

Model:

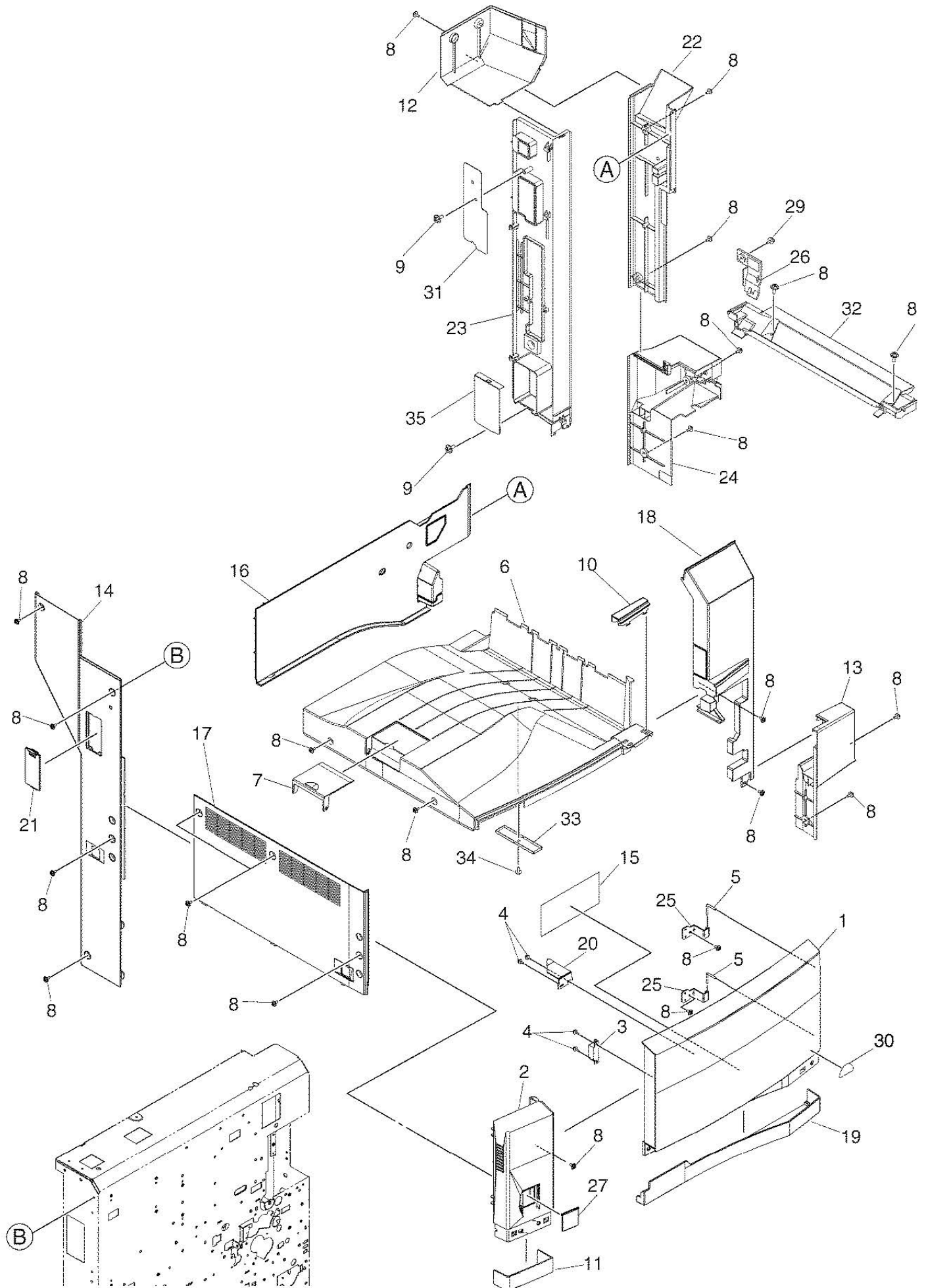
Page:

Issue

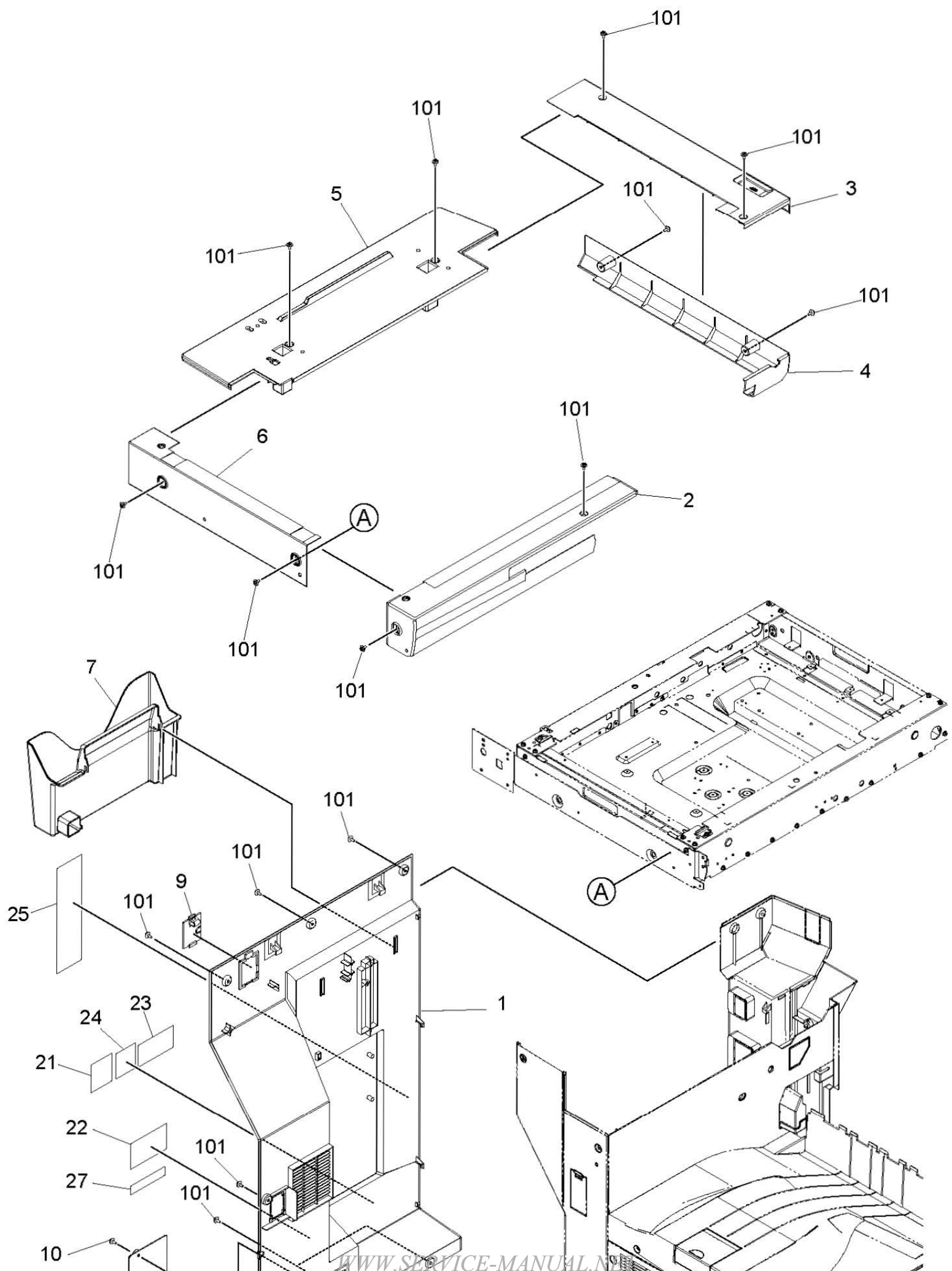
Date:

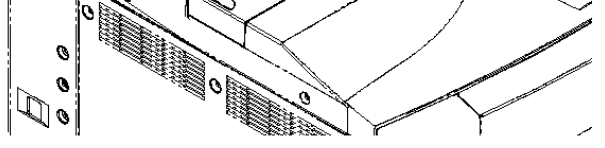
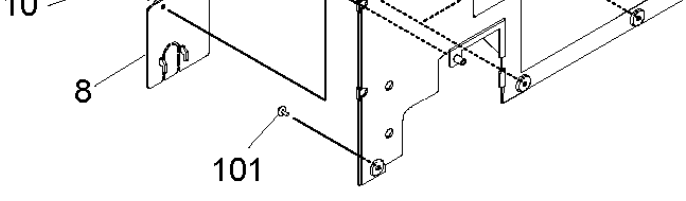
| Item No. | Parts No. | Parts Name | QTY/ Unit | QTY/ Pack | Part remarks | Catg. | Serial No. | P | I | R | BSI No. | Change | PC Board |
|----------|-------------|-----------------------|-----------|-----------|------------------------------------|-------|------------|---|---|---|---------|-----------|----------|
| 1A | 6LE84752000 | ASY-COV-FRT-UPR-202L | 1 | 1/PP | e-STUDIO202L | | | | | | | To: 1A-1 | |
| 1A-1 | 6LE84751000 | ASYS-COV-FRT-UPR-202L | 1 | 1/PP | e-STUDIO202L | | | E | - | J | G07H106 | From: 1A | |
| 1B | 6LE84751100 | ASYS-COV-FRT-UPR-232 | 1 | 1/PP | e-STUDIO232 | | | | | | | | |
| 1C | 6LE84751200 | ASYS-COV-FRT-UPR-282 | 1 | 1/PP | e-STUDIO282 | | | | | | | | |
| 1D | 6LE84751700 | ASYS-COV-FRT-UPR-282K | 1 | 1/PP | e-STUDIO282K KRD-K | | | A | - | I | G06E875 | | |
| 2 | 6LA80745000 | ASYS-COV-FRT-STY-UPR | 1 | 1/PP | | | | | | | | | |
| 2E | 6LE84751C00 | ASYS-COV-FRT-UPR-203L | 1 | 1/PP | e-STUDIO203L | | | A | - | J | G07J184 | | |
| 2F | 6LE84751D00 | ASYS-COV-FRT-UPR-233 | 1 | 1/PP | e-STUDIO233 | | | A | - | J | G07J184 | | |
| 2G | 6LE84751E00 | ASYS-COV-FRT-UPR-283 | 1 | 1/PP | e-STUDIO283 | | | A | - | J | G07J184 | | |
| 2H | 6LE84751H00 | ASYS-COV-FRT-UPR-233P | 1 | 1/PP | e-STUDIO233P (BLUE-ANGEL Model) | | | A | - | J | G07J184 | | |
| 2I | 6LE84751J00 | ASYS-COV-FRT-UPR-283P | 1 | 1/PP | e-STUDIO283P (BLUE-ANGEL Model) | | | A | - | J | G07J184 | | |
| 2J | 6LE84751G00 | ASYS-COV-FRT-UPR-283 | 1 | 1/PP | e-STUDIO283S | | | A | - | J | G07J184 | | |
| 3 | F0-01393000 | CA-0124B | 1 | 1/P | | | | | | | | | |
| 4 | X0-02247000 | S/TPP/FHEXM-3X8-NI | 4 | 10/P | | | | | | | | | |
| 5 | 6LA60573000 | PIN-COVER-FRT | 2 | 1/P | | | | | | | | | |
| 6 | 6LA80702000 | COVER-TRAY | 1 | 1/PP | | | | | | | | To: 6-1 | |
| 6-1 | 6LE84770000 | COVER-TRAY | 1 | 1/PP | | | | C | E | J | G07D832 | From: 6 | |
| 7 | 6LA80719000 | COVER-STOP-PAPER-371 | 1 | 1/P | | | | | | | | | |
| 8 | X0-02243000 | S/TPS/FHEXM-4X8-ZU3 | 23 | 10/P | | | | | | | | | |
| 9 | X0-02251000 | S/TPP/FHEXM-4X8-NI | 1 | 10/P | | | | | | | | | |
| 10 | 6LA80713000 | COVER-TRAY-SUB | 1 | 1/PP | | | | | | | | | |
| 11 | 6LA60618000 | COVER-FRT-STY-LWR | 1 | 1/P | | | | | | | | | |
| 12 | 6LE84750000 | COVER-RGT-UPR | 1 | 1/PP | | | | | | | | | |
| 13A | 6LA80982000 | COVER-HINGE-FRT | 1 | 1/P | NAD MJD AUD | | | | | | | To: 13A-1 | |
| 13A-1 | 6LA80982000 | COVER-HINGE-FRT | 1 | 1/P | With ADU (MD-0102) | | | E | - | J | G06K456 | From: 13A | |
| 13B | 6LA80711000 | COVER-HINGE-FRT-373 | 1 | 1/PP | ASD ASU SAD TWD KRD CND ARD | | | | | | | To: 13B-1 | |
| 13B-1 | 6LA80711000 | COVER-HINGE-FRT-373 | 1 | 1/PP | Without ADU (MD-0102) | | | E | - | J | G06K456 | From: 13B | |
| 14 | 6LA80802000 | COVER-LFT-RER | 1 | 1/PP | | | | | | | | | |
| 15 | 6LA91422000 | LBL-O-TONER-FRT | 1 | 1/KP | | | | | | | | | |
| 16 | 6LA80923000 | COVER-TRAY-BCK | 1 | 1/PP | | | | | | | | | |
| 17 | 6LA80763000 | ASY-COV-LFT | 1 | 1/PP | | | | | | | | | |
| 18 | 6LA80782000 | COVER-FRAME-FRT | 1 | 1/PP | | | | | | | | | |
| 19 | 6LA60614000 | COVER-FRT-LWR | 1 | 1/PP | | | | | | | | | |
| 20 | 6LA60576000 | BRKT-PUSH-SW | 1 | 1/P | | | | | | | | | |
| 21 | 6LA60630000 | COVER-LFT-RER-LGC | 1 | 1/P | | | | | | | | | |
| 22 | 6LA80709000 | ASYS-COVER-RGT | 1 | 1/PP | | | | | | | | | |
| 23 | 6LA80718000 | ASYS-COV-RGT-LFT | 1 | 1/PP | | | | | | | | | |
| 24A | 6LA80992000 | COVER-HINGE-RER | 1 | 1/P | NAD MJD AUD | | | | | | | To: 24A-1 | |
| 24A-1 | 6LA80992000 | COVER-HINGE-RER | 1 | 1/P | With ADU (MD-0102) | | | E | - | J | G06K456 | From: 24A | |
| 24B | 6LA80710000 | COVER-HINGE-RER-373 | 1 | 1/PP | ASD ASU SAD TWD KRD CND ARD | | | | | | | To: 24B-1 | |
| 24B-1 | 6LA80710000 | COVER-HINGE-RER-373 | 1 | 1/PP | Without ADU (MD-0102) | | | E | - | J | G06K456 | From: 24B | |
| 25 | 6LA83542000 | BRKT-HINGE-FRT | 2 | 1/P | | | | | | | | | |
| 26 | 6LA88204000 | COVER-SIDE-HRNS-373 | 1 | 1/P | | | | | | | | | |

| | | | | | | | | | | | |
|------|-------------|-------------------------|---|------|-----------------|--|---|---|---|----------|------------|
| 27 | 6LA60531000 | LID-SW | 1 | 1/P | | | | | | | |
| 29 | XO-02246000 | S/TPP/FHEXM-3X6-NI | 1 | 10/P | | | | | | | |
| 30 | 6LA47530000 | LBL-ENERGY-T-PS | 1 | 5/KP | | | | | | To: 30-1 | |
| 30-1 | 6LE84761000 | LBL-ENERGY-T-PS-N | 1 | 5/KP | | | | | | To: 30B | |
| 30A | 6LE84761000 | LBL-ENERGY-T-PS-N | 1 | 5/KP | eST202L:NAD ARD | | C | E | A | G06G053 | From: 30-1 |
| | | | | | eST232/282:NAD | | - | - | - | G07D794 | |
| | | | | | MJD AUD CND ARD | | | | | | |
| 30B | 6LE84761000 | LBL-ENERGY-T-PS-N | 0 | 5/KP | eST232/282:TWD | | B | - | J | G07D794 | From: 30-1 |
| | | | | | SAD ASD ASU KRD | | | | | | |
| 31 | 6LA81362000 | BRKT-COVER-R-T-371 | 1 | 1/P | | | | | | | |
| 32 | 6LA80714000 | COVER-BYPASS-CENTER-373 | 1 | 1/PP | | | | | | | |
| 33 | 6LA80729000 | BRKT-TRAY-INNER | 1 | 1/P | | | | | | | |
| 34 | XO-02251000 | S/TPP/FHEXM-4X8-NI | 1 | 10/P | | | | | | | |
| 35 | 6LE84981000 | BRKT-COV-R-PCI | 1 | 1/P | | | | | | | |

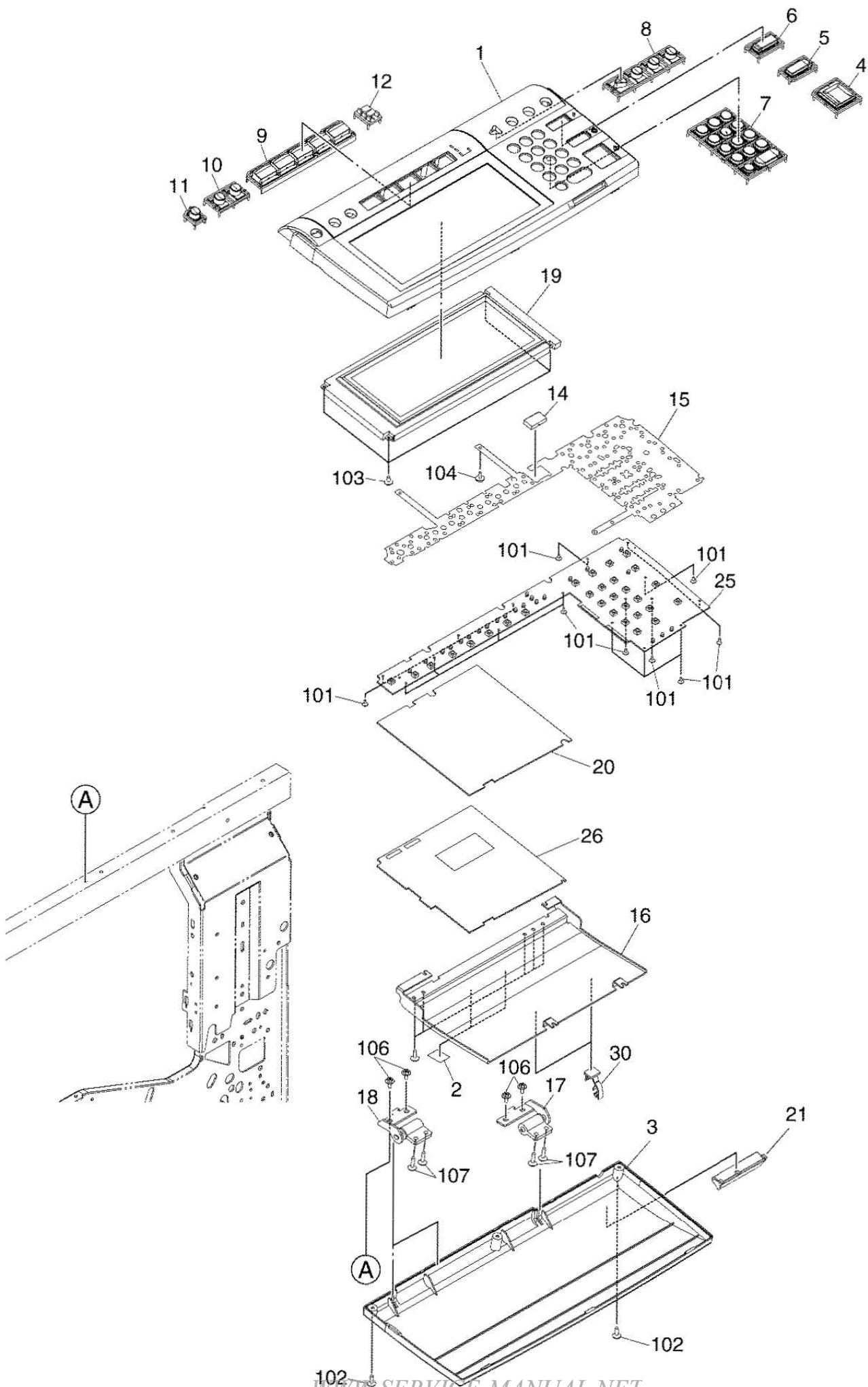


| Item No. | Parts No. | Parts Name | QTY/ Unit | QTY/ Pack | Part remarks | Catg. | Serial No. | P | I | R | BSI No. | Change | PC Board |
|----------|-------------|---------------------------|-----------|-----------|---|-------|------------|---|---|---|---------|----------|----------|
| 1A | 6LE84765000 | COVER-RER | 1 | 1/PP | NAD MJD AUD ASD ASU SAD KRD CND ARD | | | | | | | | |
| 1B | 6LA81386000 | ASYS-COV-RER-TWD | 1 | 1/PP | TWD | | | | | | | To: 1B-1 | |
| 1B-1 | 6LA81386100 | ASYS-COV-RER-377TWD | 1 | 1/PP | TWD | | | - | - | - | G06E833 | From: 1B | |
| 2 | 6LA80903000 | COVER-TP-FRT-SCAN | 1 | 1/PP | | | | | | | | | |
| 3A | 6LA86482000 | ASYS-COVER-TP-RGT-U | 1 | 1/PP | NAD MJD AUD ASD ASU SAD KRD CND ARD | | | | | | | | |
| 3B | 6LA86540000 | ASYS-COVER-TP-R-U-371-TWD | 1 | 1/PP | TWD | | | | | | | | |
| 4 | 6LA80884000 | COVER-TP-RGT-SCAN-L | 1 | 1/PP | | | | | | | | | |
| 5 | 6LE86453000 | COVER-TP-RER-SCAN-377 | 1 | 1/PP | | | | | | | | | |
| 6 | 6LE86452000 | COVER-TP-LFT-SCAN-377 | 1 | 1/PP | | | | | | | | | |
| 7 | 6LA60605000 | POCKET-MANUAL | 1 | 1/P | | | | | | | | To: 7-1 | |
| 7-1 | 6LE75819000 | POCKET-MANUAL | 1 | 1/P | | | | C | E | J | G07I139 | From: 7 | |
| 8 | 6LA80943000 | COVER-CNTR | 1 | 1/PP | | | | | | | | | |
| 9 | 6LA60633000 | COVER-DF-CONECT | 1 | 1/P | | | | | | | | | |
| 10 | X0-02251000 | S/TPP/FHEXM-4X8-NI | 1 | 10/P | | | | | | | | | |
| 21A | 44204604000 | LBL-SERVICE-45 | 1 | 5/P | NAD MJD AUD ASD ASU SAD ARD | | | | | | | | |
| 21B | 6LA56227000 | LBL-SERVICE-45C | 1 | 5/KP | CND | | | | | | | | |
| 21C | 6LA15072000 | LBL-SERVICE-KR | 1 | 1/KP | KRD | | | | | | | | |
| 21D | 6LA48504000 | LBL-SERVICE-45-TWD | 1 | 5/KP | TWD | | | | | | | | |
| 22A | 6LA47529000 | LBL-LASER | 1 | 1/KP | NAD MJD AUD ASD ASU SAD ARD | | | | | | | | |
| 22B | 6LA56226000 | LBL-LASER-C | 1 | 5/KP | CND | | | | | | | | |
| 22C | 6LA15055000 | LBL-LASER-KR | 1 | 5/P | KRD | | | | | | | | |
| 22D | 6LA48505000 | LBL-LASER-TWD | 1 | 5/KP | TWD | | | | | | | | |
| 23A | 4400740530 | LABEL-FCC | 1 | 10/KP | NAD | | | | | | | | |
| 24A | 4408860880 | LABEL-CANADA-A | 1 | 5/P | NAD | | | | | | | | |
| 25B-1 | 6LE84756000 | LBL-PM-37X | 1 | 1/KP | MJD | | | | | | | | |
| 26B | 4400685400 | LABEL-CHINA | 1 | 5/P | ASD ASU KRD ARD | | | | | | | | |
| 27A | 6LE90046000 | LBL-MERCURY-US | 1 | 1/KP | NAD | | | A | - | J | G07C752 | | |
| 101 | X0-02243000 | S/TPS/FHEXM-4X8-ZU3 | 17 | 10/P | | | | | | | | | |



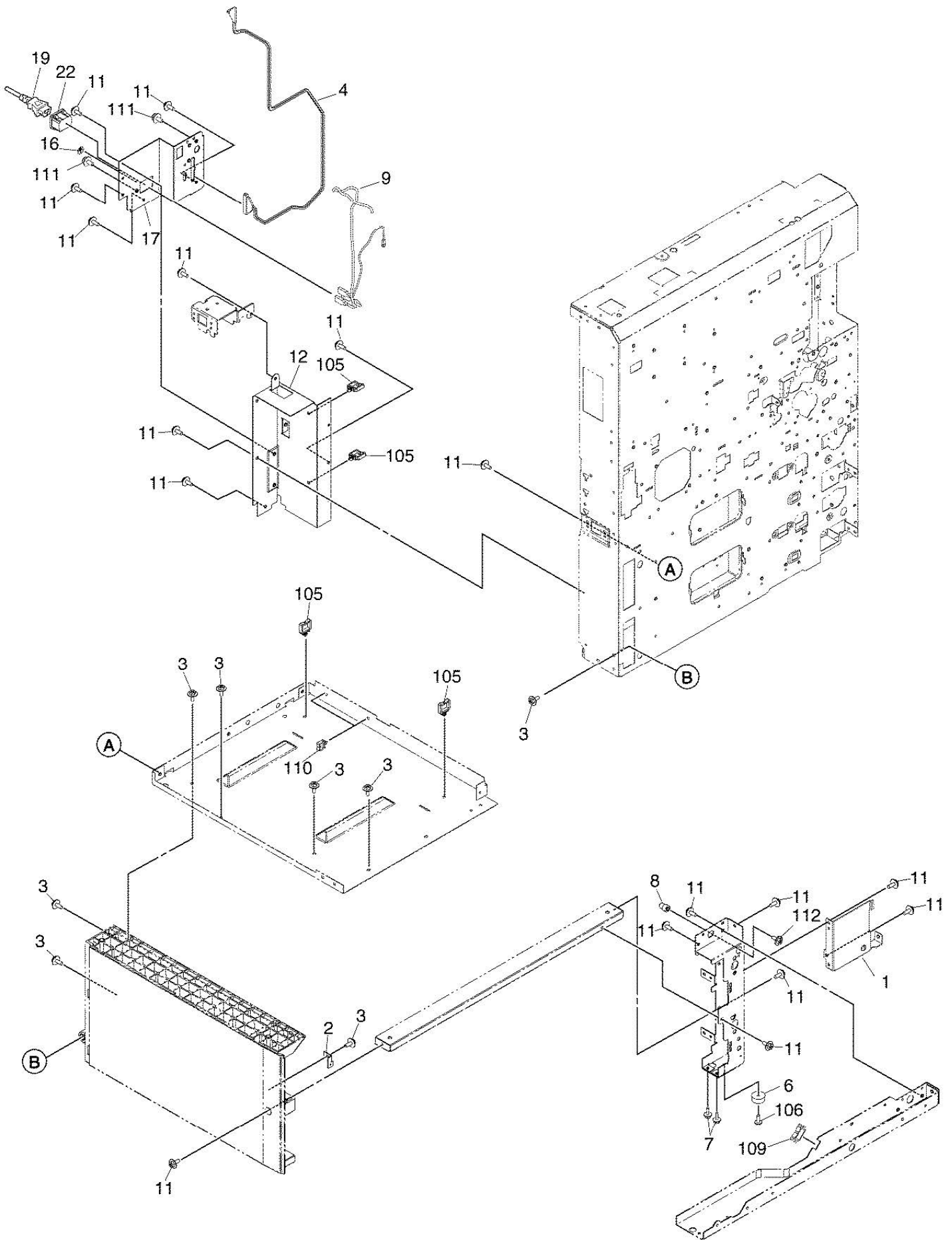


| Item No. | Parts No. | Parts Name | QTY/ Unit | QTY/ Pack | Part remarks | Catg. | Serial No. | P | I | R | BSI No. | Change | PC Board |
|----------|-------------|------------------------|--------------|--------------|---|-------|---------------|---|---|---|---------|----------|-------------|
| 1A | 6LE46103000 | ASYS-COV-CONPANE-UPR-U | 1 | 1/PP | NAD MJD AUD ASD ASU SAD ARD | | | | | | | To: 1A-1 | |
| 1A-1 | 6LE46105000 | ASYS-PANEL-U | 1 | 1/PP | NAD MJD AUD ASD ASU SAD ARD | | | C | B | J | G06L485 | From: 1A | |
| 1B | 6LE46103200 | ASYS-COV-CONPANE-UPR-C | 1 | 1/PP | CND | | | | | | | To: 1B-1 | |
| 1B-1 | 6LE46105200 | ASYS-PANEL-C | 1 | 1/PP | CND | | | C | B | J | G06L485 | From: 1B | |
| 1C | 6LE46103400 | ASYS-COV-CONPANE-UPR-K | 1 | 1/PP | KRD | | | | | | | To: 1C-1 | |
| 1C-1 | 6LE46105400 | ASYS-PANEL-K | 1 | 1/PP | KRD | | | C | B | J | G06L485 | From: 1C | |
| 1D | 6LE46103300 | ASYS-COV-CONPANE-UPR-T | 1 | 1/PP | TWD | | | | | | | To: 1D-1 | |
| 1D-1 | 6LE46105300 | ASYS-PANEL-T | 1 | 1/PP | TWD | | | C | B | J | G06L485 | From: 1D | |
| 2 | 6LA37038000 | SHEET-BLIND | 2 | 5/P | | | | | | | | | |
| 3 | 6LA37004000 | COVER-CONPANE-LWR | 1 | 1/PP | | | | | | | | | |
| 4 | 6LA37007000 | KEY-START | 1 | 1/C | | | | | | | | | |
| 5 | 6LA37008000 | KEY-STOP | 1 | 1/C | | | | | | | | | |
| 6 | 6LA37009000 | KEY-FC | 1 | 1/D | | | | | | | | | |
| 7 | 6LA37010000 | KEY-TEN | 1 | 1/C | | | | | | | | | |
| 8 | 6LA37011000 | KEY-FUNCTION-A | 1 | 1/D | | | | | | | | | |
| 9 | 6LA37012000 | KEY-FUNCTION-B | 1 | 1/D | | | | | | | | | |
| 10 | 6LA37013000 | KEY-FUNCTION-C | 1 | 1/D | | | | | | | | | |
| 11 | 6LA37014000 | KEY-HELP | 1 | 1/D | | | | | | | | | |
| 12 | 6LA37015000 | LID-LED-A | 1 | 1/D | | | | | | | | | |
| 13 | 6LA37016000 | LID-LED-B | 1 | 1/P | | | | | | | | To: 13-1 | |
| 13-1 | 6LA37016000 | LID-LED-B | 1 | 1/P | | | | B | - | J | G06L485 | From: 13 | |
| 14 | 6LA37017000 | PLATE-DIFFUSION | 5 | 1/P | | | | | | | | | |
| 15 | 6LA80200000 | MYLAR-SHIELD-371 | 1 | 1/KP | | | | | | | | | |
| 16 | 6LA37019000 | SHIELD-CONPANE | 1 | 1/D | | | | | | | | | |
| 17 | 6LA80106000 | ASYS-HINGE-R | 1 | 1/P | | | | | | | | | |
| 18 | 6LA80107000 | ASYS-HINGE-L | 1 | 1/P | | | | | | | | | |
| 19 | 6LE46102000 | ASYS-PNL-TOUCH-410 | 1 | 1/C | | | | | | | | | |
| 20 | 6LE46101000 | SHILD-SHEET | 1 | 1/KP | | | | | | | | | |
| 21 | 6LA29597000 | STOPPER-OPE | 1 | 1/P | | | | | | | | | |
| 25 | 6LE47120000 | PWA-F-KEY-410 | 1 | 1/SB | | | | | | | | To: 25-1 | |
| 25-1 | 6LE48697000 | PWA-F-KEY-410 | 1 | 1/C | | | | C | B | D | G06L484 | From: 25 | |
| 26 | 6LE48532000 | PWA-F-DSP-410 | 1 | 1/SB | | | | | | | | To: 26B | |
| 26A | 6LE48532000 | PWA-F-DSP-410 | 1 | 1/SB | NAD MJD AUD ASD ASU SAD KRD CND ARD | | | - | - | - | G06E833 | From: 26 | |
| 26B | 6LE87774000 | PWA-F-DSP-377T | 1 | 1/SB | TWD | | | - | - | - | G06E833 | From: 26 | |
| 30 | F0-01213000 | EB-6U | 2 | 5/P | | | | | | | | | |
| 101 | X0-02094000 | S/TPB/BID-2X6-NI | 16 | 10/P | | | | | | | | | |
| 102 | X0-02095000 | S/TPP/BRZ-3X10-NI | 7 | 10/P | | | | | | | | | |
| 103 | X0-02096000 | S/TPP/BRZ-3X8-NI | 4 | 10/P | | | | | | | | | |
| 104 | X0-02093000 | S/PAN/SWWS-M4X6-NI | 1 | 10/P | | | | | | | | | |
| 106 | X0-01771000 | S/PAN/SWWP-M4X12-NI | 4 | 10/P | | | | | | | | | |





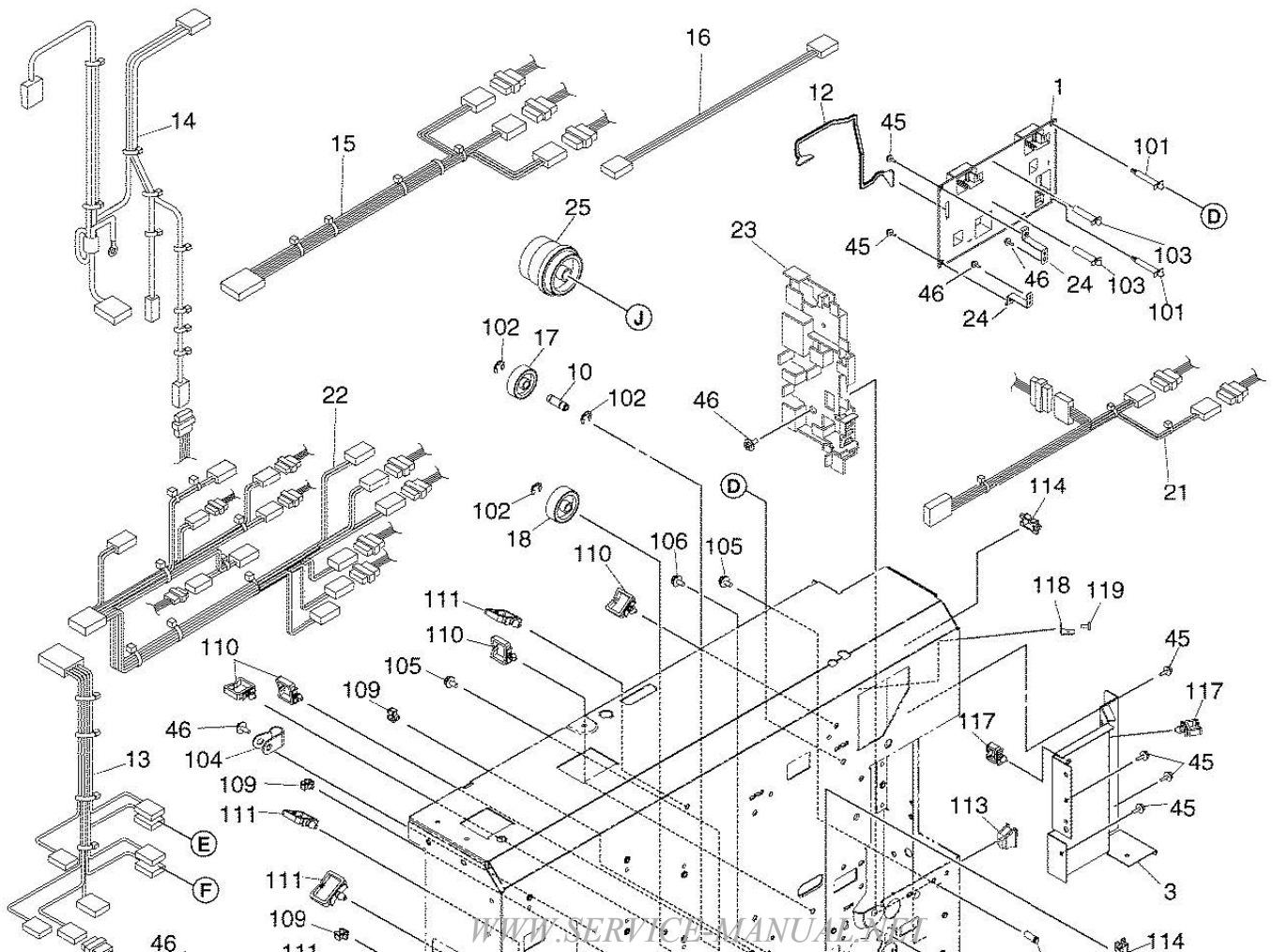
| Item No. | Parts No. | Parts Name | QTY/ Unit | QTY/ Pack | Part remarks | Catg. | Serial No. | P | I | R | BSI No. | Change | PC Board |
|----------|-------------|----------------------|-----------|-----------|---|-------|------------|---|---|---|---------|-------------|----------|
| 1 | 6LA78532000 | ASYS-BRKT-HING-ADU-F | 1 | 1/P | | | | | | | | | |
| 2 | 6LA65302000 | BRKT-JOINT-PFP | 1 | 1/P | | | | | | | | | |
| 3 | X0-02251000 | S/TPP/FHEXM-4X8-NI | 7 | 10/P | | | | | | | | | |
| 4A | 6LA89412000 | HRNS-LGC-PFP-371 | 1 | 1/P | NAD MJD AUD ASD ASU SAD KRD CND ARD | | | | | | | | |
| 4B | 6LA89485000 | HRNS-LGC-PFP-371TWD | 1 | 1/P | TWD | | | | | | | | |
| 6 | 41306501000 | FOOT-MAIN-AT | 1 | 1/P | | | | | | | | | |
| 8 | 6LA83414000 | STUD-COV-SIDE-F | 1 | 1/P | | | | | | | | | |
| 9 | 6LA89437000 | HRNS-INLT-371 | 1 | 1/P | | | | | | | | | |
| 11 | X0-02243000 | S/TPS/FHEXM-4X8-ZU3 | 23 | 10/P | | | | | | | | To: 11-1 | |
| 11-1 | X0-02243000 | S/TPS/FHEXM-4X8-ZU3 | 22 | 10/P | | | | D | - | J | G06J310 | From: 11 | |
| 12 | 6LA81360000 | COVER-CSST-BACK | 1 | 1/PP | | | | | | | | | |
| 16 | 6LA91550000 | MARK-EARTH-VDE-371 | 1 | 10/P | | | | | | | | | |
| 17 | 6LA81326000 | BRKT-INLET-371 | 1 | 1/P | | | | | | | | | |
| 19A | 6LA55883000 | CABLE-P-INLET-US | 1 | 1/P | NAD SAD | | | | | | | | |
| 19B | 6LA72426000 | CABLE-P-INLET-EUR | 1 | 1/P | KRD | | | | | | | To: 19B-1 | |
| 19B-1 | 6LE95790000 | CABLE-P-INLET-EUR | 1 | 1/P | KRD | | | C | B | H | G07D810 | From: 19B | |
| 19C | 6LA56818000 | CABLE-P-INLET-UK | 1 | 1/P | ASU | | | | | | | To: 19C-1 | |
| 19C-1 | 6LE87775000 | CABLE-P-INLET-UK | 1 | 1/P | ASU | | | C | E | H | G06J373 | From: 19C | |
| 19D | 6LA56225000 | CABLE-INLET-CCC | 1 | 1/P | CND | | | | | | | | |
| 19E | 6LA56602000 | CABLE-P-INLET-TWD | 1 | 1/P | TWD | | | | | | | To: 19E-1 | |
| 19E-1 | 6LE95789000 | CABLE-P-INLET-TWD | 1 | 1/P | TWD | | | C | B | H | G07D810 | From: 19E | |
| 19F | 6LA72427000 | CABLE-P-INLET-AU | 1 | 1/P | AUD | | | | | | | To: 19F-1 | |
| 19F-1 | 6LE95791000 | CABLE-P-INLET-AU | 1 | 1/P | AUD | | | C | B | H | G07D810 | From: 19F | |
| 19G-1 | 6LA72426000 | CABLE-P-INLET-EUR | 1 | 1/P | MJD ASD | | | | | | | To: 19G-2 | |
| 19G-2 | 6LE95790000 | CABLE-P-INLET-EUR | 1 | 1/P | MJD ASD | | | C | B | H | G07D810 | From: 19G-1 | |
| 22 | EO-06067000 | NC-179-F6.35 | 1 | 1/P | | | | | | | | | |
| 105 | FO-01298000 | WS-2N-VO | 4 | 5/P | | | | | | | | | |
| 106 | X0-02074000 | S/TPS/BID-4X8-ZU3 | 1 | 10/P | | | | | | | | | |
| 109 | FO-00041000 | EDS-2 | 1 | 5/P | | | | | | | | To: 109-1 | |
| 109-1 | FO-01248000 | ESC-0912 | 1 | 10/P | | | | C | E | F | G07B689 | From: 109 | |
| 110 | FO-00024000 | LWS-1U | 2 | 5/P | | | | | | | | | |
| 111 | X0-00169000 | S/PAN/SWWP-M4X8-BSNI | 2 | 10/P | | | | | | | | | |
| 112 | X0-02235000 | S/FHEXM-M4X8-NI | 1 | 10/P | | | | A | - | J | G06J310 | | |



| Item No. | Parts No. | Parts Name | QTY/ Unit | QTY/ Pack | Part remarks | Catg. | Serial No. | P | I | R | BSI No. | Change | PC Board |
|----------|-------------|--------------------------|--------------|--------------|---|-------|---------------|---|---|---|---------|-----------|-------------|
| 3 | 6LA85861000 | HOLDER-RGST-F | 1 | 1/P | | | | | | | | | |
| 4 | 6LA88010000 | LEVER-TNR-C | 1 | 1/P | | | | | | | | | |
| 5 | 6LA88014000 | SPG-LEVER-TNR-C | 1 | 1/P | | | | | | | | | |
| 6A | E0-08368000 | AJ8R2004ZCF | 1 | 1/D | NAD MJD AUD ASD ASU SAD KRD CND ARD | | | | | | | To: 6A-1 | |
| 6A-1 | E0-08368000 | AJ8R2004ZCF | 1 | 1/D | NAD MJD AUD ASD ASU SAD KRD CND ARD TWD | | | C | - | J | G06L483 | From: 6A | |
| 6B | 44205162000 | SZ-AJ8R2004ZC | 1 | 1/D | TWD | | | | | | | To: 6B-1 | |
| 6B-1 | 44205162000 | SZ-AJ8R2004ZC | 0 | 1/D | TWD | | | B | - | J | G06L483 | From: 6B | |
| 7A | 6LE88050000 | HRNS-MAIN-SW-377 | 1 | 1/P | NAD MJD AUD ASD ASU SAD KRD CND ARD | | | | | | | To: 7A-1 | |
| 7A-1 | 6LE88050000 | HRNS-MAIN-SW-377 | 1 | 1/P | NAD MJD AUD ASD ASU SAD KRD CND ARD TWD | | | C | - | J | G06L483 | From: 7A | |
| 7B | 6LA89438000 | HRNS-MAIN-SW-371 | 1 | 1/P | TWD | | | | | | | To: 7B-1 | |
| 7B-1 | 6LA89438000 | HRNS-MAIN-SW-371 | 0 | 1/P | TWD | | | B | - | J | G06L483 | From: 7B | |
| 8 | 6LA89487000 | HRNS-RSTSW-371 | 1 | 1/P | | | | | | | | | |
| 10 | 44200855000 | STUD-DRSW-TR | 3 | 1/P | | | | | | | | | |
| 11 | X0-02239000 | S/TPS/FHEXM-3X8- ZU3 | 2 | 10/P | | | | | | | | | |
| 12 | 6LA35525000 | BRKT-HANDLE | 1 | 1/P | | | | | | | | | |
| 13 | 6LA35534000 | HANDLE | 1 | 1/P | | | | | | | | | |
| 14 | 6LA65137000 | BRKT-SW-MAIN | 1 | 1/P | | | | | | | | | |
| 15 | 6LA83451000 | BRKT-DOOR-SW-371 | 1 | 1/P | | | | | | | | | |
| 16 | 44200852000 | GUIDE-SW-DOOR | 1 | 1/P | | | | | | | | | |
| 17 | 44200854000 | STUD-DOOR-SW | 1 | 5/P | | | | | | | | | |
| 18 | 6LA80823000 | COVER-FRAME-FRT- BCK | 1 | 1/P | | | | | | | | | |
| 19A | 6LA85424100 | ASY-DHTR-DRUM-371- U | 1 | 1/C | SAD TWD | | | | | | | | |
| 19B | 6LA85424200 | ASY-DHTR-DRUM-371- E | 1 | 1/C | AUD ASD ASU KRD CND ARD | | | | | | | | |
| 20 | 6LA83415000 | STUD-COV-SIDE | 1 | 5/P | | | | | | | | | |
| 21 | 6LA83522000 | ASYS-EXIT-FRM-F | 1 | 1/P | | | | | | | | | |
| 22 | 6LA83543000 | BRKT-DOOR-SW-SUB | 1 | 1/P | | | | | | | | | |
| 23 | 6LA83533000 | BRKT-ADJ-FUS | 1 | 1/P | | | | | | | | | |
| 24 | X0-02243000 | S/TPS/FHEXM-4X8- ZU3 | 19 | 10/P | | | | | | | | | |
| 25 | 6LA81500000 | GUIDE-DOOR-SW-SUB | 1 | 1/P | | | | | | | | | |
| 26 | 6LA83801000 | COVER-DHTR-HRNS- DRUM | 1 | 1/P | | | | | | | | | |
| 27 | 6LA83802000 | COVER-DHTR-DRUM- 371 | 1 | 1/P | | | | | | | | | |
| 28A | 6LA91431000 | LBL-CAU-LASER | 1 | 1/K | P NAD MJD AUD ASD ASU SAD TWD ARD | | | | | | | | |
| 28B | 6LA91541000 | LBL-CAU-LASER-CND | 1 | 1/P | CND | | | | | | | | |
| 28C | 6LA83446000 | LBL-CAU-LASER-373K | 1 | 1/K | P KRD | | | | | | | | |
| 102 | E0-01853000 | CS1A-B2CA | 1 | 1/D | SWITCH | | | | | | | | |
| 103 | FO-00043000 | UAMS-05SN-W | 5 | 5/P | | | | | | | | | |
| 104 | FO-00045000 | EDS-1 | 1 | 10/P | | | | | | | | To: 104-1 | |
| 104-1 | FO-01248000 | ESC-0912 | 1 | 10/P | | | | C | E | F | G07B689 | From: 104 | |
| 105 | FO-01298000 | WS-2N-V0 | 2 | 5/P | | | | | | | | | |
| 106 | X0-00077000 | S/PAN/SWWP-M3X8- NI | 1 | 10/P | | | | | | | | | |
| 107 | 6LA08935000 | SCR-M3X6BISR-NI | 1 | 10/P | | | | | | | | | |
| 108 | E0-08442000 | FA1L-AA22 | 1 | 1/D | SWITCH | | | | | | | | |
| 109 | X0-00965000 | RR/E-4-SS | 1 | 10/P | | | | | | | | | |

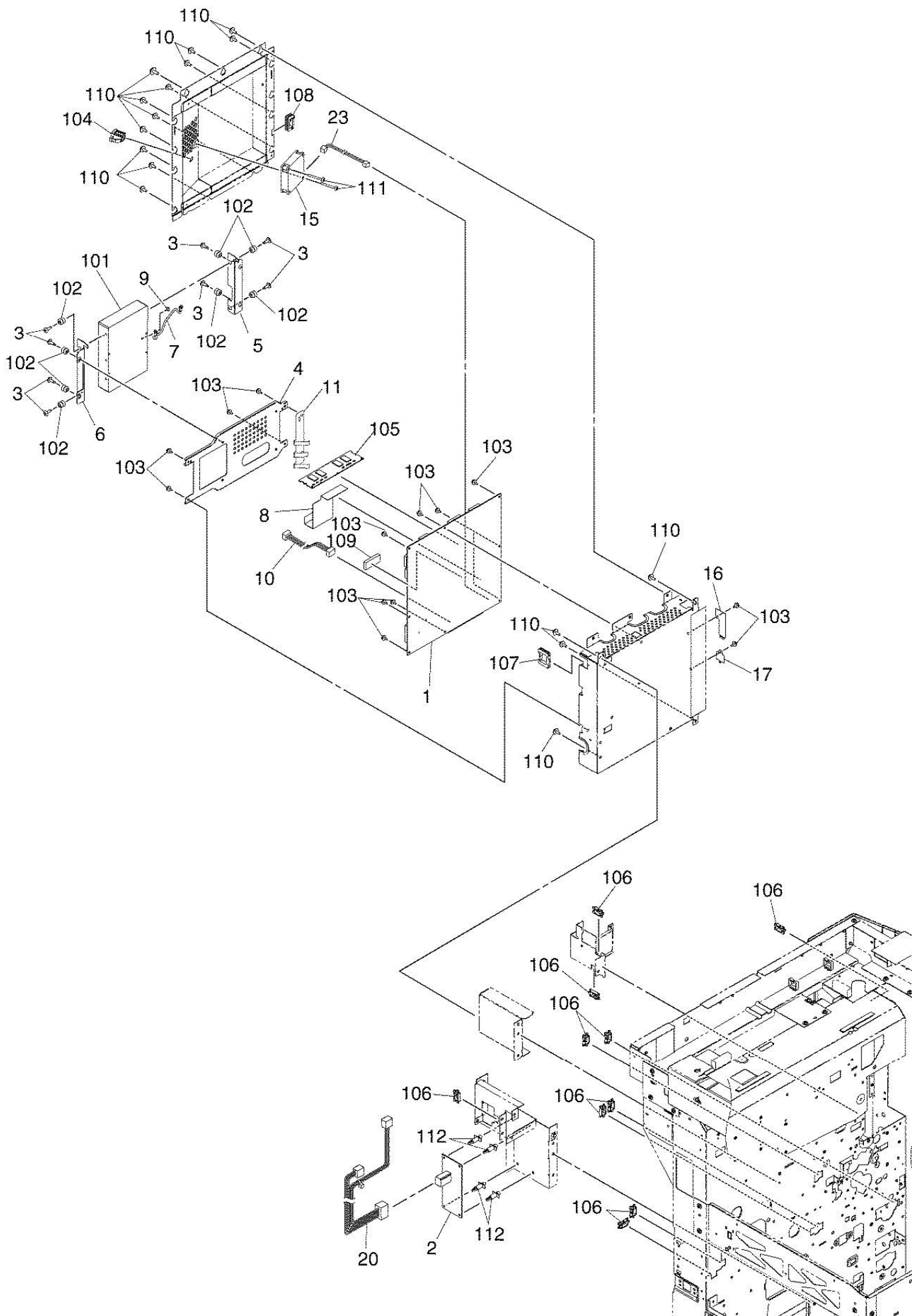
| Item No. | Parts No. | Parts Name | QTY/ Unit | QTY/ Pack | Part remarks | Catg. | Serial No. | P | I | R | BSI No. | Change | PC Board |
|----------|-------------|--------------------------|--------------|--------------|--|-------|---------------|---|---|---|---------|-----------|-------------|
| 1 | 6LA89173000 | PS-HVT-371 | 1 | 1/C | | | | | | | | | |
| 2 | 6LA83424000 | BRKT-DHTR | 1 | 1/P | | | | | | | | To: 2B | |
| 2A | 6LA83424000 | BRKT-DHTR | 1 | 1/P | NAD MJD AUD ASD ASU SAD KR D CND ARD | | | - | - | - | G06E833 | From: 2 | |
| 2B | 6LE85667000 | ASYS-BRKT-DHTR | 1 | 1/P | TWD | | | - | - | - | G06E833 | From: 2 | |
| 3 | 6LA83527000 | BRKT-FRAME-ADU | 1 | 1/P | | | | | | | | | |
| 4 | 6LA35525000 | BRKT-HANDLE | 1 | 1/P | | | | | | | | | |
| 5 | 6LA35534000 | HANDLE | 1 | 1/P | | | | | | | | | |
| 6 | 41306501000 | FOOT-MAIN-AT | 2 | 1/P | | | | | | | | | |
| 7 | 6LA89111000 | FAN-D-3110KL-05W- B60 | 1 | 1/D | | | | | | | | | |
| 8 | 6LA83415000 | STUD-COV-SIDE | 1 | 5/P | | | | | | | | | |
| 9 | 6LA83425000 | STUD-COV-SIDE-R | 1 | 1/P | | | | | | | | | |
| 10 | 6LA83554000 | STUD-DRV-24-BYP- 371 | 1 | 1/P | | | | | | | | | |
| 11 | 6LA83392000 | STUD-FIX-FEED-UNIT | 2 | 1/P | | | | | | | | | |
| 12 | 6LE88060000 | HRNS-LGC-HVPS-377 | 1 | 1/P | | | | | | | | | |
| 13 | 6LA89409000 | HRNS-LGC-FEDU-371 | 1 | 1/P | | | | | | | | | |
| 14A | 6LE88067000 | HRNS-PWR-FIN-377- W | 1 | 1/P | NAD MJD AUD ASD ASU SAD KR D CND ARD | | | | | | | | |
| 14B | 6LA89486000 | HRNS-PWR-FIN- 371TWD | 1 | 1/P | TWD | | | | | | | To: 14B-1 | |
| 14B-1 | 6LE88072000 | HRNS-PWR-FIN-377- TWD | 1 | 1/P | TWD | | | - | - | - | G06E833 | From: 14B | |
| 15 | 6LE88063000 | HRNS-LGC-ADU-377 | 1 | 1/P | | | | | | | | | |
| 16 | 6LA89461000 | HRNS-TNR-FULL-371 | 1 | 1/P | | | | | | | | | |
| 17 | 6LA79003000 | GEAR-10S024-06-DRV | 1 | 1/P | | | | | | | | | |
| 18 | 6LA79004000 | GEAR-10S026-06-DRV | 1 | 1/P | | | | | | | | | |
| 19 | 6LE88057000 | HRNS-LGC-POL-377 | 1 | 1/P | | | | | | | | | |
| 20 | 6LA89439000 | HRNS-LP-ACIN-371 | 1 | 1/P | | | | | | | | | |
| 21 | 6LE88061000 | HRNS-LGC-EXIT-377 | 1 | 1/P | | | | | | | | | |
| 22 | 6LE88062000 | HRNS-LGC-MOT-377 | 1 | 1/P | | | | | | | | | |
| 23 | 6LA83402000 | GUIDE-HRNS-371 | 1 | 1/PP | | | | | | | | | |
| 24 | 6LA81350000 | BRKT-HVT-371 | 2 | 1/P | | | | | | | | | |
| 25 | 6LA83048000 | GG10S040-10S034 | 1 | 1/P | | | | | | | | | |
| 26 | 6LA83418000 | COV-DUCT-FAN-REAR | 1 | 1/P | | | | | | | | | |
| 27 | 6LA83422000 | DUCT-FAN-REAR-2 | 1 | 1/P | | | | | | | | | |
| 28 | 6LA83490000 | FILTER-OZONE-FRM- 371 | 1 | 1/C | | | | | | | | | |
| 37 | 6LA82254000 | ASYS-HLDR-DEV-371 | 1 | 1/P | | | | | | | | | |
| 45 | X0-02239000 | S/TPS/FHEXM-3X8- ZU3 | 5 | 10/P | | | | | | | | | |
| 46 | X0-02243000 | S/TPS/FHEXM-4X8- ZU3 | 4 | 10/P | | | | | | | | | |
| 47 | 44204394000 | SCREW20*D23 | 3 | 10/P | | | | | | | | | |
| 52 | 6LA68913000 | SW-DE3LAASB-TNR | 1 | 1/C | | | | | | | | | |
| 53 | 6LA03099000 | COVER-SW-340 | 1 | 1/P | | | | | | | | To: 53-1 | |
| 53-1 | 6LE86950000 | COVER-SW-370 | 1 | 1/P | | | | C | B | D | G06J307 | From: 53 | |
| 101 | FO-00315000 | SPLSN-22U | 2 | 5/P | | | | | | | | | |
| 102 | X0-00966000 | RR/E-5-SS | 3 | 10/P | | | | | | | | | |
| 103 | FO-00330000 | SPSN-22U | 2 | 5/P | | | | | | | | | |
| 104 | FO-00119000 | EMT-4N | 2 | 1/P | | | | | | | | | |
| 105 | X0-00077000 | S/PAN/SWWP-M3X8- NI | 4 | 10/P | | | | | | | | | |
| 106 | X0-00164000 | S/PAN/SWWP-M4X8- NI | 1 | 10/P | | | | | | | | | |
| 107 | X0-02074000 | S/TPS/BID-4X8-ZU3 | 2 | 10/P | | | | | | | | | |
| 108 | X0-02114000 | S/TPS/PAN-4X32-ZU3 | 2 | 10/P | | | | | | | | | |
| 109 | FO-00043000 | UAMS-05SN-W | 3 | 5/P | | | | | | | | | |
| 110 | FO-01298000 | WS-2N-VO | 9 | 5/P | | | | | | | | | |
| 111 | FO-01252000 | WS-4W | 5 | 5/P | | | | | | | | | |
| 112 | EO-08733000 | 55533-1219 | 2 | 5/P | | | | | | | | | |
| 113 | EO-01853000 | CS1A-B2CA | 4 | 1/D | SWITCH | | | | | | | | |
| 114 | FO-00045000 | EDS-1 | 8 | 10/P | | | | | | | | To: 114-1 | |

| | | | | | | | | | | | | |
|-------|-------------|------------------|---|------|--|--|--|---|---|---|---------|-----------|
| 114-1 | FO-01248000 | ESC-0912 | 8 | 10/P | | | | C | E | F | G07B689 | From: 114 |
| 115 | FO-00034000 | EDS-2323U | 1 | 5/P | | | | | | | | |
| 117 | FO-00024000 | LWS-1U | 2 | 5/P | | | | | | | | |
| 118 | E0-06031000 | 42117-2 | 1 | 5/P | | | | | | | | |
| 119 | X0-00676000 | S/TPS/BID-3X6-NI | 1 | 10/P | | | | | | | | |



| Item No. | Parts No. | Parts Name | QTY/ Unit | QTY/ Pack | Part remarks | Catg. | Serial No. | P | I | R | BSI No. | Change | PC Board |
|----------|-------------|--------------------------|--------------|--------------|--|-------|---------------|---|---|---|---------|----------|-------------|
| 1 | 6LA83042000 | ASYS-DRV-FEED-MAIN | 1 | 1/P | | | | | | | | | |
| 2 | 6LA83114000 | GEAR-10S028-06 | 1 | 1/P | | | | | | | | | |
| 3 | 6LA83115000 | GG10S022-10S031 | 1 | 1/P | | | | | | | | | |
| 4 | 6LA83113000 | GEAR-10S026-06 | 1 | 1/P | | | | | | | | | |
| 5 | 6LA83112000 | GG10S025-10S032 | 1 | 1/P | | | | | | | | | |
| 6 | 6LA83056000 | GG10S026/10S040-371 | 1 | 1/P | | | | | | | | | |
| 7 | 6LA83086000 | SHAFT-ID-CLT-RELAY | 1 | 1/P | | | | | | | | | |
| 8 | 6LA82840000 | CLUTCH-G28-08D-35E | 2 | 1/D | | | | | | | | | |
| 9 | 6LA82803000 | BKT-DRV-FED-SUB-N | 1 | 1/P | | | | | | | | | |
| 10 | 4407972860 | STOP-RING-6-5 | 5 | 5/P | | | | | | | | | |
| 11 | 6LA65698000 | BUSH-8X12X8F | 4 | 5/P | | | | | | | | | |
| 12 | 4400336190 | STOP-RING-8 | 2 | 5/P | | | | | | | | | |
| 13 | X0-02238000 | S/TPS/FHEXM-3X6-ZU3 | 3 | 10/P | | | | | | | | | |
| 14 | 6LA82002000 | TERMINAL-DEV | 1 | 1/P | | | | | | | | | |
| 15 | 6LA82004000 | PLT-TERM-DEV | 1 | 1/P | | | | | | | | | |
| 16 | 6LA82006000 | SPC-TERM | 1 | 5/P | | | | | | | | | |
| 17 | X0-02247000 | S/TPP/FHEXM-3X8-NI | 1 | 10/P | | | | | | | | | |
| 18 | 6LA83516000 | BRKT-REINF-STY-TP-R1 | 1 | 1/P | | | | | | | | | |
| 19 | 6LE85660000 | BRKT-SCAN-HRNS | 1 | 1/PP | | | | | | | | To: 19B | |
| 19A | 6LE85660000 | BRKT-SCAN-HRNS | 1 | 1/PP | NAD MJD AUD ASD ASU SAD KR D CND ARD | | | - | - | - | G06E833 | From: 19 | |
| 19B | 6LE85659000 | ASYS-BRKT-SCN-H-377T | 1 | 1/PP | TWD | | | - | - | - | G06E833 | From: 19 | |
| 20 | X0-02243000 | S/TPS/FHEXM-4X8-ZU3 | 9 | 10/P | | | | | | | | | |
| 21 | 6LA81312000 | BRKT-REINF-STY-TP2 | 1 | 1/P | | | | | | | | To: 21B | |
| 21A | 6LA81312000 | BRKT-REINF-STY-TP2 | 1 | 1/P | NAD MJD AUD ASD ASU SAD KR D CND ARD | | | - | - | - | G06E833 | From: 21 | |
| 21B | 6LA86480200 | ASYS-BRKT-REINF-STY-377T | 1 | 1/P | TWD | | | - | - | - | G06E833 | From: 21 | |
| 22 | 6LA83403000 | COVER-CONECT-371 | 1 | 1/P | | | | | | | | | |
| 23 | 6LA82292000 | GEAR-8H31-10H20-6 | 1 | 1/P | | | | | | | | | |
| 24 | 44201681000 | GG10S031/10S038 | 1 | 1/P | | | | | | | | | |
| 25 | 6LA82290000 | GEAR-10H23-PS3M27-4 | 1 | 1/P | | | | | | | | | |
| 26 | 6LA82279000 | GEAR-10H27-PS2M32-6 | 1 | 1/P | | | | | | | | | |
| 27 | 6LA82281000 | GEAR-10H27-PS2M41-6 | 1 | 1/P | | | | | | | | | |
| 28 | 6LA82296000 | CPG-DRV-CLN | 1 | 1/P | | | | | | | | | |
| 29 | 6LA82220000 | CPG-GR-JOINT-S | 1 | 1/P | | | | | | | | | |
| 30 | 6LA82258000 | ASYB-BLT-TENS-C/F | 1 | 1/P | | | | | | | | | |
| 31 | 6LA82264000 | ASYB-BLT-TENS-RGT | 1 | 1/P | | | | | | | | | |
| 32 | 6LA86409000 | GSKT-18-10-40-N | 1 | 1/P | | | | | | | | | |
| 33 | 6LA82285000 | ASYS-BRKT-CLN-FUS | 1 | 1/P | | | | | | | | | |
| 34 | 6LA82224000 | ASYS-GEAR-8M35-8-JOIN-B | 1 | 1/P | | | | | | | | | |
| 35 | 6LA82261000 | ASYS-GEAR-JOIN-BLT | 1 | 1/P | | | | | | | | | |
| 36 | 6LA82267000 | ASYS-GEAR-RGST | 1 | 1/P | | | | | | | | | |
| 37 | 6LA82294000 | GEAR-10H29-6-CLN | 1 | 1/P | | | | | | | | | |
| 38 | 6LA82252000 | BLT-SY-S2M-250-4 | 1 | 1/P | | | | | | | | | |
| 39 | 6LA82277000 | BLT-SY-S2M-266-4 | 1 | 1/P | | | | | | | | | |
| 40 | 6LA82275000 | BLT-SY-S3M-222-4 | 1 | 1/P | | | | | | | | | |
| 41 | 44201746000 | GEAR-10S033-06 | 1 | 1/P | | | | | | | | | |
| 42 | 6LA82243000 | BRKT-DRV-FEED-A | 1 | 1/P | | | | | | | | | |
| 43 | 44201683000 | GEAR-10S034-06 | 1 | 1/P | | | | | | | | | |
| 44 | X0-02238000 | S/TPS/FHEXM-3X6-ZU3 | 7 | 10/P | | | | | | | | | |
| 45 | 44201862000 | GEAR-10S035-06 | 2 | 1/P | | | | | | | | | |
| 46 | 6LA08935000 | SCR-M3X6BISR-NI | 5 | 10/P | | | | | | | | | |
| 47 | 6LA89436000 | HRNS-HVT-DEV-371 | 1 | 1/P | | | | | | | | | |

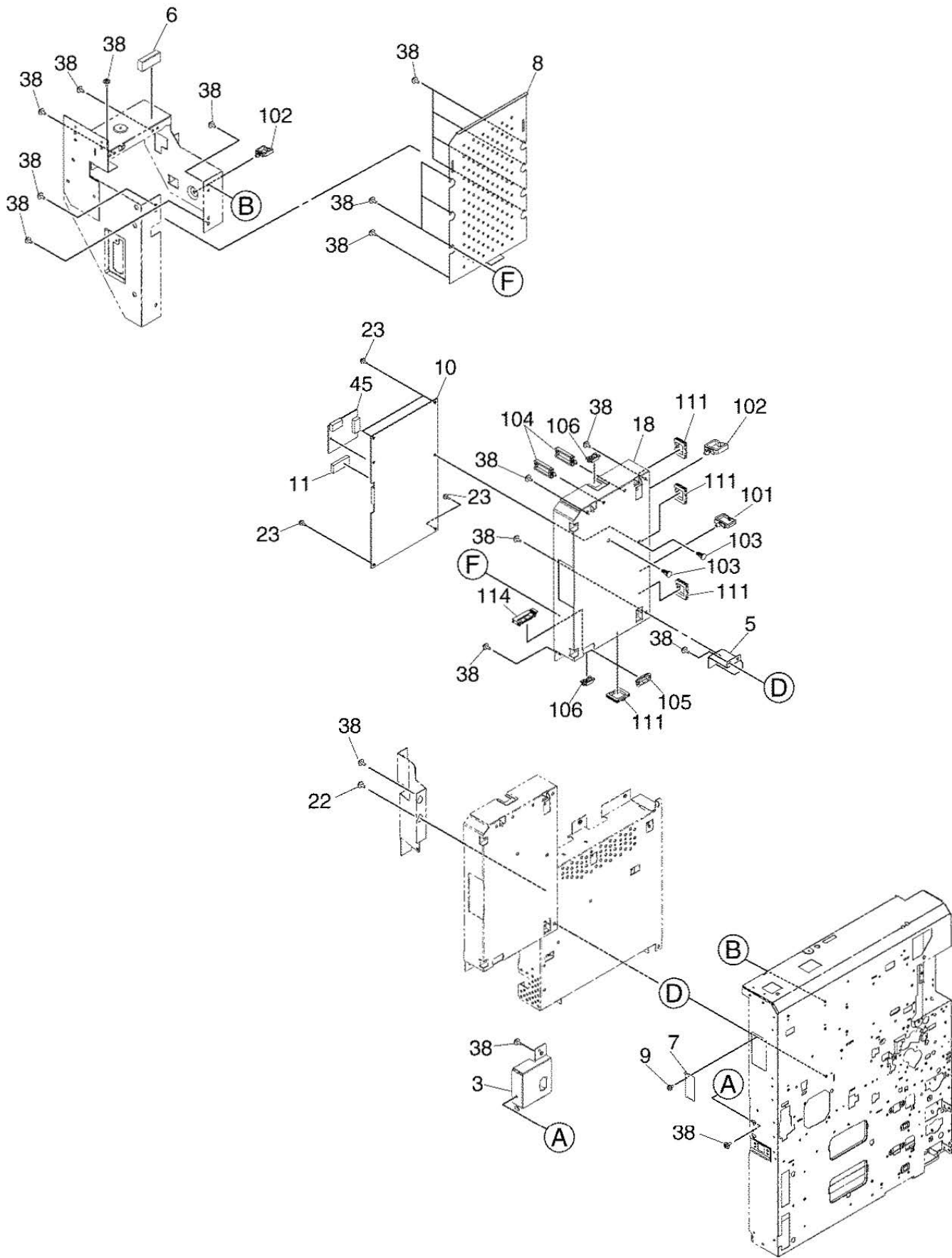
| Item No. | Parts No. | Parts Name | QTY/ Unit | QTY/ Pack | Part remarks | Catg. | Serial No. | P | I | R | BSI No. | Change | PC Board |
|----------|-------------|---------------------------|--------------|--------------|---|-------|---------------|---|---|---|---------|----------------|-------------|
| 1 | 6LE88455000 | ASY-PWA-SYS-377S | 1 | 1/SB | | | | | | | | | |
| 2A | 6LA42007000 | PWA-F-FUS-350 | 1 | 1/C | KRD | | | | | | | To: 2A-1 | |
| 2A-1 | 6LA42007000 | PWA-F-FUS-350 | 0 | 1/C | | | | E | - | J | G06B680 | From: 2A | |
| 2B | 6LA88759000 | PWA-F-FUS-371 | 1 | 1/C | AUD ASD ASU SAD TWD CND ARD | | | | | | | To: 2B-1 | |
| 2B-1 | 6LA88759000 | PWA-F-FUS-371 | 1 | 1/C | AUD ASD ASU SAD TWD CND ARD KRD | | | E | - | J | G06B680 | From: 2B | |
| 3 | 6LA56769000 | SCREW-HDD-CASE | 8 | 1/P | | | | | | | | | |
| 4 | 6LE84953000 | BASE-HDD-377 | 1 | 1/P | | | | | | | | | |
| 5 | 6LE84954000 | BRKT-HDD-LEFT | 1 | 1/P | | | | | | | | To: 5B | |
| 5A | 6LE84954000 | BRKT-HDD-LEFT | 1 | 1/P | NAD MJD AUD ASD ASU SAD KRD CND ARD | | | - | - | - | G06E833 | From: 5 | |
| 5B | 6LE85679000 | ASY-BRKT-HDD-L | 1 | 1/P | TWD | | | - | - | - | G06E833 | From: 5 | |
| 6 | 6LE84955000 | BRKT-HDD-RIGHT | 1 | 1/P | | | | | | | | To: 6B | |
| 6A | 6LE84955000 | BRKT-HDD-RIGHT | 1 | 1/P | NAD MJD AUD ASD ASU SAD KRD CND ARD | | | - | - | - | G06E833 | From: 6 | |
| 6B | 6LE85680000 | ASY-BRKT-HDD-R | 1 | 1/P | TWD | | | - | - | - | G06E833 | From: 6 | |
| 7 | 6LE78184000 | HRNS-HDDFG-364 | 1 | 1/P | | | | | | | | | |
| 8 | 6LA89489000 | HRNS-HDD-SIG-371 | 1 | 1/P | | | | | | | | To: 8-1 | |
| 8-1 | 6LA89491000 | HRNS-HDD-SIG_N- 371 | 1 | 1/P | | | | C | E | J | G07G038 | From: 8 | |
| 9 | 44201086000 | SCREW-#6-32*1/4 | 1 | 10/P | | | | | | | | To: 9-1 | |
| 9-1 | 6LE82485000 | SCREW-#6-32X1/4 | 1 | 10/P | | | | C | E | J | G06H168 | From: 9 | |
| 10 | 6LE88052000 | HRNS-HDD-POW-377 | 1 | 1/P | | | | | | | | | |
| 11 | 6LE84975000 | SPG-FG-USB-377 | 1 | 1/P | | | | | | | | To: 11B | |
| 11A | 6LE84975000 | SPG-FG-USB-377 | 1 | 1/P | NAD MJD AUD ASD ASU SAD KRD CND ARD | | | - | - | - | G06E833 | From: 11 | |
| 11B | 6LE85673000 | ASYS-BRKT-SUP-USB | 1 | 1/P | TWD | | | - | - | - | G06E833 | From: 11 | |
| 15 | 6LE87750000 | FAN_D-SYS-6015- 377 | 1 | 1/D | | | | | | | | | |
| 16 | 6LA34629000 | COV-CNCT-DWN | 1 | 1/P | | | | | | | | | |
| 17 | 6LA64243000 | COVER-USB-SYS | 1 | 1/P | | | | | | | | | |
| 20 | 6LA89440000 | HRNS-FUSE-371 | 1 | 1/P | | | | | | | | | |
| 22 | 6LA89442000 | HRNS-D/H-371 | 1 | 1/P | | | | | | | | | |
| 23 | 6LE88059000 | HRNS-SYS-FAN-377 | 1 | 1/P | | | | | | | | | |
| 101 | GO-00360000 | WD400BB-22JHCO | 1 | 1/S | | | | | | | | | |
| 102 | FO-01327000 | HED-1111-ALS20ABK | 8 | 1/P | | | | | | | | | |
| 103 | X0-02238000 | S/TPS/FHEXM-3X6- ZU3 | 14 | 10/P | | | | | | | | | |
| 104 | E0-09305000 | BU02P-TR-P-H (LF) (SN) | 1 | 5/P | | | | | | | | | |
| 105 | C0-11036000 | DWV6S8/P | 1 | 1/SB | 256MB | | | A | - | J | G06G024 | To: 105-1 | |
| 105-1 | C0-12460000 | TS3DNF1862E-6VC | 1 | 1/SB | 256MB | | | C | E | J | G06G055 | To: 105-2 | |
| 105-2 | C0-14188000 | TEF2700D-256A | 1 | 1/SB | 256MB | | | C | E | F | G07C710 | From: 105-1 | |
| 106 | FO-00045000 | EDS-1 | 1 | 10/P | | | | | | | | To: 106-1 | |
| 106-1 | FO-01248000 | ESC-0912 | 1 | 10/P | | | | C | E | F | G07B689 | From: 106 | |
| 107 | FO-00047000 | EDS-1717U | 1 | 10/P | | | | | | | | | |
| 108 | FO-01483000 | LES-0510 | 1 | 1/P | | | | | | | | | |
| 109 | C0-12295000 | STK16C88-3WF45 | 1 | 1/S | NVRAM | | | | | | | To: 109B | |
| 109-2 | C0-10324000 | FM18L08-70-PG | 1 | 1/S | I.109A and I.109B will be unified to I.109-2 | | | C | E | J | G07J171 | From: 109BU | |
| 109A | C0-12295000 | STK16C88-3WF45 | 1 | 1/S | Both I.109A and I.109B can be used for NVRAM. | | | - | - | - | G06F919 | To: 109A-1 | |
| 109A-1 | C0-13712000 | STK16C88-3WF35 | 1 | 1/S | Both I.109A and I.109B can be used for NVRAM. | | | C | E | J | G06G066 | To: 109-2U | |
| 109B | C0-10324000 | FM18L08-70-PG | 1 | 1/S | Both I.109A and I.109B can be used for NVRAM. | | | C | E | J | G06F919 | To: 109-2U | |
| 110 | X0-02243000 | S/TPS/FHEXM-4X8- ZU3 | 20 | 10/P | | | | | | | | | |



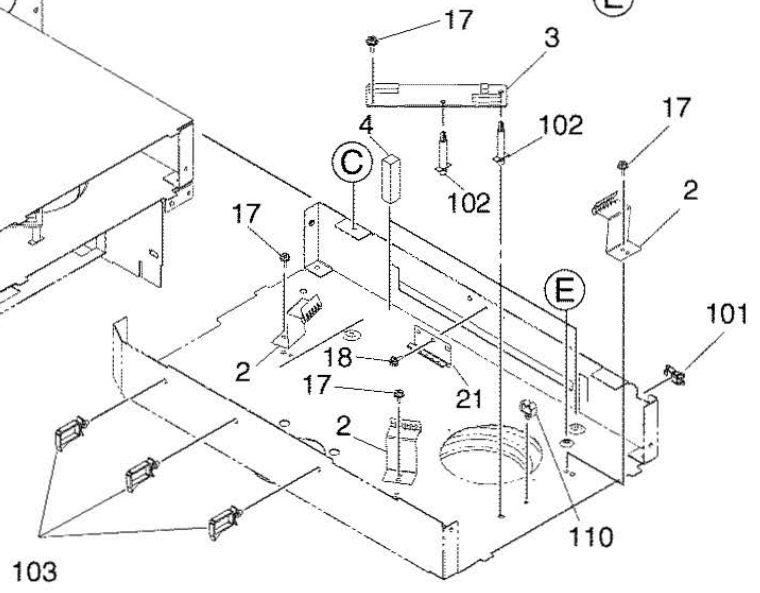
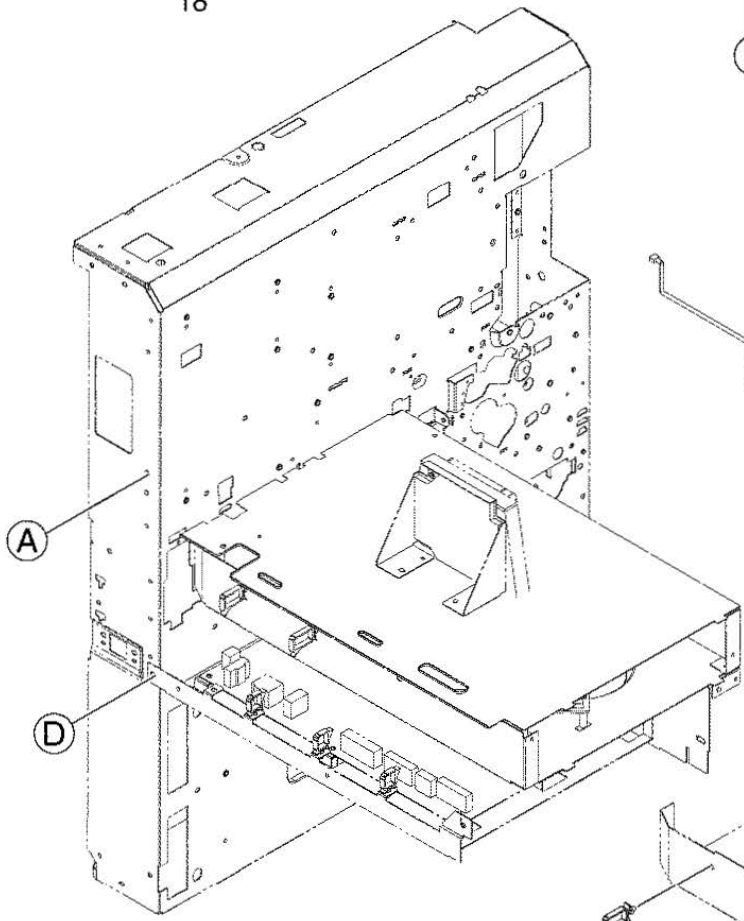
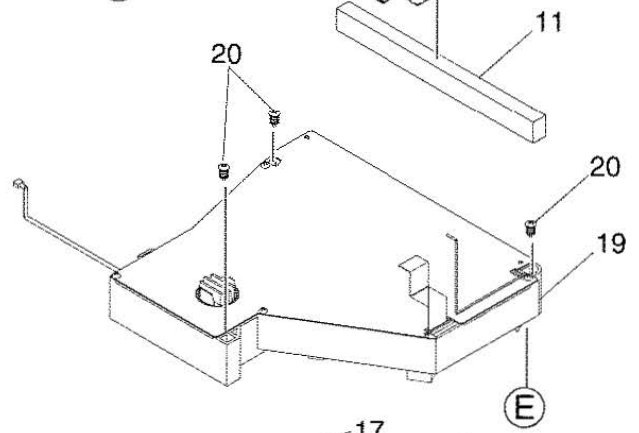
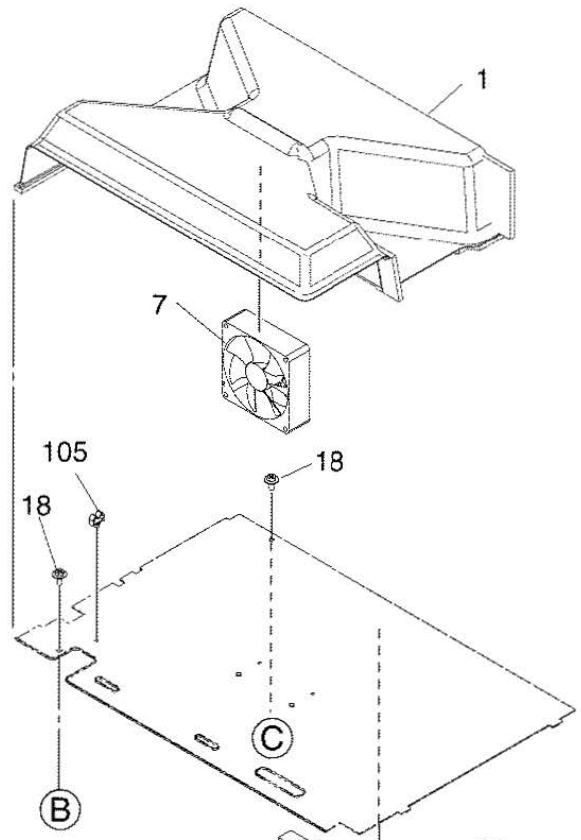
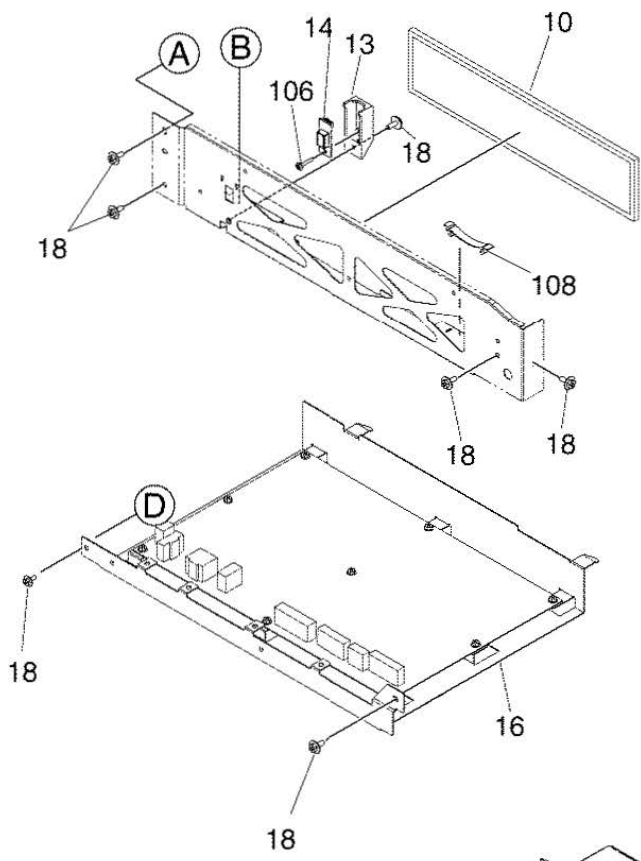
| Item No. | Parts No. | Parts Name | QTY/ Unit | QTY/ Pack | Part remarks | Catg. | Serial No. | P | I | R | BSI No. | Change | PC Board |
|----------|-------------|---------------------|--------------|--------------|---|-------|---------------|---|---|---|---------|-------------|-------------|
| 3 | 6LA81319000 | BRKT-CNTR-FNSR-371 | 1 | 1/P | | | | | | | | | |
| 4 | 6LA81501000 | SHAFT-DOOR-SW | 1 | 1/P | | | | | | | | | |
| 5 | 6LA81310000 | BRKT-LGC-371 | 1 | 1/P | | | | | | | | | |
| 6 | 6LA86409000 | GSKT-18-10-40-N | 1 | 1/P | | | | | | | | | |
| 7 | 6LA34627000 | LID-LGC | 1 | 1/P | | | | | | | | | |
| 8 | 6LA81324000 | COVER-LGC-371 | 1 | 1/P | | | | | | | | | |
| 9 | XO-02238000 | S/TPS/FHEXM-3X6-ZU3 | 1 | 10/P | | | | | | | | | |
| 10A | 6LE88451000 | ASY-PWA-LGC-377S | 1 | 1/S | Se-STUDIO202L | | | | | | | To: 10A-1 | |
| 10A-1 | 6LE88451000 | ASY-PWA-LGC-377S | 1 | 1/S | Se-STUDIO202L/203L | | | | | | G07J184 | From: 10A | |
| 10B | 6LE88451100 | ASY-PWA-LGC-378S | 1 | 1/S | Se-STUDIO232 | | | | | | | To: 10B-1 | |
| 10B-1 | 6LE88451100 | ASY-PWA-LGC-378S | 1 | 1/S | Se-STUDIO232/233 | | | | | | G07J184 | From: 10B | |
| 10C | 6LE88451200 | ASY-PWA-LGC-379S | 1 | 1/S | Se-STUDIO282 | | | | | | | To: 10C-1 | |
| 10C-1 | 6LE88451200 | ASY-PWA-LGC-379S | 1 | 1/S | Se-STUDIO282/283 | | | | | | G07J184 | From: 10C | |
| 11A | 6LE87164000 | WRRAM-T377MU | 1 | 1/S | Se-STUDIO202L NAD | | | | | | | To: 11A-1 | |
| 11A-1 | 6LE87186000 | WRRAM-T377MU | 1 | 1/S | Se-STUDIO202L NAD | | | E | | J | G06A601 | To: 11A-2 | |
| 11A-2 | 6LE87186000 | WRRAM-T377MU | 1 | 1/S | Se-STUDIO202L/203L NAD | | | | | | G07J184 | From: 11A-1 | |
| 11B | 6LE87165000 | WRRAM-T377MX | 1 | 1/S | Se-STUDIO202L ARD | | | | | | | To: 11B-1 | |
| 11B-1 | 6LE87187000 | WRRAM-T377MX | 1 | 1/S | Se-STUDIO202L ARD | | | E | | J | G06A601 | To: 11B-2 | |
| 11B-2 | 6LE87187000 | WRRAM-T377MX | 1 | 1/S | Se-STUDIO202L/203L ARD | | | | | | G07J184 | From: 11B-1 | |
| 11C | 6LE87166000 | WRRAM-T378MU | 1 | 1/S | Se-STUDIO232 NAD | | | | | | | To: 11C-1 | |
| 11C-1 | 6LE87188000 | WRRAM-T378MU | 1 | 1/S | Se-STUDIO232 NAD | | | E | | J | G06A601 | To: 11C-2 | |
| 11C-2 | 6LE87188000 | WRRAM-T378MU | 1 | 1/S | Se-STUDIO232/233 NAD | | | | | | G07J184 | From: 11C-1 | |
| 11D | 6LE87167000 | WRRAM-T378ME | 1 | 1/S | Se-STUDIO232 MJD | | | | | | | To: 11D-1 | |
| 11D-1 | 6LE87189000 | WRRAM-T378ME | 1 | 1/S | Se-STUDIO232 MJD | | | E | | J | G06A601 | To: 11D-2 | |
| 11D-2 | 6LE87189000 | WRRAM-T378ME | 1 | 1/S | Se-STUDIO232/233 MJD | | | | | | G07J184 | From: 11D-1 | |
| 11E | 6LE87169000 | WRRAM-T378MS | 1 | 1/S | Se-STUDIO232 SAD | | | | | | | To: 11E-1 | |
| 11E-1 | 6LE87191000 | WRRAM-T378MS | 1 | 1/S | Se-STUDIO232 SAD | | | E | | J | G06A601 | From: 11E | |
| 11F | 6LE87170000 | WRRAM-T378MX | 1 | 1/S | Se-STUDIO232 AUD ASD ASU TWD KRD CND ARD | | | | | | | To: 11F-1 | |
| 11F-1 | 6LE87192000 | WRRAM-T378MX | 1 | 1/S | Se-STUDIO232 AUD ASD ASU TWD KRD CND ARD | | | E | | J | G06A601 | To: 11F-2 | |
| 11F-2 | 6LE87192000 | WRRAM-T378MX | 1 | 1/S | SeS232AUD ASD ASU TWD/eS233CND ARDKRD CND ARD/ | | | | | | G07J184 | From: 11F-1 | |
| 11G | 6LE87171000 | WRRAM-T379MU | 1 | 1/S | Se-STUDIO282 NAD | | | | | | | To: 11G-1 | |
| 11G-1 | 6LE87193000 | WRRAM-T379MU | 1 | 1/S | Se-STUDIO282 NAD | | | E | | J | G06A601 | To: 11G-2 | |
| 11G-2 | 6LE87193000 | WRRAM-T379MU | 1 | 1/S | Se-STUDIO282/283 NAD | | | | | | G07J184 | From: 11G-1 | |
| 11H | 6LE87172000 | WRRAM-T379ME | 1 | 1/S | Se-STUDIO282 MJD | | | | | | | To: 11H-1 | |
| 11H-1 | 6LE87194000 | WRRAM-T379ME | 1 | 1/S | Se-STUDIO282 MJD | | | E | | J | G06A601 | To: 11H-2 | |
| 11H-2 | 6LE87194000 | WRRAM-T379ME | 1 | 1/S | Se-STUDIO282/283 MJD | | | | | | G07J184 | From: 11H-1 | |
| 11I | 6LE87174000 | WRRAM-T379MS | 1 | 1/S | Se-STUDIO282 SAD | | | | | | | To: 11I-1 | |
| 11I-1 | 6LE87196000 | WRRAM-T379MS | 1 | 1/S | Se-STUDIO282 SAD | | | E | | J | G06A601 | From: 11I | |
| 11J | 6LE87175000 | WRRAM-T379MX | 1 | 1/S | Se-STUDIO282 AUD ASD ASU TWD KRD CND ARD | | | | | | | To: 11J-1 | |
| 11J-1 | 6LE87197000 | WRRAM-T379MX | 1 | 1/S | Se-STUDIO282 AUD ASD ASU TWD KRD CND ARD | | | E | | J | G06A601 | To: 11J-2 | |
| 11J-2 | 6LE87197000 | WRRAM-T379MX | 1 | 1/S | SeS282AUD ASD ASU TWD KRD CND ARD/ eS283CND ARD | | | | | | G07J184 | From: 11J-1 | |
| 18 | 6LA81323000 | CASE-LGC-371 | 1 | 1/P | | | | | | | | | |
| 23 | XO-02239000 | S/TPS/FHEXM-3X8-ZU3 | 4 | 10/P | | | | | | | | | |
| 38 | XO-02243000 | S/TPS/FHEXM-4X8-ZU3 | 19 | 10/P | | | | | | | | | |

| | | | | | | | | | | | | | | | | | | | | |
|-------|-------------|-----------|---|------|--|--|--|--|--|--|--|--|--|--|--|--|--|--|--|--|
| 101 | FO-01252000 | WS-4W | 1 | 5/P | | | | | | | | | | | | | | | | |
| 102 | FO-01298000 | WS-2N-V0 | 1 | 5/P | | | | | | | | | | | | | | | | |
| 103 | FO-00229000 | KGLS-8RT | 2 | 5/P | | | | | | | | | | | | | | | | |
| 104 | FO-01297000 | WS-4N-V0 | 2 | 5/P | | | | | | | | | | | | | | | | |
| 105 | FO-00199000 | TSB-1909N | 1 | 1/P | | | | | | | | | | | | | | | | |
| 106 | FO-00045000 | EDS-1 | 2 | 10/P | | | | | | | | | | | | | | | | |
| 106-1 | FO-01248000 | ESC-0912 | 2 | 10/P | | | | | | | | | | | | | | | | |
| 111 | FO-00047000 | EDS-1717U | 4 | 10/P | | | | | | | | | | | | | | | | |
| 114 | FO-01047000 | LFCS-30 | 1 | 1/P | | | | | | | | | | | | | | | | |

C E F G07B689 To: 106-1
From: 106

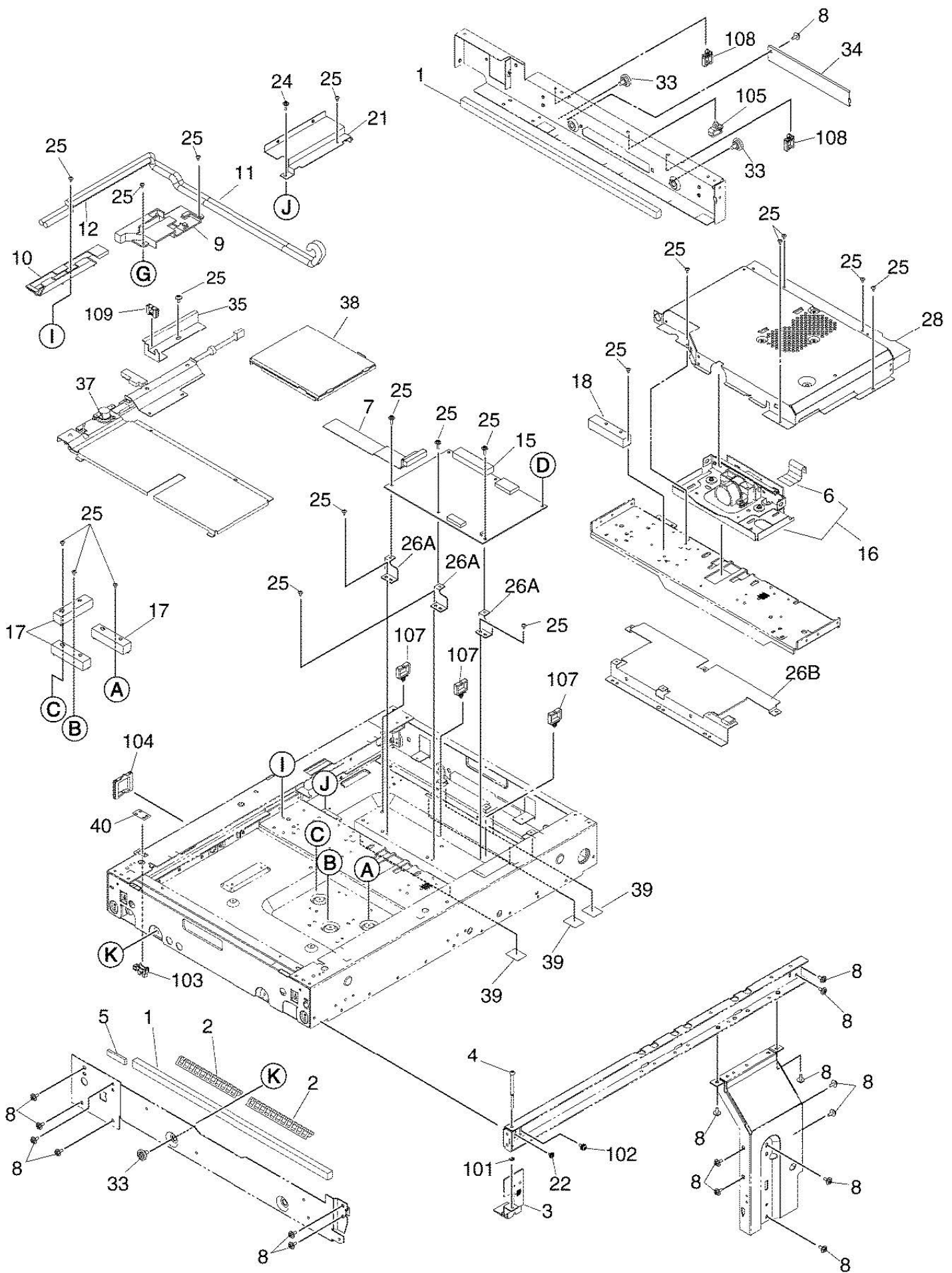


| Item No. | Parts No. | Parts Name | QTY/ Unit | QTY/ Pack | Part remarks | Catg. | Serial No. | P | I | R | BSI No. | Change | PC Board |
|----------|-------------|---------------------|--------------|--------------|----------------------------|-------|------------|---|---|---|---------|-----------|-----------|
| 1 | 6LA83441000 | ASYS-DUCT-FAN-TNR | 1 | 1/PP | | | | | | | | | |
| 2 | 6LA83405000 | SPL-FG-LSU-A | 3 | 1/P | | | | | | | | | |
| 3 | 6LE78261000 | PWA-F-LRL-364 | 1 | 1/SB | | | | | | | | | |
| 4 | 6LA84872000 | SEAL-GLASS-LSU-S | 2 | 1/D | | | | | | | | | |
| 7 | 6LA34342000 | FAN-D-8025-350NH | 1 | 1/D | | | | | | | | | |
| 10 | 6LA83404000 | FILTER-STAY-FRM-LFT | 1 | 1/KP | | | | | | | | | |
| 11 | 6LA84873000 | SEAL-GLASS-LSU-C | 1 | 1/KP | | | | | | | | | |
| 13 | 6LA65141000 | HLDR-SNSR-THS | 1 | 1/P | | | | | | | | | |
| 14 | 6LA89109000 | SNSR-THS-371 | 1 | 1/C | | | | | | | | | |
| 16A | 6LA89178000 | PS-LVPS-371JU | 1 | 1/C | NAD SAD. | | | | | | | To: 16A-1 | |
| 16A-1 | 6LE87787000 | PS-LVPS-371JU | 1 | 1/C | NAD SAD | | | C | E | F | G06J333 | From: 16A | |
| 16B | 6LA89179000 | PS-LVPS-371E | 1 | 1/C | MJD AUD ASD ASU KRD ARD | | | | | | | To: 16E-1 | |
| 16B-1 | 6LA89179000 | PS-LVPS-371E | 1 | 1/C | KRD | | | - | - | - | G06J333 | From: 16B | |
| 16C | 6LA89187000 | PS-LVPS-371CND | 1 | 1/C | CND | | | | | | | | |
| 16D | 6LA89191000 | PS-LVPS-371-TWD | 1 | 1/C | TWD | | | | | | | | |
| 16E-1 | 6LE87788000 | PS-LVPS-371E | 1 | 1/C | MJD AUD ASD ASU ARD | | | C | E | F | G06J333 | From: 16B | |
| 17 | X0-02239000 | S/TPS/FHEXM-3X8-ZU3 | 4 | 10/P | | | | | | | | | |
| 18 | X0-02243000 | S/TPS/FHEXM-4X8-ZU3 | 10 | 10/P | | | | | | | | | |
| 19 | 6LA85260100 | LASER-UNIT-377 | 1 | 1/S | | | | | | | | | |
| 20 | 6LA36749000 | ASYS-SCREW-LSU-NI | 3 | 5/P | | | | | | | | | |
| 21 | 6LA83406000 | SPL-FG-LSU-B | 1 | 1/P | | | | | | | | | |
| 101 | FO-00045000 | EDS-1 | 1 | 10/P | | | | | | | | | To: 101-1 |
| 101-1 | FO-01248000 | ESC-0912 | 1 | 10/P | | | | C | E | F | G07B689 | From: 101 | |
| 102 | FO-00313000 | SPLSN-18U | 2 | 5/P | | | | | | | | | |
| 103 | FO-01299000 | LWS-2111Z | 3 | 1/P | | | | | | | | | |
| 105 | FO-00043000 | UAMS-05SN-W | 1 | 5/P | | | | | | | | | |
| 106 | X0-02034000 | S/TPP/PAN-3X12-NI | 1 | 10/P | | | | | | | | | |
| 108 | FO-01286000 | FCR-30 | 2 | 5/P | | | | | | | | | |
| 110 | FO-00044000 | UAMS-05-2 | 1 | 5/P | | | | | | | | | |



| Item No. | Parts No. | Parts Name | QTY/ Unit | QTY/ Pack | Part remarks | Catg. | Serial No. | P | I | R | BSI No. | Change | PC Board |
|----------|-------------|-------------------------|--------------|--------------|---|-------|---------------|---|---|---|---------|-----------|-------------|
| 1 | 6LA67800000 | CUSH-STAY-TP-LFT | 2 | 1/KP | | | | | | | | | |
| 2 | 6LA39931000 | SPL-SHLD-102-7 | 2 | 1/KP | | | | | | | | | |
| 3 | 6LA67468000 | BRKT-ADJT-TP-FRT-360 | 1 | 1/P | | | | | | | | | |
| 4 | 6LA67500000 | SCREW-ADJT-FRM | 1 | 1/P | | | | | | | | | |
| 5 | 6LA67810000 | CUSH-STAY-TP-LFT-S | 1 | 1/KP | | | | | | | | | |
| 6 | 6LE78278000 | HRNS-CCD-364 | 1 | 1/KP | | | | | | | | | |
| 7 | 6LE88053000 | HRNS-SLG-SYS-377 | 1 | 1/P | | | | | | | | | |
| 8 | X0-02243000 | S/TPS/FHEXM-4X8-ZU3 | 19 | 10/P | | | | | | | | | |
| 9 | 6LA39661000 | DUCT-SCAN-INR | 1 | 1/P | | | | | | | | | |
| 10 | 6LA39385000 | GUIDE-HRNS-RER | 1 | 1/P | | | | | | | | | |
| 11 | 6LA71384000 | HRNS-SNSR-SCN-360 | 1 | 1/P | | | | | | | | | |
| 12 | 6LA89466000 | HRNS-SLG-SPLY-371 | 1 | 1/P | | | | | | | | | |
| 13 | 6LA89468000 | HRNS-ADF-371 | 1 | 1/P | | | | | | | | | |
| 14 | 6LA71386000 | HRNS-SCN-MOT-360 | 1 | 1/P | | | | | | | | | |
| 15 | 6LE88452000 | ASY-SLG-377S | 1 | 1/SB | | | | | | | | | |
| 16 | 6LE82776300 | LENS-UNIT-364 | 1 | 1/S | | | | | | | | To: 16B | |
| 16A | 6LE82776300 | LENS-UNIT-364 | 1 | 1/S | NAD MJD AUD ASD ASU SAD KRD CND ARD | | | | | | G06E833 | From: 16 | |
| 16B | 6LE82776400 | LENS-UNIT-364TW | 1 | 1/STWD | | | | | | | G06E833 | From: 16 | |
| 17A | 6LE48550000 | SNSR-PS-TW06 | 3 | 1/C | NAD | | | | | | | | |
| 17B | 6LE48550000 | SNSR-PS-TW06 | 4 | 1/C | MJD AUD ASD ASU SAD TWD KRD CND ARD | | | | | | | | |
| 18 | 6LE09478000 | SNSR-PS-TY1CH56 | 1 | 1/C | | | | | | | | | |
| 19A | 6LA71449000 | HRNS-APS-L-360 | 1 | 1/P | NAD | | | | | | | | |
| 19B | 6LA71450000 | HRNS-APS-A-360 | 1 | 1/P | MJD AUD ASD ASU SAD TWD KRD CND ARD | | | | | | | | |
| 21 | 6LA39453000 | COVER-HRNS-SLG | 1 | 1/P | | | | | | | | | |
| 22 | 6LA08932000 | SCREW-ACTR-TRU | 2 | 10/P | | | | | | | | | |
| 23 | X0-02238000 | S/TPS/FHEXM-3X6-ZU3 | 59 | 10/P | | | | | | | | | |
| 24 | X0-02239000 | S/TPS/FHEXM-3X8-ZU3 | 4 | 10/P | | | | | | | | | |
| 25 | 6LA08935000 | SCR-M3X6BISR-NI | 25 | 10/P | | | | | | | | | |
| 26A | 6LA39313000 | BRKT-PWA-SLG | 3 | 1/P | NAD MJD AUD ASD ASU SAD KRD CND ARD | | | | | | | | |
| 26B | 6LA67603000 | ASYS-BRKT-PWA-SLG-TWD | 1 | 1/PTWD | | | | | | | | To: 26B-1 | |
| 26B-1 | 6LA67603100 | ASYS-BRKT-PWA-SLG-377TW | 1 | 1/PTWD | | | | | | | G06E833 | From: 26B | |
| 28 | 6LE46390000 | ASYS-COVER-LENS | 1 | 1/PP | | | | | | | | To: 28B | |
| 28A | 6LE46390000 | ASYS-COVER-LENS | 1 | 1/PP | NAD MJD AUD ASD ASU SAD KRD CND ARD | | | | | | G06E833 | From: 28 | |
| 28B | 6LE46389000 | ASYS-COVER-LENS-410 | 1 | 1/PP | TWD | | | | | | G06E833 | From: 28 | |
| 33 | 6LE77407000 | SCREW-SCAN-364 | 3 | 10/P | | | | | | | | | |
| 34 | 6LA39881000 | LID-DOWNLOAD | 1 | 1/P | | | | | | | | | |
| 35B | 6LA39898000 | BRKT-D_H-LENS | 1 | 1/P | AUD ASD ASU SAD TWD KRD CND ARD | | | | | | | | |
| 37A | 6LA86519000 | ASY-D_H-SCAN-L-U-371 | 1 | 1/C | SAD TWD | | | | | | | | |
| 37B | 6LA86520000 | ASY-D-H-SCAN-L-E-371 | 1 | 1/C | AUD ASD ASU KRD CND ARD | | | | | | | | |
| 38A | 6LA86522000 | ASY-D_H-SCAN-R-U-371 | 1 | 1/C | SAD TWD | | | | | | | | |
| 38B | 6LA86523000 | ASY-D-H-SCAN-R-E-371 | 1 | 1/C | AUD ASD ASU KRD CND ARD | | | | | | | | |
| 39 | 6LA86456000 | MYLAR-BASE-SCAN | 7 | 5/P | | | | | | | | | |
| 40 | 6LA29902000 | COVER-SNSR-LIFT | 1 | 1/P | | | | | | | | | |
| 101 | X0-00964000 | RR/E-3-SS | 1 | 10/P | | | | | | | | | |

| | | | | | | | | | | | | | | | | | | | | |
|--------|-------------|------------------------|---|------|-----------------|--|--|--|--|--|--|--|--|--|--|--|--|--|--|--|
| 102 | X0-00164000 | S/PAN/SWWP-M4X8- NI | 1 | 10/P | | | | | | | | | | | | | | | | |
| 103 | C0-10813000 | GP1A73ARJ00F | 1 | 1/P | | | | | | | | | | | | | | | | |
| 104 | F0-00034000 | EDS-2323U | 1 | 5/P | | | | | | | | | | | | | | | | |
| 105 | F0-00664000 | MWC-2S | 1 | 1/P | | | | | | | | | | | | | | | | |
| 106 | X0-00077000 | S/PAN/SWWP-M3X8- NI | 5 | 10/P | | | | | | | | | | | | | | | | |
| 107 | F0-01179000 | WWS-2U | 3 | 5/P | | | | | | | | | | | | | | | | |
| 108 | F0-00338000 | WS-2U | 2 | 5/P | | | | | | | | | | | | | | | | |
| 109B-1 | F0-00120000 | ES-0505 | 1 | 5/P | AUD ASD ASU SAD | | | | | | | | | | | | | | | |
| | | | | | TWD KRD CND ARD | | | | | | | | | | | | | | | |

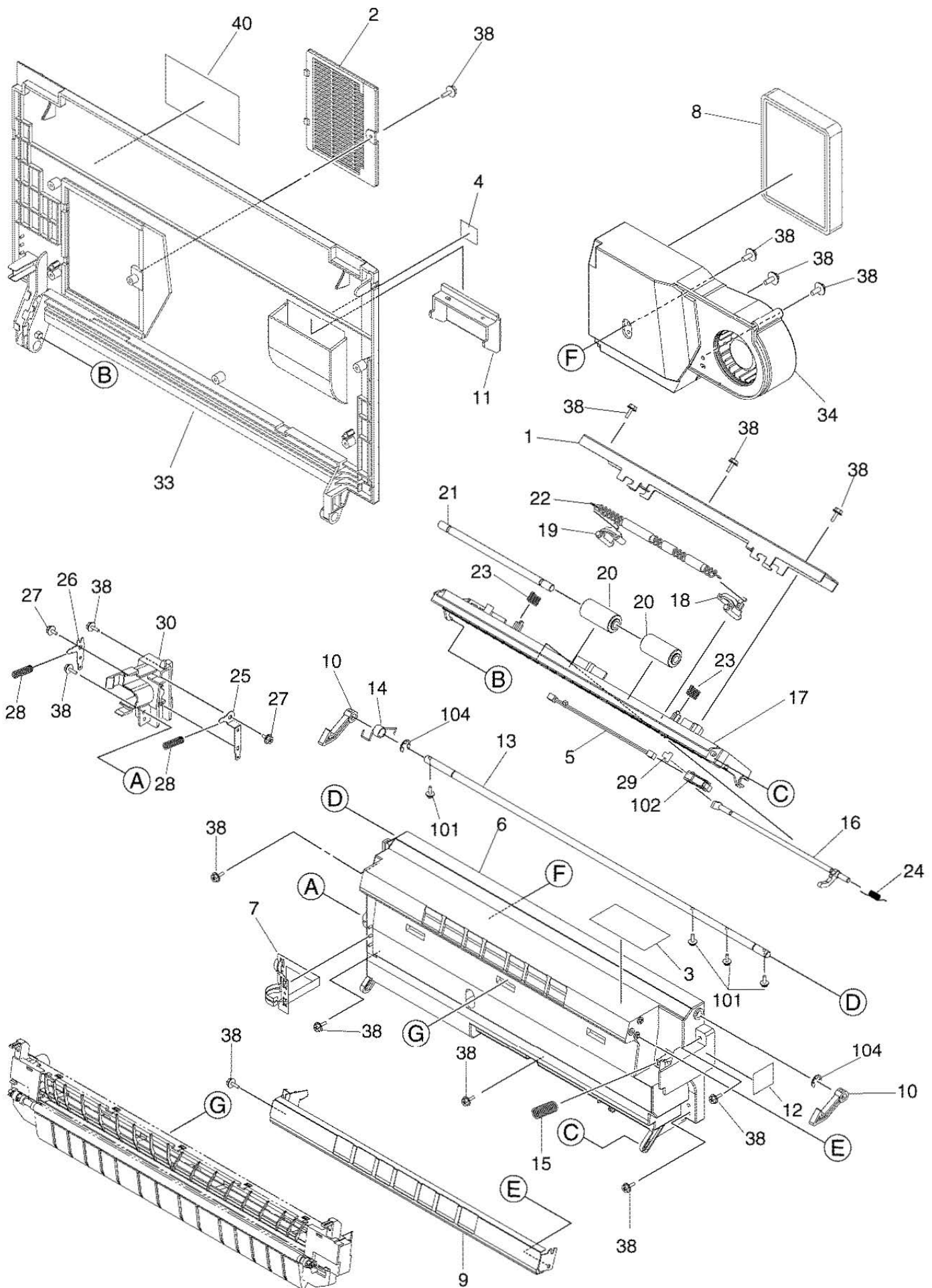


Model:

Page:

Issue
Date:

| Item No. | Parts No. | Parts Name | QTY/ Unit | QTY/ Pack | Part remarks | Catg. | Serial No. | P | I | R | BSI No. | Change | PC Board |
|----------|-------------|----------------------|--------------|--------------|---|-------|------------|---|---|---|---------|---------|----------|
| 1 | 6LA88203000 | STAY-REALY-FEED | 1 | 1/P | | | | | | | | | |
| 2 | 6LA88382000 | COV-FILTER-03 | 1 | 1/P | | | | | | | | | |
| 3A | 44204544000 | LABEL-DRUM-PS | 1 | 1/KP | NAD MJD AUD ASD ASU SAD TWD CND ARD | | | | | | | | |
| 3B | 6LA81002000 | LBL-DRUM-PS-373K | 1 | 1/KP | KRD | | | | | | | | |
| 4 | 6LA67028000 | LBL-JAM-1 | 1 | 5/KP | | | | | | | | | |
| 5 | 6LA89456000 | HRNS-1STFED-SW-371 | 1 | 1/P | | | | | | | | | |
| 6 | 6LA88320000 | CASE-COV-SIDE | 1 | 1/PP | | | | | | | | | |
| 7 | 6LA88340000 | EARTH-CASE-TR | 1 | 1/C | | | | | | | | | |
| 8 | 6LA88260000 | ASYS-FILTER-OZN | 1 | 1/C | | MSP | | | | | | To: 8-1 | |
| 8-1 | 6LE87050000 | FILTER-OZONE-TRU-377 | 1 | 1/C | | MSP | | C | E | J | G07B654 | From: 8 | |
| 9 | 6LA88337000 | GUIDE-TR | 1 | 1/P | | | | | | | | | |
| 10 | 6LA88331000 | HOOK-COV-SIDE | 2 | 1/P | | | | | | | | | |
| 11 | 6LA88328000 | LEVER-COV-SIDE | 1 | 1/P | | | | | | | | | |
| 12 | 6LA37667000 | LBL-O-RGST | 1 | 5/P | | | | | | | | | |
| 13 | 6LA88325000 | SHAFT-LOCK-COV | 1 | 1/P | | | | | | | | | |
| 14 | 6LA88333000 | SPA-HOOK | 1 | 1/P | | | | | | | | | |
| 15 | 6LA88343000 | SPC-CH-TR | 1 | 1/P | | | | | | | | | |
| 16 | 6LA85825000 | ACTR-RELAY-371 | 1 | 1/KP | | | | | | | | | |
| 17 | 6LA88316000 | GUIDE-RELAY-FED | 1 | 1/P | | | | | | | | | |
| 18 | 6LA88317000 | LVR-SEP-RELAY-F-371 | 1 | 1/P | | | | | | | | | |
| 19 | 6LA88318000 | LVR-SEP-RELAY-R-371 | 1 | 1/P | | | | | | | | | |
| 20 | 6LA85834000 | ROL-RELAY-FEED-IDL | 2 | 1/P | | | | | | | | | |
| 21 | 6LA85835000 | SHAFT-RELAY-IDL | 1 | 1/P | | | | | | | | | |
| 22 | 6LA85844000 | SPG-FEED-IDL | 1 | 1/P | | | | | | | | | |
| 23 | 6LA85845000 | SPG-RELAY-GUIDE | 2 | 5/P | | | | | | | | | |
| 24 | 6LA85826000 | SPR-ACT-RELAY-371 | 1 | 1/P | | | | | | | | | |
| 25 | 6LA88308000 | PLT-CH-S | 1 | 1/P | | | | | | | | | |
| 26 | 6LA88309000 | PLT-CH-T | 1 | 1/P | | | | | | | | | |
| 27 | X0-02246000 | S/TPP/FHEXM-3X6-NI | 2 | 10/P | | | | | | | | | |
| 28 | 6LA88313000 | SPC-TERM-CH-TR | 2 | 5/P | | | | | | | | | |
| 29 | 6LA85910000 | MYLAR-SUPPORT-SNS | 1 | 5/P | | | | | | | | | |
| 30 | 6LA88305000 | TERM-HVT-TR | 1 | 1/P | | | | | | | | | |
| 33 | 6LA88210000 | ASYS-COV-SIDE | 1 | 1/PP | | | | | | | | | |
| 34 | 6LA88211000 | ASY-COV-DUCT-N | 1 | 1/C | | | | | | | | | |
| 38 | X0-02247000 | S/TPP/FHEXM-3X8-NI | 14 | 10/P | | | | | | | | | |
| 40 | 6LA91475000 | LBL-O-PLACE-COV-373 | 1 | 1/KP | | | | | | | | | |
| 101 | X0-00077000 | S/PAN/SWWP-M3X8-NI | 4 | 10/P | | | | | | | | | |
| 102 | CO-10813000 | GP1A73ARJOOF | 1 | 1/P | | | | | | | | | |
| 104 | X0-00966000 | RR/E-5-SS | 2 | 10/P | | | | | | | | | |



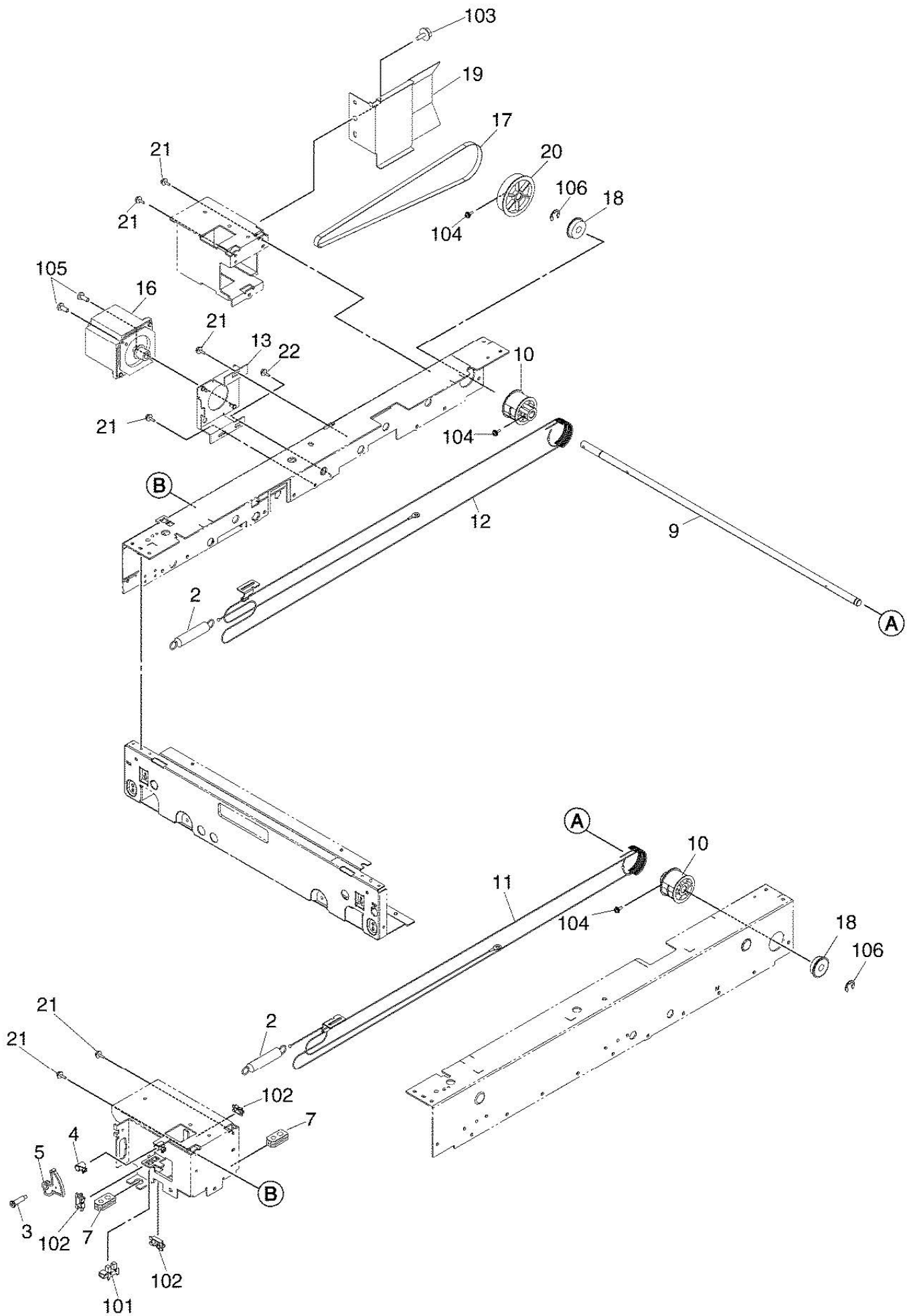
| Item No. | Parts No. | Parts Name | QTY/Unit | QTY/Pack | Part remarks | Catg. | Serial No. | P | I | R | BSI No. | Change | PC Board |
|----------|-------------|-----------------------|----------|----------|--------------------------------------|-------|------------|---|---|---|---------|-----------|----------|
| 1 | 6LA82257000 | ASYB-BLT-TENS-DRM | 1 | 1/P | | | | | | | | | |
| 2 | 6LA82203000 | ASYS-BRKT-DRV-R-BLT | 1 | 1/P | | | | | | | | | |
| 4 | 6LA82230000 | BLT-SY-S2M-224-6 | 1 | 1/P | | | | | | | | | |
| 6 | 6LA82452000 | ASY-DRIVE-SP | 1 | 1/C | | | | | | | | | |
| 7-1 | 6LE49741000 | BUSH-6X10X6F-POM | 2 | 5/P | | | | | | | | To: 7-2 | |
| 7-2 | 44201492000 | BUSH-6-POM | 2 | 5/P | | | | C | E | F | G06E872 | From: 7-1 | |
| 8 | 6LA65698000 | BUSH-8X12X8F | 1 | 5/P | | | | | | | | | |
| 9 | 41314022000 | CPG-DRUM-AW5 | 1 | 1/P | | | | | | | | | |
| 10 | 41306070000 | CPG-TC-AT5 | 1 | 1/P | | | | | | | | | To: 10B |
| 10A | 41306070000 | CPG-TC-AT5 | 1 | 1/P | Pe-STUDIO202L/232/282 | | | - | - | - | G07J184 | From: 10 | |
| 10B | 6LE56666000 | CPG-TC-280 | 1 | 1/P | Pe-STUDIO203L/233/233P/283/283S/283P | | | A | - | J | G07J184 | From: 10 | |
| 12 | 6LA82225000 | GEAR-5H61-8H33-6 | 1 | 1/P | | | | | | | | | |
| 13 | 6LA82217000 | GEAR-5H67-8H31-6 | 1 | 1/P | | | | | | | | | |
| 14 | 6LA82241000 | GEAR-8H56-PS2M26-6 | 1 | 1/P | | | | | | | | | |
| 15 | 6LA82280000 | M/DC-TNR-371 | 1 | 1/C | | | | | | | | | |
| 16 | 6LA82209000 | MOTR-D-MAIN-371 | 1 | 1/C | | | | | | | | | |
| 18 | 6LA82249000 | ASYS-SFT-DRUM-371 | 1 | 1/P | | | | | | | | | |
| 20 | 6LA82245000 | PULLEY-PS2M54-6 | 1 | 1/P | | | | | | | | | |
| 22 | 4407972860 | STOP-RING-6-5 | 1 | 5/P | | | | | | | | | |
| 24 | X0-02238000 | S/TPS/FHEXM-3X6-ZU3 | 1 | 10/P | | | | | | | | | |
| 25 | X0-02243000 | S/TPS/FHEXM-4X8-ZU3 | 8 | 10/P | | | | | | | | | |
| 28 | 6LA79504000 | SPG-C-173 | 1 | 5/P | | | | | | | | | |
| 29 | 6LA82237000 | SPG-C-11R8*R8*24L-TC | 1 | 1/P | | | | | | | | | |
| 30 | 6LA82233000 | SPG-E-5XR55X29R37-TNS | 1 | 1/P | | | | | | | | | |
| 31 | 6LA82251000 | ASYS-SFT-DRV-TNR | 1 | 1/P | | | | | | | | | |
| 34 | 6LA82234000 | WHEEL-WORM-TNR | 1 | 1/P | | | | | | | | | |
| 101 | FO-00343000 | SPLSN-8U | 2 | 5/P | | | | | | | | | |
| 102 | X0-00964000 | RR/E-3-SS | 1 | 10/P | | | | | | | | | |
| 103 | X0-00968000 | RR/E-7-SS | 2 | 10/P | | | | | | | | | |
| 104 | X0-00980000 | P/PRL/AH7-2X10-SS | 1 | 10/P | | | | | | | | | |
| 105 | X0-02351000 | W/PL/SJ0-8-NI | 1 | 5/P | | | | | | | | | |
| 107 | X0-01670000 | S/PAN-M2.6X4-NC | 1 | 10/P | | | | | | | | | |
| 108 | X0-00077000 | S/PAN/SWWP-M3X8-NI | 1 | 10/P | | | | | | | | | |

Model:

Page:

Issue
Date:

| Item No. | Parts No. | Parts Name | QTY/ Unit | QTY/ Pack | Part remarks | Catg. | Serial No. | P | I | R | BSI No. | Change | PC Board |
|----------|-------------|----------------------|--------------|--------------|--------------|-------|------------|---|---|---|---------|-----------|----------|
| 2 | 44202660000 | SPE-WIRE-TENS | 2 | 1/P | | | | | | | | | |
| 3 | 6LA67393000 | SHAFT-OPN-SNS | 1 | 1/P | | | | | | | | | |
| 4 | 44202846000 | SPR-OPEN-SNS | 1 | 1/P | | | | | | | | | |
| 5 | 44202845000 | LVR-OPEN-SNS | 1 | 1/P | | | | | | | | | |
| 7 | 6LE77404000 | SPACER-DF-364 | 2 | 1/P | | | | | | | | | |
| 9 | 6LA39397000 | SHAFT-DRV-SCAN | 1 | 1/P | | | | | | | | | |
| 10 | 6LA01742000 | PLY-WIRE-SCAN | 2 | 1/P | | | | | | | | | |
| 11 | 6LA39410000 | ASYS-WIR_RP-SCAN-FRT | 1 | 1/P | | | | | | | | | |
| 12 | 6LA39430000 | ASYS-WIR_RP-SCAN-RER | 1 | 1/P | | | | | | | | | |
| 13 | 6LA39733000 | BRKT-MOTR-SCAN | 1 | 1/P | | | | | | | | To: 13-1 | |
| 13-1 | 6LE46348000 | BRKT-MOTR-SCAN-410 | 1 | 1/P | | | | C | D | E | G06C700 | From: 13 | |
| 14 | 6LA39739000 | DUMPER-MOTR | 1 | 1/P | | | | | | | | To: 14-1 | |
| 14-1 | 6LA39739000 | DUMPER-MOTR | 1 | 1/P | | | | B | D | E | G06C700 | From: 14 | |
| 15 | XO-02243000 | S/TPS/FHEXM-4X8-ZU3 | 2 | 10/P | | | | | | | | To: 15-1 | |
| 15-1 | XO-02243000 | S/TPS/FHEXM-4X8-ZU3 | 0 | 10/P | | | | B | - | E | G06C700 | From: 15 | |
| 16 | 6LA67446000 | ASYS-MOTR-SCAN | 1 | 1/C | | | | | | | | To: 16-1 | |
| 16-1 | 6LE78302000 | MOTR_S-SCN-364 | 1 | 1/C | | | | C | D | E | G06C700 | From: 16 | |
| 17 | 6LA39745000 | BLT_SY-560-S2M-6 | 1 | 1/P | | | | | | | | | |
| 18 | FO-01360000 | 608ZZNRA2 | 2 | 1/P | | | | | | | | | |
| 19 | 6LA39784000 | COVER-PILLEY | 1 | 1/P | | | | | | | | | |
| 20 | 6LA39444000 | PULLEY-73S2M | 1 | 1/P | | | | | | | | | |
| 21 | XO-02239000 | S/TPS/FHEXM-3X8-ZU3 | 4 | 10/P | | | | | | | | To: 21-1 | |
| 21-1 | XO-02239000 | S/TPS/FHEXM-3X8-ZU3 | 6 | 10/P | | | | E | - | J | G06C700 | From: 21 | |
| 22 | 6LA08932000 | SCREW-ACTR-TRU | 1 | 10/P | | | | F | - | J | G06C700 | | |
| 101 | CO-10813000 | GP1A73ARJ00F | 1 | 1/P | | | | | | | | | |
| 102 | FO-00041000 | EDS-2 | 3 | 5/P | | | | | | | | To: 102-1 | |
| 102-1 | FO-01248000 | ESC-0912 | 3 | 10/P | | | | C | E | F | G07B689 | From: 102 | |
| 103 | XO-02238000 | S/TPS/FHEXM-3X6-ZU3 | 1 | 10/P | | | | | | | | | |
| 104 | XO-00077000 | S/PAN/SWWP-M3X8-NI | 3 | 10/P | | | | | | | | To: 104-1 | |
| 104-1 | XO-00077000 | S/PAN/SWWP-M3X8-NI | 1 | 10/P | | | | E | - | J | G06C700 | From: 104 | |
| 105 | XO-00455000 | S/BID-M4X10-NI | 2 | 10/P | | | | | | | | To: 105-1 | |
| 105-1 | XO-02074000 | S/TPS/BID-4X8-ZU3 | 2 | 10/P | | | | C | D | E | G06C700 | From: 105 | |
| 106 | XO-00968000 | RR/E-7-SS | 2 | 10/P | | | | | | | | | |

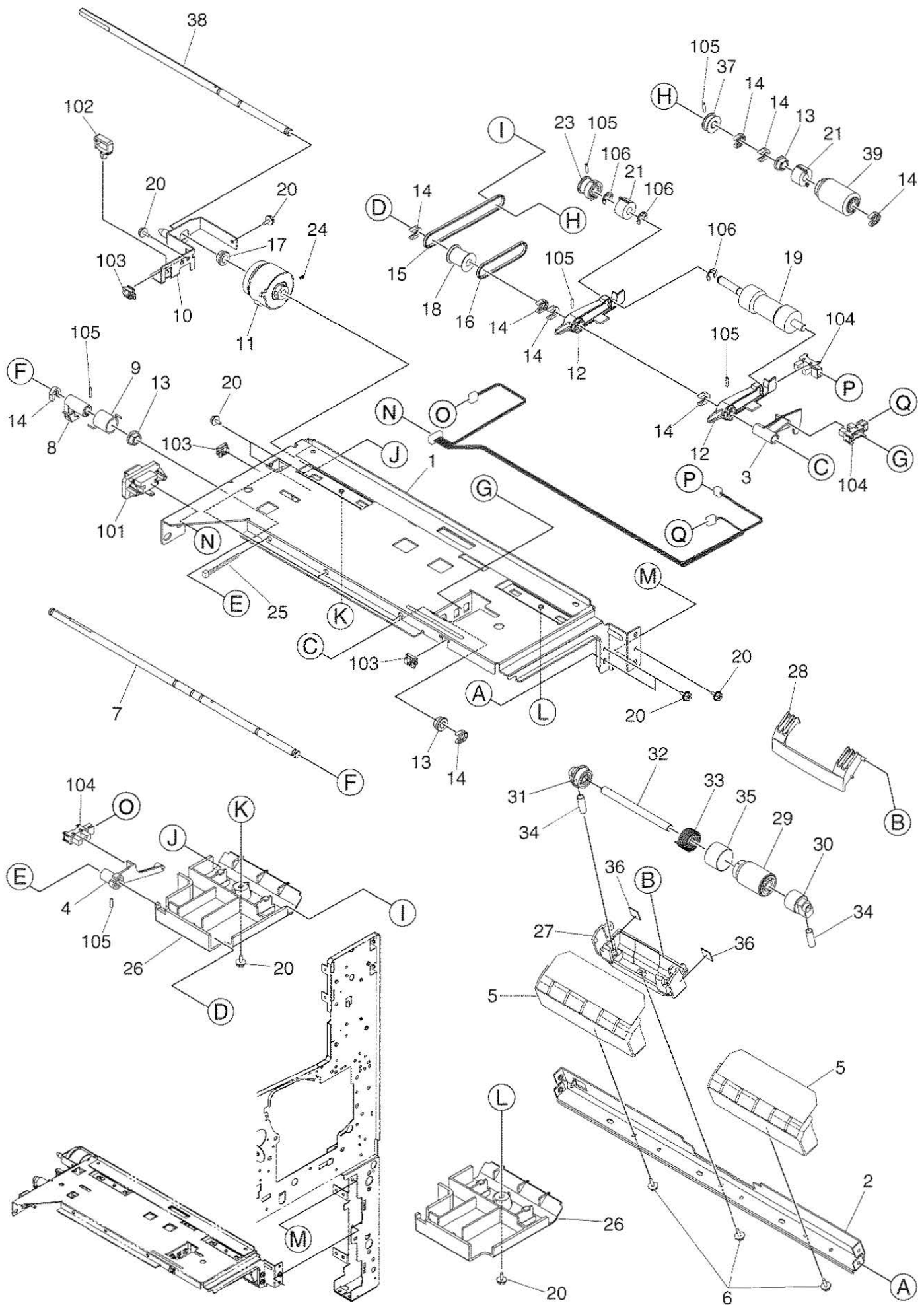


Model:

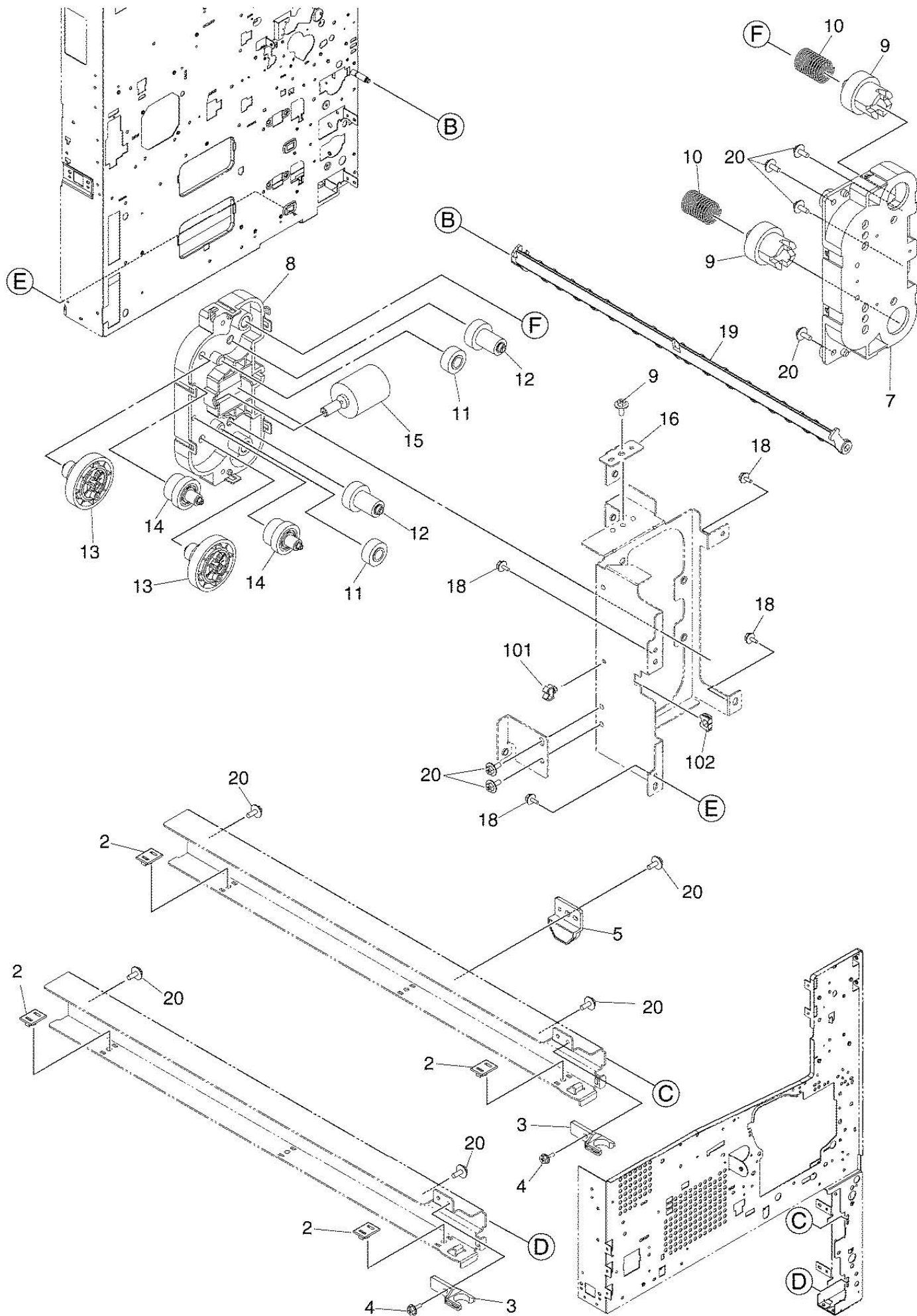
Page:

Issue
Date:

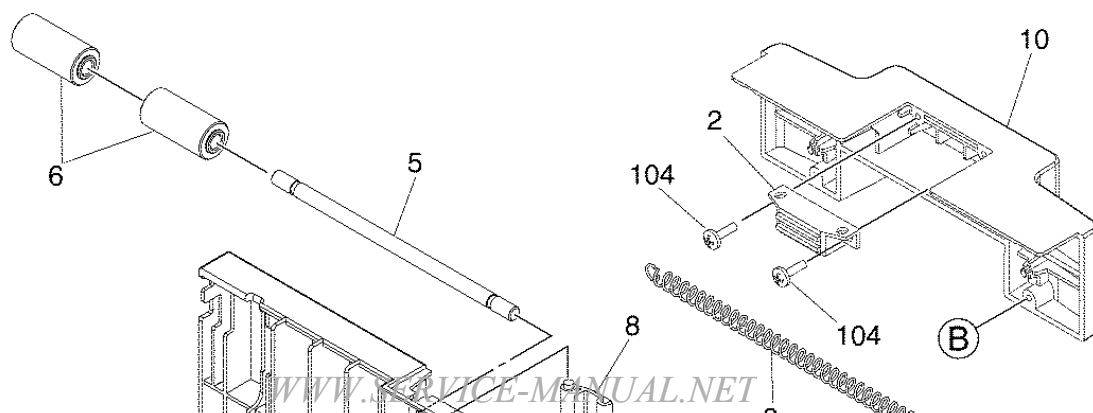
| Item No. | Parts No. | Parts Name | QTY/ Unit | QTY/ Pack | Part remarks | Catg. | Serial No. | P | I | R | BSI No. | Change | PC Board |
|----------|-------------|-----------------------|--------------|--------------|--------------|-------|------------|---|---|---|---------|------------|----------|
| 1 | 6LA47892000 | ASYS-BRKT-FEED-UNIT | 1 | 1/PP | | | | | | | | | |
| 2 | 6LA47898000 | BRKT-ROL-SEP | 1 | 1/P | | | | | | | | | |
| 3 | 41306012000 | ACTR-EMPTY-PPR | 1 | 1/P | | | | | | | | | |
| 4 | 41318603000 | ARM-FEED-UNIT | 1 | 1/P | | | | | | | | | |
| 5 | 6LA66947000 | ASYS-GUIDE-P-SEP | 2 | 1/KP | | | | | | | | | |
| 6 | X0-02247000 | S/TPP/FHEXM-3X8-NI | 3 | 10/P | | | | | | | | | |
| 7 | 41318604000 | SFT-DRV-PICK | 1 | 1/P | | | | | | | | | |
| 8 | 6LA47910000 | LEVER-RLR-PICK | 1 | 1/P | | | | | | | | | |
| 9 | 41305501000 | SPR-LVR-PICK | 1 | 1/P | | | | | | | | | |
| 10 | 6LA47895000 | ASYS-BRKT-CLT | 1 | 1/P | | | | | | | | | |
| 11 | 6LA31944000 | CLUCH-33C-6-CW-GEAR | 1 | 1/D | | | | | | | | | |
| 12 | 41306011000 | ARM-RLR-PICK | 2 | 1/P | | | | | | | | | |
| 13-1 | 6LE49741000 | BUSH-6X10X6F-POM | 3 | 5/P | | | | | | | | To: 13-2 | |
| 13-2 | 44201492000 | BUSH-6-POM | 3 | 5/P | | | | C | E | F | G06E872 | From: 13-1 | |
| 14 | 4407972860 | STOP-RING-6-5 | 9 | 5/P | | | | | | | | | |
| 15 | 41306504000 | BLT/T-194-2GT-2 | 1 | 1/P | | | | | | | | | |
| 16 | 41306502000 | BLT/T-124-2GT-2 | 1 | 1/P | | | | | | | | | |
| 17 | 4407734980 | BUSH-6-GCB | 1 | 5/P | | | | | | | | | |
| 18 | 41306002000 | PLY/T-PICK-20 | 1 | 1/P | | | | | | | | | |
| 19 | 41306719000 | ROLLER-PICK-AT | 1 | 1/KP | | MSP | | | | | | | |
| 20 | X0-02238000 | S/TPS/FHEXM-3X6-ZU3 | 10 | 10/P | | | | | | | | | |
| 21 | 4406584800 | CLUTCH-6-08L2 | 2 | 1/P | | | | | | | | To: 21-1 | |
| 21-1 | 6LE69842000 | CLUTCH-6-L | 2 | 1/P | | | | C | E | J | G07B688 | From: 21 | |
| 22 | 6LA41754000 | HRNS-PFP-FED-UNIT-576 | 1 | 1/P | | | | | | | | | |
| 23 | 41306275000 | PLY/T-20-2GT | 1 | 1/P | | | | | | | | | |
| 24 | X0-00730000 | S/SET/K-M3X4-B | 1 | 10/P | | | | | | | | | |
| 25 | FO-01470000 | KI-100M | 4 | 5/P | | | | | | | | To: 25-1 | |
| 25-1 | FO-01012000 | T18R | 4 | 5/P | | | | C | E | J | G07B684 | From: 25 | |
| 26 | 6LA47908000 | GUIDE-P-FEED | 2 | 1/P | | | | | | | | | |
| 27 | 44201805000 | HLDR-SEP-ROL-DM | 1 | 1/P | | | | | | | | | |
| 28 | 44201810000 | LEV-ROL-SEP-DM | 1 | 1/P | | | | | | | | | |
| 29 | 41304047100 | K-ROLL-SPT | 1 | 1/P | | MSP | | | | | | | |
| 30 | 41306279000 | ARBOR-SPT-F | 1 | 1/P | | | | | | | | | |
| 31 | 41306278000 | ARBOR-SPT-R | 1 | 1/P | | | | | | | | | |
| 32 | 41304506000 | SFT-SEP-AT | 1 | 1/P | | | | | | | | | |
| 33 | 44201817000 | SPR-1.0-15.60RF | 1 | 5/P | | | | | | | | | |
| 34 | 6LA47909000 | SPC055-045-01525 | 2 | 5/P | | | | | | | | | |
| 35 | 44201773000 | COV-SPE/ARBOR | 1 | 1/P | | | | | | | | | |
| 36 | 41319491000 | CHIP-HLDR-SEP | 2 | 1/P | | | | | | | | | |
| 37 | 41306274000 | PLY/T-20-ROL-2G | 1 | 1/P | | | | | | | | | |
| 38 | 41304508000 | SFT-ROL-FEED | 1 | 1/P | | | | | | | | | |
| 39-1 | 6LE69833000 | K-ROLL-FEED | 1 | 1/P | | MSP | | | | | | | |
| 101 | EO-08732000 | 54702-1219 | 1 | 5/P | | | | | | | | | |
| 102 | FO-00235000 | LWS-1S | 1 | 5/P | | | | | | | | | |
| 103 | FO-00671000 | EDS-0607M | 3 | 5/P | | | | | | | | | |
| 104 | CO-10813000 | GP1A73ARJ00F | 3 | 1/P | | | | | | | | | |
| 105 | X0-00979000 | P/PRL/AH7-2X8-SS | 5 | 10/P | | | | | | | | | |
| 106 | X0-00966000 | RR/E-5-SS | 3 | 10/P | | | | | | | | | |

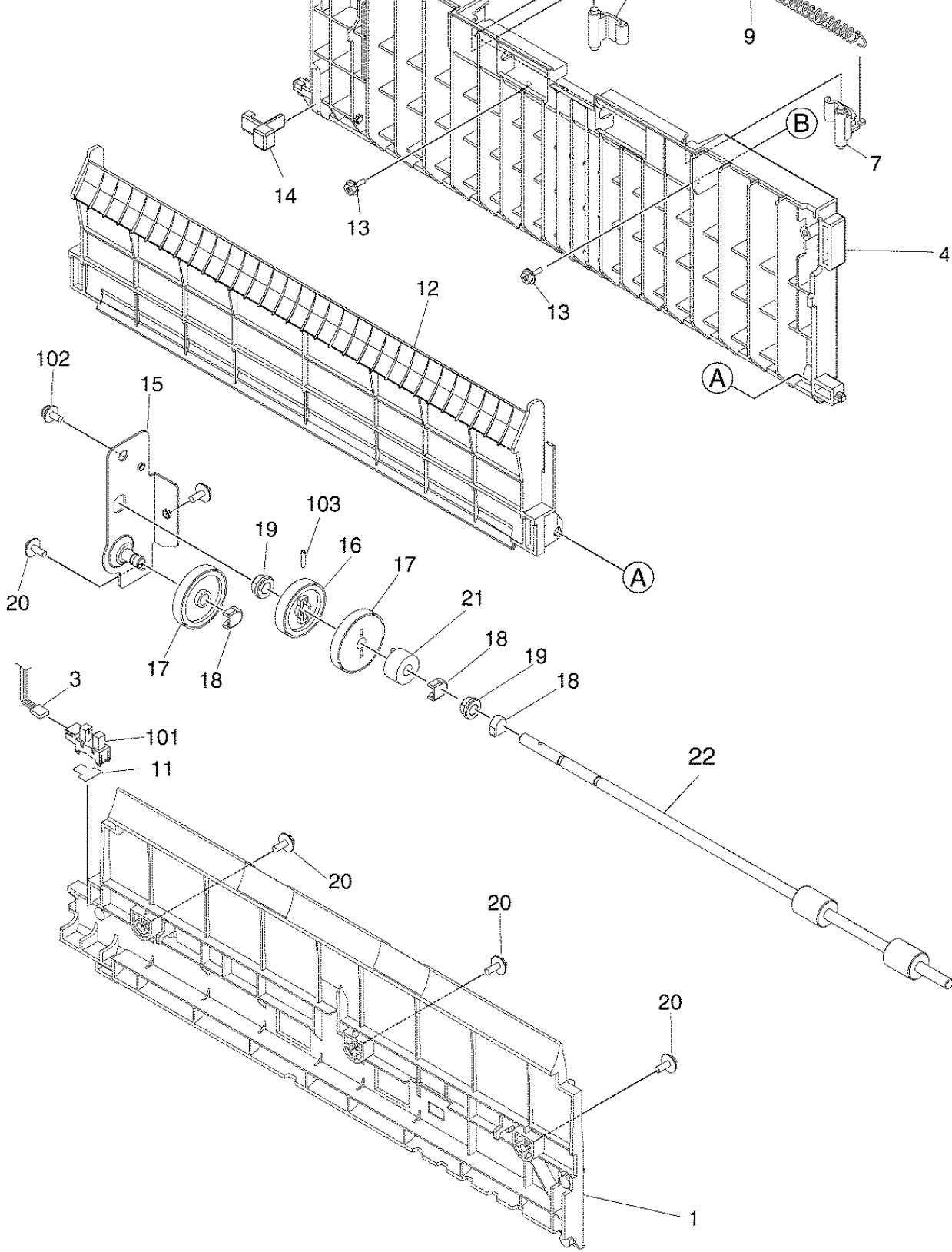


| Item No. | Parts No. | Parts Name | QTY/ Unit | QTY/ Pack | Part remarks | Catg. | Serial No. | P | I | R | BSI No. | Change | PC Board |
|----------|-------------|----------------------|--------------|--------------|--------------|-------|------------|---|---|---|---------|--------|----------|
| 2 | 41306007000 | SLIDER-CST | 4 | 1/P | | | | | | | | | |
| 3 | 44201601000 | CATCH-CST-320 | 2 | 1/P | | | | | | | | | |
| 4 | X0-02239000 | S/TPS/FHEXM-3X8-ZU3 | 2 | 10/P | | | | | | | | | |
| 5 | 6LA82867000 | HOLDER-FEEDER-371 | 1 | 1/P | | | | | | | | | |
| 7 | 44201850000 | CASE-DRV-TRY-F | 1 | 1/D | | | | | | | | | |
| 8 | 44201851000 | CASE-DRV-TRY-R | 1 | 1/C | | | | | | | | | |
| 9 | 41306022000 | CPG-LIFT-28 | 2 | 1/P | | | | | | | | | |
| 10 | 4401966050 | SPC172-100-3400 | 2 | 1/P | | | | | | | | | |
| 11 | 41306025000 | GER-TRAY-21 | 2 | 1/P | | | | | | | | | |
| 12 | 41306024000 | GER-TRAY-24-14 | 2 | 1/P | | | | | | | | | |
| 13 | 44201853000 | G06S-13-G05S-80 | 2 | 1/P | | | | | | | | | |
| 14 | 44201854000 | G05H-45/G05S-15 | 2 | 1/P | | | | | | | | | |
| 15 | 6LE71176000 | ASYS-MOTR-D-TRAY-210 | 1 | 1/D | | | | | | | | | |
| 16 | 6LE85551000 | HOLDER-SYS-PCI | 1 | 1/P | | | | | | | | | |
| 18 | X0-02238000 | S/TPS/FHEXM-3X6-ZU3 | 4 | 10/P | | | | | | | | | |
| 19 | 6LA79064000 | GUIDE-JUNCTION-371 | 1 | 1/D | | | | | | | | | |
| 20 | X0-02243000 | S/TPS/FHEXM-4X8-ZU3 | 13 | 10/P | | | | | | | | | |
| 101 | FO-00043000 | UAMS-05SN-W | 1 | 5/P | | | | | | | | | |
| 102-1 | FO-00120000 | ES-0505 | 1 | 5/P | | | | | | | | | |



| Item No. | Parts No. | Parts Name | QTY/ Unit | QTY/ Pack | Part remarks | Catg. | Serial No. | P | I | R | BSI No. | Change | PC Board |
|----------|-------------|---------------------|-----------|-----------|--------------|-------|------------|---|---|---|---------|----------|----------|
| 1 | 6LA82818000 | ASYS-GID-FEED-L-371 | 1 | 1/PP | | | | | | | | | |
| 2 | F0-01393000 | CA-0124B | 1 | 1/P | | | | | | | | | |
| 3 | 6LA89459000 | HRNS-CST-SDCV-371 | 1 | 1/P | | | | | | | | | |
| 4 | 6LA82822000 | COVER-GUIDE-LOW-371 | 1 | 1/PP | | | | | | | | | |
| 5 | 6LA85835000 | SHAFT-RELAY-IDL | 1 | 1/P | | | | | | | | | |
| 6 | 6LA85834000 | ROL-RELAY-FEED-IDL | 2 | 1/P | | | | | | | | | |
| 7 | 6LA88317000 | LVR-SEP-RELAY-F-371 | 1 | 1/P | | | | | | | | | |
| 8 | 6LA88318000 | LVR-SEP-RELAY-R-371 | 1 | 1/P | | | | | | | | | |
| 9 | 6LA82827000 | SPG-E-6R7XR7X79R55 | 1 | 1/P | | | | | | | | | |
| 10 | 6LA82823000 | COVER-GUIDE-LOW-HDL | 1 | 1/PP | | | | | | | | | |
| 11 | 6LA85910000 | MYLAR-SUPPORT-SNS | 1 | 5/P | | | | | | | | | |
| 12 | 6LA82824000 | GUIDE-OPEN-L-371 | 1 | 1/PP | | | | | | | | | |
| 13 | X0-02247000 | S/TPP/FHEXM-3X8-NI | 2 | 10/P | | | | | | | | | |
| 14 | 6LA82825000 | STOPPER-COV-GID-371 | 1 | 1/P | | | | | | | | | |
| 15 | 6LA83092000 | ASYS-BRKT-DRV-FIX | 1 | 1/P | | | | | | | | | |
| 16 | 6LA83114000 | GEAR-10S028-06 | 1 | 1/P | | | | | | | | | |
| 17 | 6LA83111000 | GEAR-10S031-06 | 2 | 1/P | | | | | | | | | |
| 18 | 4407972860 | STOP-RING-6-5 | 3 | 5/P | | | | | | | | | |
| 19 | 4407734980 | BUSH-6-GCB | 2 | 5/P | | | | | | | | | |
| 20 | X0-02243000 | S/TPS/FHEXM-4X8-ZU3 | 5 | 10/P | | | | | | | | | |
| 21 | 4406584800 | CLUTCH-6-08L2 | 1 | 1/P | | | | | | | | To: 21-1 | |
| 21-1 | 6LE69842000 | CLUTCH-6-L | 1 | 1/P | | | | C | E | J | G07B688 | From: 21 | |
| 22 | 6LA83001000 | ROL-FEEDER-371 | 1 | 1/KP | | | | | | | | | |
| 101 | C0-10813000 | GP1A73ARJ00F | 1 | 1/P | | | | | | | | | |
| 102 | X0-00164000 | S/PAN/SWWP-M4X8-NI | 1 | 10/P | | | | | | | | | |
| 103 | X0-00980000 | P/PRL/AH7-2X10-SS | 1 | 10/P | | | | | | | | | |
| 104 | X0-01989000 | S/TPP/BID-3X8-NI | 2 | 10/P | | | | | | | | | |



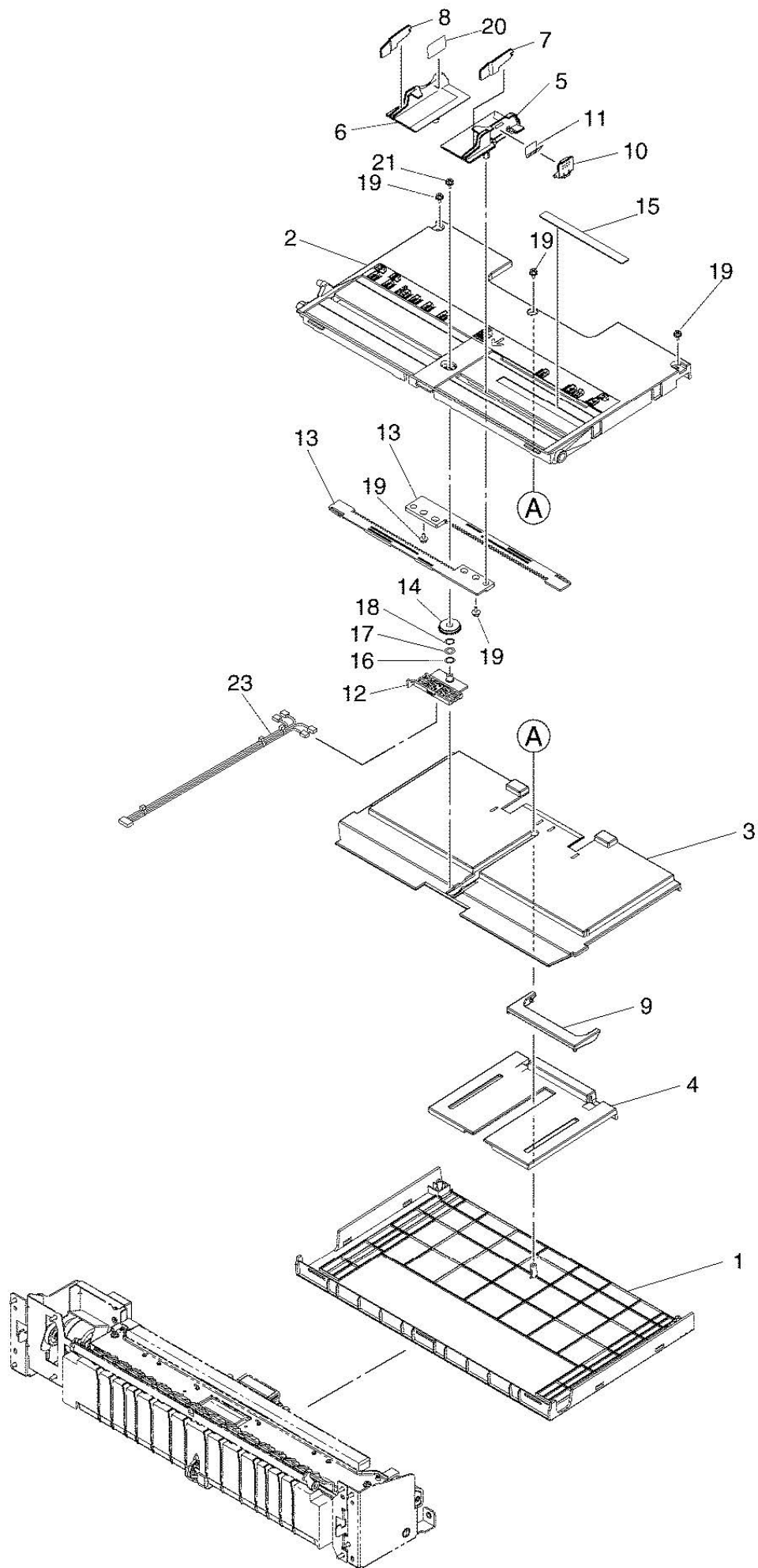


Model:

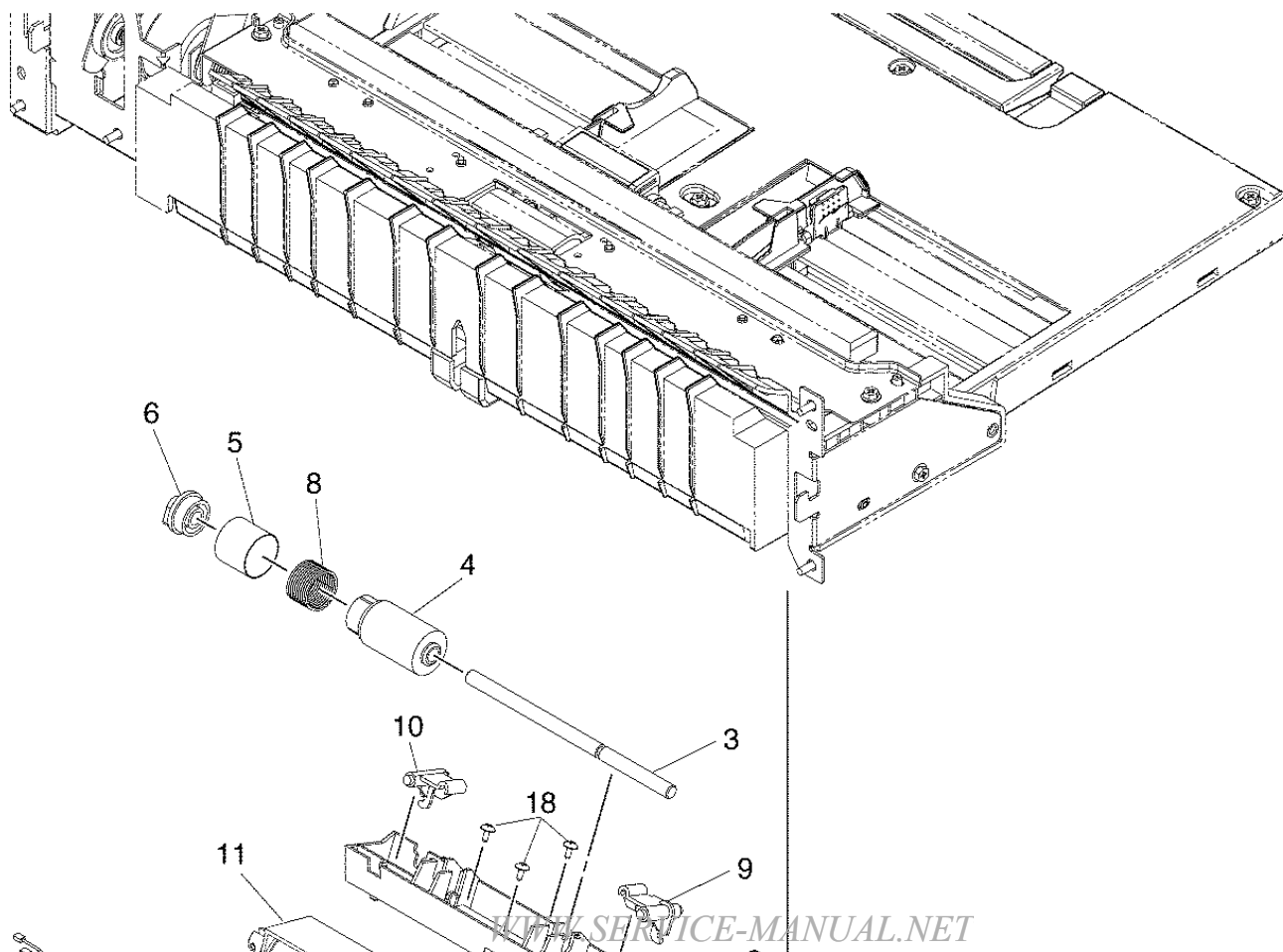
Page:

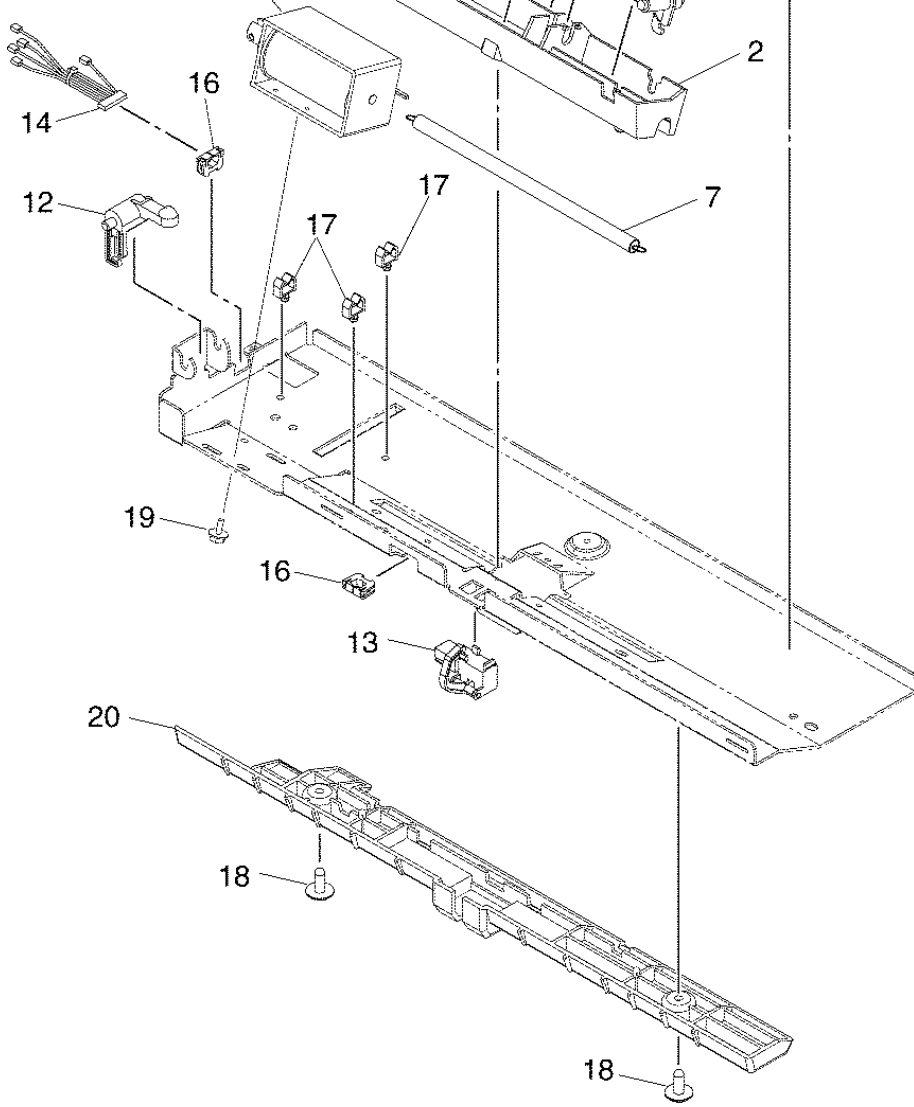
Issue
Date:

| Item No. | Parts No. | Parts Name | QTY/ Unit | QTY/ Pack | Part remarks | Catg. | Serial No. | P | I | R | BSI No. | Change | PC Board |
|----------|-------------|-----------------------|--------------|--------------|--------------|-------|------------|---|---|---|---------|--------|----------|
| 1 | 6LA79092000 | TRAY-BYPASS-L-371 | 1 | 1/PP | | | | | | | | | |
| 2 | 6LA78911000 | TRAY-BYPASS-U-371 | 1 | 1/PP | | | | | | | | | |
| 3 | 6LA79101000 | TRAY-BYP-MID | 1 | 1/PP | | | | | | | | | |
| 4 | 6LA64859000 | TRAY-BYP-M-SUB | 1 | 1/D | | | | | | | | | |
| 5 | 6LA79094000 | GUIDE-TRAY-BYP-F-371 | 1 | 1/P | | | | | | | | | |
| 6 | 6LA79095000 | GUIDE-TRAY-BYP-R-371 | 1 | 1/P | | | | | | | | | |
| 7 | 6LA79102000 | GUIDE-SUB-F-371 | 1 | 1/P | | | | | | | | | |
| 8 | 6LA79103000 | GUIDE-SUB-R-371 | 1 | 1/P | | | | | | | | | |
| 9 | 6LA64856000 | STOP-PAPER-BYP | 1 | 1/P | | | | | | | | | |
| 10 | 6LA79104000 | LVR-GUIDE-F-371 | 1 | 1/P | | | | | | | | | |
| 11 | 6LA79105000 | SPG-GUIDE-F-371 | 1 | 1/P | | | | | | | | | |
| 12 | 6LA78990000 | ASYS-HOLDER-PINI-371 | 1 | 1/C | | | | | | | | | |
| 13 | 6LA79096000 | RACK-BYP-371 | 2 | 1/PP | | | | | | | | | |
| 14 | 4407726480 | PINION-18-395 | 1 | 1/P | | | | | | | | | |
| 15 | 6LA29009000 | SHEET-PAD-GUIDE-F | 1 | 1/KP | | | | | | | | | |
| 16 | 6LA78908000 | WASHER-6R2X9R5XR25-PL | 1 | 5/P | | | | | | | | | |
| 17 | 4400974200 | WASHER-W-6-10 | 1 | 10/P | | | | | | | | | |
| 18 | 6LA78907000 | WASHER-6R2X9R5XR13-PL | 1 | 5/P | | | | | | | | | |
| 19 | X0-02246000 | S/TPP/FHEXM-3X6-NI | 5 | 10/P | | | | | | | | | |
| 20 | 6LA91348000 | LBL-HIGH-TRAY-371 | 1 | 5/KP | | | | | | | | | |
| 21 | X0-02247000 | S/TPP/FHEXM-3X8-NI | 1 | 10/P | | | | | | | | | |
| 23 | 6LA89429000 | HRNS-SFB-SIZE-371 | 1 | 1/P | | | | | | | | | |

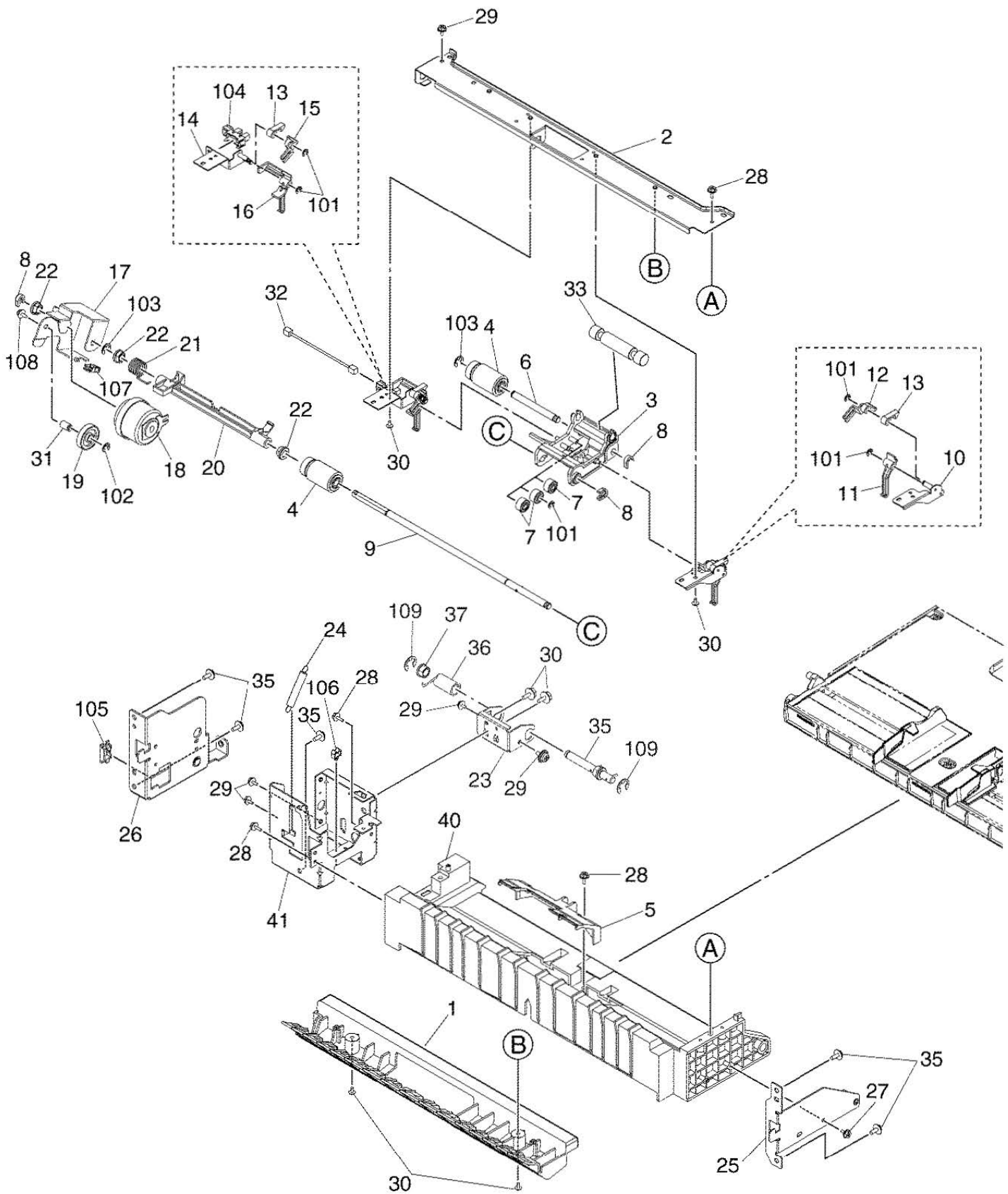


| Item No. | Parts No. | Parts Name | QTY/ Unit | QTY/ Pack | Part remarks | Catg. | Serial No. | P | I | R | BSI No. | Change | PC Board |
|----------|-------------|--------------------|-----------|-----------|--------------|-------|------------|---|---|---|---------|--------|----------|
| 2 | 6LA78957000 | HLDR-SPT-BYP-371 | 1 | 1/P | | | | | | | | | |
| 3 | 6LA78962000 | SHAFT-SPT-BYP-371 | 1 | 1/P | | | | | | | | | |
| 4 | 6LA28899000 | ASYS-ROLL-SPT-L30 | 1 | 1/P | | MSP | | | | | | | |
| 5 | 6LA28861000 | COVER-SPE-ARBOR-17 | 1 | 1/P | | | | | | | | | |
| 6 | 6LA28863000 | ARBOR-SPT-BYP | 1 | 1/P | | | | | | | | | |
| 7 | 6LA28840000 | SPG-E-6XR6X91R7R | 1 | 1/P | | | | | | | | | |
| 8 | 6LA28865000 | SPR-1.0-15.65-13L | 1 | 1/P | | | | | | | | | |
| 9 | 6LA78959000 | LVR-SPT-BYP-F-371 | 1 | 1/P | | | | | | | | | |
| 10 | 6LA78960000 | LVR-SPT-BYP-R-371 | 1 | 1/P | | | | | | | | | |
| 11 | 6LA15259000 | SOL-SFB-340 | 1 | 1/D | | | | | | | | | |
| 12 | 6LA78981000 | LVR-PICKUP-SOL-371 | 1 | 1/P | | | | | | | | | |
| 13 | 6LE09239000 | SNSR-FED-390 | 1 | 1/P | | | | | | | | | |
| 14 | 6LE88065000 | HRNS-SFB-377 | 1 | 1/P | | | | | | | | | |
| 16-1 | FO-00120000 | ES-0505 | 2 | 5/P | | | | | | | | | |
| 17 | FO-00044000 | UAMS-05-2 | 3 | 5/P | | | | | | | | | |
| 18 | 6LA08935000 | SCR-M3X6BISR-NI | 5 | 10/P | | | | | | | | | |
| 19 | X0-00430000 | S/BID-M3X6-NI | 2 | 10/P | | | | | | | | | |
| 20 | 6LA78931000 | GUIDE-FEED-L-SNS | 1 | 1/P | | | | | | | | | |

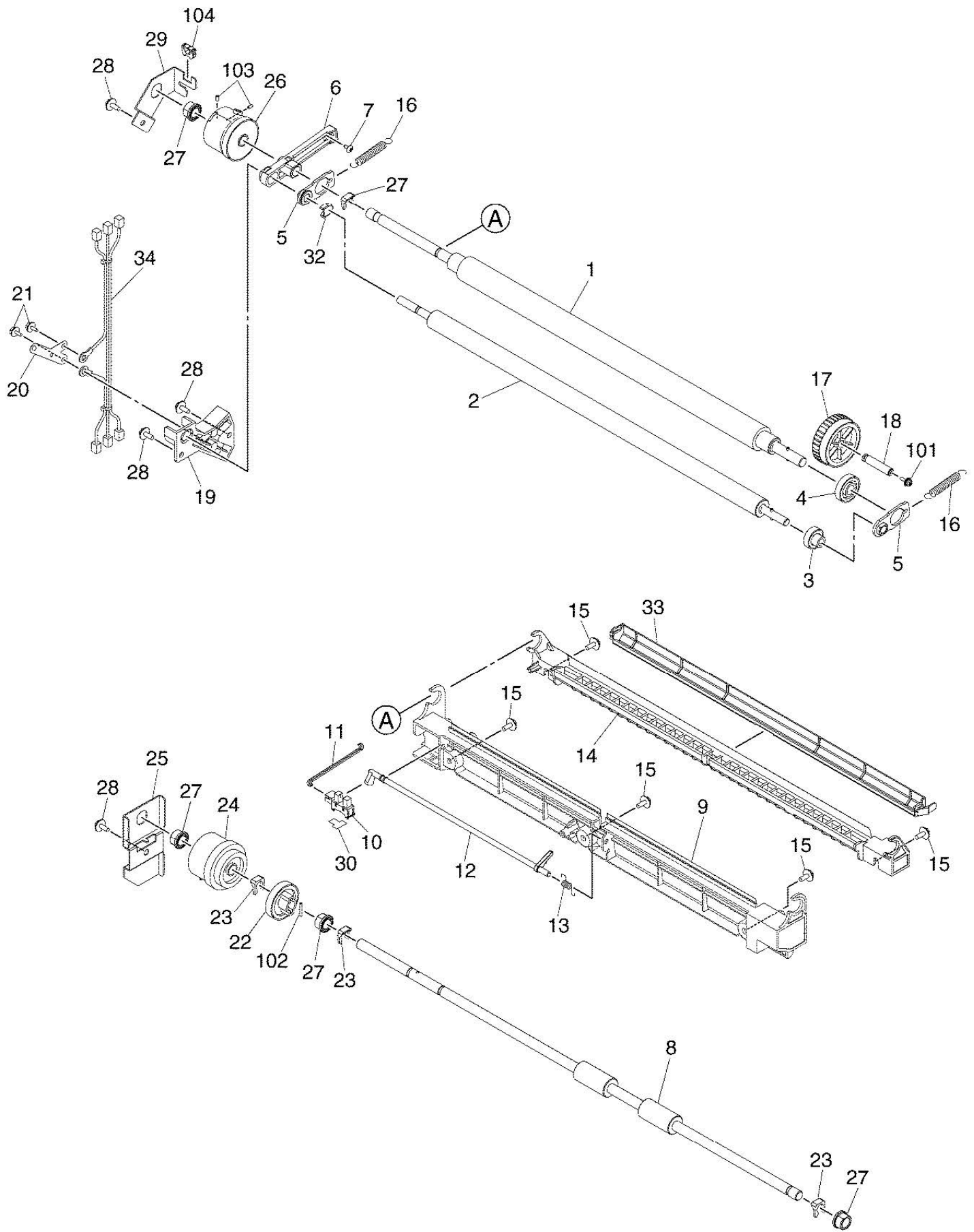




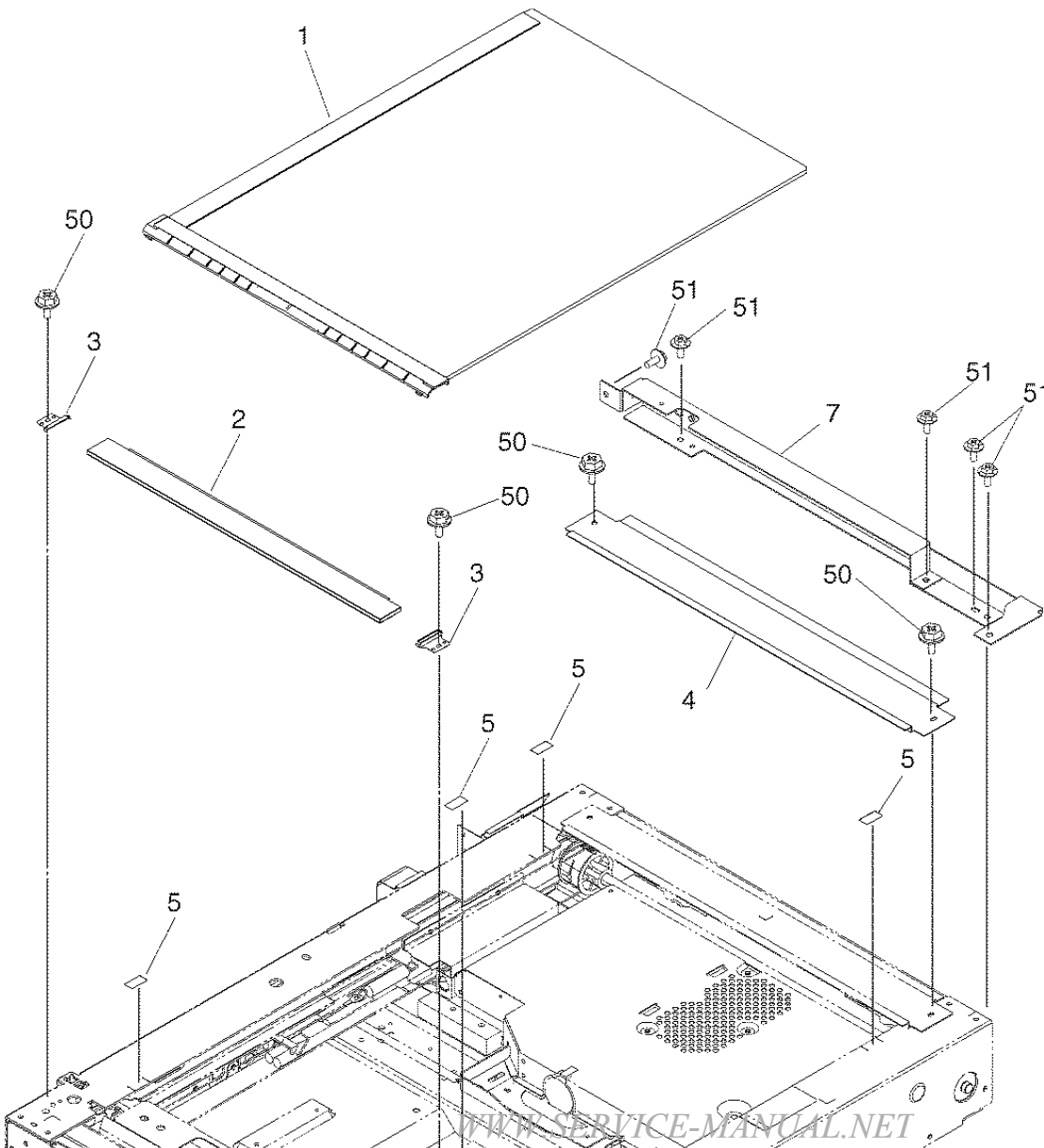
| Item No. | Parts No. | Parts Name | QTY/ Unit | QTY/ Pack | Part remarks | Catg. | Serial No. | P | I | R | BSI No. | Change | PC Board |
|----------|-------------|------------------------|--------------|--------------|--------------|-------|------------|---|---|---|---------|------------------------|----------|
| 1 | 6LA79063000 | GUIDE-BYP-UP-371 | 1 | 1/PP | | | | | | | | | |
| 2 | 6LA78909000 | STAY-BYP-U-371 | 1 | 1/P | | | | | | | | | |
| 3 | 6LA79033000 | ARM-PICK-371 | 1 | 1/P | | | | | | | | | |
| 4 | 6LA79037000 | ASYS-ROL-PICK-371 | 2 | 1/P | | MSP | | | | | | | |
| 5 | 6LA78904000 | ASYS-LID-FRAME-BYP-371 | 1 | 1/PP | | | | | | | | | |
| 6 | 6LA79067000 | SHAFT-PICK-UP-BYP | 1 | 1/P | | | | | | | | | |
| 7 | 6LA79034000 | GEAR-06S018-04 | 3 | 1/P | | | | | | | | | |
| 8 | 4407972860 | STOP-RING-6-5 | 3 | 5/P | | | | | | | | | |
| 9 | 6LA79050000 | ASYS-SFT-FEED-BYP | 1 | 1/P | | | | | | | | | |
| 10 | 6LA79025000 | ASYS-BKT-STOP-F | 1 | 1/P | | | | | | | | | |
| 11 | 6LA79024000 | STPR-BYP-F-371 | 1 | 1/P | | | | | | | | | |
| 12 | 4401965250 | LEVER-STOPPER-F | 1 | 1/P | | | | | | | | | |
| 13 | 4401965270 | ARM-STOPPER | 2 | 5/P | | | | | | | | | |
| 14 | 6LA79040000 | ASYS-BRKT-STPR-R-371 | 1 | 1/P | | | | | | | | | |
| 15 | 6LA79057000 | LVR-STOPPER-R-371 | 1 | 1/P | | | | | | | | | |
| 16 | 6LA79061000 | STPR-BYP-R-371 | 1 | 1/P | | | | | | | | | |
| 16-1 | 6LE84350000 | STPR-BYP-R-371 | 1 | 1/P | | | | C | B | D | G06J331 | To: 16-1 From: 16 | |
| 17 | 6LA78940000 | ARM-DRV-JOINT-BYP-371 | 1 | 1/P | | | | | | | | | |
| 18 | 6LA78512000 | CLUTCH-G28-06D-35E | 1 | 1/D | | | | | | | | | |
| 19 | 6LA79005000 | GEAR-10S022-06-DRV | 1 | 1/P | | | | | | | | | |
| 20 | 6LA79056000 | LVR-PICK-JOINT | 1 | 1/P | | | | | | | | | |
| 21 | 6LA78980000 | SPG-PICKUP-8-371 | 1 | 1/P | | | | | | | | | |
| 22 | 4407734980 | BUSH-6-GCB | 3 | 5/P | | | | | | | | | |
| 23 | 6LA79111000 | BRKT-HING-BYP-R | 1 | 1/P | | | | | | | | | |
| 24 | 6LA34033000 | SPG-E-6XR45X22R8 | 1 | 1/P | | | | | | | | | |
| 25 | 6LA79081000 | ASYS-BKT-TRAY-HINGE | 1 | 1/P | | | | | | | | | |
| 26 | 6LA78535000 | ASYS-BRKT-HING-ADU-R | 1 | 1/P | | | | | | | | | |
| 27 | X0-02246000 | S/TPP/FHEXM-3X6-NI | 1 | 10/P | | | | | | | | | |
| 28 | X0-02247000 | S/TPP/FHEXM-3X8-NI | 5 | 10/P | | | | | | | | | |
| 29 | X0-02238000 | S/TPS/FHEXM-3X6-ZU3 | 4 | 10/P | | | | | | | | | |
| 30 | 6LA08935000 | SCR-M3X6BISR-NI | 4 | 10/P | | | | | | | | | |
| 31 | 6LA79073000 | STUD-JOINT-BYP-371 | 1 | 1/P | | | | | | | | | |
| 32 | 6LA89476000 | HRNS-SFB-SNR-371 | 1 | 1/P | | | | | | | | | |
| 33 | 6LA79076000 | WEIGHT-ROLLER-PICK | 1 | 1/P | | | | | | | | | |
| 35 | 6LA28766000 | ASYS-SFT-TRAY-BYP-350 | 1 | 1/P | | | | | | | | | |
| 36 | 6LA79112000 | SPA-HINGE-BYP-371 | 1 | 1/P | | | | | | | | | |
| 37 | 4400802080 | BUSH-8 | 1 | 5/P | | | | | | | | | |
| 40 | 6LA78920000 | ASYS-FRAME-BYP-371 | 1 | 1/PP | | | | | | | | | |
| 41 | 6LA78923000 | FRAME-SUB-BYP-371 | 1 | 1/PP | | | | | | | | | |
| 101 | X0-00964000 | RR/E-3-SS | 5 | 10/P | | | | | | | | | |
| 102 | X0-00965000 | RR/E-4-SS | 1 | 10/P | | | | | | | | | |
| 103 | X0-00966000 | RR/E-5-SS | 2 | 10/P | | | | | | | | | |
| 104 | CO-10813000 | GP1A73ARJ00F | 1 | 1/P | | | | | | | | | |
| 105 | FO-00041000 | EDS-2 | 1 | 5/P | | | | | | | | | |
| 105-1 | FO-01248000 | ESC-0912 | 1 | 10/P | | | | C | E | F | G07B689 | To: 105-1 From: 105 | |
| 106 | FO-00044000 | UAMS-05-2 | 1 | 5/P | | | | | | | | | |
| 107-1 | FO-00120000 | ES-0505 | 1 | 5/P | | | | | | | | | |
| 108 | X0-00060000 | S/PAN/SWWP-M3X6-NI | 1 | 10/P | | | | | | | | | |
| 109 | X0-00968000 | RR/E-7-SS | 2 | 10/P | | | | | | | | | |

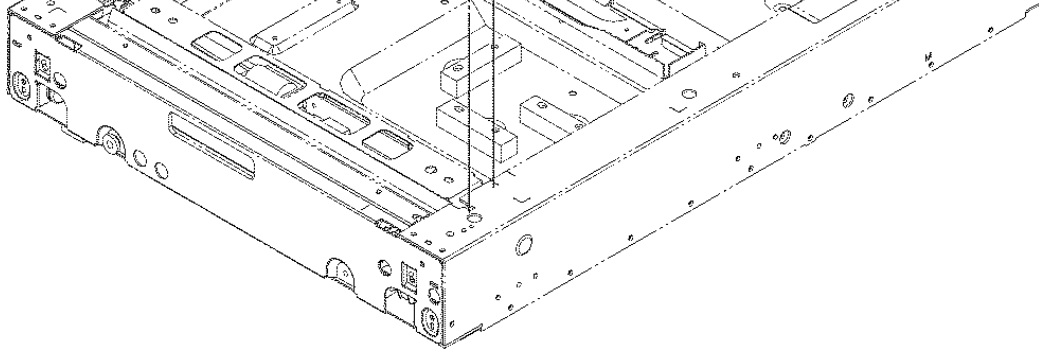


| Item No. | Parts No. | Parts Name | QTY/ Unit | QTY/ Pack | Part remarks | Catg. | Serial No. | P | I | R | BSI No. | Change | PC Board |
|----------|-------------|---------------------|--------------|--------------|--------------|-------|------------|---|---|---|---------|--------|----------|
| 1 | 6LA85802000 | ASYS-ROL-RGST | 1 | 1/KP | | | | | | | | | |
| 2 | 6LA85803000 | ASYS-ROL-RGST-IDL | 1 | 1/KP | | | | | | | | | |
| 3 | 6LA85879000 | GEAR-10S015-06 | 1 | 1/P | | | | | | | | | |
| 4 | 6LA85880000 | GEAR-10S020-08 | 1 | 1/P | | | | | | | | | |
| 5 | 6LA85863000 | PLT-RGST-TENS-371 | 2 | 1/P | | | | | | | | | |
| 6 | 6LA85862000 | HOLDER-RGST-R | 1 | 1/P | | | | | | | | | |
| 7 | 6LA08935000 | SCR-M3X6BISR-NI | 1 | 10/P | | | | | | | | | |
| 8 | 6LA85813000 | ROLLER-RELAY-FED | 1 | 1/KP | | | | | | | | | |
| 9 | 6LA85887100 | ASYS-GID-RGST-L-374 | 1 | 1/C | | | | | | | | | |
| 10 | CO-10813000 | GP1A73ARJ00F | 1 | 1/P | | | | | | | | | |
| 11 | 6LA89455000 | HRNS-RGT-SW-371 | 1 | 1/P | | | | | | | | | |
| 12 | 6LA85824000 | ACTR-RGST-371 | 1 | 1/KP | | | | | | | | | |
| 13 | 6LA85830000 | SPG-ACT-RGST-371 | 1 | 1/P | | | | | | | | | |
| 14 | 6LA85888000 | ASYS-GID-RGST-R-371 | 1 | 1/C | | | | | | | | | |
| 15 | X0-02251000 | S/TPP/FHEXM-4X8-NI | 5 | 10/P | | | | | | | | | |
| 16 | 6LA85864000 | SPG-RGST-371 | 2 | 1/P | | | | | | | | | |
| 17 | 6LA41229000 | KNOB-RGST-350 | 1 | 1/P | | | | | | | | | |
| 18 | 6LA85896000 | STUD-KNOB-RGST-371 | 1 | 1/P | | | | | | | | | |
| 19 | 6LA85871000 | HOLDER-BIAS-RGST | 1 | 1/P | | | | | | | | | |
| 20 | 6LA85872000 | SPL-BIAS-RGST | 1 | 1/P | | | | | | | | | |
| 21 | X0-02246000 | S/TPP/FHEXM-3X6-NI | 2 | 10/P | | | | | | | | | |
| 22 | 6LA85849000 | GEAR-10S028-08 | 1 | 1/P | | | | | | | | | |
| 23 | 4400336190 | STOP-RING-8 | 4 | 5/P | | | | | | | | | |
| 24 | 6LA82840000 | CLUTCH-G28-08D-35E | 1 | 1/D | | | | | | | | | |
| 25 | 6LA85869000 | BRKT-ROL-RELAY-FED | 1 | 1/P | | | | | | | | | |
| 26 | 6LA85810000 | CLUTCH-G33-CW8 | 1 | 1/D | | | | | | | | | |
| 27 | 6LA65698000 | BUSH-8X12X8F | 4 | 5/P | | | | | | | | | |
| 28 | X0-02243000 | S/TPS/FHEXM-4X8-ZU3 | 4 | 10/P | | | | | | | | | |
| 29 | 6LA85850000 | BRKT-RGST-CLT-371 | 1 | 1/P | | | | | | | | | |
| 30 | 6LA85910000 | MYLAR-SUPPORT-SNS | 1 | 5/P | | | | | | | | | |
| 32 | 4407972860 | STOP-RING-6-5 | 1 | 5/P | | | | | | | | | |
| 33 | 6LA85828000 | COVER-RGST-R-371 | 1 | 1/PP | | | | | | | | | |
| 34 | 6LA89434000 | HRNS-HVT-TCH-371 | 1 | 1/P | | | | | | | | | |
| 101 | X0-00077000 | S/PAN/SWWP-M3X8-NI | 1 | 10/P | | | | | | | | | |
| 102 | X0-01526000 | P/PRL/AH7-2X12-SS | 1 | 10/P | | | | | | | | | |
| 103 | X0-00730000 | S/SET/K-M3X4-B | 2 | 10/P | | | | | | | | | |
| 104-1 | FO-00120000 | ES-0505 | 1 | 5/P | | | | | | | | | |

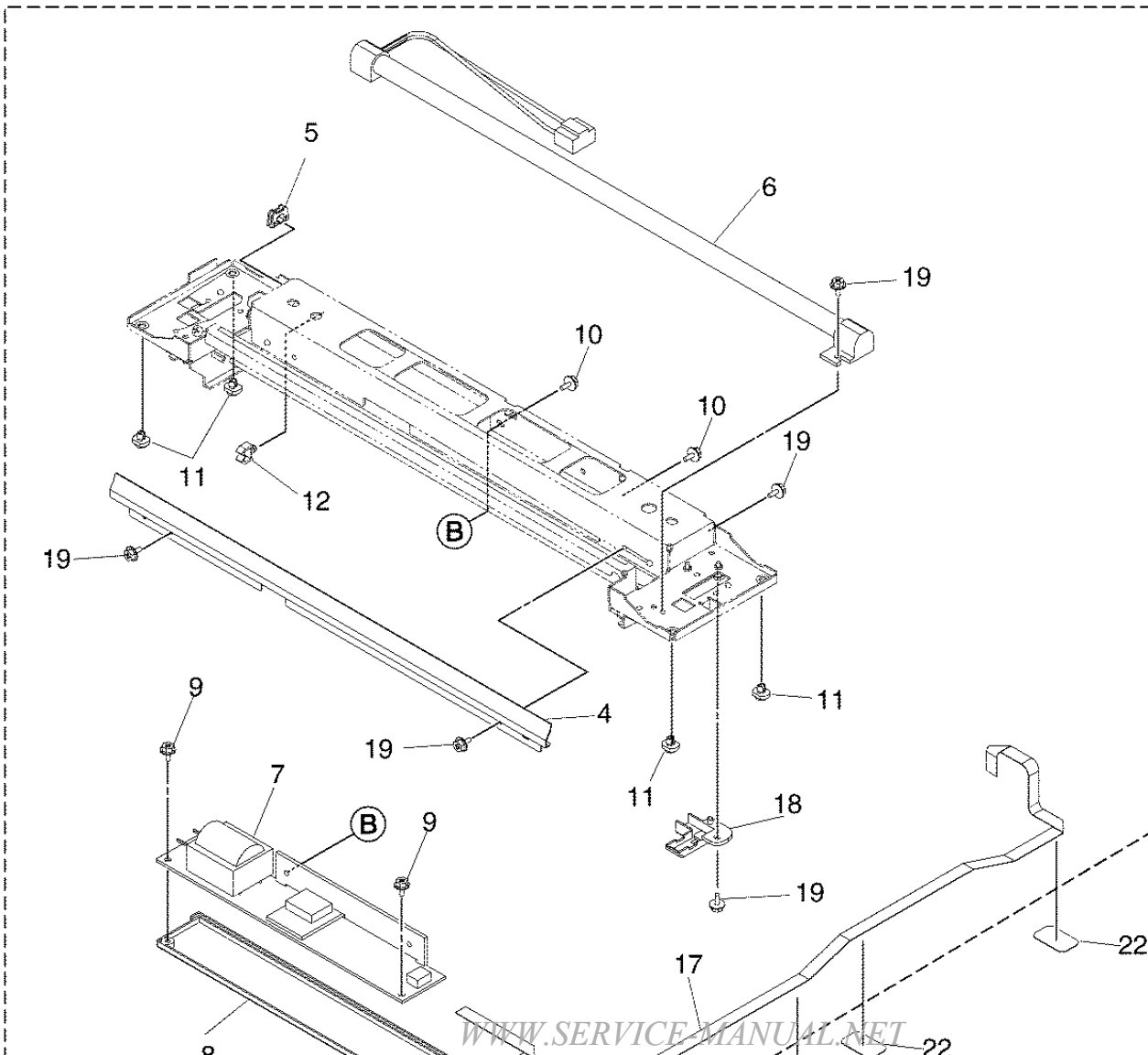


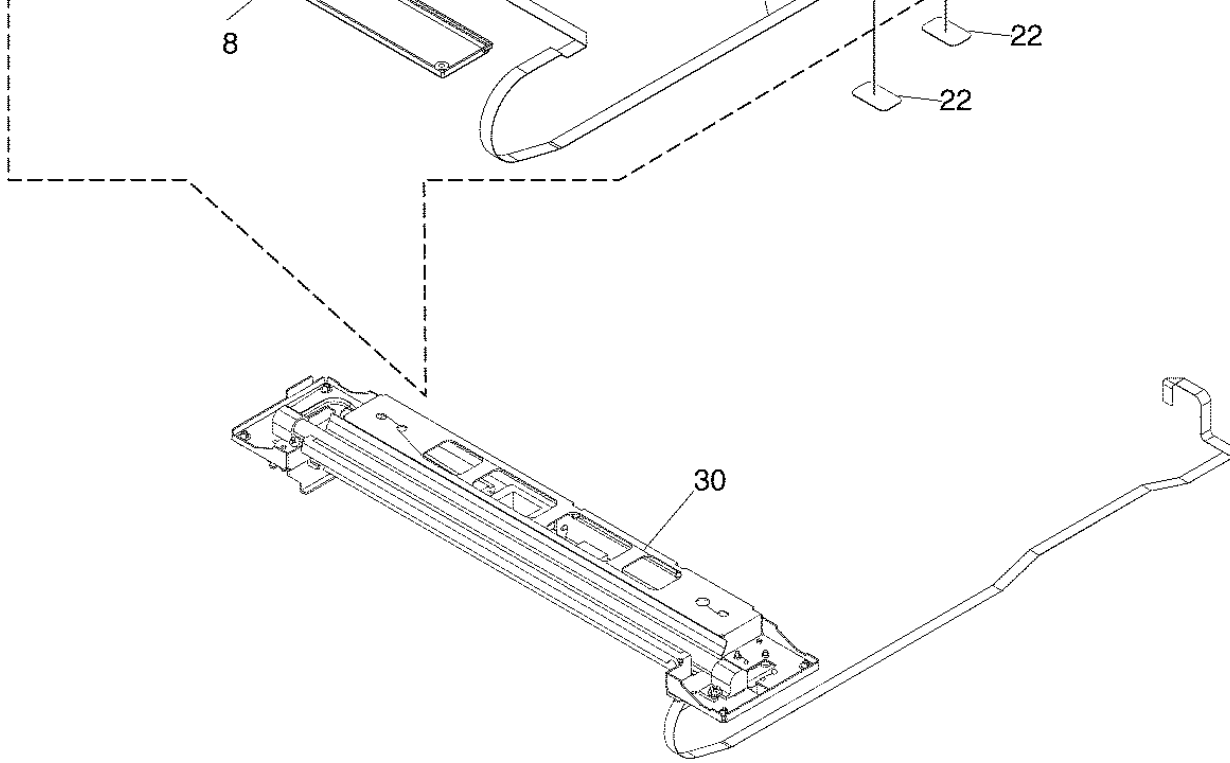
| Item No. | Parts No. | Parts Name | QTY/ Unit | QTY/ Pack | Part remarks | Catg. | Serial No. | P | I | R | BSI No. | Change | PC Board |
|----------|-------------|---------------------|-----------|-----------|--------------------------------|-------|------------|---|---|---|---------|--------|----------|
| 1A | 6LE77420000 | ASYS-GLASS-364-A | 1 | 1/S | MJD AUD ASD ASU SAD KRD ARD | | | | | | | | |
| 1B | 6LE77420100 | ASYS-GLASS-364-L | 1 | 1/S | NAD | | | | | | | | |
| 1C | 6LE77420200 | ASYS-GLASS-364-K | 1 | 1/S | TWD CND | | | | | | | | |
| 2 | 6LA67448000 | ASYS-GLASS-ADF | 1 | 1/PP | | | | | | | | | |
| 3 | 6LA39841000 | SPL-GLASS-ADF | 2 | 1/P | | | | | | | | | |
| 4 | 6LA39866000 | STAY-TP-RGT-SCAN | 1 | 1/P | | | | | | | | | |
| 5 | 44202810000 | CUSH-GLASS | 4 | 5/P | | | | | | | | | |
| 7 | 6LA86439000 | BRKT-TRY-RGT | 1 | 1/P | | | | | | | | | |
| 50 | X0-02238000 | S/TPS/FHEXM-3X6-ZU3 | 4 | 10/P | | | | | | | | | |
| 51 | X0-02243000 | S/TPS/FHEXM-4X8-ZU3 | 5 | 10/P | | | | | | | | | |



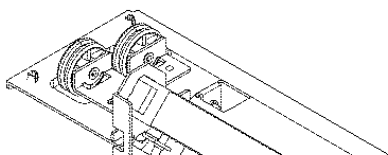
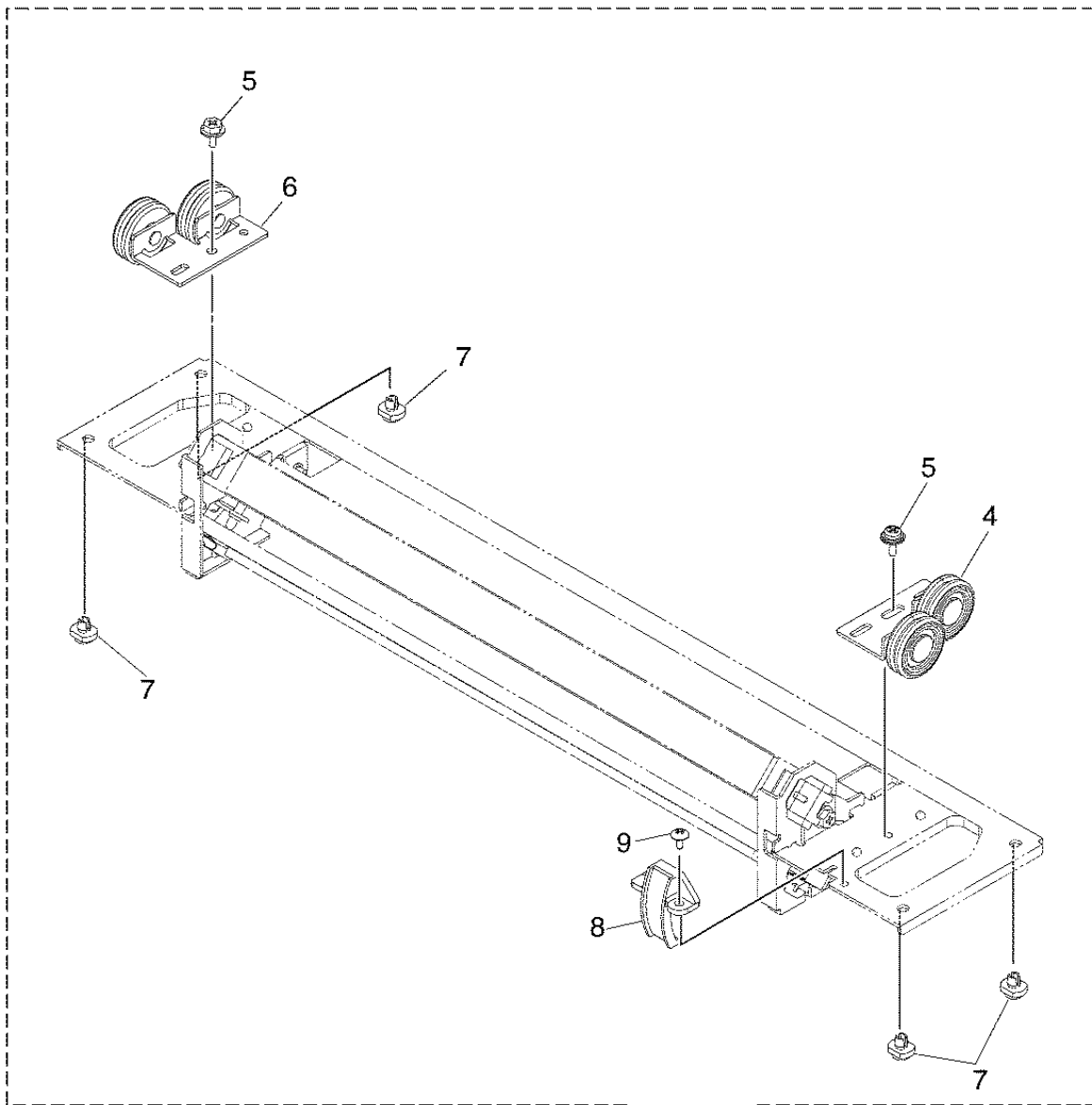


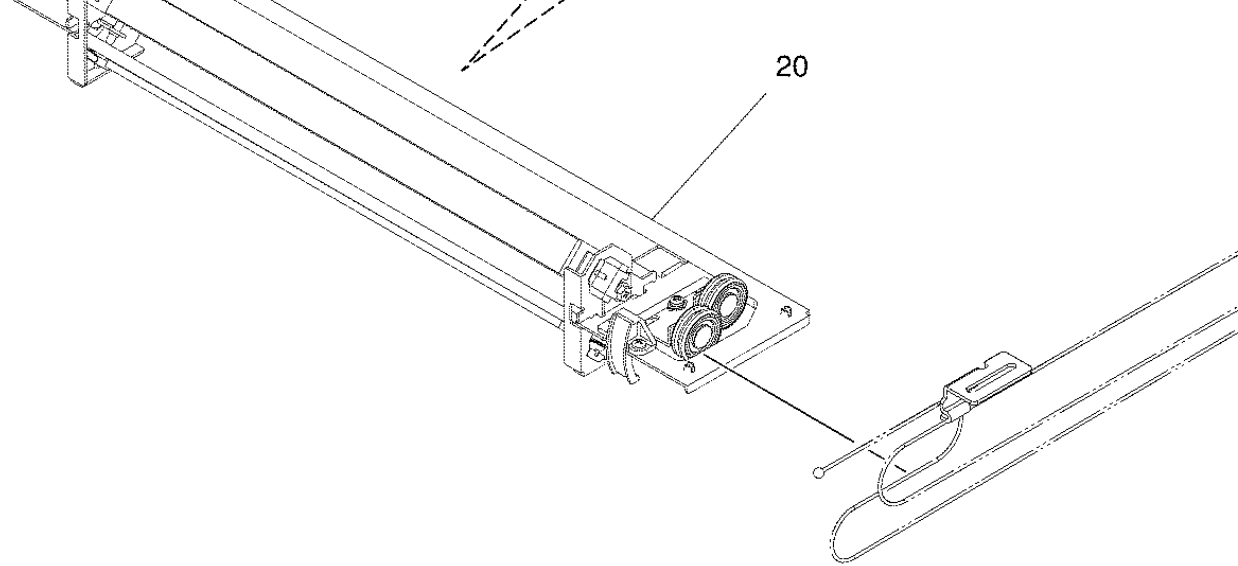
| Item No. | Parts No. | Parts Name | QTY/ Unit | QTY/ Pack | Part remarks | Catg. | Serial No. | P | I | R | BSI No. | Change | PC Board |
|----------|-------------|---------------------|-----------|-----------|--------------|-------|------------|---|---|---|---------|--------|----------|
| 4 | 6LA39553000 | REFLECTOR-LAMP | 1 | 1/D | | | | | | | | | |
| 5 | F0-00120000 | ES-0505 | 1 | 5/P | | | | | | | | | |
| 6 | 6LE78187000 | LAMP-EXPO-364 | 1 | 1/S | | | | | | | | | |
| 7 | 6LA64203000 | INV-EXPO-360 | 1 | 1/C | | | | | | | | | |
| 8 | 6LA39548000 | COVER-INV | 1 | 1/P | | | | | | | | | |
| 9 | X0-02246000 | S/TPP/FHEXM-3X6-NI | 2 | 10/P | | | | | | | | | |
| 10 | X0-02230000 | S/FHEXM-M3X6-NI | 2 | 10/P | | | | | | | | | |
| 11 | 4408604590 | FOOT-CRG-3.64 | 4 | 5/P | | | | | | | | | |
| 12 | F0-00044000 | UAMS-05-2 | 1 | 5/P | | | | | | | | | |
| 17 | 6LA71382000 | HRNS-INV-360 | 1 | 1/C | | | | | | | | | |
| 18 | 6LA39572000 | GUIDE-HRNS-CRG1 | 1 | 1/P | | | | | | | | | |
| 19 | X0-02238000 | S/TPS/FHEXM-3X6-ZU3 | 8 | 10/P | | | | | | | | | |
| 22 | 6LA39577000 | MYLAR-HRNS-INV | 3 | 1/P | | | | | | | | | |
| 30 | 6LA85761100 | CARRIGE-1-364 | 1 | 1/S | | | | | | | | | |



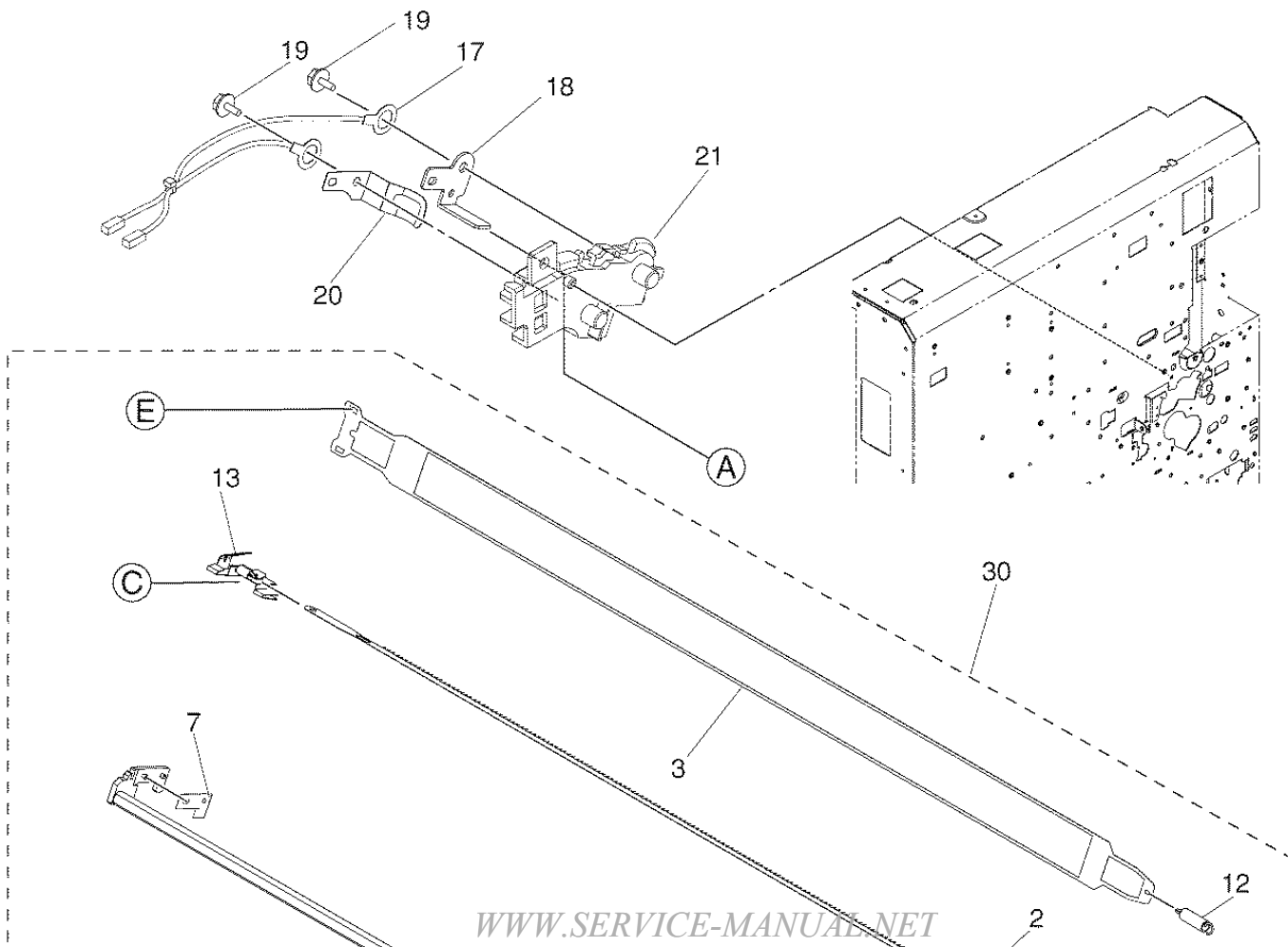


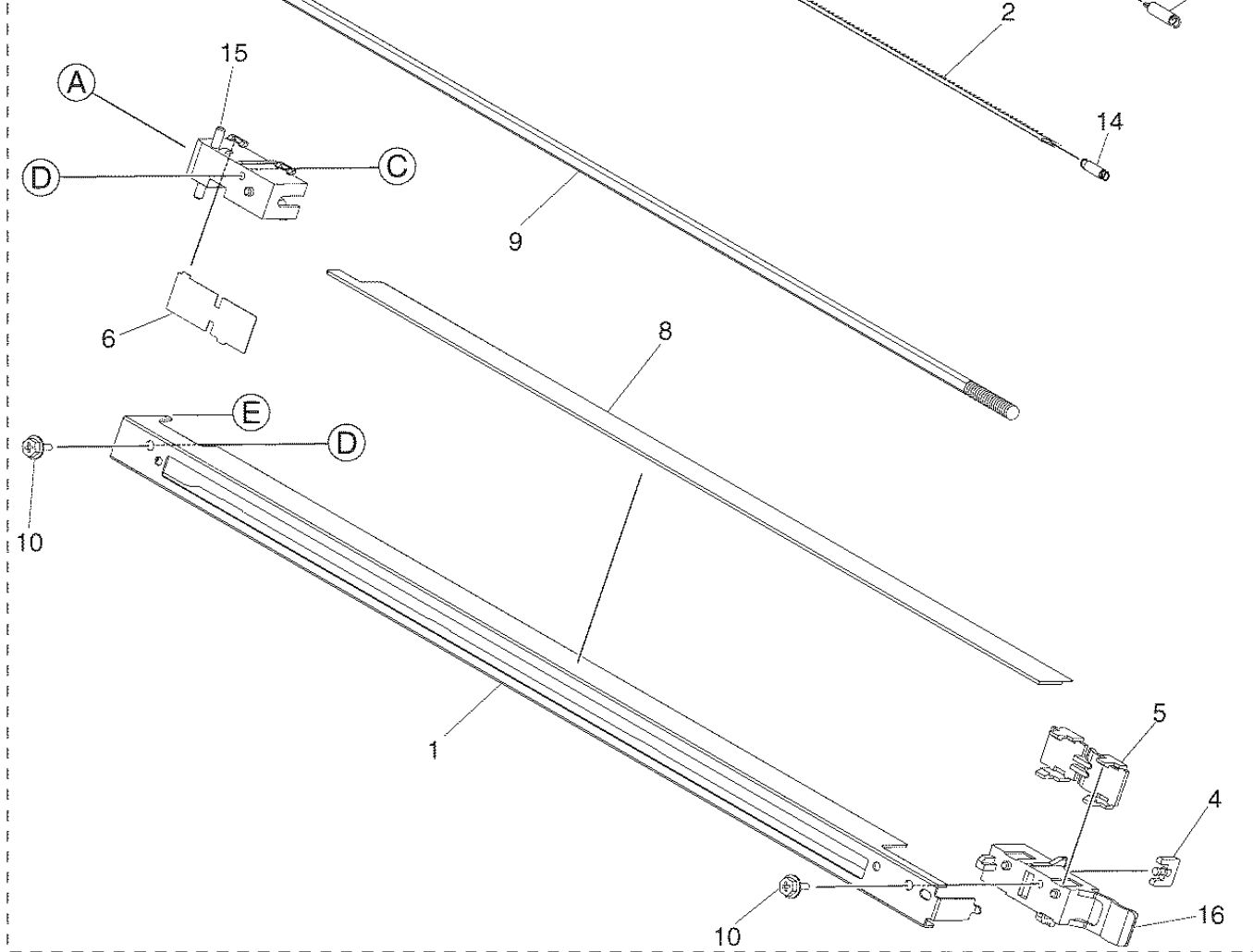
| Item No. | Parts No. | Parts Name | QTY/ Unit | QTY/ Pack | Part remarks | Catg. | Serial No. | P | I | R | BSI No. | Change | PC Board |
|----------|-------------|--------------------|-----------|-----------|--------------|-------|------------|---|---|---|---------|--------|----------|
| 4 | 6LE46319000 | ASYS-PLY-CRG2F-410 | 1 | 1/P | | | | | | | | | |
| 5 | X0-00077000 | S/PAN/SWWP-M3X8-NI | 1 | 10/P | | | | | | | | | |
| 6 | 6LE46320000 | ASYS-PLY-CRG2R-410 | 1 | 1/P | | | | | | | | | |
| 7 | 4408604590 | FOOT-CRG-3.64 | 4 | 5/P | | | | | | | | | |
| 8 | 44202692000 | GUIDE-WH-CRG2 | 1 | 1/P | | | | | | | | | |
| 9 | X0-02069000 | S/TPS/BID-3X6-ZU3 | 1 | 10/P | | | | | | | | | |
| 20 | 6LA85762100 | CARRIGE-2-364 | 1 | 1/S | | | | | | | | | |



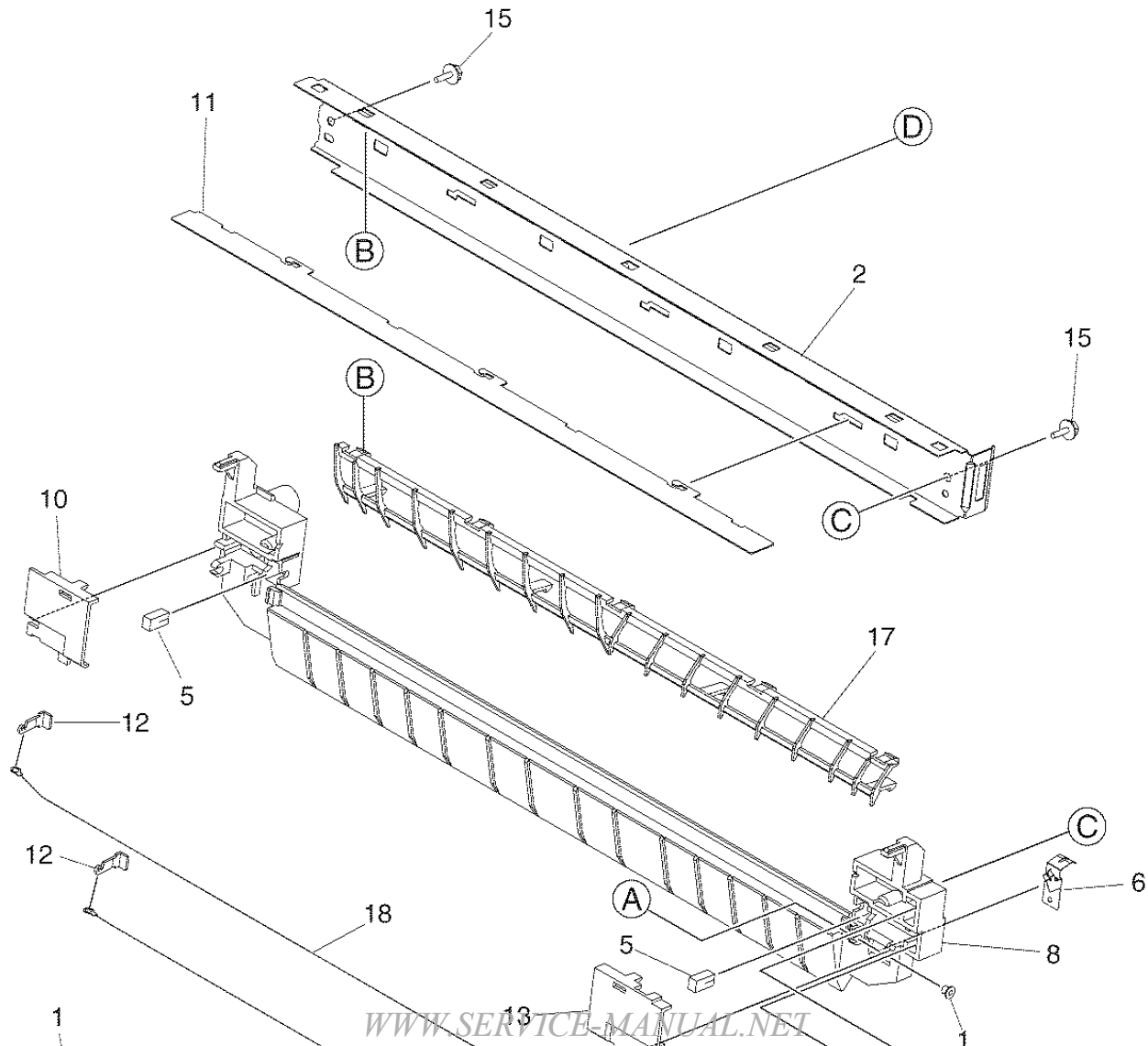


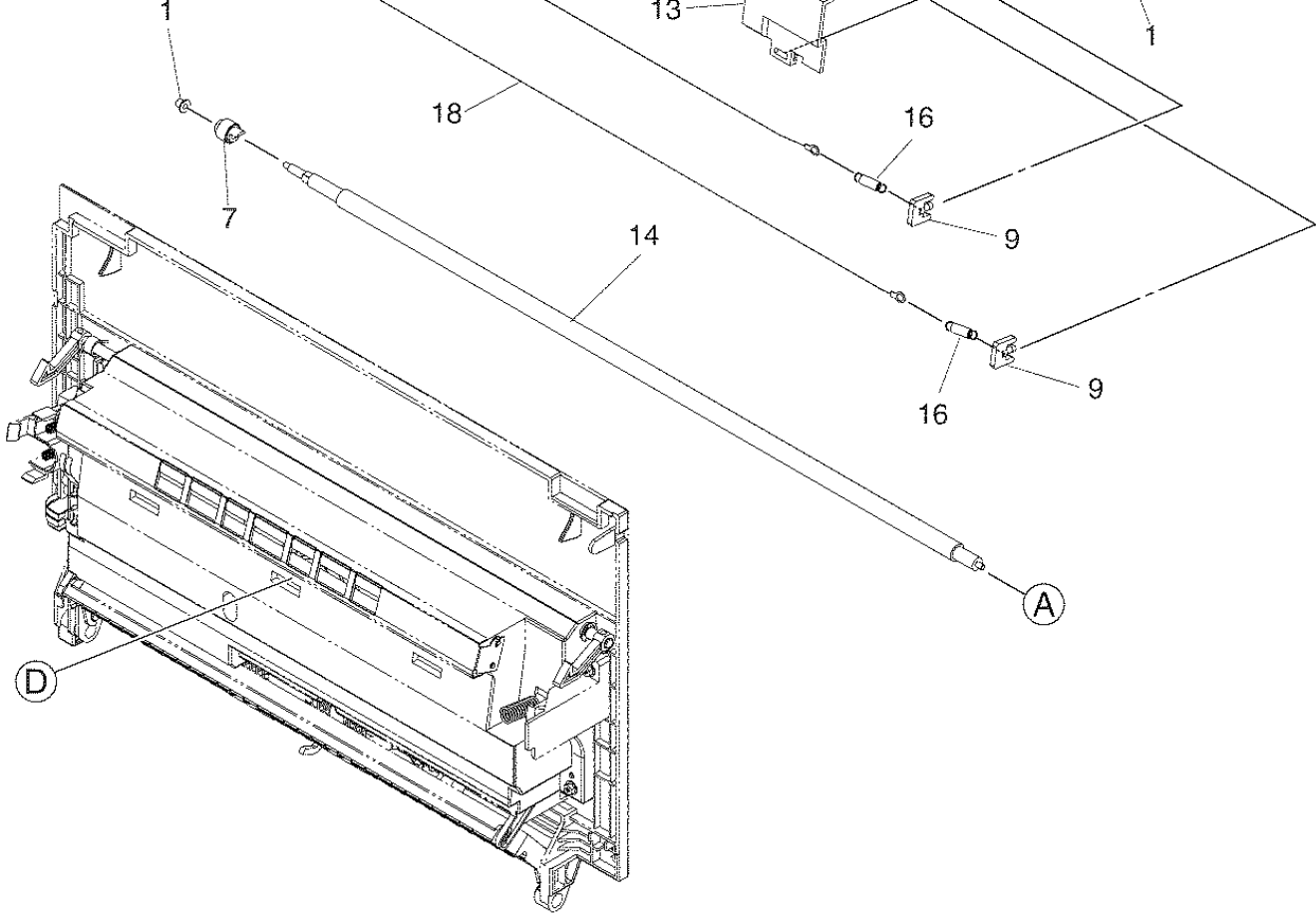
| Item No. | Parts No. | Parts Name | QTY/ Unit | QTY/ Pack | Part remarks | Catg. | Serial No. | P | I | R | BSI No. | Change | PC Board |
|----------|-------------|--------------------|-----------|-----------|--------------|-------|------------|---|---|---|---------|--------|----------|
| 1 | 6LA84920000 | CASE-CH-M | 1 | 1/C | | | | | | | | | |
| 2 | 6LA84925000 | CH-M | 1 | 1/KP | | MSP | | | | | | | |
| 3 | 6LA84930000 | GRID-CH-M-371 | 1 | 1/KP | | MSP | | | | | | | |
| 4 | 4401764730 | HANGER-WIRE-TR | 1 | 1/P | | | | | | | | | |
| 5 | 6LA84944000 | LID-CH-M-F | 1 | 1/P | | | | | | | | | |
| 6 | 6LA84947000 | LID-CH-M-R | 1 | 1/P | | | | | | | | | |
| 7 | 6LA84941000 | MYLAR-CLN-CH | 1 | 5/P | | | | | | | | | |
| 8 | 6LA84957000 | MYLAR-LED | 1 | 1/KP | | | | | | | | | |
| 9 | 6LA84938000 | ROD-CLN-CH-M | 1 | 1/D | | | | | | | | | |
| 10 | X0-02247000 | S/TPP/FHEXM-3X8-NI | 2 | 10/P | | | | | | | | | |
| 12 | 6LA84950000 | SPE-GR | 1 | 5/P | | | | | | | | | |
| 13 | 6LA84922000 | SPL-CH-M-R | 1 | 1/P | | | | | | | | | |
| 14 | 6LA84935000 | SPRING-TENS-CH | 1 | 5/P | | | | | | | | | |
| 15 | 6LA84915000 | TERM-CH-M-R | 1 | 1/P | | | | | | | | | |
| 16 | 6LA84910000 | TERM-CH-M-F | 1 | 1/P | | | | | | | | | |
| 17 | 6LA89435000 | HRNS-HVT-MG-371 | 1 | 1/P | | | | | | | | | |
| 18 | 6LA85009000 | SPL-CH-M | 1 | 1/P | | | | | | | | | |
| 19 | X0-02246000 | S/TPP/FHEXM-3X6-NI | 2 | 10/P | | | | | | | | | |
| 20 | 6LA85008000 | SPL-GRID | 1 | 1/P | | | | | | | | | |
| 21 | 6LA85005000 | TERM-HVT-M | 1 | 1/P | | | | | | | | | |
| 30 | 6LA84902000 | ASY-CH-MAIN | 1 | 1/C | | | | | | | | | |





| Item No. | Parts No. | Parts Name | QTY/ Unit | QTY/ Pack | Part remarks | Catg. | Serial No. | P | I | R | BSI No. | Change | PC Board |
|----------|-------------|--------------------|-----------|-----------|--------------|-------|------------|---|---|---|---------|--------|----------|
| 1 | 41306677000 | BUSH-RLR-GUIDE | 2 | 1/P | | MSP | | | | | | | |
| 2 | 6LA88230000 | CASE-CH-TR | 1 | 1/P | | | | | | | | | |
| 5 | 41306712000 | DAMPER | 2 | 5/P | | | | | | | | | |
| 6 | 6LA88304000 | EARTH-CH-TR | 1 | 1/P | | | | | | | | | |
| 7 | 41306272000 | GEAR-RLR-GUIDE | 1 | 1/P | | MSP | | | | | | | |
| 8 | 6LA88234000 | GUIDE-CH-TR | 1 | 1/PP | | | | | | | | | |
| 9 | 4401764730 | HANGER-WIRE-TR | 2 | 1/P | | | | | | | | | |
| 10 | 6LA88245000 | LID-CH-TR-R | 1 | 1/P | | | | | | | | | |
| 11 | 6LA88238000 | PLT-CH-TR | 1 | 1/KP | | | | | | | | | |
| 12 | 44203860000 | PLT-TERM-1 | 2 | 1/P | | | | | | | | | |
| 13 | 6LA88244000 | LID-CH-TR-F | 1 | 1/P | | | | | | | | | |
| 14 | 41306530000 | ROLLER-GUIDE | 1 | 1/P | | MSP | | | | | | | |
| 15 | X0-02247000 | S/TPP/FHEXM-3X8-NI | 2 | 10/P | | | | | | | | | |
| 16 | 6LA84935000 | SPRING-TENS-CH | 2 | 5/P | | | | | | | | | |
| 17 | 6LA88248000 | SUPPORTER-371 | 1 | 1/C | | | | | | | | | |
| 18 | 6LA88250000 | WIRE-CH-060-353-R | 2 | 1/S | | MSP | | | | | | | |

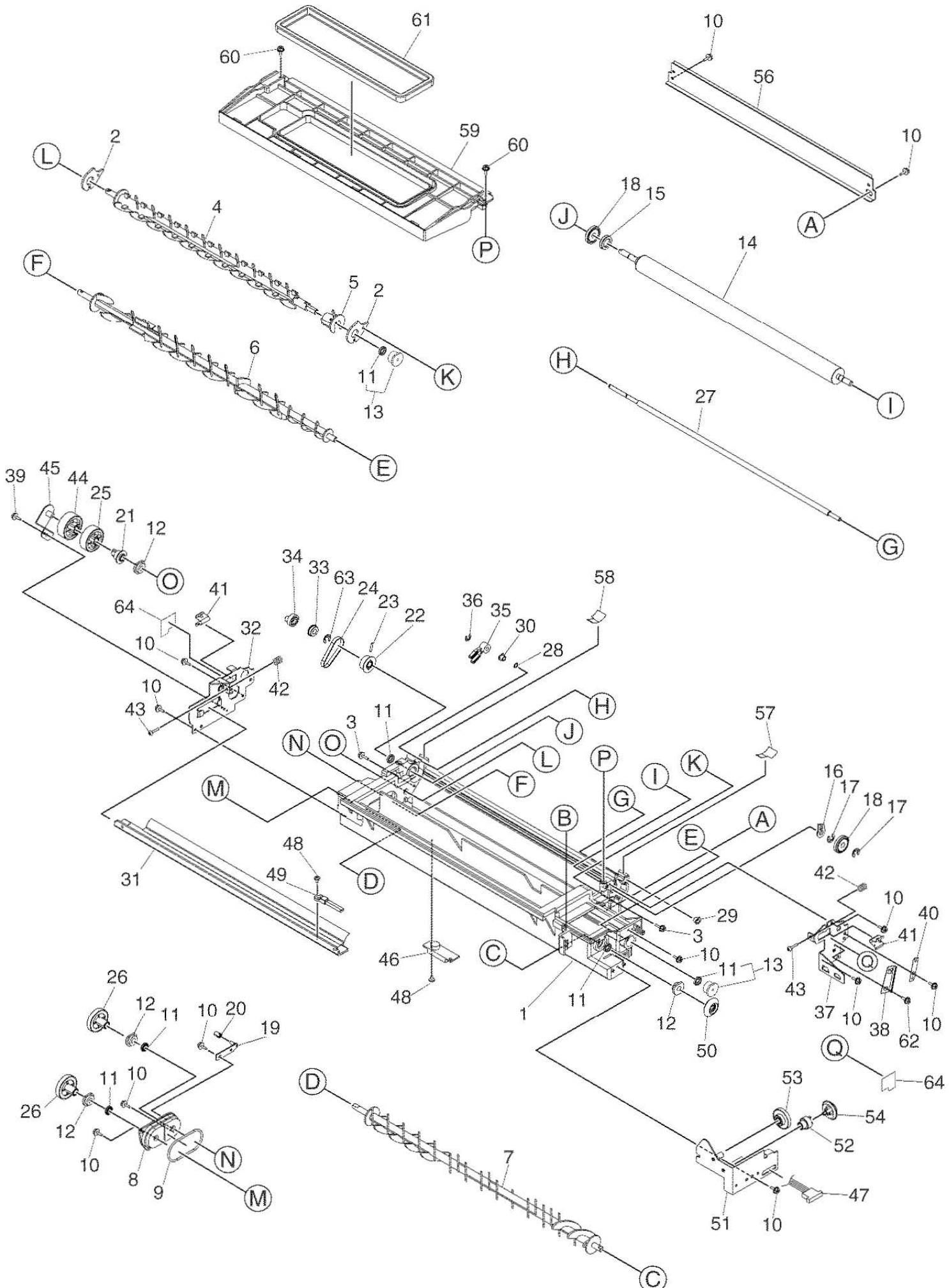




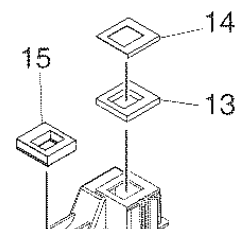
| Item No. | Parts No. | Parts Name | QTY/ Unit | QTY/ Pack | Part remarks | Catg. | Serial No. | P | I | R | BSI No. | Change | PC Board |
|----------|-------------|--------------------|--------------|--------------|------------------------------------|-------|------------|---|---|---|---------|------------------------|----------|
| 1 | 6LA79525000 | ASYS-FRAME-CLN-C | 1 | 1/C | | | | | | | | | |
| 2 | 6LA79540000 | ASYS-FRAME-CLN-F | 1 | 1/P | | | | | | | | | |
| 3 | 6LA79583000 | FRAME-CLN-R | 1 | 1/P | | | | | | | | | |
| 4 | 6LA79600000 | AUGER-CLN | 1 | 1/KP | | | | | | | | | |
| 5 | 6LA27845000 | BL-2320D | 1 | 1/S | | | | | | | | | |
| 6 | 6LE54020000 | BLADE-REC | 1 | 1/C | | | | | | | | | |
| 7 | 6LA02920000 | BUSH-0410-05F-M | 2 | 5/P | | | | | | | | | |
| 8 | 6LA79605000 | GEAR-10S18-4 | 1 | 1/P | | | | | | | | | |
| 9 | 6LA79606000 | GEAR-10S17-4 | 1 | 1/P | | | | | | | | | |
| 10 | 6LA79626000 | HLDR-LED | 1 | 1/P | | | | | | | | | |
| 10-1 | 6LH23220000 | HLDR-LED | 1 | 1/PP | | | | C | E | E | G07E860 | To: 10-1 From: 10 | |
| 11 | 6LA79615000 | HOLDER-SCRAPER | 2 | 1/P | | | | | | | | | |
| 13 | 6LA89106000 | PWA-F-DLE-371 | 1 | 1/C | | | | | | | | | |
| 14 | 6LA79547000 | SEAL-BLADE-SIDE | 2 | 1/P | | | | | | | | | |
| 15 | X0-02247000 | S/TPP/FHEXM-3X8-NI | 2 | 10/P | | | | | | | | | |
| 16 | X0-02230000 | S/FHEXM-M3X6-NI | 2 | 10/P | | | | | | | | | |
| 17 | 6LA79618000 | SCRAPER-371 | 2 | 3/P | | | | | | | | | |
| 18 | 6LA79546000 | SEAL-CLN-F | 1 | 1/P | | | | | | | | | |
| 19 | 6LA79586000 | SEAL-CLN-R | 1 | 5/P | | | | | | | | | |
| 20 | 6LA79628000 | MYLAR-HLDR-LED | 1 | 1/KP | | | | | | | | | |
| 21 | 6LA79531000 | SEAL-CLN-C | 1 | 1/KP | | | | | | | | | |
| 22 | 6LA79609000 | SHUTTER-CLN | 1 | 1/P | | | | | | | | | |
| 23 | 6LA79602000 | SPC-AUGER | 1 | 5/P | | | | | | | | | |
| 24 | 6LA79612000 | SPC-NZL-CLN | 1 | 1/P | | | | | | | | | |
| 25 | 6LA79554000 | STUD-GEAR-CLN | 1 | 1/P | | | | | | | | | |
| 26 | 41306325000 | WHEEL-CLN-8 | 2 | 1/P | | | | | | | | | |
| 27 | 6LA65682000 | SCREW-CLNR-DEV | 2 | 10/P | | | | | | | | | |
| 28A | 6LA79653000 | COV-PU-F-J | 1 | 1/PP | NAD | | | | | | | | |
| 28A-1 | 6LH23221000 | COV-PU-F-J | 1 | 1/PP | NAD | | | C | E | F | G07B610 | To: 28A-1 From: 28A | |
| 28B | 6LA79653100 | COV-PU-F-U | 1 | 1/PP | MJD | | | | | | | | |
| 28B-1 | 6LH23221100 | COV-PU-F-U | 1 | 1/PP | MJD | | | C | E | F | G07B610 | To: 28B-1 From: 28B | |
| 28C | 6LA79653200 | COV-PU-F-E | 1 | 1/PP | AUD ASD ASU SAD TWD KRD CND ARD | | | | | | | | |
| 28C-1 | 6LH23221200 | COV-PU-F-E | 1 | 1/PP | AUD ASD ASU SAD TWD KRD CND ARD | | | C | E | F | G07B610 | To: 28C-1 From: 28C | |
| 29 | 6LA79534000 | SEAL-SIDE-REC | 2 | 1/P | | | | | | | | | |
| 30 | 6LA81603000 | SPL-EARTH-F37XTWD | 1 | 1/P | | | | | | | | | |
| 31 | 41306135000 | BUSH-1821*03-M | 1 | 1/P | | | | | | | | | |
| 32 | 6LA79622000 | PIN-DRUM-371 | 1 | 1/P | | | | | | | | | |
| 33 | 6LA91423000 | LBL-HNDL-CLNR | 1 | 5/P | | | | | | | | | |
| 34 | 41305536000 | SPD-SCRPR-DRUM | 2 | 1/C | | | | | | | | | |
| 35 | 6LE88066000 | HRNS-DLE2-377 | 1 | 1/P | | | | | | | | | |
| 101 | X0-00937000 | W/PL/PJ0-4-NI | 2 | 10/P | | | | | | | | | |
| 102 | X0-00965000 | RR/E-4-SS | 2 | 10/P | | | | | | | | | |
| 103 | 6LA80090000 | S/TPP/BID-3*8-NI | 6 | 5/P | | | | | | | | | |
| 104 | X0-00974000 | RR/E-2.5-SS | 3 | 10/P | | | | | | | | | |

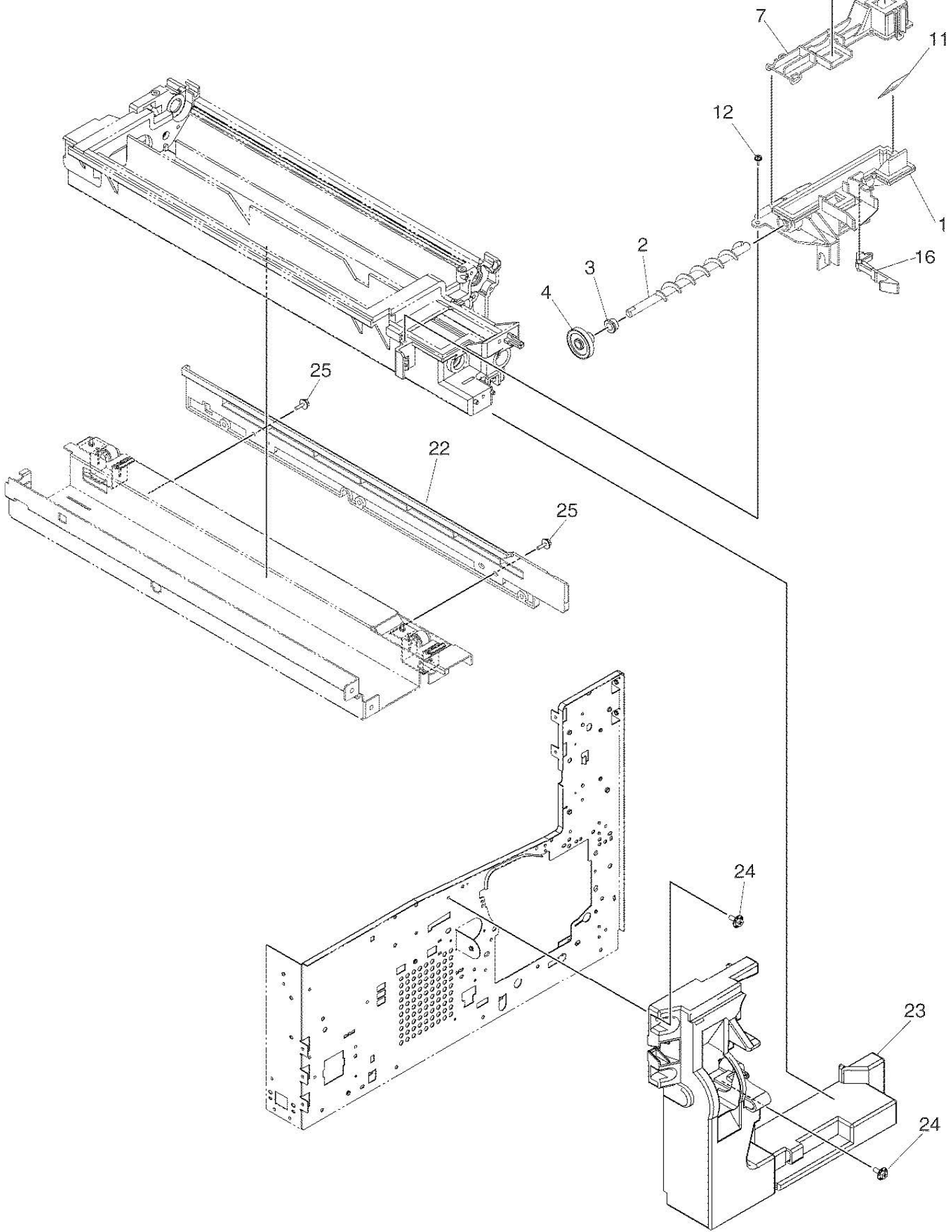
| Item No. | Parts No. | Parts Name | QTY/ Unit | QTY/ Pack | Part remarks | Catg. | Serial No. | P | I | R | BSI No. | Change | PC Board |
|----------|-------------|---------------------|--------------|--------------|--------------|-------|------------|---|---|---|---------|----------------------|----------|
| 1 | 6LA81612000 | ASYS-CASING-DEV | 1 | 1/C | | | | | | | | | |
| 2 | 6LA81632000 | PLATE-SIDE | 2 | 1/P | | | | | | | | | |
| 3 | X0-02232000 | S/FHEXM-M3X10-NI | 2 | 10/P | | | | | | | | | |
| 4 | 6LA81635000 | MIXER-1-371 | 1 | 1/C | | | | | | | | | |
| 5 | 6LA81636000 | SPACER-MIX | 1 | 1/P | | | | | | | | | |
| 6 | 6LA81639000 | ASYS-MIXER-2 | 1 | 1/KP | | | | | | | | | |
| 6-1 | 6LH23230000 | ASYS-MIXER-2-284 | 1 | 1/KP | | | | C | E | E | G07E860 | To: 6-1 From: 6 | |
| 7 | 6LA81643000 | MIXER-3-371 | 1 | 1/C | | | | | | | | | |
| 8 | 6LA81654000 | BUSH-DEV-R | 1 | 1/P | | | | | | | | | |
| 9 | 6LA81630000 | SEAL-BUSH-R | 1 | 1/P | | | | | | | | | |
| 10 | X0-02247000 | S/TPP/FHEXM-3X8-NI | 13 | 10/P | | | | | | | | | |
| 11 | 4401949290 | SEAL-VC6-10-2.5 | 6 | 1/P | | | | | | | | | |
| 12 | 6LA65696000 | BUSH-6X12X4R8F | 4 | 5/P | | | | | | | | | |
| 13 | 6LA81645000 | ASYS-BUSH-0613-07 | 2 | 1/P | | | | | | | | | |
| 14 | 6LA81650000 | ROLLER-MG-371 | 1 | 1/C | | | | | | | | | |
| 15-1 | 6LE70326000 | V-RING-MG-210 | 1 | 1/P | | | | | | | | | |
| 16 | 6LA81652000 | BUSH-DEV | 1 | 5/P | | | | | | | | | |
| 17 | X0-00965000 | RR/E-4-SS | 2 | 10/P | | | | | | | | | |
| 18 | 6LA81662000 | ROLL-GUIDE-371 | 2 | 1/P | | | | | | | | | |
| 19 | 6LA81678000 | ASYS-BKT-DEV-TENS | 1 | 1/P | | | | | | | | | |
| 20 | 4401950980 | COLLAR-DEV-TENS | 1 | 5/P | | | | | | | | | |
| 21 | 6LA81670000 | PULLY-2GT16-6 | 1 | 1/P | | | | | | | | | |
| 22 | 6LA81666000 | PULLY-2GT27-6 | 1 | 1/P | | | | | | | | | |
| 23 | X0-00980000 | P/PRL/AH7-2X10-SS | 1 | 10/P | | | | | | | | | |
| 24 | 6LA81674000 | BLT/T-2GT-92 | 1 | 1/P | | | | | | | | | |
| 25 | 6LA81677000 | GEAR-10S27-CUP | 1 | 1/P | | | | | | | | | |
| 26 | 4402439380 | GR-10H27-5-06 | 2 | 1/P | | | | | | | | | |
| 27 | 6LA81750000 | ROLLER-RE | 1 | 1/P | | | | | | | | | |
| 28 | 6LA81755000 | WAS-RE-ROL | 1 | 10/P | | | | | | | | | |
| 29 | 6LA81753000 | BUSH-RE-ROL-F | 1 | 1/P | | | | | | | | | |
| 30 | 6LA81752000 | BUSH-RE-ROL-R | 1 | 1/P | | | | | | | | | |
| 31 | 6LA81656000 | ASYS-DOCTOR-371 | 1 | 1/KP | | | | | | | | | |
| 32 | 6LA81691000 | BRKT-DEV-R-371 | 1 | 1/P | | | | | | | | | |
| 33 | F0-00781000 | LF-1260ZZ | 1 | 1/P | | | | | | | | | |
| 34 | 6LA81769000 | CAM-RE-ROL | 1 | 1/P | | | | | | | | | |
| 35 | 6LA81773000 | ONEWAY-DRV-RE | 1 | 1/P | | | | | | | | | |
| 36 | X0-00974000 | RR/E-2.5-SS | 1 | 10/P | | | | | | | | | |
| 37 | 6LA81711000 | BRKT-DEV-F-371 | 1 | 1/P | | | | | | | | | |
| 38 | 6LA81718000 | ADJUSTER-MG | 1 | 1/P | | | | | | | | | |
| 39 | X0-02239000 | S/TPS/FHEXM-3X8-ZU3 | 1 | 10/P | | | | | | | | | |
| 40 | 6LA81758000 | SPL-BIAS-RE-ROL | 1 | 1/P | | | | | | | | | |
| 41 | 4401949700 | SPL025-S631-DC2 | 2 | 1/P | | | | | | | | | |
| 42 | 4400672520 | SPC060-065-0130 | 2 | 1/P | | | | | | | | | |
| 43 | 6LA81610000 | SCREW-DOCTOR-371 | 2 | 10/P | | | | | | | | | |
| 44 | 6LA81724000 | GEAR-10S28-6 | 1 | 1/P | | | | | | | | | |
| 45 | 6LA81729000 | ASYS-BRKT-DRV | 1 | 1/P | | | | | | | | | |
| 46 | 6LE69634000 | SNSR-ATC-141 | 1 | 1/D | | | | | | | | | |
| 47 | 6LE88064000 | HRNS-ATS-377 | 1 | 1/P | | | | | | | | | |
| 48 | X0-01725000 | S/BID-M3X5-BSNI | 2 | 10/P | | | | | | | | | |
| 49 | 6LA89113000 | THMS-DRM-371 | 1 | 1/C | | | | | | | | | |
| 49-1 | 6LE78194000 | THMS-DRM-364 | 1 | 1/P | | | | C | E | F | G06G077 | To: 49-1 From: 49 | |
| 50 | 6LA81685000 | GEAR-10B22-6 | 1 | 1/P | | | | | | | | | |
| 51 | 6LA81890000 | ASYS-BRKT-RECY | 1 | 1/P | | | | | | | | | |
| 51-1 | 6LE55970000 | ASYS-BRKT-RECY | 1 | 1/P | | | | C | D | J | G06L499 | To: 51-1 From: 51 | |
| 52 | 6LA81888000 | GEAR-8S15-6 | 1 | 1/P | | | | | | | | | |
| 53 | 6LA81887000 | GEAR-8S29-8S15-6 | 2 | 1/P | | | | | | | | | |
| 53-1 | 6LA81887000 | GEAR-8S29-8S15-6 | 1 | 1/P | | | | D | - | J | G06L499 | To: 53-1 To: 53-2 | |
| 53-2 | 6LE55980000 | GEAR-8S29_8S18-6 | 1 | 1/P | | | | C | D | J | G06L499 | From: 53-1 | |
| 54 | 6LA81881000 | GEAR-10B22-6-CUP | 1 | 1/P | | | | | | | | | |
| 56 | 6LA81740000 | ASYS-GUIDE-DEV | 1 | 1/KP | | | | | | | | | |
| 57 | 6LA81780000 | SHEET-MG-F | 1 | 5/P | | | | | | | | | |
| 58 | 6LA81781000 | SHEET-MG-R | 1 | 5/P | | | | | | | | | |
| 59 | 6LA81790000 | ASYS-COV-DEV | 1 | 1/PP | | | | | | | | | |
| 60 | X0-02231000 | S/FHEXM-M3X8-NI | 2 | 10/P | | | | | | | | | |
| 61 | 6LA81700000 | COVER-DEV-BTL-371 | 1 | 1/P | | | | | | | | | |
| 62 | X0-00077000 | S/PAN/SWWP-M3X8-NI | 1 | 10/P | | | | | | | | | |

| | | | | | | | | | | | | | | | | | | | |
|----|-------------|-----------------|---|------|--|--|--|--|--|--|--|--|--|--|--|--|--|--|--|
| 63 | X0-00966000 | RR/E-5-SS | 1 | 10/P | | | | | | | | | | | | | | | |
| 64 | 6LA81714000 | MYLAR-DOC-SLIDE | 2 | 5/P | | | | | | | | | | | | | | | |

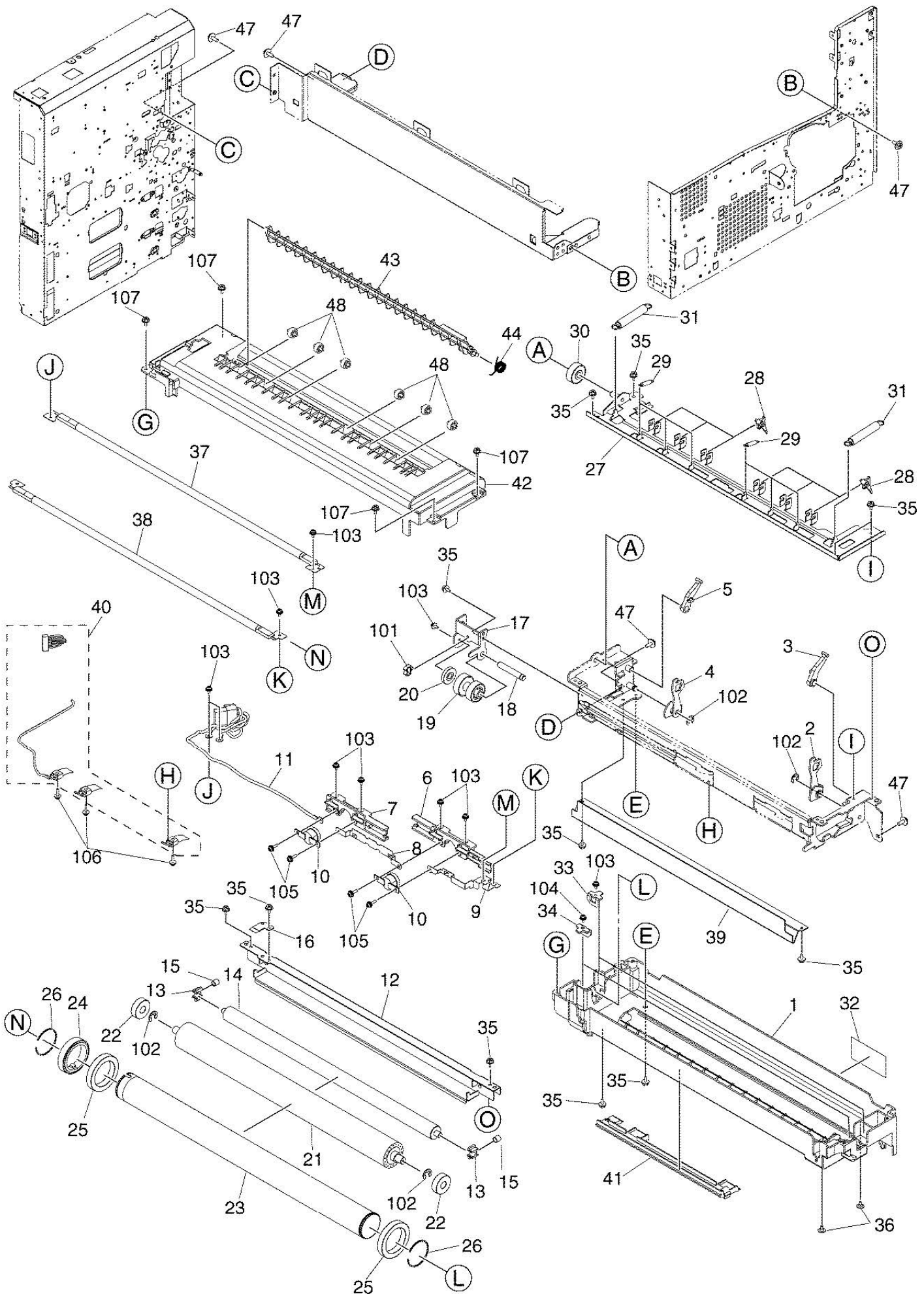


| Item No. | Parts No. | Parts Name | QTY/ Unit | QTY/ Pack | Part remarks | Catg. | Serial No. | P | I | R | BSI No. | Change | PC Board |
|----------|-------------|----------------------|--------------|--------------|--------------|-------|------------|---|---|---|---------|-----------|----------|
| 1 | 6LA81695000 | ASYS-COV-NOZLE | 1 | 1/PP | | | | | | | | To: 1-1 | |
| 1-1 | 6LE56021000 | ASYS-COV-NOZLE-280 | 1 | 1/P | | | | C | D | J | G06L499 | From: 1 | |
| 2 | 6LA81922000 | AUGER-RECY-F371 | 1 | 1/P | | | | | | | | To: 2-1 | |
| 2-1 | 6LE56030000 | AUGER-RECY-280 | 1 | 1/P | | | | C | D | J | G06L499 | From: 2 | |
| 3 | 6LA81925000 | BUSH-0611-06F-M | 2 | 5/P | | | | | | | | To: 3-1 | |
| 3-1 | 6LA81925000 | BUSH-0611-06F-M | 1 | 5/P | | | | D | - | J | G06L499 | From: 3 | |
| 4 | 6LA81936000 | GEAR-8S22-6 | 1 | 1/P | | | | | | | | To: 5-1 | |
| 5 | 6LA81935000 | GEAR-8S29-6 | 1 | 1/P | | | | | | | | From: 5 | |
| 5-1 | 6LA81935000 | GEAR-8S29-6 | 0 | 1/P | | | | B | - | J | G06L499 | To: 6-1 | |
| 6 | X0-00965000 | RR/E-4-SS | 2 | 10/P | | | | | | | | From: 6 | |
| 6-1 | X0-00965000 | RR/E-4-SS | 0 | 10/P | | | | B | - | J | G06L499 | To: 7-1 | |
| 7 | 6LA81932000 | COVER-RECYCLE | 1 | 1/P | | | | | | | | From: 7 | |
| 7-1 | 6LE56035000 | COVER-RECY-280 | 1 | 1/PP | | | | C | D | J | G06L499 | To: 8-1 | |
| 8 | 6LA81942000 | PADDLE-RECY | 1 | 1/P | | | | | | | | From: 8 | |
| 8-1 | 6LA81942000 | PADDLE-RECY | 0 | 1/P | | | | B | - | J | G06L499 | To: 9-1 | |
| 9 | 6LA81928000 | BUSH-PADDLE | 2 | 5/P | | | | | | | | From: 9 | |
| 9-1 | 6LA81928000 | BUSH-PADDLE | 0 | 5/P | | | | B | - | J | G06L499 | To: 10-1 | |
| 10 | 6LA81937000 | GEAR-8S25-4 | 1 | 1/P | | | | | | | | From: 10 | |
| 10-1 | 6LA81937000 | GEAR-8S25-4 | 0 | 1/P | | | | B | - | J | G06L499 | | |
| 12 | X0-02247000 | S/TPP/FHEXM-3X8-NI | 1 | 10/P | | | | | | | | | |
| 13 | 6LA81953000 | SEAL-RECY-CLN | 1 | 1/P | | | | | | | | | |
| 14 | 6LA81952000 | MYLAR-RECY-CLN | 1 | 1/P | | | | | | | | | |
| 15 | 6LA81955000 | ASYS-TNR-IN | 1 | 1/PP | | | | | | | | | |
| 16 | 6LA81707000 | STOPPER-LID-371 | 1 | 1/P | | | | | | | | | |
| 22 | 6LA85881000 | ASYS-STAY-DEV-R-RGST | 1 | 1/KP | | | | | | | | | |
| 23 | 6LA82050000 | COV-INNER-F371 | 1 | 1/P | | | | | | | | | |
| 24 | X0-02243000 | S/TPS/FHEXM-4X8-ZU3 | 2 | 10/P | | | | | | | | | |
| 25 | X0-02239000 | S/TPS/FHEXM-3X8-ZU3 | 2 | 10/P | | | | | | | | | |
| 101 | X0-00974000 | RR/E-2.5-SS | 2 | 10/P | | | | | | | | To: 101-1 | |
| 101-1 | X0-00974000 | RR/E-2.5-SS | 0 | 10/P | | | | B | - | J | G06L499 | From: 101 | |





| Item No. | Parts No. | Parts Name | QTY/ Unit | QTY/ Pack | Part remarks | Catg. | Serial No. | P | I | R | BSI No. | Change | PC Board |
|----------|-------------|------------------------|--------------|--------------|---|-------|------------|---|---|---|---------|-----------|----------|
| 1 | 6LA84153000 | COVER-FUSER-L-371 | 1 | 1/PP | | | | | | | | | |
| 2 | 6LA84072000 | ARM-PR-F | 1 | 1/P | | | | | | | | | |
| 3 | 6LA84163000 | LVR-P-REL-F | 1 | 1/P | | | | | | | | | |
| 4 | 6LA84073000 | ARM-PR-R | 1 | 1/P | | | | | | | | | |
| 5 | 6LA84164000 | LVR-P-REL-R | 1 | 1/P | | | | | | | | | |
| 6 | 6LA84177000 | ASYS-HOLDER-THMS-371 | 1 | 1/P | | | | | | | | To: 6-1 | |
| 6-1 | 6LA84009000 | ASYS-HOLDER-THMS-371 | 1 | 1/P | | | | C | E | J | G07E880 | From: 6 | |
| 7 | 6LA84179000 | ASYS-HOLDER-THMS-C-371 | 1 | 1/P | | | | | | | | To: 7-1 | |
| 7-1 | 6LA84008000 | ASYS-HOLDER-THMS-C-371 | 1 | 1/P | | | | C | E | J | G07E880 | From: 7 | |
| 8 | 6LA84083000 | PLT-THMS-CNT | 1 | 1/P | | | | | | | | | |
| 9 | 6LA84084000 | PLT-THMS-LMP | 1 | 1/P | | | | | | | | | |
| 10 | 6LA89107000 | THRMST-HTR-371 | 2 | 1/D | | | | | | | | | |
| 11 | 6LA89443000 | HRNS-LP-ACIN2-371 | 1 | 1/P | | | | | | | | | |
| 12 | 6LA84052000 | STAY-ROL-CLN | 1 | 1/P | | | | | | | | | |
| 13 | 6LA84131000 | BUSH-CLN-PRS-371 | 2 | 1/P | | | | | | | | | |
| 14 | 6LA27848000 | B-2320-L | 1 | 1/S | | CSP | | | | | | | |
| 15 | 6LA84134000 | SPC-CR-FUS | 2 | 5/P | | | | | | | | | |
| 16 | 4130653000 | BRUSH-FUSER-P | 1 | 1/KP | | | | | | | | | |
| 17 | 6LA84078000 | BRKT-G-ENT-FUS | 1 | 1/P | | | | | | | | | |
| 18 | 6LA84043000 | STUD-G-IN-FUSER | 1 | 1/P | | | | | | | | | |
| 19 | 6LA84140000 | GEAR-10H21-10S20-6-FUS | 1 | 1/P | | | | | | | | | |
| 20 | 6LA84142000 | ROL-IDLE-FUS-371 | 1 | 1/P | | | | | | | | To: 20-1 | |
| 20-1 | 6LH24610000 | ROL-IDLE-FUS-284 | 1 | 1/P | | | | C | E | E | G07E860 | From: 20 | |
| 21 | 6LA27847000 | HR-2320-L | 1 | 1/S | | CSP | | | | | | To: 21-1 | |
| 21-1 | 6LA84018000 | HR-2320-L | 1 | 1/S | | CSP | | C | E | D | G06A564 | From: 21 | |
| 22 | FO-01387000 | 608ZZS1M4BJ | 2 | 1/P | | | | | | | | | |
| 23A | 6LA27846000 | HR-2320-U | 1 | 1/S | NAD MJD AUD ASD ASU SAD TWD KRD ARD | CSP | | | | | | | |
| 23B | 6LE19859000 | HR-2320-U-CND | 1 | 1/S | CND | CSP | | | | | | | |
| 24 | 6LA84182000 | GEAR-HR-RLR | 1 | 1/P | | | | | | | | | |
| 25 | FO-01362000 | 6806ZZS1C4KZ | 2 | 1/P | | | | | | | | | |
| 26 | 41305515000 | CRR-HT/RLR | 2 | 5/P | | | | | | | | | |
| 27 | 6LA84063000 | ASYS-STAY-SCPR | 1 | 1/P | | | | | | | | | |
| 28 | 6LA84095000 | SCRAPER-HR-371 | 6 | 6/P | | MSP | | | | | | To: 28-1 | |
| 28-1 | 6LE85856000 | SCRAPER-HR-377 | 6 | 6/P | | MSP | | C | B | D | G06H143 | From: 28 | |
| 29 | 6LA84096000 | SPE-SCR-HR-371 | 6 | 1/P | | | | | | | | | |
| 30 | 41306061000 | GEAR-HR/EXIT | 1 | 1/P | | | | | | | | | |
| 31 | 6LA84111000 | SPE-PR-371 | 2 | 1/P | | | | | | | | | |
| 32A | 6LA91430000 | LBL-HOT | 1 | 1/KP | NAD MJD AUD ASD ASU SAD TWD CND ARD | | | | | | | | |
| 32B | 6LA84005000 | LBL-HOT-373K | 1 | 1/KP | KRD | | | | | | | | |
| 33 | 6LA84080000 | PLT-TERM-M3 | 2 | 1/P | | | | | | | | | |
| 34 | 6LA84081000 | PLT-TERM-M4 | 2 | 1/P | | | | | | | | | |
| 35 | XO-02238000 | S/TPS/FHEXM-3X6-ZU3 | 12 | 10/P | | | | | | | | | |
| 36 | 41306916000 | SCREW-SPEAKER | 2 | 10/P | | | | | | | | To: 36-1 | |
| 36-1 | 6LA47979000 | SCREW-SPEAKER-ZU3 | 2 | 5/P | | | | C | E | J | G07E887 | From: 36 | |
| 37A | 6LA84100100 | LAMP-HTR-C-371-NAD | 1 | 1/C | NAD SAD TWD | | | | | | | To: 37A-1 | |
| 37A-1 | 6LE58630100 | LAMP-HTR-C-371-NAD | 1 | 1/C | NAD SAD TWD | | | C | E | F | G06D779 | From: 37A | |
| 37B | 6LA84100200 | LAMP-HTR-C-371-MJD | 1 | 1/C | MJD AUD ASD ASU KRD CND ARD | | | | | | | To: 37B-1 | |
| 37B-1 | 6LE58630200 | LAMP-HTR-C-371-MJD | 1 | 1/C | MJD AUD ASD ASU KRD CND ARD | | | C | E | F | G06D779 | From: 37B | |
| 38A | 6LA84101100 | LAMP-HTR-S-371-NAD | 1 | 1/C | NAD SAD TWD | | | | | | | To: 38A-1 | |
| 38A-1 | 6LE58631100 | LAMP-HTR-S-371-NAD | 1 | 1/C | NAD SAD TWD | | | C | E | F | G06D779 | From: 38A | |
| 38B | 6LA84101200 | LAMP-HTR-S-371-MJD | 1 | 1/C | MJD AUD ASD ASU KRD CND ARD | | | | | | | To: 38B-1 | |
| 38B-1 | 6LE58631200 | LAMP-HTR-S-371-MJD | 1 | 1/C | MJD AUD ASD ASU KRD CND ARD | | | C | E | F | G06D779 | From: 38B | |

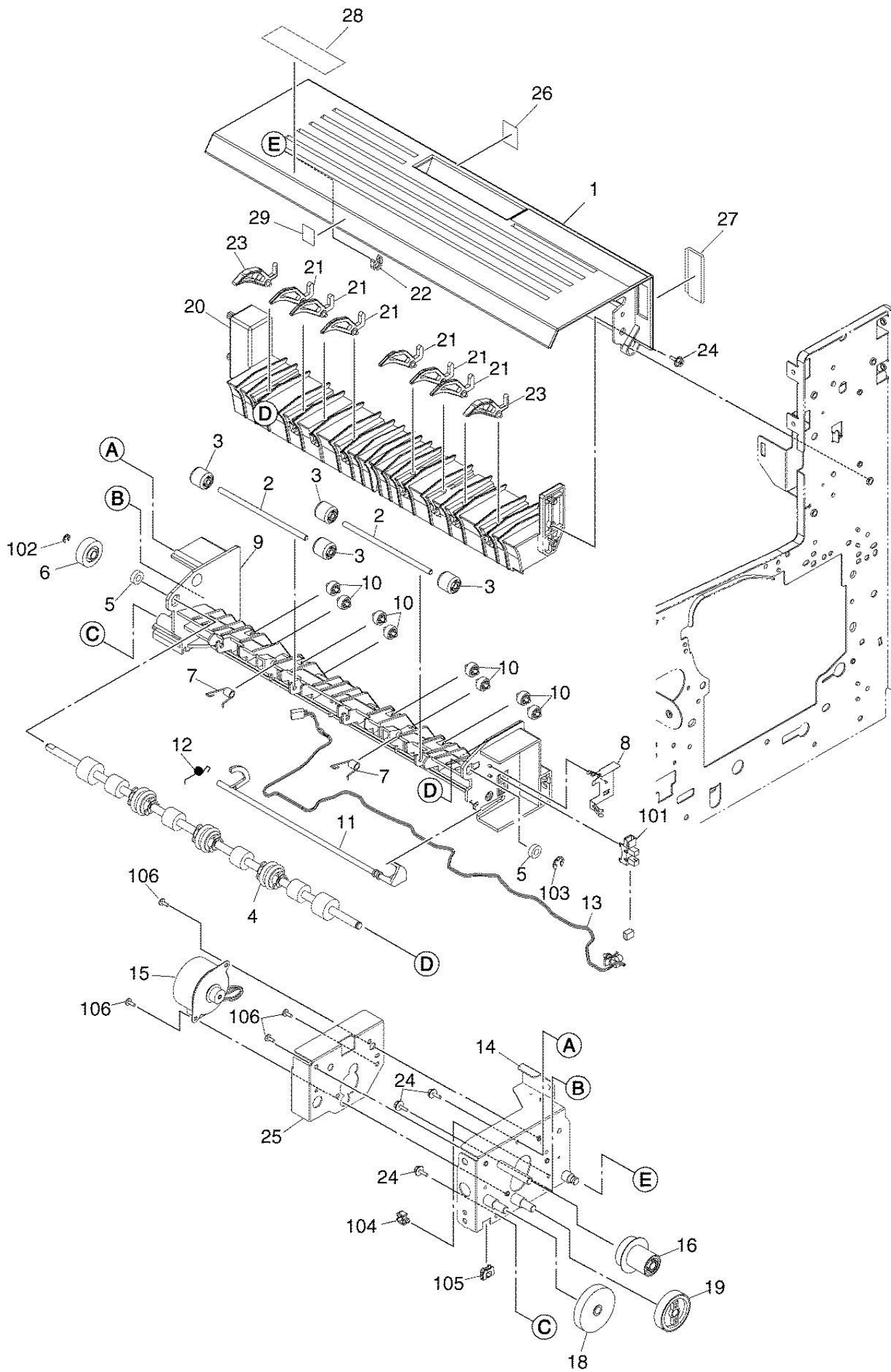


Model:

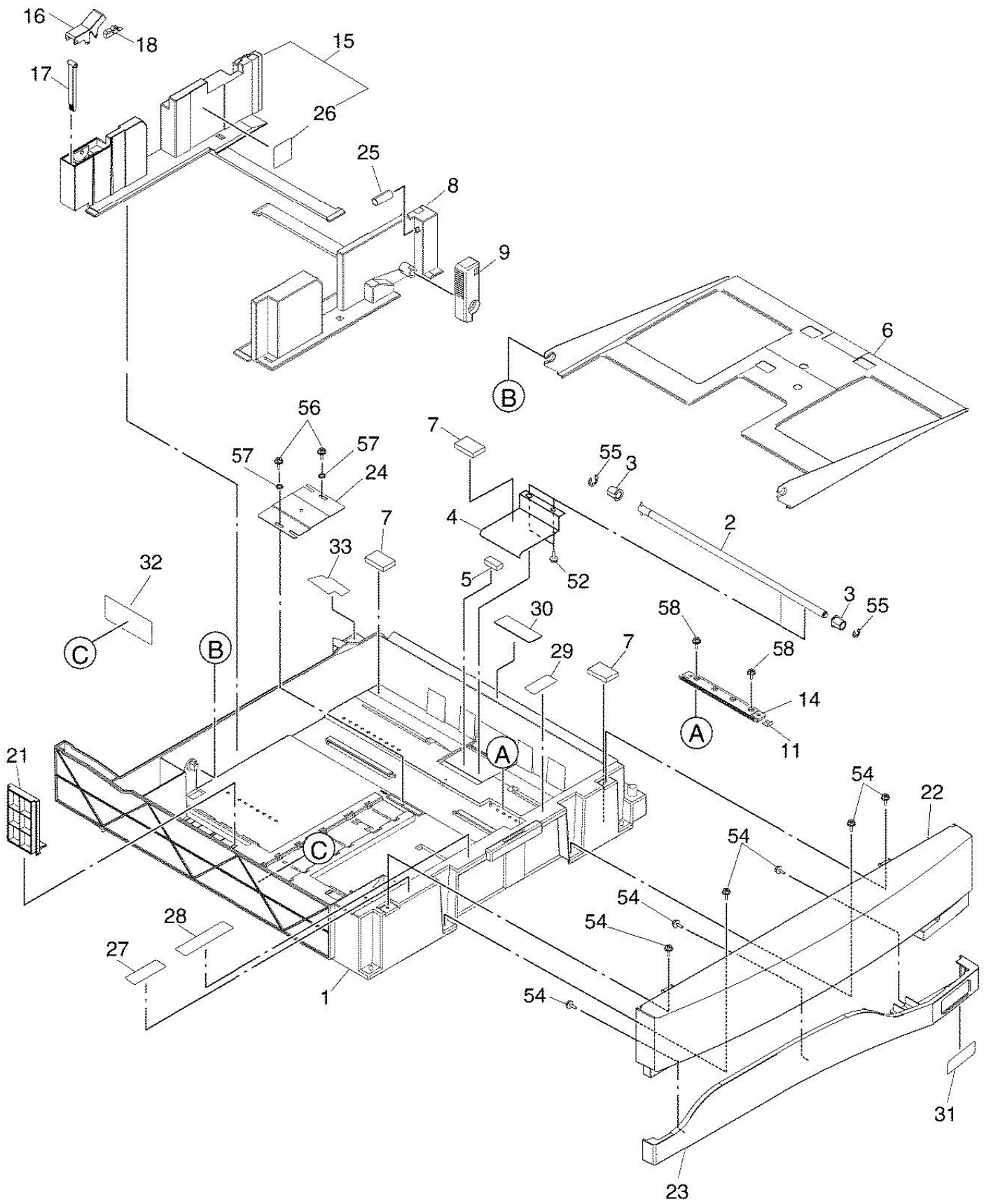
Page:

Issue
Date:

| Item No. | Parts No. | Parts Name | QTY/ Unit | QTY/ Pack | Part remarks | Catg. | Serial No. | P | I | R | BSI No. | Change | PC Board |
|----------|-------------|---------------------------|--------------|--------------|---|-------|------------|---|---|---|---------|--------|----------|
| 1 | 6LA82718000 | COVER-EXIT-371 | 1 | 1/PP | | | | | | | | | |
| 2 | 6LA82554000 | SFT-EXIT-IDLE | 2 | 1/P | | | | | | | | | |
| 3 | 44203198000 | ROLL-EXIT-L-320 | 4 | 1/P | | | | | | | | | |
| 4 | 6LA82582000 | ASYS-RLR-EXIT-371 | 1 | 1/KP | | | | | | | | | |
| 5 | FO-01371000 | DDL- 1260ZZHPOP25LY13 | 2 | 1/P | | | | | | | | | |
| 6 | 44202975000 | GEAR-EXIT-U | 1 | 1/P | | | | | | | | | |
| 7 | 6LA82563000 | SPG-T-EXIT-371 | 2 | 1/P | | | | | | | | | |
| 8 | 6LA82599000 | SPG-F-EARTH-EXIT-371 | 1 | 1/P | | | | | | | | | |
| 9 | 6LA82600000 | GUIDE-EXIT-L-371 | 1 | 1/PP | | | | | | | | | |
| 10 | 6LA82550000 | ROLL-GUIDE-EXIT | 8 | 1/P | | | | | | | | | |
| 11 | 6LA82558000 | ACT-EXIT-371 | 1 | 1/D | | | | | | | | | |
| 12 | 6LA82561000 | SPG-T-ACT-EXIT | 1 | 1/P | | | | | | | | | |
| 13 | 6LA89425000 | HRNS-EXIT-371 | 1 | 1/P | | | | | | | | | |
| 14 | 6LA82622000 | ASYS-BKT-EXIT-371 | 1 | 1/P | | | | | | | | | |
| 15 | 6LA82692000 | ASYS-MOTR-S-EXIT- 371 | 1 | 1/C | | | | | | | | | |
| 16 | 6LA82652000 | GEAR-10S16-PS2M40-6 | 1 | 1/P | | | | | | | | | |
| 17 | 6LA78447000 | BLT-SY-S2M-120-4 | 1 | 1/P | | | | | | | | | |
| 18 | 41306160000 | GEAR-DRV-EXIT-7 | 1 | 1/P | | | | | | | | | |
| 19 | 41306303000 | GEAR-EXIT-9 | 1 | 1/P | | | | | | | | | |
| 20 | 6LA82761000 | ASYS-GUIDE-EXIT-U- 371 | 1 | 1/PP | | | | | | | | | |
| 21 | 6LA82742000 | GATE-EXIT | 6 | 1/P | | | | | | | | | |
| 22 | 4407972860 | STOP-RING-6-5 | 1 | 5/P | | | | | | | | | |
| 23 | 6LA82502000 | GATE-EXIT-B | 2 | 1/P | | | | | | | | | |
| 24 | XO-02247000 | S/TPP/FHEXM-3X8-NI | 4 | 10/P | | | | | | | | | |
| 25 | 6LA82503000 | HS-MOTR-EXIT | 1 | 1/P | | | | | | | | | |
| 26 | 6LA91349000 | LBL-JAM-2 | 1 | 5/KP | | | | | | | | | |
| 27 | 6LA91476000 | LBL-MASK-ADU-373 | 1 | 5/P | | | | | | | | | |
| 28A | 6LA75470000 | LBL-HOT-COV | 1 | 1/KP | NAD MJD AUD ASD ASU SAD TWD CND ARD | | | | | | | | |
| 28B | 6LA80732000 | LBL-HOT-COV-373K | 1 | 1/KP | KRD | | | | | | | | |
| 29A | 6LA82504000 | LBL- W-HOT-EXIT371 | 1 | 5/KP | NAD MJD AUD ASD ASU SAD TWD CND ARD | | | | | | | | |
| 29B | 41307995000 | LBL/W-FUSER | 1 | 5/KP | KRD | | | | | | | | |
| 101 | CO-11250000 | LG248NL1 | 1 | 1/P | | | | | | | | | |
| 102 | XO-00964000 | RR/E-3-SS | 1 | 10/P | | | | | | | | | |
| 103 | XO-00965000 | RR/E-4-SS | 1 | 10/P | | | | | | | | | |
| 104 | FO-00044000 | UAMS-05-2 | 1 | 5/P | | | | | | | | | |
| 105-1 | FO-00120000 | ES-0505 | 1 | 5/P | | | | | | | | | |
| 106 | XO-00676000 | S/TPS/BID-3X6-NI | 4 | 10/P | | | | | | | | | |



| Item No. | Parts No. | Parts Name | QTY/ Unit | QTY/ Pack | Part remarks | Catg. | Serial No. | P | I | R | BSI No. | Change | PC Board |
|----------|-------------|---------------------|--------------|--------------|---|-------|------------|---|---|---|---------|--------|----------|
| 1 | 6LA56960000 | CASE-CST | 1 | 1/PP | | | | | | | | | |
| 2 | 41304004000 | K-SFT-LIFT-TRAY | 1 | 1/P | | | | | | | | | |
| 3 | 41306028000 | BUSH-SFT-LIFT | 2 | 5/P | | | | | | | | | |
| 4 | 6LA60307000 | LEVER-LIFT-TRAY | 1 | 1/P | | | | | | | | | |
| 5 | 41306614000 | CUSH-LVR-LIFT | 1 | 5/P | | | | | | | | | |
| 6 | 6LA56688000 | ASY-TRAY-CST-AT/DM | 1 | 1/PP | | | | | | | | | |
| 7 | 41306517000 | CUSH-TRAY-CST | 3 | 1/P | | | | | | | | | |
| 8 | 6LA56692200 | WALL-SIDE-F-AT/DM | 1 | 1/PP | | | | | | | | | |
| 9 | 6LA56693200 | LVR-ADJUST-WALL | 1 | 1/P | | | | | | | | | |
| 11 | 6LA56707000 | SPACER-RACK-CST | 1 | 1/P | | | | | | | | | |
| 14 | 6LA56706200 | PLATE-RACK-CST | 1 | 1/P | | | | | | | | | |
| 15 | 6LA56703200 | K-WALL-SIDE-R | 1 | 1/PP | | | | | | | | | |
| 16 | 6LA29058000 | LEVER-LOCK-WALL-RER | 1 | 1/P | | | | | | | | | |
| 17 | 41306260000 | LOCK-WALL-R | 1 | 1/P | | | | | | | | | |
| 18 | 41305546000 | SPL-LOCK-WALL-R | 1 | 1/P | | | | | | | | | |
| 21 | 6LA29061000 | WALL-CSSTT-END | 1 | 1/P | | | | | | | | | |
| 22 | 6LE40923000 | COVER-CSSTT | 1 | 1/PP | | | | | | | | | |
| 23 | 6LE40920000 | COVER-CSSTT-HNDL | 1 | 1/PP | | | | | | | | | |
| 24 | 6LA56961000 | ASYS-PL-PINION-TRY | 1 | 1/P | | | | | | | | | |
| 25 | 6LA56695000 | SPC-LVR-WALL-F | 1 | 1/P | | | | | | | | | |
| 26 | 41307701000 | LBL/O-P-MAX | 1 | 5/KP | | | | | | | | | |
| 27 | 6LE40703000 | LBL_O-PAPER-2 | 1 | 1/KP | | | | | | | | | |
| 28 | 6LE40701000 | LBL_O-GUIDE-2 | 1 | 1/KP | | | | | | | | | |
| 29 | 6LE40702000 | LBL_O-GUIDE-LCD | 1 | 1/KP | | | | | | | | | |
| 30 | 41307599000 | SHEET-CST | 1 | 1/KP | | | | | | | | | |
| 31A | 6LA29549000 | SHEET-SIZE-LT | 1 | 1/KP | NAD | | | | | | | | |
| 31B | 6LA29550000 | SHEET-SIZE-A4 | 1 | 1/KP | MJD AUD ASD ASU SAD TWD KRD CND ARD | | | | | | | | |
| 32 | 6LE40700000 | LBL_O-LD-2 | 1 | 1/KP | | | | | | | | | |
| 33 | 6LA60306000 | MYLAR-CST-BK | 1 | 1/KP | | | | | | | | | |
| 51 | X0-00963000 | RR/E-2-SS | 1 | 10/P | | | | | | | | | |
| 52 | X0-00434000 | S/BID-M3X8-NI | 2 | 10/P | | | | | | | | | |
| 54 | X0-02247000 | S/TPP/FHEXM-3X8-NI | 7 | 10/P | | | | | | | | | |
| 55 | X0-00968000 | RR/E-7-SS | 2 | 10/P | | | | | | | | | |
| 56 | X0-01989000 | S/TPP/BID-3X8-NI | 2 | 10/P | | | | | | | | | |
| 57 | X0-02116000 | W/TH/A-3-SS | 2 | 10/P | | | | | | | | | |
| 58 | X0-01414000 | S/TPP/BID-3X6-NC | 2 | 10/P | | | | | | | | | |



| Item No. | Parts No. | Parts Name | QTY/ Unit | QTY/ Pack | Part remarks | Catg. | Serial No. | P | I | R | BSI No. | Change | PC Board |
|----------|-------------|-----------------------|-----------|-----------|-------------------|-------|------------|---|---|---|---------|------------|----------|
| 0A | 6LE88451000 | ASY-PWA-LGC-377S | 1 | 1/SB | e-STUDIO202L | | | | | | | To: 0A-1 | |
| 0A-1 | 6LE88451000 | ASY-PWA-LGC-377S | 1 | 1/SB | e-STUDIO202L/203L | | | - | - | - | G07J184 | From: 0A | |
| 0B | 6LE88451100 | ASY-PWA-LGC-378S | 1 | 1/SB | e-STUDIO232 | | | | | | | To: 0B-1 | |
| 0B-1 | 6LE88451100 | ASY-PWA-LGC-378S | 1 | 1/SB | e-STUDIO232/233 | | | - | - | - | G07J184 | From: 0B | |
| 0C | 6LE88451200 | ASY-PWA-LGC-379S | 1 | 1/SB | e-STUDIO282 | | | | | | | To: 0C-1 | |
| 0C-1 | 6LE88451200 | ASY-PWA-LGC-379S | 1 | 1/SB | e-STUDIO282/283 | | | - | - | - | G07J184 | From: 0C | |
| 11 | C0-00921000 | TA8428K(S) | 1 | 5/S | | | | | | | | | IC1 |
| 12 | C0-06860001 | LM2902MX/NOPB | 1 | 5/S | | | | | | | | | IC2 |
| 14 | C0-08141001 | TD62308AFG(EL) | 1 | 5/S | | | | | | | | | IC4 |
| 15 | C0-08141001 | TD62308AFG(EL) | 1 | 5/S | | | | | | | | | IC5 |
| 16 | C0-08141001 | TD62308AFG(EL) | 1 | 5/S | | | | | | | | | IC6 |
| 18 | C0-08142001 | TD62385AFG(EL) | 1 | 5/S | | | | | | | | | IC8 |
| 19 | C0-11001001 | SN7407DR | 1 | 1/S | | | | | | | | | IC9 |
| 20 | C0-06993000 | EC-N065 | 1 | 5/S | | | | | | | | | IC10 |
| 21 | C0-09502001 | 74VHC244MTCX | 1 | 1/S | | | | | | | | | IC11 |
| 22 | C0-09470001 | 74LCX244MTCX | 1 | 1/S | | | | | | | | | IC12 |
| 23 | C0-09471001 | 74LCX245MTCX | 1 | 1/S | | | | | | | | | IC13 |
| 24 | C0-09470001 | 74LCX244MTCX | 1 | 1/S | | | | | | | | | IC14 |
| 25 | C0-09470001 | 74LCX244MTCX | 1 | 1/S | | | | | | | | | IC15 |
| 26 | C0-09528001 | 74VHCT541AMTCX | 1 | 1/S | | | | | | | | | IC16 |
| 27 | C0-00921000 | TA8428K(S) | 1 | 5/S | | | | | | | | | IC17 |
| 28 | C0-09502001 | 74VHC244MTCX | 1 | 1/S | | | | | | | | | IC18 |
| 29 | C0-09502001 | 74VHC244MTCX | 1 | 1/S | | | | | | | | | IC19 |
| 30 | C0-11001001 | SN7407DR | 1 | 1/S | | | | | | | | | IC20 |
| 31 | C0-09509001 | 74VHC32MTCX | 1 | 1/S | | | | | | | | | IC21 |
| 32 | C0-06762000 | EC-N062 TMP95C063FE | 1 | 1/S | | | | | | | | To: 32-1 | IC22 |
| 32-1 | C0-08160000 | TMP95C063FE | 1 | 1/S | | | | C | E | F | G07C730 | From: 32 | |
| 33 | C0-09502001 | 74VHC244MTCX | 1 | 1/S | | | | | | | | | IC23 |
| 34 | C0-07768000 | EC-N075 | 1 | 5/S | | | | | | | | | IC24 |
| 35 | C0-09509001 | 74VHC32MTCX | 1 | 1/S | | | | | | | | | IC25 |
| 36 | C0-08850001 | TA48M033F(TE16L SQ) | 1 | 5/P | | | | | | | | | IC26 |
| 37 | C0-09523001 | 74VHCT14AMTCX | 1 | 5/S | | | | | | | | | IC27 |
| 38 | C0-09486001 | 74VHC02MTCX | 1 | 1/S | | | | | | | | | IC28 |
| 39 | C0-09497001 | 74VHC14MTCX | 1 | 1/S | | | | | | | | | IC29 |
| 40 | C0-09502001 | 74VHC244MTCX | 1 | 1/S | | | | | | | | | IC30 |
| 41 | E0-07855000 | 1-390262-2 | 1 | 5/S | | | | | | | | | IC31 |
| 42 | C0-09487001 | 74VHC04MTCX | 1 | 1/S | | | | | | | | | IC32 |
| 43 | C0-09489001 | 74VHC08MTCX | 1 | 1/S | | | | | | | | | IC33 |
| 44 | C0-09485001 | 74VHC00MTCX | 1 | 1/S | | | | | | | | | IC34 |
| 45 | C0-09509001 | 74VHC32MTCX | 1 | 1/S | | | | | | | | | IC35 |
| 46 | C0-09487001 | 74VHC04MTCX | 1 | 1/S | | | | | | | | | IC36 |
| 47 | C0-09930001 | NC7SZ125P5X | 1 | 5/S | | | | | | | | | IC37 |
| 48 | C0-08141001 | TD62308AFG(EL) | 1 | 5/S | | | | | | | | | IC38 |
| 49 | C0-08141001 | TD62308AFG(EL) | 1 | 5/S | | | | | | | | | IC39 |
| 51 | C0-09168001 | TA75339FG(EL) | 1 | 5/S | | | | | | | | | IC41 |
| 52 | C0-09489001 | 74VHC08MTCX | 1 | 1/S | | | | | | | | | IC42 |
| 53 | C0-09168001 | TA75339FG(EL) | 1 | 5/S | | | | | | | | | IC43 |
| 54 | C0-09504001 | 74VHC245MTCX | 1 | 5/S | | | | | | | | | IC44 |
| 55 | C0-09502001 | 74VHC244MTCX | 1 | 1/S | | | | | | | | | IC45 |
| 56 | C0-07895000 | MBM29F400TC-70PFTN-E1 | 1 | 5/S | | | | | | | | | IC46 |
| 57 | C0-10926001 | CY7C109B-15ZXCT | 1 | 5/S | | | | | | | | To: 57-1 | IC47 |
| 57-1 | C0-13695001 | M5M51008DVP-55H ST | 1 | 5/S | | | | C | E | J | G06F915 | To: 57-2 | IC47 |
| 57-2 | C0-14461001 | CY7C109BN-15ZXCT | 1 | 5/S | | | | C | E | F | G07G048 | From: 57-1 | |
| 58 | C0-08142001 | TD62385AFG(EL) | 1 | 5/S | | | | | | | | | IC48 |
| 59 | C0-08141001 | TD62308AFG(EL) | 1 | 5/S | | | | | | | | | IC49 |
| 60 | C0-10347000 | STK672-210-E | 1 | 1/S | | | | | | | | | IC50 |
| 61 | C0-06860001 | LM2902MX/NOPB | 1 | 5/S | | | | | | | | | IC51 |
| 62 | C0-07829001 | MB88347PF-ER-E1 | 1 | 5/S | | | | | | | | | IC52 |
| 63 | C0-11001001 | SN7407DR | 1 | 1/S | | | | | | | | | IC53 |
| 64 | C0-11001001 | SN7407DR | 1 | 1/S | | | | | | | | | IC54 |
| 111 | C0-11046001 | MAX6001EUR+T | 1 | 1/S | | | | | | | | | IC101 |
| 151 | C0-08136000 | 2SA1428-Y(F) | 1 | 5/P | | | | | | | | | Q1 |

| | | | | | | | | | | |
|-------|-------------|--------------------|---|------|---|---|---|---------|------------------------|------|
| 733 | DO-04099001 | GRM188F11C104ZA01D | 1 | 10/P | | | | | | C133 |
| 734 | DO-05722001 | GRM219F11H104ZA01D | 1 | 10/P | | | | | | C134 |
| 735 | DO-04099001 | GRM188F11C104ZA01D | 1 | 10/P | | | | | | C135 |
| 736 | DO-05722001 | GRM219F11H104ZA01D | 1 | 10/P | | | | | | C136 |
| 737 | DO-04099001 | GRM188F11C104ZA01D | 1 | 10/P | | | | | | C137 |
| 738 | DO-04099001 | GRM188F11C104ZA01D | 1 | 10/P | | | | | | C138 |
| 739 | DO-04099001 | GRM188F11C104ZA01D | 1 | 10/P | | | | | | C139 |
| 740 | DO-04099001 | GRM188F11C104ZA01D | 1 | 10/P | | | | | | C140 |
| 741 | DO-07512001 | GRM188B11E223KA01D | 1 | 10/P | | | | | | C141 |
| 742 | DO-04099001 | GRM188F11C104ZA01D | 1 | 10/P | | | | | | C142 |
| 743 | DO-04099001 | GRM188F11C104ZA01D | 1 | 10/P | | | | | | C143 |
| 744 | DO-04099001 | GRM188F11C104ZA01D | 1 | 10/P | | | | | | C144 |
| 744-1 | DO-18999001 | GRM188F11H104ZA01D | 1 | 1/S | C | B | E | G07E889 | To: 744-1 From: 744 | C145 |
| 745 | DO-05722001 | GRM219F11H104ZA01D | 1 | 10/P | | | | | | C146 |
| 746 | DO-05722001 | GRM219F11H104ZA01D | 1 | 10/P | | | | | | C147 |
| 747 | DO-04099001 | GRM188F11C104ZA01D | 1 | 10/P | | | | | | C148 |
| 748 | DO-04099001 | GRM188F11C104ZA01D | 1 | 10/P | | | | | | C149 |
| 749 | DO-04099001 | GRM188F11C104ZA01D | 1 | 10/P | | | | | | C150 |
| 750 | DO-05722001 | GRM219F11H104ZA01D | 1 | 10/P | | | | | | C151 |
| 751 | DO-04099001 | GRM188F11C104ZA01D | 1 | 10/P | | | | | | C152 |
| 752 | DO-07518001 | GRM188B11H471KA01D | 1 | 10/P | | | | | | C153 |
| 753 | DO-04102001 | GRM1882C1H101JA01D | 1 | 10/P | | | | | | C154 |
| 755 | DO-04099001 | GRM188F11C104ZA01D | 1 | 10/P | | | | | | C155 |
| 756 | DO-23891001 | MCR03EZPJ101 | 1 | 5/P | | | | | | C156 |
| 757 | DO-04092001 | GRM188B11H222KA01D | 1 | 10/P | | | | | | C157 |
| 758 | DO-04092001 | GRM188B11H222KA01D | 1 | 10/P | | | | | | C158 |
| 759 | DO-04099001 | GRM188F11C104ZA01D | 1 | 10/P | | | | | | C159 |
| 760 | DO-04099001 | GRM188F11C104ZA01D | 1 | 10/P | | | | | | C160 |
| 761 | DO-04099001 | GRM188F11C104ZA01D | 1 | 10/P | | | | | | C161 |
| 762 | DO-04099001 | GRM188F11C104ZA01D | 1 | 10/P | | | | | | C162 |
| 763 | DO-04099001 | GRM188F11C104ZA01D | 1 | 10/P | | | | | | C163 |
| 764 | DO-04099001 | GRM188F11C104ZA01D | 1 | 10/P | | | | | | C164 |
| 765 | DO-04099001 | GRM188F11C104ZA01D | 1 | 10/P | | | | | | C165 |
| 766 | DO-04099001 | GRM188F11C104ZA01D | 1 | 10/P | | | | | | C166 |
| 767 | DO-04099001 | GRM188F11C104ZA01D | 1 | 10/P | | | | | | C167 |
| 768 | DO-04099001 | GRM188F11C104ZA01D | 1 | 10/P | | | | | | C168 |
| 769 | DO-04099001 | GRM188F11C104ZA01D | 1 | 10/P | | | | | | C169 |
| 770 | DO-04099001 | GRM188F11C104ZA01D | 1 | 10/P | | | | | | C170 |
| 771 | DO-04099001 | GRM188F11C104ZA01D | 1 | 10/P | | | | | | C171 |
| 771-1 | DO-18999001 | GRM188F11H104ZA01D | 1 | 1/S | C | B | E | G07E889 | To: 771-1 From: 771 | C172 |
| 772 | DO-04099001 | GRM188F11C104ZA01D | 1 | 10/P | | | | | | C173 |
| 773 | DO-04099001 | GRM188F11C104ZA01D | 1 | 10/P | | | | | | C174 |
| 774 | DO-04099001 | GRM188F11C104ZA01D | 1 | 10/P | | | | | | C175 |
| 775 | DO-07518001 | GRM188B11H471KA01D | 1 | 10/P | | | | | | C176 |
| 776 | DO-04092001 | GRM188B11H222KA01D | 1 | 10/P | | | | | | C177 |
| 777 | DO-04099001 | GRM188F11C104ZA01D | 1 | 10/P | | | | | | C178 |
| 778 | DO-04092001 | GRM188B11H222KA01D | 1 | 10/P | | | | | | C179 |
| 779 | DO-04099001 | GRM188F11C104ZA01D | 1 | 10/P | | | | | | C180 |
| 780 | DO-04099001 | GRM188F11C104ZA01D | 1 | 10/P | | | | | | C181 |
| 781 | DO-05722001 | GRM219F11H104ZA01D | 1 | 10/P | | | | | | C182 |
| 782 | DO-04099001 | GRM188F11C104ZA01D | 1 | 10/P | | | | | | C183 |
| 783 | DO-07518001 | GRM188B11H471KA01D | 1 | 10/P | | | | | | C184 |
| 784 | DO-04099001 | GRM188F11C104ZA01D | 1 | 10/P | | | | | | C185 |
| 785 | DO-04099001 | GRM188F11C104ZA01D | 1 | 10/P | | | | | | C186 |
| 786 | DO-04085001 | GRM1882C1H100JZ01D | 1 | 5/P | | | | | | C187 |
| 787 | DO-04085001 | GRM1882C1H100JZ01D | 1 | 5/P | | | | | | C188 |
| 788 | DO-04099001 | GRM188F11C104ZA01D | 1 | 10/P | | | | | | C189 |
| 789 | DO-04099001 | GRM188F11C104ZA01D | 1 | 10/P | | | | | | C190 |
| 790 | DO-04099001 | GRM188F11C104ZA01D | 1 | 10/P | | | | | | C191 |
| 791 | DO-04099001 | GRM188F11C104ZA01D | 1 | 10/P | | | | | | C192 |
| 792 | DO-04099001 | GRM188F11C104ZA01D | 1 | 10/P | | | | | | C193 |
| 793 | DO-04099001 | GRM188F11C104ZA01D | 1 | 10/P | | | | | | C194 |
| 794 | DO-04099001 | GRM188F11C104ZA01D | 1 | 10/P | | | | | | C195 |
| 795 | DO-04099001 | GRM188F11C104ZA01D | 1 | 10/P | | | | | | C196 |
| 796 | DO-04099001 | GRM188F11C104ZA01D | 1 | 10/P | | | | | | C197 |
| 797 | DO-04099001 | GRM188F11C104ZA01D | 1 | 10/P | | | | | | C198 |
| 798 | DO-04099001 | GRM188F11C104ZA01D | 1 | 10/P | | | | | | C199 |
| 799 | DO-04099001 | GRM188F11C104ZA01D | 1 | 10/P | | | | | | C200 |
| 800 | DO-04092001 | GRM188B11H222KA01D | 1 | 10/P | | | | | | C201 |
| 801 | DO-04085001 | GRM1882C1H100JZ01D | 1 | 5/P | | | | | | C202 |
| 802 | DO-04085001 | GRM1882C1H100JZ01D | 1 | 5/P | | | | | | C203 |
| 803 | DO-04099001 | GRM188F11C104ZA01D | 1 | 10/P | | | | | | C204 |
| 804 | DO-04099001 | GRM188F11C104ZA01D | 1 | 10/P | | | | | | C204 |

| | | | | | | | | | | |
|-------|-------------|--------------------|---|------|---|---|---|---------|------------------------|------|
| 805 | DO-04099001 | GRM188F11C104ZA01D | 1 | 10/P | | | | | | C205 |
| 806 | DO-04099001 | GRM188F11C104ZA01D | 1 | 10/P | | | | | | C206 |
| 807 | DO-04099001 | GRM188F11C104ZA01D | 1 | 10/P | | | | | | C207 |
| 808 | DO-04099001 | GRM188F11C104ZA01D | 1 | 10/P | | | | | | C208 |
| 809 | DO-04099001 | GRM188F11C104ZA01D | 1 | 10/P | | | | | | C209 |
| 810 | DO-04099001 | GRM188F11C104ZA01D | 1 | 10/P | | | | | | C210 |
| 811 | DO-04099001 | GRM188F11C104ZA01D | 1 | 10/P | | | | | | C211 |
| 812 | DO-04099001 | GRM188F11C104ZA01D | 1 | 10/P | | | | | | C212 |
| 813 | DO-04099001 | GRM188F11C104ZA01D | 1 | 10/P | | | | | | C213 |
| 814 | DO-04099001 | GRM188F11C104ZA01D | 1 | 10/P | | | | | | C214 |
| 815 | DO-04099001 | GRM188F11C104ZA01D | 1 | 10/P | | | | | | C215 |
| 816 | DO-04099001 | GRM188F11C104ZA01D | 1 | 10/P | | | | | | C216 |
| 817 | DO-04092001 | GRM188B11H222KA01D | 1 | 10/P | | | | | | C217 |
| 818 | DO-04099001 | GRM188F11C104ZA01D | 1 | 10/P | | | | | | C218 |
| 819 | DO-04099001 | GRM188F11C104ZA01D | 1 | 10/P | | | | | | C219 |
| 820 | DO-04099001 | GRM188F11C104ZA01D | 1 | 10/P | | | | | | C220 |
| 821 | DO-04099001 | GRM188F11C104ZA01D | 1 | 10/P | | | | | | C221 |
| 822 | DO-05722001 | GRM219F11H104ZA01D | 1 | 10/P | | | | | | C222 |
| 823 | DO-04099001 | GRM188F11C104ZA01D | 1 | 10/P | | | | | | C223 |
| 824 | DO-04099001 | GRM188F11C104ZA01D | 1 | 10/P | | | | | | C224 |
| 825 | DO-04099001 | GRM188F11C104ZA01D | 1 | 10/P | | | | | | C225 |
| 826 | DO-04099001 | GRM188F11C104ZA01D | 1 | 10/P | | | | | | C226 |
| 827 | DO-04099001 | GRM188F11C104ZA01D | 1 | 10/P | | | | | | C227 |
| 827-1 | DO-18999001 | GRM188F11H104ZA01D | 1 | 1/S | C | B | E | G07E889 | To: 827-1 From: 827 | C228 |
| 828 | DO-04099001 | GRM188F11C104ZA01D | 1 | 10/P | | | | | | C229 |
| 829 | DO-04099001 | GRM188F11C104ZA01D | 1 | 10/P | | | | | | C230 |
| 830 | DO-04099001 | GRM188F11C104ZA01D | 1 | 10/P | | | | | | C231 |
| 831 | DO-04099001 | GRM188F11C104ZA01D | 1 | 10/P | | | | | | C232 |
| 832 | DO-04099001 | GRM188F11C104ZA01D | 1 | 10/P | | | | | | C233 |
| 833 | DO-04099001 | GRM188F11C104ZA01D | 1 | 10/P | | | | | | C234 |
| 834 | DO-04099001 | GRM188F11C104ZA01D | 1 | 10/P | | | | | | C235 |
| 835 | DO-04099001 | GRM188F11C104ZA01D | 1 | 10/P | | | | | | C236 |
| 836 | DO-04099001 | GRM188F11C104ZA01D | 1 | 10/P | | | | | | C237 |
| 837 | DO-04093001 | GRM1882C1H220JZ01D | 1 | 10/P | | | | | | C238 |
| 838 | DO-04099001 | GRM188F11C104ZA01D | 1 | 10/P | | | | | | C239 |
| 839 | DO-04099001 | GRM188F11C104ZA01D | 1 | 10/P | | | | | | C240 |
| 840 | DO-04099001 | GRM188F11C104ZA01D | 1 | 10/P | | | | | | C241 |
| 841 | DO-04099001 | GRM188F11C104ZA01D | 1 | 10/P | | | | | | C242 |
| 842 | DO-04099001 | GRM188F11C104ZA01D | 1 | 10/P | | | | | | C243 |
| 843 | DO-04099001 | GRM188F11C104ZA01D | 1 | 10/P | | | | | | C244 |
| 844 | DO-04099001 | GRM188F11C104ZA01D | 1 | 10/P | | | | | | C245 |
| 845 | DO-04099001 | GRM188F11C104ZA01D | 1 | 10/P | | | | | | C246 |
| 846 | DO-04099001 | GRM188F11C104ZA01D | 1 | 10/P | | | | | | C247 |
| 847 | DO-04093001 | GRM1882C1H220JZ01D | 1 | 10/P | | | | | | C248 |
| 848 | DO-04093001 | GRM1882C1H220JZ01D | 1 | 10/P | | | | | | C249 |
| 849 | DO-04099001 | GRM188F11C104ZA01D | 1 | 10/P | | | | | | C250 |
| 850 | DO-04099001 | GRM188F11C104ZA01D | 1 | 10/P | | | | | | C251 |
| 850-1 | DO-18999001 | GRM188F11H104ZA01D | 1 | 1/S | C | B | E | G07E889 | To: 850-1 From: 850 | C252 |
| 851 | DO-05722001 | GRM219F11H104ZA01D | 1 | 10/P | | | | | | C253 |
| 852 | DO-04093001 | GRM1882C1H220JZ01D | 1 | 10/P | | | | | | C254 |
| 853 | DO-04093001 | GRM1882C1H220JZ01D | 1 | 10/P | | | | | | C255 |
| 854 | DO-04093001 | GRM1882C1H220JZ01D | 1 | 10/P | | | | | | C256 |
| 855 | DO-05722001 | GRM219F11H104ZA01D | 1 | 10/P | | | | | | C257 |
| 856 | DO-05722001 | GRM219F11H104ZA01D | 1 | 10/P | | | | | | C258 |
| 857 | DO-05722001 | GRM219F11H104ZA01D | 1 | 10/P | | | | | | C259 |
| 858 | DO-05722001 | GRM219F11H104ZA01D | 1 | 10/P | | | | | | C260 |
| 859 | DO-04099001 | GRM188F11C104ZA01D | 1 | 10/P | | | | | | C261 |
| 860 | DO-04099001 | GRM188F11C104ZA01D | 1 | 10/P | | | | | | C262 |
| 861 | DO-04099001 | GRM188F11C104ZA01D | 1 | 10/P | | | | | | C263 |
| 862 | DO-04099001 | GRM188F11C104ZA01D | 1 | 10/P | | | | | | C264 |
| 863 | DO-04099001 | GRM188F11C104ZA01D | 1 | 10/P | | | | | | C265 |
| 864 | DO-04099001 | GRM188F11C104ZA01D | 1 | 10/P | | | | | | C266 |
| 865 | DO-04099001 | GRM188F11C104ZA01D | 1 | 10/P | | | | | | C267 |
| 866 | DO-04099001 | GRM188F11C104ZA01D | 1 | 10/P | | | | | | C268 |
| 867 | DO-04099001 | GRM188F11C104ZA01D | 1 | 10/P | | | | | | C269 |
| 868 | DO-04093001 | GRM1882C1H220JZ01D | 1 | 10/P | | | | | | C270 |
| 869 | DO-04093001 | GRM1882C1H220JZ01D | 1 | 10/P | | | | | | C271 |
| 870 | DO-04093001 | GRM1882C1H220JZ01D | 1 | 10/P | | | | | | C272 |
| 871 | DO-04093001 | GRM1882C1H220JZ01D | 1 | 10/P | | | | | | C273 |
| 872 | DO-04093001 | GRM1882C1H220JZ01D | 1 | 10/P | | | | | | C274 |
| 873 | DO-04099001 | GRM188F11C104ZA01D | 1 | 10/P | | | | | | C275 |
| 874 | DO-04093001 | GRM1882C1H220JZ01D | 1 | 10/P | | | | | | C276 |
| 875 | DO-04093001 | GRM1882C1H220JZ01D | 1 | 10/P | | | | | | C277 |
| 876 | DO-04093001 | GRM1882C1H220JZ01D | 1 | 10/P | | | | | | C278 |

| Item No. | Parts No. | Parts Name | QTY/ Unit | QTY/ Pack | Part remarks | Catg. | Serial No. | P | I | R | BSI No. | Change | PC Board |
|----------|-------------|----------------|--------------|--------------|--------------|-------|------------|---|---|---|---------|--------|----------|
| 1 | D0-21229000 | RSMF2BL101J | 1 | 5/P | | | | | | | | | R1 |
| 2 | D0-21229000 | RSMF2BL101J | 1 | 5/P | | | | | | | | | R2 |
| 3 | D0-21229000 | RSMF2BL101J | 1 | 5/P | | | | | | | | | R3 |
| 4 | D0-21229000 | RSMF2BL101J | 1 | 5/P | | | | | | | | | R4 |
| 5 | D0-21229000 | RSMF2BL101J | 1 | 5/P | | | | | | | | | R5 |
| 101 | D0-25576001 | MCR03EZPJ271 | 1 | 5/P | | | | | | | | | R101 |
| 102 | D0-25602001 | MCR03EZPJ682 | 1 | 5/P | | | | | | | | | R102 |
| 103 | D0-19517001 | MCR03EZPFX2202 | 1 | 5/P | | | | | | | | | R103 |
| 104 | D0-23897001 | MCR03EZPJ104 | 1 | 5/P | | | | | | | | | R104 |
| 105 | D0-19452001 | MCR03EZPFX1001 | 1 | 5/P | | | | | | | | | R105 |
| 106 | D0-19452001 | MCR03EZPFX1001 | 1 | 5/P | | | | | | | | | R106 |
| 107 | D0-19452001 | MCR03EZPFX1001 | 1 | 5/P | | | | | | | | | R107 |
| 108 | D0-19517001 | MCR03EZPFX2202 | 1 | 5/P | | | | | | | | | R108 |
| 109 | D0-19452001 | MCR03EZPFX1001 | 1 | 5/P | | | | | | | | | R109 |
| 110 | D0-19452001 | MCR03EZPFX1001 | 1 | 5/P | | | | | | | | | R110 |
| 111 | D0-19517001 | MCR03EZPFX2202 | 1 | 5/P | | | | | | | | | R111 |
| 112 | D0-19517001 | MCR03EZPFX2202 | 1 | 5/P | | | | | | | | | R112 |
| 113 | D0-19452001 | MCR03EZPFX1001 | 1 | 5/P | | | | | | | | | R113 |
| 114 | D0-23914001 | MCR03EZPJ220 | 1 | 5/P | | | | | | | | | R114 |
| 115 | D0-23891001 | MCR03EZPJ101 | 1 | 5/P | | | | | | | | | R115 |
| 116 | D0-23891001 | MCR03EZPJ101 | 1 | 5/P | | | | | | | | | R116 |
| 117 | D0-23891001 | MCR03EZPJ101 | 1 | 5/P | | | | | | | | | R117 |
| 118 | D0-23938001 | MCR03EZPJ681 | 1 | 5/P | | | | | | | | | R118 |
| 119 | D0-23938001 | MCR03EZPJ681 | 1 | 5/P | | | | | | | | | R119 |
| 120 | D0-23938001 | MCR03EZPJ681 | 1 | 5/P | | | | | | | | | R120 |
| 121 | D0-19597001 | MCR03EZPFX4701 | 1 | 5/P | | | | | | | | | R121 |
| 122 | D0-19638001 | MCR03EZPFX6800 | 1 | 5/P | | | | | | | | | R122 |
| 123 | D0-19503001 | MCR03EZPFX1803 | 1 | 5/P | | | | | | | | | R123 |
| 124 | D0-19597001 | MCR03EZPFX4701 | 1 | 5/P | | | | | | | | | R124 |
| 125 | D0-19453001 | MCR03EZPFX1002 | 1 | 5/P | | | | | | | | | R125 |
| 126 | D0-19516001 | MCR03EZPFX2201 | 1 | 5/P | | | | | | | | | R126 |
| 127 | D0-19453001 | MCR03EZPFX1002 | 1 | 5/P | | | | | | | | | R127 |
| 128 | D0-19452001 | MCR03EZPFX1001 | 1 | 5/P | | | | | | | | | R128 |
| 129 | D0-19516001 | MCR03EZPFX2201 | 1 | 5/P | | | | | | | | | R129 |
| 130 | D0-23914001 | MCR03EZPJ220 | 1 | 5/P | | | | | | | | | R130 |
| 131 | D0-23914001 | MCR03EZPJ220 | 1 | 5/P | | | | | | | | | R131 |
| 132 | D0-23914001 | MCR03EZPJ220 | 1 | 5/P | | | | | | | | | R132 |
| 133 | D0-23914001 | MCR03EZPJ220 | 1 | 5/P | | | | | | | | | R133 |
| 134 | D0-23914001 | MCR03EZPJ220 | 1 | 5/P | | | | | | | | | R134 |
| 135 | D0-23928001 | MCR03EZPJ472 | 1 | 5/P | | | | | | | | | R135 |
| 136 | D0-23928001 | MCR03EZPJ472 | 1 | 5/P | | | | | | | | | R136 |
| 137 | D0-23928001 | MCR03EZPJ472 | 1 | 5/P | | | | | | | | | R137 |
| 138 | D0-23928001 | MCR03EZPJ472 | 1 | 5/P | | | | | | | | | R138 |
| 139 | D0-23928001 | MCR03EZPJ472 | 1 | 5/P | | | | | | | | | R139 |
| 140 | D0-23928001 | MCR03EZPJ472 | 1 | 5/P | | | | | | | | | R140 |
| 141 | D0-23928001 | MCR03EZPJ472 | 1 | 5/P | | | | | | | | | R141 |
| 142 | D0-19452001 | MCR03EZPFX1001 | 1 | 5/P | | | | | | | | | R142 |
| 143 | D0-23891001 | MCR03EZPJ101 | 1 | 5/P | | | | | | | | | R143 |
| 144 | D0-23891001 | MCR03EZPJ101 | 1 | 5/P | | | | | | | | | R144 |
| 145 | D0-19638001 | MCR03EZPFX6800 | 1 | 5/P | | | | | | | | | R145 |
| 146 | D0-19597001 | MCR03EZPFX4701 | 1 | 5/P | | | | | | | | | R146 |
| 147 | D0-19452001 | MCR03EZPFX1001 | 1 | 5/P | | | | | | | | | R147 |
| 148 | D0-19503001 | MCR03EZPFX1803 | 1 | 5/P | | | | | | | | | R148 |
| 149 | D0-19597001 | MCR03EZPFX4701 | 1 | 5/P | | | | | | | | | R149 |
| 150 | D0-19638001 | MCR03EZPFX6800 | 1 | 5/P | | | | | | | | | R150 |
| 151 | D0-19452001 | MCR03EZPFX1001 | 1 | 5/P | | | | | | | | | R151 |
| 152 | D0-19597001 | MCR03EZPFX4701 | 1 | 5/P | | | | | | | | | R152 |
| 153 | D0-19503001 | MCR03EZPFX1803 | 1 | 5/P | | | | | | | | | R153 |
| 154 | D0-19597001 | MCR03EZPFX4701 | 1 | 5/P | | | | | | | | | R154 |
| 155 | D0-19452001 | MCR03EZPFX1001 | 1 | 5/P | | | | | | | | | R155 |
| 156 | D0-19516001 | MCR03EZPFX2201 | 1 | 5/P | | | | | | | | | R156 |
| 157 | D0-23891001 | MCR03EZPJ101 | 1 | 5/P | | | | | | | | | R157 |
| 158 | D0-23891001 | MCR03EZPJ101 | 1 | 5/P | | | | | | | | | R158 |
| 159 | D0-19503001 | MCR03EZPFX1803 | 1 | 5/P | | | | | | | | | R159 |
| 160 | D0-19597001 | MCR03EZPFX4701 | 1 | 5/P | | | | | | | | | R160 |
| 161 | D0-19453001 | MCR03EZPFX1002 | 1 | 5/P | | | | | | | | | R161 |

| | | | | | |
|-----|-------------|----------------|---|-----|------|
| 162 | DO-19452001 | MCR03EZPFX1001 | 1 | 5/P | R162 |
| 163 | DO-19503001 | MCR03EZPFX1803 | 1 | 5/P | R163 |
| 164 | DO-19597001 | MCR03EZPFX4701 | 1 | 5/P | R164 |
| 165 | DO-19503001 | MCR03EZPFX1803 | 1 | 5/P | R165 |
| 166 | DO-19597001 | MCR03EZPFX4701 | 1 | 5/P | R166 |
| 167 | DO-23914001 | MCR03EZPJ220 | 1 | 5/P | R167 |
| 168 | DO-23914001 | MCR03EZPJ220 | 1 | 5/P | R168 |
| 169 | DO-23914001 | MCR03EZPJ220 | 1 | 5/P | R169 |
| 170 | DO-23914001 | MCR03EZPJ220 | 1 | 5/P | R170 |
| 171 | DO-23914001 | MCR03EZPJ220 | 1 | 5/P | R171 |
| 172 | DO-23914001 | MCR03EZPJ220 | 1 | 5/P | R172 |
| 173 | DO-23914001 | MCR03EZPJ220 | 1 | 5/P | R173 |
| 174 | DO-23914001 | MCR03EZPJ220 | 1 | 5/P | R174 |
| 175 | DO-23914001 | MCR03EZPJ220 | 1 | 5/P | R175 |
| 176 | DO-23928001 | MCR03EZPJ472 | 1 | 5/P | R176 |
| 177 | DO-23928001 | MCR03EZPJ472 | 1 | 5/P | R177 |
| 178 | DO-23928001 | MCR03EZPJ472 | 1 | 5/P | R178 |
| 179 | DO-23928001 | MCR03EZPJ472 | 1 | 5/P | R179 |
| 180 | DO-23928001 | MCR03EZPJ472 | 1 | 5/P | R180 |
| 181 | DO-23928001 | MCR03EZPJ472 | 1 | 5/P | R181 |
| 182 | DO-23928001 | MCR03EZPJ472 | 1 | 5/P | R182 |
| 183 | DO-23928001 | MCR03EZPJ472 | 1 | 5/P | R183 |
| 184 | DO-23914001 | MCR03EZPJ220 | 1 | 5/P | R184 |
| 185 | DO-23914001 | MCR03EZPJ220 | 1 | 5/P | R185 |
| 186 | DO-23928001 | MCR03EZPJ472 | 1 | 5/P | R186 |
| 187 | DO-23891001 | MCR03EZPJ101 | 1 | 5/P | R187 |
| 188 | DO-23928001 | MCR03EZPJ472 | 1 | 5/P | R188 |
| 189 | DO-25608001 | MCR03EZPJ680 | 1 | 5/P | R189 |
| 190 | DO-23928001 | MCR03EZPJ472 | 1 | 5/P | R190 |
| 191 | DO-23923001 | MCR03EZPJ332 | 1 | 5/P | R191 |
| 192 | DO-23914001 | MCR03EZPJ220 | 1 | 5/P | R192 |
| 194 | DO-23895001 | MCR03EZPJ103 | 1 | 5/P | R194 |
| 195 | DO-23893001 | MCR03EZPJ102 | 1 | 5/P | R195 |
| 196 | DO-23895001 | MCR03EZPJ103 | 1 | 5/P | R196 |
| 197 | DO-23928001 | MCR03EZPJ472 | 1 | 5/P | R197 |
| 198 | DO-23891001 | MCR03EZPJ101 | 1 | 5/P | R198 |
| 199 | DO-23891001 | MCR03EZPJ101 | 1 | 5/P | R199 |
| 200 | DO-23891001 | MCR03EZPJ101 | 1 | 5/P | R200 |
| 201 | DO-23891001 | MCR03EZPJ101 | 1 | 5/P | R201 |
| 202 | DO-23887001 | MCR03EZPJ000 | 1 | 5/P | R202 |
| 204 | DO-23928001 | MCR03EZPJ472 | 1 | 5/P | R204 |
| 205 | DO-23928001 | MCR03EZPJ472 | 1 | 5/P | R205 |
| 206 | DO-23928001 | MCR03EZPJ472 | 1 | 5/P | R206 |
| 207 | DO-23928001 | MCR03EZPJ472 | 1 | 5/P | R207 |
| 208 | DO-23928001 | MCR03EZPJ472 | 1 | 5/P | R208 |
| 209 | DO-23928001 | MCR03EZPJ472 | 1 | 5/P | R209 |
| 210 | DO-23928001 | MCR03EZPJ472 | 1 | 5/P | R210 |
| 211 | DO-23928001 | MCR03EZPJ472 | 1 | 5/P | R211 |
| 212 | DO-23928001 | MCR03EZPJ472 | 1 | 5/P | R212 |
| 213 | DO-23928001 | MCR03EZPJ472 | 1 | 5/P | R213 |
| 214 | DO-23928001 | MCR03EZPJ472 | 1 | 5/P | R214 |
| 215 | DO-23928001 | MCR03EZPJ472 | 1 | 5/P | R215 |
| 216 | DO-23922001 | MCR03EZPJ331 | 1 | 5/P | R216 |
| 217 | DO-23922001 | MCR03EZPJ331 | 1 | 5/P | R217 |
| 218 | DO-23922001 | MCR03EZPJ331 | 1 | 5/P | R218 |
| 219 | DO-23895001 | MCR03EZPJ103 | 1 | 5/P | R219 |
| 220 | DO-23893001 | MCR03EZPJ102 | 1 | 5/P | R220 |
| 221 | DO-23928001 | MCR03EZPJ472 | 1 | 5/P | R221 |
| 222 | DO-23928001 | MCR03EZPJ472 | 1 | 5/P | R222 |
| 223 | DO-23928001 | MCR03EZPJ472 | 1 | 5/P | R223 |
| 224 | DO-23928001 | MCR03EZPJ472 | 1 | 5/P | R224 |
| 225 | DO-23928001 | MCR03EZPJ472 | 1 | 5/P | R225 |
| 226 | DO-23928001 | MCR03EZPJ472 | 1 | 5/P | R226 |
| 227 | DO-23928001 | MCR03EZPJ472 | 1 | 5/P | R227 |
| 228 | DO-23928001 | MCR03EZPJ472 | 1 | 5/P | R228 |
| 229 | DO-23928001 | MCR03EZPJ472 | 1 | 5/P | R229 |
| 230 | DO-23891001 | MCR03EZPJ101 | 1 | 5/P | R230 |
| 231 | DO-23887001 | MCR03EZPJ000 | 1 | 5/P | R231 |
| 233 | DO-23917001 | MCR03EZPJ223 | 1 | 5/P | R233 |
| 234 | DO-23928001 | MCR03EZPJ472 | 1 | 5/P | R234 |
| 235 | DO-23891001 | MCR03EZPJ101 | 1 | 5/P | R235 |
| 237 | DO-23893001 | MCR03EZPJ102 | 1 | 5/P | R237 |
| 238 | DO-23928001 | MCR03EZPJ472 | 1 | 5/P | R238 |

| | | | | | | | | | |
|------|-------------|--------------|---|-----|--|--|--|--|------|
| 239 | DO-23916001 | MCR03EZPJ222 | 1 | 5/P | | | | | R239 |
| 241 | DO-23914001 | MCR03EZPJ220 | 1 | 5/P | | | | | R241 |
| 242 | DO-23914001 | MCR03EZPJ220 | 1 | 5/P | | | | | R242 |
| 243 | DO-23914001 | MCR03EZPJ220 | 1 | 5/P | | | | | R243 |
| 244 | DO-23891001 | MCR03EZPJ101 | 1 | 5/P | | | | | R244 |
| 245 | DO-23891001 | MCR03EZPJ101 | 1 | 5/P | | | | | R245 |
| 246 | DO-23938001 | MCR03EZPJ681 | 1 | 5/P | | | | | R246 |
| 247 | DO-23887001 | MCR03EZPJ000 | 1 | 5/P | | | | | R247 |
| 248 | DO-23887001 | MCR03EZPJ000 | 1 | 5/P | | | | | R248 |
| 249 | DO-23928001 | MCR03EZPJ472 | 1 | 5/P | | | | | R249 |
| 250 | DO-23928001 | MCR03EZPJ472 | 1 | 5/P | | | | | R250 |
| 251 | DO-23928001 | MCR03EZPJ472 | 1 | 5/P | | | | | R251 |
| 252 | DO-23891001 | MCR03EZPJ101 | 1 | 5/P | | | | | R252 |
| 253 | DO-23891001 | MCR03EZPJ101 | 1 | 5/P | | | | | R253 |
| 254 | DO-23887001 | MCR03EZPJ000 | 1 | 5/P | | | | | R254 |
| 256 | DO-23917001 | MCR03EZPJ223 | 1 | 5/P | | | | | R256 |
| 257 | DO-23917001 | MCR03EZPJ223 | 1 | 5/P | | | | | R257 |
| 258 | DO-23917001 | MCR03EZPJ223 | 1 | 5/P | | | | | R258 |
| 259 | DO-23891001 | MCR03EZPJ101 | 1 | 5/P | | | | | R259 |
| 260 | DO-23891001 | MCR03EZPJ101 | 1 | 5/P | | | | | R260 |
| 261 | DO-23927001 | MCR03EZPJ471 | 1 | 5/P | | | | | R261 |
| 262 | DO-24719001 | MCR03EZPJ105 | 1 | 5/P | | | | | R262 |
| 263 | DO-23928001 | MCR03EZPJ472 | 1 | 5/P | | | | | R263 |
| 264 | DO-23928001 | MCR03EZPJ472 | 1 | 5/P | | | | | R264 |
| 265 | DO-23928001 | MCR03EZPJ472 | 1 | 5/P | | | | | R265 |
| 266 | DO-23928001 | MCR03EZPJ472 | 1 | 5/P | | | | | R266 |
| 267 | DO-23928001 | MCR03EZPJ472 | 1 | 5/P | | | | | R267 |
| 268 | DO-23928001 | MCR03EZPJ472 | 1 | 5/P | | | | | R268 |
| 269 | DO-23928001 | MCR03EZPJ472 | 1 | 5/P | | | | | R269 |
| 270 | DO-23928001 | MCR03EZPJ472 | 1 | 5/P | | | | | R270 |
| 271 | DO-23928001 | MCR03EZPJ472 | 1 | 5/P | | | | | R271 |
| 272 | DO-23928001 | MCR03EZPJ472 | 1 | 5/P | | | | | R272 |
| 273 | DO-23917001 | MCR03EZPJ223 | 1 | 5/P | | | | | R273 |
| 274 | DO-23917001 | MCR03EZPJ223 | 1 | 5/P | | | | | R274 |
| 275 | DO-23917001 | MCR03EZPJ223 | 1 | 5/P | | | | | R275 |
| 276 | DO-23917001 | MCR03EZPJ223 | 1 | 5/P | | | | | R276 |
| 277 | DO-23917001 | MCR03EZPJ223 | 1 | 5/P | | | | | R277 |
| 278 | DO-23917001 | MCR03EZPJ223 | 1 | 5/P | | | | | R278 |
| 279 | DO-23917001 | MCR03EZPJ223 | 1 | 5/P | | | | | R279 |
| 280 | DO-23917001 | MCR03EZPJ223 | 1 | 5/P | | | | | R280 |
| 281 | DO-23917001 | MCR03EZPJ223 | 1 | 5/P | | | | | R281 |
| 284 | DO-23928001 | MCR03EZPJ472 | 1 | 5/P | | | | | R284 |
| 285 | DO-23917001 | MCR03EZPJ223 | 1 | 5/P | | | | | R285 |
| 286 | DO-23928001 | MCR03EZPJ472 | 1 | 5/P | | | | | R286 |
| 287 | DO-23917001 | MCR03EZPJ223 | 1 | 5/P | | | | | R287 |
| 288 | DO-23917001 | MCR03EZPJ223 | 1 | 5/P | | | | | R288 |
| 289 | DO-23917001 | MCR03EZPJ223 | 1 | 5/P | | | | | R289 |
| 290 | DO-23917001 | MCR03EZPJ223 | 1 | 5/P | | | | | R290 |
| 291 | DO-23917001 | MCR03EZPJ223 | 1 | 5/P | | | | | R291 |
| 292 | DO-23917001 | MCR03EZPJ223 | 1 | 5/P | | | | | R292 |
| 293 | DO-23917001 | MCR03EZPJ223 | 1 | 5/P | | | | | R293 |
| 294 | DO-23917001 | MCR03EZPJ223 | 1 | 5/P | | | | | R294 |
| 295C | DO-23891001 | MCR03EZPJ101 | 1 | 5/P | | | | | R295 |
| 298 | DO-23928001 | MCR03EZPJ472 | 1 | 5/P | | | | | R298 |
| 299 | DO-23928001 | MCR03EZPJ472 | 1 | 5/P | | | | | R299 |
| 300 | DO-23917001 | MCR03EZPJ223 | 1 | 5/P | | | | | R300 |
| 301 | DO-23917001 | MCR03EZPJ223 | 1 | 5/P | | | | | R301 |
| 302 | DO-23891001 | MCR03EZPJ101 | 1 | 5/P | | | | | R302 |
| 304 | DO-23928001 | MCR03EZPJ472 | 1 | 5/P | | | | | R304 |
| 305 | DO-23928001 | MCR03EZPJ472 | 1 | 5/P | | | | | R305 |
| 306 | DO-23928001 | MCR03EZPJ472 | 1 | 5/P | | | | | R306 |
| 307 | DO-23928001 | MCR03EZPJ472 | 1 | 5/P | | | | | R307 |
| 308 | DO-23928001 | MCR03EZPJ472 | 1 | 5/P | | | | | R308 |
| 309 | DO-23928001 | MCR03EZPJ472 | 1 | 5/P | | | | | R309 |
| 310 | DO-23928001 | MCR03EZPJ472 | 1 | 5/P | | | | | R310 |
| 311 | DO-23891001 | MCR03EZPJ101 | 1 | 5/P | | | | | R311 |
| 312 | DO-23891001 | MCR03EZPJ101 | 1 | 5/P | | | | | R312 |
| 313 | DO-23928001 | MCR03EZPJ472 | 1 | 5/P | | | | | R313 |
| 314 | DO-23928001 | MCR03EZPJ472 | 1 | 5/P | | | | | R314 |
| 317 | DO-23891001 | MCR03EZPJ101 | 1 | 5/P | | | | | R317 |
| 318 | DO-23917001 | MCR03EZPJ223 | 1 | 5/P | | | | | R318 |
| 321 | DO-23891001 | MCR03EZPJ101 | 1 | 5/P | | | | | R321 |
| 322 | DO-23917001 | MCR03EZPJ223 | 1 | 5/P | | | | | R322 |

| | | | | | | | | | | |
|-----|-------------|---------------|---|-----|--|--|--|--|--|------|
| 323 | DO-23917001 | MCR03EZPJ223 | 1 | 5/P | | | | | | R323 |
| 324 | DO-23928001 | MCR03EZPJ472 | 1 | 5/P | | | | | | R324 |
| 325 | DO-23928001 | MCR03EZPJ472 | 1 | 5/P | | | | | | R325 |
| 326 | DO-23891001 | MCR03EZPJ101 | 1 | 5/P | | | | | | R326 |
| 327 | DO-23928001 | MCR03EZPJ472 | 1 | 5/P | | | | | | R327 |
| 328 | DO-23928001 | MCR03EZPJ472 | 1 | 5/P | | | | | | R328 |
| 329 | DO-23891001 | MCR03EZPJ101 | 1 | 5/P | | | | | | R329 |
| 330 | DO-23891001 | MCR03EZPJ101 | 1 | 5/P | | | | | | R330 |
| 331 | DO-23928001 | MCR03EZPJ472 | 1 | 5/P | | | | | | R331 |
| 332 | DO-23928001 | MCR03EZPJ472 | 1 | 5/P | | | | | | R332 |
| 333 | DO-23928001 | MCR03EZPJ472 | 1 | 5/P | | | | | | R333 |
| 334 | DO-23928001 | MCR03EZPJ472 | 1 | 5/P | | | | | | R334 |
| 335 | DO-23928001 | MCR03EZPJ472 | 1 | 5/P | | | | | | R335 |
| 336 | DO-23928001 | MCR03EZPJ472 | 1 | 5/P | | | | | | R336 |
| 337 | DO-23928001 | MCR03EZPJ472 | 1 | 5/P | | | | | | R337 |
| 338 | DO-23928001 | MCR03EZPJ472 | 1 | 5/P | | | | | | R338 |
| 339 | DO-23891001 | MCR03EZPJ101 | 1 | 5/P | | | | | | R339 |
| 340 | DO-23928001 | MCR03EZPJ472 | 1 | 5/P | | | | | | R340 |
| 341 | DO-23928001 | MCR03EZPJ472 | 1 | 5/P | | | | | | R341 |
| 342 | DO-23928001 | MCR03EZPJ472 | 1 | 5/P | | | | | | R342 |
| 343 | DO-23928001 | MCR03EZPJ472 | 1 | 5/P | | | | | | R343 |
| 344 | DO-23928001 | MCR03EZPJ472 | 1 | 5/P | | | | | | R344 |
| 345 | DO-23928001 | MCR03EZPJ472 | 1 | 5/P | | | | | | R345 |
| 350 | DO-23917001 | MCR03EZPJ223 | 1 | 5/P | | | | | | R350 |
| 351 | DO-23928001 | MCR03EZPJ472 | 1 | 5/P | | | | | | R351 |
| 352 | DO-23928001 | MCR03EZPJ472 | 1 | 5/P | | | | | | R352 |
| 353 | DO-23928001 | MCR03EZPJ472 | 1 | 5/P | | | | | | R353 |
| 354 | DO-23917001 | MCR03EZPJ223 | 1 | 5/P | | | | | | R354 |
| 355 | DO-23917001 | MCR03EZPJ223 | 1 | 5/P | | | | | | R355 |
| 356 | DO-23917001 | MCR03EZPJ223 | 1 | 5/P | | | | | | R356 |
| 358 | DO-23928001 | MCR03EZPJ472 | 1 | 5/P | | | | | | R358 |
| 359 | DO-23928001 | MCR03EZPJ472 | 1 | 5/P | | | | | | R359 |
| 360 | DO-23928001 | MCR03EZPJ472 | 1 | 5/P | | | | | | R360 |
| 362 | DO-23917001 | MCR03EZPJ223 | 1 | 5/P | | | | | | R362 |
| 363 | DO-23917001 | MCR03EZPJ223 | 1 | 5/P | | | | | | R363 |
| 364 | DO-23917001 | MCR03EZPJ223 | 1 | 5/P | | | | | | R364 |
| 366 | DO-23917001 | MCR03EZPJ223 | 1 | 5/P | | | | | | R366 |
| 367 | DO-23928001 | MCR03EZPJ472 | 1 | 5/P | | | | | | R367 |
| 368 | DO-23917001 | MCR03EZPJ223 | 1 | 5/P | | | | | | R368 |
| 369 | DO-23928001 | MCR03EZPJ472 | 1 | 5/P | | | | | | R369 |
| 370 | DO-23917001 | MCR03EZPJ223 | 1 | 5/P | | | | | | R370 |
| 371 | DO-23928001 | MCR03EZPJ472 | 1 | 5/P | | | | | | R371 |
| 372 | DO-23917001 | MCR03EZPJ223 | 1 | 5/P | | | | | | R372 |
| 373 | DO-23917001 | MCR03EZPJ223 | 1 | 5/P | | | | | | R373 |
| 374 | DO-23928001 | MCR03EZPJ472 | 1 | 5/P | | | | | | R374 |
| 375 | DO-23928001 | MCR03EZPJ472 | 1 | 5/P | | | | | | R375 |
| 376 | DO-23917001 | MCR03EZPJ223 | 1 | 5/P | | | | | | R376 |
| 377 | DO-23917001 | MCR03EZPJ223 | 1 | 5/P | | | | | | R377 |
| 378 | DO-23917001 | MCR03EZPJ223 | 1 | 5/P | | | | | | R378 |
| 379 | DO-23917001 | MCR03EZPJ223 | 1 | 5/P | | | | | | R379 |
| 380 | DO-23917001 | MCR03EZPJ223 | 1 | 5/P | | | | | | R380 |
| 381 | DO-23917001 | MCR03EZPJ223 | 1 | 5/P | | | | | | R381 |
| 382 | DO-23917001 | MCR03EZPJ223 | 1 | 5/P | | | | | | R382 |
| 383 | DO-23917001 | MCR03EZPJ223 | 1 | 5/P | | | | | | R383 |
| 384 | DO-23917001 | MCR03EZPJ223 | 1 | 5/P | | | | | | R384 |
| 385 | DO-23929001 | MCR03EZPJ473 | 1 | 5/P | | | | | | R385 |
| 386 | DO-23928001 | MCR03EZPJ472 | 1 | 5/P | | | | | | R386 |
| 387 | DO-23917001 | MCR03EZPJ223 | 1 | 5/P | | | | | | R387 |
| 388 | DO-19517001 | MCR03EZPF2202 | 1 | 5/P | | | | | | R388 |
| 389 | DO-23928001 | MCR03EZPJ472 | 1 | 5/P | | | | | | R389 |
| 390 | DO-23917001 | MCR03EZPJ223 | 1 | 5/P | | | | | | R390 |
| 391 | DO-23928001 | MCR03EZPJ472 | 1 | 5/P | | | | | | R391 |
| 392 | DO-23917001 | MCR03EZPJ223 | 1 | 5/P | | | | | | R392 |
| 393 | DO-23928001 | MCR03EZPJ472 | 1 | 5/P | | | | | | R393 |
| 394 | DO-23917001 | MCR03EZPJ223 | 1 | 5/P | | | | | | R394 |
| 395 | DO-23917001 | MCR03EZPJ223 | 1 | 5/P | | | | | | R395 |
| 396 | DO-23928001 | MCR03EZPJ472 | 1 | 5/P | | | | | | R396 |
| 397 | DO-23928001 | MCR03EZPJ472 | 1 | 5/P | | | | | | R397 |
| 398 | DO-23928001 | MCR03EZPJ472 | 1 | 5/P | | | | | | R398 |
| 399 | DO-23928001 | MCR03EZPJ472 | 1 | 5/P | | | | | | R399 |
| 400 | DO-23928001 | MCR03EZPJ472 | 1 | 5/P | | | | | | R400 |
| 401 | DO-23928001 | MCR03EZPJ472 | 1 | 5/P | | | | | | R401 |
| 402 | DO-23928001 | MCR03EZPJ472 | 1 | 5/P | | | | | | R402 |

| | | | | | |
|-----|-------------|----------------|---|-----|------|
| 403 | DO-23928001 | MCR03EZPJ472 | 1 | 5/P | R403 |
| 404 | DO-23928001 | MCR03EZPJ472 | 1 | 5/P | R404 |
| 405 | DO-23928001 | MCR03EZPJ472 | 1 | 5/P | R405 |
| 406 | DO-23928001 | MCR03EZPJ472 | 1 | 5/P | R406 |
| 407 | DO-23928001 | MCR03EZPJ472 | 1 | 5/P | R407 |
| 408 | DO-19565001 | MCR03EZPFX3301 | 1 | 5/P | R408 |
| 409 | DO-19516001 | MCR03EZPFX2201 | 1 | 5/P | R409 |
| 410 | DO-19597001 | MCR03EZPFX4701 | 1 | 5/P | R410 |
| 411 | DO-23917001 | MCR03EZPJ223 | 1 | 5/P | R411 |
| 412 | DO-23917001 | MCR03EZPJ223 | 1 | 5/P | R412 |
| 413 | DO-23928001 | MCR03EZPJ472 | 1 | 5/P | R413 |
| 414 | DO-23917001 | MCR03EZPJ223 | 1 | 5/P | R414 |
| 415 | DO-23928001 | MCR03EZPJ472 | 1 | 5/P | R415 |
| 416 | DO-23917001 | MCR03EZPJ223 | 1 | 5/P | R416 |
| 417 | DO-23928001 | MCR03EZPJ472 | 1 | 5/P | R417 |
| 418 | DO-23917001 | MCR03EZPJ223 | 1 | 5/P | R418 |
| 419 | DO-23928001 | MCR03EZPJ472 | 1 | 5/P | R419 |
| 420 | DO-23917001 | MCR03EZPJ223 | 1 | 5/P | R420 |
| 421 | DO-23928001 | MCR03EZPJ472 | 1 | 5/P | R421 |
| 422 | DO-23917001 | MCR03EZPJ223 | 1 | 5/P | R422 |
| 423 | DO-23928001 | MCR03EZPJ472 | 1 | 5/P | R423 |
| 424 | DO-23917001 | MCR03EZPJ223 | 1 | 5/P | R424 |
| 425 | DO-23928001 | MCR03EZPJ472 | 1 | 5/P | R425 |
| 426 | DO-23917001 | MCR03EZPJ223 | 1 | 5/P | R426 |
| 427 | DO-23928001 | MCR03EZPJ472 | 1 | 5/P | R427 |
| 428 | DO-23917001 | MCR03EZPJ223 | 1 | 5/P | R428 |
| 429 | DO-23928001 | MCR03EZPJ472 | 1 | 5/P | R429 |
| 430 | DO-23917001 | MCR03EZPJ223 | 1 | 5/P | R430 |
| 431 | DO-23917001 | MCR03EZPJ223 | 1 | 5/P | R431 |
| 432 | DO-23917001 | MCR03EZPJ223 | 1 | 5/P | R432 |
| 433 | DO-23928001 | MCR03EZPJ472 | 1 | 5/P | R433 |
| 434 | DO-23928001 | MCR03EZPJ472 | 1 | 5/P | R434 |
| 435 | DO-23928001 | MCR03EZPJ472 | 1 | 5/P | R435 |
| 436 | DO-23891001 | MCR03EZPJ101 | 1 | 5/P | R436 |
| 437 | DO-23927001 | MCR03EZPJ471 | 1 | 5/P | R437 |
| 438 | DO-23927001 | MCR03EZPJ471 | 1 | 5/P | R438 |
| 439 | DO-23927001 | MCR03EZPJ471 | 1 | 5/P | R439 |
| 440 | DO-23927001 | MCR03EZPJ471 | 1 | 5/P | R440 |
| 441 | DO-23923001 | MCR03EZPJ332 | 1 | 5/P | R441 |
| 442 | DO-24920001 | MCR03EZPJ181 | 1 | 5/P | R442 |
| 443 | DO-23891001 | MCR03EZPJ101 | 1 | 5/P | R443 |
| 444 | DO-23891001 | MCR03EZPJ101 | 1 | 5/P | R444 |
| 445 | DO-23891001 | MCR03EZPJ101 | 1 | 5/P | R445 |
| 446 | DO-23891001 | MCR03EZPJ101 | 1 | 5/P | R446 |
| 447 | DO-23891001 | MCR03EZPJ101 | 1 | 5/P | R447 |
| 449 | DO-19453001 | MCR03EZPFX1002 | 1 | 5/P | R449 |
| 450 | DO-19453001 | MCR03EZPFX1002 | 1 | 5/P | R450 |
| 451 | DO-23917001 | MCR03EZPJ223 | 1 | 5/P | R451 |
| 452 | DO-23928001 | MCR03EZPJ472 | 1 | 5/P | R452 |
| 453 | DO-19482001 | MCR03EZPFX1501 | 1 | 5/P | R453 |
| 454 | DO-19482001 | MCR03EZPFX1501 | 1 | 5/P | R454 |
| 455 | DO-19482001 | MCR03EZPFX1501 | 1 | 5/P | R455 |
| 456 | DO-23923001 | MCR03EZPJ332 | 1 | 5/P | R456 |
| 457 | DO-23923001 | MCR03EZPJ332 | 1 | 5/P | R457 |
| 458 | DO-24920001 | MCR03EZPJ181 | 1 | 5/P | R458 |
| 459 | DO-24920001 | MCR03EZPJ181 | 1 | 5/P | R459 |
| 460 | DO-23928001 | MCR03EZPJ472 | 1 | 5/P | R460 |
| 461 | DO-23928001 | MCR03EZPJ472 | 1 | 5/P | R461 |
| 462 | DO-23928001 | MCR03EZPJ472 | 1 | 5/P | R462 |
| 463 | DO-23928001 | MCR03EZPJ472 | 1 | 5/P | R463 |
| 464 | DO-23928001 | MCR03EZPJ472 | 1 | 5/P | R464 |
| 465 | DO-23928001 | MCR03EZPJ472 | 1 | 5/P | R465 |
| 466 | DO-23928001 | MCR03EZPJ472 | 1 | 5/P | R466 |
| 467 | DO-23928001 | MCR03EZPJ472 | 1 | 5/P | R467 |
| 468 | DO-23928001 | MCR03EZPJ472 | 1 | 5/P | R468 |
| 469 | DO-23928001 | MCR03EZPJ472 | 1 | 5/P | R469 |
| 470 | DO-23928001 | MCR03EZPJ472 | 1 | 5/P | R470 |
| 471 | DO-23928001 | MCR03EZPJ472 | 1 | 5/P | R471 |
| 472 | DO-19482001 | MCR03EZPFX1501 | 1 | 5/P | R472 |
| 473 | DO-23923001 | MCR03EZPJ332 | 1 | 5/P | R473 |
| 474 | DO-23923001 | MCR03EZPJ332 | 1 | 5/P | R474 |
| 475 | DO-23923001 | MCR03EZPJ332 | 1 | 5/P | R475 |
| 476 | DO-24920001 | MCR03EZPJ181 | 1 | 5/P | R476 |

| | | | | | | | | | | | |
|--------|-------------|------------------------------|---|-----|--|---|---|---|------------|------------|------|
| 477 | DO-24920001 | MCR03EZPJ181 | 1 | 5/P | | | | | | R477 | |
| 478 | DO-24920001 | MCR03EZPJ181 | 1 | 5/P | | | | | | R478 | |
| 479 | DO-23928001 | MCR03EZPJ472 | 1 | 5/P | | | | | | R479 | |
| 480 | DO-23928001 | MCR03EZPJ472 | 1 | 5/P | | | | | | R480 | |
| 481 | DO-23928001 | MCR03EZPJ472 | 1 | 5/P | | | | | | R481 | |
| 482 | DO-23928001 | MCR03EZPJ472 | 1 | 5/P | | | | | | R482 | |
| 483 | DO-23928001 | MCR03EZPJ472 | 1 | 5/P | | | | | | R483 | |
| 484 | DO-23928001 | MCR03EZPJ472 | 1 | 5/P | | | | | | R484 | |
| 485 | DO-23928001 | MCR03EZPJ472 | 1 | 5/P | | | | | | R485 | |
| 486 | DO-23928001 | MCR03EZPJ472 | 1 | 5/P | | | | | | R486 | |
| 487 | DO-23928001 | MCR03EZPJ472 | 1 | 5/P | | | | | | R487 | |
| 488 | DO-23928001 | MCR03EZPJ472 | 1 | 5/P | | | | | | R488 | |
| 489 | DO-23928001 | MCR03EZPJ472 | 1 | 5/P | | | | | | R489 | |
| 490 | DO-23928001 | MCR03EZPJ472 | 1 | 5/P | | | | | | R490 | |
| 491 | DO-23895001 | MCR03EZPJ103 | 1 | 5/P | | | | | | R491 | |
| 492 | DO-23916001 | MCR03EZPJ222 | 1 | 5/P | | | | | | R492 | |
| 493 | DO-23891001 | MCR03EZPJ101 | 1 | 5/P | | | | | | R493 | |
| 494 | DO-23891001 | MCR03EZPJ101 | 1 | 5/P | | | | | | R494 | |
| 495 | DO-23923001 | MCR03EZPJ332 | 1 | 5/P | | | | | | R495 | |
| 496 | DO-23923001 | MCR03EZPJ332 | 1 | 5/P | | | | | | R496 | |
| 497 | DO-23928001 | MCR03EZPJ472 | 1 | 5/P | | | | | | R497 | |
| 498 | DO-19482001 | MCR03EZPFX1501 | 1 | 5/P | | | | | | R498 | |
| 499 | DO-19482001 | MCR03EZPFX1501 | 1 | 5/P | | | | | | R499 | |
| 500 | DO-19464001 | MCR03EZPFX1201 | 1 | 5/P | | | | | | R500 | |
| 501 | DO-24920001 | MCR03EZPJ181 | 1 | 5/P | | | | | | R501 | |
| 502 | DO-24920001 | MCR03EZPJ181 | 1 | 5/P | | | | | | R502 | |
| 503 | DO-23914001 | MCR03EZPJ220 | 1 | 5/P | | | | | | R503 | |
| 504 | DO-23927001 | MCR03EZPJ471 | 1 | 5/P | | | | | | R504 | |
| 505 | DO-23927001 | MCR03EZPJ471 | 1 | 5/P | | | | | | R505 | |
| 506 | DO-23914001 | MCR03EZPJ220 | 1 | 5/P | | | | | | R506 | |
| 507 | DO-23914001 | MCR03EZPJ220 | 1 | 5/P | | | | | | R507 | |
| 508 | DO-23914001 | MCR03EZPJ220 | 1 | 5/P | | | | | | R508 | |
| 509 | DO-23887001 | MCR03EZPJ000 | 1 | 5/P | | | | | | R509 | |
| 510 | DO-23917001 | MCR03EZPJ223 | 1 | 5/P | | | | | | R510 | |
| 511 | DO-25608001 | MCR03EZPJ680 | 1 | 5/P | | | | | | R511 | |
| 512 | DO-23928001 | MCR03EZPJ472 | 1 | 5/P | | | | | | R512 | |
| 514 | DO-23939001 | MCR03EZPJ750 | 1 | 5/P | | | | | | R514 | |
| 515 | DO-23928001 | MCR03EZPJ472 | 1 | 5/P | | | | | | R515 | |
| 516 | DO-23928001 | MCR03EZPJ472 | 1 | 5/P | | | | | | R516 | |
| 517 | DO-23938001 | MCR03EZPJ681 | 1 | 5/P | | | | | | R517 | |
| 518 | DO-23917001 | MCR03EZPJ223 | 1 | 5/P | | | | | | R518 | |
| 519 | DO-19483001 | MCR03EZPFX1502 | 1 | 5/P | | | | | | R519 | |
| 520 | DO-23928001 | MCR03EZPJ472 | 1 | 5/P | | | | | | R520 | |
| 521 | DO-23928001 | MCR03EZPJ472 | 1 | 5/P | | | | | | R521 | |
| 524 | DO-23891001 | MCR03EZPJ101 | 1 | 5/P | | | | | | R524 | |
| 525 | DO-23917001 | MCR03EZPJ223 | 1 | 5/P | | | | | | R525 | |
| 526 | DO-23939001 | MCR03EZPJ750 | 1 | 5/P | | | | | | R526 | |
| 527 | DO-23928001 | MCR03EZPJ472 | 1 | 5/P | | | | | | R527 | |
| 528 | DO-23891001 | MCR03EZPJ101 | 1 | 5/P | | | | | | R528 | |
| 529 | DO-23914001 | MCR03EZPJ220 | 1 | 5/P | | | | | | R529 | |
| 530 | DO-23917001 | MCR03EZPJ223 | 1 | 5/P | | | | | | R530 | |
| 531 | DO-23917001 | MCR03EZPJ223 | 1 | 5/P | | | | | | R531 | |
| 532 | DO-19453001 | MCR03EZPFX1002 | 1 | 5/P | | | | | | R532 | |
| 533 | DO-23887001 | MCR03EZPJ000 | 1 | 5/P | | | | | | R533 | |
| 535 | DO-23891001 | MCR03EZPJ101 | 1 | 5/P | | | | | | R535 | |
| 536 | DO-23928001 | MCR03EZPJ472 | 1 | 5/P | | | | | | R536 | |
| 537 | DO-23928001 | MCR03EZPJ472 | 1 | 5/P | | | | | | R537 | |
| 538 | DO-23928001 | MCR03EZPJ472 | 1 | 5/P | | | | | | R538 | |
| 539 | DO-23887001 | MCR03EZPJ000 | 1 | 5/P | | | | | | R539 | |
| 540 | DO-25608001 | MCR03EZPJ680 | 1 | 5/P | | | | | | R540 | |
| 541 | DO-23891001 | MCR03EZPJ101 | 1 | 5/P | | | | | | R541 | |
| 542 | DO-23891001 | MCR03EZPJ101 | 1 | 5/P | | | | | | R542 | |
| 543 | DO-25114001 | MCR03EZPJ392 | 1 | 5/P | | | | | | R543 | |
| 545 | DO-23891001 | MCR03EZPJ101 | 1 | 5/P | | | | | | R545 | |
| 546B | EO-06770000 | B22B-CZW HK-B-1 (LF) | 1 | 5/P | | | | | To: 546B-1 | R546 | |
| 546B-1 | EO-10620000 | B22B-CZW HK-B-1 (LF) (SN) | 1 | 5/P | | C | E | J | G07E885 | From: 546B | R546 |
| 546C | EO-06771000 | B24B-CZW HK-B-1 (LF) | 1 | 5/P | | | | | | | R546 |
| 547 | DO-19482001 | MCR03EZPFX1501 | 1 | 5/P | | | | | | | R547 |
| 548 | DO-19452001 | MCR03EZPFX1001 | 1 | 5/P | | | | | | | R548 |
| 549 | DO-23928001 | MCR03EZPJ472 | 1 | 5/P | | | | | | | R549 |

| | | | | | | | | | | |
|-------|-------------|-----------------------------|---|-----|--|---|---|---|-----------|-----------|
| 550 | D0-23887001 | MCR03EZPJ000 | 1 | 5/P | | | | | | R550 |
| 551 | D0-25602001 | MCR03EZPJ682 | 1 | 5/P | | | | | | R551 |
| 553 | D0-23914001 | MCR03EZPJ220 | 1 | 5/P | | | | | | R553 |
| 554 | D0-23928001 | MCR03EZPJ472 | 1 | 5/P | | | | | | R554 |
| 555 | D0-23887001 | MCR03EZPJ000 | 1 | 5/P | | | | | | R555 |
| 556 | D0-23928001 | MCR03EZPJ472 | 1 | 5/P | | | | | | R556 |
| 561 | D0-23928001 | MCR03EZPJ472 | 1 | 5/P | | | | | | R561 |
| 562 | D0-23914001 | MCR03EZPJ220 | 1 | 5/P | | | | | | R562 |
| 563 | D0-23914001 | MCR03EZPJ220 | 1 | 5/P | | | | | | R563 |
| 564 | D0-23914001 | MCR03EZPJ220 | 1 | 5/P | | | | | | R564 |
| 565 | D0-23914001 | MCR03EZPJ220 | 1 | 5/P | | | | | | R565 |
| 566 | D0-23887001 | MCR03EZPJ000 | 1 | 5/P | | | | | | R566 |
| 567 | D0-23887001 | MCR03EZPJ000 | 1 | 5/P | | | | | | R567 |
| 568 | D0-23887001 | MCR03EZPJ000 | 1 | 5/P | | | | | | R568 |
| 569 | D0-23923001 | MCR03EZPJ332 | 1 | 5/P | | | | | | R569 |
| 570 | D0-23923001 | MCR03EZPJ332 | 1 | 5/P | | | | | | R570 |
| 571 | D0-23923001 | MCR03EZPJ332 | 1 | 5/P | | | | | | R571 |
| 572 | D0-23923001 | MCR03EZPJ332 | 1 | 5/P | | | | | | R572 |
| 573 | D0-23923001 | MCR03EZPJ332 | 1 | 5/P | | | | | | R573 |
| 574 | D0-23923001 | MCR03EZPJ332 | 1 | 5/P | | | | | | R574 |
| 576 | D0-25602001 | MCR03EZPJ682 | 1 | 5/P | | | | | | R576 |
| 577 | D0-25602001 | MCR03EZPJ682 | 1 | 5/P | | | | | | R577 |
| 578 | D0-25602001 | MCR03EZPJ682 | 1 | 5/P | | | | | | R578 |
| 579 | D0-25602001 | MCR03EZPJ682 | 1 | 5/P | | | | | | R579 |
| 580 | D0-25602001 | MCR03EZPJ682 | 1 | 5/P | | | | | | R580 |
| 581 | D0-25602001 | MCR03EZPJ682 | 1 | 5/P | | | | | | R581 |
| 582 | D0-25602001 | MCR03EZPJ682 | 1 | 5/P | | | | | | R582 |
| 583 | D0-25602001 | MCR03EZPJ682 | 1 | 5/P | | | | | | R583 |
| 584 | D0-23928001 | MCR03EZPJ472 | 1 | 5/P | | | | | | R584 |
| 585 | D0-23891001 | MCR03EZPJ101 | 1 | 5/P | | | | | | R585 |
| 586 | D0-23928001 | MCR03EZPJ472 | 1 | 5/P | | | | | | R586 |
| 651 | E0-06866000 | 1-292252-6 | 1 | 5/P | | | | | | CN301 |
| 652 | E0-06855000 | 292132-6 | 1 | 5/P | | | | | | CN302 |
| 653A | E0-06769000 | B20B-CZWHK-B-1 (LF) | 1 | 5/P | | | | | | CN303 |
| 653C | E0-06771000 | B24B-CZWHK-B-1 (LF) | 1 | 5/P | | | | | | CN303 |
| 654 | E0-06779000 | B40B-CZWHK-B-1 (LF) | 1 | 5/P | | | | | To: 654-1 | CN304 |
| 654-1 | E0-10629000 | B40B-CZWHK-B-1 (LF)(SN) | 1 | 5/P | | C | E | J | G07E885 | From: 654 |
| 655 | E0-06776000 | B34B-CZWHK-B-1 (LF) | 1 | 5/P | | | | | | To: 655-1 |
| 655-1 | E0-10626000 | B34B-CZWHK-B-1 (LF)(SN) | 1 | 5/P | | C | E | J | G07E885 | From: 655 |
| 656 | E0-06777000 | B36B-CZWHK-B-1 (LF) | 1 | 5/P | | | | | | To: 656-1 |
| 656-1 | E0-10627000 | B36B-CZWHK-B-1 (LF)(SN) | 1 | 5/P | | C | E | J | G07E885 | From: 656 |
| 657 | E0-06774000 | B30B-CZWHK-B-1 (LF) | 1 | 5/P | | | | | | To: 657-1 |
| 657-1 | E0-10624000 | B30B-CZWHK-B-1 (LF)(SN) | 1 | 5/P | | C | E | J | G07E885 | From: 657 |
| 658 | E0-06773000 | B28B-CZWHK-B-1 (LF) | 1 | 5/P | | | | | | CN308 |
| 659 | E0-08026000 | HIF6A-34PA-1.27DSA (71) | 1 | 5/P | | | | | | CN309 |
| 660 | E0-09641000 | B32B-CZWK-B-1 (LF) | 1 | 5/P | | | | | | CN310 |
| 661 | E0-07150000 | B26B-XADSS-N-A (LF) | 1 | 5/P | | | | | | CN311 |
| 662 | E0-07147000 | B5B-PH-KBLC-H (LF) | 1 | 5/P | | | | | | CN312 |
| 663 | E0-08580001 | 00 6208 518 310 000 + | 1 | 5/P | | | | | | CN313 |
| 666 | E0-08389000 | DHB-PA34-R13NNA- FA | 1 | 1/P | | | | | | CN316 |
| 667 | E0-08370000 | 5174215-1 | 1 | 5/P | | | | | | CN317 |
| 701 | E0-07287000 | RXEF040 | 1 | 5/P | | | | | | F1 |
| 751 | D0-24162001 | SG-8002JF- 36.3784M-PCBL | 1 | 5/P | | | | | | X1 |
| 752 | D0-25499001 | SG-8002JF-25M-PCBL | 1 | 5/P | | | | | | X2 |
| 753 | D0-24001001 | MA-406-24M-10/50 | 1 | 5/P | | | | | | X3 |



| Item No. | Parts No. | Parts Name | QTY/ Unit | QTY/ Pack | Part remarks | Catg. | Serial No. | P | I | R | BSI No. | Change | PC Board |
|----------|-------------|---------------------------|--------------|--------------|--------------|-------|------------|---|---|---|---------|-----------|----------|
| 0 | 6LE88455000 | ASY-PWA-SYS-377S | 1 | 1/SB | | | | | | | | | |
| 11 | CO-12912001 | CY23FP12OXC-AAAT | 1 | 5/P | | | | | | | | | IC1 |
| 13 | CO-08121001 | TC7WH125FU(TE12L F) | 1 | 5/P | | | | | | | | | IC3 |
| 14 | CO-11008001 | SN74LVC1G14DBVR | 1 | 5/S | | | | | | | | | IC4 |
| 15 | CO-12776000 | S29GL064M90TFIR70 | 1 | 1/S | | | | | | | | To: 15-1 | IC5 |
| 15-1 | CO-13950000 | S29GL064A90TFIR70 | 1 | 1/S | | | | C | E | J | G07B615 | From: 15 | |
| 16 | CO-12770001 | CY2SSTV855ZXCT | 1 | 5/P | | | | | | | | To: 17-1 | IC6 |
| 17 | CO-12911001 | EC-N154 AT24C01A-10SU-2.7 | 1 | 5/P | | | | | | | | | IC7 |
| 17-1 | CO-14007001 | EC-N154 AT24C01BN-SH-T | 1 | 5/P | | | | C | E | J | G07A566 | From: 17 | |
| 18 | CO-11016001 | SN74LV273APWR | 1 | 5/S | | | | | | | | | IC8 |
| 19 | CO-11013001 | SN74LS07DBR | 1 | 5/S | | | | | | | | | IC9 |
| 20 | CO-11006001 | SN74LVC1G04DBVR | 1 | 5/S | | | | | | | | | IC10 |
| 21 | CO-12776000 | S29GL064M90TFIR70 | 1 | 1/S | | | | | | | | To: 21-1 | IC11 |
| 21-1 | CO-13950000 | S29GL064A90TFIR70 | 1 | 1/S | | | | C | E | J | G07B615 | From: 21 | |
| 22 | CO-08180001 | RS5C372A-E2-FB | 1 | 5/S | | | | | | | | | IC12 |
| 23 | CO-09305001 | LP2996MRX/NOPB | 1 | 5/P | | | | | | | | | IC13 |
| 24 | CO-12767000 | MV64430-A0-BDM1C133 | 1 | 5/P | | | | | | | | | IC14 |
| 26 | CO-11015001 | SN74LV14APWR | 1 | 1/S | | | | | | | | | IC16 |
| 27 | CO-09319001 | KSZ8721SL-A4 TR | 1 | 5/P | | | | | | | | | IC17 |
| 28 | CO-11035001 | LP3892ESX-1.5/NOPB | 1 | 1/S | | | | | | | | | IC18 |
| 31 | EO-07855000 | 1-390262-2 | 1 | 5/S | | | | | | | | | IC21 |
| 32 | CO-12376001 | CY2309ZXC-1HT | 1 | 5/S | | | | | | | | | IC22 |
| 33 | CO-06535000 | EC-N046 UPD85670S1-011-F6 | 1 | 1/S | | | | | | | | | IC23 |
| 34 | CO-11052001 | SN74LV08APWR | 1 | 5/P | | | | | | | | | IC24 |
| 35 | CO-11015001 | SN74LV14APWR | 1 | 1/S | | | | | | | | | IC25 |
| 37 | CO-09821001 | FAN1587AM15X | 1 | 5/S | | | | | | | | | IC27 |
| 38 | CO-12073000 | MT48LC8M16A2P-75G | 1 | 5/S | | | | | | | | | IC28 |
| 39 | CO-12073000 | MT48LC8M16A2P-75G | 1 | 5/S | | | | | | | | | IC29 |
| 40 | CO-11212001 | M51957BFP CF1J | 1 | 5/S | | | | | | | | | IC30 |
| 41 | CO-11212001 | M51957BFP CF1J | 1 | 5/S | | | | | | | | | IC31 |
| 42 | CO-09822001 | FAN1587AMX | 1 | 5/S | | | | | | | | | IC32 |
| 43 | CO-11015001 | SN74LV14APWR | 1 | 1/S | | | | | | | | | IC33 |
| 44 | CO-11061001 | SN74LVC2G17DCKR | 1 | 5/S | | | | | | | | | IC34 |
| 101 | CO-11008001 | SN74LVC1G14DBVR | 1 | 5/S | | | | | | | | | IC301 |
| 103 | CO-11008001 | SN74LVC1G14DBVR | 1 | 5/S | | | | | | | | | IC303 |
| 104 | CO-11008001 | SN74LVC1G14DBVR | 1 | 5/S | | | | | | | | | IC304 |
| 105 | CO-11020001 | SN74LVC32APWR | 1 | 5/S | | | | | | | | | IC305 |
| 106 | CO-09527001 | 74VHCT245AMTCX | 1 | 5/P | | | | | | | | | IC306 |
| 107 | CO-09527001 | 74VHCT245AMTCX | 1 | 5/P | | | | | | | | | IC307 |
| 108 | CO-11007001 | SN74LVC1G08DBVR | 1 | 5/S | | | | | | | | | IC308 |
| 109 | CO-09308001 | LM2737MTCX/NOPB | 1 | 5/P | | | | | | | | | IC309 |
| 110 | CO-11045001 | SN74ALVC08PWR | 1 | 5/P | | | | | | | | | IC310 |
| 111 | CO-12779000 | CY62146DV30LL-55ZSXI | 1 | 1/S | | | | | | | | To: 111-1 | IC311 |
| 111-1 | CO-13612001 | CY62146EV30LL-45ZSXI | 1 | 1/S | | | | C | E | J | G07A550 | From: 111 | IC311 |
| 112 | CO-11007001 | SN74LVC1G08DBVR | 1 | 5/S | | | | | | | | | IC312 |
| 113 | CO-11054001 | SN74LV373APWR | 1 | 5/P | | | | | | | | | IC313 |
| 114 | CO-11054001 | SN74LV373APWR | 1 | 5/P | | | | | | | | | IC314 |
| 115 | CO-11007001 | SN74LVC1G08DBVR | 1 | 5/S | | | | | | | | | IC315 |
| 116 | CO-09308001 | LM2737MTCX/NOPB | 1 | 5/P | | | | | | | | | IC316 |
| 117 | CO-11052001 | SN74LV08APWR | 1 | 5/P | | | | | | | | | IC317 |
| 118 | CO-11006001 | SN74LVC1G04DBVR | 1 | 5/S | | | | | | | | | IC318 |
| 119 | CO-11006001 | SN74LVC1G04DBVR | 1 | 5/S | | | | | | | | | IC319 |
| 120 | CO-11009001 | SN74LVC1G32DBVR | 1 | 5/S | | | | | | | | | IC320 |
| 121 | CO-11009001 | SN74LVC1G32DBVR | 1 | 5/S | | | | | | | | | IC321 |
| 122 | CO-11014001 | SN74LV138APWR | 1 | 5/S | | | | | | | | | IC322 |
| 123 | CO-08122001 | TC7WH157FK(TE85L F) | 1 | 5/P | | | | | | | | | IC323 |
| 124 | CO-11054001 | SN74LV373APWR | 1 | 5/P | | | | | | | | | IC324 |
| 125 | CO-11054001 | SN74LV373APWR | 1 | 5/P | | | | | | | | | IC325 |
| 126 | CO-11009001 | SN74LVC1G32DBVR | 1 | 5/S | | | | | | | | | IC326 |
| 127 | CO-11053001 | SN74LV240APWR | 1 | 5/P | | | | | | | | | IC327 |
| 128 | CO-11015001 | SN74LV14APWR | 1 | 1/S | | | | | | | | | IC328 |
| 129 | CO-11212001 | M51957BFP CF1J | 1 | 5/S | | | | | | | | | IC329 |

| Item No. | Parts No. | Parts Name | QTY/ Unit | QTY/ Pack | Part remarks | Catg. | Serial No. | P | I | R | BSI No. | Change | PC Board |
|----------|-------------|--------------------|--------------|--------------|--------------|-------|------------|---|---|---|---------|--------|----------|
| 1 | DO-04102001 | GRM1882C1H101JA01D | 1 | 10/P | | | | | | | | | C1 |
| 4 | DO-05723001 | GRM21BF11C105ZA01L | 1 | 10/P | | | | | | | | | C4 |
| 5 | DO-23228001 | 10SVP330M | 1 | 5/P | | | | | | | | | C5 |
| 6 | DO-05723001 | GRM21BF11C105ZA01L | 1 | 10/P | | | | | | | | | C6 |
| 7 | DO-04102001 | GRM1882C1H101JA01D | 1 | 10/P | | | | | | | | | C7 |
| 8 | DO-04102001 | GRM1882C1H101JA01D | 1 | 10/P | | | | | | | | | C8 |
| 9 | DO-04102001 | GRM1882C1H101JA01D | 1 | 10/P | | | | | | | | | C9 |
| 10 | DO-04102001 | GRM1882C1H101JA01D | 1 | 10/P | | | | | | | | | C10 |
| 11 | DO-04102001 | GRM1882C1H101JA01D | 1 | 10/P | | | | | | | | | C11 |
| 12 | DO-04102001 | GRM1882C1H101JA01D | 1 | 10/P | | | | | | | | | C12 |
| 13 | DO-04102001 | GRM1882C1H101JA01D | 1 | 10/P | | | | | | | | | C13 |
| 14 | DO-04102001 | GRM1882C1H101JA01D | 1 | 10/P | | | | | | | | | C14 |
| 15 | DO-04102001 | GRM1882C1H101JA01D | 1 | 10/P | | | | | | | | | C15 |
| 16 | DO-04102001 | GRM1882C1H101JA01D | 1 | 10/P | | | | | | | | | C16 |
| 17 | DO-04102001 | GRM1882C1H101JA01D | 1 | 10/P | | | | | | | | | C17 |
| 18 | DO-04102001 | GRM1882C1H101JA01D | 1 | 10/P | | | | | | | | | C18 |
| 19 | DO-04102001 | GRM1882C1H101JA01D | 1 | 10/P | | | | | | | | | C19 |
| 20 | DO-04102001 | GRM1882C1H101JA01D | 1 | 10/P | | | | | | | | | C20 |
| 21 | DO-18689001 | GRM155B11A104KA01D | 1 | 5/P | | | | | | | | | C21 |
| 22 | DO-07623001 | GRM188B10J105KA01D | 1 | 5/P | | | | | | | | | C22 |
| 23 | DO-16812001 | MV16VC10MD55E0 | 1 | 5/P | | | | | | | | | C23 |
| 24 | DO-16812001 | MV16VC10MD55E0 | 1 | 5/P | | | | | | | | | C24 |
| 25 | DO-18689001 | GRM155B11A104KA01D | 1 | 5/P | | | | | | | | | C25 |
| 26 | DO-07623001 | GRM188B10J105KA01D | 1 | 5/P | | | | | | | | | C26 |
| 27 | DO-18689001 | GRM155B11A104KA01D | 1 | 5/P | | | | | | | | | C27 |
| 28 | DO-17937001 | PXA10VC47MF60 | 1 | 5/P | | | | | | | | | C28 |
| 29 | DO-23433001 | 4SVP560M | 1 | 5/P | | | | | | | | | C29 |
| 32 | DO-07622001 | GRM188B11E104KA01D | 1 | 5/P | | | | | | | | | C32 |
| 33 | DO-07622001 | GRM188B11E104KA01D | 1 | 5/P | | | | | | | | | C33 |
| 34 | DO-07622001 | GRM188B11E104KA01D | 1 | 5/P | | | | | | | | | C34 |
| 35 | DO-18689001 | GRM155B11A104KA01D | 1 | 5/P | | | | | | | | | C35 |
| 36 | DO-16813001 | MV16VC22ME55E0 | 1 | 5/P | | | | | | | | | C36 |
| 37 | DO-18698001 | GRM155B11E103KA01D | 1 | 5/P | | | | | | | | | C37 |
| 38 | DO-18689001 | GRM155B11A104KA01D | 1 | 5/P | | | | | | | | | C38 |
| 39 | DO-18689001 | GRM155B11A104KA01D | 1 | 5/P | | | | | | | | | C39 |
| 40 | DO-18689001 | GRM155B11A104KA01D | 1 | 5/P | | | | | | | | | C40 |
| 41 | DO-18698001 | GRM155B11E103KA01D | 1 | 5/P | | | | | | | | | C41 |
| 42 | DO-05723001 | GRM21BF11C105ZA01L | 1 | 10/P | | | | | | | | | C42 |
| 43 | DO-18689001 | GRM155B11A104KA01D | 1 | 5/P | | | | | | | | | C43 |
| 44 | DO-05723001 | GRM21BF11C105ZA01L | 1 | 10/P | | | | | | | | | C44 |
| 45 | DO-18689001 | GRM155B11A104KA01D | 1 | 5/P | | | | | | | | | C45 |
| 46 | DO-18689001 | GRM155B11A104KA01D | 1 | 5/P | | | | | | | | | C46 |
| 47 | DO-18698001 | GRM155B11E103KA01D | 1 | 5/P | | | | | | | | | C47 |
| 48 | DO-18689001 | GRM155B11A104KA01D | 1 | 5/P | | | | | | | | | C48 |
| 49 | DO-18689001 | GRM155B11A104KA01D | 1 | 5/P | | | | | | | | | C49 |
| 50 | DO-18689001 | GRM155B11A104KA01D | 1 | 5/P | | | | | | | | | C50 |
| 51 | DO-18698001 | GRM155B11E103KA01D | 1 | 5/P | | | | | | | | | C51 |
| 52 | DO-18689001 | GRM155B11A104KA01D | 1 | 5/P | | | | | | | | | C52 |
| 53 | DO-23228001 | 10SVP330M | 1 | 5/P | | | | | | | | | C53 |
| 54 | DO-18689001 | GRM155B11A104KA01D | 1 | 5/P | | | | | | | | | C54 |
| 55 | DO-18689001 | GRM155B11A104KA01D | 1 | 5/P | | | | | | | | | C55 |
| 56 | DO-18689001 | GRM155B11A104KA01D | 1 | 5/P | | | | | | | | | C56 |
| 57 | DO-23228001 | 10SVP330M | 1 | 5/P | | | | | | | | | C57 |
| 58 | DO-18698001 | GRM155B11E103KA01D | 1 | 5/P | | | | | | | | | C58 |
| 60 | DO-18689001 | GRM155B11A104KA01D | 1 | 5/P | | | | | | | | | C60 |
| 61 | DO-18689001 | GRM155B11A104KA01D | 1 | 5/P | | | | | | | | | C61 |
| 62 | DO-18698001 | GRM155B11E103KA01D | 1 | 5/P | | | | | | | | | C62 |
| 63 | DO-18689001 | GRM155B11A104KA01D | 1 | 5/P | | | | | | | | | C63 |
| 64 | DO-23230001 | 6SVP470M | 1 | 5/P | | | | | | | | | C64 |
| 65 | DO-18698001 | GRM155B11E103KA01D | 1 | 5/P | | | | | | | | | C65 |
| 66 | DO-18689001 | GRM155B11A104KA01D | 1 | 5/P | | | | | | | | | C66 |
| 67 | DO-16813001 | MV16VC22ME55E0 | 1 | 5/P | | | | | | | | | C67 |
| 68 | DO-07622001 | GRM188B11E104KA01D | 1 | 5/P | | | | | | | | | C68 |
| 69 | DO-16812001 | MV16VC10MD55E0 | 1 | 5/P | | | | | | | | | C69 |
| 70 | DO-07622001 | GRM188B11E104KA01D | 1 | 5/P | | | | | | | | | C70 |
| 71 | DO-16829001 | MV10VC100MF60E0 | 1 | 5/P | | | | | | | | | C71 |

| | | | | | |
|-----|-------------|--------------------|---|------|------|
| 72 | DO-18689001 | GRM155B11A104KA01D | 1 | 5/P | C72 |
| 73 | DO-07623001 | GRM188B10J105KA01D | 1 | 5/P | C73 |
| 74 | DO-18689001 | GRM155B11A104KA01D | 1 | 5/P | C74 |
| 75 | DO-07623001 | GRM188B10J105KA01D | 1 | 5/P | C75 |
| 76 | DO-18689001 | GRM155B11A104KA01D | 1 | 5/P | C76 |
| 77 | DO-18689001 | GRM155B11A104KA01D | 1 | 5/P | C77 |
| 78 | DO-07623001 | GRM188B10J105KA01D | 1 | 5/P | C78 |
| 79 | DO-18689001 | GRM155B11A104KA01D | 1 | 5/P | C79 |
| 80 | DO-23230001 | 6SVP470M | 1 | 5/P | C80 |
| 82 | DO-07622001 | GRM188B11E104KA01D | 1 | 5/P | C82 |
| 83 | DO-05723001 | GRM21BF11C105ZA01L | 1 | 10/P | C83 |
| 84 | DO-23433001 | 4SVP560M | 1 | 5/P | C84 |
| 85 | DO-05723001 | GRM21BF11C105ZA01L | 1 | 10/P | C85 |
| 87 | DO-05723001 | GRM21BF11C105ZA01L | 1 | 10/P | C87 |
| 88 | DO-05723001 | GRM21BF11C105ZA01L | 1 | 10/P | C88 |
| 89 | DO-07622001 | GRM188B11E104KA01D | 1 | 5/P | C89 |
| 90 | DO-07622001 | GRM188B11E104KA01D | 1 | 5/P | C90 |
| 91 | DO-23228001 | 10SVP330M | 1 | 5/P | C91 |
| 93 | DO-18689001 | GRM155B11A104KA01D | 1 | 5/P | C93 |
| 94 | DO-18689001 | GRM155B11A104KA01D | 1 | 5/P | C94 |
| 95 | DO-16814001 | MV16VC47MF55E0 | 1 | 5/P | C95 |
| 96 | DO-16814001 | MV16VC47MF55E0 | 1 | 5/P | C96 |
| 97 | DO-16812001 | MV16VC10MD55E0 | 1 | 5/P | C97 |
| 98 | DO-07622001 | GRM188B11E104KA01D | 1 | 5/P | C98 |
| 99 | DO-17421001 | GRM219B31E225KA75D | 1 | 5/P | C99 |
| 100 | DO-17421001 | GRM219B31E225KA75D | 1 | 5/P | C100 |
| 101 | DO-16726001 | MVY16VC220MF80E0 | 1 | 5/P | C101 |
| 102 | DO-07622001 | GRM188B11E104KA01D | 1 | 5/P | C102 |
| 103 | DO-07622001 | GRM188B11E104KA01D | 1 | 5/P | C103 |
| 104 | DO-17421001 | GRM219B31E225KA75D | 1 | 5/P | C104 |
| 105 | DO-17421001 | GRM219B31E225KA75D | 1 | 5/P | C105 |
| 106 | DO-16726001 | MVY16VC220MF80E0 | 1 | 5/P | C106 |
| 107 | DO-23230001 | 6SVP470M | 1 | 5/P | C107 |
| 109 | DO-23230001 | 6SVP470M | 1 | 5/P | C109 |
| 110 | DO-16829001 | MV10VC100MF60E0 | 1 | 5/P | C110 |
| 111 | DO-16829001 | MV10VC100MF60E0 | 1 | 5/P | C111 |
| 112 | DO-07622001 | GRM188B11E104KA01D | 1 | 5/P | C112 |
| 120 | DO-07622001 | GRM188B11E104KA01D | 1 | 5/P | C120 |
| 121 | DO-04102001 | GRM1882C1H101JA01D | 1 | 10/P | C121 |
| 122 | DO-07622001 | GRM188B11E104KA01D | 1 | 5/P | C122 |
| 123 | DO-16829001 | MV10VC100MF60E0 | 1 | 5/P | C123 |
| 124 | DO-07622001 | GRM188B11E104KA01D | 1 | 5/P | C124 |
| 125 | DO-07623001 | GRM188B10J105KA01D | 1 | 5/P | C125 |
| 126 | DO-07623001 | GRM188B10J105KA01D | 1 | 5/P | C126 |
| 127 | DO-16812001 | MV16VC10MD55E0 | 1 | 5/P | C127 |
| 128 | DO-07623001 | GRM188B10J105KA01D | 1 | 5/P | C128 |
| 129 | DO-07623001 | GRM188B10J105KA01D | 1 | 5/P | C129 |
| 130 | DO-04093001 | GRM1882C1H220JZ01D | 1 | 10/P | C130 |
| 131 | DO-04085001 | GRM1882C1H100JZ01D | 1 | 5/P | C131 |
| 132 | DO-07622001 | GRM188B11E104KA01D | 1 | 5/P | C132 |
| 133 | DO-07622001 | GRM188B11E104KA01D | 1 | 5/P | C133 |
| 134 | DO-07622001 | GRM188B11E104KA01D | 1 | 5/P | C134 |
| 135 | DO-07622001 | GRM188B11E104KA01D | 1 | 5/P | C135 |
| 136 | DO-07622001 | GRM188B11E104KA01D | 1 | 5/P | C136 |
| 137 | DO-07622001 | GRM188B11E104KA01D | 1 | 5/P | C137 |
| 138 | DO-07622001 | GRM188B11E104KA01D | 1 | 5/P | C138 |
| 139 | DO-07622001 | GRM188B11E104KA01D | 1 | 5/P | C139 |
| 140 | DO-07623001 | GRM188B10J105KA01D | 1 | 5/P | C140 |
| 141 | DO-09434001 | GRM188B11E683KA01D | 1 | 5/P | C141 |
| 142 | DO-07623001 | GRM188B10J105KA01D | 1 | 5/P | C142 |
| 143 | DO-04101001 | GRM188B11H102KA01D | 1 | 10/P | C143 |
| 144 | DO-09434001 | GRM188B11E683KA01D | 1 | 5/P | C144 |
| 145 | DO-07622001 | GRM188B11E104KA01D | 1 | 5/P | C145 |
| 146 | DO-04101001 | GRM188B11H102KA01D | 1 | 10/P | C146 |
| 147 | DO-07622001 | GRM188B11E104KA01D | 1 | 5/P | C147 |
| 148 | DO-07622001 | GRM188B11E104KA01D | 1 | 5/P | C148 |
| 149 | DO-07622001 | GRM188B11E104KA01D | 1 | 5/P | C149 |
| 150 | DO-07622001 | GRM188B11E104KA01D | 1 | 5/P | C150 |
| 151 | DO-07622001 | GRM188B11E104KA01D | 1 | 5/P | C151 |
| 152 | DO-07622001 | GRM188B11E104KA01D | 1 | 5/P | C152 |
| 153 | DO-07622001 | GRM188B11E104KA01D | 1 | 5/P | C153 |
| 154 | DO-07622001 | GRM188B11E104KA01D | 1 | 5/P | C154 |
| 155 | DO-07622001 | GRM188B11E104KA01D | 1 | 5/P | C155 |

| | | | | | |
|-----|-------------|--------------------|---|------|------|
| 313 | DO-04102001 | GRM1882C1H101JA01D | 1 | 10/P | C313 |
| 315 | DO-18689001 | GRM155B11A104KA01D | 1 | 5/P | C315 |
| 316 | DO-18689001 | GRM155B11A104KA01D | 1 | 5/P | C316 |
| 317 | DO-07622001 | GRM188B11E104KA01D | 1 | 5/P | C317 |
| 318 | DO-07622001 | GRM188B11E104KA01D | 1 | 5/P | C318 |
| 319 | DO-05723001 | GRM21BF11C105ZA01L | 1 | 10/P | C319 |
| 320 | DO-07622001 | GRM188B11E104KA01D | 1 | 5/P | C320 |
| 321 | DO-07622001 | GRM188B11E104KA01D | 1 | 5/P | C321 |
| 322 | DO-18689001 | GRM155B11A104KA01D | 1 | 5/P | C322 |
| 323 | DO-07623001 | GRM188B10J105KA01D | 1 | 5/P | C323 |
| 324 | DO-18689001 | GRM155B11A104KA01D | 1 | 5/P | C324 |
| 325 | DO-07623001 | GRM188B10J105KA01D | 1 | 5/P | C325 |
| 326 | DO-04102001 | GRM1882C1H101JA01D | 1 | 10/P | C326 |
| 327 | DO-04102001 | GRM1882C1H101JA01D | 1 | 10/P | C327 |
| 328 | DO-17421001 | GRM219B31E225KA75D | 1 | 5/P | C328 |
| 329 | DO-18677001 | GRM1552C1H4ROCZ01D | 1 | 5/P | C329 |
| 330 | DO-04090001 | GRM1882C1H471JA01D | 1 | 10/P | C330 |
| 331 | DO-07490001 | GRM1882C1H271JA01D | 1 | 10/P | C331 |
| 332 | DO-18689001 | GRM155B11A104KA01D | 1 | 5/P | C332 |
| 333 | DO-04102001 | GRM1882C1H101JA01D | 1 | 10/P | C333 |
| 334 | DO-07623001 | GRM188B10J105KA01D | 1 | 5/P | C334 |
| 335 | DO-18689001 | GRM155B11A104KA01D | 1 | 5/P | C335 |
| 336 | DO-07623001 | GRM188B10J105KA01D | 1 | 5/P | C336 |
| 337 | DO-18689001 | GRM155B11A104KA01D | 1 | 5/P | C337 |
| 338 | DO-07622001 | GRM188B11E104KA01D | 1 | 5/P | C338 |
| 339 | DO-07622001 | GRM188B11E104KA01D | 1 | 5/P | C339 |
| 340 | DO-07622001 | GRM188B11E104KA01D | 1 | 5/P | C340 |
| 341 | DO-07622001 | GRM188B11E104KA01D | 1 | 5/P | C341 |
| 342 | DO-18689001 | GRM155B11A104KA01D | 1 | 5/P | C342 |
| 343 | DO-04093001 | GRM1882C1H220JZ01D | 1 | 10/P | C343 |
| 344 | DO-04093001 | GRM1882C1H220JZ01D | 1 | 10/P | C344 |
| 345 | DO-04093001 | GRM1882C1H220JZ01D | 1 | 10/P | C345 |
| 346 | DO-04093001 | GRM1882C1H220JZ01D | 1 | 10/P | C346 |
| 347 | DO-04093001 | GRM1882C1H220JZ01D | 1 | 10/P | C347 |
| 348 | DO-04093001 | GRM1882C1H220JZ01D | 1 | 10/P | C348 |
| 349 | DO-04093001 | GRM1882C1H220JZ01D | 1 | 10/P | C349 |
| 350 | DO-18689001 | GRM155B11A104KA01D | 1 | 5/P | C350 |
| 351 | DO-18689001 | GRM155B11A104KA01D | 1 | 5/P | C351 |
| 352 | DO-18689001 | GRM155B11A104KA01D | 1 | 5/P | C352 |
| 353 | DO-07622001 | GRM188B11E104KA01D | 1 | 5/P | C353 |
| 354 | DO-04101001 | GRM188B11H102KA01D | 1 | 10/P | C354 |
| 355 | DO-07632001 | GRM21BF11A475ZA01L | 1 | 1/S | C355 |
| 356 | DO-07623001 | GRM188B10J105KA01D | 1 | 5/P | C356 |
| 357 | DO-07632001 | GRM21BF11A475ZA01L | 1 | 1/S | C357 |
| 358 | DO-07622001 | GRM188B11E104KA01D | 1 | 5/P | C358 |
| 359 | DO-07623001 | GRM188B10J105KA01D | 1 | 5/P | C359 |
| 360 | DO-07622001 | GRM188B11E104KA01D | 1 | 5/P | C360 |
| 361 | DO-07632001 | GRM21BF11A475ZA01L | 1 | 1/S | C361 |
| 362 | DO-07601001 | GRM188B11A224KA01D | 1 | 10/P | C362 |
| 363 | DO-07632001 | GRM21BF11A475ZA01L | 1 | 1/S | C363 |
| 364 | DO-04092001 | GRM188B11H222KA01D | 1 | 10/P | C364 |
| 365 | DO-07632001 | GRM21BF11A475ZA01L | 1 | 1/S | C365 |
| 366 | DO-18689001 | GRM155B11A104KA01D | 1 | 5/P | C366 |
| 367 | DO-18689001 | GRM155B11A104KA01D | 1 | 5/P | C367 |
| 368 | DO-18689001 | GRM155B11A104KA01D | 1 | 5/P | C368 |
| 369 | DO-07623001 | GRM188B10J105KA01D | 1 | 5/P | C369 |
| 370 | DO-18689001 | GRM155B11A104KA01D | 1 | 5/P | C370 |
| 371 | DO-18689001 | GRM155B11A104KA01D | 1 | 5/P | C371 |
| 372 | DO-17421001 | GRM219B31E225KA75D | 1 | 5/P | C372 |
| 373 | DO-18689001 | GRM155B11A104KA01D | 1 | 5/P | C373 |
| 374 | DO-07622001 | GRM188B11E104KA01D | 1 | 5/P | C374 |
| 375 | DO-18677001 | GRM1552C1H4ROCZ01D | 1 | 5/P | C375 |
| 376 | DO-04090001 | GRM1882C1H471JA01D | 1 | 10/P | C376 |
| 377 | DO-07490001 | GRM1882C1H271JA01D | 1 | 10/P | C377 |
| 378 | DO-07623001 | GRM188B10J105KA01D | 1 | 5/P | C378 |
| 379 | DO-07623001 | GRM188B10J105KA01D | 1 | 5/P | C379 |
| 380 | DO-07623001 | GRM188B10J105KA01D | 1 | 5/P | C380 |
| 381 | DO-07623001 | GRM188B10J105KA01D | 1 | 5/P | C381 |
| 382 | DO-07623001 | GRM188B10J105KA01D | 1 | 5/P | C382 |
| 383 | DO-07623001 | GRM188B10J105KA01D | 1 | 5/P | C383 |
| 384 | DO-15696001 | GRM21BB10J106KE01L | 1 | 5/P | C384 |
| 385 | DO-15696001 | GRM21BB10J106KE01L | 1 | 5/P | C385 |
| 386 | DO-15696001 | GRM21BB10J106KE01L | 1 | 5/P | C386 |

| | | | | | |
|-----|-------------|--------------------|---|-----|------|
| 387 | DO-15696001 | GRM21BB10J106KE01L | 1 | 5/P | C387 |
| 388 | DO-07623001 | GRM188B10J105KA01D | 1 | 5/P | C388 |
| 389 | DO-07623001 | GRM188B10J105KA01D | 1 | 5/P | C389 |
| 390 | DO-07623001 | GRM188B10J105KA01D | 1 | 5/P | C390 |
| 391 | DO-07623001 | GRM188B10J105KA01D | 1 | 5/P | C391 |
| 392 | DO-07623001 | GRM188B10J105KA01D | 1 | 5/P | C392 |
| 393 | DO-07623001 | GRM188B10J105KA01D | 1 | 5/P | C393 |
| 394 | DO-07623001 | GRM188B10J105KA01D | 1 | 5/P | C394 |
| 395 | DO-18689001 | GRM155B11A104KA01D | 1 | 5/P | C395 |
| 396 | DO-07623001 | GRM188B10J105KA01D | 1 | 5/P | C396 |
| 397 | DO-15696001 | GRM21BB10J106KE01L | 1 | 5/P | C397 |
| 398 | DO-07623001 | GRM188B10J105KA01D | 1 | 5/P | C398 |
| 399 | DO-07623001 | GRM188B10J105KA01D | 1 | 5/P | C399 |
| 400 | DO-07623001 | GRM188B10J105KA01D | 1 | 5/P | C400 |
| 401 | DO-07623001 | GRM188B10J105KA01D | 1 | 5/P | C401 |
| 402 | DO-07623001 | GRM188B10J105KA01D | 1 | 5/P | C402 |
| 403 | DO-07623001 | GRM188B10J105KA01D | 1 | 5/P | C403 |
| 404 | DO-18689001 | GRM155B11A104KA01D | 1 | 5/P | C404 |
| 405 | DO-07623001 | GRM188B10J105KA01D | 1 | 5/P | C405 |
| 406 | DO-07623001 | GRM188B10J105KA01D | 1 | 5/P | C406 |
| 407 | DO-07623001 | GRM188B10J105KA01D | 1 | 5/P | C407 |
| 408 | DO-07623001 | GRM188B10J105KA01D | 1 | 5/P | C408 |
| 409 | DO-07623001 | GRM188B10J105KA01D | 1 | 5/P | C409 |
| 410 | DO-15696001 | GRM21BB10J106KE01L | 1 | 5/P | C410 |
| 411 | DO-15696001 | GRM21BB10J106KE01L | 1 | 5/P | C411 |
| 412 | DO-15696001 | GRM21BB10J106KE01L | 1 | 5/P | C412 |
| 413 | DO-15696001 | GRM21BB10J106KE01L | 1 | 5/P | C413 |
| 416 | DO-18693001 | GRM155B11H102KA01D | 1 | 5/P | C416 |
| 417 | DO-18693001 | GRM155B11H102KA01D | 1 | 5/P | C417 |
| 418 | DO-18689001 | GRM155B11A104KA01D | 1 | 5/P | C418 |
| 419 | DO-18698001 | GRM155B11E103KA01D | 1 | 5/P | C419 |
| 420 | DO-18689001 | GRM155B11A104KA01D | 1 | 5/P | C420 |
| 421 | DO-18698001 | GRM155B11E103KA01D | 1 | 5/P | C421 |
| 422 | DO-15696001 | GRM21BB10J106KE01L | 1 | 5/P | C422 |
| 423 | DO-15696001 | GRM21BB10J106KE01L | 1 | 5/P | C423 |
| 424 | DO-15696001 | GRM21BB10J106KE01L | 1 | 5/P | C424 |
| 425 | DO-15696001 | GRM21BB10J106KE01L | 1 | 5/P | C425 |
| 426 | DO-15696001 | GRM21BB10J106KE01L | 1 | 5/P | C426 |
| 427 | DO-18689001 | GRM155B11A104KA01D | 1 | 5/P | C427 |
| 428 | DO-18698001 | GRM155B11E103KA01D | 1 | 5/P | C428 |
| 429 | DO-18689001 | GRM155B11A104KA01D | 1 | 5/P | C429 |
| 430 | DO-18689001 | GRM155B11A104KA01D | 1 | 5/P | C430 |
| 431 | DO-18689001 | GRM155B11A104KA01D | 1 | 5/P | C431 |
| 432 | DO-18689001 | GRM155B11A104KA01D | 1 | 5/P | C432 |
| 433 | DO-15696001 | GRM21BB10J106KE01L | 1 | 5/P | C433 |
| 434 | DO-18689001 | GRM155B11A104KA01D | 1 | 5/P | C434 |
| 435 | DO-15696001 | GRM21BB10J106KE01L | 1 | 5/P | C435 |
| 436 | DO-18689001 | GRM155B11A104KA01D | 1 | 5/P | C436 |
| 437 | DO-18693001 | GRM155B11H102KA01D | 1 | 5/P | C437 |
| 438 | DO-18689001 | GRM155B11A104KA01D | 1 | 5/P | C438 |
| 439 | DO-18689001 | GRM155B11A104KA01D | 1 | 5/P | C439 |
| 440 | DO-18698001 | GRM155B11E103KA01D | 1 | 5/P | C440 |
| 441 | DO-18698001 | GRM155B11E103KA01D | 1 | 5/P | C441 |
| 443 | DO-18689001 | GRM155B11A104KA01D | 1 | 5/P | C443 |
| 444 | DO-18693001 | GRM155B11H102KA01D | 1 | 5/P | C444 |
| 445 | DO-18698001 | GRM155B11E103KA01D | 1 | 5/P | C445 |
| 446 | DO-18689001 | GRM155B11A104KA01D | 1 | 5/P | C446 |
| 447 | DO-18698001 | GRM155B11E103KA01D | 1 | 5/P | C447 |
| 448 | DO-18693001 | GRM155B11H102KA01D | 1 | 5/P | C448 |
| 449 | DO-15696001 | GRM21BB10J106KE01L | 1 | 5/P | C449 |
| 450 | DO-18693001 | GRM155B11H102KA01D | 1 | 5/P | C450 |
| 451 | DO-18689001 | GRM155B11A104KA01D | 1 | 5/P | C451 |
| 452 | DO-18698001 | GRM155B11E103KA01D | 1 | 5/P | C452 |
| 453 | DO-18689001 | GRM155B11A104KA01D | 1 | 5/P | C453 |
| 454 | DO-18693001 | GRM155B11H102KA01D | 1 | 5/P | C454 |
| 455 | DO-18689001 | GRM155B11A104KA01D | 1 | 5/P | C455 |
| 456 | DO-18689001 | GRM155B11A104KA01D | 1 | 5/P | C456 |
| 457 | DO-18693001 | GRM155B11H102KA01D | 1 | 5/P | C457 |
| 458 | DO-18689001 | GRM155B11A104KA01D | 1 | 5/P | C458 |
| 460 | DO-18689001 | GRM155B11A104KA01D | 1 | 5/P | C460 |
| 461 | DO-18689001 | GRM155B11A104KA01D | 1 | 5/P | C461 |
| 462 | DO-15696001 | GRM21BB10J106KE01L | 1 | 5/P | C462 |
| 463 | DO-18689001 | GRM155B11A104KA01D | 1 | 5/P | C463 |

| | | | | | |
|-----|-------------|--------------------|---|------|------|
| 464 | DO-18689001 | GRM155B11A104KA01D | 1 | 5/P | C464 |
| 465 | DO-18698001 | GRM155B11E103KA01D | 1 | 5/P | C465 |
| 466 | DO-18689001 | GRM155B11A104KA01D | 1 | 5/P | C466 |
| 467 | DO-18689001 | GRM155B11A104KA01D | 1 | 5/P | C467 |
| 468 | DO-15696001 | GRM21BB10J106KE01L | 1 | 5/P | C468 |
| 469 | DO-15696001 | GRM21BB10J106KE01L | 1 | 5/P | C469 |
| 470 | DO-15696001 | GRM21BB10J106KE01L | 1 | 5/P | C470 |
| 471 | DO-15696001 | GRM21BB10J106KE01L | 1 | 5/P | C471 |
| 472 | DO-18689001 | GRM155B11A104KA01D | 1 | 5/P | C472 |
| 473 | DO-18698001 | GRM155B11E103KA01D | 1 | 5/P | C473 |
| 474 | DO-18693001 | GRM155B11H102KA01D | 1 | 5/P | C474 |
| 475 | DO-18698001 | GRM155B11E103KA01D | 1 | 5/P | C475 |
| 476 | DO-18693001 | GRM155B11H102KA01D | 1 | 5/P | C476 |
| 477 | DO-04093001 | GRM1882C1H220JZ01D | 1 | 10/P | C477 |
| 478 | DO-04101001 | GRM188B11H102KA01D | 1 | 10/P | C478 |
| 479 | DO-07622001 | GRM188B11E104KA01D | 1 | 5/P | C479 |
| 480 | DO-07622001 | GRM188B11E104KA01D | 1 | 5/P | C480 |
| 481 | DO-07622001 | GRM188B11E104KA01D | 1 | 5/P | C481 |
| 482 | DO-04093001 | GRM1882C1H220JZ01D | 1 | 10/P | C482 |
| 483 | DO-04085001 | GRM1882C1H100JZ01D | 1 | 5/P | C483 |
| 484 | DO-18689001 | GRM155B11A104KA01D | 1 | 5/P | C484 |
| 485 | DO-18689001 | GRM155B11A104KA01D | 1 | 5/P | C485 |
| 486 | DO-18689001 | GRM155B11A104KA01D | 1 | 5/P | C486 |
| 487 | DO-18689001 | GRM155B11A104KA01D | 1 | 5/P | C487 |
| 488 | DO-18689001 | GRM155B11A104KA01D | 1 | 5/P | C488 |
| 489 | DO-18689001 | GRM155B11A104KA01D | 1 | 5/P | C489 |
| 490 | DO-18689001 | GRM155B11A104KA01D | 1 | 5/P | C490 |
| 491 | DO-18689001 | GRM155B11A104KA01D | 1 | 5/P | C491 |
| 492 | DO-18689001 | GRM155B11A104KA01D | 1 | 5/P | C492 |
| 493 | DO-18689001 | GRM155B11A104KA01D | 1 | 5/P | C493 |
| 494 | DO-18689001 | GRM155B11A104KA01D | 1 | 5/P | C494 |
| 495 | DO-18689001 | GRM155B11A104KA01D | 1 | 5/P | C495 |
| 496 | DO-18689001 | GRM155B11A104KA01D | 1 | 5/P | C496 |
| 497 | DO-18689001 | GRM155B11A104KA01D | 1 | 5/P | C497 |
| 504 | DO-18689001 | GRM155B11A104KA01D | 1 | 5/P | C504 |
| 505 | DO-18698001 | GRM155B11E103KA01D | 1 | 5/P | C505 |
| 506 | DO-18689001 | GRM155B11A104KA01D | 1 | 5/P | C506 |
| 507 | DO-18689001 | GRM155B11A104KA01D | 1 | 5/P | C507 |
| 508 | DO-18689001 | GRM155B11A104KA01D | 1 | 5/P | C508 |
| 509 | DO-04093001 | GRM1882C1H220JZ01D | 1 | 10/P | C509 |
| 510 | DO-04093001 | GRM1882C1H220JZ01D | 1 | 10/P | C510 |
| 511 | DO-18689001 | GRM155B11A104KA01D | 1 | 5/P | C511 |
| 512 | DO-18689001 | GRM155B11A104KA01D | 1 | 5/P | C512 |
| 513 | DO-07622001 | GRM188B11E104KA01D | 1 | 5/P | C513 |
| 515 | DO-18689001 | GRM155B11A104KA01D | 1 | 5/P | C515 |
| 518 | DO-18693001 | GRM155B11H102KA01D | 1 | 5/P | C518 |
| 520 | DO-18689001 | GRM155B11A104KA01D | 1 | 5/P | C520 |
| 527 | DO-07623001 | GRM188B10J105KA01D | 1 | 5/P | C527 |
| 528 | DO-07623001 | GRM188B10J105KA01D | 1 | 5/P | C528 |
| 537 | DO-18689001 | GRM155B11A104KA01D | 1 | 5/P | C537 |
| 540 | DO-18693001 | GRM155B11H102KA01D | 1 | 5/P | C540 |
| 541 | DO-18689001 | GRM155B11A104KA01D | 1 | 5/P | C541 |
| 543 | DO-07622001 | GRM188B11E104KA01D | 1 | 5/P | C543 |
| 545 | DO-07622001 | GRM188B11E104KA01D | 1 | 5/P | C545 |
| 546 | DO-07622001 | GRM188B11E104KA01D | 1 | 5/P | C546 |
| 548 | DO-07622001 | GRM188B11E104KA01D | 1 | 5/P | C548 |
| 549 | DO-07622001 | GRM188B11E104KA01D | 1 | 5/P | C549 |
| 550 | DO-07622001 | GRM188B11E104KA01D | 1 | 5/P | C550 |
| 551 | DO-04100001 | GRM188B11H103KA01D | 1 | 10/P | C551 |
| 552 | DO-04100001 | GRM188B11H103KA01D | 1 | 10/P | C552 |
| 553 | DO-07622001 | GRM188B11E104KA01D | 1 | 5/P | C553 |
| 554 | DO-07623001 | GRM188B10J105KA01D | 1 | 5/P | C554 |
| 555 | DO-07623001 | GRM188B10J105KA01D | 1 | 5/P | C555 |
| 556 | DO-07623001 | GRM188B10J105KA01D | 1 | 5/P | C556 |
| 557 | DO-04101001 | GRM188B11H102KA01D | 1 | 10/P | C557 |
| 558 | DO-07622001 | GRM188B11E104KA01D | 1 | 5/P | C558 |
| 559 | DO-07622001 | GRM188B11E104KA01D | 1 | 5/P | C559 |
| 560 | DO-07622001 | GRM188B11E104KA01D | 1 | 5/P | C560 |
| 561 | DO-04091001 | GRM1882C1H330JZ01D | 1 | 10/P | C561 |
| 562 | DO-07622001 | GRM188B11E104KA01D | 1 | 5/P | C562 |
| 563 | DO-04101001 | GRM188B11H102KA01D | 1 | 10/P | C563 |
| 564 | DO-04091001 | GRM1882C1H330JZ01D | 1 | 10/P | C564 |
| 565 | DO-07622001 | GRM188B11E104KA01D | 1 | 5/P | C565 |

| Item No. | Parts No. | Parts Name | QTY/ Unit | QTY/ Pack | Part remarks | Catg. | Serial No. | P | I | R | BSI No. | Change | PC Board |
|----------|-------------|--------------|--------------|--------------|--------------|-------|------------|---|---|---|---------|--------|----------|
| 1 | D0-23895001 | MCR03EZPJ103 | 1 | 5/P | | | | | | | | | R1 |
| 2 | D0-23893001 | MCR03EZPJ102 | 1 | 5/P | | | | | | | | | R2 |
| 3 | D0-23893001 | MCR03EZPJ102 | 1 | 5/P | | | | | | | | | R3 |
| 4 | D0-23893001 | MCR03EZPJ102 | 1 | 5/P | | | | | | | | | R4 |
| 5 | D0-23914001 | MCR03EZPJ220 | 1 | 5/P | | | | | | | | | R5 |
| 6 | D0-23914001 | MCR03EZPJ220 | 1 | 5/P | | | | | | | | | R6 |
| 7 | D0-23914001 | MCR03EZPJ220 | 1 | 5/P | | | | | | | | | R7 |
| 8 | D0-23914001 | MCR03EZPJ220 | 1 | 5/P | | | | | | | | | R8 |
| 9 | D0-23914001 | MCR03EZPJ220 | 1 | 5/P | | | | | | | | | R9 |
| 10 | D0-23914001 | MCR03EZPJ220 | 1 | 5/P | | | | | | | | | R10 |
| 11 | D0-23914001 | MCR03EZPJ220 | 1 | 5/P | | | | | | | | | R11 |
| 12 | D0-23914001 | MCR03EZPJ220 | 1 | 5/P | | | | | | | | | R12 |
| 13 | D0-23914001 | MCR03EZPJ220 | 1 | 5/P | | | | | | | | | R13 |
| 14 | D0-23914001 | MCR03EZPJ220 | 1 | 5/P | | | | | | | | | R14 |
| 15 | D0-23914001 | MCR03EZPJ220 | 1 | 5/P | | | | | | | | | R15 |
| 16 | D0-23923001 | MCR03EZPJ332 | 1 | 5/P | | | | | | | | | R16 |
| 17 | D0-24553001 | MCR01MZPJ103 | 1 | 5/P | | | | | | | | | R17 |
| 18 | D0-23895001 | MCR03EZPJ103 | 1 | 5/P | | | | | | | | | R18 |
| 19 | D0-23895001 | MCR03EZPJ103 | 1 | 5/P | | | | | | | | | R19 |
| 20 | D0-23895001 | MCR03EZPJ103 | 1 | 5/P | | | | | | | | | R20 |
| 21 | D0-23895001 | MCR03EZPJ103 | 1 | 5/P | | | | | | | | | R21 |
| 22 | D0-23928001 | MCR03EZPJ472 | 1 | 5/P | | | | | | | | | R22 |
| 23 | D0-23895001 | MCR03EZPJ103 | 1 | 5/P | | | | | | | | | R23 |
| 24 | D0-23895001 | MCR03EZPJ103 | 1 | 5/P | | | | | | | | | R24 |
| 25 | D0-23895001 | MCR03EZPJ103 | 1 | 5/P | | | | | | | | | R25 |
| 26 | D0-23895001 | MCR03EZPJ103 | 1 | 5/P | | | | | | | | | R26 |
| 27 | D0-23923001 | MCR03EZPJ332 | 1 | 5/P | | | | | | | | | R27 |
| 28 | D0-23923001 | MCR03EZPJ332 | 1 | 5/P | | | | | | | | | R28 |
| 29 | D0-23923001 | MCR03EZPJ332 | 1 | 5/P | | | | | | | | | R29 |
| 30 | D0-23923001 | MCR03EZPJ332 | 1 | 5/P | | | | | | | | | R30 |
| 31 | D0-23923001 | MCR03EZPJ332 | 1 | 5/P | | | | | | | | | R31 |
| 32 | D0-23923001 | MCR03EZPJ332 | 1 | 5/P | | | | | | | | | R32 |
| 33 | D0-23923001 | MCR03EZPJ332 | 1 | 5/P | | | | | | | | | R33 |
| 34 | D0-23907001 | MCR03EZPJ152 | 1 | 5/P | | | | | | | | | R34 |
| 35 | D0-23907001 | MCR03EZPJ152 | 1 | 5/P | | | | | | | | | R35 |
| 36 | D0-23907001 | MCR03EZPJ152 | 1 | 5/P | | | | | | | | | R36 |
| 37 | D0-23907001 | MCR03EZPJ152 | 1 | 5/P | | | | | | | | | R37 |
| 38 | D0-23907001 | MCR03EZPJ152 | 1 | 5/P | | | | | | | | | R38 |
| 39 | D0-23907001 | MCR03EZPJ152 | 1 | 5/P | | | | | | | | | R39 |
| 40 | D0-23907001 | MCR03EZPJ152 | 1 | 5/P | | | | | | | | | R40 |
| 41 | D0-24566001 | MCR01MZPJ104 | 1 | 5/P | | | | | | | | | R41 |
| 42 | D0-24557001 | MCR01MZPJ472 | 1 | 5/P | | | | | | | | | R42 |
| 43 | D0-24566001 | MCR01MZPJ104 | 1 | 5/P | | | | | | | | | R43 |
| 44 | D0-24557001 | MCR01MZPJ472 | 1 | 5/P | | | | | | | | | R44 |
| 45 | D0-23928001 | MCR03EZPJ472 | 1 | 5/P | | | | | | | | | R45 |
| 46 | D0-23887001 | MCR03EZPJ000 | 1 | 5/P | | | | | | | | | R46 |
| 47 | D0-23887001 | MCR03EZPJ000 | 1 | 5/P | | | | | | | | | R47 |
| 48 | D0-23887001 | MCR03EZPJ000 | 1 | 5/P | | | | | | | | | R48 |
| 49 | D0-23887001 | MCR03EZPJ000 | 1 | 5/P | | | | | | | | | R49 |
| 50 | D0-23887001 | MCR03EZPJ000 | 1 | 5/P | | | | | | | | | R50 |
| 51 | D0-23887001 | MCR03EZPJ000 | 1 | 5/P | | | | | | | | | R51 |
| 52 | D0-23887001 | MCR03EZPJ000 | 1 | 5/P | | | | | | | | | R52 |
| 53 | D0-23887001 | MCR03EZPJ000 | 1 | 5/P | | | | | | | | | R53 |
| 54 | D0-23887001 | MCR03EZPJ000 | 1 | 5/P | | | | | | | | | R54 |
| 55 | D0-23887001 | MCR03EZPJ000 | 1 | 5/P | | | | | | | | | R55 |
| 56 | D0-23891001 | MCR03EZPJ101 | 1 | 5/P | | | | | | | | | R56 |
| 57 | D0-24544001 | MCR01MZPJ000 | 1 | 5/P | | | | | | | | | R57 |
| 58 | D0-23928001 | MCR03EZPJ472 | 1 | 5/P | | | | | | | | | R58 |
| 59 | D0-23928001 | MCR03EZPJ472 | 1 | 5/P | | | | | | | | | R59 |
| 60 | D0-23928001 | MCR03EZPJ472 | 1 | 5/P | | | | | | | | | R60 |
| 66 | D0-23928001 | MCR03EZPJ472 | 1 | 5/P | | | | | | | | | R66 |
| 67 | D0-23928001 | MCR03EZPJ472 | 1 | 5/P | | | | | | | | | R67 |
| 68 | D0-23928001 | MCR03EZPJ472 | 1 | 5/P | | | | | | | | | R68 |
| 69 | D0-23928001 | MCR03EZPJ472 | 1 | 5/P | | | | | | | | | R69 |
| 70 | D0-23928001 | MCR03EZPJ472 | 1 | 5/P | | | | | | | | | R70 |
| 71 | D0-23928001 | MCR03EZPJ472 | 1 | 5/P | | | | | | | | | R71 |

| | | | | | |
|-----|-------------|----------------|---|-----|------|
| 73 | DO-23928001 | MCR03EZPJ472 | 1 | 5/P | R73 |
| 74 | DO-23928001 | MCR03EZPJ472 | 1 | 5/P | R74 |
| 79 | DO-23928001 | MCR03EZPJ472 | 1 | 5/P | R79 |
| 81 | DO-23928001 | MCR03EZPJ472 | 1 | 5/P | R81 |
| 84 | DO-23928001 | MCR03EZPJ472 | 1 | 5/P | R84 |
| 85 | DO-23928001 | MCR03EZPJ472 | 1 | 5/P | R85 |
| 86 | DO-23928001 | MCR03EZPJ472 | 1 | 5/P | R86 |
| 89 | DO-23928001 | MCR03EZPJ472 | 1 | 5/P | R89 |
| 91 | DO-23928001 | MCR03EZPJ472 | 1 | 5/P | R91 |
| 92 | DO-24557001 | MCR01MZPJ472 | 1 | 5/P | R92 |
| 93 | DO-23928001 | MCR03EZPJ472 | 1 | 5/P | R93 |
| 94 | DO-23928001 | MCR03EZPJ472 | 1 | 5/P | R94 |
| 95 | DO-23928001 | MCR03EZPJ472 | 1 | 5/P | R95 |
| 96 | DO-23921001 | MCR03EZPJ330 | 1 | 5/P | R96 |
| 97 | DO-23921001 | MCR03EZPJ330 | 1 | 5/P | R97 |
| 98 | DO-23921001 | MCR03EZPJ330 | 1 | 5/P | R98 |
| 99 | DO-23928001 | MCR03EZPJ472 | 1 | 5/P | R99 |
| 102 | DO-23928001 | MCR03EZPJ472 | 1 | 5/P | R102 |
| 103 | DO-24564001 | MCR01MZPJ220 | 1 | 5/P | R103 |
| 104 | DO-24564001 | MCR01MZPJ220 | 1 | 5/P | R104 |
| 105 | DO-23928001 | MCR03EZPJ472 | 1 | 5/P | R105 |
| 107 | DO-23921001 | MCR03EZPJ330 | 1 | 5/P | R107 |
| 108 | DO-23921001 | MCR03EZPJ330 | 1 | 5/P | R108 |
| 109 | DO-23921001 | MCR03EZPJ330 | 1 | 5/P | R109 |
| 110 | DO-23921001 | MCR03EZPJ330 | 1 | 5/P | R110 |
| 111 | DO-23928001 | MCR03EZPJ472 | 1 | 5/P | R111 |
| 112 | DO-24564001 | MCR01MZPJ220 | 1 | 5/P | R112 |
| 113 | DO-24564001 | MCR01MZPJ220 | 1 | 5/P | R113 |
| 114 | DO-24564001 | MCR01MZPJ220 | 1 | 5/P | R114 |
| 115 | DO-24557001 | MCR01MZPJ472 | 1 | 5/P | R115 |
| 116 | DO-24564001 | MCR01MZPJ220 | 1 | 5/P | R116 |
| 117 | DO-24544001 | MCR01MZPJ000 | 1 | 5/P | R117 |
| 120 | DO-24553001 | MCR01MZPJ103 | 1 | 5/P | R120 |
| 121 | DO-24553001 | MCR01MZPJ103 | 1 | 5/P | R121 |
| 122 | DO-24553001 | MCR01MZPJ103 | 1 | 5/P | R122 |
| 123 | DO-24553001 | MCR01MZPJ103 | 1 | 5/P | R123 |
| 124 | DO-24553001 | MCR01MZPJ103 | 1 | 5/P | R124 |
| 125 | DO-24553001 | MCR01MZPJ103 | 1 | 5/P | R125 |
| 126 | DO-24553001 | MCR01MZPJ103 | 1 | 5/P | R126 |
| 127 | DO-24553001 | MCR01MZPJ103 | 1 | 5/P | R127 |
| 128 | DO-24553001 | MCR01MZPJ103 | 1 | 5/P | R128 |
| 129 | DO-24553001 | MCR01MZPJ103 | 1 | 5/P | R129 |
| 131 | DO-24553001 | MCR01MZPJ103 | 1 | 5/P | R131 |
| 134 | DO-24557001 | MCR01MZPJ472 | 1 | 5/P | R134 |
| 136 | DO-24564001 | MCR01MZPJ220 | 1 | 5/P | R136 |
| 137 | DO-24564001 | MCR01MZPJ220 | 1 | 5/P | R137 |
| 138 | DO-24553001 | MCR01MZPJ103 | 1 | 5/P | R138 |
| 139 | DO-24553001 | MCR01MZPJ103 | 1 | 5/P | R139 |
| 140 | DO-24553001 | MCR01MZPJ103 | 1 | 5/P | R140 |
| 141 | DO-24553001 | MCR01MZPJ103 | 1 | 5/P | R141 |
| 144 | DO-19606001 | MCR03EZPFX49R9 | 1 | 5/P | R144 |
| 145 | DO-19606001 | MCR03EZPFX49R9 | 1 | 5/P | R145 |
| 146 | DO-19606001 | MCR03EZPFX49R9 | 1 | 5/P | R146 |
| 147 | DO-19606001 | MCR03EZPFX49R9 | 1 | 5/P | R147 |
| 148 | DO-24564001 | MCR01MZPJ220 | 1 | 5/P | R148 |
| 149 | DO-24557001 | MCR01MZPJ472 | 1 | 5/P | R149 |
| 150 | DO-23891001 | MCR03EZPJ101 | 1 | 5/P | R150 |
| 151 | DO-23928001 | MCR03EZPJ472 | 1 | 5/P | R151 |
| 152 | DO-23928001 | MCR03EZPJ472 | 1 | 5/P | R152 |
| 153 | DO-23928001 | MCR03EZPJ472 | 1 | 5/P | R153 |
| 154 | DO-23928001 | MCR03EZPJ472 | 1 | 5/P | R154 |
| 155 | DO-23928001 | MCR03EZPJ472 | 1 | 5/P | R155 |
| 156 | DO-24557001 | MCR01MZPJ472 | 1 | 5/P | R156 |
| 157 | DO-24557001 | MCR01MZPJ472 | 1 | 5/P | R157 |
| 158 | DO-24557001 | MCR01MZPJ472 | 1 | 5/P | R158 |
| 166 | DO-23893001 | MCR03EZPJ102 | 1 | 5/P | R166 |
| 167 | DO-23895001 | MCR03EZPJ103 | 1 | 5/P | R167 |
| 168 | DO-23914001 | MCR03EZPJ220 | 1 | 5/P | R168 |
| 169 | DO-23914001 | MCR03EZPJ220 | 1 | 5/P | R169 |
| 170 | DO-23914001 | MCR03EZPJ220 | 1 | 5/P | R170 |
| 171 | DO-23914001 | MCR03EZPJ220 | 1 | 5/P | R171 |
| 179 | DO-23895001 | MCR03EZPJ103 | 1 | 5/P | R179 |
| 180 | DO-23887001 | MCR03EZPJ000 | 1 | 5/P | R180 |

| | | | | | |
|-----|-------------|--------------|---|-----|------|
| 181 | DO-23927001 | MCR03EZPJ471 | 1 | 5/P | R181 |
| 182 | DO-23921001 | MCR03EZPJ330 | 1 | 5/P | R182 |
| 183 | DO-23921001 | MCR03EZPJ330 | 1 | 5/P | R183 |
| 184 | DO-23921001 | MCR03EZPJ330 | 1 | 5/P | R184 |
| 185 | DO-23921001 | MCR03EZPJ330 | 1 | 5/P | R185 |
| 186 | DO-23895001 | MCR03EZPJ103 | 1 | 5/P | R186 |
| 187 | DO-23921001 | MCR03EZPJ330 | 1 | 5/P | R187 |
| 188 | DO-23895001 | MCR03EZPJ103 | 1 | 5/P | R188 |
| 189 | DO-23941001 | MCR03EZPJ820 | 1 | 5/P | R189 |
| 190 | DO-23914001 | MCR03EZPJ220 | 1 | 5/P | R190 |
| 191 | DO-23893001 | MCR03EZPJ102 | 1 | 5/P | R191 |
| 192 | DO-23941001 | MCR03EZPJ820 | 1 | 5/P | R192 |
| 193 | DO-23914001 | MCR03EZPJ220 | 1 | 5/P | R193 |
| 194 | DO-23914001 | MCR03EZPJ220 | 1 | 5/P | R194 |
| 195 | DO-23928001 | MCR03EZPJ472 | 1 | 5/P | R195 |
| 196 | DO-23941001 | MCR03EZPJ820 | 1 | 5/P | R196 |
| 203 | DO-23928001 | MCR03EZPJ472 | 1 | 5/P | R203 |
| 209 | DO-23887001 | MCR03EZPJ000 | 1 | 5/P | R209 |
| 210 | DO-23928001 | MCR03EZPJ472 | 1 | 5/P | R210 |
| 211 | DO-23928001 | MCR03EZPJ472 | 1 | 5/P | R211 |
| 212 | DO-23928001 | MCR03EZPJ472 | 1 | 5/P | R212 |
| 213 | DO-23928001 | MCR03EZPJ472 | 1 | 5/P | R213 |
| 214 | DO-23895001 | MCR03EZPJ103 | 1 | 5/P | R214 |
| 215 | DO-23895001 | MCR03EZPJ103 | 1 | 5/P | R215 |
| 216 | DO-23893001 | MCR03EZPJ102 | 1 | 5/P | R216 |
| 217 | DO-23895001 | MCR03EZPJ103 | 1 | 5/P | R217 |
| 218 | DO-23887001 | MCR03EZPJ000 | 1 | 5/P | R218 |
| 222 | DO-23928001 | MCR03EZPJ472 | 1 | 5/P | R222 |
| 223 | DO-23928001 | MCR03EZPJ472 | 1 | 5/P | R223 |
| 224 | DO-20206001 | MCR25JZHJ2R2 | 1 | 5/P | R224 |
| 225 | DO-20206001 | MCR25JZHJ2R2 | 1 | 5/P | R225 |
| 226 | DO-20206001 | MCR25JZHJ2R2 | 1 | 5/P | R226 |
| 227 | DO-20206001 | MCR25JZHJ2R2 | 1 | 5/P | R227 |
| 228 | DO-24721001 | MCR03EZPJ270 | 1 | 5/P | R228 |
| 229 | DO-24721001 | MCR03EZPJ270 | 1 | 5/P | R229 |
| 230 | DO-23907001 | MCR03EZPJ152 | 1 | 5/P | R230 |
| 231 | DO-23897001 | MCR03EZPJ104 | 1 | 5/P | R231 |
| 232 | DO-23897001 | MCR03EZPJ104 | 1 | 5/P | R232 |
| 233 | DO-23926001 | MCR03EZPJ470 | 1 | 5/P | R233 |
| 235 | DO-23895001 | MCR03EZPJ103 | 1 | 5/P | R235 |
| 236 | DO-23928001 | MCR03EZPJ472 | 1 | 5/P | R236 |
| 237 | DO-23891001 | MCR03EZPJ101 | 1 | 5/P | R237 |
| 238 | DO-23889001 | MCR03EZPJ100 | 1 | 5/P | R238 |
| 239 | DO-23928001 | MCR03EZPJ472 | 1 | 5/P | R239 |
| 241 | DO-23928001 | MCR03EZPJ472 | 1 | 5/P | R241 |
| 242 | DO-23895001 | MCR03EZPJ103 | 1 | 5/P | R242 |
| 243 | DO-23928001 | MCR03EZPJ472 | 1 | 5/P | R243 |
| 245 | DO-23895001 | MCR03EZPJ103 | 1 | 5/P | R245 |
| 246 | DO-23887001 | MCR03EZPJ000 | 1 | 5/P | R246 |
| 247 | DO-23928001 | MCR03EZPJ472 | 1 | 5/P | R247 |
| 248 | DO-23929001 | MCR03EZPJ473 | 1 | 5/P | R248 |
| 249 | DO-23895001 | MCR03EZPJ103 | 1 | 5/P | R249 |
| 250 | DO-23928001 | MCR03EZPJ472 | 1 | 5/P | R250 |
| 251 | DO-23928001 | MCR03EZPJ472 | 1 | 5/P | R251 |
| 252 | DO-23921001 | MCR03EZPJ330 | 1 | 5/P | R252 |
| 253 | DO-23926001 | MCR03EZPJ470 | 1 | 5/P | R253 |
| 254 | DO-23921001 | MCR03EZPJ330 | 1 | 5/P | R254 |
| 255 | DO-23914001 | MCR03EZPJ220 | 1 | 5/P | R255 |
| 256 | DO-23941001 | MCR03EZPJ820 | 1 | 5/P | R256 |
| 257 | DO-23914001 | MCR03EZPJ220 | 1 | 5/P | R257 |
| 258 | DO-23921001 | MCR03EZPJ330 | 1 | 5/P | R258 |
| 259 | DO-23928001 | MCR03EZPJ472 | 1 | 5/P | R259 |
| 260 | DO-23928001 | MCR03EZPJ472 | 1 | 5/P | R260 |
| 261 | DO-23928001 | MCR03EZPJ472 | 1 | 5/P | R261 |
| 262 | DO-23928001 | MCR03EZPJ472 | 1 | 5/P | R262 |
| 263 | DO-23907001 | MCR03EZPJ152 | 1 | 5/P | R263 |
| 264 | DO-23909001 | MCR03EZPJ153 | 1 | 5/P | R264 |
| 265 | DO-23909001 | MCR03EZPJ153 | 1 | 5/P | R265 |
| 266 | DO-23929001 | MCR03EZPJ473 | 1 | 5/P | R266 |
| 267 | DO-23928001 | MCR03EZPJ472 | 1 | 5/P | R267 |
| 268 | DO-23895001 | MCR03EZPJ103 | 1 | 5/P | R268 |
| 269 | DO-23895001 | MCR03EZPJ103 | 1 | 5/P | R269 |
| 270 | DO-23889001 | MCR03EZPJ100 | 1 | 5/P | R270 |

| | | | | | | | | | | |
|-----|-------------|--------------|---|-----|--|--|--|--|--|------|
| 381 | D0-24553001 | MCR01MZPJ103 | 1 | 5/P | | | | | | R381 |
| 382 | D0-24553001 | MCR01MZPJ103 | 1 | 5/P | | | | | | R382 |
| 384 | D0-24553001 | MCR01MZPJ103 | 1 | 5/P | | | | | | R384 |
| 385 | D0-24553001 | MCR01MZPJ103 | 1 | 5/P | | | | | | R385 |
| 386 | D0-24553001 | MCR01MZPJ103 | 1 | 5/P | | | | | | R386 |
| 387 | D0-24553001 | MCR01MZPJ103 | 1 | 5/P | | | | | | R387 |
| 388 | D0-24553001 | MCR01MZPJ103 | 1 | 5/P | | | | | | R388 |
| 389 | D0-24553001 | MCR01MZPJ103 | 1 | 5/P | | | | | | R389 |
| 390 | D0-24553001 | MCR01MZPJ103 | 1 | 5/P | | | | | | R390 |
| 391 | D0-24553001 | MCR01MZPJ103 | 1 | 5/P | | | | | | R391 |
| 392 | D0-24553001 | MCR01MZPJ103 | 1 | 5/P | | | | | | R392 |
| 394 | D0-24553001 | MCR01MZPJ103 | 1 | 5/P | | | | | | R394 |
| 395 | D0-24553001 | MCR01MZPJ103 | 1 | 5/P | | | | | | R395 |
| 396 | D0-24553001 | MCR01MZPJ103 | 1 | 5/P | | | | | | R396 |
| 397 | D0-24553001 | MCR01MZPJ103 | 1 | 5/P | | | | | | R397 |
| 398 | D0-24553001 | MCR01MZPJ103 | 1 | 5/P | | | | | | R398 |
| 399 | D0-24553001 | MCR01MZPJ103 | 1 | 5/P | | | | | | R399 |
| 401 | D0-24563001 | MCR01MZPJ101 | 1 | 5/P | | | | | | R401 |
| 402 | D0-23889001 | MCR03EZPJ100 | 1 | 5/P | | | | | | R402 |
| 404 | D0-23889001 | MCR03EZPJ100 | 1 | 5/P | | | | | | R404 |
| 405 | D0-25586001 | MCR03EZPJ300 | 1 | 5/P | | | | | | R405 |
| 406 | D0-25586001 | MCR03EZPJ300 | 1 | 5/P | | | | | | R406 |
| 407 | D0-24564001 | MCR01MZPJ220 | 1 | 5/P | | | | | | R407 |
| 408 | D0-24557001 | MCR01MZPJ472 | 1 | 5/P | | | | | | R408 |
| 409 | D0-24564001 | MCR01MZPJ220 | 1 | 5/P | | | | | | R409 |
| 410 | D0-24557001 | MCR01MZPJ472 | 1 | 5/P | | | | | | R410 |
| 411 | D0-23928001 | MCR03EZPJ472 | 1 | 5/P | | | | | | R411 |
| 412 | D0-23921001 | MCR03EZPJ330 | 1 | 5/P | | | | | | R412 |
| 413 | D0-23928001 | MCR03EZPJ472 | 1 | 5/P | | | | | | R413 |
| 414 | D0-23887001 | MCR03EZPJ000 | 1 | 5/P | | | | | | R414 |
| 415 | D0-23921001 | MCR03EZPJ330 | 1 | 5/P | | | | | | R415 |
| 416 | D0-23921001 | MCR03EZPJ330 | 1 | 5/P | | | | | | R416 |
| 417 | D0-25586001 | MCR03EZPJ300 | 1 | 5/P | | | | | | R417 |
| 418 | D0-24564001 | MCR01MZPJ220 | 1 | 5/P | | | | | | R418 |
| 419 | D0-23928001 | MCR03EZPJ472 | 1 | 5/P | | | | | | R419 |
| 420 | D0-23889001 | MCR03EZPJ100 | 1 | 5/P | | | | | | R420 |
| 421 | D0-23891001 | MCR03EZPJ101 | 1 | 5/P | | | | | | R421 |
| 423 | D0-23891001 | MCR03EZPJ101 | 1 | 5/P | | | | | | R423 |
| 424 | D0-23891001 | MCR03EZPJ101 | 1 | 5/P | | | | | | R424 |
| 425 | D0-23891001 | MCR03EZPJ101 | 1 | 5/P | | | | | | R425 |
| 429 | D0-23887001 | MCR03EZPJ000 | 1 | 5/P | | | | | | R429 |
| 431 | D0-24557001 | MCR01MZPJ472 | 1 | 5/P | | | | | | R431 |
| 432 | D0-23921001 | MCR03EZPJ330 | 1 | 5/P | | | | | | R432 |
| 434 | D0-23928001 | MCR03EZPJ472 | 1 | 5/P | | | | | | R434 |
| 435 | D0-23928001 | MCR03EZPJ472 | 1 | 5/P | | | | | | R435 |
| 437 | D0-23928001 | MCR03EZPJ472 | 1 | 5/P | | | | | | R437 |
| 438 | D0-23895001 | MCR03EZPJ103 | 1 | 5/P | | | | | | R438 |
| 439 | D0-23928001 | MCR03EZPJ472 | 1 | 5/P | | | | | | R439 |
| 441 | D0-23928001 | MCR03EZPJ472 | 1 | 5/P | | | | | | R441 |
| 442 | D0-23928001 | MCR03EZPJ472 | 1 | 5/P | | | | | | R442 |
| 446 | D0-23928001 | MCR03EZPJ472 | 1 | 5/P | | | | | | R446 |
| 447 | D0-23928001 | MCR03EZPJ472 | 1 | 5/P | | | | | | R447 |
| 450 | D0-23928001 | MCR03EZPJ472 | 1 | 5/P | | | | | | R450 |
| 451 | D0-23928001 | MCR03EZPJ472 | 1 | 5/P | | | | | | R451 |
| 452 | D0-23928001 | MCR03EZPJ472 | 1 | 5/P | | | | | | R452 |
| 453 | D0-23928001 | MCR03EZPJ472 | 1 | 5/P | | | | | | R453 |
| 457 | D0-23928001 | MCR03EZPJ472 | 1 | 5/P | | | | | | R457 |
| 458 | D0-23928001 | MCR03EZPJ472 | 1 | 5/P | | | | | | R458 |
| 459 | D0-23928001 | MCR03EZPJ472 | 1 | 5/P | | | | | | R459 |
| 461 | D0-23928001 | MCR03EZPJ472 | 1 | 5/P | | | | | | R461 |
| 466 | D0-23928001 | MCR03EZPJ472 | 1 | 5/P | | | | | | R466 |
| 468 | D0-24564001 | MCR01MZPJ220 | 1 | 5/P | | | | | | R468 |
| 470 | D0-24564001 | MCR01MZPJ220 | 1 | 5/P | | | | | | R470 |
| 471 | D0-24564001 | MCR01MZPJ220 | 1 | 5/P | | | | | | R471 |
| 472 | D0-23893001 | MCR03EZPJ102 | 1 | 5/P | | | | | | R472 |
| 473 | D0-23928001 | MCR03EZPJ472 | 1 | 5/P | | | | | | R473 |
| 474 | D0-24564001 | MCR01MZPJ220 | 1 | 5/P | | | | | | R474 |
| 475 | D0-23928001 | MCR03EZPJ472 | 1 | 5/P | | | | | | R475 |
| 476 | D0-24564001 | MCR01MZPJ220 | 1 | 5/P | | | | | | R476 |
| 478 | D0-23928001 | MCR03EZPJ472 | 1 | 5/P | | | | | | R478 |
| 479 | D0-23921001 | MCR03EZPJ330 | 1 | 5/P | | | | | | R479 |
| 486 | D0-25586001 | MCR03EZPJ300 | 1 | 5/P | | | | | | R486 |
| 487 | D0-25586001 | MCR03EZPJ300 | 1 | 5/P | | | | | | R487 |

| | | | | | | | | | | |
|-------|-------------|---------------|---|-----|--|--|--|--|--|------|
| 488 | D0-24557001 | MCR01MZPJ472 | 1 | 5/P | | | | | | R488 |
| 489 | D0-23928001 | MCR03EZPJ472 | 1 | 5/P | | | | | | R489 |
| 490 | D0-23928001 | MCR03EZPJ472 | 1 | 5/P | | | | | | R490 |
| 491 | D0-23891001 | MCR03EZPJ101 | 1 | 5/P | | | | | | R491 |
| 492 | D0-23891001 | MCR03EZPJ101 | 1 | 5/P | | | | | | R492 |
| 498 | D0-19637001 | MCR03EZPF6491 | 1 | 5/P | | | | | | R498 |
| 500 | D0-23927001 | MCR03EZPJ471 | 1 | 5/P | | | | | | R500 |
| 501 | D0-23927001 | MCR03EZPJ471 | 1 | 5/P | | | | | | R501 |
| 503 | D0-23928001 | MCR03EZPJ472 | 1 | 5/P | | | | | | R503 |
| 504 | D0-23914001 | MCR03EZPJ220 | 1 | 5/P | | | | | | R504 |
| 505 | D0-23895001 | MCR03EZPJ103 | 1 | 5/P | | | | | | R505 |
| 506 | D0-23914001 | MCR03EZPJ220 | 1 | 5/P | | | | | | R506 |
| 507 | D0-23914001 | MCR03EZPJ220 | 1 | 5/P | | | | | | R507 |
| 508 | D0-23895001 | MCR03EZPJ103 | 1 | 5/P | | | | | | R508 |
| 509 | D0-23895001 | MCR03EZPJ103 | 1 | 5/P | | | | | | R509 |
| 513 | D0-23928001 | MCR03EZPJ472 | 1 | 5/P | | | | | | R513 |
| 514 | D0-23928001 | MCR03EZPJ472 | 1 | 5/P | | | | | | R514 |
| 515 | D0-23928001 | MCR03EZPJ472 | 1 | 5/P | | | | | | R515 |
| 516 | D0-23897001 | MCR03EZPJ104 | 1 | 5/P | | | | | | R516 |
| 517 | D0-23897001 | MCR03EZPJ104 | 1 | 5/P | | | | | | R517 |
| 518 | D0-23893001 | MCR03EZPJ102 | 1 | 5/P | | | | | | R518 |
| 519 | D0-19579001 | MCR03EZPF3901 | 1 | 5/P | | | | | | R519 |
| 520 | D0-19579001 | MCR03EZPF3901 | 1 | 5/P | | | | | | R520 |
| 521 | D0-19453001 | MCR03EZPF1002 | 1 | 5/P | | | | | | R521 |
| 522 | D0-19597001 | MCR03EZPF4701 | 1 | 5/P | | | | | | R522 |
| 523 | D0-23909001 | MCR03EZPJ153 | 1 | 5/P | | | | | | R523 |
| 524 | D0-23909001 | MCR03EZPJ153 | 1 | 5/P | | | | | | R524 |
| 525 | D0-23909001 | MCR03EZPJ153 | 1 | 5/P | | | | | | R525 |
| 526 | D0-23909001 | MCR03EZPJ153 | 1 | 5/P | | | | | | R526 |
| 531 | D0-23895001 | MCR03EZPJ103 | 1 | 5/P | | | | | | R531 |
| 532 | D0-23893001 | MCR03EZPJ102 | 1 | 5/P | | | | | | R532 |
| 533 | D0-23893001 | MCR03EZPJ102 | 1 | 5/P | | | | | | R533 |
| 534 | D0-23893001 | MCR03EZPJ102 | 1 | 5/P | | | | | | R534 |
| 535 | D0-23895001 | MCR03EZPJ103 | 1 | 5/P | | | | | | R535 |
| 536 | D0-23893001 | MCR03EZPJ102 | 1 | 5/P | | | | | | R536 |
| 537 | D0-23895001 | MCR03EZPJ103 | 1 | 5/P | | | | | | R537 |
| 539 | D0-23921001 | MCR03EZPJ330 | 1 | 5/P | | | | | | R539 |
| 540 | D0-23928001 | MCR03EZPJ472 | 1 | 5/P | | | | | | R540 |
| 541 | D0-23909001 | MCR03EZPJ153 | 1 | 5/P | | | | | | R541 |
| 542 | D0-23909001 | MCR03EZPJ153 | 1 | 5/P | | | | | | R542 |
| 543 | D0-23921001 | MCR03EZPJ330 | 1 | 5/P | | | | | | R543 |
| 544 | D0-23921001 | MCR03EZPJ330 | 1 | 5/P | | | | | | R544 |
| 545 | D0-23895001 | MCR03EZPJ103 | 1 | 5/P | | | | | | R545 |
| 546 | D0-23928001 | MCR03EZPJ472 | 1 | 5/P | | | | | | R546 |
| 547 | D0-23887001 | MCR03EZPJ000 | 1 | 5/P | | | | | | R547 |
| 548 | D0-23928001 | MCR03EZPJ472 | 1 | 5/P | | | | | | R548 |
| 549 | D0-23887001 | MCR03EZPJ000 | 1 | 5/P | | | | | | R549 |
| 551 | D0-23928001 | MCR03EZPJ472 | 1 | 5/P | | | | | | R551 |
| 552 | D0-23928001 | MCR03EZPJ472 | 1 | 5/P | | | | | | R552 |
| 553 | D0-23928001 | MCR03EZPJ472 | 1 | 5/P | | | | | | R553 |
| 554 | D0-23887001 | MCR03EZPJ000 | 1 | 5/P | | | | | | R554 |
| 555 | D0-23889001 | MCR03EZPJ100 | 1 | 5/P | | | | | | R555 |
| 556 | D0-23895001 | MCR03EZPJ103 | 1 | 5/P | | | | | | R556 |
| 557 | D0-23895001 | MCR03EZPJ103 | 1 | 5/P | | | | | | R557 |
| 558 | D0-23914001 | MCR03EZPJ220 | 1 | 5/P | | | | | | R558 |
| 559 | D0-23895001 | MCR03EZPJ103 | 1 | 5/P | | | | | | R559 |
| 560 | D0-23895001 | MCR03EZPJ103 | 1 | 5/P | | | | | | R560 |
| 561 | D0-23895001 | MCR03EZPJ103 | 1 | 5/P | | | | | | R561 |
| 562 | D0-23895001 | MCR03EZPJ103 | 1 | 5/P | | | | | | R562 |
| 563 | D0-23895001 | MCR03EZPJ103 | 1 | 5/P | | | | | | R563 |
| 566 | D0-23921001 | MCR03EZPJ330 | 1 | 5/P | | | | | | R566 |
| 567 | D0-23921001 | MCR03EZPJ330 | 1 | 5/P | | | | | | R567 |
| 568 | D0-23921001 | MCR03EZPJ330 | 1 | 5/P | | | | | | R568 |
| 569 | D0-23921001 | MCR03EZPJ330 | 1 | 5/P | | | | | | R569 |
| 570 | D0-23895001 | MCR03EZPJ103 | 1 | 5/P | | | | | | R570 |
| 572 | D0-23921001 | MCR03EZPJ330 | 1 | 5/P | | | | | | R572 |
| 572-1 | D0-23921001 | MCR03EZPJ330 | 0 | 5/P | | | | | | R572 |
| 573 | D0-23921001 | MCR03EZPJ330 | 1 | 5/P | | | | | | R573 |
| 574 | D0-23921001 | MCR03EZPJ330 | 1 | 5/P | | | | | | R574 |
| 576 | D0-23895001 | MCR03EZPJ103 | 1 | 5/P | | | | | | R576 |
| 577 | D0-23887001 | MCR03EZPJ000 | 1 | 5/P | | | | | | R577 |
| 578 | D0-23889001 | MCR03EZPJ100 | 1 | 5/P | | | | | | R578 |
| 580 | D0-23895001 | MCR03EZPJ103 | 1 | 5/P | | | | | | R580 |

B - C G06F948 To: 572-1 From: 572

| | | | | | | | | | | | |
|-------|-------------|------------------------|---|-----|--|---|---|---|-----------|-----------|-------|
| 581 | DO-23914001 | MCR03EZPJ220 | 1 | 5/P | | | | | | R581 | |
| 582 | DO-23895001 | MCR03EZPJ103 | 1 | 5/P | | | | | | R582 | |
| 583 | DO-23921001 | MCR03EZPJ330 | 1 | 5/P | | | | | | R583 | |
| 584 | DO-23895001 | MCR03EZPJ103 | 1 | 5/P | | | | | | R584 | |
| 585 | DO-23895001 | MCR03EZPJ103 | 1 | 5/P | | | | | | R585 | |
| 586 | DO-23895001 | MCR03EZPJ103 | 1 | 5/P | | | | | | R586 | |
| 587 | DO-23889001 | MCR03EZPJ100 | 1 | 5/P | | | | | | R587 | |
| 588 | DO-19762001 | MCR10EZH20RO | 1 | 5/P | | | | | | R588 | |
| 589 | DO-19762001 | MCR10EZH20RO | 1 | 5/P | | | | | | R589 | |
| 590 | DO-19762001 | MCR10EZH20RO | 1 | 5/P | | | | | | R590 | |
| 591 | DO-19762001 | MCR10EZH20RO | 1 | 5/P | | | | | | R591 | |
| 592 | DO-23909001 | MCR03EZPJ153 | 1 | 5/P | | | | | | R592 | |
| 593 | DO-23909001 | MCR03EZPJ153 | 1 | 5/P | | | | | | R593 | |
| 594 | DO-23909001 | MCR03EZPJ153 | 1 | 5/P | | | | | | R594 | |
| 595 | DO-23909001 | MCR03EZPJ153 | 1 | 5/P | | | | | | R595 | |
| 596 | DO-23928001 | MCR03EZPJ472 | 1 | 5/P | | | | | | R596 | |
| 597 | DO-23928001 | MCR03EZPJ472 | 1 | 5/P | | | | | | R597 | |
| 598 | DO-23928001 | MCR03EZPJ472 | 1 | 5/P | | | | | | R598 | |
| 599 | DO-23928001 | MCR03EZPJ472 | 1 | 5/P | | | | | | R599 | |
| 602 | DO-23921001 | MCR03EZPJ330 | 1 | 5/P | | | | | | R602 | |
| 603 | DO-23921001 | MCR03EZPJ330 | 1 | 5/P | | | | | | R603 | |
| 604 | DO-23926001 | MCR03EZPJ470 | 1 | 5/P | | | | | | R604 | |
| 605 | DO-23926001 | MCR03EZPJ470 | 1 | 5/P | | | | | | R605 | |
| 606 | DO-23914001 | MCR03EZPJ220 | 1 | 5/P | | | | | | R606 | |
| 607 | DO-23926001 | MCR03EZPJ470 | 1 | 5/P | | | | | | R607 | |
| 608 | DO-23921001 | MCR03EZPJ330 | 1 | 5/P | | | | | | R608 | |
| 609 | DO-20206001 | MCR25JZHJ2R2 | 1 | 5/P | | | | | | R609 | |
| 610 | DO-23895001 | MCR03EZPJ103 | 1 | 5/P | | | | | | R610 | |
| 611 | DO-19453001 | MCR03EZPF1002 | 1 | 5/P | | | | | | R611 | |
| 612 | DO-23929001 | MCR03EZPJ473 | 1 | 5/P | | | | | | R612 | |
| 613 | DO-23893001 | MCR03EZPJ102 | 1 | 5/P | | | | | | R613 | |
| 614 | DO-19579001 | MCR03EZPF3901 | 1 | 5/P | | | | | | R614 | |
| 615 | DO-23928001 | MCR03EZPJ472 | 1 | 5/P | | | | | | R615 | |
| 617 | DO-23895001 | MCR03EZPJ103 | 1 | 5/P | | | | | | R617 | |
| 618 | DO-23893001 | MCR03EZPJ102 | 1 | 5/P | | | | | | R618 | |
| 619 | DO-23929001 | MCR03EZPJ473 | 1 | 5/P | | | | | | R619 | |
| 620 | DO-19597001 | MCR03EZPF4701 | 1 | 5/P | | | | | | R620 | |
| 621 | DO-19579001 | MCR03EZPF3901 | 1 | 5/P | | | | | | R621 | |
| 622 | DO-23895001 | MCR03EZPJ103 | 1 | 5/P | | | | | | R622 | |
| 623 | DO-23897001 | MCR03EZPJ104 | 1 | 5/P | | | | | | R623 | |
| 624 | DO-23897001 | MCR03EZPJ104 | 1 | 5/P | | | | | | R624 | |
| 625 | DO-23895001 | MCR03EZPJ103 | 1 | 5/P | | | | | | R625 | |
| 626 | DO-23895001 | MCR03EZPJ103 | 1 | 5/P | | | | | | R626 | |
| 627 | DO-23895001 | MCR03EZPJ103 | 1 | 5/P | | | | | | R627 | |
| 628 | DO-23895001 | MCR03EZPJ103 | 1 | 5/P | | | | | | R628 | |
| 629 | DO-23889001 | MCR03EZPJ100 | 1 | 5/P | | | | | | R629 | |
| 630 | DO-23928001 | MCR03EZPJ472 | 1 | 5/P | | | | | | R630 | |
| 631 | DO-23928001 | MCR03EZPJ472 | 1 | 5/P | | | | | | R631 | |
| 632 | DO-19762001 | MCR10EZH20RO | 1 | 5/P | | | | | | R632 | |
| 633 | DO-19762001 | MCR10EZH20RO | 1 | 5/P | | | | | | R633 | |
| 634 | DO-23929001 | MCR03EZPJ473 | 1 | 5/P | | | | | | R634 | |
| 635 | DO-19762001 | MCR10EZH20RO | 1 | 5/P | | | | | | R635 | |
| 636 | DO-19762001 | MCR10EZH20RO | 1 | 5/P | | | | | | R636 | |
| 637 | DO-19762001 | MCR10EZH20RO | 1 | 5/P | | | | | | R637 | |
| 638 | DO-19762001 | MCR10EZH20RO | 1 | 5/P | | | | | | R638 | |
| 639 | DO-23891001 | MCR03EZPJ101 | 1 | 5/P | | | | | | R639 | |
| 640 | DO-19762001 | MCR10EZH20RO | 1 | 5/P | | | | | | R640 | |
| 641 | DO-19762001 | MCR10EZH20RO | 1 | 5/P | | | | | | R641 | |
| 700 | DO-23891001 | MCR03EZPJ101 | 1 | 5/P | | | | | | R700 | |
| 801 | DO-23928001 | MCR03EZPJ472 | 1 | 5/P | | | | | | R801 | |
| 802 | DO-23895001 | MCR03EZPJ103 | 1 | 5/P | | | | | | R802 | |
| 803 | DO-20296001 | MCR50JZHJ101 | 1 | 5/P | | | | | | R803 | |
| 851 | EO-08391000 | HU5-20OPNA-S53TD20-FA | 1 | 5/P | | | | | | CN101 | |
| 852 | EO-08414000 | DHB-PB50-S13NN-FA | 1 | 5/P | | | | | | CN102 | |
| 853 | EO-06789000 | B4B-PH-K-S (LF) | 1 | 5/P | | | | | To: 853-1 | CN103 | |
| 853-1 | EO-09943000 | B4B-PH-K-S (LF)(SN) | 1 | 5/P | | C | E | J | G06A591 | From: 853 | CN103 |
| 854 | EO-06910000 | 3-292208-0 | 1 | 5/P | | | | | | | CN104 |
| 855 | EO-08774000 | 5390241-1 | 1 | 5/P | | | | | | | CN105 |
| 856 | EO-08026000 | HIF6A-34PA-1.27DSA(71) | 1 | 5/P | | | | | | | CN106 |
| 857 | EO-06856000 | 292132-7 | 1 | 5/P | | | | | | | CN107 |
| 858 | EO-08395000 | DHB-PA50-R131N-FA | 1 | 5/P | | | | | | | CN108 |

| Item No. | Parts No. | Parts Name | QTY/ Unit | QTY/ Pack | Part remarks | Catg. | Serial No. | P | I | R | BSI No. | Change | PC Board |
|----------|-------------|-------------------------|--------------|--------------|--------------|-------|------------|---|---|---|---------|--------|----------|
| 1 | EO-08740000 | IMSA-9202B-1-02Z013-PT1 | 1 | 5/P | | | | | | | | | J1 |
| 4 | EO-03359000 | IMSA-9206H-GF | 1 | 5/P | | | | | | | | | J4 |
| 21 | EO-08844000 | CR2450-HE4Y | 1 | 1/C | | | | | | | | | BT1 |
| 41 | DO-23246001 | GNM214B11C104MA01D | 1 | 5/P | | | | | | | | | CA1 |
| 42 | DO-23246001 | GNM214B11C104MA01D | 1 | 5/P | | | | | | | | | CA2 |
| 43 | DO-23246001 | GNM214B11C104MA01D | 1 | 5/P | | | | | | | | | CA3 |
| 44 | DO-23246001 | GNM214B11C104MA01D | 1 | 5/P | | | | | | | | | CA4 |
| 45 | DO-23246001 | GNM214B11C104MA01D | 1 | 5/P | | | | | | | | | CA5 |
| 46 | DO-23246001 | GNM214B11C104MA01D | 1 | 5/P | | | | | | | | | CA6 |
| 47 | DO-23246001 | GNM214B11C104MA01D | 1 | 5/P | | | | | | | | | CA7 |
| 48 | DO-23246001 | GNM214B11C104MA01D | 1 | 5/P | | | | | | | | | CA8 |
| 49 | DO-23246001 | GNM214B11C104MA01D | 1 | 5/P | | | | | | | | | CA9 |
| 50 | DO-23246001 | GNM214B11C104MA01D | 1 | 5/P | | | | | | | | | CA10 |
| 51 | DO-23246001 | GNM214B11C104MA01D | 1 | 5/P | | | | | | | | | CA11 |
| 52 | DO-23246001 | GNM214B11C104MA01D | 1 | 5/P | | | | | | | | | CA12 |
| 53 | DO-23246001 | GNM214B11C104MA01D | 1 | 5/P | | | | | | | | | CA13 |
| 54 | DO-23246001 | GNM214B11C104MA01D | 1 | 5/P | | | | | | | | | CA14 |
| 55 | DO-23246001 | GNM214B11C104MA01D | 1 | 5/P | | | | | | | | | CA15 |
| 56 | DO-23246001 | GNM214B11C104MA01D | 1 | 5/P | | | | | | | | | CA16 |
| 57 | DO-23246001 | GNM214B11C104MA01D | 1 | 5/P | | | | | | | | | CA17 |
| 58 | DO-23246001 | GNM214B11C104MA01D | 1 | 5/P | | | | | | | | | CA18 |
| 59 | DO-23246001 | GNM214B11C104MA01D | 1 | 5/P | | | | | | | | | CA19 |
| 60 | DO-23246001 | GNM214B11C104MA01D | 1 | 5/P | | | | | | | | | CA20 |
| 61 | DO-23246001 | GNM214B11C104MA01D | 1 | 5/P | | | | | | | | | CA21 |
| 62 | DO-23246001 | GNM214B11C104MA01D | 1 | 5/P | | | | | | | | | CA22 |
| 63 | DO-23246001 | GNM214B11C104MA01D | 1 | 5/P | | | | | | | | | CA23 |
| 64 | DO-23246001 | GNM214B11C104MA01D | 1 | 5/P | | | | | | | | | CA24 |
| 65 | DO-23246001 | GNM214B11C104MA01D | 1 | 5/P | | | | | | | | | CA25 |
| 66 | DO-23246001 | GNM214B11C104MA01D | 1 | 5/P | | | | | | | | | CA26 |
| 67 | DO-23246001 | GNM214B11C104MA01D | 1 | 5/P | | | | | | | | | CA27 |
| 68 | DO-23246001 | GNM214B11C104MA01D | 1 | 5/P | | | | | | | | | CA28 |
| 341 | DO-23246001 | GNM214B11C104MA01D | 1 | 5/P | | | | | | | | | CA301 |
| 342 | DO-23246001 | GNM214B11C104MA01D | 1 | 5/P | | | | | | | | | CA302 |
| 343 | DO-23246001 | GNM214B11C104MA01D | 1 | 5/P | | | | | | | | | CA303 |
| 344 | DO-23246001 | GNM214B11C104MA01D | 1 | 5/P | | | | | | | | | CA304 |
| 345 | DO-23246001 | GNM214B11C104MA01D | 1 | 5/P | | | | | | | | | CA305 |
| 346 | DO-23246001 | GNM214B11C104MA01D | 1 | 5/P | | | | | | | | | CA306 |
| 347 | DO-23246001 | GNM214B11C104MA01D | 1 | 5/P | | | | | | | | | CA307 |
| 348 | DO-23246001 | GNM214B11C104MA01D | 1 | 5/P | | | | | | | | | CA308 |
| 349 | DO-23246001 | GNM214B11C104MA01D | 1 | 5/P | | | | | | | | | CA309 |
| 350 | DO-23246001 | GNM214B11C104MA01D | 1 | 5/P | | | | | | | | | CA310 |
| 351 | DO-23246001 | GNM214B11C104MA01D | 1 | 5/P | | | | | | | | | CA311 |
| 352 | DO-23246001 | GNM214B11C104MA01D | 1 | 5/P | | | | | | | | | CA312 |
| 353 | DO-23246001 | GNM214B11C104MA01D | 1 | 5/P | | | | | | | | | CA313 |
| 354 | DO-23246001 | GNM214B11C104MA01D | 1 | 5/P | | | | | | | | | CA314 |
| 355 | DO-23246001 | GNM214B11C104MA01D | 1 | 5/P | | | | | | | | | CA315 |
| 356 | DO-23246001 | GNM214B11C104MA01D | 1 | 5/P | | | | | | | | | CA316 |
| 357 | DO-23246001 | GNM214B11C104MA01D | 1 | 5/P | | | | | | | | | CA317 |
| 358 | DO-23246001 | GNM214B11C104MA01D | 1 | 5/P | | | | | | | | | CA318 |
| 359 | DO-23246001 | GNM214B11C104MA01D | 1 | 5/P | | | | | | | | | CA319 |
| 360 | DO-23246001 | GNM214B11C104MA01D | 1 | 5/P | | | | | | | | | CA320 |
| 361 | DO-23246001 | GNM214B11C104MA01D | 1 | 5/P | | | | | | | | | CA321 |
| 401 | DO-07755001 | BLM18PG600SN1D | 1 | 1/P | | | | | | | | | FB1 |
| 402 | DO-07755001 | BLM18PG600SN1D | 1 | 1/P | | | | | | | | | FB2 |
| 451 | DO-04445001 | BLM18AG221SN1D | 1 | 1/P | | | | | | | | | FB301 |
| 452 | DO-04445001 | BLM18AG221SN1D | 1 | 1/P | | | | | | | | | FB302 |
| 453 | DO-04445001 | BLM18AG221SN1D | 1 | 1/P | | | | | | | | | FB303 |
| 454 | DO-04445001 | BLM18AG221SN1D | 1 | 1/P | | | | | | | | | FB304 |
| 455 | DO-07755001 | BLM18PG600SN1D | 1 | 1/P | | | | | | | | | FB305 |
| 456 | DO-07755001 | BLM18PG600SN1D | 1 | 1/P | | | | | | | | | FB306 |
| 457 | DO-07755001 | BLM18PG600SN1D | 1 | 1/P | | | | | | | | | FB307 |
| 458 | DO-07755001 | BLM18PG600SN1D | 1 | 1/P | | | | | | | | | FB308 |
| 459 | DO-08554001 | BLM21PG300SN1D | 1 | 5/P | | | | | | | | | FB309 |
| 460 | DO-07755001 | BLM18PG600SN1D | 1 | 1/P | | | | | | | | | FB310 |
| 461 | DO-07755001 | BLM18PG600SN1D | 1 | 1/P | | | | | | | | | FB311 |

| | | | | | | | | | | | | | |
|-----|-------------|----------------------|---|-----|--|--|--|--|--|--|--|--|------|
| 501 | D0-23244001 | SLF12575T-1R2N8R2-PF | 1 | 5/P | | | | | | | | | L1 |
| 502 | D0-23244001 | SLF12575T-1R2N8R2-PF | 1 | 5/P | | | | | | | | | L2 |
| 503 | D0-23244001 | SLF12575T-1R2N8R2-PF | 1 | 5/P | | | | | | | | | L3 |
| 504 | D0-23244001 | SLF12575T-1R2N8R2-PF | 1 | 5/P | | | | | | | | | L4 |
| 506 | D0-15881001 | LQM21FN2R2N00D | 1 | 5/P | | | | | | | | | L6 |
| 507 | D0-15881001 | LQM21FN2R2N00D | 1 | 5/P | | | | | | | | | L7 |
| 508 | D0-15881001 | LQM21FN2R2N00D | 1 | 5/P | | | | | | | | | L8 |
| 509 | D0-15881001 | LQM21FN2R2N00D | 1 | 5/P | | | | | | | | | L9 |
| 601 | D0-23236001 | NLV32T-1R0J-PF | 1 | 5/P | | | | | | | | | L301 |
| 602 | D0-23236001 | NLV32T-1R0J-PF | 1 | 5/P | | | | | | | | | L302 |
| 603 | D0-15881001 | LQM21FN2R2N00D | 1 | 5/P | | | | | | | | | L303 |
| 649 | C0-10089001 | SML-210MTT86 | 1 | 1/D | | | | | | | | | LED9 |
| 651 | D0-07751001 | NFM21CC223R1H3D | 1 | 5/P | | | | | | | | | NF1 |
| 652 | D0-07751001 | NFM21CC223R1H3D | 1 | 5/P | | | | | | | | | NF2 |
| 653 | D0-05475001 | NFE31PT222Z1E9L | 1 | 5/P | | | | | | | | | NF3 |
| 654 | D0-07751001 | NFM21CC223R1H3D | 1 | 5/P | | | | | | | | | NF4 |
| 655 | D0-05475001 | NFE31PT222Z1E9L | 1 | 5/P | | | | | | | | | NF5 |
| 656 | D0-05475001 | NFE31PT222Z1E9L | 1 | 5/P | | | | | | | | | NF6 |
| 657 | D0-05478001 | NFE61PT472C1H9L | 1 | 5/P | | | | | | | | | NF7 |
| 658 | D0-05478001 | NFE61PT472C1H9L | 1 | 5/P | | | | | | | | | NF8 |
| 659 | D0-05478001 | NFE61PT472C1H9L | 1 | 5/P | | | | | | | | | NF9 |
| 660 | D0-07751001 | NFM21CC223R1H3D | 1 | 5/P | | | | | | | | | NF10 |
| 661 | D0-07751001 | NFM21CC223R1H3D | 1 | 5/P | | | | | | | | | NF11 |
| 662 | D0-07751001 | NFM21CC223R1H3D | 1 | 5/P | | | | | | | | | NF12 |



| Item No. | Parts No. | Parts Name | QTY/ Unit | QTY/ Pack | Part remarks | Catg. | Serial No. | P | I | R | BSI No. | Change | PC Board |
|----------|-------------|---------------|--------------|--------------|--------------|-------|------------|---|---|---|---------|--------|----------|
| 1 | D0-20276001 | MNR14EOABJ102 | 1 | 5/P | | | | | | | | | RA1 |
| 2 | D0-20276001 | MNR14EOABJ102 | 1 | 5/P | | | | | | | | | RA2 |
| 3 | D0-20368001 | MNR14EOABJ220 | 1 | 5/P | | | | | | | | | RA3 |
| 4 | D0-20368001 | MNR14EOABJ220 | 1 | 5/P | | | | | | | | | RA4 |
| 5 | D0-20368001 | MNR14EOABJ220 | 1 | 5/P | | | | | | | | | RA5 |
| 6 | D0-20368001 | MNR14EOABJ220 | 1 | 5/P | | | | | | | | | RA6 |
| 7 | D0-20251001 | MNR04M0ABJ472 | 1 | 5/P | | | | | | | | | RA7 |
| 8 | D0-20237001 | MNR04M0ABJ220 | 1 | 5/P | | | | | | | | | RA8 |
| 9 | D0-20229001 | MNR04M0ABJ103 | 1 | 5/P | | | | | | | | | RA9 |
| 11 | D0-20368001 | MNR14EOABJ220 | 1 | 5/P | | | | | | | | | RA11 |
| 12 | D0-20368001 | MNR14EOABJ220 | 1 | 5/P | | | | | | | | | RA12 |
| 13 | D0-20376001 | MNR14EOABJ330 | 1 | 5/P | | | | | | | | | RA13 |
| 14 | D0-20376001 | MNR14EOABJ330 | 1 | 5/P | | | | | | | | | RA14 |
| 15 | D0-20376001 | MNR14EOABJ330 | 1 | 5/P | | | | | | | | | RA15 |
| 16 | D0-20376001 | MNR14EOABJ330 | 1 | 5/P | | | | | | | | | RA16 |
| 17 | D0-20251001 | MNR04M0ABJ472 | 1 | 5/P | | | | | | | | | RA17 |
| 23 | D0-20229001 | MNR04M0ABJ103 | 1 | 5/P | | | | | | | | | RA23 |
| 24 | D0-20229001 | MNR04M0ABJ103 | 1 | 5/P | | | | | | | | | RA24 |
| 25 | D0-20229001 | MNR04M0ABJ103 | 1 | 5/P | | | | | | | | | RA25 |
| 26 | D0-20229001 | MNR04M0ABJ103 | 1 | 5/P | | | | | | | | | RA26 |
| 27 | D0-20251001 | MNR04M0ABJ472 | 1 | 5/P | | | | | | | | | RA27 |
| 28 | D0-20251001 | MNR04M0ABJ472 | 1 | 5/P | | | | | | | | | RA28 |
| 29 | D0-20242001 | MNR04M0ABJ330 | 1 | 5/P | | | | | | | | | RA29 |
| 30 | D0-20242001 | MNR04M0ABJ330 | 1 | 5/P | | | | | | | | | RA30 |
| 301 | D0-20368001 | MNR14EOABJ220 | 1 | 5/P | | | | | | | | | RA301 |
| 302 | D0-20280001 | MNR14EOABJ103 | 1 | 5/P | | | | | | | | | RA302 |
| 303 | D0-20280001 | MNR14EOABJ103 | 1 | 5/P | | | | | | | | | RA303 |
| 304 | D0-20280001 | MNR14EOABJ103 | 1 | 5/P | | | | | | | | | RA304 |
| 305 | D0-20280001 | MNR14EOABJ103 | 1 | 5/P | | | | | | | | | RA305 |
| 308 | D0-20280001 | MNR14EOABJ103 | 1 | 5/P | | | | | | | | | RA308 |
| 309 | D0-20280001 | MNR14EOABJ103 | 1 | 5/P | | | | | | | | | RA309 |
| 310 | D0-22984001 | MNR04M0ABJ560 | 1 | 5/P | | | | | | | | | RA310 |
| 311 | D0-22984001 | MNR04M0ABJ560 | 1 | 5/P | | | | | | | | | RA311 |
| 312 | D0-22984001 | MNR04M0ABJ560 | 1 | 5/P | | | | | | | | | RA312 |
| 313 | D0-22984001 | MNR04M0ABJ560 | 1 | 5/P | | | | | | | | | RA313 |
| 314 | D0-22984001 | MNR04M0ABJ560 | 1 | 5/P | | | | | | | | | RA314 |
| 315 | D0-22984001 | MNR04M0ABJ560 | 1 | 5/P | | | | | | | | | RA315 |
| 316 | D0-22984001 | MNR04M0ABJ560 | 1 | 5/P | | | | | | | | | RA316 |
| 317 | D0-22984001 | MNR04M0ABJ560 | 1 | 5/P | | | | | | | | | RA317 |
| 318 | D0-22984001 | MNR04M0ABJ560 | 1 | 5/P | | | | | | | | | RA318 |
| 319 | D0-22984001 | MNR04M0ABJ560 | 1 | 5/P | | | | | | | | | RA319 |
| 320 | D0-22984001 | MNR04M0ABJ560 | 1 | 5/P | | | | | | | | | RA320 |
| 321 | D0-22984001 | MNR04M0ABJ560 | 1 | 5/P | | | | | | | | | RA321 |
| 322 | D0-22984001 | MNR04M0ABJ560 | 1 | 5/P | | | | | | | | | RA322 |
| 323 | D0-22984001 | MNR04M0ABJ560 | 1 | 5/P | | | | | | | | | RA323 |
| 324 | D0-22984001 | MNR04M0ABJ560 | 1 | 5/P | | | | | | | | | RA324 |
| 325 | D0-22984001 | MNR04M0ABJ560 | 1 | 5/P | | | | | | | | | RA325 |
| 326 | D0-22984001 | MNR04M0ABJ560 | 1 | 5/P | | | | | | | | | RA326 |
| 327 | D0-22984001 | MNR04M0ABJ560 | 1 | 5/P | | | | | | | | | RA327 |
| 328 | D0-22984001 | MNR04M0ABJ560 | 1 | 5/P | | | | | | | | | RA328 |
| 329 | D0-22984001 | MNR04M0ABJ560 | 1 | 5/P | | | | | | | | | RA329 |
| 330 | D0-22984001 | MNR04M0ABJ560 | 1 | 5/P | | | | | | | | | RA330 |
| 331 | D0-22984001 | MNR04M0ABJ560 | 1 | 5/P | | | | | | | | | RA331 |
| 332 | D0-22984001 | MNR04M0ABJ560 | 1 | 5/P | | | | | | | | | RA332 |
| 333 | D0-22984001 | MNR04M0ABJ560 | 1 | 5/P | | | | | | | | | RA333 |
| 334 | D0-22984001 | MNR04M0ABJ560 | 1 | 5/P | | | | | | | | | RA334 |
| 335 | D0-22984001 | MNR04M0ABJ560 | 1 | 5/P | | | | | | | | | RA335 |
| 336 | D0-22984001 | MNR04M0ABJ560 | 1 | 5/P | | | | | | | | | RA336 |
| 337 | D0-22984001 | MNR04M0ABJ560 | 1 | 5/P | | | | | | | | | RA337 |
| 338 | D0-20237001 | MNR04M0ABJ220 | 1 | 5/P | | | | | | | | | RA338 |
| 339 | D0-20237001 | MNR04M0ABJ220 | 1 | 5/P | | | | | | | | | RA339 |
| 340 | D0-20237001 | MNR04M0ABJ220 | 1 | 5/P | | | | | | | | | RA340 |
| 341 | D0-20237001 | MNR04M0ABJ220 | 1 | 5/P | | | | | | | | | RA341 |
| 342 | D0-20229001 | MNR04M0ABJ103 | 1 | 5/P | | | | | | | | | RA342 |
| 343 | D0-20229001 | MNR04M0ABJ103 | 1 | 5/P | | | | | | | | | RA343 |
| 344 | D0-20229001 | MNR04M0ABJ103 | 1 | 5/P | | | | | | | | | RA344 |

| Item No. | Parts No. | Parts Name | QTY/ Unit | QTY/ Pack | Part remarks | Catg. | Serial No. | P | I | R | BSI No. | Change | PC Board |
|----------|-------------|----------------------------------|--------------|--------------|--------------|-------|------------|---|---|---|---------|------------|----------|
| 0 | 6LE88452000 | ASY-SLG-377S | 1 | 1/SB | | | | | | | | | |
| 11 | CO-10926001 | CY7C109B-15ZXCT | 1 | 5/S | | | | | | | | To: 11-1 | IC1 |
| 11-1 | CO-13695001 | M5M51008DVP-55H ST | 1 | 5/S | | | | C | E | J | G06F915 | To: 11-2 | IC1 |
| 11-2 | CO-14461001 | CY7C109BN-15ZXCT | 1 | 5/S | | | | C | E | F | G07G048 | From: 11-1 | |
| 12 | CO-06856000 | HD49334F | 1 | 5/S | | | | | | | | | IC2 |
| 13 | CO-09489001 | 74VHC08MTCX | 1 | 1/S | | | | | | | | | IC3 |
| 14 | CO-09509001 | 74VHC32MTCX | 1 | 1/S | | | | | | | | | IC4 |
| 15 | CO-09929001 | NC7SZ125M5X | 1 | 1/S | | | | | | | | | IC5 |
| 16 | CO-09497001 | 74VHC14MTCX | 1 | 1/S | | | | | | | | | IC6 |
| 17 | CO-07826000 | MBM29F400TC-90PFTN-E1 | 1 | 1/S | | | | | | | | | IC7 |
| 18 | CO-11001001 | SN7407DR | 1 | 1/S | | | | | | | | | IC8 |
| 19 | CO-06762000 | EC-N062 TMP95C063FE | 1 | 1/S | | | | | | | | To: 19-1 | IC9 |
| 19-1 | CO-08160000 | TMP95C063FE | 1 | 1/S | | | | C | E | F | G07C730 | From: 19 | |
| 20 | CO-09527001 | 74VHCT245AMTCX | 1 | 5/P | | | | | | | | | IC10 |
| 21 | CO-06856000 | HD49334F | 1 | 5/S | | | | | | | | | IC11 |
| 23 | CO-09477001 | 74LCX541MTCX | 1 | 5/S | | | | | | | | | IC13 |
| 24 | CO-09477001 | 74LCX541MTCX | 1 | 5/S | | | | | | | | | IC14 |
| 26 | CO-12821000 | STK672-401 | 1 | 5/P | | | | | | | | | IC16 |
| 27 | CO-11212001 | M51957BFP CF1J | 1 | 5/S | | | | | | | | | IC17 |
| 29 | CO-12003001 | PQ2TZ15UJ00H | 1 | 1/S | | | | | | | | | IC19 |
| 31 | CO-09522001 | 74VHCT08AMTCX | 1 | 5/S | | | | | | | | | IC21 |
| 32 | CO-06859001 | LM358MX/NOPB | 1 | 5/S | | | | | | | | | IC22 |
| 34 | CO-09504001 | 74VHC245MTCX | 1 | 5/S | | | | | | | | | IC24 |
| 36 | CO-09504001 | 74VHC245MTCX | 1 | 5/S | | | | | | | | | IC26 |
| 41 | CO-09525001 | 74VHCT244AMTCX | 1 | 5/S | | | | | | | | | IC31 |
| 44 | CO-09487001 | 74VHC04MTCX | 1 | 1/S | | | | | | | | | IC34 |
| 45 | CO-06999000 | EC-N064 | 1 | 5/S | | | | | | | | | IC35 |
| 52 | CO-08138002 | KS5M2U1748CBP RN1401(TE85L F) | 1 | 5/P | | | | | | | | | Q2 |
| 54 | CO-08139002 | RN2401(TE85L F) | 1 | 5/P | | | | | | | | | Q4 |
| 55 | CO-08138002 | RN1401(TE85L F) | 1 | 5/P | | | | | | | | | Q5 |
| 56 | CO-08138002 | RN1401(TE85L F) | 1 | 5/P | | | | | | | | | Q6 |
| 57 | CO-08135002 | 2SA1213-Y(TE12L F) | 1 | 5/P | | | | | | | | | Q7 |
| 101 | CO-08126002 | 1SS184(TE85L F) | 1 | 5/P | | | | | | | | | D1 |
| 102 | CO-08126002 | 1SS184(TE85L F) | 1 | 5/P | | | | | | | | | D2 |
| 103 | CO-08127002 | 1SS193(TE85L F) | 1 | 5/P | | | | | | | | | D3 |
| 151 | CO-08130002 | 02CZ3.3-X(TE85L F) | 1 | 5/P | | | | | | | | | ZD1 |
| 201 | DO-04100001 | GRM188B11H103KA01D | 1 | 10/P | | | | | | | | | C1 |
| 202 | DO-04098001 | GRM188F11E104ZA01D | 1 | 10/P | | | | | | | | To: 202-1 | C2 |
| 202-1 | DO-19564001 | MCR03EZPF3300 | 1 | 5/P | | | | C | E | J | G06C702 | From: 202 | C2 |
| 203 | DO-04090001 | GRM1882C1H471JA01D | 1 | 10/P | | | | | | | | | C3 |
| 206 | DO-04092001 | GRM188B11H222KA01D | 1 | 10/P | | | | | | | | | C6 |
| 207 | DO-04098001 | GRM188F11E104ZA01D | 1 | 10/P | | | | | | | | To: 207-1 | C7 |
| 207-1 | DO-19564001 | MCR03EZPF3300 | 1 | 5/P | | | | C | E | J | G06C702 | From: 207 | C7 |
| 208 | DO-04098001 | GRM188F11E104ZA01D | 1 | 10/P | | | | | | | | To: 208-1 | C8 |
| 208-1 | DO-19564001 | MCR03EZPF3300 | 1 | 5/P | | | | C | E | J | G06C702 | From: 208 | C8 |
| 209 | DO-04098001 | GRM188F11E104ZA01D | 1 | 10/P | | | | | | | | To: 209-1 | C9 |
| 209-1 | DO-19564001 | MCR03EZPF3300 | 1 | 5/P | | | | C | E | J | G06C702 | From: 209 | C9 |
| 211 | DO-04098001 | GRM188F11E104ZA01D | 1 | 10/P | | | | | | | | To: 211-1 | C11 |
| 211-1 | DO-19564001 | MCR03EZPF3300 | 1 | 5/P | | | | C | E | J | G06C702 | From: 211 | C11 |
| 212 | DO-04098001 | GRM188F11E104ZA01D | 1 | 10/P | | | | | | | | To: 212-1 | C12 |
| 212-1 | DO-19564001 | MCR03EZPF3300 | 1 | 5/P | | | | C | E | J | G06C702 | From: 212 | C12 |
| 213 | DO-04098001 | GRM188F11E104ZA01D | 1 | 10/P | | | | | | | | To: 213-1 | C13 |
| 213-1 | DO-19564001 | MCR03EZPF3300 | 1 | 5/P | | | | C | E | J | G06C702 | From: 213 | C13 |
| 214 | DO-04098001 | GRM188F11E104ZA01D | 1 | 10/P | | | | | | | | To: 214-1 | C14 |
| 214-1 | DO-19564001 | MCR03EZPF3300 | 1 | 5/P | | | | C | E | J | G06C702 | From: 214 | C14 |
| 215 | DO-04098001 | GRM188F11E104ZA01D | 1 | 10/P | | | | | | | | To: 215-1 | C15 |
| 215-1 | DO-19564001 | MCR03EZPF3300 | 1 | 5/P | | | | C | E | J | G06C702 | From: 215 | C15 |
| 216 | DO-04087001 | GRM1882C1E821JA01D | 1 | 5/P | | | | | | | | | C16 |
| 217 | DO-15995001 | MVK16VC47MF55E0 | 1 | 5/P | | | | | | | | | C17 |
| 218 | DO-15995001 | MVK16VC47MF55E0 | 1 | 5/P | | | | | | | | | C18 |
| 244 | DO-04098001 | GRM188F11E104ZA01D | 1 | 10/P | | | | | | | | To: 244-1 | C44 |
| 244-1 | DO-19564001 | MCR03EZPF3300 | 1 | 5/P | | | | C | E | J | G06C702 | From: 244 | C44 |
| 245 | DO-04098001 | GRM188F11E104ZA01D | 1 | 10/P | | | | | | | | To: 245-1 | C45 |
| 245-1 | DO-19564001 | MCR03EZPF3300 | 1 | 5/P | | | | C | E | J | G06C702 | From: 245 | C45 |

| | | | | | | | | | | |
|-------|-------------|--------------------|---|------|--|--|-------|---------|-----------|------|
| 246 | DO-04098001 | GRM188F11E104ZA01D | 1 | 10/P | | | | | To: 246-1 | C46 |
| 246-1 | DO-19564001 | MCRO3EZPF3300 | 1 | 5/P | | | | | From: 246 | C46 |
| 247 | DO-04098001 | GRM188F11E104ZA01D | 1 | 10/P | | | C E J | G06C702 | To: 247-1 | C47 |
| 247-1 | DO-19564001 | MCRO3EZPF3300 | 1 | 5/P | | | C E J | G06C702 | From: 247 | C47 |
| 248 | DO-04098001 | GRM188F11E104ZA01D | 1 | 10/P | | | | | To: 248-1 | C48 |
| 248-1 | DO-19564001 | MCRO3EZPF3300 | 1 | 5/P | | | C E J | G06C702 | From: 248 | C48 |
| 249 | DO-04098001 | GRM188F11E104ZA01D | 1 | 10/P | | | | | To: 249-1 | C49 |
| 249-1 | DO-19564001 | MCRO3EZPF3300 | 1 | 5/P | | | C E J | G06C702 | From: 249 | C49 |
| 250 | DO-04098001 | GRM188F11E104ZA01D | 1 | 10/P | | | | | To: 250-1 | C50 |
| 250-1 | DO-19564001 | MCRO3EZPF3300 | 1 | 5/P | | | C E J | G06C702 | From: 250 | C50 |
| 251 | DO-04098001 | GRM188F11E104ZA01D | 1 | 10/P | | | | | To: 251-1 | C51 |
| 251-1 | DO-19564001 | MCRO3EZPF3300 | 1 | 5/P | | | C E J | G06C702 | From: 251 | C51 |
| 252 | DO-04098001 | GRM188F11E104ZA01D | 1 | 10/P | | | | | To: 252-1 | C52 |
| 252-1 | DO-19564001 | MCRO3EZPF3300 | 1 | 5/P | | | C E J | G06C702 | From: 252 | C52 |
| 253 | DO-04098001 | GRM188F11E104ZA01D | 1 | 10/P | | | | | To: 253-1 | C53 |
| 253-1 | DO-19564001 | MCRO3EZPF3300 | 1 | 5/P | | | C E J | G06C702 | From: 253 | C53 |
| 254 | DO-04085001 | GRM1882C1H100JZ01D | 1 | 5/P | | | | | | C54 |
| 255 | DO-04085001 | GRM1882C1H100JZ01D | 1 | 5/P | | | | | | C55 |
| 257 | DO-04098001 | GRM188F11E104ZA01D | 1 | 10/P | | | | | To: 257-1 | C57 |
| 257-1 | DO-19564001 | MCRO3EZPF3300 | 1 | 5/P | | | C E J | G06C702 | From: 257 | C57 |
| 258 | DO-04098001 | GRM188F11E104ZA01D | 1 | 10/P | | | | | To: 258-1 | C58 |
| 258-1 | DO-19564001 | MCRO3EZPF3300 | 1 | 5/P | | | C E J | G06C702 | From: 258 | C58 |
| 259 | DO-04098001 | GRM188F11E104ZA01D | 1 | 10/P | | | | | To: 259-1 | C59 |
| 259-1 | DO-19564001 | MCRO3EZPF3300 | 1 | 5/P | | | C E J | G06C702 | From: 259 | C59 |
| 260 | DO-04098001 | GRM188F11E104ZA01D | 1 | 10/P | | | | | To: 260-1 | C60 |
| 260-1 | DO-19564001 | MCRO3EZPF3300 | 1 | 5/P | | | C E J | G06C702 | From: 260 | C60 |
| 263 | DO-04098001 | GRM188F11E104ZA01D | 1 | 10/P | | | | | To: 263-1 | C63 |
| 263-1 | DO-19564001 | MCRO3EZPF3300 | 1 | 5/P | | | C E J | G06C702 | From: 263 | C63 |
| 264 | DO-04098001 | GRM188F11E104ZA01D | 1 | 10/P | | | | | To: 264-1 | C64 |
| 264-1 | DO-19564001 | MCRO3EZPF3300 | 1 | 5/P | | | C E J | G06C702 | From: 264 | C64 |
| 265 | DO-04098001 | GRM188F11E104ZA01D | 1 | 10/P | | | | | To: 265-1 | C65 |
| 265-1 | DO-19564001 | MCRO3EZPF3300 | 1 | 5/P | | | C E J | G06C702 | From: 265 | C65 |
| 266 | DO-04098001 | GRM188F11E104ZA01D | 1 | 10/P | | | | | To: 266-1 | C66 |
| 266-1 | DO-19564001 | MCRO3EZPF3300 | 1 | 5/P | | | C E J | G06C702 | From: 266 | C66 |
| 267 | DO-04098001 | GRM188F11E104ZA01D | 1 | 10/P | | | | | To: 267-1 | C67 |
| 267-1 | DO-19564001 | MCRO3EZPF3300 | 1 | 5/P | | | C E J | G06C702 | From: 267 | C67 |
| 268 | DO-15995001 | MVK16VC47MF55E0 | 1 | 5/P | | | | | | C68 |
| 269 | DO-04087001 | GRM1882C1E821JA01D | 1 | 5/P | | | | | | C69 |
| 270 | DO-04098001 | GRM188F11E104ZA01D | 1 | 10/P | | | | | To: 270-1 | C70 |
| 270-1 | DO-19564001 | MCRO3EZPF3300 | 1 | 5/P | | | C E J | G06C702 | From: 270 | C70 |
| 271 | DO-04098001 | GRM188F11E104ZA01D | 1 | 10/P | | | | | To: 271-1 | C71 |
| 271-1 | DO-19564001 | MCRO3EZPF3300 | 1 | 5/P | | | C E J | G06C702 | From: 271 | C71 |
| 272 | DO-05723001 | GRM21BF11C105ZA01L | 1 | 10/P | | | | | | C72 |
| 273 | DO-05723001 | GRM21BF11C105ZA01L | 1 | 10/P | | | | | | C73 |
| 274 | DO-04098001 | GRM188F11E104ZA01D | 1 | 10/P | | | | | To: 274-1 | C74 |
| 274-1 | DO-19564001 | MCRO3EZPF3300 | 1 | 5/P | | | C E J | G06C702 | From: 274 | C74 |
| 275 | DO-04098001 | GRM188F11E104ZA01D | 1 | 10/P | | | | | To: 275-1 | C75 |
| 275-1 | DO-19564001 | MCRO3EZPF3300 | 1 | 5/P | | | C E J | G06C702 | From: 275 | C75 |
| 276 | DO-04098001 | GRM188F11E104ZA01D | 1 | 10/P | | | | | To: 276-1 | C76 |
| 276-1 | DO-19564001 | MCRO3EZPF3300 | 1 | 5/P | | | C E J | G06C702 | From: 276 | C76 |
| 277 | DO-15995001 | MVK16VC47MF55E0 | 1 | 5/P | | | | | | C77 |
| 278 | DO-04098001 | GRM188F11E104ZA01D | 1 | 10/P | | | | | To: 278-1 | C78 |
| 278-1 | DO-19564001 | MCRO3EZPF3300 | 1 | 5/P | | | C E J | G06C702 | From: 278 | C78 |
| 280 | DO-04102001 | GRM1882C1H101JA01D | 1 | 10/P | | | | | | C80 |
| 281 | DO-04093001 | GRM1882C1H220JZ01D | 1 | 10/P | | | | | | C81 |
| 282 | DO-04102001 | GRM1882C1H101JA01D | 1 | 10/P | | | | | | C82 |
| 283 | DO-04093001 | GRM1882C1H220JZ01D | 1 | 10/P | | | | | | C83 |
| 284 | DO-04093001 | GRM1882C1H220JZ01D | 1 | 10/P | | | | | | C84 |
| 285 | DO-04093001 | GRM1882C1H220JZ01D | 1 | 10/P | | | | | | C85 |
| 286 | DO-04093001 | GRM1882C1H220JZ01D | 1 | 10/P | | | | | | C86 |
| 287 | DO-04093001 | GRM1882C1H220JZ01D | 1 | 10/P | | | | | | C87 |
| 288 | DO-04093001 | GRM1882C1H220JZ01D | 1 | 10/P | | | | | | C88 |
| 289 | DO-04093001 | GRM1882C1H220JZ01D | 1 | 10/P | | | | | | C89 |
| 290 | DO-04093001 | GRM1882C1H220JZ01D | 1 | 10/P | | | | | | C90 |
| 291 | DO-04093001 | GRM1882C1H220JZ01D | 1 | 10/P | | | | | | C91 |
| 292 | DO-04093001 | GRM1882C1H220JZ01D | 1 | 10/P | | | | | | C92 |
| 295 | DO-04099001 | GRM188F11C104ZA01D | 1 | 10/P | | | | | | C95 |
| 296 | DO-04099001 | GRM188F11C104ZA01D | 1 | 10/P | | | | | | C96 |
| 297 | DO-04099001 | GRM188F11C104ZA01D | 1 | 10/P | | | | | | C97 |
| 298 | DO-04099001 | GRM188F11C104ZA01D | 1 | 10/P | | | | | | C98 |
| 299 | DO-04099001 | GRM188F11C104ZA01D | 1 | 10/P | | | | | | C99 |
| 300 | DO-04099001 | GRM188F11C104ZA01D | 1 | 10/P | | | | | | C100 |
| 301 | DO-04099001 | GRM188F11C104ZA01D | 1 | 10/P | | | | | | C101 |

| | | | | | | | | | | |
|-------|-------------|--------------------|---|------|---|---|---|---------|------------------------|------|
| 302 | DO-04102001 | GRM1882C1H101JA01D | 1 | 10/P | | | | | | C102 |
| 303 | DO-04099001 | GRM188F11C104ZA01D | 1 | 10/P | | | | | | C103 |
| 304 | DO-04102001 | GRM1882C1H101JA01D | 1 | 10/P | | | | | | C104 |
| 305 | DO-04099001 | GRM188F11C104ZA01D | 1 | 10/P | | | | | | C105 |
| 306 | DO-04098001 | GRM188F11E104ZA01D | 1 | 10/P | | | | | | C106 |
| 306-1 | DO-19564001 | MCR03EZPF3300 | 1 | 5/P | C | E | J | G06C702 | To: 306-1 From: 306 | C106 |
| 307 | DO-04098001 | GRM188F11E104ZA01D | 1 | 10/P | | | | | | C107 |
| 307-1 | DO-19564001 | MCR03EZPF3300 | 1 | 5/P | C | E | J | G06C702 | To: 307-1 From: 307 | C107 |
| 308 | DO-04101001 | GRM188B11H102KA01D | 1 | 10/P | | | | | | C108 |
| 309 | DO-04092001 | GRM188B11H222KA01D | 1 | 10/P | | | | | | C109 |
| 310 | DO-04098001 | GRM188F11E104ZA01D | 1 | 10/P | | | | | | C110 |
| 310-1 | DO-19564001 | MCR03EZPF3300 | 1 | 5/P | C | E | J | G06C702 | To: 310-1 From: 310 | C110 |
| 311 | DO-04042001 | C1608JF1H104ZT | 1 | 10/P | | | | | | C111 |
| 312 | DO-15999001 | MVK35VC4R7MD55E0 | 1 | 5/P | | | | | | C112 |
| 313 | DO-04042001 | C1608JF1H104ZT | 1 | 10/P | | | | | | C113 |
| 314 | DO-16003001 | MVK50VC100MJ10E0 | 1 | 5/P | | | | | | C114 |
| 315 | DO-04098001 | GRM188F11E104ZA01D | 1 | 10/P | | | | | | C115 |
| 315-1 | DO-19564001 | MCR03EZPF3300 | 1 | 5/P | C | E | J | G06C702 | To: 315-1 From: 315 | C115 |
| 317 | DO-04098001 | GRM188F11E104ZA01D | 1 | 10/P | | | | | | C117 |
| 317-1 | DO-19564001 | MCR03EZPF3300 | 1 | 5/P | C | E | J | G06C702 | To: 317-1 From: 317 | C117 |
| 319 | DO-04100001 | GRM188B11H103KA01D | 1 | 10/P | | | | | | C119 |
| 320 | DO-04099001 | GRM188F11C104ZA01D | 1 | 10/P | | | | | | C120 |
| 321 | DO-04098001 | GRM188F11E104ZA01D | 1 | 10/P | | | | | | C121 |
| 321-1 | DO-19564001 | MCR03EZPF3300 | 1 | 5/P | C | E | J | G06C702 | To: 321-1 From: 321 | C121 |
| 322 | DO-04099001 | GRM188F11C104ZA01D | 1 | 10/P | | | | | | C122 |
| 323 | DO-04098001 | GRM188F11E104ZA01D | 1 | 10/P | | | | | | C123 |
| 323-1 | DO-19564001 | MCR03EZPF3300 | 1 | 5/P | C | E | J | G06C702 | To: 323-1 From: 323 | C123 |
| 325 | DO-04098001 | GRM188F11E104ZA01D | 1 | 10/P | | | | | | C125 |
| 325-1 | DO-19564001 | MCR03EZPF3300 | 1 | 5/P | C | E | J | G06C702 | To: 325-1 From: 325 | C125 |
| 326 | DO-04099001 | GRM188F11C104ZA01D | 1 | 10/P | | | | | | C126 |
| 327 | DO-15995001 | MVK16VC47MF55E0 | 1 | 5/P | | | | | | C127 |
| 328 | DO-04098001 | GRM188F11E104ZA01D | 1 | 10/P | | | | | | C128 |
| 328-1 | DO-19564001 | MCR03EZPF3300 | 1 | 5/P | C | E | J | G06C702 | To: 328-1 From: 328 | C128 |
| 329 | DO-04099001 | GRM188F11C104ZA01D | 1 | 10/P | | | | | | C129 |
| 330 | DO-04099001 | GRM188F11C104ZA01D | 1 | 10/P | | | | | | C130 |
| 331 | DO-04099001 | GRM188F11C104ZA01D | 1 | 10/P | | | | | | C131 |
| 332 | DO-04102001 | GRM1882C1H101JA01D | 1 | 10/P | | | | | | C132 |
| 333 | DO-04102001 | GRM1882C1H101JA01D | 1 | 10/P | | | | | | C133 |
| 334 | DO-04102001 | GRM1882C1H101JA01D | 1 | 10/P | | | | | | C134 |
| 335 | DO-04102001 | GRM1882C1H101JA01D | 1 | 10/P | | | | | | C135 |
| 336 | DO-04101001 | GRM188B11H102KA01D | 1 | 10/P | | | | | | C136 |
| 337 | DO-04101001 | GRM188B11H102KA01D | 1 | 10/P | | | | | | C137 |
| 338 | DO-04101001 | GRM188B11H102KA01D | 1 | 10/P | | | | | | C138 |
| 339 | DO-04098001 | GRM188F11E104ZA01D | 1 | 10/P | | | | | | C139 |
| 339-1 | DO-19564001 | MCR03EZPF3300 | 1 | 5/P | C | E | J | G06C702 | To: 339-1 From: 339 | C139 |
| 340 | DO-15993001 | MVK10VC220MH10E0 | 1 | 5/P | | | | | | C140 |
| 341 | DO-04042001 | C1608JF1H104ZT | 1 | 10/P | | | | | | C141 |
| 342 | DO-04098001 | GRM188F11E104ZA01D | 1 | 10/P | | | | | | C142 |
| 342-1 | DO-19564001 | MCR03EZPF3300 | 1 | 5/P | C | E | J | G06C702 | To: 342-1 From: 342 | C142 |
| 343 | DO-16002001 | MVK50VC47MH10E0 | 1 | 5/P | | | | | | C143 |
| 344 | DO-04042001 | C1608JF1H104ZT | 1 | 10/P | | | | | | C144 |
| 345 | DO-16002001 | MVK50VC47MH10E0 | 1 | 5/P | | | | | | C145 |
| 346 | DO-15993001 | MVK10VC220MH10E0 | 1 | 5/P | | | | | | C146 |
| 347 | DO-04099001 | GRM188F11C104ZA01D | 1 | 10/P | | | | | | C147 |
| 348 | DO-04099001 | GRM188F11C104ZA01D | 1 | 10/P | | | | | | C148 |
| 349 | DO-04099001 | GRM188F11C104ZA01D | 1 | 10/P | | | | | | C149 |
| 350 | DO-04099001 | GRM188F11C104ZA01D | 1 | 10/P | | | | | | C150 |
| 351 | DO-04099001 | GRM188F11C104ZA01D | 1 | 10/P | | | | | | C151 |
| 352 | DO-04099001 | GRM188F11C104ZA01D | 1 | 10/P | | | | | | C152 |
| 353 | DO-04099001 | GRM188F11C104ZA01D | 1 | 10/P | | | | | | C153 |
| 354 | DO-04099001 | GRM188F11C104ZA01D | 1 | 10/P | | | | | | C154 |
| 355 | DO-04099001 | GRM188F11C104ZA01D | 1 | 10/P | | | | | | C155 |
| 356 | DO-04099001 | GRM188F11C104ZA01D | 1 | 10/P | | | | | | C156 |
| 357 | DO-04099001 | GRM188F11C104ZA01D | 1 | 10/P | | | | | | C157 |
| 358 | DO-04099001 | GRM188F11C104ZA01D | 1 | 10/P | | | | | | C158 |
| 385 | DO-04098001 | GRM188F11E104ZA01D | 1 | 10/P | | | | | | C185 |
| 385-1 | DO-19564001 | MCR03EZPF3300 | 1 | 5/P | C | E | J | G06C702 | To: 385-1 From: 385 | C185 |
| 387 | DO-05723001 | GRM21BF11C105ZA01L | 1 | 10/P | | | | | | C187 |
| 388 | DO-05723001 | GRM21BF11C105ZA01L | 1 | 10/P | | | | | | C188 |
| 389 | DO-05723001 | GRM21BF11C105ZA01L | 1 | 10/P | | | | | | C189 |
| 390 | DO-05723001 | GRM21BF11C105ZA01L | 1 | 10/P | | | | | | C190 |
| 391 | DO-04098001 | GRM188F11E104ZA01D | 1 | 10/P | | | | | | C191 |
| 391-1 | DO-19564001 | MCR03EZPF3300 | 1 | 5/P | C | E | J | G06C702 | To: 391-1 From: 391 | C191 |

| | | | | | | | | | | |
|-------|-------------|--------------------|---|------|--|--|-------|---------|-----------|------|
| 392 | DO-04098001 | GRM188F11E104ZA01D | 1 | 10/P | | | | | To: 392-1 | C192 |
| 392-1 | DO-19564001 | MCRO3EZPF3300 | 1 | 5/P | | | | | From: 392 | C192 |
| 393 | DO-04098001 | GRM188F11E104ZA01D | 1 | 10/P | | | C E J | G06C702 | To: 393-1 | C193 |
| 393-1 | DO-19564001 | MCRO3EZPF3300 | 1 | 5/P | | | C E J | G06C702 | From: 393 | C193 |
| 394 | DO-04098001 | GRM188F11E104ZA01D | 1 | 10/P | | | | | To: 394-1 | C194 |
| 394-1 | DO-19564001 | MCRO3EZPF3300 | 1 | 5/P | | | C E J | G06C702 | From: 394 | C194 |
| 395 | DO-04085001 | GRM1882C1H100JZ01D | 1 | 5/P | | | | | | C195 |
| 396 | DO-04092001 | GRM188B11H222KA01D | 1 | 10/P | | | | | | C196 |
| 409 | DO-04098001 | GRM188F11E104ZA01D | 1 | 10/P | | | | | To: 409-1 | C209 |
| 409-1 | DO-19564001 | MCRO3EZPF3300 | 1 | 5/P | | | C E J | G06C702 | From: 409 | C209 |
| 411 | DO-04098001 | GRM188F11E104ZA01D | 1 | 10/P | | | | | To: 411-1 | C211 |
| 411-1 | DO-19564001 | MCRO3EZPF3300 | 1 | 5/P | | | C E J | G06C702 | From: 411 | C211 |
| 412 | DO-04098001 | GRM188F11E104ZA01D | 1 | 10/P | | | | | To: 412-1 | C212 |
| 412-1 | DO-19564001 | MCRO3EZPF3300 | 1 | 5/P | | | C E J | G06C702 | From: 412 | C212 |
| 417 | DO-15995001 | MVK16VC47MF55E0 | 1 | 5/P | | | | | | C217 |
| 418 | DO-15995001 | MVK16VC47MF55E0 | 1 | 5/P | | | | | | C218 |
| 419 | DO-04098001 | GRM188F11E104ZA01D | 1 | 10/P | | | | | To: 419-1 | C219 |
| 419-1 | DO-19564001 | MCRO3EZPF3300 | 1 | 5/P | | | C E J | G06C702 | From: 419 | C219 |
| 420 | DO-15995001 | MVK16VC47MF55E0 | 1 | 5/P | | | | | | C220 |
| 423 | DO-04090001 | GRM1882C1H471JA01D | 1 | 10/P | | | | | | C223 |
| 424 | DO-04090001 | GRM1882C1H471JA01D | 1 | 10/P | | | | | | C224 |
| 440 | DO-15996001 | MVK16VC100MH10E0 | 1 | 5/P | | | | | | C240 |
| 441 | DO-04098001 | GRM188F11E104ZA01D | 1 | 10/P | | | | | To: 441-1 | C241 |
| 441-1 | DO-19564001 | MCRO3EZPF3300 | 1 | 5/P | | | C E J | G06C702 | From: 441 | C241 |
| 442 | DO-04093001 | GRM1882C1H220JZ01D | 1 | 10/P | | | | | | C242 |
| 443 | DO-15996001 | MVK16VC100MH10E0 | 1 | 5/P | | | | | | C243 |
| 490 | DO-04098001 | GRM188F11E104ZA01D | 1 | 10/P | | | | | To: 490-1 | C290 |
| 490-1 | DO-19564001 | MCRO3EZPF3300 | 1 | 5/P | | | C E J | G06C702 | From: 490 | C290 |
| 508 | DO-04042001 | C1608JF1H104ZT | 1 | 10/P | | | | | | C308 |
| 536 | DO-04098001 | GRM188F11E104ZA01D | 1 | 10/P | | | | | To: 536-1 | C336 |
| 536-1 | DO-19564001 | MCRO3EZPF3300 | 1 | 5/P | | | C E J | G06C702 | From: 536 | C336 |
| 800 | DO-04099001 | GRM188F11C104ZA01D | 1 | 10/P | | | | | | C600 |
| 801 | DO-04099001 | GRM188F11C104ZA01D | 1 | 10/P | | | | | | C601 |
| 802 | DO-04099001 | GRM188F11C104ZA01D | 1 | 10/P | | | | | | C602 |
| 803 | DO-04099001 | GRM188F11C104ZA01D | 1 | 10/P | | | | | | C603 |
| 804 | DO-04099001 | GRM188F11C104ZA01D | 1 | 10/P | | | | | | C604 |
| 805 | DO-04099001 | GRM188F11C104ZA01D | 1 | 10/P | | | | | | C605 |
| 807 | DO-04099001 | GRM188F11C104ZA01D | 1 | 10/P | | | | | | C607 |
| 808 | DO-04099001 | GRM188F11C104ZA01D | 1 | 10/P | | | | | | C608 |
| 810 | DO-04042001 | C1608JF1H104ZT | 1 | 10/P | | | | | | C610 |
| 811 | DO-04042001 | C1608JF1H104ZT | 1 | 10/P | | | | | | C611 |
| 812 | DO-04099001 | GRM188F11C104ZA01D | 1 | 10/P | | | | | | C612 |
| 813 | DO-04099001 | GRM188F11C104ZA01D | 1 | 10/P | | | | | | C613 |
| 814 | DO-04099001 | GRM188F11C104ZA01D | 1 | 10/P | | | | | | C614 |
| 815 | DO-04099001 | GRM188F11C104ZA01D | 1 | 10/P | | | | | | C615 |
| 816 | DO-04099001 | GRM188F11C104ZA01D | 1 | 10/P | | | | | | C616 |
| 817 | DO-04099001 | GRM188F11C104ZA01D | 1 | 10/P | | | | | | C617 |
| 818 | DO-04099001 | GRM188F11C104ZA01D | 1 | 10/P | | | | | | C618 |
| 820 | DO-04099001 | GRM188F11C104ZA01D | 1 | 10/P | | | | | | C620 |
| 821 | DO-04099001 | GRM188F11C104ZA01D | 1 | 10/P | | | | | | C621 |
| 822 | DO-04042001 | C1608JF1H104ZT | 1 | 10/P | | | | | | C622 |
| 823 | DO-04042001 | C1608JF1H104ZT | 1 | 10/P | | | | | | C623 |
| 824 | DO-04042001 | C1608JF1H104ZT | 1 | 10/P | | | | | | C624 |
| 825 | DO-04042001 | C1608JF1H104ZT | 1 | 10/P | | | | | | C625 |
| 826 | DO-04042001 | C1608JF1H104ZT | 1 | 10/P | | | | | | C626 |
| 850 | DO-04042001 | C1608JF1H104ZT | 1 | 10/P | | | | | | C650 |
| 851 | DO-04042001 | C1608JF1H104ZT | 1 | 10/P | | | | | | C651 |
| 852 | DO-04042001 | C1608JF1H104ZT | 1 | 10/P | | | | | | C652 |
| 853 | DO-04042001 | C1608JF1H104ZT | 1 | 10/P | | | | | | C653 |
| 854 | DO-04042001 | C1608JF1H104ZT | 1 | 10/P | | | | | | C654 |
| 855 | DO-04042001 | C1608JF1H104ZT | 1 | 10/P | | | | | | C655 |
| 856 | DO-04042001 | C1608JF1H104ZT | 1 | 10/P | | | | | | C656 |
| 857 | DO-04042001 | C1608JF1H104ZT | 1 | 10/P | | | | | | C657 |
| 858 | DO-04042001 | C1608JF1H104ZT | 1 | 10/P | | | | | | C658 |
| 900 | DO-04042001 | C1608JF1H104ZT | 1 | 10/P | | | | | | C800 |



| Item No. | Parts No. | Parts Name | QTY/ Unit | QTY/ Pack | Part remarks | Catg. | Serial No. | P | I | R | BSI No. | Change | PC Board |
|----------|-------------|--------------|--------------|--------------|--------------|-------|---------------|---|---|---|---------|--------|-------------|
| 1 | D0-23928001 | MCR03EZPJ472 | 1 | 5/P | | | | | | | | | R1 |
| 2 | D0-23928001 | MCR03EZPJ472 | 1 | 5/P | | | | | | | | | R2 |
| 3 | D0-23928001 | MCR03EZPJ472 | 1 | 5/P | | | | | | | | | R3 |
| 4 | D0-23928001 | MCR03EZPJ472 | 1 | 5/P | | | | | | | | | R4 |
| 5 | D0-23928001 | MCR03EZPJ472 | 1 | 5/P | | | | | | | | | R5 |
| 6 | D0-23928001 | MCR03EZPJ472 | 1 | 5/P | | | | | | | | | R6 |
| 7 | D0-23928001 | MCR03EZPJ472 | 1 | 5/P | | | | | | | | | R7 |
| 8 | D0-23928001 | MCR03EZPJ472 | 1 | 5/P | | | | | | | | | R8 |
| 9 | D0-23928001 | MCR03EZPJ472 | 1 | 5/P | | | | | | | | | R9 |
| 10 | D0-23928001 | MCR03EZPJ472 | 1 | 5/P | | | | | | | | | R10 |
| 11 | D0-23928001 | MCR03EZPJ472 | 1 | 5/P | | | | | | | | | R11 |
| 12 | D0-23928001 | MCR03EZPJ472 | 1 | 5/P | | | | | | | | | R12 |
| 13 | D0-23928001 | MCR03EZPJ472 | 1 | 5/P | | | | | | | | | R13 |
| 14 | D0-23928001 | MCR03EZPJ472 | 1 | 5/P | | | | | | | | | R14 |
| 15 | D0-23928001 | MCR03EZPJ472 | 1 | 5/P | | | | | | | | | R15 |
| 16 | D0-23928001 | MCR03EZPJ472 | 1 | 5/P | | | | | | | | | R16 |
| 17 | D0-23928001 | MCR03EZPJ472 | 1 | 5/P | | | | | | | | | R17 |
| 18 | D0-23928001 | MCR03EZPJ472 | 1 | 5/P | | | | | | | | | R18 |
| 19 | D0-23928001 | MCR03EZPJ472 | 1 | 5/P | | | | | | | | | R19 |
| 20 | D0-23891001 | MCR03EZPJ101 | 1 | 5/P | | | | | | | | | R20 |
| 21 | D0-23891001 | MCR03EZPJ101 | 1 | 5/P | | | | | | | | | R21 |
| 22 | D0-23891001 | MCR03EZPJ101 | 1 | 5/P | | | | | | | | | R22 |
| 23 | D0-23895001 | MCR03EZPJ103 | 1 | 5/P | | | | | | | | | R23 |
| 24 | D0-23887001 | MCR03EZPJ000 | 1 | 5/P | | | | | | | | | R24 |
| 25 | D0-23887001 | MCR03EZPJ000 | 1 | 5/P | | | | | | | | | R25 |
| 28 | D0-23891001 | MCR03EZPJ101 | 1 | 5/P | | | | | | | | | R28 |
| 29 | D0-23891001 | MCR03EZPJ101 | 1 | 5/P | | | | | | | | | R29 |
| 30 | D0-23891001 | MCR03EZPJ101 | 1 | 5/P | | | | | | | | | R30 |
| 31 | D0-23889001 | MCR03EZPJ100 | 1 | 5/P | | | | | | | | | R31 |
| 32 | D0-23889001 | MCR03EZPJ100 | 1 | 5/P | | | | | | | | | R32 |
| 33 | D0-23889001 | MCR03EZPJ100 | 1 | 5/P | | | | | | | | | R33 |
| 34 | D0-23889001 | MCR03EZPJ100 | 1 | 5/P | | | | | | | | | R34 |
| 35 | D0-23914001 | MCR03EZPJ220 | 1 | 5/P | | | | | | | | | R35 |
| 36 | D0-23914001 | MCR03EZPJ220 | 1 | 5/P | | | | | | | | | R36 |
| 39 | D0-25110001 | MCR03EZPJ333 | 1 | 5/P | | | | | | | | | R39 |
| 43 | D0-23887001 | MCR03EZPJ000 | 1 | 5/P | | | | | | | | | R43 |
| 44 | D0-23887001 | MCR03EZPJ000 | 1 | 5/P | | | | | | | | | R44 |
| 45 | D0-23917001 | MCR03EZPJ223 | 1 | 5/P | | | | | | | | | R45 |
| 46 | D0-23928001 | MCR03EZPJ472 | 1 | 5/P | | | | | | | | | R46 |
| 47 | D0-23917001 | MCR03EZPJ223 | 1 | 5/P | | | | | | | | | R47 |
| 48 | D0-23895001 | MCR03EZPJ103 | 1 | 5/P | | | | | | | | | R48 |
| 49 | D0-23895001 | MCR03EZPJ103 | 1 | 5/P | | | | | | | | | R49 |
| 50 | D0-23895001 | MCR03EZPJ103 | 1 | 5/P | | | | | | | | | R50 |
| 51 | D0-23895001 | MCR03EZPJ103 | 1 | 5/P | | | | | | | | | R51 |
| 52 | D0-23895001 | MCR03EZPJ103 | 1 | 5/P | | | | | | | | | R52 |
| 54 | D0-23895001 | MCR03EZPJ103 | 1 | 5/P | | | | | | | | | R54 |
| 55 | D0-23914001 | MCR03EZPJ220 | 1 | 5/P | | | | | | | | | R55 |
| 56 | D0-23895001 | MCR03EZPJ103 | 1 | 5/P | | | | | | | | | R56 |
| 57 | D0-23914001 | MCR03EZPJ220 | 1 | 5/P | | | | | | | | | R57 |
| 58 | D0-23905001 | MCR03EZPJ151 | 1 | 5/P | | | | | | | | | R58 |
| 59 | D0-23891001 | MCR03EZPJ101 | 1 | 5/P | | | | | | | | | R59 |
| 60 | D0-23891001 | MCR03EZPJ101 | 1 | 5/P | | | | | | | | | R60 |
| 61 | D0-23914001 | MCR03EZPJ220 | 1 | 5/P | | | | | | | | | R61 |
| 62 | D0-24719001 | MCR03EZPJ105 | 1 | 5/P | | | | | | | | | R62 |
| 63 | D0-23928001 | MCR03EZPJ472 | 1 | 5/P | | | | | | | | | R63 |
| 64 | D0-23928001 | MCR03EZPJ472 | 1 | 5/P | | | | | | | | | R64 |
| 67 | D0-23928001 | MCR03EZPJ472 | 1 | 5/P | | | | | | | | | R67 |
| 68 | D0-23928001 | MCR03EZPJ472 | 1 | 5/P | | | | | | | | | R68 |
| 69 | D0-23928001 | MCR03EZPJ472 | 1 | 5/P | | | | | | | | | R69 |
| 70 | D0-23928001 | MCR03EZPJ472 | 1 | 5/P | | | | | | | | | R70 |
| 71 | D0-23891001 | MCR03EZPJ101 | 1 | 5/P | | | | | | | | | R71 |
| 72 | D0-23891001 | MCR03EZPJ101 | 1 | 5/P | | | | | | | | | R72 |
| 73 | D0-23928001 | MCR03EZPJ472 | 1 | 5/P | | | | | | | | | R73 |
| 74 | D0-25602001 | MCR03EZPJ682 | 1 | 5/P | | | | | | | | | R74 |
| 75 | D0-23928001 | MCR03EZPJ472 | 1 | 5/P | | | | | | | | | R75 |
| 76 | D0-25602001 | MCR03EZPJ682 | 1 | 5/P | | | | | | | | | R76 |

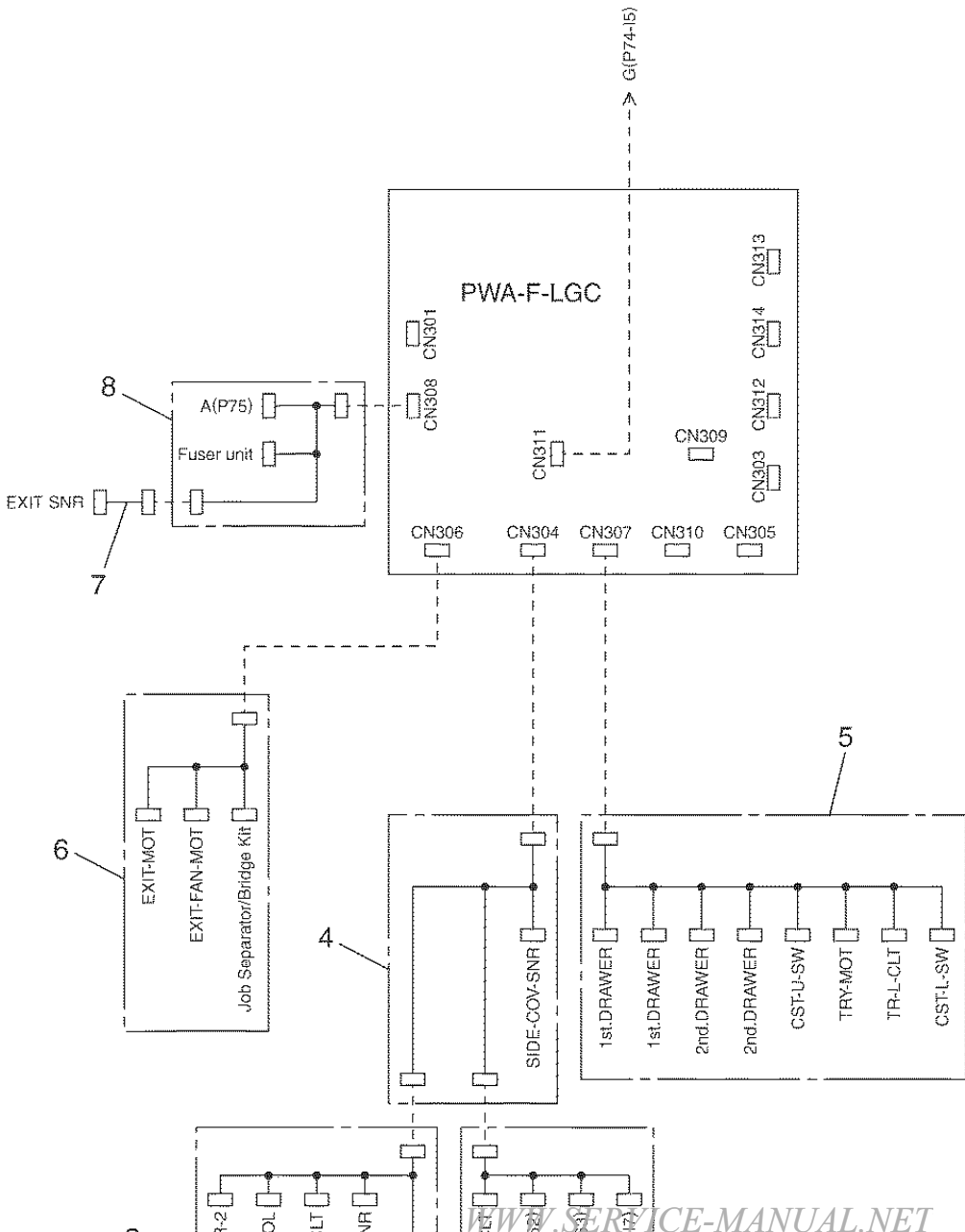
| | | | | | |
|-----|-------------|--------------|---|-----|------|
| 77 | DO-23928001 | MCR03EZPJ472 | 1 | 5/P | R77 |
| 78 | DO-25602001 | MCR03EZPJ682 | 1 | 5/P | R78 |
| 79 | DO-23928001 | MCR03EZPJ472 | 1 | 5/P | R79 |
| 80 | DO-25602001 | MCR03EZPJ682 | 1 | 5/P | R80 |
| 81 | DO-23928001 | MCR03EZPJ472 | 1 | 5/P | R81 |
| 82 | DO-25602001 | MCR03EZPJ682 | 1 | 5/P | R82 |
| 83 | DO-23928001 | MCR03EZPJ472 | 1 | 5/P | R83 |
| 84 | DO-25602001 | MCR03EZPJ682 | 1 | 5/P | R84 |
| 85 | DO-23928001 | MCR03EZPJ472 | 1 | 5/P | R85 |
| 86 | DO-25602001 | MCR03EZPJ682 | 1 | 5/P | R86 |
| 87 | DO-23928001 | MCR03EZPJ472 | 1 | 5/P | R87 |
| 88 | DO-25602001 | MCR03EZPJ682 | 1 | 5/P | R88 |
| 89 | DO-23928001 | MCR03EZPJ472 | 1 | 5/P | R89 |
| 90 | DO-25602001 | MCR03EZPJ682 | 1 | 5/P | R90 |
| 91 | DO-23928001 | MCR03EZPJ472 | 1 | 5/P | R91 |
| 92 | DO-25602001 | MCR03EZPJ682 | 1 | 5/P | R92 |
| 93 | DO-23928001 | MCR03EZPJ472 | 1 | 5/P | R93 |
| 94 | DO-25602001 | MCR03EZPJ682 | 1 | 5/P | R94 |
| 95 | DO-23928001 | MCR03EZPJ472 | 1 | 5/P | R95 |
| 96 | DO-25602001 | MCR03EZPJ682 | 1 | 5/P | R96 |
| 97 | DO-23928001 | MCR03EZPJ472 | 1 | 5/P | R97 |
| 98 | DO-25602001 | MCR03EZPJ682 | 1 | 5/P | R98 |
| 99 | DO-23928001 | MCR03EZPJ472 | 1 | 5/P | R99 |
| 100 | DO-25602001 | MCR03EZPJ682 | 1 | 5/P | R100 |
| 101 | DO-23928001 | MCR03EZPJ472 | 1 | 5/P | R101 |
| 102 | DO-25602001 | MCR03EZPJ682 | 1 | 5/P | R102 |
| 103 | DO-23928001 | MCR03EZPJ472 | 1 | 5/P | R103 |
| 104 | DO-25602001 | MCR03EZPJ682 | 1 | 5/P | R104 |
| 108 | DO-25110001 | MCR03EZPJ333 | 1 | 5/P | R108 |
| 109 | DO-23891001 | MCR03EZPJ101 | 1 | 5/P | R109 |
| 110 | DO-23891001 | MCR03EZPJ101 | 1 | 5/P | R110 |
| 111 | DO-23891001 | MCR03EZPJ101 | 1 | 5/P | R111 |
| 112 | DO-23891001 | MCR03EZPJ101 | 1 | 5/P | R112 |
| 113 | DO-23891001 | MCR03EZPJ101 | 1 | 5/P | R113 |
| 116 | DO-23928001 | MCR03EZPJ472 | 1 | 5/P | R116 |
| 117 | DO-23891001 | MCR03EZPJ101 | 1 | 5/P | R117 |
| 118 | DO-23914001 | MCR03EZPJ220 | 1 | 5/P | R118 |
| 119 | DO-23914001 | MCR03EZPJ220 | 1 | 5/P | R119 |
| 120 | DO-23914001 | MCR03EZPJ220 | 1 | 5/P | R120 |
| 121 | DO-23914001 | MCR03EZPJ220 | 1 | 5/P | R121 |
| 122 | DO-23928001 | MCR03EZPJ472 | 1 | 5/P | R122 |
| 123 | DO-23928001 | MCR03EZPJ472 | 1 | 5/P | R123 |
| 124 | DO-23928001 | MCR03EZPJ472 | 1 | 5/P | R124 |
| 125 | DO-23928001 | MCR03EZPJ472 | 1 | 5/P | R125 |
| 126 | DO-23928001 | MCR03EZPJ472 | 1 | 5/P | R126 |
| 128 | DO-23928001 | MCR03EZPJ472 | 1 | 5/P | R128 |
| 129 | DO-23928001 | MCR03EZPJ472 | 1 | 5/P | R129 |
| 130 | DO-23891001 | MCR03EZPJ101 | 1 | 5/P | R130 |
| 131 | DO-23928001 | MCR03EZPJ472 | 1 | 5/P | R131 |
| 132 | DO-23891001 | MCR03EZPJ101 | 1 | 5/P | R132 |
| 133 | DO-23891001 | MCR03EZPJ101 | 1 | 5/P | R133 |
| 136 | DO-23891001 | MCR03EZPJ101 | 1 | 5/P | R136 |
| 137 | DO-23891001 | MCR03EZPJ101 | 1 | 5/P | R137 |
| 138 | DO-23891001 | MCR03EZPJ101 | 1 | 5/P | R138 |
| 139 | DO-23891001 | MCR03EZPJ101 | 1 | 5/P | R139 |
| 140 | DO-23891001 | MCR03EZPJ101 | 1 | 5/P | R140 |
| 141 | DO-23891001 | MCR03EZPJ101 | 1 | 5/P | R141 |
| 142 | DO-23891001 | MCR03EZPJ101 | 1 | 5/P | R142 |
| 143 | DO-23891001 | MCR03EZPJ101 | 1 | 5/P | R143 |
| 144 | DO-23891001 | MCR03EZPJ101 | 1 | 5/P | R144 |
| 145 | DO-23891001 | MCR03EZPJ101 | 1 | 5/P | R145 |
| 146 | DO-23891001 | MCR03EZPJ101 | 1 | 5/P | R146 |
| 147 | DO-25608001 | MCR03EZPJ680 | 1 | 5/P | R147 |
| 148 | DO-25608001 | MCR03EZPJ680 | 1 | 5/P | R148 |
| 149 | DO-25608001 | MCR03EZPJ680 | 1 | 5/P | R149 |
| 150 | DO-25608001 | MCR03EZPJ680 | 1 | 5/P | R150 |
| 151 | DO-25608001 | MCR03EZPJ680 | 1 | 5/P | R151 |
| 152 | DO-25608001 | MCR03EZPJ680 | 1 | 5/P | R152 |
| 153 | DO-25608001 | MCR03EZPJ680 | 1 | 5/P | R153 |
| 154 | DO-25608001 | MCR03EZPJ680 | 1 | 5/P | R154 |
| 155 | DO-25608001 | MCR03EZPJ680 | 1 | 5/P | R155 |
| 156 | DO-25608001 | MCR03EZPJ680 | 1 | 5/P | R156 |
| 157 | DO-25608001 | MCR03EZPJ680 | 1 | 5/P | R157 |

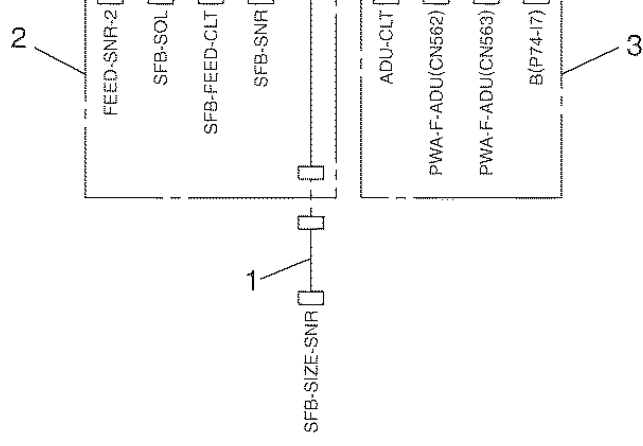
| | | | | | |
|-----|-------------|---------------|---|-----|------|
| 158 | D0-23891001 | MCR03EZPJ101 | 1 | 5/P | R158 |
| 159 | D0-23928001 | MCR03EZPJ472 | 1 | 5/P | R159 |
| 160 | D0-23893001 | MCR03EZPJ102 | 1 | 5/P | R160 |
| 161 | D0-23891001 | MCR03EZPJ101 | 1 | 5/P | R161 |
| 162 | D0-23928001 | MCR03EZPJ472 | 1 | 5/P | R162 |
| 163 | D0-19452001 | MCR03EZPF1001 | 1 | 5/P | R163 |
| 165 | D0-23895001 | MCR03EZPJ103 | 1 | 5/P | R165 |
| 166 | D0-25114001 | MCR03EZPJ392 | 1 | 5/P | R166 |
| 169 | D0-23891001 | MCR03EZPJ101 | 1 | 5/P | R169 |
| 170 | D0-23895001 | MCR03EZPJ103 | 1 | 5/P | R170 |
| 171 | D0-23895001 | MCR03EZPJ103 | 1 | 5/P | R171 |
| 172 | D0-23895001 | MCR03EZPJ103 | 1 | 5/P | R172 |
| 173 | D0-23895001 | MCR03EZPJ103 | 1 | 5/P | R173 |
| 174 | D0-23887001 | MCR03EZPJ000 | 1 | 5/P | R174 |
| 175 | D0-23891001 | MCR03EZPJ101 | 1 | 5/P | R175 |
| 176 | D0-23939001 | MCR03EZPJ750 | 1 | 5/P | R176 |
| 177 | D0-23928001 | MCR03EZPJ472 | 1 | 5/P | R177 |
| 178 | D0-25114001 | MCR03EZPJ392 | 1 | 5/P | R178 |
| 179 | D0-23928001 | MCR03EZPJ472 | 1 | 5/P | R179 |
| 180 | D0-23928001 | MCR03EZPJ472 | 1 | 5/P | R180 |
| 181 | D0-23928001 | MCR03EZPJ472 | 1 | 5/P | R181 |
| 182 | D0-23928001 | MCR03EZPJ472 | 1 | 5/P | R182 |
| 183 | D0-23928001 | MCR03EZPJ472 | 1 | 5/P | R183 |
| 184 | D0-23917001 | MCR03EZPJ223 | 1 | 5/P | R184 |
| 185 | D0-23917001 | MCR03EZPJ223 | 1 | 5/P | R185 |
| 186 | D0-23917001 | MCR03EZPJ223 | 1 | 5/P | R186 |
| 187 | D0-23917001 | MCR03EZPJ223 | 1 | 5/P | R187 |
| 188 | D0-23917001 | MCR03EZPJ223 | 1 | 5/P | R188 |
| 189 | D0-23928001 | MCR03EZPJ472 | 1 | 5/P | R189 |
| 190 | D0-23928001 | MCR03EZPJ472 | 1 | 5/P | R190 |
| 191 | D0-23917001 | MCR03EZPJ223 | 1 | 5/P | R191 |
| 192 | D0-23917001 | MCR03EZPJ223 | 1 | 5/P | R192 |
| 199 | D0-23928001 | MCR03EZPJ472 | 1 | 5/P | R199 |
| 200 | D0-23928001 | MCR03EZPJ472 | 1 | 5/P | R200 |
| 201 | D0-23928001 | MCR03EZPJ472 | 1 | 5/P | R201 |
| 202 | D0-23928001 | MCR03EZPJ472 | 1 | 5/P | R202 |
| 203 | D0-23928001 | MCR03EZPJ472 | 1 | 5/P | R203 |
| 204 | D0-23917001 | MCR03EZPJ223 | 1 | 5/P | R204 |
| 205 | D0-23917001 | MCR03EZPJ223 | 1 | 5/P | R205 |
| 206 | D0-23917001 | MCR03EZPJ223 | 1 | 5/P | R206 |
| 207 | D0-23917001 | MCR03EZPJ223 | 1 | 5/P | R207 |
| 208 | D0-23917001 | MCR03EZPJ223 | 1 | 5/P | R208 |
| 218 | D0-23891001 | MCR03EZPJ101 | 1 | 5/P | R218 |
| 219 | D0-23891001 | MCR03EZPJ101 | 1 | 5/P | R219 |
| 220 | D0-23891001 | MCR03EZPJ101 | 1 | 5/P | R220 |
| 221 | D0-23891001 | MCR03EZPJ101 | 1 | 5/P | R221 |
| 222 | D0-23891001 | MCR03EZPJ101 | 1 | 5/P | R222 |
| 223 | D0-23891001 | MCR03EZPJ101 | 1 | 5/P | R223 |
| 224 | D0-23891001 | MCR03EZPJ101 | 1 | 5/P | R224 |
| 225 | D0-23891001 | MCR03EZPJ101 | 1 | 5/P | R225 |
| 226 | D0-23891001 | MCR03EZPJ101 | 1 | 5/P | R226 |
| 227 | D0-23891001 | MCR03EZPJ101 | 1 | 5/P | R227 |
| 228 | D0-23891001 | MCR03EZPJ101 | 1 | 5/P | R228 |
| 229 | D0-23891001 | MCR03EZPJ101 | 1 | 5/P | R229 |
| 230 | D0-23891001 | MCR03EZPJ101 | 1 | 5/P | R230 |
| 231 | D0-23891001 | MCR03EZPJ101 | 1 | 5/P | R231 |
| 232 | D0-23891001 | MCR03EZPJ101 | 1 | 5/P | R232 |
| 233 | D0-23891001 | MCR03EZPJ101 | 1 | 5/P | R233 |
| 234 | D0-23928001 | MCR03EZPJ472 | 1 | 5/P | R234 |
| 235 | D0-23928001 | MCR03EZPJ472 | 1 | 5/P | R235 |
| 236 | D0-23928001 | MCR03EZPJ472 | 1 | 5/P | R236 |
| 237 | D0-23891001 | MCR03EZPJ101 | 1 | 5/P | R237 |
| 238 | D0-23928001 | MCR03EZPJ472 | 1 | 5/P | R238 |
| 239 | D0-23891001 | MCR03EZPJ101 | 1 | 5/P | R239 |
| 240 | D0-23928001 | MCR03EZPJ472 | 1 | 5/P | R240 |
| 241 | D0-23928001 | MCR03EZPJ472 | 1 | 5/P | R241 |
| 242 | D0-23928001 | MCR03EZPJ472 | 1 | 5/P | R242 |
| 243 | D0-23891001 | MCR03EZPJ101 | 1 | 5/P | R243 |
| 244 | D0-23891001 | MCR03EZPJ101 | 1 | 5/P | R244 |
| 245 | D0-23889001 | MCR03EZPJ100 | 1 | 5/P | R245 |
| 246 | D0-23928001 | MCR03EZPJ472 | 1 | 5/P | R246 |
| 247 | D0-23916001 | MCR03EZPJ222 | 1 | 5/P | R247 |
| 248 | D0-23928001 | MCR03EZPJ472 | 1 | 5/P | R248 |

| | | | | | | | | | | | |
|-------|-------------|-------------------------------|---|-----|--|---|---|---|---------|-----------|------|
| 331 | D0-23889001 | MCR03EZPJ100 | 1 | 5/P | | | | | | | R331 |
| 357 | D0-19452001 | MCR03EZPFX1001 | 1 | 5/P | | | | | | | R357 |
| 358 | D0-23887001 | MCR03EZPJ000 | 1 | 5/P | | | | | | | R358 |
| 400 | D0-23891001 | MCR03EZPJ101 | 1 | 5/P | | | | | | | R400 |
| 401 | D0-23895001 | MCR03EZPJ103 | 1 | 5/P | | | | | | | R401 |
| 402 | D0-23895001 | MCR03EZPJ103 | 1 | 5/P | | | | | | | R402 |
| 403 | D0-23891001 | MCR03EZPJ101 | 1 | 5/P | | | | | | | R403 |
| 404 | D0-23928001 | MCR03EZPJ472 | 1 | 5/P | | | | | | | R404 |
| 405 | D0-23928001 | MCR03EZPJ472 | 1 | 5/P | | | | | | | R405 |
| 406 | D0-23895001 | MCR03EZPJ103 | 1 | 5/P | | | | | | | R406 |
| 407 | D0-23891001 | MCR03EZPJ101 | 1 | 5/P | | | | | | | R407 |
| 510 | D0-23891001 | MCR03EZPJ101 | 1 | 5/P | | | | | | | R510 |
| 511 | D0-23891001 | MCR03EZPJ101 | 1 | 5/P | | | | | | | R511 |
| 600 | D0-23891001 | MCR03EZPJ101 | 1 | 5/P | | | | | | | R600 |
| 601 | D0-23928001 | MCR03EZPJ472 | 1 | 5/P | | | | | | | R601 |
| 602 | D0-23928001 | MCR03EZPJ472 | 1 | 5/P | | | | | | | R602 |
| 800 | D0-19453001 | MCR03EZPFX1002 | 1 | 5/P | | | | | | | R800 |
| 801 | D0-19453001 | MCR03EZPFX1002 | 1 | 5/P | | | | | | | R801 |
| 802 | D0-19453001 | MCR03EZPFX1002 | 1 | 5/P | | | | | | | R802 |
| 803 | D0-19453001 | MCR03EZPFX1002 | 1 | 5/P | | | | | | | R803 |
| 851 | E0-07026001 | 26FMN-BMTTN-A-TFT (LF)(SN) | 1 | 5/P | | | | | | | CN1 |
| 852 | E0-06752000 | B06B-CZHK-B-1(LF) | 1 | 5/P | | | | | | To: 852-1 | CN2 |
| 852-1 | E0-10611000 | B06B-CZHK-B-1(LF) (SN)(V) | 1 | 5/P | | C | - | J | G07A565 | From: 852 | CN2 |
| 854 | E0-08391000 | HU5-20OPNA- S53TD20-FA | 1 | 5/P | | | | | | | CN4 |
| 856 | E0-07222000 | B14B-XASK-1 (LF) | 1 | 5/P | | | | | | To: 856-1 | CN6 |
| 856-1 | E0-10691000 | B14B-XASK-1(LF)(SN) | 1 | 5/P | | C | - | J | G07A565 | From: 856 | CN6 |
| 857 | E0-06780000 | B10B-PHDSS (LF) | 1 | 5/P | | | | | | To: 857-1 | CN7 |
| 857-1 | E0-08796000 | B10B-PHDSS (LF)(SN) | 1 | 5/P | | C | E | J | G06K417 | From: 857 | CN7 |
| 858 | E0-09167000 | TX25-80P-LT-N1E | 1 | 5/P | | | | | | | CN8 |
| 859 | E0-06588000 | 05FE-BT-VK-N | 1 | 5/P | | | | | | | CN9 |
| 860 | E0-06766000 | B18B-CZWHK-B-1 (LF) | 1 | 5/P | | | | | | To: 860-1 | CN10 |
| 860-1 | E0-10618000 | B18B-CZWHK-B-1 (LF) (SN) | 1 | 5/S | | C | - | J | G07A565 | From: 860 | CN10 |
| 869 | E0-10043000 | B06B-XAYK-1 (LF)(SN) | 1 | 5/P | | | | | | | CN19 |
| 872 | E0-08389000 | DHB-PA34-R13NNA-FA | 1 | 1/P | | | | | | | CN22 |
| 901 | D0-04472001 | BLM41PG181SN1L | 1 | 1/P | | | | | | | FB1 |
| 951 | D0-23846001 | SG-8002JC-20M-PCBL | 1 | 5/S | | | | | | | X1 |
| 952 | D0-23843001 | MA-406-22M-8/50 | 1 | 1/D | | | | | | | X2 |

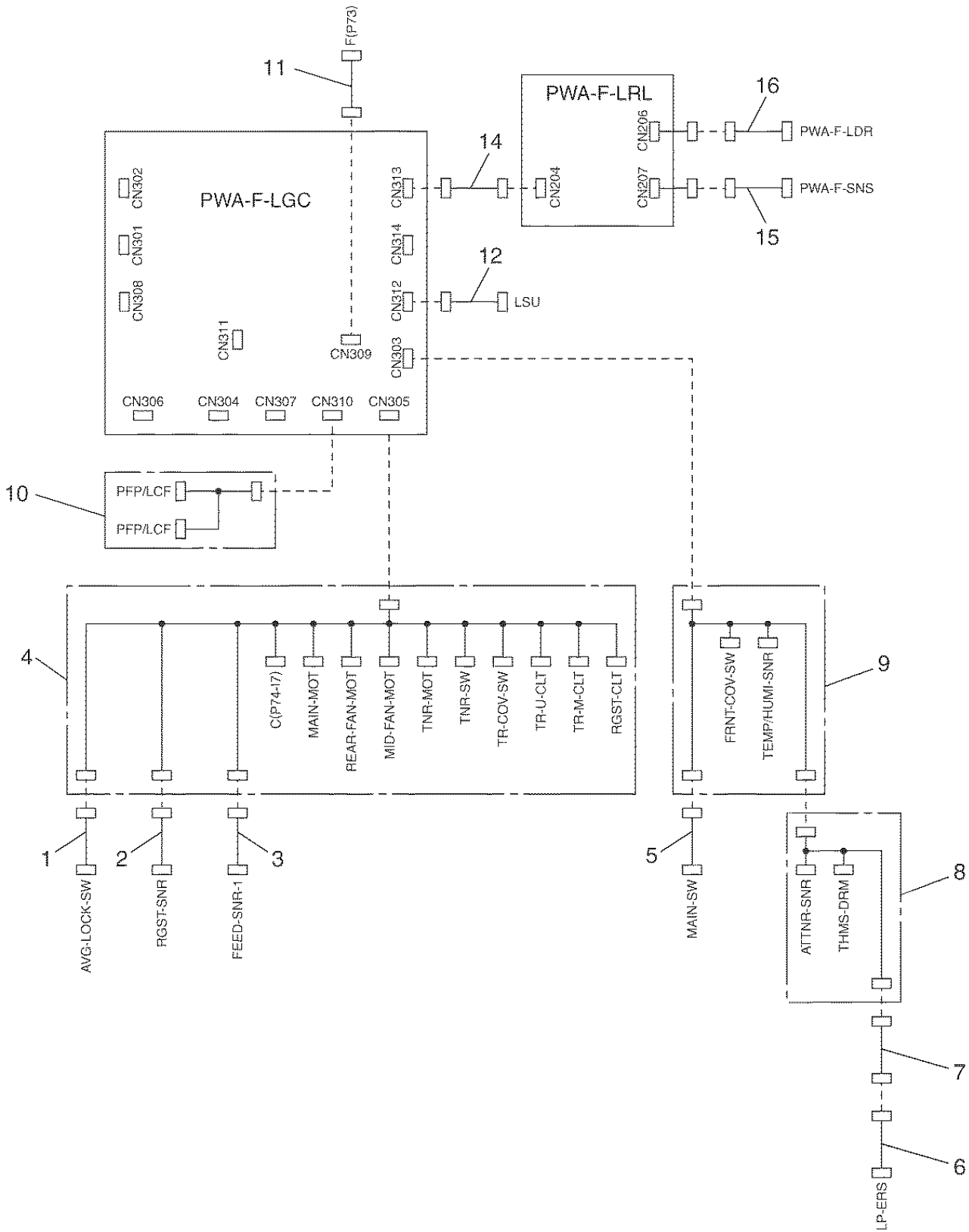


| Item No. | Parts No. | Parts Name | QTY/ Unit | QTY/ Pack | Part remarks | Catg. | Serial No. | P | I | R | BSI No. | Change | PC Board |
|----------|-------------|-------------------|-----------|-----------|--------------|-------|------------|---|---|---|---------|--------|----------|
| 1 | 6LA89429000 | HRNS-SFB-SIZE-371 | 1 | 1/P | | | | | | | | | |
| 2 | 6LE88065000 | HRNS-SFB-377 | 1 | 1/P | | | | | | | | | |
| 3 | 6LA89431000 | HRNS-ADU-371 | 1 | 1/P | | | | | | | | | |
| 4 | 6LE88063000 | HRNS-LGC-ADU-377 | 1 | 1/P | | | | | | | | | |
| 5 | 6LA89409000 | HRNS-LGC-FEDU-371 | 1 | 1/P | | | | | | | | | |
| 6 | 6LE88061000 | HRNS-LGC-EXIT-377 | 1 | 1/P | | | | | | | | | |
| 7 | 6LA89425000 | HRNS-EXIT-371 | 1 | 1/P | | | | | | | | | |
| 8 | 6LE88060000 | HRNS-LGC-HVPS-377 | 1 | 1/P | | | | | | | | | |
| 9 | 6LA89402000 | HRNS-LGC-CTR-371 | 1 | 1/P | | | | | | | | | |

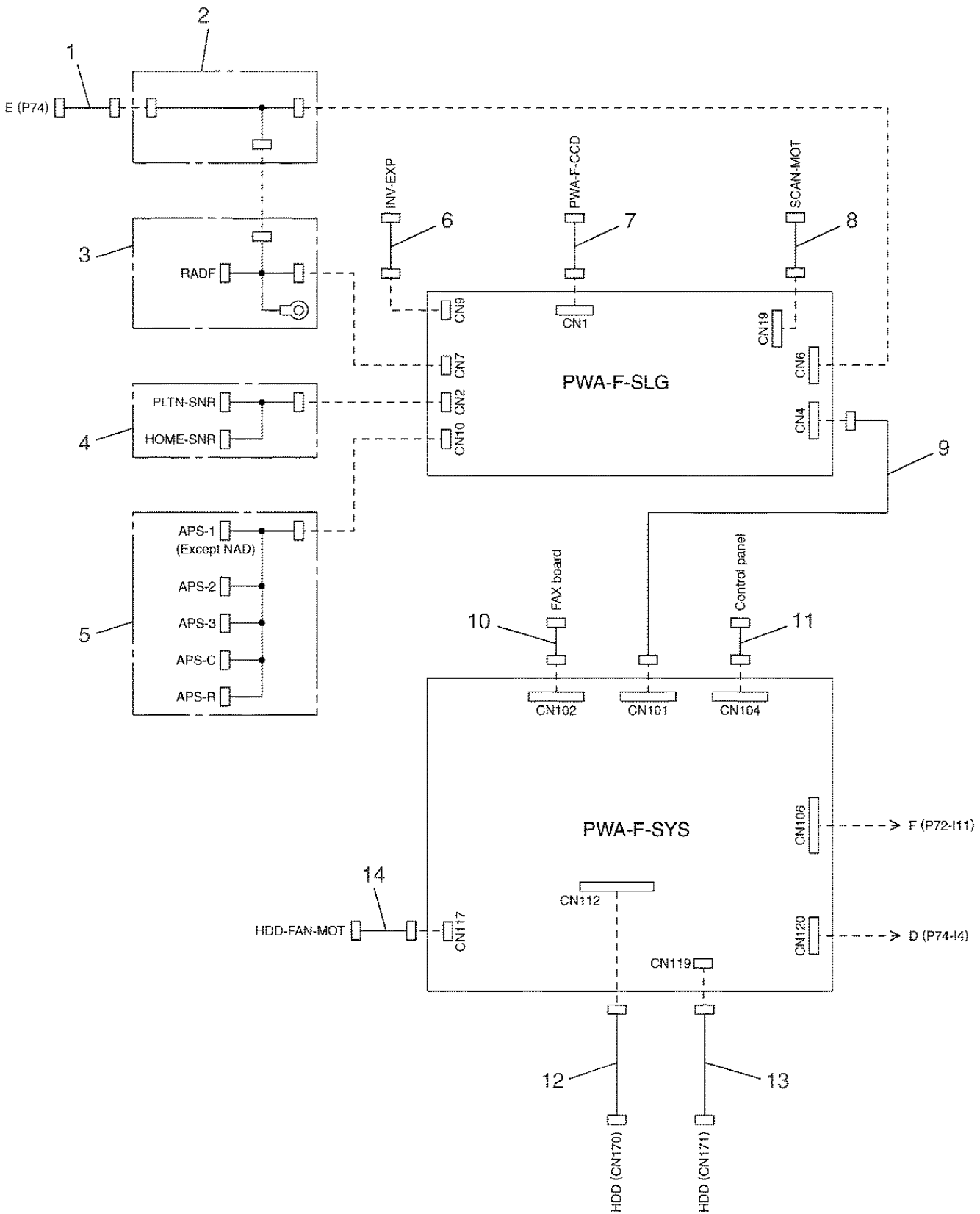




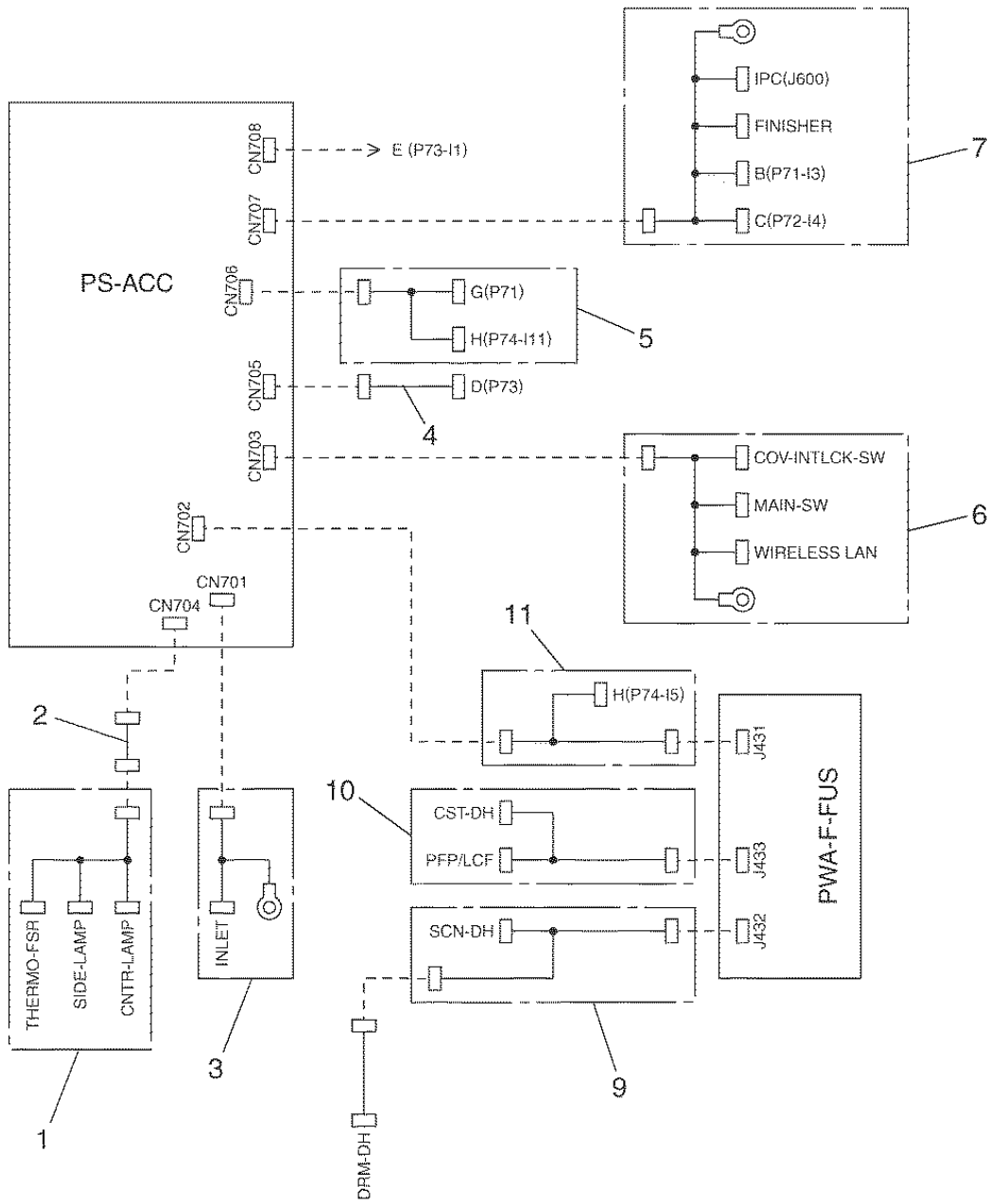
| Item No. | Parts No. | Parts Name | QTY/ Unit | QTY/ Pack | Part remarks | Catg. | Serial No. | P | I | R | BSI No. | Change | PC Board |
|----------|-------------|---------------------|-----------|-----------|---|-------|------------|---|---|---|---------|----------|----------|
| 1 | 6LA89461000 | HRNS-TNR-FULL-371 | 1 | 1/P | | | | | | | | | |
| 2 | 6LA89455000 | HRNS-RGT-SW-371 | 1 | 1/P | | | | | | | | | |
| 3 | 6LA89456000 | HRNS-1STFED-SW-371 | 1 | 1/P | | | | | | | | | |
| 4 | 6LE88062000 | HRNS-LGC-MOT-377 | 1 | 1/P | | | | | | | | | |
| 5 | 6LA89487000 | HRNS-RSTSW-371 | 1 | 1/P | | | | | | | | | |
| 6 | 6LA89452000 | HRNS-DLE-371 | 1 | 1/C | | | | | | | | | |
| 7 | 6LE88066000 | HRNS-DLE2-377 | 1 | 1/P | | | | | | | | | |
| 8 | 6LE88064000 | HRNS-ATS-377 | 1 | 1/P | | | | | | | | | |
| 9A | 6LA89404000 | HRNS-LGC-FRT-371 | 1 | 1/P | e-STUDIO232 | | | | | | | To: 9A-1 | |
| 9A-1 | 6LA89404000 | HRNS-LGC-FRT-371 | 1 | 1/P | e-STUDIO232/233 | | | - | - | - | G07J184 | From: 9A | |
| 9B | 6LA89469000 | HRNS-LGC-FRT-372 | 1 | 1/P | e-STUDIO282 | | | | | | | To: 9B-1 | |
| 9B-1 | 6LA89469000 | HRNS-LGC-FRT-372 | 1 | 1/P | e-STUDIO282/283 | | | - | - | - | G07J184 | From: 9B | |
| 10A | 6LA89412000 | HRNS-LGC-PFP-371 | 1 | 1/P | NAD MJD AUD ASD ASU SAD KRD CND ARD | | | | | | | | |
| 10B | 6LA89485000 | HRNS-LGC-PFP-371TWD | 1 | 1/P | TWD | | | | | | | | |
| 11 | 6LA89411000 | HRNS-LGC-SYS-371 | 1 | 1/P | | | | | | | | | |
| 12 | 6LE88057000 | HRNS-LGC-POL-377 | 1 | 1/P | | | | | | | | | |
| 13 | 6LA89447000 | HRNS-POL-371 | 1 | 1/P | | | | | | | | | |
| 14 | 6LA89414000 | HRNS-LGC-LDR-371 | 1 | 1/P | | | | | | | | | |
| 15 | 6LA89446000 | HRNS-SNS-371 | 1 | 1/P | | | | | | | | | |
| 16 | 6LA71345000 | HRNS-LDR-360 | 1 | 1/P | | | | | | | | | |



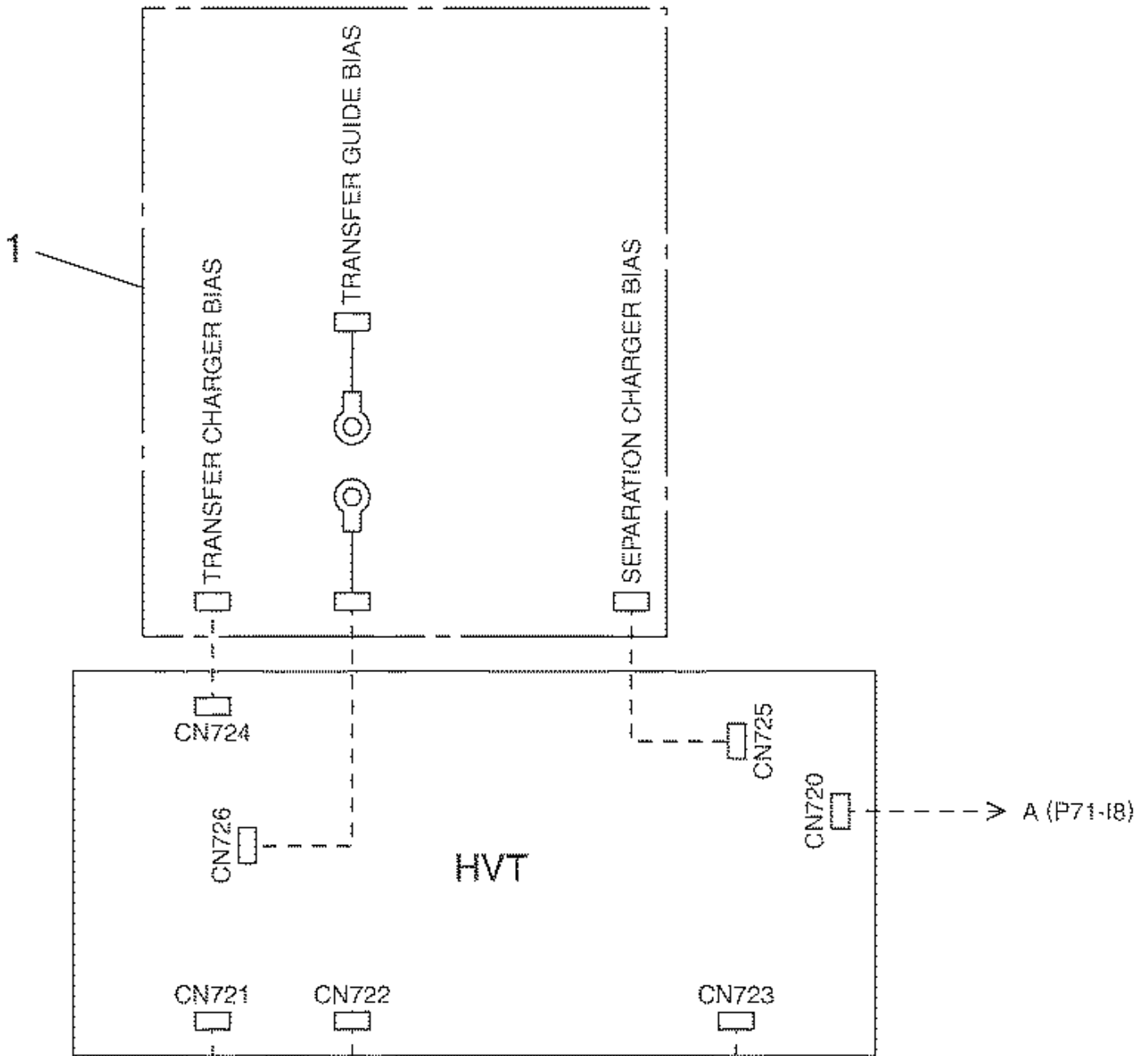
| Item No. | Parts No. | Parts Name | QTY/ Unit | QTY/ Pack | Part remarks | Catg. | Serial No. | P | I | R | BSI No. | Change | PC Board |
|----------|-------------|--------------------|-----------|-----------|---|-------|------------|---|---|---|---------|----------------------|----------|
| 1 | 6LA89421000 | HRNS-PWR-SLG-371 | 1 | 1/P | | | | | | | | | |
| 2 | 6LA89466000 | HRNS-SLG-SPLY-371 | 1 | 1/P | | | | | | | | | |
| 3 | 6LA89468000 | HRNS-ADF-371 | 1 | 1/P | | | | | | | | | |
| 4 | 6LA71384000 | HRNS-SNSR-SCN-360 | 1 | 1/P | | | | | | | | | |
| 5A | 6LA71450000 | HRNS-APS-A-360 | 1 | 1/P | MJD AUD ASD ASU SAD TWD KRD CND ARD | | | | | | | | |
| 5B | 6LA71449000 | HRNS-APS-L-360 | 1 | 1/P | NAD | | | | | | | | |
| 6 | 6LA71382000 | HRNS-INV-360 | 1 | 1/C | | | | | | | | | |
| 7 | 6LA71418000 | HRNS-CCD-360 | 1 | 1/KP | | | | | | | | | |
| 7A | 6LE78278000 | HRNS-CCD-364 | 1 | 1/KP | NAD MJD AUD ASD ASU SAD KRD CND ARD | | | | | | | | |
| 7B | 6LA67630000 | ASYS-HRNS-CCD-TWD | 1 | 1/KP | TWD | | | | | | | | |
| 8 | 6LA71386000 | HRNS-SCN-MOT-360 | 1 | 1/P | | | | | | | | | |
| 9 | 6LE88053000 | HRNS-SLG-SYS-377 | 1 | 1/P | | | | | | | | | |
| 10 | 6LE49426000 | HRNS-FAX-410 | 1 | 1/P | | | | | | | | | |
| 11A | 6LA89432000 | HRNS-SYS-OPE-371 | 1 | 1/P | NAD MJD AUD ASD ASU SAD KRD CND ARD | | | | | | | | |
| 11B | 6LA89483000 | HRNS-SYS-OPE-371 | 1 | 1/P | TWD | | | | | | | | |
| 12 | 6LA89489000 | HRNS-HDD-SIG-371 | 1 | 1/P | | | | | | | | | |
| 12-1 | 6LA89491000 | HRNS-HDD-SIG_N-371 | 1 | 1/P | | | | C | E | J | G07G038 | To: 12-1 From: 12 | |
| 13 | 6LE88052000 | HRNS-HDD-POW-377 | 1 | 1/P | | | | | | | | | |
| 14 | 6LE88059000 | HRNS-SYS-FAN-377 | 1 | 1/P | | | | | | | | | |



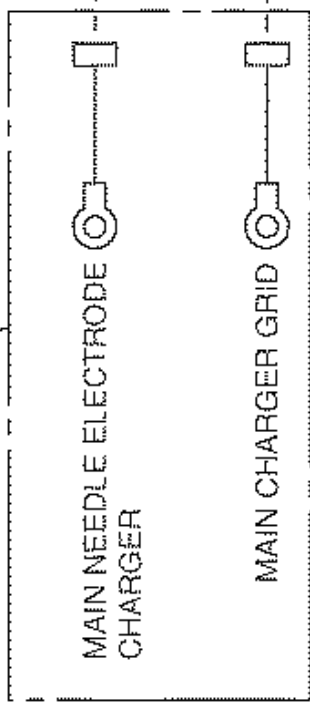
| Item No. | Parts No. | Parts Name | QTY/ Unit | QTY/ Pack | Part remarks | Catg. | Serial No. | P | I | R | BSI No. | Change | PC Board |
|----------|-------------|--------------------------|--------------|--------------|---|-------|------------|---|---|---|---------|--------|----------|
| 1 | 6LA89443000 | HRNS-LP-ACIN2-371 | 1 | 1/P | | | | | | | | | |
| 2 | 6LA89439000 | HRNS-LP-ACIN-371 | 1 | 1/P | | | | | | | | | |
| 3 | 6LA89437000 | HRNS-INLT-371 | 1 | 1/P | | | | | | | | | |
| 4A | 6LA89474000 | HRNS-PWR-SYS-371 | 1 | 1/P | NAD MJD AUD ASD ASU SAD KRD CND ARD | | | | | | | | |
| 4B | 6LE88071000 | HRNS-PWR-SYS-377- TWD | 1 | 1/P | TWD | | | | | | | | |
| 5 | 6LA89417000 | HRNS-PWR-LGC-371 | 1 | 1/P | | | | | | | | | |
| 6 | 6LE88050000 | HRNS-MAIN-SW-377 | 1 | 1/P | | | | | | | | | |
| 7A | 6LE88067000 | HRNS-PWR-FIN-377-W | 1 | 1/P | NAD MJD AUD ASD ASU SAD KRD CND ARD | | | | | | | | |
| 7B | 6LE88072000 | HRNS-PWR-FIN-377- TWD | 1 | 1/P | TWD | | | | | | | | |
| 8 | 6LA89444000 | HRNS-D/H-DRM-371 | 1 | 1/P | | | | | | | | | |
| 9 | 6LA89442000 | HRNS-D/H-371 | 1 | 1/P | | | | | | | | | |
| 10 | 6LA89441000 | HRNS-D/H-CST-371 | 1 | 1/P | | | | | | | | | |
| 11 | 6LA89440000 | HRNS-FUSE-371 | 1 | 1/P | AUD ASD ASU SAD KRD CND ARD TWD | | | | | | | | |



| Item No. | Parts No. | Parts Name | QTY/Unit | QTY/Pack | Part remarks | Catg. | Serial No. | P | I | R | BSI No. | Change | PC Board |
|----------|-------------|------------------|----------|----------|--------------|-------|------------|---|---|---|---------|--------|----------|
| 1 | 6LA89434000 | HRNS-HVT-TCH-371 | 1 | 1/P | | | | | | | | | |
| 2 | 6LA89435000 | HRNS-HVT-MG-371 | 1 | 1/P | | | | | | | | | |
| 3 | 6LA89436000 | HRNS-HVT-DEV-371 | 1 | 1/P | | | | | | | | | |



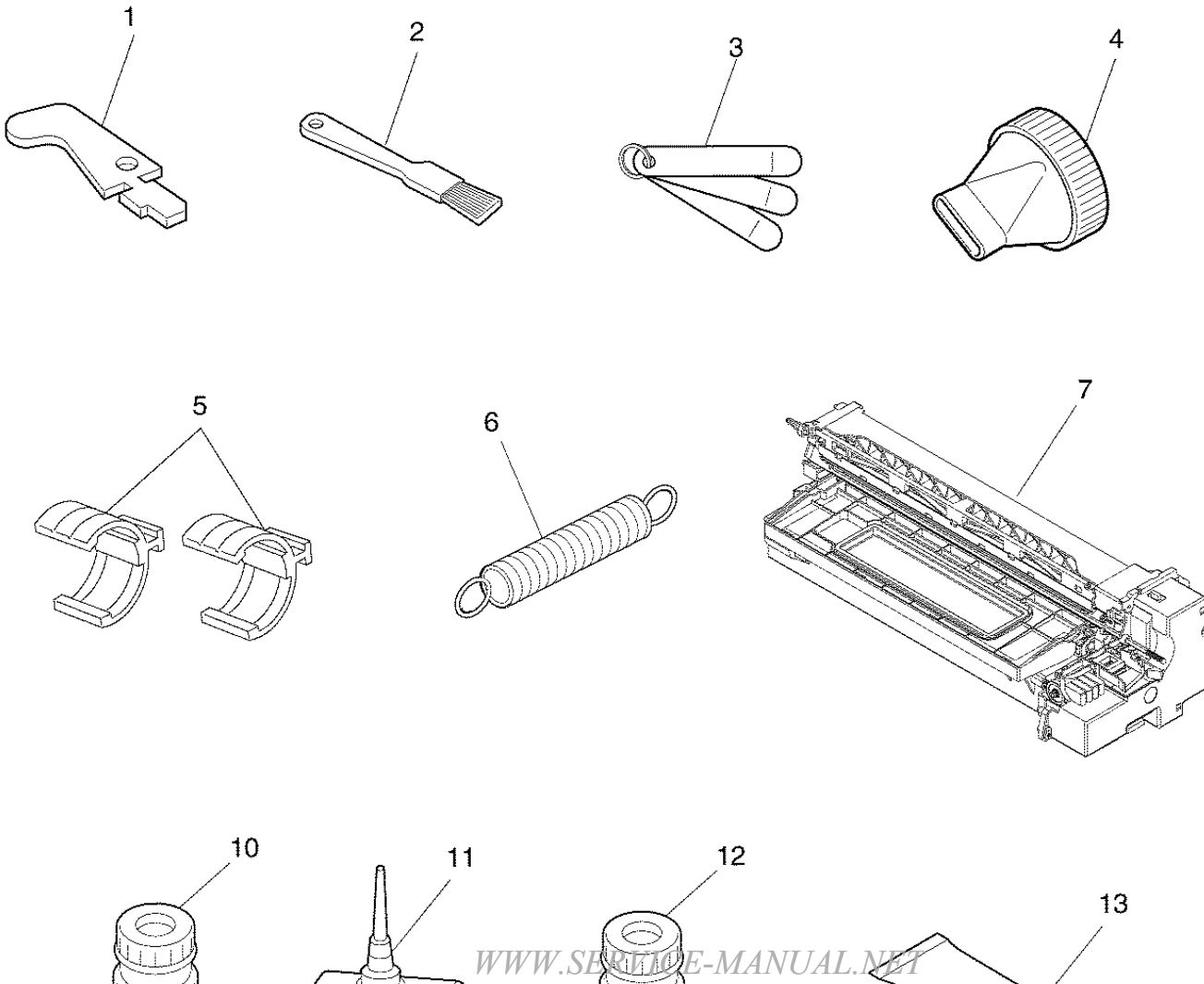
2

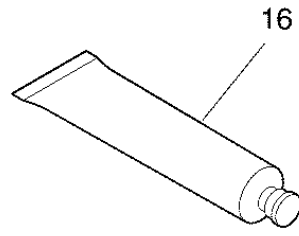
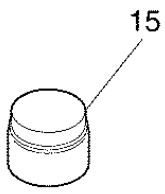
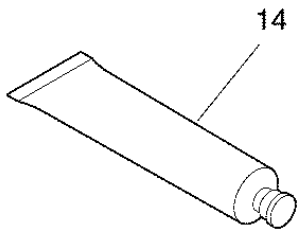
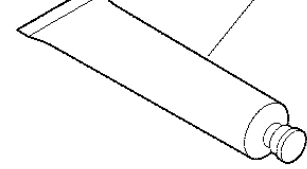
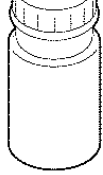
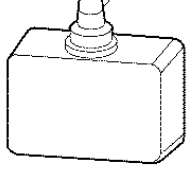
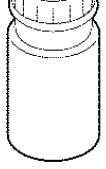


3

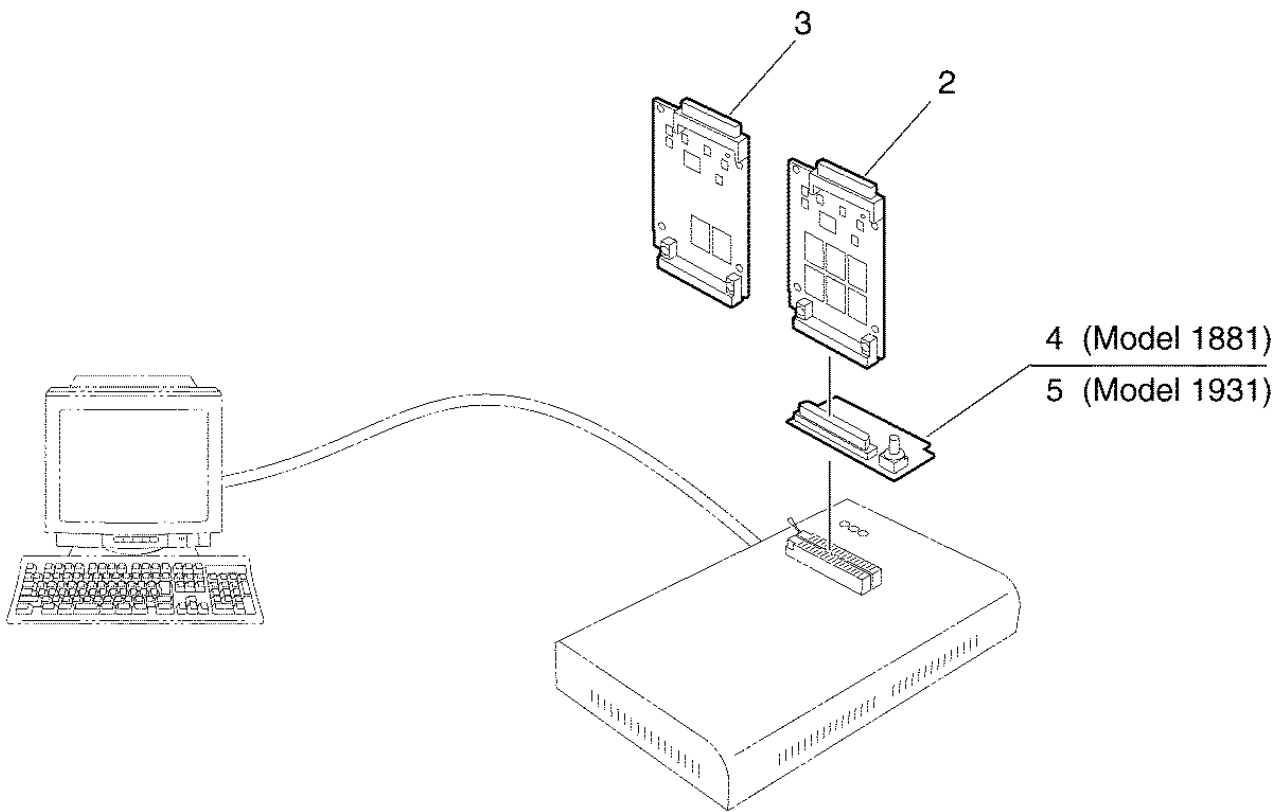
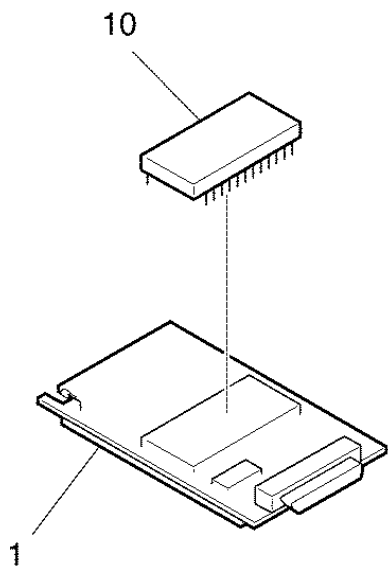
Unrecognized MIME type (text/html;charset=utf-8), click [here](#) to view

| Item No. | Parts No. | Parts Name | QTY/ Unit | QTY/ Pack | Part remarks | Catg. | Serial No. | P | I | R | BSI No. | Change | PC Board |
|----------|-------------|----------------------|-----------|-----------|------------------------------|-------|------------|---|---|---|---------|----------------------|----------|
| 1 | 4407915730 | JIG-SW-F-COV | 1 | 1/P | | | | | | | | | |
| 2 | 4407915710 | BRUSH-33 | 1 | 1/P | | | | | | | | | |
| 3 | 4402048100 | ASM-JIG-DOC-180 | 1 | 1/P | | | | | | | | | |
| 4 | 4407914000 | NOZZLE-BOTTLE | 1 | 1/P | | | | | | | | | |
| 5 | 6LA01757000 | HOLDER-WIRE-SCAN | 2 | 1/P | | | | | | | | | |
| 6 | 44202661000 | SPE-MOT-TNS | 1 | 1/P | | | | | | | | | |
| 7 | 6LA91605000 | ASY-PU-TOOL-F371 | 1 | 1/C | High-Voltage measurement jig | | | | | | | | |
| 10 | 4407933080 | ASM-SILICONE-1M | 1 | 1/P | Silicon Oil | | | | | | | | |
| 11 | 4842512170 | OIL-LAUNA40-100 | 1 | 1/P | LAUNA40 100cc | | | | | | | | |
| 12A | 41303709000 | ASM-PG-HP300-S | 1 | 1/D | White grease 100g | | | | | | | | |
| 12B | 6LA00019000 | GREASE-HP300-S | 1 | 1/P | White grease 10g | | | | | | | | |
| 13 | 41303711000 | ASM-PG-ALV2 | 1 | 1/P | Alvania No.2 | | | | | | | | |
| 14 | 4400545160 | MOLYKOTE-100 | 1 | 1/C | | | | | | | | | |
| 14-1 | 6LE36904000 | MOLYKOTE_EM-30L_100G | 1 | 1/P | | | | C | B | J | G07K321 | To: 14-1 From: 14 | |
| 15 | 41303710000 | ASM-PG-GE334C-S | 1 | 1/C | | | | | | | | | |





| Item No. | Parts No. | Parts Name | QTY/ Unit | QTY/ Pack | Part remarks | Catg. | Serial No. | P | I | R | BSI No. | Change | PC Board |
|----------|-------------|---------------------|-----------|-----------|---|-------|------------|---|---|---|---------|-------------|----------|
| 1 | 44205829000 | K-PWA-DLM-320 | 1 | 1/C | | | | | | | | | |
| 2 | 6LA41995000 | PWA-DWNLD-350-JIG2 | 1 | 1/SB | | | | | | | | | |
| 3 | 6LA41994000 | PWA-DWNLD-350-JIG1 | 1 | 1/SB | | | | | | | | | |
| 4 | 6LA41996000 | PWA-DL-ADP-350-1881 | 1 | 1/S | | | | | | | | | |
| 5 | 6LA41997000 | PWA-DL-ADP-350-1931 | 1 | 1/C | | | | | | | | | |
| 10 | CO-04530000 | M27C4001-10F1 | 1 | 1/S | | | | | | | | | |
| 11 | 6LE88453000 | WRROM-T377M-01 | 1 | 1/S | Engine ROM | | | A | - | J | G06F983 | To: 11B | |
| 11A | 6LE88453000 | WRROM-T377M-01 | 1 | 1/S | Engine ROM-CND KRD.TWD | | | - | - | - | G06J385 | To: 11A-1 | |
| 11A-1 | 6LE88458000 | WRROM-T377M-02 | 1 | 1/S | Engine ROM-CND KRD.TWD | | | C | B | J | G07A587 | To: 11A-2 | |
| 11A-2 | 6LE88460000 | WRROM-T377M-04 | 1 | 1/S | Engine ROM-CND KRD.TWD | | | C | B | J | G07K329 | From: 11A-1 | |
| 11B | 6LE88458000 | WRROM-T377M-02 | 1 | 1/S | Engine ROM-NAD MJD SAD ASD AUD ASU ARD | | | C | B | J | G06J385 | To: 11B-1 | |
| 11B-1 | 6LE88460000 | WRROM-T377M-04 | 1 | 1/S | Engine ROM-NAD MJD SAD ASD AUD ASU ARD | | | C | B | J | G07F904 | From: 11B | |
| 12 | 6LE88457000 | WRROM-T377S-02 | 1 | 1/S | Scanner ROM | | | A | - | J | G06F983 | To: 12B | |
| 12A | 6LE88457000 | WRROM-T377S-02 | 1 | 1/S | Scanner ROM-CND KRD TWD | | | - | - | - | G06J385 | To: 12A-1 | |
| 12A-1 | 6LE88459000 | WRROM-T377S-03 | 1 | 1/S | Scanner ROM-CND KRD TWD | | | C | B | J | G07A587 | From: 12A | |
| 12B | 6LE88459000 | WRROM-T377S-03 | 1 | 1/S | Scanner ROM-NAD MJD SAD ASD AUD ASU ARD | | | C | B | J | G06J385 | From: 12 | |

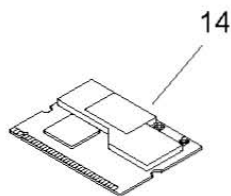
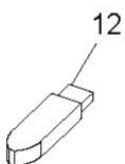
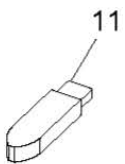
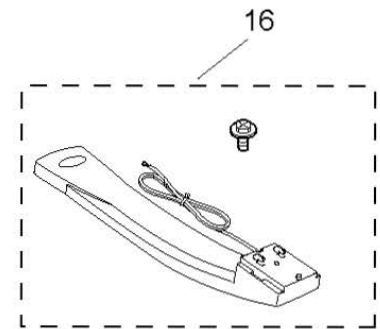
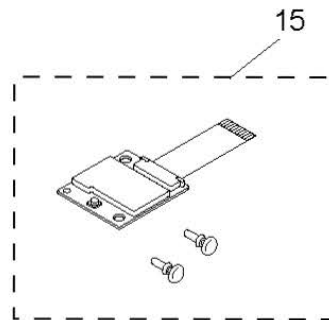
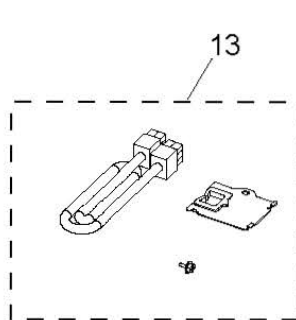
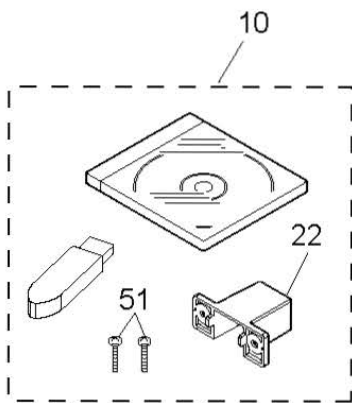
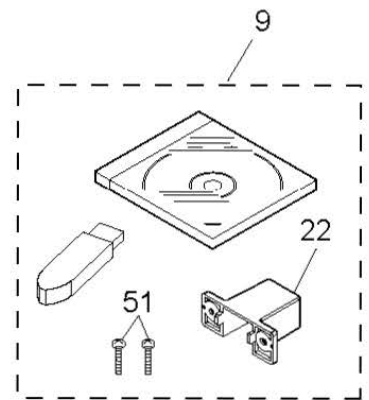
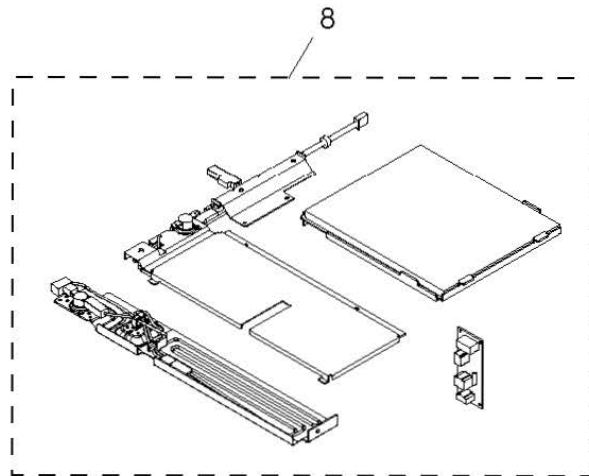
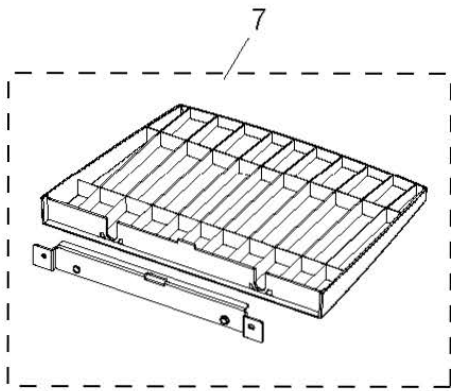
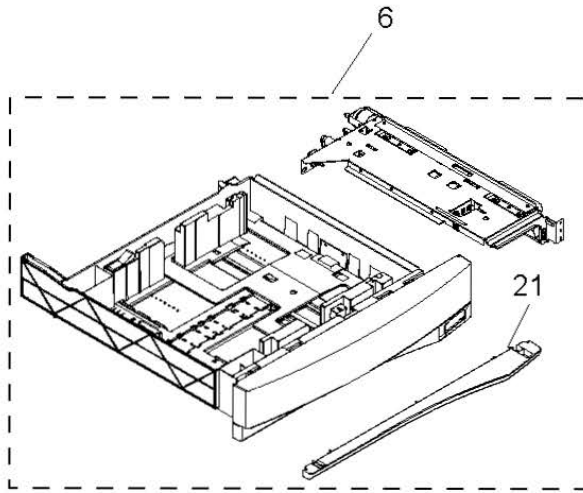
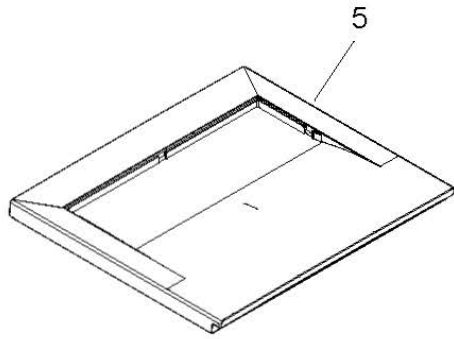
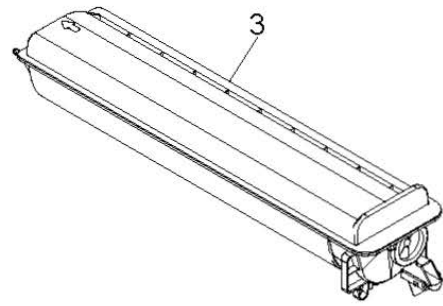
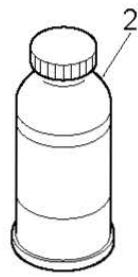
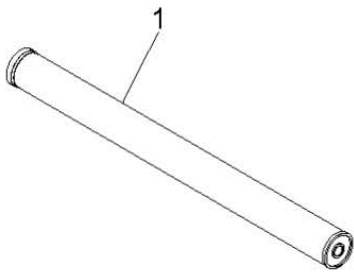


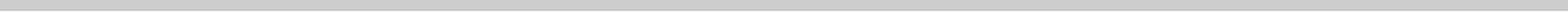
Model:

Page:

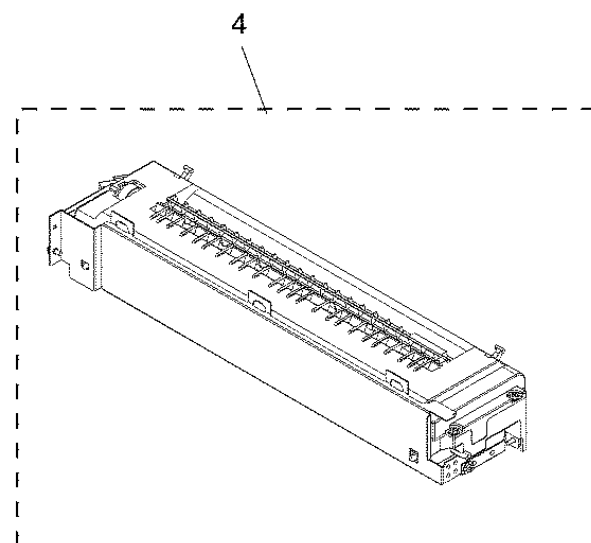
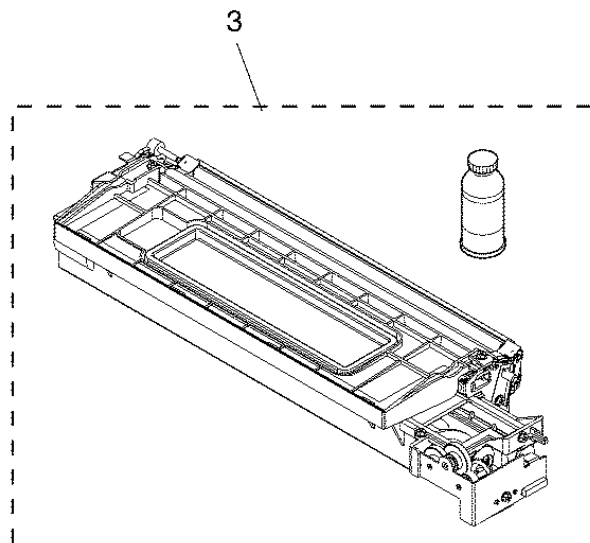
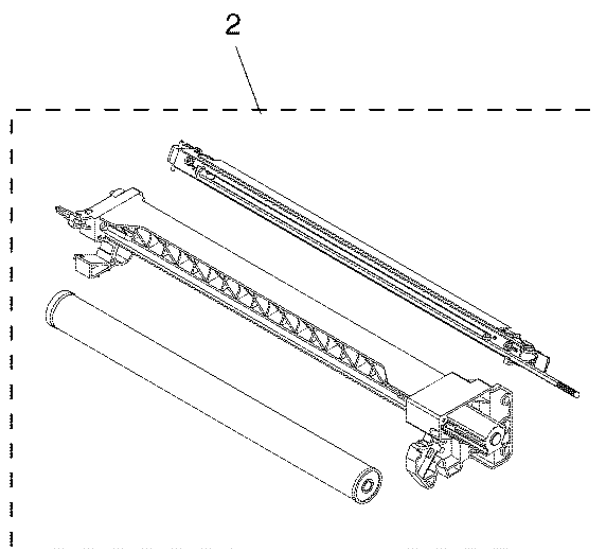
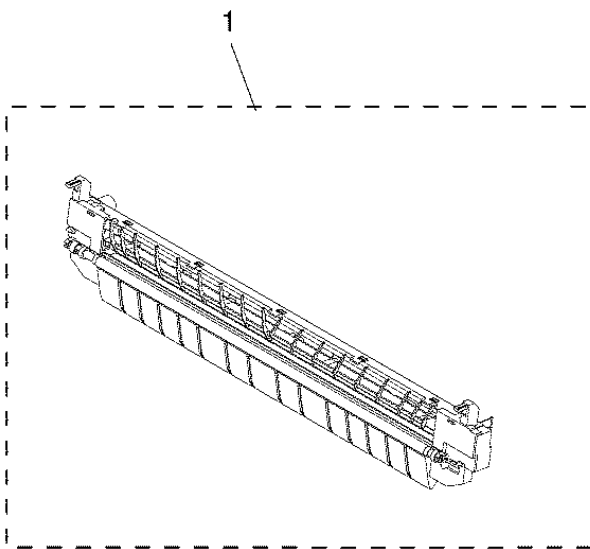
Issue
Date:

| Item No. | Parts No. | Parts Name | QTY/ Unit | QTY/ Pack | Part remarks | Catg. | Serial No. | P | I | R | BSI No. | Change | PC Board |
|----------|-------------|-------------------|--------------|--------------|------------------------------------|-------|------------|---|---|---|---------|----------------------|----------|
| 1A | 41303611000 | OD-1600 | 1 | 1/S | NAD MJD ASD.AUD TWD | DRM | | | | | | | |
| 1B | 6LA27896000 | OD-2320 | 1 | 1/S | CND | DRM | | | | | | | |
| 2A | 6LA27715000 | D-2320 | 1 | 1/S | NAD MJD ASD.AUD TWD | DEV | | | | | | | |
| 2B | 6LA27713000 | D-2320C | 1 | 1/S | CND | DEV | | | | | | | |
| 3A | 6AK00000038 | PS-ZT2340(4) | 1 | SUPPLY | NAD | SUP | | | | | | | |
| 3B | 6AJ00000025 | PS-ZT2340E(1) | 1 | SUPPLY | MJD | SUP | | | | | | | |
| 3C | 6AG00001487 | PS-ZT2340D(4) | 1 | SUPPLY | ROG | SUP | | | | | | | |
| 3D | 6AK00000043 | PS-ZT2340D(4) | 1 | SUPPLY | ROG | SUP | | | | | | | |
| 3E | 6AJ00000030 | PS-ZT2340D(4) | 1 | SUPPLY | ROG | SUP | | | | | | | |
| 3F | 6AG00001484 | PS-ZT2340C(4) | 1 | SUPPLY | CND | SUP | | | | | | | |
| 3G | 6AG00001481 | PS-ZT2340T(4) | 1 | SUPPLY | TWD | SUP | | | | | | | |
| 5A | 6AG00001375 | KA-3511PC | 1 | SUPPLY | Except CND | OPT | | | | | | | |
| 5B | 6AG00001376 | KA-3511PC-C | 1 | SUPPLY | CND | OPT | | | | | | | |
| 6A | 6AG00001416 | MY-1021 | 1 | SUPPLY | Except CND | OPT | | | | | | | |
| 6B | 6AG00001417 | MY-1021-C | 1 | SUPPLY | CND | OPT | | | | | | | |
| 7A | 6AR00000615 | KK-3511 | 1 | SUPPLY | Except CND | OPT | | | | | | | |
| 7B | 6AR00000616 | KK-3511-C | 1 | SUPPLY | CND | OPT | | | | | | | |
| 8A | 6AG00001393 | MF-2320U | 1 | SUPPLY | NAD | OPT | | | | | | | |
| 8B | 6AG00001394 | MF-2320E | 1 | SUPPLY | MJD | OPT | | | | | | | |
| 9A | 6AG00000975 | GM-1070 | 1 | SUPPLY | Printer Kit | OPT | | | | | | | |
| 9B | 6AG00000937 | GM-1080U | 1 | SUPPLY | Printer Kit (NAD) | OPT | | | | | | | |
| 10A | 6AG00000947 | GM-2070 | 1 | SUPPLY | Scanner Kit | OPT | | | | | | | |
| 10B | 6AG00000953 | GM-2080U | 1 | SUPPLY | Scanner Kit (NAD) | OPT | | | | | | | |
| 11A | 6AG00000963 | GM-4070 | 1 | SUPPLY | Printer/Scanner Kit | OPT | | | | | | | |
| 11B | 6AG00000970 | GM-4080U | 1 | SUPPLY | Printer/Scanner Kit (NAD) | OPT | | | | | | | |
| 12 | 6A000000473 | GP-1060 | 1 | SUPPLY | Data Overwrite Kit | OPT | | | | | | | |
| 13 | 6A000000710 | GQ-1020 | 1 | SUPPLY | | OPT | | | | | | | |
| 13-1 | 6A000000710 | GQ-1020 | 1 | SUPPLY | Coin controller harness kit | OPT | | E | - | J | G06J365 | To: 13-1 From: 13 | |
| 14 | 6A000000681 | GN-1041-OTR | 1 | SUPPLY | IEEE802.11g Wireless LAN Module | OPT | | | | | | | |
| 15 | 6A000000766 | GN-2010 | 1 | SUPPLY | Bluetooth Module | OPT | | | | | | | |
| 16 | 6A000000459 | GN-3010 | 1 | SUPPLY | Antenna | OPT | | | | | | | |
| 21 | 6LA47822000 | COVER-F-SKIRT-PFP | 1 | 1/P | | | | | | | | | |
| 22 | 6LA60648000 | COVER-ENABLER | 1 | 1/P | | | | | | | | | |
| 51 | XO-01922000 | S/TPP/BID-4X8-NI | 4 | 10/P | | | | A | - | J | G07H105 | | |

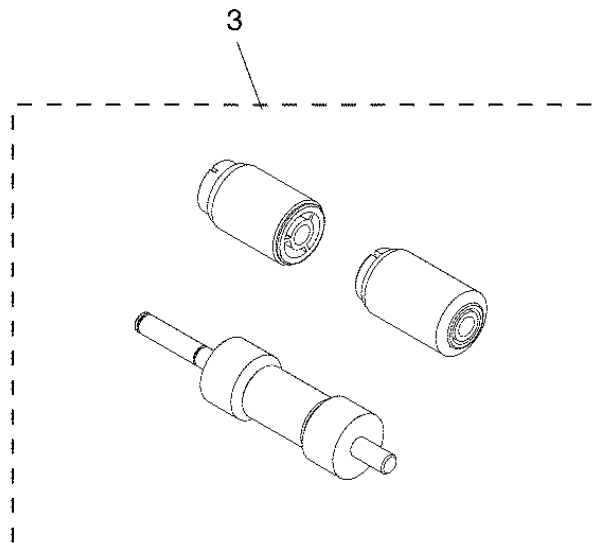
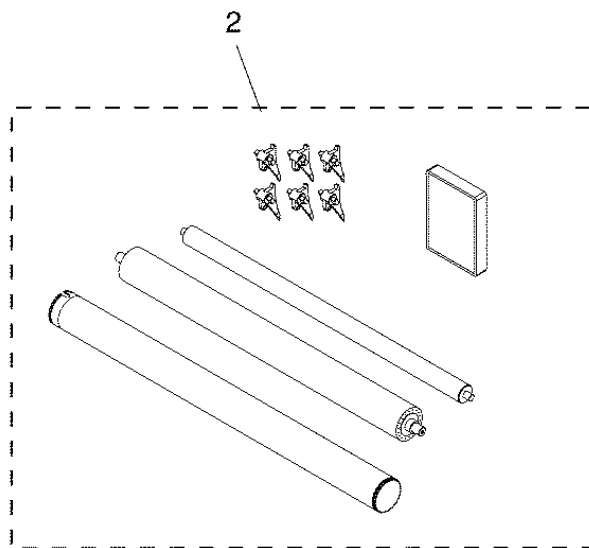
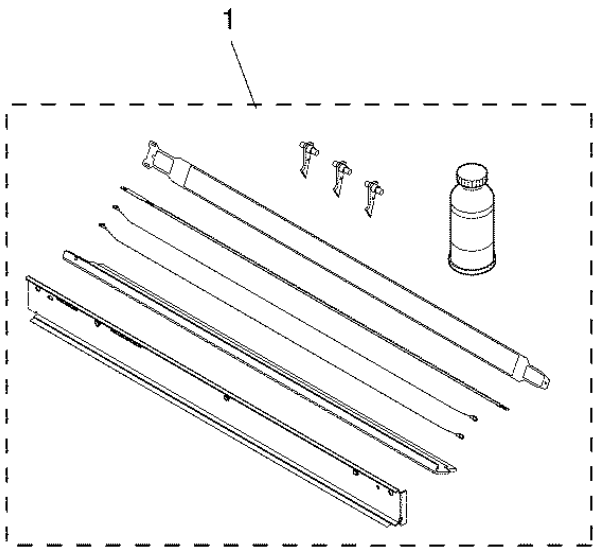




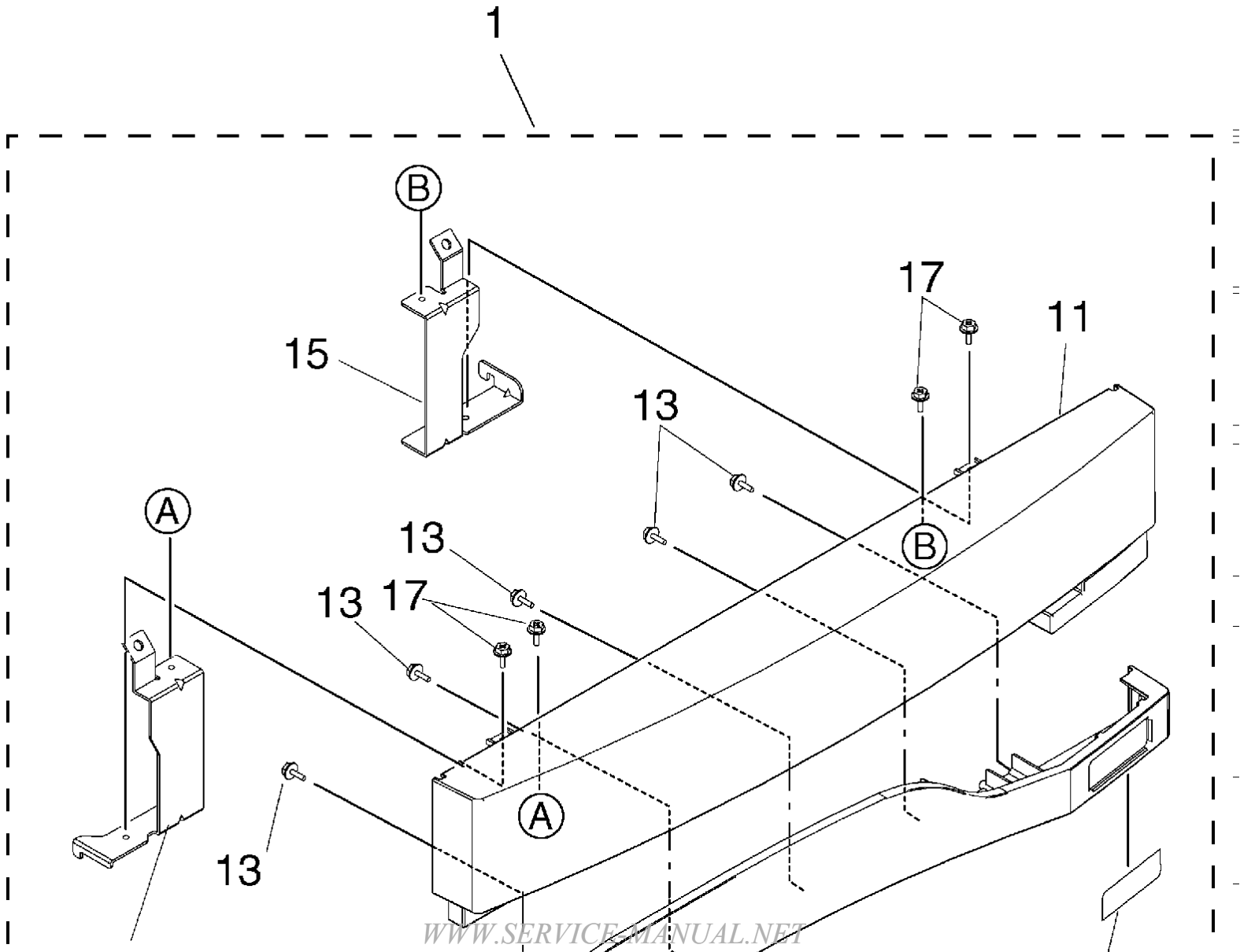
| Item No. | Parts No. | Parts Name | QTY/ Unit | QTY/ Pack | Part remarks | Catg. | Serial No. | P | I | R | BSI No. | Change | PC Board |
|----------|-------------|----------------|--------------|--------------|----------------------------|-------|------------|---|---|---|---------|----------|----------|
| 1 | 6LA85754000 | TR-CH-2320 | 1 | 1/C | | USP | | | | | | | |
| 2 | 6LA85755100 | CLN_DRUM-2340 | 1 | 1/C | | USP | | | | | | | |
| 3 | 6LA85757000 | DEV-UNIT-2320 | 1 | 1/S | | USP | | | | | | | |
| 3-1 | 6LE85252000 | DEV-UNIT-2340 | 1 | 1/S | | USP | | C | B | J | G06L499 | To: 3-1 | |
| 4A | 6LA85759000 | FUSER-2320-115 | 1 | 1/S | NAD SAD TWD | USP | | | | | | From: 3 | |
| 4A-1 | 6LA84022000 | FUSER-2320-115 | 1 | 1/S | NAD SAD TWD | USP | | C | E | D | G06A564 | From: 4A | |
| 4B | 6LA85760000 | FUSER-2320-220 | 1 | 1/S | MJD AUD ASD ASU KRD ARD | USP | | | | | | To: 4B-1 | |
| 4B-1 | 6LA84021000 | FUSER-2320-220 | 1 | 1/S | MJD AUD ASD ASU KRD ARD | USP | | C | E | D | G06A564 | From: 4B | |
| 4C | 6LE85851000 | FUSER-2320-CND | 1 | 1/S | CND | USP | | | | | | To: 4C-1 | |
| 4C-1 | 6LA84019000 | FUSER-2320-CND | 1 | 1/S | CND | USP | | C | E | D | G06A564 | From: 4C | |



| Item No. | Parts No. | Parts Name | QTY/ Unit | QTY/ Pack | Part remarks | Catg. | Serial No. | P | I | R | BSI No. | Change | PC Board |
|----------|-------------|---------------|-----------|-----------|--|-------|------------|---|---|---|---------|----------|----------|
| 1 | 6LA85750100 | DEV-KIT-2340 | 1 | 1/S | | KIT | | | | | | | |
| 2A | 6LA85752000 | FR-KIT-2320 | 1 | 1/S | NAD MJD AUD ASD ASU SAD TWD KRD ARD | KIT | | | | | | To: 2A-1 | |
| 2A-1 | 6LA84014000 | FR-KIT-2320 | 1 | 1/S | NAD MJD AUD ASD ASU SAD TWD KRD ARD | KIT | | C | E | D | G06A564 | From: 2A | |
| 2B | 6LA85752100 | FR-KIT-2320C | 1 | 1/S | CND | KIT | | | | | | To: 2B-1 | |
| 2B-1 | 6LA84014100 | FR-KIT-2320C | 1 | 1/S | CND | KIT | | C | E | D | G06A564 | From: 2B | |
| 3 | 41303640000 | ROL-KIT-16CST | 1 | 1/P | | KIT | | | | | | | |

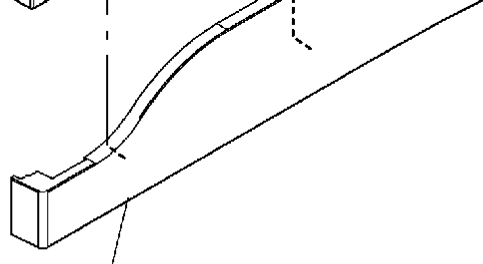


| Item No. | Parts No. | Parts Name | QTY/ Unit | QTY/ Pack | Part remarks | Catg. | Serial No. | P | I | R | BSI No. | Change | PC Board |
|----------|-------------|--------------------|-----------|-----------|------------------|-------|------------|---|---|---|---------|---------|----------|
| 1 | 6AG00000367 | KE-2330 | 1 | SUPPLY | ASD e-STUDIO202L | OPT | | | | | | To: 1-1 | |
| 1-1 | 6AG00001421 | KE-2330 | 1 | SUPPLY | ASD e-STUDIO202L | OPT | | C | B | G | G07C756 | From: 1 | |
| 11 | 6LE40923000 | COVER-CSSTT | 1 | 1/PP | ASD e-STUDIO202L | | | | | | | | |
| 12 | 6LE40920000 | COVER-CSSTT-HNDL | 1 | 1/PP | ASD e-STUDIO202L | | | | | | | | |
| 13 | XO-02247000 | S/TPP/FHEXM-3X8-NI | 3 | 10/P | ASD e-STUDIO202L | | | | | | | | |
| 14 | 6LA79206000 | BRKT-COVER-CSSTT-L | 1 | 1/P | ASD e-STUDIO202L | | | | | | | | |
| 15 | 6LA79207000 | BRKT-COVER-CSSTT-R | 1 | 1/P | ASD e-STUDIO202L | | | | | | | | |
| 16 | 6LA79204000 | SHEET-HIDE-SIZE | 1 | 1/KP | ASD e-STUDIO202L | | | | | | | | |
| 17 | XO-02246000 | S/TPP/FHEXM-3X6-NI | 4 | 10/P | ASD e-STUDIO202L | | | | | | | | |



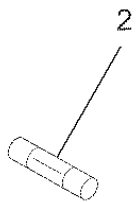
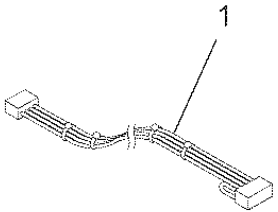
14

16



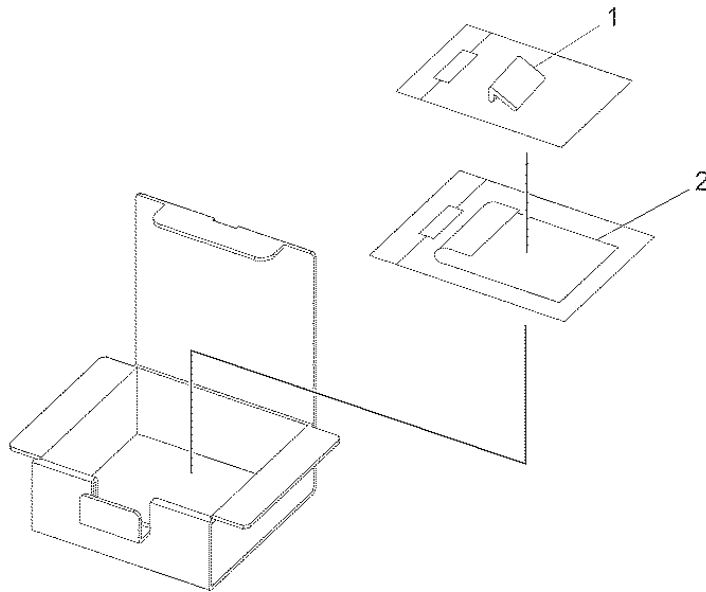
12

| Item No. | Parts No. | Parts Name | QTY/ Unit | QTY/ Pack | Part remarks | Catg. | Serial No. | P | I | R | BSI No. | Change | PC Board |
|----------|-------------|-------------------|-----------|-----------|-----------------------------|-------|------------|---|---|---|---------|---------|----------|
| 1 | 6LE88450000 | HRNS-LGC-CTR-377S | 1 | 1/P | | | | A | - | J | G06A605 | To: 1-1 | |
| 1-1 | 6LE88450000 | HRNS-LGC-CTR-377S | 1 | 1/P | Key Copy counter Harness | | | E | - | J | G06J365 | From: 1 | |
| 2 | E0-08489000 | 0218001.MXP | 1 | 5/P | | | | A | - | J | G07D794 | | |



| Item No. | Parts No. | Parts Name | QTY/ Unit | QTY/ Pack | Part remarks | Catg. | Serial No. | P | I | R | BSI No. | Change | PC Board |
|----------|-------------|----------------|-----------|-----------|--------------------------|-------|------------|---|---|---|---------|--------|----------|
| 1 | 6LE85682000 | GSKT-3E0463-40 | 1 | 1 | 1/PGR-1060TW for GO-1060 | | | A | - | J | G06E897 | | |
| 2 | 6LE86154000 | GMO25-PCI-377T | 1 | 1 | 1/PGR-1060TW for GO-1060 | | | A | - | J | G06E897 | | |
| 3 | D0-07205000 | E04SR200917 | 1 | 1 | 1/PGR-1040TW for MJ-1022 | | | A | - | J | G06E897 | | |
| 4 | D0-24726000 | SFT-59SN | 1 | 1 | 1/PGR-1040TW for MJ-1025 | | | A | - | J | G06E897 | | |
| 5 | 44204874000 | SPL-TWD-PLATE | 1 | 1 | 1/PGR-1040TW for MJ-1022 | | | A | - | J | G06E897 | | |
| 6 | 44204873000 | SPL-TWD-FIN | 1 | 1 | 1/PGR-1040TW for MJ-1022 | | | A | - | J | G06E897 | | |

(GR-1060TW for GO-1060)



(GR-1040TW for MJ-1022/1025)



