

TOSHIBA

SERVICE PARTS LIST

MULTIFUNCTIONAL DIGITAL SYSTEMS

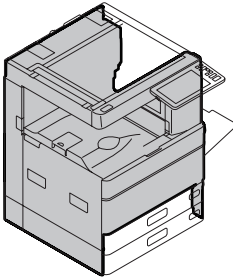
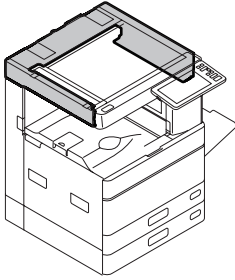
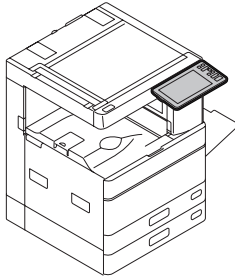
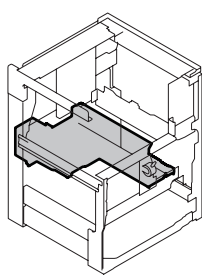
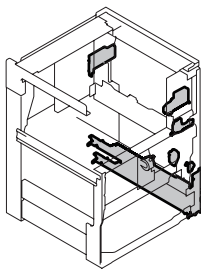
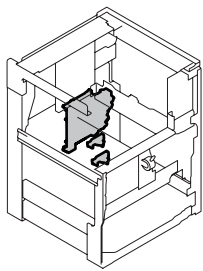
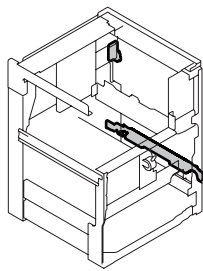
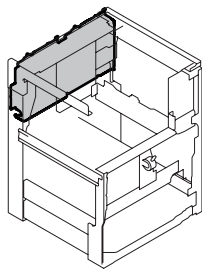
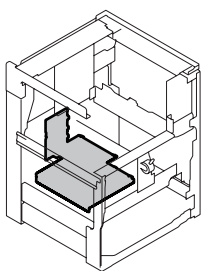
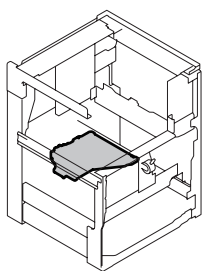
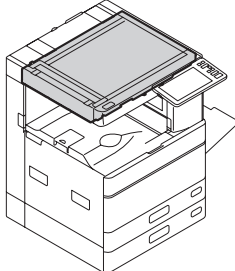
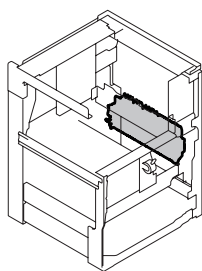
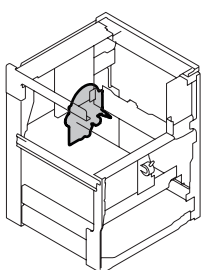
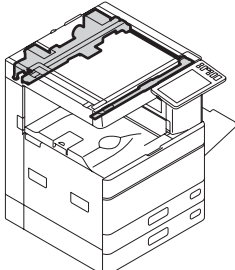
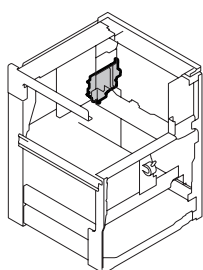
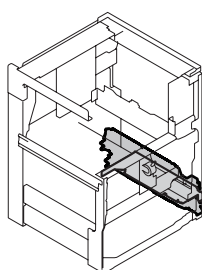
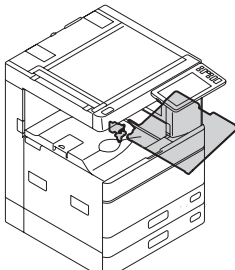
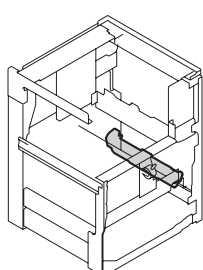
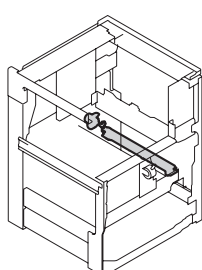
**e-STUDIO2018A/2518A/
3018A/3518A/4518A/5018A**

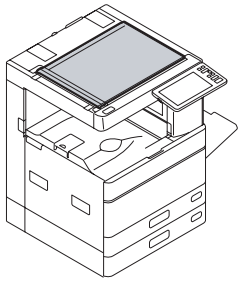
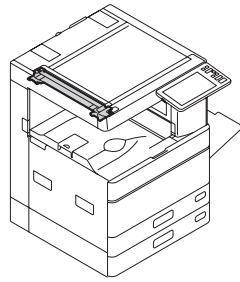
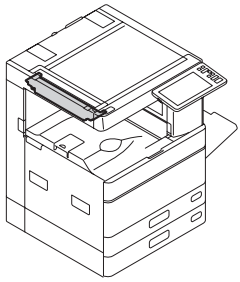
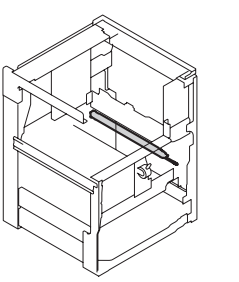
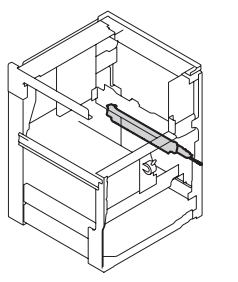
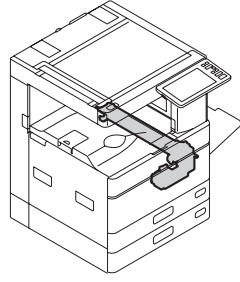
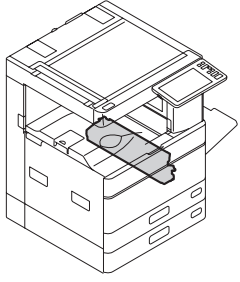
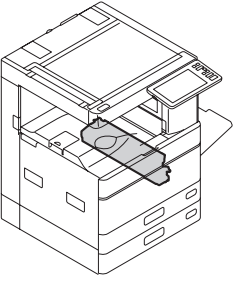
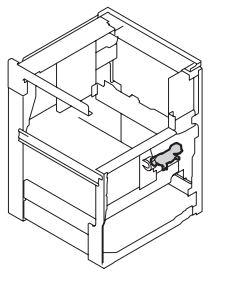
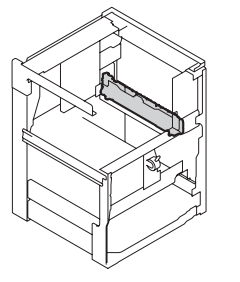
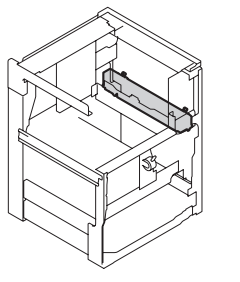
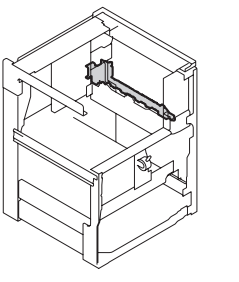
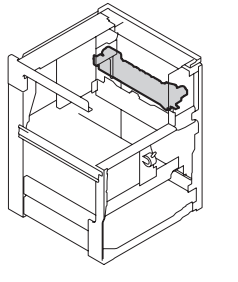
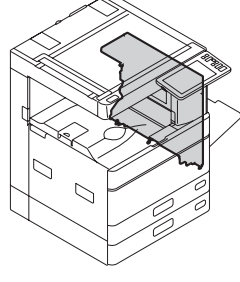
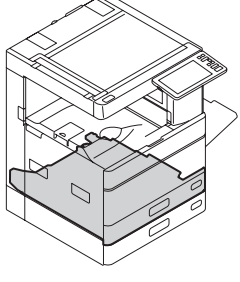
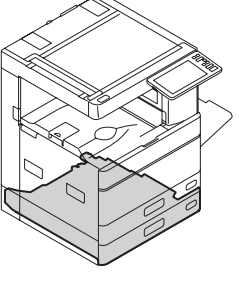
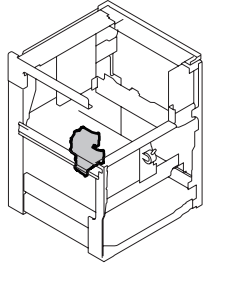
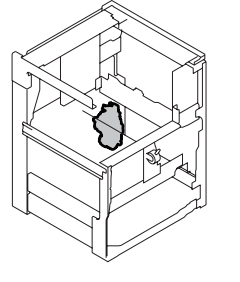
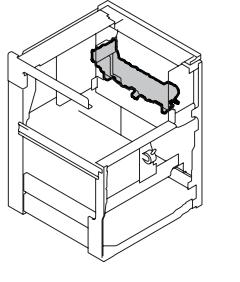
© 2018 TOSHIBA TEC CORPORATION All rights reserved

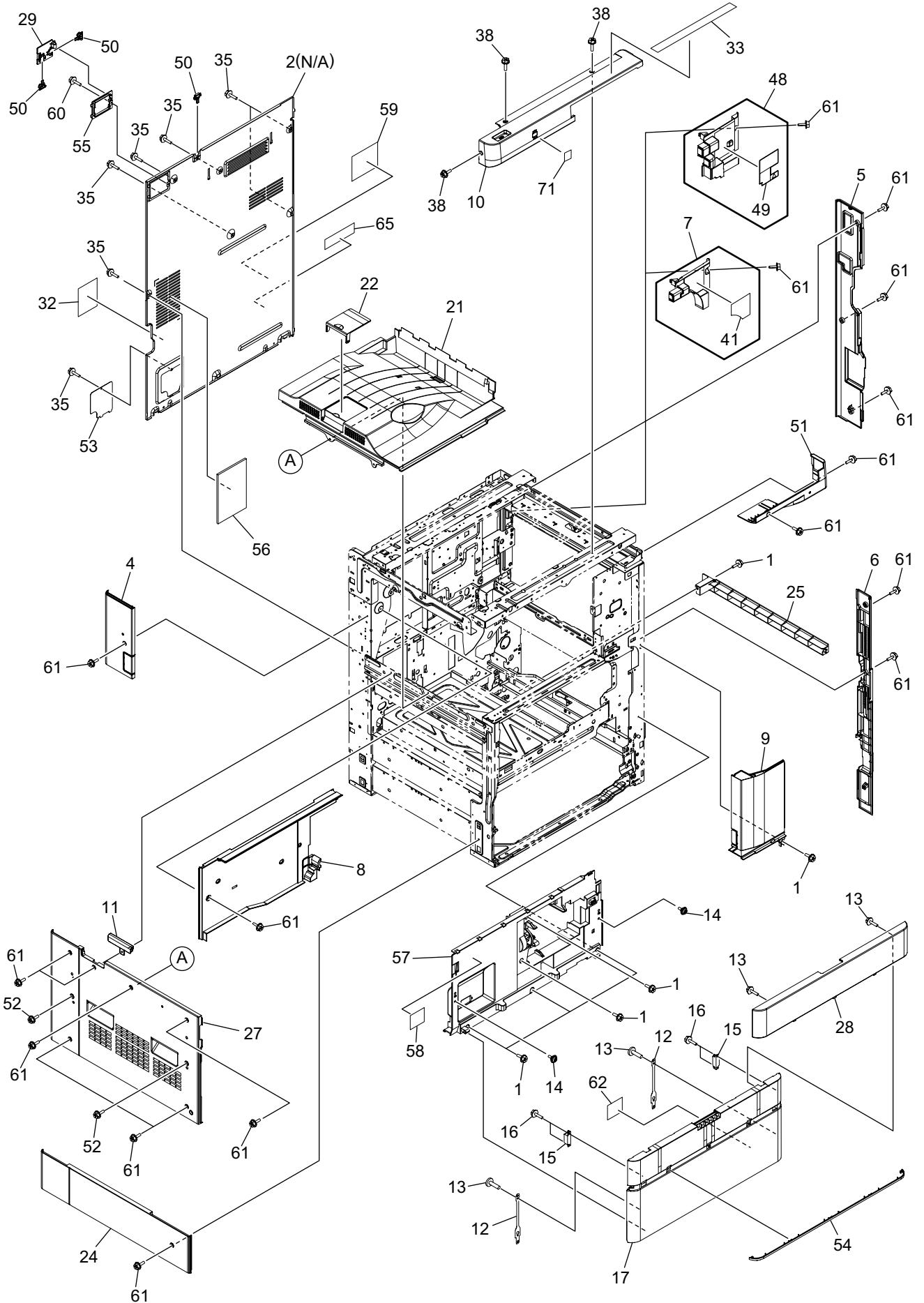
Under the copyright laws, this manual cannot be reproduced in any form without prior written permission of TOSHIBA TEC CORPORATION. No patent liability is assumed, however, with respect to the use of the information contained herein.

CONTENTS

COVER-1-ASY	1	JIGS & GREASE	101
COVER-2-ASY	2	SUPPLIES	102
CONTROL-PANEL-ASY	3	REPLACE UNIT	103
BASE-FRAME-ASY	4	PM-KIT	104
FRONT-FRAME-ASY	5		
REAR-FRAME-1-ASY	6		
REAR-FRAME-2-ASY	7		
CASE-SYS-LGC-ASY	8		
ELECTRIC-ASY	9		
LASER-OPTICAL-UNIT-ASY	10		
OPTICAL-FRAME-ASY	11		
SIDE-DUCT-ASY	12		
MAIN-DRIVE-ASY	13		
OPTICAL-DRIVE	14		
DRIVE-FUSER-ASY	15		
FEEDER-ASY	16		
BYPASS-ASY	18		
BYPASS-FEEDER-ASY	19		
GUIDE-RGST-ASY	20		
GLASS-ASY	21		
CRG-1-ASY	22		
CRG-2-ASY	23		
MAIN-CHARGER-ASY	24		
TRANSPORT-CHARGER-ASY	25		
CLEANER-ASY	26		
DEVELOPER-ASY-1	27		
DEVELOPER-ASY-2	28		
RECYCLE-ASY	29		
FUSER-ASY-1	30		
FUSER-ASY-2	31		
FUSER-ASY-3	32		
ADU-1-ASY	33		
ADU-2-ASY	34		
DRAWER-ASY-1	35		
DRAWER-ASY-2	36		
TRAYUP-MOT-ASY	37		
FEEDER-DRIVE-ASY	38		
EXIT-ASY	39		

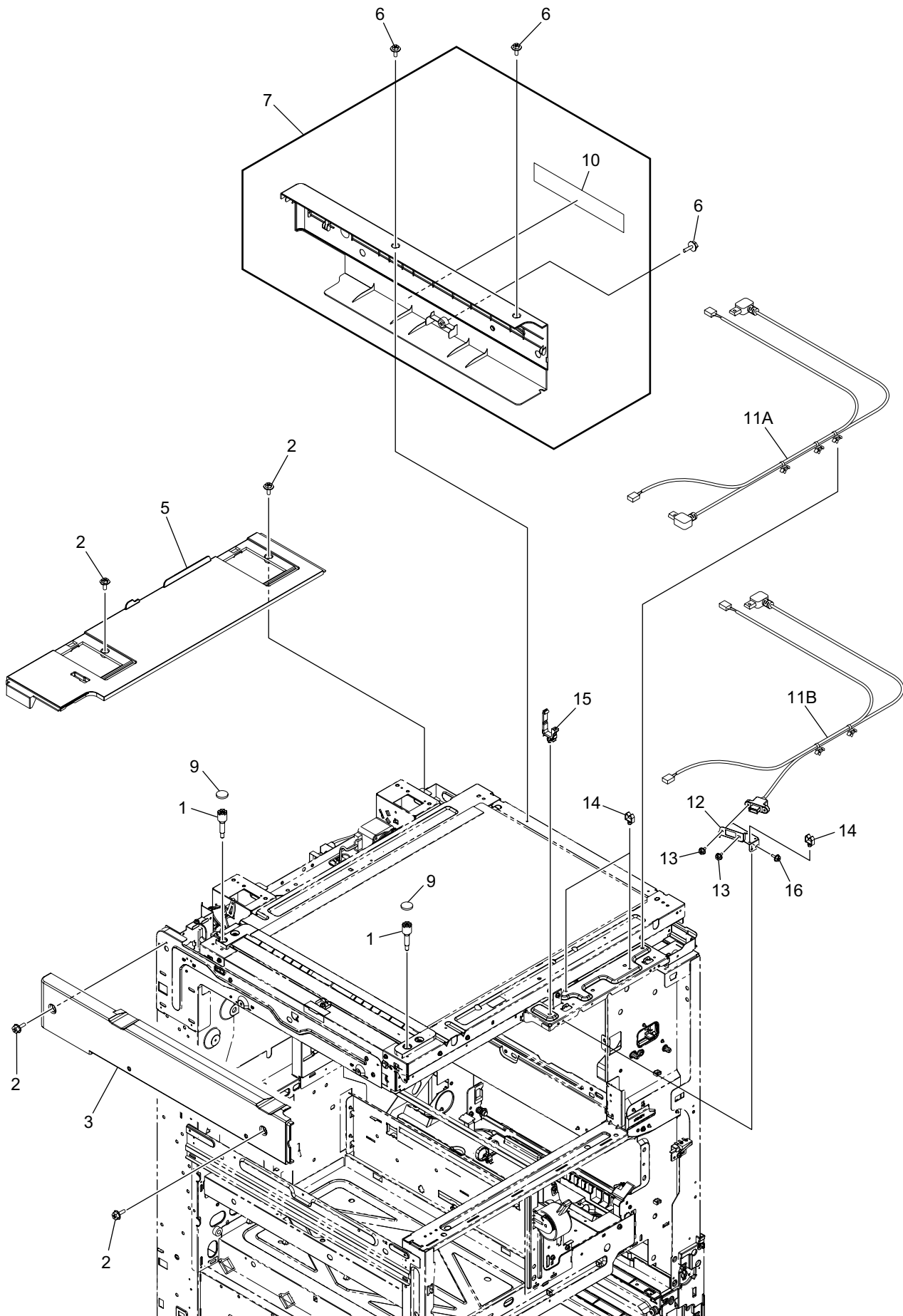
<p>1. COVER-1-ASY</p> 	<p>2. COVER-2-ASY</p> 	<p>3. CONTROL-PANEL-ASY</p> 	<p>4. BASE-FRAME-ASY</p> 
<p>5. FRONT-FRAME-ASY</p> 	<p>6. REAR-FRAME-1-ASY</p> 	<p>7. REAR-FRAME-2-ASY</p> 	<p>8. CASE-SYS-LGC-ASY</p> 
<p>9. ELECTRIC-ASY</p> 	<p>10. LASER-OPTICAL-UNIT-ASY</p> 	<p>11. OPTICAL-FRAME-ASY</p> 	<p>12. SIDE-DUCT-ASY</p> 
<p>13. MAIN-DRIVE-ASY</p> 	<p>14. OPTICAL-DRIVE</p> 	<p>15. DRIVE-FUSER-ASY</p> 	<p>16. FEEDER-ASY</p> 
<p>17. (Blank)</p>	<p>18. BYPASS-ASY</p> 	<p>19. BYPASS-FEEDER-ASY</p> 	<p>20. GUIDE-RGST-ASY</p> 

<p>21. GLASS-ASY</p> 	<p>22. CRG-1-ASY</p> 	<p>23. CRG-2-ASY</p> 	<p>24. MAIN-CHARGER-ASY</p> 
<p>25. TRANSPORT-CHARGER-ASY</p> 	<p>26. CLEANER-ASY</p> 	<p>27. DEVELOPER-ASY-1</p> 	<p>28. DEVELOPER-ASY-2</p> 
<p>29. RECYCLE-ASY</p> 	<p>30. FUSER-ASY-1</p> 	<p>31. FUSER-ASY-2</p> 	<p>32. FUSER-ASY-3</p> 
<p>33. ADU-1-ASY</p> 	<p>34. ADU-2-ASY</p> 	<p>35. DRAWER-ASY-1</p> 	<p>36. DRAWER-ASY-2</p> 
<p>37. TRAYUP-MOT-ASY</p> 	<p>38. FEEDER-DRIVE-ASY</p> 	<p>39. EXIT-ASY</p> 	

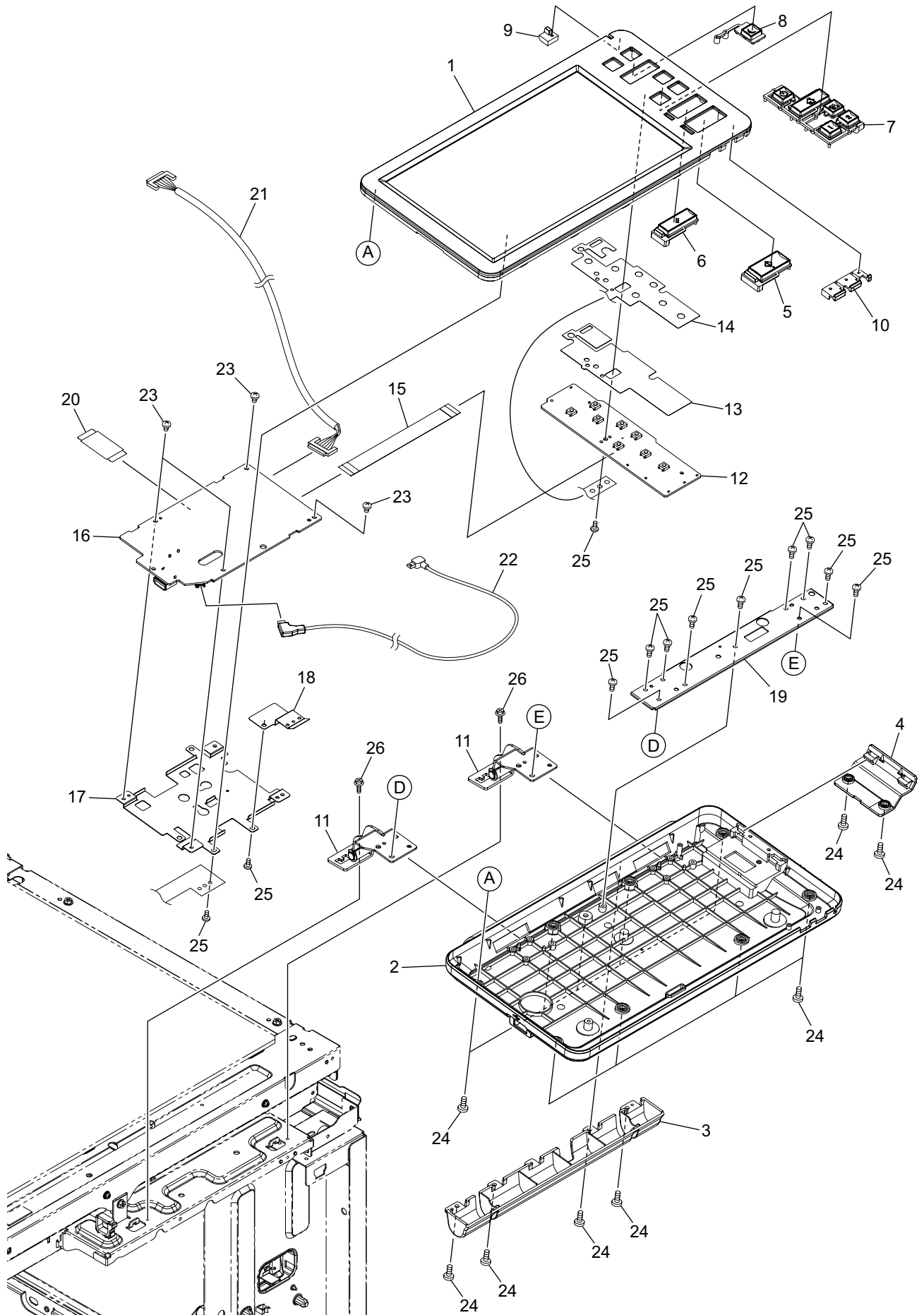


ITEM No.	PART No.	PART NAME	Q'TY / PAGE	Q'TY / PACK	REMARKS
1	X0-02420000	S/TPS/FHEXM/R-3X8-ZU3	7	10/P	
2	6LK66503000	COVER-REAR-H41X	1	N/A***	
4	6LK48707000	COVER-LEFT-REAR-H370	1	1/PP	
5	6LK66500000	COVER-RIGHT-REAR-H41X	1	1/PP	
6	6LK48708000	COVER-FRT-PILLAR-R-H373	1	1/PP	
7 A	6LK48747000	ASYS-COV-FUS-R-H373	1	1/PP	eS3518A/4518A/5018A NAD,ARD,ASD,AUD,MJD,TWD
7 B	6LK48747100	ASYS-COV-FUS-R-H373_C	1	1/PP	eS3518A/4518A/5018A CND,CNS
8 A	6LJ53707600	COVER-TRAY-BACK-H370	1	1/PP	eS2018A/2518A/3018A
8 B	6LJ53707700	COVER-TRAY-BACK-H373	1	1/PP	eS2518A/3518A/4518A/5018A
9	6LK48705000	COVER-FRT-PILLAR-H370	1	1/PP	
10 A	6LK91906100	ASYS-COV-TP-FRT-K121	1	1/PP	eS2518A
10 B	6LK91906200	ASYS-COV-TP-FRT-K122	1	1/PP	eS3018A NAD,ASD,MJD,TWD,CND
10 C	6LK91906600	ASYS-COV-TP-FRT-K122G	1	1/PP	eS3018A CNS
10 D	6LK91906300	ASYS-COV-TP-FRT-K123	1	1/PP	eS3518A NAD,ARD,ASD,AUD,MJD,TWD,CND
10 E	6LK91906700	ASYS-COV-TP-FRT-K123G	1	1/PP	eS3518A CNS
10 F	6LK91906400	ASYS-COV-TP-FRT-K124	1	1/PP	eS4518A NAD,ARD,ASD,AUD,MJD,TWD,CND
10 G	6LK91906800	ASYS-COV-TP-FRT-K124G	1	1/PP	eS4518A CNS
10 H	6LK91906500	ASYS-COV-TP-FRT-K125	1	1/PP	eS5018A
10 I	6LK91906000	ASYS-COV-TP-FRT-K12X	1	1/PP	eS2018A
11	6LK48711000	COVER-LEFT-2-H370	1	1/P	
12	6LK66504000	BAND-COVER-FRT-H41X	2	1/P	
13	X0-01989000	S/TPP/BID-3X8-NI	4	10/P	
14	6LA08937000	SCREW-BKT-DEV	2	10/P	
15	F0-01394000	CA-0131B	2	1/P	
16	X0-02248000	S/TPP/FHEXM-3X10-NI	4	10/P	
17	6LK48701100	COVER-FRONT-H41X	1	1/PP	
21	6LJ53764200	COVER-TRAY-H21X-H370_B	1	1/PP	
22	6LH52423700	COVER-STOP-PAPER-470-N_B	1	1/P	
24	6LJ69439200	COVER-LEFT-PFU_B	1	1/PP	
25	6LJ69442200	COVER-R-LOW-PFU_B	1	1/PP	
27	6LK48706000	COVER-LEFT-H370	1	1/PP	
28	6LK48774000	ASYS-COV-DECO-TSB	1	1/PP	
29	6LK48725000	COVER-DF_FIN-CNT-H370	1	1/P	
32 A	44204604000	LBL-SERVICE-45	1	5/P	NAD,ARD,ASD,AUD
32 B	6LA56227000	LBL-SERVICE-45C	1	5/KP	CND,CNS
32 C	6LK54463000	LBL-SERVICE-CABLE-N	1	1/KP	MJD
32 D	6LA48504000	LBL-SERVICE-45-TWD	1	5/KP	TWD
33 A	6LK54440000	LBL-PROHIBIT-C-H37X	1	1/KP	CND,CNS
33 B	6LK54438000	LBL-PROHIBIT-E-H37X	1	1/KP	ARD,ASD,AUD,MJD
33 C	6LK54437000	LBL-PROHIBIT-U-H37X	1	1/KP	NAD
33 D	6LK54468000	LBL-PROHIBIT-T-H37X	1	1/KP	TWD
35	X0-02230000	S/FHEXM-M3X6-NI	7	10/P	
38	X0-02672000	S/FHEXM-M3X8-ZB3	3	10/P	
41 A	6LK52338000	LBL-HOT-H373	1	1/P	eS3518A/4518A/5018A NAD,ARD,ASD,AUD,MJD,TWD
41 B	6LK52339000	LBL-HOT-H373-C	1	1/P	eS3518A/4518A/5018A CND,CNS
48 A	6LK48737200	ASYS-COV-FUS-R-H410	1	1/PP	eS2018A/2518A/3018A NAD,ARD,ASD,AUD,MJD,TWD
48 B	6LK48737300	ASYS-COV-FUS-R-H410_C	1	1/PP	eS2518A/3018A CND,CNS
49 A	6LK52027000	LBL-HOT-H370	1	1/P	eS2018A/2518A/3018A NAD,ARD,ASD,AUD,MJD,TWD
49 B	6LK52028000	LBL-HOT-H370-C	1	1/P	eS2518A/3018A CND,CNS
50	6LK48727000	COVER-DF-SUB-H373	3	1/P	
51	6LK48736000	COV-FRT-PILLAR-U	1	1/PP	
52	X0-02678000	S/TPS/FHEXM/R-4X8-ZB3	2	10/P	
53	6LJ69458000	LID-REAR-PFU	1	1/P	
54	6LK48766200	COVER-RIM-HS	1	1/PP	
55	6LK48726000	COVER-INNER-DF-FIN	1	1/P	
56	6LK66516000	FILTER-COV-REAR-H41X	1	1/KP	
57	6LK91908200	COVER-INNER-F-H41X-R2	1	1/PP	
58	6LJ83461000	LBL-CAU-LASER	1	1/P	
59	6LA47529000	LBL-LASER	1	1/KP	
60	X0-02671000	S/FHEXM-M3X6-ZB3	1	10/P	
61	X0-02681000	S/TPD3/FHEXM/R-3X8-ZB3	17	10/P	
62	4406550190	LBL-HVT-BIT	1	5/P	
65	6LJ68385000	LBL-NAD-FCC-2	1	1/KP	

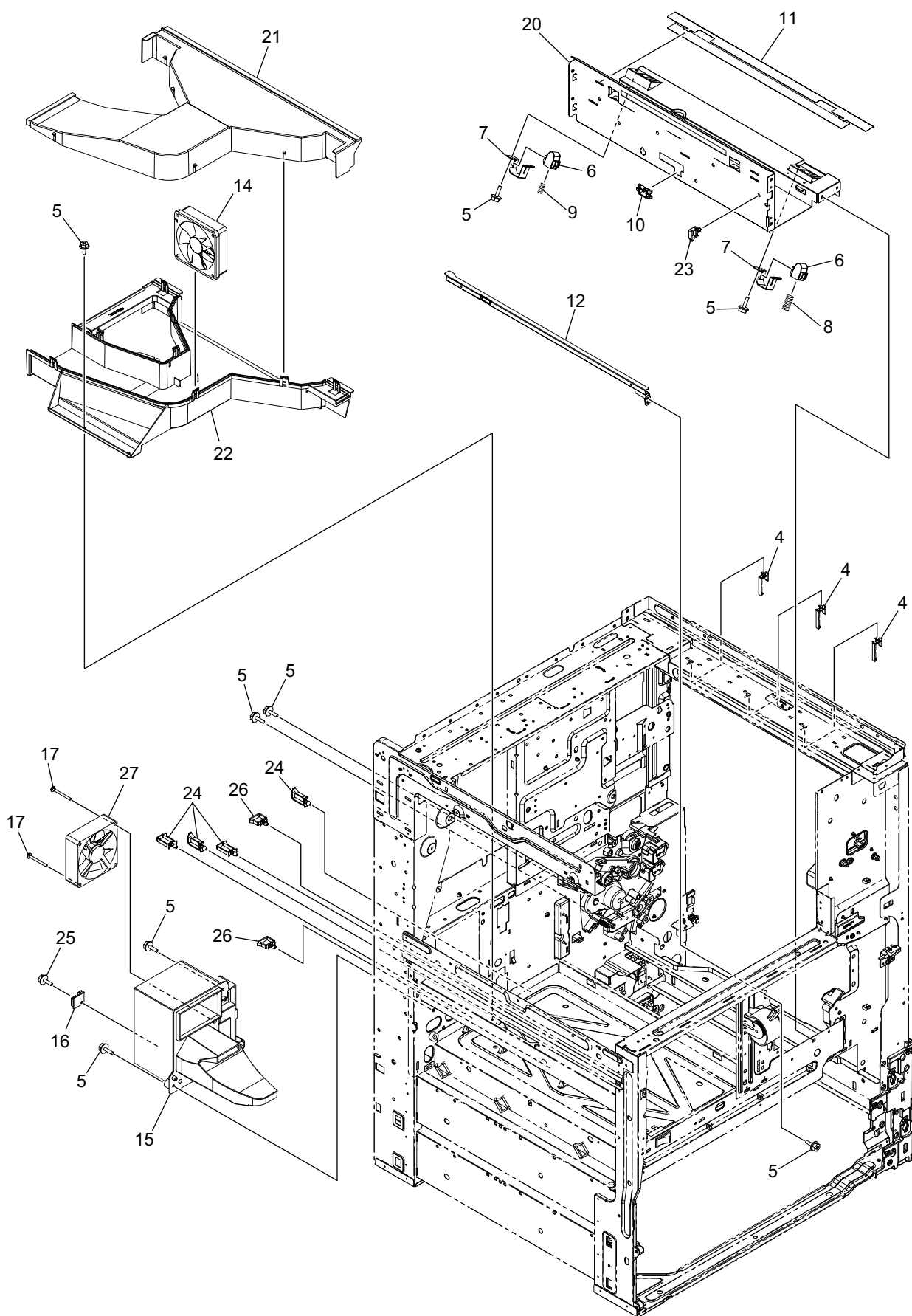
ITEM No.	PART No.	PART NAME	Q'TY / PAGE	Q'TY / PACK	REMARKS
71	6LK56621000	LBL-IDGATE-MARK-KP2007	1	1/P	Exclusively supplied as the service part



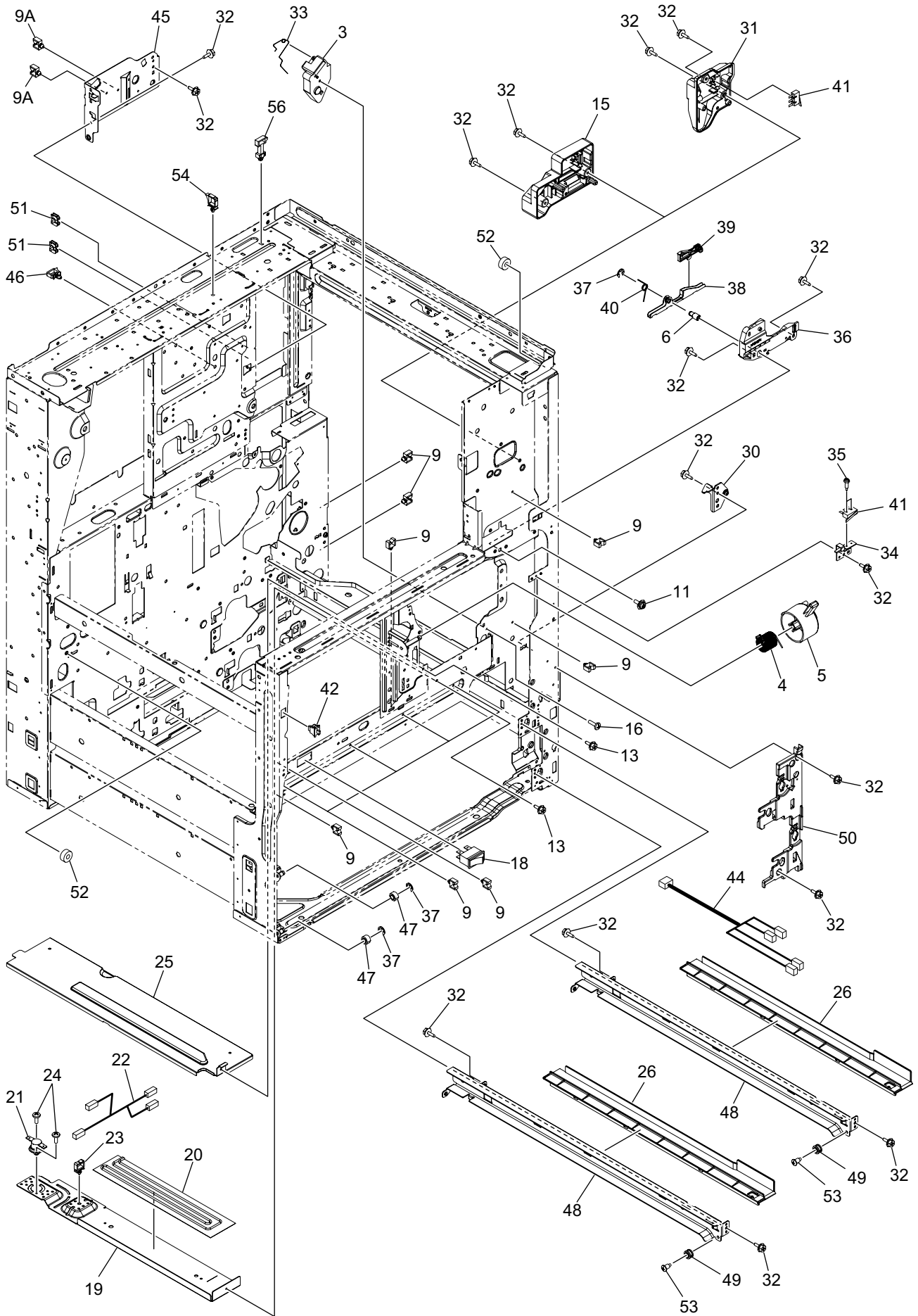
ITEM No.	PART No.	PART NAME	Q'TY / PAGE	Q'TY / PACK	REMARKS
1	6LJ59784000	LOCK-CRG-H21X	2	1/P	
2	X0-02681000	S/TPD3/FHEXM/R-3X8-ZB3	4	10/P	
3	6LK53234000	COVER-TP-LFT-H370	1	1/PP	
5	6LK53233000	COVER-TP-RER-H370	1	1/PP	
6	X0-02672000	S/FHEXM-M3X8-ZB3	3	10/P	
7 A	6LK53272000	ASYB-COV-TP-RGT-H373-STD	1	1/PP	NAD,ARD,ASD,AUD,MJD
7 B	6LK53272200	ASYB-COV-TP-RGT-H373-CND	1	1/PP	CND,CNS
7 C	6LK53272100	ASYB-COV-TP-RGT-H373-TWD	1	1/KP	TWD
9	6LH56607200	LID-SCREW-H370	2	5/P	
10 A	6LK52336000	LBL-HOT-COV-LOW-K	1	1/KP	NAD,ARD,ASD,AUD,MJD
10 B	6LK52340000	LBL-HOT-COV-LOW-K-CND	1	1/KP	CND,CNS
10 C	6LK52337000	LBL-HOT-COV-LOW-K-TWD	1	1/PP	TWD
11 A	6LK83499000	ASYB-HRNS-USB-K100	1	1/P	eS2018A/2518A/3018A
11 B	6LK83487000	ASYB-HRNS-USB-K120	1	1/P	eS3518A/4518A/5018A
12 A	6LK44871000	BRKT-USB-K110	1	1/P	eS3518A/4518A/5018A
13 A	X0-02230000	S/FHEXM-M3X6-NI	2	10/P	eS3518A/4518A/5018A
14 A	F0-00033000	UAMS-07-0	3	10/P	eS3518A/4518A/5018A
15 A	F0-01943000	RLWC-3SV0	1	5/P	eS3518A/4518A/5018A
16 A	X0-02420000	S/TPS/FHEXM/R-3X8-ZU3	1	10/P	eS3518A/4518A/5018A



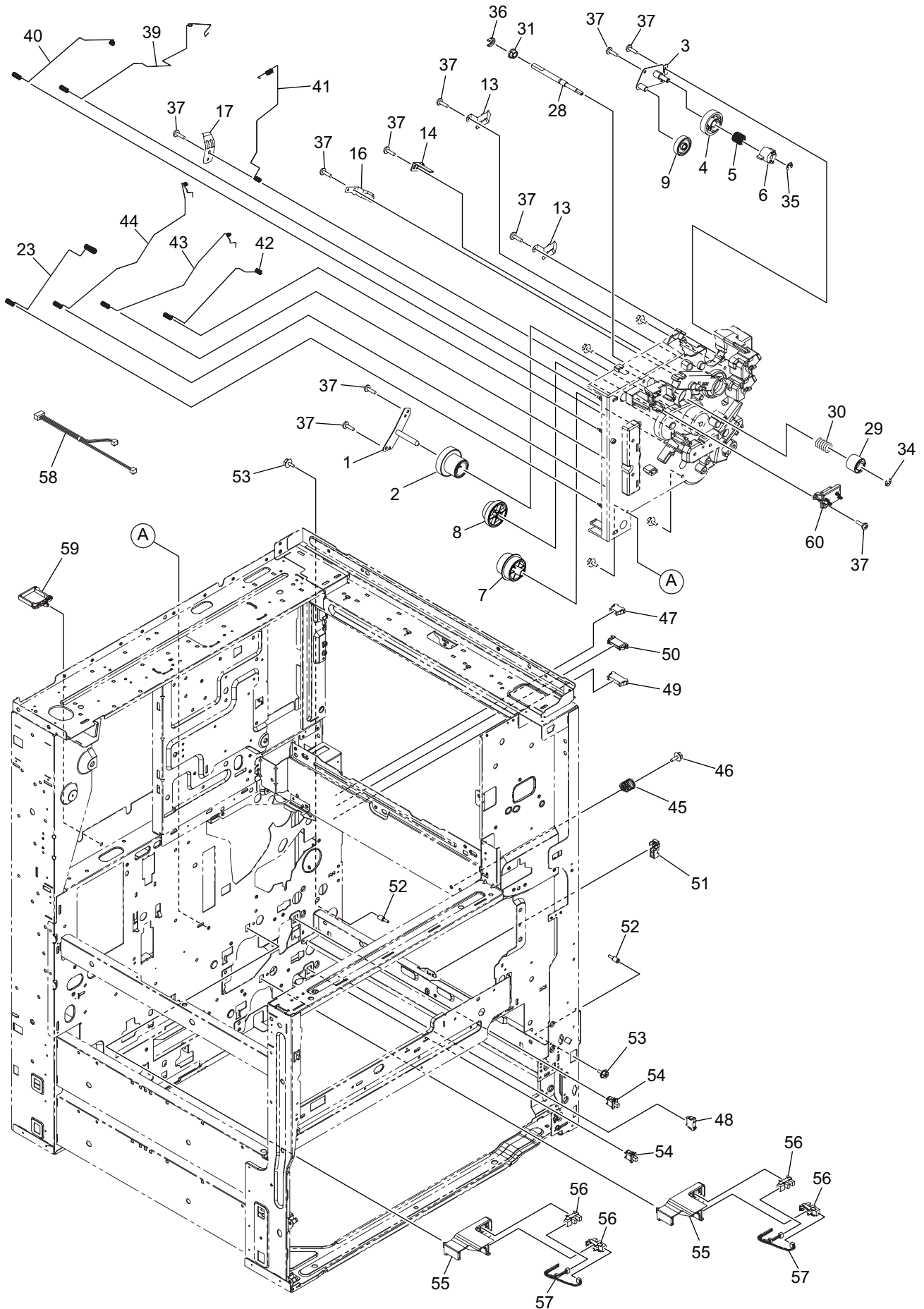
ITEM No.	PART No.	PART NAME	Q'TY / PAGE	Q'TY / PACK	REMARKS
1 A	6LK48609000	CONPANE-LCD-K1XX-SVP-W	1	1/C	NAD,MJD,ARD ASD,AUD CND
1 B	6LK48609100	CONPANE-LCD-K1XX-SVP-A	1	1/C	
1 C	6LK48609300	CONPANE-LCD-K1XX-SVP-C	1	1/C	
2	6LK48608000	COVER-CONPANE-LWR-K100	1	1/PP	
3	6LK48569000	COVER-HINGE-K100	1	1/PP	
4	6LK48603000	COVER-SIDE-K1XX	1	1/P	
5	6LK48607000	KEY-START-K1XX	1	1/P	
6	6LK48606000	KEY-RESET-K1XX	1	1/P	
7	6LK48604000	KEY-FUNCTION-K1XX	1	1/P	
8	6LK48605000	KEY-ENERGY-K1XX	1	1/P	
9	6LK48570000	LID-POWER-K1XX	1	1/P	
10	6LK48571000	LID-LED-K1XX	1	1/P	
11	6LK48576000	ASYS-HINGE-K100	2	1/P	
12	6LK48595000	PWA-SW-K1XX	1	1/SB	
13	6LK48601000	FILM-SW-K1XX	1	1/P	
14	6LK48602000	FILM-SW-K1XX-2	1	1/P	
15	6LK48597000	HRNS-KEY-K1XX-2	1	1/P	
16	6LK48596000	PWA-LCD-K1XX	1	1/SB	
17	6LK48573000	SHIELD-PCB-K1XX	1	1/P	
18	6LK48574000	EARTH-SPRING-K1XX	1	1/P	
19	6LK48575000	BASE-BRACKET-K100	1	1/P	
20	6LK48598000	HRNS-KEY-K1XX-1	1	1/P	
21	6LK48599000	CABLE-LCD-K1XX	1	1/P	
22	6LK48600000	USB-CABLE-K11X	1	1/P	
23	6LK48594000	SCREW-M3X4	4	5/P	
24	6LK48593000	SCREW-M3X8	15	5/P	
25	6LK48592000	SCREW-M3X6	12	5/P	
26	X0-02681000	S/TPD3/FHEXM/R-3X8-ZB3	2	10/P	



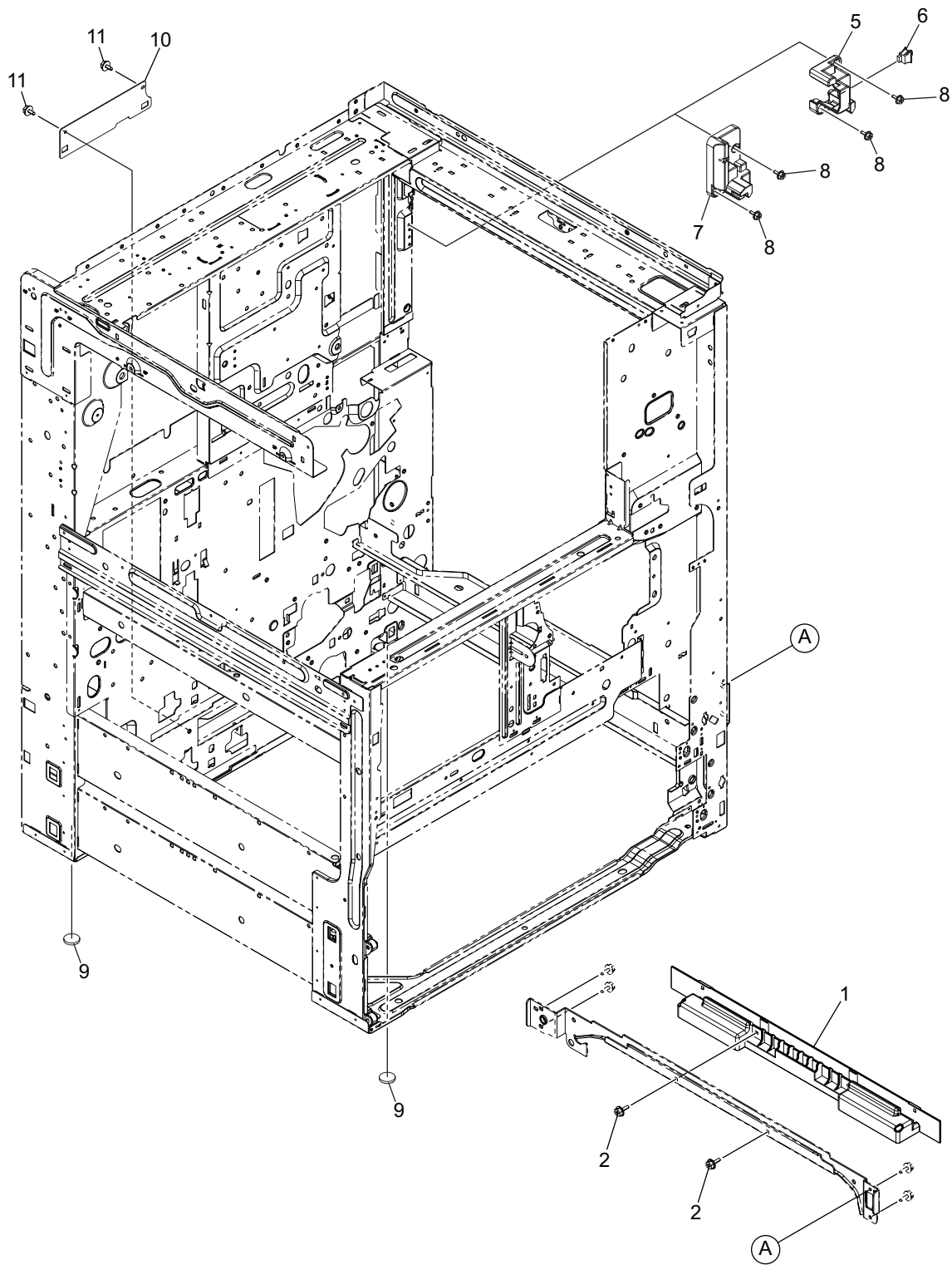
ITEM No.	PART No.	PART NAME	Q'TY / PAGE	Q'TY / PACK	REMARKS
4	F0-00036000	RLWS3TV0	3	5/P	
5	X0-02593000	S/TPD3/FHEXM-3X8-ZU3	8	10/P	
6	6LH24160000	PUSHER-DEV	2	1/P	
7	6LE57972000	BRKT-HOLD-SP-280	2	1/P	
8	6LA82106000	SPC-PUSH-DEV-F	1	1/P	
9	6LA82107000	SPC-PUSH-DEV-R	1	1/P	
10	F0-00045000	EDS-1	1	10/P	
11	6LH54642000	WALL-SIDE-DEV	1	1/P	
12	6LH54677000	RAIL-TNR-L-47X	1	1/P	
14	6LK67001000	ASYS-FAN-8025-H41X	1	1/D	
15	6LK67876100	DUCT-FAN-LOW-H41X_T	1	1/PP	
16	D0-32012000	CHS-CGC5-28	1	1/P	
17	X0-02597000	S/TPP/PAN-4X35-ZU3	2	10/P	
20	6LH54693100	ASYS-STAY-DEV-H41X	1	1/P	
21	6LK67835100	DUCT-FAN-PU-TOP-H41X_T	1	1/P	
22	6LK67836100	DUCT-FAN-PU-BOTTOM-H41X_T	1	1/P	
23	F0-01811000	LWS-0711S-V0	1	5/P	
24	F0-01299000	LWS-2111Z	4	1/P	
25	6LA80090000	S/TPP/BID-3X8-NI	1	5/P	
26	F0-01813000	LWS-1316S-V0	2	5/P	
27	6LJ74676000	FAN-D-8025-H24X	1	1/D	



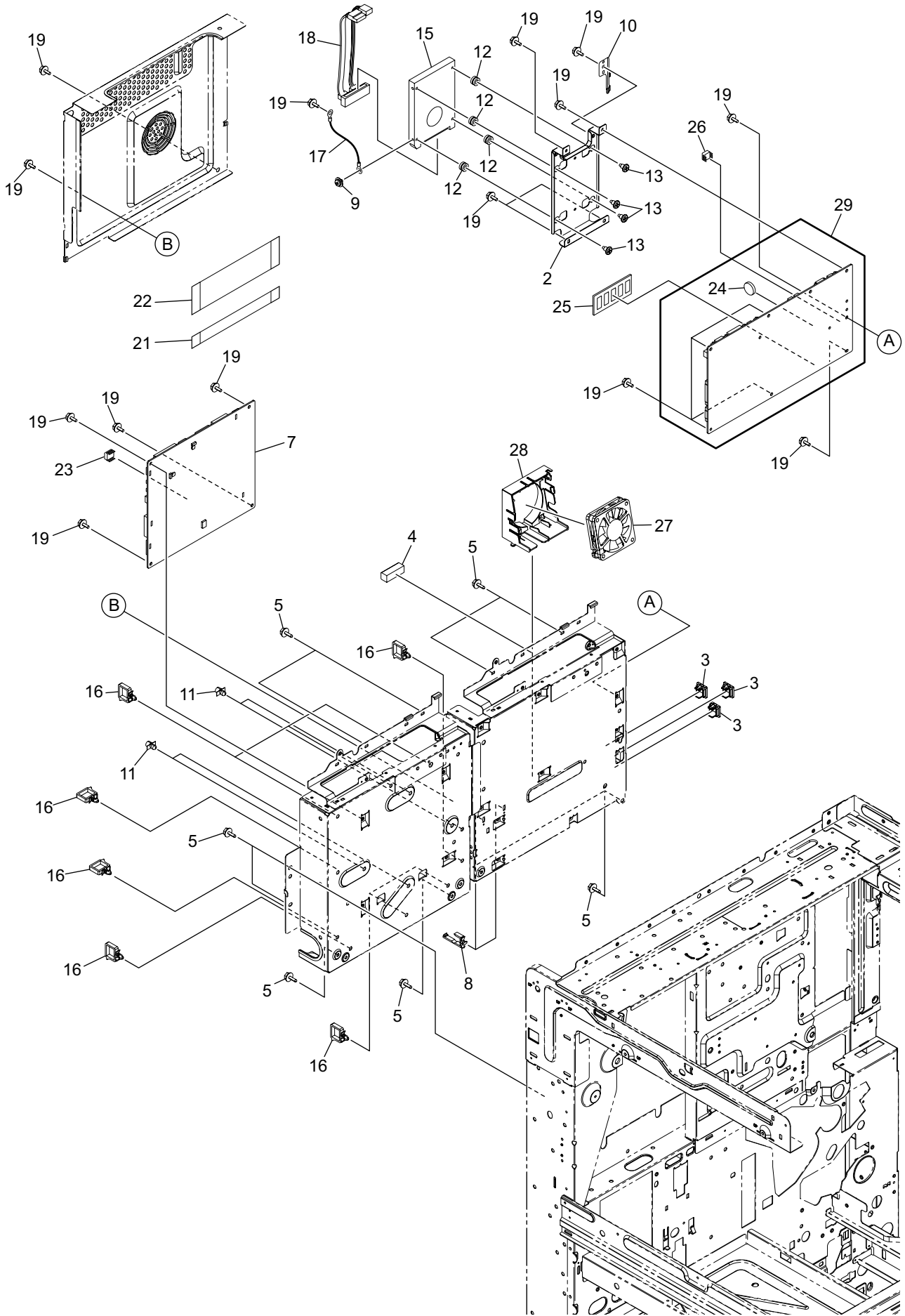
ITEM No.	PART No.	PART NAME	Q'TY / PAGE	Q'TY / PACK	REMARKS
3	6LK68900000	BUSH-RGST-BIAS-H41X	1	1/P	
4	6LH54643000	SPG-LEVER-TNR-C	1	1/P	
5	6LH54641100	LEVER-TNR-C-16X	1	1/P	
6	6LJ58074000	STUD-LVR-LOCK-F	1	1/P	
9 A	F0-01250000	MSB-1207	13	5/P	eS3518A/4518A/5018A
9 B	F0-01250000	MSB-1207	11	5/P	eS2018A/2518A/3018A
11	X0-00077000	S/PAN/SWWP-M3X8-NI	1	10/P	
13	X0-02593000	S/TPD3/FHEXM-3X8-ZU3	2	10/P	ARD,ASD,AUD,CND,CNS
15 A	6LJ52395200	HOLD-ADU-HOOK-F-K10X	1	1/P	eS2018A/2518A/3018A
16	6LA80090000	S/TPP/BID-3X8-NI	1	5/P	
18	E0-14534000	CF-LA-2KZ2-1C	1	1/C	
19 B	6LH54692000	BRKT-DHTR-DRUM-470	1	1/P	ARD,ASD,AUD,TWD
20 B	6LE64030000	HEATER-D-DRM-280E	1	1/C	ARD,ASD,AUD
20 C	6LE64029000	HEATER-D-DRM-280U	1	1/C	TWD
21 B	6LE09486000	THRMST-CS-7L	1	1/D	ARD,ASD,AUD,TWD
22 B	6LH61369000	HRNS-D/H-DRM-471	1	1/P	ARD,ASD,AUD,TWD
23 B	F0-00024000	LWS-1U	1	5/P	ARD,ASD,AUD,TWD
24 B	X0-02069000	S/TPS/BID-3X6-ZU3	2	10/P	ARD,ASD,AUD,TWD
25	6LH54655000	COVER-DHTR	1	1/P	
26	6LK50704000	RAIL-FEED-UNIT-L-H373	2	1/PP	
30	6LJ57337100	ASYB-HINGE-F_B	1	1/P	
31 A	6LJ52415200	HOLD-ADU-HOOK-F-K11X	1	1/P	eS3518A/4518A/5018A
32	X0-02420000	S/TPS/FHEXM/R-3X8-ZU3	16	10/P	NAD,ARD,ASD,AUD,MJD,TWD,CND,CNS
33	6LK68903000	SPG-BIAS-TR-F	1	1/P	
34	6LK67842000	BRKT-INTERLOCK-SW-H41X	1	1/P	
35	44204394000	SCREW20XD23	2	10/P	
36	6LK67830000	GUIDE-RAIL-FUS-F-H41X	1	1/P	
37	X0-00966000	RR/E-5-SS	3	10/P	
38	6LJ58004000	LVR-FUSER-LOCK-2	1	1/P	
39	6LJ58011200	COVER-LVR-LOCK_G	1	1/P	
40	6LK67831000	SPG-LOCK-FUS-F	1	1/P	
41	E0-15604000	DE2L-BALGY	2	1/D	
42	E0-01853000	CS1A-B2CA	1	1/D	
44	6LK72631000	HRNS-LVPS-INLCSW-H410	1	1/P	
45	6LK67819000	BEAM-FUS-DRV-F-H41X	1	1/P	
46	F0-01811000	LWS-0711S-V0	1	5/P	
47	6LJ69393000	ROLL-RAIL-CST-H21X-2	2	1/P	
48	6LJ66740100	RAIL-CST-RIGHT-PFP1	2	1/PP	
49	6LJ69392000	ROLL-RAIL-CST-H21X-1	2	1/P	
50	6LJ53749100	COV-FRT-PILLAR-CST-H21Y_S	1	1/P	
51	F0-02296000	ES-0505-2	2	5/P	
52	6LE25210000	CUSH-FRM-SCREW-380	2	1/P	
53	6LJ56973000	SCREW-ROLL-CST-H21X	2	1/P	
54	F0-01243000	LWS-1211Z	1	5/P	
56	F0-02287000	RSPC-125P	1	5/P	



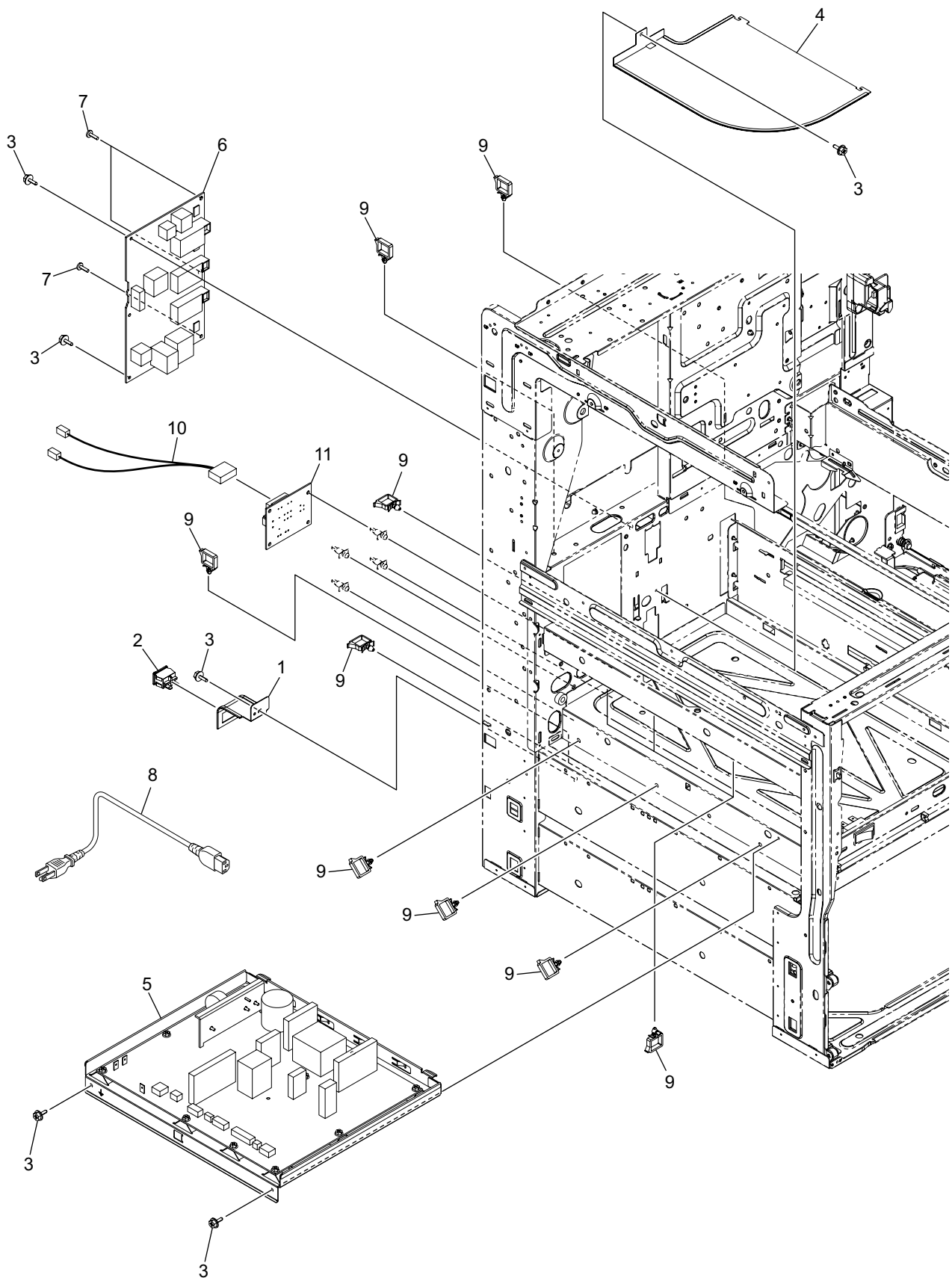
ITEM No.	PART No.	PART NAME	Q'TY / PAGE	Q'TY / PACK	REMARKS
1	6LK67213000	ASYS-PLT-DRV-DEV	1	1/P	
2	6LH53715000	GEAR-8H43_10S22-6	1	1/P	
3	6LK67210000	ASYS-BRKT-DRV-CLN	1	1/P	
4	6LA82294000	GEAR-10H29-6-CLN	1	1/P	
5	6LE85352000	SPG-DRV-CLN	1	5/P	
6	6LA82296000	CPG-DRV-CLN	1	1/P	
7	6LK67216000	GEAR-10S29_8H31-6	1	1/P	
8 A	6LK67215000	GEAR-10S23_10S33-6	1	1/P	eS2518A
8 B	6LK67217000	GEAR-10S37_8H34-6	1	1/P	eS5018A
9	6LK67209000	GEAR-10H23-6	1	1/P	
13	6LH57331000	PLT-TRU	2	1/D	
14	6LK67218000	PLT-CH-M	1	1/P	
16	6LE86050000	SPL-GRID	1	1/P	
17	6LE56606000	SPL-BIAS-RGST	1	1/C	
23	6LK67240000	SPG-TERM-DEV	1	1/P	
28	6LH53763000	SHAFT-DRV-TNR-470	1	1/P	
29 A	6LH57004300	CPG-TC-470-E	1	1/P	MJD
29 B	6LH57004100	CPG-TC-470-D	1	1/P	ASD,AUD
29 C	6LH57004200	CPG-TC-470-U	1	1/P	NAD,ARD
29 D	6LH57004400	CPG-TC-470-C	1	1/P	CND,CNS
29 E	6LH57004000	CPG-TC-470-J	1	1/P	TWD
30	6LE56611000	SPG-DRV-TN-280	1	1/P	
31	44201492000	BUSH-6-POM	1	5/P	
34	X0-00974000	RR/E-2.5-SS	1	10/P	
35	X0-00965000	RR/E-4-SS	1	10/P	
36	4407972860	STOP-RING-6-5	1	5/P	
37	6LA80090000	S/TPP/BID-3X8-NI	10	5/P	
39	6LK67237000	SPG-CH-M	1	1/P	
40	6LK67241000	SPG-BIAS-FUS	1	1/P	
41	6LK67239000	SPG-BIAS-RGST	1	1/P	
42	6LK67238000	SPG-GRID	1	1/P	
43	6LK67260000	SPG-BIAS-TR	1	1/P	
44	6LK67261000	SPG-BIAS-TR2	1	1/P	
45	6LK67858000	SPG-E-FUS-PUSH	1	1/P	
46	X0-02420000	S/TPS/FHEXM/R-3X8-ZU3	1	10/P	
47	E0-10445000	BU04P-TZ-S (LF)(SN)	1	5/P	
48	E0-10095000	BU05P-TZ-S (LF)(SN)	1	5/P	
49	E0-10450000	BU13P-TZ-S (LF)(SN)	1	5/P	
50	E0-09932000	BU14P-TZ-S (LF)(SN)	1	5/P	
51	6LJ56357000	BUSH-ROL-6	1	1/P	
52	6LJ56356000	STUD-HOOK-COV-H21Y-N	2	1/P	
53	X0-02230000	S/FHEXM-M3X6-NI	2	10/P	
54	E0-16446000	SW1AG-550	2	1/D	
55	6LJ56265100	HOLDER-SNSR-FS-21X_HS	2	1/P	
56	C0-17839000	LG2A14BL1	4	1/C	
57	6LK45350000	HRNS-PFP-EMP-H373	2	1/P	
58	6LK72509000	HRNS-LGC-TNRM-H410	1	1/P	
59	F0-02226000	RLWC-7SV0	1	5/P	
60	6LK69405000	ASYB-HOLD-SP-TNR-H41Y	1	1/C	



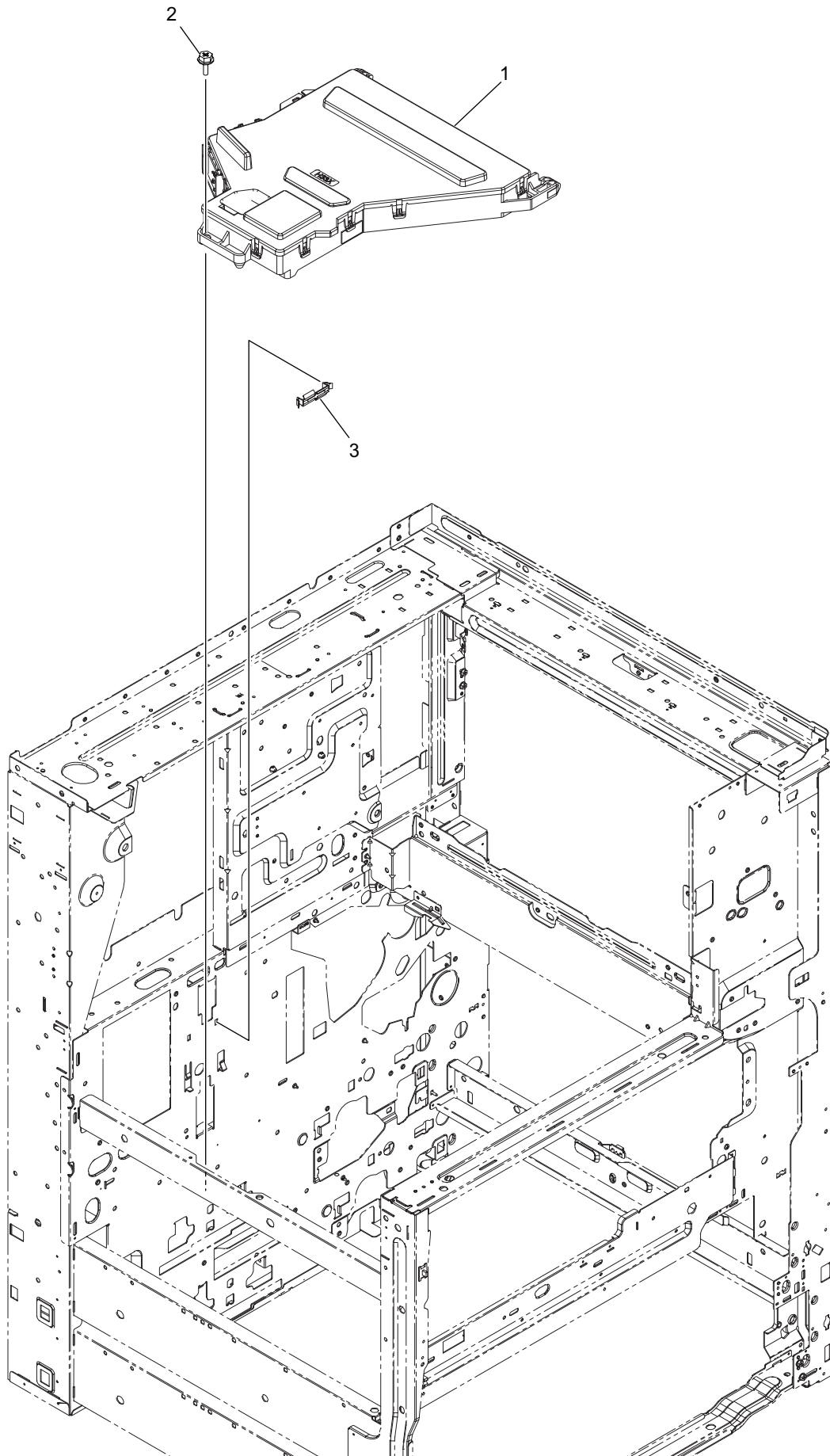
ITEM No.	PART No.	PART NAME	Q'TY / PAGE	Q'TY / PACK	REMARKS
1	6LJ53736100	COVER-RIGHT-B_H370	1	1/PP	
2	X0-02593000	S/TPD3/FHEXM-3X8-ZU3	2	10/P	
5 A	6LJ52416100	HOLD-ADU-HOOK-R-H373	1	1/P	eS3518A/4518A/5018A
6 A	E0-01853000	CS1A-B2CA	1	1/D	eS3518A/4518A/5018A
7 B	6LK67821000	HOLD-ADU-HOOK-R-H410	1	1/P	eS2018A/2518A/3018A
8	X0-02420000	S/TPS/FHEXM/R-3X8-ZU3	2	10/P	
9	6LH54676000	FOOT-FRM-BASE	2	5/P	
10	6LJ66759000	PLATE-BLIND-PFP	1	1/P	
11	X0-02419000	S/TPS/FHEXM/R-3X6-ZU3	2	10/P	



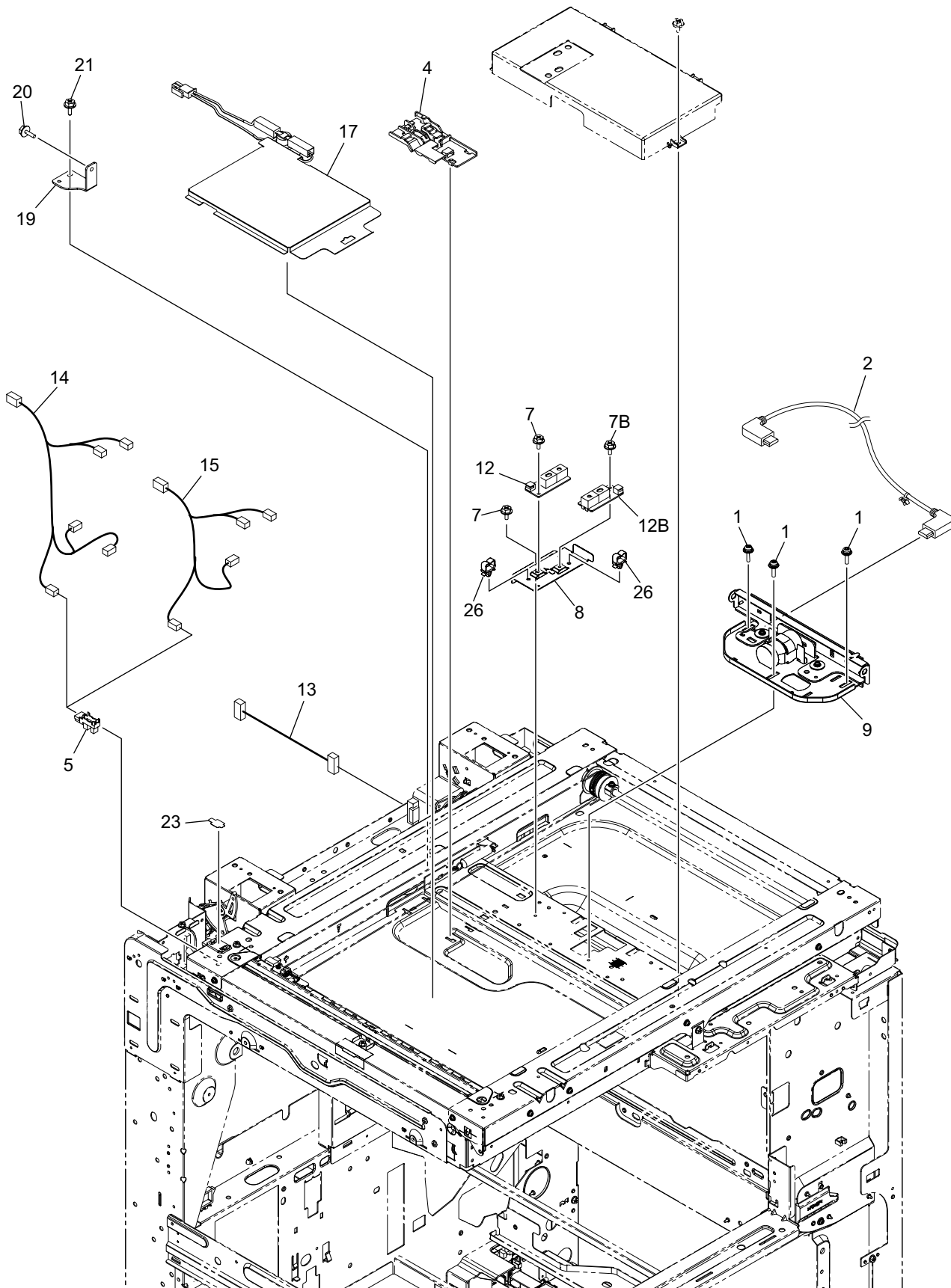
ITEM No.	PART No.	PART NAME	Q'TY / PAGE	Q'TY / PACK	REMARKS
2	6LK44716000	BRKT-HDD-H370	1	1/P	NAD,ARD,ASD,AUD,MJD,TWD,CND
3	6LK48745000	COVER-MODULAR-B	3	1/P	
4	6LK30486000	GSKT-10-10-30	1	1/P	
5	X0-02420000	S/TPS/FHEXM/R-3X8-ZU3	10	10/P	
7 A	6LK97861000	ASYB-PWA-LGC-K120S	1	1/SB	eS2018A
7 B	6LK97861100	ASYB-PWA-LGC-K121S	1	1/SB	eS2518A
7 C	6LK97861200	ASYB-PWA-LGC-K122S	1	1/SB	eS3018A
7 D	6LK97861300	ASYB-PWA-LGC-K123S	1	1/SB	eS3518A
7 E	6LK97861400	ASYB-PWA-LGC-K124S	1	1/SB	eS4518A
7 F	6LK97861500	ASYB-PWA-LGC-K125S	1	1/SB	eS5018A
8	F0-00036000	RLWS3TV0	2	5/P	
9	6LK56627000	SCREW-3X3-HDD	1	5/P	NAD,ARD,ASD,AUD,MJD,TWD,CND
10	6LK44717000	SPG-F-SYS-H370	1	1/P	NAD,ARD,ASD,AUD,MJD,TWD,CND
11	F0-00331000	SPSN-4U	4	5/P	
12	6LK44874000	INSULATOR-HDD-BNS-20	4	1/P	NAD,ARD,ASD,AUD,MJD,TWD,CND
13	6LH53114000	SCREW-HDD-CASE_M3	4	5/P	NAD,ARD,ASD,AUD,MJD,TWD,CND
15 A	G0-00728000	MQ01ABF032	1	1/C	CND
15 C	G0-00732000	MQ01ABU032W	1	1/C	NAD,ARD,ASD,AUD,MJD,TWD
16	F0-01813000	LWS-1316S-V0	10	5/P	
17	6LK45548000	HRNS-HDDFG-H370	1	1/P	NAD,ARD,ASD,AUD,MJD,TWD,CND
18	6LK45529000	HRNS-HDD-H370	1	1/P	NAD,ARD,ASD,AUD,MJD,TWD,CND
19	X0-02230000	S/FHEXM-M3X6-NI	18	10/P	NAD,ARD,ASD,AUD,MJD,TWD,CND,CNS
21	6LK83340000	HRNS-LGC-SYS1-K100	1	1/P	
22	6LK83341000	HRNS-LGC-SYS2-K110	1	1/P	
23	C0-18078000	BR24T128-W	1	1/C	
24	6LE90510G00	LI-BAT-CR-2032	1	1/S	
25 A	C0-20835000	M471B5173EB0-YK0	1	1/C	eS3018A CND,CNS
25 B	C0-20835000	M471B5173EB0-YK0	1	1/C	eS3518A/4518A/5018A
25 C	C0-19447000	M471B5674QH0-YK0	1	1/C	eS2018A/2518A/3018A NAD,ARD,ASD,AUD,MJD,TWD
26	6LK83615000	IC-F-RAM-SVP	1	1/S	
27	6LJ53202000	FAN_D-SYS-6015-H21X	1	1/D	
28	6LJ53224000	DUCT-SYS-FAN-H21X	1	1/P	
29 A	6LK97862000	ASYB-PWA-SYS-K120HS	1	1/SB	eS3518A/4518A/5018A NAD,ARD,ASD,AUD,MJD,TWD
29 B	6LK97862900	ASYB-PWA-SYS-K120LS	1	1/SB	eS2018A/2518A/3018A NAD,ARD,ASD,AUD,MJD,TWD
29 C	6LK97862100	ASYB-PWA-SYS-K121HS	1	1/SB	eS2518A CND
29 D	6LK97862200	ASYB-PWA-SYS-K122HS	1	1/SB	eS3018A CND
29 E	6LK97862300	ASYB-PWA-SYS-K123HS	1	1/SB	eS3518A CND
29 F	6LK97862400	ASYB-PWA-SYS-K124HS	1	1/SB	eS4518A CND
29 G	6LK97862500	ASYB-PWA-SYS-K125HS	1	1/SB	eS5018A CND
29 H	6LK97862600	ASYB-PWA-SYS-K122SS	1	1/SB	eS3018A CNS
29 I	6LK97862700	ASYB-PWA-SYS-K123SS	1	1/SB	eS3518A CNS
29 J	6LK97862800	ASYB-PWA-SYS-K124SS	1	1/SB	eS4518A CNS



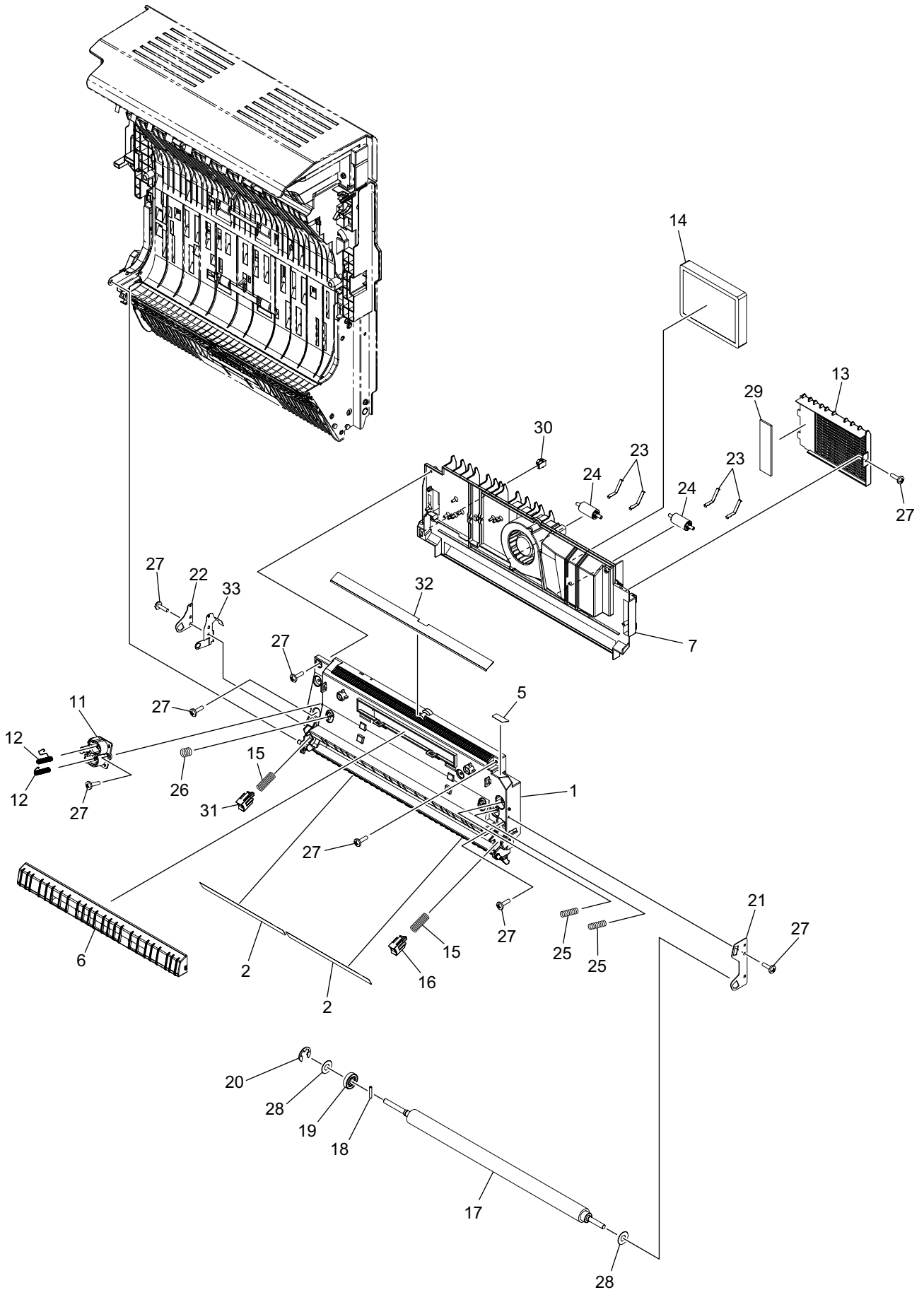
ITEM No.	PART No.	PART NAME	Q'TY / PAGE	Q'TY / PACK	REMARKS
1 A	6LJ13762000	BRKT-DHTR-SW	1	1/P	ARD,ASD,AUD,TWD
2 A	E0-11767000	AJ76101BF	1	1/P	ARD,ASD,AUD,TWD
3 A	X0-02420000	S/TPS/FHEXM/R-3X8-ZU3	6	10/P	ARD,ASD,AUD,TWD
3 B	X0-02420000	S/TPS/FHEXM/R-3X8-ZU3	5	10/P	NAD,MJD,CND,CNS
4	6LK67844000	COVER-LVPS-H41X	1	1/P	
5 A	6LK83596000	PS-ACC-K100D-PT	1	1/SB	eS2018A/2518A/3018A NAD,ARD,ASD,AUD,MJD,CND,CNS
5 B	6LK83597000	PS-ACC-K100T-PT	1	1/SB	eS3518A/4518A/5018A NAD,ARD,ASD,AUD,MJD,CND,CNS
5 C	6LK72612000	PS-ACC-H410-TW-AB	1	1/SB	eS3018A TWD
5 D	6LK72613000	PS-ACC-H413-TW-AB	1	1/SB	eS3518A/4518A/5018A TWD
6 A	6LK72529000	PS-HVT-H410-PS	1	1/SB	eS2018A/2518A/3018A
6 B	6LK72530000	PS-HVT-H413-PS	1	1/SB	eS3518A/4518A/5018A
7	6LA80090000	S/TPP/BID-3X8-NI	3	5/P	
8 A	6LJ61965000	CABLE-P-INLET-AR-C	1	1/P	ARD
8 B	6LJ62294000	CABLE-P-INLET-AU-C-S	1	1/P	AUD
8 C	6LJ62297000	CABLE-P-INLET-CCC-C-S	1	1/P	CND,CNS
8 D	6LJ62295000	CABLE-P-INLET-EUR-C-S	1	1/P	MJD
8 E	6LJ62296000	CABLE-P-INLET-NAD-15A-C-S	1	1/P	NAD
8 F	6LJ62293000	CABLE-P-INLET-UK-C-S	1	1/P	ASD
8 G	6LE95826000	CABLE-P-INLET-TWD	1	1/P	TWD
9	F0-01813000	LWS-1316S-V0	11	5/P	
10 A	6LK72464000	HRNS-DH1-H410	1	1/P	ARD,ASD,AUD,TWD,CND,CNS
11 A	6LK73067000	ASYB-PWA-DAMP	1	1/SB	ARD,ASD,AUD,TWD,CND,CNS



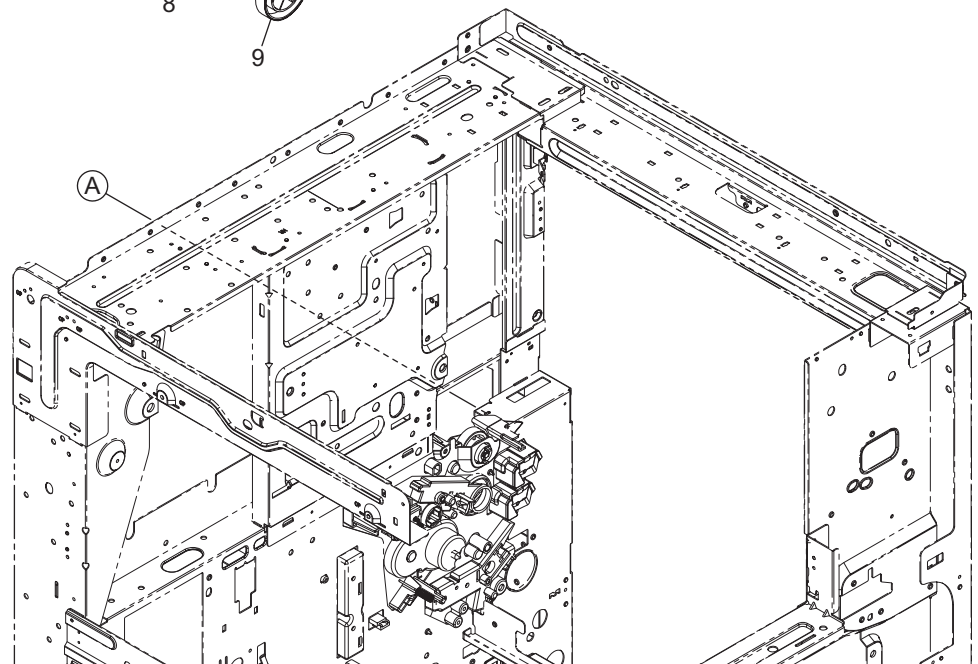
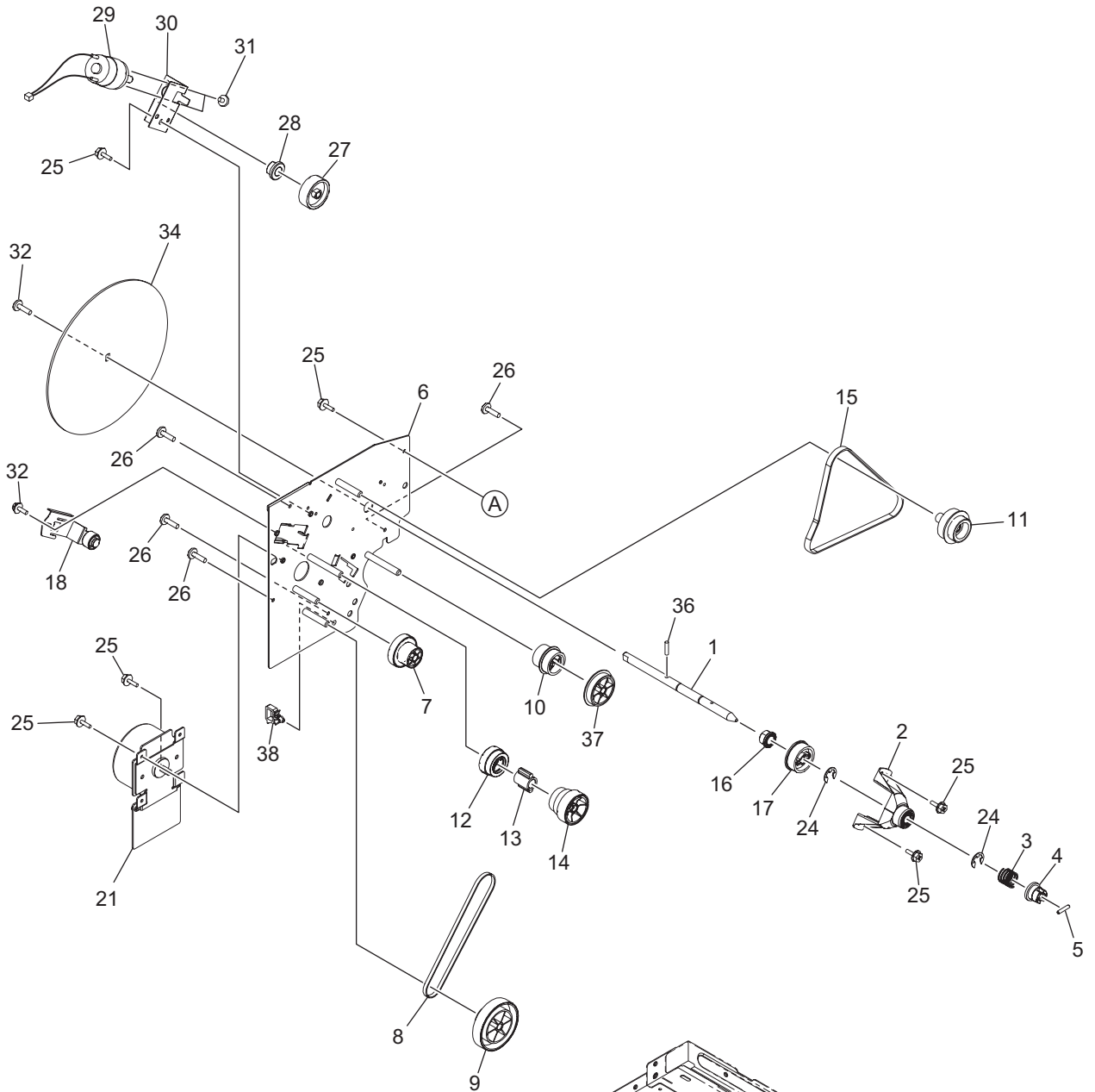
ITEM No.	PART No.	PART NAME	Q'TY / PAGE	Q'TY / PACK	REMARKS
1	6LK68310000	LSU-UNIT-H41X	1	1/S	
2	X0-02420000	S/TPS/FHEXM/R-3X8-ZU3	1	10/P	
3	F0-01418000	RFC-33V0	1	1/P	



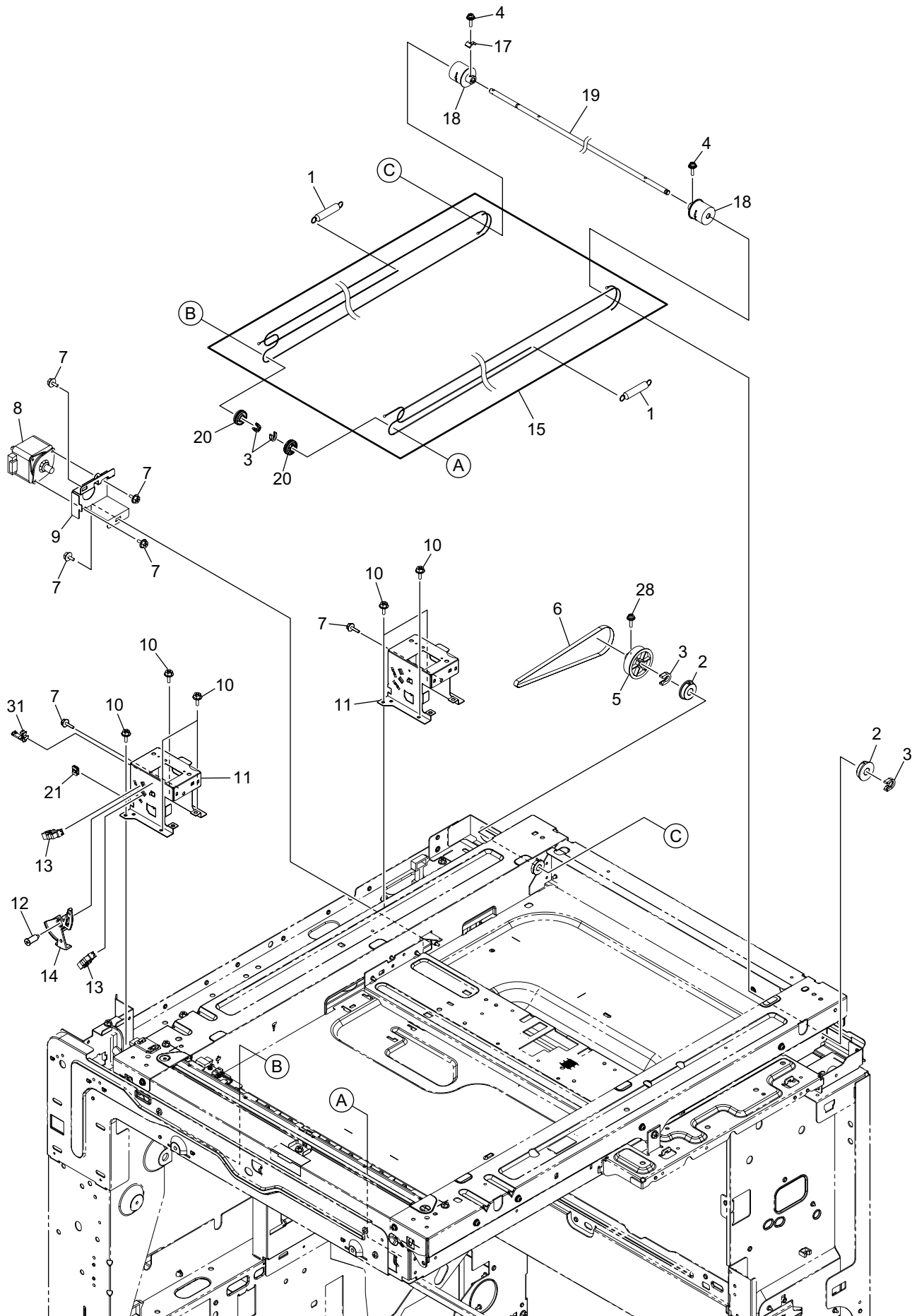
ITEM No.	PART No.	PART NAME	Q'TY / PAGE	Q'TY / PACK	REMARKS
1	X0-00077000	S/PAN/SWWP-M3X8-NI	3	10/P	
2	6LK83586000	HRNS-SCN-SYS-K100A	1	1/P	
4	6LK53203000	GUIDE-HRNS-SCAN-H370	1	1/C	
5	C0-20495000	LG2A24BL1	1	1/C	
7 A	X0-02230000	S/FHEXM-M3X6-NI	2	10/P	ARD,ASD,AUD,MJD,CND,CNS
7 B	X0-02230000	S/FHEXM-M3X6-NI	3	10/P	NAD,TWD
8	6LK53320000	BRKT-APS-H370	1	1/P	
9	6LK53304200	LENS-K1XX	1	1/S	
12 A	6LE63995000	SNSR-PS-181EL1-S42	1	1/C	ARD,ASD,AUD,MJD,TWD,CND,CNS
12 B	6LE63995000	SNSR-PS-181EL1-S42	2	1/C	NAD
13	6LJ60440000	HRNS-SCN-MOT-210	1	1/P	
14 A	6LJ61098000	HRNS-SCN-SNSR-212	1	1/P	NAD
15 A	6LJ61116000	HRNS-SCN-SNSR-A-212	1	1/P	ARD,ASD,AUD,MJD,TWD,CND,CNS
17 A	6LK53317100	ASYS-D_H-SCAN-H370-E	1	1/D	ARD,ASD,AUD
17 B	6LK53317200	ASYS-D_H-SCAN-H370-U	1	1/D	TWD
19	6LJ52385000	BRKT-CNT-SCAN-R-H21X	1	1/P	
20	X0-02231000	S/FHEXM-M3X8-NI	1	10/P	
21	X0-02420000	S/TPS/FHEXM/R-3X8-ZU3	1	10/P	
23	6LJ59840000	MYLAR-HP-SNSR-H21Y	1	5/P	
26	F0-01453000	RMS-1V0	2	5/P	



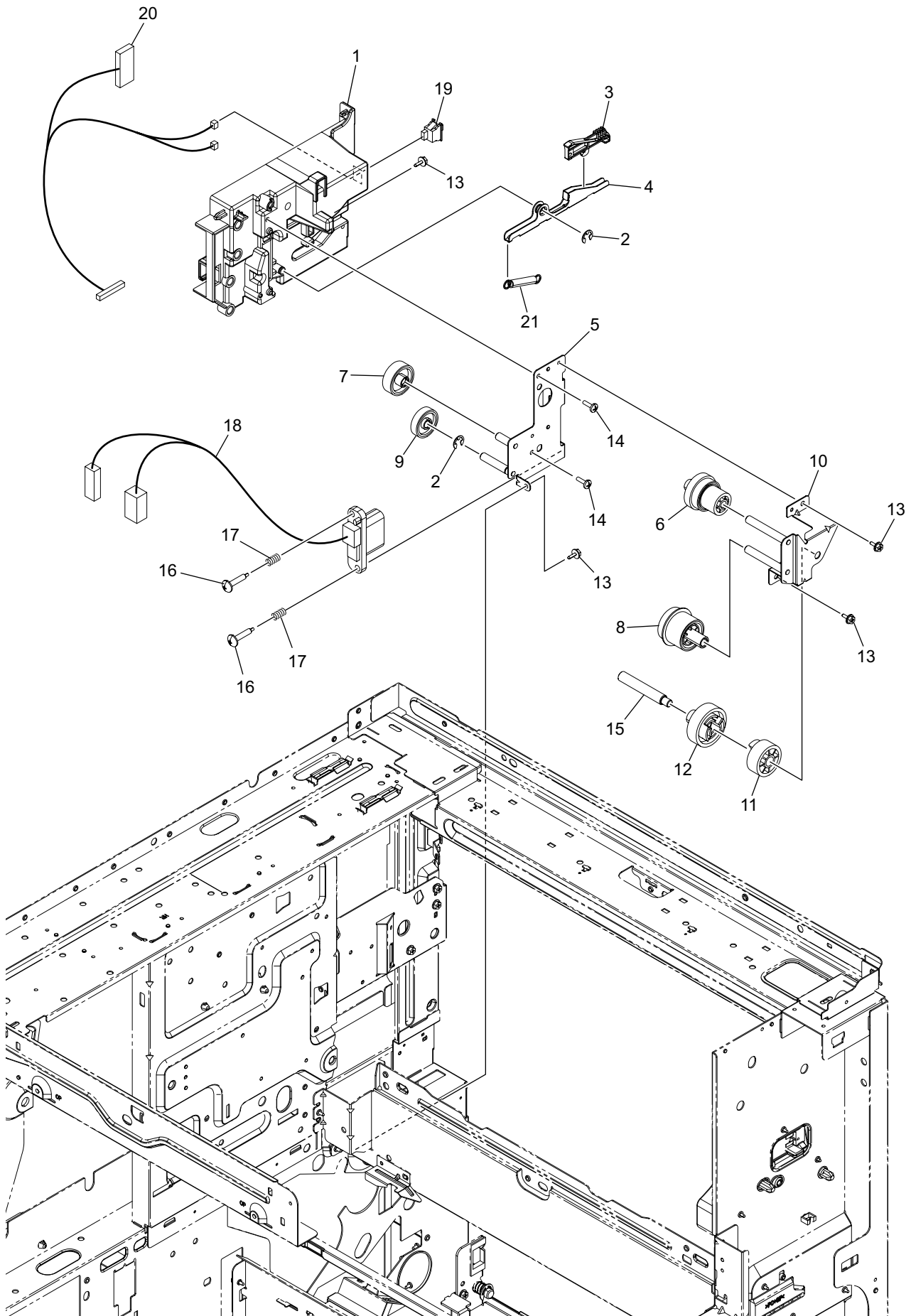
ITEM No.	PART No.	PART NAME	Q'TY / PAGE	Q'TY / PACK	REMARKS
1	6LK69618000	CASE-DUCT-H41X	1	1/C	
2	6LK50752000	MYLAR-RGST-R-H41X	2	1/KP	
5	6LK69604000	LBL-HANDL-TRU-H41X	1	1/P	
6	6LH57336000	COVER-DUCT-470	1	1/PP	
7	6LK69607000	ASYS-DUCT-INNER-H41X	1	1/PP	
11	6LH57315000	TERM-CH-TR-470	1	1/P	
12	6LH57321000	SPRING-TRU-R	2	1/P	
13	6LJ15608100	ASYS-COV-FILTER-41X	1	1/C	
14	6LJ15609000	FILTER-OZONE-H160	1	1/C	
15	6LE62403000	SPC-PUSH-RGST	2	1/P	
16	6LH56317000	PUSH-RGST-470-V	1	1/P	
17	6LH56302000	ROLLER-RGST-47X	1	1/KP	
18	X0-01526000	P/PRL/AH7-2X12-SS	1	10/P	
19	6LA85880000	GEAR-10S020-08	1	1/P	
20	X0-00968000	RR/E-7-SS	1	10/P	
21	6LK66804000	BRKT-TRU-F-H41X	1	1/P	
22	6LK66805000	BRKT-TRU-R-H41X	1	1/P	
23	6LH51237000	SPL-ADU-IDLE-LOW	4	1/C	
24	41316101000	ROLL-TRANS-IDLE	2	1/P	
25	6LH57322000	SPRING-TRU-F	2	1/P	
26	6LH57335000	SPRING-TRU-C	1	5/P	
27	6LA80090000	S/TTP/BID-3X8-NI	8	5/P	
28	6LJ14900000	WSHR-82X19-048	2	5/P	
29	6LJ15604000	SEAL-COV-FILTER-16X	1	1/P	
30	E0-07623000	292254-2	1	5/P	
31	6LH56317100	PUSH-RGST-470-BK2	1	1/P	
32	6LK95000000	SHEET-TRU-K120	1	1/KP	
33	6LK66815000	SPE-EARTH-RGST-H41X	1	1/P	



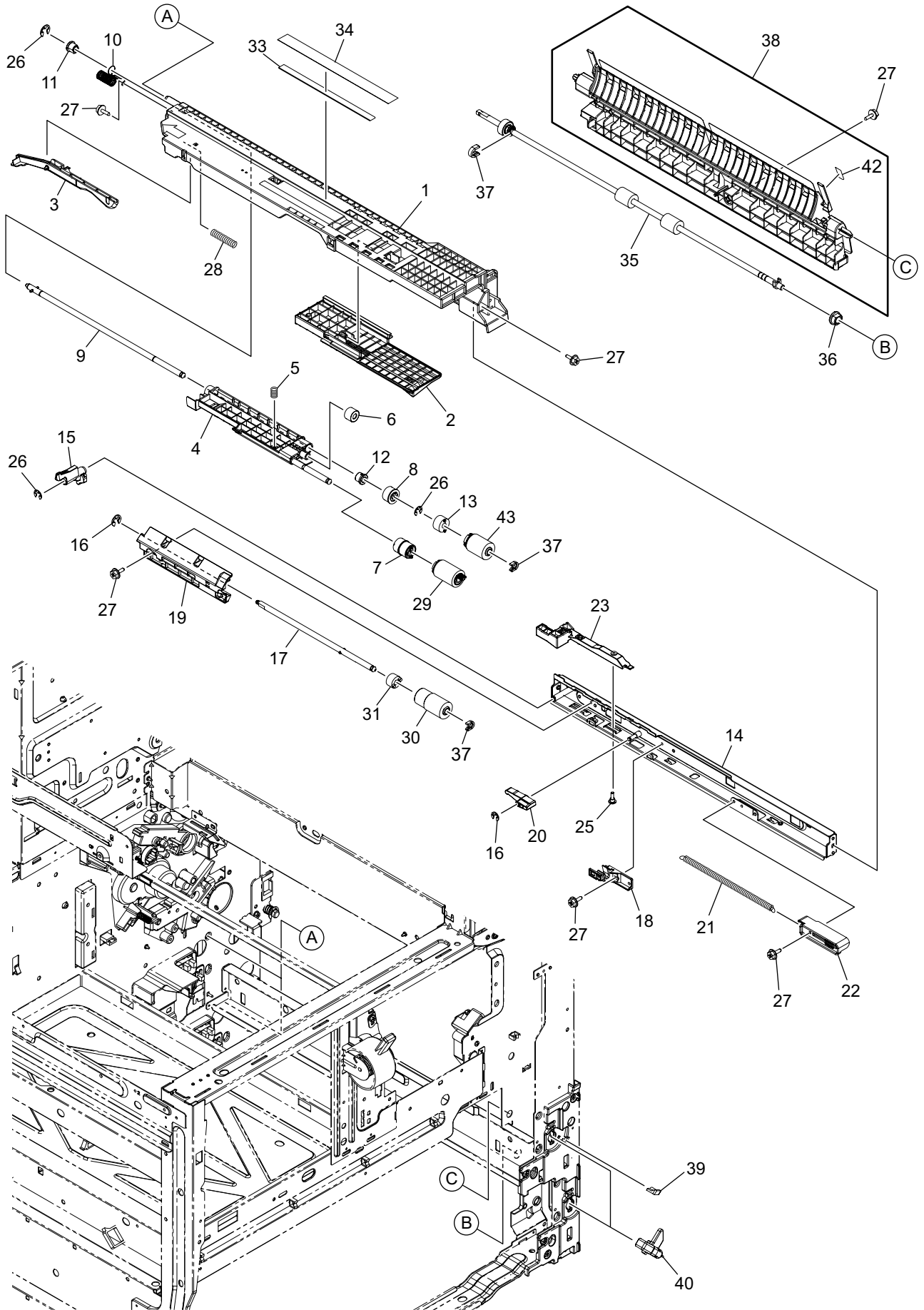
ITEM No.	PART No.	PART NAME	Q'TY / PAGE	Q'TY / PACK	REMARKS
1	6LK67248000	SHAFT-DRUM-H41X	1	1/P	
2	6LH53741000	ASYS-BUSH-DRUM-470	1	1/P	
3	6LA79504000	SPG-C-173	1	5/P	
4	41314022000	CPG-DRUM-AW5	1	1/P	
5	X0-00980000	P/PRL/AH7-2X10-SS	1	10/P	
6	6LK67205000	ASYS-PLATE-DRV-H41X	1	1/PP	
7	6LH53791000	GEAR-5H58_4H48-6	1	1/P	
8 A	6LK67242000	BLT-SY-S2M-306-4	1	1/P	eS2018A/2518A/3018A
8 B	6LK67243000	BLT-SY-S2M-314-4	1	1/P	eS3518A/4518A/5018A
9 A	6LH53792000	GEAR-4H118_PS2M30-6_L	1	1/P	eS2018A/2518A/3018A
9 B	6LH53793000	GEAR-4H118_PS2M38-6_H	1	1/P	eS3518A/4518A/5018A
10	6LK67207000	GEAR-10S20_PS2M38-6-CPL	1	1/P	
11	6LH53705000	GEAR-10H22_PS2M49-6	1	1/P	
12	6LH53739000	ASYS-GEAR-5H50-6-COUPPL	1	1/P	
13	6LE56653000	COUPPL-GR-P-JOINT-280	1	1/P	
14 A	6LH53737000	ASYS-GEAR-8H37_PS2M30-6-L	1	1/P	eS2018A/2518A/3018A
14 B	6LH53738000	ASYS-GEAR-8H37_PS2M38-6-H	1	1/P	eS3518A/4518A/5018A
15 A	6LK67244000	BLT-SY-S2M-354-6	1	1/P	eS2018A/2518A/3018A
15 B	6LK67245000	BLT-SY-S2M-360-6	1	1/P	eS3518A/4518A/5018A
16	6LJ18124000	BUSH-8X12X8F-BCF-050	1	5/P	
17	6LH53709000	PLY-S2M44-8	1	1/P	
18	6LH53796000	ASYS-BRKT-TENS-47X	1	1/P	
21 A	6LH53700000	MOTR_D-MAIN-471	1	1/C	eS2018A/2518A/3018A
21 B	6LK67252000	MOTR_D-MAIN-H413	1	1/C	eS3518A/4518A/5018A
24	X0-00968000	RR/E-7-SS	2	10/P	
25	X0-02420000	S/TPS/FHEXM/R-3X8-ZU3	6	10/P	
26	6LA80090000	S/TPP/BID-3X8-NI	4	5/P	
27	6LE56633000	GEAR-5H60L-6-WORM-TNR	1	1/P	
28	44201492000	BUSH-6-POM	1	5/P	
29	6LJ76845000	MOTRD-TNR-H24X	1	1/D	
30	6LH53761000	BRKT-DRV-TNR-470	1	1/P	
31	X0-02557000	S/BID-M2.6X3-NI	2	10/P	
32	X0-00077000	S/PAN/SWWP-M3X8-NI	2	10/P	
34	6LK67253000	FLYWHL-DRUM-47X	1	1/P	
36	X0-02425000	P/PRL/BH8-2.5X14-SS	1	5/P	
37	6LK67208000	GEAR-10S32-6-CPL	1	1/P	
38	F0-01811000	LWS-0711S-V0	1	5/P	



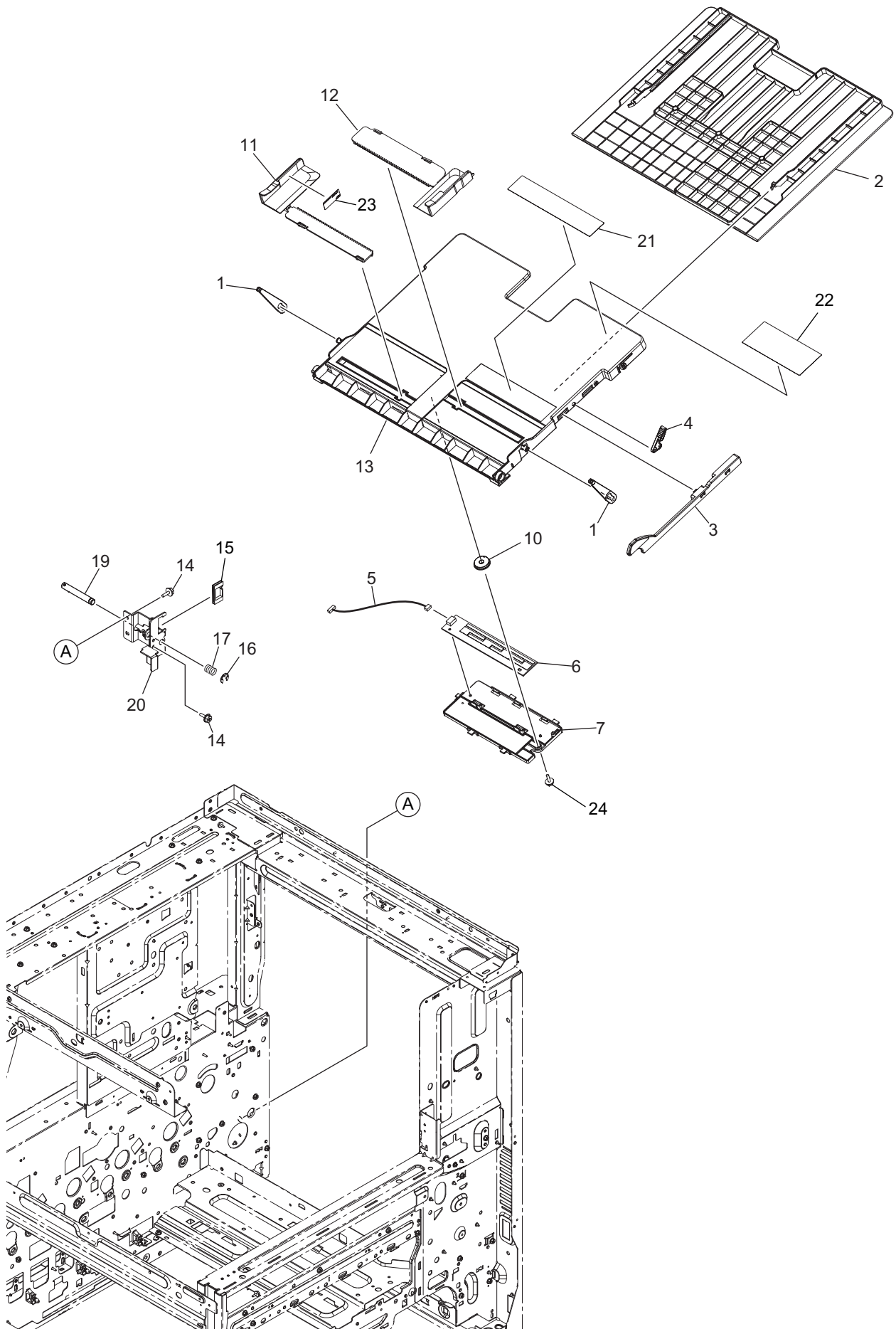
ITEM No.	PART No.	PART NAME	Q'TY / PAGE	Q'TY / PACK	REMARKS
1	6LJ15115000	SPE-WIRE-TNS-H16X-SUS	2	1/P	
2	6LJ59746000	BUSH-061505	2	1/P	
3	4407972860	STOP-RING-6-5	4	5/P	
4	X0-00094000	S/PAN/SWWP-M3X10-NI	2	10/P	
5	6LK53291000	PULLEY-SCAN-H21X	1	1/P	
6	6LJ59906000	BLT_SY-S1.5M-378-6	1	1/P	
7	X0-02230000	S/FHEXM-M3X6-NI	6	10/P	
8	6LK45488000	MOTR_S-SCN-37X	1	1/D	
9	6LK53269000	BRKT-MOT-SCAN-H370	1	1/P	
10	X0-02420000	S/TPS/FHEXM/R-3X8-ZU3	7	10/P	
11	6LK53332000	ASYS-BRKT-DF-K100	2	1/C	
12	6LK53327000	SCREW-PLATEN-LVR-H373	1	1/P	
13	C0-20495000	LG2A24BL1	2	1/C	
14	6LK53326000	LVR-OPEN-SNS-H373	1	1/P	
15 A	6LK53308000	WIRE-SCN-KIT-H373	1	1/S	Set part (Front wire & Rear wire), Except CND
15 B	6LJ59941000	WIRE-SCN-KIT-H373C	1	1/S	Set part (Front wire & Rear wire), CND
17	6LJ59727000	HOLD-PLY-SCR	1	1/P	
18	6LK53309000	PLY-WIRE-SCAN-H21X	2	1/P	
19	6LJ59728000	SHAFT-DRV-SCAN-H21X	1	1/P	
20	6LE46342000	PLY-19-410	2	1/P	
21	F0-02296000	ES-0505-2	1	5/P	
28	X0-00077000	S/PAN/SWWP-M3X8-NI	1	10/P	
31	F0-02293000	BLBWS-0206S-V0	1	5/P	



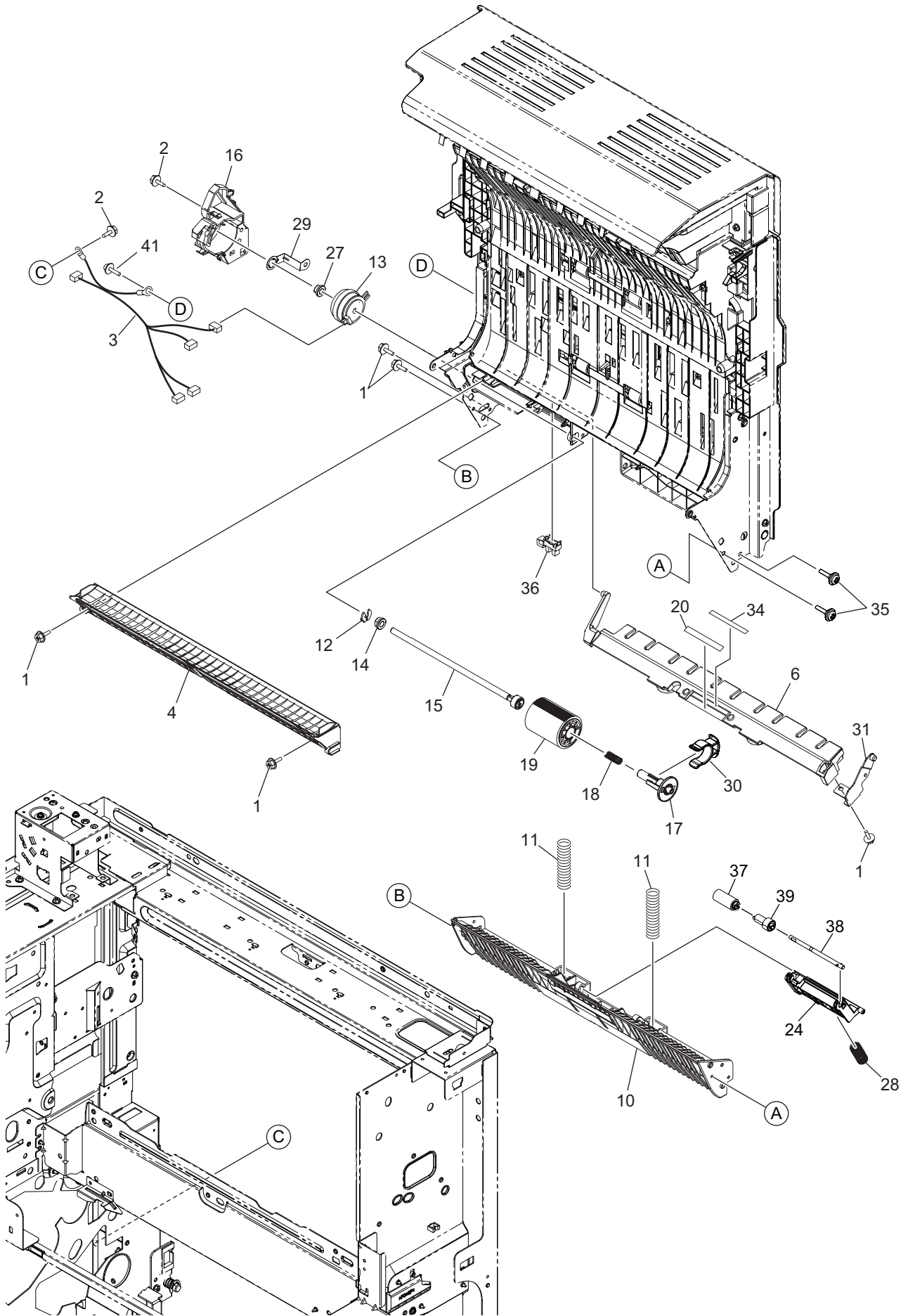
ITEM No.	PART No.	PART NAME	Q'TY / PAGE	Q'TY / PACK	REMARKS
1 A	6LK67816000	ASYS-RAIL-FUS-R-H410	1	1/PP	eS2018A/2518A/3018A
1 B	6LK67816200	ASYS-RAIL-FUS-R-K123	1	1/PP	eS3518A/4518A/5018A
2	X0-00966000	RR/E-5-SS	2	10/P	
3	6LJ58011200	COVER-LVR-LOCK_G	1	1/P	
4	6LJ58004000	LVR-FUSER-LOCK-2	1	1/P	
5	6LK67225000	ASYS-BRKT-FUS-DRW	1	1/P	
6	6LJ59213000	GEAR-8H34-10S19-6	1	1/P	
7	6LK67223000	GEAR-10H25-6	1	1/P	
8	6LK67224000	GEAR-10H26-8H31-6	1	1/P	
9	6LK67209000	GEAR-10H23-6	1	1/P	
10	6LK67229000	ASYS-BRKT-DRV-FUS-H41X	1	1/P	
11	6LJ59210000	GEAR-10H25-FUS-IN	1	1/P	
12	6LJ59204000	GEAR-8H39-8	1	1/P	
13	X0-02420000	S/TPS/FHEXM/R-3X8-ZU3	4	10/P	
14	6LA80090000	S/TPP/BID-3X8-NI	2	5/P	
15	6LK67852000	STUD-DRV-FUS	1	1/P	
16	4406326040	SCREW-D4-18-M3	2	10/P	
17	6LA14468000	SPC068-080-160	2	5/P	
18 A	6LK72421000	HRNS-ACIN1-H410	1	1/P	eS2018A/2518A/3018A
18 B	6LK72422000	HRNS-ACIN1-H413	1	1/P	eS3518A/4518A/5018A
19 A	E0-01853000	CS1A-B2CA	1	1/D	eS2018A/2518A/3018A
20 A	6LK72423000	HRNS-LGC-RELAY-H410	1	1/P	eS2018A/3518A
20 B	6LK72453000	HRNS-LGC-RELAY-H411	1	1/P	eS2018A/2518A/3018A/4518A/5018A
21	6LJ58037000	SPG-E-LVR-LOCK	1	1/P	



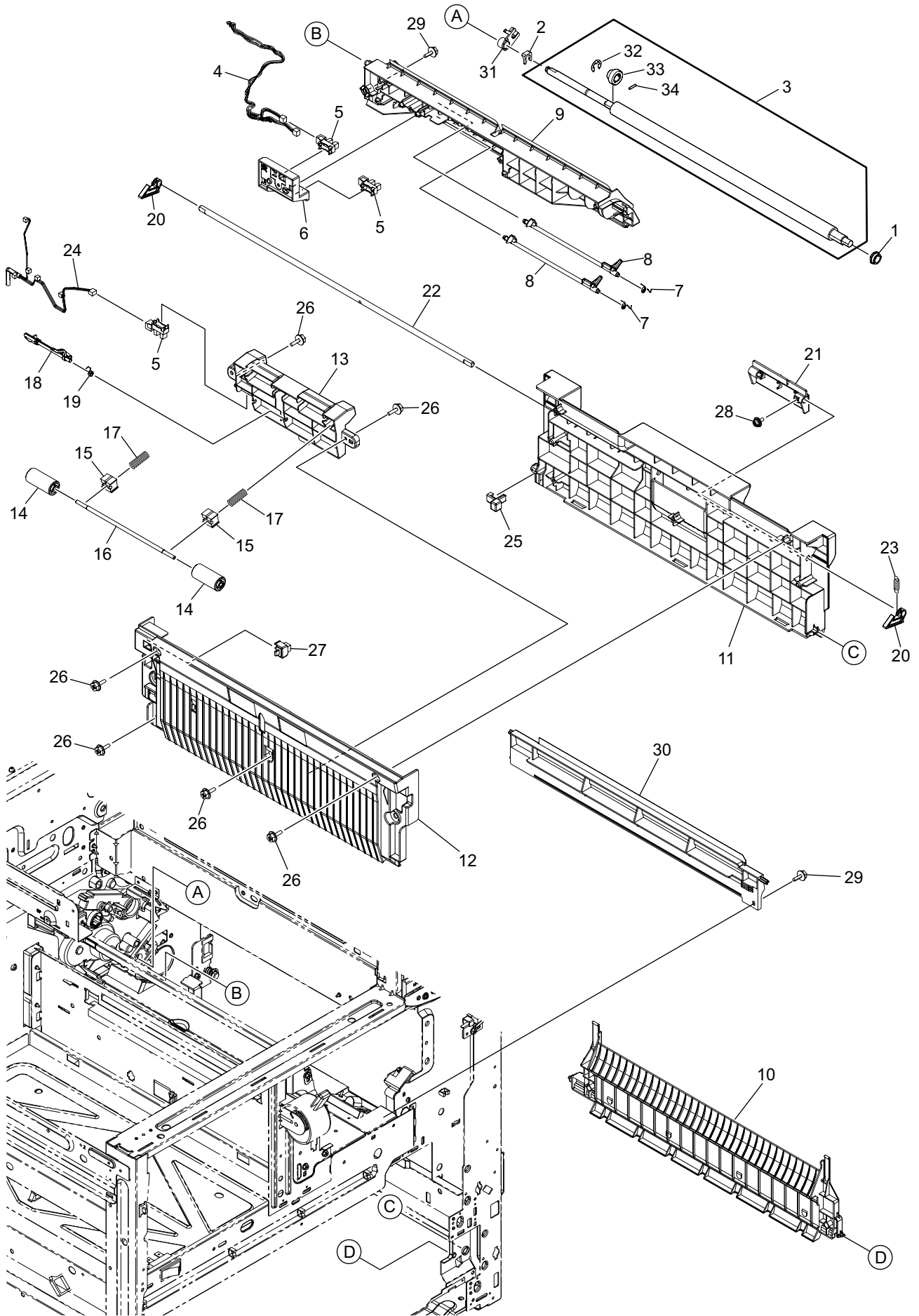
ITEM No.	PART No.	PART NAME	Q'TY / PAGE	Q'TY / PACK	REMARKS
1	6LK50760000	FRAME-FEED-H373	1	1/PP	
2	6LJ56263100	GUIDE-FEED-UP-F-21X_HS	1	1/PP	
3	6LJ56248100	ACTR-EMPTY-CST-2X_HS	1	1/P	
4	6LJ56275000	ARM-PICK-H21X_H	1	1/PP	
5	6LJ56359000	SPG-C-PU-H21Y	1	1/P	
6	6LJ56244000	GEAR-5S25-8	1	1/P	
7	6LJ56245000	GEAR-5S30-6	1	1/P	
8	6LJ56239000	ASYS-GEAR-5S30-6L	1	1/P	
9	6LJ56276000	ASYS-SFT-ROL-FEED-H21X_H	1	1/P	
10	6LJ56267000	SPG-EARTH-FEED-UNIT	1	1/P	
11	6LA03977000	BUSH-F6-GCB	1	5/P	
12	6LJ56246000	BUSH-6X10X9F-POM	1	1/P	
13	4406584800	CLUTCH-6-08L2	1	1/P	
14	6LK50706000	ASYS-STAY-FEED-H373	1	1/PP	
15	6LJ56250000	LEVER-PU-LINK-H21X_H	1	1/P	
16	X0-00964000	RR/E-3-SS	2	10/P	
17	6LJ56279000	ASYS-SHAFT-ROL-SPT-H21X_H	1	1/P	
18	6LJ56258000	GUIDE-SFT-SPT-H21X_H	1	1/P	
19	6LJ56264100	GUIDE-FEED-R-21X_HS	1	1/P	
20	6LJ56249000	ARM-SFT-SPT-H21X_H	1	1/P	
21	6LK51232000	SPG-E-SPT-H373	1	1/P	
22	6LJ56247100	HOLDER-SPE-SPT-21X_HS	1	1/P	
23	6LK50754000	SLIDER-SPT-H21X_H	1	1/P	
25	6LH05511000	SCREW-M3X8-3.2-P	1	5/P	
26	X0-00966000	RR/E-5-SS	3	10/P	
27	X0-02420000	S/TPS/FHEXM/R-3X8-ZU3	6	10/P	
28	6LK50747000	SPG-C-SLIDER-H370	1	1/P	
29	6LJ56242000	ASYS-ROLL-FEED-H21X_H	1	1/P	
30	6LK50742000	ASYS-ROLL-SPT-H373	1	1/P	
31	6LJ56289000	TL-SEP-ORG-400	1	1/P	
33	6LJ56296000	RUBBER-SPACE-FEED	1	1/P	
34	6LJ56295000	MYLAR-SPACE-FEED	1	1/P	
35	6LK50768100	ASYB-ROL-TRANS-K12X	1	1/KP	
36	44201492000	BUSH-6-POM	1	5/P	
37	4407972860	STOP-RING-6-5	3	5/P	
38	6LJ56340300	ASYB-GUIDE-FEED-L-H373	1	1/PP	
39	41306265000	STOP-RING-8	1	1/P	
40	6LJ56274100	LEVER-FEED-UNIT-21X_HS	2	1/P	
42	6LJ54687000	LBL-HNDL-WTNR-21X	1	1/P	
43	6LK50739000	ASYS-ROLL-FEED-H373	1	1/P	



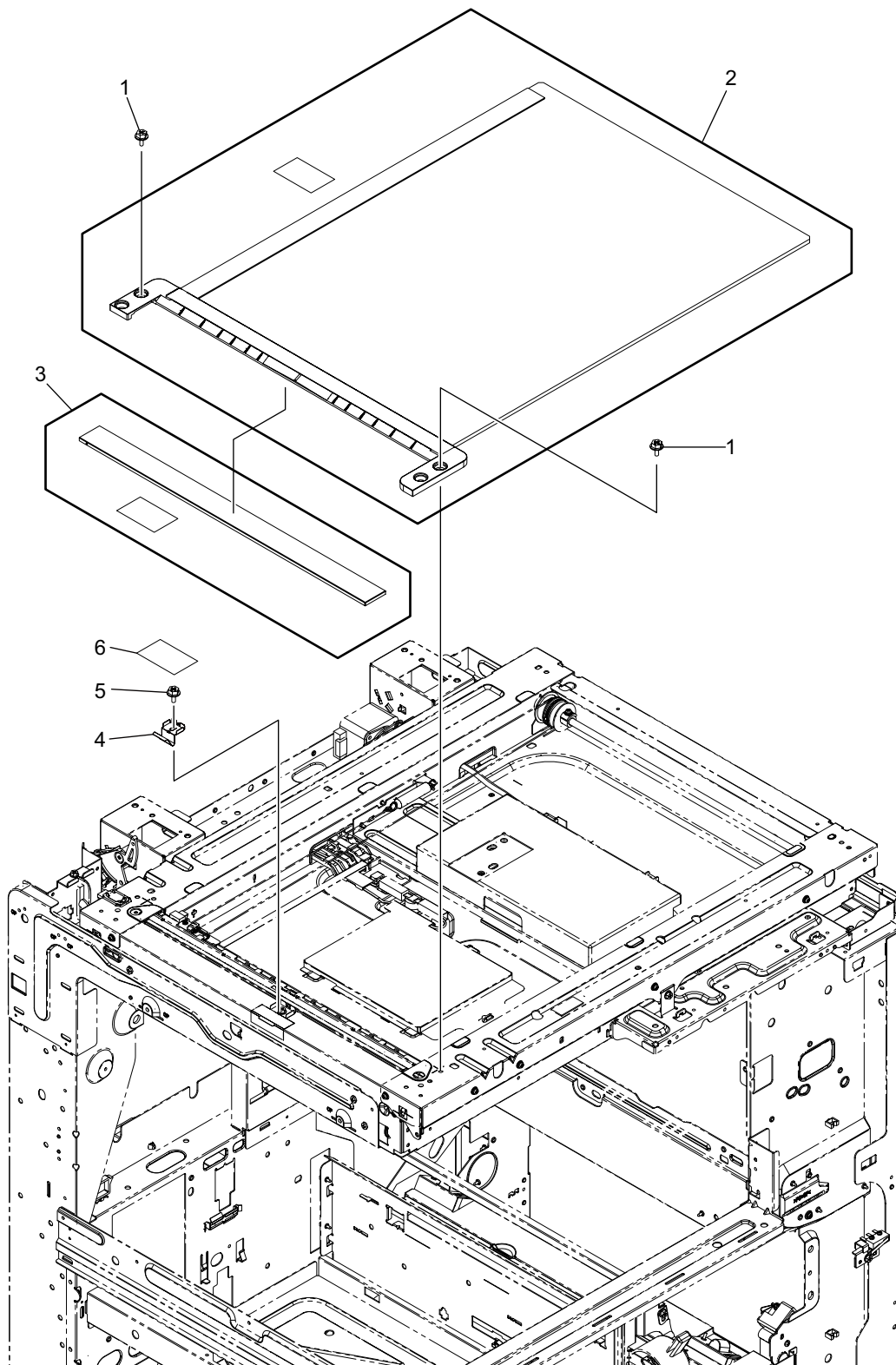
ITEM No.	PART No.	PART NAME	Q'TY / PAGE	Q'TY / PACK	REMARKS
1	6LK51401000	ARM-SFB-H373	2	1/P	
2	6LJ57001200	TRAY-LWR-SFB-H370	1	1/PP	
3	6LK51413000	LINK-TRAY-SFB-H373	1	1/P	
4	6LJ57004000	LEVER-TRAY-SFB-H21X-L	1	1/P	
5	6LJ60213000	HRNS-SFB-SIZE-210	1	1/P	
6	6LK46376000	PWA-H-SFB-370	1	1/SB	
7	6LJ57010200	HOLDER-PWA-SFB-H370	1	1/PP	
10	4407726480	PINION-18-395	1	1/P	
11	6LJ57012200	GUIDE-TRAY-SFB-R-H370	1	1/PP	
12	6LK51418000	ASYS-GUIDE-SFB-F-H370	1	1/PP	
13	6LJ57136200	TRAY-UPR-SFB-H370	1	1/PP	
14	X0-02593000	S/TPD3/FHEXM-3X8-ZU3	2	10/P	
15	6LK44840000	EDS-1710L-V0-BK	1	5/P	
16	X0-00968000	RR/E-7-SS	1	10/P	
17	6LK51609000	SPG-C-HINGE-COV-SIDE-H37X	1	1/P	
19	6LK51610000	ASYS-STUD-HINGE-ADU-H37X	1	1/P	
20	6LJ57307100	BRKT-HINGE-ADU-R_B	1	1/P	
21 A	6LK51435000	LBL-TRAY-C-H370	1	1/P	TWD,CND,CNS
21 B	6LK51434000	LBL-TRAY-E-H370	1	1/P	ARD,ASD,AUD,MJD
21 C	6LK51432000	LBL-TRAY-U-H370	1	1/P	NAD
22	6LK51427000	LBL_O-GUIDE-SFB-H370	1	1/KP	
23	6LJ57073000	LBL-HIGH-TRAY-H21X	1	1/P	
24	X0-02247000	S/TPP/FHEXM-3X8-NI	1	10/P	



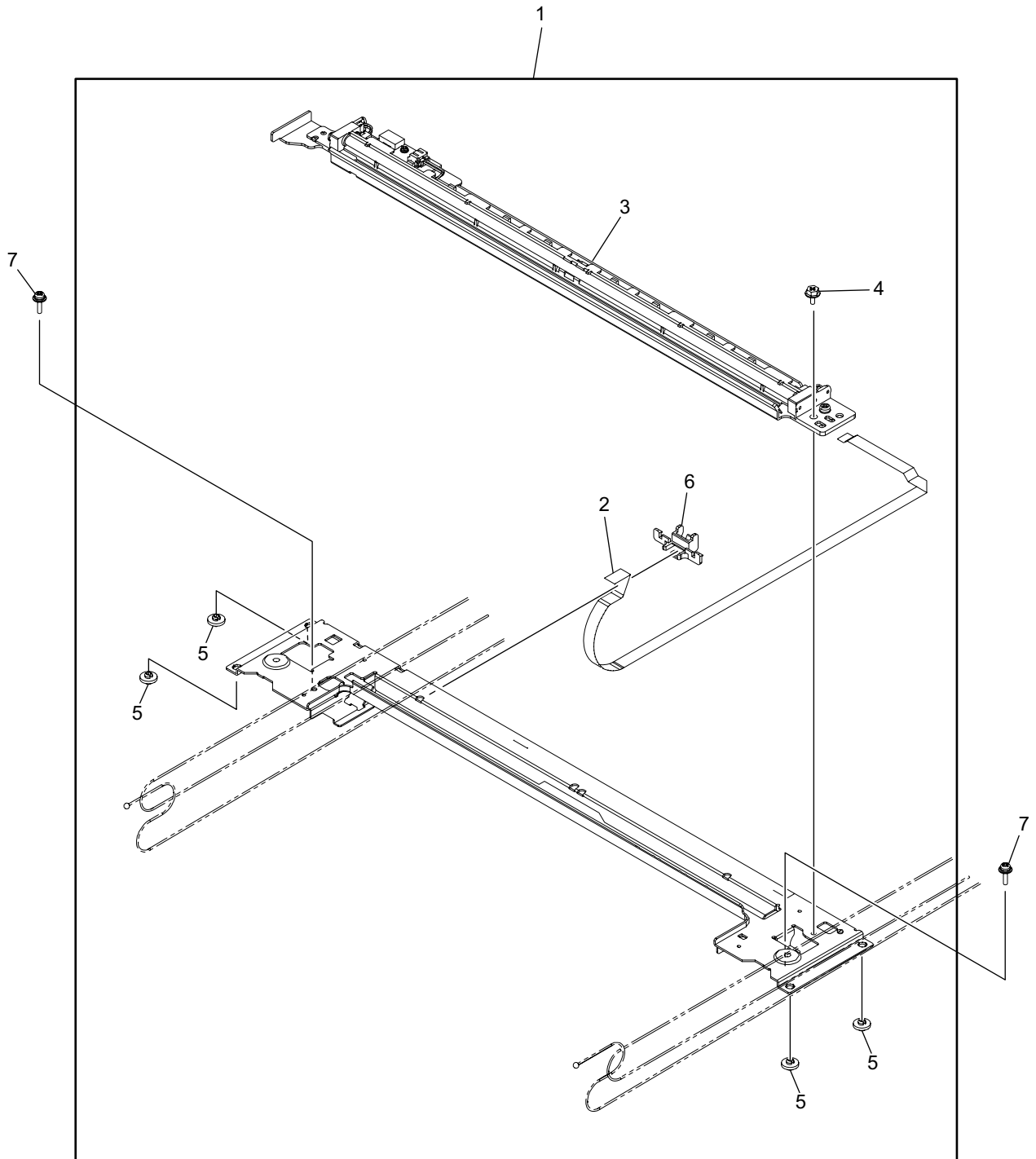
ITEM No.	PART No.	PART NAME	Q'TY / PAGE	Q'TY / PACK	REMARKS
1	X0-02247000	S/TPP/FHEXM-3X8-NI	5	10/P	
2	X0-02420000	S/TPS/FHEXM/R-3X8-ZU3	2	10/P	
3	6LK72467000	HRNS-SFB-H410	1	1/P	
4	6LK50708000	ASYS-GID-FEED-RU-H370	1	1/PP	
6	6LK51426000	ASYS-TRAY-FEED-SFB-H373	1	1/PP	
10	6LK51400000	GUIDE-FEED-SFB-H373	1	1/PP	
11	6LK51420000	SPC-TRAY-SFB-H373	2	1/P	
12	44201801000	STOP-RING-6-1.5	1	5/P	
13	6LH51224000	CLUTCH-50C-G28-6	1	1/D	
14	44201492000	BUSH-6-POM	1	5/P	
15	6LJ57091000	SHAFT-ROL-SFB-H21Y	1	1/P	
16	6LJ57115100	HOLDER-DRIVE-SFB-H21X-L_S	1	1/D	
17	6LJ57007000	COLAR-ROLL-SFB-H21X	1	1/P	
18	6LJ57018000	SPC-ROL-SFB-H21X	1	1/P	
19	6LJ57026000	ASYS-ROL-SFB-H21X	1	1/P	
20	6LK51448000	SHEET-PLATE-SLIP-G-UP	1	5/P	
24	6LK51423200	ASYS-HLDR-SFB-H373N	1	1/P	
27	6LJ55543000	BUSH-6-BCF-050	1	1/P	
28	6LK51421000	SPC-SPT-SFB-H373	1	1/P	
29	6LJ57114000	SPG-F-SFB-EARTH-H21Y	1	1/C	
30	6LJ57127100	STOPPER-ROL-SFB-H390	1	1/P	
31	6LK51409000	ASYS-BRKT-TRAY-SFB-H373	1	1/P	
34	6LK51449000	SHEET-PLATE-SLIP-G-DOWN	1	5/P	
35	6LK51446000	SCREW-M3-D4X2	2	5/P	
36	C0-17839000	LG2A14BL1	1	1/C	
37	6LK51438000	ASYS-ROL-SPT-SFB-H373	1	1/P	
38	6LK51417000	ASYS-SHAFT-SPT-SFB-H373	1	1/P	
39	6LK51408000	TL-SPT-SFB-ORG-H373	1	1/D	
41	X0-02040000	S/TPP/FPAN-3X10-NI	1	10/P	



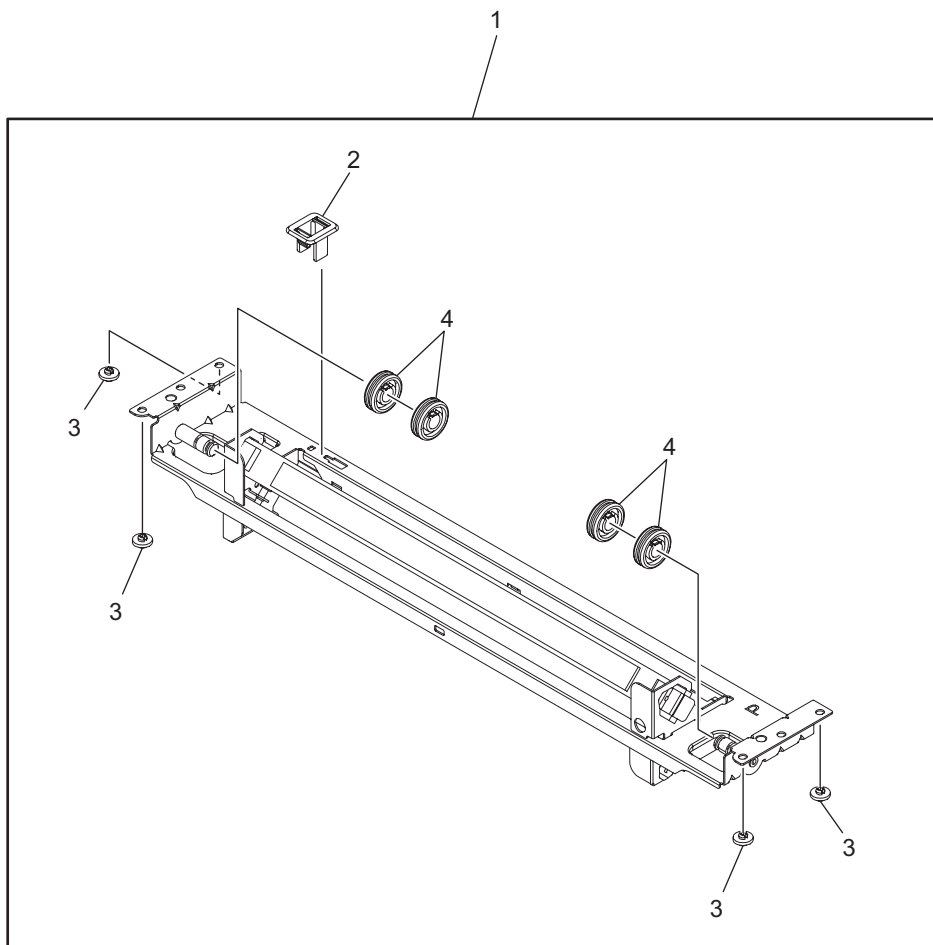
ITEM No.	PART No.	PART NAME	Q'TY / PAGE	Q'TY / PACK	REMARKS
1	6LJ18124000	BUSH-8X12X8F-BCF-050	1	5/P	
2	41306265000	STOP-RING-8	1	1/P	
3	6LK68902000	ASYB-ROL-RGST-H41X	1	1/KP	
4	6LK72608000	HRNS-SNR-H410	1	1/P	
5	C0-17839000	LG2A14BL1	3	1/C	
6	6LJ56205100	HOLDER-SNSR-RGST-21X_LS	1	1/P	
7	6LJ56206000	SPG-ACT-FEED-H21X_L	2	1/P	
8	6LJ56200000	ACTR-FEED-H21X_L	2	1/KP	
9	6LK67604000	ASYS-GUIDE-RGST-L-H41X_L	1	1/PP	
10	6LK50701000	GUIDE-TRANS-OPEN-H373	1	1/C	
11	6LJ56303100	COVER-FEED-LOW-H373	1	1/PP	
12	6LK50756000	GUIDE-FEED-R-LOW-H373	1	1/PP	
13	6LJ56306100	HOLDER-ROL-IDL-TRNS-21Y_S	1	1/P	
14	6LH57916000	ROL-RELAY-IDL-PFP	2	1/P	
15	6LH34715000	BUSH-FEED-IDL	2	5/P	
16	6LK50736000	SHAFT-RELAY-IDL-H373	1	1/P	
17	6LK50735000	SPG-C-ROL-TRNS-H373	2	1/P	
18	6LH57921000	ACTR-LOIRE-PFP	1	1/D	
19	6LH57936000	SPG-T-SNSR-LOW-350	1	5/P	
20	6LH58005000	HOOK-COVER-PFP	2	1/P	
21	6LH57995200	KNOB-COVER-LOIRE-W2	1	1/P	
22	6LJ56309000	SHAFT-HOOK-COV-H21Y	1	1/P	
23	6LH58002000	SPG-E-4R9XR6X18R2-HOOK	1	1/P	
24	6LK45399000	HRNS-PFU-COV-H373	1	1/P	
25	44201629000	STOPPER-COV-FED	1	1/P	
26	X0-02247000	S/TPP/FHEXM-3X8-NI	6	10/P	
27	4402859600	SP-CS3A-B2BA	1	1/D	
28	X0-00060000	S/PAN/SWWP-M3X6-NI	1	10/P	
29	X0-02420000	S/TPS/FHEXM/R-3X8-ZU3	2	10/P	
30	6LK94300000	ASYS-GUIDE-RGST-U-K12X	1	1/PP	
31	6LE57224000	GUIDE-BUSH-RGST-R	1	1/P	
32	X0-00968000	RR/E-7-SS	1	10/P	
33	6LE57208000	GEAR-10S015-08	1	1/P	
34	X0-00980000	P/PRL/AH7-2X10-SS	1	10/P	



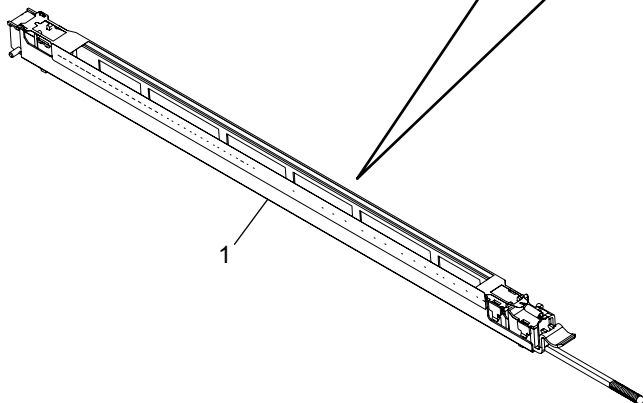
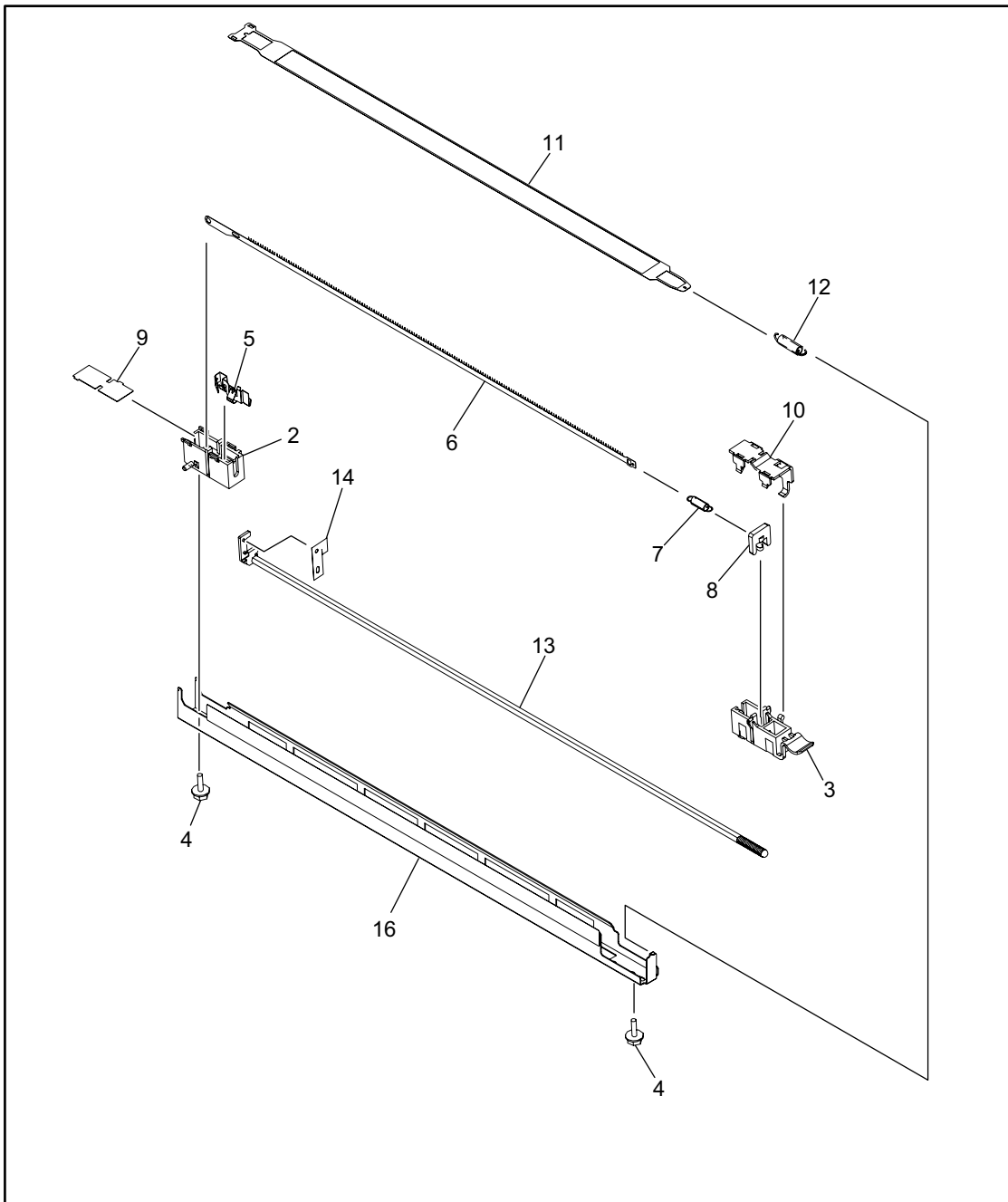
ITEM No.	PART No.	PART NAME	Q'TY / PAGE	Q'TY / PACK	REMARKS
1	X0-02671000	S/FHEXM-M3X6-ZB3	2	10/P	
2 A	6LK53359300	ASY-GLASS-KIT-K1XX-W3_A	1	1/S	ARD,ASD,AUD,MJD
2 B	6LK53359500	ASY-GLASS-KIT-K1XX-W3_K	1	1/S	TWD,CND,CNS
2 C	6LK53359400	ASY-GLASS-KIT-K1XX-W3_L	1	1/S	NAD
3	6LK53358000	ASY-GLASS-ADF-KIT-K1XX	1	1/S	
4	6LK53343000	SPL-GLS-DF-K1XX	1	1/P	
5	X0-02230000	S/FHEXM-M3X6-NI	1	10/P	NAD,ARD,ASD,AUD,MJD,TWD,CND,CNS
6	6LK53356000	MYLAR-BASE-SCAN-K1XX	1	1/P	



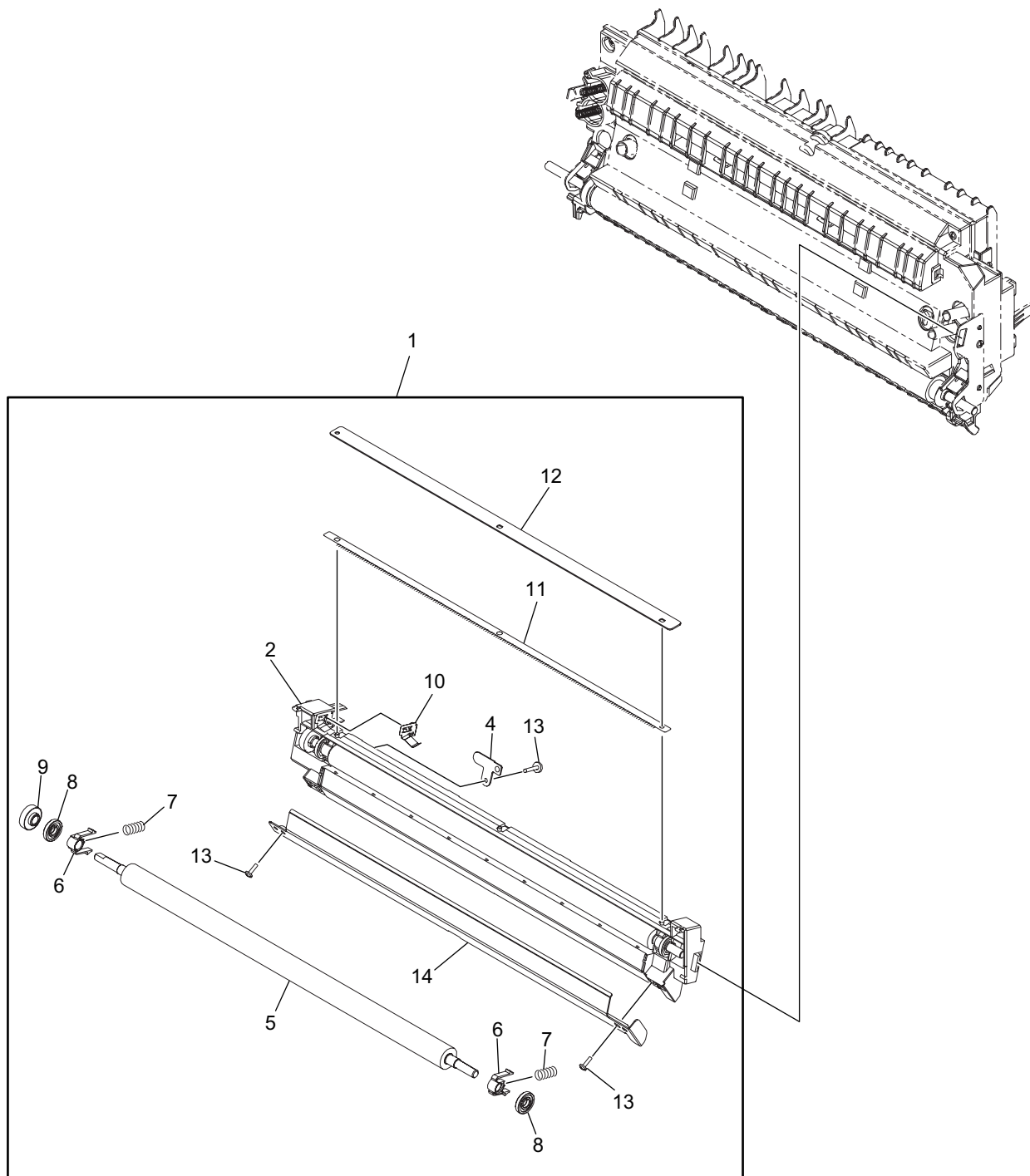
ITEM No.	PART No.	PART NAME	Q'TY / PAGE	Q'TY / PACK	REMARKS
1	6LK53302200	CRG1-K100	1	1/S	
2	6LK45425000	HRNS-SCN-LED-370	1	1/C	
3	6LK45490000	LAMP-SCN-LED-H37X	1	1/C	
4	X0-02113000	S/PAN-M3X4-NI	1	10/P	
5	6LJ59748000	FOOT-CRG-H21X	4	1/P	
6	6LK53219000	HLDR-HRNS-CRG1-H370	1	1/P	
7	X0-00077000	S/PAN/SWWP-M3X8-NI	2	10/P	



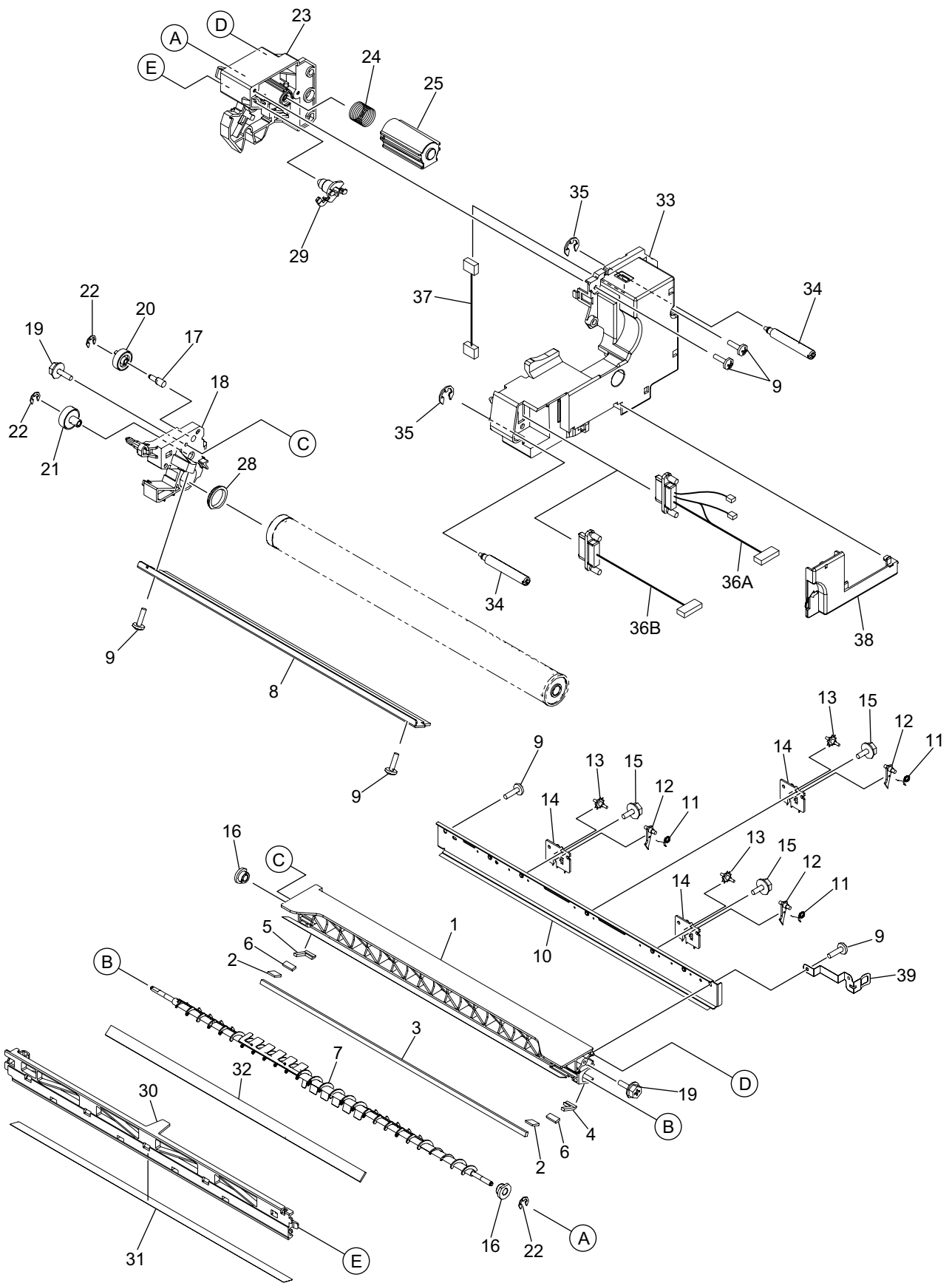
ITEM No.	PART No.	PART NAME	Q'TY / PAGE	Q'TY / PACK	REMARKS
1	6LK53300000	CRG2-H373	1	1/S	
2	6LK53214000	HLDR-HRNS-CRG2-H370	1	1/P	
3	6LJ59748000	FOOT-CRG-H21X	4	1/P	
4	6LJ59707000	PLY-19-H21X	4	1/P	



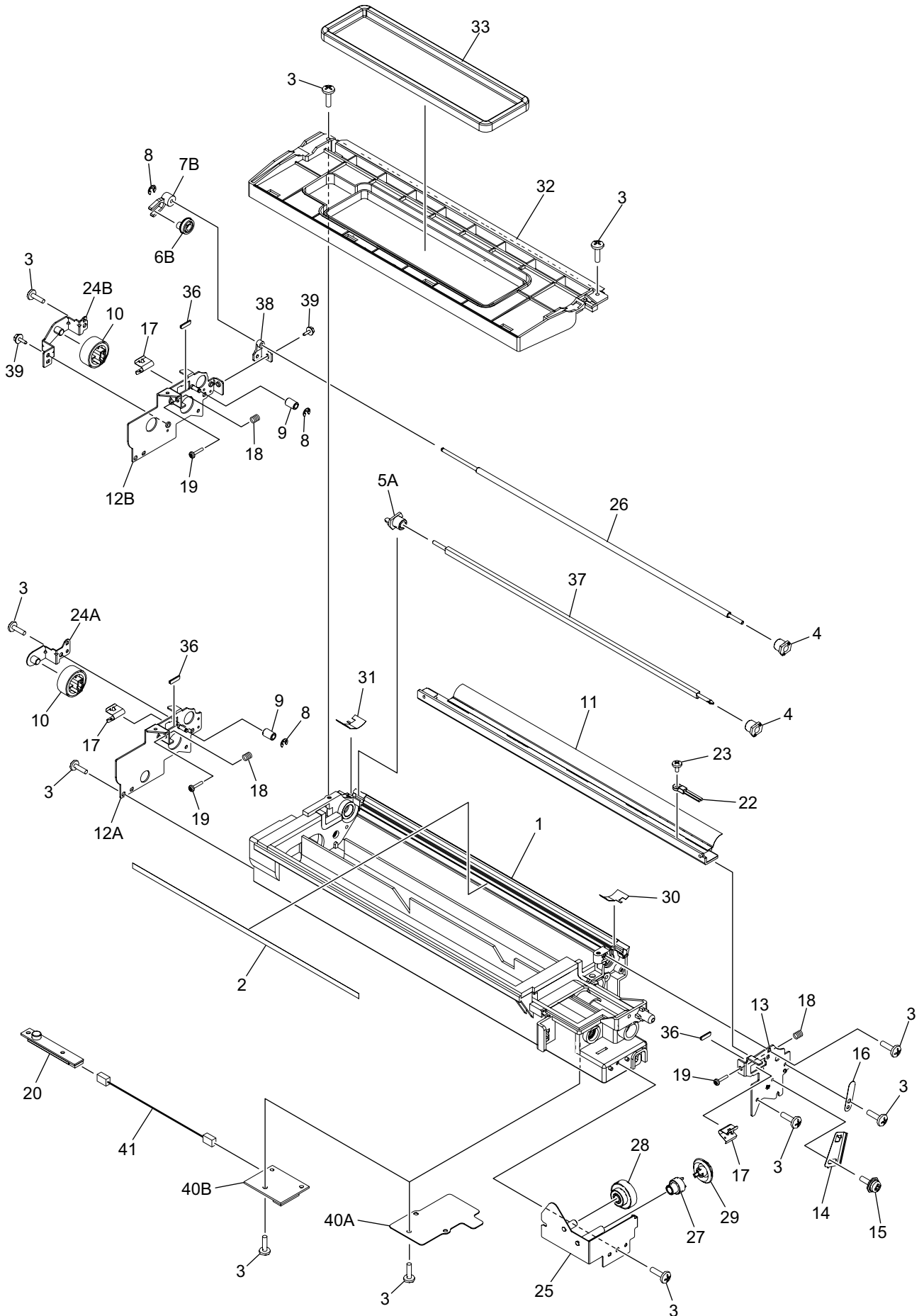
ITEM No.	PART No.	PART NAME	Q'TY / PAGE	Q'TY / PACK	REMARKS
1 A	6LH55800500	ASYB-CH-M-K120	1	1/C	eS2018A/2518A/3018A
1 B	6LH55800600	ASYB-CH-M-K123	1	1/C	eS3518A/4518A/5018A
2 A	6LA84915000	TERM-CH-M-R	1	1/P	eS2018A/2518A/3018A
2 B	6LH55803000	TERM-CH-M-R-473	1	1/P	eS3518A/4518A/5018A
3	6LA84910000	TERM-CH-M-F	1	1/P	
4	X0-02247000	S/TTPP/FHEXM-3X8-NI	2	10/P	
5	6LA84922000	SPL-CH-M-R	1	1/P	
6 A	6LH25001000	CH-M	1	1/KP	eS2018A/2518A/3018A
6 B	6LK26200000	CH-M-330	1	1/KP	eS3518A/4518A/5018A
7	6LA84935000	SPRING-TENS-CH	1	5/P	
8	4401764730	HANGER-WIRE-TR	1	1/P	
9	6LH29501000	LID-CH-M-R	1	1/P	
10	6LA84944100	LID-CH-M-F_16X	1	1/P	
11	6LA84930000	GRID-CH-M-371	1	1/KP	
12	6LK94001000	SPG-E-GRID	1	1/P	
13	6LA84938300	ROD-CLN-CH-S_GG	1	1/KP	
14	6LA84941000	MYLAR-CLN-CH	1	5/P	
16	6LH55806200	ASYS-CASE-CH-M_K12X	1	1/C	



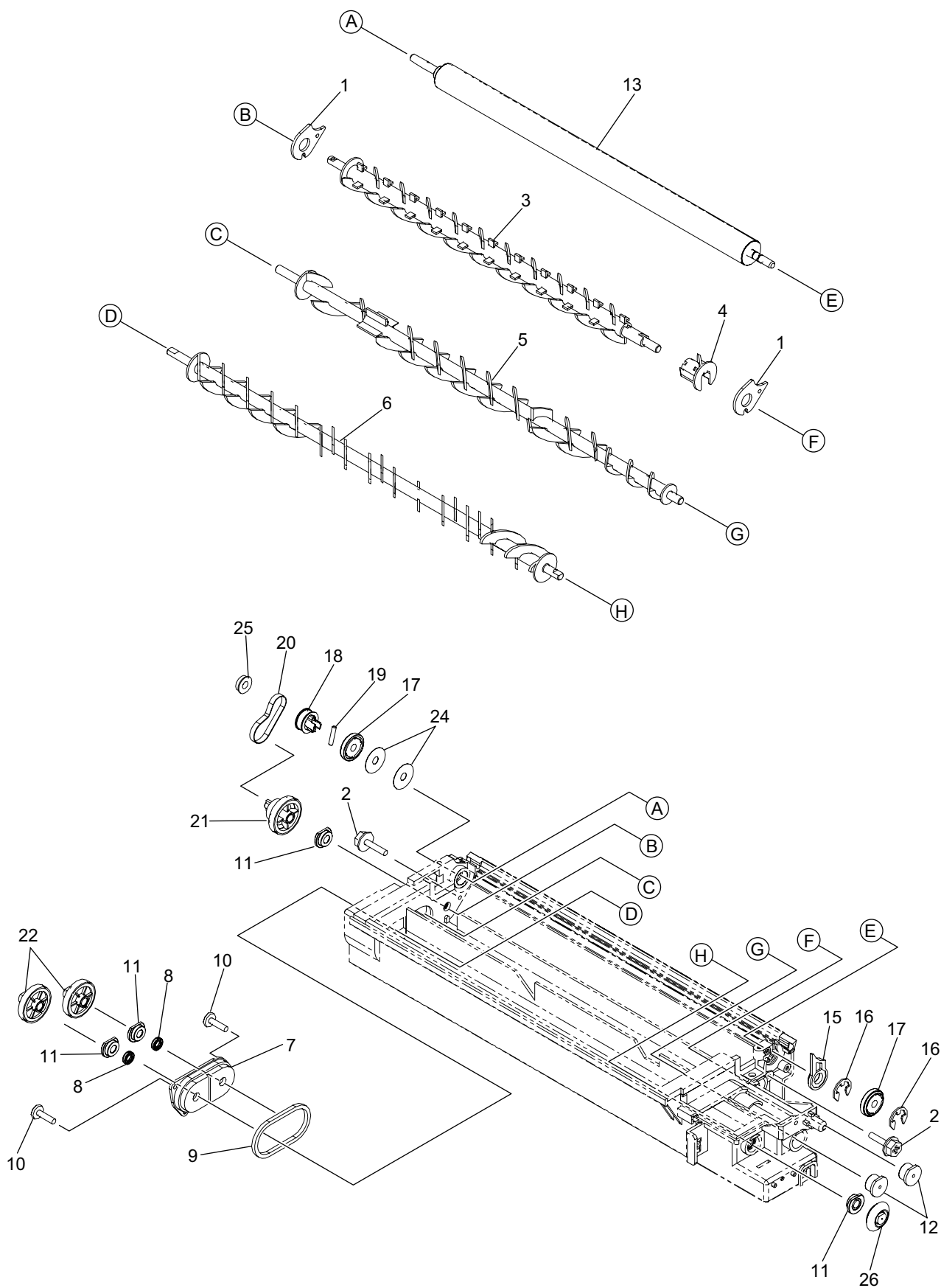
ITEM No.	PART No.	PART NAME	Q'TY / PAGE	Q'TY / PACK	REMARKS
1	6LK69617000	ASYB-CH-TR-H41X_N	1	1/C	
2	6LK69600000	GUIDE-TRU-H41X	1	1/PP	
4	6LH57329000	PLATE-TRU	1	1/P	
5	6LH58563000	CR-4530TR	1	1/S	
6	6LH57304000	BUSH-ROL-TRU	2	1/P	
7	6LH57330000	SPC-TERM-TRU	2	5/P	
8	6LH57334000	ROLL-GUIDE-TRU	2	1/P	
9	6LH57311000	GEAR-ROL-TRU	1	1/P	
10	6LH57316000	SPL-NEEDLE	1	1/P	
11	6LJ80224000	CH-SEP-H24X	1	1/KP	
12	6LK69609000	SHEET-CH-SEP-30-H41X	1	1/KP	
13	6LA80090000	S/TPP/BID-3X8-NI	3	5/P	
14	6LK69601000	PLT-BIAS-H41X	1	1/D	



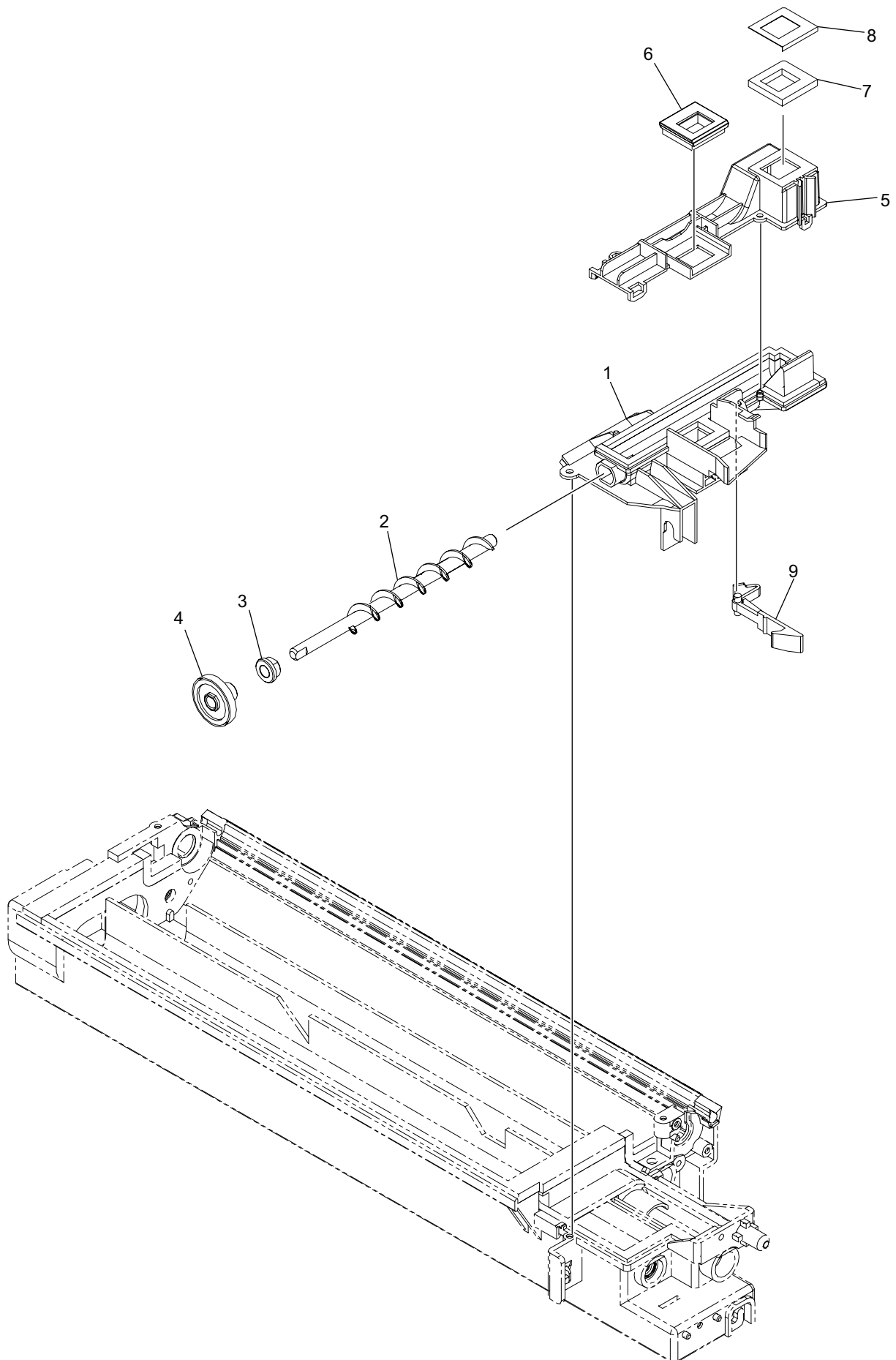
ITEM No.	PART No.	PART NAME	Q'TY / PAGE	Q'TY / PACK	REMARKS
1	6LH51919100	ASYS-FRAME-CLN-C-410	1	1/C	
2	6LA79547000	SEAL-BLADE-SIDE	2	1/P	
3	6LA79531000	SEAL-CLN-C	1	1/KP	
4	6LA79546000	SEAL-CLN-F	1	1/P	
5	6LA79586000	SEAL-CLN-R	1	5/P	
6	6LA79534000	SEAL-SIDE-REC	2	1/P	
7	6LH51918000	ASYS-AUGER-CLN-470	1	1/C	
8	6LA27845000	BL-2320D	1	1/S	
9	6LA80090000	S/TPP/BID-3X8-NI	6	5/P	
10	6LE54020000	BLADE-REC	1	1/C	
11	6LJ75525000	SPA-SCRPR-DRUM-H24X	3	1/P	
12	6LA79618000	SCRAPER-371	3	3/P	
13	41306325000	WHEEL-CLN-8	3	1/P	
14	6LK67100000	HOLDER-SCRAPER-H41X	3	1/P	
15	X0-02230000	S/FHEXM-M3X6-NI	3	10/P	
16	6LA02920000	BUSH-0410-05F-M	2	5/P	
17	6LA79554000	STUD-GEAR-CLN	1	1/P	
18	6LH51913000	FRAME-CLN-R	1	1/P	
19	X0-02247000	S/TPP/FHEXM-3X8-NI	2	10/P	
20	6LA79606000	GEAR-10S17-4	1	1/P	
21	6LA79605000	GEAR-10S18-4	1	1/P	
22	X0-00974000	RR/E-2.5-SS	3	10/P	
23	6LH51907000	ASYS-FRAME-CLN-F	1	1/C	
24	6LA79612000	SPC-NZL-CLN	1	1/P	
25	6LA79609000	SHUTTER-CLN	1	1/P	
28	41306135000	BUSH-1821-03-M	1	1/P	
29	6LH51906000	PIN-DRUM-470	1	1/P	
30	6LH23220100	HLDR-LED_S	1	1/PP	
31	6LH29503000	MYLAR-HLDR-LED	1	1/KP	
32 A	6LH27027000	PWA-F-DLE-280V	1	1/C	eS2018A/2518A/3018A
32 B	6LH62813000	PWA-F-DLE-473	1	1/C	eS3518A/4518A/5018A
33 A	6LH51901200	COV-PU-F-471_S	1	1/P	eS2018A/2518A/3018A
33 B	6LH51901300	COV-PU-F-473_S	1	1/P	eS3518A/4518A/5018A
34	6LE56120000	SCREW-PU-F	2	1/P	
35	X0-00965000	RR/E-4-SS	2	10/P	
36 A	6LK97824000	HRNS-DEVUNIT-K120	1	1/P	
36 B	6LH61384000	HRNS-EPU-471	1	1/P	For SVP
37 A	6LK97825000	HRNS-DLE2-K120	1	1/P	eS2018A/2518A/3018A
37 B	6LK97826000	HRNS-DLE2-K123	1	1/P	eS3518A/4518A/5018A
38	6LH51909000	COVER-CNCT-PU	1	1/P	
39	6LH51922000	SPL-EARTH-BLADE-REC	1	1/P	



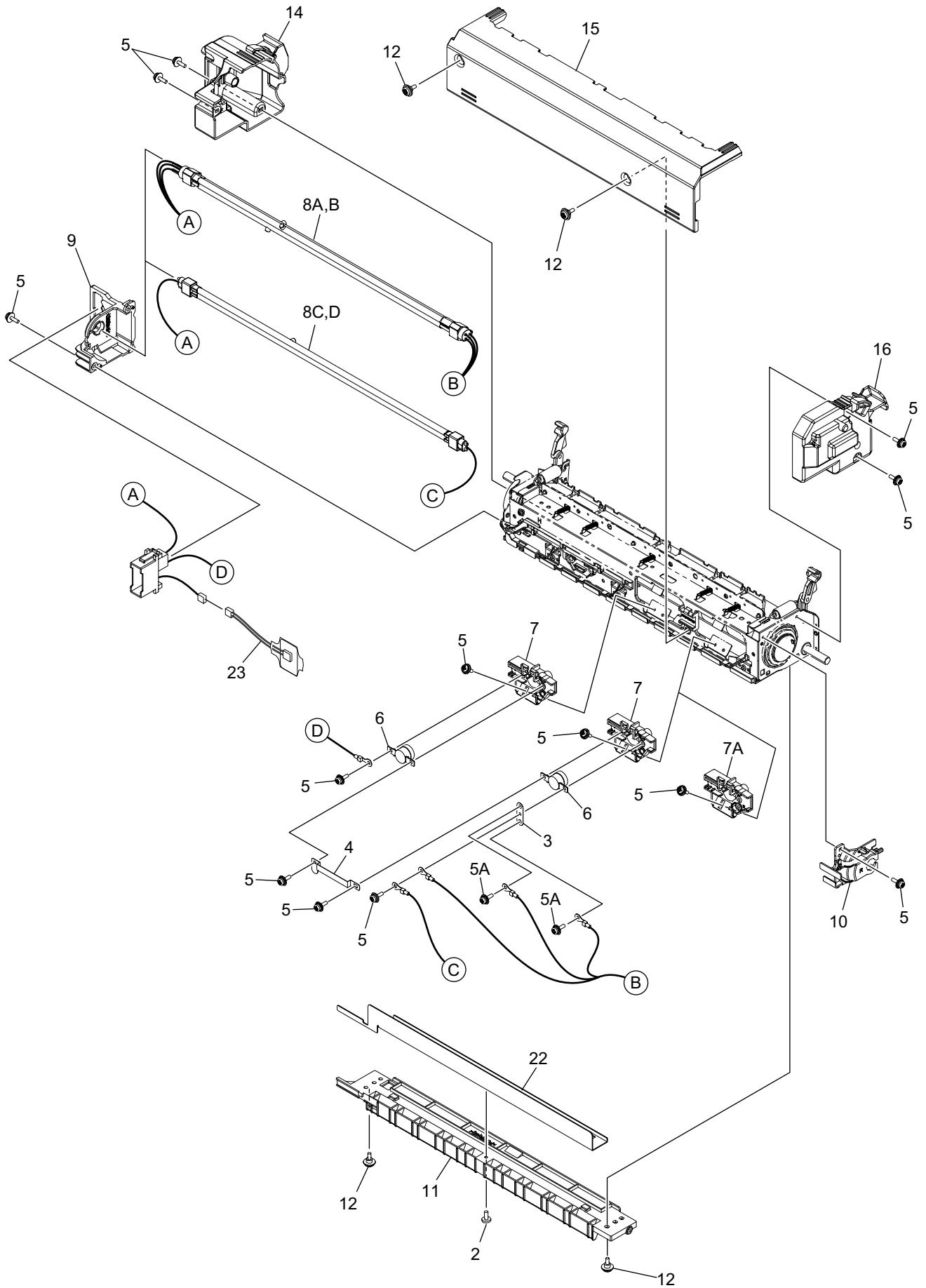
ITEM No.	PART No.	PART NAME	Q'TY / PAGE	Q'TY / PACK	REMARKS
1 A	6LH53425200	ASYS-CASING-DEV-K120	1	1/PP	eS2018A/2518A/3018A
1 B	6LH53425300	ASYS-CASING-DEV-K123	1	1/PP	eS3518A/4518A/5018A
2 B	6LH53445000	BLADE-RE-ROL	1	1/KP	eS3518A/4518A/5018A
3	6LA80090000	S/TPP/BID-3X8-NI	9	5/P	
4	6LH53441000	BUSH-RE-ROL-F	1	1/P	
5 A	6LK24700000	BUSH-RE-ROL-R	1	1/P	eS2018A/2518A/3018A
6 B	6LA81769000	CAM-RE-ROL	1	1/P	eS3518A/4518A/5018A
7 B	6LH53424000	DRV-RE-ROL	1	1/P	eS3518A/4518A/5018A
8 A	X0-00963000	RR/E-2-SS	1	10/P	eS2018A/2518A/3018A
8 B	X0-00963000	RR/E-2-SS	2	10/P	eS3518A/4518A/5018A
9	6LH53470000	COLLER-DEV-TENS-470	1	1/P	
10	6LH53454000	GEAR-10S23-6	1	1/P	
11	6LH53408000	ASYS-DOCTOR-470	1	1/KP	
12 A	6LH53463000	ASYS-BKT-DEV-R-471	1	1/P	eS2018A/2518A/3018A
12 B	6LH53464100	ASYS-BKT-DEV-R-415	1	1/P	eS3518A/4518A/5018A
13	6LH53411000	BRKT-DEV-F-470	1	1/P	
14	6LH53455000	ADJUSTER-MG-470	1	1/P	
15	X0-00077000	S/PAN/SWWP-M3X8-NI	1	10/P	
16 B	6LH53421000	PLATE-RE-ROL	1	1/P	eS3518A/4518A/5018A
17	6LH53468000	SPL-DOCTOR	2	1/P	
18	4400672520	SPC060-065-0130	2	1/P	
19	6LA81610000	SCREW-DOCTOR-371	2	10/P	
20	6LK97823000	SNSR-ATC-K120	1	1/C	
22	6LK30552000	THMS-DRM-330	1	1/PP	
23	X0-01725000	S/BID-M3X5-BSNI	1	10/P	
24 A	6LH53430000	ASYS-DRV-DEV-473	1	1/P	eS2018A/2518A/3018A
24 B	6LK67106000	ASYS-DRV-DEV-H41X	1	1/P	eS3518A/4518A/5018A
25	6LH53422000	ASYS-DRV-RECY-470	1	1/P	
26 B	6LH53419000	ROLLER-RE-5	1	1/P	eS3518A/4518A/5018A
27	6LA81888000	GEAR-8S15-6	1	1/P	
28	6LE55980000	GEAR-8S29_8S18-6	1	1/P	
29	6LA81881000	GEAR-10B22-6-CUP	1	1/P	
30	6LH53447000	SHEET-SIDE-DEV-F	1	1/P	
31	6LH53448000	SHEET-SIDE-DEV-R	1	1/P	
32	6LH53406000	ASYS-COV-DEV-470	1	1/C	
33	6LA81700000	COVER-DEV-BTL-371	1	1/P	
36	6LH53467000	MYLAR-DOC-SLIDE	2	5/P	
37 A	6LH53440100	WALL-JNT_S	1	1/P	eS2018A/2518A/3018A
38 B	6LK67112000	BUSH-HOLED-ROLLER-RE	1	1/P	eS3518A/4518A/5018A
39 B	X0-02420000	S/TPS/FHEXM/R-3X8-ZU3	2	10/P	eS3518A/4518A/5018A
40 A	6LK92500000	PLATE-HLDR-HRNS-DEV	1	1/P	
40 B	6LH60411100	ASYB-EPU-H410	1	1/SB	For SVP
41 B	6LH61340000	HRNS-ATS-471	1	1/P	For SVP



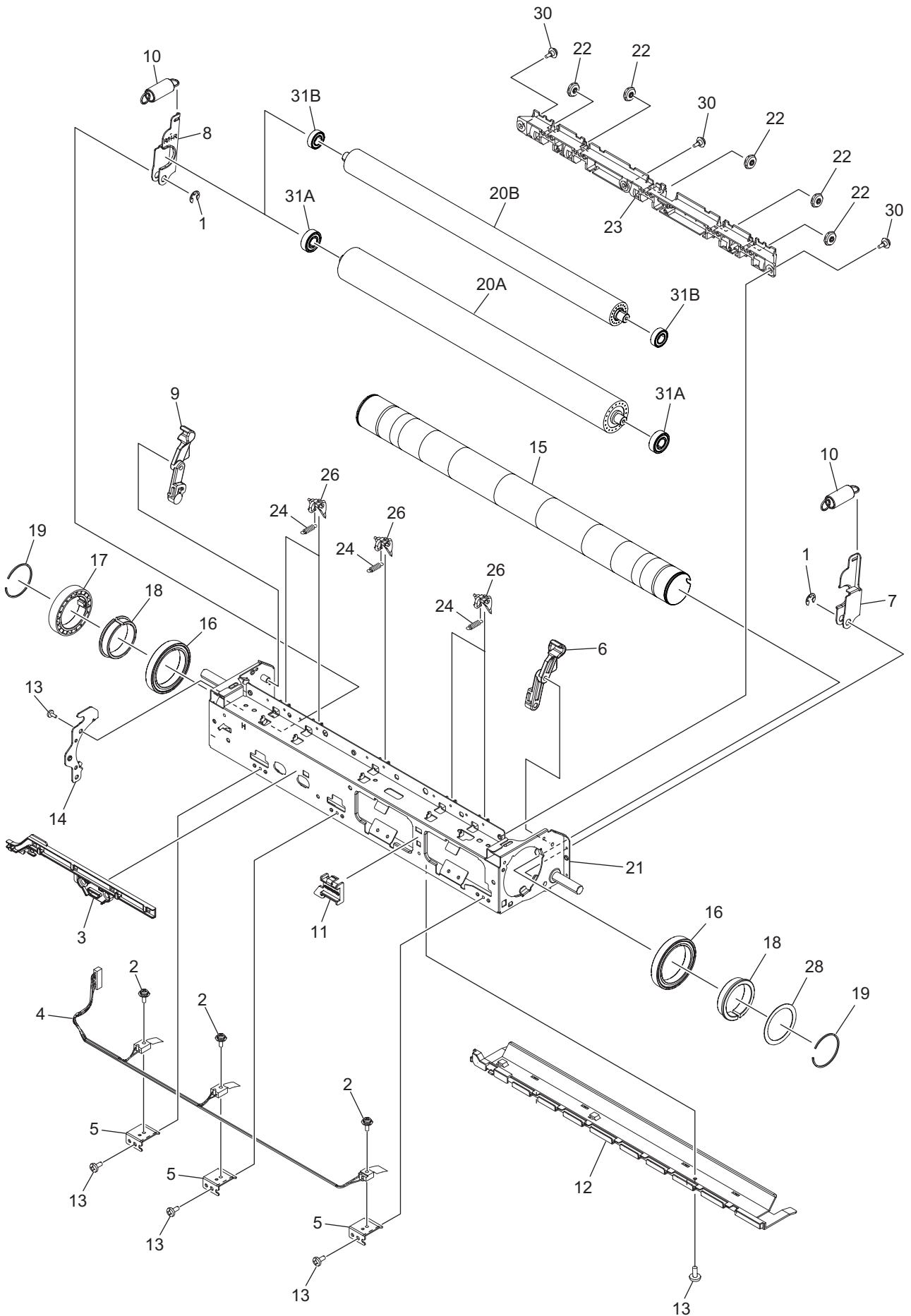
ITEM No.	PART No.	PART NAME	Q'TY / PAGE	Q'TY / PACK	REMARKS
1	6LA81632000	PLATE-SIDE	2	1/P	
2	X0-02232000	S/FHEXM-M3X10-NI	2	10/P	
3	6LA81635000	MIXER-1-371	1	1/C	
4	6LA81636100	SPACER-MIX_S	1	1/P	
5	6LH23230000	ASYS-MIXER-2-284	1	1/KP	
6	6LH23233000	MIXER-3-284	1	1/C	
7	6LE55966000	BUSH-DEV-R-280	1	1/P	
8	4401949290	SEAL-VC6-10-2.5	2	1/P	
9	6LE55967000	SEAL-BUSH-DEV-R	1	1/P	
10	6LA80090000	S/TPP/BID-3X8-NI	2	5/P	
11	6LH23441000	BUSH-6X12X4R8F-NU4	4	5/P	
12	6LA81645000	ASYS-BUSH-0613-07	2	1/P	
13	6LH53412000	ROLLER-MG-470	1	1/KP	
15	6LH53414000	BUSH-DEV-470	1	1/P	
16	X0-00965000	RR/E-4-SS	2	10/P	
17	6LJ12600000	ROLL-GUIDE-H16X	2	1/P	
18 A	6LH53434000	PULLY-2GT25-6	1	1/P	eS3518A/4518A/5018A
18 B	6LH53413000	PULLY-2GT22-6	1	1/P	eS2018A/2518A/3018A
19	X0-00980000	P/PRL/AH7-2X10-SS	1	10/P	
20 A	6LH53416000	BLT-T-2GT-100-40	1	1/P	eS3518A/4518A/5018A
20 B	6LH53427000	BLT-T-2GT-88-40	1	1/P	eS2018A/2518A/3018A
21 A	6LH53405000	GEAR-10S27_P2GT27-6	1	1/P	eS3518A/4518A/5018A
21 B	6LH53435000	GEAR-10S27_P2GT18-6	1	1/P	eS2018A/2518A/3018A
22	6LH53426000	GEAR-10S27-6	2	1/P	
24	6LH53471000	POLYSLIDER-DEV-R	2	5/P	
25	F0-01946000	F126ZZ-SH44M-GV22	1	1/P	
26	6LA81685000	GEAR-10B22-6	1	1/P	



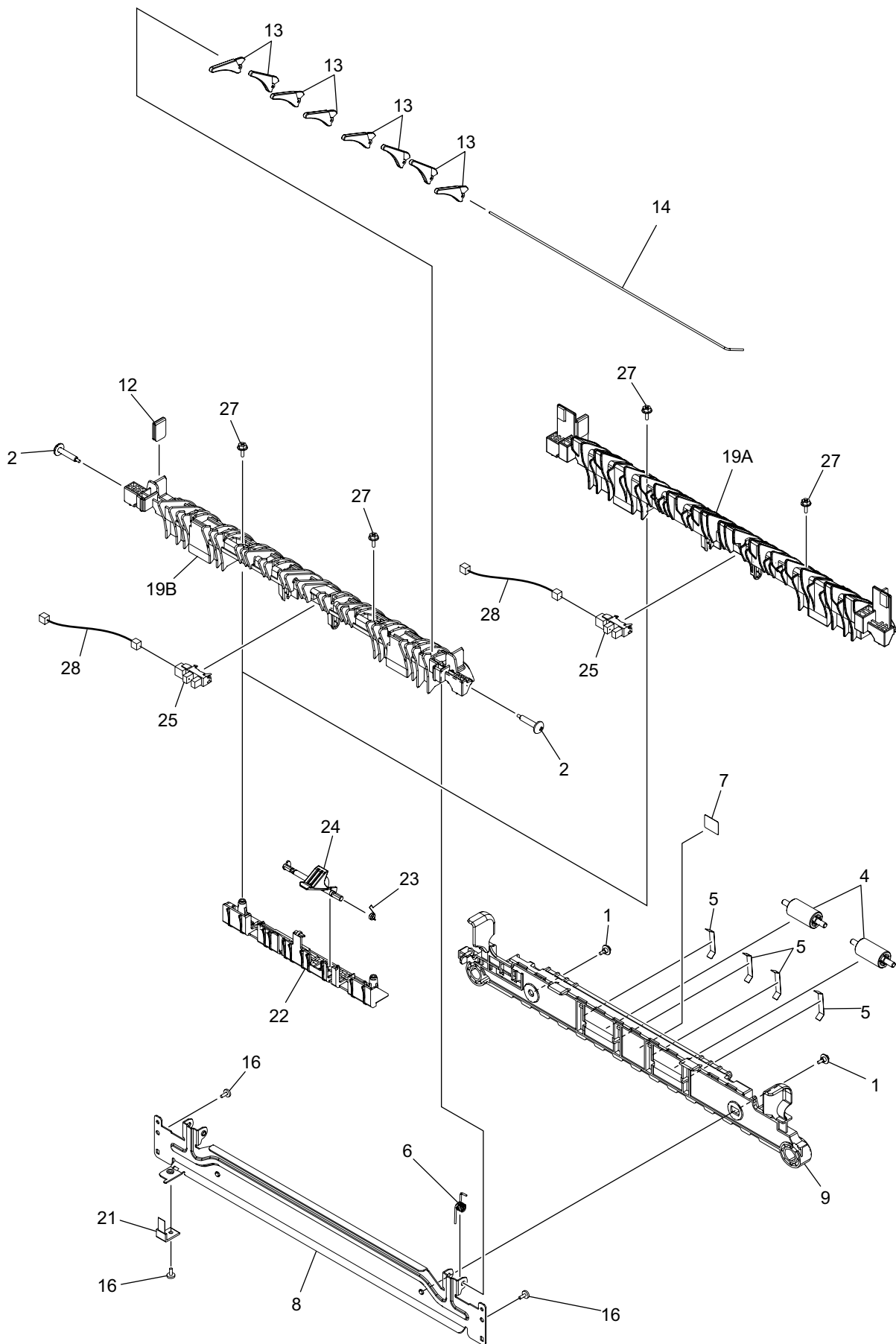
ITEM No.	PART No.	PART NAME	Q'TY / PAGE	Q'TY / PACK	REMARKS
1	6LH53404000	ASYS-COV-NOZLE-470	1	1/P	
2	6LH53417100	AUGER-RECY-470_S	1	1/P	
3	44201492000	BUSH-6-POM	1	5/P	
4	6LA81936000	GEAR-8S22-6	1	1/P	
5	6LH53458100	COVER-RECY-470_S	1	1/P	
6	6LH53420000	ASYS-TNR-IN-470	1	1/P	
7	6LA81953000	SEAL-RECY-CLN	1	1/P	
8	6LA81952000	MYLAR-RECY-CLN	1	1/P	
9	6LA81707000	STOPPER-LID-371	1	1/P	



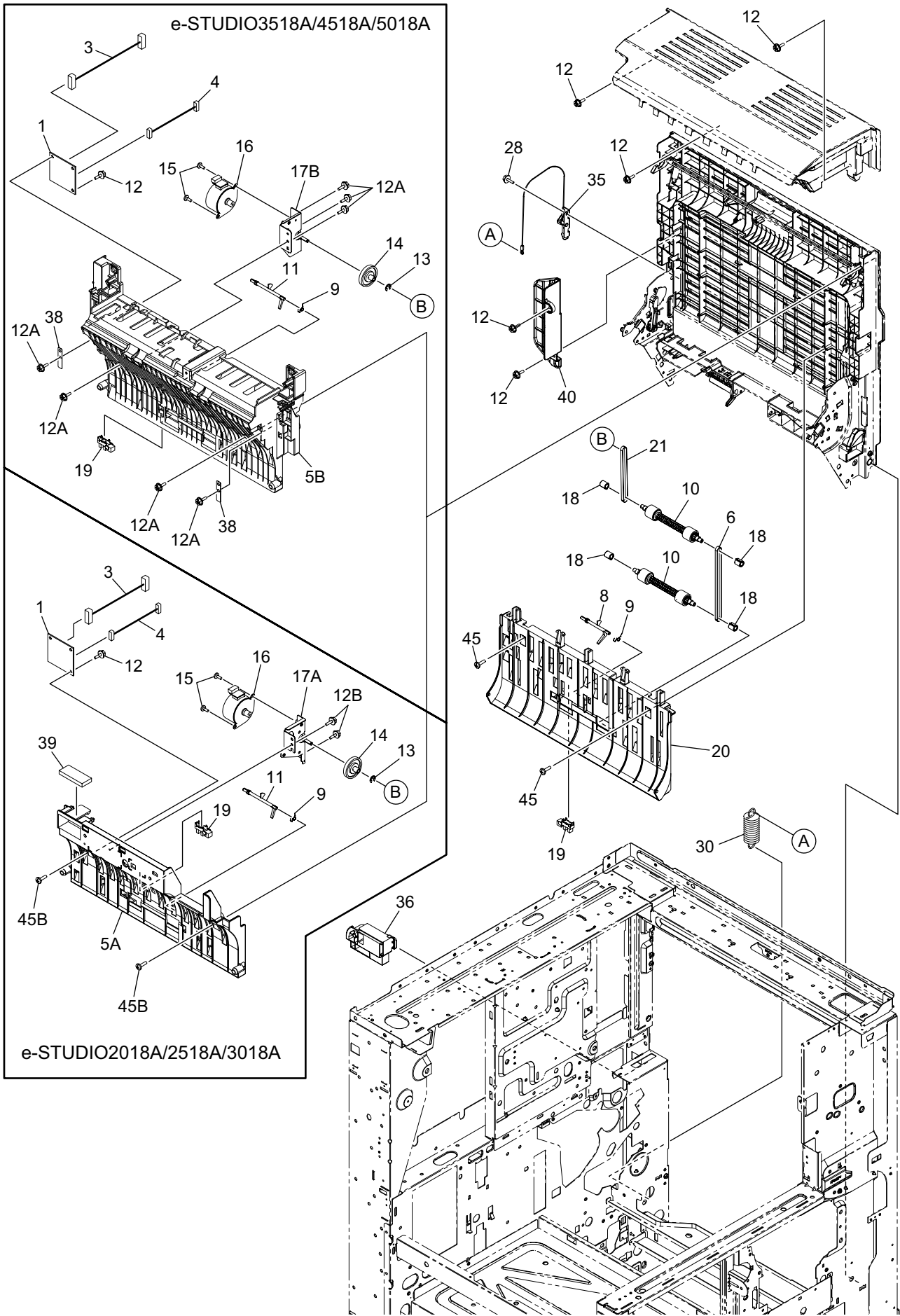
ITEM No.	PART No.	PART NAME	Q'TY / PAGE	Q'TY / PACK	REMARKS
2	X0-00430000	S/BID-M3X6-NI	1	10/P	
3 A	6LJ58084000	PLT-CNCT-LP	1	1/P	eS3518A/4518A/5018A
4	6LJ58014000	PLT-CNCT-THMST	1	1/P	
5 A	X0-00077000	S/PAN/SWWP-M3X8-NI	14	10/P	eS3518A/4518A/5018A
5 B	X0-00077000	S/PAN/SWWP-M3X8-NI	12	10/P	eS2018A/2518A/3018A
6	6LK72460000	THRMST-HTR-H410	2	1/D	
7 A	6LJ58078100	ASYS-HLDR-THMST-H415	1	1/P	eS3518A/4518A/5018A
7 B	6LJ58078200	ASYS-HLDR-THMST-H410	2	1/P	eS2018A/2518A/3018A
7 C	6LJ58078200	ASYS-HLDR-THMST-H410	1	1/P	eS3518A/4518A/5018A
8 A	6LK68036100	ASYB-LAMP-HR-H415-120	1	1/C	eS3518A/4518A/5018A NAD,TWD
8 B	6LK68036200	ASYB-LAMP-HR-H415-230	1	1/C	eS3518A/4518A/5018A ARD,ASD,AUD,MJD,CND,CNS
8 C	6LK68052100	ASYB-LAMP-HR-H410-U-120	1	1/C	eS2018A/2518A/3018A NAD,TWD
8 D	6LK68052200	ASYB-LAMP-HR-H410-U-230	1	1/C	eS2518A/3018A ARD,ASD,AUD,MJD,CND,CNS
9 A	6LK68010000	HLDR-LAMP-R-H410	1	1/P	eS2018A/2518A/3018A
9 B	6LK68010100	HLDR-LAMP-R-H415	1	1/P	eS3518A/4518A/5018A
10 A	6LK68029100	HLDR-LAMP-F-H410	1	1/P	eS2018A/2518A/3018A
10 B	6LK68029000	HLDR-LAMP-F-H415	1	1/P	eS3518A/4518A/5018A
11	6LK68023000	ASYS-GUIDE-ENT-PR-H41X	1	1/PP	
12	6LH36359000	SCREW-M3-D4X2.3	4	10/P	
14 A	6LK68014000	COVER-FUS-R-H410	1	1/P	eS2018A/2518A/3018A
14 B	6LK68014100	COVER-FUS-R-H415	1	1/P	eS3518A/4518A/5018A
15	6LK68022000	COVER-FUS-B-H41X	1	1/PP	
16	6LJ58170100	COVER-FUS-F2	1	1/PP	
22	6LK68008000	GUIDE-PLT-BIAS-PR-H41X	1	1/C	
23	6LH60494000	ASYB-SFUSE-H410	1	1/SB	For SVP



ITEM No.	PART No.	PART NAME	Q'TY / PAGE	Q'TY / PACK	REMARKS
1	X0-00966000	RR/E-5-SS	2	10/P	
2	X0-00077000	S/PAN/SWWP-M3X8-NI	3	10/P	
3	6LJ58045000	GUIDE-HRNS-AC	1	1/P	
4	6LK72411000	THMS-HTR-H413	1	1/KP	
5	6LK68005000	BRKT-THMS-H41X	3	1/P	
6	6LJ58063000	LVR-PR-H210-F2	1	1/P	
7 A	6LK68006000	ARM-PR-F-H410	1	1/P	eS2018A/2518A/3018A
7 B	6LK68046000	ARM-PR-F-H415	1	1/P	eS3518A/4518A/5018A
8 A	6LK68007000	ARM-PR-R-H410	1	1/P	eS2018A/2518A/3018A
8 B	6LK68047000	ARM-PR-R-H415	1	1/P	eS3518A/4518A/5018A
9	6LJ58042000	LVR-PR-H210-R	1	1/P	
10 A	6LK68048000	SPG-E-PR-H410-105N	2	1/P	eS2018A/2518A/3018A
10 B	6LK68049000	SPG-E-PR-H415-120N	2	1/P	eS3518A/4518A/5018A
11	6LJ58067000	GUIDE-PLT-THMST	1	1/P	
12	6LK68011000	GUIDE-HRNS-THMS-H41X	1	1/PP	
13	X0-00430000	S/BID-M3X6-NI	5	10/P	
14	6LK68004000	BRKT-FUSER-POS-R-H41X	1	1/P	
15	6LK72100000	HR-5008A-U	1	1/S	
16	6LK68071000	6807ZZC4-GPL226	2	1/P	
17	6LJ58001000	GEAR-HR-H210	1	1/P	
18	6LJ58020000	BUSH-HR-H210	2	1/P	
19	6LH24640000	CRR-HT_RLR	2	1/P	
20 A	6LK72102000	HR-3008A-L	1	1/S	eS2018A/2518A/3018A
20 B	6LK72101000	HR-5008A-L	1	1/S	eS3518A/4518A/5018A
21 A	6LK68000000	ASYS-FRAME-HR-H410	1	1/C	eS2018A/2518A/3018A
21 B	6LK68000100	ASYS-FRAME-HR-H415	1	1/C	eS3518A/4518A/5018A
22	6LK52393000	ROLL-FUS-GUIDE-D125-S	5	1/P	
23	6LK68009000	GUIDE-SCRAPER-H41X	1	1/PP	
24	6LK68054000	SPE-SCR-HR-H41X	5	1/P	
26	6LE58405000	SCRAPER-282	5	5/P	
28	6LJ58112000	WASHER-HR	1	1/P	
30	6LH36359000	SCREW-M3-D4X2.3	3	10/P	
31 A	6LK68028000	L-1680KKRPOP58LY500	2	1/P	eS2018A/2518A/3018A
31 B	6LJ58117000	R-1980KKRPOP58LY13	2	1/P	eS3518A/4518A/5018A



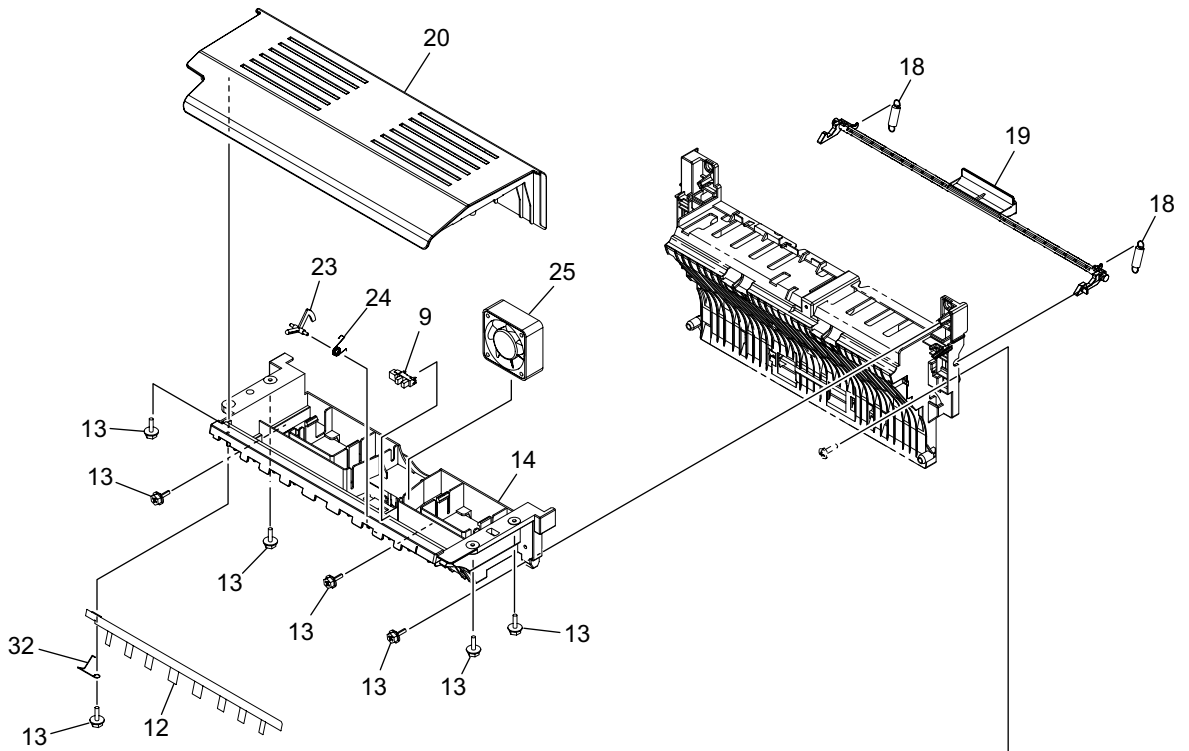
ITEM No.	PART No.	PART NAME	Q'TY / PAGE	Q'TY / PACK	REMARKS
1	6LH36359000	SCREW-M3-D4X2.3	2	10/P	
2	4406326040	SCREW-D4-18-M3	2	10/P	
4	41316101000	ROLL-TRANS-IDLE	2	1/P	
5	6LH55245000	PLT-SP-IDLE-47X	4	1/D	
6 A	6LK68053000	SPG-T-GUIDE-EXIT-RTN-F2	1	1/P	eS3518A/4518A/5018A
7	41307995000	LBL/W-FUSER	1	5/KP	
8	6LJ58076100	STAY-PR-H41X	1	1/D	
9	6LJ58181000	GUIDE-PR-ADU-H210	1	1/PP	
12	6LJ58087000	SHEET-FUS-HANDLE-H210	1	1/P	
13	6LJ58052000	GATE-RTN-H210	8	1/P	
14	6LJ58002000	PIN-HINGE-GATE-FUS-H210	1	1/P	
16	X0-00430000	S/BID-M3X6-NI	3	10/P	
19 A	6LK68069100	ASYS-GUIDE-EXIT-RTN-K123	1	1/PP	eS3518A/4518A/5018A
19 B	6LK68015000	GUIDE-EXIT-RTN-H410	1	1/PP	eS2018A/2518A/3018A
21	6LJ02533000	BRUSH-FUSER-H14X	1	1/C	
22	6LJ58049100	COVER-SNSR-H370	1	1/PP	
23	6LJ58081000	SPG-T-ACT-FUS-H210	1	1/P	
24	6LJ58005100	ACTR-EXIT-FUS-H370	1	1/P	
25	C0-17839000	LG2A14BL1	1	1/C	
27	X0-02247000	S/TPP/FHEXM-3X8-NI	2	10/P	
28	6LK72440000	HRNS-EXIT-SW-H410	1	1/P	



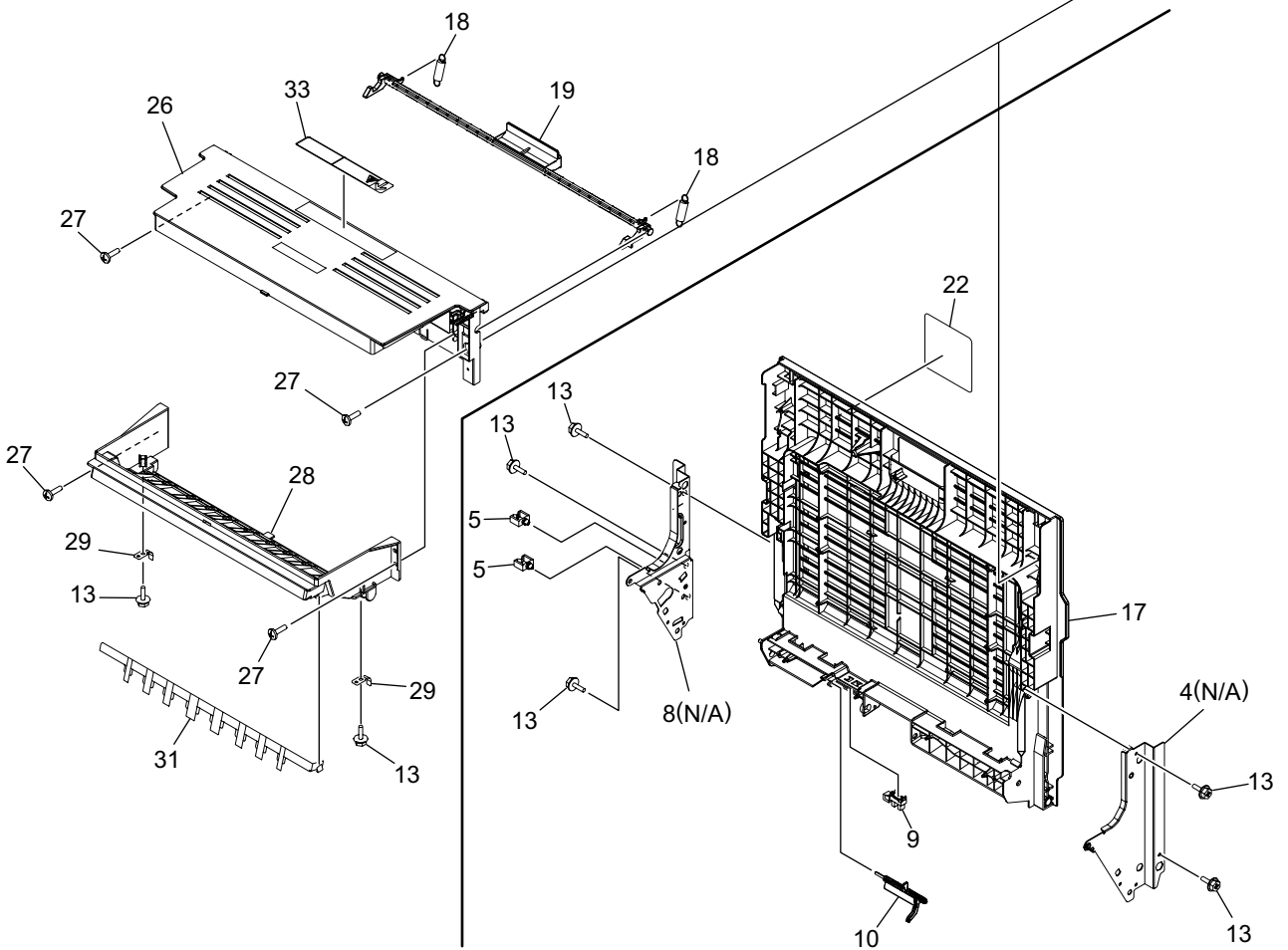
e-STUDIO2018A/2518A/3018A

ITEM No.	PART No.	PART NAME	Q'TY / PAGE	Q'TY / PACK	REMARKS
1	6LK83329000	PWA-K-ADU-110	1	1/SB	
3 A	6LK72428000	HRNS-ADU-UNIT-H410	1	1/P	eS2018A/2518A/3018A
3 B	6LK72429000	HRNS-ADU-UNIT-H413	1	1/P	eS3518A/4518A/5018A
4	6LK45417000	HRNS-ADU-MOT-H373	1	1/P	
5 A	6LJ57317000	GUIDE-ADU-U-H21X	1	1/PP	eS2018A/2518A/3018A
5 B	6LJ57394100	GUIDE-ADU-U-H415	1	1/PP	eS3518A/4518A/5018A
6	6LJ57400000	BLT.SY-S2M-264-4	1	1/P	
8	6LJ57322000	ACTR-ADU-L-H21X	1	1/P	
9	6LJ57327000	SPG-ACT-ADU-H21X	2	1/P	
10	6LJ57331100	ASYS-ROL-ADU-H21Y	2	1/KP	
11	6LJ57323000	ACTR-ADU-U-H21X	1	1/P	
12 A	X0-02247000	S/TPP/FHEXM-3X8-NI	13	10/P	eS3518A/4518A/5018A
12 B	X0-02247000	S/TPP/FHEXM-3X8-NI	8	10/P	eS2018A/2518A/3018A
13	X0-00964000	RR/E-3-SS	1	10/P	
14	6LJ57321000	GEAR-08S40_S2M012-7	1	1/P	
15	X0-02069000	S/TPS/BID-3X6-ZU3	2	10/P	
16	6LJ57330000	ASYS-MOTR-S-ADU-H21X	1	1/D	
17 A	6LJ57324000	ASYS-BKT-MOT	1	1/P	eS2018A/2518A/3018A
17 B	6LJ57377000	ASYS-BRKT-DRV-ADU-H21Y	1	1/P	eS3518A/4518A/5018A
18	6LJ57387100	BUSH-ADU-POMSW	4	1/P	
19	C0-17839000	LG2A14BL1	2	1/C	
20	6LJ57316100	GUIDE-ADU-L-H21X_S	1	1/PP	
21	6LJ57399000	BLT.SY-S2M-200-4	1	1/P	
28	X0-02420000	S/TPS/FHEXM/R-3X8-ZU3	1	10/P	
30	6LJ57406000	SPG-ADU-WIRE	1	1/P	
35	6LJ57382000	ASYB-BRKT-HOLD-WIRE-H21Y	1	1/P	
36	6LJ57371000	HOLDER-WIRE-ADU-H21Y	1	1/P	
38 B	6LJ57379000	SPG-F-GUIDE-EXIT-H21Y	2	1/P	eS3518A/4518A/5018A
39 A	6LJ57368000	DAMP-ADU-INNER	1	1/P	eS2018A/2518A/3018A
40	6LK66801000	COVER-ADU-R-H41X	1	1/P	
45 A	6LA80090000	S/TPP/BID-3X8-NI	2	5/P	
45 B	6LA80090000	S/TPP/BID-3X8-NI	4	5/P	

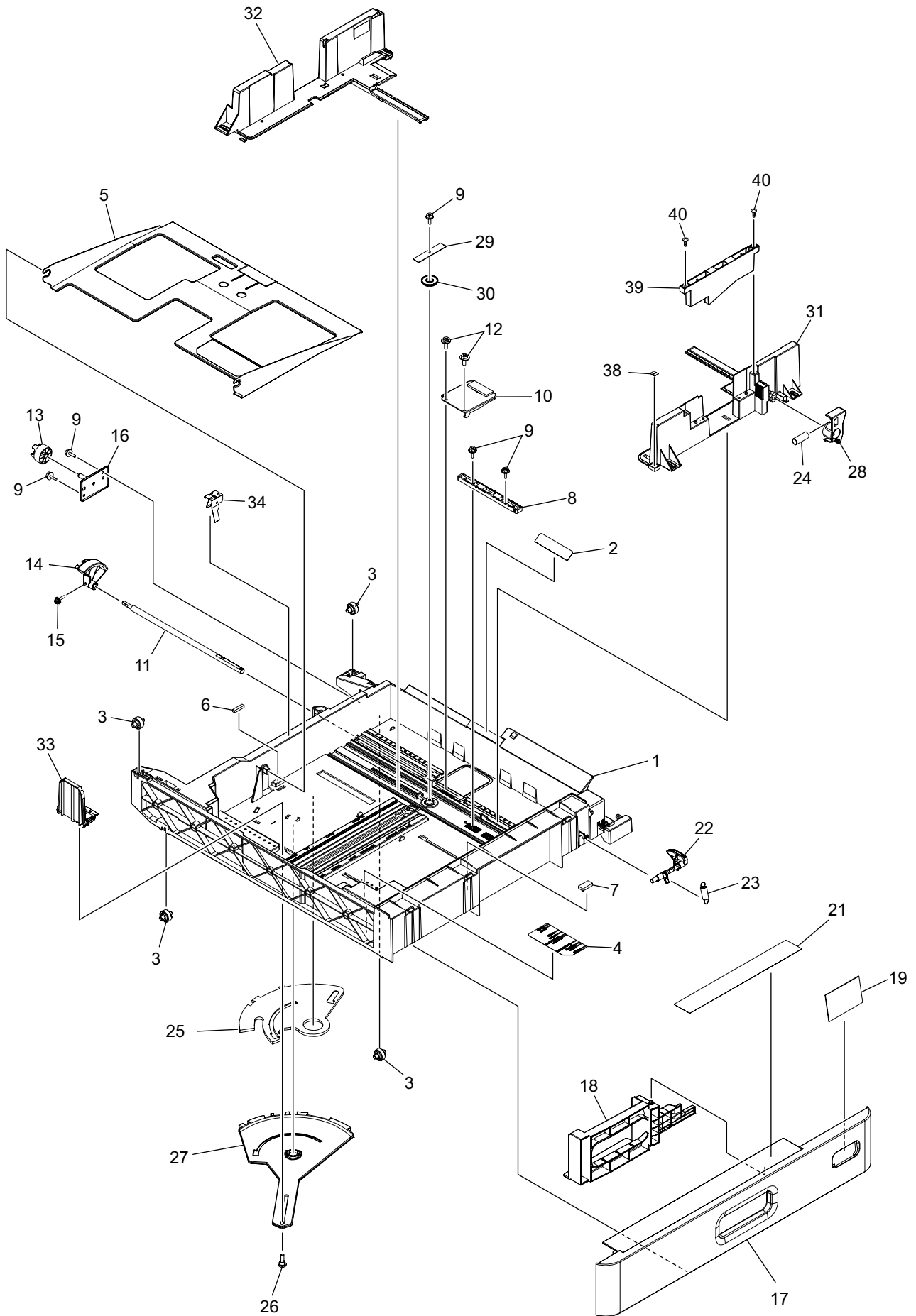
e-STUDIO3518A/4518A/5018A



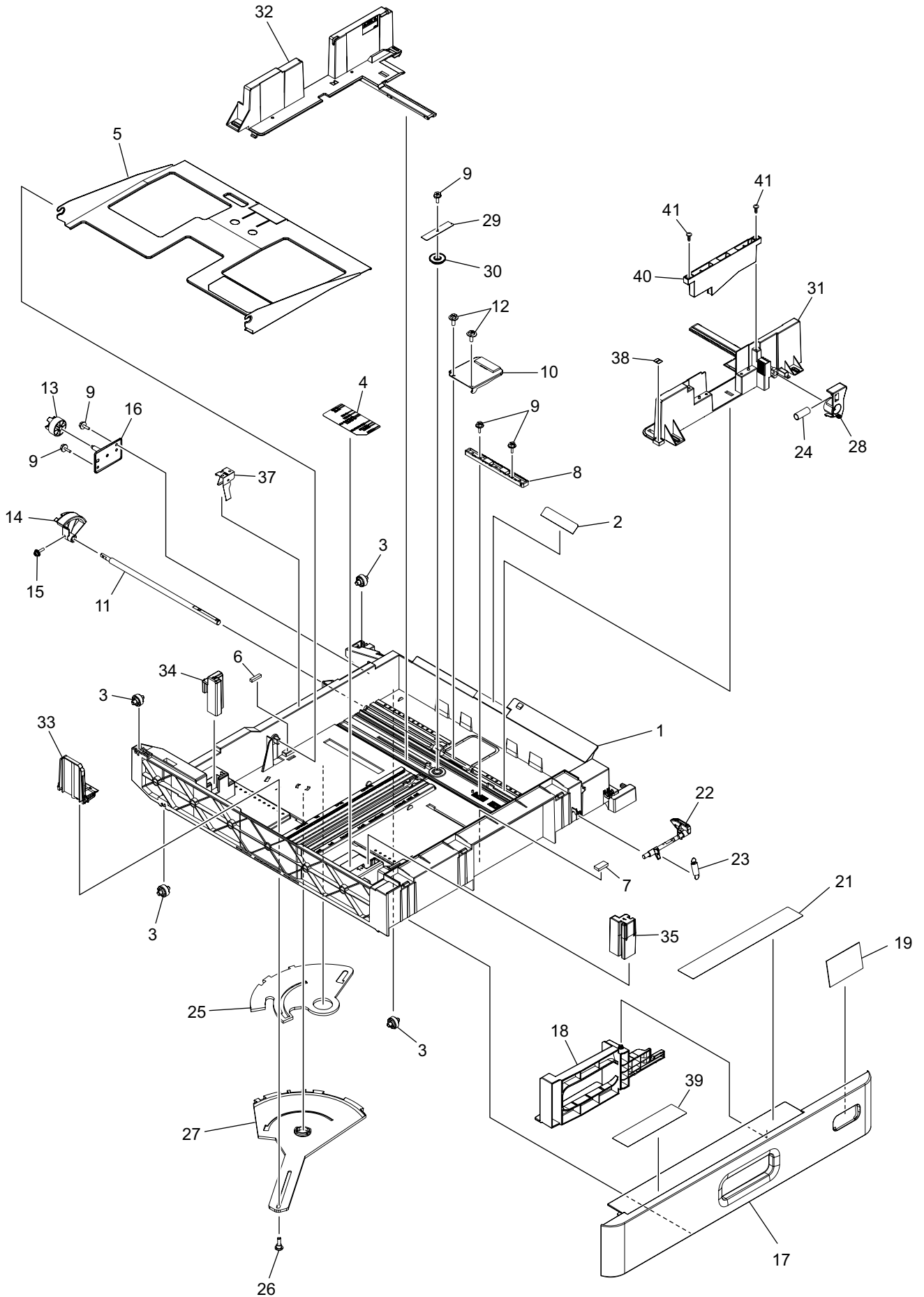
e-STUDIO2018A/2518A/3018A



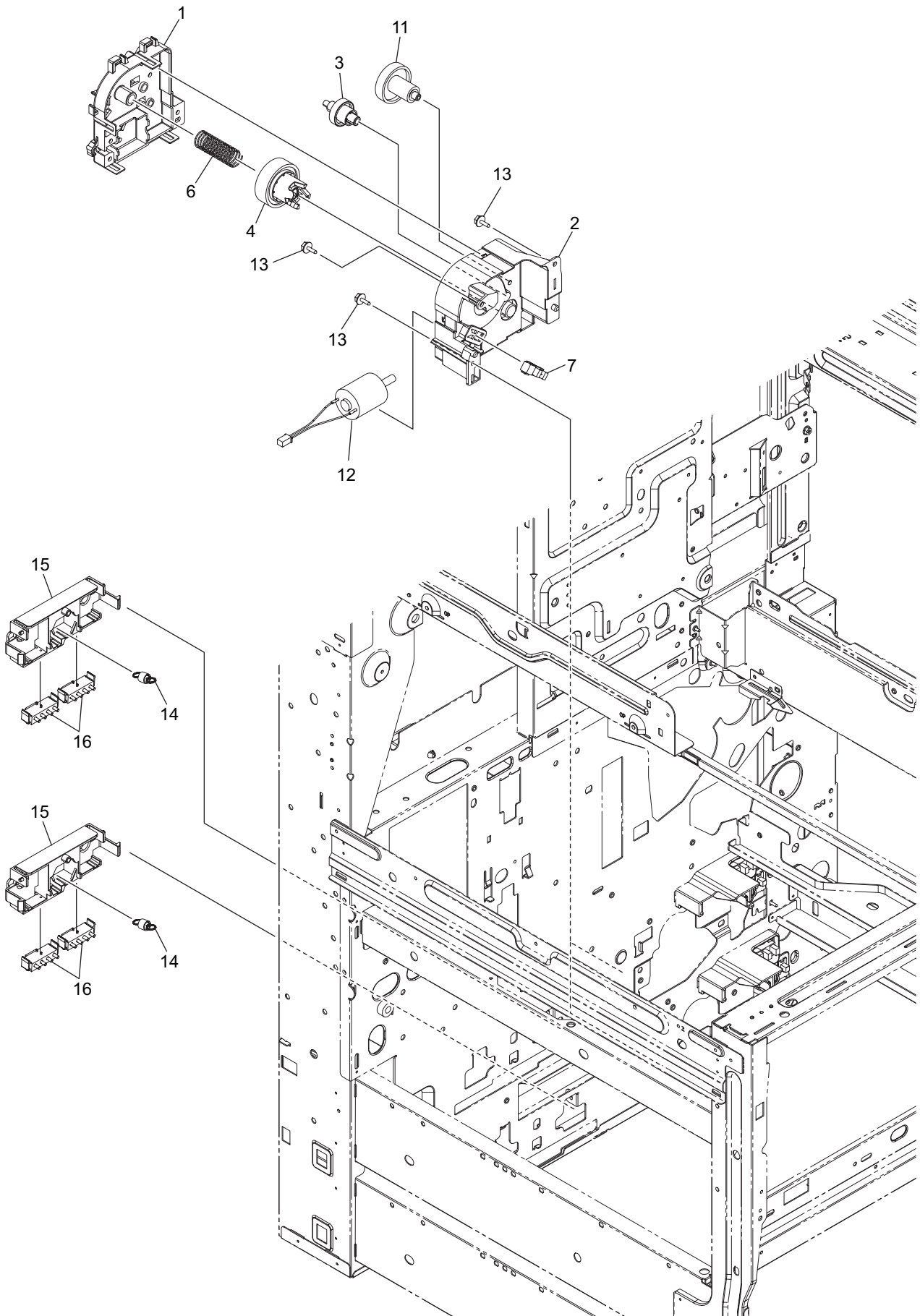
ITEM No.	PART No.	PART NAME	Q'TY / PAGE	Q'TY / PACK	REMARKS
4	6LK66802000	FRAME-ADU-F-H41X	1	N/A***	
5	F0-01250000	MSB-1207	2	5/P	
8	6LK66803000	FRAME-ADU-R-H41X	1	N/A***	
9 A	C0-17839000	LG2A14BL1	1	1/C	eS2018A/2518A/3018A
9 B	C0-17839000	LG2A14BL1	2	1/C	eS3518A/4518A/5018A
10	6LJ57135100	ACTR-EMPTY-SFB-H373	1	1/P	
12 A	6LK50729000	BRUSH-EXIT-UPR-H373	1	1/KP	eS3518A/4518A/5018A
13 A	X0-02247000	S/TPP/FHEXM-3X8-NI	13	10/P	eS2018A/2518A/3018A
13 B	X0-02247000	S/TPP/FHEXM-3X8-NI	7	10/P	eS3518A/4518A/5018A
14 A	6LJ57392100	GUIDE-ADU-UPR-H373	1	1/PP	eS3518A/4518A/5018A
17	6LJ57381100	COVER-ADU-H21X-LB	1	1/PP	
18	6LH51228000	SPG-C-COV-SIDE	2	1/P	
19	6LJ57393100	LEVER-ADU-H370	1	1/PP	
20 A	6LJ57376100	COVER-ADU-TOP-H373	1	1/PP	eS3518A/4518A/5018A
22 A	6LK51611000	LBL-O-PLACE-COV-H370	1	1/P	eS2018A/2518A/3018A NAD,ARD,ASD,AUD,MJD,TWD
22 B	6LK51612000	LBL-O-PLACE-COV-H370-C	1	1/P	eS2018A/2518A/3018A CND,CNS
23 A	6LH54010000	ACTR-EXIT-UPR-473	1	1/P	eS3518A/4518A/5018A
24 A	6LJ12930000	SPG-T-ACT-EXIT-UPR-16X	1	1/P	eS3518A/4518A/5018A
25 A	6LK48229000	ASYS-FAN-6025-65-H373	1	1/D	eS3518A/4518A/5018A
26 B	6LJ57302200	COVER-ADU-TOP_R	1	1/PP	eS2018A/2518A/3018A
27 B	6LA80090000	S/TPP/BID-3X8-NI	4	5/P	eS2018A/2518A/3018A
28 B	6LK66800000	GUIDE-EXIT-ADU-H410	1	1/PP	eS2018A/2518A/3018A
29 B	6LJ58068000	SPL-GUIDE-EXIT-LOW-H210	2	1/P	eS2018A/2518A/3018A
31 A	6LJ57825000	ASYS-BRUSH-EXIT-H21X	1	1/KP	eS2018A/2518A/3018A
32 A	6LK50730000	SPG-GND-EX-UPR-H373	1	1/P	eS3518A/4518A/5018A
33 A	6LK52029000	LBL-HOT-COV-UPR-K	1	1/KP	eS2018A/2518A/3018A NAD,ARD,ASD,AUD,MJD
33 B	6LK52031000	LBL-HOT-COV-UPR-K-CND	1	1/KP	eS2518A/3018A CND,CNS
33 C	6LK52030000	LBL-HOT-COV-UPR-K-TWD	1	1/KP	eS3018A TWD



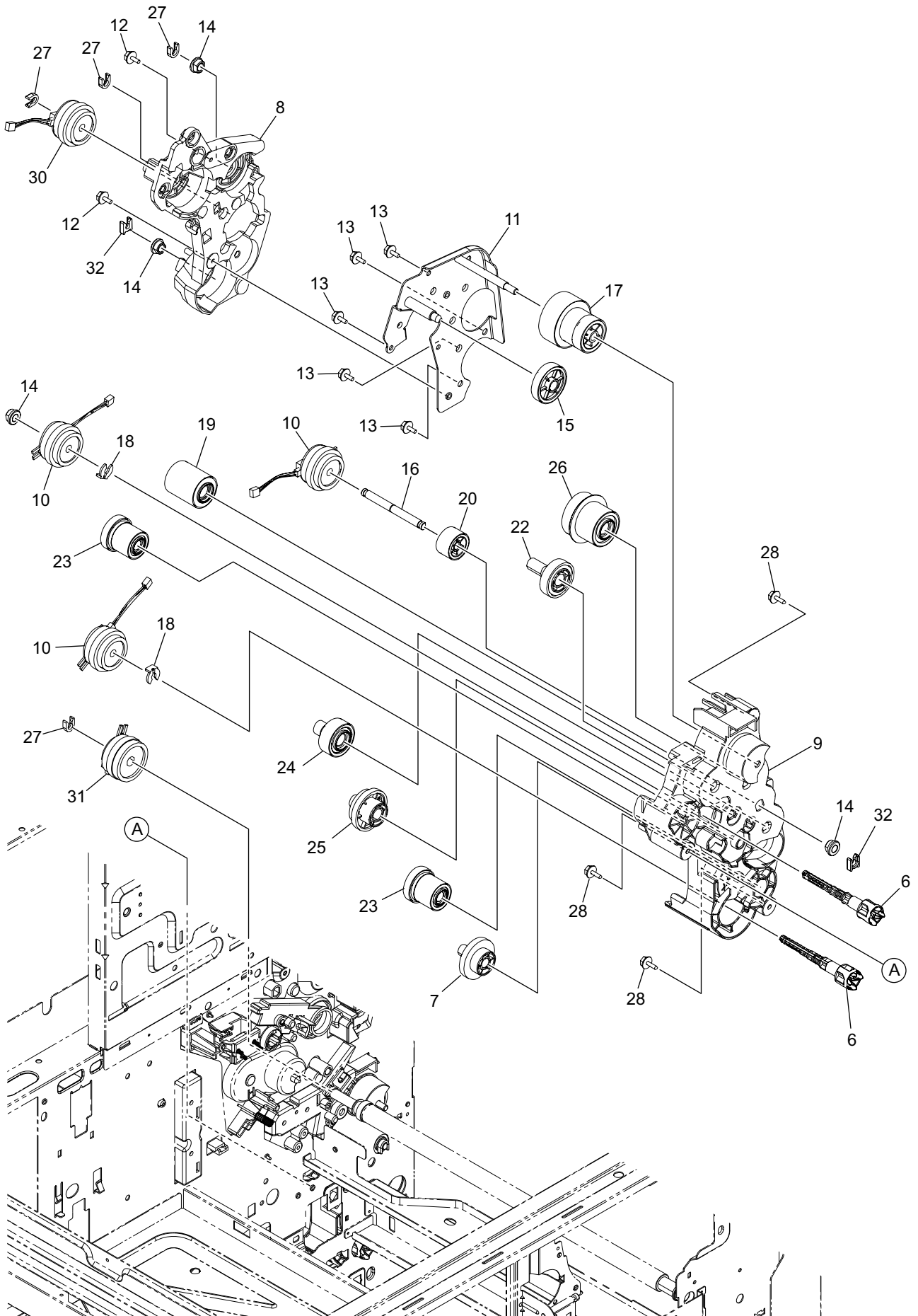
ITEM No.	PART No.	PART NAME	Q'TY / PAGE	Q'TY / PACK	REMARKS
1	6LK51265000	CST-H21X-U-A3	1	1/PP	
2	6LJ66823000	SHEET-CST-H21X	1	1/P	
3	6LJ56845000	ROLL-CST-H21X	4	1/P	
4	6LK51281000	LBL_P-SIZE-LDA3-H373	1	1/P	
5	6LK51242100	ASYS-TRAY-CST-H-K11X	1	1/KP	
6	6LH51643000	CHSH-CST-F47X	1	1/P	
7	6LH05741000	CUSH-CST-S	1	1/P	
8	6LJ56815100	WALL-STOP-H21X_S	1	1/P	
9	X0-02247000	S/TPP/FHEXM-3X8-NI	5	10/P	
10	6LH05746000	ASYS-LEVER-ELV-CST-F43X	1	1/P	
11	6LJ56910000	SHAFT-ELV-CST-H21X	1	1/P	
12	X0-02235000	S/FHEXM-M4X8-NI	2	10/P	
13	6LJ56847100	CPG-TRAY-UP-H37X	1	1/P	
14	6LJ56832100	GEAR-DRV-TRAYUP-SFT-H37X	1	1/P	
15	X0-00094000	S/PAN/SWWP-M3X10-NI	1	10/P	
16	6LJ56851000	ASYS-PLATE-DRV-CST-H21X	1	1/P	
17	6LK51218000	COVER-CST-H373	1	1/PP	
18	6LJ56838200	HNDL-CST-H370	1	1/PP	
19 A	6LK51245000	SIZE-CST-37X-A4	1	1/KP	ARD,ASD,AUD,MJD,TWD,CND,CNS
19 B	6LK51245100	SIZE-CST-37X-LT	1	1/KP	NAD
21	6LK51278000	LBL_O-GUIDE-CST-H373	1	1/KP	
22	6LJ56924000	LVR-CST1-H-H21X_E_SHAFT	1	1/P	
23	6LJ56839000	SPG-E-8R9XR9X29R5	1	1/P	
24	6LA56695000	SPC-LVR-WALL-F	1	1/P	
25	6LH05721100	PUSHER-SIDE-CST-F43X_S	1	1/P	
26	6LH05511000	SCREW-M3X8-3.2-P	1	5/P	
27	6LK51261000	PUSHER-END-CST-H21X	1	1/P	
28	6LJ56802100	LEVER-LOCK-WALL-H21X_S	1	1/P	
29	6LK51241000	PLT-WALL-GEAR-H370	1	1/P	
30	6LE53717000	GEAR-10S18-8-TRAY	1	1/P	
31	6LK51277000	SLIDE-WALL-F-H21X-H-70	1	1/KP	
32	6LJ56872000	ASYS-SLIDE-WALL-R-H21X-H	1	1/PP	
33	6LJ56827100	WALL-END-CST-H-H21X_S	1	1/P	
34	6LK51269000	SPG-F-TRAY-CST-H21Y	1	1/C	
38	6LJ56953000	LBL_P-SIZE-REF-H21X	1	1/P	
39	6LK51276000	SUPPT-SLIDE-WALL-F-H373	1	1/KP	
40	X0-01989000	S/TPP/BID-3X8-NI	2	10/P	



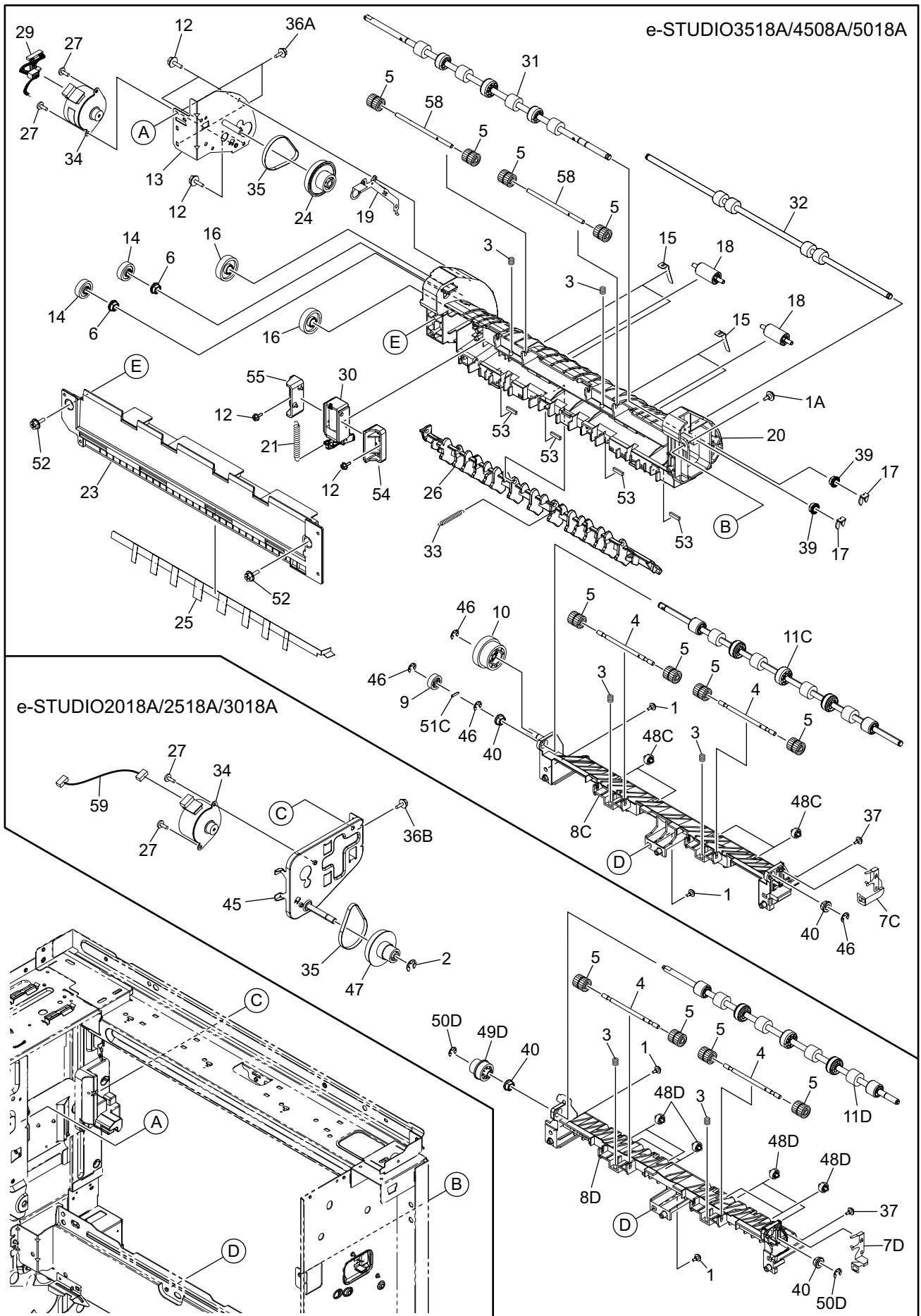
ITEM No.	PART No.	PART NAME	Q'TY / PAGE	Q'TY / PACK	REMARKS
1	6LK51266000	CST-H21X-SR	1	1/PP	
2	6LJ66823000	SHEET-CST-H21X	1	1/P	
3	6LJ56845000	ROLL-CST-H21X	4	1/P	
4	6LK51281000	LBL_P-SIZE-LDA3-H373	1	1/P	
5	6LK51242100	ASYS-TRAY-CST-H-K11X	1	1/KP	
6	6LH51643000	CHSH-CST-F47X	1	1/P	
7	6LH05741000	CUSH-CST-S	1	1/P	
8	6LJ56815100	WALL-STOP-H21X_S	1	1/P	
9	X0-02247000	S/TPP/FHEXM-3X8-NI	5	10/P	
10	6LH05746000	ASYS-LEVER-ELV-CST-F43X	1	1/P	
11	6LJ56910000	SHAFT-ELV-CST-H21X	1	1/P	
12	X0-02235000	S/FHEXM-M4X8-NI	2	10/P	
13	6LJ56847100	CPG-TRAY-UP-H37X	1	1/P	
14	6LJ56832100	GEAR-DRV-TRAYUP-SFT-H37X	1	1/P	
15	X0-00094000	S/PAN/SWWP-M3X10-NI	1	10/P	
16	6LJ56851000	ASYS-PLATE-DRV-CST-H21X	1	1/P	
17	6LK51218000	COVER-CST-H373	1	1/PP	
18	6LJ56838200	HNDL-CST-H370	1	1/PP	
19 A	6LK51245000	SIZE-CST-37X-A4	1	1/KP	ARD,ASD,AUD,MJD,TWD,CND,CNS
19 B	6LK51245100	SIZE-CST-37X-LT	1	1/KP	NAD
21	6LK51278000	LBL_O-GUIDE-CST-H373	1	1/KP	
22	6LJ56925000	LVR-CST2-H-H21X_E_SHAFT	1	1/P	
23	6LJ56839000	SPG-E-8R9XR9X29R5	1	1/P	
24	6LA56695000	SPC-LVR-WALL-F	1	1/P	
25	6LH05721100	PUSHER-SIDE-CST-F43X_S	1	1/P	
26	6LH05511000	SCREW-M3X8-3.2-P	1	5/P	
27	6LK51260000	PUSHER-END-CST-F43X	1	1/PP	
28	6LJ56802100	LEVER-LOCK-WALL-H21X_S	1	1/P	
29	6LK51241000	PLT-WALL-GEAR-H370	1	1/P	
30	6LE53717000	GEAR-10S18-8-TRAY	1	1/P	
31	6LK51277000	SLIDE-WALL-F-H21X-H-70	1	1/KP	
32	6LJ56872000	ASYS-SLIDE-WALL-R-H21X-H	1	1/PP	
33	6LJ56827100	WALL-END-CST-H-H21X_S	1	1/P	
34	6LJ56834100	WALL-LONGPAPER-R-H-H21X_S	1	1/P	
35	6LJ56833100	WALL-LONGPAPER-F-H-H21X_S	1	1/P	
37	6LK51269000	SPG-F-TRAY-CST-H21Y	1	1/C	
38	6LJ56953000	LBL_P-SIZE-REF-H21X	1	1/P	
39	6LK66102000	LBL_O-GUIDE-LDA3-H41X	1	1/KP	
40	6LK51276000	SUPPT-SLIDE-WALL-F-H373	1	1/KP	
41	X0-01989000	S/TPP/BID-3X8-NI	2	10/P	



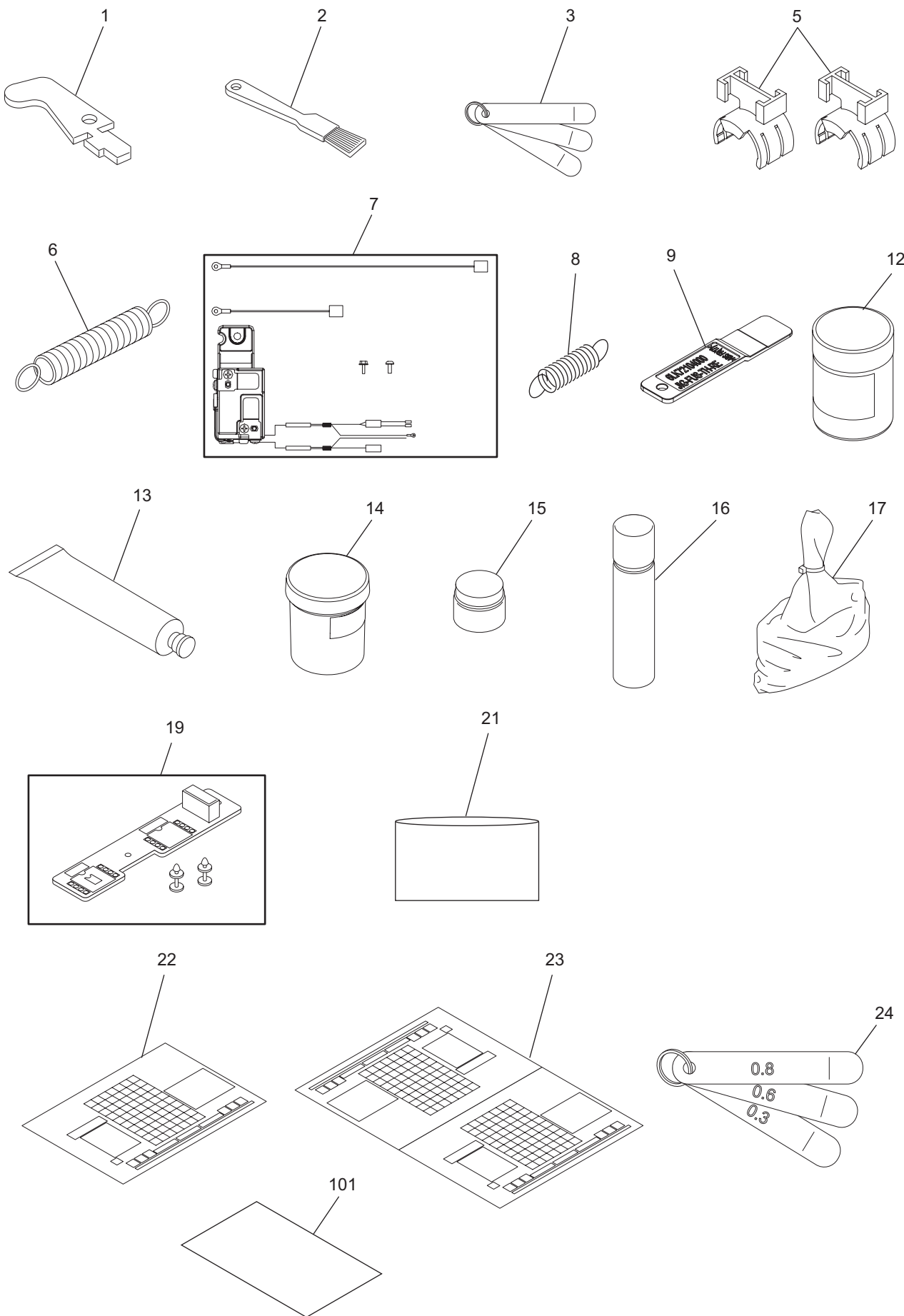
ITEM No.	PART No.	PART NAME	Q'TY / PAGE	Q'TY / PACK	REMARKS
1	6LK51201000	CASE-TRAYUP-GEAR-R-H373	1	1/C	
2	6LK51200000	CASE-TRAYUP-GEAR-F-H373	1	1/C	
3	6LK51202000	GEAR-5H45-5S18-5	1	1/P	
4	6LK51206000	GEAR-8S49-8	1	1/P	
6	6LK51231000	SPG-TRAYUP-CPG-H373	1	1/P	
7	C0-17839000	LG2A14BL1	1	1/C	
11	6LK51205000	GEAR-8S18-5S67-6	1	1/P	
12	6LK51273000	MOTR.D-TRAY-CST-ONC	1	1/D	
13	X0-02420000	S/TPS/FHEXM/R-3X8-ZU3	3	10/P	
14	6LJ56887000	SPG-E-8R8XR9X19R9	2	1/P	
15	6LJ56818100	HOLDER-SNSR-CST-H21X_S	2	1/P	
16	E0-14485000	PS-42C02-F NS	4	1/C	



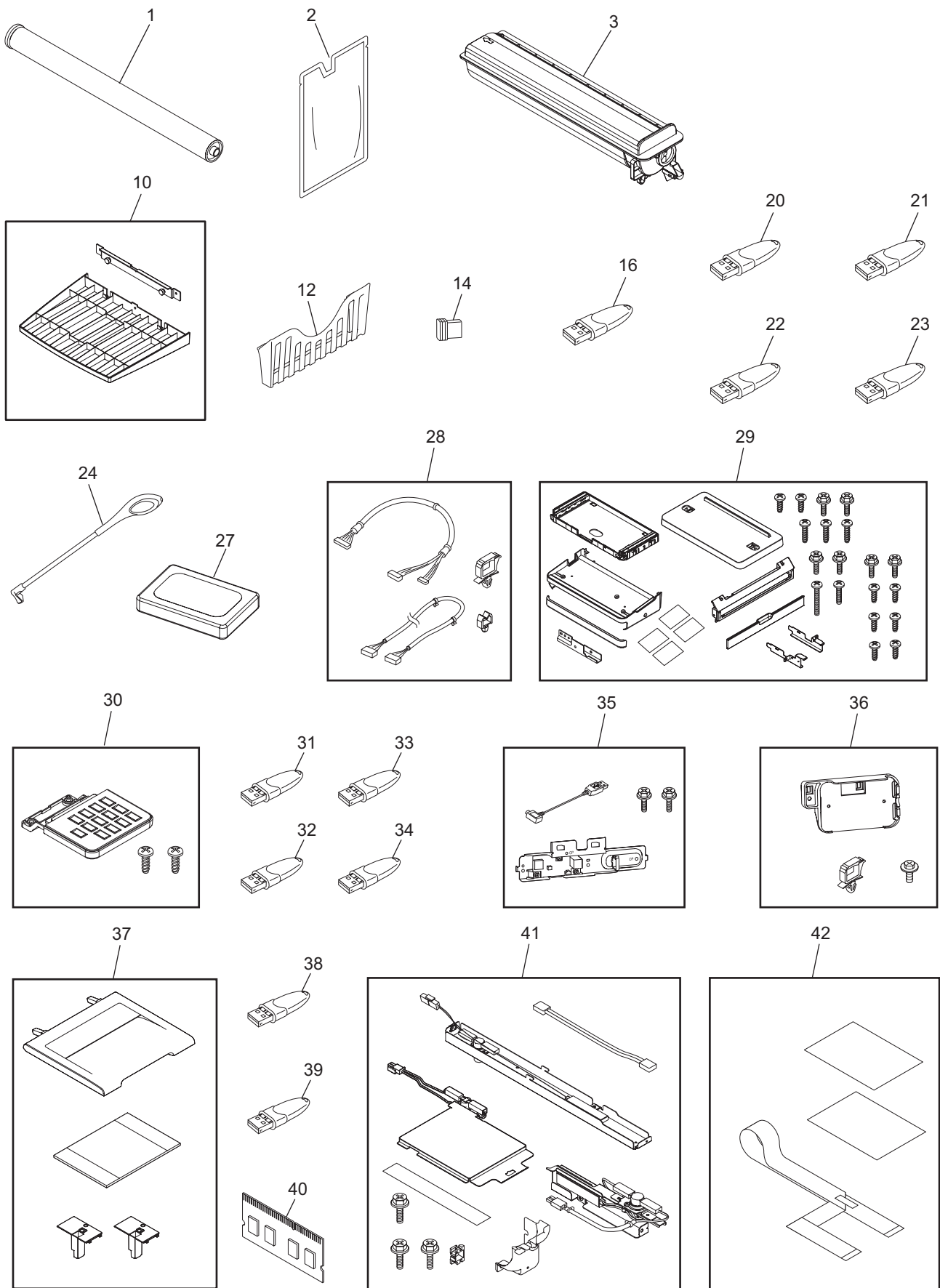
ITEM No.	PART No.	PART NAME	Q'TY / PAGE	Q'TY / PACK	REMARKS
6	6LJ56332000	COUPL-CST-H21Y	2	1/P	
7	6LK67222000	GEAR-8H39-H41X	1	1/P	
8	6LJ56333200	HLDR-CL-FED-H41X	1	1/P	
9	6LK67204000	CASE-DRV-FEED-H41X	1	1/PP	
10	6LH53742000	CLUTCH-50R-G28-6	3	1/D	
11	6LJ56318000	ASYS-FRM-DRV-FED-H21Y	1	1/C	
12	X0-02230000	S/FHEXM-M3X6-NI	2	10/P	
13	X0-02246000	S/TPP/FHEXM-3X6-NI	5	10/P	
14	44201492000	BUSH-6-POM	4	5/P	
15	6LJ56326000	GEAR-8H35-8	1	1/P	
16	6LK50761000	SHAFT-DRV-CL-FED-H373	1	1/P	
17	6LJ56322000	GEAR-10S26_8H45-6	1	1/P	
18	44201801000	STOP-RING-6-1.5	2	5/P	
19	6LJ56316000	GEAR-8H29	1	1/P	
20	6LJ56330000	GEAR-8S26-6	1	1/P	
22	6LK67221000	GEAR-8S37-H41X	1	1/P	
23	6LJ56325000	GEAR-10S26_8H25	2	1/P	
24	6LJ56327000	GEAR-8H31	1	1/P	
25 A	6LK67269000	GEAR-10S25_8H40	1	1/P	eS5018A
25 B	6LK67270000	GEAR-10S28_8H40	1	1/P	eS2018A/2518A/3018A/3518A/4518A
26	6LJ56323000	GEAR-10S33_8H33	1	1/P	
27	4407972860	STOP-RING-6-5	4	5/P	
28	X0-02420000	S/TPS/FHEXM/R-3X8-ZU3	3	10/P	
30 A	6LK67234000	CLUTCH-50TL-G32-6	1	1/D	eS5018A
30 B	6LK67233000	CLUTCH-50TL-G29-6	1	1/D	eS2018A/2518A/3018A/3518A/4518A
31	6LH56400000	CLUTCH-50TL-G33-8	1	1/D	
32	4408358930	STOP-RING-6-4	2	5/P	



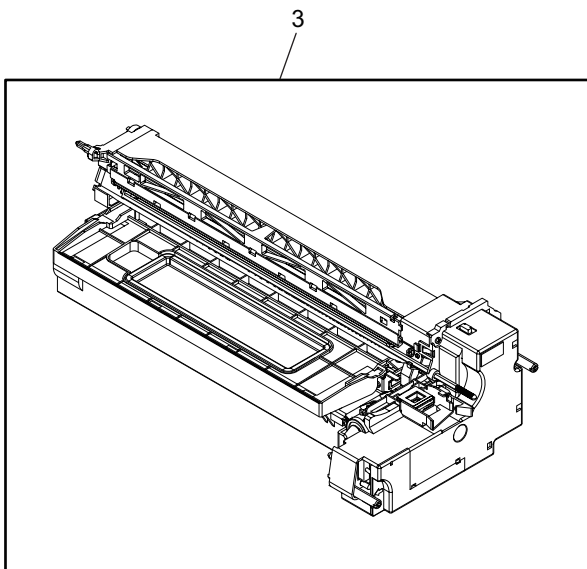
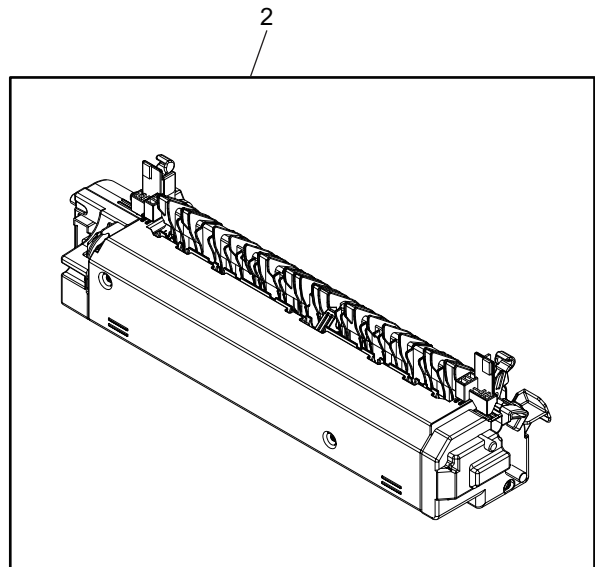
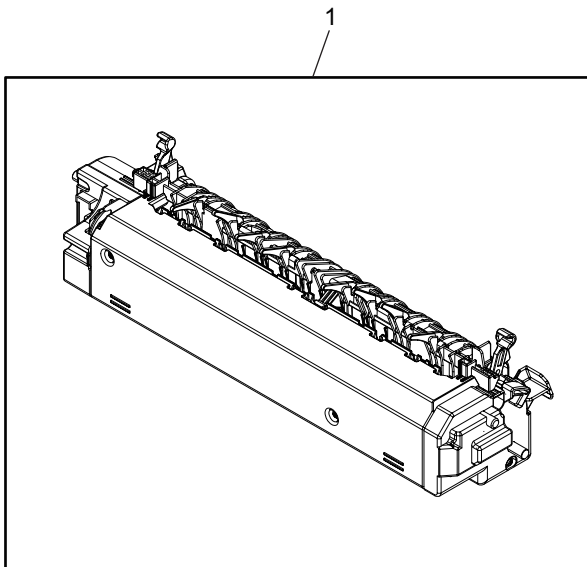
ITEM No.	PART No.	PART NAME	Q'TY / PAGE	Q'TY / PACK	REMARKS
1 A	6LA08937000	SCREW-BKT-DEV	3	10/P	eS3518A/4518A/5018A
1 B	6LA08937000	SCREW-BKT-DEV	2	10/P	eS2018A/2518A/3018A
2 B	X0-00965000	RR/E-4-SS	1	10/P	eS2018A/2518A/3018A
3 A	6LJ57614000	SPG-C-ROLL-EXIT-H21Y	4	1/P	eS3518A/4518A/5018A
3 B	6LJ57614000	SPG-C-ROLL-EXIT-H21Y	2	1/P	eS2018A/2518A/3018A
4	6LJ57801000	SHAFT-ROL-EXIT-L	2	1/P	
5 A	6LK52391000	RLR-EXIT-L-EX	8	1/P	eS3518A/4518A/5018A
5 B	6LK52391000	RLR-EXIT-L-EX	4	1/P	eS2018A/2518A/3018A
6 A	6LJ55543000	BUSH-6-BCF-050	2	1/P	eS3518A/4518A/5018A
7 C	6LK52351000	SPG-F-GND-EXIT-H373	1	1/C	eS3518A/4518A/5018A
7 D	6LK52037000	SPG-F-GND-EXIT-H370	1	1/C	eS2018A/2518A/3018A
8 C	6LK67402000	ASYS-GUIDE-EXIT-L-H415	1	1/PP	eS3518A/4518A/5018A
8 D	6LK67415000	ASYS-GUIDE-EXIT-L-H410	1	1/PP	eS3518A/4518A/5018A
9 C	6LJ69307000	GEAR-10S16-6	1	1/P	eS3518A/4518A/5018A
10 C	6LK67406000	GEAR-10S34-10S29	1	1/P	eS3518A/4518A/5018A
11 C	6LK67418000	ASYB-ROLL-EXIT-H415_N	1	1/KP	eS3518A/4518A/5018A
11 D	6LK67421000	ASYB-ROLL-EXIT-H370_N	1	1/KP	eS2018A/2518A/3018A
12 A	X0-02247000	S/TPP/FHEXM-3X8-NI	5	10/P	eS3518A/4518A/5018A
13 A	6LJ57601100	ASYS-BRKT-DRV-EXIT-U-K11X	1	1/P	eS3518A/4518A/5018A
14 A	6LH54006000	GEAR-10S20-06	2	1/P	eS3518A/4518A/5018A
15 A	6LJ57610000	SPG-F-ROL-REV-H21Y	4	1/P	eS3518A/4518A/5018A
16 A	6LH54009000	GEAR-10S27-08	2	1/P	eS3518A/4518A/5018A
17 A	44201801000	STOP-RING-6-1.5	2	5/P	eS3518A/4518A/5018A
18 A	41316101000	ROLL-TRANS-IDLE	2	1/P	eS2018A/2518A/3018A
19 A	6LJ57635100	SPG-F-GND-EXIT-UPR-H373	1	1/C	eS3518A/4518A/5018A
20 A	6LK51907200	GUIDE-EXIT-UPR-H373_S	1	1/PP	eS3518A/4518A/5018A
21 A	6LK51917000	SPG-E-ARM-GATE-85-H373	1	1/P	eS3518A/4518A/5018A
23 A	6LJ57616100	COV-EXIT-UPR-H373	1	1/PP	eS3518A/4518A/5018A
24 A	6LJ57609000	GEAR-10S20_PS2M60-6-H21Y	1	1/P	eS3518A/4518A/5018A
25 A	6LJ57617000	BRUSH-EXIT-L-H21Y	1	1/KP	eS3518A/4518A/5018A
26 A	6LK51626100	GATE-ADU-H373_S	1	1/PP	eS3518A/4518A/5018A
27	X0-02069000	S/TPS/BID-3X6-ZU3	2	10/P	
29 A	6LJ61030000	HRNS-EXTMOT-212	1	1/P	eS3518A/4518A/5018A
30 A	6LK51919000	ASYS-SOL-07B-H410_2	1	1/C	eS3518A/4518A/5018A
31 A	6LK51935000	ASYB-ROLL-EXIT-U-K110	1	1/KP	eS3518A/4518A/5018A
32 A	6LJ57633000	ROLL-TRANS-UPR-H21Y	1	1/KP	eS3518A/4518A/5018A
33 A	6LK51916000	SPG-E-GATE-EXIT-70-H373	1	1/P	eS3518A/4518A/5018A
34	6LJ57816000	MOTR_S-EXIT-L-H21X	1	1/D	
35	6LJ58949000	BLT_SY-S2M-144-4	1	1/P	
36 A	X0-02420000	S/TPS/FHEXM/R-3X8-ZU3	2	10/P	eS3518A/4518A/5018A
36 B	X0-02420000	S/TPS/FHEXM/R-3X8-ZU3	1	10/P	eS2018A/2518A/3018A
37	6LA36749000	ASYS-SCREW-LSU-NI	1	5/P	
39 A	44201492000	BUSH-6-POM	2	5/P	eS3518A/4518A/5018A
40	4407734980	BUSH-6-GCB	2	5/P	
45 B	6LJ57804000	ASYS-BRKT-MOTR-EXIT	1	1/P	eS2018A/2518A/3018A
46 C	X0-00966000	RR/E-5-SS	4	10/P	eS3518A/4518A/5018A
47 B	6LJ57807000	GEAR-10S16_PS2M60-6	1	1/P	eS2018A/2518A/3018A
48 C	6LK52392000	ROLL-FUS-GUIDE-D11-S	4	1/P	eS3518A/4518A/5018A
48 D	6LK52392000	ROLL-FUS-GUIDE-D11-S	8	1/P	eS2018A/2518A/3018A
49 D	6LJ57803000	GEAR-10S20-10S16-6	1	1/P	eS2018A/2518A/3018A
50 D	X0-00964000	RR/E-3-SS	2	10/P	eS2018A/2518A/3018A
51 C	X0-00980000	P/PRL/AH7-2X10-SS	1	10/P	eS3518A/4518A/5018A
52 A	X0-02683000	S/TPP/FHEXM-3X8-ZB3	2	5/P	eS3518A/4518A/5018A
53 A	6LK51918000	DAMP-GATE-H373	4	5/P	eS3518A/4518A/5018A
54 A	6LK51912000	PART-BRKT-F-2	1	1/P	eS3518A/4518A/5018A
55 A	6LK51913000	PART-BRKT-R-2	1	1/P	eS3518A/4518A/5018A
58	6LK51938000	SHAFT-ROL-EXIT-L-N	2	1/P	
59	6LK72419000	HRNS-LGC-EXTM-H410	1	1/P	



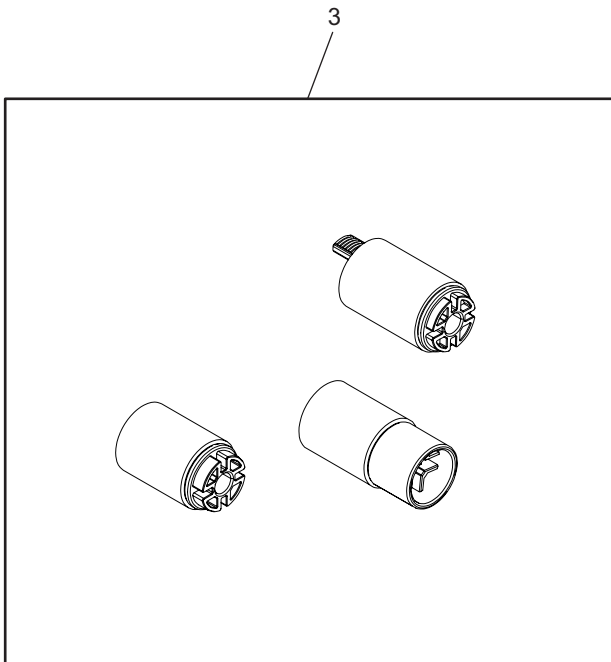
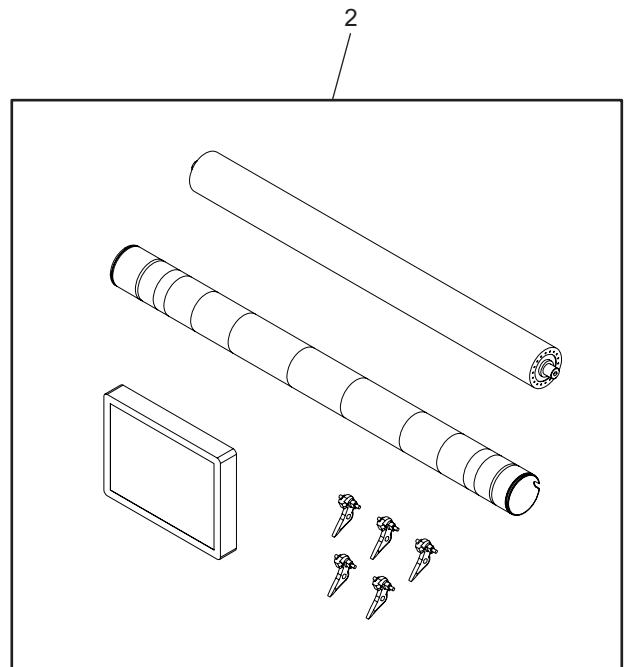
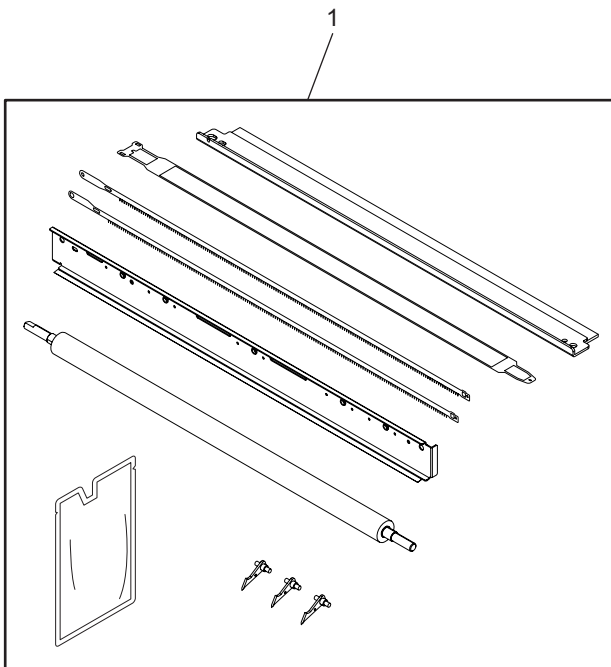
ITEM No.	PART No.	PART NAME	Q'TY / PAGE	Q'TY / PACK	REMARKS
1	4407915730	JIG-SW-F-COV	1	1/P	
2	4407915710	BRUSH-33	1	1/P	
3	4402048100	ASM-JIG-DOC-180	1	1/P	
5	6LJ59898000	HOLDER-WIRE-PLY-H21X	2	1/P	
6	44202661000	SPE-MOT-TNS	1	1/P	
7	6LH53488000	PU-TOOL-F47X	1	1/C	
8	6LE56610000	SPG-TENS-ROL-280	1	1/P	
9	6LK72104000	JIG-FUS-TH-RE	1	1/P	
12	6LA00019000	GREASE-HP300-S	1	1/P	
13	41303711000	ASM-PG-ALV2	1	1/P	
14	6LE36904000	MOLYKOTE_EM-30L_100G	1	1/P	
15	41303710000	ASM-PG-GE334C-S	1	1/P	
16	4408327820	K-BTL-SILICON-S	1	1/P	
17	6LJ18300000	P-POWDER-PPT001	1	1/P	
19	6LH60425000	ASYB-EPUADP-470	1	1/C	
21	4408600920	BAG-DRUM	1	5/P	
22	6LE50524000	CHART-COLOR-A4	1	1/KP	
23	6LH17283000	CHART-COLOR-A3	1	1/KP	
24	6LJ58791000	ASYB-JIG-GAP-SCRIP	1	1/P	eS3518A/4518A/5018A
101 A	4408687160	CHART-15-1-A4	1	10/KP	A4 series
101 B	4408687180	CHART-15-1-LT	1	10/KP	LT series



ITEM No.	PART No.	PART NAME	Q'TY / PAGE	Q'TY / PACK	REMARKS
1	6LH58311200	OD-4530	1	1/S	
2	6LK28272000	D-5070	1	1/S	
3 A	6AK0000408	PS-ZT5018U(1)	1	SUPPLY	NAD,ARD,GSA
3 B	6AJ0000171	PS-ZT5018E(1)	1	SUPPLY	MJD
3 C	6AG00008544	PS-ZT5018P(1)	1	SUPPLY	AUD,ASD
3 D	6AG00008492	PS-ZT5018C(1)	1	SUPPLY	CND,CNS
3 E	6AG00008552	PS-ZT5018CM(1)	1	SUPPLY	CND,CNS
3 F	6AG00008547	PS-ZT5018T(1)	1	SUPPLY	TWD
3 G	6AG00008648	PS-ZT5018C(8)	1	SUPPLY	CND,CNS
3 H	6AG00008650	PS-ZT5018CM(8)	1	SUPPLY	CND,CNS
10 A	6AR00000925	KK-5005	1	SUPPLY	Work Tray (All except CND,CNS)
10 B	6AR00000926	KK-5005C	1	SUPPLY	Work Tray (CND,CNS)
12 A	6AR00001025	KK-5008	1	SUPPLY	Manual Pocket (All except CND,CNS)
12 B	6AR00001026	KK-5008C	1	SUPPLY	Manual Pocket (CND,CNS)
14 A	6AG00007054	GN-4020	1	SUPPLY	Wireless LAN Module (All except ARD,CND,CNS,TWD)
14 B	6AG00007055	GN-4020C	1	SUPPLY	Wireless LAN Module (CND)
16	6A000001051	GP-1070	1	SUPPLY	Data Overwrite enabler (All except NAD,ARD,GSA)
20	6A000001055	GS-1010	1	SUPPLY	Meta scan enabler
21	6A000001057	GS-1020	1	SUPPLY	External interface enabler (CNS,TWD)
22	6A000001053	GP-1080	1	SUPPLY	IPSec enabler (All except CND,CNS)
23	6A000001309	GS-1007	1	SUPPLY	Unicode Font Enabler
24	6A000001733	KK-2560	1	SUPPLY	Accessible Arm
27	6AG00006088	GE-1230	1	SUPPLY	FIPS HDD option (All except GSA,CND,CNS)
28	6A000001699	GQ-1280	1	SUPPLY	Harness kit for coin controller
29 A	6AH00000946	GR-1330	1	SUPPLY	Accessory Tray (All except CND,CNS)
29 B	6AH00000947	GR-1330C	1	SUPPLY	Accessory Tray (CND,CNS)
30 A	6AG00008435	GR-1340	1	SUPPLY	Panel Ten Key Option (All except CND,CNS)
30 B	6AG00008436	GR-1340C	1	SUPPLY	Panel Ten Key Option (CND,CNS)
31	6A000001700	GS-1080	1	SUPPLY	Embedded OCR Enabler (for 1 license)
32	6A000001711	GS-1085	1	SUPPLY	Embedded OCR Enabler (for 5 licenses)
33	6A000001715	GS-1090	1	SUPPLY	Multi Station Print Enabler (for 1 license)
34	6A000001704	GS-1095	1	SUPPLY	Multi Station Print Enabler (for 5 licenses)
35 A	6AG00008441	GR-1310	1	SUPPLY	USB Hub Option (All except CND,CNS)
35 B	6AG00008442	GR-1310C	1	SUPPLY	USB Hub Option (CND,CNS)
36 A	6AG00008429	GR-1320	1	SUPPLY	Card Reader Holder (All except CND,CNS)
36 B	6AG00008430	GR-1320C	1	SUPPLY	Card Reader Holder (CND,CNS)
37 A	6AG00006726	KA-5005PC	1	SUPPLY	Platen Cover (All except CND,CNS)
37 B	6AG00006727	KA-5005PCC	1	SUPPLY	Platen Cover (CND,CNS)
38	6A000001764	GM-2290	1	SUPPLY	Printer Scanner Enabler (ASD)
39 A	6A000001757	GB-2050	1	SUPPLY	Monotype Font enabler (CND,CNS,TWD)
39 B	6B000000909	GB-2050L	1	SUPPLY	License version for Monotype font enabler (All except CND,CNS,TWD)
40	6A000001760	GC-1410	1	SUPPLY	4GB memory option (All except CND,CNS)
41	6AG00008642	MF-5018CE	1	SUPPLY	Damp heater (CND,CNS)
42	6A000001748	GR-1300TW	1	SUPPLY	EMI kit (TWD)



ITEM No.	PART No.	PART NAME	Q'TY / PAGE	Q'TY / PACK	REMARKS
1 A	6LK68056100	FUSER-3008A-120	1	1/S	eS2018A/2518A/3018A NAD
1 B	6LK68056200	FUSER-3008A-230	1	1/S	eS2018A/2518A/3018A ARD,ASD,AUD,MJD,CND,CNS
2 A	6LK68070100	FUSER-5008A-120	1	1/S	eS3518A/4518A/5018A NAD,TWD
2 B	6LK68070200	FUSER-5008A-230	1	1/S	eS3518A/4518A/5018A ARD,ASD,AUD,MJD,CND,CNS
3 A	6LK67102200	PU-3018A	1	1/S	eS2018A/2518A/3018A
3 B	6LK67102300	PU-5018A	1	1/S	eS3518A/4518A/5018A



ITEM No.	PART No.	PART NAME	Q'TY / PAGE	Q'TY / PACK	REMARKS
1	6LK72105000	DEV-KIT-5008A	1	1/S	
2 A	6LK72103000	FR-KIT-3008A	1	1/S	eS2018A/2518A/3018A
2 B	6LK72103100	FR-KIT-5008A	1	1/S	eS3518A/4518A/5018A
3	6LK50755000	ROL-KIT-FC30-U	1	1/S	

TOSHIBA

TOSHIBA TEC CORPORATION

1-11-1, OSAKI, SHINAGAWA-KU, TOKYO, 141-8562, JAPAN