

TOSHIBA

SERVICE PARTS LIST

MULTIFUNCTIONAL DIGITAL SYSTEMS

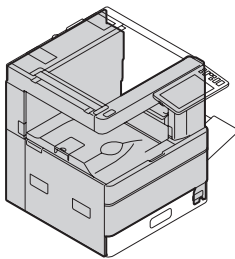
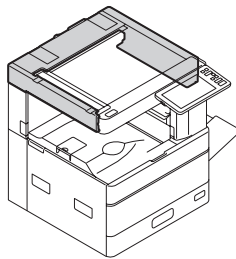
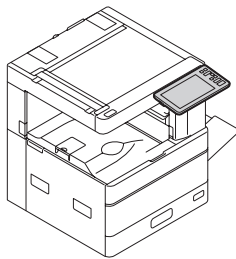
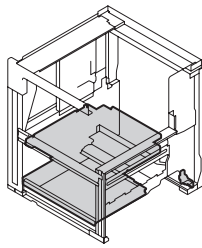
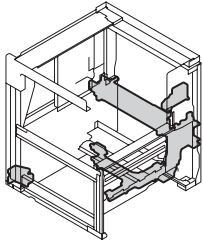
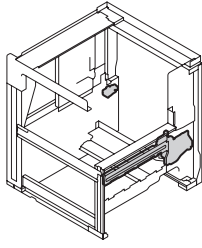
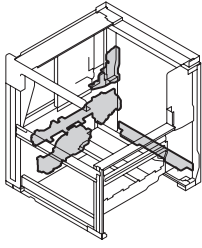
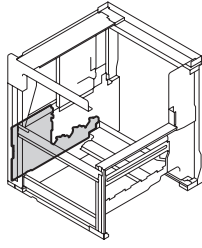
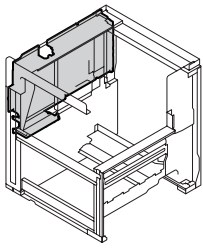
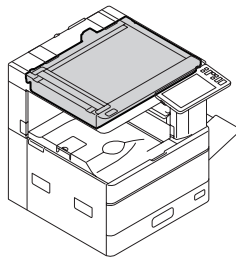
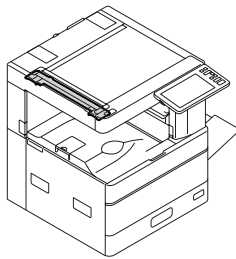
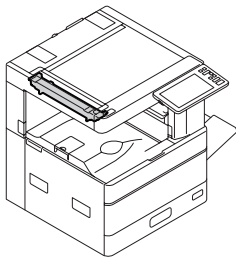
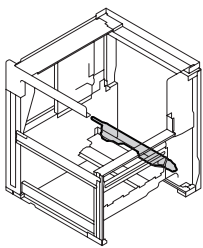
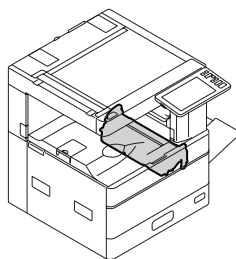
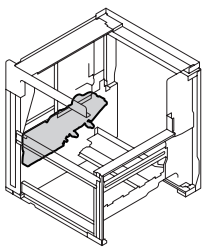
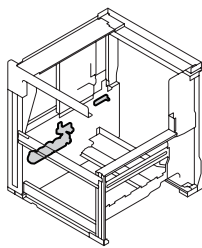
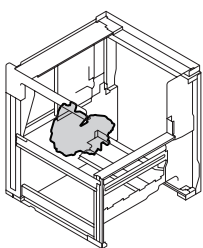
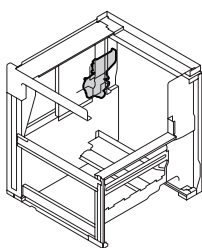
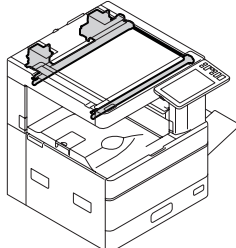
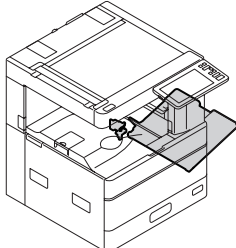
e-STUDIO2010AC/2510AC

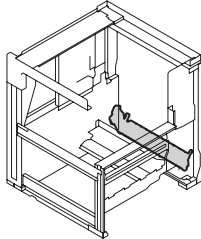
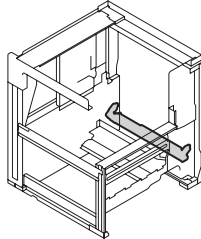
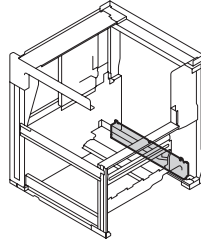
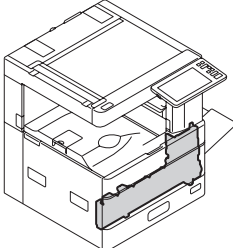
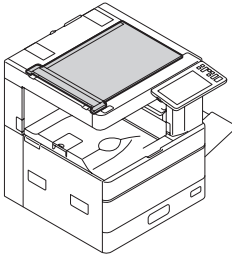
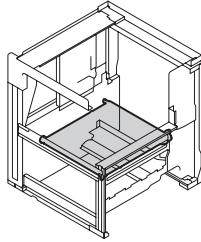
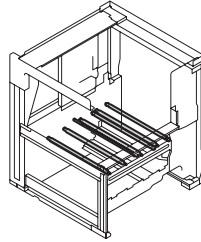
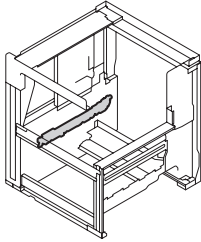
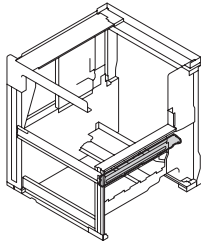
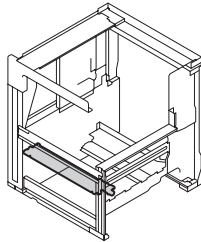
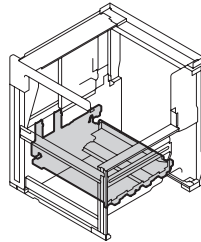
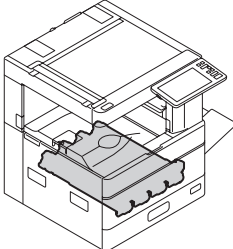
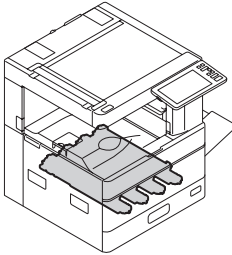
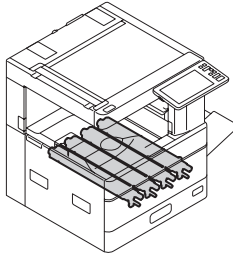
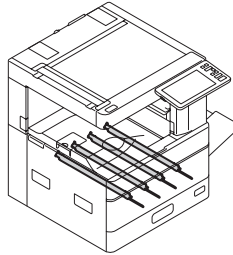
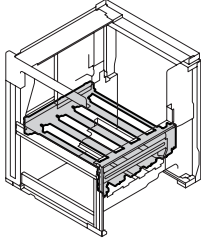
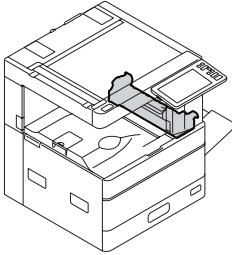
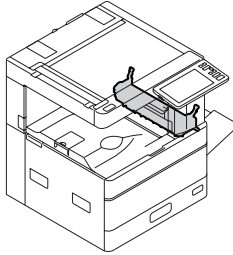
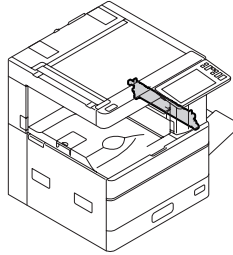
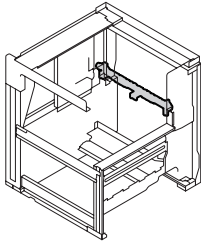
© 2018 TOSHIBA TEC CORPORATION All rights reserved

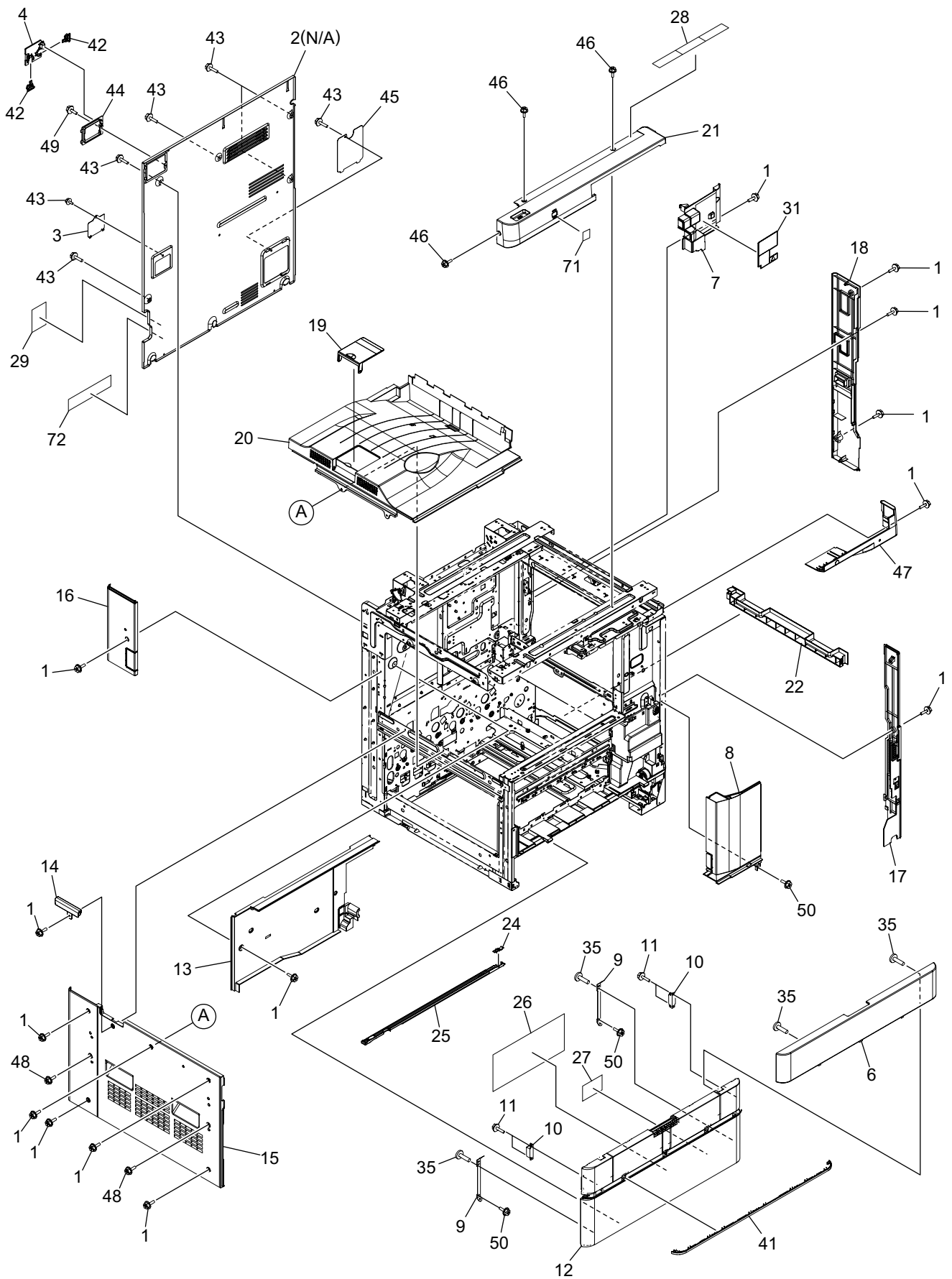
Under the copyright laws, this manual cannot be reproduced in any form without prior written permission of TOSHIBA TEC CORPORATION. No patent liability is assumed, however, with respect to the use of the information contained herein.

CONTENTS

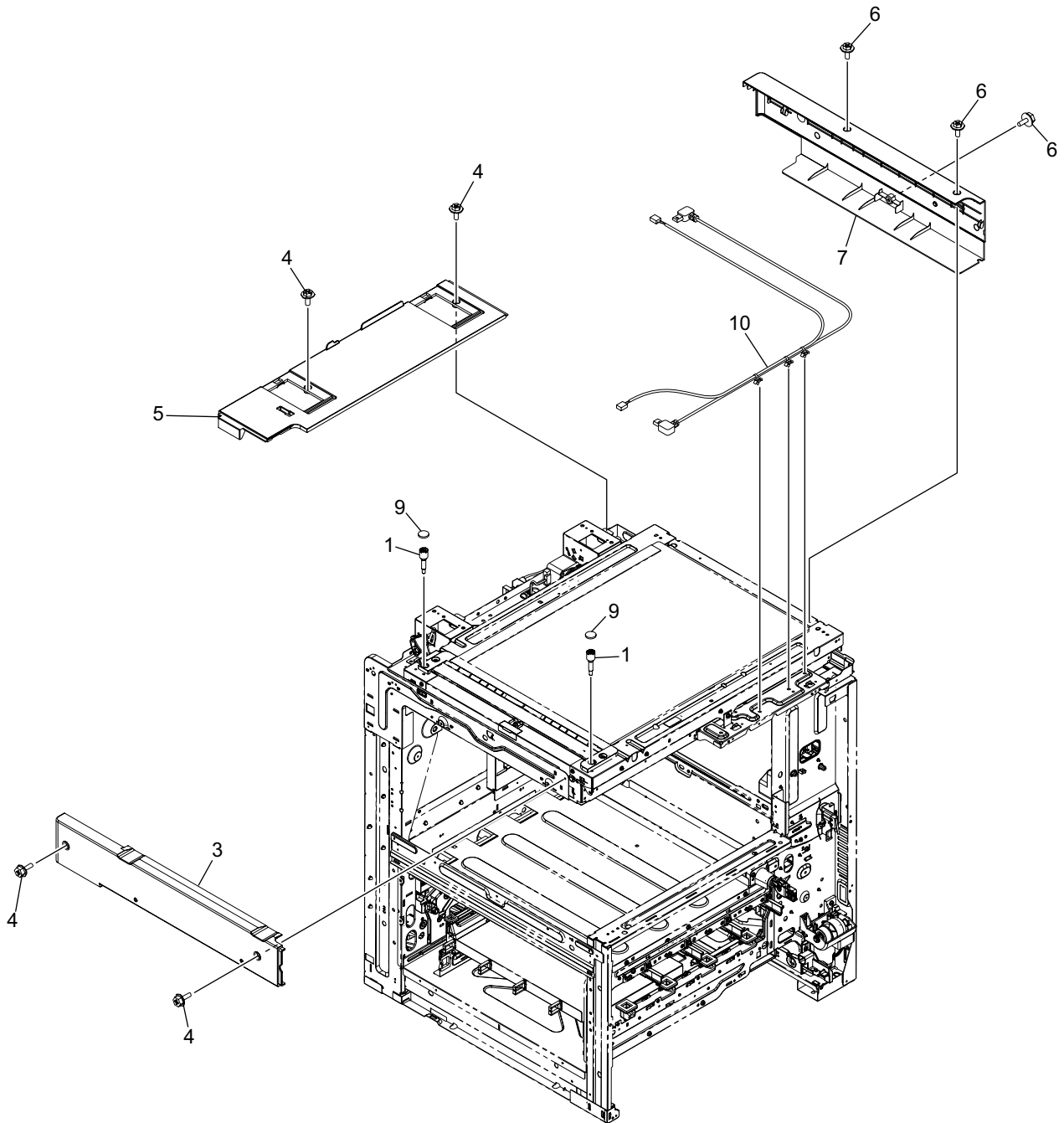
| | | | |
|----------------------------|----|--------------------|-----|
| COVER-1-ASY | 1 | ADU-1-ASY | 41 |
| COVER-2-ASY | 2 | ADU-2-ASY | 42 |
| CONTROL-PANEL-ASY..... | 3 | DRAWER-ASY | 43 |
| FRAME-1-ASY | 4 | JIGS & GREASE..... | 101 |
| FRAME-2-ASY | 5 | SUPPLIES..... | 102 |
| FRAME-3-ASY | 6 | REPLACE UNIT | 103 |
| FRAME-4-ASY | 7 | PM-KIT | 104 |
| ELECTRIC-ASY | 8 | REFRESH-KIT | 105 |
| CASE-SYS-LGC-ASY | 9 | | |
| OPTICAL-FRAME-ASY..... | 10 | | |
| CRG-1-ASY..... | 11 | | |
| CRG-2-ASY..... | 12 | | |
| GUIDE-RGST-ASY..... | 13 | | |
| TRU-ASY..... | 14 | | |
| DRIVE-DRUM-1-ASY..... | 15 | | |
| DRIVE-DRUM-2-ASY..... | 16 | | |
| PAPER-FEED-DRIVE-ASY | 17 | | |
| DRIVE-FUSER_EXIT-ASY..... | 18 | | |
| OPTICAL-DRIVE..... | 19 | | |
| BYPASS-ASY..... | 20 | | |
| BYPASS-FEEDER-ASY | 21 | | |
| RGST-GUIDE..... | 22 | | |
| FEEDER-GUIDE-ASY | 23 | | |
| DRIVE-WTNR-ASY | 24 | | |
| GLASS-ASY..... | 25 | | |
| TBU-ASY-1..... | 26 | | |
| TBU-ASY-2..... | 27 | | |
| TBU-ASY-3..... | 28 | | |
| TBU-ASY-4..... | 29 | | |
| TBU-ASY-5..... | 30 | | |
| EPU-GUIDE-ASY | 31 | | |
| DEVELOPER-ASY-1 | 32 | | |
| DEVELOPER-ASY-2 | 33 | | |
| CLEANER-ASY | 34 | | |
| MAIN-CHARGER-ASY..... | 35 | | |
| TNR-DRIVE-ASY | 36 | | |
| FUSER-ASY-1..... | 37 | | |
| FUSER-ASY-2..... | 38 | | |
| FUSER-ASY-3..... | 39 | | |
| EXIT-L-ASY | 40 | | |

| | | | |
|---|---|--|---|
| <p>1. COVER-1-ASY</p>  | <p>2. COVER-2-ASY</p>  | <p>3. CONTROL-PANEL-ASY</p>  | <p>4. FRAME-1-ASY</p>  |
| <p>5. FRAME-2-ASY</p>  | <p>6. FRAME-3-ASY</p>  | <p>7. FRAME-4-ASY</p>  | <p>8. ELECTRIC-ASY</p>  |
| <p>9. CASE-SYS-LGC-ASY</p>  | <p>10. OPTICAL-FRAME-ASY</p>  | <p>11. CRG-1-ASY</p>  | <p>12. CRG-2-ASY</p>  |
| <p>13. GUIDE-RGST-ASY.</p>  | <p>14. TRU-ASY</p>  | <p>15. DRIVE-DRUM-1-ASY</p>  | <p>16. DRIVE-DRUM-2-ASY</p>  |
| <p>17. PAPER-FEED-DRIVE-ASY</p>  | <p>18. DRIVE-FUSER_EXIT-ASY</p>  | <p>19. OPTICAL-DRIVE</p>  | <p>20. BYPASS-ASY</p>  |

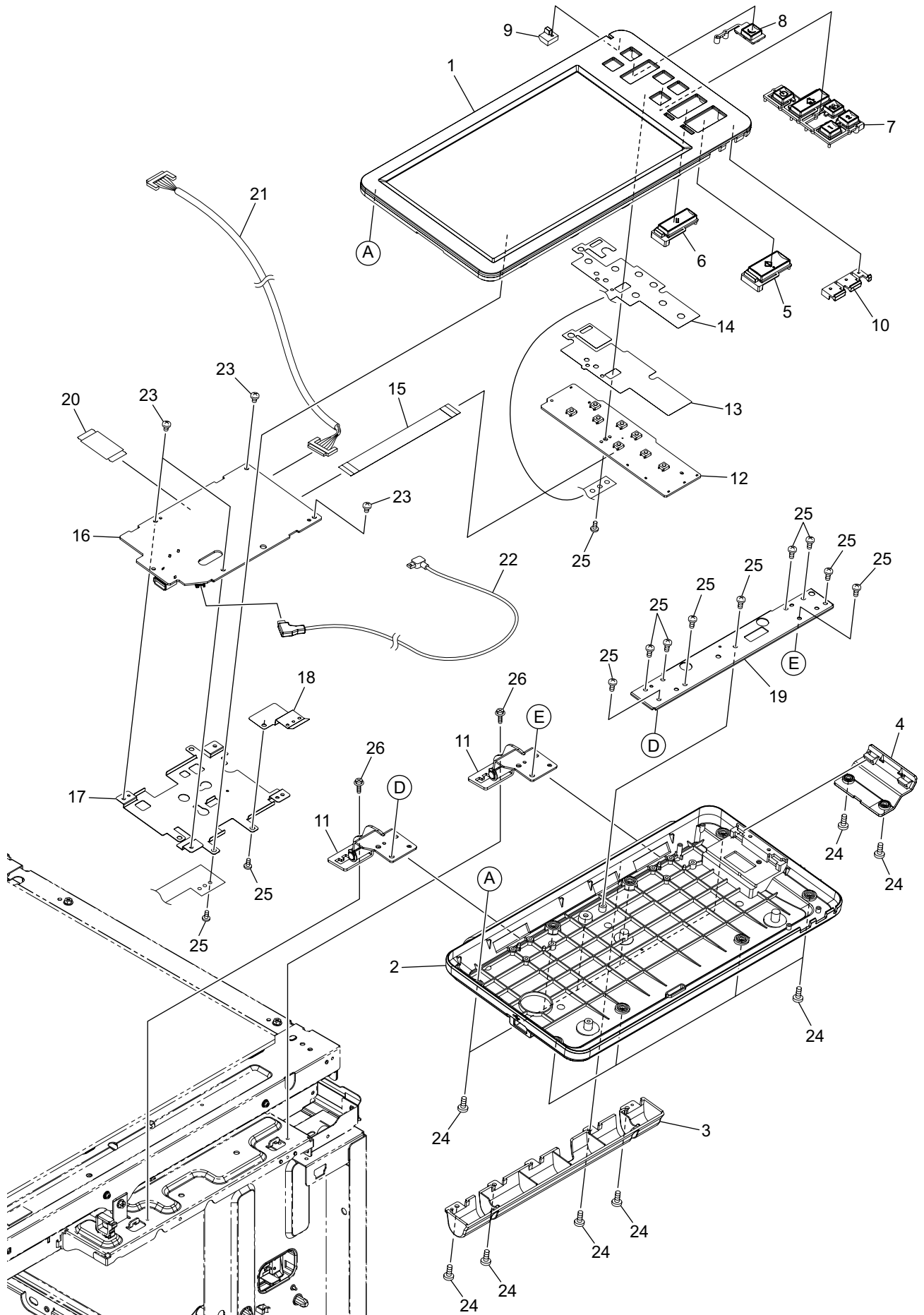
| | | | |
|--|--|--|--|
| <p>21. BYPASS-FEEDER-ASY</p>  | <p>22. RGST-GUIDE</p>  | <p>23. FEEDER-GUIDE-ASY</p>  | <p>24. DRIVE-WTNR-ASY</p>  |
| <p>25. GLASS-ASY</p>  | <p>26. TBU-ASY-1</p>  | <p>27. TBU-ASY-2</p>  | <p>28. TBU-ASY-3</p>  |
| <p>29. TBU-ASY-4</p>  | <p>30. TBU-ASY-5</p>  | <p>31. EPU-GUIDE-ASY</p>  | <p>32. DEVELOPER-ASY-1</p>  |
| <p>33. DEVELOPER-ASY-2</p>  | <p>34. CLEANER-ASY</p>  | <p>35. MAIN-CHARGER-ASY</p>  | <p>36. TNR-DRIVE-ASY</p>  |
| <p>37. FUSER-ASY-1</p>  | <p>38. FUSER-ASY-2</p>  | <p>39. FUSER-ASY-3</p>  | <p>40. EXIT-L-ASY</p>  |



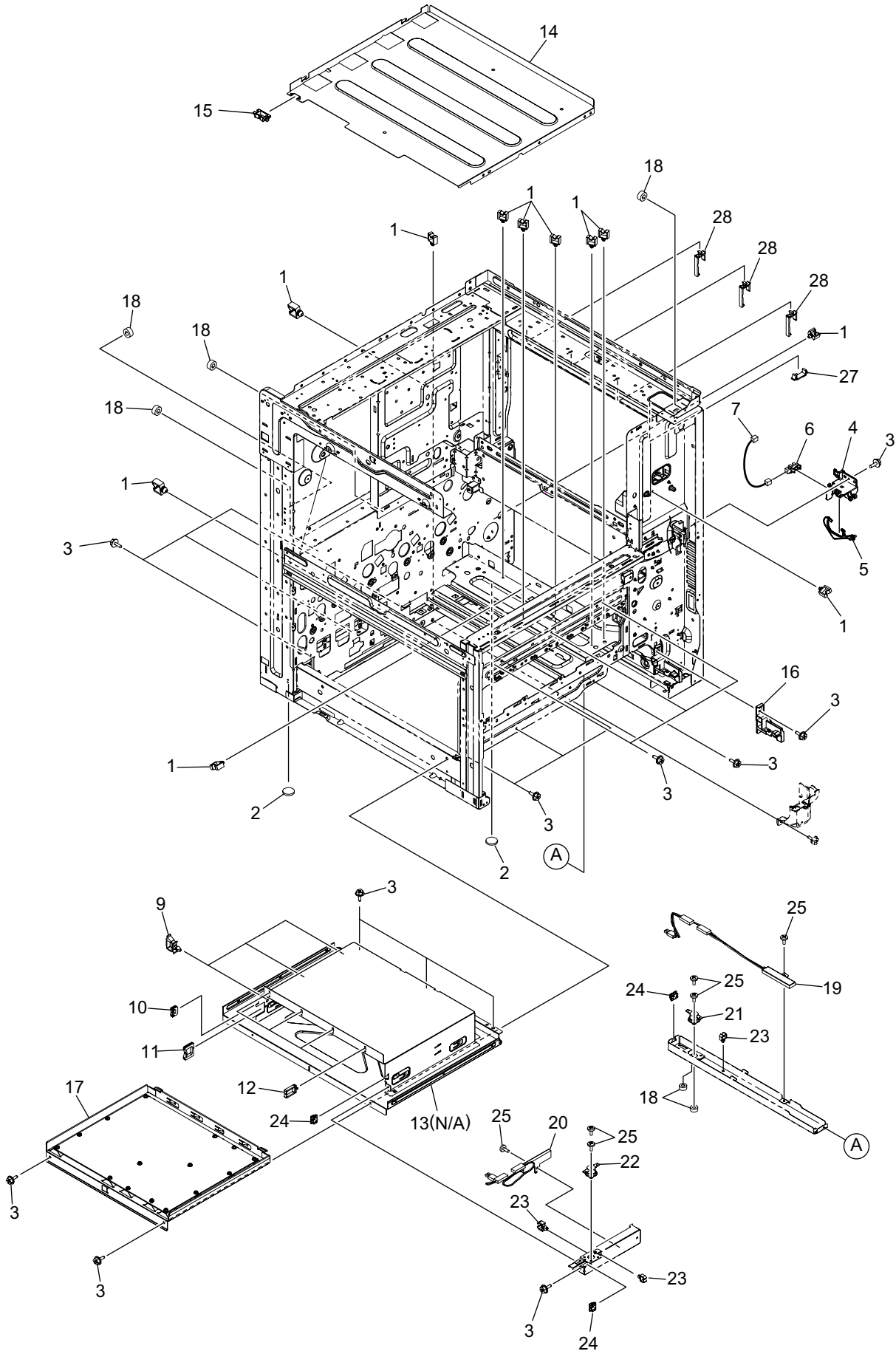
| ITEM No. | PART No. | PART NAME | Q'TY / PAGE | Q'TY / PACK | REMARKS |
|----------|-------------|--------------------------|-------------|-------------|--|
| 1 | X0-02681000 | S/TPD3/FHEXM/R-3X8-ZB3 | 14 | 10/P | |
| 2 A | 6LK48723000 | COVER-REAR-H370NM | 1 | N/A*** | NAD,MJD |
| 2 B | 6LK48723100 | COVER-REAR-H370W | 1 | N/A*** | ASD,AUD,ARD,CND,TWD |
| 3 A | 6LE06344000 | BLIND-KEY-CTR-390 | 1 | 1/P | ASD,AUD,ARD,CND,TWD |
| 4 | 6LK48725000 | COVER-DF_FIN-CNT-H370 | 1 | 1/P | |
| 6 | 6LK48774000 | ASYS-COV-DECO-TSB | 1 | 1/PP | |
| 7 A | 6LK48737000 | ASYS-COV-FUS-R-H370 | 1 | 1/PP | NAD,MJD,ASD,AUD,ARD,TWD |
| 7 B | 6LK48737100 | ASYS-COV-FUS-R-H370_C | 1 | 1/PP | CND |
| 8 | 6LK48705000 | COVER-FRT-PILLAR-H370 | 1 | 1/PP | |
| 9 | 6LJ53780000 | MYLAR-BAND-COV-FRT | 2 | 1/P | |
| 10 | F0-01394000 | CA-0131B | 2 | 1/P | |
| 11 | X0-02248000 | S/TPP/FHEXM-3X10-NI | 4 | 10/P | |
| 12 | 6LK48717000 | COVER-FRONT-H370 | 1 | 1/PP | |
| 13 | 6LJ53707600 | COVER-TRAY-BACK-H370 | 1 | 1/PP | |
| 14 | 6LK48711000 | COVER-LEFT-2-H370 | 1 | 1/P | |
| 15 | 6LK48706000 | COVER-LEFT-H370 | 1 | 1/PP | |
| 16 | 6LK48707000 | COVER-LEFT-REAR-H370 | 1 | 1/PP | |
| 17 | 6LK48718000 | COVER-FRT-PILLAR-R-H370 | 1 | 1/PP | |
| 18 | 6LK48719000 | COVER-RIGHT-REAR-H370 | 1 | 1/PP | |
| 19 | 6LH52423700 | COVER-STOP-PAPER-470-N_B | 1 | 1/P | |
| 20 | 6LJ53764200 | COVER-TRAY-H21X-H370_B | 1 | 1/PP | |
| 21 A | 6LK48772000 | ASYS-COV-TP-FRT-FC2010 | 1 | 1/PP | eS2010AC |
| 21 B | 6LK48772100 | ASYS-COV-TP-FRT-FC2510 | 1 | 1/PP | eS2510AC |
| 22 | 6LJ53716200 | COVER-RGT-BOTTOM-LOW_B | 1 | 1/PP | |
| 24 | 6LK49474000 | ASYS-PAD-CLNR-LED | 1 | 1/P | |
| 25 | 6LK49473000 | ASYS-ROD-CLNR-LED | 1 | 1/P | |
| 26 | 6LK48758000 | SHEET-GUIDANCE-H370 | 1 | 1/KP | |
| 27 | 4406550190 | LBL-HVT-BIT | 1 | 5/P | |
| 28 A | 6LK54437000 | LBL-PROHIBIT-U-H37X | 1 | 1/KP | NAD |
| 28 B | 6LK54440000 | LBL-PROHIBIT-C-H37X | 1 | 1/KP | CND |
| 28 C | 6LK54438000 | LBL-PROHIBIT-E-H37X | 1 | 1/KP | MJD,ASD,AUD,ARD |
| 28 D | 6LK54468000 | LBL-PROHIBIT-T-H37X | 1 | 1/KP | TWD |
| 29 A | 6LK54463000 | LBL-SERVICE-CABLE-N | 1 | 1/KP | MJD |
| 29 B | 6LA56227000 | LBL-SERVICE-45C | 1 | 5/KP | CND |
| 29 C | 6LA48504000 | LBL-SERVICE-45-TWD | 1 | 5/KP | TWD |
| 31 A | 6LK52027000 | LBL-HOT-H370 | 1 | 1/P | NAD,MJD,ASD,AUD,ARD,TWD |
| 31 B | 6LK52028000 | LBL-HOT-H370-C | 1 | 1/P | CND |
| 35 | X0-01989000 | S/TPP/BID-3X8-NI | 4 | 10/P | |
| 41 | 6LK48766200 | COVER-RIM-HS | 1 | 1/PP | |
| 42 | 6LK48727000 | COVER-DF-SUB-H373 | 2 | 1/P | |
| 43 | X0-02230000 | S/FHEXM-M3X6-NI | 7 | 10/P | NAD,MJD,ASD,AUD,ARD,CND,TWD |
| 44 | 6LK48726000 | COVER-INNER-DF-FIN | 1 | 1/P | |
| 45 | 6LH52427000 | COVER-REAR-SUB | 1 | 1/P | |
| 46 | X0-02672000 | S/FHEXM-M3X8-ZB3 | 3 | 10/P | |
| 47 | 6LK48736000 | COV-FRT-PILLAR-U | 1 | 1/PP | |
| 48 | X0-02678000 | S/TPS/FHEXM/R-4X8-ZB3 | 2 | 10/P | |
| 49 | X0-02671000 | S/FHEXM-M3X6-ZB3 | 1 | 10/P | |
| 50 | X0-02420000 | S/TPS/FHEXM/R-3X8-ZU3 | 3 | 10/P | |
| 71 | 6LK56621000 | LBL-IDGATE-MARK-KP2007 | 1 | 1/P | Exclusively supplied as the service part |
| 72 | 6LJ68385000 | LBL-NAD-FCC-2 | 1 | 1/KP | |
| | | | | | |
| | | | | | |
| | | | | | |



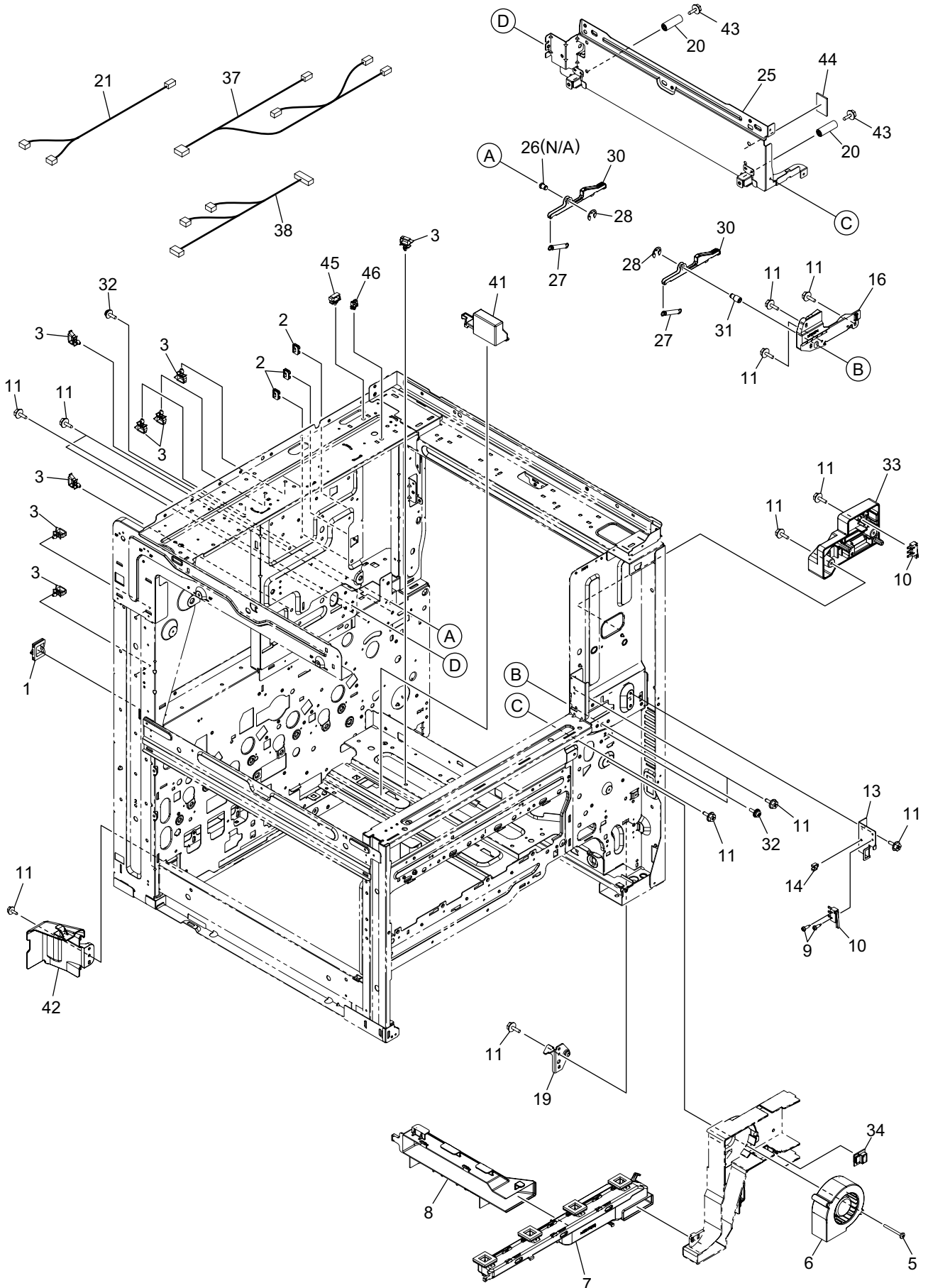
| ITEM No. | PART No. | PART NAME | Q'TY / PAGE | Q'TY / PACK | REMARKS |
|----------|-------------|------------------------|-------------|-------------|---------|
| 1 | 6LJ59784000 | LOCK-CRG-H21X | 2 | 1/P | |
| 3 | 6LK53234000 | COVER-TP-LFT-H370 | 1 | 1/PP | |
| 4 | X0-02681000 | S/TPD3/FHEXM/R-3X8-ZB3 | 4 | 10/P | |
| 5 | 6LK53233000 | COVER-TP-RER-H370 | 1 | 1/PP | |
| 6 | X0-02672000 | S/FHEXM-M3X8-ZB3 | 3 | 10/P | |
| 7 | 6LK53271000 | ASYS-COV-TP-RGT-H370 | 1 | 1/PP | |
| 9 | 6LH56607200 | LID-SCREW-H370 | 2 | 5/P | |
| 10 | 6LK83499000 | ASYB-HRNS-USB-K100 | 1 | 1/P | |
| | | | | | |
| | | | | | |
| | | | | | |
| | | | | | |
| | | | | | |
| | | | | | |
| | | | | | |
| | | | | | |
| | | | | | |
| | | | | | |
| | | | | | |
| | | | | | |
| | | | | | |
| | | | | | |
| | | | | | |
| | | | | | |
| | | | | | |
| | | | | | |



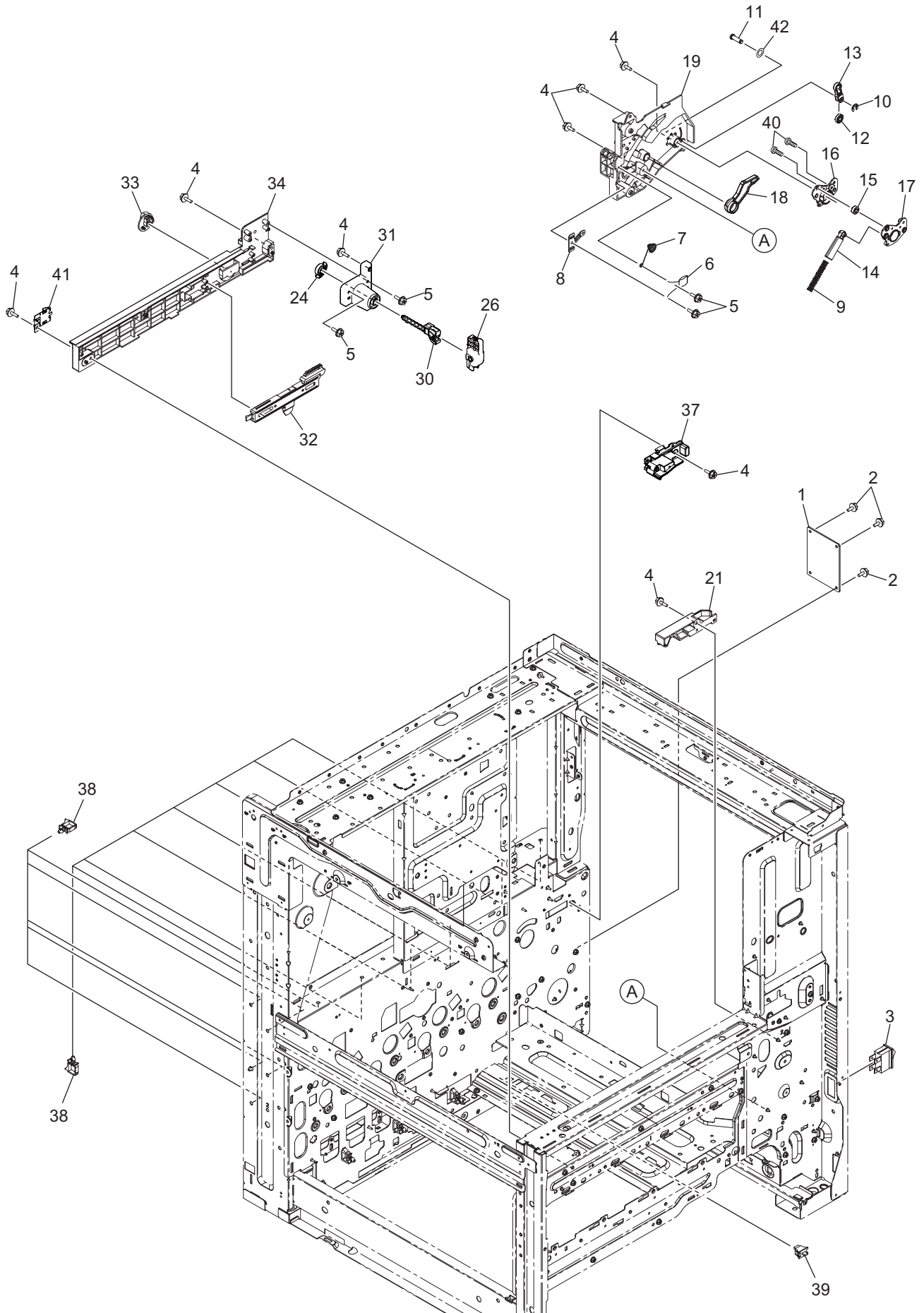
| ITEM No. | PART No. | PART NAME | Q'TY / PAGE | Q'TY / PACK | REMARKS |
|----------|-------------|------------------------|-------------|-------------|-------------|
| 1 A | 6LK48609000 | CONPANE-LCD-K1XX-SVP-W | 1 | 1/C | NAD,MJD,ARD |
| 1 B | 6LK48609100 | CONPANE-LCD-K1XX-SVP-A | 1 | 1/C | ASD,AUD |
| 1 C | 6LK48609300 | CONPANE-LCD-K1XX-SVP-C | 1 | 1/C | CND |
| 2 | 6LK48608000 | COVER-CONPANE-LWR-K100 | 1 | 1/PP | |
| 3 | 6LK48569000 | COVER-HINGE-K100 | 1 | 1/PP | |
| 4 | 6LK48603000 | COVER-SIDE-K1XX | 1 | 1/P | |
| 5 | 6LK48607000 | KEY-START-K1XX | 1 | 1/P | |
| 6 | 6LK48606000 | KEY-RESET-K1XX | 1 | 1/P | |
| 7 | 6LK48604000 | KEY-FUNCTION-K1XX | 1 | 1/P | |
| 8 | 6LK48605000 | KEY-ENERGY-K1XX | 1 | 1/P | |
| 9 | 6LK48570000 | LID-POWER-K1XX | 1 | 1/P | |
| 10 | 6LK48571000 | LID-LED-K1XX | 1 | 1/P | |
| 11 | 6LK48576000 | ASYS-HINGE-K100 | 2 | 1/P | |
| 12 | 6LK48595000 | PWA-SW-K1XX | 1 | 1/SB | |
| 13 | 6LK48601000 | FILM-SW-K1XX | 1 | 1/P | |
| 14 | 6LK48602000 | FILM-SW-K1XX-2 | 1 | 1/P | |
| 15 | 6LK48597000 | HRNS-KEY-K1XX-2 | 1 | 1/P | |
| 16 | 6LK48596000 | PWA-LCD-K1XX | 1 | 1/SB | |
| 17 | 6LK48573000 | SHIELD-PCB-K1XX | 1 | 1/P | |
| 18 | 6LK48574000 | EARTH-SPRING-K1XX | 1 | 1/P | |
| 19 | 6LK48575000 | BASE-BRACKET-K100 | 1 | 1/P | |
| 20 | 6LK48598000 | HRNS-KEY-K1XX-1 | 1 | 1/P | |
| 21 | 6LK48599000 | CABLE-LCD-K1XX | 1 | 1/P | |
| 22 | 6LK48600000 | USB-CABLE-K11X | 1 | 1/P | |
| 23 | 6LK48594000 | SCREW-M3X4 | 4 | 5/P | |
| 24 | 6LK48593000 | SCREW-M3X8 | 15 | 5/P | |
| 25 | 6LK48592000 | SCREW-M3X6 | 12 | 5/P | |
| 26 | X0-02681000 | S/TPD3/FHEXM/R-3X8-ZB3 | 2 | 10/P | |
| | | | | | |
| | | | | | |
| | | | | | |
| | | | | | |
| | | | | | |
| | | | | | |
| | | | | | |
| | | | | | |
| | | | | | |
| | | | | | |
| | | | | | |
| | | | | | |



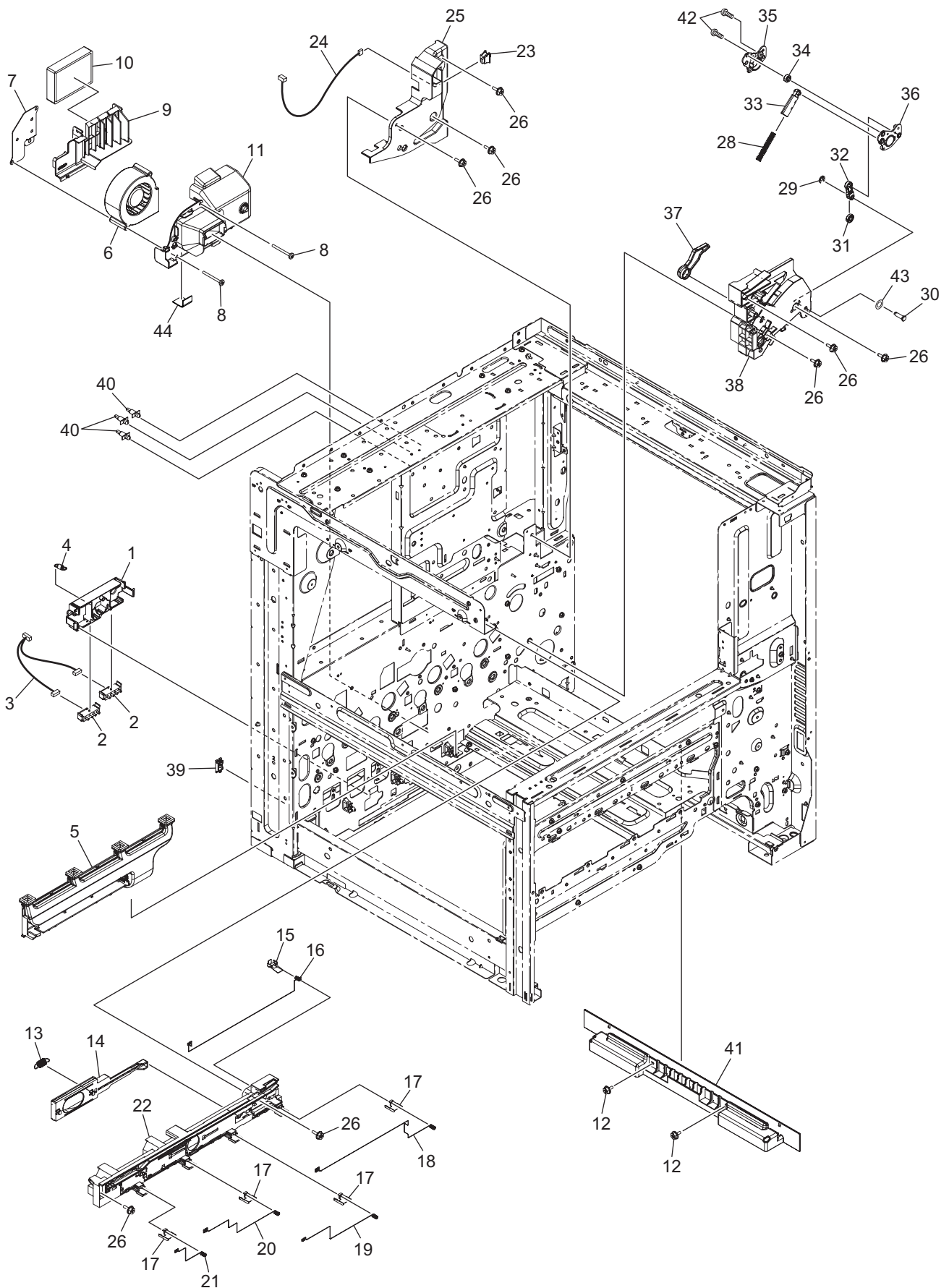
| ITEM No. | PART No. | PART NAME | Q'TY / PAGE | Q'TY / PACK | REMARKS |
|----------|-------------|------------------------|-------------|-------------|-------------------------|
| 1 | F0-01250000 | MSB-1207 | 11 | 5/P | |
| 2 | 6LH54676000 | FOOT-FRM-BASE | 2 | 5/P | |
| 3 A | X0-02420000 | S/TPS/FHEXM/R-3X8-ZU3 | 16 | 10/P | NAD,MJD,CND |
| 3 B | X0-02420000 | S/TPS/FHEXM/R-3X8-ZU3 | 18 | 10/P | ASD,AUD,ARD,TWD |
| 4 | 6LJ56948000 | HOLDER-SNSR-EMPTY-H21X | 1 | 1/P | |
| 5 | 6LE53709000 | ACTR-SNSR-280 | 1 | 1/P | |
| 6 | C0-17839000 | LG2A14BL1 | 1 | 1/C | |
| 7 | 6LJ60259000 | HRNS-PFP-FED-210 | 1 | 1/P | |
| 9 | F0-01811000 | LWS-0711S-V0 | 3 | 5/P | |
| 10 | F0-00120000 | ES-0505 | 1 | 5/P | |
| 11 | F0-00047000 | EDS-1717U | 1 | 10/P | |
| 12 | F0-01263000 | RWS-3T V0 | 4 | 5/P | |
| 13 | 6LJ52324000 | ASYS-PLATE-MID-H21X | 1 | N/A*** | |
| 14 | 6LJ52305000 | STAY-TOP-H21X | 1 | 1/P | |
| 15 | F0-00045000 | EDS-1 | 1 | 10/P | |
| 16 | 6LJ56836000 | LOCK-CST-H21X-EL | 1 | 1/P | |
| 17 A | 6LK83393000 | PS-ACC-K100D-AB | 1 | 1/SB | NAD,ASD,AUD,ARD,CND,TWD |
| 17 B | 6LK83394000 | PS-ACC-K100T-AB | 1 | 1/SB | MJD |
| 18 A | 6LE25210000 | CUSH-FRM-SCREW-380 | 4 | 1/P | NAD,MJD,CND |
| 18 B | 6LE25210000 | CUSH-FRM-SCREW-380 | 6 | 1/P | ASD,AUD,ARD,TWD |
| 19 A | 6LJ60545100 | HEATR-DRUM1-210-U | 1 | 1/C | TWD |
| 19 B | 6LJ60545200 | HEATR-DRUM1-210-E | 1 | 1/C | ASD,AUD,ARD |
| 20 A | 6LJ60546100 | HEATR-DRUM2-210-U | 1 | 1/C | TWD |
| 20 B | 6LJ60546200 | HEATR-DRUM2-210-E | 1 | 1/C | ASD,AUD,ARD |
| 21 B | 6LJ60731000 | THRMST-DAMP1-CS7L-210 | 1 | 1/D | ASD,AUD,ARD,TWD |
| 22 B | 6LJ61274000 | THRMST-DAMP2-CS7L-H212 | 1 | 1/D | ASD,AUD,ARD,TWD |
| 23 B | F0-00270000 | UAMS-05L-0-46 | 3 | 10/P | ASD,AUD,ARD,TWD |
| 24 B | F0-00671000 | EDS-0607M | 3 | 5/P | ASD,AUD,ARD,TWD |
| 25 B | X0-00430000 | S/BID-M3X6-NI | 6 | 10/P | ASD,AUD,ARD,TWD |
| 27 | F0-01451000 | RFC-16V0 | 1 | 1/P | |
| 28 | F0-00036000 | RLWS3TV0 | 3 | 5/P | |
| | | | | | |
| | | | | | |
| | | | | | |
| | | | | | |
| | | | | | |
| | | | | | |
| | | | | | |
| | | | | | |
| | | | | | |



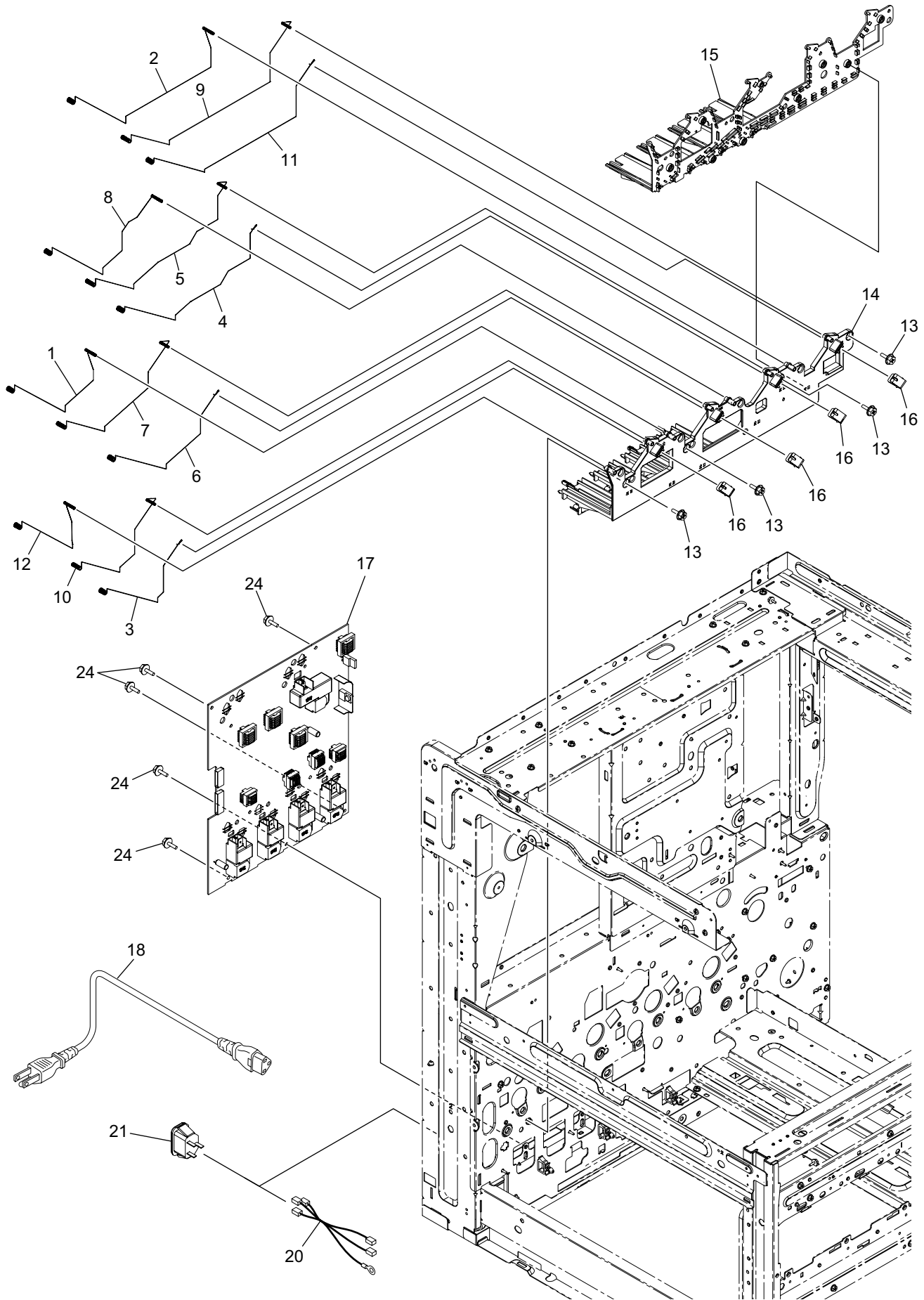
| ITEM No. | PART No. | PART NAME | Q'TY / PAGE | Q'TY / PACK | REMARKS |
|----------|-------------|--------------------------|-------------|-------------|--------------------------------|
| 1 | F0-00047000 | EDS-1717U | 1 | 10/P | |
| 2 | F0-02296000 | ES-0505-2 | 3 | 5/P | |
| 3 | F0-01811000 | LWS-0711S-V0 | 8 | 5/P | |
| 5 | X0-00461000 | S/BID-M4X35-NI | 1 | 10/P | |
| 6 | 6LK48235000 | FAN-7530-170-H370 | 1 | 1/D | |
| 7 | 6LJ53119000 | ASYS-DUCT-OZN-FRT-H21X | 1 | 1/PP | |
| 8 | 6LJ53100100 | DUCT-LVPS-COOL-H21X_S | 1 | 1/PP | |
| 9 | 44204394000 | SCREW20XD23 | 2 | 10/P | |
| 10 | E0-15604000 | DE2L-BALGY | 2 | 1/D | |
| 11 | X0-02420000 | S/TPS/FHEXM/R-3X8-ZU3 | 14 | 10/P | |
| 13 | 6LJ52809000 | BRKT-INTERLOCK-SW-H21X | 1 | 1/P | |
| 14 | F0-01250000 | MSB-1207 | 1 | 5/P | |
| 16 | 6LJ58060000 | GUIDE-RAIL-FUS-F | 1 | 1/PP | |
| 19 | 6LJ57337100 | ASYB-HINGE-F_B | 1 | 1/P | |
| 20 | 6LJ58082000 | SPG-C-PUSH-FUS-F | 2 | 1/P | |
| 21 A | 6LK83400000 | HRNS-LVPS-FUSER-K100-100 | 1 | 1/P | NAD,ASD,AUD,ARD,CND,TWD MJD |
| 21 B | 6LK83384000 | HRNS-LVPS-FUSER-K100-230 | 1 | 1/P | |
| 25 | 6LK52012000 | ASYS-STAY-FUSER-H370 | 1 | 1/P | |
| 26 | 6LJ58075000 | STUD-LVR-LOCK-R | 1 | N/A*** | |
| 27 | 6LJ58037000 | SPG-E-LVR-LOCK | 2 | 1/P | |
| 28 | X0-00966000 | RR/E-5-SS | 2 | 10/P | |
| 30 | 6LJ58107000 | ASYB-COVER-LVR-LOCK | 2 | 1/P | |
| 31 | 6LJ58074000 | STUD-LVR-LOCK-F | 1 | 1/P | |
| 32 | X0-00077000 | S/PAN/SWWP-M3X8-NI | 2 | 10/P | |
| 33 | 6LJ52395200 | HOLD-ADU-HOOK-F-K10X | 1 | 1/P | |
| 34 | D0-32012000 | CHS-CGC5-28 | 1 | 1/P | |
| 37 | 6LK45397000 | HRNS-LVPS-INLCSW-H370 | 1 | 1/P | |
| 38 | 6LK45996000 | HRNS-LGC-FUSER-H370 | 1 | 1/P | |
| 41 | 6LJ54685100 | SUPPORT-GUIDE-EPU_S | 1 | 1/P | |
| 42 | 6LJ52362000 | CASE-CASSETTE-RAIL-H21X | 1 | 1/D | |
| 43 | X0-02230000 | S/FHEXM-M3X6-NI | 2 | 10/P | |
| 44 | 6LK52038000 | DAMP-STAY-FUS-H370 | 1 | 1/P | |
| 45 | F0-01947000 | RLWC-1SV0 | 1 | 5/P | |
| 46 | F0-01673000 | RMS-2V0 | 1 | 5/P | |
| | | | | | |
| | | | | | |
| | | | | | |
| | | | | | |
| | | | | | |
| | | | | | |
| | | | | | |
| | | | | | |
| | | | | | |



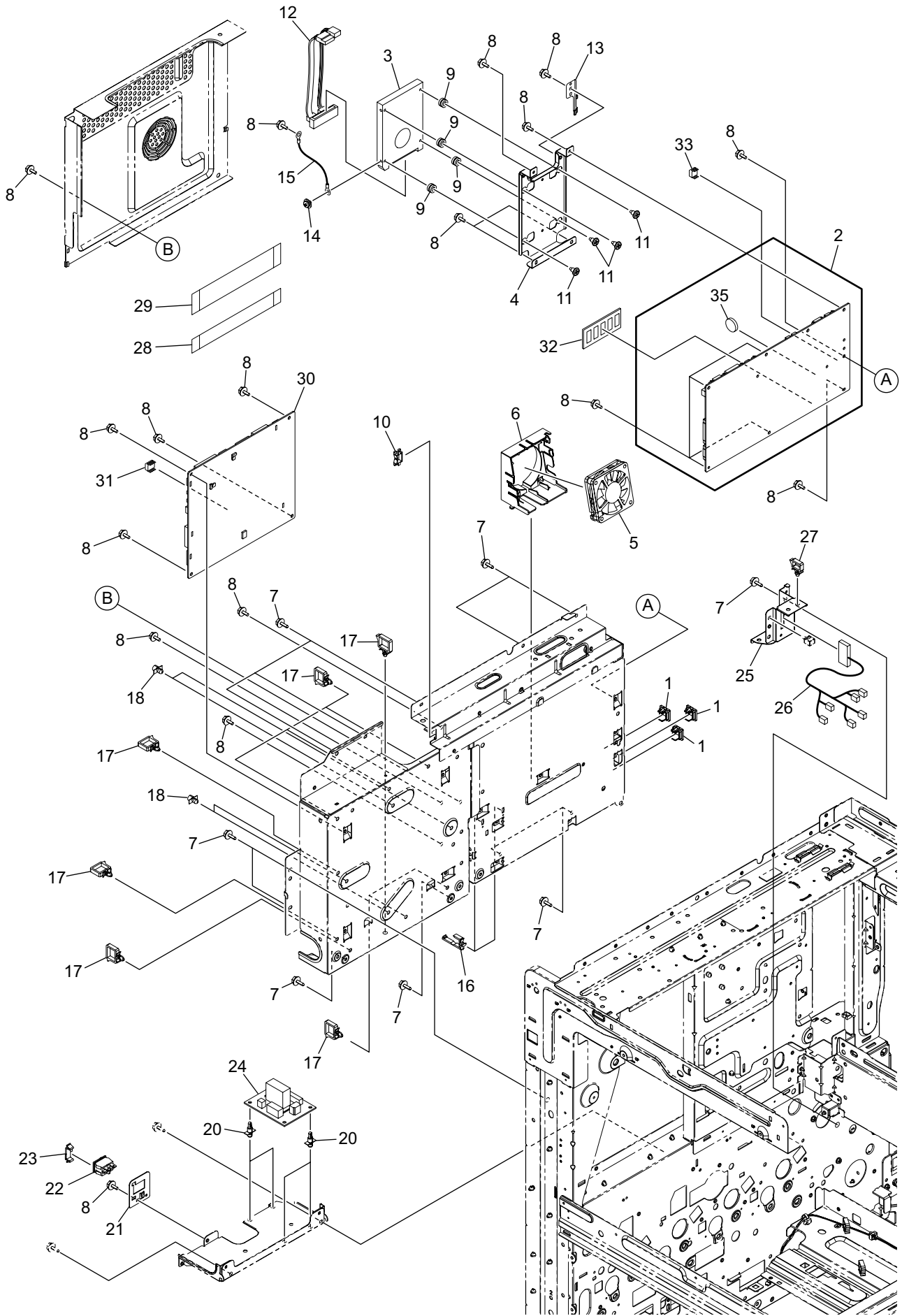
| ITEM No. | PART No. | PART NAME | Q'TY / PAGE | Q'TY / PACK | REMARKS |
|----------|-------------|-----------------------|-------------|-------------|---------|
| 1 | 6LJ60756000 | ASYB-CFD-210 | 1 | 1/SB | |
| 2 | X0-02230000 | S/FHEXM-M3X6-NI | 3 | 10/P | |
| 3 | E0-14534000 | CF-LA-2KZ2-1C | 1 | 1/C | |
| 4 | X0-02420000 | S/TPS/FHEXM/R-3X8-ZU3 | 8 | 10/P | |
| 5 | X0-02247000 | S/TPP/FHEXM-3X8-NI | 4 | 10/P | |
| 6 | D0-24198000 | ERZV10D821 | 1 | 1/C | |
| 7 | 6LK50607000 | SPG-GND-RGST-H370 | 1 | 1/P | |
| 8 | 6LJ55908100 | SPG-F-RGST-GND_2 | 1 | 1/P | |
| 9 | 6LJ55934000 | SPG-C-TR2-H21X | 1 | 1/P | |
| 10 | X0-00964000 | RR/E-3-SS | 1 | 10/P | |
| 11 | 6LJ55968000 | SHAFT-TRU-LOCK | 1 | 1/P | |
| 12 | 6LJ55911000 | COLLAR-LINK-ADU | 1 | 1/P | |
| 13 | 6LJ55905000 | ROD-HLDR-COLLAR | 1 | 1/P | |
| 14 | 6LJ55900000 | HLDR-SP-TRU | 1 | 1/P | |
| 15 | 6LJ55904000 | COLLAR-TRU-PUSH-WEISS | 1 | 1/P | |
| 16 | 6LJ55910000 | LINK-PUSH-TRU-B | 1 | 1/P | |
| 17 | 6LJ55909000 | LINK-PUSH-TRU-A | 1 | 1/P | |
| 18 | 6LJ55903000 | PUSHER-TRU-WEISS | 1 | 1/P | |
| 19 | 6LK50604000 | FRM-PUSH-TRU-F | 1 | 1/PP | |
| 21 | 6LJ55504200 | GUIDE-RAIL-TBU-F_W | 1 | 1/P | |
| 24 | 6LJ55569000 | GEAR-LINK-TBU-LVR | 1 | 1/P | |
| 26 | 6LJ55565200 | LEVER-TBULIFT-H370 | 1 | 1/P | |
| 30 | 6LJ55564100 | SHAFT-LIFT-H21Y_S | 1 | 1/P | |
| 31 | 6LJ55570100 | BRKT-LEVER-TBU_S | 1 | 1/P | |
| 32 | 6LJ55483100 | SLIDER-LIFT-K_S | 1 | 1/P | |
| 33 | 6LJ55587000 | GEAR-LINK-TBU-RAIL | 1 | 1/P | |
| 34 | 6LJ55514000 | RAIL-TBU-F-H21X | 1 | 1/PP | |
| 37 | 6LJ55187100 | ASYB-LVR-TBU-CPL_W | 1 | 1/P | |
| 38 | F0-01243000 | LWS-1211Z | 12 | 5/P | |
| 39 | E0-15050000 | SW1AG-550 | 1 | 1/D | |
| 40 | X0-00595000 | S/TPP/PAN-3X6-NI | 2 | 10/P | |
| 41 | 6LJ55441000 | SPG-F-PUSH-TBU-CL | 1 | 1/P | |
| 42 | 6LJ55953000 | WSHR-4R1X7XR25-APS | 1 | 1/P | |
| | | | | | |
| | | | | | |
| | | | | | |
| | | | | | |
| | | | | | |
| | | | | | |
| | | | | | |
| | | | | | |
| | | | | | |



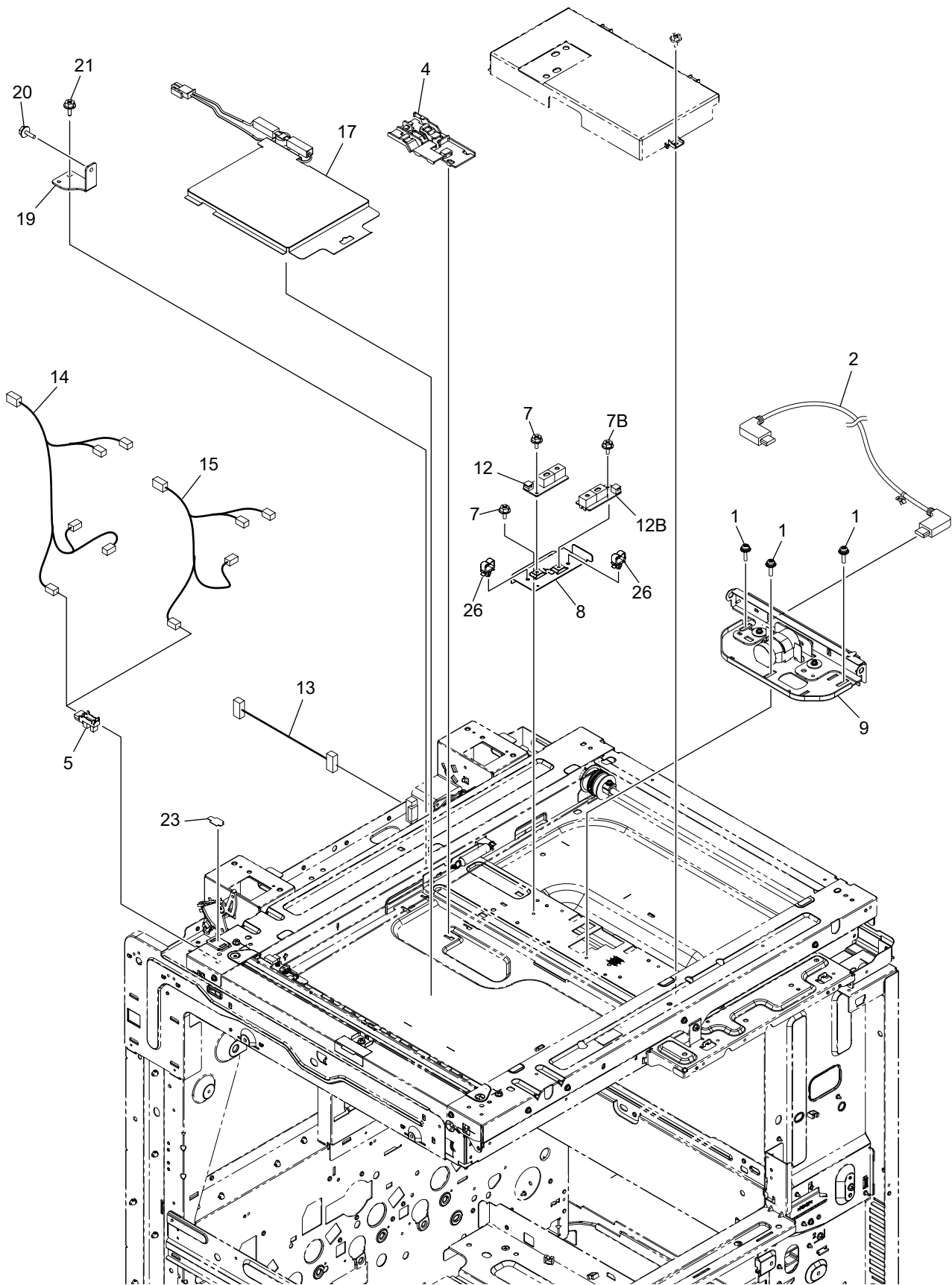
| ITEM No. | PART No. | PART NAME | Q'TY / PAGE | Q'TY / PACK | REMARKS |
|----------|-------------|-------------------------|-------------|-------------|---------|
| 1 | 6LJ56818100 | HOLDER-SNSR-CST-H21X_S | 1 | 1/P | |
| 2 | E0-14485000 | PS-42C02-F NS | 2 | 1/C | |
| 3 | 6LK45773000 | HRNS-CFD-PCST-H370 | 1 | 1/P | |
| 4 | 6LJ56887000 | SPG-E-8R8XR9X19R9 | 1 | 1/P | |
| 5 | 6LJ53118000 | ASYS-DUCT-OZN-REAR-H21X | 1 | 1/PP | |
| 6 | 6LH09500000 | FAN-P7530-430M | 1 | 1/D | |
| 7 | 6LJ53103000 | PLATE-FAN-COV-H21X | 1 | 1/P | |
| 8 | X0-00461000 | S/BID-M4X35-NI | 2 | 10/P | |
| 9 | 6LJ53102100 | DUCT-OZN-FAN-CP-H21X_S | 1 | 1/PP | |
| 10 | 6LK48248000 | FILTER-OZN-KCH-A08K | 1 | 1/C | |
| 11 | 6LJ53215100 | DUCT-OZN-FAN-H21X_S | 1 | 1/PP | |
| 12 | X0-02593000 | S/TPD3/FHEXM-3X8-ZU3 | 2 | 10/P | |
| 13 | 6LJ55471000 | SPG-E-COUPLE-TR1 | 1 | 1/P | |
| 14 | 6LJ55422000 | LINK-COUPLE-TR1 | 1 | 1/P | |
| 15 | 6LJ55440000 | SPG-F-BIAS-HV-TR2 | 1 | 1/P | |
| 16 | 6LJ55461000 | SPG-RAIL-HVT-TR2-H21X | 1 | 1/P | |
| 17 | 6LJ55439000 | SPG-F-BIAS-HV-H21X | 4 | 1/P | |
| 18 | 6LJ55460000 | SPG-RAIL-HVT-K-H21X | 1 | 1/P | |
| 19 | 6LJ55459000 | SPG-RAIL-HVT-C-H21X | 1 | 1/P | |
| 20 | 6LJ55458000 | SPG-RAIL-HVT-M-H21X | 1 | 1/P | |
| 21 | 6LJ55457000 | SPG-RAIL-HVT-Y-H21X | 1 | 1/P | |
| 22 | 6LJ55435000 | RAIL-TBU-R-H21X | 1 | 1/PP | |
| 23 | E0-01853000 | CS1A-B2CA | 1 | 1/D | |
| 24 | 6LK45450000 | HRNS-SIDESW-H370 | 1 | 1/P | |
| 25 | 6LK52011000 | GUIDE-RAIL-FUS-R-H370 | 1 | 1/PP | |
| 26 | X0-02420000 | S/TPS/FHEXM/R-3X8-ZU3 | 8 | 10/P | |
| 28 | 6LJ55934000 | SPG-C-TR2-H21X | 1 | 1/P | |
| 29 | X0-00964000 | RR/E-3-SS | 1 | 10/P | |
| 30 | 6LJ55968000 | SHAFT-TRU-LOCK | 1 | 1/P | |
| 31 | 6LJ55911000 | COLLAR-LINK-ADU | 1 | 1/P | |
| 32 | 6LJ55905000 | ROD-HLDR-COLLAR | 1 | 1/P | |
| 33 | 6LJ55900000 | HLDR-SP-TRU | 1 | 1/P | |
| 34 | 6LJ55904000 | COLLAR-TRU-PUSH-WEISS | 1 | 1/P | |
| 35 | 6LJ55910000 | LINK-PUSH-TRU-B | 1 | 1/P | |
| 36 | 6LJ55909000 | LINK-PUSH-TRU-A | 1 | 1/P | |
| 37 | 6LJ55903000 | PUSHER-TRU-WEISS | 1 | 1/P | |
| 38 | 6LJ55967000 | FRM-PUSH-TRU-R | 1 | 1/PP | |
| 39 | F0-00045000 | EDS-1 | 1 | 10/P | |
| 40 | F0-00342000 | SPLSN-6U | 3 | 5/P | |
| 41 | 6LJ53736100 | COVER-RIGHT-B_H370 | 1 | 1/PP | |
| 42 | X0-00595000 | S/TPP/PAN-3X6-NI | 2 | 10/P | |
| 43 | 6LJ55953000 | WSHR-4R1X7XR25-APS | 1 | 1/P | |
| 44 | 6LK48246000 | SEAL-DUCT-OZN-FAN-H370 | 1 | 1/P | |
| | | | | | |
| | | | | | |
| | | | | | |
| | | | | | |
| | | | | | |



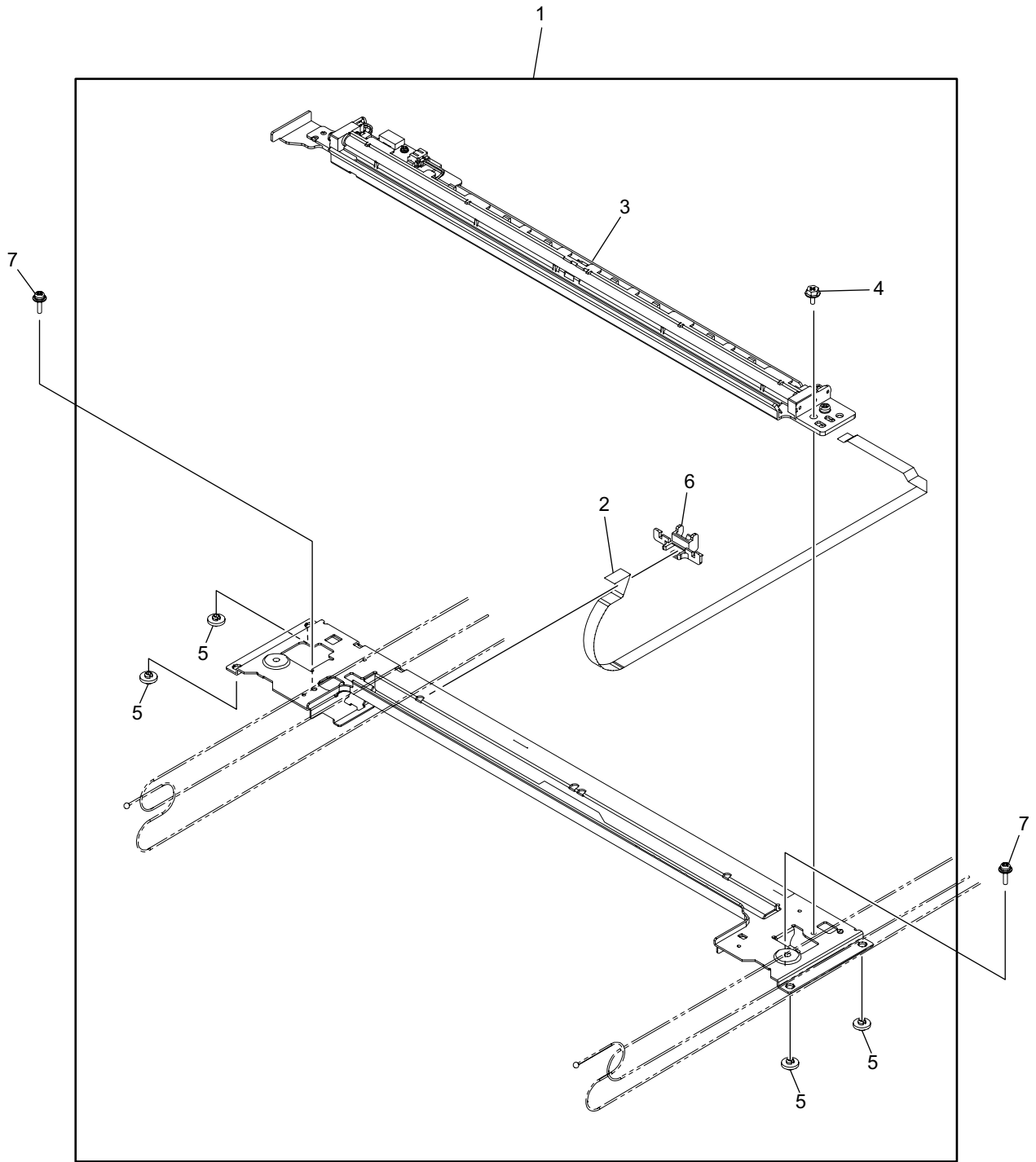
| ITEM No. | PART No. | PART NAME | Q'TY / PAGE | Q'TY / PACK | REMARKS |
|----------|-------------|---------------------------|-------------|-------------|---------|
| 1 | 6LJ54615000 | SPG-BIASDEV-H21X-M | 1 | 1/P | |
| 2 | 6LJ54613000 | SPG-BIASDEV-H21X-K | 1 | 1/P | |
| 3 | 6LK49479000 | SPG-BIASGRID-H370-Y-2 | 1 | 1/P | |
| 4 | 6LK49480000 | SPG-BIASGRID-H370-C-2 | 1 | 1/P | |
| 5 | 6LJ54611000 | SPG-BIASMAIN-H21X-C | 1 | 1/P | |
| 6 | 6LK49481000 | SPG-BIASGRID-H370-M-2 | 1 | 1/P | |
| 7 | 6LJ54612000 | SPG-BIASMAIN-H21X-M | 1 | 1/P | |
| 8 | 6LJ54614000 | SPG-BIASDEV-H21X-C | 1 | 1/P | |
| 9 | 6LJ54617000 | SPG-BIASMAIN-H21X-K | 1 | 1/P | |
| 10 | 6LJ54616000 | SPG-BIASMAIN-H21X-Y | 1 | 1/P | |
| 11 | 6LK49482000 | SPG-BIASGRID-H370-K-2 | 1 | 1/P | |
| 12 | 6LJ54618000 | SPG-BIASDEV-H21X-Y | 1 | 1/P | |
| 13 | X0-02420000 | S/TPS/FHEXM/R-3X8-ZU3 | 4 | 10/P | |
| 14 | 6LJ54623000 | HOLDER-HVEPU-H21X | 1 | 1/C | |
| 15 | 6LJ54731000 | LID-HVTEPU-H21X | 1 | 1/C | |
| 16 | 6LK49489000 | SPG-F-CASE-H21X | 4 | 1/P | |
| 17 | 6LK49455000 | ASYB-PS-HVT-H370 | 1 | 1/SB | |
| 18 A | 6LJ62294000 | CABLE-P-INLET-AU-C-S | 1 | 1/P | AUD |
| 18 B | 6LJ62295000 | CABLE-P-INLET-EUR-C-S | 1 | 1/P | MJD |
| 18 C | 6LJ62293000 | CABLE-P-INLET-UK-C-S | 1 | 1/P | ASD |
| 18 D | 6LJ62296000 | CABLE-P-INLET-NAD-15A-C-S | 1 | 1/P | NAD |
| 18 E | 6LJ62297000 | CABLE-P-INLET-CCC-C-S | 1 | 1/P | CND |
| 18 F | 6LJ61965000 | CABLE-P-INLET-AR-C | 1 | 1/P | ARD |
| 18 G | 6LE95826000 | CABLE-P-INLET-TWD | 1 | 1/P | TWD |
| 20 | 6LJ60316000 | HRNS-INLET-LVPS-210 | 1 | 1/P | |
| 21 | E0-12842000 | AC-P10CF34 | 1 | 1/P | |
| 24 | X0-02230000 | S/FHEXM-M3X6-NI | 5 | 10/P | |
| | | | | | |
| | | | | | |
| | | | | | |
| | | | | | |
| | | | | | |
| | | | | | |
| | | | | | |
| | | | | | |
| | | | | | |
| | | | | | |



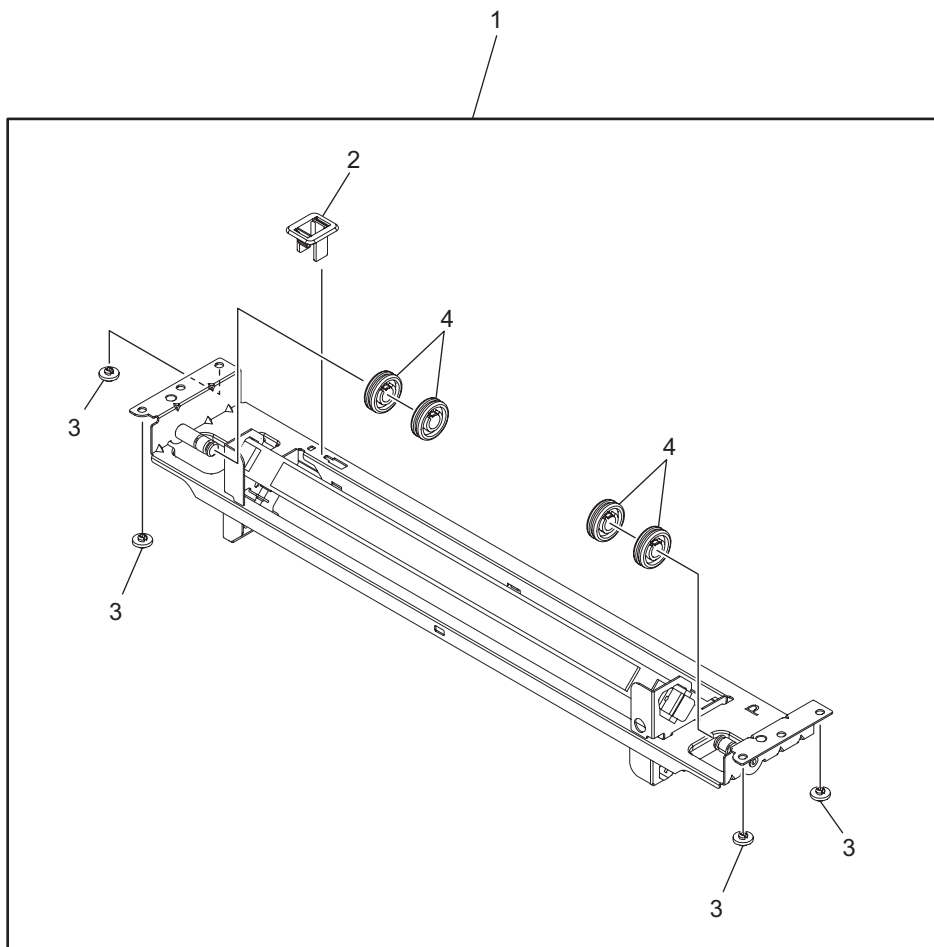
| ITEM No. | PART No. | PART NAME | Q'TY / PAGE | Q'TY / PACK | REMARKS |
|----------|-------------|-----------------------|-------------|-------------|------------------------------|
| 1 | 6LK48745000 | COVER-MODULAR-B | 3 | 1/P | |
| 2 A | 6LK83613100 | ASYB-PWA-SYS-K100CS | 1 | 1/SB | CND |
| 2 B | 6LK83613000 | ASYB-PWA-SYS-K100WS | 1 | 1/SB | NAD,MJD,ASD,AUD,ARD,TWD |
| 3 A | G0-00728000 | MQ01ABF032 | 1 | 1/C | CND |
| 3 B | G0-00732000 | MQ01ABU032W | 1 | 1/C | NAD,MJD,ASD,AUD,ARD,TWD |
| 4 | 6LK44716000 | BRKT-HDD-H370 | 1 | 1/P | |
| 5 | 6LJ53202000 | FAN_D-SYS-6015-H21X | 1 | 1/D | |
| 6 | 6LJ53224000 | DUCT-SYS-FAN-H21X | 1 | 1/P | |
| 7 | X0-02420000 | S/TPS/FHEXM/R-3X8-ZU3 | 12 | 10/P | |
| 8 | X0-02230000 | S/FHEXM-M3X6-NI | 21 | 10/P | |
| 9 | 6LK44874000 | INSULATOR-HDD-BNS-20 | 4 | 1/P | |
| 10 | F0-00045000 | EDS-1 | 1 | 10/P | |
| 11 | 6LH53114000 | SCREW-HDD-CASE_M3 | 4 | 5/P | |
| 12 | 6LK45529000 | HRNS-HDD-H370 | 1 | 1/P | |
| 13 | 6LK44717000 | SPG-F-SYS-H370 | 1 | 1/P | |
| 14 | 6LK56627000 | SCREW-3X3-HDD | 1 | 5/P | |
| 15 | 6LK45548000 | HRNS-HDDFG-H370 | 1 | 1/P | |
| 16 | F0-00036000 | RLWS3TV0 | 2 | 5/P | |
| 17 | F0-01813000 | LWS-1316S-V0 | 9 | 5/P | |
| 18 | F0-00331000 | SPSN-4U | 4 | 5/P | |
| 20 A | F0-00340000 | SPLSN-4U | 4 | 5/P | ASD,AUD,ARD,CND,TWD |
| 21 A | 6LK44769000 | BRKT-DUMPH-SW-H370 | 1 | 1/P | ASD,AUD,ARD,TWD |
| 22 A | E0-11767000 | AJ76101BF | 1 | 1/P | ASD,AUD,ARD,TWD |
| 23 A | F0-01451000 | RFC-16V0 | 1 | 1/P | ASD,AUD,ARD,TWD |
| 24 A | 6LK73067000 | ASYB-PWA-DAMP | 1 | 1/SB | ASD,AUD,ARD,CND,TWD |
| 25 | 6LK44768000 | BRKT-PFU-CNCT-H370 | 1 | 1/P | |
| 26 | 6LK45396000 | HRNS-LGC-ADUPFC-H370 | 1 | 1/P | |
| 27 | F0-01811000 | LWS-0711S-V0 | 1 | 5/P | |
| 28 | 6LK83340000 | HRNS-LGC-SYS1-K100 | 1 | 1/P | |
| 29 | 6LK83342000 | HRNS-LGC-SYS2-K100 | 1 | 1/P | |
| 30 A | 6LK83610000 | ASYB-LGC-K100S | 1 | 1/SB | eS2010AC NAD,ASD,AUD,ARD,CND |
| 30 B | 6LK83610200 | ASYB-LGC-K100BS | 1 | 1/SB | eS2010AC MJD |
| 30 C | 6LK83610100 | ASYB-LGC-K101S | 1 | 1/SB | eS2510AC NAD,ASD,CND,TWD |
| 30 D | 6LK83610300 | ASYB-LGC-K101BS | 1 | 1/SB | eS2510AC MJD |
| 31 | C0-18775000 | BR24T256-W | 1 | 1/C | |
| 32 A | C0-19447000 | M471B5674QH0-YK0 | 1 | 1/C | NAD,MJD,ASD,AUD,ARD,TWD |
| 32 B | C0-22294000 | SMD3L-S4G28KB-16K | 1 | 1/C | CND |
| 33 | 6LK83615000 | IC-F-RAM-SVP | 1 | 1/S | |
| 35 | 6LE90510G00 | LI-BAT-CR-2032 | 1 | 1/S | |
| | | | | | |
| | | | | | |
| | | | | | |
| | | | | | |
| | | | | | |
| | | | | | |



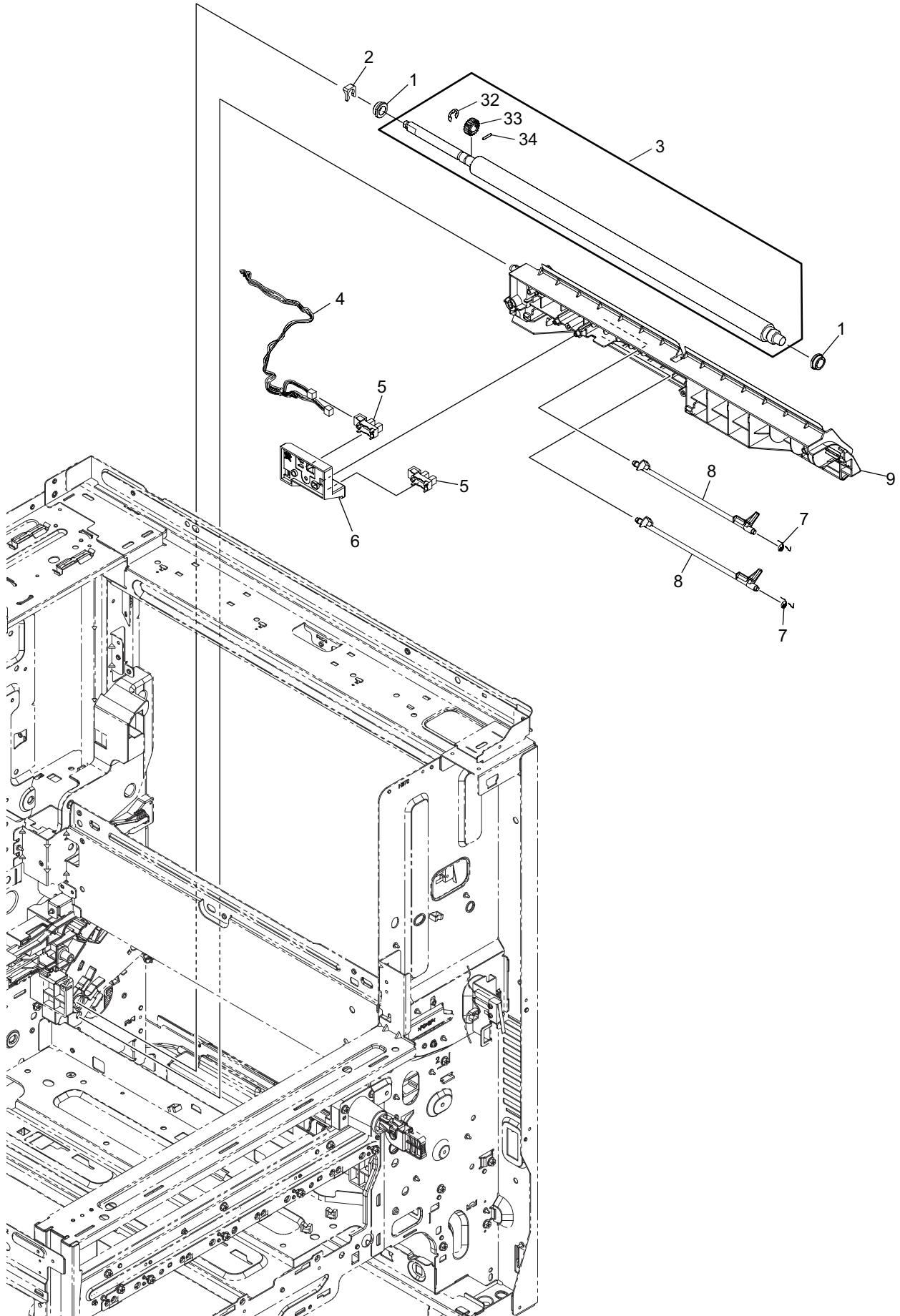
| ITEM No. | PART No. | PART NAME | Q'TY / PAGE | Q'TY / PACK | REMARKS |
|----------|-------------|-----------------------|-------------|-------------|-------------------------|
| 1 | X0-00077000 | S/PAN/SWWP-M3X8-NI | 3 | 10/P | |
| 2 | 6LK83586000 | HRNS-SCN-SYS-K100A | 1 | 1/P | |
| 4 | 6LK53203000 | GUIDE-HRNS-SCAN-H370 | 1 | 1/C | |
| 5 | C0-20495000 | LG2A24BL1 | 1 | 1/C | |
| 7 A | X0-02230000 | S/FHEXM-M3X6-NI | 2 | 10/P | NAD,MJD |
| 7 B | X0-02230000 | S/FHEXM-M3X6-NI | 3 | 10/P | ASD,AUD,ARD,CND,TWD |
| 8 | 6LK53320000 | BRKT-APS-H370 | 1 | 1/P | |
| 9 | 6LK53304200 | LENS-K1XX | 1 | 1/S | |
| 12 A | 6LE63995000 | SNSR-PS-181EL1-S42 | 1 | 1/C | MJD,ASD,AUD,ARD,CND,TWD |
| 12 B | 6LE63995000 | SNSR-PS-181EL1-S42 | 2 | 1/C | NAD |
| 13 | 6LJ60440000 | HRNS-SCN-MOT-210 | 1 | 1/P | |
| 14 A | 6LJ61098000 | HRNS-SCN-SNSR-212 | 1 | 1/P | NAD |
| 15 A | 6LJ61116000 | HRNS-SCN-SNSR-A-212 | 1 | 1/P | MJD,ASD,AUD,ARD,CND,TWD |
| 17 A | 6LK53317100 | ASYS-D_H-SCAN-H370-E | 1 | 1/D | ASD,AUD,ARD |
| 17 B | 6LK53317200 | ASYS-D_H-SCAN-H370-U | 1 | 1/D | TWD |
| 19 | 6LJ52385000 | BRKT-CNT-SCAN-R-H21X | 1 | 1/P | |
| 20 | X0-02231000 | S/FHEXM-M3X8-NI | 1 | 10/P | |
| 21 | X0-02420000 | S/TPS/FHEXM/R-3X8-ZU3 | 1 | 10/P | |
| 23 | 6LJ59840000 | MYLAR-HP-SNSR-H21Y | 1 | 5/P | |
| 26 | F0-01453000 | RMS-1V0 | 2 | 5/P | NAD |
| | | | | | |
| | | | | | |
| | | | | | |
| | | | | | |
| | | | | | |
| | | | | | |
| | | | | | |
| | | | | | |
| | | | | | |
| | | | | | |
| | | | | | |
| | | | | | |
| | | | | | |
| | | | | | |
| | | | | | |



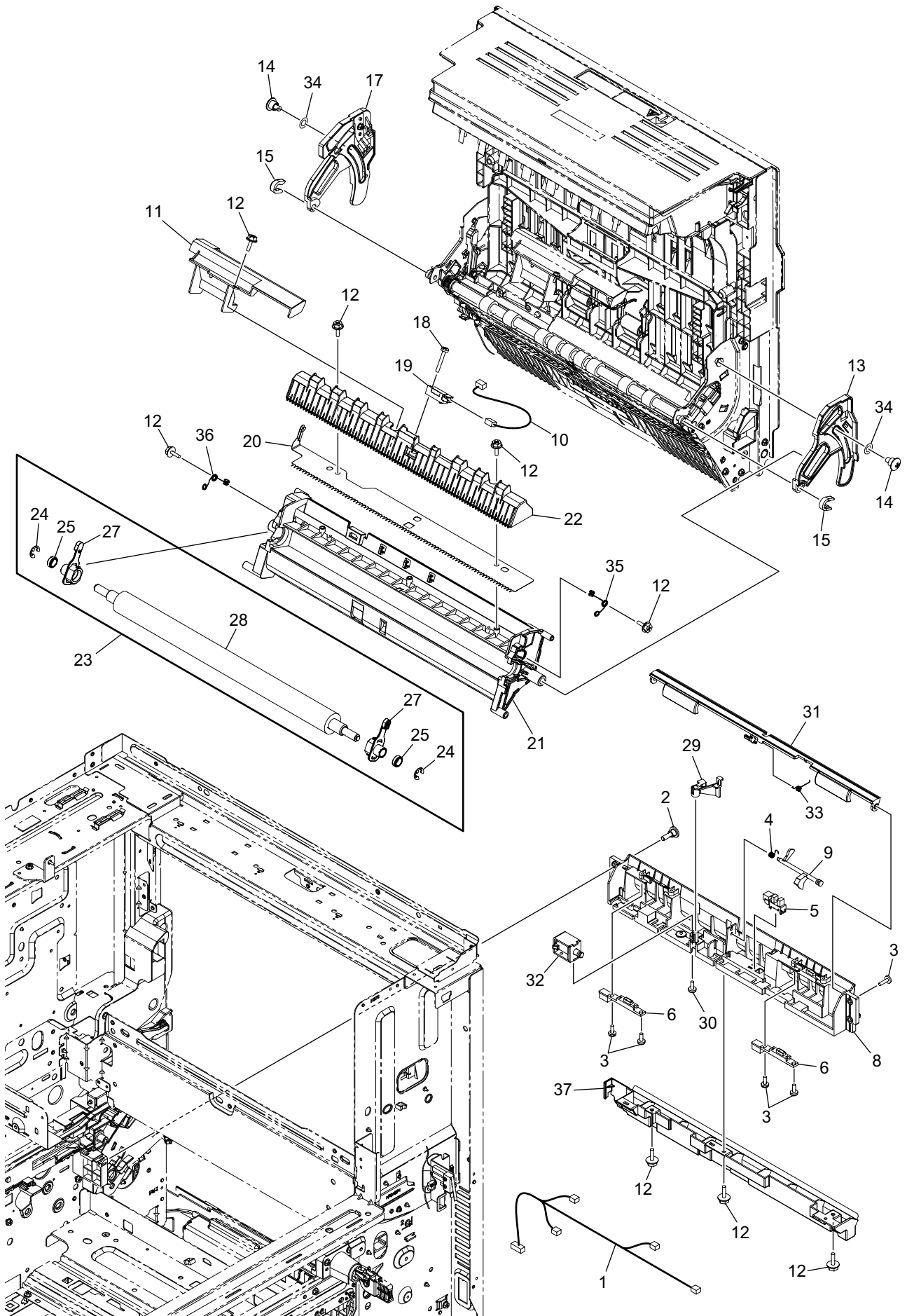
| ITEM No. | PART No. | PART NAME | Q'TY / PAGE | Q'TY / PACK | REMARKS |
|----------|-------------|---------------------|-------------|-------------|---------|
| 1 | 6LK53302200 | CRG1-K100 | 1 | 1/S | |
| 2 | 6LK45425000 | HRNS-SCN-LED-370 | 1 | 1/C | |
| 3 | 6LK45490000 | LAMP-SCN-LED-H37X | 1 | 1/C | |
| 4 | X0-02113000 | S/PAN-M3X4-NI | 1 | 10/P | |
| 5 | 6LJ59748000 | FOOT-CRG-H21X | 4 | 1/P | |
| 6 | 6LK53219000 | HLDR-HRNS-CRG1-H370 | 1 | 1/P | |
| 7 | X0-00077000 | S/PAN/SWWP-M3X8-NI | 2 | 10/P | |
| | | | | | |
| | | | | | |
| | | | | | |
| | | | | | |
| | | | | | |
| | | | | | |
| | | | | | |
| | | | | | |
| | | | | | |
| | | | | | |
| | | | | | |
| | | | | | |
| | | | | | |
| | | | | | |
| | | | | | |
| | | | | | |
| | | | | | |
| | | | | | |
| | | | | | |
| | | | | | |
| | | | | | |
| | | | | | |



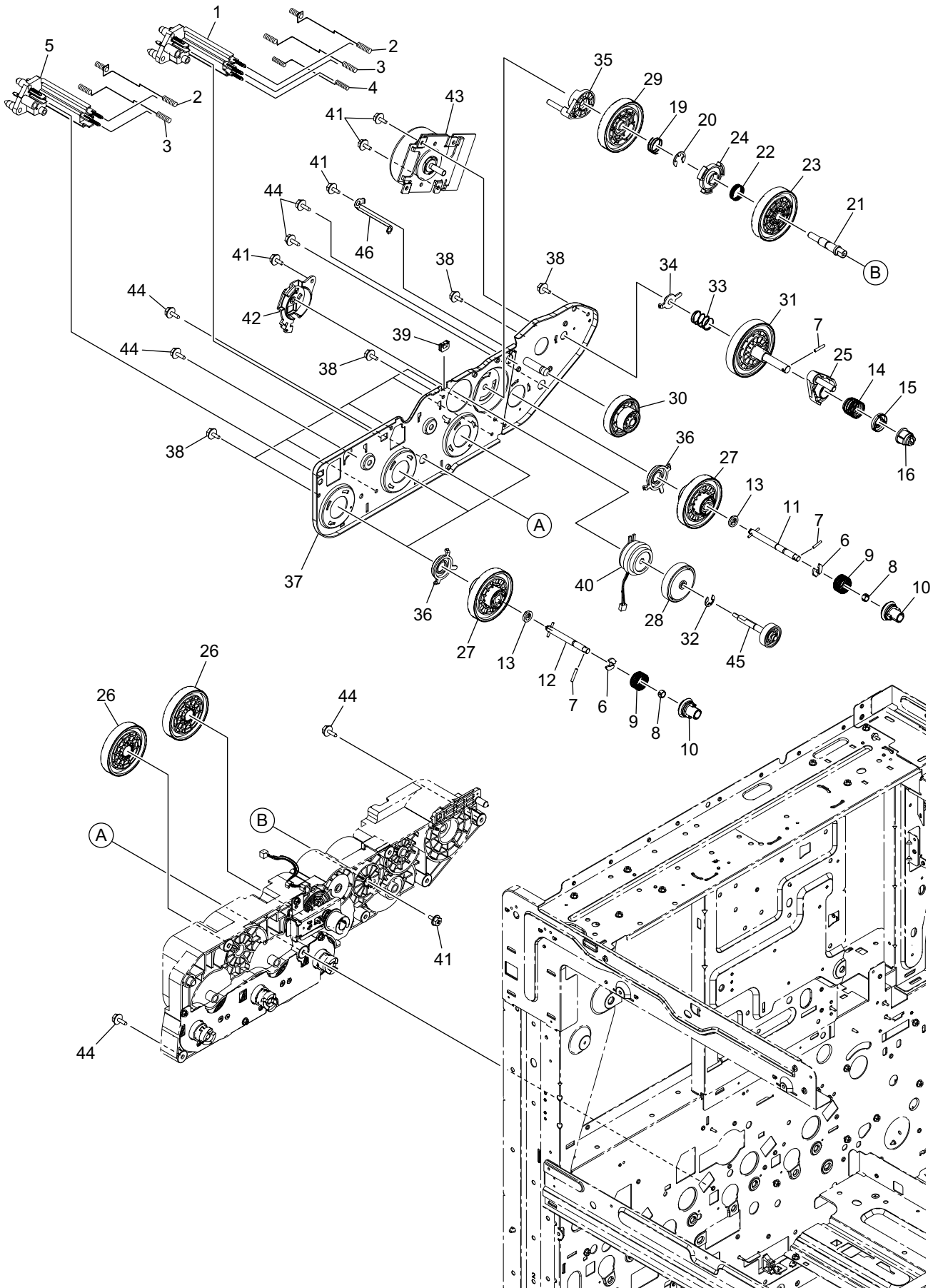
| ITEM No. | PART No. | PART NAME | Q'TY / PAGE | Q'TY / PACK | REMARKS |
|----------|-------------|---------------------|-------------|-------------|---------|
| 1 | 6LK53300000 | CRG2-H373 | 1 | 1/S | |
| 2 | 6LK53214000 | HLDR-HRNS-CRG2-H370 | 1 | 1/P | |
| 3 | 6LJ59748000 | FOOT-CRG-H21X | 4 | 1/P | |
| 4 | 6LJ59707000 | PLY-19-H21X | 4 | 1/P | |
| | | | | | |
| | | | | | |
| | | | | | |
| | | | | | |
| | | | | | |
| | | | | | |
| | | | | | |
| | | | | | |
| | | | | | |
| | | | | | |
| | | | | | |
| | | | | | |
| | | | | | |
| | | | | | |
| | | | | | |



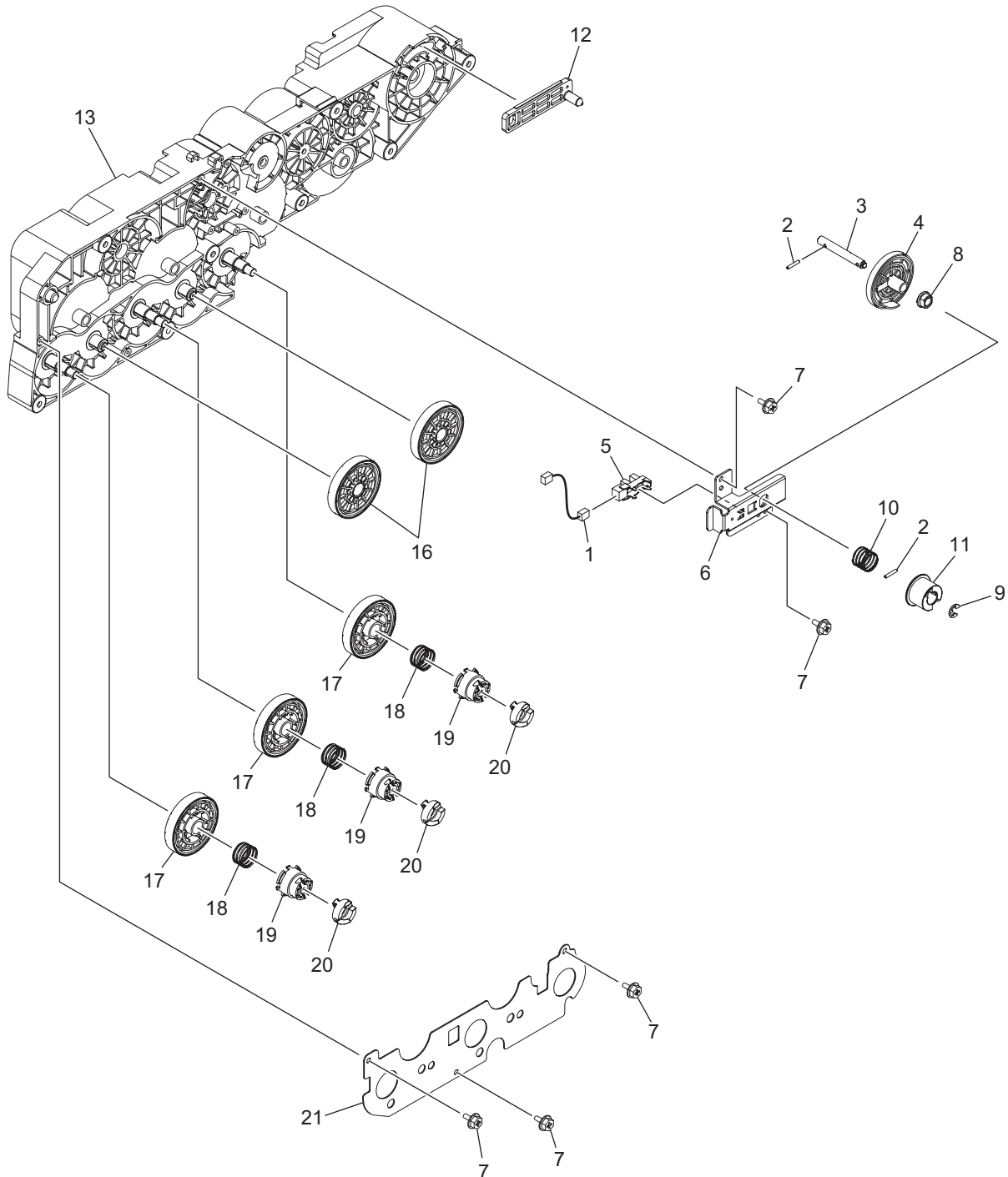
| ITEM No. | PART No. | PART NAME | Q'TY / PAGE | Q'TY / PACK | REMARKS |
|----------|-------------|-------------------------|-------------|-------------|---------|
| 1 | 6LJ56226000 | BUSH-8X12-POM | 2 | 1/P | |
| 2 | 41306265000 | STOP-RING-8 | 1 | 1/P | |
| 3 | 6LK50728000 | ASYB-ROLLER-RGST-L-H370 | 1 | 1/KP | |
| 4 | 6LJ61223000 | HRNS-CFD-SNR-210 | 1 | 1/P | |
| 5 | C0-17839000 | LG2A14BL1 | 2 | 1/C | |
| 6 | 6LJ56205100 | HOLDER-SNSR-RGST-21X_LS | 1 | 1/P | |
| 7 | 6LJ56206000 | SPG-ACT-FEED-H21X_L | 2 | 1/P | |
| 8 | 6LJ56200000 | ACTR-FEED-H21X_L | 2 | 1/KP | |
| 9 | 6LJ56348100 | ASYS-GUIDE-RGST-L-H370 | 1 | 1/PP | |
| 32 | X0-00968000 | RR/E-7-SS | 1 | 10/P | |
| 33 | 6LJ56290000 | GEAR-8S19-8 | 1 | 1/P | |
| 34 | X0-01526000 | P/PRL/AH7-2X12-SS | 1 | 10/P | |
| | | | | | |
| | | | | | |
| | | | | | |
| | | | | | |
| | | | | | |
| | | | | | |
| | | | | | |
| | | | | | |
| | | | | | |
| | | | | | |
| | | | | | |
| | | | | | |
| | | | | | |
| | | | | | |
| | | | | | |
| | | | | | |
| | | | | | |
| | | | | | |
| | | | | | |
| | | | | | |
| | | | | | |



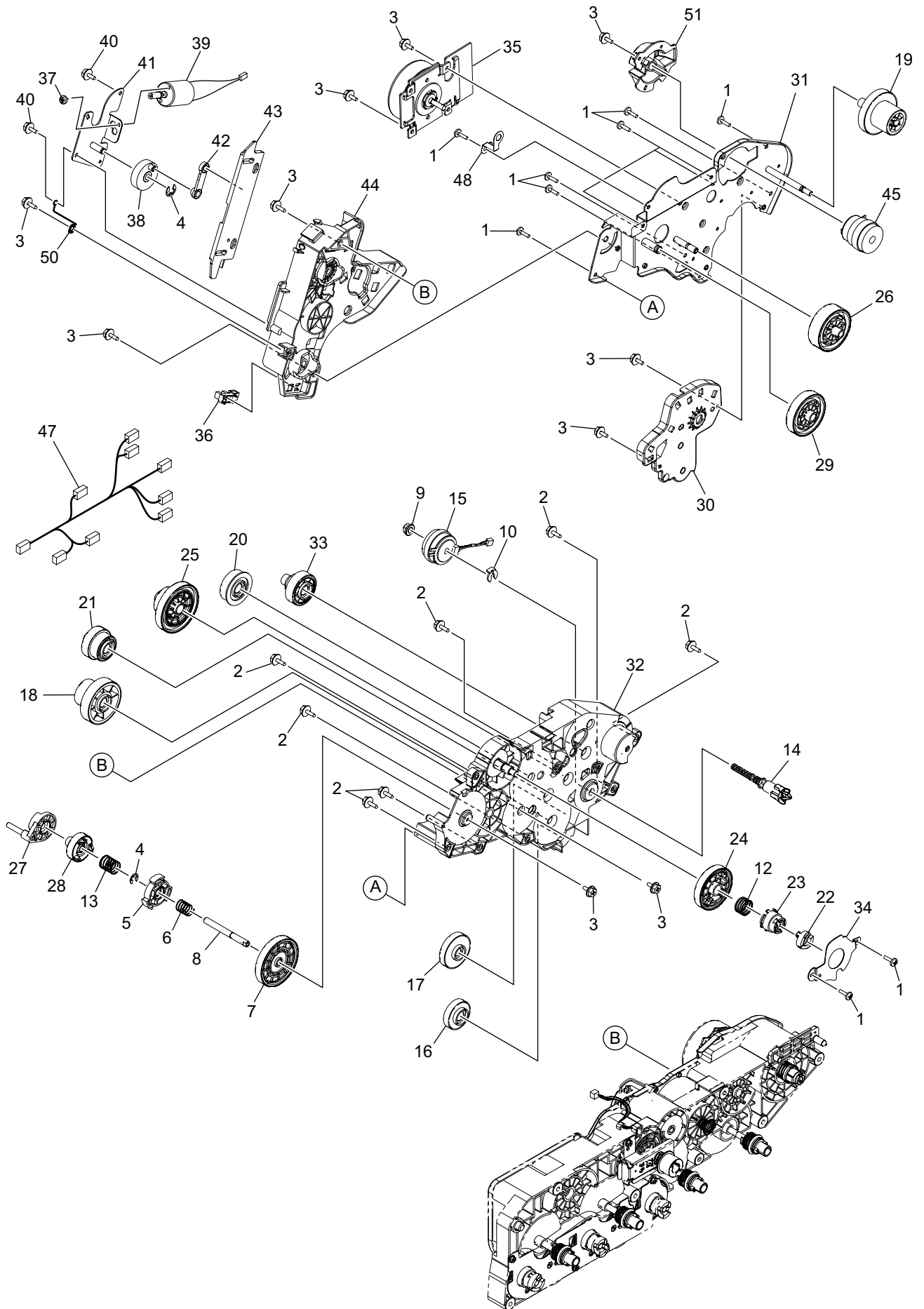
| ITEM No. | PART No. | PART NAME | Q'TY / PAGE | Q'TY / PACK | REMARKS |
|----------|-------------|---------------------------|-------------|-------------|---------|
| 1 | 6LK46039000 | HRNS-PSNR-H370 | 1 | 1/P | |
| 2 | 6LH05511000 | SCREW-M3X8-3.2-P | 1 | 5/P | |
| 3 | 6LA80090000 | S/TPP/BID-3X8-NI | 5 | 5/P | |
| 4 | 6LJ55926000 | SPG-T-ACTR-IMG-POS | 1 | 1/P | |
| 5 | C0-17839000 | LG2A14BL1 | 1 | 1/C | |
| 6 | 6LK46377000 | SNSR-POS-CTD-H370 | 2 | 1/D | |
| 8 | 6LJ55970000 | ASYS-CASE-GUIDE-IMG-POS | 1 | 1/PP | |
| 9 | 6LK50603000 | ACTR-GUIDE-IMG-POS-H370 | 1 | 1/P | |
| 10 | 6LK45474000 | HRNS-TRU-H370 | 1 | 1/P | |
| 11 | 6LJ55937100 | COVER-HRNS-TRU_S | 1 | 1/PP | |
| 12 | X0-02247000 | S/TPP/FHEXM-3X8-NI | 8 | 10/P | |
| 13 | 6LK50613000 | HLDR-TRU-F_S | 1 | 1/P | |
| 14 | 6LA37669000 | SCREW-LOCK-ARM | 2 | 5/P | |
| 15 | 4407972860 | STOP-RING-6-5 | 2 | 5/P | |
| 17 | 6LK50615000 | ASYB-HLDR-TRU-R | 1 | 1/P | |
| 18 | X0-02127000 | S/TPP/PAN-3X16-NI | 1 | 10/P | |
| 19 | C0-15007000 | PS119ED1 | 1 | 1/C | |
| 20 | 6LJ55912000 | PLT-EARTH-TRU-H21X | 1 | 1/C | |
| 21 | 6LK50628000 | CASE-TRU-K100 | 1 | 1/PP | |
| 22 | 6LJ55915100 | GUIDE-TRU-H21X_S | 1 | 1/PP | |
| 23 | 6LK50609000 | ASYB-ROL-TR2-H370 | 1 | 1/C | |
| 24 | X0-00965000 | RR/E-4-SS | 2 | 10/P | |
| 25 | 6LJ55913000 | RING-TRU-ROL | 2 | 1/P | |
| 27 | 6LK50600000 | ASYS-BUSH-TRU-H373 | 2 | 1/P | |
| 28 | 6LJ70397000 | CR-FC30TR2 | 1 | 1/S | |
| 29 | 6LJ55922000 | LINK-SHUT-IMG-POS | 1 | 1/P | |
| 30 | X0-00428000 | S/BID-M3X5-NI | 1 | 10/P | |
| 31 | 6LJ55972100 | SHUT-IMG-POS_S | 1 | 1/C | |
| 32 | 6LJ55959000 | SOL-06A-IMG-POS-2 | 1 | 1/C | |
| 33 | 6LJ55925000 | SPG-T-SHUT-IMG-POS | 1 | 1/P | |
| 34 | 6LA06340000 | WAS-06-95-Z13-P | 2 | 10/P | |
| 35 | 6LK50605000 | SPG-GND-TRU-F-H370 | 1 | 1/P | |
| 36 | 6LK50606000 | SPG-GND-TRU-R-H370 | 1 | 1/P | |
| 37 | 6LK50619000 | ASYS-HLDR-PAPER-DUST-H370 | 1 | 1/PP | |
| | | | | | |
| | | | | | |
| | | | | | |
| | | | | | |
| | | | | | |
| | | | | | |
| | | | | | |
| | | | | | |
| | | | | | |



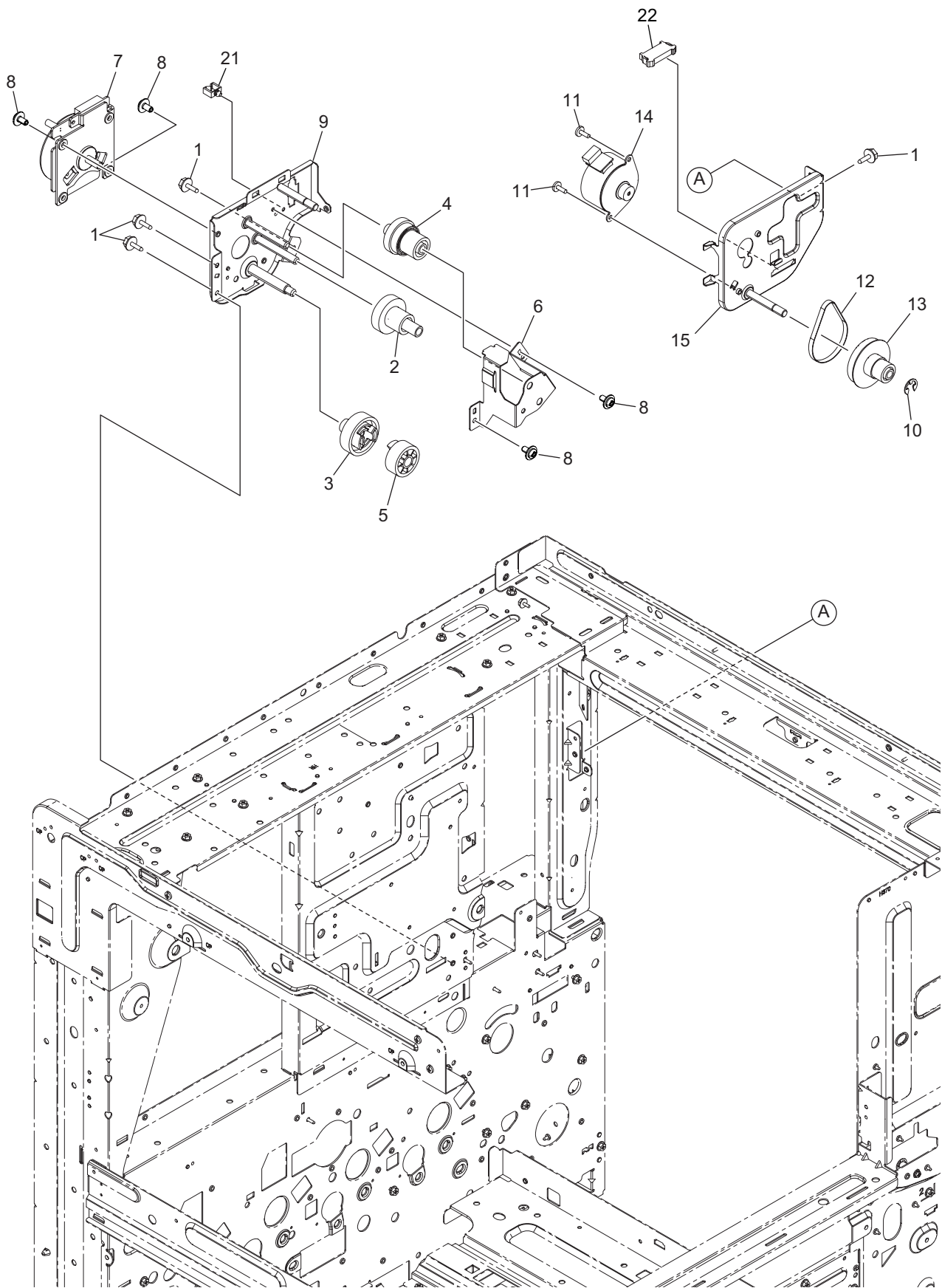
| ITEM No. | PART No. | PART NAME | Q'TY / PAGE | Q'TY / PACK | REMARKS |
|----------|-------------|-------------------------|-------------|-------------|---------|
| 1 | 6LK50405000 | RAIL-WIRE-HV-TBU | 1 | 1/C | |
| 2 | 6LJ55462000 | SPG-HVT-MK-H21X | 2 | 1/P | |
| 3 | 6LJ55463000 | SPG-HVT-YC-H21X | 2 | 1/P | |
| 4 | 6LJ55464000 | SPG-HVT-TR2-H21X | 1 | 1/P | |
| 5 | 6LK50404000 | RAIL-WIRE-HV-TBU-YM | 1 | 1/C | |
| 6 | 44201801000 | STOP-RING-6-1.5 | 4 | 5/P | |
| 7 | X0-01526000 | P/PRL/AH7-2X12-SS | 5 | 10/P | |
| 8 | 6LJ55133000 | CAP-SHAFT-DRUM | 4 | 1/P | |
| 9 | 6LJ55198000 | SPG-C-DRIVE-DRUM | 4 | 1/P | |
| 10 | 6LJ55152000 | COUPLE-DRUM-DRIVE | 4 | 1/P | |
| 11 | 6LJ55241000 | ASYS-SHAFT-DRV-DRUM-K | 1 | 1/P | |
| 12 | 6LJ55242000 | ASYS-SHAFT-DRV-DRUM-YMC | 3 | 1/P | |
| 13 | 6LJ55175000 | CAP-SHAFT-DRUM-R | 4 | 1/P | |
| 14 | 6LJ55253000 | SPG-C-DRIVE-TBU | 1 | 1/P | |
| 15 | 6LJ55141000 | RING-DRIVE-TBU | 1 | 1/P | |
| 16 | 6LJ55244000 | COUPLE-DRIVE-TBU | 1 | 1/P | |
| 19 | 6LJ55165000 | SPG-C-DRUM-R | 1 | 1/P | |
| 20 | X0-00968000 | RR/E-7-SS | 1 | 10/P | |
| 21 | 6LJ55169000 | SHAFT-RELAY-DRV-DRUM | 1 | 1/P | |
| 22 | 6LJ55166000 | SPG-C-DRUM-F | 1 | 1/P | |
| 23 | 6LJ55102100 | GEAR-04H132-C_W | 1 | 1/P | |
| 24 | 6LK77001000 | COUPLE-IDLE-DRUM-DRIVE | 1 | 1/P | |
| 25 | 6LJ55138100 | CAM-DRV-TBU_W | 1 | 1/P | |
| 26 | 6LJ55120100 | GEAR-04H132-IDLE_W | 2 | 1/P | |
| 27 | 6LJ55110100 | GEAR-04H132-DRUM_W | 4 | 1/P | |
| 28 | 6LJ55104100 | GEAR-04H95-10S28W | 1 | 1/P | |
| 29 | 6LJ55103000 | GEAR-04H132-K | 1 | 1/P | |
| 30 | 6LJ55107100 | GEAR-5H80-4H56_W | 1 | 1/P | |
| 31 | 6LJ55181100 | ASYB-GEAR-DRV-TBU-H370 | 1 | 1/P | |
| 32 | X0-00966000 | RR/E-5-SS | 1 | 10/P | |
| 33 | 6LJ55162000 | SPG-C-DRV-TBU-R | 1 | 1/P | |
| 34 | 6LJ55159100 | BUSH-DRUM-DRIVE-TBU_W | 1 | 1/P | |
| 35 | 6LJ55121000 | CRANK-PUSH | 1 | 1/P | |
| 36 | 6LJ55212000 | BUSH-DRUM-DRIVE-H21Y | 4 | 1/P | |
| 37 | 6LK50222000 | ASYS-BRKT-DRV-DRUM-H21X | 1 | 1/PP | |
| 38 | X0-02246000 | S/TPP/FHEXM-3X6-NI | 8 | 10/P | |
| 39 | F0-02296000 | ES-0505-2 | 1 | 5/P | |
| 40 | 6LH53742000 | CLUTCH-50R-G28-6 | 1 | 1/D | |
| 41 | X0-02230000 | S/FHEXM-M3X6-NI | 5 | 10/P | |
| 42 | 6LK50202000 | COVER-CLUCH-G28-H370 | 1 | 1/P | |
| 43 | 6LK52212000 | MOTR_D-DRIVE-05R20-22 | 1 | 1/C | |
| 44 | X0-02420000 | S/TPS/FHEXM/R-3X8-ZU3 | 6 | 10/P | |
| 45 | 6LK50213000 | ASYB-SHAFT-DRV-TR1-H370 | 1 | 1/P | |
| 46 | 6LJ55192000 | SPG-F-GND-DRIVE-DRUM | 1 | 1/P | |
| | | | | | |
| | | | | | |
| | | | | | |
| | | | | | |
| | | | | | |



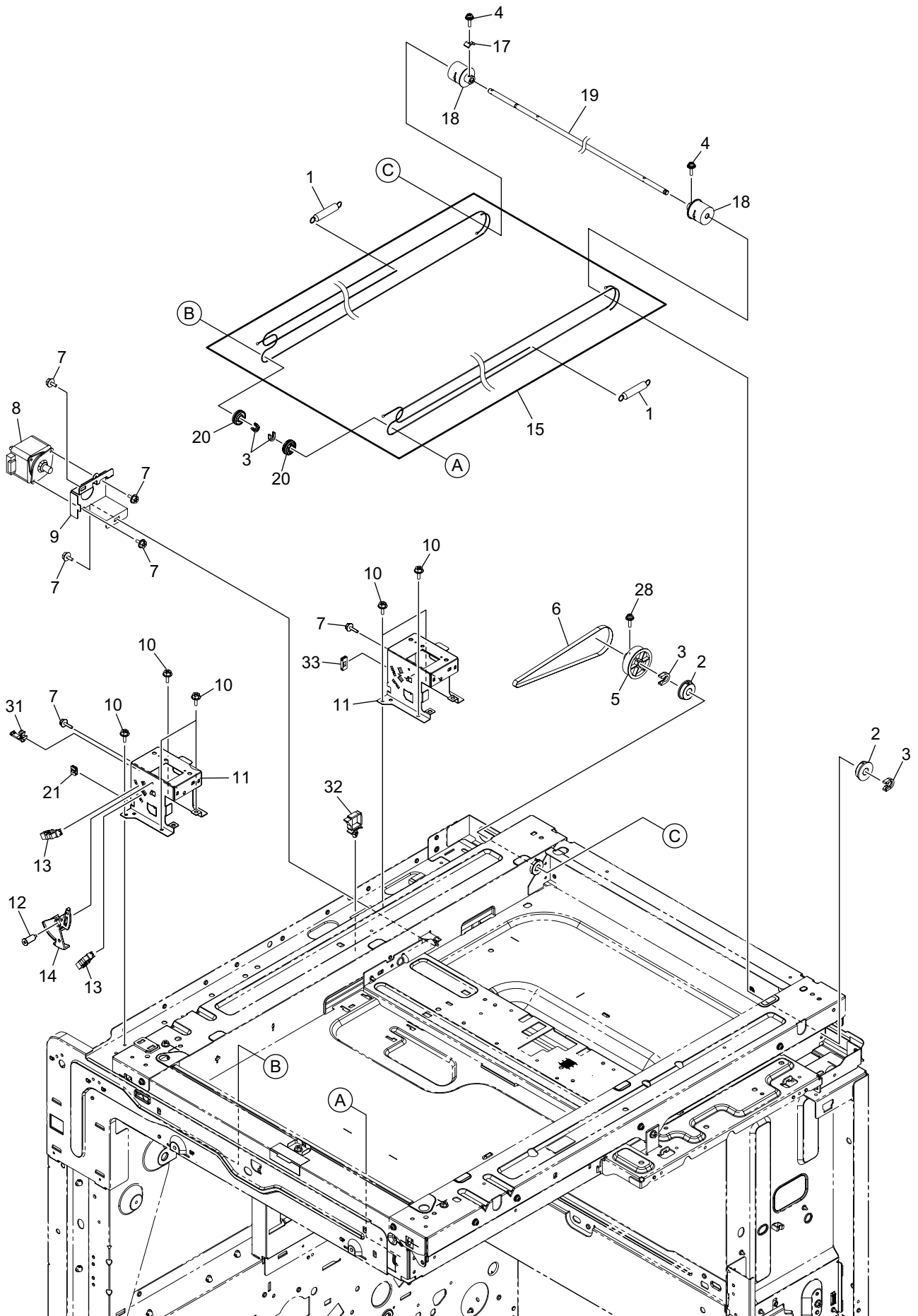
| ITEM No. | PART No. | PART NAME | Q'TY / PAGE | Q'TY / PACK | REMARKS |
|----------|-------------|-------------------------|-------------|-------------|---------|
| 1 | 6LK45392000 | HRNS-TR1POS-H370 | 1 | 1/P | |
| 2 | X0-01526000 | P/PRL/AH7-2X12-SS | 2 | 10/P | |
| 3 | 6LJ55132000 | SHAFT-DRV-TR1-TBU-2 | 1 | 1/P | |
| 4 | 6LJ55101000 | GEAR-10S41-COUPLE-TBU | 1 | 1/P | |
| 5 | C0-20495000 | LG2A24BL1 | 1 | 1/C | |
| 6 | 6LJ55124000 | BRKT-DRIVE-TR1 | 1 | 1/P | |
| 7 | X0-02246000 | S/TTP/FHEXM-3X6-NI | 5 | 10/P | |
| 8 | 44201492000 | BUSH-6-POM | 1 | 5/P | |
| 9 | X0-00964000 | RR/E-3-SS | 1 | 10/P | |
| 10 | 6LJ55197000 | SPG-C-TR1-TBU | 1 | 1/P | |
| 11 | 6LJ55154000 | COUPLE-SW-TBU-TR1 | 1 | 1/P | |
| 12 | 6LJ55160100 | LVR-COUPLE-DRV-TBU_S | 1 | 1/P | |
| 13 | 6LK50220000 | FRAME-DRIVE-DRUM-E1 | 1 | 1/PP | |
| 16 | 6LJ55109100 | GEAR-5H85-IDLE_W | 2 | 1/P | |
| 17 | 6LJ55108100 | GEAR-5H85-CPL-DEV_W | 3 | 1/P | |
| 18 | 6LJ55167000 | SPG-C-DEV-DRV-C | 3 | 1/P | |
| 19 | 6LJ55126100 | COUPLE-DEV-DRIVE-R_W | 3 | 1/P | |
| 20 | 6LJ55226000 | COUPLE-DEV-DRIVE-F-H21Y | 3 | 1/P | |
| 21 | 6LJ55129000 | PLATE-DRIVE-DEV | 1 | 1/P | |
| | | | | | |
| | | | | | |
| | | | | | |
| | | | | | |
| | | | | | |
| | | | | | |
| | | | | | |
| | | | | | |
| | | | | | |
| | | | | | |
| | | | | | |
| | | | | | |
| | | | | | |



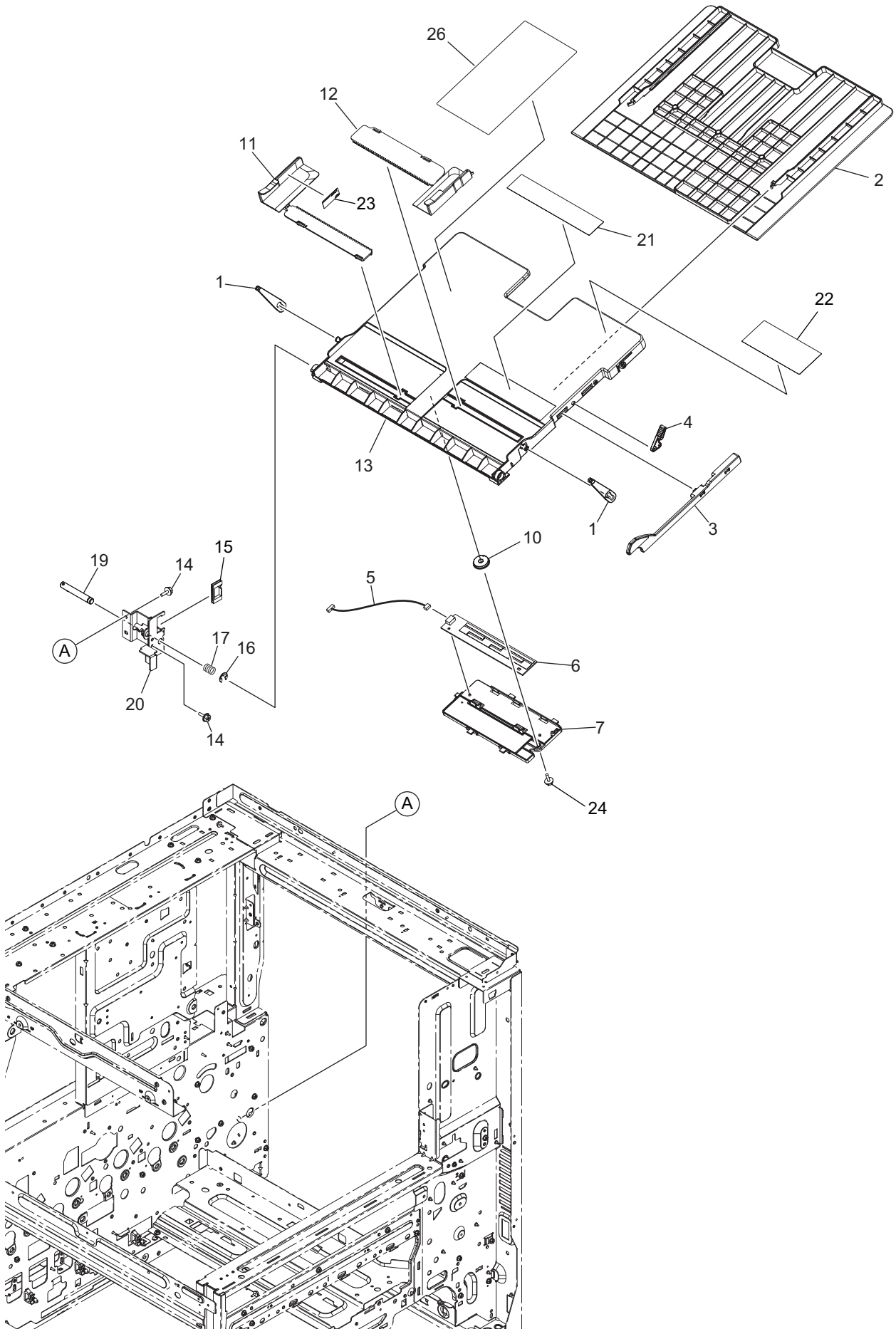
| ITEM No. | PART No. | PART NAME | Q'TY / PAGE | Q'TY / PACK | REMARKS |
|----------|-------------|--------------------------|-------------|-------------|---------|
| 1 | 6LA80090000 | S/TPP/BID-3X8-NI | 11 | 5/P | |
| 2 | X0-02420000 | S/TPS/FHEXM/R-3X8-ZU3 | 7 | 10/P | |
| 3 | X0-02230000 | S/FHEXM-M3X6-NI | 10 | 10/P | |
| 4 | X0-00966000 | RR/E-5-SS | 2 | 10/P | |
| 5 | 6LJ55225100 | COUPLE-IDLE-DEV-DRV-H373 | 1 | 1/P | |
| 6 | 6LJ55153000 | SPG-DRV-CAM-DEV-F | 1 | 1/P | |
| 7 | 6LK50200000 | GEAR-5H98-COUPLE-H370 | 1 | 1/P | |
| 8 | 6LJ55246000 | STUD-DRV-CAM-CRANK | 1 | 1/P | |
| 9 | 44201492000 | BUSH-6-POM | 1 | 5/P | |
| 10 | 44201801000 | STOP-RING-6-1.5 | 1 | 5/P | |
| 12 | 6LJ55167000 | SPG-C-DEV-DRV-C | 1 | 1/P | |
| 13 | 6LJ55172000 | SPG-DRV-CAM-DEV-R | 1 | 1/P | |
| 14 | 6LJ56336000 | COUPL-CST-H21X_L | 1 | 1/P | |
| 15 | 6LH53742000 | CLUTCH-50R-G28-6 | 1 | 1/D | |
| 16 | 6LJ56221000 | GEAR-10S29-10 | 1 | 1/P | |
| 17 | 6LJ56219100 | GEAR-10S35-8_W | 1 | 1/P | |
| 18 | 6LJ56218000 | GEAR-10S26_10H42-10_8 | 1 | 1/P | |
| 19 | 6LJ56220000 | GEAR-10S26_10H42-6 | 1 | 1/P | |
| 20 | 6LJ56216000 | GEAR-10H29-10 | 1 | 1/P | |
| 21 | 6LJ56215000 | GEAR-5H60_10H24-10_8 | 1 | 1/P | |
| 22 | 6LJ55226000 | COUPLE-DEV-DRIVE-F-H21Y | 1 | 1/P | |
| 23 | 6LJ55126100 | COUPLE-DEV-DRIVE-R_W | 1 | 1/P | |
| 24 | 6LJ55108100 | GEAR-5H85-CPL-DEV_W | 1 | 1/P | |
| 25 | 6LJ55111000 | GEAR-5H98-5H52 | 1 | 1/P | |
| 26 | 6LJ55106000 | GEAR-5H85-KDEV-FEED | 1 | 1/P | |
| 27 | 6LJ55121000 | CRANK-PUSH | 1 | 1/P | |
| 28 | 6LK50201000 | GEAR-5H52-CAM-H370 | 1 | 1/P | |
| 29 | 6LJ55105000 | GEAR-5H85-DEV | 1 | 1/P | |
| 30 | 6LJ56367000 | HOLDER-DRV-FED-CL-H21X_L | 1 | 1/P | |
| 31 | 6LJ55143000 | ASYS-FRAME-DRV-KDEV | 1 | 1/P | |
| 32 | 6LJ55252100 | CASE-DRV-KDEV2 | 1 | 1/PP | |
| 33 | 6LJ56217100 | GEAR-10S21_10H30-10_8_W | 1 | 1/P | |
| 34 | 6LJ55148000 | BRKT-DRV-DEV-COUPLE | 1 | 1/P | |
| 35 | 6LJ55249000 | MOTR_D-DRIVE-DEV | 1 | 1/SB | |
| 36 | C0-17839000 | LG2A14BL1 | 1 | 1/C | |
| 37 | X0-02112000 | S/PAN-M3X3-NI | 1 | 10/P | |
| 38 | 6LJ55114000 | GEAR-CRANK | 1 | 1/P | |
| 39 | 6LJ55174000 | MOTR_D-SWITCH-H21X | 1 | 1/D | |
| 40 | X0-02247000 | S/TPP/FHEXM-3X8-NI | 2 | 10/P | |
| 41 | 6LJ55116000 | ASYS-BRKT-CLANK | 1 | 1/P | |
| 42 | 6LJ55122000 | RELAY-CRANK | 1 | 1/P | |
| 43 | 6LJ55123100 | PLATE-CRANK_S | 1 | 1/P | |
| 44 | 6LJ55115200 | BASE-CRANK_2 | 1 | 1/PP | |
| 45 | 6LH51414000 | CLUTCH-50C-G28-8 | 1 | 1/D | |
| 47 | 6LK83548000 | HRNS-LGC-DEV-K100 | 1 | 1/P | |
| 48 | 6LJ55193000 | SPG-F-GND-DRIVE-DEV | 1 | 1/P | |
| 50 | 6LJ55248000 | COIL-GND-RELAY-DRV | 1 | 1/P | |
| 51 | 6LK50721000 | COVER-RGST-CLT-H21X_EL | 1 | 1/P | |
| | | | | | |
| | | | | | |
| | | | | | |



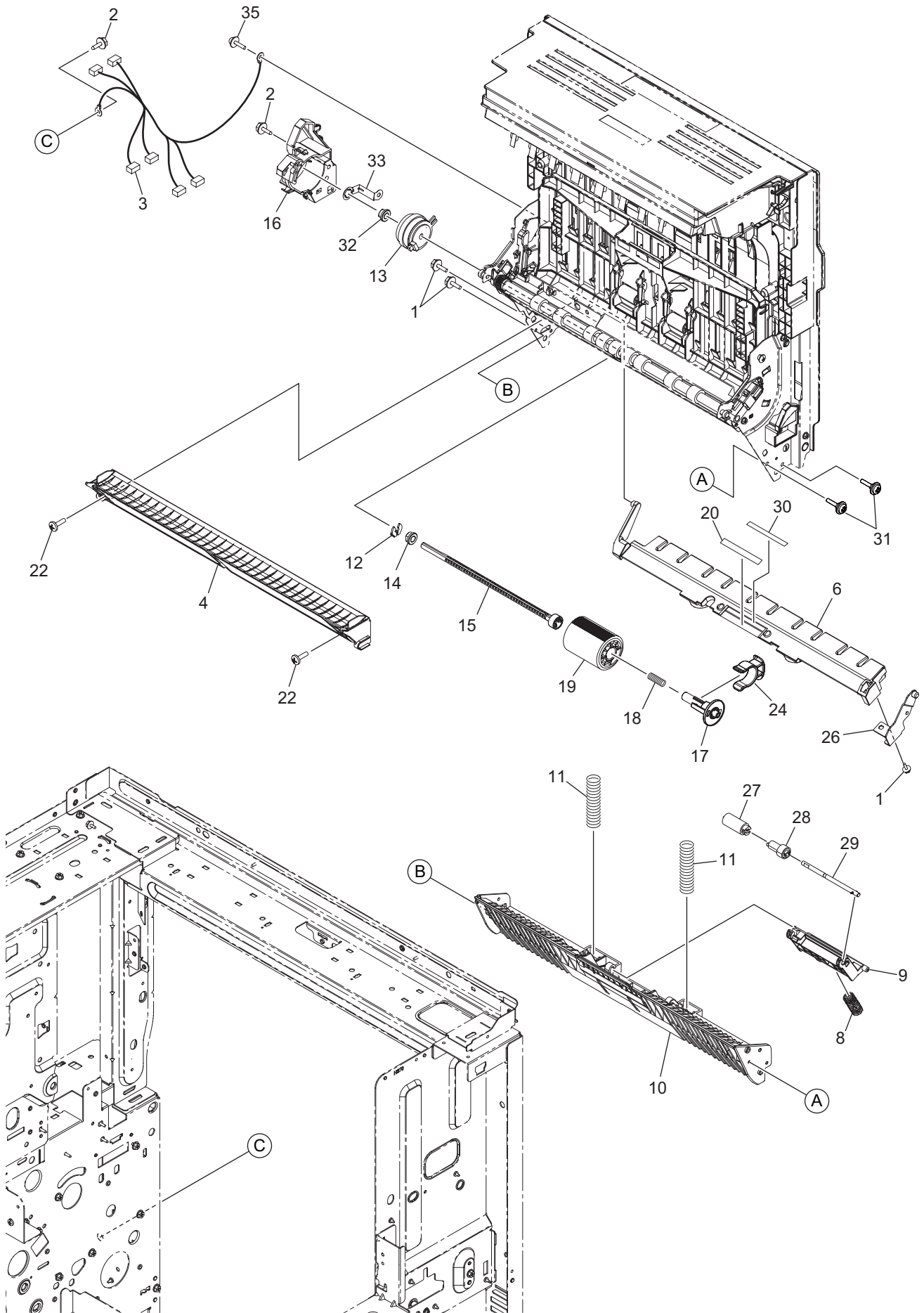
| ITEM No. | PART No. | PART NAME | Q'TY / PAGE | Q'TY / PACK | REMARKS |
|----------|-------------|--------------------------|-------------|-------------|-------------------------|
| 1 | X0-02420000 | S/TPS/FHEXM/R-3X8-ZU3 | 4 | 10/P | |
| 2 | 6LJ59201000 | GEAR-5H57-8H20-6 | 1 | 1/P | |
| 3 | 6LJ59204000 | GEAR-8H39-8 | 1 | 1/P | |
| 4 | 6LJ59213000 | GEAR-8H34-10S19-6 | 1 | 1/P | |
| 5 | 6LK52001000 | GEAR-10H25-FUS-IN-H370 | 1 | 1/P | |
| 6 | 6LK52010000 | BRKT-DRV-FUS-F-H370 | 1 | 1/P | |
| 7 | 6LJ59218000 | MOTR_D-FUS-H21X | 1 | 1/SB | |
| 8 | 6LK52042000 | S/FPAN/R-M3X6-ZU3 | 4 | 5/P | |
| 9 A | 6LK52008000 | ASYS-BRKT-DRV-FUS-H370 | 1 | 1/D | NAD,ASD,AUD,ARD,CND,TWD |
| 9 B | 6LK52008100 | ASYS-BRKT-DRV-FUS-K10XBA | 1 | 1/P | MJD |
| 10 | X0-00965000 | RR/E-4-SS | 1 | 10/P | |
| 11 | X0-02069000 | S/TPS/BID-3X6-ZU3 | 2 | 10/P | |
| 12 | 6LJ58949000 | BLT_SY-S2M-144-4 | 1 | 1/P | |
| 13 | 6LJ57807000 | GEAR-10S16_PS2M60-6 | 1 | 1/P | |
| 14 | 6LJ57816000 | MOTR_S-EXIT-L-H21X | 1 | 1/D | |
| 15 | 6LK52006000 | ASYS-BRKT-MOTR-EXIT-H370 | 1 | 1/D | |
| 21 | F0-01250000 | MSB-1207 | 1 | 5/P | |
| 22 | E0-10450000 | BU13P-TZ-S (LF)(SN) | 1 | 5/P | |
| | | | | | |
| | | | | | |
| | | | | | |
| | | | | | |
| | | | | | |
| | | | | | |
| | | | | | |
| | | | | | |
| | | | | | |
| | | | | | |
| | | | | | |
| | | | | | |
| | | | | | |



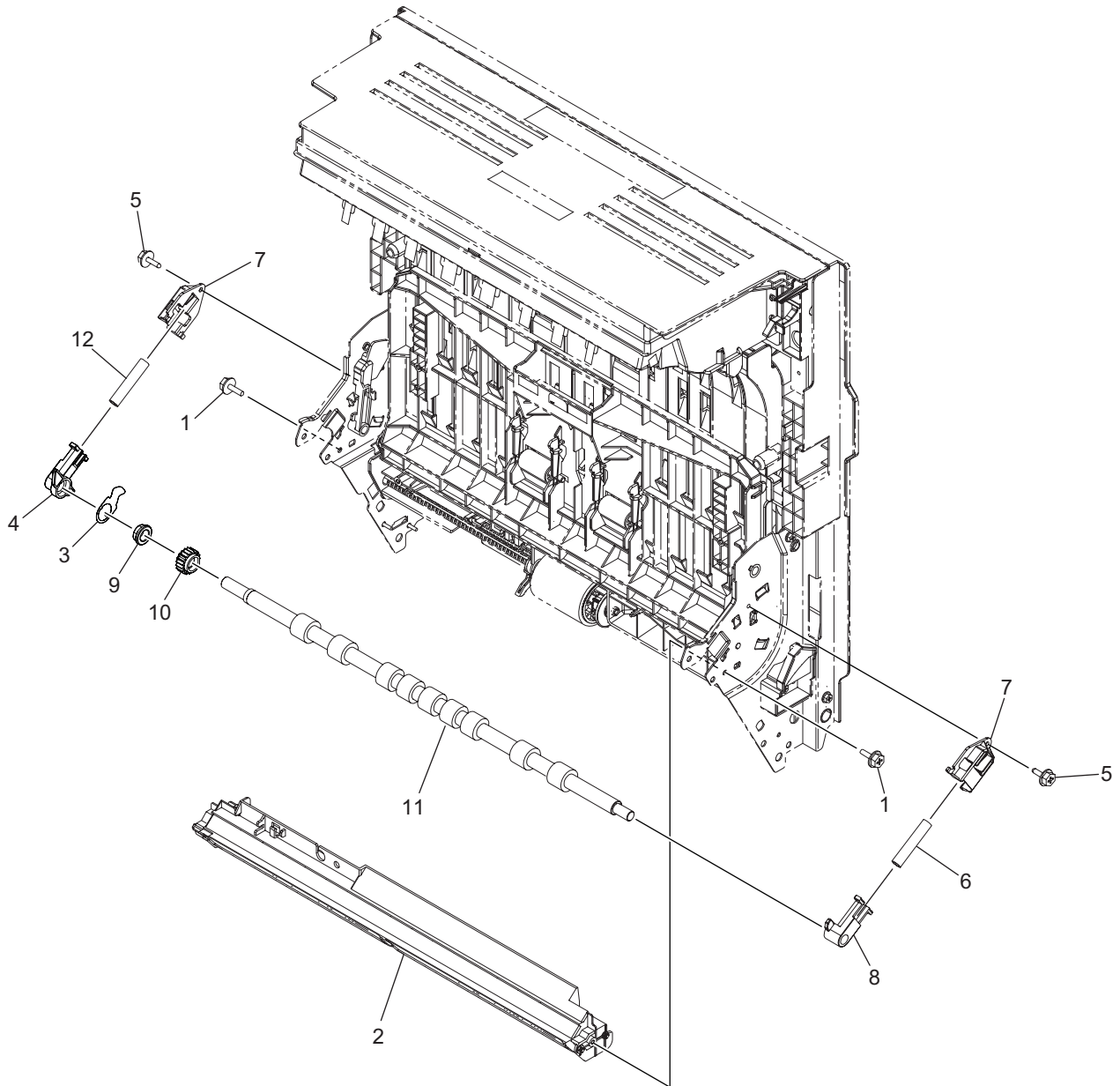
| ITEM No. | PART No. | PART NAME | Q'TY / PAGE | Q'TY / PACK | REMARKS |
|----------|-------------|-----------------------|-------------|-------------|-------------------------|
| 1 | 6LJ15115000 | SPE-WIRE-TNS-H16X-SUS | 2 | 1/P | |
| 2 | 6LJ59746000 | BUSH-061505 | 2 | 1/P | |
| 3 | 4407972860 | STOP-RING-6-5 | 4 | 5/P | |
| 4 | X0-00094000 | S/PAN/SWWP-M3X10-NI | 2 | 10/P | |
| 5 | 6LK53291000 | PULLEY-SCAN-H21X | 1 | 1/P | |
| 6 | 6LJ59906000 | BLT_SY-S1.5M-378-6 | 1 | 1/P | |
| 7 | X0-02230000 | S/FHEXM-M3X6-NI | 6 | 10/P | |
| 8 | 6LK46174000 | MOTR_S-SCN-37X-N | 1 | 1/D | |
| 9 | 6LK53269000 | BRKT-MOT-SCAN-H370 | 1 | 1/P | |
| 10 | X0-02420000 | S/TPS/FHEXM/R-3X8-ZU3 | 7 | 10/P | |
| 11 | 6LK53332000 | ASYS-BRKT-DF-K100 | 2 | 1/C | |
| 12 | 6LK53327000 | SCREW-PLATEN-LVR-H373 | 1 | 1/P | |
| 13 | C0-20495000 | LG2A24BL1 | 2 | 1/C | |
| 14 | 6LK53326000 | LVR-OPEN-SNS-H373 | 1 | 1/P | |
| 15 A | 6LK53308000 | WIRE-SCN-KIT-H373 | 1 | 1/S | NAD,MJD,ASD,AUD,ARD,TWD |
| 15 B | 6LJ59941000 | WIRE-SCN-KIT-H373C | 1 | 1/S | CND |
| 17 | 6LJ59727000 | HOLD-PLY-SCR | 1 | 1/P | |
| 18 | 6LK53309000 | PLY-WIRE-SCAN-H21X | 2 | 1/P | |
| 19 | 6LJ59728000 | SHAFT-DRV-SCAN-H21X | 1 | 1/P | |
| 20 | 6LE46342000 | PLY-19-410 | 2 | 1/P | |
| 21 | F0-02296000 | ES-0505-2 | 1 | 5/P | |
| 28 | X0-00077000 | S/PAN/SWWP-M3X8-NI | 1 | 10/P | |
| 31 | F0-02293000 | BLBWS-0206S-V0 | 1 | 5/P | |
| 32 | F0-01243000 | LWS-1211Z | 1 | 5/P | |
| 33 | F0-01684000 | EDS-0704L-V0 | 1 | 10/P | |
| | | | | | |
| | | | | | |
| | | | | | |
| | | | | | |
| | | | | | |
| | | | | | |
| | | | | | |
| | | | | | |
| | | | | | |
| | | | | | |
| | | | | | |
| | | | | | |
| | | | | | |
| | | | | | |
| | | | | | |
| | | | | | |
| | | | | | |
| | | | | | |
| | | | | | |



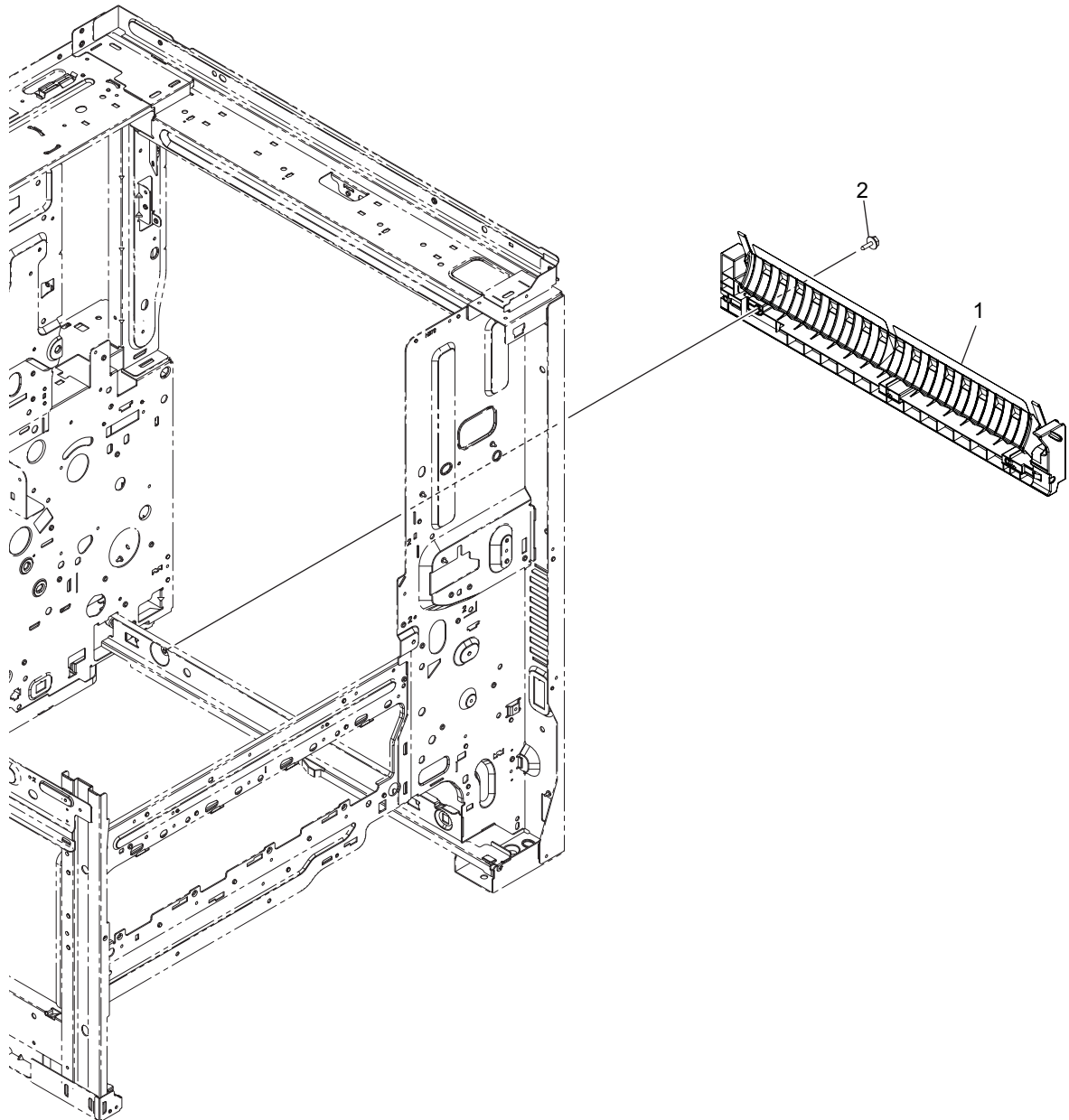
| ITEM No. | PART No. | PART NAME | Q'TY / PAGE | Q'TY / PACK | REMARKS |
|----------|-------------|---------------------------|-------------|-------------|-------------------------|
| 1 | 6LK51401000 | ARM-SFB-H373 | 2 | 1/P | |
| 2 | 6LJ57001200 | TRAY-LWR-SFB-H370 | 1 | 1/PP | |
| 3 | 6LK51413000 | LINK-TRAY-SFB-H373 | 1 | 1/P | |
| 4 | 6LJ57004000 | LEVER-TRAY-SFB-H21X-L | 1 | 1/P | |
| 5 | 6LJ60213000 | HRNS-SFB-SIZE-210 | 1 | 1/P | |
| 6 | 6LK46376000 | PWA-H-SFB-370 | 1 | 1/SB | |
| 7 | 6LJ57010200 | HOLDER-PWA-SFB-H370 | 1 | 1/PP | |
| 10 | 4407726480 | PINION-18-395 | 1 | 1/P | |
| 11 | 6LJ57012200 | GUIDE-TRAY-SFB-R-H370 | 1 | 1/PP | |
| 12 | 6LK51418000 | ASYS-GUIDE-SFB-F-H370 | 1 | 1/PP | |
| 13 | 6LJ57136200 | TRAY-UPR-SFB-H370 | 1 | 1/PP | |
| 14 | X0-02593000 | S/TPD3/FHEXM-3X8-ZU3 | 2 | 10/P | |
| 15 | 6LK44840000 | EDS-1710L-V0-BK | 1 | 5/P | |
| 16 | X0-00968000 | RR/E-7-SS | 1 | 10/P | |
| 17 | 6LK51609000 | SPG-C-HINGE-COV-SIDE-H37X | 1 | 1/P | |
| 19 | 6LK51610000 | ASYS-STUD-HINGE-ADU-H37X | 1 | 1/P | |
| 20 | 6LJ57307100 | BRKT-HINGE-ADU-R_B | 1 | 1/P | |
| 21 A | 6LK51432000 | LBL-TRAY-U-H370 | 1 | 1/P | NAD |
| 21 B | 6LK51434000 | LBL-TRAY-E-H370 | 1 | 1/P | MJD,ASD,AUD,ARD |
| 21 C | 6LK51435000 | LBL-TRAY-C-H370 | 1 | 1/P | CND,TWD |
| 22 | 6LK51427000 | LBL_O-GUIDE-SFB-H370 | 1 | 1/KP | |
| 23 | 6LJ57073000 | LBL-HIGH-TRAY-H21X | 1 | 1/P | |
| 24 | X0-02247000 | S/TPP/FHEXM-3X8-NI | 1 | 10/P | |
| 26 A | 6LK52036000 | LBL-O-GUIDE-ENVLP-C-H370 | 1 | 1/KP | CND |
| 26 B | 6LK52035000 | LBL-O-GUIDE-ENVLP-H370 | 1 | 1/KP | NAD,MJD,ASD,AUD,ARD,TWD |
| | | | | | |
| | | | | | |
| | | | | | |
| | | | | | |
| | | | | | |
| | | | | | |
| | | | | | |
| | | | | | |
| | | | | | |



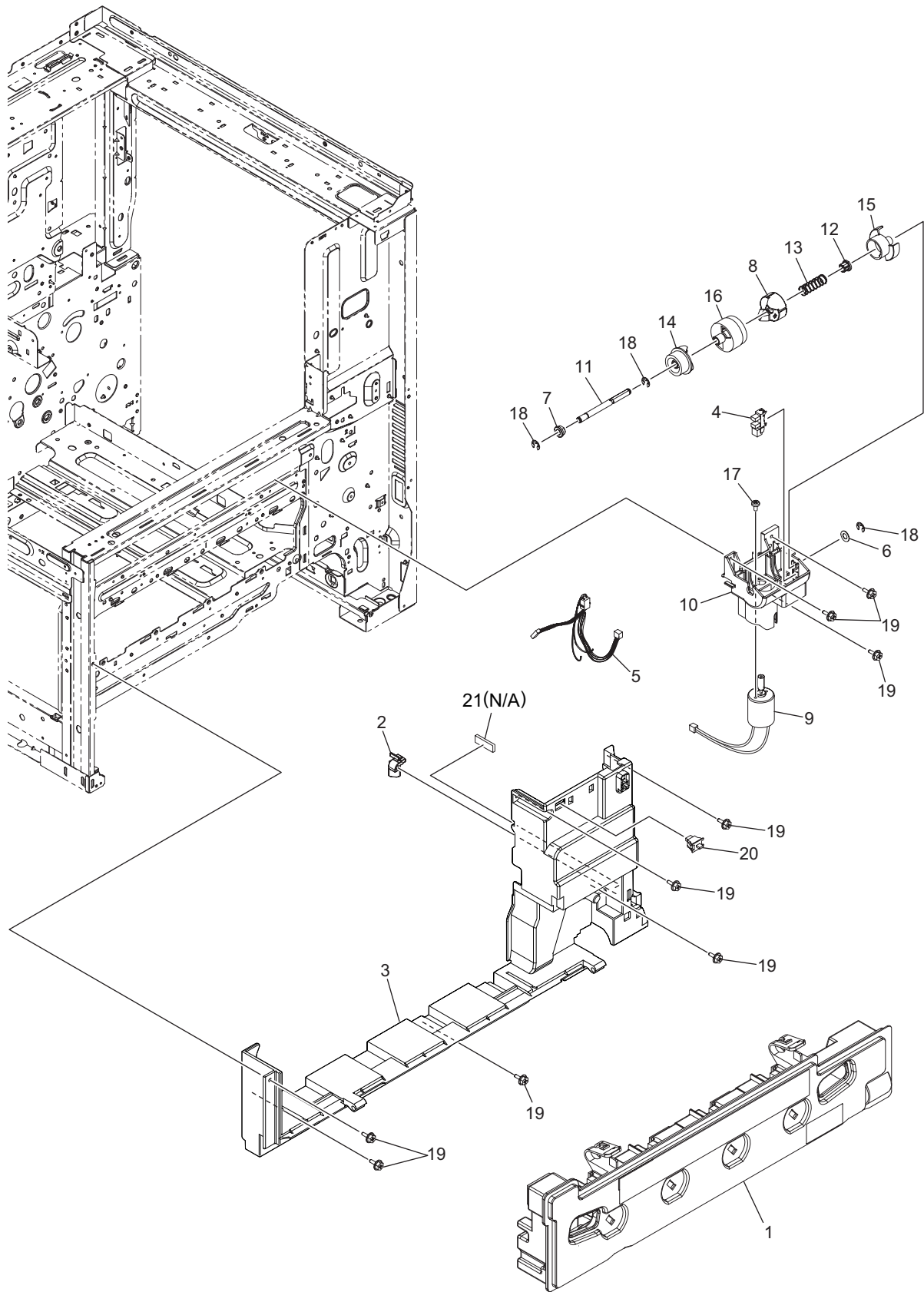
| ITEM No. | PART No. | PART NAME | Q'TY / PAGE | Q'TY / PACK | REMARKS |
|----------|-------------|---------------------------|-------------|-------------|---------|
| 1 | X0-02247000 | S/TPP/FHEXM-3X8-NI | 3 | 10/P | |
| 2 | X0-02420000 | S/TPS/FHEXM/R-3X8-ZU3 | 2 | 10/P | |
| 3 | 6LJ60702000 | HRNS-SFBTRU-210 | 1 | 1/P | |
| 4 | 6LK50708000 | ASYS-GID-FEED-RU-H370 | 1 | 1/PP | |
| 6 | 6LK51426000 | ASYS-TRAY-FEED-SFB-H373 | 1 | 1/PP | |
| 8 | 6LK51421000 | SPC-SPT-SFB-H373 | 1 | 1/P | |
| 9 | 6LK51423200 | ASYS-HLDR-SFB-H373N | 1 | 1/P | |
| 10 | 6LK51400000 | GUIDE-FEED-SFB-H373 | 1 | 1/PP | |
| 11 | 6LK51420000 | SPC-TRAY-SFB-H373 | 2 | 1/P | |
| 12 | 44201801000 | STOP-RING-6-1.5 | 1 | 5/P | |
| 13 | 6LH51224000 | CLUTCH-50C-G28-6 | 1 | 1/D | |
| 14 | 44201492000 | BUSH-6-POM | 1 | 5/P | |
| 15 | 6LJ57091000 | SHAFT-ROL-SFB-H21Y | 1 | 1/P | |
| 16 | 6LJ57115100 | HOLDER-DRIVE-SFB-H21X-L_S | 1 | 1/D | |
| 17 | 6LJ57007000 | COLAR-ROLL-SFB-H21X | 1 | 1/P | |
| 18 | 6LJ57018000 | SPC-ROL-SFB-H21X | 1 | 1/P | |
| 19 | 6LJ57026000 | ASYS-ROL-SFB-H21X | 1 | 1/P | |
| 20 | 6LK51449000 | SHEET-PLATE-SLIP-G-DOWN | 1 | 5/P | |
| 22 | 6LA80090000 | S/TPP/BID-3X8-NI | 2 | 5/P | |
| 24 | 6LJ57127100 | STOPPER-ROL-SFB-H390 | 1 | 1/P | |
| 26 | 6LK51409000 | ASYS-BRKT-TRAY-SFB-H373 | 1 | 1/P | |
| 27 | 6LK51438000 | ASYS-ROL-SPT-SFB-H373 | 1 | 1/P | |
| 28 | 6LK51408000 | TL-SPT-SFB-ORG-H373 | 1 | 1/D | |
| 29 | 6LK51417000 | ASYS-SHAFT-SPT-SFB-H373 | 1 | 1/P | |
| 30 | 6LK51448000 | SHEET-PLATE-SLIP-G-UP | 1 | 5/P | |
| 31 | 6LK51446000 | SCREW-M3-D4X2 | 2 | 5/P | |
| 32 | 6LJ55543000 | BUSH-6-BCF-050 | 1 | 1/P | |
| 33 | 6LJ57114000 | SPG-F-SFB-EARTH-H21Y | 1 | 1/C | |
| 35 | X0-02040000 | S/TPP/FPAN-3X10-NI | 1 | 10/P | |
| | | | | | |
| | | | | | |
| | | | | | |
| | | | | | |
| | | | | | |
| | | | | | |
| | | | | | |
| | | | | | |
| | | | | | |
| | | | | | |



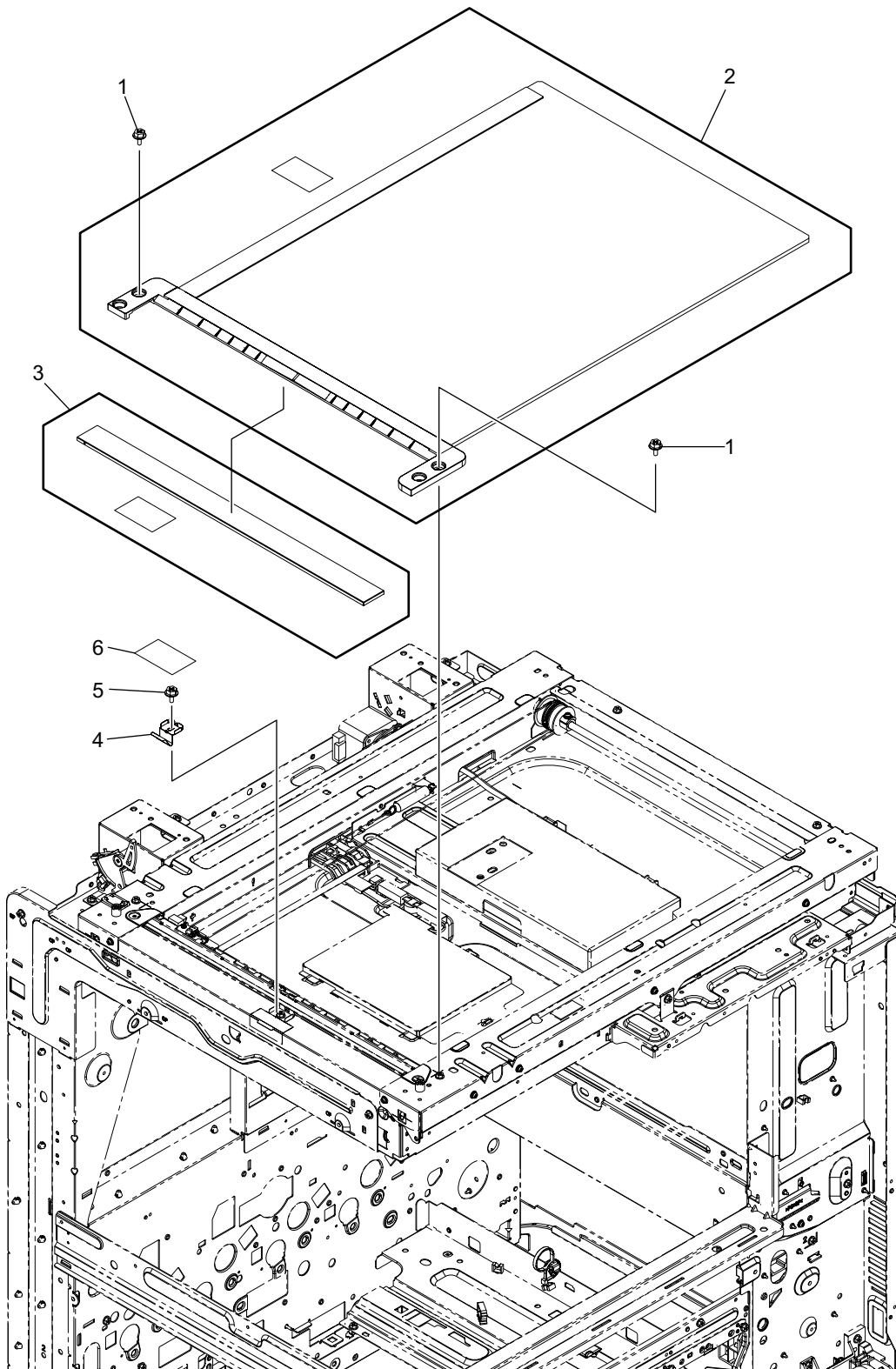
| ITEM No. | PART No. | PART NAME | Q'TY / PAGE | Q'TY / PACK | REMARKS |
|----------|-------------|------------------------|-------------|-------------|---------|
| 1 | X0-02247000 | S/TPP/FHEXM-3X8-NI | 2 | 10/P | |
| 2 | 6LK50725000 | ASYS-GUIDE-RGST-R-H370 | 1 | 1/C | |
| 3 | 6LJ56234000 | SPG-F-RGST-R-H21X_L | 1 | 1/P | |
| 4 | 6LJ56230000 | BUSH-ROL-RGST-R-H21X | 1 | 1/P | |
| 5 | X0-02420000 | S/TPS/FHEXM/R-3X8-ZU3 | 2 | 10/P | |
| 6 | 6LJ56293000 | SPG-C-RGST-F-H21X | 1 | 1/P | |
| 7 | 6LJ56228000 | HOLDER-RGST-SPE-H21X | 2 | 1/P | |
| 8 | 6LJ56229000 | BUSH-ROL-RGST-F-H21X | 1 | 1/P | |
| 9 | 6LJ55544000 | BUSH-8X12X5R5F-BCF-050 | 1 | 1/P | |
| 10 | 6LJ56291000 | GEAR-8S19-8_D10 | 1 | 1/P | |
| 11 | 6LJ56353000 | ROLLER-RGST-R-H21X_L | 1 | 1/KP | |
| 12 | 6LJ56294000 | SPG-C-RGST-R-H21X | 1 | 1/P | |
| | | | | | |
| | | | | | |
| | | | | | |
| | | | | | |
| | | | | | |
| | | | | | |
| | | | | | |
| | | | | | |
| | | | | | |
| | | | | | |
| | | | | | |
| | | | | | |
| | | | | | |
| | | | | | |
| | | | | | |
| | | | | | |
| | | | | | |
| | | | | | |
| | | | | | |
| | | | | | |
| | | | | | |
| | | | | | |
| | | | | | |
| | | | | | |



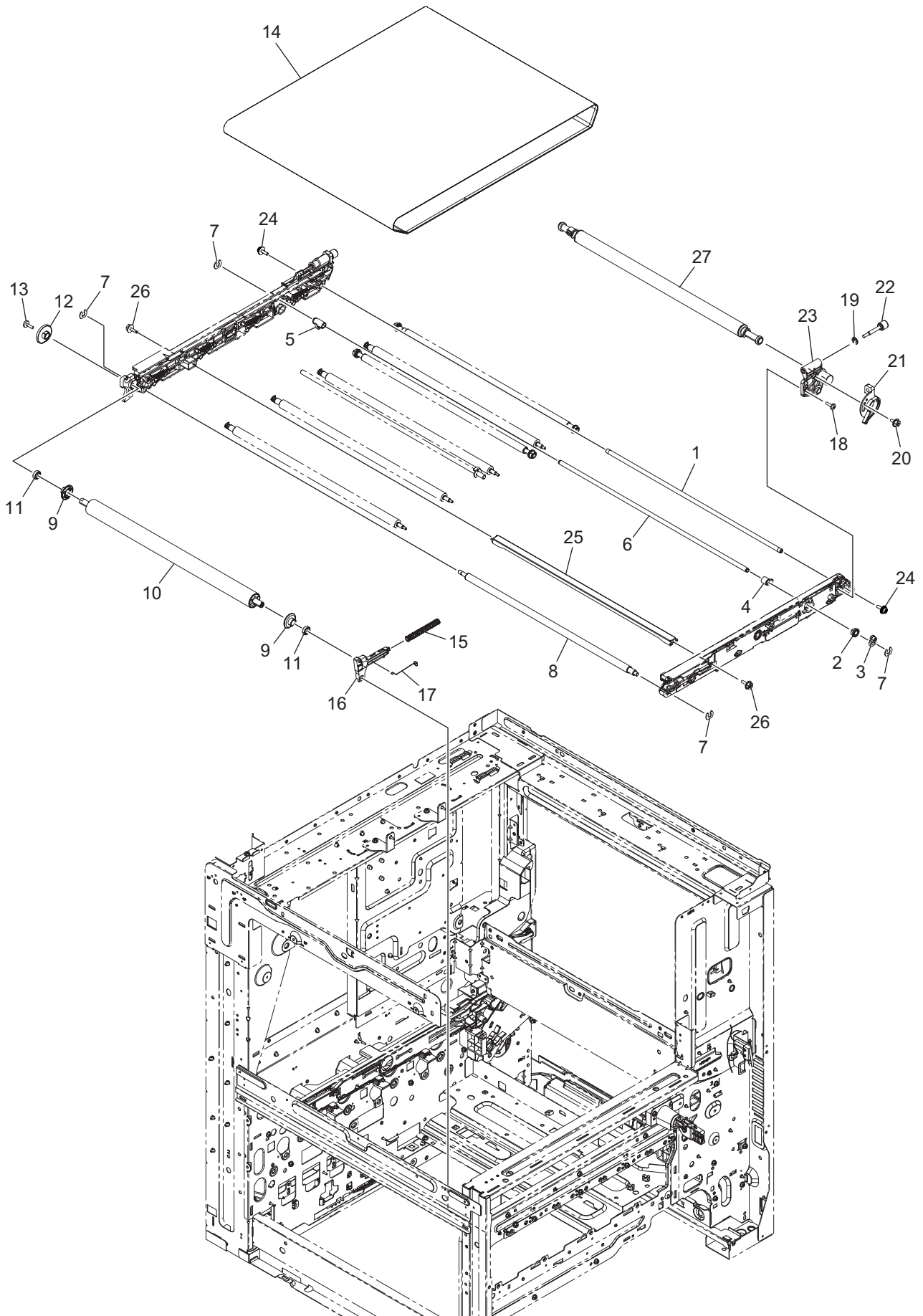
| ITEM No. | PART No. | PART NAME | Q'TY / PAGE | Q'TY / PACK | REMARKS |
|----------|----------------------------|---|-------------|-------------|---------|
| 1 2 | 6LJ56207100 X0-02420000 | ASYB-GUIDE-FEED-L-H370 S/TPS/FHEXM/R-3X8-ZU3 | 1 1 | 1/C 10/P | |
| | | | | | |
| | | | | | |
| | | | | | |
| | | | | | |
| | | | | | |
| | | | | | |
| | | | | | |
| | | | | | |
| | | | | | |
| | | | | | |
| | | | | | |
| | | | | | |
| | | | | | |
| | | | | | |
| | | | | | |



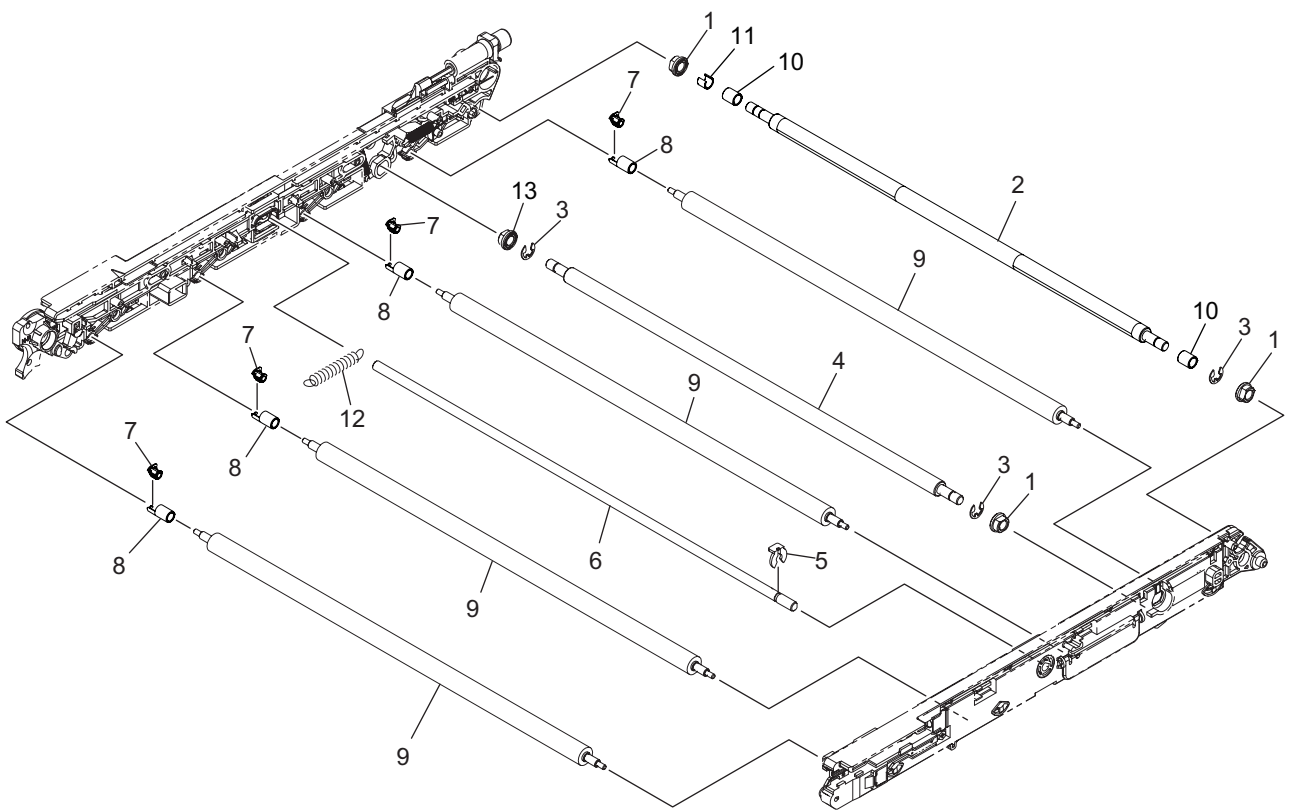
| ITEM No. | PART No. | PART NAME | Q'TY / PAGE | Q'TY / PACK | REMARKS |
|----------|-------------|--------------------------|-------------|-------------|---------------------|
| 1 A | 6AG00004477 | PS-TBFC30 | 1 | SUPPLY | NAD,ASD,AUD,ARD,TWD |
| 1 B | 6AG00004479 | PS-TBFC30E | 1 | SUPPLY | MJD |
| 1 C | 6AG00004478 | PS-TBFC30C | 1 | SUPPLY | CND |
| 2 | 6LJ54670000 | LEVER-WTNR-FRONT-H21X | 1 | 1/P | |
| 3 | 6LJ53775100 | COVER-INNR-WTNR-K10X | 1 | 1/PP | |
| 4 | C0-17839000 | LG2A14BL1 | 1 | 1/C | |
| 5 | 6LJ60319000 | HRNS-UTNR-210 | 1 | 1/P | |
| 6 | 6LE28372000 | WSHR-6R2X12XR5-APS | 1 | 5/P | |
| 7 | 44201492000 | BUSH-6-POM | 1 | 5/P | |
| 8 | 6LJ54683000 | COUPL-DRV-WTNR | 1 | 1/P | |
| 9 | 6LK49492000 | MOTRD-PDL-WTNR-H370 | 1 | 1/C | |
| 10 | 6LK49446000 | HLDR-DRV-WTNR | 1 | 1/P | |
| 11 | 6LJ54640000 | SHAFT-DRV-WTNR | 1 | 1/P | |
| 12 | 6LJ54636000 | COLAR-DRV-WTNR | 1 | 1/P | |
| 13 | 6LJ54649000 | SPG-C-10R7XR6X30R3R-WTNR | 1 | 1/P | |
| 14 | 6LJ54637000 | GEAR-15S16-6-COUPL-WTNR | 1 | 1/P | |
| 15 | 6LJ54638000 | SLIT-DRV-WTNR | 1 | 1/P | |
| 16 | 6LJ54639000 | GEAR-5H66-6-DRV-WTNR | 1 | 1/P | |
| 17 | X0-01670000 | S/PAN-M2.6X4-NC | 1 | 10/P | |
| 18 | X0-00966000 | RR/E-5-SS | 3 | 10/P | |
| 19 | X0-02420000 | S/TPS/FHEXM/R-3X8-ZU3 | 9 | 10/P | |
| 20 | E0-01853000 | CS1A-B2CA | 1 | 1/D | |
| 21 | 6LH05525000 | CUSHION-LEV-ADU | 1 | N/A*** | |
| | | | | | |
| | | | | | |
| | | | | | |
| | | | | | |
| | | | | | |
| | | | | | |
| | | | | | |
| | | | | | |
| | | | | | |
| | | | | | |
| | | | | | |
| | | | | | |
| | | | | | |
| | | | | | |
| | | | | | |



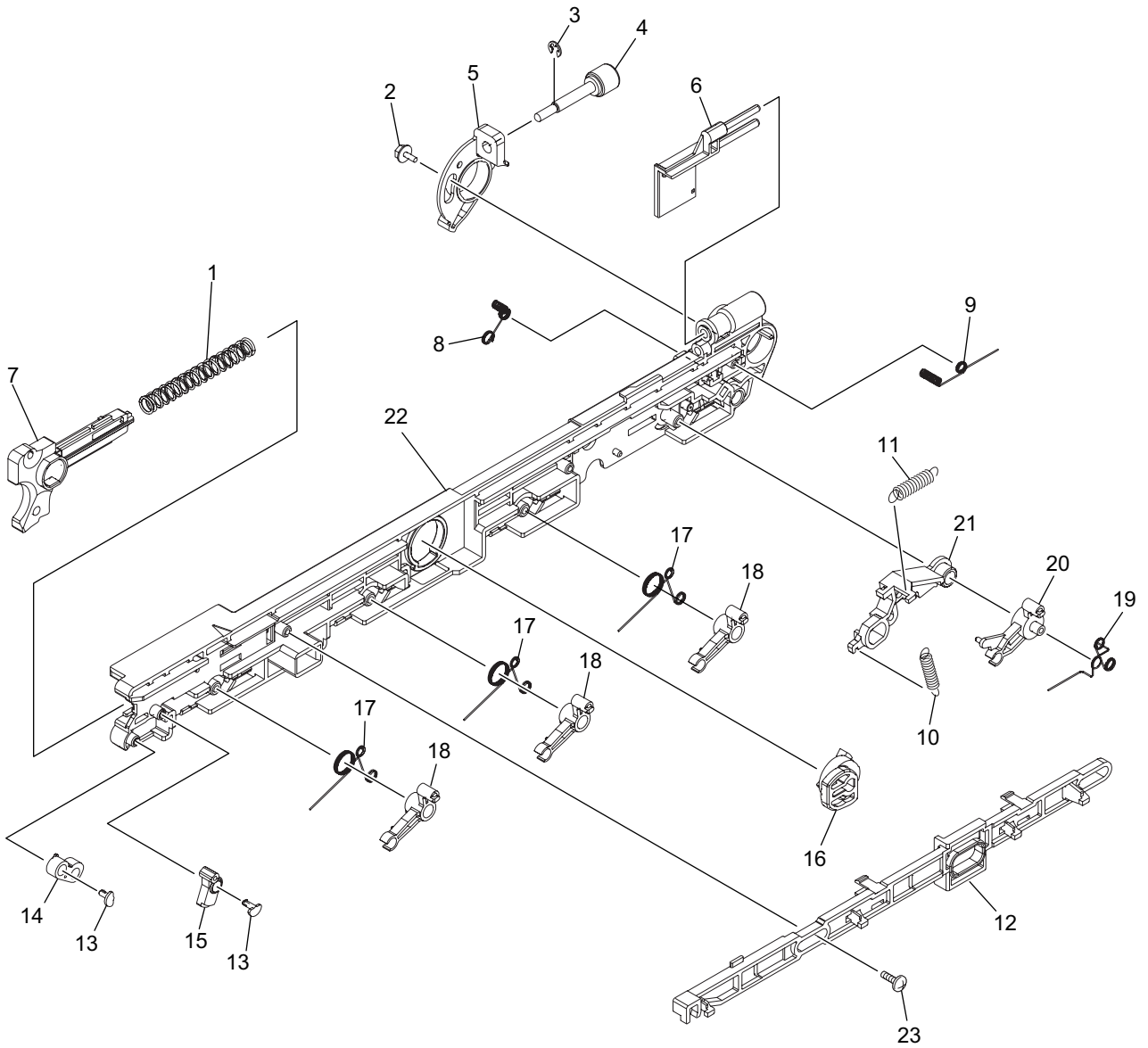
| ITEM No. | PART No. | PART NAME | Q'TY / PAGE | Q'TY / PACK | REMARKS |
|----------|-------------|-------------------------|-------------|-------------|-----------------|
| 1 | X0-02671000 | S/FHEXM-M3X6-ZB3 | 2 | 10/P | |
| 2 A | 6LK53359400 | ASY-GLASS-KIT-K1XX-W3_L | 1 | 1/S | NAD |
| 2 B | 6LK53359300 | ASY-GLASS-KIT-K1XX-W3_A | 1 | 1/S | MJD,ASD,AUD,ARD |
| 2 C | 6LK53359500 | ASY-GLASS-KIT-K1XX-W3_K | 1 | 1/S | CND,TWD |
| 3 | 6LK53358000 | ASY-GLASS-ADF-KIT-K1XX | 1 | 1/S | |
| 4 | 6LK53343000 | SPL-GLS-DF-K1XX | 1 | 1/P | |
| 5 | X0-02230000 | S/FHEXM-M3X6-NI | 1 | 10/P | |
| 6 | 6LK53356000 | MYLAR-BASE-SCAN-K1XX | 1 | 1/P | |
| | | | | | |
| | | | | | |
| | | | | | |
| | | | | | |
| | | | | | |
| | | | | | |
| | | | | | |
| | | | | | |
| | | | | | |
| | | | | | |
| | | | | | |
| | | | | | |
| | | | | | |
| | | | | | |
| | | | | | |
| | | | | | |
| | | | | | |
| | | | | | |
| | | | | | |
| | | | | | |
| | | | | | |
| | | | | | |



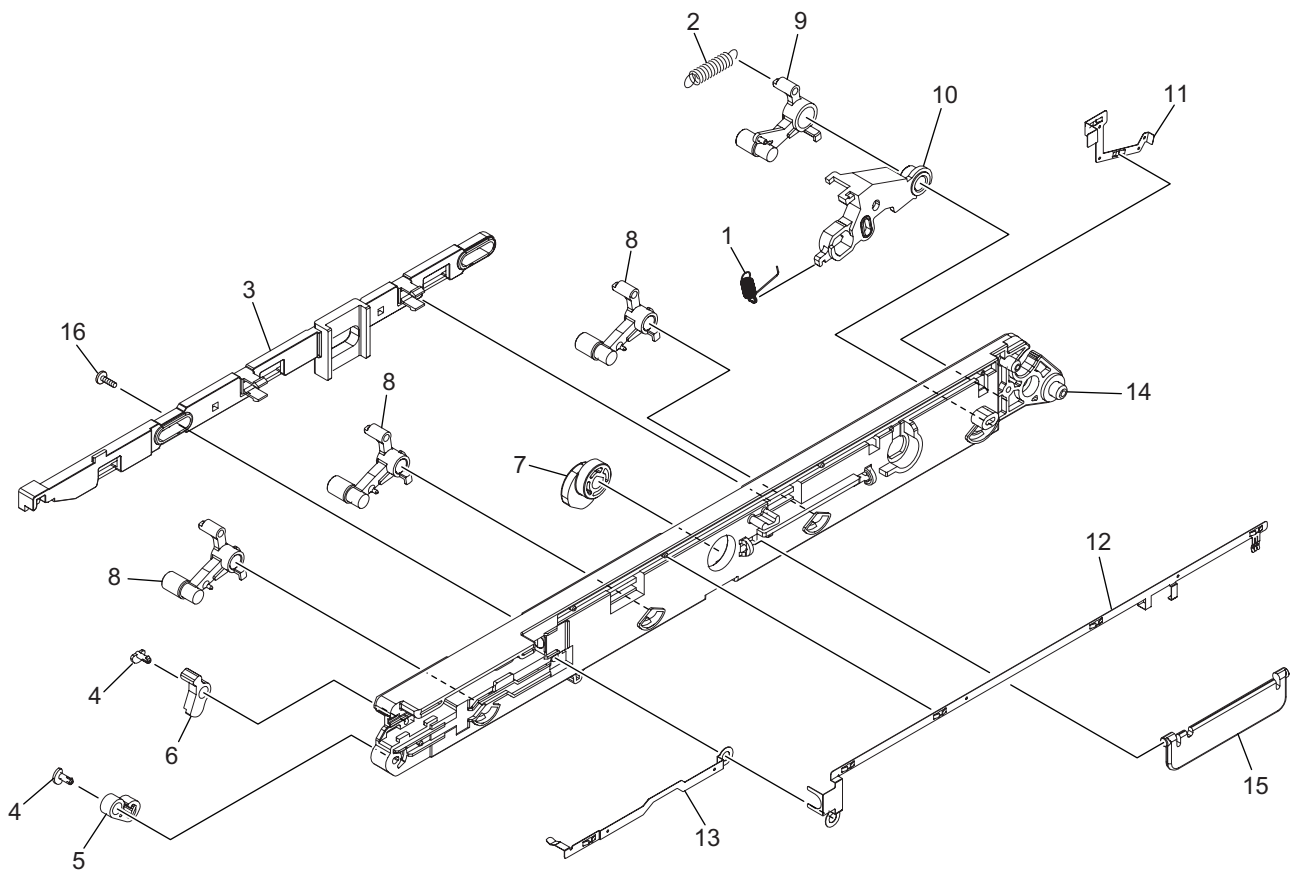
| ITEM No. | PART No. | PART NAME | Q'TY / PAGE | Q'TY / PACK | REMARKS |
|----------|-------------|-----------------------|-------------|-------------|---------|
| 1 | 6LJ55518000 | SHAFT-STY-TBU | 1 | 1/P | |
| 2 | 4407734980 | BUSH-6-GCB | 1 | 5/P | |
| 3 | 6LJ55588000 | LIFT-ARM-TR1-K | 1 | 1/P | |
| 4 | 6LJ55578000 | CAM-K-LIFT-F | 1 | 1/P | |
| 5 | 6LJ55489000 | CAM-K-LIFT-R | 1 | 1/P | |
| 6 | 6LJ55494000 | SHAFT-K-LIFT | 1 | 1/P | |
| 7 | 6LH03574000 | RRG-4-P | 4 | 1/P | |
| 8 | 6LJ55433000 | RLR-LIFT-TBU-H21X | 1 | 1/KP | |
| 9 | 6LJ55428000 | GUIDE-BELT-WEISS-CL | 2 | 1/P | |
| 10 | 6LK50415000 | RLR-CLN-TBU-H370 | 1 | 1/C | |
| 11 | F0-02166000 | L-1280ZZHP0P25LY727 | 2 | 1/P | |
| 12 | 6LJ55430000 | GEAR-S08-32-TBU | 1 | 1/P | |
| 13 | X0-00434000 | S/BID-M3X8-NI | 1 | 10/P | |
| 14 | 6LK50424000 | BELT-TBU-H370 | 1 | 1/S | |
| 15 | 6LJ55472000 | SPG-C-TNS-TBU-20N | 1 | 1/P | |
| 16 | 6LJ55561100 | HLDR-TNSF-H21Y_S | 1 | 1/P | |
| 17 | 6LJ55450000 | WIRE-GND-CLN-TBU | 1 | 1/P | |
| 18 | 6LA80090000 | S/TPP/BID-3X8-NI | 1 | 5/P | |
| 19 | X0-00964000 | RR/E-3-SS | 1 | 10/P | |
| 20 | X0-02247000 | S/TPP/FHEXM-3X8-NI | 1 | 10/P | |
| 21 | 6LK50419000 | LOCK-TBU-F-H373 | 1 | 1/P | |
| 22 | 6LJ55516000 | SCREW-TBU-LOCK | 1 | 1/P | |
| 23 | 6LJ55550000 | ASYS-HLDR-TR2-F | 1 | 1/P | |
| 24 | X0-00077000 | S/PAN/SWWP-M3X8-NI | 2 | 10/P | |
| 25 | 6LJ55438000 | STAY-TBU-H21X | 1 | 1/P | |
| 26 | X0-02231000 | S/FHEXM-M3X8-NI | 2 | 10/P | |
| 27 | 6LK50407000 | ASYS-RLR-TR2-TBU-H370 | 1 | 1/KP | |
| | | | | | |
| | | | | | |
| | | | | | |
| | | | | | |
| | | | | | |
| | | | | | |
| | | | | | |
| | | | | | |
| | | | | | |
| | | | | | |



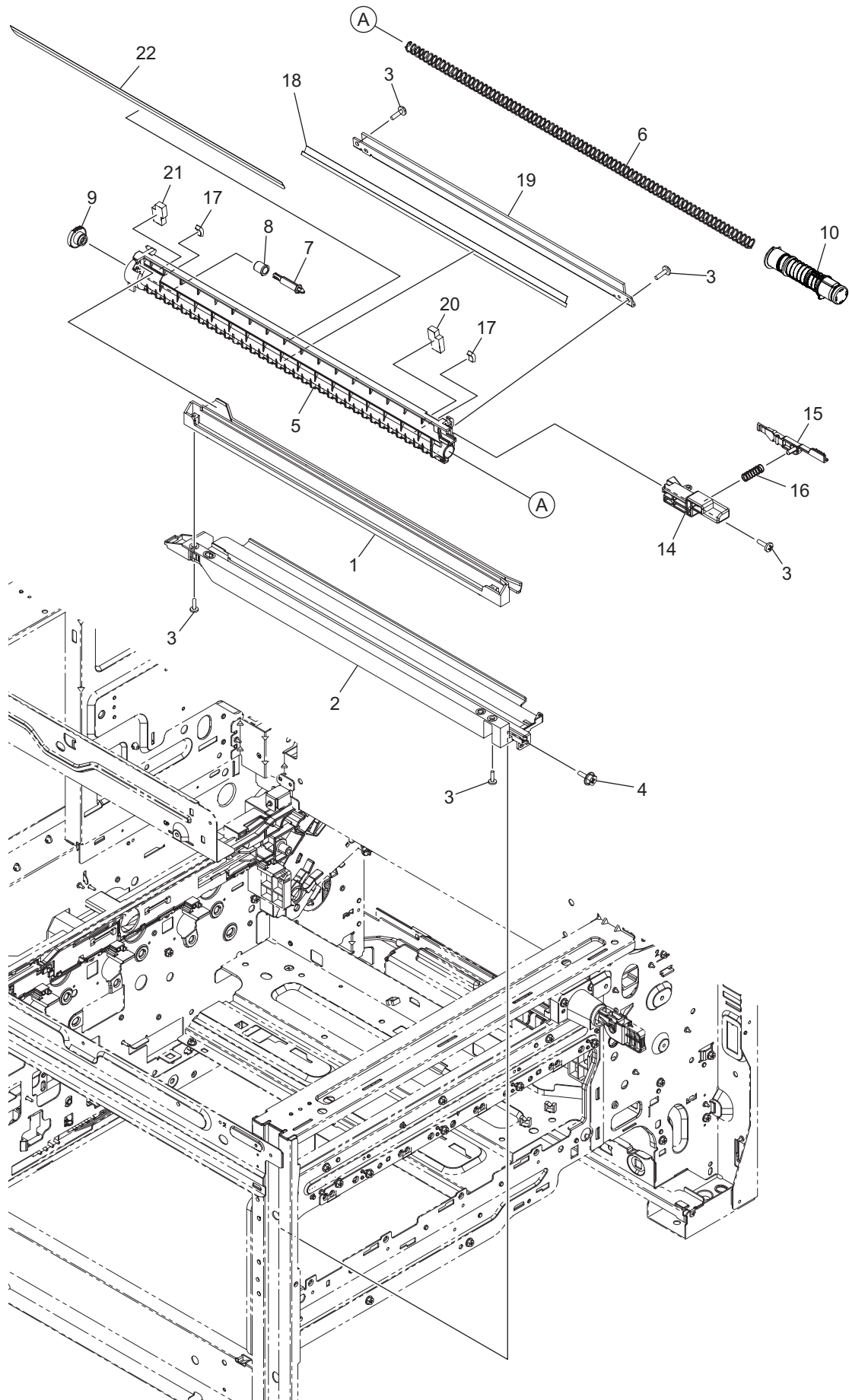
| ITEM No. | PART No. | PART NAME | Q'TY / PAGE | Q'TY / PACK | REMARKS |
|----------|-------------|-------------------------|-------------|-------------|---------|
| 1 | 4407734980 | BUSH-6-GCB | 3 | 5/P | |
| 2 | 6LJ55589000 | RLR-RIGID-TBU-H21X-TP04 | 1 | 1/KP | |
| 3 | X0-00966000 | RR/E-5-SS | 3 | 10/P | |
| 4 | 6LJ55512000 | RLR-KSET-TBU-H21X | 1 | 1/P | |
| 5 | 44201801000 | STOP-RING-6-1.5 | 1 | 5/P | |
| 6 | 6LJ55410000 | SHAFT-LINK-TBU | 1 | 1/P | |
| 7 | 6LJ55530000 | BUSH-EL-TR1-H21X | 4 | 1/P | |
| 8 | 6LJ55540000 | BUSH-TR1-H21X | 4 | 1/P | |
| 9 | 6LJ70652000 | CR-FC30TR1 | 4 | 1/S | |
| 10 | 6LJ55536000 | COLLAR-TBU-H21X | 2 | 1/P | |
| 11 | 6LJ55537000 | COL-RIGID-TBU-H21X | 1 | 1/P | |
| 12 | 6LK50401000 | SPG-E-LINK-TBU-H370 | 1 | 1/P | |
| 13 | 44201492000 | BUSH-6-POM | 1 | 5/P | |
| | | | | | |
| | | | | | |
| | | | | | |
| | | | | | |
| | | | | | |
| | | | | | |
| | | | | | |
| | | | | | |
| | | | | | |
| | | | | | |
| | | | | | |
| | | | | | |
| | | | | | |
| | | | | | |
| | | | | | |
| | | | | | |
| | | | | | |



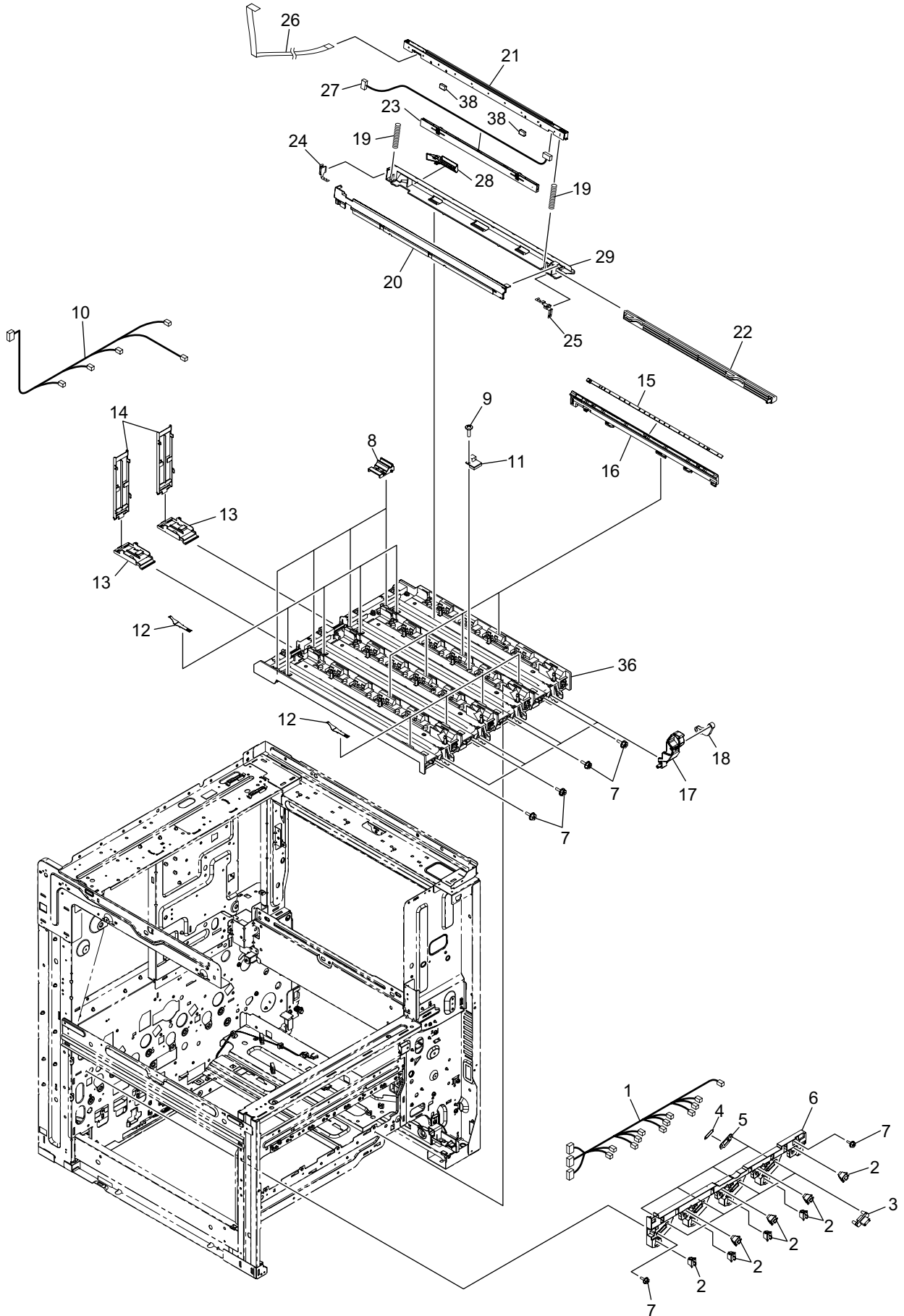
| ITEM No. | PART No. | PART NAME | Q'TY / PAGE | Q'TY / PACK | REMARKS |
|----------|-------------|-----------------------|-------------|-------------|---------|
| 1 | 6LJ55472000 | SPG-C-TNS-TBU-20N | 1 | 1/P | |
| 2 | X0-02246000 | S/TPP/FHEXM-3X6-NI | 1 | 10/P | |
| 3 | X0-00964000 | RR/E-3-SS | 1 | 10/P | |
| 4 | 6LJ55516000 | SCREW-TBU-LOCK | 1 | 1/P | |
| 5 | 6LJ55467100 | LOCK-TBU-R_S | 1 | 1/P | |
| 6 | 6LJ55515100 | LINK-LOCK-TBU_S | 1 | 1/P | |
| 7 | 6LJ55562100 | HLDR-TNSR-H21Y_S | 1 | 1/P | |
| 8 | 6LJ55473000 | SPG-T-HV-TR2-OUTSIDE | 1 | 1/P | |
| 9 | 6LK50418000 | SPG-T-HV-TR2-INSIDE2 | 1 | 1/P | |
| 10 | 6LJ55498000 | SPG-E-K-LIFT-R | 1 | 1/P | |
| 11 | 6LJ55470000 | SPG-E-TR1-TBU | 1 | 1/P | |
| 12 | 6LK50219000 | LINK-TBU-R-H373 | 1 | 1/PP | |
| 13 | 6LJ55513000 | STOP-RING-LIFT | 2 | 1/P | |
| 14 | 6LJ55573000 | HLDR-LIFT-TBU-R | 1 | 1/P | |
| 15 | 6LJ55591000 | CAM-LIFT-R-H21X | 1 | 1/P | |
| 16 | 6LK50218000 | COUPL-CAM-TBU-R-H373 | 1 | 1/P | |
| 17 | 6LJ55475000 | SPG-T-HV-TR1 | 3 | 1/P | |
| 18 | 6LJ55556000 | ARM-TR1-R | 3 | 1/P | |
| 19 | 6LJ55509000 | SPG-T-HV-TR1-K | 1 | 1/P | |
| 20 | 6LJ55555000 | ARM-TR1-K-R | 1 | 1/P | |
| 21 | 6LJ55492000 | HLDR-ROL-K-R | 1 | 1/P | |
| 22 | 6LJ55594000 | ASYS-FRAME-TBU-R-H21X | 1 | 1/PP | |
| 23 | 6LA80090000 | S/TPP/BID-3X8-NI | 1 | 5/P | |
| | | | | | |
| | | | | | |
| | | | | | |
| | | | | | |
| | | | | | |
| | | | | | |
| | | | | | |
| | | | | | |
| | | | | | |
| | | | | | |
| | | | | | |
| | | | | | |



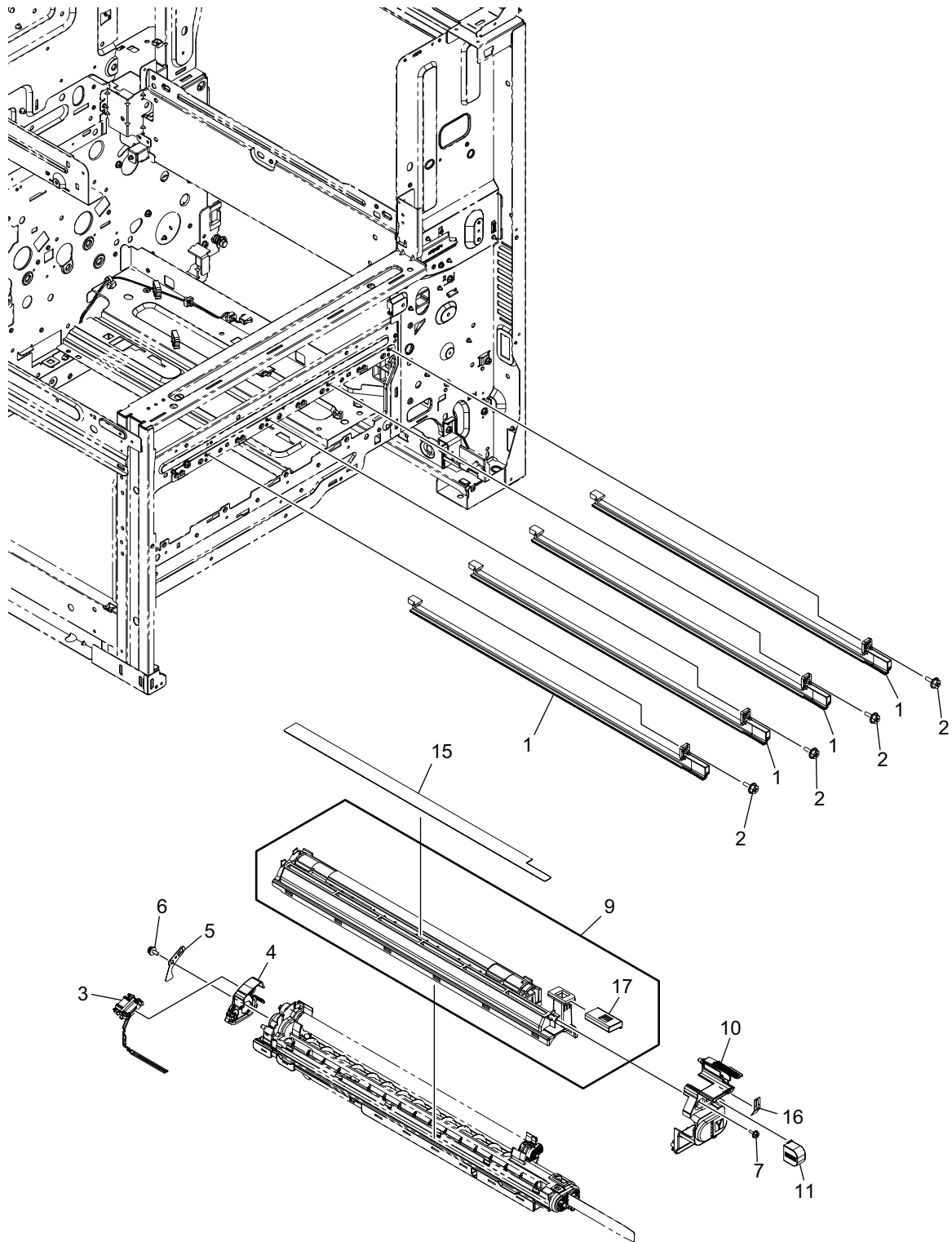
| ITEM No. | PART No. | PART NAME | Q'TY / PAGE | Q'TY / PACK | REMARKS |
|----------|-------------|---------------------|-------------|-------------|---------|
| 1 | 6LJ55497000 | SPG-E-K-LIFT-F | 1 | 1/P | |
| 2 | 6LJ55470000 | SPG-E-TR1-TBU | 1 | 1/P | |
| 3 | 6LJ55437000 | LINK-TBU-F-H21X | 1 | 1/PP | |
| 4 | 6LJ55513000 | STOP-RING-LIFT | 2 | 1/P | |
| 5 | 6LJ55574000 | HLDR-LIFT-TBU-F | 1 | 1/P | |
| 6 | 6LJ55590000 | CAM-LIFT-F-H21X | 1 | 1/P | |
| 7 | 6LJ55411000 | CAM-TR1-TBU-F | 1 | 1/P | |
| 8 | 6LJ55417000 | ARM-TR1-F | 3 | 1/P | |
| 9 | 6LJ55500000 | ARM-TR1-K-F | 1 | 1/P | |
| 10 | 6LJ55491000 | HLDR-ROL-K-F | 1 | 1/P | |
| 11 | 6LJ55449000 | SPG-F-GND-RIGID-TBU | 1 | 1/P | |
| 12 | 6LJ55447000 | SPG-F-GND-K-TBU | 1 | 1/PP | |
| 13 | 6LJ55448000 | SPG-F-GND-LIFT-TBU | 1 | 1/P | |
| 14 | 6LJ55592000 | FRAME-TBU-F-H21X | 1 | 1/PP | |
| 15 | 6LJ55517100 | HANDLE-TBU-F-H21X_S | 1 | 1/P | |
| 16 | 6LA80090000 | S/TPP/BID-3X8-NI | 1 | 5/P | |
| | | | | | |
| | | | | | |
| | | | | | |
| | | | | | |
| | | | | | |
| | | | | | |
| | | | | | |
| | | | | | |
| | | | | | |
| | | | | | |
| | | | | | |
| | | | | | |
| | | | | | |
| | | | | | |



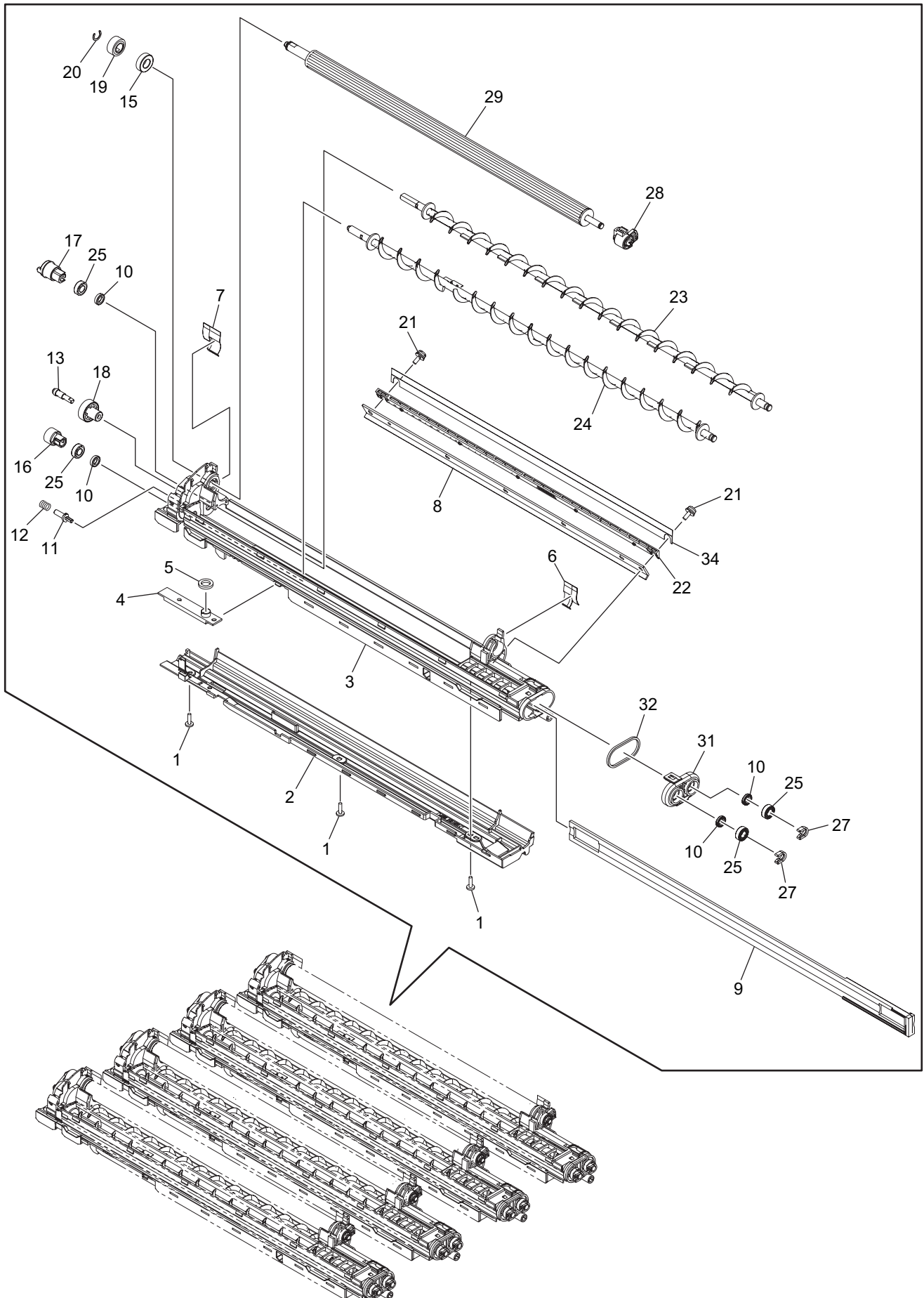
| ITEM No. | PART No. | PART NAME | Q'TY / PAGE | Q'TY / PACK | REMARKS |
|----------|-------------|-----------------------|-------------|-------------|---------|
| 1 | 6LJ55431100 | GUIDE-CLN-TBU-UP_S | 1 | 1/P | |
| 2 | 6LK50403100 | GUIDE-CLN-TBU-LOW_S | 1 | 1/PP | |
| 3 | 6LA80090000 | S/TPP/BID-3X8-NI | 5 | 5/P | |
| 4 | X0-02420000 | S/TPS/FHEXM/R-3X8-ZU3 | 1 | 10/P | |
| 5 | 6LJ55400000 | FRAME-CLN-TBU-H21X | 1 | 1/PP | |
| 6 | 6LJ55415000 | SP-AUGER-G10-P5-S1 | 1 | 1/P | |
| 7 | 6LJ55520000 | BUSH-JOINT-TBU-H21X | 1 | 1/P | |
| 8 | 6LJ55503000 | BUSH-AUGER-TBUCLN | 1 | 1/P | |
| 9 | 6LJ55403000 | GEAR-CLN-TBU-H21X | 1 | 1/P | |
| 10 | 6LJ55549000 | ASYB-NOZZLE-CLNR-H21X | 1 | 1/D | |
| 14 | 6LJ55502100 | HANDLE-TBCL_S | 1 | 1/P | |
| 15 | 6LJ55506100 | HANDLE-LOCK-CLNGRY | 1 | 1/P | |
| 16 | 6LJ55507000 | SPG-C-LOCK-TBUCLN | 1 | 1/P | |
| 17 | 6LJ55446000 | SEAL-BLADE-BACK-TBU | 2 | 1/P | |
| 18 | 6LJ55442000 | SHEET-AUGER-TBU-H21X | 1 | 1/KP | |
| 19 | 6LJ70396000 | BL-FC30TR | 1 | 1/S | |
| 20 | 6LJ55444000 | SEAL-SIDE-TBU-F | 1 | 1/P | |
| 21 | 6LJ55445000 | SEAL-SIDE-TBU-R | 1 | 1/P | |
| 22 | 6LJ55443000 | SHEET-REC-TBU-H21X | 1 | 1/KP | |
| | | | | | |
| | | | | | |
| | | | | | |
| | | | | | |
| | | | | | |
| | | | | | |
| | | | | | |
| | | | | | |
| | | | | | |
| | | | | | |
| | | | | | |
| | | | | | |
| | | | | | |
| | | | | | |
| | | | | | |
| | | | | | |
| | | | | | |
| | | | | | |



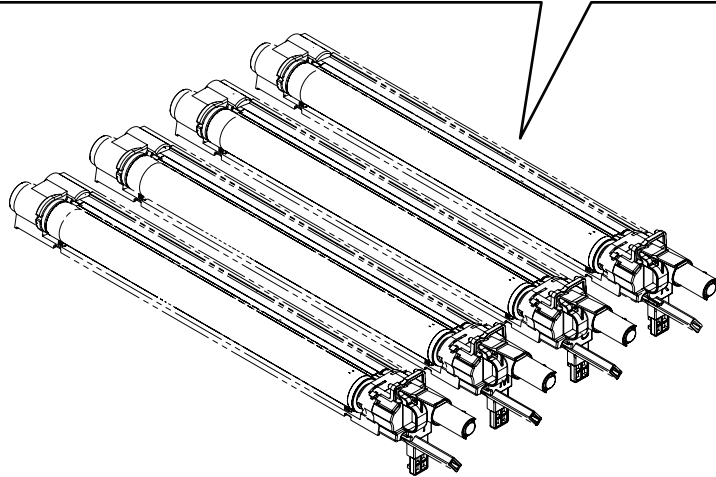
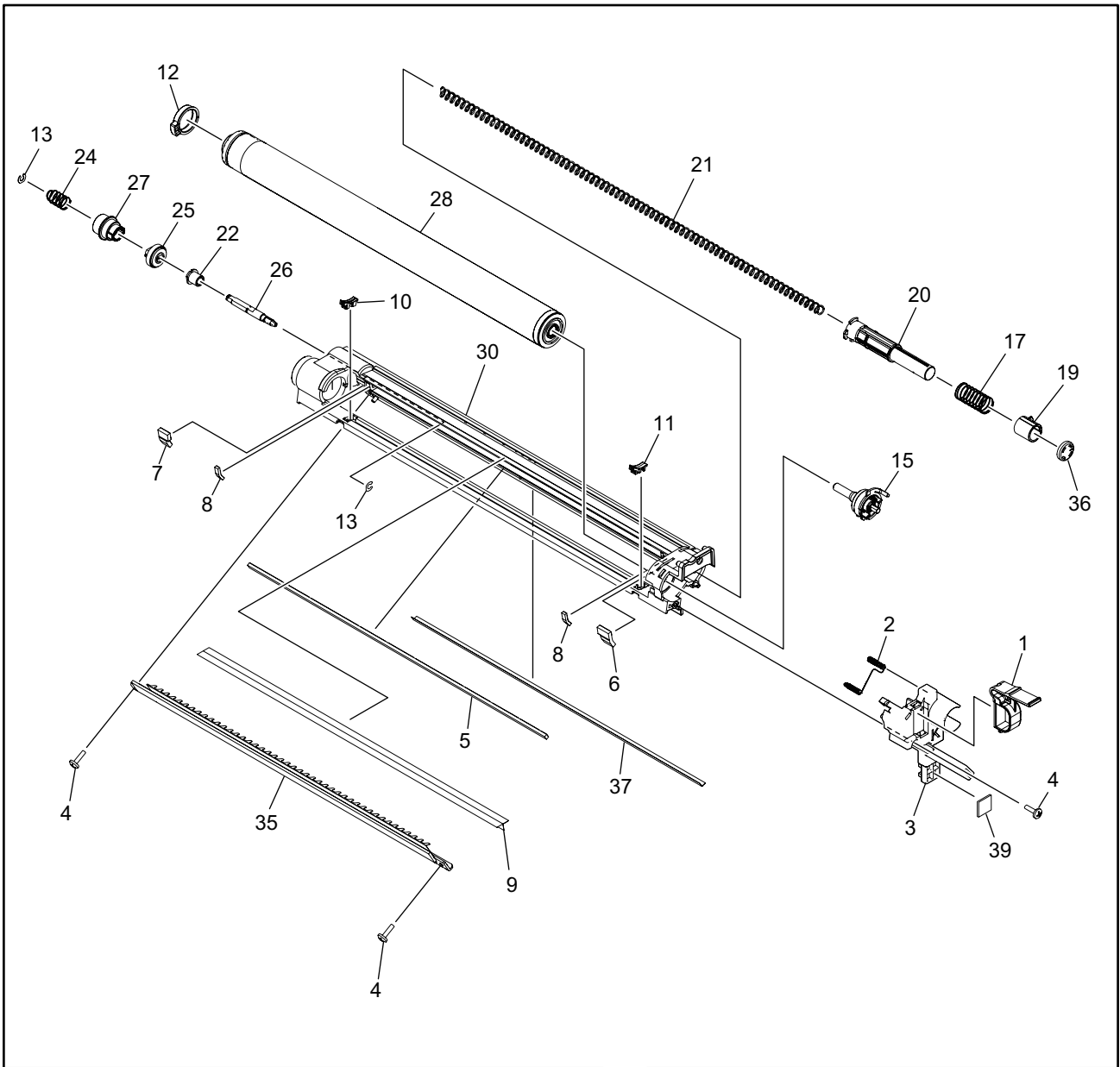
| ITEM No. | PART No. | PART NAME | Q'TY / PAGE | Q'TY / PACK | REMARKS |
|----------|-------------|--------------------------|-------------|-------------|---------|
| 1 | 6LK45367000 | HRNS-LGC-ATEPU-H370 | 1 | 1/P | |
| 2 | E0-01853000 | CS1A-B2CA | 8 | 1/D | |
| 3 | E0-14465000 | 06R-RIZ-K4GG-FL (LF)(SN) | 4 | 1/P | |
| 4 | 6LJ54089000 | SPG-E-DRW | 4 | 1/P | |
| 5 | 6LJ54088000 | PLATE-HOLD-DRW | 4 | 1/P | |
| 6 | 6LJ54181100 | BASE-DRW-RER-B_S | 1 | 1/PP | |
| 7 | X0-02420000 | S/TPS/FHEXM/R-3X8-ZU3 | 6 | 10/P | |
| 8 | 6LJ54657100 | COVER-HRNS_S | 4 | 1/P | |
| 9 | 6LA80090000 | S/TPP/BID-3X8-NI | 1 | 5/P | |
| 10 | 6LK45390000 | HRNS-LGC-DLED-H370 | 1 | 1/P | |
| 11 | 6LJ60539000 | THMS-DRM-H210 | 1 | 1/SB | |
| 12 | 6LJ54669000 | SPG-F-PUSHER-DEV-21X | 8 | 1/P | |
| 13 | 6LJ54746100 | GUIDE-HRNS-LED-MID_S | 2 | 1/P | |
| 14 | 6LJ54665100 | GUIDE-HRNS-LED_S | 2 | 1/P | |
| 15 | 6LJ61240000 | LAMP-ERASE-FS-H210 | 4 | 1/SB | |
| 16 | 6LJ54745100 | HOLDER-LED-ERAS_S | 4 | 1/KP | |
| 17 | 6LJ54741100 | LEVER-LED_S | 4 | 1/P | |
| 18 | 6LJ54666000 | LINK-LED-LEVER | 4 | 1/P | |
| 19 | 6LJ54634000 | SPG-C-8R1XR7X46R5-LED | 2 | 1/P | |
| 20 | 6LJ54661100 | CASE-LED-LEFT_S | 1 | 1/PP | |
| 21 | 6LK49471000 | ASYS-LED-HEAD | 1 | 1/C | |
| 22 | 6LJ54743000 | LEVER-LED-DOWN | 1 | 1/P | |
| 23 | 6LJ54658000 | LINK-GUIDE-HRNS-LED | 1 | 1/PP | |
| 24 | 6LJ54776000 | SPG-F-EARTH-RER-A | 1 | 1/C | |
| 25 | 6LJ54777000 | SPG-F-EARTH-FRT-A | 1 | 1/C | |
| 26 A | 6LK45514100 | ASYS-FFC-HEADY-H370-JS | 1 | 1/P | Yellow |
| 26 B | 6LK45515100 | ASYS-FFC-HEADM-H370-JS | 1 | 1/P | Magenta |
| 26 C | 6LK45516100 | ASYS-FFC-HEADC-H370-JS | 1 | 1/P | Cyan |
| 26 D | 6LK45517100 | ASYS-FFC-HEADK-H370-JS | 1 | 1/P | Black |
| 27 A | 6LJ60882000 | HRNS-LGC-YLEDP-212 | 1 | 1/P | Yellow |
| 27 B | 6LJ60883000 | HRNS-LGC-MLEDP-212 | 1 | 1/P | Magenta |
| 27 C | 6LK45388000 | HRNS-LGC-CLEDP-H370 | 1 | 1/P | Cyan |
| 27 D | 6LK45389000 | HRNS-LGC-KLEDP-H370 | 1 | 1/P | Black |
| 28 | 6LJ54663100 | DUCT-COVER-OZN_S | 1 | 1/P | |
| 29 | 6LJ54768000 | CASE-LED-RIGHT | 1 | 1/PP | |
| 36 | 6LJ54721300 | GUIDE-EPU-L_S | 1 | 1/PP | |
| 38 | 6LJ54742000 | SHEET-GUIDE-HRNS | 2 | 5/P | |
| | | | | | |
| | | | | | |
| | | | | | |
| | | | | | |
| | | | | | |
| | | | | | |
| | | | | | |



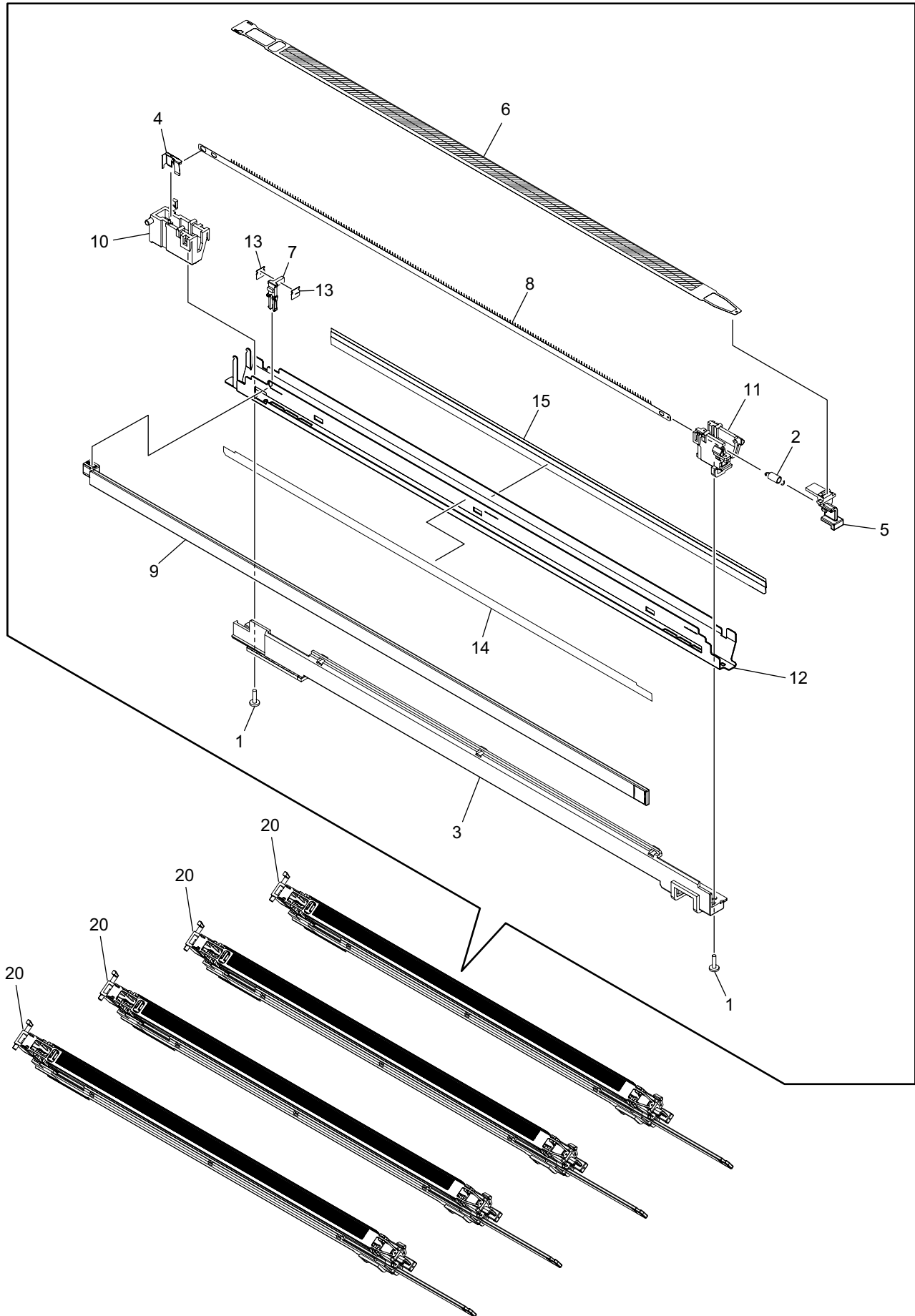
| ITEM No. | PART No. | PART NAME | Q'TY / PAGE | Q'TY / PACK | REMARKS |
|----------|-------------|---------------------|-------------|-------------|---------|
| 1 | 6LJ54755000 | RAIL-CLNR-UNIT-H21X | 4 | 1/KP | |
| 2 | X0-02247000 | S/TPP/FHEXM-3X8-NI | 4 | 10/P | |
| 3 | 6LJ61544000 | ASYB-HRNS-ATTNR-210 | 1 | 1/P | |
| 4 | 6LJ54043000 | BRKT-STUD-GEAR-IDLE | 1 | 1/P | |
| 5 | 6LJ54063000 | ADJSTR-MG-21X | 1 | 1/P | |
| 6 | X0-00059000 | S/PAN/SWWS-M3X6-NI | 1 | 10/P | |
| 7 | X0-02247000 | S/TPP/FHEXM-3X8-NI | 1 | 10/P | |
| 9 | 6LK49004000 | ASYB-COV-DEV-H370 | 1 | 1/PP | |
| 10 A | 6LJ54249B00 | COV-DEV-FRT-21X-Y_S | 1 | 1/C | Yellow |
| 10 B | 6LJ54249A00 | COV-DEV-FRT-21X-M_S | 1 | 1/C | Magenta |
| 10 C | 6LJ54249900 | COV-DEV-FRT-21X-C_S | 1 | 1/C | Cyan |
| 10 D | 6LJ54249800 | COV-DEV-FRT-21X-K_S | 1 | 1/C | Black |
| 11 | 6LJ54109100 | HNDL-DEV-FRT-21X_S | 1 | 1/P | |
| 15 | 6LJ54260000 | SHEET-PRIN-DEV | 1 | 1/KP | |
| 16 | 6LJ54693000 | LBL-ARROW-CLN | 1 | 1/P | |
| 17 | 6LJ54053100 | SHUT-TNR-DEV-21X_S | 1 | 1/P | |
| | | | | | |
| | | | | | |
| | | | | | |
| | | | | | |
| | | | | | |
| | | | | | |
| | | | | | |
| | | | | | |
| | | | | | |
| | | | | | |
| | | | | | |
| | | | | | |
| | | | | | |
| | | | | | |
| | | | | | |
| | | | | | |



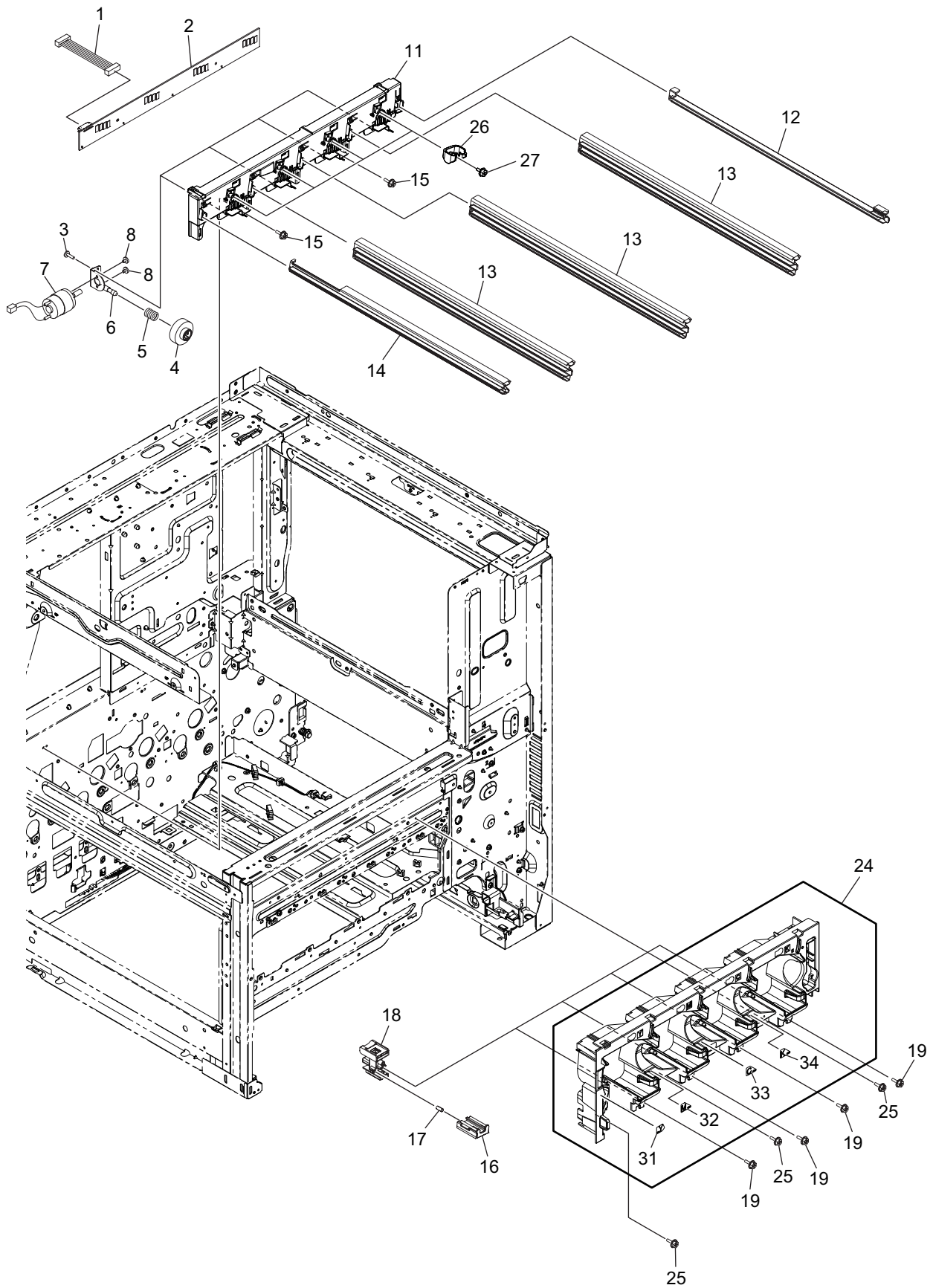
| ITEM No. | PART No. | PART NAME | Q'TY / PAGE | Q'TY / PACK | REMARKS |
|----------|-------------|-------------------------|-------------|-------------|---------|
| 1 | 6LA80090000 | S/TPP/BID-3X8-NI | 3 | 5/P | |
| 2 | 6LJ54167100 | DUCT-COOL-DEV-21Y_S | 1 | 1/C | |
| 3 | 6LK49007000 | ASYS-CASE-DEV-SEAL-H370 | 1 | 1/PP | |
| 4 | 6LJ60501000 | SNSR-ATC-H210 | 1 | 1/C | |
| 5 | 6LA29904000 | SEAL-ATC-BLK | 1 | 5/P | |
| 6 | 6LJ54072000 | SEAL-RLR-MAGT-SIDE-FRT | 1 | 1/P | |
| 7 | 6LJ54073000 | SEAL-RLR-MAGT-SIDE-RER | 1 | 1/P | |
| 8 | 6LJ54136000 | ASYS-DOCTR-21X | 1 | 1/P | |
| 9 | 6LK49003000 | ASYS-SPRTR-DEV-H370 | 1 | 1/P | |
| 10 | 4401949290 | SEAL-VC6-10-2.5 | 4 | 1/P | |
| 11 | 6LJ54054100 | DOG-SNSR-DEV-NEW_S | 1 | 1/P | For SVP |
| 12 | 6LJ54261000 | SPG-C-DOG-SNSR-DEV-NEW | 1 | 1/P | For SVP |
| 13 | 6LK49008000 | STUD-GEAR-IDLE-H370 | 1 | 1/P | |
| 15 | F0-01868000 | 6882RSSH44M | 1 | 1/P | |
| 16 | 6LJ54056000 | GEAR-04H-29-9-MIX-SPLR | 1 | 1/P | |
| 17 | 6LJ54055000 | GEAR-04H-29-9-MIX-AGIR | 1 | 1/P | |
| 18 | 6LJ54057000 | GEAR-04H-42-6-IDLE-21X | 1 | 1/P | |
| 19 | 6LJ54058000 | GEAR-04H-35-8-RLR-MG | 1 | 1/P | |
| 20 | F0-01499000 | S5103-31 3BC | 1 | 10/P | |
| 21 | X0-00059000 | S/PAN/SWWS-M3X6-NI | 2 | 10/P | |
| 22 | 6LJ54196000 | ASYS-HLDR-DRM-H21X | 1 | 1/KP | |
| 23 | 6LJ54202000 | MIXER-DEV-SPLR | 1 | 1/KP | |
| 24 | 6LJ54204000 | ASYS-MIXR-DEV-AGIR | 1 | 1/KP | |
| 25 | 6LJ54048000 | BUSH-6X12X4-671 | 4 | 1/P | |
| 27 | 4407972860 | STOP-RING-6-5 | 2 | 5/P | |
| 28 | 6LJ54245000 | BUSH-RLR-MAGT-FRT-21X | 1 | 1/P | |
| 29 | 6LJ54183000 | RLR-MAGT-21X-100-2 | 1 | 1/KP | |
| 31 | 6LJ54253100 | BUSH-DEV-FRT-21X_S | 1 | 1/P | |
| 32 | 6LJ54144000 | SEAL-BUSH-DEV-FRT-21X | 1 | 1/P | |
| 34 | 6LJ54153000 | SEAL-DRUM-DEV | 1 | 1/KP | |
| | | | | | |
| | | | | | |
| | | | | | |
| | | | | | |
| | | | | | |
| | | | | | |
| | | | | | |
| | | | | | |
| | | | | | |
| | | | | | |



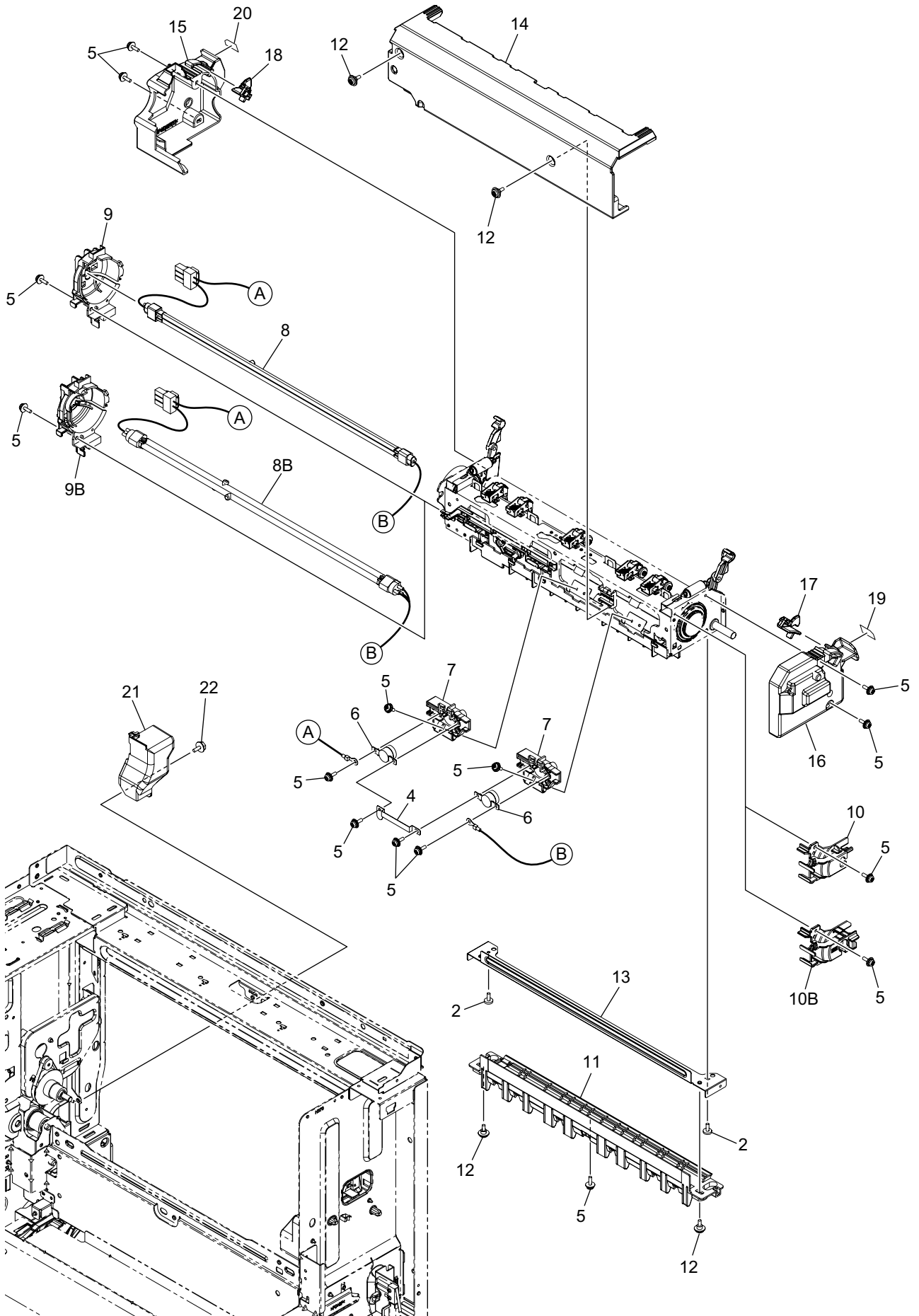
| ITEM No. | PART No. | PART NAME | Q'TY / PAGE | Q'TY / PACK | REMARKS |
|----------|-------------|---------------------------|-------------|-------------|---------|
| 1 | 6LJ54094100 | HOOK-CLNR-DRUM-H21X_S | 1 | 1/P | |
| 2 | 6LJ54036000 | SPG-DRUM-EARTH-H21X | 1 | 1/P | |
| 3 A | 6LJ54007B00 | COV-DRUM-CLNR-F-H21X-LY_S | 1 | 1/P | Yellow |
| 3 B | 6LJ54007A00 | COV-DRUM-CLNR-F-H21X-LM_S | 1 | 1/P | Magenta |
| 3 C | 6LJ54007900 | COV-DRUM-CLNR-F-H21X-LC_S | 1 | 1/P | Cyan |
| 3 D | 6LJ54007800 | COV-DRUM-CLNR-F-H21X-LK_S | 1 | 1/D | Black |
| 4 | 6LA80090000 | S/TPP/BID-3X8-NI | 3 | 5/P | |
| 5 | 6LJ54033000 | SEAL-CASE-CLNR-H21X | 1 | 1/KP | |
| 6 | 6LK49134000 | SEAL-SIDE-FRT-H37X_F | 1 | 5/P | |
| 7 | 6LK49135000 | SEAL-SIDE-RER-H37X_F | 1 | 5/P | |
| 8 | 6LJ54034000 | SEAL-BLADE-BACK-H21X | 2 | 5/P | |
| 9 | 6LJ54029000 | BLADE-REC-H21X | 1 | 1/KP | |
| 10 | 6LJ54012000 | SPACER-LED-RER-H21X | 1 | 1/P | |
| 11 | 6LJ54011000 | SPACER-LED-FRT-H21X | 1 | 1/P | |
| 12 | 6LJ54005000 | BUSH-DRUM-RER-H21X | 1 | 1/P | |
| 13 | 6LJ54091000 | RRG-4-P-N | 2 | 1/P | |
| 15 | 6LJ54110000 | ASYB-BUSH-DRUM-FRT-H21X | 1 | 1/P | |
| 17 | 6LJ54040000 | SPG-SHUT-CNLR-DRUM-H21X | 1 | 1/P | |
| 19 | 6LJ54015100 | SHUT-NOZZLE-CLNR-H21X_S | 1 | 1/P | |
| 20 | 6LJ54014100 | NOZZLE-CLNR-AUGER-H21X_S | 1 | 1/P | |
| 21 | 6LJ54003000 | SPG-AUGER-8-5_5-H21X | 1 | 1/P | |
| 22 | 6LJ54001000 | BUSH-AUGER-RER-H21X | 1 | 1/P | |
| 24 | 6LJ54039000 | SPG-DOG-CLNR-DRUM-H21X | 1 | 1/P | For SVP |
| 25 | 6LJ54030000 | GEAR-6S30-6-AUGER | 1 | 1/P | |
| 26 | 6LJ54013000 | HOLDER-DOG-H21X | 1 | 1/P | |
| 27 | 6LJ54016000 | DOG-DRUM-CLR-6 | 1 | 1/P | For SVP |
| 28 | 6LJ70402200 | OD-FC30N | 1 | 1/S | |
| 30 | 6LJ54198000 | ASYS-CASE-CLNR-DRUM-H21X | 1 | 1/C | |
| 35 | 6LK49077000 | BL-FC200D | 1 | 1/S | |
| 36 | 6LJ54126100 | CAP-NOZZLE-CLNR-D-H21X_S | 1 | 1/P | |
| 37 | 6LJ54146000 | BLADE-CLN-H21X | 1 | 1/KP | |
| 39 | 6LJ54161000 | SHEET-PUSHER-CLNR | 1 | 5/P | |
| | | | | | |
| | | | | | |
| | | | | | |
| | | | | | |
| | | | | | |
| | | | | | |
| | | | | | |
| | | | | | |
| | | | | | |



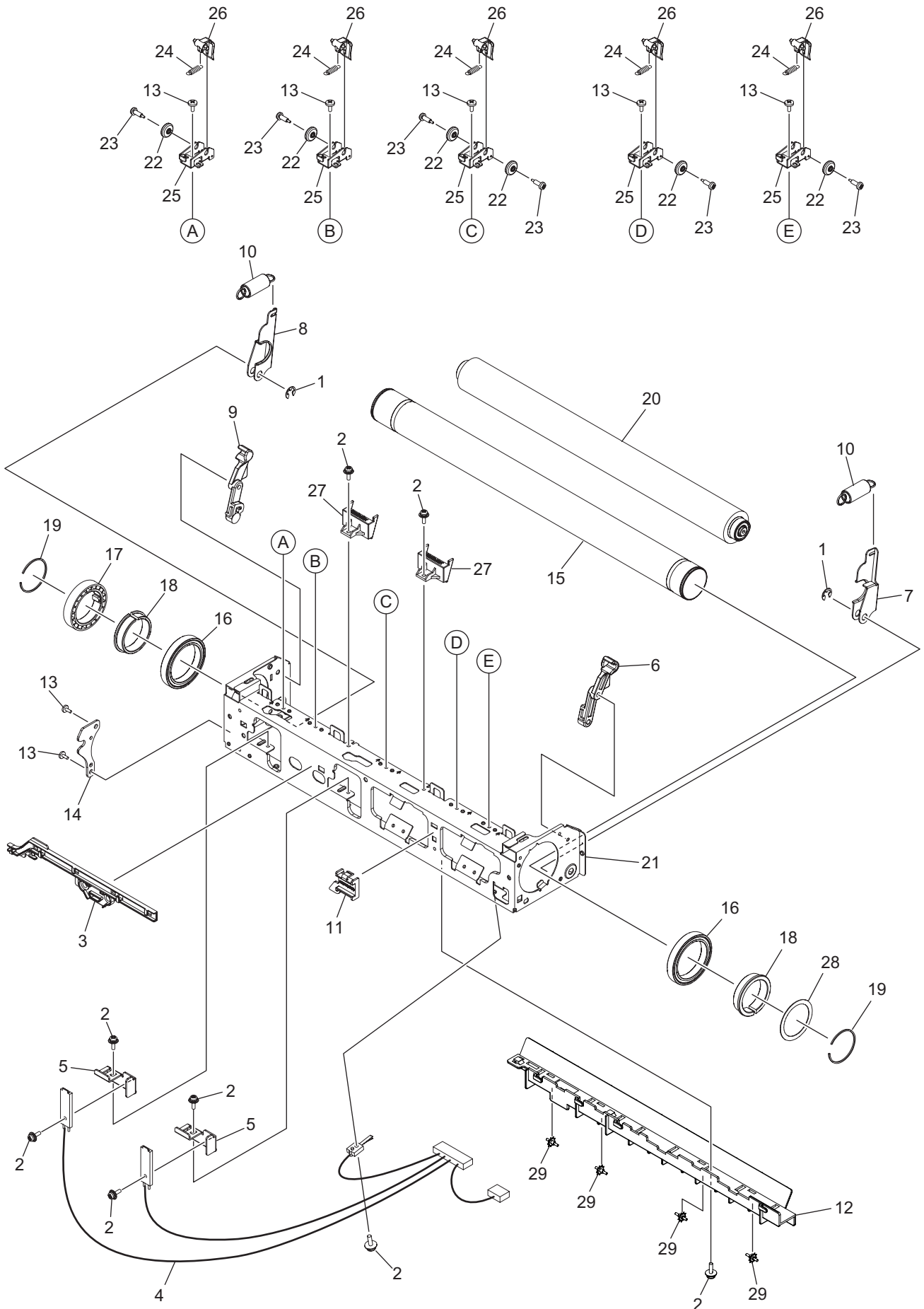
| ITEM No. | PART No. | PART NAME | Q'TY / PAGE | Q'TY / PACK | REMARKS |
|----------|-------------|--------------------------|-------------|-------------|---------|
| 1 | 6LA80090000 | S/TPP/BID-3X8-NI | 2 | 5/P | |
| 2 | 6LE23557000 | SPG-E-4XR5X11R2-CHARGR | 1 | 5/P | |
| 3 | 6LJ54112000 | ASYS-DUCT-CHARGR-H21X | 1 | 1/P | |
| 4 | 6LJ54028000 | SPG-F-BIAS-CHGR-H21X | 1 | 1/P | |
| 5 | 6LK49138000 | LEVER-GRID-CHARGR-H21X | 1 | 1/P | |
| 6 | 6LJ54173000 | GRID-CHARGR-MAIN-H21X | 1 | 1/KP | |
| 7 | 6LJ54093000 | ASYS-HLDR-CLNR-CH-H21X | 1 | 1/P | |
| 8 | 6LK49126000 | PIN-ARRAY-CHARGR-H37X | 1 | 1/KP | |
| 9 | 6LJ54009100 | ROD-CHARGR-MAIN-H21X_S | 1 | 1/P | |
| 10 | 6LK49094000 | TEARM-CHARGR-MAIN-R-H21X | 1 | 1/P | |
| 11 | 6LJ54019000 | TEARM-CHARGR-MAIN-F-H21X | 1 | 1/P | |
| 12 | 6LJ54017000 | CASE-CHARGR-MAIN-H21X | 1 | 1/P | |
| 13 | 6LJ54099000 | FILM-CLNR-CHARGR-H21X | 2 | 1/P | |
| 14 | 6LJ54257000 | SHEET-CHARGR-LED | 1 | 1/KP | |
| 15 | 6LJ54256000 | SHEET-CHARGR-RGT-H21X-B | 1 | 1/KP | |
| 20 | 6LK49093000 | ASYB-CHARGR-MAIN-H21X-L | 4 | 1/C | |
| | | | | | |
| | | | | | |
| | | | | | |
| | | | | | |
| | | | | | |
| | | | | | |
| | | | | | |
| | | | | | |
| | | | | | |
| | | | | | |
| | | | | | |
| | | | | | |
| | | | | | |
| | | | | | |
| | | | | | |
| | | | | | |
| | | | | | |



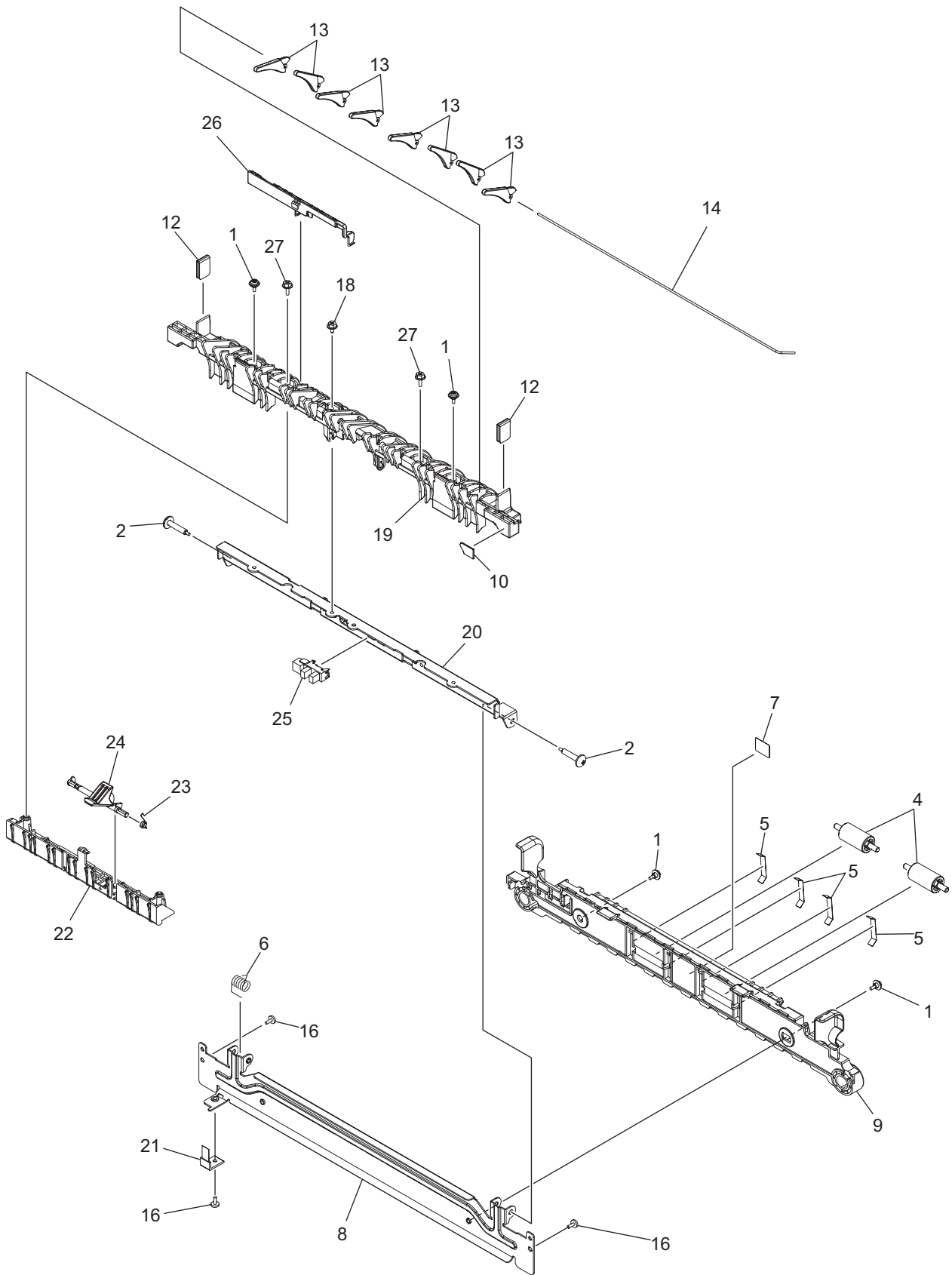
| ITEM No. | PART No. | PART NAME | Q'TY / PAGE | Q'TY / PACK | REMARKS |
|----------|-------------|-----------------------|-------------|-------------|---------|
| 1 | 6LK45385000 | HRNS-LGC-TNRIC-H370 | 1 | 1/P | |
| 2 | 6LK56073000 | ASYB-PACK-CTIF-H370 | 1 | 1/S | |
| 3 | 6LA80090000 | S/TPP/BID-3X8-NI | 4 | 5/P | |
| 4 A | 6LJ54816100 | GEAR-5H68-6-H21X-U | 4 | 1/P | NAD,ARD |
| 4 B | 6LJ54816300 | GEAR-5H68-6-H21X-J | 4 | 1/P | ASD,AUD |
| 4 C | 6LJ54816000 | GEAR-5H68-6-H21X-E | 4 | 1/P | MJD,CND |
| 4 D | 6LJ54816200 | GEAR-5H68-6-H21X-D | 4 | 1/P | TWD |
| 5 | 6LH39254000 | SPG-C-11R8XR8X24R | 4 | 1/P | |
| 6 | 6LJ54809000 | ASYS-TNRBKT-H21X | 4 | 1/P | |
| 7 | 6LJ76845000 | MOTRD-TNR-H24X | 4 | 1/D | |
| 8 | X0-02557000 | S/BID-M2.6X3-NI | 8 | 10/P | |
| 11 | 6LJ54897100 | HLDR-TNRDRV-H370 | 1 | 1/PP | |
| 12 | 6LJ54814100 | STAY-TNR-H21X-K_S | 1 | 1/P | |
| 13 | 6LJ54813100 | STAY-TNR-H21X_S | 3 | 1/P | |
| 14 | 6LJ54812100 | STAY-TNR-H21X-Y_S | 1 | 1/P | |
| 15 | X0-02420000 | S/TPS/FHEXM/R-3X8-ZU3 | 2 | 10/P | |
| 16 | 6LJ54834000 | ASYS-SHUTPIPE-H21X | 4 | 1/P | |
| 17 | 6LJ54893000 | SPG-C-SHUT-TONER-N1 | 4 | 1/P | |
| 18 | 6LJ54845000 | ASYS-PIPE-H21X | 4 | 1/P | |
| 19 | X0-02247000 | S/TPP/FHEXM-3X8-NI | 4 | 10/P | |
| 24 | 6LK49938000 | ASYS-COVIN-K100 | 1 | 1/PP | |
| 25 | X0-02231000 | S/FHEXM-M3X8-NI | 3 | 10/P | |
| 26 | 6LK49920000 | CATCH-TNR-H370 | 4 | 1/P | |
| 27 | X0-02246000 | S/TPP/FHEXM-3X6-NI | 4 | 10/P | |
| 31 | 6LK49919100 | LBL-TNR-H370-C | 1 | 1/P | |
| 32 | 6LK49919000 | LBL-TNR-H370-M | 1 | 1/P | |
| 33 | 6LK49918000 | LBL-TNR-H370-Y | 1 | 1/P | |
| 34 | 6LK49919200 | LBL-TNR-H370-K | 1 | 1/P | |
| | | | | | |
| | | | | | |
| | | | | | |
| | | | | | |
| | | | | | |
| | | | | | |
| | | | | | |
| | | | | | |
| | | | | | |
| | | | | | |
| | | | | | |
| | | | | | |
| | | | | | |
| | | | | | |



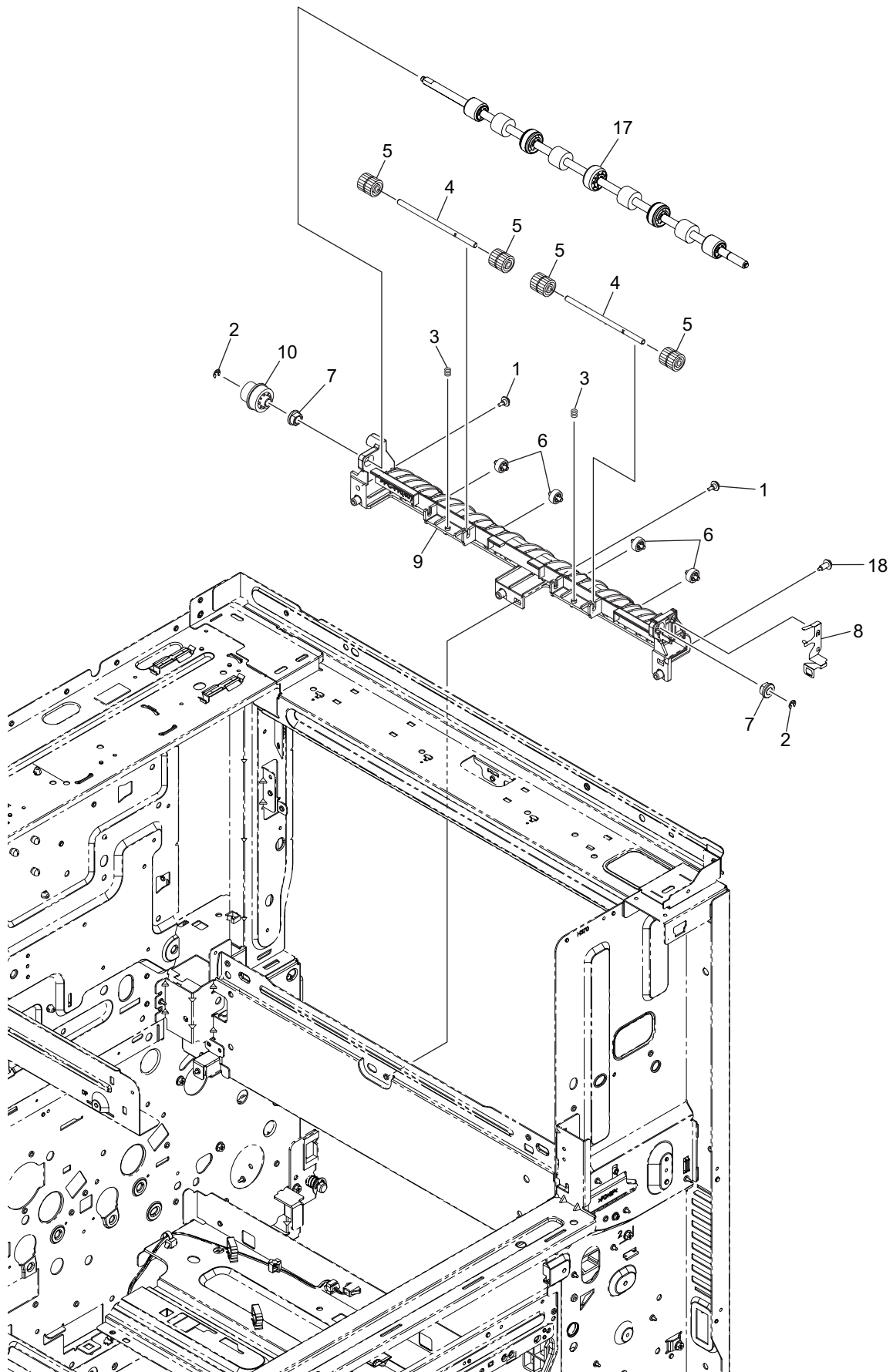
| ITEM No. | PART No. | PART NAME | Q'TY / PAGE | Q'TY / PACK | REMARKS |
|----------|-------------|-------------------------|-------------|-------------|-------------------------|
| 2 | X0-00430000 | S/BID-M3X6-NI | 2 | 10/P | |
| 4 | 6LJ58014000 | PLT-CNCT-THMST | 1 | 1/P | |
| 5 | X0-00077000 | S/PAN/SWWP-M3X8-NI | 13 | 10/P | |
| 6 | 6LJ60327000 | THRMST-HTR-210 | 2 | 1/D | |
| 7 | 6LJ58078200 | ASYS-HLDR-THMST-H410 | 2 | 1/P | |
| 8 A | 6LK52048000 | ASYS-LAMP-HR-H370-120 | 1 | 1/C | NAD,TWD |
| 8 B | 6LK52048100 | ASYS-LAMP-HR-H370-230 | 1 | 1/C | ASD,AUD,ARD,CND |
| 8 C | 6LK52055000 | ASYS-LAMP-HR-K100-230BA | 1 | 1/C | MJD |
| 9 A | 6LK52047000 | HLDR-LAMP-R-H370 | 1 | 1/P | NAD,ASD,AUD,ARD,CND,TWD |
| 9 B | 6LK52049000 | HLDR-LAMP-R-K100-BA | 1 | 1/P | MJD |
| 10 A | 6LJ58065200 | HLDR-LAMP-F4 | 1 | 1/P | NAD,ASD,AUD,ARD,CND,TWD |
| 10 B | 6LK52050000 | HLDR-LAMP-F-K100-BA | 1 | 1/P | MJD |
| 11 | 6LJ58047000 | GUIDE-ENT-PR-H210 | 1 | 1/PP | |
| 12 | 6LH36359000 | SCREW-M3-D4X2.3 | 4 | 10/P | |
| 13 | 6LJ58046000 | PLT-ENT-PR-H210 | 1 | 1/PP | |
| 14 | 6LJ58003000 | COVER-FUS-B | 1 | 1/PP | |
| 15 | 6LK52017000 | COVER-FUS-R-H370 | 1 | 1/P | |
| 16 | 6LJ58170000 | COVER-FUS-F | 1 | 1/PP | |
| 17 | 6LJ58151000 | STOP-ENVLP-F3 | 1 | 1/P | |
| 18 | 6LJ58152000 | STOP-ENVLP-R3 | 1 | 1/P | |
| 19 | 6LJ58165000 | LBL-ENVLP-FUS-F | 1 | 1/P | |
| 20 | 6LJ58164000 | LBL-ENVLP-FUS-R | 1 | 1/P | |
| 21 | 6LK52015000 | CASE-HLDR-FUS-H370 | 1 | 1/P | |
| 22 | X0-02230000 | S/FHEXM-M3X6-NI | 1 | 10/P | |
| | | | | | |
| | | | | | |
| | | | | | |
| | | | | | |
| | | | | | |
| | | | | | |
| | | | | | |
| | | | | | |
| | | | | | |
| | | | | | |
| | | | | | |
| | | | | | |
| | | | | | |
| | | | | | |
| | | | | | |



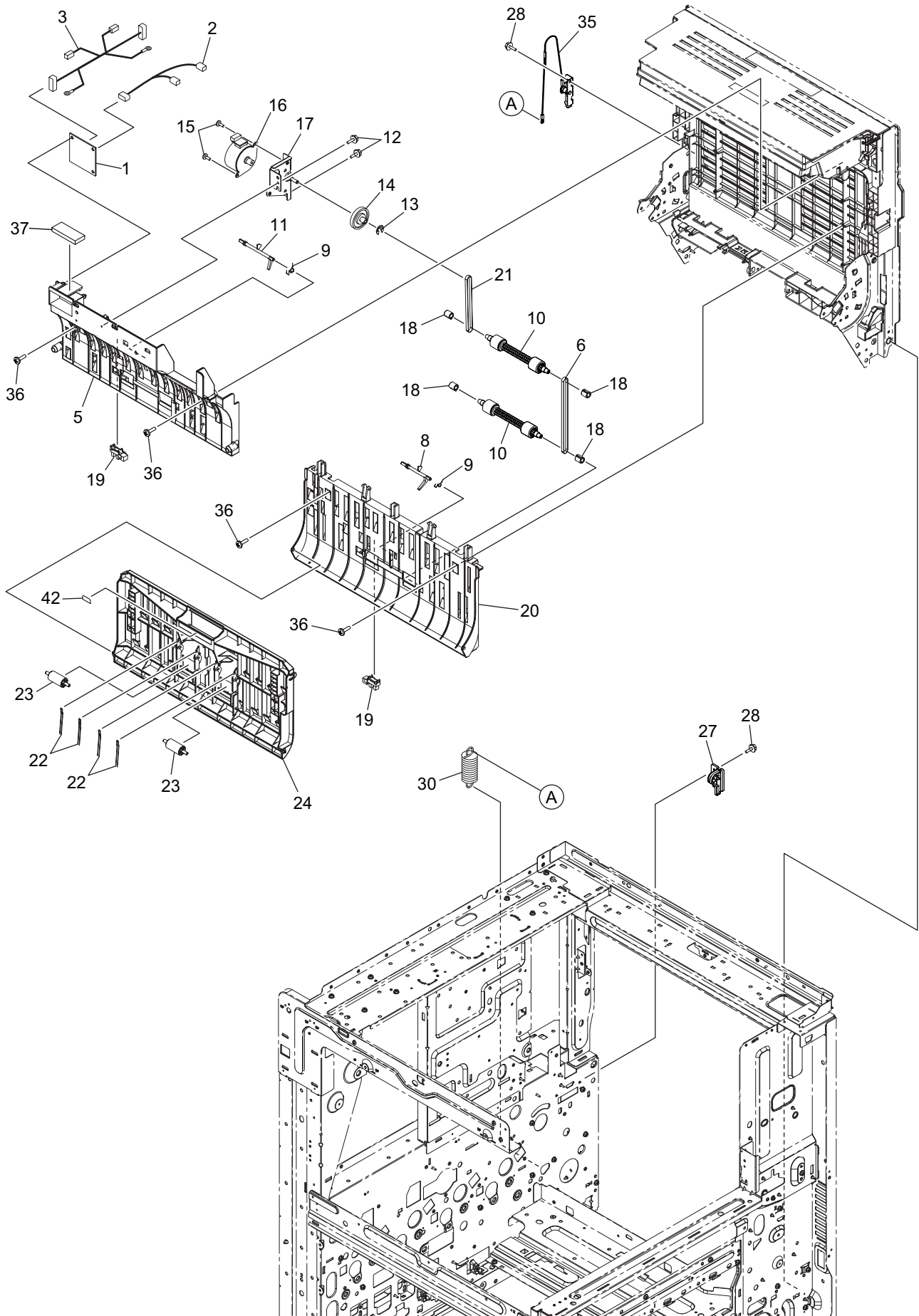
| ITEM No. | PART No. | PART NAME | Q'TY / PAGE | Q'TY / PACK | REMARKS |
|----------|-------------|-----------------------|-------------|-------------|---------|
| 1 | X0-00966000 | RR/E-5-SS | 2 | 10/P | |
| 2 | X0-00077000 | S/PAN/SWWP-M3X8-NI | 8 | 10/P | |
| 3 | 6LJ58045000 | GUIDE-HRNS-AC | 1 | 1/P | |
| 4 | 6LK45756000 | THMS-HTR-H370 | 1 | 1/KP | |
| 5 | 6LJ58079000 | BRKT-THMS-ADJ | 2 | 1/P | |
| 6 | 6LJ58063000 | LVR-PR-H210-F2 | 1 | 1/P | |
| 7 | 6LJ58009000 | ARM-PR-F | 1 | 1/P | |
| 8 | 6LJ58010000 | ARM-PR-R | 1 | 1/P | |
| 9 | 6LJ58042000 | LVR-PR-H210-R | 1 | 1/P | |
| 10 | 6LJ58036000 | SPG-E-PR-H210 | 2 | 1/P | |
| 11 | 6LJ58067000 | GUIDE-PLT-THMST | 1 | 1/P | |
| 12 | 6LJ58021000 | GUIDE-HRNS-THMS | 1 | 1/PP | |
| 13 | X0-00430000 | S/BID-M3X6-NI | 7 | 10/P | |
| 14 | 6LJ58029000 | BRKT-FUSER-POS-R | 1 | 1/P | |
| 15 | 6LJ70398000 | HR-FC30-U | 1 | 1/S | |
| 16 | 6LJ58116000 | 6807ZL1S1C4KZ-C | 2 | 1/P | |
| 17 | 6LJ58001000 | GEAR-HR-H210 | 1 | 1/P | |
| 18 | 6LJ58020000 | BUSH-HR-H210 | 2 | 1/P | |
| 19 | 6LH24640000 | CRR-HT_RLR | 2 | 1/P | |
| 20 | 6LJ70399000 | HR-FC30-L | 1 | 1/S | |
| 21 | 6LJ58132000 | ASYS-FRAME-HR | 1 | 1/C | |
| 22 | 6LK52393000 | ROLL-FUS-GUIDE-D125-S | 6 | 1/P | |
| 23 | 44204394000 | SCREW20XD23 | 6 | 10/P | |
| 24 | 6LJ58072000 | SPG-E-SCRIP-HR-H21X | 5 | 1/P | |
| 25 | 6LJ58130000 | BRKT-SCRIP-HR-H21X | 5 | 1/P | |
| 26 | 6LJ58146000 | ASYS-SCRAPER-HR-H210 | 5 | 5/P | |
| 27 | 6LJ58118000 | GUIDE-FUS-STR | 2 | 1/P | |
| 28 | 6LJ58112000 | WASHER-HR | 1 | 1/P | |
| 29 | 41306325000 | WHEEL-CLN-8 | 4 | 1/P | |
| | | | | | |
| | | | | | |
| | | | | | |
| | | | | | |
| | | | | | |
| | | | | | |
| | | | | | |
| | | | | | |
| | | | | | |
| | | | | | |



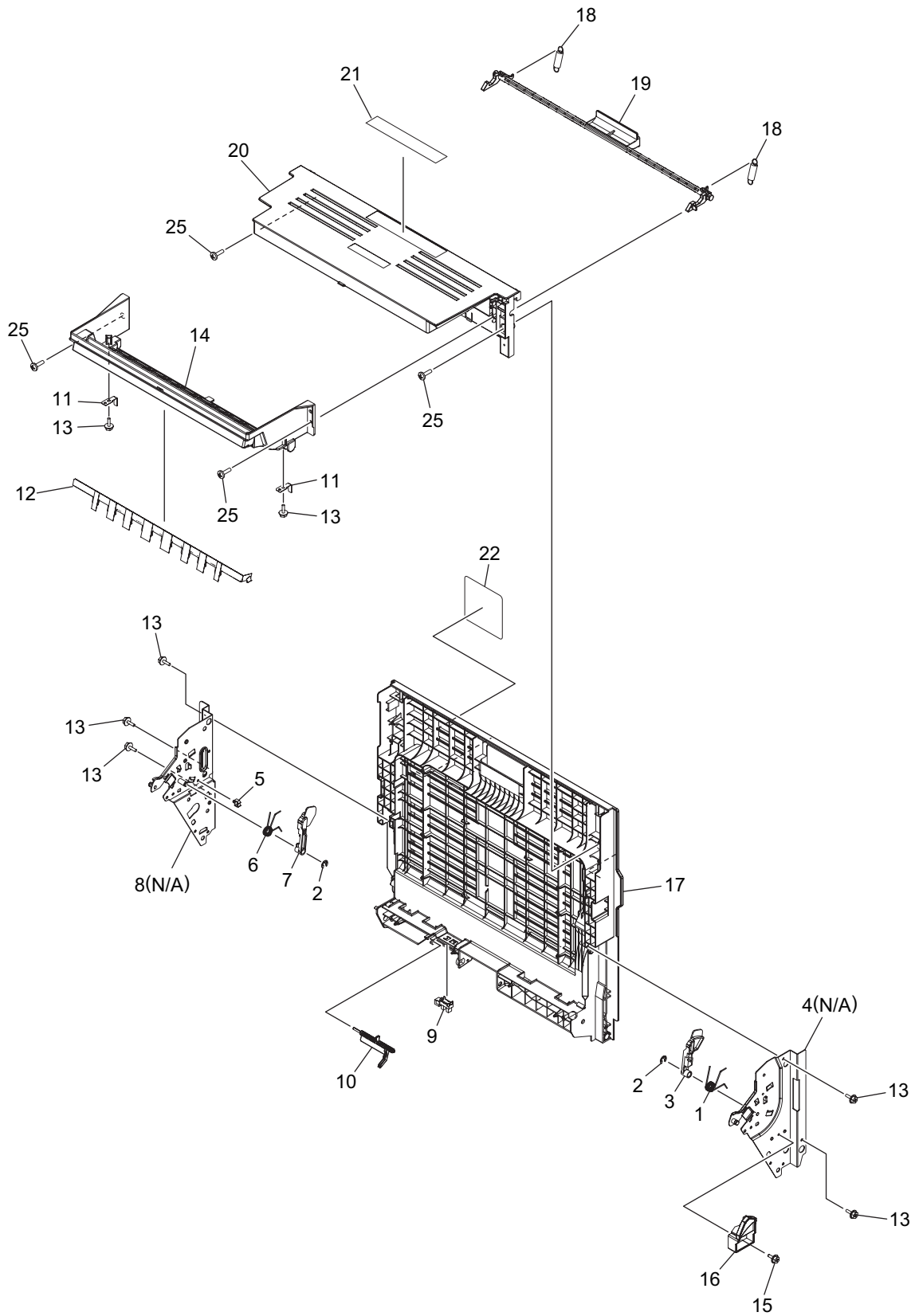
| ITEM No. | PART No. | PART NAME | Q'TY / PAGE | Q'TY / PACK | REMARKS |
|----------|-------------|-------------------------|-------------|-------------|---------|
| 1 | 6LH36359000 | SCREW-M3-D4X2.3 | 4 | 10/P | |
| 2 | 4406326040 | SCREW-D4-18-M3 | 2 | 10/P | |
| 4 | 41316101000 | ROLL-TRANS-IDLE | 2 | 1/P | |
| 5 | 6LH55245000 | PLT-SP-IDLE-47X | 4 | 1/D | |
| 6 | 6LJ58069000 | SPG-T-GUIDE-EXIT-RTN-R | 1 | 1/P | |
| 7 | 41307995000 | LBL/W-FUSER | 1 | 5/KP | |
| 8 | 6LJ58076000 | STAY-PR-H210 | 1 | 1/P | |
| 9 | 6LJ58181000 | GUIDE-PR-ADU-H210 | 1 | 1/PP | |
| 10 | 6LJ58173000 | SHEET-FUS-OPEN-H210-2 | 1 | 5/P | |
| 12 | 6LJ58087000 | SHEET-FUS-HANDLE-H210 | 2 | 1/P | |
| 13 | 6LJ58052000 | GATE-RTN-H210 | 8 | 1/P | |
| 14 | 6LJ58002000 | PIN-HINGE-GATE-FUS-H210 | 1 | 1/P | |
| 16 | X0-00430000 | S/BID-M3X6-NI | 3 | 10/P | |
| 18 | X0-02419000 | S/TPS/FHEXM/R-3X6-ZU3 | 1 | 10/P | |
| 19 | 6LJ58044100 | GUIDE-EXIT-RTN-H370 | 1 | 1/PP | |
| 20 | 6LJ58035000 | STAY-GUIDE-RTN-H210 | 1 | 1/P | |
| 21 | 6LJ02533000 | BRUSH-FUSER-H14X | 1 | 1/C | |
| 22 | 6LJ58049100 | COVER-SNSR-H370 | 1 | 1/PP | |
| 23 | 6LJ58081000 | SPG-T-ACT-FUS-H210 | 1 | 1/P | |
| 24 | 6LJ58005100 | ACTR-EXIT-FUS-H370 | 1 | 1/P | |
| 25 | C0-20495000 | LG2A24BL1 | 1 | 1/C | |
| 26 | 6LJ58051000 | COV-WH-GUIDE-RTN-H210 | 1 | 1/PP | |
| 27 | X0-02247000 | S/TPP/FHEXM-3X8-NI | 2 | 10/P | |
| | | | | | |
| | | | | | |
| | | | | | |
| | | | | | |
| | | | | | |
| | | | | | |
| | | | | | |
| | | | | | |
| | | | | | |
| | | | | | |
| | | | | | |
| | | | | | |
| | | | | | |
| | | | | | |
| | | | | | |
| | | | | | |
| | | | | | |
| | | | | | |
| | | | | | |
| | | | | | |
| | | | | | |
| | | | | | |
| | | | | | |
| | | | | | |



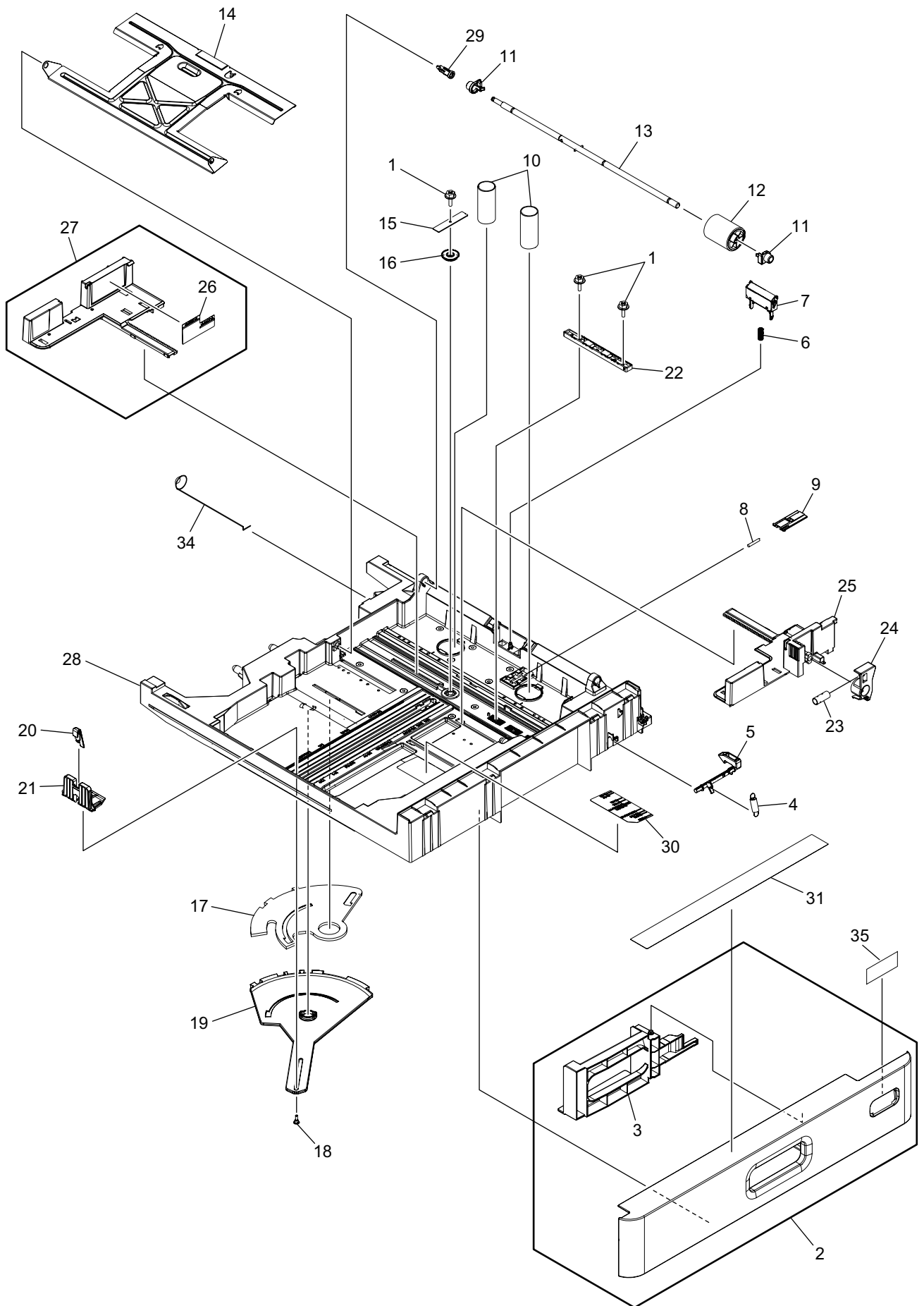
| ITEM No. | PART No. | PART NAME | Q'TY / PAGE | Q'TY / PACK | REMARKS |
|----------|-------------|----------------------|-------------|-------------|---------|
| 1 | 6LA08937000 | SCREW-BKT-DEV | 2 | 10/P | |
| 2 | X0-00964000 | RR/E-3-SS | 2 | 10/P | |
| 3 | 6LJ57809000 | SPG-C-ROLL-EXIT | 2 | 1/P | |
| 4 | 6LK51938000 | SHAFT-ROL-EXIT-L-N | 2 | 1/P | |
| 5 | 6LK52391000 | RLR-EXIT-L-EX | 4 | 1/P | |
| 6 | 6LK52392000 | ROLL-FUS-GUIDE-D11-S | 4 | 1/P | |
| 7 | 4407734980 | BUSH-6-GCB | 2 | 5/P | |
| 8 | 6LK52037000 | SPG-F-GND-EXIT-H370 | 1 | 1/C | |
| 9 | 6LJ57815000 | GUIDE-EXIT-L-H21X | 1 | 1/PP | |
| 10 | 6LJ57803000 | GEAR-10S20-10S16-6 | 1 | 1/P | |
| 17 | 6LK52040000 | ASYB-ROLL-EXIT-H370 | 1 | 1/KP | |
| 18 | 6LA36749000 | ASYS-SCREW-LSU-NI | 1 | 5/P | |
| | | | | | |
| | | | | | |
| | | | | | |
| | | | | | |
| | | | | | |
| | | | | | |
| | | | | | |
| | | | | | |
| | | | | | |
| | | | | | |
| | | | | | |
| | | | | | |
| | | | | | |
| | | | | | |



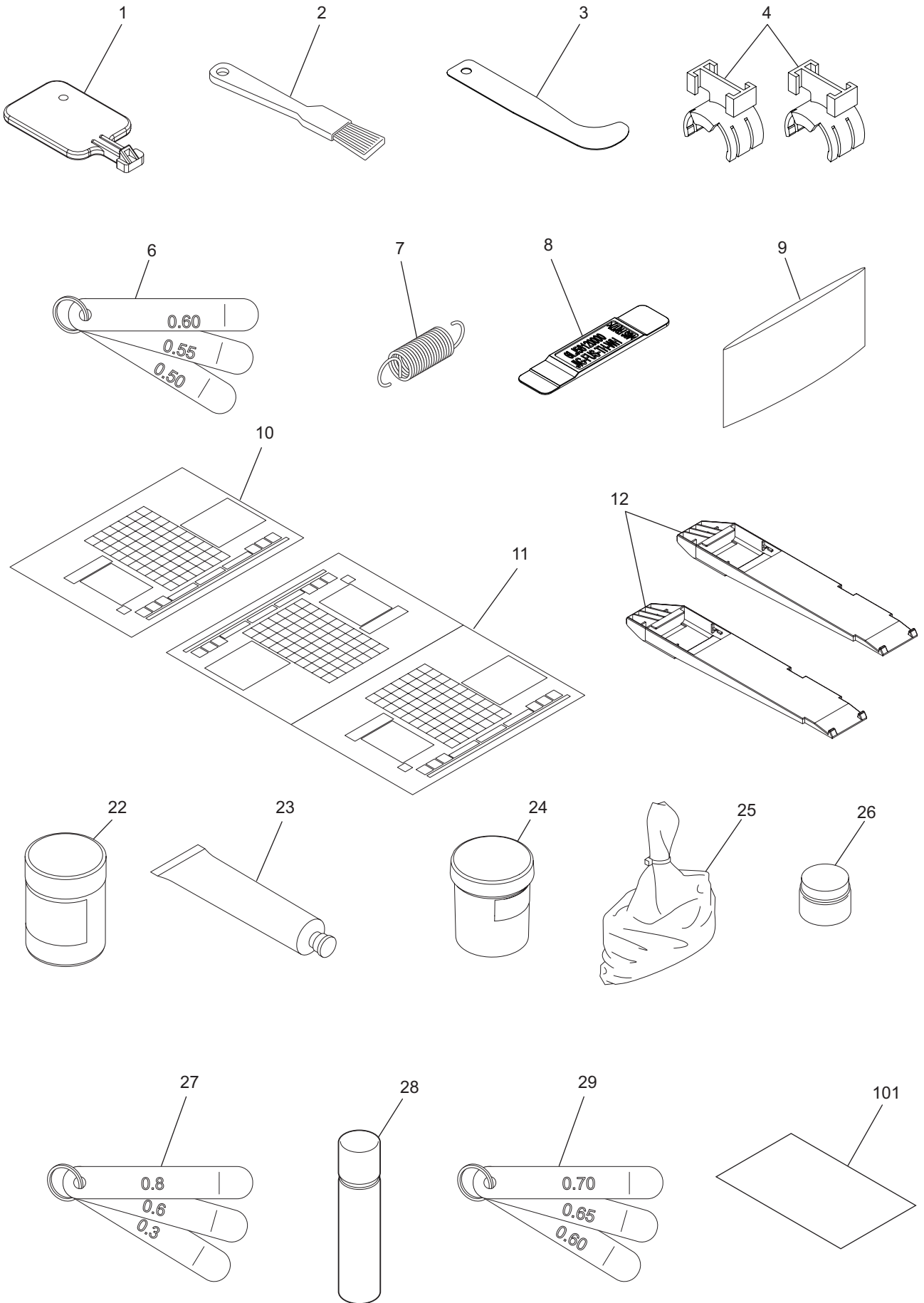
| ITEM No. | PART No. | PART NAME | Q'TY / PAGE | Q'TY / PACK | REMARKS |
|----------|-------------|-----------------------|-------------|-------------|---------|
| 1 | 6LK83326000 | PWA-K-ADU-100 | 1 | 1/SB | |
| 2 | 6LJ60254000 | HRNS-ADU-SNR-210 | 1 | 1/P | |
| 3 | 6LK45394000 | HRNS-ADU-H370 | 1 | 1/P | |
| 5 | 6LJ57317000 | GUIDE-ADU-U-H21X | 1 | 1/PP | |
| 6 | 6LJ57400000 | BLT.SY-S2M-264-4 | 1 | 1/P | |
| 8 | 6LJ57322000 | ACTR-ADU-L-H21X | 1 | 1/P | |
| 9 | 6LJ57327000 | SPG-ACT-ADU-H21X | 2 | 1/P | |
| 10 | 6LJ57331100 | ASYS-ROL-ADU-H21Y | 2 | 1/KP | |
| 11 | 6LJ57323000 | ACTR-ADU-U-H21X | 1 | 1/P | |
| 12 | X0-02247000 | S/TPP/FHEXM-3X8-NI | 2 | 10/P | |
| 13 | X0-00964000 | RR/E-3-SS | 1 | 10/P | |
| 14 | 6LJ57321000 | GEAR-08S40_S2M012-7 | 1 | 1/P | |
| 15 | X0-02069000 | S/TPS/BID-3X6-ZU3 | 2 | 10/P | |
| 16 | 6LJ57330000 | ASYS-MOTR-S-ADU-H21X | 1 | 1/D | |
| 17 | 6LJ57324000 | ASYS-BKT-MOT | 1 | 1/P | |
| 18 | 6LJ57387100 | BUSH-ADU-POMSW | 4 | 1/P | |
| 19 | C0-17839000 | LG2A14BL1 | 2 | 1/C | |
| 20 | 6LJ57316100 | GUIDE-ADU-L-H21X_S | 1 | 1/PP | |
| 21 | 6LJ57399000 | BLT.SY-S2M-200-4 | 1 | 1/P | |
| 22 | 6LJ57315000 | SPR-IDLE-ADU | 4 | 1/P | |
| 23 | 41316101000 | ROLL-TRANS-IDLE | 2 | 1/P | |
| 24 | 6LJ57318100 | GUIDE-OPEN-L_S | 1 | 1/PP | |
| 27 | 6LJ57386000 | HOLDER-WIRE-ADU-H21X | 1 | 1/P | |
| 28 | X0-02420000 | S/TPS/FHEXM/R-3X8-ZU3 | 2 | 10/P | |
| 30 | 6LJ57406000 | SPG-ADU-WIRE | 1 | 1/P | |
| 35 | 6LJ57352100 | ASYB-BKT-HOLD-WIRE2 | 1 | 1/P | |
| 36 | 6LA80090000 | S/TPP/BID-3X8-NI | 4 | 5/P | |
| 37 | 6LJ57368000 | DAMP-ADU-INNER | 1 | 1/P | |
| 42 | 6LJ54687000 | LBL-HNDL-WTNR-21X | 1 | 1/P | |
| | | | | | |
| | | | | | |
| | | | | | |
| | | | | | |
| | | | | | |
| | | | | | |
| | | | | | |
| | | | | | |
| | | | | | |
| | | | | | |
| | | | | | |
| | | | | | |
| | | | | | |
| | | | | | |
| | | | | | |
| | | | | | |
| | | | | | |
| | | | | | |
| | | | | | |
| | | | | | |
| | | | | | |
| | | | | | |
| | | | | | |
| | | | | | |



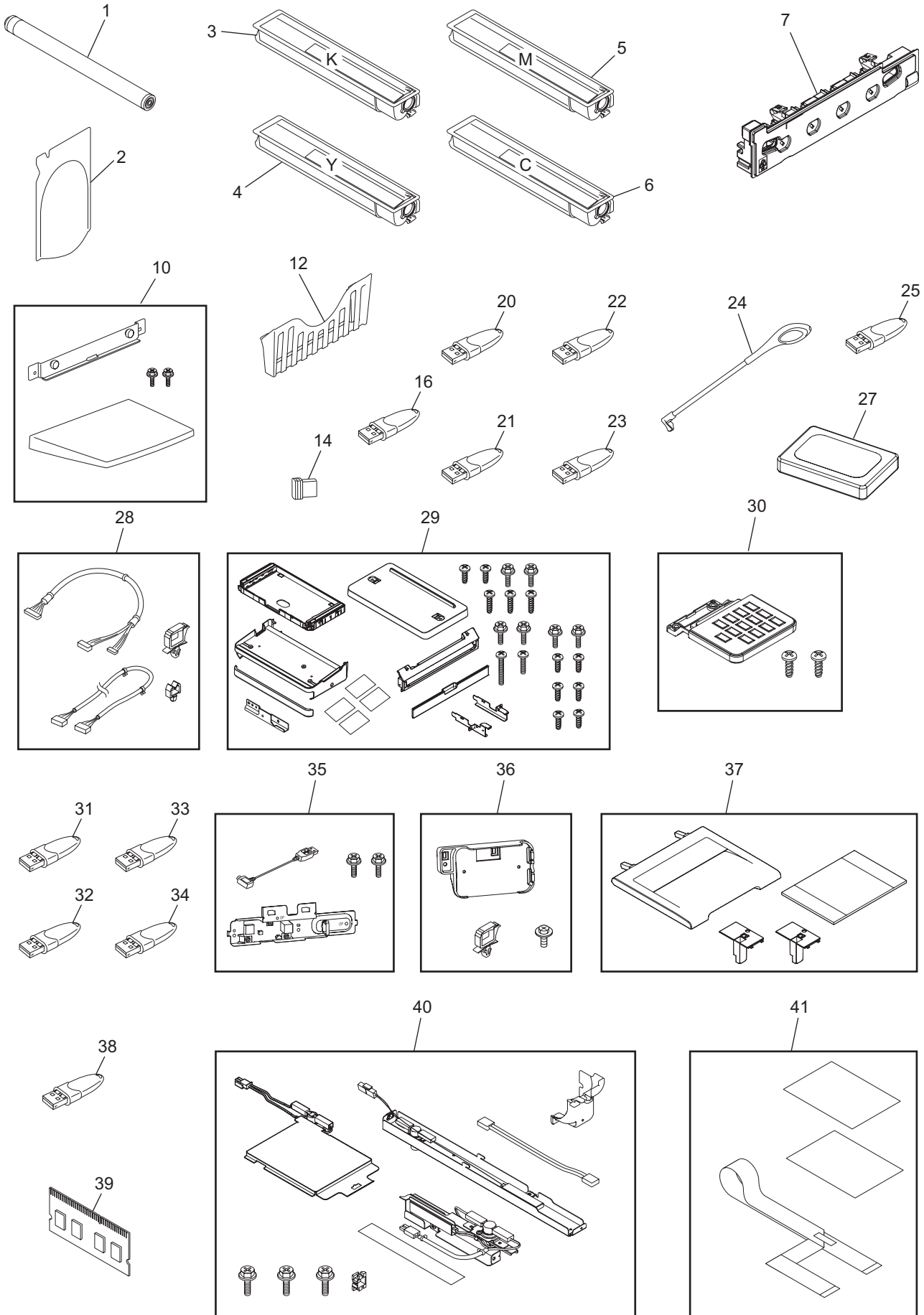
| ITEM No. | PART No. | PART NAME | Q'TY / PAGE | Q'TY / PACK | REMARKS |
|----------|-------------|-------------------------|-------------|-------------|-------------------------|
| 1 | 6LJ55948000 | SPG-T-TRU-RTN-F-2 | 1 | 1/P | |
| 2 | X0-00966000 | RR/E-5-SS | 2 | 10/P | |
| 3 | 6LJ55928000 | PUSHER-TRU-OPEN-F | 1 | 1/P | |
| 4 | 6LJ57407000 | ASYS-FRM-ADU-F-H21X | 1 | N/A*** | |
| 5 | F0-00044000 | UAMS-05-2 | 1 | 5/P | |
| 6 | 6LJ55949000 | SPG-T-TRU-RTN-R-2 | 1 | 1/P | |
| 7 | 6LJ55929000 | PUSHER-TRU-OPEN-R | 1 | 1/P | |
| 8 | 6LJ57308000 | ASYS-FRM-ADU-R-H21X | 1 | N/A*** | |
| 9 | C0-17839000 | LG2A14BL1 | 1 | 1/C | |
| 10 | 6LJ57135100 | ACTR-EMPTY-SFB-H373 | 1 | 1/P | |
| 11 | 6LJ58068000 | SPL-GUIDE-EXIT-LOW-H210 | 2 | 1/P | |
| 12 | 6LJ57825000 | ASYS-BRUSH-EXIT-H21X | 1 | 1/KP | |
| 13 | X0-02247000 | S/TPP/FHEXM-3X8-NI | 7 | 10/P | |
| 14 | 6LJ57341000 | GUIDE-EXIT-ADU | 1 | 1/PP | |
| 15 | X0-02420000 | S/TPS/FHEXM/R-3X8-ZU3 | 1 | 10/P | |
| 16 | 6LJ55901100 | LOCK-CAM-TRU-F_S | 1 | 1/P | |
| 17 | 6LJ57381100 | COVER-ADU-H21X-LB | 1 | 1/PP | |
| 18 | 6LH51228000 | SPG-C-COV-SIDE | 2 | 1/P | |
| 19 | 6LJ57393100 | LEVER-ADU-H370 | 1 | 1/PP | |
| 20 | 6LJ57302100 | COVER-ADU-TOPW2 | 1 | 1/PP | |
| 21 A | 6LK52029000 | LBL-HOT-COV-UPR-K | 1 | 1/KP | NAD,MJD,ASD,AUD,ARD |
| 21 B | 6LK52031000 | LBL-HOT-COV-UPR-K-CND | 1 | 1/KP | CND |
| 21 C | 6LK52030000 | LBL-HOT-COV-UPR-K-TWD | 1 | 1/KP | TWD |
| 22 A | 6LK51611000 | LBL-O-PLACE-COV-H370 | 1 | 1/P | NAD,MJD,ASD,AUD,ARD,TWD |
| 22 B | 6LK51612000 | LBL-O-PLACE-COV-H370-C | 1 | 1/P | CND |
| 25 | 6LA80090000 | S/TPP/BID-3X8-NI | 4 | 5/P | |
| | | | | | |
| | | | | | |
| | | | | | |
| | | | | | |
| | | | | | |
| | | | | | |
| | | | | | |
| | | | | | |
| | | | | | |



| ITEM No. | PART No. | PART NAME | Q'TY / PAGE | Q'TY / PACK | REMARKS |
|----------|-------------|--------------------------|-------------|-------------|-------------------------|
| 1 | X0-02247000 | S/TPP/FHEXM-3X8-NI | 3 | 10/P | |
| 2 | 6LK51224000 | ASYB-COVER-CST-H370 | 1 | 1/PP | |
| 3 | 6LJ56838200 | HNDL-CST-H370 | 1 | 1/PP | |
| 4 | 6LJ56839000 | SPG-E-8R9XR9X29R5 | 1 | 1/P | |
| 5 | 6LK51257000 | LVR-CST-L-H37X_E_SHAFT | 1 | 1/P | |
| 6 | 6LJ56901000 | SPG-PAD-CST-H21X | 1 | 1/P | |
| 7 | 6LJ56946000 | ASYS-HOLD-PAD-H21X | 1 | 1/P | |
| 8 | 6LJ56891000 | SPG-LATCH-TRAY-H21X | 1 | 1/P | |
| 9 | 6LJ46939000 | STOP-PLATE-CST-4 | 1 | 1/P | |
| 10 | 6LJ56897000 | SPG-CSSTT-H21X | 2 | 1/P | |
| 11 | 6LJ56811000 | BUSH-CST-H21X | 2 | 1/P | |
| 12 | 6LJ56863000 | ASYS-ROL-CST-H21X | 1 | 1/P | |
| 13 | 6LJ56809000 | ASYS-SHAFT-CST-H21X | 1 | 1/P | |
| 14 | 6LJ57362000 | ASYS-PLATE-CSSTT-G | 1 | 1/P | |
| 15 | 6LK51241000 | PLT-WALL-GEAR-H370 | 1 | 1/P | |
| 16 | 6LE53717000 | GEAR-10S18-8-TRAY | 1 | 1/P | |
| 17 | 6LH05721100 | PUSHER-SIDE-CST-F43X_S | 1 | 1/P | |
| 18 | 6LH05511000 | SCREW-M3X8-3.2-P | 1 | 5/P | |
| 19 | 6LK51261000 | PUSHER-END-CST-H21X | 1 | 1/P | |
| 20 | 6LJ46922000 | SPG-T-END-WALL | 1 | 1/P | |
| 21 | 6LJ56812100 | WALL-CST-END-H21X_S | 1 | 1/P | |
| 22 | 6LJ56815100 | WALL-STOP-H21X_S | 1 | 1/P | |
| 23 | 6LA56695000 | SPC-LVR-WALL-F | 1 | 1/P | |
| 24 | 6LJ56802100 | LEVER-LOCK-WALL-H21X_S | 1 | 1/P | |
| 25 | 6LJ56835100 | SLIDE-WALL-F-H21XR | 1 | 1/PP | |
| 26 | 6LJ56879000 | LBL_O-MAX-CST-H21X | 1 | 1/P | |
| 27 | 6LJ56878100 | ASYS-SLIDE-WALL-R-H21XR | 1 | 1/PP | |
| 28 | 6LJ56800200 | CST-EL-H370R | 1 | 1/PP | |
| 29 | 6LJ56859000 | BUSH-DRV-CST-H21X_L | 1 | 1/P | |
| 30 | 6LK51248000 | LBL-PAPER-SIZE-LDA3-H370 | 1 | 1/P | |
| 31 A | 6LK51250000 | LBL_O-GUIDE-CST-H370 | 1 | 1/KP | NAD,MJD,ASD,AUD,ARD,TWD |
| 31 B | 6LK51251000 | LBL_O-GUIDE-CST-H370-C | 1 | 1/KP | CND |
| 34 | 6LJ56894000 | SPG-EARTH-CST-H21X | 1 | 1/P | |
| 35 A | 6LK51245000 | SIZE-CST-37X-A4 | 1 | 1/KP | MJD,ASD,AUD,ARD,CND,TWD |
| 35 B | 6LK51245100 | SIZE-CST-37X-LT | 1 | 1/KP | NAD |
| | | | | | |
| | | | | | |
| | | | | | |
| | | | | | |
| | | | | | |
| | | | | | |
| | | | | | |
| | | | | | |
| | | | | | |

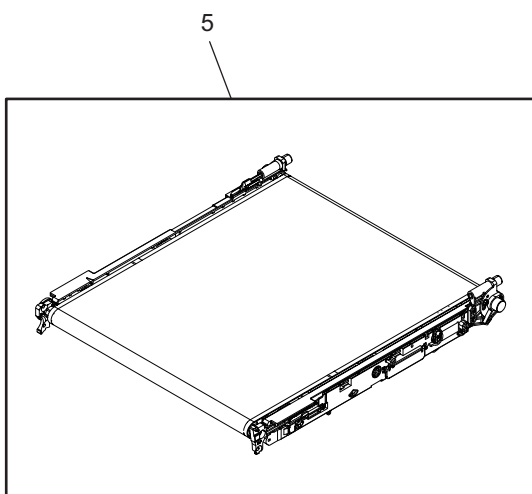
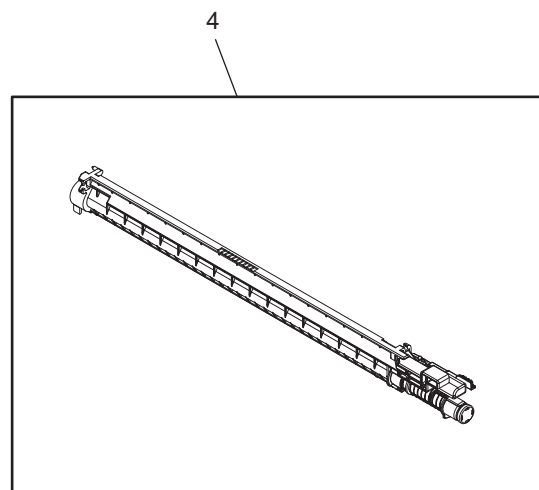
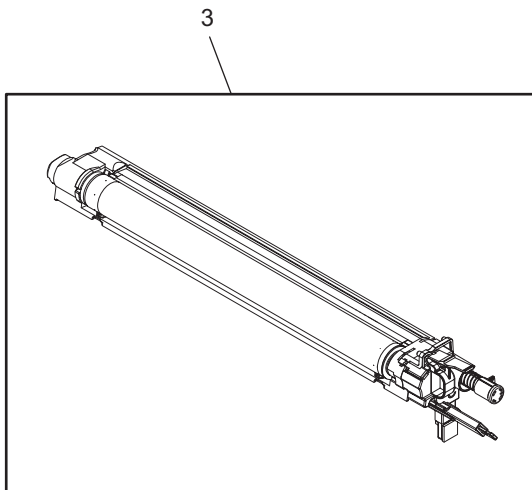
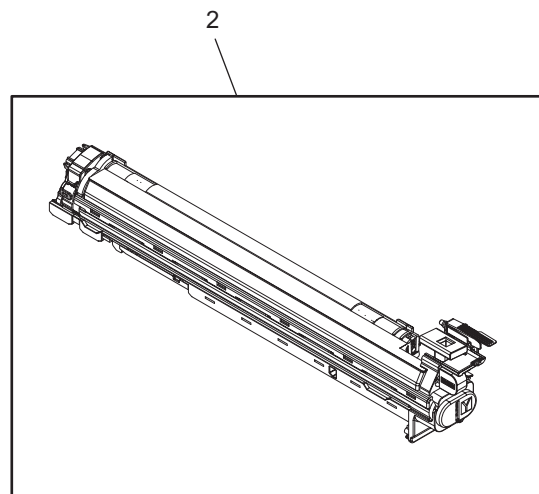
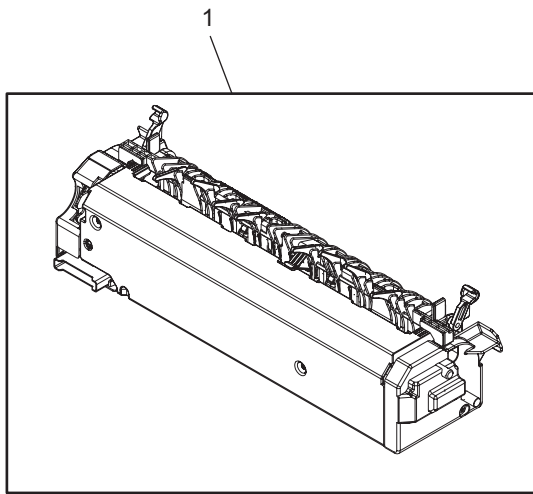


| ITEM No. | PART No. | PART NAME | Q'TY / PAGE | Q'TY / PACK | REMARKS |
|----------|-------------|-------------------------|-------------|-------------|-----------|
| 1 | 6LJ71619000 | JIG-SW-FCOV-H21X | 1 | 1/P | |
| 2 | 4407915710 | BRUSH-33 | 1 | 1/P | |
| 3 | 6LH02876000 | JIG-CLNR-DOCTOR | 1 | 1/P | |
| 4 | 6LJ59898000 | HOLDER-WIRE-PLY-H21X | 2 | 1/P | |
| 6 | 6LA48402000 | ASY-JIG-DOC-350 | 1 | 1/P | |
| 7 | 44202661000 | SPE-MOT-TNS | 1 | 1/P | |
| 8 | 6LJ58120000 | JIG-FUS-TH-WH | 1 | 1/P | |
| 9 | 4408600920 | BAG-DRUM | 1 | 5/P | |
| 10 | 6LE50524000 | CHART-COLOR-A4 | 1 | 1/KP | |
| 11 | 6LH17283000 | CHART-COLOR-A3 | 1 | 1/KP | |
| 12 | 6LJ54689000 | JIG-GUIDE-HRNS-COVER | 2 | 2/P | |
| 22 | 6LA00019000 | GREASE-HP300-S | 1 | 1/P | |
| 23 | 41303711000 | ASM-PG-ALV2 | 1 | 1/P | |
| 24 | 6LE36904000 | MOLYKOTE_EM-30L_100G | 1 | 1/P | |
| 25 | 6LJ18300000 | P-POWDER-PPT001 | 1 | 1/P | |
| 26 | 41303710000 | ASM-PG-GE334C-S | 1 | 1/P | |
| 27 | 6LJ58791000 | ASYB-JIG-GAP-SCRIP | 1 | 1/P | |
| 28 | 4408327820 | K-BTL-SILICON-S | 1 | 1/P | |
| 29 | 6LE23720000 | ASYB-JIG-GAP-DOC-SL-380 | 1 | 1/P | |
| 101 A | 4408687160 | CHART-15-1-A4 | 1 | 10/KP | A4 series |
| 101 B | 4408687180 | CHART-15-1-LT | 1 | 10/KP | LT series |
| | | | | | |
| | | | | | |
| | | | | | |
| | | | | | |
| | | | | | |
| | | | | | |
| | | | | | |
| | | | | | |
| | | | | | |
| | | | | | |
| | | | | | |
| | | | | | |

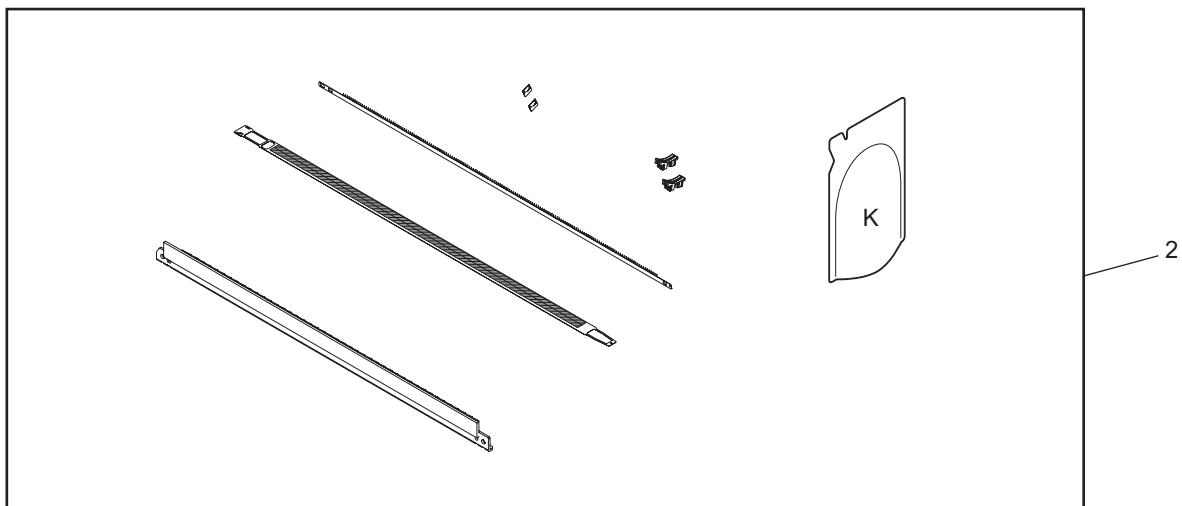
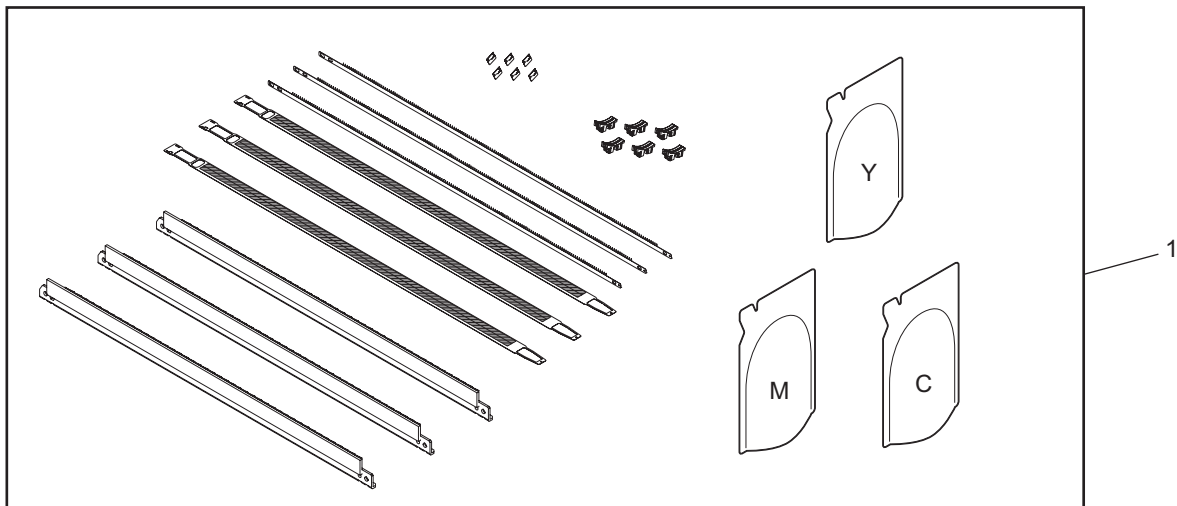


| ITEM No. | PART No. | PART NAME | Q'TY / PAGE | Q'TY / PACK | REMARKS |
|----------|-------------|------------------|-------------|-------------|--|
| 1 | 6LJ70402200 | OD-FC30N | 1 | 1/S | DRUM |
| 2 A | 6LJ70994300 | D-FC30-K | 1 | 1/S | DEVELOPER (K) |
| 2 B | 6LJ70994000 | D-FC30-Y | 1 | 1/S | DEVELOPER (Y) |
| 2 C | 6LJ70994100 | D-FC30-M | 1 | 1/S | DEVELOPER (M) |
| 2 D | 6LJ70994200 | D-FC30-C | 1 | 1/S | DEVELOPER (C) |
| 3 A | 6AK00000414 | PS-ZTFC210UK(1) | 1 | SUPPLY | TONER (K) for NAD,TCL |
| 3 B | 6AJ00000162 | PS-ZTFC210EK(1) | 1 | SUPPLY | TONER (K) for MJD |
| 3 C | 6AG00008510 | PS-ZTFC415PK(1) | 1 | SUPPLY | TONER (K) for AUD,ASD |
| 3 D | 6AG00008513 | PS-ZTFC415PKM(1) | 1 | SUPPLY | TONER (K) for ASD |
| 3 E | 6AG00008560 | PS-ZTFC415CK(1) | 1 | SUPPLY | TONER (K) for CND |
| 3 F | 6AG00008563 | PS-ZTFC415CKS(1) | 1 | SUPPLY | TONER (K) for CND |
| 3 G | 6AG00008533 | PS-ZTFC415TK(1) | 1 | SUPPLY | TONER (K) for TWD |
| 4 A | 6AK00000420 | PS-ZTFC210UY(1) | 1 | SUPPLY | TONER (Y) for NAD,TCL |
| 4 B | 6AJ00000168 | PS-ZTFC210EY(1) | 1 | SUPPLY | TONER (Y) for MJD |
| 4 C | 6AG00008523 | PS-ZTFC415PY(1) | 1 | SUPPLY | TONER (Y) for AUD,ASD |
| 4 D | 6AG00008527 | PS-ZTFC415PYM(1) | 1 | SUPPLY | TONER (Y) for ASD |
| 4 E | 6AG00008573 | PS-ZTFC415CY(1) | 1 | SUPPLY | TONER (Y) for CND |
| 4 F | 6AG00008576 | PS-ZTFC415CYS(1) | 1 | SUPPLY | TONER (Y) for CND |
| 4 G | 6AG00008540 | PS-ZTFC415TY(1) | 1 | SUPPLY | TONER (Y) for TWD |
| 5 A | 6AK00000417 | PS-ZTFC210UM(1) | 1 | SUPPLY | TONER (M) for NAD,TCL |
| 5 B | 6AJ00000165 | PS-ZTFC210EM(1) | 1 | SUPPLY | TONER (M) for MJD |
| 5 C | 6AG00008517 | PS-ZTFC415PM(1) | 1 | SUPPLY | TONER (M) for ASD,AUD |
| 5 D | 6AG00008520 | PS-ZTFC415PMM(1) | 1 | SUPPLY | TONER (M) for ASD |
| 5 E | 6AG00008567 | PS-ZTFC415CM(1) | 1 | SUPPLY | TONER (M) for CND |
| 5 F | 6AG00008570 | PS-ZTFC415CMS(1) | 1 | SUPPLY | TONER (M) for CND |
| 5 G | 6AG00008536 | PS-ZTFC415TM(1) | 1 | SUPPLY | TONER (M) for TWD |
| 6 A | 6AK00000411 | PS-ZTFC210UC(1) | 1 | SUPPLY | TONER (C) for NAD,TCL |
| 6 B | 6AJ00000159 | PS-ZTFC210EC(1) | 1 | SUPPLY | TONER (C) for MJD |
| 6 C | 6AG00008503 | PS-ZTFC415PC(1) | 1 | SUPPLY | TONER (C) for ASD,AUD |
| 6 D | 6AG00008507 | PS-ZTFC415PCM(1) | 1 | SUPPLY | TONER (C) for ASD |
| 6 E | 6AG00008553 | PS-ZTFC415CC(1) | 1 | SUPPLY | TONER (C) for CND |
| 6 F | 6AG00008557 | PS-ZTFC415CCS(1) | 1 | SUPPLY | TONER (C) for CND |
| 6 G | 6AG00008530 | PS-ZTFC415TC(1) | 1 | SUPPLY | TONER (C) for TWD |
| 7 A | 6AG00004477 | PS-TBFC30 | 1 | SUPPLY | for NAD,TCL,AUD,ASD,ARD |
| 7 B | 6AG00004479 | PS-TBFC30E | 1 | SUPPLY | for MJD |
| 7 C | 6AG00004478 | PS-TBFC30C | 1 | SUPPLY | for CND |
| 10 A | 6AR00000925 | KK-5005 | 1 | SUPPLY | Work Tray (All except CND) |
| 10 B | 6AR00000926 | KK-5005C | 1 | SUPPLY | Work Tray (CND) |
| 12 A | 6AR00001025 | KK-5008 | 1 | SUPPLY | Manual Pocket (All except CND) |
| 12 B | 6AR00001026 | KK-5008C | 1 | SUPPLY | Manual Pocket (CND) |
| 14 A | 6AG00007054 | GN-4020 | 1 | SUPPLY | Wireless LAN Module (All except ARD,CND,TWD) |
| 14 B | 6AG00007055 | GN-4020C | 1 | SUPPLY | Wireless LAN Module (CND) |
| 16 | 6A000001051 | GP-1070 | 1 | SUPPLY | Data Overwrite enabler (All except NAD,ARD) |
| 20 | 6A000001055 | GS-1010 | 1 | SUPPLY | Meta scan enabler |
| 21 | 6A000001057 | GS-1020 | 1 | SUPPLY | External interface enabler (NAD,ARD,TWD) |
| 22 | 6A000001053 | GP-1080 | 1 | SUPPLY | IPSec enabler (All except CND) |
| 23 | 6A000001309 | GS-1007 | 1 | SUPPLY | Unicode Font Enabler |
| 24 | 6A000001733 | KK-2560 | 1 | SUPPLY | Accessible Arm |
| 25 | 6A000001353 | GP-1190A | 1 | SUPPLY | Hardcopy Security Printing |
| 27 | 6AG00006088 | GE-1230 | 1 | SUPPLY | FIPS HDD option (All except CND) |
| 28 | 6A000001699 | GQ-1280 | 1 | SUPPLY | Harness kit for coin controller |
| 29 A | 6AH00000946 | GR-1330 | 1 | SUPPLY | Accessory Tray (All except CND) |
| 29 B | 6AH00000947 | GR-1330C | 1 | SUPPLY | Accessory Tray (CND) |
| 30 A | 6AG00008435 | GR-1340 | 1 | SUPPLY | Panel Ten Key Option (All except CND) |
| 30 B | 6AG00008436 | GR-1340C | 1 | SUPPLY | Panel Ten Key Option (CND) |
| 31 | 6A000001700 | GS-1080 | 1 | SUPPLY | Embedded OCR Enabler (for 1 license) |
| 32 | 6A000001711 | GS-1085 | 1 | SUPPLY | Embedded OCR Enabler (for 5 licenses) |
| 33 | 6A000001715 | GS-1090 | 1 | SUPPLY | Multi Station Print Enabler (for 1 license) |
| 34 | 6A000001704 | GS-1095 | 1 | SUPPLY | Multi Station Print Enabler (for 5 licenses) |
| 35 A | 6AG00008441 | GR-1310 | 1 | SUPPLY | USB Hub Option (All except CND) |
| 35 B | 6AG00008442 | GR-1310C | 1 | SUPPLY | USB Hub Option (CND) |
| 36 A | 6AG00008429 | GR-1320 | 1 | SUPPLY | Card Reader Holder (All except CND) |
| 36 B | 6AG00008430 | GR-1320C | 1 | SUPPLY | Card Reader Holder (CND) |

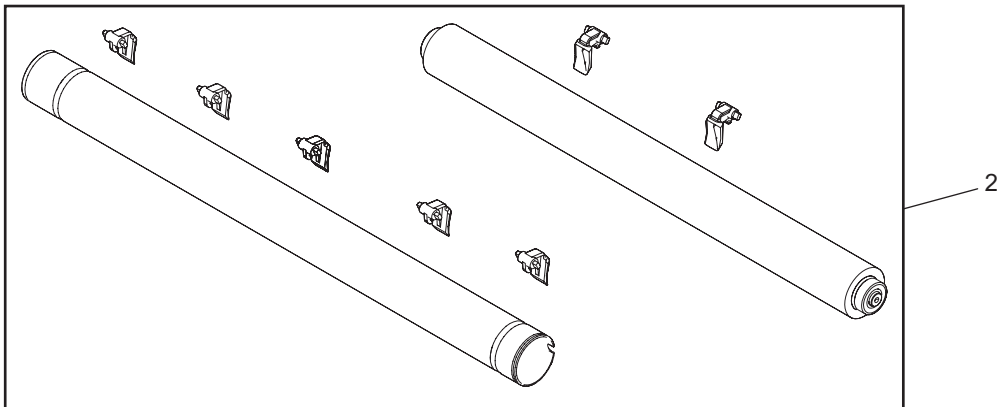
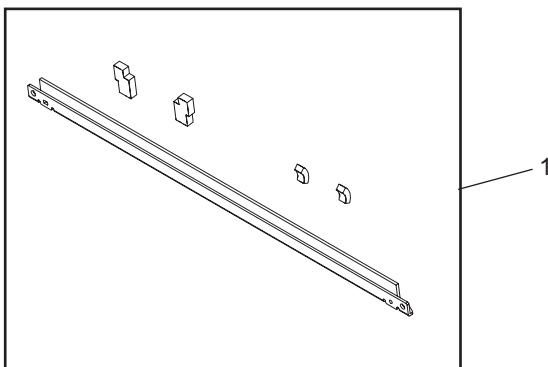
| ITEM No. | PART No. | PART NAME | Q'TY / PAGE | Q'TY / PACK | REMARKS |
|----------|-------------|------------|-------------|-------------|--|
| 37 A | 6AG00006726 | KA-5005PC | 1 | SUPPLY | Platen Cover (All except CND) |
| 37 B | 6AG00006727 | KA-5005PCC | 1 | SUPPLY | Platen Cover (CND) |
| 38 A | 6A000001757 | GB-2050 | 1 | SUPPLY | Monotype Font enabler (CND,TWD) |
| 38 B | 6B000000909 | GB-2050L | 1 | SUPPLY | License version for Monotype font enabler (All except CND,TWD) |
| 39 | 6A000001760 | GC-1410 | 1 | SUPPLY | 4GB memory option (All except CND) |
| 40 | 6AG00008639 | MF-5015CE | 1 | SUPPLY | Damp heater (CND) |
| 41 | 6A000001748 | GR-1300TW | 1 | SUPPLY | EMI kit (TWD) |
| | | | | | |
| | | | | | |
| | | | | | |
| | | | | | |
| | | | | | |
| | | | | | |
| | | | | | |
| | | | | | |
| | | | | | |
| | | | | | |
| | | | | | |
| | | | | | |
| | | | | | |
| | | | | | |
| | | | | | |
| | | | | | |



| ITEM No. | PART No. | PART NAME | Q'TY / PAGE | Q'TY / PACK | REMARKS |
|----------|-------------|--------------------|-------------|-------------|-----------------|
| 1 A | 6LK55471000 | FUSER-H370-120 | 1 | 1/S | NAD,TWD |
| 1 B | 6LK55471100 | FUSER-H370-230 | 1 | 1/S | AUD,ASD,ARD,CND |
| 1 C | 6LK55471300 | FUSER-H370-230W3B | 1 | 1/S | MJD |
| 2 A | 6LK49057000 | DEV-UNIT-H370-LK | 1 | 1/S | For Black |
| 2 B | 6LK49057100 | DEV-UNIT-H370-LC | 1 | 1/S | For Cyan |
| 2 C | 6LK49057200 | DEV-UNIT-H370-LM | 1 | 1/S | For Magenta |
| 2 D | 6LK49057300 | DEV-UNIT-H370-LY | 1 | 1/S | For Yellow |
| 3 A | 6LK49103000 | CLNR-DRUM-H370-LKR | 1 | 1/S | For Black |
| 3 B | 6LK49103100 | CLNR-DRUM-H370-LCR | 1 | 1/S | For Cyan |
| 3 C | 6LK49103200 | CLNR-DRUM-H370-LMR | 1 | 1/S | For Magenta |
| 3 D | 6LK49103300 | CLNR-DRUM-H370-LYR | 1 | 1/S | For Yellow |
| 4 | 6LK55463000 | TR-BLT_CLN-H370 | 1 | 1/S | |
| 5 | 6LK50423000 | TR-BLT-FC505 | 1 | 1/S | |
| | | | | | |
| | | | | | |
| | | | | | |
| | | | | | |
| | | | | | |
| | | | | | |
| | | | | | |
| | | | | | |
| | | | | | |
| | | | | | |
| | | | | | |
| | | | | | |
| | | | | | |
| | | | | | |
| | | | | | |
| | | | | | |
| | | | | | |
| | | | | | |
| | | | | | |
| | | | | | |
| | | | | | |
| | | | | | |
| | | | | | |
| | | | | | |



| ITEM No. | PART No. | PART NAME | Q'TY / PAGE | Q'TY / PACK | REMARKS |
|----------|-------------|------------------|-------------|-------------|---------|
| 1 | 6LK49078000 | DEV-KIT-FC200CLR | 1 | 1/S | |
| 2 | 6LK49079000 | DEV-KIT-FC200K | 1 | 1/S | |
| | | | | | |
| | | | | | |
| | | | | | |
| | | | | | |
| | | | | | |
| | | | | | |
| | | | | | |
| | | | | | |
| | | | | | |
| | | | | | |
| | | | | | |
| | | | | | |
| | | | | | |
| | | | | | |



| ITEM No. | PART No. | PART NAME | Q'TY / PAGE | Q'TY / PACK | REMARKS |
|----------|----------------------------|-------------------------------|-------------|-------------|---------|
| 1 2 | 6LJ70575000 6LJ70649000 | TBU-KIT-FC50 FR_R-KIT-FC30 | 1 1 | 1/S 1/S | |
| | | | | | |
| | | | | | |
| | | | | | |
| | | | | | |
| | | | | | |
| | | | | | |
| | | | | | |
| | | | | | |
| | | | | | |
| | | | | | |
| | | | | | |
| | | | | | |
| | | | | | |
| | | | | | |
| | | | | | |

TOSHIBA

TOSHIBA TEC CORPORATION

1-11-1, OSAKI, SHINAGAWA-KU, TOKYO, 141-8562, JAPAN