

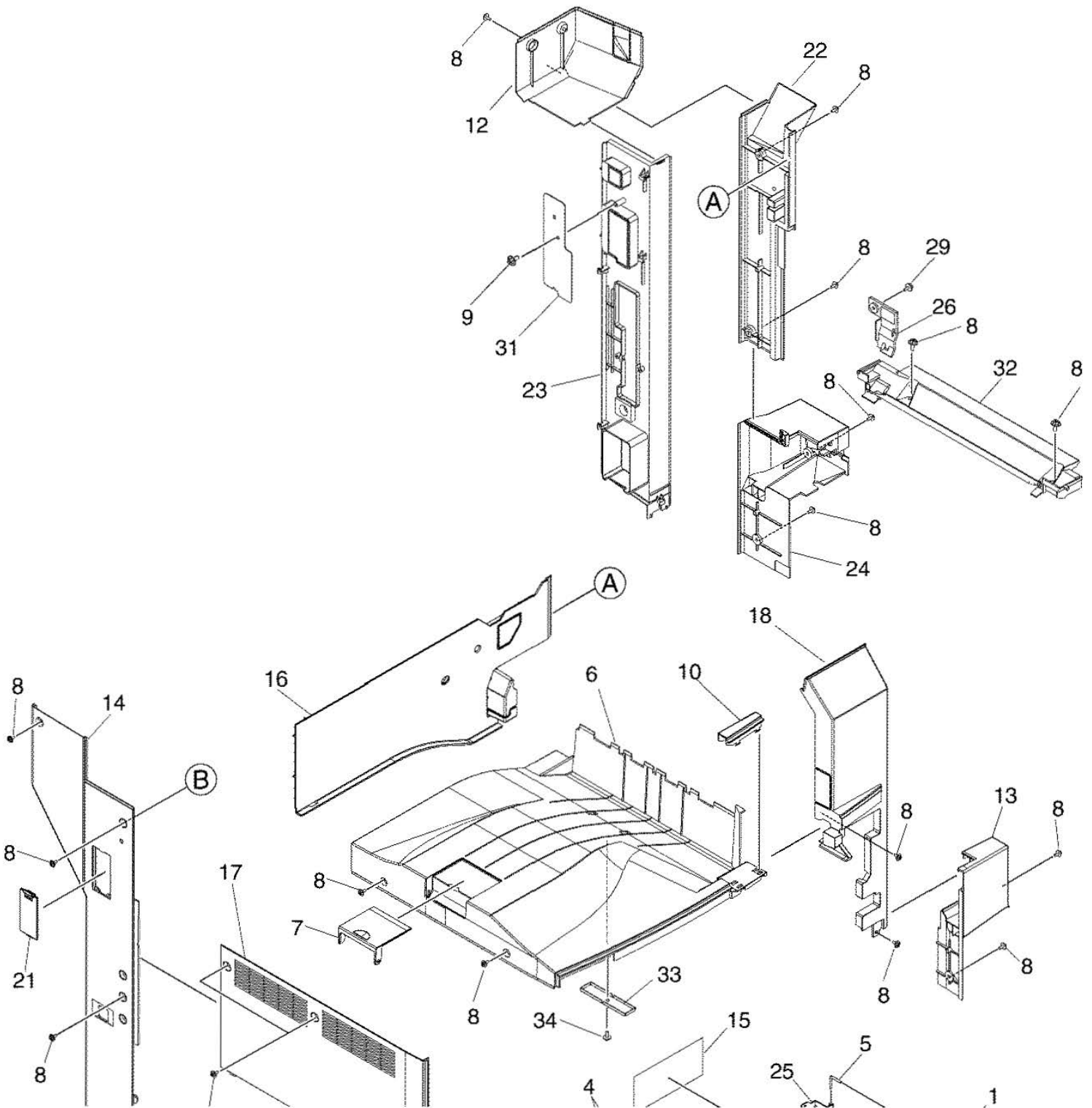
Model:

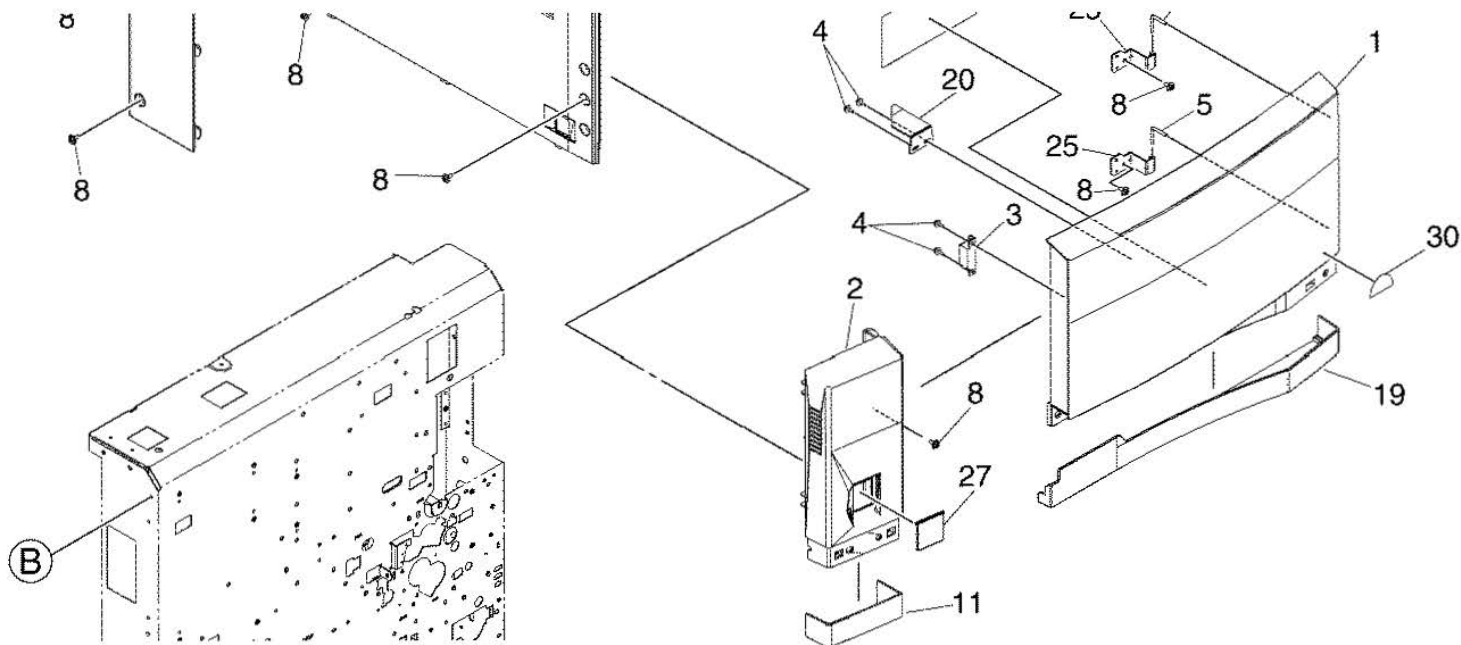
Page:

Issue

Date:

Item No.	Parts No.	Parts Name	QTY / Unit	QTY / Pack	Part remarks	Catg.	Serial No.	P	I	R	BSI No.	Change	PC Board
1A	6LA80724000	ASYS-COV-FRT-UPR-23	1	1/PP	e-STUDIO230			-	-	-	G04I476		
1B	6LA80724100	ASYS-COV-FRT-UPR-28	1	1/PP	e-STUDIO280			-	-	-	G04I476		
1C	6LA80716000	ASYS-COV-FRT-UPR-20L	1	1/PP	e-STUDIO200L			-	-	-	G04I476		
1D	6LA80716100	ASYS-COV-FRT-UPR-23L	1	1/PP	e-STUDIO230L			-	-	-	G04I476		
1E	6LA80716300	ASYS-COV-FRT-UPR-28S	1	1/PP	e-STUDIO280S			-	-	-	G04I476		
1F	6LA80716200	ASYS-COV-FRT-UPR-23S	1	1/PP	e-STUDIO230S			-	-	-	G04I476		
2	6LA80745000	ASYS-COV-FRT-STY-UPR	1	1/PP									
3	44200424000	MG-CATCH-44	1	1/P								To: 3-1	
3-1	F0-01393000	CA-0124B	1	1/P				C	E	F	G05E930	From: 3	
4	6LA08917000	S/TPP/HEX-3*8-NI	4	10/P								To: 4-1	
4-1	X0-02247000	S/TPP/FH/FEXM-3X8-NI	4	10/P				C	E	F	G05E930	From: 4	
5	6LA60573000	PIN-COVER-FRT	2	1/P									
6	6LA80702000	COVER-TRAY	1	1/PP									
7	6LA60622000	COVER-STOP-PAPER	2	1/P								To: 7-1	
7-1	6LA80719000	COVER-STOP-PAPER-371	2	1/P				C	B	D	G05B749	From: 7	
8	6LA08913000	S/TPS/HEX-4*8-NI	23	10/P				-	-	-	G04I476	To: 8-1	
8-1	X0-02243000	S/TPS/FHEXM-4X8-ZU3	23	10/P				C	E	F	G05E996	From: 8	
9	6LA08921000	S/TPP/HEX-4*8-NI	1	10/P								To: 9-1	
9-1	X0-02251000	S/TPP/FHEXM-4X8-NI	1	10/P				C	E	F	G05E930	From: 9	
10	6LA80713000	COVER-TRAY-SUB	1	1/PP									
11	6LA60618000	COVER-FRT-STY-LWR	1	1/P									
12	6LA80963000	COVER-RGT-UPR	1	1/PP									
13	6LA80711000	COVER-HINGE-FRT-373	1	1/PP				-	-	-	G04I476		
14	6LA80802000	COVER-LFT-RER	1	1/PP									
15	6LA91422000	LBL-O-TONER-FRT	1	1/KP									
16	6LA80923000	COVER-TRAY-BCK	1	1/PP									
17	6LA80763000	ASY-COV-LFT	1	1/PP									
18	6LA80782000	COVER-FRAME-FRT	1	1/PP									
19	6LA60614000	COVER-FRT-LWR	1	1/PP									
20	6LA60576000	BRKT-PUSH-SW	1	1/P									
21	6LA60630000	COVER-LFT-RER-LGC	1	1/P									
22	6LA80709000	ASYS-COVER-RGT	1	1/PP									
23	6LA80718000	ASYS-COV-RGT-LFT	1	1/PP				-	-	-	G04I476		
24	6LA80710000	COVER-HINGE-RER-373	1	1/PP				-	-	-	G04I476		
25	6LA83542000	BRKT-HINGE-FRT	2	1/P									
26	6LA88204000	COVER-SIDE-HRNS-373	1	1/P				-	-	-	G04I476		
27	6LA60531000	LID-SW	1	1/P									
28	6LA80707000	ASYS-BRKT-STOPPER	1	1/P								To: 28-1	
28-1	6LA80707000	ASYS-BRKT-STOPPER	0	1/P				B	-	D	G05B749	From: 28	
29	6LA08916000	S/TPP/HEX-3X6-NI	1	10/P				-	-	-	G04I476	To: 29-1	
29-1	X0-02246000	S/TPP/FH/FEXM-3X6-NI	1	10/P				C	E	F	G05E930	From: 29	
30	6LA47530000	LBL-ENERGY-T-PS	1	5/KP									
31	6LA81362000	BRKT-COVER-R-T-371	1	1/P									
32	6LA80714000	COVER-BYPASS-CENTER-373	1	1/PP				-	-	-	G04I476		
33	6LA80729000	BRKT-TRAY-INNER	1	1/P				A	-	D	G05B749		
34	6LA08921000	S/TPP/HEX-4*8-NI	1	10/P				A	-	D	G05B749	To: 34-1	
34-1	X0-02251000	S/TPP/FHEXM-4X8-NI	1	10/P				C	E	F	G05E930	From: 34	



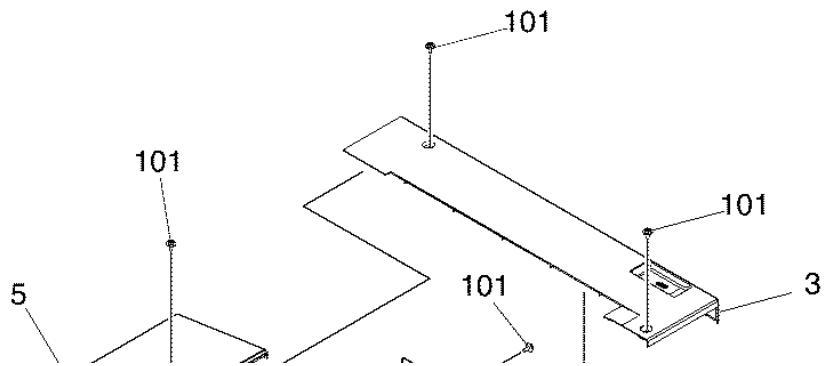


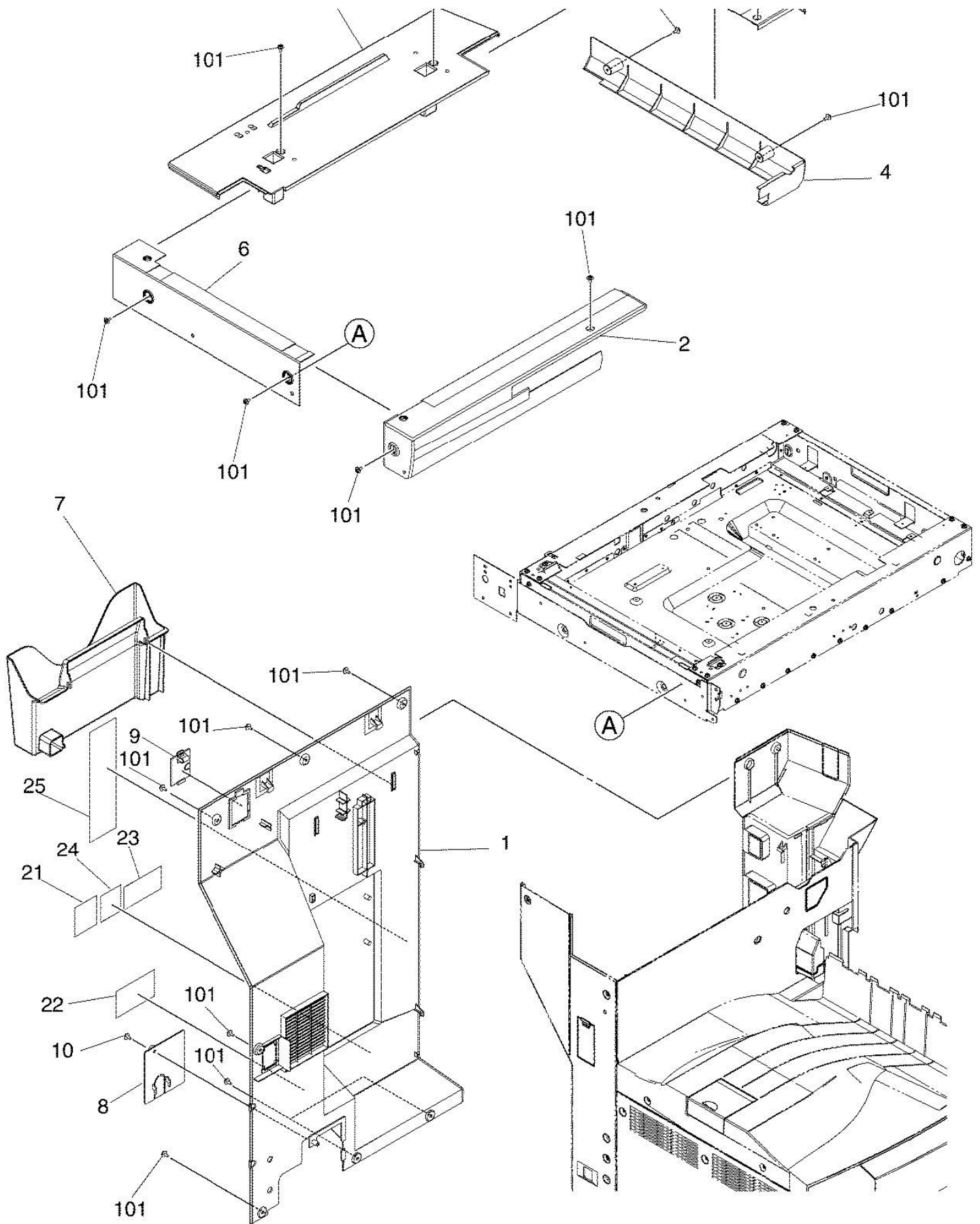
Model:

Page:

Issue  
Date:

Item No.	Parts No.	Parts Name	QTY / Unit	QTY / Pack	Part remarks	Catg.	Serial No.	P	I	R	BSI No.	Change	PC Board
1	6LA80942000	COVER-RER	1	1/PP								To: 1B	
1A	6LA80942000	COVER-RER	1	1/PP	EXCEPT TWD			-	-	-	G05E995	From: 1	
1B	6LA81386000	ASYS-COV-RER-TWD	1	1/PP	TWD			A	-	J	G05E995	From: 1	
2	6LA80903000	COVER-TP-FRT-SCAN	1	1/PP									
3	6LA86482000	ASYS-COVER-TP-RGT-U	1	1/PP								To: 3B	
3A	6LA86482000	ASYS-COVER-TP-RGT-U	1	1/PP	EXCEPT TWD			-	-	-	G05E995	From: 3	
3B	6LA86540000	ASYS-COVER-TP-R-U-371-TWD	1	1/PP	TWD			A	-	J	G05E995	From: 3	
4	6LA80884000	COVER-TP-RGT-SCAN-L	1	1/PP									
5	6LA80863000	COVER-TP-RER-SCAN	1	1/PP									
6	6LA80843000	COVER-TP-LFT-SCAN	1	1/PP									
7	6LA60605000	POCKET-MANUAL	1	1/P									
8	6LA80943000	COVER-CNTR	1	1/PP									
<b>9</b>	<b>6LA60633000</b>	<b>COVER-DF-CONECT</b>	<b>1</b>	<b>1/P</b>									
10	6LA08921000	S/TPP/HEX-4*8-NI	1	10/P								To: 10-1	
10-1	X0-02251000	S/TPP/FHEXM-4X8-NI	1	10/P				C	E	F	G05E930	From: 10	
21A	44204604000	LBL-SERVICE-45	1	5/P	NAD,ASD,MJD,ASU								
21B	6LA56227000	LBL-SERVICE-45C	1	5/KP	CND								
21C	6LA15072000	LBL-SERVICE-KR	1	1/KP	KRD			A	-	J	G04L674		
22A	6LA47529000	LBL-LASER	1	1/KP	NAD,ASD,MJD,ASU							To: 22A-1	
22A-1	6LA47529000	LBL-LASER	1	1/KP	NAD,ASD,MJD,ASU, SAD			E	-	J	G04L673	From: 22A	
22B	6LA56226000	LBL-LASER-C	1	5/KP	CND								
22C	6LA15055000	LBL-LASER-KR	1	5/P	KRD			A	-	J	G04L674		
23A	4400740530	LABEL-FCC	1	10/KP	NAD								
24A	4408860880	LABEL-CANADA-A	1	5/P	NAD								
25B	6LA91540000	LBL-PM-371	1	1/KP	MJD								
26B	4400685400	LABEL-CHINA	1	5/P	ASD,ASU							To: 26B-1	
26B-1	4400685400	LABEL-CHINA	1	5/P	ASD,ASU,KRD			-	-	-	G04L674	From: 26B	
101	6LA08913000	S/TPS/HEX-4*8-NI	17	10/P								To: 101-1	
101-1	X0-02243000	S/TPS/FHEXM-4X8-ZU3	17	10/P				C	E	F	G05E996	From: 101	







Model:

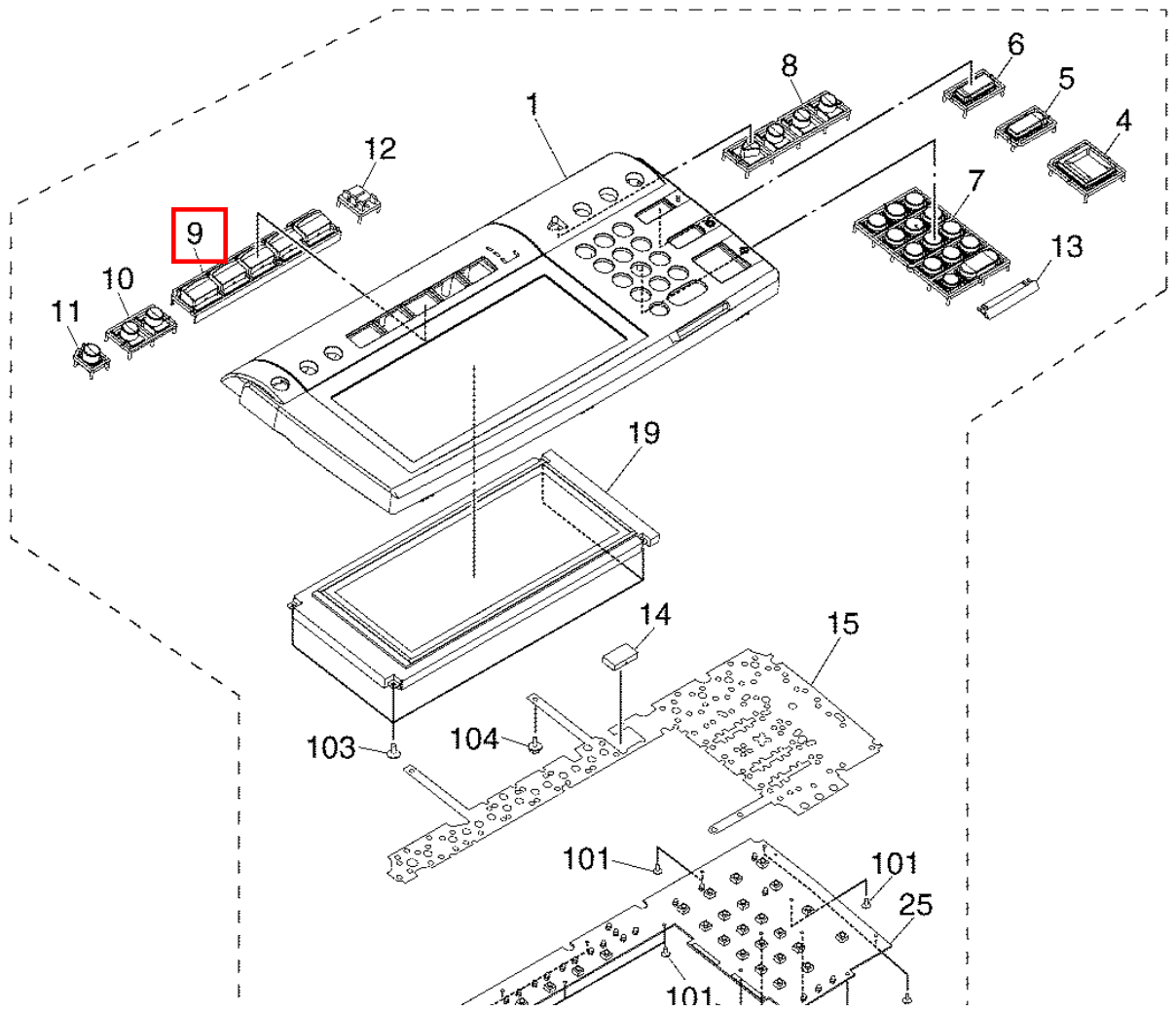
Page:

Issue

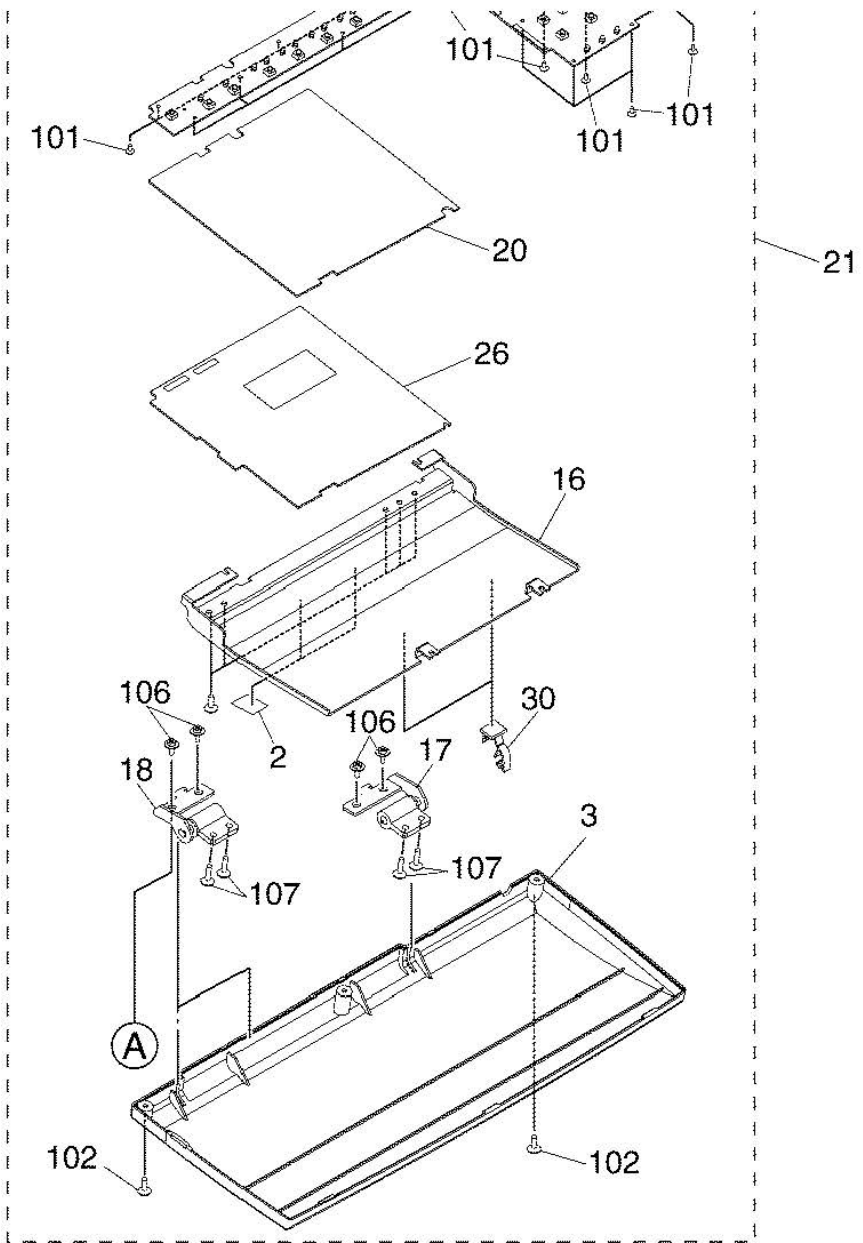
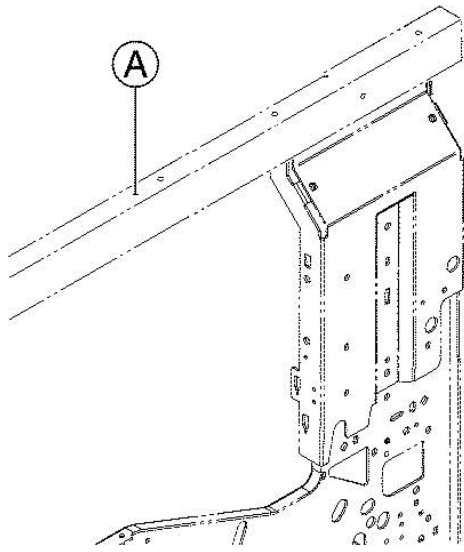
Date:

Item No.	Parts No.	Parts Name	QTY / Unit	QTY / Pack	Part remarks	Catg.	Serial No.	P	I	R	BSI No.	Change	PC Board
1	6LA80104000	ASYS-COV-CONPANE-UPR-U	1	1/PP								To: 1B	
1A	6LA80104000	ASYS-COV-CONPANE-UPR-U	1	1/PP	NAD,ASD,MJD,ASU, TWD			-	-	-	G04J574	To: 1A-1	
1A-1	6LA80104000	ASYS-COV-CONPANE-UPR-U	1	1/PP	NAD,ASD,MJD,ASU, TWD,SAD			E	-	J	G04L673	To: 1A-2	
1A-2	6LA80104000	ASYS-COV-CONPANE-UPR-U	1	1/PP	NAD,ASD,MJD,ASU, TWD,SAD,KRD			-	-	-	G04L674	To: 1A-3	
1A-3	6LA80104000	ASYS-COV-CONPANE-UPR-U	1	1/PP	NAD,ASD,MJD,ASU, TWD,SAD			-	-	-	G05D899	To: 1A-4	
1A-4	6LE46103000	ASYS-COV-CONPANE-UPR-U	1	1/PP	NAD,ASD,MJD,ASU, SAD			C	D	E	G05H220	From: 1A-3	
1B	6LA80108000	ASYS-COV-CONPANE-UPR-C	1	1/PP	CND			C	-	J	G04J574	To: 1B-1	
1B-1	6LE46103200	ASYS-COV-CONPANE-UPR-C	1	1/PP	CND			C	B	E	G05H220	From: 1B	
1C	6LA60474000	ASYS-COV-CONP-UPR-U-KRD	1	1/PP	KRD			C	-	A	G05D899	To: 1C-1	
1C-1	6LE46103400	ASYS-COV-CONPANE-UPR-K	1	1/PP	KRD			C	D	E	G05H220	From: 1C	
1D	6LE46103300	ASYS-COV-CONPANE-UPR-T	1	1/PP	TWD			A	-	D	G05H220		
2	6LA37038000	SHEET-BLIND	2	5/P									
3	6LA37004000	COVER-CONPANE-LWR	1	1/PP									
4	6LA37007000	KEY-START	1	1/D									
5	6LA37008000	KEY-STOP	1	1/D									
6	6LA37009000	KEY-FC	1	1/D									
7	6LA37010000	KEY-TEN	1	1/D									
8	6LA37011000	KEY-FUNCTION-A	1	1/D									
9	6LA37012000	KEY-FUNCTION-B	1	1/D									
10	6LA37013000	KEY-FUNCTION-C	1	1/D									
11	6LA37014000	KEY-HELP	1	1/D									
12	6LA37015000	LID-LED-A	1	1/D									
13	6LA37016000	LID-LED-B	1	1/D									
14	6LA37017000	PLATE-DIFFUSION	5	1/P									
15	6LA37018100	MYLAR-SHIELD	1	1/KP								To: 15-1	
15-1	6LA80200000	MYLAR-SHIELD-371	1	1/KP				C	D	E	G05H220	From: 15	
16	6LA37019000	SHIELD-CONPANE	1	1/D									
17	6LA37027000	ASYS-HINGE-R	2	1/P								To: 17-1	
17-1	6LA80106000	ASYS-HINGE-R	1	1/P				C	D	E	G04J527	From: 17	
18	6LA37028000	ASYS-HINGE-L	1	1/P								To: 18-1	
18-1	6LA80107000	ASYS-HINGE-L	1	1/P				C	D	E	G04J527	From: 18	
19	6LA37029000	ASYS-PNL-TOUCH	1	1/C								To: 19-1	
19-1	6LE46102000	ASYS-PNL-TOUCH-410	1	1/C				C	D	E	G05H220	From: 19	
20	6LE46101000	SHILD-SHEET	1	1/KP				A	-	E	G05H220		
21A	6LA80111000	ASYB-CONPANE-371-U	1	1/C	NAD,ASD,MJD,ASU, SAD			A	-	J	G05H220		
21B	6LA80111300	ASYB-CONPANE-371-T	1	1/C	TWD			A	-	J	G05H220		
21C	6LA80111200	ASYB-CONPANE-371-C	1	1/C	CND			A	-	J	G05H220		
21D	6LA80111400	ASYB-CONPANE-371-K	1	1/C	KRD			A	-	J	G05H220		

25	6LA41769000	PWA-F-KEY-350	1	1/C						To: 25-1
25-1	6LA88752000	PWA-F-KEY-371	1	1/SB				C D E G05H220		From: 25
26	6LA41771100	PWA-F-DSP-350	1	1/SB						To: 26-1
26-1	6LA88761000	PWA-F-DSP-371	1	1/SB				C D E G05H220		From: 26
27	6LA37037000	SPG-F-CONPANE	1	1/P						To: 27-1
27-1	6LA37037000	SPG-F-CONPANE	0	1/P				B D E G04J527		From: 27
28	6LA41824000	HRNS-DSP-LCD-350	1	1/P						To: 28-1
28-1	6LA41824000	HRNS-DSP-LCD-350	0	1/P				B D E G05H220		From: 28
29	6LA37034000	PLATE-HINGE-OPE	3	1/P						To: 29-1
29-1	6LA37034000	PLATE-HINGE-OPE	0	1/P				B D E G04J527		From: 29
30	F0-01213000	EB-6U	2	5/P						
101	X0-02094000	S/TPB/BID-2X6-NI	16	10/P						
102	X0-02095000	S/TPP/BRZ-3X10-NI	7	10/P						
103	X0-02096000	S/TPP/BRZ-3X8-NI	4	10/P						
104	X0-02093000	S/PAN/SWWS-M4X6-NI	1	10/P						
105	X0-01771000	S/PAN/SWWP-M4X12-NI	6	10/P						To: 105-1
105-1	X0-01771000	S/PAN/SWWP-M4X12-NI	0	10/P				B - E G04J527		From: 105
106	6LA08913000	S/TPS/HEX-4*8-NI	6	10/P						To: 106-1
106-1	X0-01771000	S/PAN/SWWP-M4X12-NI	4	10/P				C - J G04J527		From: 106





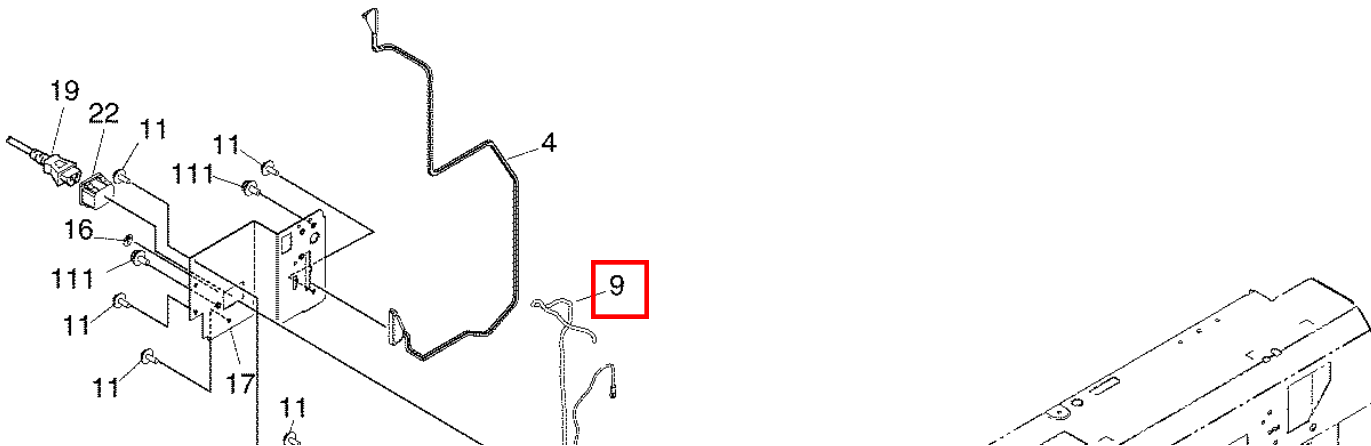


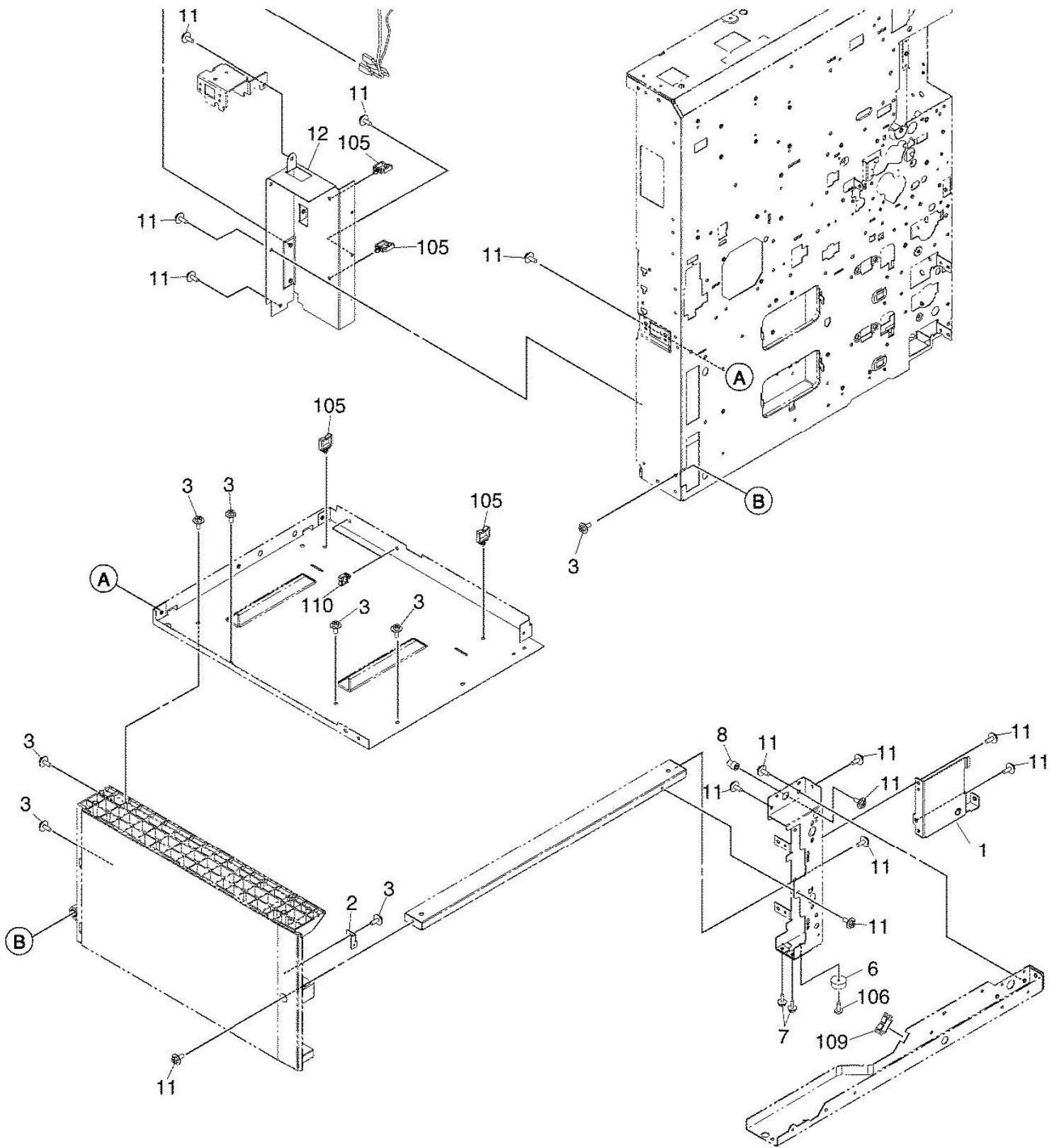
Model:

Page:

Issue  
Date:

Item No.	Parts No.	Parts Name	QTY / Unit	QTY / Pack	Part remarks	Catg.	Serial No.	P	I	R	BSI No.	Change	PC Board
1	6LA78532000	ASYS-BRKT-HING-ADU-F	1	1/P									
2	6LA65302000	BRKT-JOINT-PFP	1	1/P									
3	6LA08921000	S/TPP/HEX-4*8-NI	7	10/P								To: 3-1	
3-1	X0-02251000	S/TPP/FHEXM-4X8-NI	7	10/P				C	E	F	G05E930	From: 3	
4	6LA89412000	HRNS-LGC-PFP-371	1	1/P								To: 4B	
4A	6LA89412000	HRNS-LGC-PFP-371	1	1/P	EXCEPT TWD			-	-	-	G05E995	From: 4	
4B	6LA89485000	HRNS-LGC-PFP-371TWD	1	1/P	TWD			A	-	J	G05E995	From: 4	
6	41306501000	FOOT-MAIN-AT	1	1/P									
8	6LA83414000	STUD-COV-SIDE-F	1	1/P									
9	6LA89437000	HRNS-INLT-371	1	1/P									
11	6LA08913000	S/TPS/HEX-4*8-NI	23	10/P								To: 11-1	
11-1	X0-02243000	S/TPS/FHEXM-4X8-ZU3	23	10/P				C	E	F	G05E996	From: 11	
12	6LA81360000	COVER-CSST-BACK	1	1/PP									
16	6LA91550000	MARK-EARTH-VDE-371	1	10/P									
17	6LA81326000	BRKT-INLET-371	1	1/P									
19A	6LA55883000	CABLE-P-INLET-US	1	1/P	NAD,SAD								
19B	4400395940	CBL/P-INLET-EUR	1	1/P	MJD,ASD							To: 19B-1	
19B-1	6LA72426000	CABLE-P-INLET-EUR	1	1/P	MJD,ASD			C	E	H	G05F032	From: 19B	
19D	4400494790	CBL/P-INLET-UK	1	1/P	ASU							To: 19D-1	
19D-1	6LA56818000	CABLE-P-INLET-UK	1	1/P	UKD			C	E	J	G05C815	From: 19D	
19E	6LA56225000	CABLE-INLET-CCC	1	1/P	CND								
19F	6LA56602000	CABLE-P-INLET-TWD	1	1/P	TWD			A	-	J	G05E995		
22	E0-06067000	NC-179-F6.35	1	1/P									
105	F0-01298000	WS-2N-V0	4	5/P									
106	X0-02074000	S/TPS/BID-4X8-ZU3	1	10/P									
109	F0-00041000	EDS-2	1	5/P									
110	F0-00024000	LWS-1U	2	5/P									
111	X0-00169000	S/PAN/SWWP-M4X8-BSNI	2	10/P									





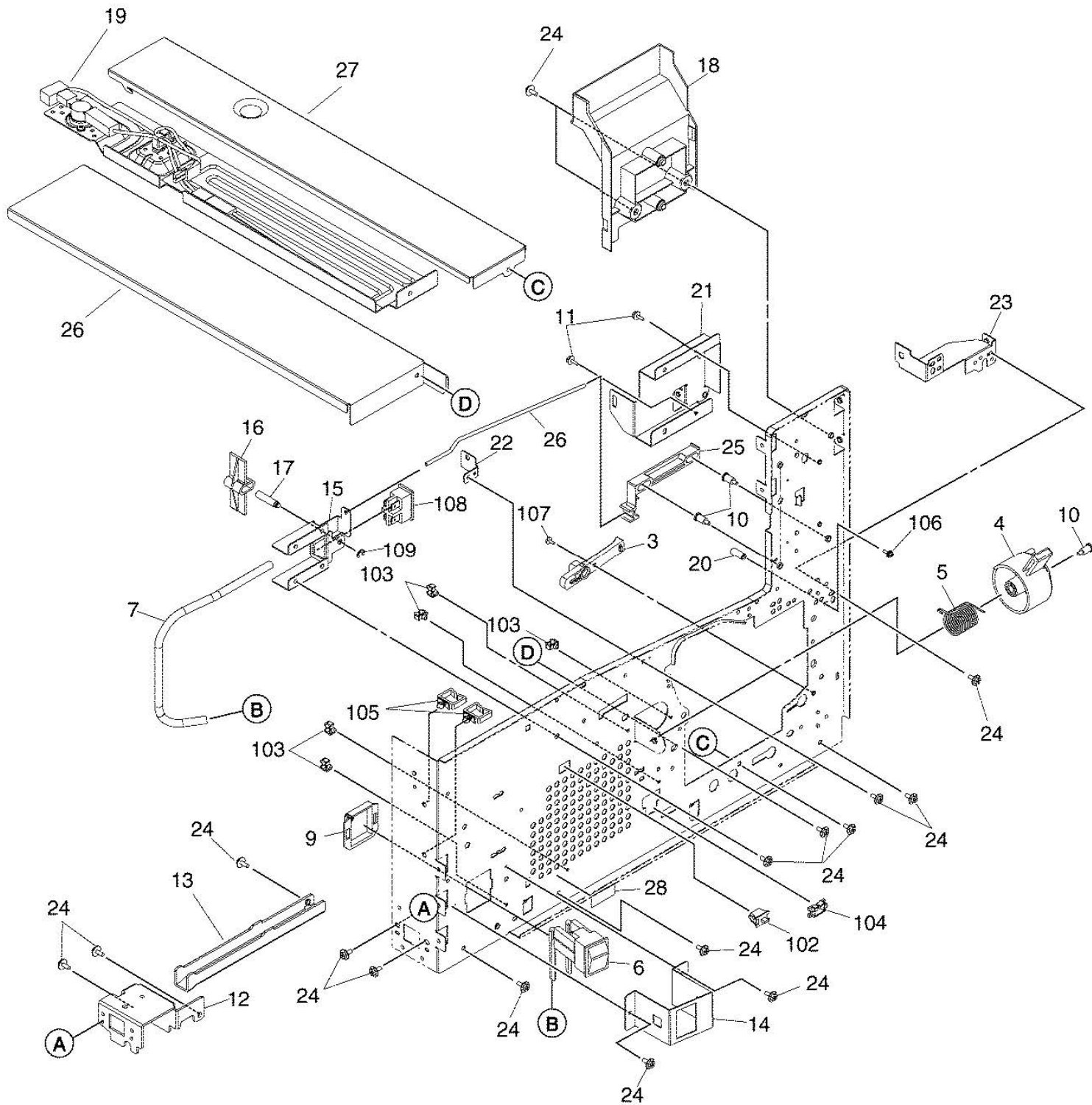
Model:

Page:

Issue

Date:

Item No.	Parts No.	Parts Name	QTY / Unit	QTY / Pack	Part remarks	Catg.	Serial No.	P	I	R	BSI No.	Change	PC Board
3	6LA85861000	HOLDER-RGST-F	1	1/P									
4	6LA88010000	LEVER-TNR-C	1	1/P									
5	6LA88014000	SPG-LEVER-TNR-C	1	1/P									
6	44205162000	SZ-AJ8R2004ZC	1	1/D								To: 6-1	
7	6LA89438000	HRNS-MAIN-SW-371	1	1/P								To: 7-1	
8	6LA89460000	HRNS-RSTSW-371	1	1/P								To: 8-1	
9	4406509170	BD/W-TWS-3027	1	1/P									
10	44200855000	STUD-DRSW-TR	3	1/P									
11	6LA08909000	S/TPS/HEX-3*8-NI	2	10/P								To: 11-1	
11-1	X0-02239000	S/TPS/FHEXM-3X8-ZU3	2	10/P				C	E	F	G05E996	From: 11	
12	6LA35525000	BRKT-HANDLE	1	1/P									
13	6LA35534000	HANDLE	1	1/P									
14	6LA65137000	BRKT-SW-MAIN	1	1/P									
15	6LA65301000	BRKT-DOOR-SW	1	1/P								To: 15-1	
15-1	6LA83451000	BRKT-DOOR-SW-371	1	1/P				C	D	J	G05G148	From: 15	
16	44200852000	GUIDE-SW-DOOR	1	1/P									
17	44200854000	STUD-DOOR-SW	1	5/P									
18	6LA80823000	COVER-FRAME-FRT-BCK	1	1/PP									
19B	6LA85424200	ASY-DHTR-DRUM-371-E	1	1/C	ASD,ASU,CND							To: 19B-1	
19B-1	6LA85424200	ASY-DHTR-DRUM-371-E	1	1/C	ASD,ASU,CND,KRD			-	-	-	G04L674	From: 19B	
20	6LA83415000	STUD-COV-SIDE	1	5/P									
21	6LA83522000	ASYS-EXIT-FRM-F	1	1/P									
22	6LA83543000	BRKT-DOOR-SW-SUB	1	1/P									
23	6LA83533000	BRKT-ADJ-FUS	1	1/P									
24	6LA08913000	S/TPS/HEX-4*8-NI	19	10/P								To: 24-1	
24-1	X0-02243000	S/TPS/FHEXM-4X8-ZU3	19	10/P				C	E	F	G05E996	From: 24	
25	6LA81500000	GUIDE-DOOR-SW-SUB	1	1/P									
26	6LA83801000	COVER-DHTR-HRNS-DRUM	1	1/P									
27	6LA83802000	COVER-DHTR-DRUM-371	1	1/P									
28A	6LA91431000	LBL-CAU-LASER	1	1/KP	NAD,ASD,MJD,ASU, SAD,TWD								
28B	6LA91541000	LBL-CAU-LASER-CND	1	1/P	CND								
28C	6LA83446000	LBL-CAU-LASER-373K	1	1/KP	KRD			A	-	J	G04L674		
102	E0-01853000	CS1A-B2CA	1	1/D	SWITCH								
103	F0-00043000	UAMS-05SN-W	5	5/P									
104	F0-00045000	EDS-1	1	10/P									
105	F0-01298000	WS-2N-V0	2	5/P									
106	X0-00077000	S/PAN/SWWP-M3X8-NI	1	10/P									
107	6LA08935000	SCR-M3X6BISR-NI	1	10/P									
108	E0-02347000	AGX226	1	1/D	SWITCH							To: 108-1	
108-1	E0-08442000	FA1L-AA22	1	1/D	SWITCH			C	D	J	G05G148	From: 108	
109	X0-00965000	RR/E-4-SS	1	10/P									



Model:

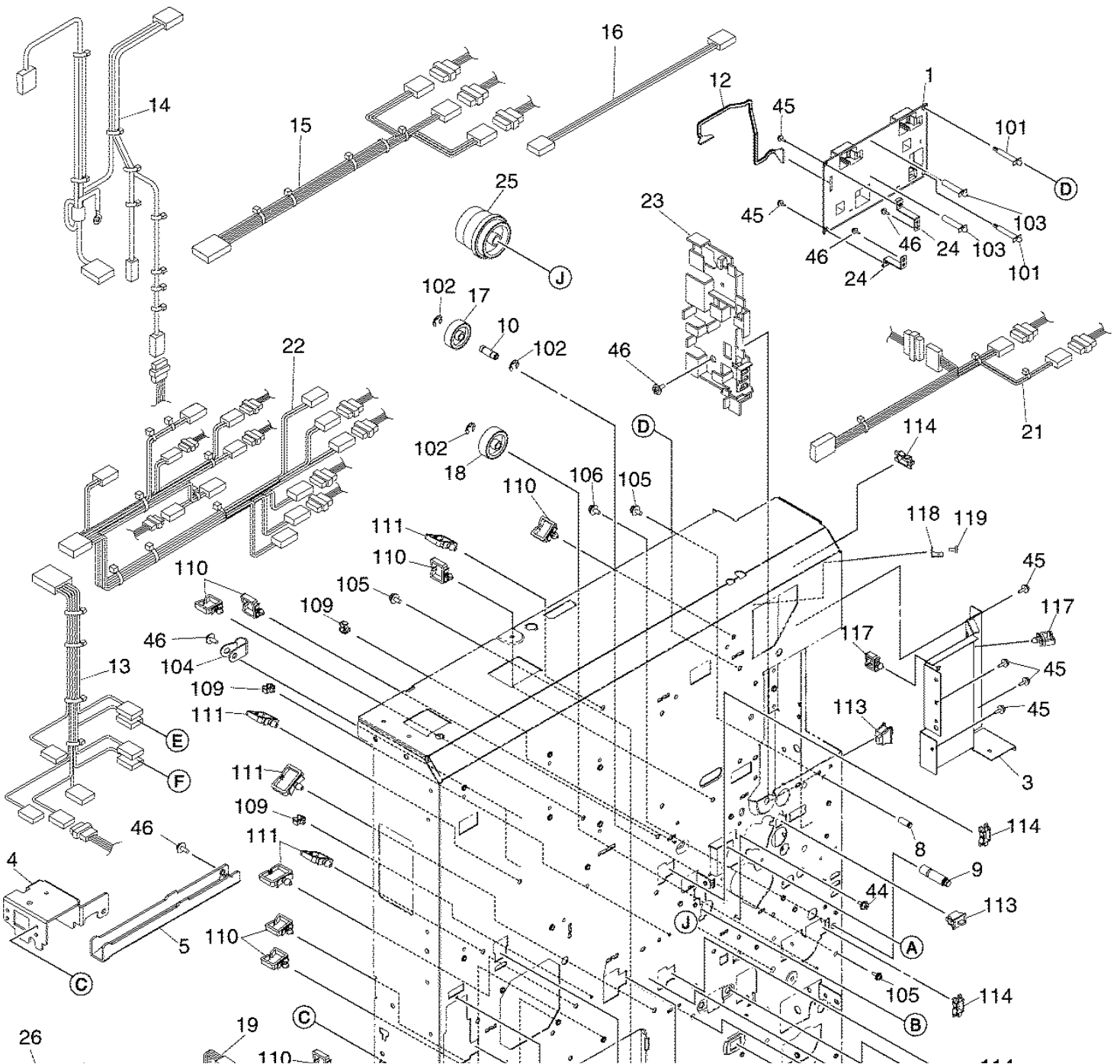
Page:

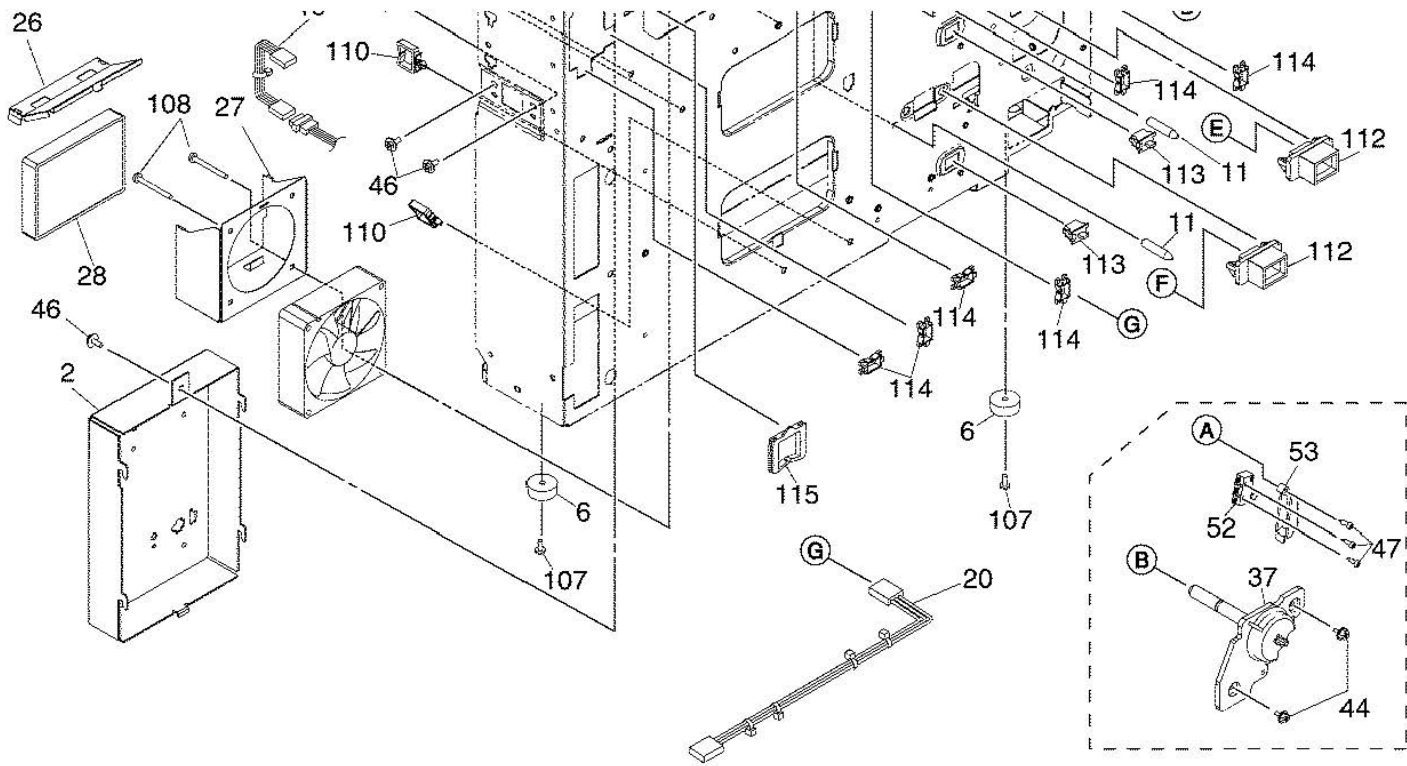
Issue

Date:

Item No.	Parts No.	Parts Name	QTY / Unit	QTY / Pack	Part remarks	Catg.	Serial No.	P	I	R	BSI No.	Change	PC Board
1	6LA89102000	PS-HVT-371	1	1/C								To: 1-1	
1-1	6LA89173000	PS-HVT-371	1	1/C				C	E	J	G05E941	From: 1	
2	6LA83424000	BRKT-DHTR	1	1/P									
3	6LA83527000	BRKT-FRAME-ADU	1	1/P									
4	6LA35525000	BRKT-HANDLE	1	1/P									
5	6LA35534000	HANDLE	1	1/P									
6	41306501000	FOOT-MAIN-AT	2	1/P									
7	6LA89111000	FAN-D-3110KL-05W-B60	1	1/D									
8	6LA83415000	STUD-COV-SIDE	1	5/P									
9	6LA83425000	STUD-COV-SIDE-R	1	1/P									
10	6LA83554000	STUD-DRV-24-BYP-371	1	1/P									
11	6LA83392000	STUD-FIX-FEED-UNIT	2	1/P									
12	6LA89403000	HRNS-LGC-HVPS-371	1	1/P									
13	6LA89409000	HRNS-LGC-FEDU-371	1	1/P									
14	6LA89477000	HRNS-PWR-FIN-371-W	1	1/P								To: 14B	
14A	6LA89477000	HRNS-PWR-FIN-371-W	1	1/P	EXCEPT TWD			-	-	-	G05E995	From: 14	
14B	6LA89486000	HRNS-PWR-FIN-371TWD	1	1/P	TWD			A	-	J	G05E995	From: 14	
15	6LA89407000	HRNS-LGC-ADU-371	1	1/P									
16	6LA89461000	HRNS-TNR-FULL-371	1	1/P									
17	6LA79003000	GEAR-10S024-06-DRV	1	1/P									
18	6LA79004000	GEAR-10S026-06-DRV	1	1/P									
19	6LA89413000	HRNS-LGC-POL-371	1	1/P									
20	6LA89439000	HRNS-LP-ACIN-371	1	1/P									
21	6LA89405000	HRNS-LGC-EXIT-371	1	1/P									
22	6LA89406000	HRNS-LGC-MOT-371	1	1/P									
23	6LA83402000	GUIDE-HRNS-371	1	1/PP									
24	6LA81350000	BRKT-HVT-371	2	1/P									
25	6LA83048000	GG10S040-10S034	1	1/P									
26	6LA83418000	COV-DUCT-FAN-REAR	1	1/P									
27	6LA83422000	DUCT-FAN-REAR-2	1	1/P									
28	6LA88355000	FILTER-OZONE-371	1	1/C									
37	6LA82254000	ASYS-HLDR-DEV-371	1	1/P									
45	6LA08909000	S/TPS/HEX-3*8-NI	5	10/P								To: 45-1	
45-1	X0-02239000	S/TPS/FHEXM-3X8-ZU3	5	10/P				C	E	F	G05E996	From: 45	
46	6LA08913000	S/TPS/HEX-4*8-NI	4	10/P								To: 46-1	
46-1	X0-02243000	S/TPS/FHEXM-4X8-ZU3	4	10/P				C	E	F	G05E996	From: 46	
47	44204394000	SCREW20*D23	3	10/P									
52	6LA68913000	SW-DE3LAASB-TNR	1	1/C									
53	6LA03099000	COVER-SW-340	1	1/P									
101	F0-00315000	SPLSN-22U	2	5/P									
102	X0-00966000	RR/E-5-SS	3	10/P									
103	F0-00330000	SPSN-22U	2	5/P									
104	F0-00119000	EMT-4N	2	1/P									
105	X0-00077000	S/PAN/SWWP-M3X8-NI	4	10/P									
106	X0-00164000	S/PAN/SWWP-M4X8-NI	1	10/P									
107	X0-02074000	S/TPS/BID-4X8-ZU3	2	10/P									
108	X0-02114000	S/TPS/PAN-4X32-ZU3	2	10/P									

109	F0-00043000	UAMS-05SN-W	3	5/P		
110	F0-01298000	WS-2N-V0	9	5/P		
111	F0-01252000	WS-4W	5	5/P		
112	E0-01106000	55533-1211	2	5/P		To: 112-1
113	E0-01853000	CS1A-B2CA	4	1/D SWITCH		
114	F0-00045000	EDS-1	8	10/P		
115	F0-00034000	EDS-2323U	1	5/P		
117	F0-00024000	LWS-1U	2	5/P		
118	E0-06031000	42117-2	1	5/P		
119	X0-00676000	S/TPS/BID-3X6-NI	1	10/P		







Model:

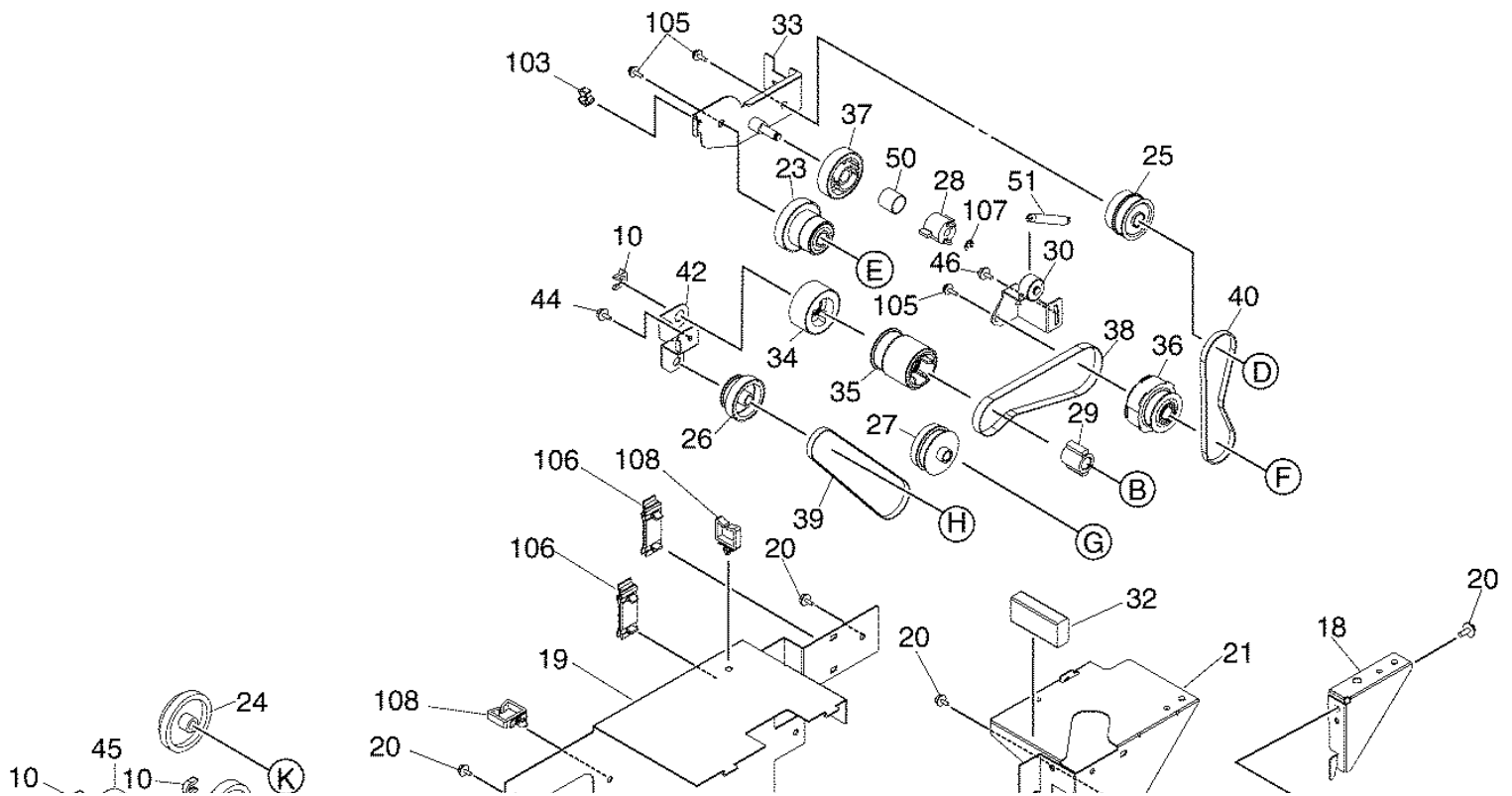
Page:

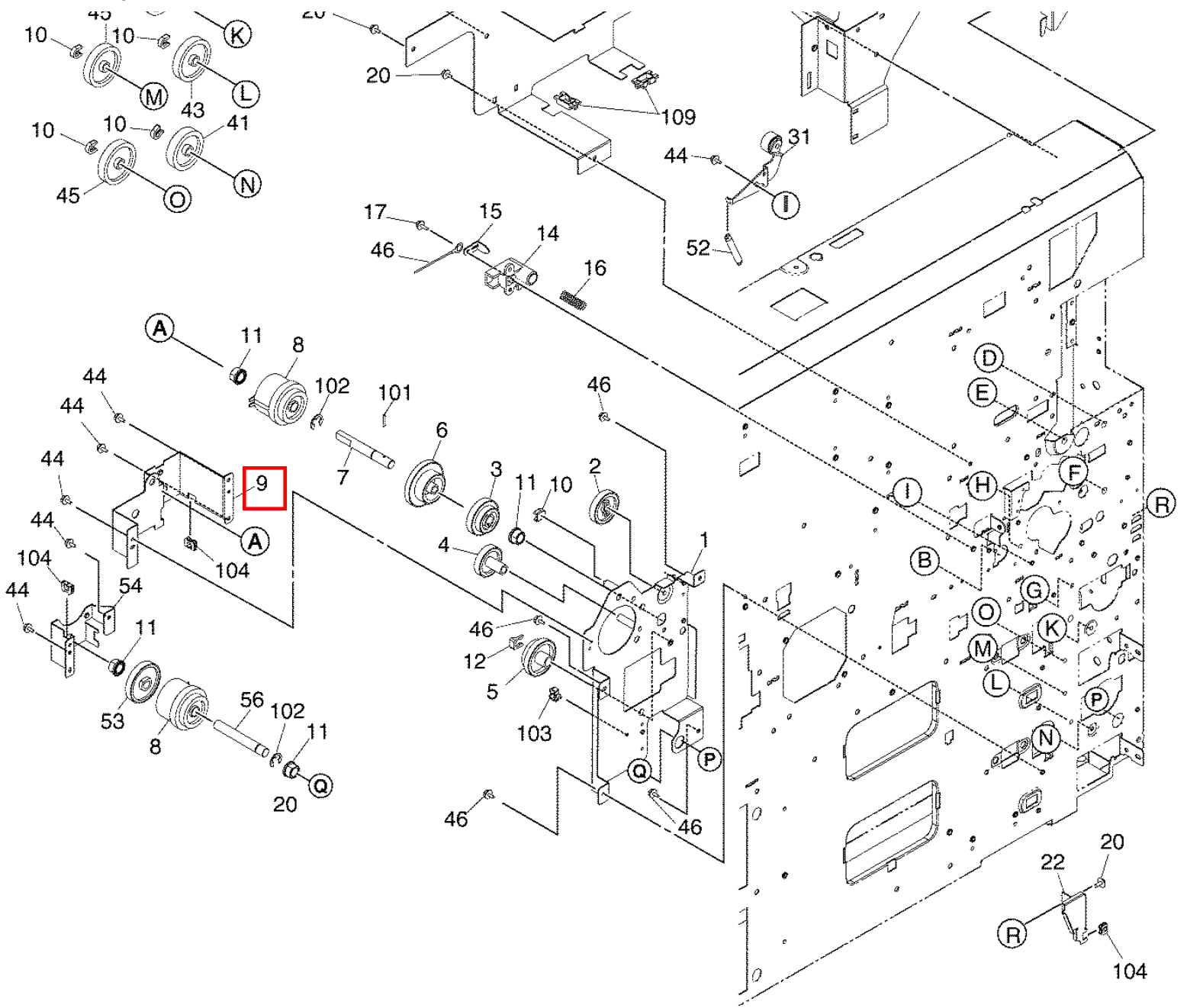
Issue

Date:

Item No.	Parts No.	Parts Name	QTY / Unit	QTY / Pack	Part remarks	Catg.	Serial No.	P	I	R	BSI No.	Change	PC Board
1	6LA83042000	ASYS-DRV-FEED-MAIN	1	1/P									
2	6LA83114000	GEAR-10S028-06	1	1/P									
3	6LA83115000	GG10S022-10S031	1	1/P									
4	6LA83113000	GEAR-10S026-06	1	1/P									
5	6LA83112000	GG10S025-10S032	1	1/P									
6	6LA83056000	GG10S026/10S040-371	1	1/P									
7	6LA83086000	SHAFT-ID-CLT-RELAY	1	1/P									
8	6LA82840000	CLUTCH-G28-08D-35E	2	1/D									
9	6LA83053000	BKT-DRV-FED-SUB	1	1/P								To: 9-1	
9-1	6LA82803000	BKT-DRV-FED-SUB-N	1	1/P				C	E	E	G05A687	From: 9	
10	4407972860	STOP-RING-6-5	5	5/P									
11	6LA65698000	BUSH-8X12X8F	4	5/P									
12	4400336190	STOP-RING-8	2	5/P									
13	6LA08908000	S/TPS/HEX-3*6-NI	3	10/P								To: 13-1	
13-1	X0-02238000	S/TPS/FHEXM-3X6-ZU3	3	10/P				C	E	F	G05E996	From: 13	
14	6LA82002000	TERMINAL-DEV	1	1/P									
15	6LA82004000	PLT-TERM-DEV	1	1/P									
16	6LA82006000	SPC-TERM	1	5/P									
17	6LA08917000	S/TPP/HEX-3*8-NI	1	10/P								To: 17-1	
17-1	X0-02247000	S/TPP/FH/FEXM-3X8-NI	1	10/P				C	E	F	G05E930	From: 17	
18	6LA83516000	BRKT-REINF-STY-TP-R1	1	1/P									
19	6LA81317000	BRKT-SCAN-HRNS	1	1/P									
20	6LA08913000	S/TPS/HEX-4*8-NI	9	10/P								To: 20-1	
20-1	X0-02243000	S/TPS/FHEXM-4X8-ZU3	9	10/P				C	E	F	G05E996	From: 20	
21	6LA81312000	BRKT-REINF-STY-TP2	1	1/P									
22	6LA83403000	COVER-CONECT-371	1	1/P									
23	6LA82292000	GEAR-8H31-10H20-6	1	1/P									
24	44201681000	GG10S031/10S038	1	1/P									
25	6LA82290000	GEAR-10H23-PS3M27-4	1	1/P									
26	6LA82279000	GEAR-10H27-PS2M32-6	1	1/P									
27	6LA82281000	GEAR-10H27-PS2M41-6	1	1/P									
28	6LA82296000	CPG-DRV-CLN	1	1/P									
29	6LA82220000	CPG-GR-JOINT-S	1	1/P									
30	6LA82258000	ASYB-BLT-TENS-C/F	1	1/P									
31	6LA82264000	ASYB-BLT-TENS-RGT	1	1/P									
32	6LA86471000	GSKT-18-10-40	1	1/P								To: 32-1	
32-1	6LA86409000	GSKT-18-10-40-N	1	1/P				C	E	E	G05A688	From: 32	
33	6LA82285000	ASYS-BRKT-CLN-FUS	1	1/P									
34	6LA82224000	ASYS-GEAR-8M35-8-JOIN-B	1	1/P									
35	6LA82261000	ASYS-GEAR-JOIN-BLT	1	1/P									
36	6LA82267000	ASYS-GEAR-RGST	1	1/P									
37	6LA82294000	GEAR-10H29-6-CLN	1	1/P									
38	6LA82273000	BLT-SY-S2M-250-6	1	1/P								To: 38-1	
38-1	6LA82252000	BLT-SY-S2M-250-4	1	1/P				C	E	E	G05B771	From: 38	
39	6LA82277000	BLT-SY-S2M-266-4	1	1/P									
40	6LA82275000	BLT-SY-S3M-222-4	1	1/P									
41	44201746000	GEAR-10S033-06	1	1/P									

42	6LA82243000	BRKT-DRV-FEED-A	1	1/P						
43	44201683000	GEAR-10S034-06	1	1/P						
44	6LA08908000	S/TPS/HEX-3*6-NI	7	10/P				- - -	G04J541	To: 44-1
44-1	X0-02238000	S/TPS/FHEXM-3X6-ZU3	7	10/P				C E F	G05E996	From: 44
45	44201862000	GEAR-10S035-06	2	1/P						
46	6LA08935000	SCR-M3X6BISR-NI	5	10/P				- - -	G04J541	
47	6LA89436000	HRNS-HVT-DEV-371	1	1/P						
50	6LA82298000	SPG-C-13R5*1*21R7L-CN	1	5/P						
51	6LA82313000	SPG-E-5R5*R8*33R4-TNS	1	1/P						
52	6LA82202000	SPG-E-5XR55X29R92-TNS	1	1/P						
53	6LA83082000	GEAR-10S035-08D	1	1/P						
54	6LA83060000	BRKT-DRV-FED-CLT	1	1/P						
56	6LA83085000	SHAFT-ID-CLT-371	1	1/P						
101	X0-01526000	P/PRL/AH7-2X12-SS	1	10/P						
102	X0-00968000	RR/E-7-SS	2	10/P						
103	F0-00043000	UAMS-05SN-W	1	5/P						
104	F0-00339000	EHP-6U	3	5/P						To: 104-1
105	X0-00077000	S/PAN/SWWP-M3X8-NI	3	10/P						
106	F0-01047000	LFCS-30	2	1/P						
107	X0-00964000	RR/E-3-SS	1	10/P						
108	F0-01298000	WS-2N-V0	2	5/P						
109	F0-00045000	EDS-1	2	10/P						





Model:

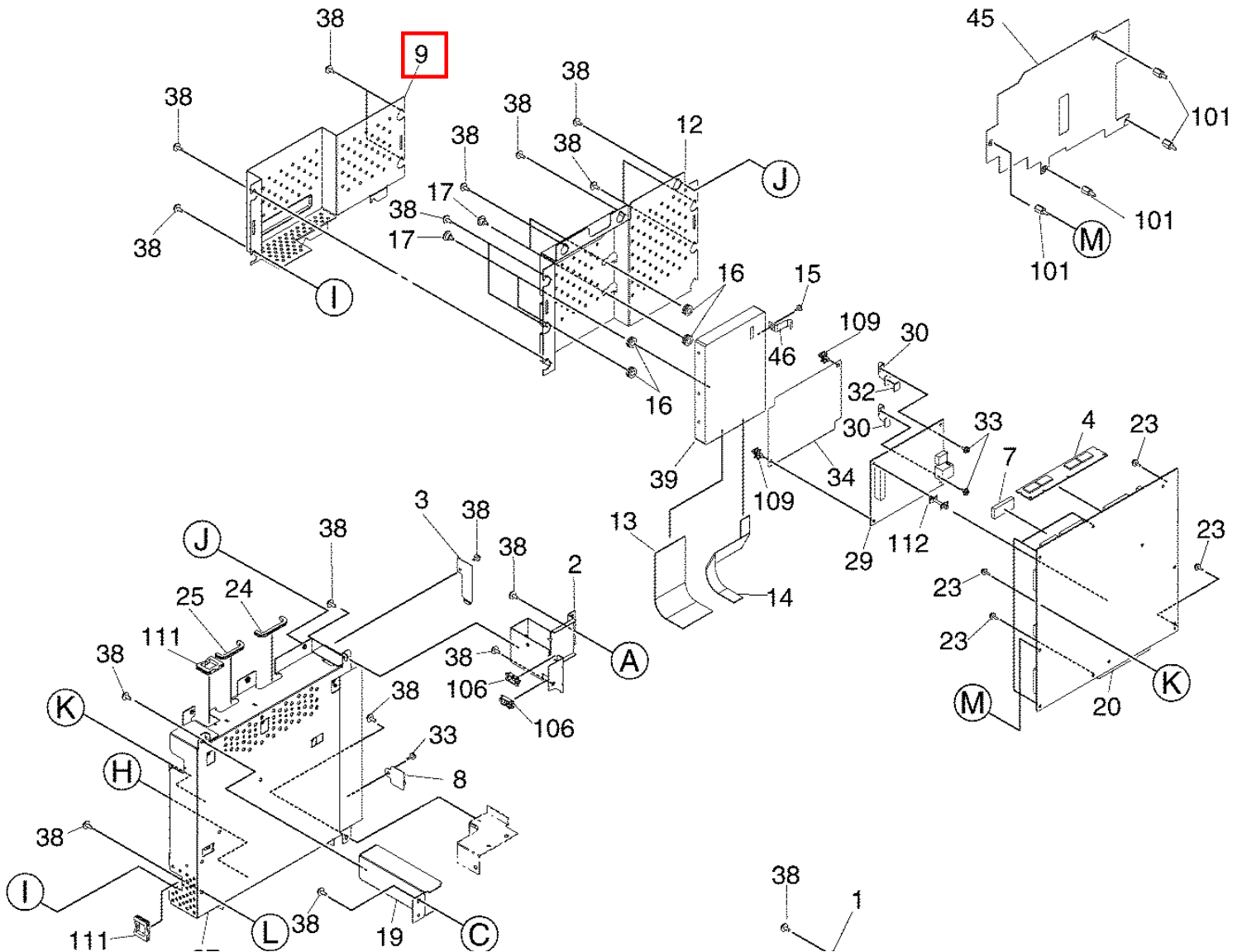
Page:

Issue

Date:


Item No.	Parts No.	Parts Name	QTY / Unit	QTY / Pack	Part remarks	Catg.	Serial No.	P	I	R	BSI No.	Change	PC Board
1	6LA81361000	BRKT-COVER-R-R-371	1	1/P									
2	6LA81316000	BRKT-FAX-371	1	1/P									
3	6LA34629000	COV-CNCT-DWN	1	1/P									
4	6A000000048	GC-1180	1	SUPPLY		OPT							
5A	6LA42007200	PWA-F-FUS-350-SAD	1	1/C	SAD,TWD								
5B	6LA42007000	PWA-F-FUS-350	1	1/C	ASD,ASU,CND							To: 5B-1	
5B-1	6LA42007000	PWA-F-FUS-350	1	1/C	ASD,ASU,CND,KRD			-	-	-	G04L674	From: 5B	
6	6LA08921000	S/TPP/HEX-4*8-NI	1	10/P								To: 6-1	
6-1	X0-02251000	S/TPP/FHEXM-4X8-NI	1	10/P				C	E	F	G05E930	From: 6	
7	C0-10324000	FM18L08-70-PG	1	1/S	FRAM (IC54)								
8	6LA64243000	COVER-USB-SYS	1	1/P				-	-	-	G04I476	To: 8A	
8A	6LA64243000	COVER-USB-SYS	1	1/P	EXCEPT TWD			-	-	-	G05E995	From: 8	
9	6LA81333000	COVER-SYS-L-371	1	1/P									
12	6LA81332000	COVER-SYS-U-371	1	1/P									
13	6LA89457000	HRNS-HDD-SIG-371	1	1/P								To: 13-1	
14	6LA89458000	HRNS-HDD-POW-371	1	1/P									
15	44201086000	SCREW-#6-32*1/4	1	10/P									
16	6LA56134000	DAMPER-HDD-320	4	5/P									
17	44201254000	SCREW-HDD-DSS	4	10/P		CNT							
19	6LA81315000	BRKT-SYS-RGT-371	1	1/P									
20	6LA88724000	ASY-PWA-SYS-371S	1	1/SB								To: 20-1	
20-1	6LA89814000	ASY-PWA-SYS-371S	1	1/SB				C	E	J	G04L668	To: 20-2	
20-2	6LA89826000	ASY-PWA-SYS-371S	1	1/SB				C	E	J	G05E941	From: 20-1	
23	6LA08909000	S/TPS/HEX-3*8-NI	12	10/P								To: 23-1	
23-1	X0-02239000	S/TPS/FHEXM-3X8-ZU3	12	10/P				C	E	F	G05E996	From: 23	
24	6LA34634000	BUSH-KG-016L-FA	1	5/P									
25	6LA34635000	BUSH-KG-016L-SC	1	5/P									
29A	6LA89161000	CTRL-F-NIC-371-CND	1	1/SB	CND							To: 29A-1	
29A-1	6LA89161100	CTRL-F-NIC-371-OTR	1	1/SB	CND			C	B	D	G04K647	To: 29A-2	
29A-2	6LA89161100	CTRL-F-NIC-371-OTR	1	1/SB	CND,KRD			-	-	-	G04L674	To: 29A-3	
29B	6LA89161100	CTRL-F-NIC-371-OTR	1	1/SB	NAD,ASD,MJD,ASU, SAD,TWD							To: 29B-1	
29B-1	6LA89161100	CTRL-F-NIC-371-OTR	1	1/SB	NAD,ASD,MJD,ASU, SAD,TWD,KRD			-	-	-	G04L674	To: 29B-2	
30	6LA34672000	BRKT-NIC-EARTH	2	1/P									
32	6LA34678000	GSKT-STG1-10CF	1	5/P									
33	6LA08908000	S/TPS/HEX-3*6-NI	11	10/P				-	-	-	G04I476	To: 33-1	
33-1	X0-02238000	S/TPS/FHEXM-3X6-ZU3	11	10/P				C	E	F	G05E996	From: 33	
34	6LA34683000	MYLAR-NIC	1	1/KP								To: 34B	
34A	6LA34683000	MYLAR-NIC	1	1/KP	EXCEPT TWD			-	-	-	G05E995	From: 34	
34B	6LA81374000	SHEET-NIC-37X-TWD	1	1/KP	TWD			A	-	J	G05E995	From: 34	
37	6LA81339000	ASYS-CASE-SYS	1	1/PP				-	-	-	G04I476		
38	6LA08913000	S/TPS/HEX-4*8-NI	31	10/P								To: 38-1	
38-1	X0-02243000	S/TPS/FHEXM-4X8-ZU3	31	10/P				C	E	F	G05E996	From: 38	
39	G0-00291000	6E040L0	1	1/C	HDD							To: 39-1	
39-1	G0-00360000	WD400BB-22JHC0	1	1/C	HDD			C	B	D	G05C773	From: 39	
40	6LA89440000	HRNS-FUSE-371	1	1/P									
41B	6LA89442000	HRNS-D/H-371	1	1/P	ASD,ASU,SAD,TWD, CND							To: 41B-1	

41B-1	6LA89442000	HRNS-D/H-371	1	1/P	ASD,ASU,SAD,TWD, CND,KRD	-	-	-	G04L674	From: 41B
44	6LA08934000	SCR-M4X8ITSR-NI	4	10/P		-	-	-	G04J541	
45B	6LA81376000	SHEET-SYS-37X-TWD	1	1/P	TWD	A	-	J	G05E995	
46	6LA81334000	TERM-HDD-EARTH-371	1	1/P						
101B	F0-01467000	BSB-308	4	1/P	TWD	A	-	J	G05E995	
102	F0-00280000	WLS-20-0	1	5/P						
104B	F0-00343000	SPLSN-8U	4	5/P	ASD,ASU,SAD,TWD, CND					To: 104B-1
104B-1	F0-00343000	SPLSN-8U	4	5/P	ASD,ASU,SAD,TWD, CND,KRD	-	-	-	G04L674	From: 104B
106	F0-00045000	EDS-1	3	10/P						
109	F0-00273000	WLS-06-0	2	5/P						
111	F0-00047000	EDS-1717U	3	10/P						

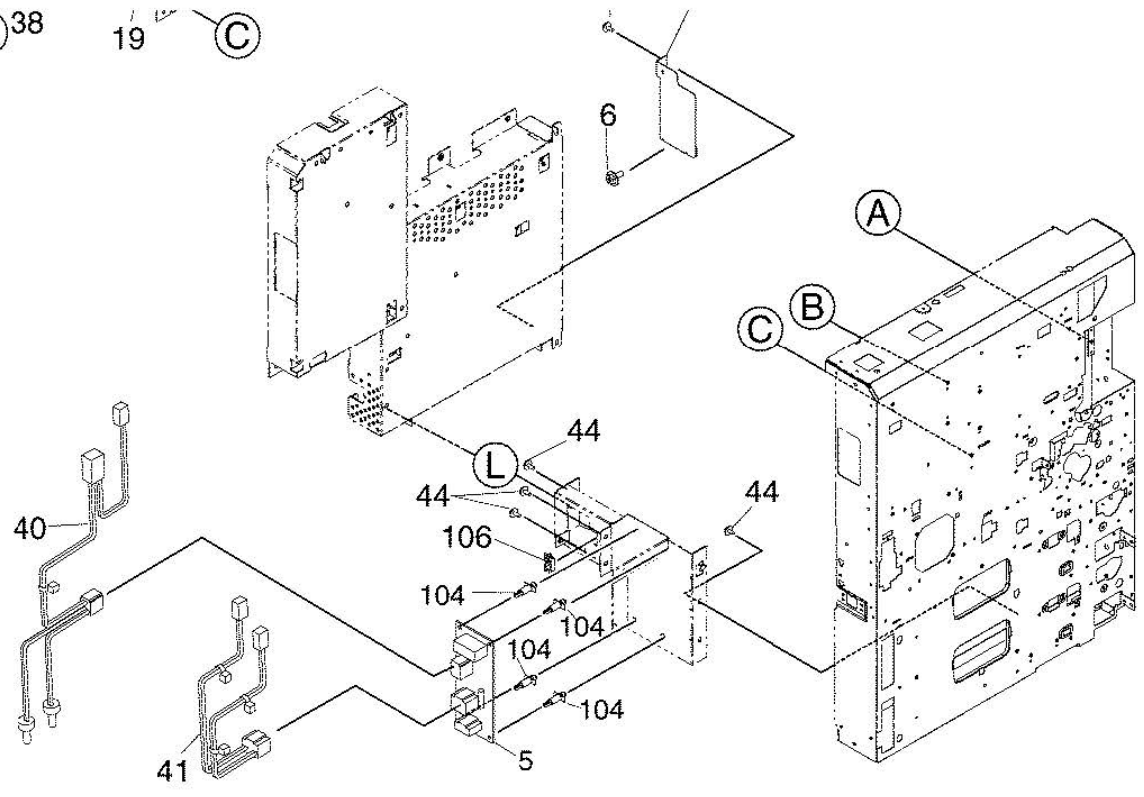


111 

37 

(L) 38 

19 (C) 

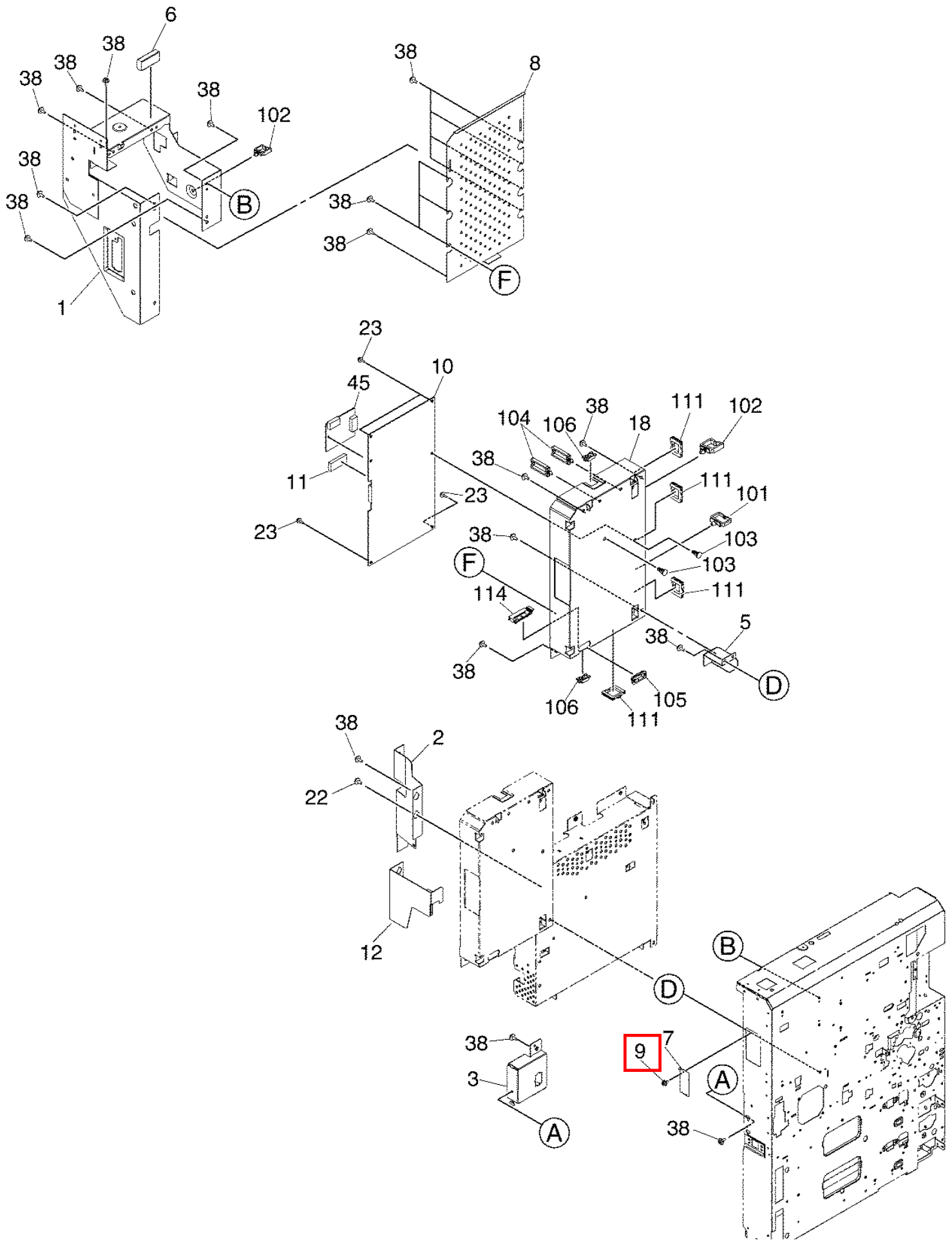


Model:

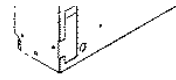
Page:

Issue  
Date:

Item No.	Parts No.	Parts Name	QTY / Unit	QTY / Pack	Part remarks	Catg.	Serial No.	P	I	R	BSI No.	Change	PC Board
1	6LA83518000	ASYS-BRKT-SCAN-LFT	1	1/P									
2	6LA81370000	ASYS-BKT-COV-SYS-LGC	1	1/P								To: 2B	
2A	6LA81370000	ASYS-BKT-COV-SYS-LGC	1	1/P	EXCEPT TWD			-	-	-	G05E995	From: 2	
2B	6LA81370100	ASYS-BKT-COV-SYS-LGC-37XT	1	1/P	TWD			A	-	J	G05E995	From: 2	
3	6LA81319000	BRKT-CNTR-FNSR-371	1	1/P									
4	6LA81501000	SHAFT-DOOR-SW	1	1/P									
5	6LA81310000	BRKT-LGC-371	1	1/P									
6	6LA86471000	GSKT-18-10-40	1	1/P								To: 6-1	
6-1	6LA86409000	GSKT-18-10-40-N	1	1/P				C	E	E	G05A688	From: 6	
7	6LA34627000	LID-LGC	1	1/P									
8	6LA81324000	COVER-LGC-371	1	1/P									
9	6LA08908000	S/TPS/HEX-3*6-NI	1	10/P								To: 9-1	
9-1	X0-02238000	S/TPS/FHEXM-3X6-ZU3	1	10/P				C	E	F	G05E996	From: 9	
10A	6LA89809000	ASY-PWA-LGC-371S	1	1/SB	e-STUDIO230,e-STUDIO230L,e-STUDIO230S			-	-	-	G04I476	To: 10A-1	
10B	6LA89810000	ASY-PWA-LGC-372S	1	1/SB	e-STUDIO280,e-STUDIO280S			-	-	-	G04I476	To: 10B-1	
10C	6LA89817000	ASY-PWA-LGC-373S	1	1/SB	e-STUDIO200L			-	-	-	G04I476	To: 10C-1	
11A	6LA90099000	WR.RAM-T373MU	1	1/S	NAD			-	-	-	G04I515	To: 11A-1	
11A-1	6LA90099100	WRRAM-T373MU	1	1/S	NAD			C	E	J	G05C839	From: 11A	
11B	6LA90100000	WR.RAM-T373ME	1	1/S	MJD			-	-	-	G04I515	To: 11B-1	
11B-1	6LA90100100	WRRAM-T373ME	1	1/S	MJD			C	E	J	G05C839	From: 11B	
11C	6LA90103000	WR.RAM-T373MX	1	1/S	ASD,ASU,TWD,CND			-	-	-	G04I515	To: 11C-1	
11C-1	6LA90103100	WRRAM-T373MX	1	1/S	ASD,ASU,TWD,CND			C	E	J	G05C839	From: 11C	
11E	6LA90102000	WR.RAM-T373MS	1	1/S	SAD			-	-	-	G04I515	To: 11E-1	
11E-1	6LA90102100	WRRAM-T373MS	1	1/S	SAD			C	E	J	G05C839	From: 11E	
12B	6LA81356000	ASYS-BRKT-EMI-37X-TWD	1	1/P	TWD			A	-	J	G05E995		
18	6LA81323000	CASE-LGC-371	1	1/P									
23	6LA08909000	S/TPS/HEX-3*8-NI	4	10/P								To: 23-1	
23-1	X0-02239000	S/TPS/FHEXM-3X8-ZU3	4	10/P				C	E	F	G05E996	From: 23	
38	6LA08913000	S/TPS/HEX-4*8-NI	19	10/P								To: 38-1	
38-1	X0-02243000	S/TPS/FHEXM-4X8-ZU3	19	10/P				C	E	F	G05E996	From: 38	
101	F0-01252000	WS-4W	1	5/P									
102	F0-01298000	WS-2N-V0	1	5/P									
103	F0-00229000	KGLS-8RT	2	5/P									
104	F0-01297000	WS-4N-V0	2	5/P									
105	F0-00199000	TSB-1909N	1	1/P									
106	F0-00045000	EDS-1	2	10/P									
111	F0-00047000	EDS-1717U	4	10/P									
114	F0-01047000	LFCS-30	1	1/P									







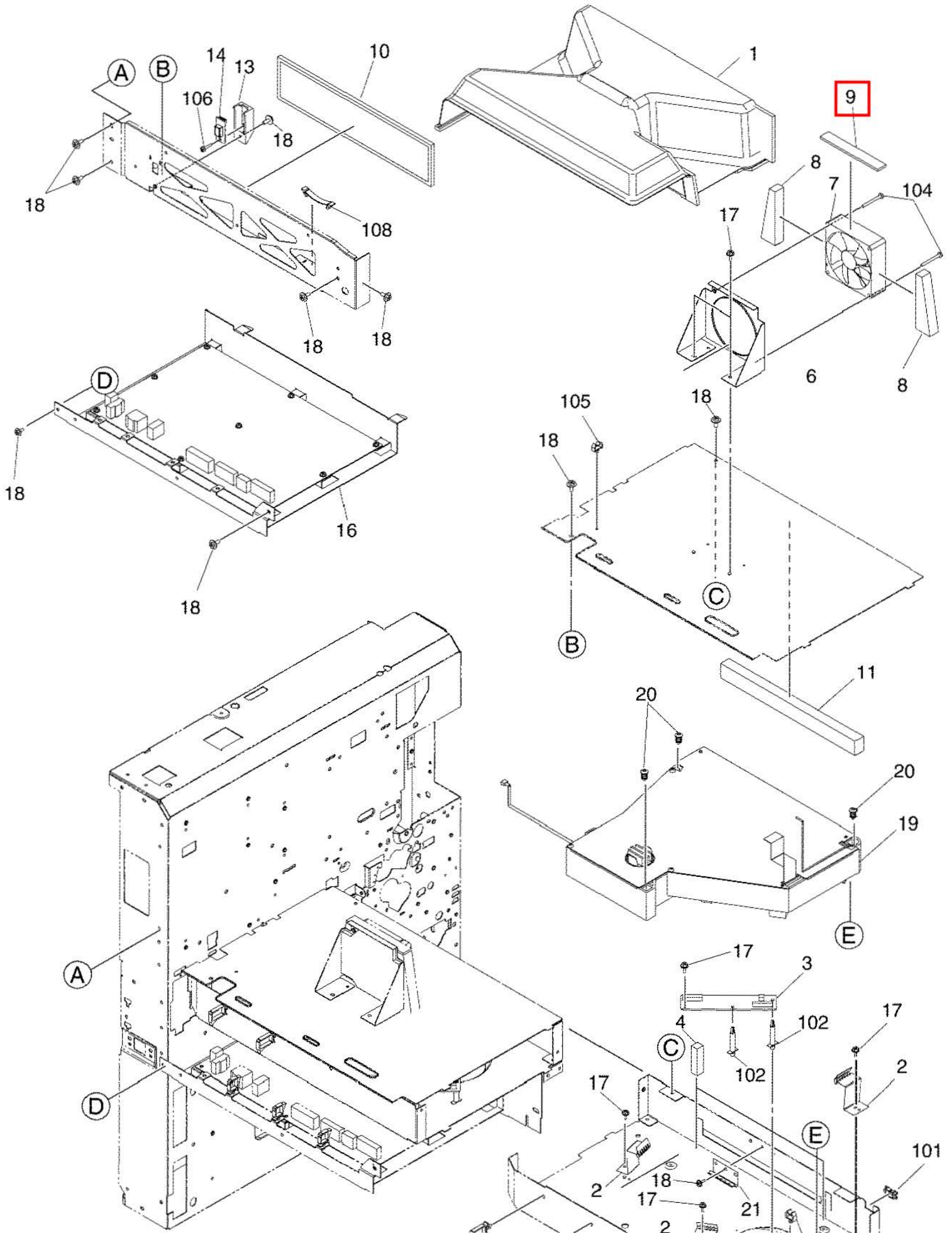
Model:

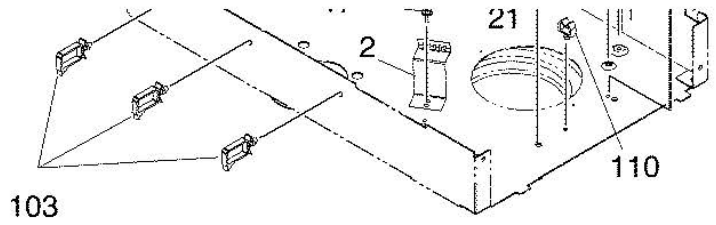
Page:

Issue

Date:

Item No.	Parts No.	Parts Name	QTY / Unit	QTY / Pack	Part remarks	Catg.	Serial No.	P	I	R	BSI No.	Change	PC Board
1	6LA83594000	ASYS-DUCT-FAN-TNR	1	1/PP								To: 1-1	
1-1	6LA83441000	ASYS-DUCT-FAN-TNR	1	1/PP				C	D	E	G04L681	From: 1	
2	6LA83405000	SPL-FG-LSU-A	3	1/P									
3	6LA69849000	PWA-F-LRL-360	1	1/SB									
4	6LA84872000	SEAL-GLASS-LSU-S	2	1/D									
6	6LA83591000	BRKT-FAN-TNR	1	1/P								To: 6-1	
6-1	6LA83591000	BRKT-FAN-TNR	0	1/P				B	D	E	G04L681	From: 6	
7	6LA34342000	FAN-D-8025-350NH	1	1/D									
8	6LA83586000	SEAL-FAN-SIDE	2	1/KP								To: 8-1	
8-1	6LA83586000	SEAL-FAN-SIDE	0	1/KP				B	D	E	G04L681	From: 8	
9	6LA83585000	SEAL-FAN-TOP	1	1/KP								To: 9-1	
9-1	6LA83585000	SEAL-FAN-TOP	0	1/KP				B	D	E	G04L681	From: 9	
10	6LA83404000	FILTER-STAY-FRM-LFT	1	1/KP									
11	6LA84873000	SEAL-GLASS-LSU-C	1	1/KP									
13	6LA65141000	HLDR-SNSR-THS	1	1/P									
14	6LA89109000	SNSR-THS-371	1	1/C									
16A	6LA89143000	PS-LVPS-371JU	1	1/C	NAD,SAD,TWD							To: 16C-1	
16A-1	6LA89191000	PS-LVPS-371-TWD	1	1/C	TWD			-	-	-	G05J372	From: 16A	
16B	6LA89104000	PS-LVPS-371E	1	1/C	ASD,MJD,ASU,CND							To: 16B-1	
16B-1	6LA89104000	PS-LVPS-371E	1	1/C	ASD,MJD,ASU,CND, KRD			-	-	-	G04L674	To: 16D-2	
16B-2	6LA89179000	PS-LVPS-371E	1	1/C	ASD,MJD,ASU,KRD			C	E	J	G05J372	From: 16B-1	
16C-1	6LA89178000	PS-LVPS-371JU	1	1/C	NAD,SAD,			C	E	E	G05J372	From: 16A	
16D-2	6LA89187000	PS-LVPS-371CND	1	1/C	CND			C	E	J	G05J372	From: 16B-1	
17	6LA08909000	S/TPS/HEX-3*8-NI	6	10/P								To: 17-1	
17-1	6LA08909000	S/TPS/HEX-3*8-NI	4	10/P				D	-	E	G04L681	To: 17-2	
17-2	X0-02239000	S/TPS/FHEXM-3X8-ZU3	4	10/P				C	E	F	G05E996	From: 17-1	
18	6LA08913000	S/TPS/HEX-4*8-NI	10	10/P								To: 18-1	
18-1	X0-02243000	S/TPS/FHEXM-4X8-ZU3	10	10/P				C	E	F	G05E996	From: 18	
19	6LA85763000	LASER-UNIT-371	1	1/S								To: 19-1	
20	6LA36749000	ASYS-SCREW-LSU-NI	3	5/P									
21	6LA83406000	SPL-FG-LSU-B	1	1/P									
101	F0-00045000	EDS-1	1	10/P									
102	F0-00313000	SPLSN-18U	2	5/P									
103	F0-01299000	LWS-2111Z	3	1/P									
104	X0-02114000	S/TPS/PAN-4X32-ZU3	2	10/P								To: 104-1	
104-1	X0-02114000	S/TPS/PAN-4X32-ZU3	0	10/P				B	-	E	G04L681	From: 104	
105	F0-00043000	UAMS-05SN-W	1	5/P									
106	X0-02034000	S/TPP/PAN-3X12-NI	1	10/P									
108	F0-01286000	FCR-30	2	5/P									
110	F0-00044000	UAMS-05-2	1	5/P									





Model:

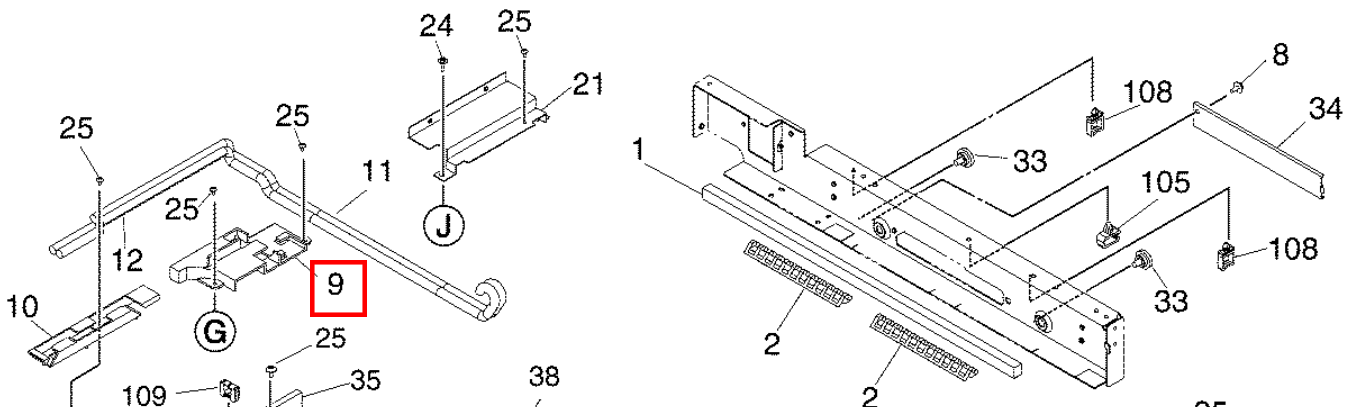
Page:

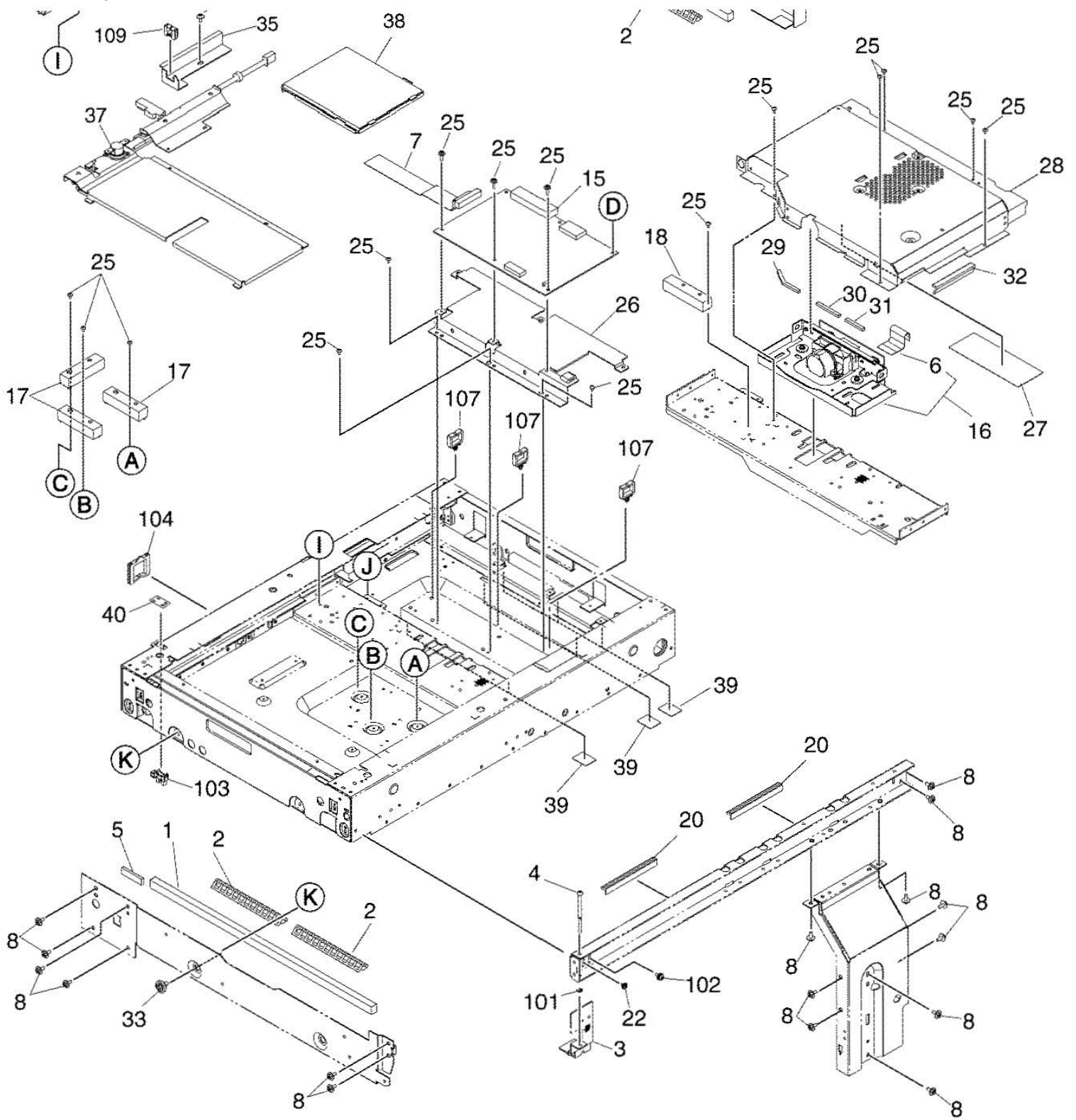
Issue

Date:

Item No.	Parts No.	Parts Name	QTY / Unit	QTY / Pack	Part remarks	Catg.	Serial No.	P	I	R	BSI No.	Change	PC Board
1	6LA67800000	CUSH-STAY-TP-LFT	2	1/KP									
2	6LA39931000	SPL-SHLD-102-7	4	1/KP									
3	6LA67468000	BRKT-ADJT-TP-FRT-360	1	1/P									
4	6LA67500000	SCREW-ADJT-FRM	1	1/P									
5	6LA67810000	CUSH-STAY-TP-LFT-S	1	1/KP									
6	6LA71418000	HRNS-CCD-360	1	1/KP								To: 6-1	
7	6LA89478000	HRNS-SLG-SYS-371	1	1/P								To: 7-1	
7-1	6LA81380000	HRNS-SLG-SYS-371	1	1/P				C	E	J	G05E941	From: 7	
8	6LA08913000	S/TPS/HEX-4*8-NI	19	10/P								To: 8-1	
8-1	X0-02243000	S/TPS/FHEXM-4X8-ZU3	19	10/P				C	E	F	G05E996	From: 8	
9	6LA39661000	DUCT-SCAN-INR	1	1/P									
10	6LA39385000	GUIDE-HRNS-RER	1	1/P									
11	6LA71384000	HRNS-SNSR-SCN-360	1	1/P									
12	6LA89466000	HRNS-SLG-SPLY-371	1	1/P									
13	6LA89468000	HRNS-ADF-371	1	1/P									
14	6LA71386000	HRNS-SCN-MOT-360	1	1/P									
15	6LA89808000	ASY-SLG-371S	1	1/SB								To: 15-1	
15-1	6LA81351000	ASY-SLG-371S	1	1/SB				C	B	J	G04L667	To: 15-2	
15-2	6LA81383000	ASY-SLG-371S	1	1/SB				C	E	J	G05E941	From: 15-1	
16	6LA85765000	LENS-UNIT-371	1	1/S								To: 16B	
16A	6LA85765000	LENS-UNIT-371	1	1/S	EXCEPT TWD			-	-	-	G05E995	From: 16	
16B	6LA86544000	LENS-UNIT-371TWD	1	1/S	TWD			A	-	J	G05E995	From: 16	
17A	44205167000	SNSR-PS-TW05	3	1/C	NAD							To: 17A-1	
17B	44205167000	SNSR-PS-TW05	4	1/C	NAD,ASD,MJD,ASU, CND							To: 17B-1	
17B-1	44205167000	SNSR-PS-TW05	4	1/C	NAD,ASD,MJD,ASU, CND,SAD			E	-	J	G04L673	To: 17B-2	
17B-2	44205167000	SNSR-PS-TW05	4	1/C	NAD,ASD,MJD,ASU, CND,SAD,KRD			-	-	-	G04L674	To: 17B-3	
18	4406379920	SNSR-PS-TY1CH56	1	1/D								To: 18-1	
19A	6LA71425000	HRNS-APS-L-360	1	1/P	NAD							To: 19A-1	
19B	6LA71424000	HRNS-APS-A-360	1	1/P	ASD,MJD,ASU,CND							To: 19B-1	
19B-1	6LA71424000	HRNS-APS-A-360	1	1/P	ASD,MJD,ASU,CND, SAD			E	-	J	G04L673	To: 19B-2	
19B-2	6LA71424000	HRNS-APS-A-360	1	1/P	ASD,MJD,ASU,CND, SAD,KRD			-	-	-	G04L674	To: 19B-3	
20	6LA86470000	GSKT-L10-100	2	1/KP									
21	6LA39453000	COVER-HRNS-SLG	1	1/P									
22	6LA08932000	SCREW-ACTR-TRU	2	10/P									
23	6LA08908000	S/TPS/HEX-3*6-NI	59	10/P								To: 23-1	
23-1	X0-02238000	S/TPS/FHEXM-3X6-ZU3	59	10/P				C	E	F	G05E996	From: 23	
24	6LA08909000	S/TPS/HEX-3*8-NI	4	10/P								To: 24-1	
24-1	X0-02239000	S/TPS/FHEXM-3X8-ZU3	4	10/P				C	E	F	G05E996	From: 24	
25	6LA08935000	SCR-M3X6BISR-NI	25	10/P									
26	6LA86485000	ASYS-BRKT-PWA-SLG-371	1	1/P								To: 26B	
26A	6LA86485000	ASYS-BRKT-PWA-SLG-371	1	1/P	EXCEPT TWD			-	-	-	G05E995	From: 26	
26B	6LA67603000	ASYS-BRKT-PWA-SLG-TWD	1	1/P	TWD			A	-	J	G05E995	From: 26	
27B	6LA86531000	GM-25-40-110	1	1/P	TWD			A	-	J	G05E995		
28	6LA39656000	ASYS-COVER-LENS-350	1	1/PP								To: 28-1	
29	6LA39815000	GASKET-COV-LENS	1	1/KP									

30	6LA39814000	GASKET-3-4-38	1	1/P						
31	6LA39813000	GASKET-3-4-30	1	1/P						
32	6LA39816000	GASKET-LS13-8	1	1/P						
33	6LA67453000	ASY-SCREW-SCAN	3	5/P						
34	6LA39881000	LID-DOWNLOAD	1	1/P						
35B	6LA39898000	BRKT-D_H-LENS	1	1/P	ASD,ASU,CND				To: 35B-1	
35B-1	6LA39898000	BRKT-D_H-LENS	1	1/P	ASD,ASU,CND,SAD	E	-	J	G04L673	To: 35B-2
35B-2	6LA39898000	BRKT-D_H-LENS	1	1/P	ASD,ASU,CND,SAD, KRD	-	-	-	G04L674	From: 35B-1
37B	6LA39893000	ASY-D-H-SCAN-L-E	1	1/C	ASD,ASU,CND					To: 37B-1
37B-1	6LA39893000	ASY-D-H-SCAN-L-E	1	1/C	ASD,ASU,CND,KRD	-	-	-	G04L674	To: 37B-2
38B	6LA39903000	ASY-D-H-SCAN-R-E	1	1/C	ASD,ASU,CND					To: 38B-1
38B-1	6LA39903000	ASY-D-H-SCAN-R-E	1	1/C	ASD,ASU,CND,KRD	-	-	-	G04L674	To: 38B-2
39	6LA86456000	MYLAR-BASE-SCAN	7	5/P						
40	6LA29902000	COVER-SNSR-LIFT	1	1/P						
101	X0-00964000	RR/E-3-SS	1	10/P						
102	X0-00164000	S/PAN/SWWP-M4X8-NI	1	10/P						
103	C0-07598000	GP1A73AR	1	1/P						To: 103-1
103-1	C0-10813000	GP1A73ARJ00F	1	1/P		C	E	F	G05F017	From: 103
104	F0-00034000	EDS-2323U	1	5/P						
105	F0-00664000	MWC-2S	1	1/P						
106	X0-00077000	S/PAN/SWWP-M3X8-NI	5	10/P						
107	F0-01179000	WWS-2U	3	5/P						
108	F0-00338000	WS-2U	2	5/P						
109B	F0-00339000	EHP-6U	1	5/P	NAD,ASD,MJD,ASU, SAD,TWD,CND					To: 109B-1
109B-1	F0-00339000	EHP-6U	1	5/P	NAD,ASD,MJD,ASU, SAD,TWD,CND,KRD	-	-	-	G04L674	To: 109B-2





Model:

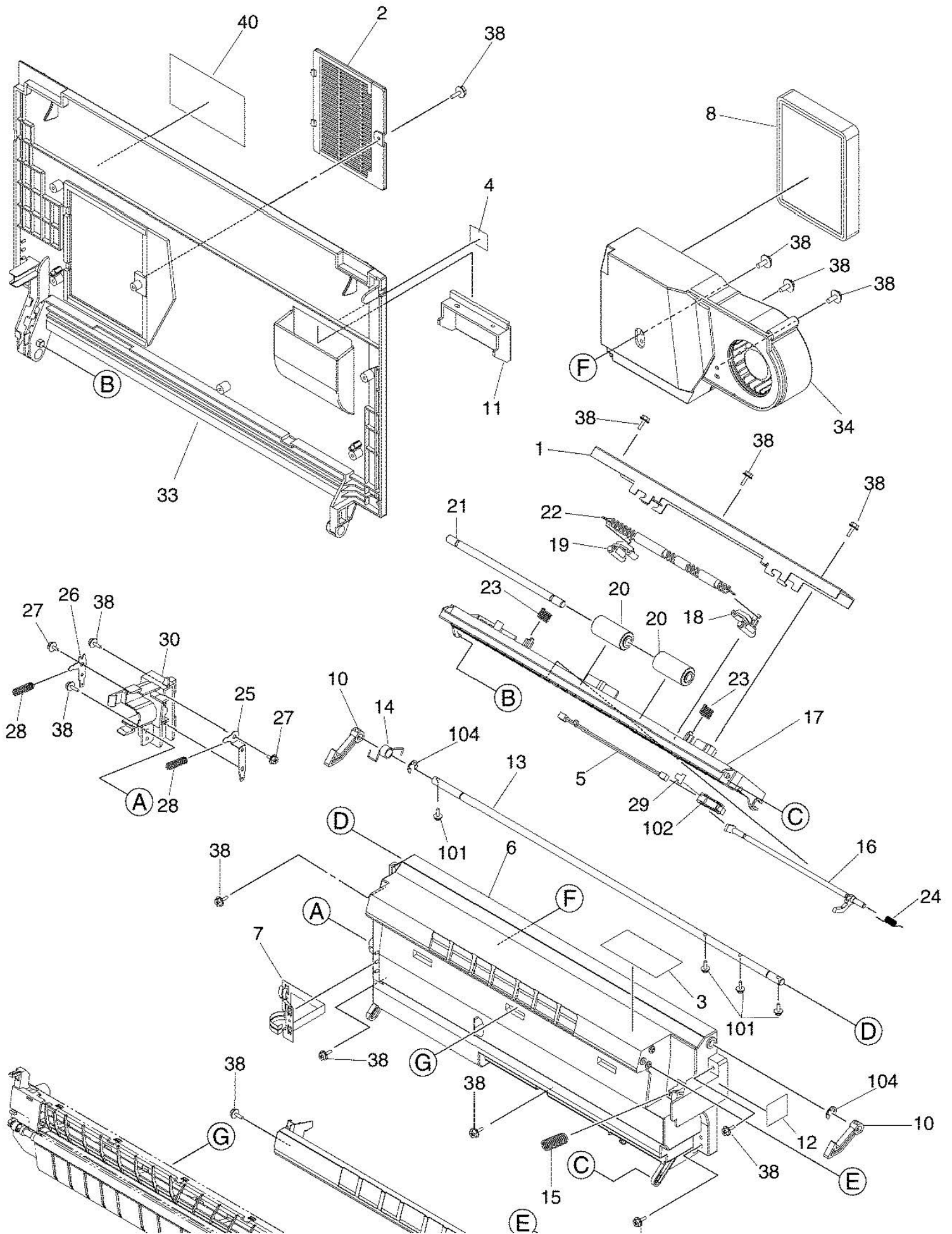
Page:

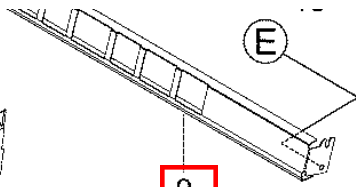
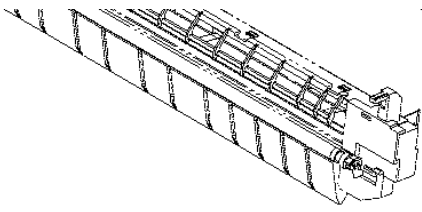
Issue

Date:

Item No.	Parts No.	Parts Name	QTY / Unit	QTY / Pack	Part remarks	Catg.	Serial No.	P	I	R	BSI No.	Change	PC Board
1	6LA88203000	STAY-REALY-FEED	1	1/P									
2	6LA88380000	ASYS-COV-FILTER	1	1/P								To: 2-1	
2-1	6LA88382000	COV-FILTER-03	1	1/P				C	E	E	G05C810	From: 2	
3	44204544000	LABEL-DRUM-PS	1	1/KP								To: 3B	
3A	44204544000	LABEL-DRUM-PS	1	1/KP	NAD,ASD,MJD,ASU, SAD,TWD,CND			-	-	-	G04L674	From: 3	
3B	6LA81002000	LBL-DRUM-PS-373K	1	1/KP	KRD			A	-	J	G04L674	From: 3	
4	6LA67028000	LBL-JAM-1	1	5/KP									
5	6LA89456000	HRNS-1STFED-SW-371	1	1/P									
6	6LA88320000	CASE-COV-SIDE	1	1/PP									
7	6LA88340000	EARTH-CASE-TR	1	1/C									
8	6LA88260000	ASYS-FILTER-OZN	1	1/C		MSP							
9	6LA88337000	GUIDE-TR	1	1/P									
10	6LA88331000	HOOK-COV-SIDE	2	1/P									
11	6LA88328000	LEVER-COV-SIDE	1	1/P									
12	6LA37667000	LBL-O-RGST	1	5/P									
13	6LA88325000	SHAFT-LOCK-COV	1	1/P									
14	6LA88333000	SPA-HOOK	1	1/P									
15	6LA88343000	SPC-CH-TR	1	1/P									
16	6LA85825000	ACTR-RELAY-371	1	1/KP									
17	6LA88316000	GUIDE-RELAY-FED	1	1/P									
18	6LA88317000	LVR-SEP-RELAY-F-371	1	1/P									
19	6LA88318000	LVR-SEP-RELAY-R-371	1	1/P									
20	6LA85834000	ROL-RELAY-FEED-IDL	2	1/P									
21	6LA85835000	SHAFT-RELAY-IDL	1	1/P									
22	6LA85844000	SPG-FEED-IDL	1	1/P									
23	6LA85845000	SPG-RELAY-GUIDE	2	5/P									
24	6LA85826000	SPR-ACT-RELAY-371	1	1/P									
25	6LA88308000	PLT-CH-S	1	1/P									
26	6LA88309000	PLT-CH-T	1	1/P									
27	6LA08916000	S/TPP/HEX-3X6-NI	2	10/P								To: 27-1	
27-1	X0-02246000	S/TPP/FH/FEXM-3X6-NI	2	10/P				C	E	F	G05E930	From: 27	
28	6LA88313000	SPC-TERM-CH-TR	2	5/P									
29	6LA85910000	MYLAR-SUPPORT-SNS	1	5/P									
30	6LA88305000	TERM-HVT-TR	1	1/P									
33	6LA88210000	ASYS-COV-SIDE	1	1/PP				-	-	-	G04I476		
34	6LA88211000	ASY-COV-DUCT-N	1	1/C				-	-	-	G04I476		
38	6LA08917000	S/TPP/HEX-3*8-NI	14	10/P								To: 38-1	
38-1	X0-02247000	S/TPP/FH/FEXM-3X8-NI	14	10/P				C	E	F	G05E930	From: 38	
40	6LA91475000	LBL-O-PLACE-COV-373	1	1/KP				-	-	-	G04I476		
101	X0-00077000	S/PAN/SWWP-M3X8-NI	4	10/P									
102	C0-07598000	GP1A73AR	1	1/P								To: 102-1	
102-1	C0-10813000	GP1A73ARJ00F	1	1/P				C	E	F	G05F017	From: 102	
104	X0-00966000	RR/E-5-SS	2	10/P									





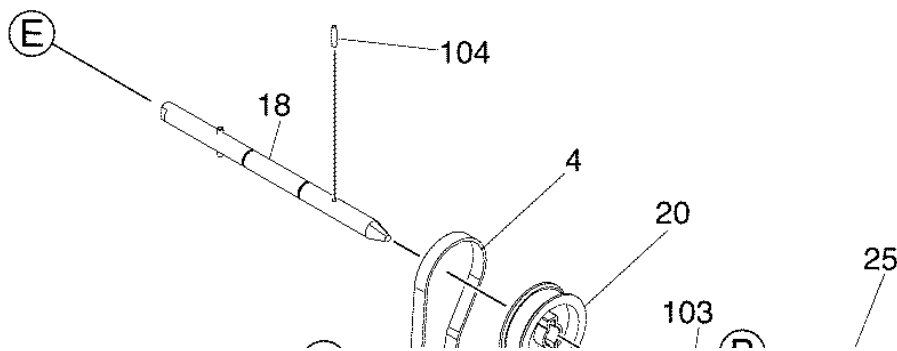


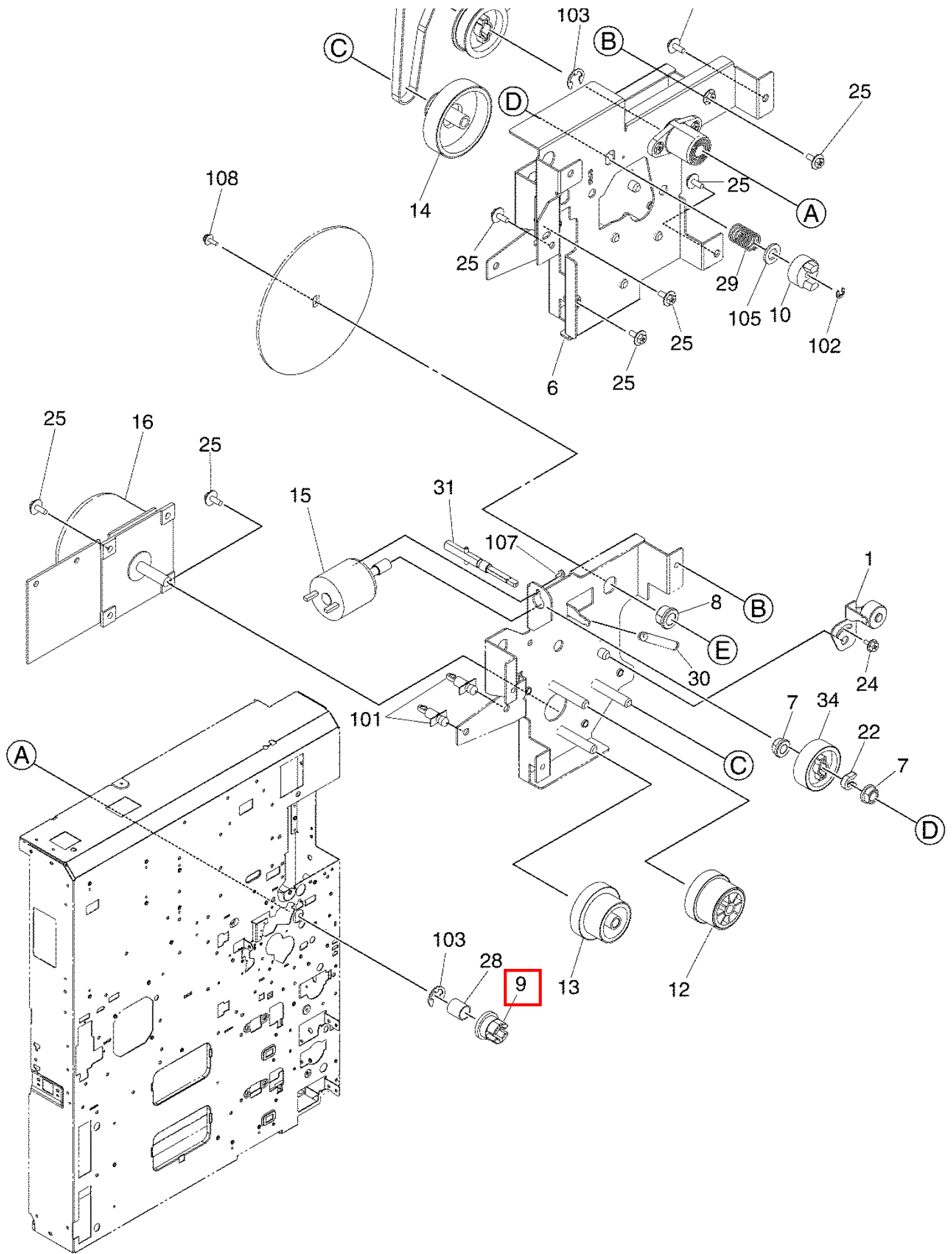
Model:

Page:

Issue  
Date:

Item No.	Parts No.	Parts Name	QTY / Unit	QTY / Pack	Part remarks	Catg.	Serial No.	P	I	R	BSI No.	Change	PC Board
1	6LA82257000	ASYB-BLT-TENS-DRM	1	1/P									
2	6LA82203000	ASYS-BRKT-DRV-R-BLT	1	1/P									
4	6LA82230000	BLT-SY-S2M-224-6	1	1/P									
6	6LA82452000	ASY-DRIVE-SP	1	1/C				-	-	-	G04I460		
7	44201492000	BUSH-6-POM	2	5/P									
8	6LA65698000	BUSH-8X12X8F	1	5/P									
9	41314022000	CPG-DRUM-AW5	1	1/P									
10	41306070000	CPG-TC-AT5	1	1/P									
12	6LA82225000	GEAR-5H61-8H33-6	1	1/P									
13	6LA82217000	GEAR-5H67-8H31-6	1	1/P									
14	6LA82241000	GEAR-8H56-PS2M26-6	1	1/P									
15	41309035000	M/DC-TNR-AW	1	1/C								To: 15-1	
16	6LA82209000	MOTR-D-MAIN-371	1	1/C									
18	6LA82249000	ASYS-SFT-DRUM-371	1	1/P									
20	6LA82245000	PULLEY-PS2M54-6	1	1/P									
22	4407972860	STOP-RING-6-5	1	5/P									
24	6LA08908000	S/TPS/HEX-3*6-NI	1	10/P				-	-	-	G04I460	To: 24-1	
24-1	X0-02238000	S/TPS/FHEXM-3X6-ZU3	1	10/P				C	E	F	G05E996	From: 24	
25	6LA08913000	S/TPS/HEX-4*8-NI	8	10/P								To: 25-1	
25-1	X0-02243000	S/TPS/FHEXM-4X8-ZU3	8	10/P				C	E	F	G05E996	From: 25	
28	6LA82235000	SPG-C-10R7X14R7R	1	5/P								To: 28-1	
28-1	6LA79504000	SPG-C-173	1	5/P				C	E	G	G05C774	From: 28	
29	6LA82237000	SPG-C-11R8*R8*24L-TC	1	1/P									
30	6LA82233000	SPG-E-5XR55X29R37-TNS	1	1/P									
31	6LA82251000	ASYS-SFT-DRV-TNR	1	1/P									
34	6LA82234000	WHEEL-WORM-TNR	1	1/P									
101	F0-00343000	SPLSN-8U	2	5/P									
102	X0-00964000	RR/E-3-SS	1	10/P									
103	X0-00968000	RR/E-7-SS	2	10/P									
104	X0-00980000	P/PRL/AH7-2X10-SS	1	10/P									
105	X0-00922000	W/PL/SJ0-8-ZC	1	5/P								To: 105-1	
107	X0-01670000	S/PAN-M2.6X4-NC	1	10/P									
108	X0-00077000	S/PAN/SWWP-M3X8-NI	1	10/P									





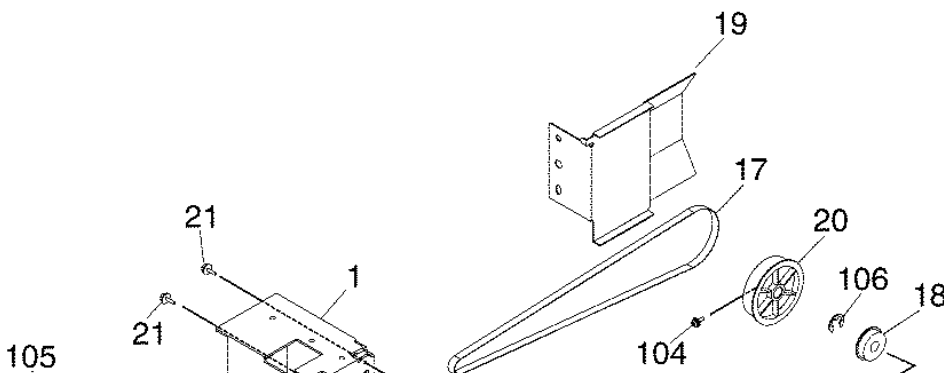


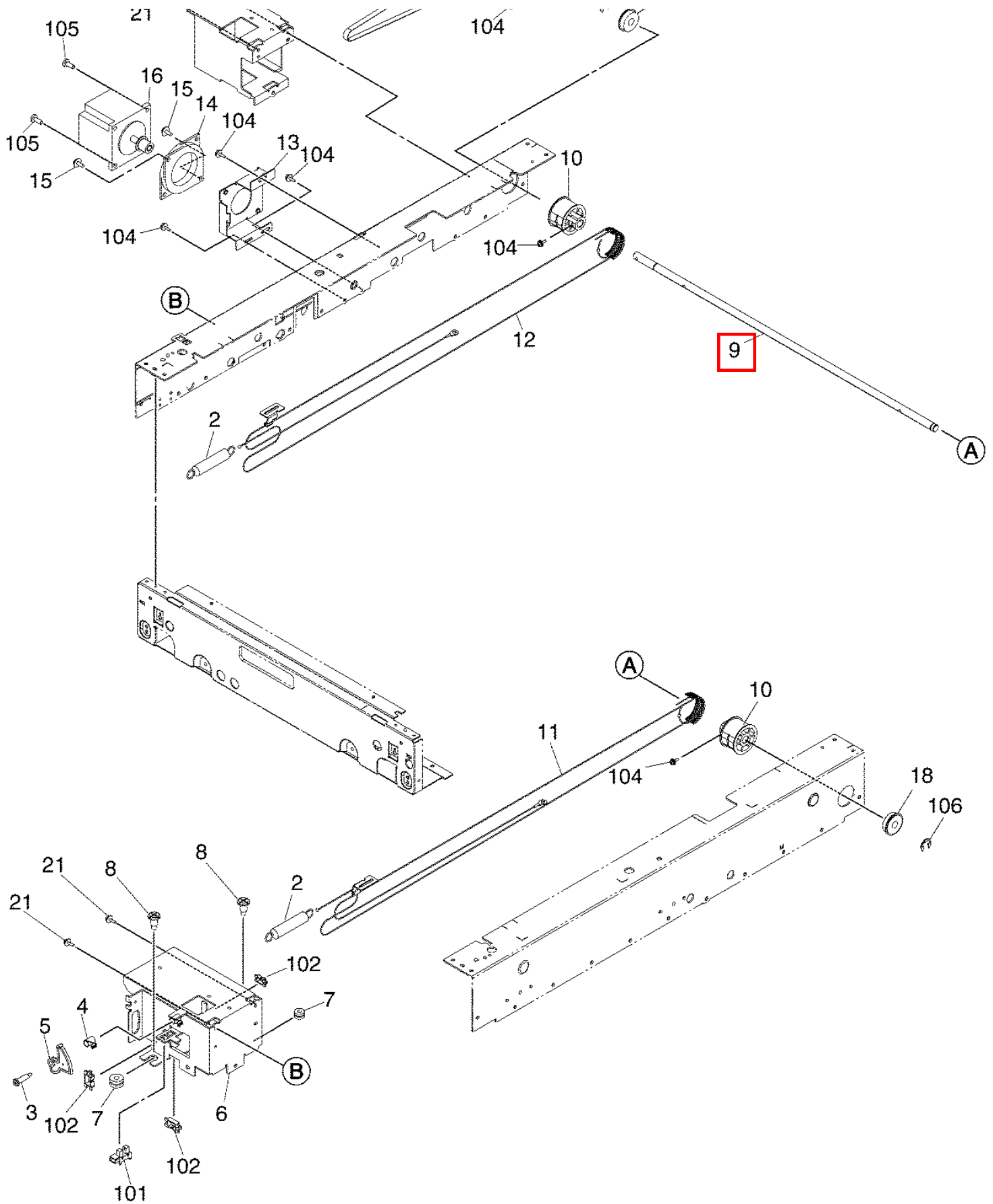
Model:

Page:

Issue  
Date:

Item No.	Parts No.	Parts Name	QTY / Unit	QTY / Pack	Part remarks	Catg.	Serial No.	P	I	R	BSI No.	Change	PC Board
1	6LA39782000	BRKT-DF-RGT-350	1	1/P									
2	44202660000	SPE-WIRE-TENS	2	1/P									
3	6LA67393000	SHAFT-OPN-SNS	1	1/P									
4	44202846000	SPR-OPEN-SNS	1	1/P									
5	44202845000	LVR-OPEN-SNS	1	1/P									
6	6LA86452000	BRKT-DF-LFT-SCAN	1	1/P								To: 6-1	
7	6LA39794000	GROMMET-DF	2	5/P								To: 7-1	
7-1	F0-01392000	RF7042L2	2	5/P				C	E	F	G05E930	From: 7	
8	6LA67469000	SCREW-SCAN-DF	2	5/P									
9	6LA39397000	SHAFT-DRV-SCAN	1	1/P									
10	6LA01742000	PLY-WIRE-SCAN	2	1/P									
11	6LA39410000	ASYS-WIR_RP-SCAN-FRT	1	1/P									
12	6LA39430000	ASYS-WIR_RP-SCAN-RER	1	1/P									
13	6LA39733000	BRKT-MOTR-SCAN	1	1/P									
14	6LA39739000	DUMPER-MOTR	1	1/P									
15	6LA08913000	S/TPS/HEX-4*8-NI	2	10/P								To: 15-1	
15-1	X0-02243000	S/TPS/FHEXM-4X8-ZU3	2	10/P				C	E	F	G05E996	From: 15	
16	6LA67446000	ASYS-MOTR-SCAN	1	1/C									
17	6LA39745000	BLT_SY-560-S2M-6	1	1/P									
18	4407545610	BRG-608ZZNR	2	1/P								To: 18-1	
18-1	F0-01360000	608ZZNRA2	2	1/P				C	E	F	G05E996	From: 18	
19	6LA39784000	COVER-PILLEY	1	1/P									
20	6LA39444000	PULLEY-73S2M	1	1/P									
21	6LA08909000	S/TPS/HEX-3*8-NI	4	10/P								To: 21-1	
21-1	X0-02239000	S/TPS/FHEXM-3X8-ZU3	4	10/P				C	E	F	G05E996	From: 21	
101	C0-07598000	GP1A73AR	1	1/P								To: 101-1	
101-1	C0-10813000	GP1A73ARJ00F	1	1/P				C	E	F	G05F017	From: 101	
102	F0-00041000	EDS-2	3	5/P									
104	X0-00077000	S/PAN/SWWP-M3X8-NI	3	10/P									
105	X0-00455000	S/BID-M4X10-NI	2	10/P									
106	X0-00968000	RR/E-7-SS	2	10/P									









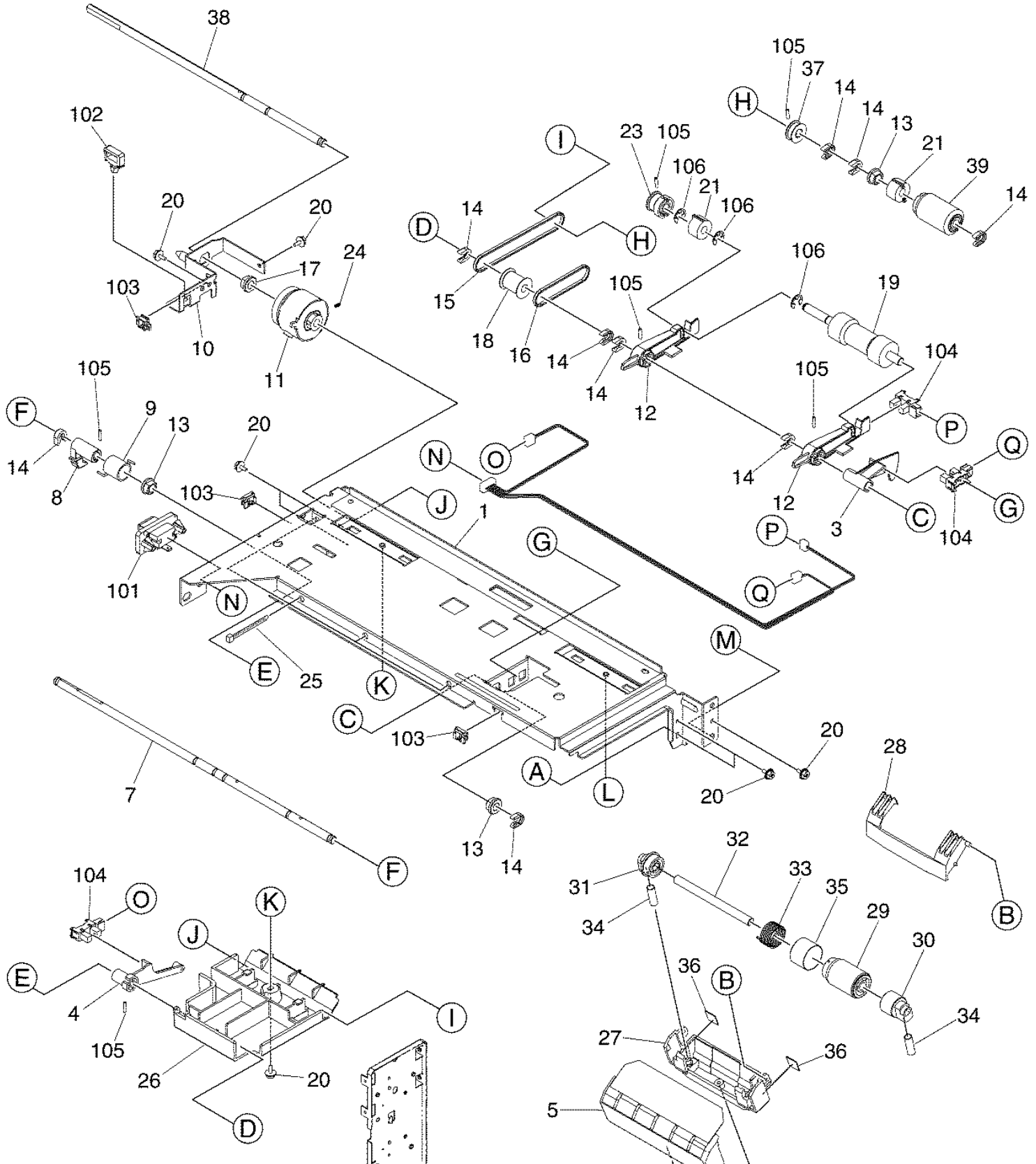
Model:

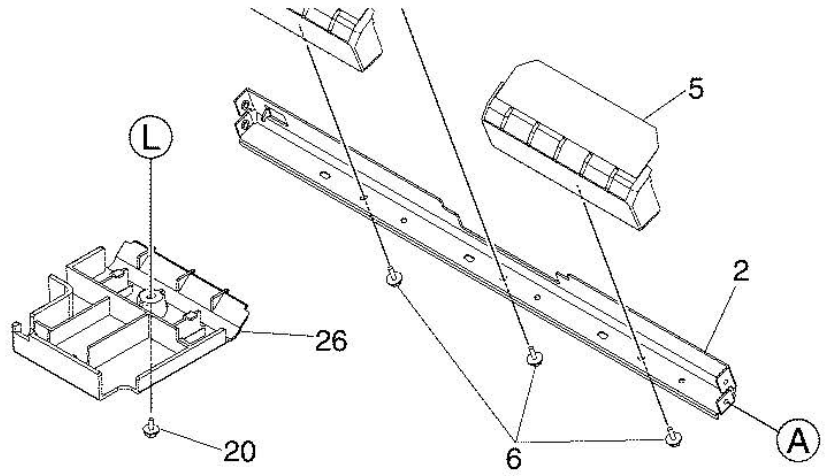
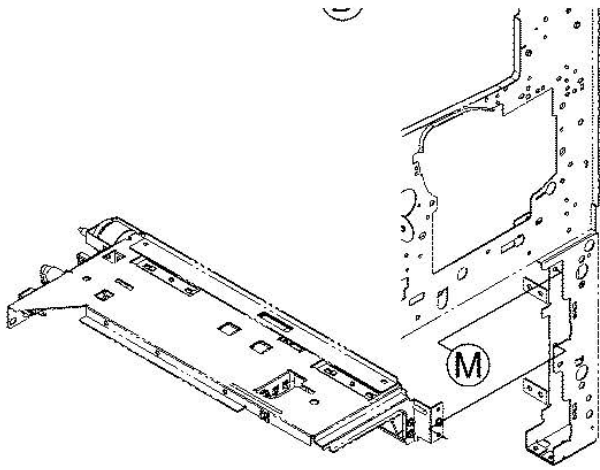
Page:

Issue  
Date:

Item No.	Parts No.	Parts Name	QTY / Unit	QTY / Pack	Part remarks	Catg.	Serial No.	P	I	R	BSI No.	Change	PC Board
1	6LA47892000	ASYS-BRKT-FEED-UNIT	1	1/PP									
2	6LA47898000	BRKT-ROL-SEP	1	1/P									
3	41306012000	ACTR-EMPTY-PPR	1	1/P									
4	41318603000	ARM-FEED-UNIT	1	1/P									
5	6LA66947000	ASYS-GUIDE-P-SEP	2	1/KP									
6	6LA08917000	S/TPP/HEX-3*8-NI	3	10/P								To: 6-1	
6-1	X0-02247000	S/TPP/FH/FEXM-3X8-NI	3	10/P				C	E	F	G05E930	From: 6	
7	41318604000	SFT-DRV-PICK	1	1/P									
8	6LA47910000	LEVER-RLR-PICK	1	1/P									
9	41305501000	SPR-LVR-PICK	1	1/P									
10	6LA47895000	ASYS-BRKT-CLT	1	1/P									
11	6LA31944000	CLUTCH-33C-6-CW-GEAR	1	1/D									
12	41306011000	ARM-RLR-PICK	2	1/P									
13	44201492000	BUSH-6-POM	3	5/P									
14	4407972860	STOP-RING-6-5	9	5/P									
15	41306504000	BLT/T-194-2GT-2	1	1/P									
16	41306502000	BLT/T-124-2GT-2	1	1/P									
17	4407734980	BUSH-6-GCB	1	5/P									
18	41306002000	PLY/T-PICK-20	1	1/P									
19	41306719000	ROLLER-PICK-AT	1	1/KP		MSP							
20	6LA08908000	S/TPS/HEX-3*6-NI	10	10/P								To: 20-1	
20-1	X0-02238000	S/TPS/FHEXM-3X6-ZU3	10	10/P				C	E	F	G05E996	From: 20	
21	4406584800	CLUTCH-6-08L2	2	1/P									
22	6LA41754000	HRNS-PFP-FED-UNIT-576	1	1/P									
23	41306275000	PLY/T-20-2GT	1	1/P									
24	X0-00730000	S/SET/K-M3X4-B	1	10/P									
25	4400682590	SKB-KI-100M	4	5/P								To: 25-1	
25-1	F0-01470000	KI-100M	4	5/P				C	E	F	G05E930	From: 25	
26	6LA47908000	GUIDE-P-FEED	2	1/P									
27	44201805000	HLDR-SEP-ROL-DM	1	1/P									
28	44201810000	LEV-ROL-SEP-DM	1	1/P									
29	41304047100	K-ROLL-SPT	1	1/P		MSP							
30	41306279000	ARBOR-SPT-F	1	1/P									
31	41306278000	ARBOR-SPT-R	1	1/P									
32	41304506000	SFT-SEP-AT	1	1/P									
33	44201817000	SPR-1.0-15.60RF	1	5/P									
34	6LA47909000	SPC055-045-01525	2	5/P									
35	44201773000	COV-SPE/ARBOR	1	1/P									
36	41319491000	CHIP-HLDR-SEP	2	1/P									
37	41306274000	PLY/T-20-ROL-2G	1	1/P									
38	6LA47900000	SFT-ROL-FEED	1	1/P								To: 38-1	
38-1	41304508000	SFT-ROL-FEED	1	1/P				C	E	F	G05F005	From: 38	
39	4401964410	K-ROLL-FEED	1	1/P		MSP						To: 39-1	
101	E0-01105000	54702-1211	1	5/P								To: 101-1	
102	F0-00235000	LWS-1S	1	5/P									
103	F0-00671000	EDS-0607M	3	5/P									
104	C0-07598000	GP1A73AR	3	1/P								To: 104-1	

104-1	C0-10813000	GP1A73ARJ00F	3	1/P				C E F	G05F017	From: 104
105	X0-00979000	P/PRL/AH7-2X8-SS	5	10/P						
106	X0-00966000	RR/E-5-SS	3	10/P						



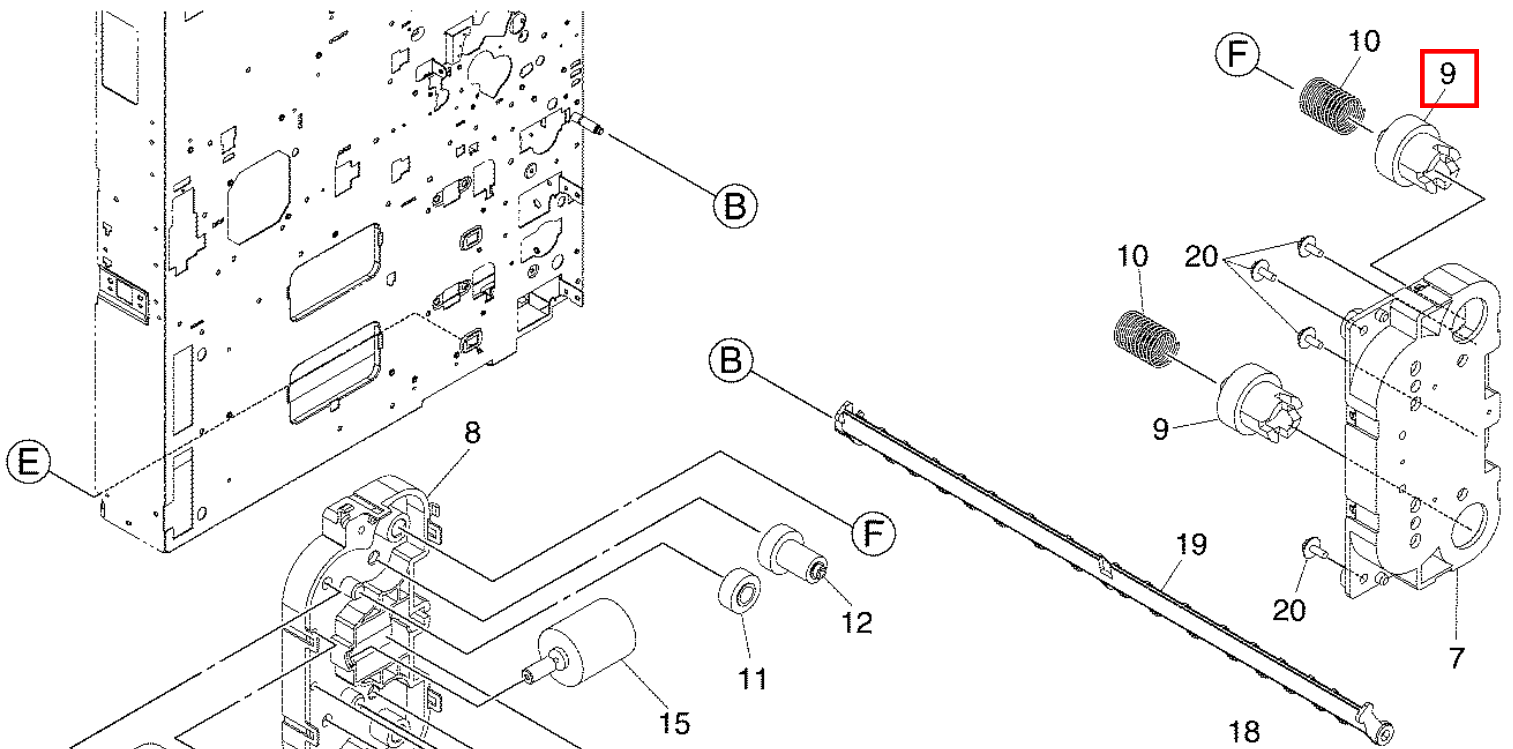


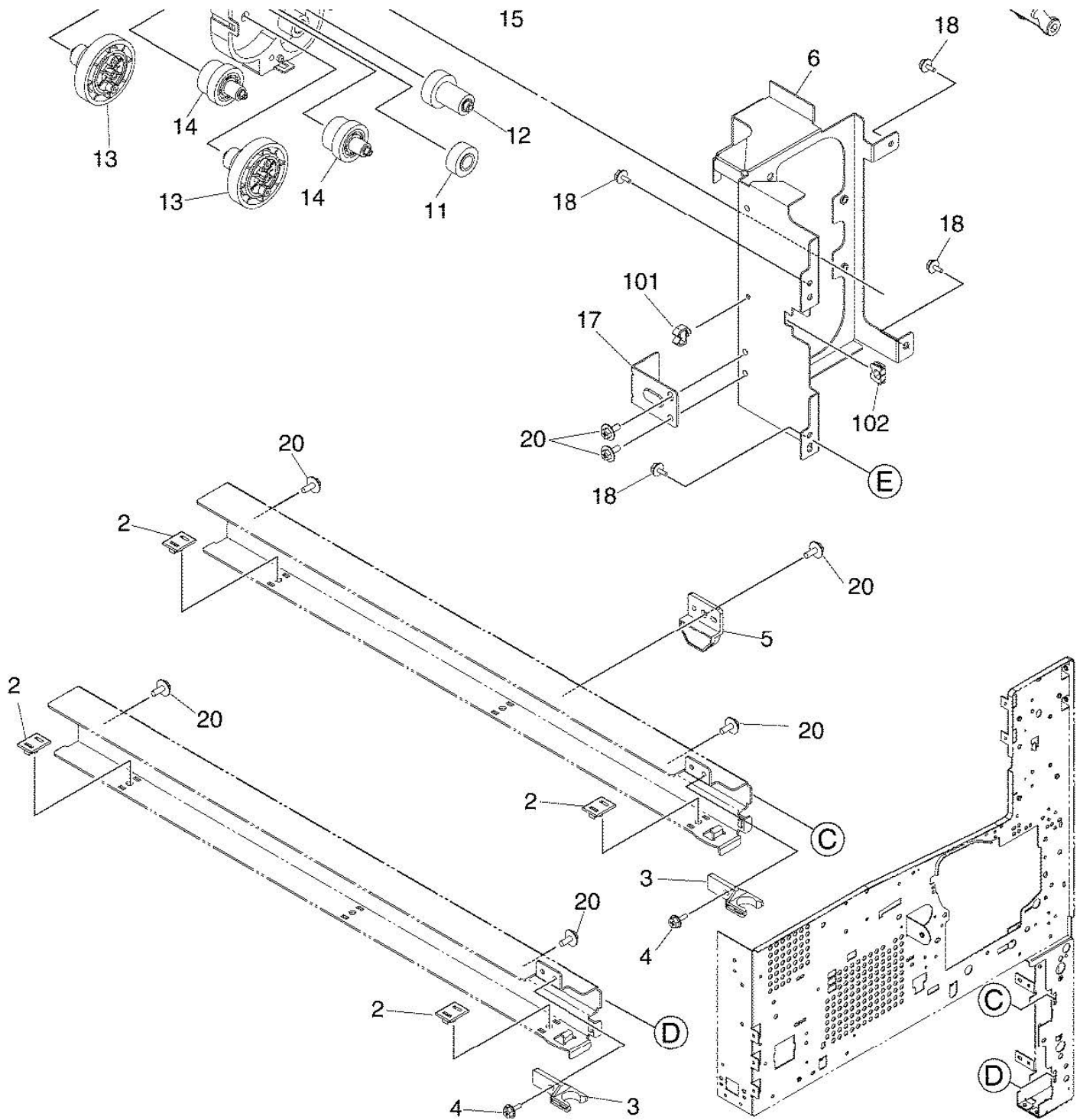
Model:

Page:

Issue  
Date:

Item No.	Parts No.	Parts Name	QTY / Unit	QTY / Pack	Part remarks	Catg.	Serial No.	P	I	R	BSI No.	Change	PC Board
2	41306007000	SLIDER-CST	4	1/P									
3	44201601000	CATCH-CST-320	2	1/P									
4	6LA08909000	S/TPS/HEX-3*8-NI	2	10/P								To: 4-1	
4-1	X0-02239000	S/TPS/FHEXM-3X8-ZU3	2	10/P				C	E	F	G05E996	From: 4	
5	6LA82867000	HOLDER-FEEDER-371	1	1/P									
6	6LA83063000	BRKT-TRAY-UP-MOT	1	1/P									
7	44201850000	CASE-DRV-TRY-F	1	1/D									
8	44201851000	CASE-DRV-TRY-R	1	1/C									
<b>9</b>	<b>41306022000</b>	<b>CPG-LIFT-28</b>	<b>2</b>	<b>1/P</b>									
10	4401966050	SPC172-100-3400	2	1/P								To: 10-1	
11	41306025000	GER-TRAY-21	2	1/P									
12	41306024000	GER-TRAY-24-14	2	1/P									
13	44201853000	G06S-13/G05S-80	2	1/P									
14	44201854000	G05H-45/G05S-15	2	1/P									
15	4401981710	K-M/DC-TRAY-210	1	1/D									
17	6LA81314000	BRKT-PCI-371	1	1/P									
18	6LA08908000	S/TPS/HEX-3*6-NI	4	10/P								To: 18-1	
18-1	X0-02238000	S/TPS/FHEXM-3X6-ZU3	4	10/P				C	E	F	G05E996	From: 18	
19	6LA79064000	GUIDE-JUNCTION-371	1	1/P									
20	6LA08913000	S/TPS/HEX-4*8-NI	13	10/P								To: 20-1	
20-1	X0-02243000	S/TPS/FHEXM-4X8-ZU3	13	10/P				C	E	F	G05E996	From: 20	
101	F0-00043000	UAMS-05SN-W	1	5/P									
102	F0-00339000	EHP-6U	1	5/P								To: 102-1	



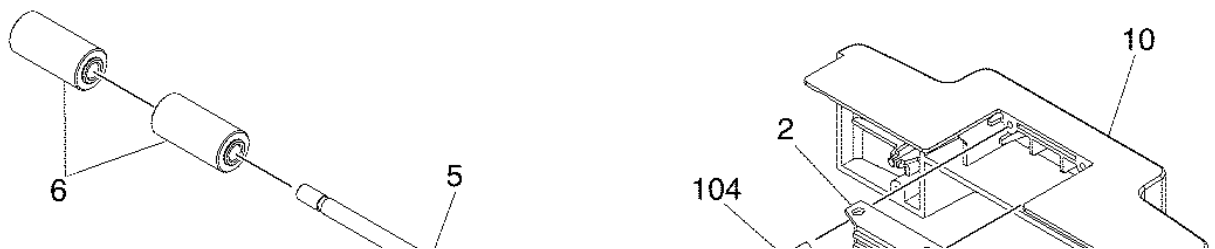


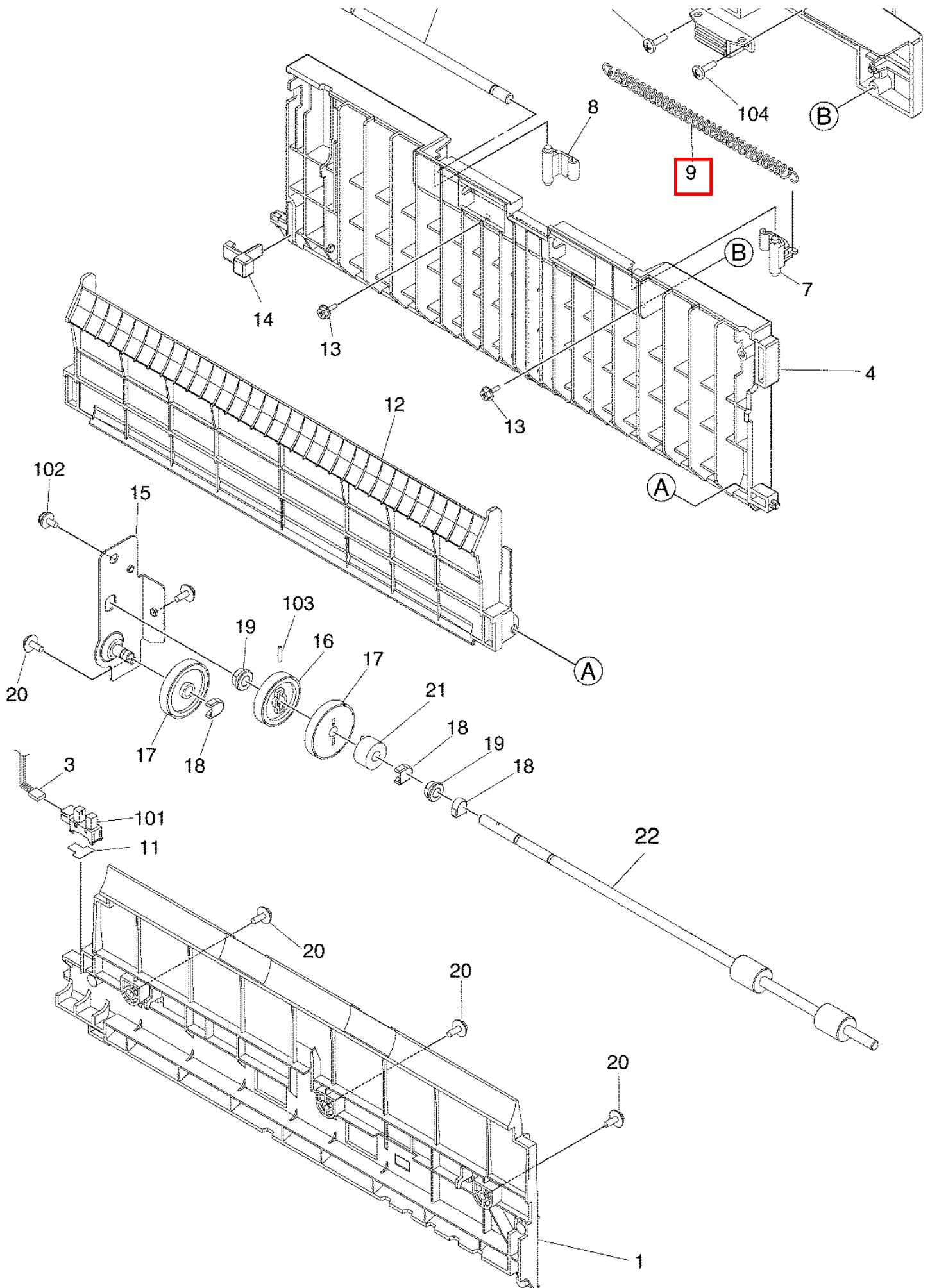
Model:

Page:

Issue  
Date:

Item No.	Parts No.	Parts Name	QTY / Unit	QTY / Pack	Part remarks	Catg.	Serial No.	P	I	R	BSI No.	Change	PC Board
1	6LA82818000	ASYS-GID-FEED-L-371	1	1/PP									
2	44200424000	MG-CATCH-44	1	1/P								To: 2-1	
2-1	F0-01393000	CA-0124B	1	1/P				C	E	F	G05E930	From: 2	
3	6LA89459000	HRNS-CST-SDCV-371	1	1/P									
4	6LA82822000	COVER-GUIDE-LOW-371	1	1/PP									
5	6LA85835000	SHAFT-RELAY-IDL	1	1/P									
6	6LA85834000	ROL-RELAY-FEED-IDL	2	1/P									
7	6LA88317000	LVR-SEP-RELAY-F-371	1	1/P									
8	6LA88318000	LVR-SEP-RELAY-R-371	1	1/P									
9	6LA82827000	SPG-E-6R7XR7X79R55	1	1/P									
10	6LA82823000	COVER-GUIDE-LOW-HDL	1	1/PP									
11	6LA85910000	MYLAR-SUPPORT-SNS	1	5/P									
12	6LA82824000	GUIDE-OPEN-L-371	1	1/PP									
13	6LA08917000	S/TPP/HEX-3*8-NI	2	10/P								To: 13-1	
13-1	X0-02247000	S/TPP/FH/FEXM-3X8-NI	2	10/P				C	E	F	G05E930	From: 13	
14	6LA82825000	STOPPER-COV-GID-371	1	1/P									
15	6LA83092000	ASYS-BRKT-DRV-FIX	1	1/P									
16	6LA83114000	GEAR-10S028-06	1	1/P									
17	6LA83111000	GEAR-10S031-06	2	1/P									
18	4407972860	STOP-RING-6-5	3	5/P									
19	4407734980	BUSH-6-GCB	2	5/P									
20	6LA08913000	S/TPS/HEX-4*8-NI	5	10/P								To: 20-1	
20-1	X0-02243000	S/TPS/FHEXM-4X8-ZU3	5	10/P				C	E	F	G05E996	From: 20	
21	4406584800	CLUTCH-6-08L2	1	1/P									
22	6LA83001000	ROL-FEEDER-371	1	1/KP									
101	C0-07598000	GP1A73AR	1	1/P								To: 101-1	
101-1	C0-10813000	GP1A73ARJ00F	1	1/P				C	E	F	G05F017	From: 101	
102	X0-00164000	S/PAN/SWWP-M4X8-NI	1	10/P									
103	X0-00980000	P/PRL/AH7-2X10-SS	1	10/P									
104	X0-01989000	S/TPP/BID-3X8-NI	2	10/P									







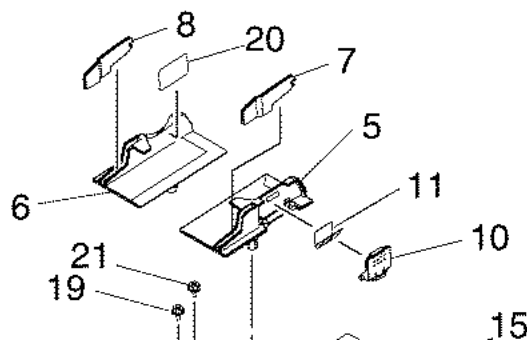


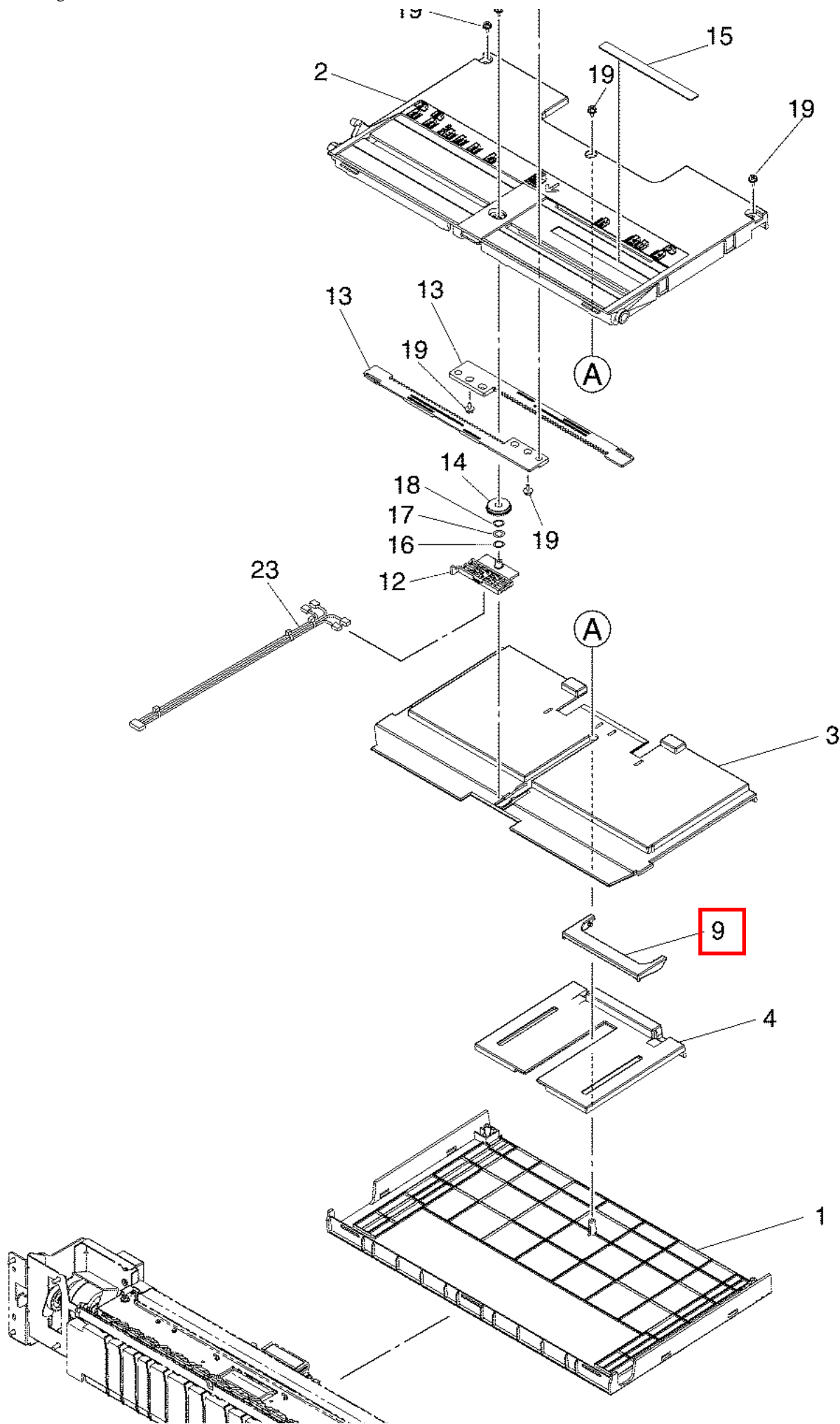
Model:

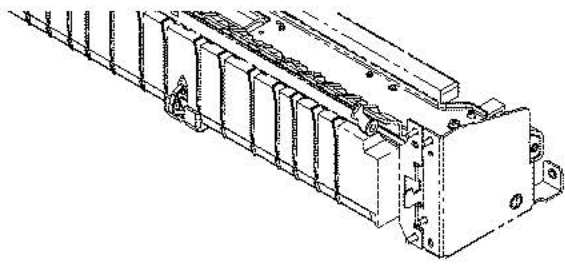
Page:

Issue  
Date:

Item No.	Parts No.	Parts Name	QTY / Unit	QTY / Pack	Part remarks	Catg.	Serial No.	P	I	R	BSI No.	Change	PC Board
1	6LA79092000	TRAY-BYPASS-L-371	1	1/PP									
2	6LA78911000	TRAY-BYPASS-U-371	1	1/PP									
3	6LA79101000	TRAY-BYP-MID	1	1/PP									
4	6LA64859000	TRAY-BYP-M-SUB	1	1/D									
5	6LA79094000	GUIDE-TRAY-BYP-F-371	1	1/P									
6	6LA79095000	GUIDE-TRAY-BYP-R-371	1	1/P									
7	6LA79102000	GUIDE-SUB-F-371	1	1/P									
8	6LA79103000	GUIDE-SUB-R-371	1	1/P									
9	6LA64856000	STOP-PAPER-BYP	1	1/P									
10	6LA79104000	LVR-GUIDE-F-371	1	1/P									
11	6LA79105000	SPG-GUIDE-F-371	1	1/P									
12	6LA78990000	ASYS-HOLDER-PINI-371	1	1/C									
13	6LA79096000	RACK-BYP-371	2	1/PP									
14	4407726480	PINION-18-395	1	1/P									
15	6LA29009000	SHEET-PAD-GUIDE-F	1	1/KP									
16	6LA78908000	WASHER-6R2X9R5XR13-PL	1	5/P									
17	4400974200	WASHER-W-6-10	1	10/P									
18	6LA78907000	WASHER-6R2X9R5XR25-PL	1	5/P									
19	6LA08916000	S/TPP/HEX-3X6-NI	5	10/P								To: 19-1	
19-1	X0-02246000	S/TPP/FH/FEXM-3X6-NI	5	10/P				C	E	F	G05E930	From: 19	
20	6LA91348000	LBL-HIGH-TRAY-371	1	5/P									
21	6LA08917000	S/TPP/HEX-3*8-NI	1	10/P								To: 21-1	
21-1	X0-02247000	S/TPP/FH/FEXM-3X8-NI	1	10/P				C	E	F	G05E930	From: 21	
23	6LA89429000	HRNS-SFB-SIZE-371	1	1/P									





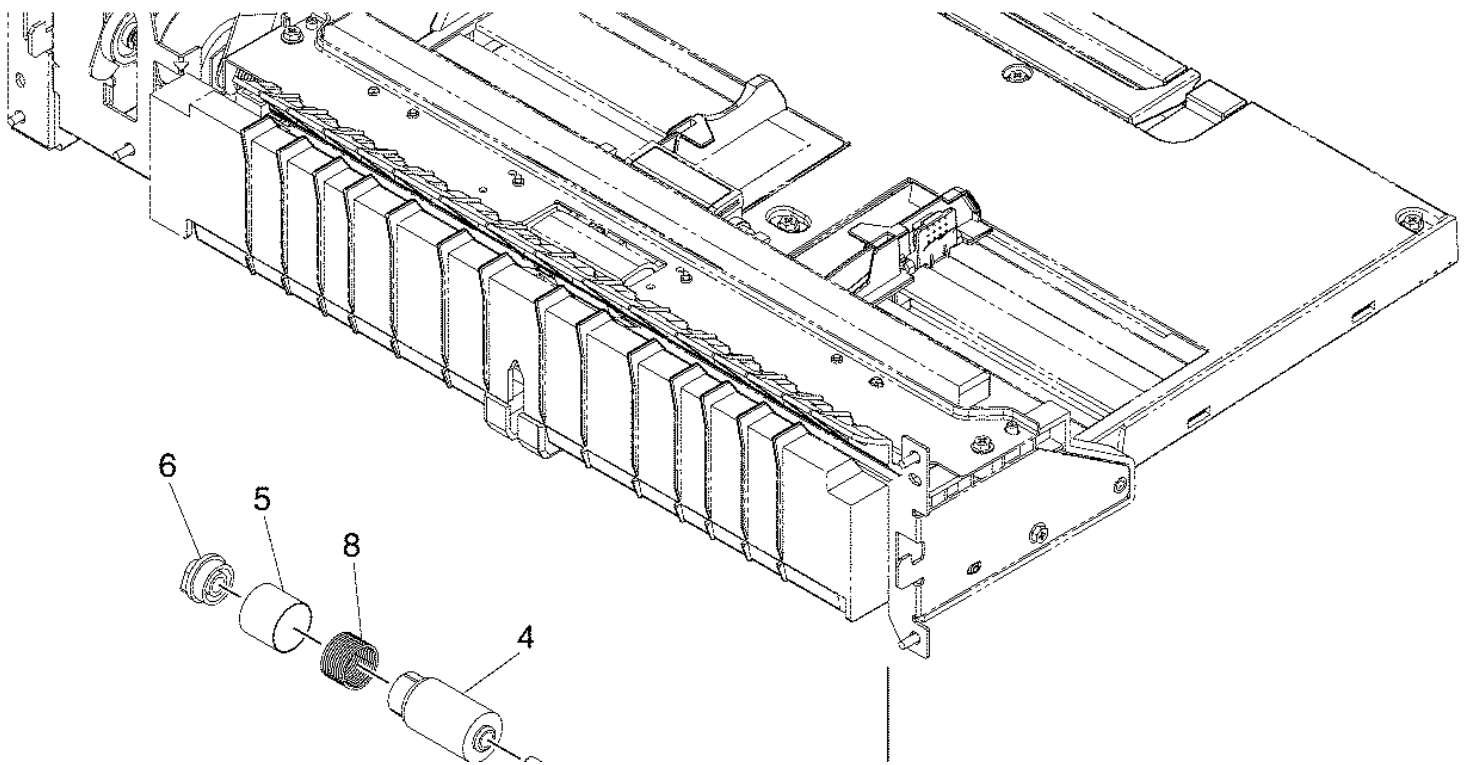


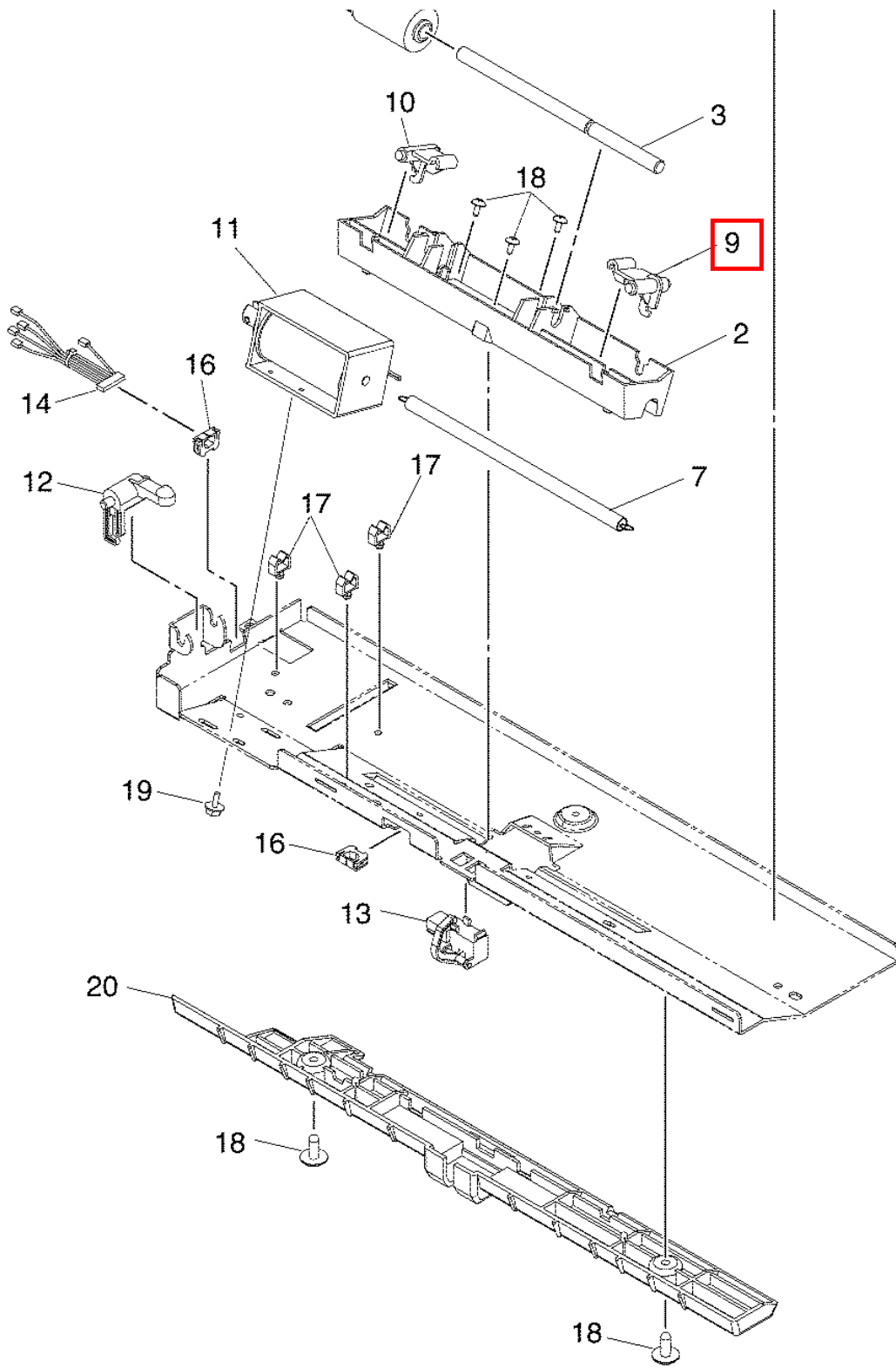
Model:

Page:

Issue  
Date:

Item No.	Parts No.	Parts Name	QTY / Unit	QTY / Pack	Part remarks	Catg.	Serial No.	P	I	R	BSI No.	Change	PC Board
2	6LA78957000	HLDR-SPT-BYP-371	1	1/P									
3	6LA78962000	SHAFT-SPT-BYP-371	1	1/P									
4	6LA28899000	ASYS-ROLL-SPT-L30	1	1/P		MSP							
5	6LA28861000	COVER-SPE-ARBOR-17	1	1/P									
6	6LA28863000	ARBOR-SPT-BYP	1	1/P									
7	6LA28840000	SPG-E-6XR6X91R7R	1	1/P									
8	6LA28865000	SPG-1.0-0.15-65-13L	1	1/P									
9	6LA78959000	LVR-SPT-BYP-F-371	1	1/P									
10	6LA78960000	LVR-SPT-BYP-R-371	1	1/P									
11	6LA04769000	SOL-SFB-340	1	1/P								To: 11-1	
11-1	6LA15259000	SOL-SFB-340	1	1/D				C	E	J	G04K607	From: 11	
12	6LA78981000	LVR-PICKUP-SOL-371	1	1/P									
13	4401983080	SZ-FED-210	1	1/P								To: 13-1	
13-1	6LE09239000	SNSR-FED-390	1	1/P				C	E	J	G05E993	From: 13	
14	6LA89430000	HRNS-SFB-371	1	1/P									
15	6LA78941000	BRKT-MG-CATCH-371	1	1/P								To: 15-1	
15-1	6LA78941000	BRKT-MG-CATCH-371	0	1/P				B	D	E	G05B766	From: 15	
16	F0-00339000	EHP-6U	2	5/P								To: 16-1	
17	F0-00044000	UAMS-05-2	3	5/P									
18	6LA08935000	SCR-M3X6BISR-NI	7	10/P								To: 18-1	
18-1	6LA08935000	SCR-M3X6BISR-NI	5	10/P				D	-	E	G05B766	From: 18	
19	X0-00430000	S/BID-M3X6-NI	2	10/P									
20	6LA78931000	GUIDE-FEED-L-SNS	1	1/P									





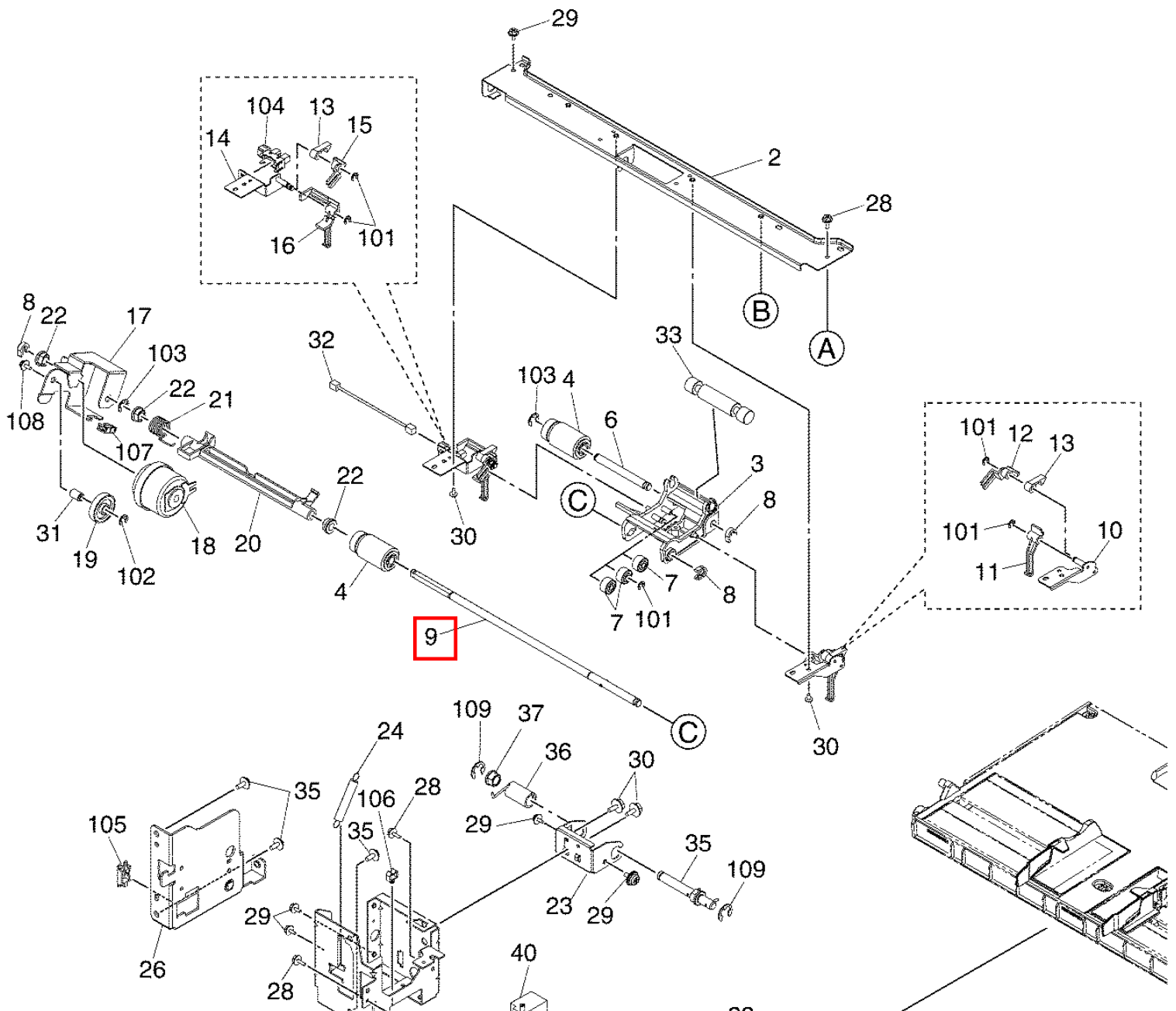
Model:

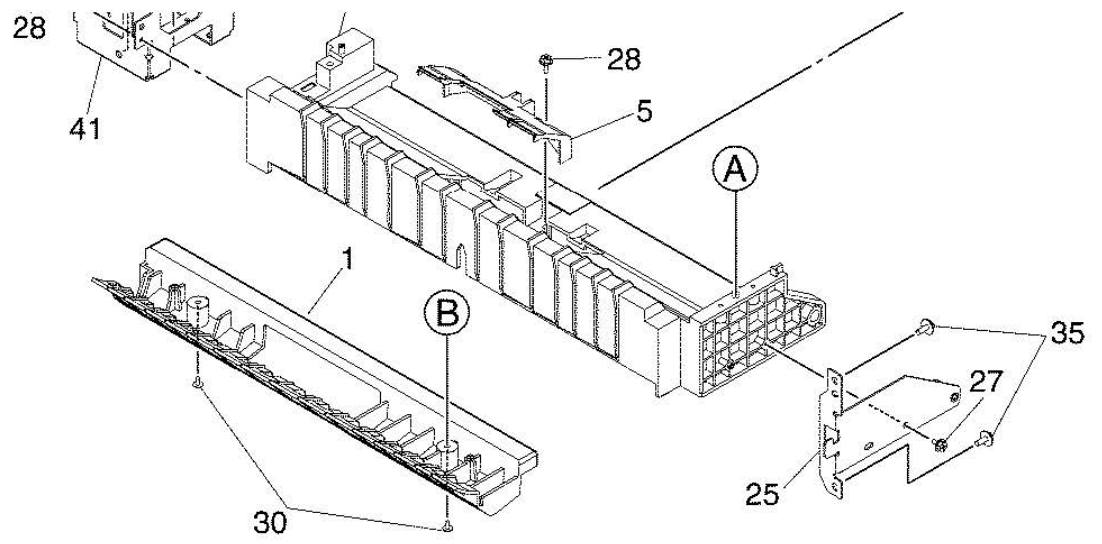
Page:

Issue  
Date:

Item No.	Parts No.	Parts Name	QTY / Unit	QTY / Pack	Part remarks	Catg.	Serial No.	P	I	R	BSI No.	Change	PC Board
1	6LA79063000	GUIDE-BYP-UP-371	1	1/PP									
2	6LA78909000	STAY-BYP-U-371	1	1/P				-	-	-	G04I476		
3	6LA79033000	ARM-PICK-371	1	1/P									
4	6LA79037000	ASYS-ROL-PICK-371	2	1/P		MSP							
5	6LA78904000	ASYS-LID-FRAME-BYP-371	1	1/PP									
6	6LA79067000	SHAFT-PICK-UP-BYP	1	1/P									
7	6LA79034000	GEAR-06S018-04	3	1/P									
8	4407972860	STOP-RING-6-5	3	5/P									
9	6LA79050000	ASYS-SFT-FEED-BYP	1	1/P									
10	6LA79025000	ASYS-BKT-STOP-F	1	1/P									
11	6LA79024000	STPR-BYP-F-371	1	1/P									
12	4401965250	LEVER-STOPPER-F	1	1/P									
13	4401965270	ARM-STOPPER	2	5/P									
14	6LA79040000	ASYS-BRKT-STPR-R-371	1	1/P									
15	6LA79057000	LVR-STOPPER-R-371	1	1/P									
16	6LA79061000	STPR-BYP-R-371	1	1/P									
17	6LA79072000	ARM-DRV-JOINT-BYP-371	1	1/P								To: 17-1	
17-1	6LA78940000	ARM-DRV-JOINT-BYP-371	1	1/P				C	B	E	G05B766	From: 17	
18	6LA78512000	CLUTCH-G28-06D-35E	1	1/D									
19	6LA79005000	GEAR-10S022-06-DRV	1	1/P									
20	6LA79056000	LVR-PICK-JOINT	1	1/P									
21	6LA78980000	SPG-PICKUP-8-371	1	1/P									
22	4407734980	BUSH-6-GCB	3	5/P									
23	6LA79111000	BRKT-HING-BYP-R	1	1/P									
24	6LA34033000	SPG-E-6XR45X22R8	1	1/P									
25	6LA79081000	ASYS-BKT-TRAY-HINGE	1	1/P									
26	6LA78535000	ASYS-BRKT-HING-ADU-R	1	1/P									
27	6LA08916000	S/TPP/HEX-3X6-NI	1	10/P								To: 27-1	
27-1	X0-02246000	S/TPP/FH/FEXM-3X6-NI	1	10/P				C	E	F	G05E930	From: 27	
28	6LA08917000	S/TPP/HEX-3*8-NI	5	10/P								To: 28-1	
28-1	X0-02247000	S/TPP/FH/FEXM-3X8-NI	5	10/P				C	E	F	G05E930	From: 28	
29	6LA08908000	S/TPS/HEX-3*6-NI	5	10/P								To: 29-1	
29-1	6LA08908000	S/TPS/HEX-3*6-NI	4	10/P				D	-	E	G05B766	To: 29-2	
29-2	X0-02238000	S/TPS/FHEXM-3X6-ZU3	4	10/P				C	E	F	G05E996	From: 29-1	
30	6LA08935000	SCR-M3X6BISR-NI	4	10/P									
31	6LA79073000	STUD-JOINT-BYP-371	1	1/P									
32	6LA89476000	HRNS-SFB-SNR-371	1	1/P									
33	6LA79076000	WEIGHT-ROLLER-PICK	1	1/P									
34	6LA79121000	COVER-JOINT-BYP	1	1/P								To: 34-1	
34-1	6LA79121000	COVER-JOINT-BYP	0	1/P				B	-	E	G05B766	From: 34	
35	6LA28766000	ASYS-SFT-TRAY-BYP-350	1	1/P									
36	6LA79112000	SPA-HINGE-BYP-371	1	1/P									
37	6LA65698000	BUSH-8X12X8F	1	5/P								To: 37-1	
37-1	4400802080	BUSH-8	1	5/P				C	E	E	G05A690	From: 37	
40	6LA78920000	ASYS-FRAME-BYP-371	1	1/PP									
41	6LA78923000	FRAME-SUB-BYP-371	1	1/PP									
101	X0-00964000	RR/E-3-SS	5	10/P									
102	X0-00965000	RR/E-4-SS	1	10/P									

103	X0-00966000	RR/E-5-SS	2	10/P						
104	C0-07598000	GP1A73AR	1	1/P						To: 104-1
104-1	C0-10813000	GP1A73ARJ00F	1	1/P			C	E	F	G05F017
105	F0-00041000	EDS-2	1	5/P						
106	F0-00044000	UAMS-05-2	1	5/P						
107	F0-00339000	EHP-6U	1	5/P						To: 107-1
108	X0-00060000	S/PAN/SWWP-M3X6-NI	1	10/P						
109	X0-00968000	RR/E-7-SS	2	10/P						







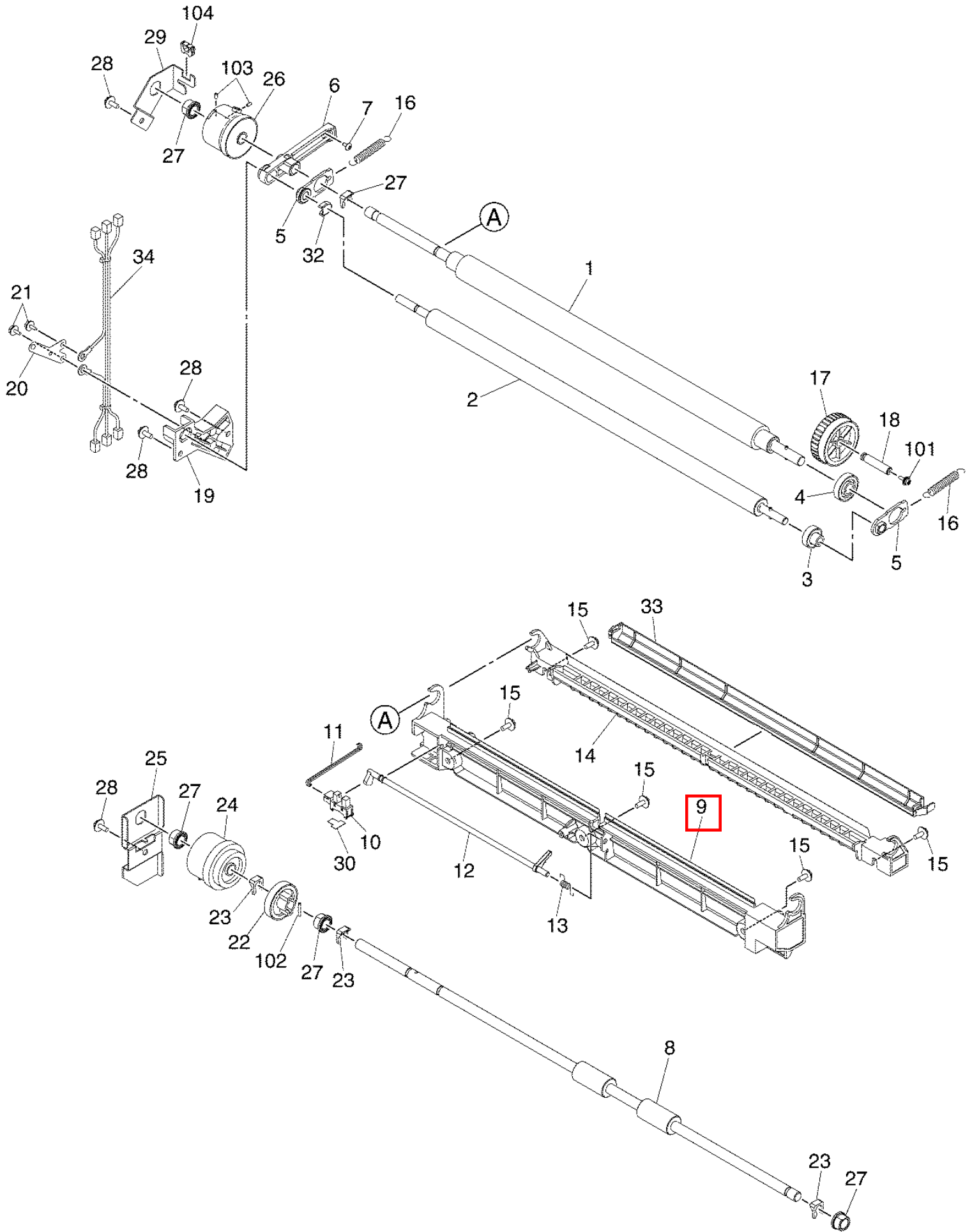
Model:

Page:

Issue

Date:

Item No.	Parts No.	Parts Name	QTY / Unit	QTY / Pack	Part remarks	Catg.	Serial No.	P	I	R	BSI No.	Change	PC Board
1	6LA85802000	ASYS-ROL-RGST	1	1/KP									
2	6LA85803000	ASYS-ROL-RGST-IDL	1	1/KP									
3	6LA85879000	GEAR-10S015-06	1	1/P									
4	6LA85880000	GEAR-10S020-08	1	1/P									
5	6LA85863000	PLT-RGST-TENS-371	2	1/P									
6	6LA85862000	HOLDER-RGST-R	1	1/P									
7	6LA08935000	SCR-M3X6BISR-NI	1	10/P									
8	6LA85813000	ROLLER-RELAY-FED	1	1/KP									
9	6LA85887100	ASYS-GID-RGST-L-374	1	1/C				-	-	-	G04I518		
10	C0-07598000	GP1A73AR	1	1/P								To: 10-1	
10-1	C0-10813000	GP1A73ARJ00F	1	1/P				C	E	F	G05F017	From: 10	
11	6LA89455000	HRNS-RGT-SW-371	1	1/P									
12	6LA85824000	ACTR-RGST-371	1	1/KP									
13	6LA85830000	SPG-ACT-RGST-371	1	1/P									
14	6LA85888000	ASYS-GID-RGST-R-371	1	1/C									
15	6LA08921000	S/TPP/HEX-4*8-NI	5	10/P								To: 15-1	
15-1	X0-02251000	S/TPP/FHEXM-4X8-NI	5	10/P				C	E	F	G05E930	From: 15	
16	6LA85864000	SPG-RGST-371	2	1/P									
17	6LA41229000	KNOB-RGST-350	1	1/P									
18	6LA85896000	STUD-KNOB-RGST-371	1	1/P									
19	6LA85871000	HOLDER-BIAS-RGST	1	1/P									
20	6LA85872000	SPL-BIAS-RGST	1	1/P									
21	6LA08916000	S/TPP/HEX-3X6-NI	2	10/P								To: 21-1	
21-1	X0-02246000	S/TPP/FH/FEXM-3X6-NI	2	10/P				C	E	F	G05E930	From: 21	
22	6LA85849000	GEAR-10S028-08	1	1/P									
23	4400336190	STOP-RING-8	4	5/P									
24	6LA82840000	CLUTCH-G28-08D-35E	1	1/D									
25	6LA85869000	BRKT-ROL-RELAY-FED	1	1/P									
26	6LA85810000	CLUTCH-G33-CW8	1	1/D									
27	6LA65698000	BUSH-8X12X8F	4	5/P									
28	6LA08913000	S/TPS/HEX-4*8-NI	4	10/P								To: 28-1	
28-1	X0-02243000	S/TPS/FHEXM-4X8-ZU3	4	10/P				C	E	F	G05E996	From: 28	
29	6LA85850000	BRKT-RGST-CLT-371	1	1/P									
30	6LA85910000	MYLAR-SUPPORT-SNS	1	5/P									
32	4407972860	STOP-RING-6-5	1	5/P									
33	6LA85828000	COVER-RGST-R-371	1	1/KP									
34	6LA89434000	HRNS-HVT-TCH-371	1	1/P									
101	X0-00077000	S/PAN/SWWP-M3X8-NI	1	10/P									
102	X0-01526000	P/PRL/AH7-2X12-SS	1	10/P									
103	X0-00730000	S/SET/K-M3X4-B	2	10/P									
104	F0-00339000	EHP-6U	1	5/P								To: 104-1	



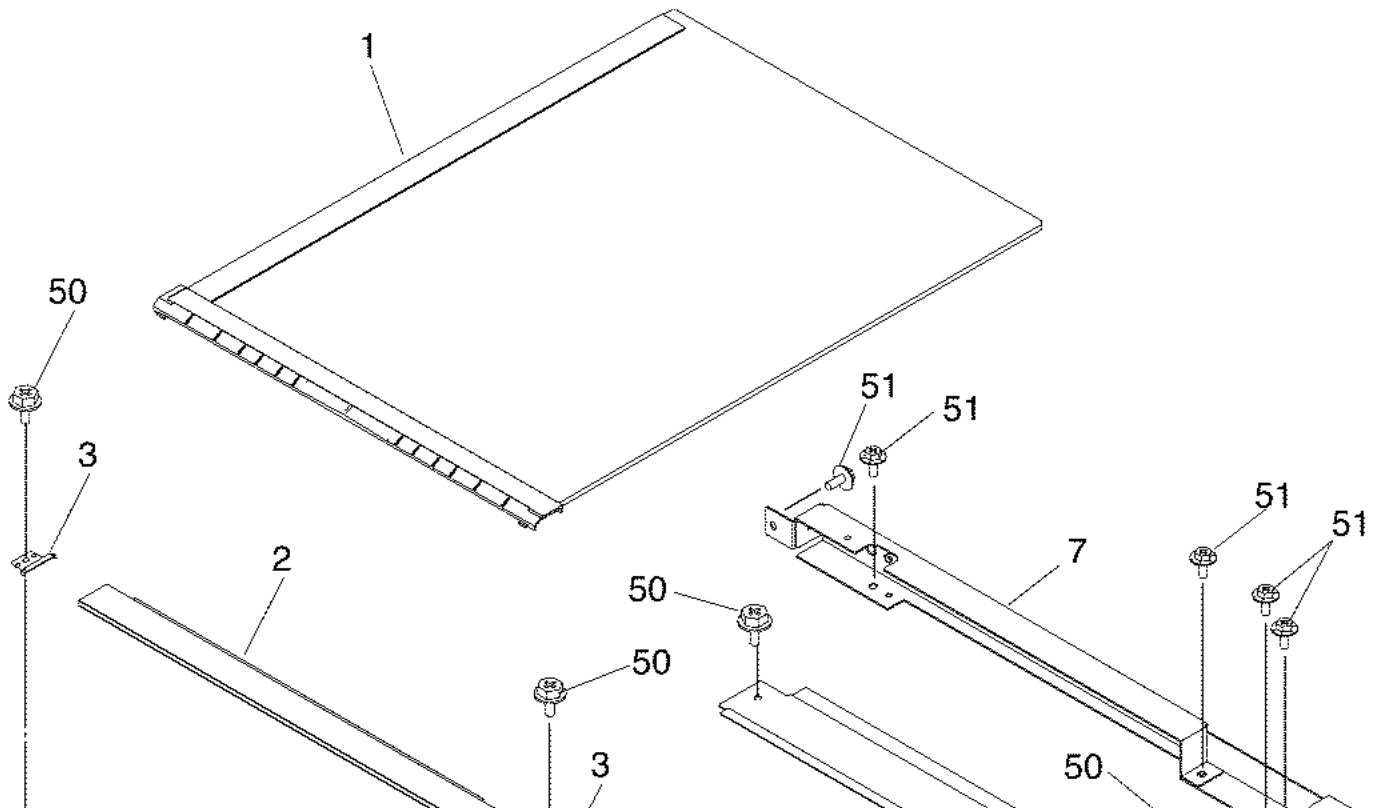


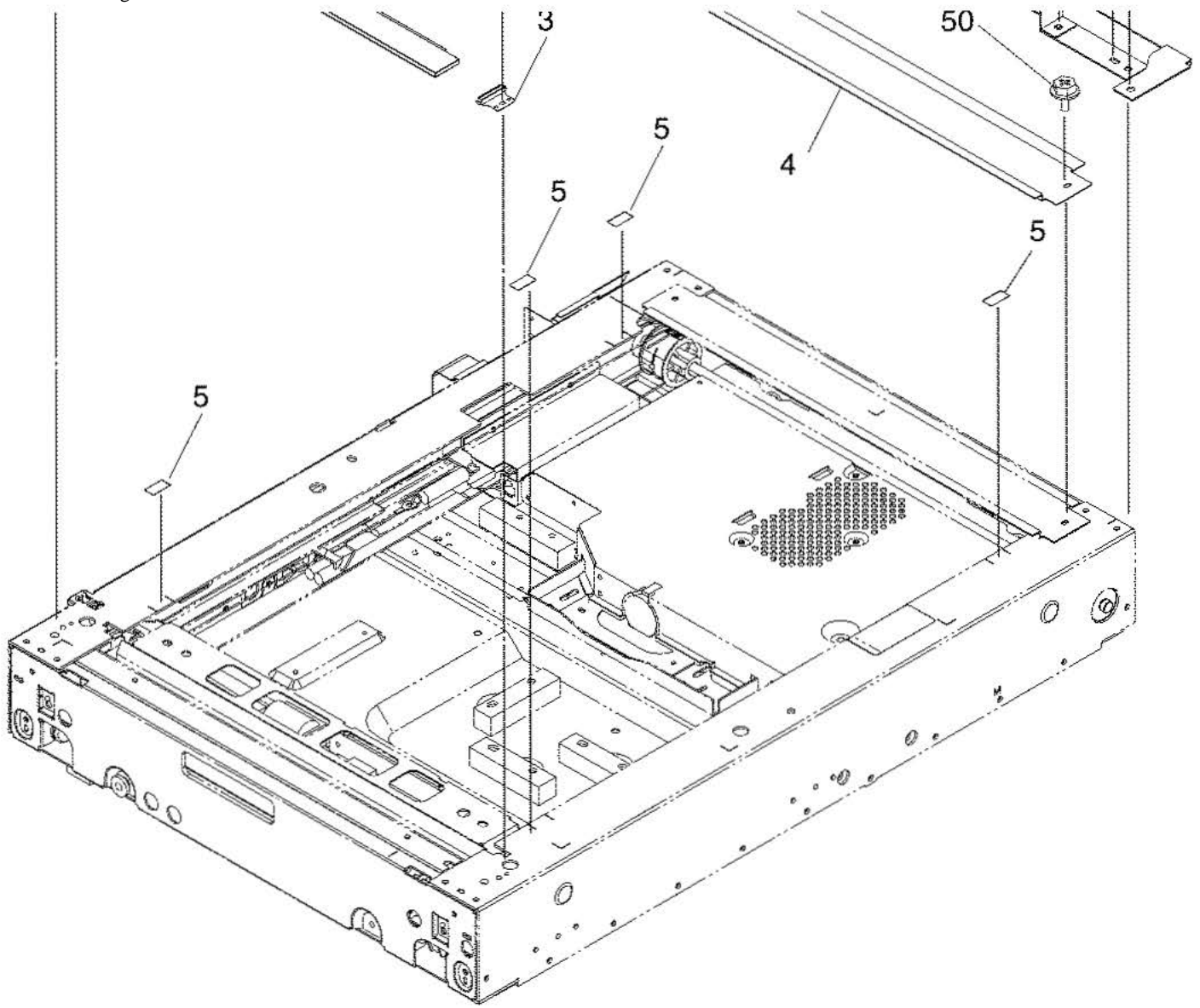
Model:

Page:

Issue  
Date:

Item No.	Parts No.	Parts Name	QTY / Unit	QTY / Pack	Part remarks	Catg.	Serial No.	P	I	R	BSI No.	Change	PC Board
1A	6LA86490000	ASYS-GLASS-A	1	1/S	ASD,MJD,ASD,ASU							To: 1A-1	
1A-1	6LA86490000	ASYS-GLASS-A	1	1/S	ASD,MJD,ASD,ASU,SAD			E	-	J	G04L673	To: 1A-2	
1A-2	6LA86490000	ASYS-GLASS-A	1	1/S	ASD,MJD,ASD,ASU,SAD,KRD			-	-	-	G04L674	From: 1A-1	
1B	6LA67488000	ASYS-GLASS-360-L	1	1/S	NAD								
1C	6LA67489000	ASYS-GLASS-360-K	1	1/S	CND								
2	6LA67448000	ASYS-GLASS-ADF	1	1/PP									
3	6LA39841000	SPL-GLASS-ADF	2	1/P									
4	6LA39866000	STAY-TP-RGT-SCAN	1	1/P									
5	44202810000	CUSH-GLASS	4	5/P									
7	6LA86439000	BRKT-TRY-RGT	1	1/P									
50	6LA08908000	S/TPS/HEX-3*6-NI	4	10/P								To: 50-1	
50-1	X0-02238000	S/TPS/FHEXM-3X6-ZU3	4	10/P				C	E	F	G05E996	From: 50	
51	6LA08913000	S/TPS/HEX-4*8-NI	5	10/P								To: 51-1	
51-1	X0-02243000	S/TPS/FHEXM-4X8-ZU3	5	10/P				C	E	F	G05E996	From: 51	



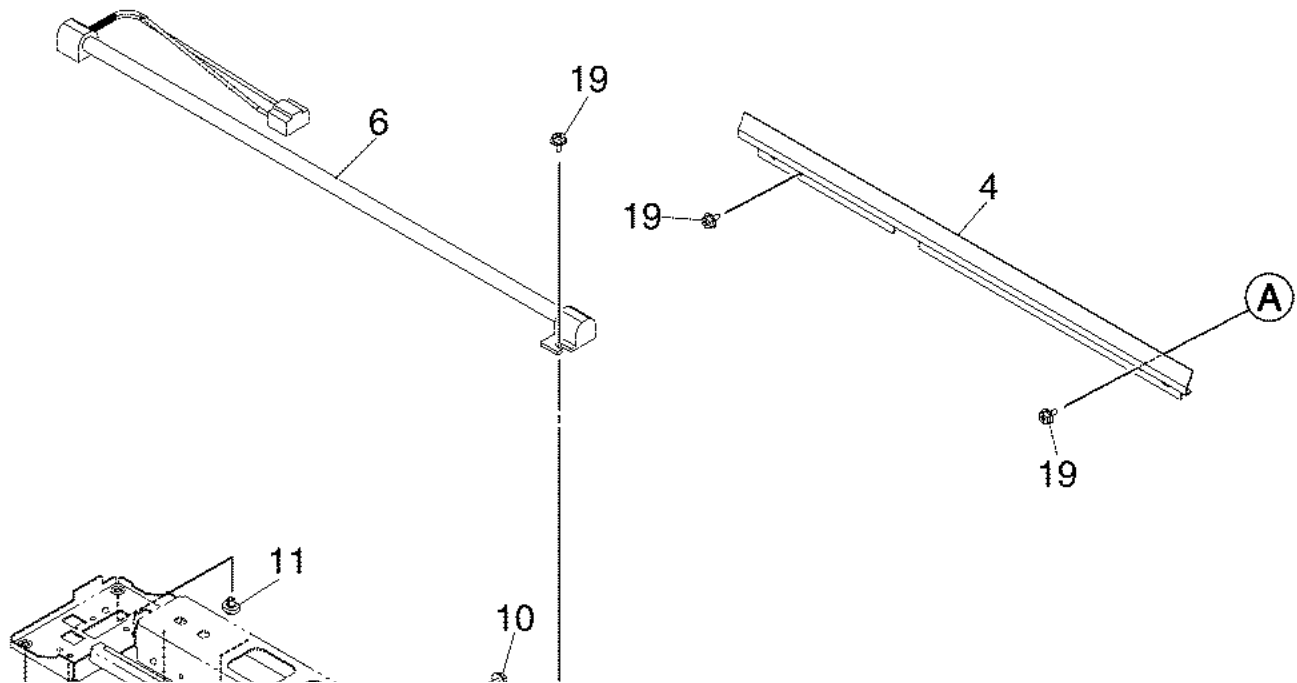


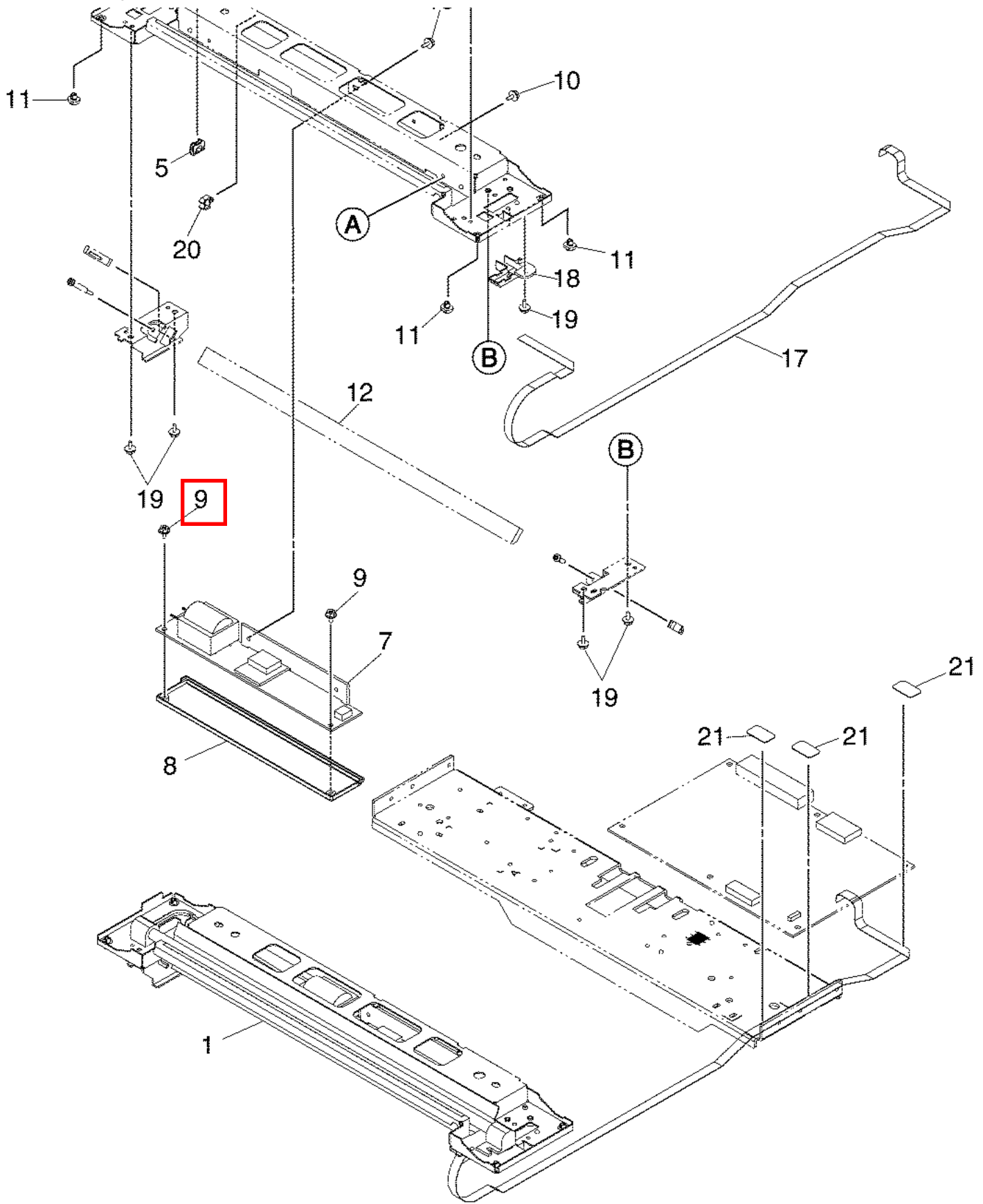
Model:

Page:

Issue  
Date:

Item No.	Parts No.	Parts Name	QTY / Unit	QTY / Pack	Part remarks	Catg.	Serial No.	P	I	R	BSI No.	Change	PC Board
1	6LA85761000	CARRIGE-1-371	1	1/S									
4	6LA39553000	REFLECTOR-LAMP	1	1/D									
5	F0-00339000	EHP-6U	1	5/P								To: 5-1	
6	6LA70819000	LAMP-EXPO-360	1	1/S									
7	6LA70820000	INV-EXPO-360	1	1/C								To: 7-1	
7-1	6LA64203000	INV-EXPO-360	1	1/C				C	E	J	G05E941	From: 7	
8	6LA39548000	COVER-INV	1	1/P									
9	6LA08916000	S/TPP/HEX-3X6-NI	2	10/P								To: 9-1	
9-1	X0-02246000	S/TPP/FH/FEXM-3X6-NI	2	10/P				C	E	F	G05E930	From: 9	
10	6LA08900000	S/HEX-M3*6-NI	2	10/P								To: 10-1	
10-1	X0-02230000	S/FHEXM-M3X6-NI	2	10/P				C	E	F	G05E930	From: 10	
11	4408604590	FOOT-CRG-3.64	4	5/P									
17	6LA71382000	HRNS-INV-360	1	1/C									
18	6LA39572000	GUIDE-HRNS-CRG1	1	1/P									
19	6LA08908000	S/TPS/HEX-3*6-NI	8	10/P								To: 19-1	
19-1	X0-02238000	S/TPS/FHEXM-3X6-ZU3	8	10/P				C	E	F	G05E996	From: 19	
20	F0-00044000	UAMS-05-2	1	5/P									
21	6LA39577000	MYLAR-HRNS-INV	3	1/KP									







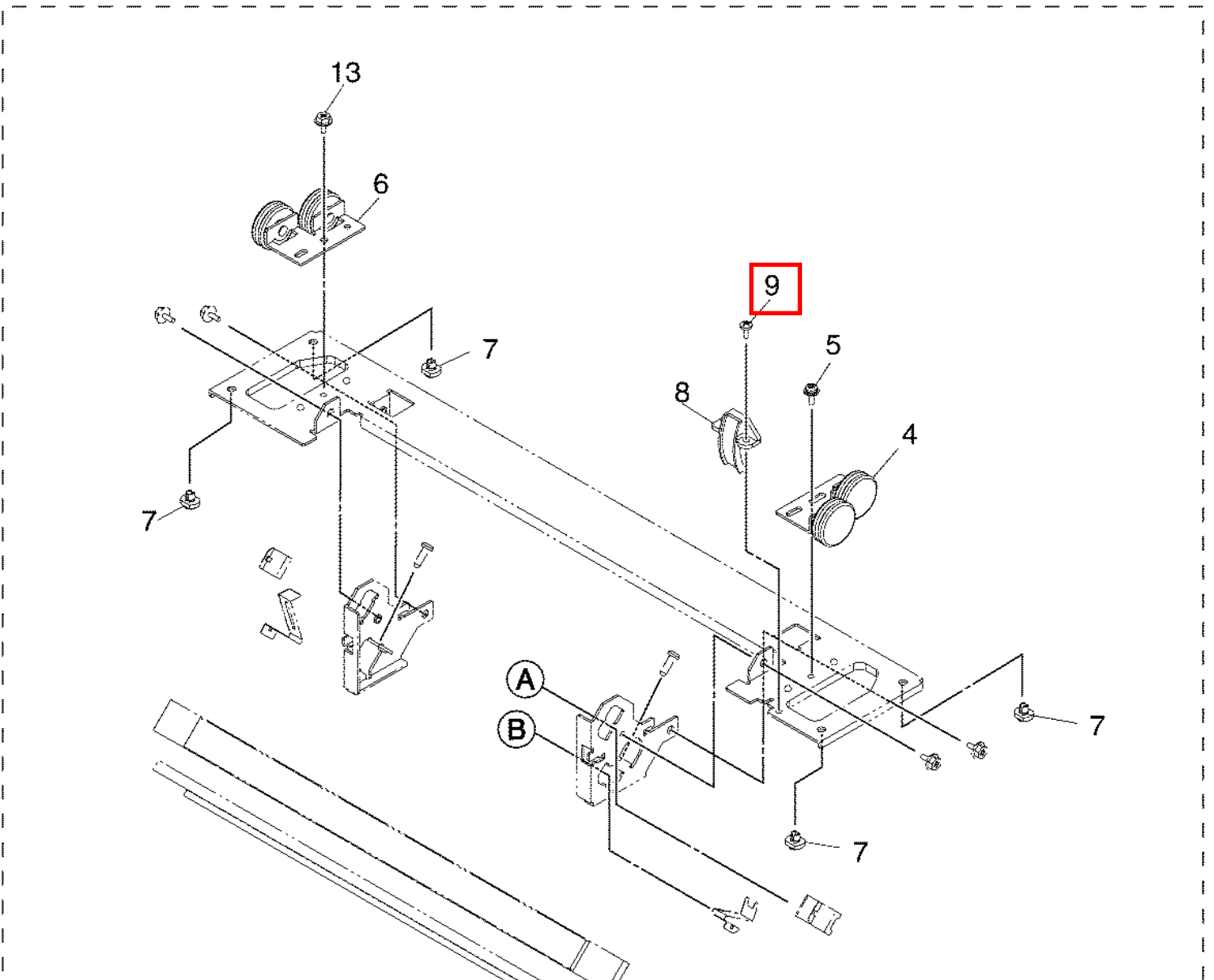


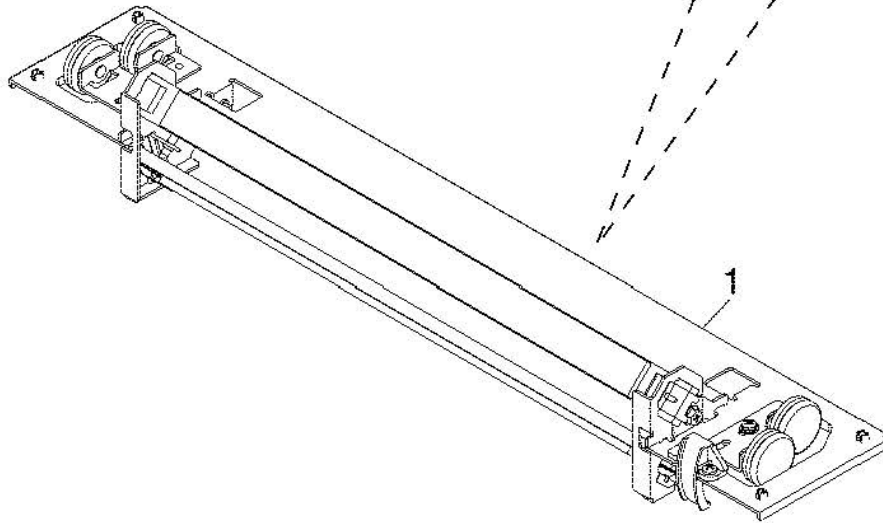
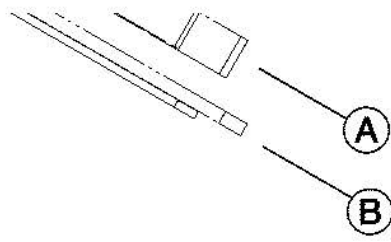
Model:

Page:

Issue  
Date:

Item No.	Parts No.	Parts Name	QTY / Unit	QTY / Pack	Part remarks	Catg.	Serial No.	P	I	R	BSI No.	Change	PC Board
1	6LA85762000	CARRIGE-2-371	1	1/S									
4	6LA67394000	ASYS-BKT-PLY-F-C2	1	1/P									
5	X0-00077000	S/PAN/SWWP-M3X8-NI	1	10/P									
6	6LA67395000	ASYS-BKT-PLY-R-C2	1	1/D									
7	4408604590	FOOT-CRG-3.64	4	5/P									
8	44202692000	GUIDE-WH-CRG2	1	1/P									
9	X0-02069000	S/TPS/BID-3X6-ZU3	1	10/P									



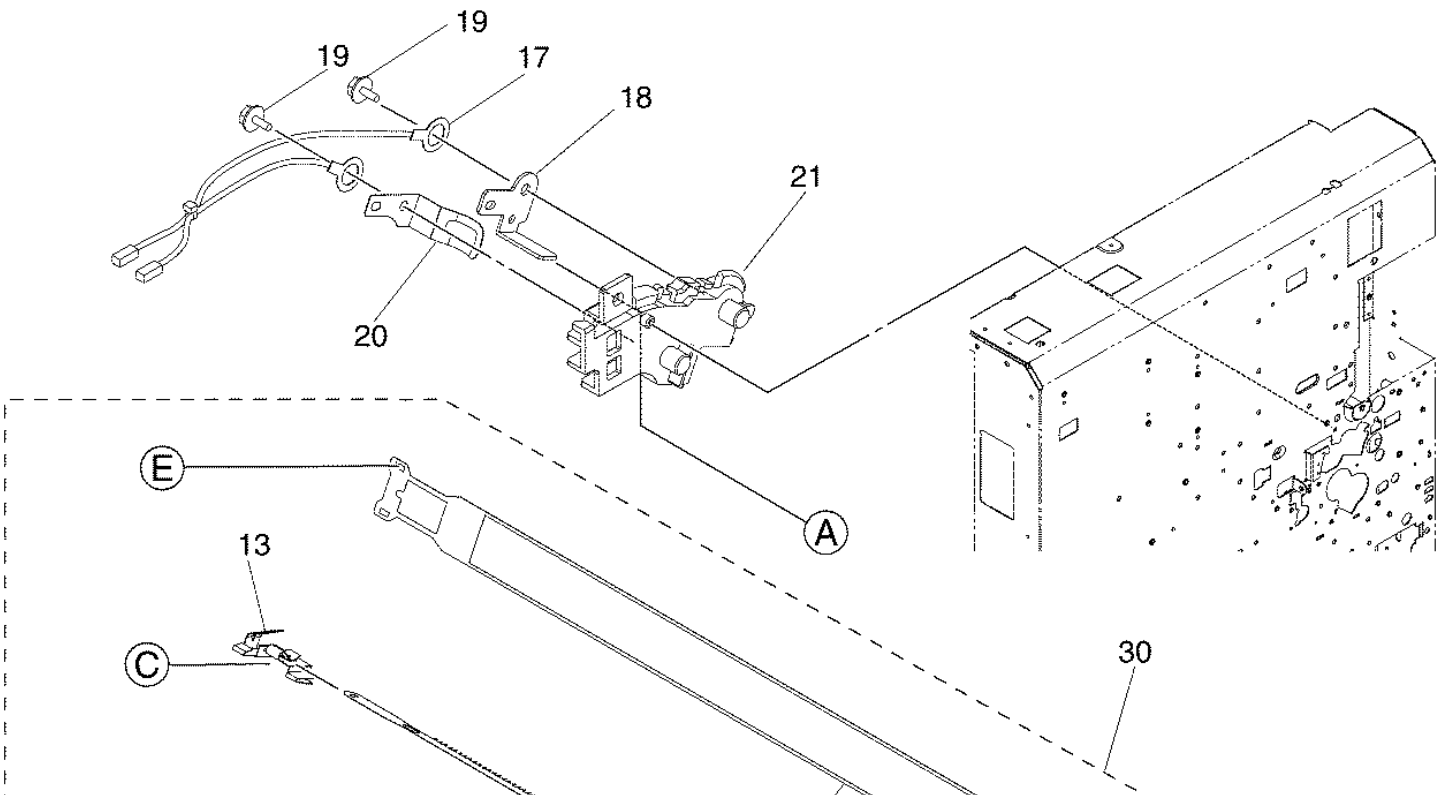


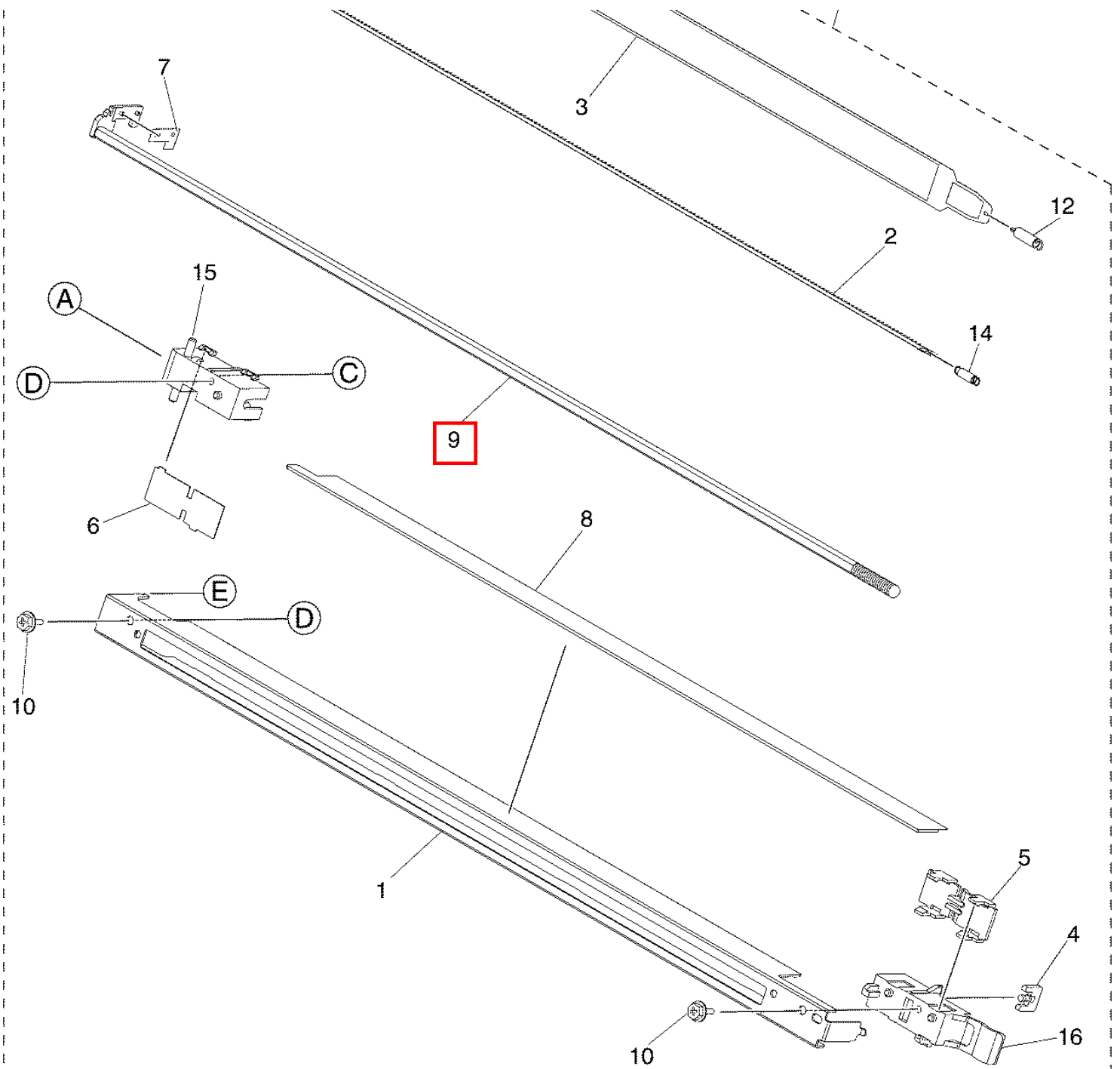
Model:

Page:

Issue  
Date:

Item No.	Parts No.	Parts Name	QTY / Unit	QTY / Pack	Part remarks	Catg.	Serial No.	P	I	R	BSI No.	Change	PC Board
1	6LA84920000	CASE-CH-M	1	1/P									
2	6LA84925000	CH-M	1	1/KP		MSP							
3	6LA84930000	GRID-CH-M-371	1	1/KP		MSP							
4	4401764730	HANGER-WIRE-TR	1	1/P									
5	6LA84944000	LID-CH-M-F	1	1/P									
6	6LA84947000	LID-CH-M-R	1	1/P									
7	6LA84941000	MYLAR-CLN-CH	1	5/P									
8	6LA84957000	MYLAR-LED	1	1/KP									
9	6LA84938000	ROD-CLN-CH-M	1	1/KP									
10	6LA08917000	S/TPP/HEX-3*8-NI	2	10/P								To: 10-1	
10-1	X0-02247000	S/TPP/FH/FEXM-3X8-NI	2	10/P				C	E	F	G05E930	From: 10	
12	6LA84950000	SPE-GR	1	5/P									
13	6LA84922000	SPL-CH-M-R	1	1/P									
14	6LA84935000	SPRING-TENS-CH	1	5/P									
15	6LA84915000	TERM-CH-M-R	1	1/P									
16	6LA84910000	TERM-CH-M-F	1	1/P									
17	6LA89435000	HRNS-HVT-MG-371	1	1/P									
18	6LA85009000	SPL-CH-M	1	1/P									
19	6LA08916000	S/TPP/HEX-3X6-NI	2	10/P								To: 19-1	
19-1	X0-02246000	S/TPP/FH/FEXM-3X6-NI	2	10/P				C	E	F	G05E930	From: 19	
20	6LA85008000	SPL-GRID	1	1/P									
21	6LA85005000	TERM-HVT-M	1	1/P									
30	6LA84902000	ASY-CH-MAIN	1	1/C				F	-	J	G05A697		



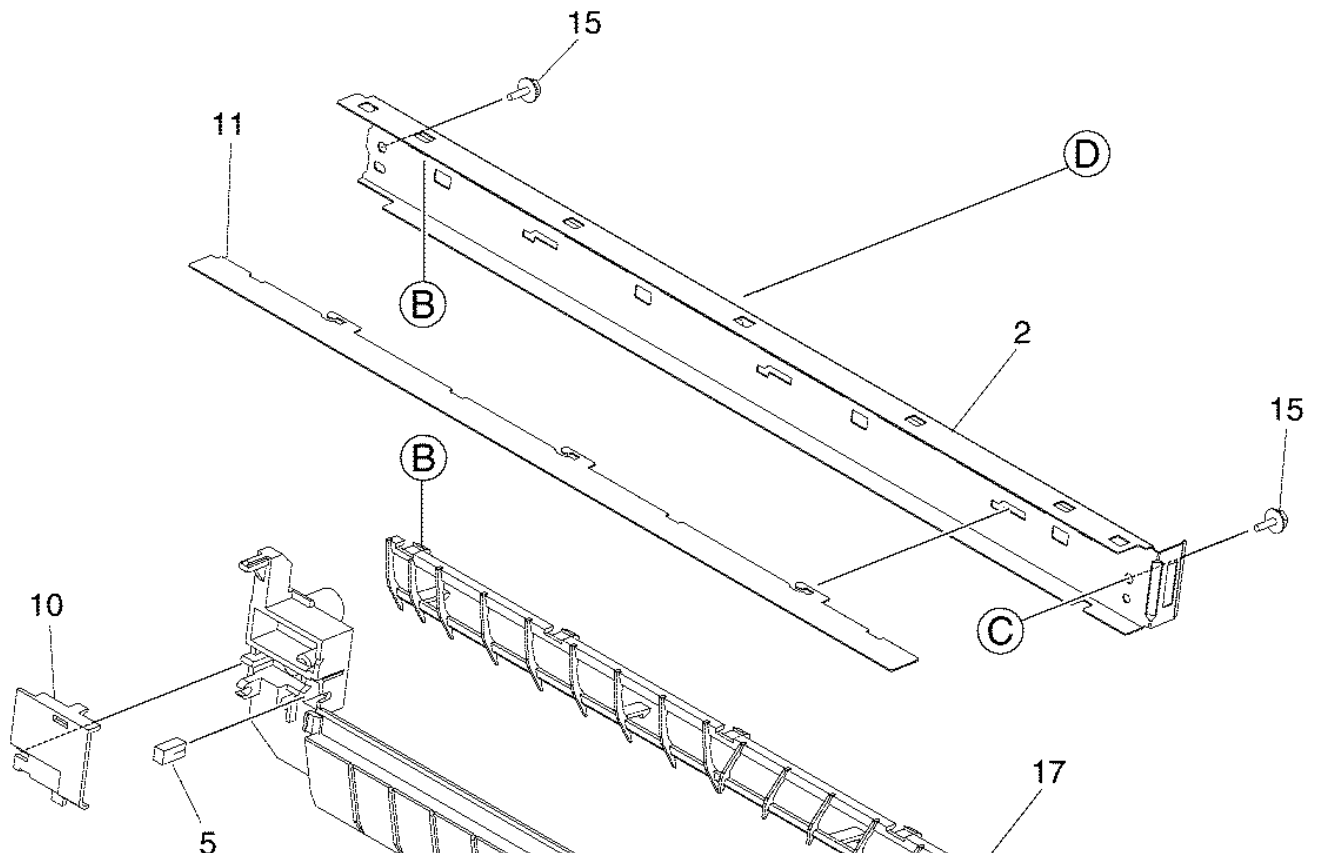


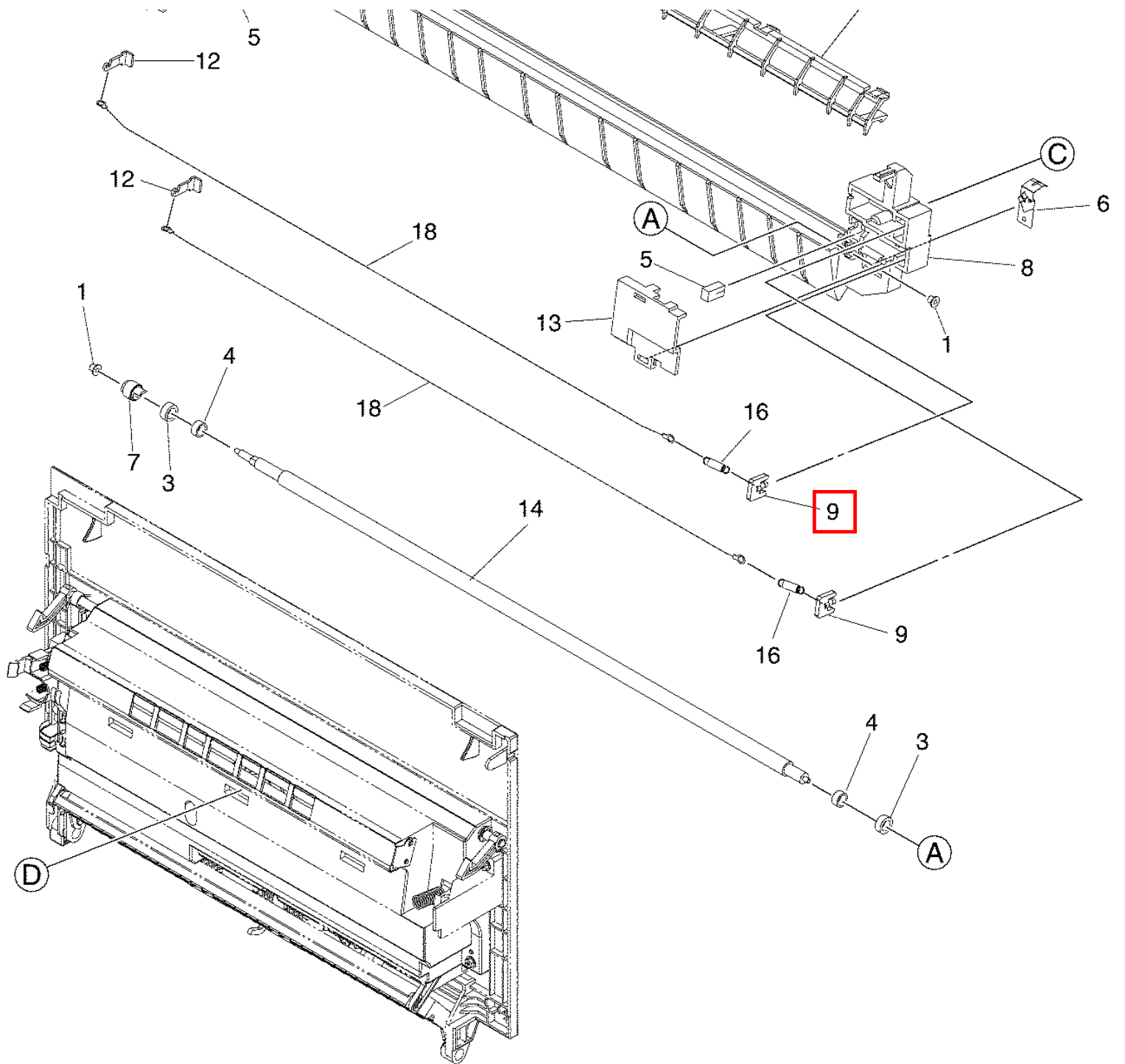
Model:

Page:

Issue  
Date:

Item No.	Parts No.	Parts Name	QTY / Unit	QTY / Pack	Part remarks	Catg.	Serial No.	P	I	R	BSI No.	Change	PC Board
1	41306677000	BUSH-RLR-GUIDE	2	1/P		MSP							
2	6LA88230000	CASE-CH-TR	1	1/P									
3	41306323000	COLLER-DRUM	2	5/P								To: 3-1	
3-1	41306323000	COLLER-DRUM	0	5/P				B	-	E	G05H256	From: 3	
4	41306301000	COLLER-RLR-GUID	2	5/P								To: 4-1	
4-1	41306301000	COLLER-RLR-GUID	0	5/P				B	-	E	G05H256	From: 4	
5	41306712000	DAMPER	2	5/P									
6	6LA88304000	EARTH-CH-TR	1	1/P									
7	41306272000	GEAR-RLR-GUIDE	1	1/P		MSP							
8	6LA88234000	GUIDE-CH-TR	1	1/P									
9	4401764730	HANGER-WIRE-TR	2	1/P									
10	6LA88245000	LID-CH-TR-R	1	1/P									
11	6LA88238000	PLT-CH-TR	1	1/KP									
12	44203860000	PLT-TERM-1	2	1/P									
13	6LA88244000	LID-CH-TR-F	1	1/P									
14	41306530000	ROLLER-GUIDE	1	1/P		MSP							
15	6LA08917000	S/TPP/HEX-3*8-NI	2	10/P								To: 15-1	
15-1	X0-02247000	S/TPP/FH/FEXM-3X8-NI	2	10/P				C	E	F	G05E930	From: 15	
16	6LA84935000	SPRING-TENS-CH	2	5/P									
17	6LA88248000	SUPPORTER-371	1	1/C									
18	6LA88250000	WIRE-CH-060-353-R	2	1/P		MSP							



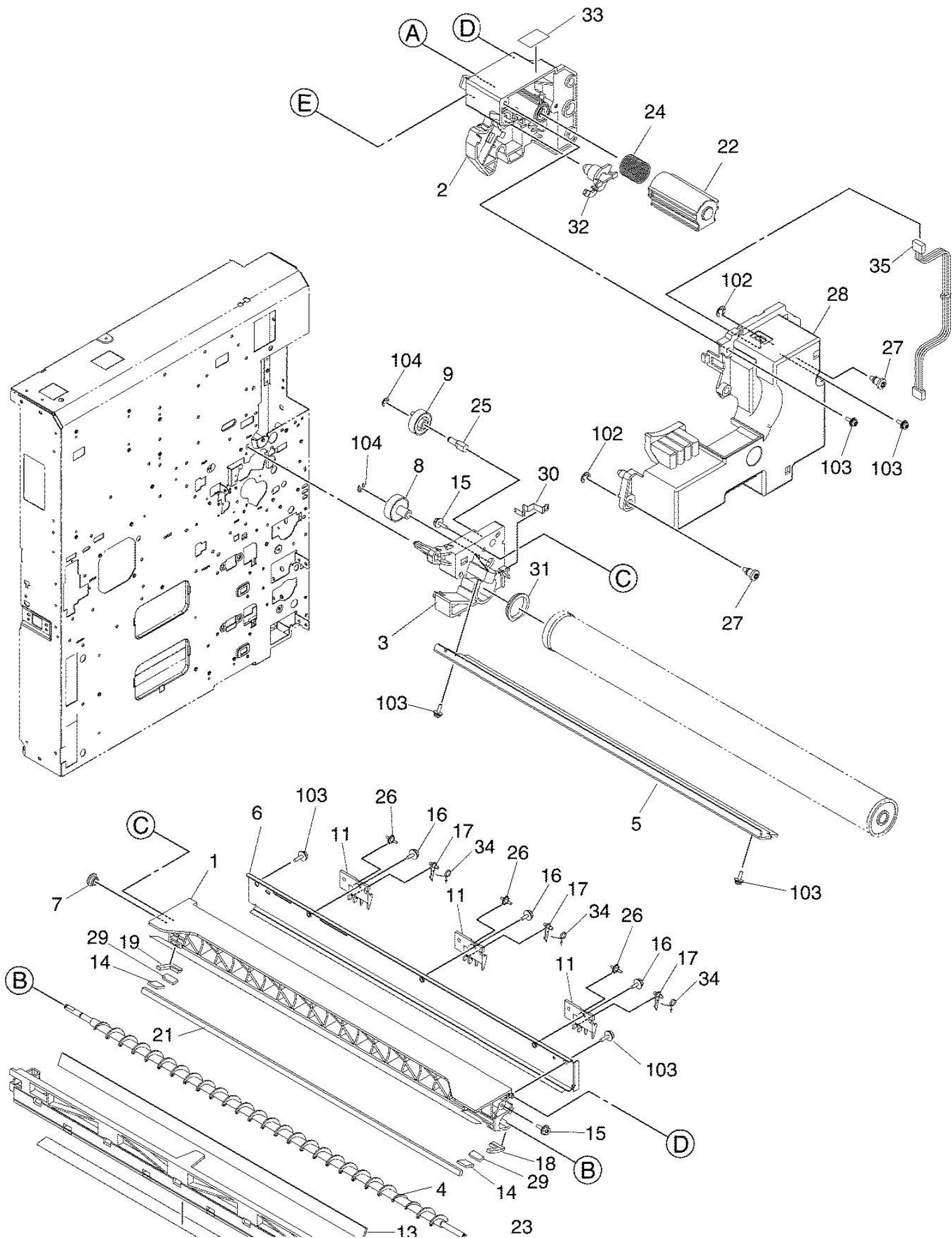


Model:

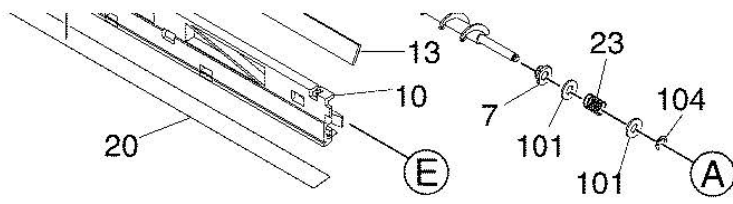
Page:

Issue  
Date:

Item No.	Parts No.	Parts Name	QTY / Unit	QTY / Pack	Part remarks	Catg.	Serial No.	P	I	R	BSI No.	Change	PC Board
1	6LA79525000	ASYS-FRAME-CLN-C	1	1/C									
2	6LA79540000	ASYS-FRAME-CLN-F	1	1/P									
3	6LA79583000	FRAME-CLN-R	1	1/P									
4	6LA79600000	AUGER-CLN	1	1/KP									
5	6LA27845000	BL-2320D	1	1/S		CSP							
6	6LA79503000	ASYS-BLADE-REC	1	1/C		MSP							
7	6LA02920000	BUSH-0410-05F-M	2	5/P									
8	6LA79605000	GEAR-10S18-4	1	1/P									
9	6LA79606000	GEAR-10S17-4	1	1/P									
10	6LA79626000	HLDR-LED	1	1/P									
11	6LA79615000	HOLDER-SCRAPER	3	1/P									
13	6LA89106000	PWA-F-DLE-371	1	1/SB									
14	6LA79547000	SEAL-BLADE-SIDE	2	5/KP									
15	6LA08917000	S/TPP/HEX-3*8-NI	2	10/P								To: 15-1	
15-1	X0-02247000	S/TPP/FH/FEHM-3X8-NI	2	10/P				C	E	F	G05E930	From: 15	
16	6LA08900000	S/HEX-M3*6-NI	3	10/P								To: 16-1	
16-1	X0-02230000	S/FHEXM-M3X6-NI	3	10/P				C	E	F	G05E930	From: 16	
17	6LA79618000	SCRAPER-371	3	3/P		MSP							
18	6LA79546000	SEAL-CLN-F	1	5/P									
19	6LA79586000	SEAL-CLN-R	1	5/P									
20	6LA79628000	MYLAR-HLDR-LED	1	1/KP									
21	6LA79531000	SEAL-CLN-C	1	5/KP									
22	6LA79609000	SHUTTER-CLN	1	1/P									
23	6LA79602000	SPC-AUGER	1	5/P									
24	6LA79612000	SPC-NZL-CLN	1	1/P									
25	6LA79554000	STUD-GEAR-CLN	1	1/P									
26	41306325000	WHEEL-CLN-8	3	1/P									
27	6LA65682000	SCREW-CLNR-DEV	2	10/P									
28A	6LA79653100	COV-PU-F-U	1	1/PP	NAD								
28B	6LA79653200	COV-PU-F-E	1	1/PP	MJD								
28C	6LA79653300	COV-PU-F-D	1	1/PP	ASD,ASU,SAD,TWD, CND							To: 28C-1	
28C-1	6LA79653300	COV-PU-F-D	1	1/PP	ASD,ASU,SAD,TWD, CND,KRD			-	-	-	G04L674	From: 28C	
29	6LA79534000	SEAL-SIDE-REC	2	5/KP									
30B	6LA81603000	SPL-EARTH-F37XTWD	1	1/P	TWD			A	-	J	G05E995		
31	41306135000	BUSH-1821*03-M	1	1/P									
32	6LA79622000	PIN-DRUM-371	1	1/P									
33	6LA91423000	LBL-HNDL-CLNR	1	5/P									
34	41305536000	SPD-SCRPR-DRUM	3	1/P									
35	6LA89453000	HRNS-DLE2-371	1	1/P									
101	X0-00936000	W/PL/PJO-4-ZC	2	10/P								To: 101-1	
102	X0-00965000	RR/E-4-SS	2	10/P									
103	6LA80090000	S/TPP/BID-3*8-NI	6	5/P									
104	X0-00974000	RR/E-2.5-SS	3	10/P									







Model:

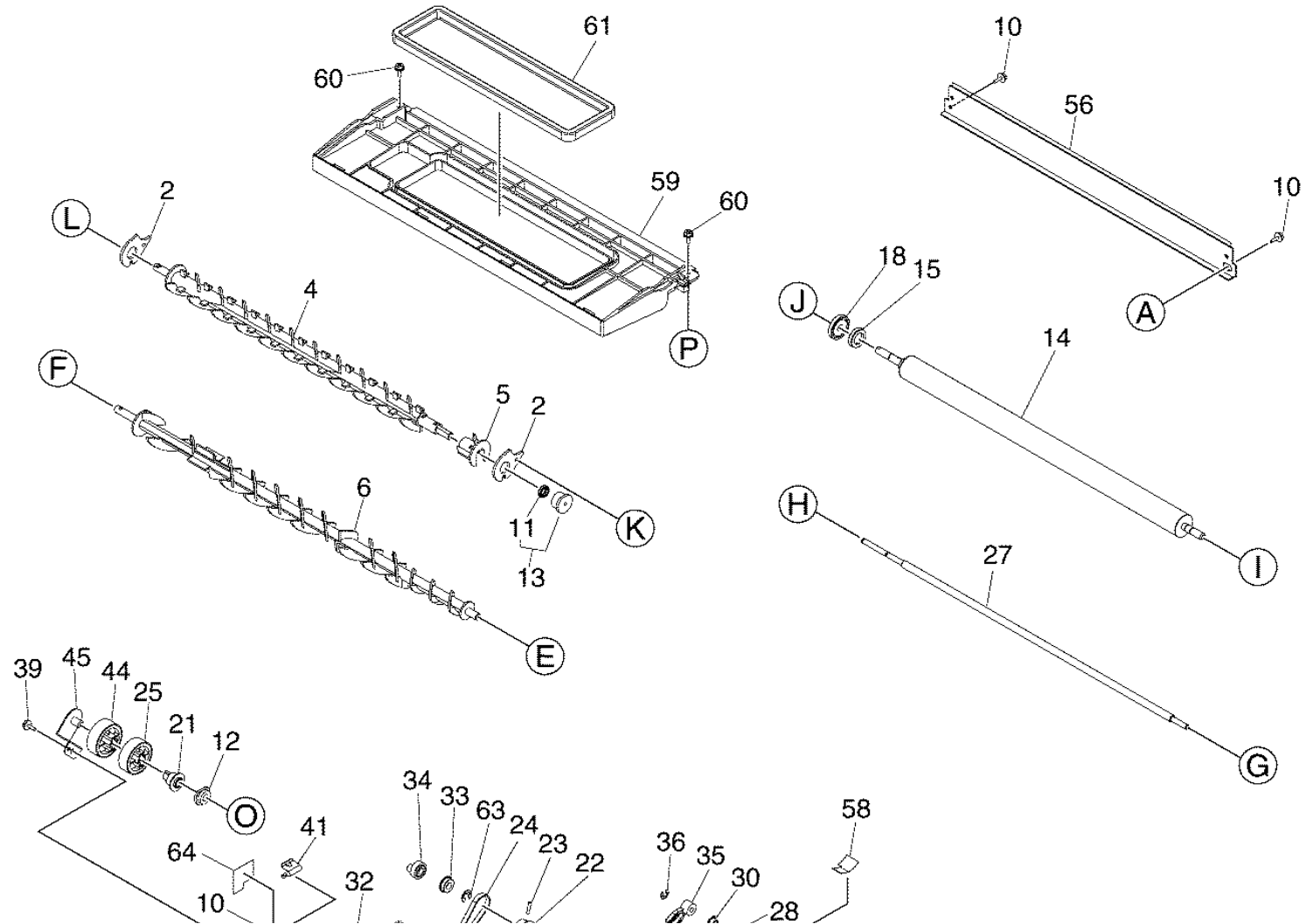
Page:

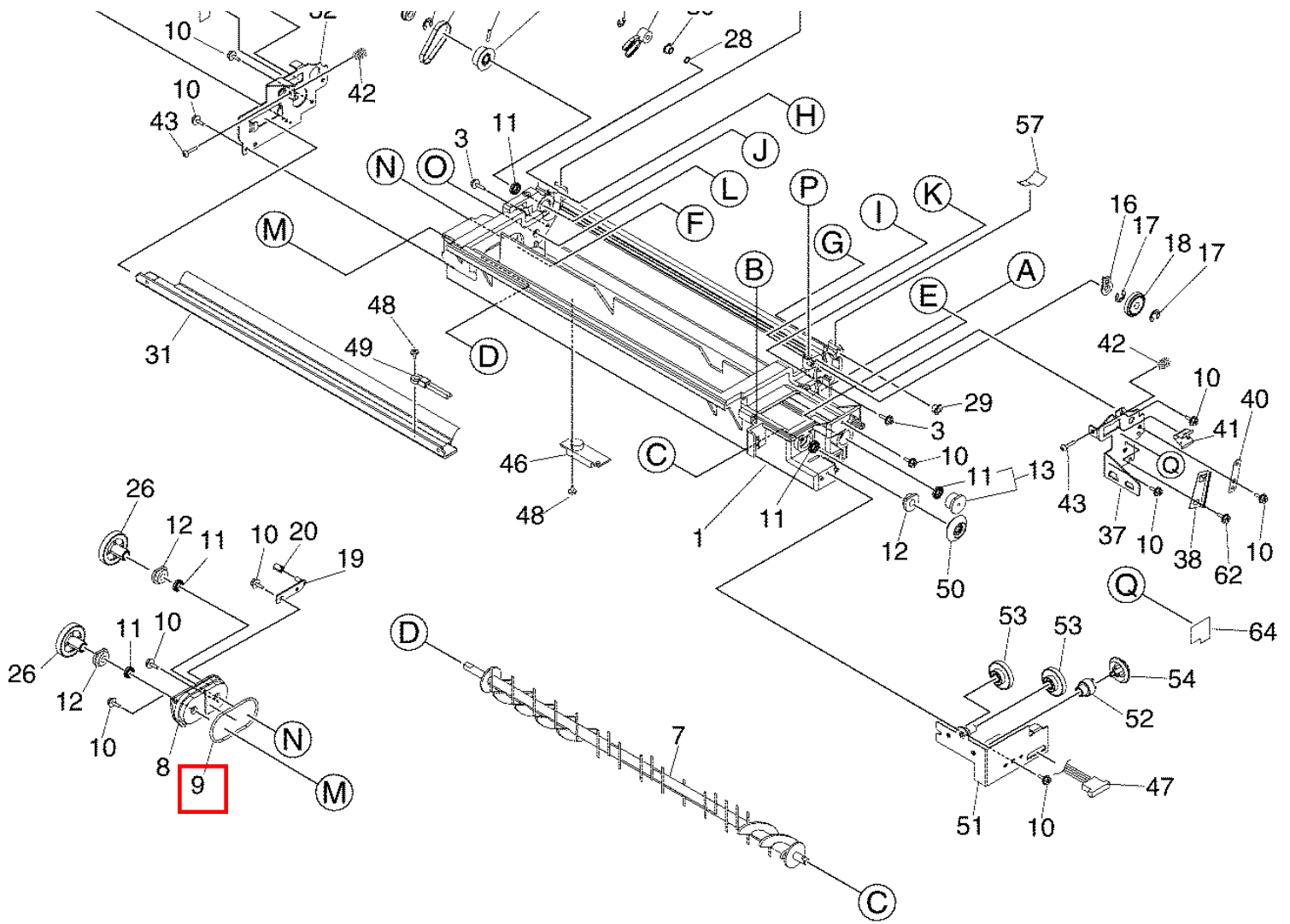
Issue

Date:

Item No.	Parts No.	Parts Name	QTY / Unit	QTY / Pack	Part remarks	Catg.	Serial No.	P	I	R	BSI No.	Change	PC Board
1	6LA81612000	ASYS-CASING-DEV	1	1/C									
2	6LA81632000	PLATE-SIDE	2	1/P									
3	6LA08902000	S/HEX-M3*10-NI	2	10/P								To: 3-1	
3-1	X0-02232000	S/FHEXM-M3X10-NI	2	10/P				C	E	F	G05E930	From: 3	
4	6LA81635000	MIXER-1-371	1	1/C									
5	6LA81636000	SPACER-MIX	1	1/P									
6	6LA81639000	ASYS-MIXER-2	1	1/KP									
7	6LA81643000	MIXER-3-371	1	1/P									
8	6LA81654000	BUSH-DEV-R	1	1/P									
9	6LA81630000	SEAL-BUSH-R	1	1/P									
10	6LA08917000	S/TPP/HEX-3*8-NI	13	10/P								To: 10-1	
10-1	X0-02247000	S/TPP/FH/FEXM-3X8-NI	13	10/P				C	E	F	G05E930	From: 10	
11	4401949290	SEAL-VC6-10-2.5	6	1/P									
12	4407728150	BUSH-6-GCB	4	5/P									
13	6LA81645000	ASYS-BUSH-0613-07	2	1/P									
14	6LA81650000	ROLLER-MG-371	1	1/C									
15	4401950220	V-RING-MG-210	1	1/P								To: 15-1	
16	6LA81652000	BUSH-DEV	1	5/P									
17	X0-00965000	RR/E-4-SS	2	10/P									
18	6LA81662000	ROLL-GUIDE-371	2	1/P									
19	6LA81678000	ASYS-BKT-DEV-TENS	1	1/P									
20	4401950980	COLLAR-DEV-TENS	1	5/P									
21	6LA81670000	PULLY-2GT16-6	1	1/P									
22	6LA81666000	PULLY-2GT27-6	1	1/P									
23	X0-00980000	P/PRL/AH7-2X10-SS	1	10/P									
24	6LA81674000	BLT/T-2GT-92	1	1/P									
25	6LA81677000	GEAR-10S27-CUP	1	1/P									
26	4402439380	GR-10H27-5-06	2	1/P									
27	6LA81750000	ROLLER-RE	1	1/P									
28	6LA81755000	WAS-RE-ROL	1	10/P									
29	6LA81753000	BUSH-RE-ROL-F	1	1/P									
30	6LA81752000	BUSH-RE-ROL-R	1	1/P									
31	6LA81656000	ASYS-DOCTOR-371	1	1/KP									
32	6LA81691000	BRKT-DEV-R-371	1	1/P									
33	6LA81664000	BRG-LF126ZZLY13	1	1/P								To: 33-1	
33-1	F0-00781000	LF-1260ZZ	1	1/P				C	E	F	G05E930	From: 33	
34	6LA81769000	CAM-RE-ROL	1	1/P									
35	6LA81773000	ONEWAY-DRV-RE	1	1/P									
36	X0-00974000	RR/E-2.5-SS	1	10/P									
37	6LA81711000	BRKT-DEV-F-371	1	1/P									
38	6LA81718000	ADJUSTER-MG	1	1/P									
39	6LA08909000	S/TPS/HEX-3*8-NI	1	10/P								To: 39-1	
39-1	X0-02239000	S/TPS/FHEXM-3X8-ZU3	1	10/P				C	E	F	G05E996	From: 39	
40	6LA81758000	SPL-BIAS-RE-ROL	1	1/P									
41	4401949700	SPL025-S631-DC2	2	1/P									
42	4400672520	SPC060-065-0130	2	1/P									
43	4400672800	SCREW-DOCTOR	2	10/P								To: 43-1	

44	6LA81724000	GEAR-10S28-6	1	1/P					
45	6LA81729000	ASYS-BRKT-DRV	1	1/P					
46	4402859550	SNR-ATC-121	1	1/D					To: 46-1
47	6LA89424000	HRNS-ATS-371	1	1/P					
48	X0-01725000	S/BID-M3X5-BSNI	2	10/P					
49	6LA89113000	THMS-DRM-371	1	1/C					
50	6LA81685000	GEAR-10B22-6	1	1/P					
51	6LA81890000	ASYS-BRKT-RECY	1	1/P					
52	6LA81888000	GEAR-8S15-6	1	1/P					
53	6LA81887000	GEAR-8S29-8S15-6	2	1/P					
54	6LA81881000	GEAR-10B22-6-CUP	1	1/P					
56	6LA81740000	ASYS-GUIDE-DEV	1	1/KP					
57	6LA81780000	SHEET-MG-F	1	5/P					
58	6LA81781000	SHEET-MG-R	1	5/P					
59	6LA81790000	ASYS-COV-DEV	1	1/PP					
60	6LA08901000	S/HEX-M3*8-NI	2	10/P					To: 60-1
60-1	X0-02231000	S/FHEXM-M3X8-NI	2	10/P	C	E	F	G05E930	From: 60
61	6LA81700000	COVER-DEV-BTL-371	1	1/P					
62	X0-00077000	S/PAN/SWWP-M3X8-NI	1	10/P					
63	X0-00966000	RR/E-5-SS	1	10/P					
64	6LA81714000	MYLAR-DOC-SLIDE	2	5/P					



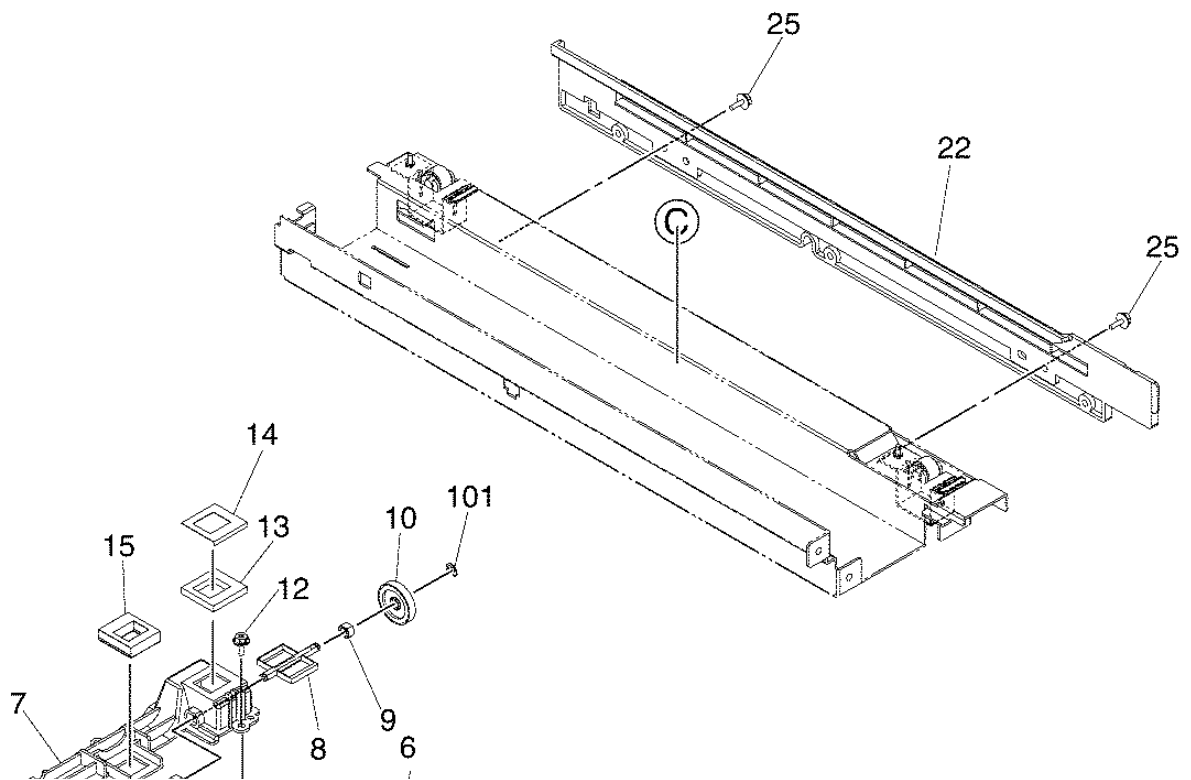


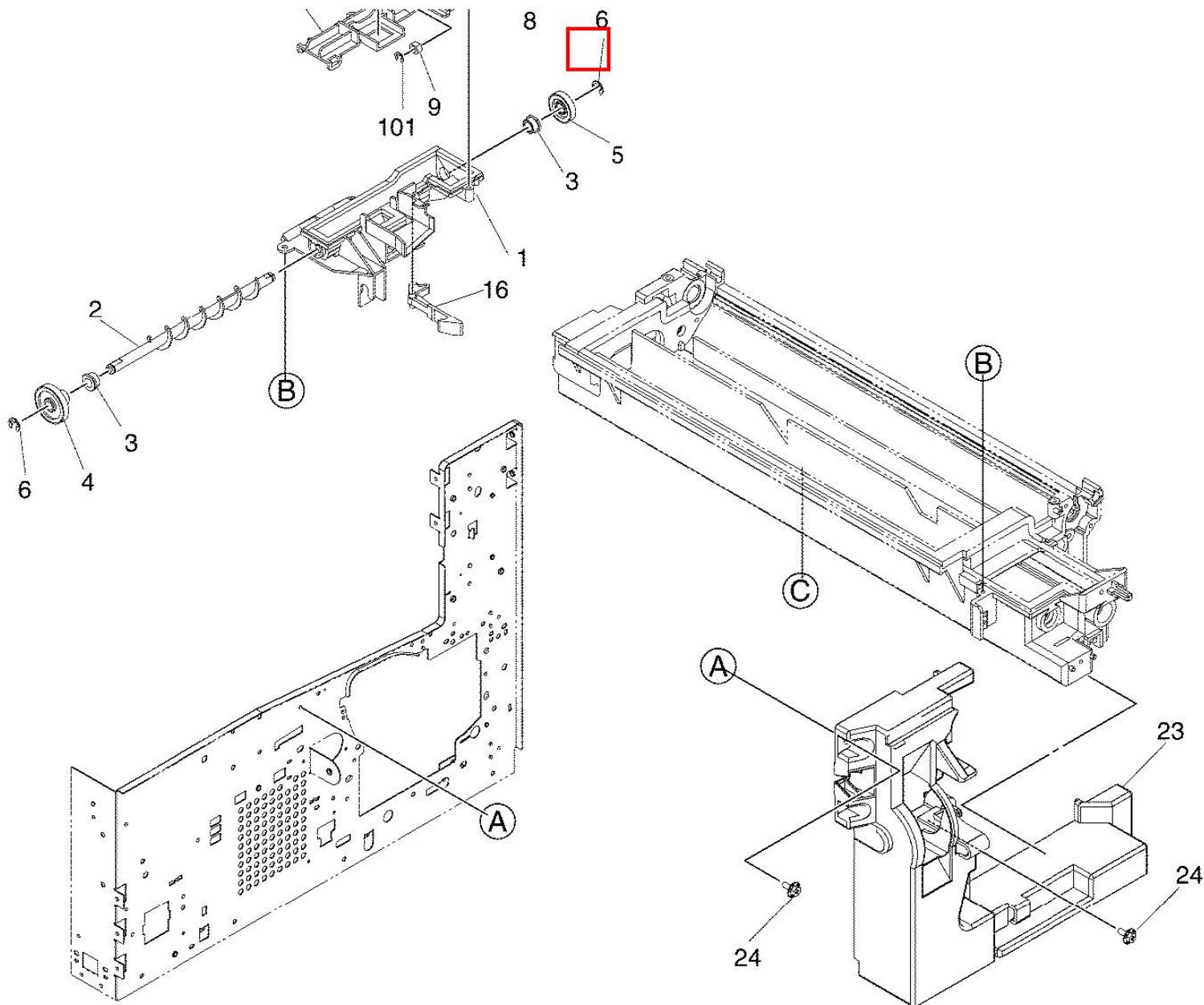
Model:

Page:

Issue  
Date:

Item No.	Parts No.	Parts Name	QTY / Unit	QTY / Pack	Part remarks	Catg.	Serial No.	P	I	R	BSI No.	Change	PC Board
1	6LA81695000	ASYS-COV-NOZLE	1	1/PP									
2	6LA81922000	AUGER-RECY-F371	1	1/P									
3	6LA81925000	BUSH-0611-06F-M	2	5/P									
4	6LA81936000	GEAR-8S22-6	1	1/P									
5	6LA81935000	GEAR-8S29-6	1	1/P									
6	X0-00965000	RR/E-4-SS	2	10/P									
7	6LA81932000	COVER-RECYCLE	1	1/PP									
8	6LA81942000	PADDLE-RECY	1	1/P									
9	6LA81928000	BUSH-PADDLE	2	5/P									
10	6LA81937000	GEAR-8S25-4	1	1/P									
12	6LA08917000	S/TPP/HEX-3*8-NI	1	10/P								To: 12-1	
12-1	X0-02247000	S/TPP/FH/FEXM-3X8-NI	1	10/P				C	E	F	G05E930	From: 12	
13	6LA81953000	SEAL-RECY-CLN	1	1/P									
14	6LA81952000	MYLAR-RECY-CLN	1	1/P									
15	6LA81955000	ASYS-TNR-IN	1	1/PP									
16	6LA81707000	STOPPER-LID-371	1	1/P									
22	6LA85881000	ASYS-STAY-DEV-R-RGST	1	1/KP									
23	6LA82050000	COV-INNER-F371	1	1/P									
24	6LA08913000	S/TPS/HEX-4*8-NI	2	10/P								To: 24-1	
24-1	X0-02243000	S/TPS/FHEXM-4X8-ZU3	2	10/P				C	E	F	G05E996	From: 24	
25	6LA08909000	S/TPS/HEX-3*8-NI	2	10/P								To: 25-1	
25-1	X0-02239000	S/TPS/FHEXM-3X8-ZU3	2	10/P				C	E	F	G05E996	From: 25	
101	X0-00974000	RR/E-2.5-SS	2	10/P									





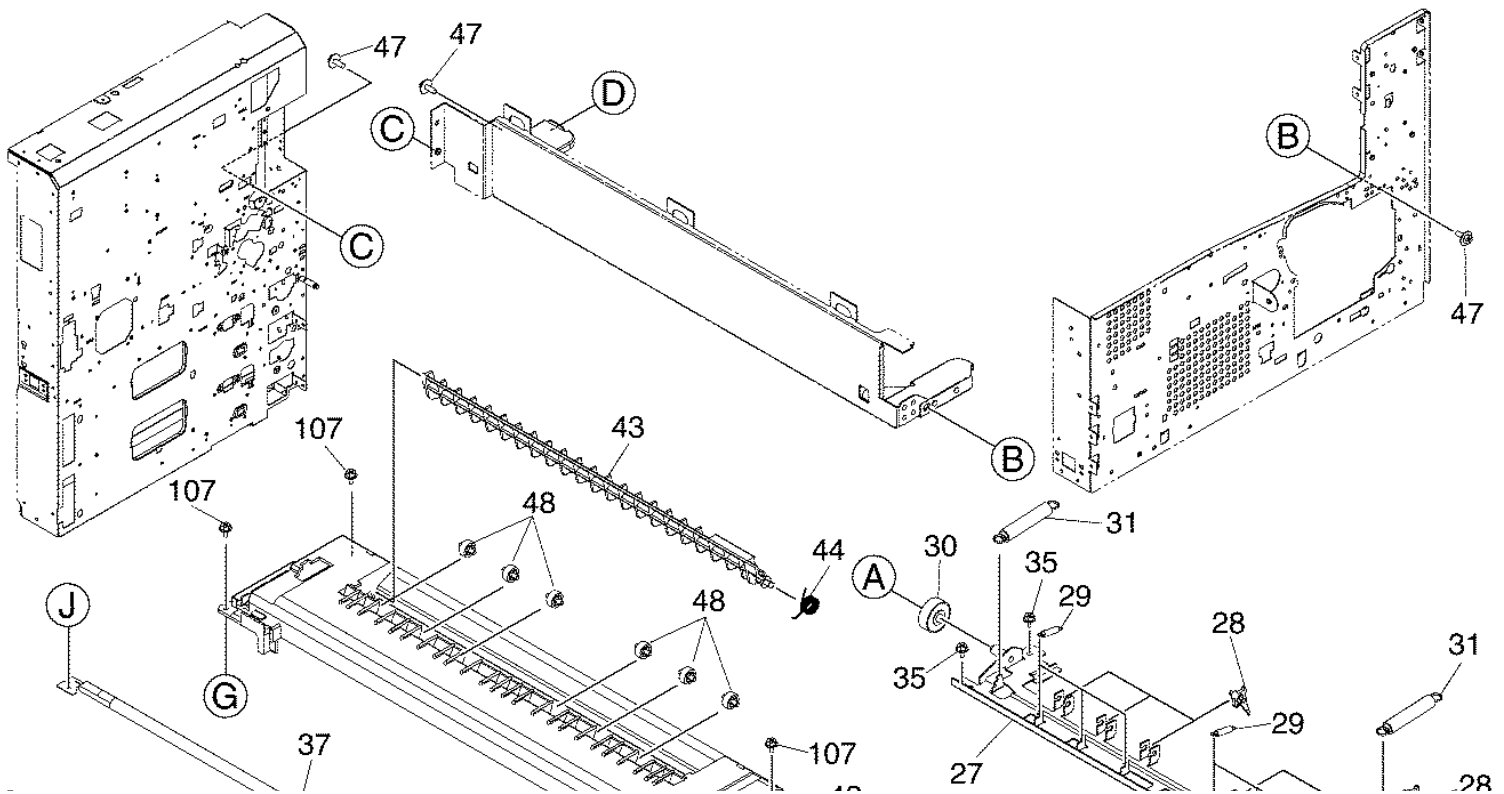
Model:

Page:

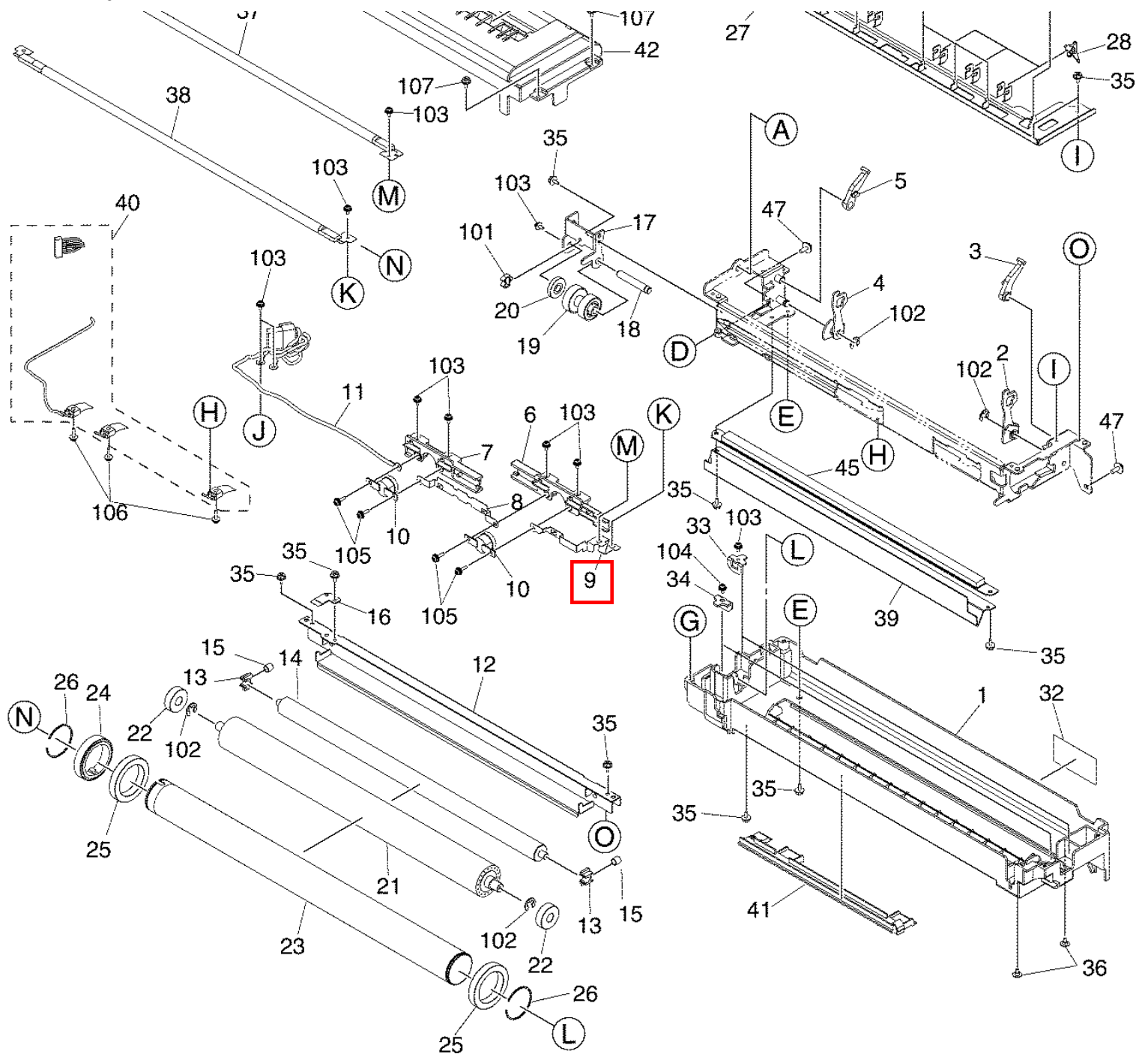
Issue  
Date:

Item No.	Parts No.	Parts Name	QTY / Unit	QTY / Pack	Part remarks	Catg.	Serial No.	P	I	R	BSI No.	Change	PC Board
1	6LA84153000	COVER-FUSER-L-371	1	1/PP									
2	6LA84072000	ARM-PR-F	1	1/P									
3	6LA84163000	LVR-P-REL-F	1	1/P									
4	6LA84073000	ARM-PR-R	1	1/P									
5	6LA84164000	LVR-P-REL-R	1	1/P									
6	6LA84177000	ASYS-HOLDER-THMS-371	1	1/PP									
7	6LA84179000	ASYS-HOLDER-THMS-C-371	1	1/P									
8	6LA84083000	PLT-THMS-CNT	1	1/P									
9	6LA84084000	PLT-THMS-LMP	1	1/P									
10	6LA89107000	THRMST-HTR-371	2	1/C									
11	6LA89443000	HRNS-LP-ACIN2-371	1	1/P									
12	6LA84052000	STAY-ROL-CLN	1	1/P									
13	6LA84131000	BUSH-CLN-PRS-371	2	1/P									
14	6LA27848000	B-2320-L	1	1/S		CSP							
15	6LA84134000	SPC-CR-FUS	2	5/P									
16	41306533000	BRUSH-FUSER-P	1	1/KP									
17	6LA84078000	BRKT-G-ENT-FUS	1	1/P									
18	6LA84043000	STUD-G-IN-FUSER	1	1/P									
19	6LA84140000	GEAR-10H21-10S20-6-FUS	1	1/P									
20	6LA84142000	ROL-IDLE-FUS-371	1	1/P									
21	6LA27847000	HR-2320-L	1	1/S		CSP							
22	44202925000	BRG608ZZM4	2	1/P								To: 22-1	
22-1	F0-01387000	608ZZS1M4BJ	2	1/P				C	E	F	G05E930	From: 22	
23	6LA27846000	HR-2320-U	1	1/S		CSP							
24	6LA84182000	GEAR-HR-RLR	1	1/P									
25	6LA84106000	BRG6806ZZ-HR	2	1/P								To: 25-1	
25-1	F0-01362000	6806ZZS1C4KZ	2	1/P				C	E	F	G05E930	From: 25	
26	41305515000	CRR-HT/RLR	2	5/P									
27	6LA84063000	ASYS-STAY-SCPR	1	1/P									
28	6LA84095000	SCRAPER-HR-371	6	6/P		MSP							
29	6LA84096000	SPE-SCR-HR-371	6	1/P									
30	41306061000	GEAR-HR/EXIT	1	1/P									
31	6LA84111000	SPE-PR-371	2	1/P									
32	6LA91430000	LBL-HOT	1	1/KP								To: 32B	
32A	6LA91430000	LBL-HOT	1	1/KP	NAD,ASD,MJD,ASU, SAD,TWD,CND			-	-	-	G04L674	From: 32	
32B	6LA84005000	LBL-HOT-373K	1	1/KP	KRD			A	-	J	G04L674	From: 32	
33	6LA84080000	PLT-TERM-M3	2	1/P									
34	6LA84081000	PLT-TERM-M4	2	1/P									
35	6LA08908000	S/TPS/HEX-3*6-NI	12	10/P								To: 35-1	
35-1	X0-02238000	S/TPS/FHEXM-3X6-ZU3	12	10/P				C	E	F	G05E996	From: 35	
36	41306916000	SCREW-SPEAKER	2	10/P									
37A	6LA84100100	LAMP-HTR-C-371-NAD	1	1/C	NAD,SAD,TWD								
37B	6LA84100200	LAMP-HTR-C-371-MJD	1	1/C	ASD,MJD,ASU,CND							To: 37B-1	
37B-1	6LA84100200	LAMP-HTR-C-371-MJD	1	1/C	ASD,MJD,ASU,CND, KRD			-	-	-	G04L674	From: 37B	
38A	6LA84101100	LAMP-HTR-S-371-NAD	1	1/C	NAD,SAD,TWD								
38B	6LA84101200	LAMP-HTR-S-371-MJD	1	1/C	ASD,MJD,ASU,CND							To: 38B-1	

38B-1	6LA84101200	LAMP-HTR-S-371-MJD	1	1/C	ASD,MJD,ASU,CND,KRD	-	-	-	G04L674	From: 38B
39	6LA84157000	GUIDE-ENT-FUS-371	1	1/P						To: 39B
39A	6LA84157000	GUIDE-ENT-FUS-371	1	1/P	NAD,ASD,MJD,ASU,SAD,TWD	-	-	-	G04K604	To: 39A-1
39A-1	6LA84157000	GUIDE-ENT-FUS-371	1	1/P	NAD,ASD,MJD,ASU,SAD,TWD,KRD	-	-	-	G04L674	From: 39A
39B	6LA84004000	GUIDE-ENT-FUS-CND	1	1/P	CND	C	B	D	G04K604	To: 39B-1
40	6LA89105000	THMS-HTR-371	1	1/C						
41	6LA84167000	COVER-WH-THMS	1	1/P						
42	6LA84155000	COVER-FUSER-U-371	1	1/C						
43	6LA84160000	GUIDE-OP-FUS-371	1	1/P						
44	6LA84136000	SPA-G-OP-FUS-371	1	1/P						
45B	6LA84002000	ASYS-BRUSH-CLN	1	1/KP	CND	A	-	D	G04K604	To: 45B-1
47	6LA08913000	S/TPS/HEX-4*8-NI	5	10/P						To: 47-1
47-1	X0-02243000	S/TPS/FHEXM-4X8-ZU3	5	10/P		C	E	F	G05E996	From: 47
48	6LA82550000	ROLL-GUIDE-EXIT	6	1/P						
101	F0-00042000	UAMS-05S-2	1	5/P						
102	X0-00966000	RR/E-5-SS	4	10/P						
103	X0-00060000	S/PAN/SWWP-M3X6-NI	7	10/P						
104	X0-00164000	S/PAN/SWWP-M4X8-NI	2	10/P						
105	X0-00094000	S/PAN/SWWP-M3X10-NI	4	10/P						
106	X0-00434000	S/BID-M3X8-NI	3	10/P						
107	6LA80090000	S/TPP/BID-3*8-NI	4	5/P						







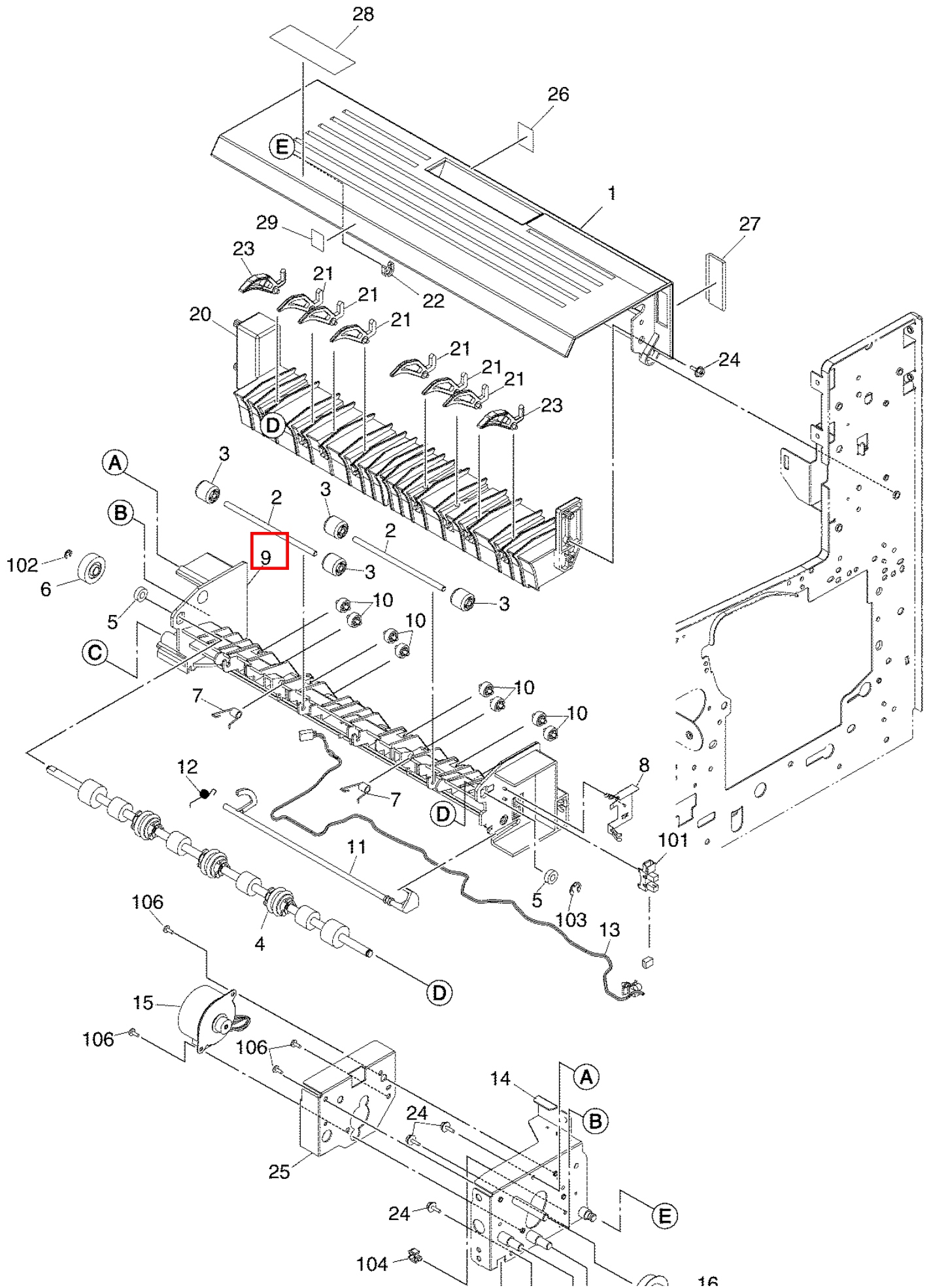
Model:

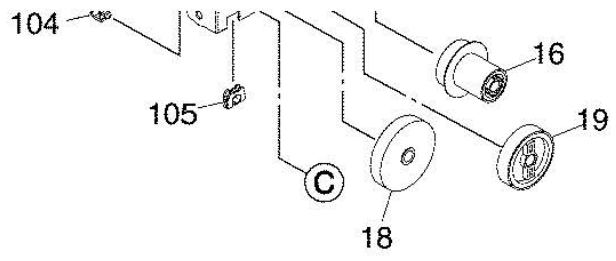
Page:

Issue

Date:

Item No.	Parts No.	Parts Name	QTY / Unit	QTY / Pack	Part remarks	Catg.	Serial No.	P	I	R	BSI No.	Change	PC Board
1	6LA82718000	COVER-EXIT-371	1	1/PP									
2	6LA82554000	SFT-EXIT-IDLE	2	1/P									
3	44203198000	ROLL-EXIT-L-320	4	1/P									
4	6LA82582000	ASYS-RLR-EXIT-371	1	1/KP									
5	6LA30795000	DDL-1260ZZH-POP25LY13	2	1/P								To: 5-1	
5-1	F0-01371000	DDL-1260ZZHP0P25LY13	2	1/P				C	E	F	G05E930	From: 5	
6	44202975000	GEAR-EXIT-U	1	1/P									
7	6LA82563000	SPG-T-EXIT-371	2	1/P									
8	6LA82599000	SPG-F-EARTH-EXIT-371	1	1/P									
9	6LA82600000	GUIDE-EXIT-L-371	1	1/PP									
10	6LA82550000	ROLL-GUIDE-EXIT	8	1/P									
11	6LA82558000	ACT-EXIT-371	1	1/D									
12	6LA82561000	SPG-T-ACT-EXIT	1	1/P									
13	6LA89425000	HRNS-EXIT-371	1	1/P									
14	6LA82622000	ASYS-BKT-EXIT-371	1	1/P									
15	6LA82692000	ASYS-MOTR-S-EXIT-371	1	1/C									
16	6LA82652000	GEAR-10S16-PS2M40-6	1	1/P									
17	6LA78447000	BLT-SY-S2M-120-4	1	1/P									
18	41306160000	GEAR-DRV-EXIT-7	1	1/P									
19	41306303000	GEAR-EXIT-9	1	1/P									
20	6LA82761000	ASYS-GUIDE-EXIT-U-371	1	1/PP									
21	6LA82742000	GATE-EXIT	6	1/P									
22	4407972860	STOP-RING-6-5	1	5/P									
23	6LA82502000	GATE-EXIT-B	2	1/P									
24	6LA08917000	S/TPP/HEX-3*8-NI	4	10/P								To: 24-1	
24-1	X0-02247000	S/TPP/FH/FEXM-3X8-NI	4	10/P				C	E	F	G05E930	From: 24	
25	6LA82503000	HS-MOTR-EXIT	1	1/P									
26	6LA91349000	LBL-JAM-2	1	5/P									
27	6LA91476000	LBL-MASK-ADU-373	1	5/P				-	-	-	G04I476		
28	6LA75470000	LBL-HOT-COV	1	1/KP								To: 28B	
28A	6LA75470000	LBL-HOT-COV	1	1/KP	NAD,ASD,MJD,ASU, SAD,TWD,CND			-	-	-	G04L674	From: 28	
28B	6LA80732000	LBL-HOT-COV-373K	1	1/KP	KRD			A	-	J	G04L674	From: 28	
29	41307995000	LBL/W-FUSER	1	5/KP									
101	4401983230	SZ-LG248L1	1	1/P								To: 101-1	
102	X0-00964000	RR/E-3-SS	1	10/P									
103	X0-00965000	RR/E-4-SS	1	10/P									
104	F0-00044000	UAMS-05-2	1	5/P									
105	F0-00339000	EHP-6U	1	5/P								To: 105-1	
106	X0-00676000	S/TPS/BID-3X6-NI	4	10/P									





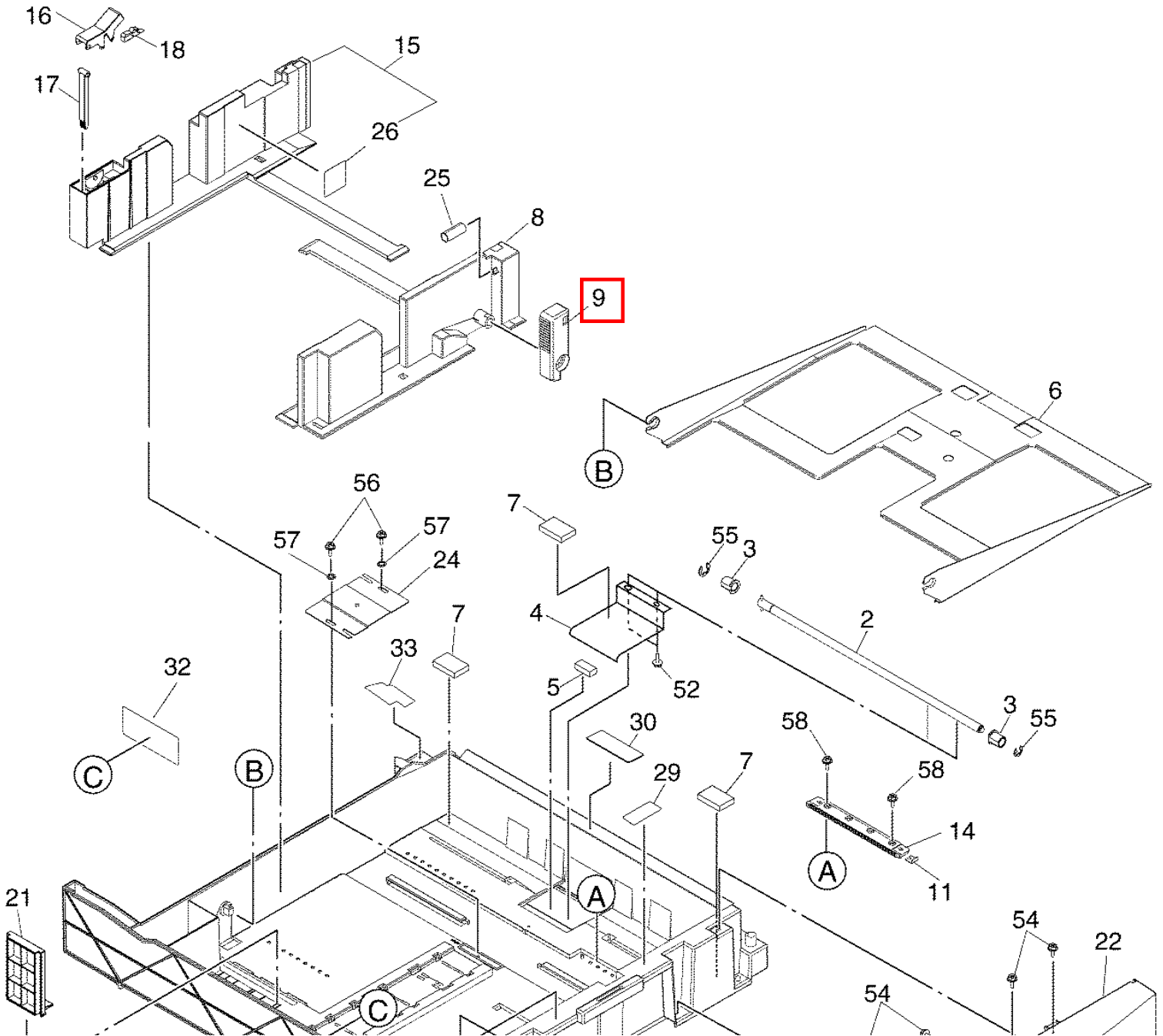
Model:

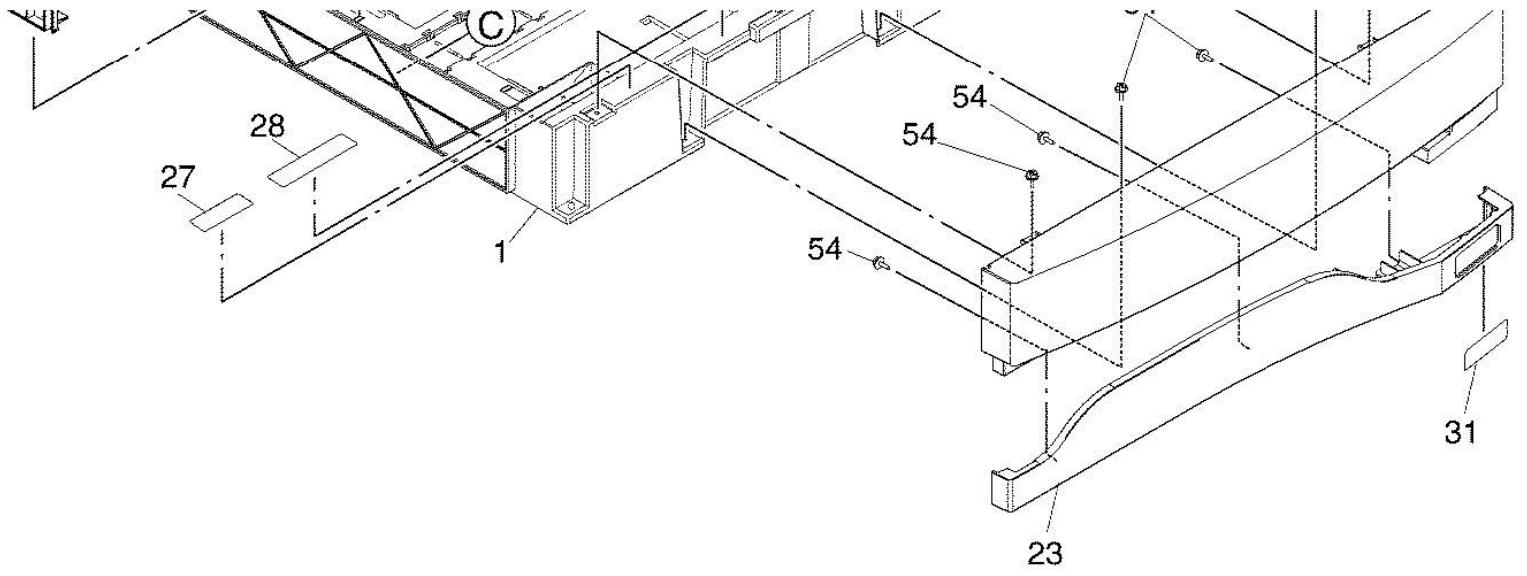
Page:

Issue  
Date:

Item No.	Parts No.	Parts Name	QTY / Unit	QTY / Pack	Part remarks	Catg.	Serial No.	P	I	R	BSI No.	Change	PC Board
1	41306032000	CST-AT	1	1/C								To: 1-1	
1-1	6LA56687200	CASE-CST	1	1/PP				C	D	J	G05D851	From: 1	
2	41304004000	K-SFT-LIFT-TRAY	1	1/P									
3	41306028000	BUSH-SFT-LIFT	2	5/P									
4	6LA29052000	LEVER-LIFT-TRAY	1	1/P								To: 4-1	
4-1	6LA60307000	LEVER-LIFT-TRAY	1	1/P				C	B	D	G05I327	From: 4	
5	41306614000	CUSH-LVR-LIFT	1	5/P									
6	6LA29053000	ASYS-TRAY-CST	1	1/P								To: 6-1	
6-1	6LA56688000	ASY-TRAY-CST-AT/DM	1	1/PP				C	D	J	G05D851	From: 6	
7	41306517000	CUSH-TRAY-CST	3	1/P									
8	41306033000	WALL-SIDE-F-AT	1	1/PP								To: 8-1	
8-1	6LA56692200	WALL-SIDE-F-AT/DM	1	1/PP				C	D	J	G05D851	From: 8	
9	41305015000	LVR-ADJUST-WALL	1	1/P								To: 9-1	
9-1	6LA56693200	LVR-ADJUST-WALL	1	1/P				C	D	J	G05D851	From: 9	
10	6LA29056000	LID-LEVER-ADJUST	1	1/P								To: 10-1	
10-1	6LA29056000	LID-LEVER-ADJUST	0	1/P				B	D	J	G05D851	From: 10	
11	41305012000	PL-ADJUST-WALL	1	1/P								To: 11-1	
11-1	6LA56707000	SPACER-RACK-CST	1	1/P				C	D	J	G05D851	From: 11	
12	41304510000	PIN-ADJUST-LVR	1	1/P								To: 12-1	
12-1	41304510000	PIN-ADJUST-LVR	0	1/P				B	D	J	G05D851	From: 12	
14	41304511000	PIN-ADJUST-WALL	1	1/P								To: 14-1	
14-1	6LA56706200	PLATE-RACK-CST	1	1/PP				C	D	J	G05D851	From: 14	
15	41304065000	K-WALL-SIDE-R	1	1/PP								To: 15-1	
15-1	6LA56703200	K-WALL-SIDE-R	1	1/PP				C	D	J	G05D851	From: 15	
16	6LA29058000	LEVER-LOCK-WALL-RER	1	1/P									
17	41306260000	LOCK-WALL-R	1	1/P									
18	41305546000	SPL-LOCK-WALL-R	1	1/P									
21	6LA29061000	WALL-CSSTT-END	1	1/P									
22	6LA60646000	COVER-CSSTT	1	1/PP								To: 22-1	
22-1	6LE40923000	COVER-CSSTT	1	1/PP				C	E	J	G05D849	From: 22	
23	6LA60647000	COVER-CSSTT-HNDL	1	1/PP								To: 23-1	
23-1	6LE40920000	COVER-CSSTT-HNDL	1	1/PP				C	E	J	G05D849	From: 23	
24	6LA29059000	ASYS-PLATE-PINION	1	1/P								To: 24-1	
24-1	6LA56699000	ASYS-PL-PINION-TRY	1	1/P				C	D	J	G05D851	From: 24	
25	41305503000	SPC-LVR-WALL	1	1/P								To: 25-1	
25-1	6LA56695000	SPC-LVR-WALL-F	1	1/P				C	D	J	G05D851	From: 25	
26	41307701000	LBL/O-P-MAX	1	5/KP									
27	6LA29062000	LBL-O-PAPER	1	1/KP								To: 27-1	
27-1	6LE40703000	LBL_O-PAPER-2	1	1/KP				C	D	J	G05D851	From: 27	
28	6LA29063000	LBL-O-GUIDE	1	1/KP								To: 28-1	
28-1	6LE40701000	LBL_O-GUIDE-2	1	1/KP				C	D	J	G05D851	From: 28	
29	6LA29064000	LBL-O-LD	1	1/KP								To: 29-1	
29-1	6LE40702000	LBL_O-GUIDE-LCD	1	1/KP				C	D	J	G05D851	From: 29	
30	41307599000	SHEET-CST	1	1/KP									
31A	6LA29549000	SHEET-SIZE-LT	1	1/KP	NAD								
31B	6LA29550000	SHEET-SIZE-A4	1	1/KP	ASD,MJD,ASU,SAD, TWD,CND							To: 31B-1	

31B-1	6LA29550000	SHEET-SIZE-A4	1	1/KP	ASD,MJD,ASU,SAD, TWD,CND,KRD	-	-	-	G04L674	From: 31B
32	6LE40700000	LBL_O-LD-2	1	1/KP		A	D	J	G05D851	
33	6LE40704000	MYLAR-CST-BK	1	1/P		A	D	J	G05D851	
51	X0-00963000	RR/E-2-SS	1	10/P						
52	X0-00434000	S/BID-M3X8-NI	2	10/P						
54	6LA08917000	S/TPP/HEX-3*8-NI	10	10/P						To: 54-1
54-1	6LA08917000	S/TPP/HEX-3*8-NI	9	10/P		D	-	J	G05D851	To: 54-2
54-2	6LA08917000	S/TPP/HEX-3*8-NI	7	10/P		B	-	E	G05D854	To: 54-3
54-3	X0-02247000	S/TPP/FH/FEYM-3X8-NI	7	10/P		B	-	E	G05E930	From: 54-2
55	X0-00968000	RR/E-7-SS	2	10/P						
56	X0-01989000	S/TPP/BID-3X8-NI	2	10/P						
57	X0-02116000	W/TH/A-3-SS	2	10/P						
58	X0-01414000	S/TPP/BID-3X6-NC	2	10/P		A	D	J	G05D851	





Model:

Page:

Issue  
Date:

Item No.	Parts No.	Parts Name	QTY / Unit	QTY / Pack	Part remarks	Catg.	Serial No.	P	I	R	BSI No.	Change	PC Board
0A	6LA89809000	ASY-PWA-LGC-371S	1	1/SB	e-STUDIO230,e-STUDIO230L,e-STUDIO230S			-	-	-	G04I476	To: 0A-1	
0B	6LA89810000	ASY-PWA-LGC-372S	1	1/SB	e-STUDIO280,e-STUDIO280S			-	-	-	G04I476	To: 0B-1	
0C	6LA89817000	ASY-PWA-LGC-373S	1	1/SB	e-STUDIO200L			-	-	-	G04I476	To: 0C-1	
11	C0-00921000	TA8428K(S)	1	5/S									IC1
12	C0-06860001	LM2902MX/NOPB	1	5/S									IC2
14	C0-08141001	TD62308AFG(EL)	1	5/S									IC4
15	C0-08141001	TD62308AFG(EL)	1	5/S									IC5
16	C0-08141001	TD62308AFG(EL)	1	5/S									IC6
18	C0-08142001	TD62385AFG(EL)	1	5/S									IC8
19	C0-01957001	DM7407MX	1	5/S								To: 19-1	IC9
19-1	C0-02509001	SN7407DR	1	1/S				E	-	J	G04L675	From: 19	IC9
20	C0-06993000	EC-N065 KS4H2U1773CFP	1	5/S									IC10
21	C0-01943001	74VHC244MTCX	1	1/S									IC11
22	C0-01931001	74LCX244MTCX	1	1/S									IC12
23	C0-01932001	74LCX245MTCX	1	1/S									IC13
24	C0-01931001	74LCX244MTCX	1	1/S									IC14
25	C0-01931001	74LCX244MTCX	1	1/S									IC15
26	C0-01952001	74VHCT541AMTCX	1	1/S									IC16
27	C0-00921000	TA8428K(S)	1	5/S									IC17
28	C0-01943001	74VHC244MTCX	1	1/S									IC18
29	C0-01943001	74VHC244MTCX	1	1/S									IC19
30	C0-01957001	DM7407MX	1	5/S								To: 30-1	IC20
30-1	C0-02509001	SN7407DR	1	1/S				E	-	J	G04L675	From: 30	IC20
31	C0-01946001	74VHC32MTCX	1	1/S									IC21
32	C0-06762000	EC-N062 TMP95C063FE	1	1/S									IC22
33	C0-01943001	74VHC244MTCX	1	1/S									IC23
34	C0-07768000	EC-N075 S1L51252F33G000	1	5/S									IC24
35	C0-01946001	74VHC32MTCX	1	1/S									IC25
36	C0-01562000	TA48M033F	1	5/P									IC26
37	C0-06568001	74VHCT14AMTCX	1	5/S									IC27
38	C0-06076001	74VHC02MTCX	1	5/P									IC28
39	C0-01941001	74VHC14MTCX	1	1/S									IC29
40	C0-01943001	74VHC244MTCX	1	1/S									IC30
41	E0-07855000	1-390262-2	1	5/S									IC31
42	C0-01935001	74VHC04MTCX	1	1/S									IC32
43	C0-01937001	74VHC08MTCX	1	1/S									IC33



44	C0-01934001	74VHC00MTCX	1	1/S									IC34
45	C0-01946001	74VHC32MTCX	1	1/S									IC35
46	C0-01935001	74VHC04MTCX	1	1/S									IC36
47	C0-07812001	NC7SZ125P5X	1	5/S									IC37
48	C0-08141001	TD62308AFG(EL)	1	5/S									IC38
49	C0-08141001	TD62308AFG(EL)	1	5/S									IC39
51	C0-01572001	TA75339F(TP2)	1	5/S									IC41
52	C0-01937001	74VHC08MTCX	1	1/S									IC42
53	C0-01572001	TA75339F(TP2)	1	5/S									IC43
54	C0-04597001	74VHC245MTCX	1	5/S									IC44
55	C0-01943001	74VHC244MTCX	1	1/S									IC45
56	C0-07895000	MBM29F400TC-70PFTN-E1	1	5/S									IC46
57	C0-05984001	AS7C1024A-15TCTR	1	5/S								To: 57-1	IC47
57-1	C0-08987001	CY7C109B-15ZCT	1	5/S			C	E	J	G051338		From: 57	IC47
58	C0-08142001	TD62385AFG(EL)	1	5/S									IC48
59	C0-08141001	TD62308AFG(EL)	1	5/S									IC49
60	C0-02021000	STK672-210	1	1/S									IC50
61	C0-06860001	LM2902MX/NOPB	1	5/S									IC51
62	C0-07829001	MB88347PF-ER-E1	1	5/S									IC52
63	C0-01957001	DM7407MX	1	5/S								To: 63-1	IC53
63-1	C0-02509001	SN7407DR	1	1/S				E	-	J	G04L675	From: 63	IC53
64	C0-01957001	DM7407MX	1	5/S								To: 64-1	IC54
64-1	C0-02509001	SN7407DR	1	1/S				E	-	J	G04L675	From: 64	IC54
111	C0-02013001	MAX6001EUR-T	1	1/S									IC101
151	C0-08136000	2SA1428-Y(F)	1	5/P									Q1
251	C0-08139002	RN2401(TE85L F)	1	5/P									Q101
252	C0-08139002	RN2401(TE85L F)	1	5/P									Q102
253	C0-08138001	RN1401(TE85R F)	1	5/P									Q103
254	C0-08139002	RN2401(TE85L F)	1	5/P									Q104
255	C0-08138001	RN1401(TE85R F)	1	5/P									Q105
256	C0-08138001	RN1401(TE85R F)	1	5/P									Q106
257	C0-08139002	RN2401(TE85L F)	1	5/P									Q107
258	C0-08138001	RN1401(TE85R F)	1	5/P									Q108
259	C0-08138001	RN1401(TE85R F)	1	5/P									Q109
260	C0-08138001	RN1401(TE85R F)	1	5/P									Q110
261	C0-08133002	2SC2712-Y(TE85L F)	1	5/P									Q111
262	C0-08138001	RN1401(TE85R F)	1	5/P									Q112
263	C0-08138001	RN1401(TE85R F)	1	5/P									Q113
301	C0-08127002	1SS193(TE85L F)	1	5/P									D101
302	C0-08127002	1SS193(TE85L F)	1	5/P									D102
303	C0-08127002	1SS193(TE85L F)	1	5/P									D103
304	C0-08127002	1SS193(TE85L F)	1	5/P									D104
305	C0-08127002	1SS193(TE85L F)	1	5/P									D105
306	C0-08186001	HRB0103BTR	1	5/P									D106
308	C0-08127002	1SS193(TE85L F)	1	5/P									D108

309	C0-08127002	1SS193(TE85L F)	1	5/P															D109
310	C0-08186001	HRB0103BTR	1	5/P															D110
401	C0-08130001	02CZ3.3-X(TE85R F)	1	5/P															ZD101
402	C0-08909001	02CZ7.5-Y(TE85L F)	1	5/P															ZD102
403	C0-08129001	02CZ18-Y(TE85R F)	1	5/P															ZD103
451	D0-16818001	MV50VC10MF55E0	1	5/P															C1
452	D0-16841001	MV35VC47MH63E0	1	5/P															C2
453	D0-16813001	MV16VC22ME55E0	1	5/P															C3
454	D0-16812001	MV16VC10MD55E0	1	5/P															C4
455	D0-16818001	MV50VC10MF55E0	1	5/P															C5
456	D0-16820001	MV50VC100MJ10E0	1	5/P															C6
457	D0-16814001	MV16VC47MF55E0	1	5/P															C7
458	D0-16831001	MV16VC100MH63E0	1	5/P															C8
459	D0-16820001	MV50VC100MJ10E0	1	5/P															C9
460	D0-16820001	MV50VC100MJ10E0	1	5/P															C10
461	D0-16831001	MV16VC100MH63E0	1	5/P															C11
462	D0-16814001	MV16VC47MF55E0	1	5/P															C12
463	D0-16817001	MV35VC4R7MD55E0	1	5/P															C13
464	D0-16814001	MV16VC47MF55E0	1	5/P															C14
465	D0-16820001	MV50VC100MJ10E0	1	5/P															C15
552	D0-04099001	GRM188F11C104ZA01D	1	10/P															C102
553	D0-04099001	GRM188F11C104ZA01D	1	10/P															C103
554	D0-04099001	GRM188F11C104ZA01D	1	10/P															C104
555	D0-04099001	GRM188F11C104ZA01D	1	10/P															C105
556	D0-04099001	GRM188F11C104ZA01D	1	10/P															C106
557	D0-04099001	GRM188F11C104ZA01D	1	10/P															C107
559	D0-05722001	GRM219F11H104ZA01D	1	10/P															C109
560	D0-04099001	GRM188F11C104ZA01D	1	10/P															C110
561	D0-05722001	GRM219F11H104ZA01D	1	10/P															C111
562	D0-04099001	GRM188F11C104ZA01D	1	10/P															C112
563	D0-04099001	GRM188F11C104ZA01D	1	10/P															C113
564	D0-04099001	GRM188F11C104ZA01D	1	10/P															C114
565	D0-04099001	GRM188F11C104ZA01D	1	10/P															C115
566	D0-05722001	GRM219F11H104ZA01D	1	10/P															C116
567	D0-04099001	GRM188F11C104ZA01D	1	10/P															C117
568	D0-04099001	GRM188F11C104ZA01D	1	10/P															C118
569	D0-04099001	GRM188F11C104ZA01D	1	10/P															C119
570	D0-04099001	GRM188F11C104ZA01D	1	10/P															C120
571	D0-04099001	GRM188F11C104ZA01D	1	10/P															C121
572	D0-04099001	GRM188F11C104ZA01D	1	10/P															C122
573	D0-04099001	GRM188F11C104ZA01D	1	10/P															C123
574	D0-05722001	GRM219F11H104ZA01D	1	10/P															C124
575	D0-04099001	GRM188F11C104ZA01D	1	10/P															C125
576	D0-04099001	GRM188F11C104ZA01D	1	10/P															C126
577	D0-04099001	GRM188F11C104ZA01D	1	10/P															C127
578	D0-04099001	GRM188F11C104ZA01D	1	10/P															C128

579	D0-05722001	GRM219F11H104ZA01D	1	10/P																C129	
580	D0-05722001	GRM219F11H104ZA01D	1	10/P																	C130
581	D0-04099001	GRM188F11C104ZA01D	1	10/P																	C131
582	D0-04099001	GRM188F11C104ZA01D	1	10/P																	C132
583	D0-04099001	GRM188F11C104ZA01D	1	10/P																	C133
584	D0-05722001	GRM219F11H104ZA01D	1	10/P																	C134
585	D0-04099001	GRM188F11C104ZA01D	1	10/P																	C135
586	D0-05722001	GRM219F11H104ZA01D	1	10/P																	C136
587	D0-04099001	GRM188F11C104ZA01D	1	10/P																	C137
588	D0-04099001	GRM188F11C104ZA01D	1	10/P																	C138
589	D0-04099001	GRM188F11C104ZA01D	1	10/P																	C139
590	D0-04099001	GRM188F11C104ZA01D	1	10/P																	C140
591	D0-07512001	GRM188B11E223KA01D	1	10/P																	C141
592	D0-04099001	GRM188F11C104ZA01D	1	10/P																	C142
593	D0-04099001	GRM188F11C104ZA01D	1	10/P																	C143
594	D0-04099001	GRM188F11C104ZA01D	1	10/P																	C144
595	D0-05722001	GRM219F11H104ZA01D	1	10/P																	C145
596	D0-05722001	GRM219F11H104ZA01D	1	10/P																	C146
597	D0-04099001	GRM188F11C104ZA01D	1	10/P																	C147
598	D0-04099001	GRM188F11C104ZA01D	1	10/P																	C148
599	D0-04099001	GRM188F11C104ZA01D	1	10/P																	C149
600	D0-05722001	GRM219F11H104ZA01D	1	10/P																	C150
601	D0-04099001	GRM188F11C104ZA01D	1	10/P																	C151
602	D0-07518001	GRM188B11H471KA01D	1	10/P																	C152
603	D0-04102001	GRM1882C1H101JA01D	1	10/P																	C153
605	D0-04099001	GRM188F11C104ZA01D	1	10/P																	C155
606	D0-04099001	GRM188F11C104ZA01D	1	10/P																	C156
607	D0-04092001	GRM188B11H222KA01D	1	10/P																	C157
608	D0-04092001	GRM188B11H222KA01D	1	10/P																	C158
609	D0-04099001	GRM188F11C104ZA01D	1	10/P																	C159
610	D0-04099001	GRM188F11C104ZA01D	1	10/P																	C160
611	D0-04099001	GRM188F11C104ZA01D	1	10/P																	C161
612	D0-04099001	GRM188F11C104ZA01D	1	10/P																	C162
613	D0-04099001	GRM188F11C104ZA01D	1	10/P																	C163
614	D0-04099001	GRM188F11C104ZA01D	1	10/P																	C164
615	D0-04099001	GRM188F11C104ZA01D	1	10/P																	C165
616	D0-04099001	GRM188F11C104ZA01D	1	10/P																	C166
617	D0-04099001	GRM188F11C104ZA01D	1	10/P																	C167
618	D0-04099001	GRM188F11C104ZA01D	1	10/P																	C168
619	D0-04099001	GRM188F11C104ZA01D	1	10/P																	C169
620	D0-04099001	GRM188F11C104ZA01D	1	10/P																	C170
621	D0-04099001	GRM188F11C104ZA01D	1	10/P																	C171
622	D0-04099001	GRM188F11C104ZA01D	1	10/P																	C172
623	D0-04099001	GRM188F11C104ZA01D	1	10/P																	C173
624	D0-04099001	GRM188F11C104ZA01D	1	10/P																	C174
625	D0-07518001	GRM188B11H471KA01D	1	10/P																	C175

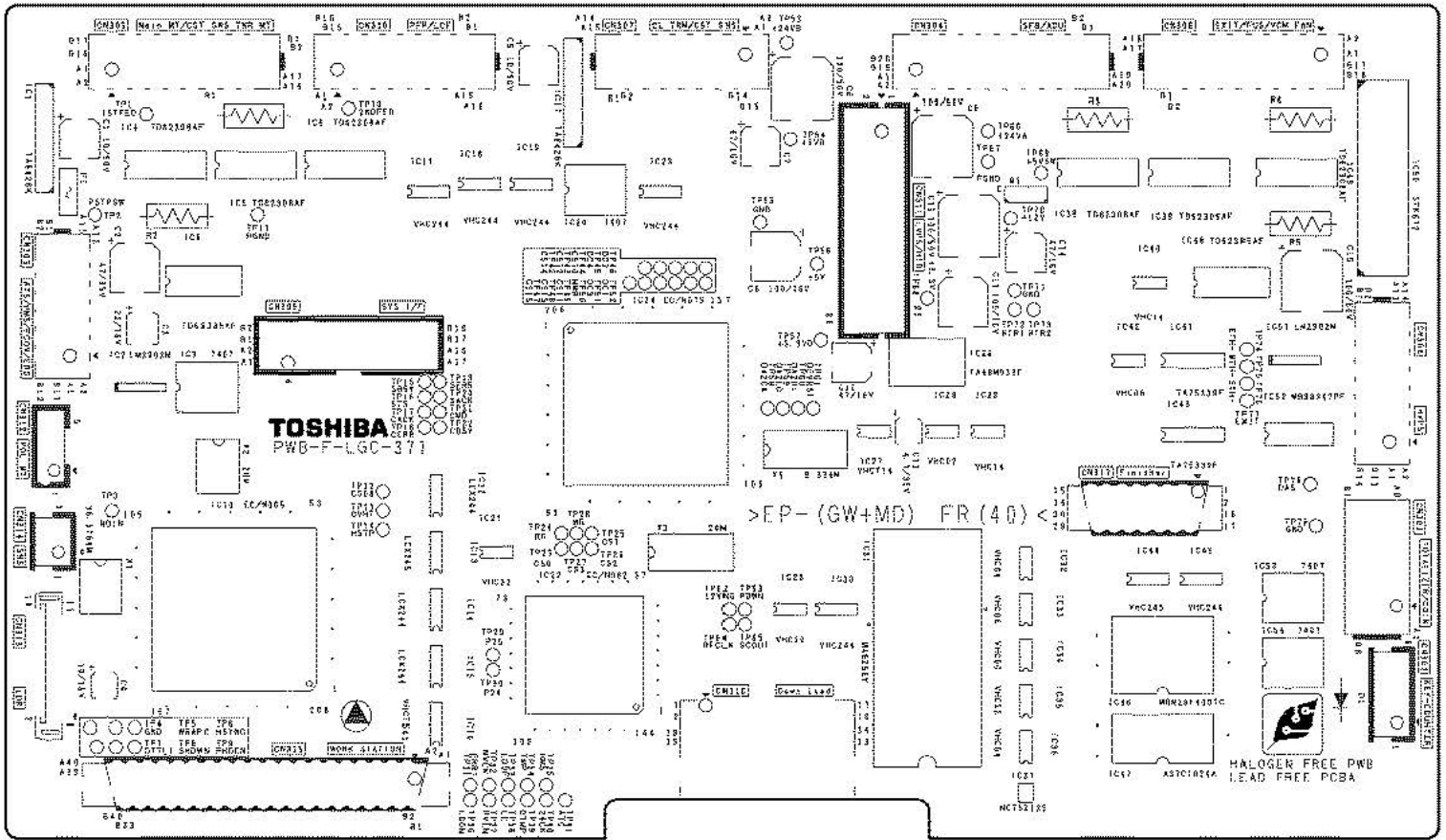
626	D0-04092001	GRM188B11H222KA01D	1	10/P																	C176	
627	D0-04099001	GRM188F11C104ZA01D	1	10/P																		C177
628	D0-04092001	GRM188B11H222KA01D	1	10/P																		C178
629	D0-04099001	GRM188F11C104ZA01D	1	10/P																		C179
630	D0-04099001	GRM188F11C104ZA01D	1	10/P																		C180
631	D0-05722001	GRM219F11H104ZA01D	1	10/P																		C181
632	D0-04099001	GRM188F11C104ZA01D	1	10/P																		C182
633	D0-07518001	GRM188B11H471KA01D	1	10/P																		C183
634	D0-04099001	GRM188F11C104ZA01D	1	10/P																		C184
635	D0-04099001	GRM188F11C104ZA01D	1	10/P																		C185
636	D0-04085001	GRM1882C1H100JZ01D	1	10/P																		C186
637	D0-04085001	GRM1882C1H100JZ01D	1	10/P																		C187
638	D0-04099001	GRM188F11C104ZA01D	1	10/P																		C188
639	D0-04099001	GRM188F11C104ZA01D	1	10/P																		C189
640	D0-04099001	GRM188F11C104ZA01D	1	10/P																		C190
641	D0-04099001	GRM188F11C104ZA01D	1	10/P																		C191
642	D0-04099001	GRM188F11C104ZA01D	1	10/P																		C192
643	D0-04099001	GRM188F11C104ZA01D	1	10/P																		C193
644	D0-04099001	GRM188F11C104ZA01D	1	10/P																		C194
645	D0-04099001	GRM188F11C104ZA01D	1	10/P																		C195
646	D0-04099001	GRM188F11C104ZA01D	1	10/P																		C196
647	D0-04099001	GRM188F11C104ZA01D	1	10/P																		C197
648	D0-04099001	GRM188F11C104ZA01D	1	10/P																		C198
649	D0-04099001	GRM188F11C104ZA01D	1	10/P																		C199
650	D0-04092001	GRM188B11H222KA01D	1	10/P																		C200
651	D0-04085001	GRM1882C1H100JZ01D	1	10/P																		C201
652	D0-04085001	GRM1882C1H100JZ01D	1	10/P																		C202
653	D0-04099001	GRM188F11C104ZA01D	1	10/P																		C203
654	D0-04099001	GRM188F11C104ZA01D	1	10/P																		C204
655	D0-04099001	GRM188F11C104ZA01D	1	10/P																		C205
656	D0-04099001	GRM188F11C104ZA01D	1	10/P																		C206
657	D0-04099001	GRM188F11C104ZA01D	1	10/P																		C207
658	D0-04099001	GRM188F11C104ZA01D	1	10/P																		C208
659	D0-04099001	GRM188F11C104ZA01D	1	10/P																		C209
660	D0-04099001	GRM188F11C104ZA01D	1	10/P																		C210
661	D0-04099001	GRM188F11C104ZA01D	1	10/P																		C211
662	D0-04099001	GRM188F11C104ZA01D	1	10/P																		C212
663	D0-04099001	GRM188F11C104ZA01D	1	10/P																		C213
664	D0-04099001	GRM188F11C104ZA01D	1	10/P																		C214
665	D0-04099001	GRM188F11C104ZA01D	1	10/P																		C215
666	D0-04099001	GRM188F11C104ZA01D	1	10/P																		C216
667	D0-04092001	GRM188B11H222KA01D	1	10/P																		C217
668	D0-04099001	GRM188F11C104ZA01D	1	10/P																		C218
669	D0-04099001	GRM188F11C104ZA01D	1	10/P																		C219
670	D0-04099001	GRM188F11C104ZA01D	1	10/P																		C220
671	D0-04099001	GRM188F11C104ZA01D	1	10/P																		C221



718	D0-04093001	GRM1882C1H220JZ01D	1	10/P											C268
719	D0-04093001	GRM1882C1H220JZ01D	1	10/P											C269
721	D0-04093001	GRM1882C1H220JZ01D	1	10/P											C271
722	D0-04093001	GRM1882C1H220JZ01D	1	10/P											C272
723	D0-04099001	GRM188F11C104ZA01D	1	10/P											C273
724	D0-04093001	GRM1882C1H220JZ01D	1	10/P											C274
725	D0-04093001	GRM1882C1H220JZ01D	1	10/P											C275
726	D0-04093001	GRM1882C1H220JZ01D	1	10/P											C276
727	D0-04101001	GRM188B11H102KA01D	1	10/P											C277
728	D0-04099001	GRM188F11C104ZA01D	1	10/P											C278
729	D0-04099001	GRM188F11C104ZA01D	1	10/P											C279
730	D0-04101001	GRM188B11H102KA01D	1	10/P											C280
731	D0-04101001	GRM188B11H102KA01D	1	10/P											C281
732	D0-04099001	GRM188F11C104ZA01D	1	10/P											C282
733	D0-04099001	GRM188F11C104ZA01D	1	10/P											C283
734	D0-04101001	GRM188B11H102KA01D	1	10/P											C284
735	D0-07487001	GRM1882C1H180JZ01D	1	10/P											C285
736	D0-04101001	GRM188B11H102KA01D	1	10/P											C286
737	D0-04099001	GRM188F11C104ZA01D	1	10/P											C287
738	D0-04101001	GRM188B11H102KA01D	1	10/P											C288
739	D0-04100001	GRM188B11H103KA01D	1	10/P											C289
740	D0-04101001	GRM188B11H102KA01D	1	10/P											C290
741	D0-04101001	GRM188B11H102KA01D	1	10/P											C291
742	D0-04099001	GRM188F11C104ZA01D	1	10/P											C292
743	D0-04101001	GRM188B11H102KA01D	1	10/P											C293
744	D0-04099001	GRM188F11C104ZA01D	1	10/P											C294
745	D0-04101001	GRM188B11H102KA01D	1	10/P											C295
746	D0-04099001	GRM188F11C104ZA01D	1	10/P											C296
747	D0-04101001	GRM188B11H102KA01D	1	10/P											C297
748	D0-04099001	GRM188F11C104ZA01D	1	10/P											C298
749	D0-04099001	GRM188F11C104ZA01D	1	10/P											C299
750	D0-04101001	GRM188B11H102KA01D	1	10/P											C300
751	D0-04101001	GRM188B11H102KA01D	1	10/P											C301
752	D0-04099001	GRM188F11C104ZA01D	1	10/P											C302
753	D0-04099001	GRM188F11C104ZA01D	1	10/P											C303
754	D0-05722001	GRM219F11H104ZA01D	1	10/P											C304
755	D0-04092001	GRM188B11H222KA01D	1	10/P											C305
756	D0-04099001	GRM188F11C104ZA01D	1	10/P											C306
757	D0-04101001	GRM188B11H102KA01D	1	10/P											C307
758	D0-04101001	GRM188B11H102KA01D	1	10/P											C308
759	D0-04099001	GRM188F11C104ZA01D	1	10/P											C309
760	D0-04100001	GRM188B11H103KA01D	1	10/P											C310
761	D0-04099001	GRM188F11C104ZA01D	1	10/P											C311
762	D0-04101001	GRM188B11H102KA01D	1	10/P											C312
763	D0-04099001	GRM188F11C104ZA01D	1	10/P											C313
764	D0-04099001	GRM188F11C104ZA01D	1	10/P											C314

## Parts List and Image

765	D0-04099001	GRM188F11C104ZA01D	1	10/P															C315
766	D0-05722001	GRM219F11H104ZA01D	1	10/P															C316
767	D0-04099001	GRM188F11C104ZA01D	1	10/P															C317
768	D0-04099001	GRM188F11C104ZA01D	1	10/P															C318
769	D0-05722001	GRM219F11H104ZA01D	1	10/P															C319
770	D0-04099001	GRM188F11C104ZA01D	1	10/P															C320
771	D0-04099001	GRM188F11C104ZA01D	1	10/P															C321
772	D0-04101001	GRM188B11H102KA01D	1	10/P															C322
773	D0-04099001	GRM188F11C104ZA01D	1	10/P															C323
774	D0-04101001	GRM188B11H102KA01D	1	10/P															C324
775	D0-07487001	GRM1882C1H180JZ01D	1	10/P															C325
776	D0-04099001	GRM188F11C104ZA01D	1	10/P															C326
777	D0-04101001	GRM188B11H102KA01D	1	10/P															C327
778	D0-04099001	GRM188F11C104ZA01D	1	10/P															C328
779	D0-04099001	GRM188F11C104ZA01D	1	10/P															C329
780	D0-04099001	GRM188F11C104ZA01D	1	10/P															C330
781	D0-04099001	GRM188F11C104ZA01D	1	10/P															C331
782	D0-04099001	GRM188F11C104ZA01D	1	10/P															C332
783	D0-05722001	GRM219F11H104ZA01D	1	10/P															C333
785	D0-04099001	GRM188F11C104ZA01D	1	10/P															C335
786	D0-04099001	GRM188F11C104ZA01D	1	10/P															C336
788	D0-04099001	GRM188F11C104ZA01D	1	10/P															C338
789	D0-04093001	GRM1882C1H220JZ01D	1	10/P															C339
790	D0-04093001	GRM1882C1H220JZ01D	1	10/P															C340
791	D0-04093001	GRM1882C1H220JZ01D	1	10/P															C341
792	D0-04093001	GRM1882C1H220JZ01D	1	10/P															C342





Model:

Page:

Issue  
Date:

Item No.	Parts No.	Parts Name	QTY / Unit	QTY / Pack	Part remarks	Catg.	Serial No.	P	I	R	BSI No.	Change	PC Board
1	D0-16495000	RSMF2BL101J	1	5/P									R1
2	D0-16495000	RSMF2BL101J	1	5/P									R2
3	D0-16495000	RSMF2BL101J	1	5/P									R3
4	D0-16495000	RSMF2BL101J	1	5/P									R4
5	D0-16495000	RSMF2BL101J	1	5/P									R5
101	D0-00992001	MCR03EZHZJ271	1	5/P									R101
102	D0-01038001	MCR03EZHZJ682	1	5/P									R102
103	D0-01099001	MCR03EZPF2202	1	5/P									R103
104	D0-00954001	MCR03EZHZJ104	1	10/P									R104
105	D0-01052001	MCR03EZPF1001	1	10/P									R105
106	D0-01052001	MCR03EZPF1001	1	10/P									R106
107	D0-01052001	MCR03EZPF1001	1	10/P									R107
108	D0-01099001	MCR03EZPF2202	1	5/P									R108
109	D0-01052001	MCR03EZPF1001	1	10/P									R109
110	D0-01052001	MCR03EZPF1001	1	10/P									R110
111	D0-01099001	MCR03EZPF2202	1	5/P									R111
112	D0-01099001	MCR03EZPF2202	1	5/P									R112
113	D0-01052001	MCR03EZPF1001	1	10/P									R113
114	D0-00981001	MCR03EZHZJ220	1	10/P									R114
115	D0-00951001	MCR03EZHZJ101	1	10/P									R115
116	D0-00951001	MCR03EZHZJ101	1	10/P									R116
117	D0-00951001	MCR03EZHZJ101	1	10/P									R117

118	D0-01037001	MCR03EZHJ681	1	5/P															R118
119	D0-01037001	MCR03EZHJ681	1	5/P															R119
120	D0-01037001	MCR03EZHJ681	1	5/P															R120
121	D0-01149001	MCR03EZPF4701	1	5/P															R121
122	D0-01176001	MCR03EZPF6800	1	5/P															R122
123	D0-01089001	MCR03EZPF1803	1	5/P															R123
124	D0-01149001	MCR03EZPF4701	1	5/P															R124
125	D0-01053001	MCR03EZPF1002	1	10/P															R125
126	D0-01098001	MCR03EZPF2201	1	5/P															R126
127	D0-01053001	MCR03EZPF1002	1	10/P															R127
128	D0-01052001	MCR03EZPF1001	1	10/P															R128
129	D0-01098001	MCR03EZPF2201	1	5/P															R129
130	D0-00981001	MCR03EZHJ220	1	10/P															R130
131	D0-00981001	MCR03EZHJ220	1	10/P															R131
132	D0-00981001	MCR03EZHJ220	1	10/P															R132
133	D0-00981001	MCR03EZHJ220	1	10/P															R133
134	D0-00981001	MCR03EZHJ220	1	10/P															R134
135	D0-01020001	MCR03EZHJ472	1	10/P															R135
136	D0-01020001	MCR03EZHJ472	1	10/P															R136
137	D0-01020001	MCR03EZHJ472	1	10/P															R137
138	D0-01020001	MCR03EZHJ472	1	10/P															R138
139	D0-01020001	MCR03EZHJ472	1	10/P															R139
140	D0-01020001	MCR03EZHJ472	1	10/P															R140
141	D0-01020001	MCR03EZHJ472	1	10/P															R141
142	D0-01052001	MCR03EZPF1001	1	10/P															R142
143	D0-00951001	MCR03EZHJ101	1	10/P															R143

144	D0-00951001	MCR03EZHZ101	1	10/P																R144	
145	D0-01176001	MCR03EZPFX6800	1	5/P																	R145
146	D0-01149001	MCR03EZPFX4701	1	5/P																	R146
147	D0-01052001	MCR03EZPFX1001	1	10/P																	R147
148	D0-01089001	MCR03EZPFX1803	1	5/P																	R148
149	D0-01149001	MCR03EZPFX4701	1	5/P																	R149
150	D0-01176001	MCR03EZPFX6800	1	5/P																	R150
151	D0-01052001	MCR03EZPFX1001	1	10/P																	R151
152	D0-01149001	MCR03EZPFX4701	1	5/P																	R152
153	D0-01089001	MCR03EZPFX1803	1	5/P																	R153
154	D0-01149001	MCR03EZPFX4701	1	5/P																	R154
155	D0-01052001	MCR03EZPFX1001	1	10/P																	R155
156	D0-01098001	MCR03EZPFX2201	1	5/P																	R156
157	D0-00951001	MCR03EZHZ101	1	10/P																	R157
158	D0-00951001	MCR03EZHZ101	1	10/P																	R158
159	D0-01089001	MCR03EZPFX1803	1	5/P																	R159
160	D0-01149001	MCR03EZPFX4701	1	5/P																	R160
161	D0-01053001	MCR03EZPFX1002	1	10/P																	R161
162	D0-01052001	MCR03EZPFX1001	1	10/P																	R162
163	D0-01089001	MCR03EZPFX1803	1	5/P																	R163
164	D0-01149001	MCR03EZPFX4701	1	5/P																	R164
165	D0-01089001	MCR03EZPFX1803	1	5/P																	R165
166	D0-01149001	MCR03EZPFX4701	1	5/P																	R166
167	D0-00981001	MCR03EZHZ220	1	10/P																	R167
168	D0-00981001	MCR03EZHZ220	1	10/P																	R168
169	D0-00981001	MCR03EZHZ220	1	10/P																	R169

170	D0-00981001	MCR03EZHJ220	1	10/P											R170
171	D0-00981001	MCR03EZHJ220	1	10/P											R171
172	D0-00981001	MCR03EZHJ220	1	10/P											R172
173	D0-00981001	MCR03EZHJ220	1	10/P											R173
174	D0-00981001	MCR03EZHJ220	1	10/P											R174
175	D0-00981001	MCR03EZHJ220	1	10/P											R175
176	D0-01020001	MCR03EZHJ472	1	10/P											R176
177	D0-01020001	MCR03EZHJ472	1	10/P											R177
178	D0-01020001	MCR03EZHJ472	1	10/P											R178
179	D0-01020001	MCR03EZHJ472	1	10/P											R179
180	D0-01020001	MCR03EZHJ472	1	10/P											R180
181	D0-01020001	MCR03EZHJ472	1	10/P											R181
182	D0-01020001	MCR03EZHJ472	1	10/P											R182
183	D0-01020001	MCR03EZHJ472	1	10/P											R183
184	D0-00981001	MCR03EZHJ220	1	10/P											R184
185	D0-00981001	MCR03EZHJ220	1	10/P											R185
186	D0-01020001	MCR03EZHJ472	1	10/P											R186
187	D0-00951001	MCR03EZHJ101	1	10/P											R187
188	D0-01020001	MCR03EZHJ472	1	10/P											R188
189	D0-01036001	MCR03EZHJ680	1	10/P											R189
190	D0-01020001	MCR03EZHJ472	1	10/P											R190
191	D0-01004001	MCR03EZHJ332	1	10/P											R191
192	D0-00981001	MCR03EZHJ220	1	10/P											R192
193	D0-00952001	MCR03EZHJ102	1	10/P											R193
194	D0-00953001	MCR03EZHJ103	1	10/P											R194
195	D0-00952001	MCR03EZHJ102	1	10/P											R195

196	D0-00953001	MCR03EZHJ103	1	10/P															R196
197	D0-01020001	MCR03EZHJ472	1	10/P															R197
198	D0-00951001	MCR03EZHJ101	1	10/P															R198
199	D0-00951001	MCR03EZHJ101	1	10/P															R199
200	D0-00951001	MCR03EZHJ101	1	10/P															R200
201	D0-00951001	MCR03EZHJ101	1	10/P															R201
202	D0-00949001	MCR03EZHJ000	1	10/P															R202
204	D0-01020001	MCR03EZHJ472	1	10/P															R204
205	D0-01020001	MCR03EZHJ472	1	10/P															R205
206	D0-01020001	MCR03EZHJ472	1	10/P															R206
207	D0-01020001	MCR03EZHJ472	1	10/P															R207
208	D0-01020001	MCR03EZHJ472	1	10/P															R208
209	D0-01020001	MCR03EZHJ472	1	10/P															R209
210	D0-01020001	MCR03EZHJ472	1	10/P															R210
211	D0-01020001	MCR03EZHJ472	1	10/P															R211
212	D0-01020001	MCR03EZHJ472	1	10/P															R212
213	D0-01020001	MCR03EZHJ472	1	10/P															R213
214	D0-01020001	MCR03EZHJ472	1	10/P															R214
215	D0-01020001	MCR03EZHJ472	1	10/P															R215
216	D0-01003001	MCR03EZHJ331	1	10/P															R216
217	D0-01003001	MCR03EZHJ331	1	10/P															R217
218	D0-01003001	MCR03EZHJ331	1	10/P															R218
219	D0-00953001	MCR03EZHJ103	1	10/P															R219
220	D0-00952001	MCR03EZHJ102	1	10/P															R220
221	D0-01020001	MCR03EZHJ472	1	10/P															R221
222	D0-01020001	MCR03EZHJ472	1	10/P															R222



252	D0-00951001	MCR03EZHJ101	1	10/P													R252
253	D0-00951001	MCR03EZHJ101	1	10/P													R253
254	D0-00949001	MCR03EZHJ000	1	10/P													R254
256	D0-00984001	MCR03EZHJ223	1	10/P													R256
257	D0-00984001	MCR03EZHJ223	1	10/P													R257
258	D0-00984001	MCR03EZHJ223	1	10/P													R258
259	D0-00951001	MCR03EZHJ101	1	10/P													R259
260	D0-00951001	MCR03EZHJ101	1	10/P													R260
261	D0-01019001	MCR03EZHJ471	1	5/P													R261
262	D0-00955001	MCR03EZHJ105	1	10/P													R262
263	D0-01020001	MCR03EZHJ472	1	10/P													R263
264	D0-01020001	MCR03EZHJ472	1	10/P													R264
265	D0-01020001	MCR03EZHJ472	1	10/P													R265
266	D0-01020001	MCR03EZHJ472	1	10/P													R266
267	D0-01020001	MCR03EZHJ472	1	10/P													R267
268	D0-01020001	MCR03EZHJ472	1	10/P													R268
269	D0-01020001	MCR03EZHJ472	1	10/P													R269
270	D0-01020001	MCR03EZHJ472	1	10/P													R270
271	D0-01020001	MCR03EZHJ472	1	10/P													R271
272	D0-01020001	MCR03EZHJ472	1	10/P													R272
273	D0-00984001	MCR03EZHJ223	1	10/P													R273
274	D0-00984001	MCR03EZHJ223	1	10/P													R274
275	D0-00984001	MCR03EZHJ223	1	10/P													R275
276	D0-00984001	MCR03EZHJ223	1	10/P													R276
277	D0-00984001	MCR03EZHJ223	1	10/P													R277
278	D0-00984001	MCR03EZHJ223	1	10/P													R278

279	D0-00984001	MCR03EZHJ223	1	10/P																R279
280	D0-00984001	MCR03EZHJ223	1	10/P																R280
281	D0-00984001	MCR03EZHJ223	1	10/P																R281
284	D0-01020001	MCR03EZHJ472	1	10/P																R284
285	D0-00984001	MCR03EZHJ223	1	10/P																R285
286	D0-01020001	MCR03EZHJ472	1	10/P																R286
287	D0-00984001	MCR03EZHJ223	1	10/P																R287
288	D0-00984001	MCR03EZHJ223	1	10/P																R288
289	D0-00984001	MCR03EZHJ223	1	10/P																R289
290	D0-00984001	MCR03EZHJ223	1	10/P																R290
291	D0-00984001	MCR03EZHJ223	1	10/P																R291
292	D0-00984001	MCR03EZHJ223	1	10/P																R292
293	D0-00984001	MCR03EZHJ223	1	10/P																R293
294	D0-00984001	MCR03EZHJ223	1	10/P																R294
295B	D0-00951001	MCR03EZHJ101	1	10/P	e-STUDIO280,e-STUDIO280S															R295
296	D0-00951001	MCR03EZHJ101	1	10/P																R296
298	D0-01020001	MCR03EZHJ472	1	10/P																R298
299	D0-01020001	MCR03EZHJ472	1	10/P																R299
300	D0-00984001	MCR03EZHJ223	1	10/P																R300
301	D0-00984001	MCR03EZHJ223	1	10/P																R301
302	D0-00951001	MCR03EZHJ101	1	10/P																R302
304	D0-01020001	MCR03EZHJ472	1	10/P																R304
305	D0-01020001	MCR03EZHJ472	1	10/P																R305
306	D0-01020001	MCR03EZHJ472	1	10/P																R306
307	D0-01020001	MCR03EZHJ472	1	10/P																R307
308	D0-01020001	MCR03EZHJ472	1	10/P																R308





340	D0-01020001	MCR03EZHJ472	1	10/P															R340
341	D0-01020001	MCR03EZHJ472	1	10/P															R341
342	D0-01020001	MCR03EZHJ472	1	10/P															R342
343	D0-01020001	MCR03EZHJ472	1	10/P															R343
344	D0-01020001	MCR03EZHJ472	1	10/P															R344
345	D0-01020001	MCR03EZHJ472	1	10/P															R345
350	D0-00984001	MCR03EZHJ223	1	10/P															R350
351	D0-01020001	MCR03EZHJ472	1	10/P															R351
352	D0-01020001	MCR03EZHJ472	1	10/P															R352
353	D0-01020001	MCR03EZHJ472	1	10/P															R353
354	D0-00984001	MCR03EZHJ223	1	10/P															R354
355	D0-00984001	MCR03EZHJ223	1	10/P															R355
356	D0-00984001	MCR03EZHJ223	1	10/P															R356
358	D0-01020001	MCR03EZHJ472	1	10/P															R358
359	D0-01020001	MCR03EZHJ472	1	10/P															R359
360	D0-01020001	MCR03EZHJ472	1	10/P															R360
362	D0-00984001	MCR03EZHJ223	1	10/P															R362
363	D0-00984001	MCR03EZHJ223	1	10/P															R363
364	D0-00984001	MCR03EZHJ223	1	10/P															R364
366	D0-00984001	MCR03EZHJ223	1	10/P															R366
367	D0-01020001	MCR03EZHJ472	1	10/P															R367
368	D0-00984001	MCR03EZHJ223	1	10/P															R368
369	D0-01020001	MCR03EZHJ472	1	10/P															R369
370	D0-00984001	MCR03EZHJ223	1	10/P															R370
371	D0-01020001	MCR03EZHJ472	1	10/P															R371
372	D0-00984001	MCR03EZHJ223	1	10/P															R372

373	D0-00984001	MCR03EZHJ223	1	10/P															R373
374	D0-01020001	MCR03EZHJ472	1	10/P															R374
375	D0-01020001	MCR03EZHJ472	1	10/P															R375
376	D0-00984001	MCR03EZHJ223	1	10/P															R376
377	D0-00984001	MCR03EZHJ223	1	10/P															R377
378	D0-00984001	MCR03EZHJ223	1	10/P															R378
379	D0-00984001	MCR03EZHJ223	1	10/P															R379
380	D0-00984001	MCR03EZHJ223	1	10/P															R380
381	D0-00984001	MCR03EZHJ223	1	10/P															R381
382	D0-00984001	MCR03EZHJ223	1	10/P															R382
383	D0-00984001	MCR03EZHJ223	1	10/P															R383
384	D0-00984001	MCR03EZHJ223	1	10/P															R384
385	D0-01021001	MCR03EZHJ473	1	10/P															R385
386	D0-01020001	MCR03EZHJ472	1	10/P															R386
387	D0-00984001	MCR03EZHJ223	1	10/P															R387
388	D0-01099001	MCR03EZPF2202	1	5/P															R388
389	D0-01020001	MCR03EZHJ472	1	10/P															R389
390	D0-00984001	MCR03EZHJ223	1	10/P															R390
391	D0-01020001	MCR03EZHJ472	1	10/P															R391
392	D0-00984001	MCR03EZHJ223	1	10/P															R392
393	D0-01020001	MCR03EZHJ472	1	10/P															R393
394	D0-00984001	MCR03EZHJ223	1	10/P															R394
395	D0-00984001	MCR03EZHJ223	1	10/P															R395
396	D0-01020001	MCR03EZHJ472	1	10/P															R396
397	D0-01020001	MCR03EZHJ472	1	10/P															R397
398	D0-01020001	MCR03EZHJ472	1	10/P															R398

399	D0-01020001	MCR03EZHJ472	1	10/P															R399
400	D0-01020001	MCR03EZHJ472	1	10/P															R400
401	D0-01020001	MCR03EZHJ472	1	10/P															R401
402	D0-01020001	MCR03EZHJ472	1	10/P															R402
403	D0-01020001	MCR03EZHJ472	1	10/P															R403
404	D0-01020001	MCR03EZHJ472	1	10/P															R404
405	D0-01020001	MCR03EZHJ472	1	10/P															R405
406	D0-01020001	MCR03EZHJ472	1	10/P															R406
407	D0-01020001	MCR03EZHJ472	1	10/P															R407
408	D0-01125001	MCR03EZPFX3301	1	10/P															R408
409	D0-01098001	MCR03EZPFX2201	1	5/P															R409
410	D0-01149001	MCR03EZPFX4701	1	5/P															R410
411	D0-00984001	MCR03EZHJ223	1	10/P															R411
412	D0-00984001	MCR03EZHJ223	1	10/P															R412
413	D0-01020001	MCR03EZHJ472	1	10/P															R413
414	D0-00984001	MCR03EZHJ223	1	10/P															R414
415	D0-01020001	MCR03EZHJ472	1	10/P															R415
416	D0-00984001	MCR03EZHJ223	1	10/P															R416
417	D0-01020001	MCR03EZHJ472	1	10/P															R417
418	D0-00984001	MCR03EZHJ223	1	10/P															R418
419	D0-01020001	MCR03EZHJ472	1	10/P															R419
420	D0-00984001	MCR03EZHJ223	1	10/P															R420
421	D0-01020001	MCR03EZHJ472	1	10/P															R421
422	D0-00984001	MCR03EZHJ223	1	10/P															R422
423	D0-01020001	MCR03EZHJ472	1	10/P															R423
424	D0-00984001	MCR03EZHJ223	1	10/P															R424

425	D0-01020001	MCR03EZHJ472	1	10/P																R425	
426	D0-00984001	MCR03EZHJ223	1	10/P																	R426
427	D0-01020001	MCR03EZHJ472	1	10/P																	R427
428	D0-00984001	MCR03EZHJ223	1	10/P																	R428
429	D0-01020001	MCR03EZHJ472	1	10/P																	R429
430	D0-00984001	MCR03EZHJ223	1	10/P																	R430
431	D0-00984001	MCR03EZHJ223	1	10/P																	R431
432	D0-00984001	MCR03EZHJ223	1	10/P																	R432
433	D0-01020001	MCR03EZHJ472	1	10/P																	R433
434	D0-01020001	MCR03EZHJ472	1	10/P																	R434
435	D0-01020001	MCR03EZHJ472	1	10/P																	R435
436	D0-00951001	MCR03EZHJ101	1	10/P																	R436
437	D0-01019001	MCR03EZHJ471	1	5/P																	R437
438	D0-01019001	MCR03EZHJ471	1	5/P																	R438
439	D0-01019001	MCR03EZHJ471	1	5/P																	R439
440	D0-01019001	MCR03EZHJ471	1	5/P																	R440
441	D0-01004001	MCR03EZHJ332	1	10/P																	R441
442	D0-00973001	MCR03EZHJ181	1	5/P																	R442
443	D0-00951001	MCR03EZHJ101	1	10/P																	R443
444	D0-00951001	MCR03EZHJ101	1	10/P																	R444
445	D0-00951001	MCR03EZHJ101	1	10/P																	R445
446	D0-00951001	MCR03EZHJ101	1	10/P																	R446
447	D0-00951001	MCR03EZHJ101	1	10/P																	R447
449	D0-01053001	MCR03EZPFX1002	1	10/P																	R449
450	D0-01053001	MCR03EZPFX1002	1	10/P																	R450
451	D0-00984001	MCR03EZHJ223	1	10/P																	R451



478	D0-00973001	MCR03EZHJ181	1	5/P																R478
479	D0-01020001	MCR03EZHJ472	1	10/P																R479
480	D0-01020001	MCR03EZHJ472	1	10/P																R480
481	D0-01020001	MCR03EZHJ472	1	10/P																R481
482	D0-01020001	MCR03EZHJ472	1	10/P																R482
483	D0-01020001	MCR03EZHJ472	1	10/P																R483
484	D0-01020001	MCR03EZHJ472	1	10/P																R484
485	D0-01020001	MCR03EZHJ472	1	10/P																R485
486	D0-01020001	MCR03EZHJ472	1	10/P																R486
487	D0-01020001	MCR03EZHJ472	1	10/P																R487
488	D0-01020001	MCR03EZHJ472	1	10/P																R488
489	D0-01020001	MCR03EZHJ472	1	10/P																R489
490	D0-01020001	MCR03EZHJ472	1	10/P																R490
491	D0-00953001	MCR03EZHJ103	1	10/P																R491
492	D0-00983001	MCR03EZHJ222	1	10/P																R492
493	D0-00951001	MCR03EZHJ101	1	10/P																R493
494	D0-00951001	MCR03EZHJ101	1	10/P																R494
495	D0-01004001	MCR03EZHJ332	1	10/P																R495
496	D0-01004001	MCR03EZHJ332	1	10/P																R496
497	D0-01020001	MCR03EZHJ472	1	10/P																R497
498	D0-01075001	MCR03EZPFX1501	1	5/P																R498
499	D0-01075001	MCR03EZPFX1501	1	5/P																R499
500	D0-01063001	MCR03EZPFX1201	1	10/P																R500
501	D0-00973001	MCR03EZHJ181	1	5/P																R501
502	D0-00973001	MCR03EZHJ181	1	5/P																R502
503	D0-00981001	MCR03EZHJ220	1	10/P																R503

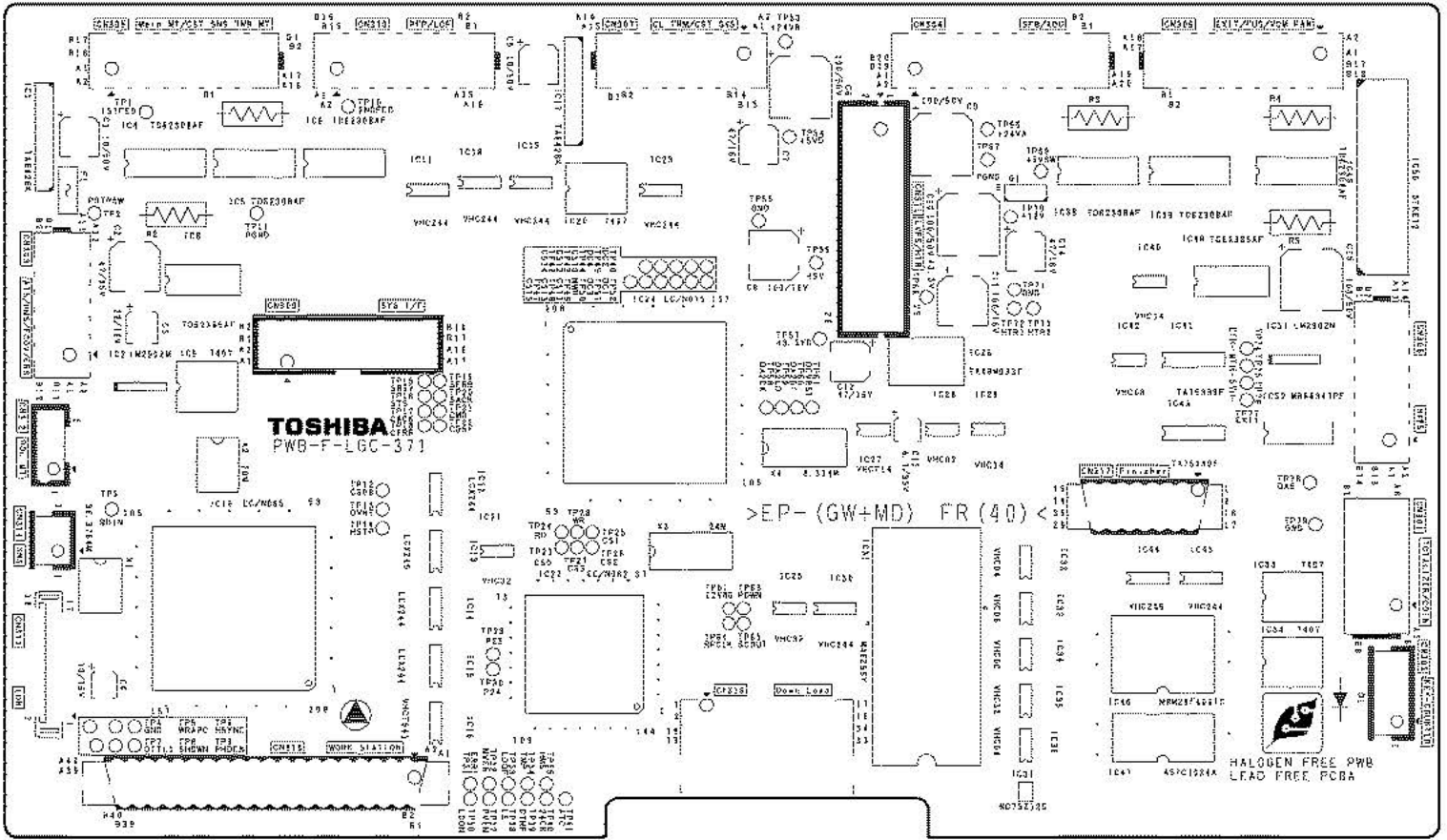




532	D0-01053001	MCR03EZPFX1002	1	10/P														R532
533	D0-00949001	MCR03EZHJ000	1	10/P														R533
535	D0-00951001	MCR03EZHJ101	1	10/P														R535
536	D0-01020001	MCR03EZHJ472	1	10/P														R536
537	D0-01020001	MCR03EZHJ472	1	10/P														R537
538	D0-01020001	MCR03EZHJ472	1	10/P														R538
539	D0-00949001	MCR03EZHJ000	1	10/P														R539
540	D0-01036001	MCR03EZHJ680	1	10/P														R540
541	D0-00951001	MCR03EZHJ101	1	10/P														R541
542	D0-00951001	MCR03EZHJ101	1	10/P														R542
543	D0-01012001	MCR03EZHJ392	1	5/P														R543
545	D0-00951001	MCR03EZHJ101	1	10/P														R545
547	D0-01075001	MCR03EZPFX1501	1	5/P														R547
548	D0-01052001	MCR03EZPFX1001	1	10/P														R548
549	D0-01020001	MCR03EZHJ472	1	10/P														R549
550	D0-00949001	MCR03EZHJ000	1	10/P														R550
551	D0-01038001	MCR03EZHJ682	1	5/P														R551
553	D0-00981001	MCR03EZHJ220	1	10/P														R553
555	D0-00949001	MCR03EZHJ000	1	10/P														R555
556	D0-01020001	MCR03EZHJ472	1	10/P														R556
561	D0-01020001	MCR03EZHJ472	1	10/P														R561
562	D0-00981001	MCR03EZHJ220	1	10/P														R562
563	D0-00981001	MCR03EZHJ220	1	10/P														R563
564	D0-00981001	MCR03EZHJ220	1	10/P														R564
565	D0-00981001	MCR03EZHJ220	1	10/P														R565
566	D0-00949001	MCR03EZHJ000	1	10/P														R566

567	D0-00949001	MCR03EZHJ000	1	10/P															R567
568	D0-00949001	MCR03EZHJ000	1	10/P															R568
569	D0-01004001	MCR03EZHJ332	1	10/P															R569
570	D0-01004001	MCR03EZHJ332	1	10/P															R570
571	D0-01004001	MCR03EZHJ332	1	10/P															R571
572	D0-01004001	MCR03EZHJ332	1	10/P															R572
573	D0-01004001	MCR03EZHJ332	1	10/P															R573
574	D0-01004001	MCR03EZHJ332	1	10/P															R574
576	D0-01038001	MCR03EZHJ682	1	5/P															R576
577	D0-01038001	MCR03EZHJ682	1	5/P															R577
578	D0-01038001	MCR03EZHJ682	1	5/P															R578
579	D0-01038001	MCR03EZHJ682	1	5/P															R579
580	D0-01038001	MCR03EZHJ682	1	5/P															R580
581	D0-01038001	MCR03EZHJ682	1	5/P															R581
582	D0-01038001	MCR03EZHJ682	1	5/P															R582
583	D0-01038001	MCR03EZHJ682	1	5/P															R583
584	D0-01020001	MCR03EZHJ472	1	10/P															R584
585	D0-00984001	MCR03EZHJ223	1	10/P															R585
586	D0-01020001	MCR03EZHJ472	1	10/P															R586
901	E0-06866000	1-292252-6	1	5/P															CN301
902	E0-06855000	292132-6	1	5/P															CN302
903A	E0-06770000	B22B-CZW HK-B-1 (LF)	1	5/P	e-STUDIO230,e-STUDIO230L,e-STUDIO230S						-	-	-	G04I476					CN303
903B	E0-06771000	B24B-CZW HK-B-1 (LF)	1	5/P	e-STUDIO280,e-STUDIO280S						-	-	-	G04I476					CN303
904	E0-06779000	B40B-CZW HK-B-1 (LF)	1	5/P															CN304
905	E0-06776000	B34B-CZW HK-B-1 (LF)	1	5/P															CN305

906	E0-06777000	B36B-CZW HK-B-1 (LF)	1	5/P															CN306
907	E0-06774000	B30B-CZW HK-B-1 (LF)	1	5/P															CN307
908	E0-06773000	B28B-CZW HK-B-1 (LF)	1	5/P															CN308
909	E0-01712000	HIF6A-34PA-1.27DSA	1	5/P															CN309
910	E0-06775000	B32B-CZW HK-B-1 (LF)	1	5/P															CN310
911	E0-07150000	B26B-XADSS-N-A (LF)	1	5/P															CN311
912	E0-07147000	B5B-PH-KBLC-H (LF)	1	5/P															CN312
913	E0-06614001	00 6208 518 310 000	1	5/P															CN313
916	E0-02160000	DHB-PA34-R13NNA	1	1/P															CN316
917	E0-00112000	174215-1	1	1/P															CN317
931	E0-04296000	RXE040	1	5/P															F1
951	D0-18793001	SG-8002JF-36.3784M-PCBL	1	5/P															X1
952	D0-18794001	SG-8002JF-20M-PCBL	1	5/P															X2
953	D0-12253001	MA-406-24M-10/50L2	1	5/P															X3
954	D0-16117001	MA-406-8.334M-16/50	1	5/P															X4



Model:

Page:

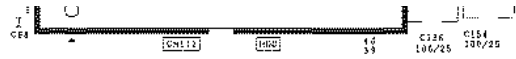
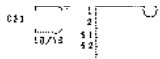
Issue

Date:

Item No.	Parts No.	Parts Name	QTY / Unit	QTY / Pack	Part remarks	Catg.	Serial No.	P	I	R	BSI No.	Change	PC Board
0	6LA88724000	ASY-PWA-SYS-371S	1	1/SB								To: 0-1	
0-1	6LA89814000	ASY-PWA-SYS-371S	1	1/SB				C	E	J	G04L668	To: 0-2	
0-2	6LA89826000	ASY-PWA-SYS-371S	1	1/SB				C	E	J	G05E941	From: 0-1	
18	C0-07987001	M29KW032E90N1T	1	5/P								To: 18-1	IC8
18-1	C0-07828000	MBM29LV320BE-90TN-E1	1	1/S				C	-	J	G04L668	From: 18	IC8
19	C0-08122001	TC7WH157FK(TE85L F)	1	5/P									IC9
20	C0-02802001	SN74LV138APWR	1	5/S									IC10
21	C0-02019001	M51957BFP C61J	1	5/S									IC11
22	C0-02019001	M51957BFP C61J	1	5/S									IC12
23	C0-06557001	SN74LVC1G32DBVR	1	5/S									IC13
24	C0-02806001	SN74LV14APWR	1	1/P									IC14
25	C0-06557001	SN74LVC1G32DBVR	1	5/S									IC15
26	C0-06559001	SN74LVC1G04DBVR	1	5/S									IC16
27	C0-06558001	SN74LVC1G08DBVR	1	5/S									IC17
28	C0-02806001	SN74LV14APWR	1	1/P									IC18
29	C0-06558001	SN74LVC1G08DBVR	1	5/S									IC19
30	C0-06556001	SN74LVC1G14DBVR	1	5/S									IC20
31	C0-06556001	SN74LVC1G14DBVR	1	5/S									IC21
32	C0-06558001	SN74LVC1G08DBVR	1	5/S									IC22
34	C0-06558001	SN74LVC1G08DBVR	1	5/S									IC24
35	C0-07988001	M29KW016E90N1T	1	5/P								To: 35-1	IC25
35-1	C0-07827000	MBM29LV160BE-90TN-E1	1	1/S				C	-	J	G04L668	From: 35	IC25
36	C0-02884001	SN74LVC245APWR	1	5/S									IC26
38	C0-06325000	EC-N048 T6TN7EFG-001	1	1/S									IC28
39	C0-07987001	M29KW032E90N1T	1	5/P								To: 39-1	IC29
39-1	C0-07828000	MBM29LV320BE-90TN-E1	1	1/S				C	-	J	G04L668	From: 39	IC29
40	C0-05990001	SN74LVC74APWR	1	5/P									IC30
41	C0-02884001	SN74LVC245APWR	1	5/S									IC31
42	C0-05990001	SN74LVC74APWR	1	5/P									IC32
43	C0-08180001	RS5C372A-E2-FB	1	5/S									IC33
44	C0-07988001	M29KW016E90N1T	1	5/P								To: 44-1	IC34
44-1	C0-07827000	MBM29LV160BE-90TN-E1	1	1/S				C	-	J	G04L668	From: 44	IC34
45	C0-02883001	SN74LVC244APWR	1	5/S									IC35
46	C0-02883001	SN74LVC244APWR	1	5/S									IC36
47	C0-02883001	SN74LVC244APWR	1	5/S									IC37
48	C0-07854000	TMPR4937XBG-300 (TND)	1	5/S									IC38









Model:

Page:

Issue  
Date:

Item No.	Parts No.	Parts Name	QTY / Unit	QTY / Pack	Part remarks	Catg.	Serial No.	P	I	R	BSI No.	Change	PC Board
3	D0-07622001	GRM188B11E104KA01D	1	5/P									C3
4	D0-07622001	GRM188B11E104KA01D	1	5/P									C4
5	D0-16829001	MV10VC100MF60E0	1	5/P									C5
6	D0-07622001	GRM188B11E104KA01D	1	5/P									C6
7	D0-16829001	MV10VC100MF60E0	1	5/P									C7
8	D0-07622001	GRM188B11E104KA01D	1	5/P									C8
9	D0-16829001	MV10VC100MF60E0	1	5/P									C9
10	D0-07622001	GRM188B11E104KA01D	1	5/P									C10
11	D0-07622001	GRM188B11E104KA01D	1	5/P									C11
14	D0-07622001	GRM188B11E104KA01D	1	5/P									C14
15	D0-07622001	GRM188B11E104KA01D	1	5/P									C15
16	D0-16812001	MV16VC10MD55E0	1	5/P									C16
17	D0-07622001	GRM188B11E104KA01D	1	5/P									C17
18	D0-07622001	GRM188B11E104KA01D	1	5/P									C18
19	D0-16812001	MV16VC10MD55E0	1	5/P									C19
20	D0-16812001	MV16VC10MD55E0	1	5/P									C20
21	D0-16812001	MV16VC10MD55E0	1	5/P									C21
22	D0-16812001	MV16VC10MD55E0	1	5/P									C22
23	D0-07622001	GRM188B11E104KA01D	1	5/P									C23
24	D0-07622001	GRM188B11E104KA01D	1	5/P									C24
25	D0-07622001	GRM188B11E104KA01D	1	5/P									C25
26	D0-07622001	GRM188B11E104KA01D	1	5/P									C26
27	D0-07622001	GRM188B11E104KA01D	1	5/P									C27



57	D0-16812001	MV16VC10MD55E0	1	5/P															C57
58	D0-07622001	GRM188B11E104KA01D	1	5/P															C58
59	D0-07622001	GRM188B11E104KA01D	1	5/P															C59
60	D0-04093001	GRM1882C1H220JZ01D	1	10/P															C60
61	D0-07622001	GRM188B11E104KA01D	1	5/P															C61
62	D0-07622001	GRM188B11E104KA01D	1	5/P															C62
63	D0-07622001	GRM188B11E104KA01D	1	5/P															C63
64	D0-07622001	GRM188B11E104KA01D	1	5/P															C64
65	D0-07622001	GRM188B11E104KA01D	1	5/P															C65
66	D0-05723001	GRM21BF11C105ZA01L	1	10/P															C66
67	D0-16825001	MV6.3VC330MH63E0	1	5/P															C67
68	D0-16829001	MV10VC100MF60E0	1	5/P															C68
69	D0-16813001	MV16VC22ME55E0	1	5/P															C69
70	D0-07622001	GRM188B11E104KA01D	1	5/P															C70
71	D0-07622001	GRM188B11E104KA01D	1	5/P															C71
72	D0-07622001	GRM188B11E104KA01D	1	5/P															C72
73	D0-07622001	GRM188B11E104KA01D	1	5/P															C73
74	D0-07622001	GRM188B11E104KA01D	1	5/P															C74
75	D0-07622001	GRM188B11E104KA01D	1	5/P															C75
76	D0-07622001	GRM188B11E104KA01D	1	5/P															C76
77	D0-07622001	GRM188B11E104KA01D	1	5/P															C77
78	D0-07622001	GRM188B11E104KA01D	1	5/P															C78
79	D0-04085001	GRM1882C1H100JZ01D	1	10/P															C79
80	D0-04093001	GRM1882C1H220JZ01D	1	10/P															C80
81	D0-07622001	GRM188B11E104KA01D	1	5/P															C81
82	D0-07622001	GRM188B11E104KA01D	1	5/P															C82

83	D0-04102001	GRM1882C1H101JA01D	1	10/P																	C83	
84	D0-07622001	GRM188B11E104KA01D	1	5/P																		C84
85	D0-07622001	GRM188B11E104KA01D	1	5/P																		C85
86	D0-07622001	GRM188B11E104KA01D	1	5/P																		C86
87	D0-16829001	MV10VC100MF60E0	1	5/P																		C87
88	D0-07622001	GRM188B11E104KA01D	1	5/P																		C88
89	D0-07492001	GRM1882C1H331JA01D	1	5/P																		C89
90	D0-04102001	GRM1882C1H101JA01D	1	10/P																		C90
91	D0-07492001	GRM1882C1H331JA01D	1	5/P																		C91
92	D0-04102001	GRM1882C1H101JA01D	1	10/P																		C92
93	D0-04102001	GRM1882C1H101JA01D	1	10/P																		C93
94	D0-04102001	GRM1882C1H101JA01D	1	10/P																		C94
95	D0-04102001	GRM1882C1H101JA01D	1	10/P																		C95
96	D0-04102001	GRM1882C1H101JA01D	1	10/P																		C96
97	D0-04102001	GRM1882C1H101JA01D	1	10/P																		C97
98	D0-04102001	GRM1882C1H101JA01D	1	10/P																		C98
99	D0-04102001	GRM1882C1H101JA01D	1	10/P																		C99
100	D0-07622001	GRM188B11E104KA01D	1	5/P																		C100
101	D0-16812001	MV16VC10MD55E0	1	5/P																		C101
102	D0-07622001	GRM188B11E104KA01D	1	5/P																		C102
103	D0-16829001	MV10VC100MF60E0	1	5/P																		C103
104	D0-07622001	GRM188B11E104KA01D	1	5/P																		C104
105	D0-07622001	GRM188B11E104KA01D	1	5/P																		C105
106	D0-16829001	MV10VC100MF60E0	1	5/P																		C106
107	D0-07622001	GRM188B11E104KA01D	1	5/P																		C107
108	D0-07622001	GRM188B11E104KA01D	1	5/P																		C108

109	D0-05723001	GRM21BF11C105ZA01L	1	10/P															C109
110	D0-16824001	MV6.3VC220MH63E0	1	5/P															C110
111	D0-04102001	GRM1882C1H101JA01D	1	10/P															C111
112	D0-07622001	GRM188B11E104KA01D	1	5/P															C112
113	D0-07622001	GRM188B11E104KA01D	1	5/P															C113
114	D0-07622001	GRM188B11E104KA01D	1	5/P															C114
115	D0-16829001	MV10VC100MF60E0	1	5/P															C115
117	D0-16829001	MV10VC100MF60E0	1	5/P															C117
118	D0-16835001	MV25VC100MH63E0	1	5/P															C118
119	D0-07622001	GRM188B11E104KA01D	1	5/P															C119
120	D0-07622001	GRM188B11E104KA01D	1	5/P															C120
121	D0-04102001	GRM1882C1H101JA01D	1	10/P															C121
122	D0-04102001	GRM1882C1H101JA01D	1	10/P															C122
123	D0-04102001	GRM1882C1H101JA01D	1	10/P															C123
124	D0-04102001	GRM1882C1H101JA01D	1	10/P															C124
125	D0-04102001	GRM1882C1H101JA01D	1	10/P															C125
126	D0-04102001	GRM1882C1H101JA01D	1	10/P															C126
127	D0-04102001	GRM1882C1H101JA01D	1	10/P															C127
128	D0-04102001	GRM1882C1H101JA01D	1	10/P															C128
129	D0-04102001	GRM1882C1H101JA01D	1	10/P															C129
130	D0-16829001	MV10VC100MF60E0	1	5/P															C130
131	D0-05723001	GRM21BF11C105ZA01L	1	10/P															C131
132	D0-07622001	GRM188B11E104KA01D	1	5/P															C132
133	D0-16824001	MV6.3VC220MH63E0	1	5/P															C133
134	D0-16829001	MV10VC100MF60E0	1	5/P															C134
135	D0-16835001	MV25VC100MH63E0	1	5/P															C135











395	D0-07622001	GRM188B11E104KA01D	1	5/P														C395
397	D0-04101001	GRM188B11H102KA01D	1	10/P														C397
398	D0-07622001	GRM188B11E104KA01D	1	5/P														C398
399	D0-07622001	GRM188B11E104KA01D	1	5/P														C399
400	D0-07622001	GRM188B11E104KA01D	1	5/P														C400
401	D0-04085001	GRM1882C1H100JZ01D	1	10/P														C401
402	D0-04101001	GRM188B11H102KA01D	1	10/P														C402
403	D0-07622001	GRM188B11E104KA01D	1	5/P														C403
404	D0-04093001	GRM1882C1H220JZ01D	1	10/P														C404
405	D0-07622001	GRM188B11E104KA01D	1	5/P														C405
406	D0-07622001	GRM188B11E104KA01D	1	5/P														C406
407	D0-07622001	GRM188B11E104KA01D	1	5/P														C407
408	D0-07622001	GRM188B11E104KA01D	1	5/P														C408
409	D0-07622001	GRM188B11E104KA01D	1	5/P														C409
410	D0-07622001	GRM188B11E104KA01D	1	5/P														C410
411	D0-07622001	GRM188B11E104KA01D	1	5/P														C411
412	D0-07622001	GRM188B11E104KA01D	1	5/P														C412
413	D0-07622001	GRM188B11E104KA01D	1	5/P													To: 413-1	C413
413-1	D0-07622001	GRM188B11E104KA01D	0	5/P							B - J	G04L668	From: 413					C413
414	D0-07622001	GRM188B11E104KA01D	1	5/P														C414
415	D0-07622001	GRM188B11E104KA01D	1	5/P														C415
416	D0-07622001	GRM188B11E104KA01D	1	5/P														C416
417	D0-07622001	GRM188B11E104KA01D	1	5/P														C417
418	D0-07622001	GRM188B11E104KA01D	1	5/P														C418
419	D0-04091001	GRM1882C1H330JZ01D	1	10/P														C419
420	D0-04091001	GRM1882C1H330JZ01D	1	10/P														C420



447	D0-07622001	GRM188B11E104KA01D	1	5/P								C447
448	D0-07622001	GRM188B11E104KA01D	1	5/P								C448
449	D0-07622001	GRM188B11E104KA01D	1	5/P								C449
450	D0-04091001	GRM1882C1H330JZ01D	1	10/P								C450
451	D0-07622001	GRM188B11E104KA01D	1	5/P								C451
452	D0-07622001	GRM188B11E104KA01D	1	5/P								C452
453	D0-04091001	GRM1882C1H330JZ01D	1	10/P								C453
454	D0-07622001	GRM188B11E104KA01D	1	5/P								C454
455	D0-07622001	GRM188B11E104KA01D	1	5/P								C455
456	D0-07622001	GRM188B11E104KA01D	1	5/P								C456
457	D0-04102001	GRM1882C1H101JA01D	1	10/P								C457
458	D0-07622001	GRM188B11E104KA01D	1	5/P								C458
459	D0-07622001	GRM188B11E104KA01D	1	5/P								C459
460	D0-07622001	GRM188B11E104KA01D	1	5/P								C460
461	D0-04091001	GRM1882C1H330JZ01D	1	10/P								C461
462	D0-04101001	GRM188B11H102KA01D	1	10/P								C462
463	D0-07622001	GRM188B11E104KA01D	1	5/P								C463
464	D0-07622001	GRM188B11E104KA01D	1	5/P								C464
465	D0-07622001	GRM188B11E104KA01D	1	5/P							To: 465-1	C465
465-1	D0-07622001	GRM188B11E104KA01D	0	5/P			B - J	G04L668		From: 465		C465
466	D0-07622001	GRM188B11E104KA01D	1	5/P								C466
467	D0-09434001	GRM188B11E683KA01D	1	5/P								C467
468	D0-07622001	GRM188B11E104KA01D	1	5/P								C468
469	D0-07622001	GRM188B11E104KA01D	1	5/P								C469
470	D0-07622001	GRM188B11E104KA01D	1	5/P								C470
471	D0-07622001	GRM188B11E104KA01D	1	5/P								C471







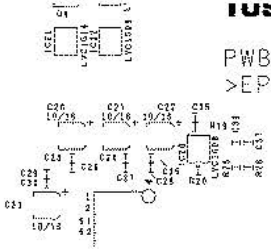
**TOSHIBA**

PWB-F-SYS-371

>EP-(GW+MD)

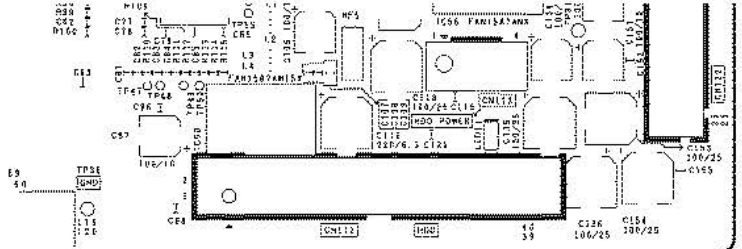
FR (30+40+60) <

TP1  
GND



MINI1

PCI





Model:

Page:

Issue  
Date:

Item No.	Parts No.	Parts Name	QTY / Unit	QTY / Pack	Part remarks	Catg.	Serial No.	P	I	R	BSI No.	Change	PC Board
5	D0-00981001	MCR03EZHJ220	1	10/P									R5
6	D0-00981001	MCR03EZHJ220	1	10/P									R6
7	D0-00981001	MCR03EZHJ220	1	10/P									R7
8	D0-00981001	MCR03EZHJ220	1	10/P									R8
9	D0-00952001	MCR03EZHJ102	1	10/P									R9
10	D0-00953001	MCR03EZHJ103	1	10/P									R10
11	D0-00953001	MCR03EZHJ103	1	10/P									R11
12	D0-00952001	MCR03EZHJ102	1	10/P									R12
13	D0-00953001	MCR03EZHJ103	1	10/P									R13
14	D0-00952001	MCR03EZHJ102	1	10/P									R14
15	D0-00949001	MCR03EZHJ000	1	10/P									R15
16	D0-01002001	MCR03EZHJ330	1	10/P									R16
17	D0-01018001	MCR03EZHJ470	1	10/P									R17
18	D0-01018001	MCR03EZHJ470	1	10/P									R18
19	D0-00953001	MCR03EZHJ103	1	10/P									R19
20	D0-00953001	MCR03EZHJ103	1	10/P									R20
25	D0-00950001	MCR03EZHJ100	1	10/P									R25
26	D0-00950001	MCR03EZHJ100	1	10/P									R26
36	D0-00981001	MCR03EZHJ220	1	10/P									R36
37	D0-01020001	MCR03EZHJ472	1	10/P									R37
38	D0-01018001	MCR03EZHJ470	1	10/P									R38
39	D0-01018001	MCR03EZHJ470	1	10/P									R39
40	D0-01018001	MCR03EZHJ470	1	10/P									R40

41	D0-01018001	MCR03EZHJ470	1	10/P																		R41	
42	D0-01020001	MCR03EZHJ472	1	10/P																			R42
43	D0-01020001	MCR03EZHJ472	1	10/P																			R43
44	D0-01020001	MCR03EZHJ472	1	10/P																			R44
45	D0-01020001	MCR03EZHJ472	1	10/P																			R45
46	D0-00950001	MCR03EZHJ100	1	10/P																			R46
47	D0-00981001	MCR03EZHJ220	1	10/P																			R47
48	D0-00950001	MCR03EZHJ100	1	10/P																			R48
49	D0-01020001	MCR03EZHJ472	1	10/P																			R49
50	D0-01020001	MCR03EZHJ472	1	10/P																			R50
51	D0-01002001	MCR03EZHJ330	1	10/P																			R51
52	D0-01018001	MCR03EZHJ470	1	10/P																			R52
53	D0-01018001	MCR03EZHJ470	1	10/P																			R53
54	D0-01018001	MCR03EZHJ470	1	10/P																			R54
55	D0-00950001	MCR03EZHJ100	1	10/P																			R55
56	D0-01002001	MCR03EZHJ330	1	10/P																			R56
57	D0-01002001	MCR03EZHJ330	1	10/P																			R57
58	D0-01002001	MCR03EZHJ330	1	10/P																			R58
59	D0-01002001	MCR03EZHJ330	1	10/P																			R59
60	D0-00952001	MCR03EZHJ102	1	10/P																			R60
61	D0-01002001	MCR03EZHJ330	1	10/P																			R61
62	D0-00953001	MCR03EZHJ103	1	10/P																			R62
63	D0-01002001	MCR03EZHJ330	1	10/P																			R63
64	D0-01002001	MCR03EZHJ330	1	10/P																			R64
65	D0-01002001	MCR03EZHJ330	1	10/P																			R65
66	D0-01002001	MCR03EZHJ330	1	10/P																			R66

67	D0-01002001	MCR03EZHJ330	1	10/P																R67	
69	D0-00981001	MCR03EZHJ220	1	10/P																	R69
70	D0-01002001	MCR03EZHJ330	1	10/P																	R70
72	D0-00953001	MCR03EZHJ103	1	10/P																	R72
74	D0-01002001	MCR03EZHJ330	1	10/P																	R74
79	D0-00953001	MCR03EZHJ103	1	10/P																	R79
80	D0-00953001	MCR03EZHJ103	1	10/P																	R80
81	D0-01002001	MCR03EZHJ330	1	10/P																	R81
82	D0-01002001	MCR03EZHJ330	1	10/P																	R82
83	D0-01002001	MCR03EZHJ330	1	10/P																	R83
84	D0-01002001	MCR03EZHJ330	1	10/P																	R84
85	D0-00953001	MCR03EZHJ103	1	10/P																	R85
86	D0-00953001	MCR03EZHJ103	1	10/P																	R86
87	D0-01002001	MCR03EZHJ330	1	10/P																	R87
88	D0-00953001	MCR03EZHJ103	1	10/P																	R88
89	D0-01002001	MCR03EZHJ330	1	10/P																	R89
90	D0-01020001	MCR03EZHJ472	1	10/P																	R90
91	D0-01020001	MCR03EZHJ472	1	10/P																	R91
92	D0-01002001	MCR03EZHJ330	1	10/P																	R92
93	D0-01002001	MCR03EZHJ330	1	10/P																	R93
94	D0-01002001	MCR03EZHJ330	1	10/P																	R94
95	D0-01002001	MCR03EZHJ330	1	10/P																	R95
96	D0-01002001	MCR03EZHJ330	1	10/P																	R96
97	D0-00950001	MCR03EZHJ100	1	10/P																	R97
98	D0-00953001	MCR03EZHJ103	1	10/P																	R98
99	D0-00953001	MCR03EZHJ103	1	10/P																	R99

100	D0-00953001	MCR03EZHJ103	1	10/P																R100	
101	D0-00963001	MCR03EZHJ124	1	5/P																	R101
102	D0-01047001	MCR03EZHJ823	1	5/P																	R102
103	D0-00953001	MCR03EZHJ103	1	10/P																	R103
104	D0-01002001	MCR03EZHJ330	1	10/P																	R104
107	D0-00951001	MCR03EZHJ101	1	10/P																	R107
108	D0-00951001	MCR03EZHJ101	1	10/P																	R108
110	D0-00953001	MCR03EZHJ103	1	10/P																	R110
112	D0-00953001	MCR03EZHJ103	1	10/P																	R112
113	D0-01020001	MCR03EZHJ472	1	10/P																	R113
114	D0-01020001	MCR03EZHJ472	1	10/P																	R114
115	D0-01020001	MCR03EZHJ472	1	10/P																	R115
116	D0-00953001	MCR03EZHJ103	1	10/P																	R116
117	D0-00951001	MCR03EZHJ101	1	10/P																	R117
119	D0-00949001	MCR03EZHJ000	1	10/P																	R119
120	D0-01004001	MCR03EZHJ332	1	10/P																	R120
121	D0-00953001	MCR03EZHJ103	1	10/P																	R121
122	D0-01020001	MCR03EZHJ472	1	10/P																	R122
123	D0-01020001	MCR03EZHJ472	1	10/P																	R123
124	D0-01020001	MCR03EZHJ472	1	10/P																	R124
125	D0-01020001	MCR03EZHJ472	1	10/P																	R125
126	D0-01020001	MCR03EZHJ472	1	10/P																	R126
127	D0-01020001	MCR03EZHJ472	1	10/P																	R127
128	D0-01020001	MCR03EZHJ472	1	10/P																	R128
129	D0-01002001	MCR03EZHJ330	1	10/P																	R129
130	D0-01020001	MCR03EZHJ472	1	10/P																	R130





328	D0-01020001	MCR03EZHJ472	1	10/P																R328	
329	D0-01020001	MCR03EZHJ472	1	10/P																	R329
330	D0-01020001	MCR03EZHJ472	1	10/P																	R330
331	D0-01020001	MCR03EZHJ472	1	10/P																	R331
332	D0-01020001	MCR03EZHJ472	1	10/P																	R332
335	D0-00953001	MCR03EZHJ103	1	10/P																	R335
336	D0-00981001	MCR03EZHJ220	1	10/P																	R336
337	D0-00981001	MCR03EZHJ220	1	10/P																	R337
338	D0-01020001	MCR03EZHJ472	1	10/P																	R338
339	D0-01020001	MCR03EZHJ472	1	10/P																	R339
340	D0-00951001	MCR03EZHJ101	1	10/P																	R340
341	D0-00951001	MCR03EZHJ101	1	10/P																	R341
342	D0-00981001	MCR03EZHJ220	1	10/P																	R342
343	D0-00981001	MCR03EZHJ220	1	10/P																	R343
344	D0-01020001	MCR03EZHJ472	1	10/P																	R344
345	D0-01020001	MCR03EZHJ472	1	10/P																	R345
346	D0-01020001	MCR03EZHJ472	1	10/P																	R346
347	D0-01020001	MCR03EZHJ472	1	10/P																	R347
348	D0-01019001	MCR03EZHJ471	1	5/P																	R348
349	D0-01002001	MCR03EZHJ330	1	10/P																	R349
350	D0-01002001	MCR03EZHJ330	1	10/P																	R350
352	D0-00981001	MCR03EZHJ220	1	10/P																	R352
353	D0-00951001	MCR03EZHJ101	1	10/P																	R353
354	D0-01020001	MCR03EZHJ472	1	10/P																	R354
355	D0-01020001	MCR03EZHJ472	1	10/P																	R355
356	D0-01020001	MCR03EZHJ472	1	10/P																	R356

357	D0-01020001	MCR03EZHJ472	1	10/P															R357
358	D0-01020001	MCR03EZHJ472	1	10/P															R358
359	D0-01020001	MCR03EZHJ472	1	10/P															R359
360	D0-01020001	MCR03EZHJ472	1	10/P															R360
361	D0-01020001	MCR03EZHJ472	1	10/P															R361
362	D0-01002001	MCR03EZHJ330	1	10/P															R362
363	D0-01002001	MCR03EZHJ330	1	10/P															R363
364	D0-00953001	MCR03EZHJ103	1	10/P															R364
365	D0-00953001	MCR03EZHJ103	1	10/P															R365
366	D0-00953001	MCR03EZHJ103	1	10/P															R366
367	D0-01002001	MCR03EZHJ330	1	10/P															R367
368	D0-00953001	MCR03EZHJ103	1	10/P															R368
369	D0-01020001	MCR03EZHJ472	1	10/P															R369
370	D0-01020001	MCR03EZHJ472	1	10/P															R370
371	D0-01020001	MCR03EZHJ472	1	10/P															R371
372	D0-01020001	MCR03EZHJ472	1	10/P															R372
373	D0-01020001	MCR03EZHJ472	1	10/P															R373
374	D0-01020001	MCR03EZHJ472	1	10/P															R374
375	D0-01020001	MCR03EZHJ472	1	10/P															R375
376	D0-01020001	MCR03EZHJ472	1	10/P															R376
377	D0-01002001	MCR03EZHJ330	1	10/P															R377
378	D0-00953001	MCR03EZHJ103	1	10/P															R378
379	D0-00981001	MCR03EZHJ220	1	10/P															R379
380	D0-01018001	MCR03EZHJ470	1	10/P															R380
381	D0-01018001	MCR03EZHJ470	1	10/P															R381
385	D0-01044001	MCR03EZHJ820	1	10/P															R385



386	D0-00952001	MCR03EZHJ102	1	10/P																			R386	
387	D0-00952001	MCR03EZHJ102	1	10/P																				R387
388	D0-00952001	MCR03EZHJ102	1	10/P																				R388
389	D0-00952001	MCR03EZHJ102	1	10/P																				R389
390	D0-00952001	MCR03EZHJ102	1	10/P																				R390
391	D0-00952001	MCR03EZHJ102	1	10/P																				R391
392	D0-00952001	MCR03EZHJ102	1	10/P																				R392
393	D0-00952001	MCR03EZHJ102	1	10/P																				R393
394	D0-00952001	MCR03EZHJ102	1	10/P																				R394
395	D0-00952001	MCR03EZHJ102	1	10/P																				R395
396	D0-00953001	MCR03EZHJ103	1	10/P																				R396
398	D0-00981001	MCR03EZHJ220	1	10/P																				R398
399	D0-00981001	MCR03EZHJ220	1	10/P																				R399
400	D0-00981001	MCR03EZHJ220	1	10/P																				R400
401	D0-00981001	MCR03EZHJ220	1	10/P																				R401
402	D0-00952001	MCR03EZHJ102	1	10/P																				R402
403	D0-00953001	MCR03EZHJ103	1	10/P																				R403
404	D0-01020001	MCR03EZHJ472	1	10/P																				R404
405	D0-00953001	MCR03EZHJ103	1	10/P																				R405
406	D0-01020001	MCR03EZHJ472	1	10/P																				R406
407	D0-00952001	MCR03EZHJ102	1	10/P																				R407
408	D0-01020001	MCR03EZHJ472	1	10/P																				R408
409	D0-01020001	MCR03EZHJ472	1	10/P																				R409
410	D0-01020001	MCR03EZHJ472	1	10/P																				R410
411	D0-01018001	MCR03EZHJ470	1	10/P																				R411
412	D0-01018001	MCR03EZHJ470	1	10/P																				R412

413	D0-01002001	MCR03EZHZ330	1	10/P														R413
414	D0-00981001	MCR03EZHZ220	1	10/P														R414
415	D0-01002001	MCR03EZHZ330	1	10/P														R415
416	D0-00981001	MCR03EZHZ220	1	10/P														R416
417	D0-01002001	MCR03EZHZ330	1	10/P														R417
418	D0-01002001	MCR03EZHZ330	1	10/P														R418
419	D0-01002001	MCR03EZHZ330	1	10/P														R419
420	D0-01018001	MCR03EZHZ470	1	10/P														R420
421	D0-01018001	MCR03EZHZ470	1	10/P														R421
422	D0-00953001	MCR03EZHZ103	1	10/P														R422
423	D0-00954001	MCR03EZHZ104	1	10/P														R423
424	D0-00981001	MCR03EZHZ220	1	10/P														R424
425	D0-00952001	MCR03EZHZ102	1	10/P														R425
426	D0-01044001	MCR03EZHZ820	1	10/P														R426
427	D0-00981001	MCR03EZHZ220	1	10/P														R427
428	D0-00981001	MCR03EZHZ220	1	10/P														R428
429	D0-01031001	MCR03EZHZ562	1	5/P														R429
430	D0-01044001	MCR03EZHZ820	1	10/P														R430
431	D0-00949001	MCR03EZHZ000	1	10/P														R431
432	D0-00952001	MCR03EZHZ102	1	10/P														R432
433	D0-01020001	MCR03EZHZ472	1	10/P														R433
434	D0-01020001	MCR03EZHZ472	1	10/P														R434
435	D0-00951001	MCR03EZHZ101	1	10/P														R435
436	D0-00953001	MCR03EZHZ103	1	10/P														R436
437	D0-00953001	MCR03EZHZ103	1	10/P														R437
438	D0-01020001	MCR03EZHZ472	1	10/P														R438

439	D0-01020001	MCR03EZHJ472	1	10/P															R439	
440	D0-01020001	MCR03EZHJ472	1	10/P																R440
441	D0-01020001	MCR03EZHJ472	1	10/P																R441
442	D0-01020001	MCR03EZHJ472	1	10/P																R442
443	D0-01020001	MCR03EZHJ472	1	10/P																R443
444	D0-01020001	MCR03EZHJ472	1	10/P																R444
445	D0-01020001	MCR03EZHJ472	1	10/P																R445
446	D0-00951001	MCR03EZHJ101	1	10/P																R446
447	D0-00951001	MCR03EZHJ101	1	10/P																R447
449	D0-01020001	MCR03EZHJ472	1	10/P																R449
450	D0-01020001	MCR03EZHJ472	1	10/P																R450
452	D0-01020001	MCR03EZHJ472	1	10/P																R452
453	D0-00981001	MCR03EZHJ220	1	10/P																R453
454	D0-00952001	MCR03EZHJ102	1	10/P																R454
455	D0-00953001	MCR03EZHJ103	1	10/P																R455
456	D0-00950001	MCR03EZHJ100	1	10/P																R456
457	D0-01020001	MCR03EZHJ472	1	10/P																R457
458	D0-01020001	MCR03EZHJ472	1	10/P																R458
459	D0-00600001	MCR25JZHJ2R2	1	5/P																R459
460	D0-01020001	MCR03EZHJ472	1	10/P																R460
461	D0-01020001	MCR03EZHJ472	1	10/P																R461
462	D0-01020001	MCR03EZHJ472	1	10/P																R462
463	D0-01020001	MCR03EZHJ472	1	10/P																R463
464	D0-01020001	MCR03EZHJ472	1	10/P																R464
465	D0-01020001	MCR03EZHJ472	1	10/P																R465
466	D0-01020001	MCR03EZHJ472	1	10/P																R466

467	D0-01020001	MCR03EZHJ472	1	10/P															R467
468	D0-00954001	MCR03EZHJ104	1	10/P															R468
469	D0-00953001	MCR03EZHJ103	1	10/P															R469
470	D0-00600001	MCR25JZHJ2R2	1	5/P															R470
471	D0-00600001	MCR25JZHJ2R2	1	5/P															R471
472	D0-00600001	MCR25JZHJ2R2	1	5/P															R472
473	D0-00600001	MCR25JZHJ2R2	1	5/P															R473
475	D0-00951001	MCR03EZHJ101	1	10/P															R475
476	D0-00951001	MCR03EZHJ101	1	10/P															R476
479	D0-00951001	MCR03EZHJ101	1	10/P															R479
480	D0-00953001	MCR03EZHJ103	1	10/P															R480
481	D0-01020001	MCR03EZHJ472	1	10/P															R481
482	D0-00953001	MCR03EZHJ103	1	10/P															R482
484	D0-00953001	MCR03EZHJ103	1	10/P															R484
485	D0-01020001	MCR03EZHJ472	1	10/P															R485
486	D0-00953001	MCR03EZHJ103	1	10/P															R486
487	D0-01020001	MCR03EZHJ472	1	10/P															R487
488	D0-01020001	MCR03EZHJ472	1	10/P															R488
489	D0-01020001	MCR03EZHJ472	1	10/P															R489
491	D0-01020001	MCR03EZHJ472	1	10/P															R491
498	D0-00953001	MCR03EZHJ103	1	10/P															R498
499	D0-00953001	MCR03EZHJ103	1	10/P															R499
500	D0-00993001	MCR03EZHJ272	1	5/P															R500
501	D0-01020001	MCR03EZHJ472	1	10/P															R501
502	D0-01020001	MCR03EZHJ472	1	10/P															R502
503	D0-01020001	MCR03EZHJ472	1	10/P															R503

504	D0-01020001	MCR03EZHJ472	1	10/P										R504
505	D0-01020001	MCR03EZHJ472	1	10/P										R505
506	D0-01002001	MCR03EZHJ330	1	10/P										R506
507	D0-00953001	MCR03EZHJ103	1	10/P										R507
508	D0-00953001	MCR03EZHJ103	1	10/P										R508
509	D0-01020001	MCR03EZHJ472	1	10/P										R509
512	D0-01020001	MCR03EZHJ472	1	10/P										R512
514	D0-00953001	MCR03EZHJ103	1	10/P										R514
515	D0-00953001	MCR03EZHJ103	1	10/P										R515
516	D0-00953001	MCR03EZHJ103	1	10/P										R516
517	D0-01002001	MCR03EZHJ330	1	10/P										R517
518	D0-01002001	MCR03EZHJ330	1	10/P										R518
519	D0-00953001	MCR03EZHJ103	1	10/P										R519
520	D0-00952001	MCR03EZHJ102	1	10/P										R520
521	D0-00953001	MCR03EZHJ103	1	10/P										R521
522	D0-01031001	MCR03EZHJ562	1	5/P										R522
523	D0-01020001	MCR03EZHJ472	1	10/P										R523
524	D0-00981001	MCR03EZHJ220	1	10/P										R524
525	D0-00981001	MCR03EZHJ220	1	10/P										R525
526	D0-00981001	MCR03EZHJ220	1	10/P										R526
527	D0-00953001	MCR03EZHJ103	1	10/P										R527
528	D0-00953001	MCR03EZHJ103	1	10/P										R528
529	D0-19410001	MCR03EZHJ472	1	5/P						A - J	G04L668			R529
530	D0-01020001	MCR03EZHJ472	1	10/P										R530
532	D0-01020001	MCR03EZHJ472	1	10/P										R532
533	D0-01020001	MCR03EZHJ472	1	10/P										R533

536	D0-01020001	MCR03EZHJ472	1	10/P																R536	
537	D0-01020001	MCR03EZHJ472	1	10/P																	R537
540	D0-00953001	MCR03EZHJ103	1	10/P																	R540
541	D0-00953001	MCR03EZHJ103	1	10/P																	R541
542	D0-00600001	MCR25JZHJ2R2	1	5/P																	R542
543	D0-00600001	MCR25JZHJ2R2	1	5/P																	R543
544	D0-01020001	MCR03EZHJ472	1	10/P																	R544
545	D0-01002001	MCR03EZHJ330	1	10/P																	R545
546	D0-00953001	MCR03EZHJ103	1	10/P																	R546
547	D0-01002001	MCR03EZHJ330	1	10/P																	R547
548	D0-01002001	MCR03EZHJ330	1	10/P																	R548
549	D0-01002001	MCR03EZHJ330	1	10/P																	R549
550	D0-01002001	MCR03EZHJ330	1	10/P																	R550
551	D0-01002001	MCR03EZHJ330	1	10/P																	R551
552	D0-01002001	MCR03EZHJ330	1	10/P																	R552
553	D0-00953001	MCR03EZHJ103	1	10/P																	R553
554	D0-01002001	MCR03EZHJ330	1	10/P																	R554
555	D0-00953001	MCR03EZHJ103	1	10/P																	R555
556	D0-01002001	MCR03EZHJ330	1	10/P																	R556
557	D0-00993001	MCR03EZHJ272	1	5/P																	R557
558	D0-00993001	MCR03EZHJ272	1	5/P																	R558
559	D0-00993001	MCR03EZHJ272	1	5/P																	R559
560	D0-01002001	MCR03EZHJ330	1	10/P																	R560
561	D0-01002001	MCR03EZHJ330	1	10/P																	R561
562	D0-00981001	MCR03EZHJ220	1	10/P																	R562
563	D0-01002001	MCR03EZHJ330	1	10/P																	R563

564	D0-00993001	MCR03EZHZ272	1	5/P																R564
565	D0-01002001	MCR03EZHZ330	1	10/P																R565
566	D0-00953001	MCR03EZHZ103	1	10/P																R566
567	D0-00952001	MCR03EZHZ102	1	10/P																R567
568	D0-00952001	MCR03EZHZ102	1	10/P																R568
569	D0-00953001	MCR03EZHZ103	1	10/P																R569
570	D0-01002001	MCR03EZHZ330	1	10/P																R570
571	D0-00953001	MCR03EZHZ103	1	10/P																R571
572	D0-00953001	MCR03EZHZ103	1	10/P																R572
573	D0-00953001	MCR03EZHZ103	1	10/P																R573
574	D0-00953001	MCR03EZHZ103	1	10/P																R574
575	D0-01002001	MCR03EZHZ330	1	10/P																R575
576	D0-01002001	MCR03EZHZ330	1	10/P																R576
577	D0-01002001	MCR03EZHZ330	1	10/P																R577
578	D0-01002001	MCR03EZHZ330	1	10/P																R578
579	D0-01002001	MCR03EZHZ330	1	10/P																R579
580	D0-01002001	MCR03EZHZ330	1	10/P																R580
581	D0-01002001	MCR03EZHZ330	1	10/P																R581
582	D0-01002001	MCR03EZHZ330	1	10/P																R582
583	D0-01002001	MCR03EZHZ330	1	10/P																R583
584	D0-01002001	MCR03EZHZ330	1	10/P																R584
585	D0-01002001	MCR03EZHZ330	1	10/P																R585
586	D0-01002001	MCR03EZHZ330	1	10/P																R586
587	D0-01002001	MCR03EZHZ330	1	10/P																R587
588	D0-01002001	MCR03EZHZ330	1	10/P																R588
589	D0-01002001	MCR03EZHZ330	1	10/P																R589

590	D0-01002001	MCR03EZHZ330	1	10/P															R590
591	D0-01002001	MCR03EZHZ330	1	10/P															R591
592	D0-01002001	MCR03EZHZ330	1	10/P															R592
593	D0-01002001	MCR03EZHZ330	1	10/P															R593
594	D0-01002001	MCR03EZHZ330	1	10/P															R594
595	D0-01002001	MCR03EZHZ330	1	10/P															R595
596	D0-01002001	MCR03EZHZ330	1	10/P															R596
597	D0-01002001	MCR03EZHZ330	1	10/P															R597
598	D0-01002001	MCR03EZHZ330	1	10/P															R598
599	D0-01002001	MCR03EZHZ330	1	10/P															R599
600	D0-01002001	MCR03EZHZ330	1	10/P															R600
601	D0-00981001	MCR03EZHZ220	1	10/P															R601
603	D0-00981001	MCR03EZHZ220	1	10/P															R603
604	D0-00600001	MCR25JZHZ2R2	1	5/P															R604
605	D0-00981001	MCR03EZHZ220	1	10/P															R605
606	D0-00981001	MCR03EZHZ220	1	10/P															R606
607	D0-00981001	MCR03EZHZ220	1	10/P															R607
608	D0-00981001	MCR03EZHZ220	1	10/P															R608
609	D0-00981001	MCR03EZHZ220	1	10/P															R609
610	D0-00993001	MCR03EZHZ272	1	5/P															R610
611	D0-00981001	MCR03EZHZ220	1	10/P															R611
612	D0-00993001	MCR03EZHZ272	1	5/P															R612
613	D0-00993001	MCR03EZHZ272	1	5/P															R613
614	D0-00981001	MCR03EZHZ220	1	10/P															R614
615	D0-00993001	MCR03EZHZ272	1	5/P															R615
616	D0-00993001	MCR03EZHZ272	1	5/P															R616

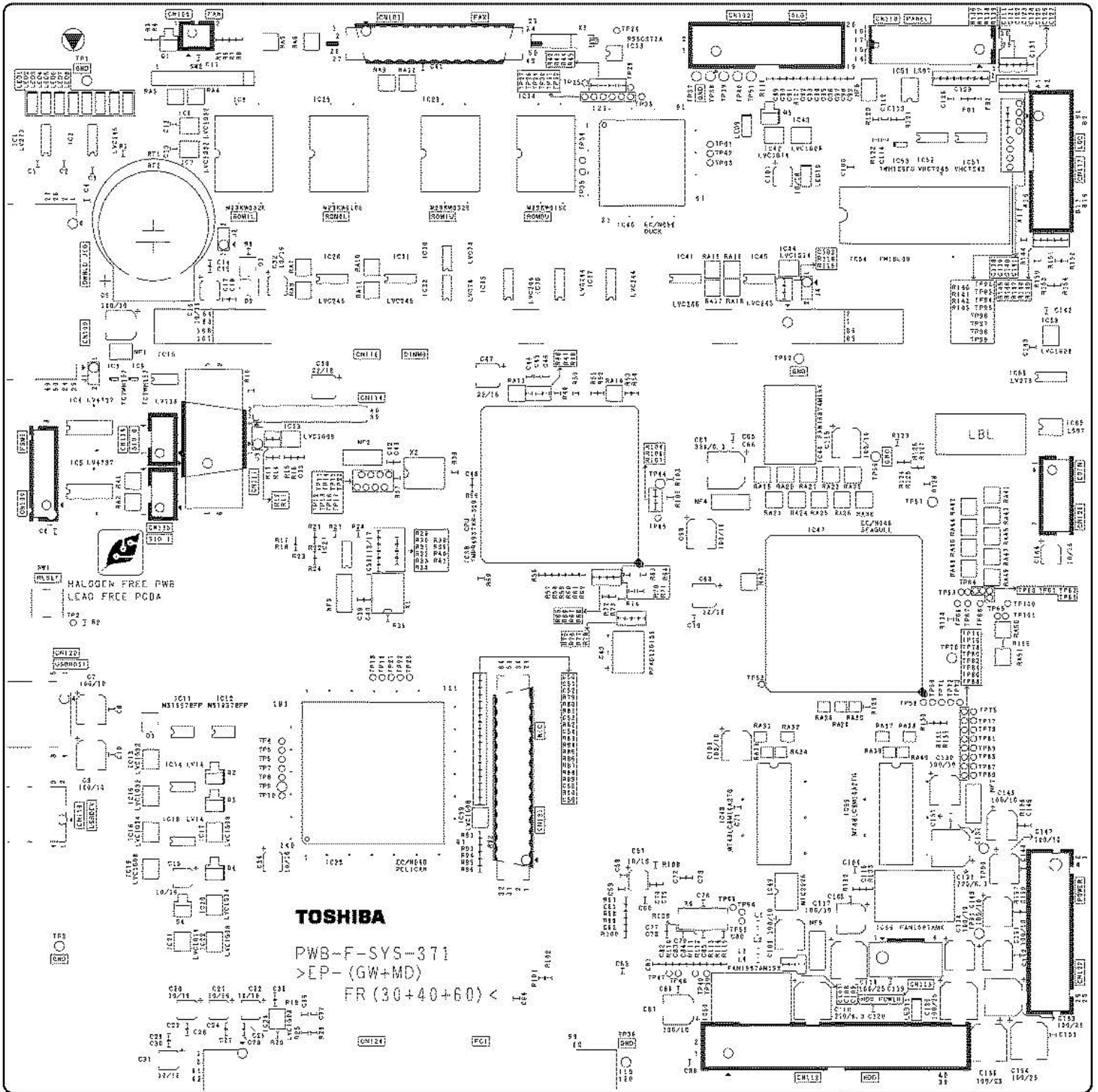


617	D0-00981001	MCR03EZHZJ220	1	10/P														R617
618	D0-00981001	MCR03EZHZJ220	1	10/P														R618
620	D0-00981001	MCR03EZHZJ220	1	10/P														R620
621	D0-19410001	MCR03EZHZJ472	1	5/P								A - J	G04L668					R621
622	D0-00600001	MCR25JZHZJ2R2	1	5/P														R622
623	D0-00981001	MCR03EZHZJ220	1	10/P														R623
626	D0-00981001	MCR03EZHZJ220	1	10/P														R626
627	D0-01020001	MCR03EZHZJ472	1	10/P														R627
628	D0-01020001	MCR03EZHZJ472	1	10/P														R628
629	D0-01020001	MCR03EZHZJ472	1	10/P														R629
630	D0-19410001	MCR03EZHZJ472	1	5/P								A - J	G04L668					R630
631	D0-00993001	MCR03EZHZJ272	1	5/P														R631
632	D0-00993001	MCR03EZHZJ272	1	5/P														R632
633	D0-00993001	MCR03EZHZJ272	1	5/P														R633
634	D0-00993001	MCR03EZHZJ272	1	5/P														R634
635	D0-00993001	MCR03EZHZJ272	1	5/P														R635
636	D0-00949001	MCR03EZHZJ000	1	10/P														R636
637	D0-01020001	MCR03EZHZJ472	1	10/P														R637
638	D0-01020001	MCR03EZHZJ472	1	10/P														R638
639	D0-01020001	MCR03EZHZJ472	1	10/P														R639
640	D0-01020001	MCR03EZHZJ472	1	10/P														R640
641	D0-01020001	MCR03EZHZJ472	1	10/P														R641
642	D0-01020001	MCR03EZHZJ472	1	10/P														R642
643	D0-01020001	MCR03EZHZJ472	1	10/P														R643
644	D0-01020001	MCR03EZHZJ472	1	10/P														R644
645	D0-01020001	MCR03EZHZJ472	1	10/P														R645

646	D0-01020001	MCR03EZHZ472	1	10/P															R646
647	D0-01020001	MCR03EZHZ472	1	10/P															R647
648	D0-01020001	MCR03EZHZ472	1	10/P															R648
649	D0-01020001	MCR03EZHZ472	1	10/P															R649
650	D0-00950001	MCR03EZHZ100	1	10/P															R650
651	D0-01027001	MCR03EZHZ512	1	10/P															R651
652	D0-00984001	MCR03EZHZ223	1	10/P															R652
653	D0-00949001	MCR03EZHZ000	1	10/P															R653
654	D0-00953001	MCR03EZHZ103	1	10/P															R654
655	D0-00951001	MCR03EZHZ101	1	10/P															R655
656	D0-01020001	MCR03EZHZ472	1	10/P															R656
657	D0-19410001	MCR03EZHZ472	1	5/P										A - J	G04L668				R657
664	D0-01002001	MCR03EZHZ330	1	10/P															R664
665	D0-01002001	MCR03EZHZ330	1	10/P															R665
666	D0-01134001	MCR03EZPF3901	1	5/P															R666
667	D0-01053001	MCR03EZPF1002	1	10/P															R667
668	D0-01149001	MCR03EZPF4701	1	5/P															R668
669	D0-01134001	MCR03EZPF3901	1	5/P															R669
670	D0-00953001	MCR03EZHZ103	1	10/P															R670
671	D0-00952001	MCR03EZHZ102	1	10/P															R671
672	D0-00952001	MCR03EZHZ102	1	10/P															R672
673	D0-00953001	MCR03EZHZ103	1	10/P															R673
674	D0-00952001	MCR03EZHZ102	1	10/P															R674
675	D0-00952001	MCR03EZHZ102	1	10/P															R675
676	D0-01020001	MCR03EZHZ472	1	10/P															R676
677	D0-01021001	MCR03EZHZ473	1	10/P															R677

678	D0-00952001	MCR03EZHJ102	1	10/P																R678
679	D0-01021001	MCR03EZHJ473	1	10/P																R679
680	D0-01020001	MCR03EZHJ472	1	10/P																R680
681	D0-00953001	MCR03EZHJ103	1	10/P																R681
682	D0-00953001	MCR03EZHJ103	1	10/P																R682
683	D0-01020001	MCR03EZHJ472	1	10/P																R683
684	D0-00952001	MCR03EZHJ102	1	10/P																R684
693	D0-00953001	MCR03EZHJ103	1	10/P																R693
694	D0-00981001	MCR03EZHJ220	1	10/P																R694
695	D0-00952001	MCR03EZHJ102	1	10/P																R695
696	D0-00949001	MCR03EZHJ000	1	10/P																R696
697	D0-00981001	MCR03EZHJ220	1	10/P																R697
698	D0-00967001	MCR03EZHJ153	1	5/P																R698
699	D0-01672001	MCR10EZHF30R0	1	5/P																R699
700	D0-01672001	MCR10EZHF30R0	1	5/P																R700
701	D0-00967001	MCR03EZHJ153	1	5/P																R701
702	D0-00967001	MCR03EZHJ153	1	5/P																R702
703	D0-01672001	MCR10EZHF30R0	1	5/P																R703
704	D0-01672001	MCR10EZHF30R0	1	5/P																R704
705	D0-00967001	MCR03EZHJ153	1	5/P																R705
706	D0-05827001	MCR03EZHJ360	1	5/P																R706
707	D0-05827001	MCR03EZHJ360	1	5/P																R707
708	D0-00966001	MCR03EZHJ152	1	10/P																R708
750	E0-06438000	DHB-PA50-R131N	1	5/P																CN100
751	E0-00068000	DHB-PB50-S13NN	1	5/P																CN101
752	E0-06559000	HU5-20OPNA-S53TD20	1	5/P																CN102



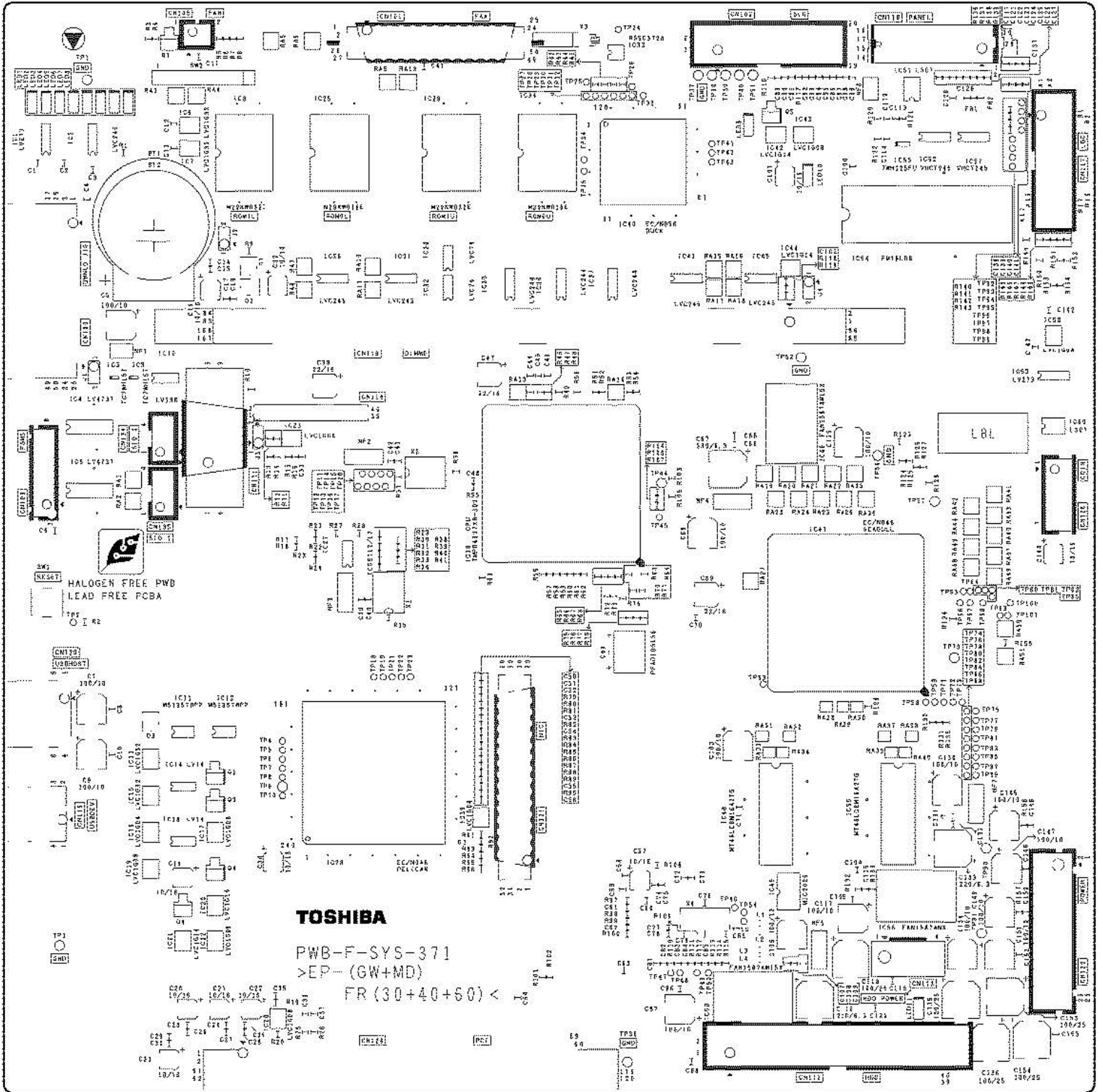


Model:

Page:

Issue  
Date:

Item No.	Parts No.	Parts Name	QTY / Unit	QTY / Pack	Part remarks	Catg.	Serial No.	P	I	R	BSI No.	Change	PC Board
1	D0-04445001	BLM18AG221SN1D	1	1/P									FB1
2	D0-04445001	BLM18AG221SN1D	1	1/P									FB2
301	D0-04445001	BLM18AG221SN1D	1	1/P									FB301
302	D0-04445001	BLM18AG221SN1D	1	1/P									FB302
303	D0-07755001	BLM18PG600SN1D	1	1/P								To: 303-1	FB303
303-1	D0-07755001	BLM18PG600SN1D	0	1/P				B	-	J	G04L668	From: 303	FB303
304	D0-07755001	BLM18PG600SN1D	1	1/P								To: 304-1	FB304
304-1	D0-07755001	BLM18PG600SN1D	0	1/P				B	-	J	G04L668	From: 304	FB304
351	D0-15881001	LQM21FN2R2N00D	1	5/P									L1
352	D0-15881001	LQM21FN2R2N00D	1	5/P									L2
353	D0-15881001	LQM21FN2R2N00D	1	5/P									L3
354	D0-15881001	LQM21FN2R2N00D	1	5/P									L4
651	D0-15881001	LQM21FN2R2N00D	1	5/P									L301
652	D0-15881001	LQM21FN2R2N00D	1	5/P									L302
653	D0-15881001	LQM21FN2R2N00D	1	5/P									L303
654	D0-15881001	LQM21FN2R2N00D	1	5/P									L304
655	D0-15881001	LQM21FN2R2N00D	1	5/P									L305
711	C0-00379001	SML-210MTT86	1	5/P									LED11
751	D0-05475001	NFE31PT222Z1E9L	1	5/P									NF1
752	D0-05478001	NFE61PT472C1H9L	1	5/P									NF2
754	D0-05478001	NFE61PT472C1H9L	1	5/P									NF4
755	D0-05478001	NFE61PT472C1H9L	1	5/P									NF5
756	D0-05475001	NFE31PT222Z1E9L	1	5/P									NF6







Model:

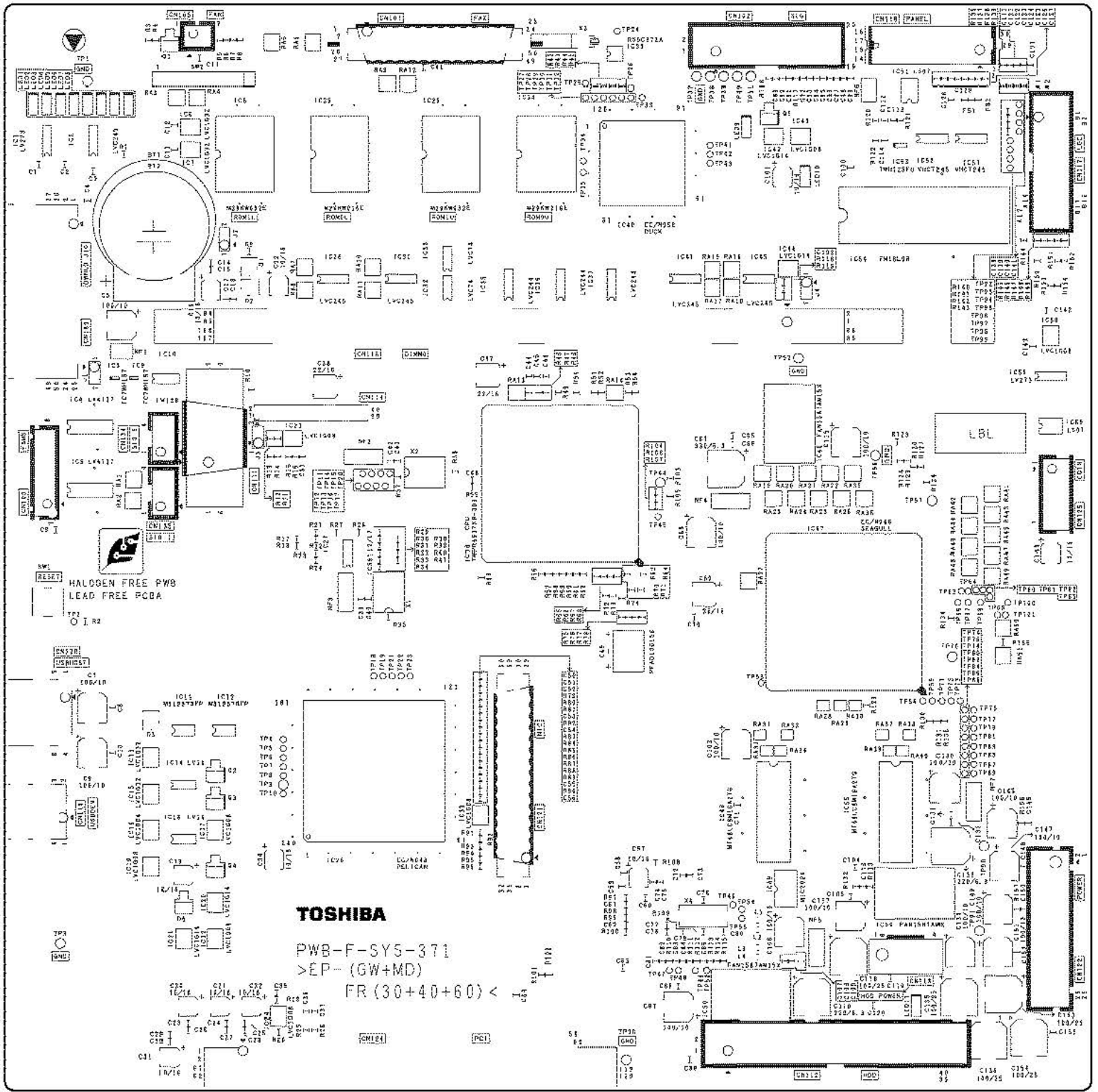
Page:

Issue  
Date:

Item No.	Parts No.	Parts Name	QTY / Unit	QTY / Pack	Part remarks	Catg.	Serial No.	P	I	R	BSI No.	Change	PC Board
2	D0-01201001	MNR14E0ABJ103	1	5/P									RA2
5	D0-05419001	MNR14E0ABJ220	1	5/P									RA5
6	D0-05419001	MNR14E0ABJ220	1	5/P									RA6
7	D0-01217001	MNR14E0ABJ472	1	5/P									RA7
8	D0-01217001	MNR14E0ABJ472	1	5/P									RA8
9	D0-01201001	MNR14E0ABJ103	1	5/P									RA9
10	D0-01217001	MNR14E0ABJ472	1	5/P									RA10
11	D0-01217001	MNR14E0ABJ472	1	5/P									RA11
12	D0-01201001	MNR14E0ABJ103	1	5/P									RA12
13	D0-01222001	MNR14E0ABJ680	1	5/P									RA13
14	D0-01222001	MNR14E0ABJ680	1	5/P									RA14
15	D0-01217001	MNR14E0ABJ472	1	5/P									RA15
16	D0-01217001	MNR14E0ABJ472	1	5/P									RA16
17	D0-01217001	MNR14E0ABJ472	1	5/P									RA17
18	D0-01217001	MNR14E0ABJ472	1	5/P									RA18
19	D0-01217001	MNR14E0ABJ472	1	5/P									RA19
20	D0-01217001	MNR14E0ABJ472	1	5/P									RA20
21	D0-01217001	MNR14E0ABJ472	1	5/P									RA21
22	D0-01217001	MNR14E0ABJ472	1	5/P									RA22
23	D0-01217001	MNR14E0ABJ472	1	5/P									RA23
24	D0-01217001	MNR14E0ABJ472	1	5/P									RA24
25	D0-01217001	MNR14E0ABJ472	1	5/P									RA25
26	D0-01217001	MNR14E0ABJ472	1	5/P									RA26







Model:

Page:

Issue  
Date:

Item No.	Parts No.	Parts Name	QTY / Unit	QTY / Pack	Part remarks	Catg.	Serial No.	P	I	R	BSI No.	Change	PC Board
0	6LA89808000	ASY-SLG-371S	1	1/SB								To: 0-1	
0-1	6LA81351000	ASY-SLG-371S	1	1/SB				C	B	J	G04L667	To: 0-2	
0-2	6LA81383000	ASY-SLG-371S	1	1/SB				C	E	J	G05E941	From: 0-1	
11	C0-05984001	AS7C1024A-15TCTR	1	5/S								To: 11-1	IC1
11-1	C0-08987001	CY7C109B-15ZCT	1	5/S				C	E	J	G05I338	From: 11	IC1
12	C0-06856000	HD49334F	1	5/S									IC2
13	C0-01937001	74VHC08MTCX	1	1/S									IC3
14	C0-01946001	74VHC32MTCX	1	1/S									IC4
15	C0-01990001	NC7SZ125M5X	1	1/S									IC5
16	C0-01941001	74VHC14MTCX	1	1/S									IC6
17	C0-02029000	MBM29F400TC-90PFTN	1	1/S									IC7
18	C0-02509001	SN7407DR	1	1/S									IC8
19	C0-06762000	EC-N062 TMP95C063FE	1	1/S									IC9
20	C0-06569001	74VHCT245AMTCX	1	5/S								To: 20-1	IC10
20-1	C0-09527001	74VHCT245AMTCX	1	5/P				C	E	J	G05D906	From: 20	IC10
21	C0-06856000	HD49334F	1	5/S									IC11
23	C0-06889001	74LCX541MTCX	1	5/S									IC13
24	C0-06889001	74LCX541MTCX	1	5/S									IC14
26	C0-06838000	STK672-071	1	5/S									IC16
27	C0-02019001	M51957BFP C61J	1	5/S									IC17
29	C0-02005001	PQ2TZ15U	1	1/S									IC19
31	C0-06444001	74VHCT08AMTCX	1	5/S									IC21
32	C0-01902001	LM358MX	1	5/S									IC22
34	C0-04597001	74VHC245MTCX	1	5/S									IC24
36	C0-04597001	74VHC245MTCX	1	5/S									IC26
41	C0-01951001	74VHCT244AMTCX	1	5/S									IC31
44	C0-01935001	74VHC04MTCX	1	1/S									IC34
45	C0-06999000	EC-N064 KS5M2U1748CBP	1	5/S									IC35
102	C0-00657001	RN1401(TE85R)	1	5/P									Q2
104	C0-00675001	RN2401(TE85L)	1	5/P									Q4
105	C0-00657001	RN1401(TE85R)	1	5/P									Q5
106	C0-00657001	RN1401(TE85R)	1	5/P									Q6
107	C0-00517002	2SA1213-Y(TE12R)	1	5/P									Q7
151	C0-00470001	1SS184(TE85L)	1	5/P									D1
152	C0-00470001	1SS184(TE85L)	1	5/P									D2
153	C0-00473001	1SS193(TE85R)	1	5/P									D3
201	C0-00426001	02CZ3.3-X(TE85R)	1	5/P									ZD1
251	D0-04100001	GRM188B11H103KA01D	1	10/P									C1
252	D0-04098001	GRM188F11E104ZA01D	1	10/P									C2

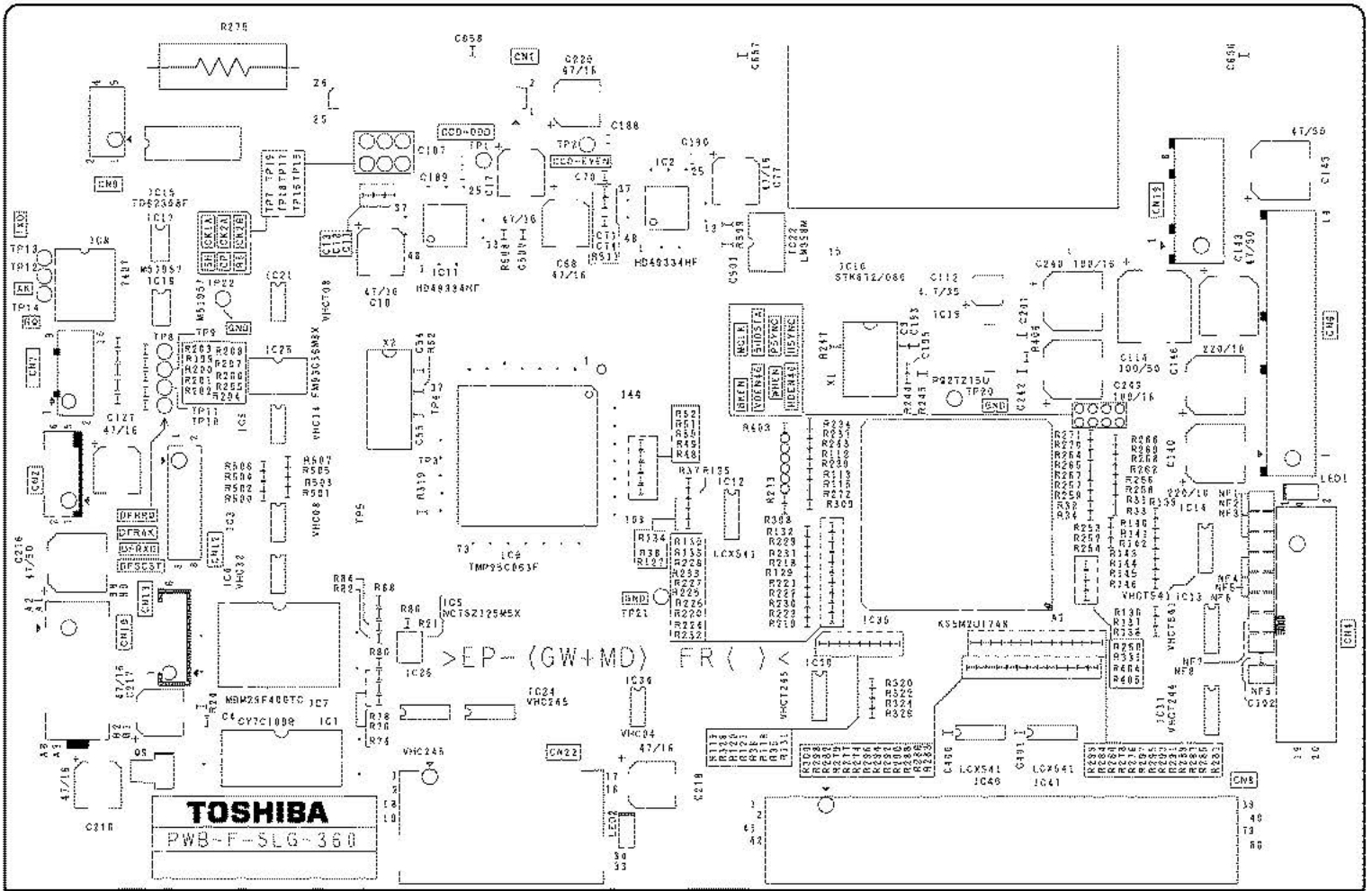












Model:

Page:

Issue  
Date:

Item No.	Parts No.	Parts Name	QTY / Unit	QTY / Pack	Part remarks	Catg.	Serial No.	P	I	R	BSI No.	Change	PC Board
1	D0-01020001	MCR03EZHJ472	1	10/P									R1
2	D0-01020001	MCR03EZHJ472	1	10/P									R2
3	D0-01020001	MCR03EZHJ472	1	10/P									R3
4	D0-01020001	MCR03EZHJ472	1	10/P									R4
5	D0-01020001	MCR03EZHJ472	1	10/P									R5
6	D0-01020001	MCR03EZHJ472	1	10/P									R6
7	D0-01020001	MCR03EZHJ472	1	10/P									R7
8	D0-01020001	MCR03EZHJ472	1	10/P									R8
9	D0-01020001	MCR03EZHJ472	1	10/P									R9
10	D0-01020001	MCR03EZHJ472	1	10/P									R10
11	D0-01020001	MCR03EZHJ472	1	10/P									R11
12	D0-01020001	MCR03EZHJ472	1	10/P									R12
13	D0-01020001	MCR03EZHJ472	1	10/P									R13
14	D0-01020001	MCR03EZHJ472	1	10/P									R14
15	D0-01020001	MCR03EZHJ472	1	10/P									R15
16	D0-01020001	MCR03EZHJ472	1	10/P									R16
17	D0-01020001	MCR03EZHJ472	1	10/P									R17
18	D0-01020001	MCR03EZHJ472	1	10/P									R18
19	D0-01020001	MCR03EZHJ472	1	10/P									R19
20	D0-00951001	MCR03EZHJ101	1	10/P									R20
21	D0-00951001	MCR03EZHJ101	1	10/P									R21
22	D0-00951001	MCR03EZHJ101	1	10/P									R22
23	D0-00953001	MCR03EZHJ103	1	10/P									R23

24	D0-00949001	MCR03EZHZJ000	1	10/P															R24
25	D0-00949001	MCR03EZHZJ000	1	10/P															R25
28	D0-00951001	MCR03EZHZJ101	1	10/P															R28
29	D0-00951001	MCR03EZHZJ101	1	10/P															R29
30	D0-00951001	MCR03EZHZJ101	1	10/P															R30
31	D0-00950001	MCR03EZHZJ100	1	10/P															R31
32	D0-00950001	MCR03EZHZJ100	1	10/P															R32
33	D0-00950001	MCR03EZHZJ100	1	10/P															R33
34	D0-00950001	MCR03EZHZJ100	1	10/P															R34
35	D0-00981001	MCR03EZHZJ220	1	10/P															R35
36	D0-00981001	MCR03EZHZJ220	1	10/P															R36
39	D0-01005001	MCR03EZHZJ333	1	5/P															R39
43	D0-00949001	MCR03EZHZJ000	1	10/P															R43
44	D0-00949001	MCR03EZHZJ000	1	10/P															R44
45	D0-00984001	MCR03EZHZJ223	1	10/P															R45
46	D0-01020001	MCR03EZHZJ472	1	10/P															R46
47	D0-00984001	MCR03EZHZJ223	1	10/P															R47
48	D0-00953001	MCR03EZHZJ103	1	10/P															R48
49	D0-00953001	MCR03EZHZJ103	1	10/P															R49
50	D0-00953001	MCR03EZHZJ103	1	10/P															R50
51	D0-00953001	MCR03EZHZJ103	1	10/P															R51
52	D0-00953001	MCR03EZHZJ103	1	10/P															R52
54	D0-00953001	MCR03EZHZJ103	1	10/P															R54
55	D0-00981001	MCR03EZHZJ220	1	10/P															R55
56	D0-00953001	MCR03EZHZJ103	1	10/P															R56
57	D0-00981001	MCR03EZHZJ220	1	10/P															R57

58	D0-00965001	MCR03EZHJ151	1	10/P															R58
59	D0-00951001	MCR03EZHJ101	1	10/P															R59
60	D0-00951001	MCR03EZHJ101	1	10/P															R60
61	D0-00981001	MCR03EZHJ220	1	10/P															R61
62	D0-00955001	MCR03EZHJ105	1	10/P															R62
63	D0-01020001	MCR03EZHJ472	1	10/P															R63
64	D0-01020001	MCR03EZHJ472	1	10/P															R64
67	D0-01020001	MCR03EZHJ472	1	10/P															R67
68	D0-01020001	MCR03EZHJ472	1	10/P															R68
69	D0-01020001	MCR03EZHJ472	1	10/P															R69
70	D0-01020001	MCR03EZHJ472	1	10/P															R70
71	D0-00951001	MCR03EZHJ101	1	10/P															R71
72	D0-00951001	MCR03EZHJ101	1	10/P															R72
73	D0-01020001	MCR03EZHJ472	1	10/P															R73
74	D0-01038001	MCR03EZHJ682	1	5/P															R74
75	D0-01020001	MCR03EZHJ472	1	10/P															R75
76	D0-01038001	MCR03EZHJ682	1	5/P															R76
77	D0-01020001	MCR03EZHJ472	1	10/P															R77
78	D0-01038001	MCR03EZHJ682	1	5/P															R78
79	D0-01020001	MCR03EZHJ472	1	10/P															R79
80	D0-01038001	MCR03EZHJ682	1	5/P															R80
81	D0-01020001	MCR03EZHJ472	1	10/P															R81
82	D0-01038001	MCR03EZHJ682	1	5/P															R82
83	D0-01020001	MCR03EZHJ472	1	10/P															R83
84	D0-01038001	MCR03EZHJ682	1	5/P															R84
85	D0-01020001	MCR03EZHJ472	1	10/P															R85

86	D0-01038001	MCR03EZHZJ682	1	5/P																R86
87	D0-01020001	MCR03EZHZJ472	1	10/P																R87
88	D0-01038001	MCR03EZHZJ682	1	5/P																R88
89	D0-01020001	MCR03EZHZJ472	1	10/P																R89
90	D0-01038001	MCR03EZHZJ682	1	5/P																R90
91	D0-01020001	MCR03EZHZJ472	1	10/P																R91
92	D0-01038001	MCR03EZHZJ682	1	5/P																R92
93	D0-01020001	MCR03EZHZJ472	1	10/P																R93
94	D0-01038001	MCR03EZHZJ682	1	5/P																R94
95	D0-01020001	MCR03EZHZJ472	1	10/P																R95
96	D0-01038001	MCR03EZHZJ682	1	5/P																R96
97	D0-01020001	MCR03EZHZJ472	1	10/P																R97
98	D0-01038001	MCR03EZHZJ682	1	5/P																R98
99	D0-01020001	MCR03EZHZJ472	1	10/P																R99
100	D0-01038001	MCR03EZHZJ682	1	5/P																R100
101	D0-01020001	MCR03EZHZJ472	1	10/P																R101
102	D0-01038001	MCR03EZHZJ682	1	5/P																R102
103	D0-01020001	MCR03EZHZJ472	1	10/P																R103
104	D0-01038001	MCR03EZHZJ682	1	5/P																R104
108	D0-01005001	MCR03EZHZJ333	1	5/P																R108
109	D0-00951001	MCR03EZHZJ101	1	10/P																R109
110	D0-00951001	MCR03EZHZJ101	1	10/P																R110
111	D0-00951001	MCR03EZHZJ101	1	10/P																R111
112	D0-00951001	MCR03EZHZJ101	1	10/P																R112
113	D0-00951001	MCR03EZHZJ101	1	10/P																R113
116	D0-01020001	MCR03EZHZJ472	1	10/P																R116

117	D0-00951001	MCR03EZHJ101	1	10/P														R117
118	D0-00981001	MCR03EZHJ220	1	10/P														R118
119	D0-00981001	MCR03EZHJ220	1	10/P														R119
120	D0-00981001	MCR03EZHJ220	1	10/P														R120
121	D0-00981001	MCR03EZHJ220	1	10/P														R121
122	D0-01020001	MCR03EZHJ472	1	10/P														R122
123	D0-01020001	MCR03EZHJ472	1	10/P														R123
124	D0-01020001	MCR03EZHJ472	1	10/P														R124
125	D0-01020001	MCR03EZHJ472	1	10/P														R125
126	D0-01020001	MCR03EZHJ472	1	10/P														R126
128	D0-01020001	MCR03EZHJ472	1	10/P														R128
129	D0-01020001	MCR03EZHJ472	1	10/P														R129
130	D0-00951001	MCR03EZHJ101	1	10/P														R130
131	D0-01020001	MCR03EZHJ472	1	10/P														R131
132	D0-00951001	MCR03EZHJ101	1	10/P														R132
133	D0-00951001	MCR03EZHJ101	1	10/P														R133
136	D0-00951001	MCR03EZHJ101	1	10/P														R136
137	D0-00951001	MCR03EZHJ101	1	10/P														R137
138	D0-00951001	MCR03EZHJ101	1	10/P														R138
139	D0-00951001	MCR03EZHJ101	1	10/P														R139
140	D0-00951001	MCR03EZHJ101	1	10/P														R140
141	D0-00951001	MCR03EZHJ101	1	10/P														R141
142	D0-00951001	MCR03EZHJ101	1	10/P														R142
143	D0-00951001	MCR03EZHJ101	1	10/P														R143
144	D0-00951001	MCR03EZHJ101	1	10/P														R144
145	D0-00951001	MCR03EZHJ101	1	10/P														R145





175	D0-00951001	MCR03EZHJ101	1	10/P																R175	
176	D0-01041001	MCR03EZHJ750	1	5/P																	R176
177	D0-01020001	MCR03EZHJ472	1	10/P																	R177
178	D0-01012001	MCR03EZHJ392	1	5/P																	R178
179	D0-01020001	MCR03EZHJ472	1	10/P																	R179
180	D0-01020001	MCR03EZHJ472	1	10/P																	R180
181	D0-01020001	MCR03EZHJ472	1	10/P																	R181
182	D0-01020001	MCR03EZHJ472	1	10/P																	R182
183	D0-01020001	MCR03EZHJ472	1	10/P																	R183
184	D0-00984001	MCR03EZHJ223	1	10/P																	R184
185	D0-00984001	MCR03EZHJ223	1	10/P																	R185
186	D0-00984001	MCR03EZHJ223	1	10/P																	R186
187	D0-00984001	MCR03EZHJ223	1	10/P																	R187
188	D0-00984001	MCR03EZHJ223	1	10/P																	R188
189	D0-01020001	MCR03EZHJ472	1	10/P																	R189
190	D0-01020001	MCR03EZHJ472	1	10/P																	R190
191	D0-00984001	MCR03EZHJ223	1	10/P																	R191
192	D0-00984001	MCR03EZHJ223	1	10/P																	R192
199	D0-01020001	MCR03EZHJ472	1	10/P																	R199
200	D0-01020001	MCR03EZHJ472	1	10/P																	R200
201	D0-01020001	MCR03EZHJ472	1	10/P																	R201
202	D0-01020001	MCR03EZHJ472	1	10/P																	R202
203	D0-01020001	MCR03EZHJ472	1	10/P																	R203
204	D0-00984001	MCR03EZHJ223	1	10/P																	R204
205	D0-00984001	MCR03EZHJ223	1	10/P																	R205
206	D0-00984001	MCR03EZHJ223	1	10/P																	R206

207	D0-00984001	MCR03EZHJ223	1	10/P													R207
208	D0-00984001	MCR03EZHJ223	1	10/P													R208
209	D0-01026001	MCR03EZHJ511	1	5/P													R209
218	D0-00951001	MCR03EZHJ101	1	10/P													R218
219	D0-00951001	MCR03EZHJ101	1	10/P													R219
220	D0-00951001	MCR03EZHJ101	1	10/P													R220
221	D0-00951001	MCR03EZHJ101	1	10/P													R221
222	D0-00951001	MCR03EZHJ101	1	10/P													R222
223	D0-00951001	MCR03EZHJ101	1	10/P													R223
224	D0-00951001	MCR03EZHJ101	1	10/P													R224
225	D0-00951001	MCR03EZHJ101	1	10/P													R225
226	D0-00951001	MCR03EZHJ101	1	10/P													R226
227	D0-00951001	MCR03EZHJ101	1	10/P													R227
228	D0-00951001	MCR03EZHJ101	1	10/P													R228
229	D0-00951001	MCR03EZHJ101	1	10/P													R229
230	D0-00951001	MCR03EZHJ101	1	10/P													R230
231	D0-00951001	MCR03EZHJ101	1	10/P													R231
232	D0-00951001	MCR03EZHJ101	1	10/P													R232
233	D0-00951001	MCR03EZHJ101	1	10/P													R233
234	D0-01020001	MCR03EZHJ472	1	10/P													R234
235	D0-01020001	MCR03EZHJ472	1	10/P													R235
236	D0-01020001	MCR03EZHJ472	1	10/P													R236
237	D0-00951001	MCR03EZHJ101	1	10/P													R237
238	D0-01020001	MCR03EZHJ472	1	10/P													R238
239	D0-00951001	MCR03EZHJ101	1	10/P													R239
240	D0-01020001	MCR03EZHJ472	1	10/P													R240

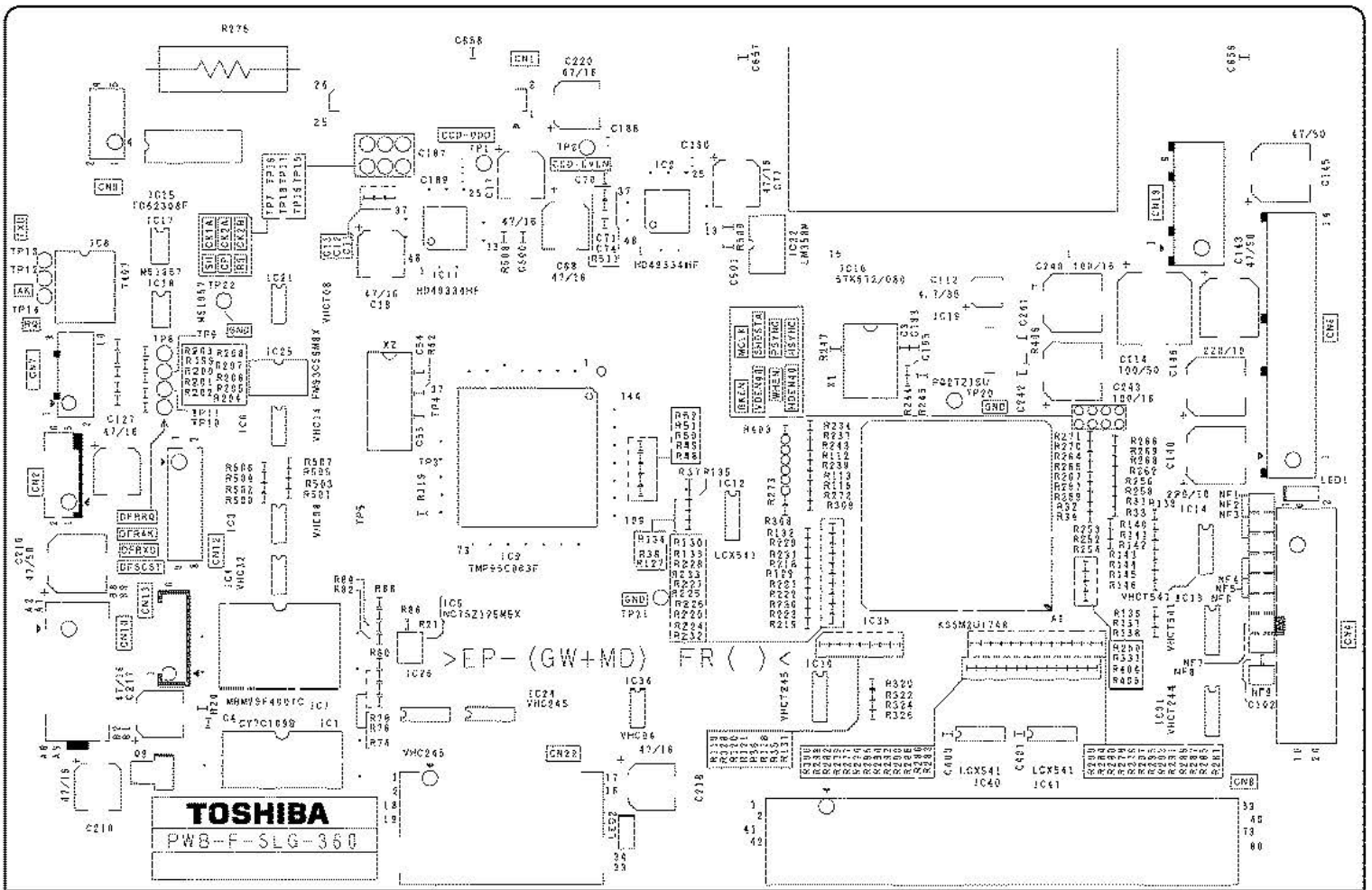
241	D0-01020001	MCR03EZHJ472	1	10/P																R241	
242	D0-01020001	MCR03EZHJ472	1	10/P																	R242
243	D0-00951001	MCR03EZHJ101	1	10/P																	R243
244	D0-00951001	MCR03EZHJ101	1	10/P																	R244
245	D0-00950001	MCR03EZHJ100	1	10/P																	R245
246	D0-01020001	MCR03EZHJ472	1	10/P																	R246
247	D0-00983001	MCR03EZHJ222	1	10/P																	R247
248	D0-01020001	MCR03EZHJ472	1	10/P																	R248
249	D0-00952001	MCR03EZHJ102	1	10/P																	R249
250	D0-01020001	MCR03EZHJ472	1	10/P																	R250
252	D0-00950001	MCR03EZHJ100	1	10/P																	R252
253	D0-00950001	MCR03EZHJ100	1	10/P																	R253
254	D0-00950001	MCR03EZHJ100	1	10/P																	R254
255	D0-01020001	MCR03EZHJ472	1	10/P																	R255
256	D0-00950001	MCR03EZHJ100	1	10/P																	R256
257	D0-00950001	MCR03EZHJ100	1	10/P																	R257
258	D0-00950001	MCR03EZHJ100	1	10/P																	R258
259	D0-00950001	MCR03EZHJ100	1	10/P																	R259
260	D0-00984001	MCR03EZHJ223	1	10/P																	R260
261	D0-00951001	MCR03EZHJ101	1	10/P																	R261
262	D0-01020001	MCR03EZHJ472	1	10/P																	R262
263	D0-01041001	MCR03EZHJ750	1	5/P																	R263
264	D0-00950001	MCR03EZHJ100	1	10/P																	R264
265	D0-00950001	MCR03EZHJ100	1	10/P																	R265
266	D0-00950001	MCR03EZHJ100	1	10/P																	R266
267	D0-00950001	MCR03EZHJ100	1	10/P																	R267



295	D0-00981001	MCR03EZHJ220	1	10/P														R295
296	D0-00981001	MCR03EZHJ220	1	10/P														R296
297	D0-00981001	MCR03EZHJ220	1	10/P														R297
298	D0-00981001	MCR03EZHJ220	1	10/P														R298
299	D0-00981001	MCR03EZHJ220	1	10/P														R299
300	D0-00981001	MCR03EZHJ220	1	10/P														R300
301	D0-01026001	MCR03EZHJ511	1	5/P														R301
303	D0-00951001	MCR03EZHJ101	1	10/P														R303
304	D0-01020001	MCR03EZHJ472	1	10/P														R304
305	D0-01020001	MCR03EZHJ472	1	10/P														R305
306	D0-01020001	MCR03EZHJ472	1	10/P														R306
307	D0-01020001	MCR03EZHJ472	1	10/P														R307
308	D0-00951001	MCR03EZHJ101	1	10/P														R308
309	D0-00951001	MCR03EZHJ101	1	10/P														R309
310	D0-00951001	MCR03EZHJ101	1	10/P														R310
311	D0-00951001	MCR03EZHJ101	1	10/P														R311
312	D0-00951001	MCR03EZHJ101	1	10/P														R312
318	D0-00951001	MCR03EZHJ101	1	10/P														R318
319	D0-00965001	MCR03EZHJ151	1	10/P														R319
320	D0-01020001	MCR03EZHJ472	1	10/P														R320
321	D0-01020001	MCR03EZHJ472	1	10/P														R321
322	D0-01020001	MCR03EZHJ472	1	10/P														R322
323	D0-01020001	MCR03EZHJ472	1	10/P														R323
324	D0-01020001	MCR03EZHJ472	1	10/P														R324
325	D0-01020001	MCR03EZHJ472	1	10/P														R325
326	D0-01020001	MCR03EZHJ472	1	10/P														R326

327	D0-01020001	MCR03EZHJ472	1	10/P															R327
328	D0-00981001	MCR03EZHJ220	1	10/P															R328
329	D0-00951001	MCR03EZHJ101	1	10/P															R329
330	D0-00951001	MCR03EZHJ101	1	10/P															R330
331	D0-00950001	MCR03EZHJ100	1	10/P															R331
357	D0-00951001	MCR03EZHJ101	1	10/P															R357
358	D0-00949001	MCR03EZHJ000	1	10/P															R358
400	D0-00951001	MCR03EZHJ101	1	10/P															R400
401	D0-00953001	MCR03EZHJ103	1	10/P															R401
402	D0-00953001	MCR03EZHJ103	1	10/P															R402
403	D0-00951001	MCR03EZHJ101	1	10/P															R403
404	D0-01020001	MCR03EZHJ472	1	10/P															R404
405	D0-01020001	MCR03EZHJ472	1	10/P															R405
406	D0-00953001	MCR03EZHJ103	1	10/P															R406
407	D0-00951001	MCR03EZHJ101	1	10/P															R407
510	D0-00951001	MCR03EZHJ101	1	10/P															R510
511	D0-00951001	MCR03EZHJ101	1	10/P															R511
600	D0-00951001	MCR03EZHJ101	1	10/P															R600
601	D0-01020001	MCR03EZHJ472	1	10/P															R601
602	D0-01020001	MCR03EZHJ472	1	10/P															R602
651	E0-07026001	26FMN-BMTTN-A-TFT (LF)(SN)	1	5/P															CN1
652	E0-07109000	B06B-CZHK-B-1 (LF)(V)	1	5/P															CN2
654	E0-06559000	HU5-20OPNA-S53TD20	1	5/P															CN4
656	E0-04753000	B14B-XASK-1	1	5/P															CN6
657	E0-06780000	B10B-PHDSS (LF)	1	5/P															CN7
658	E0-04756000	TX25-80P-LT-N1	1	5/P															CN8





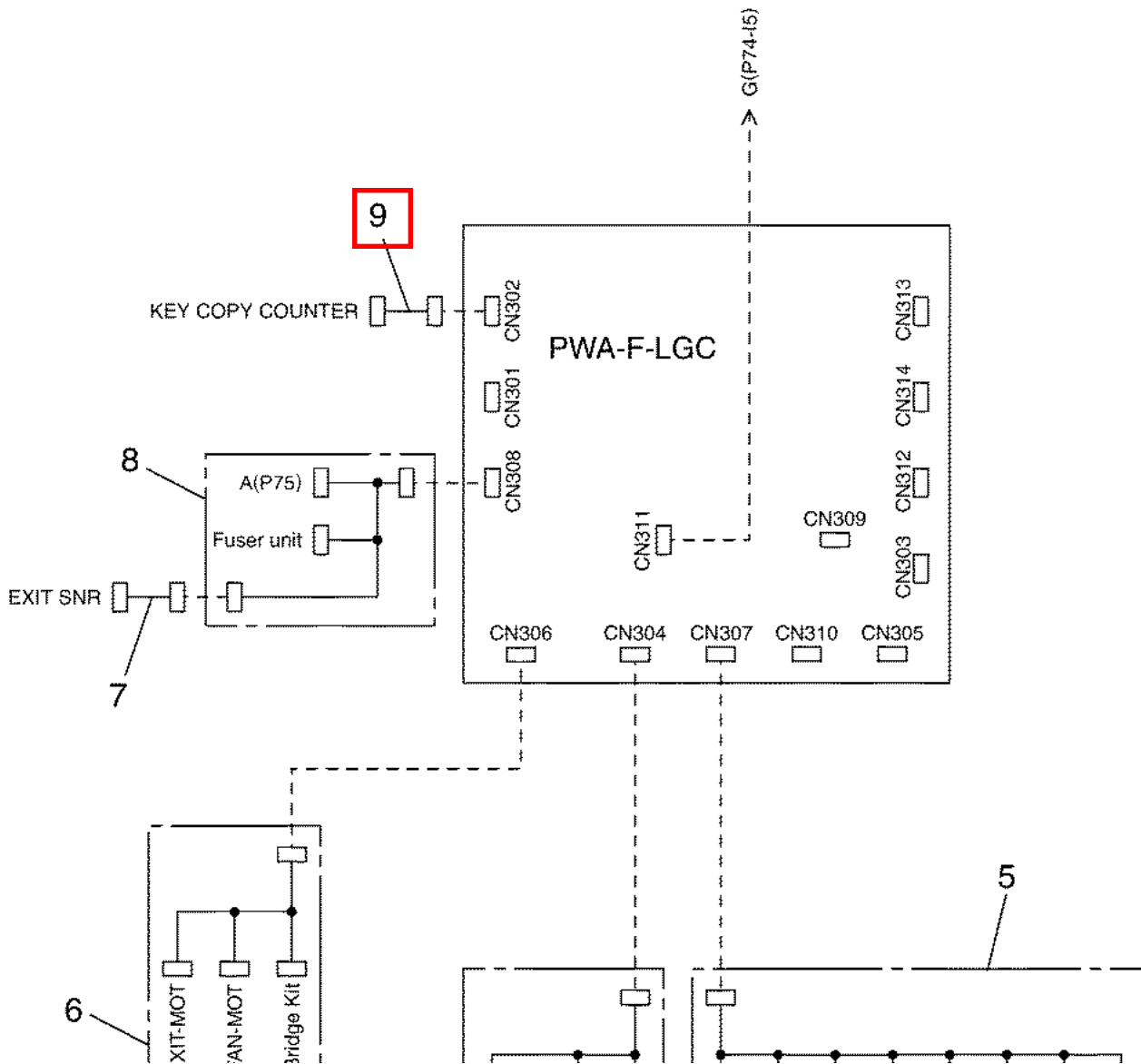


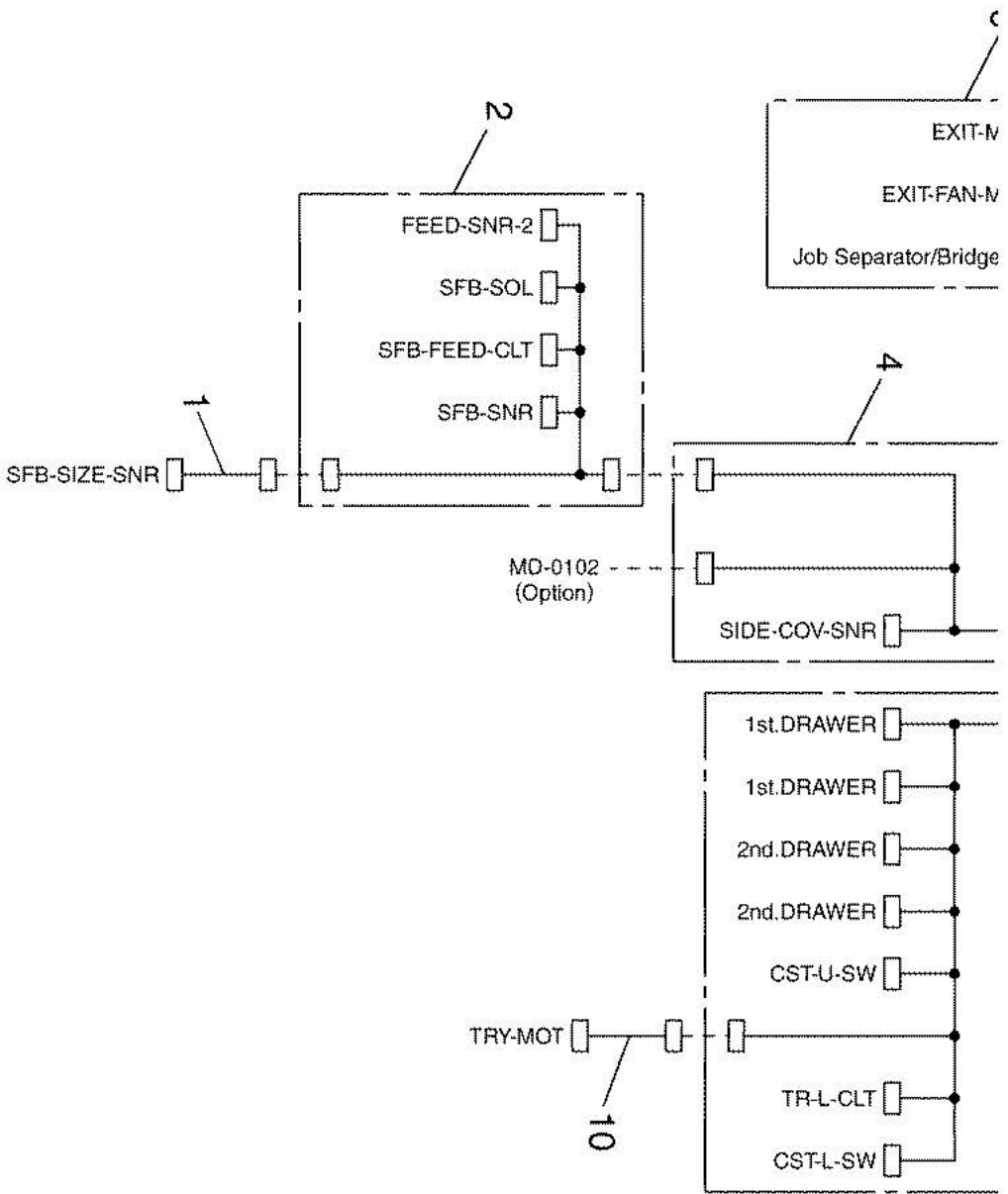
Model:

Page:

Issue  
Date:

Item No.	Parts No.	Parts Name	QTY / Unit	QTY / Pack	Part remarks	Catg.	Serial No.	P	I	R	BSI No.	Change	PC Board
1	6LA89429000	HRNS-SFB-SIZE-371	1	1/P				A	-	J	G05A692		
2	6LA89430000	HRNS-SFB-371	1	1/P				A	-	J	G05A692		
4	6LA89407000	HRNS-LGC-ADU-371	1	1/P				A	-	J	G05A692		
5	6LA89409000	HRNS-LGC-FEDU-371	1	1/P				A	-	J	G05A692		
6	6LA89405000	HRNS-LGC-EXIT-371	1	1/P				A	-	J	G05A692		
7	6LA89425000	HRNS-EXIT-371	1	1/P				A	-	J	G05A692		
8	6LA89403000	HRNS-LGC-HVPS-371	1	1/P				A	-	J	G05A692		
9	6LA89402000	HRNS-LGC-CUNT-371	1	1/P				A	-	J	G05A692		
10	6LA97747000	HRNS-INSERT-PSW-318	1	1/P	TWD			A	-	J	G05A692		



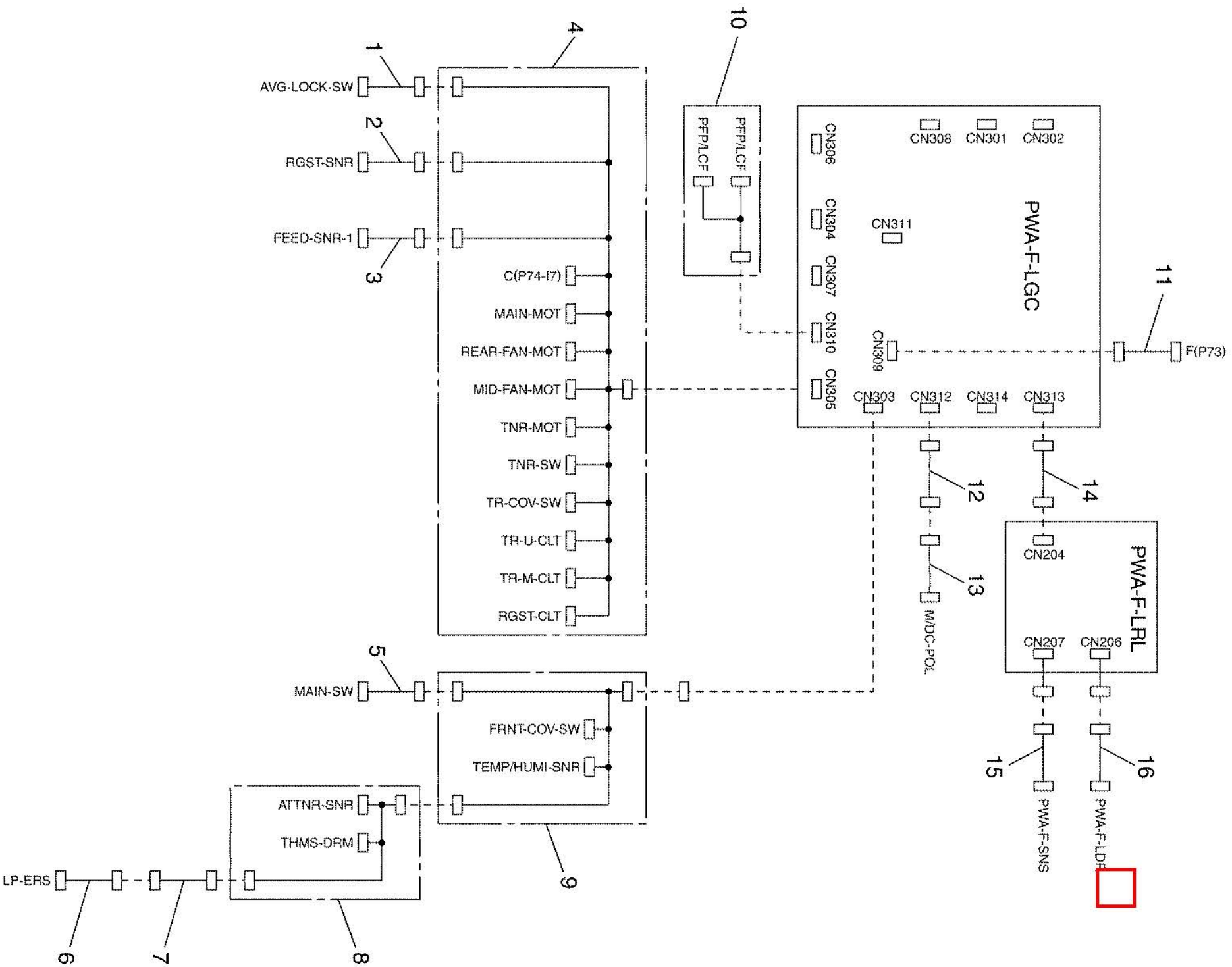


Model:

Page:

Issue  
Date:

Item No.	Parts No.	Parts Name	QTY / Unit	QTY / Pack	Part remarks	Catg.	Serial No.	P	I	R	BSI No.	Change	PC Board
1	6LA89461000	HRNS-TNR-FULL-371	1	1/P				A	-	J	G05A692		
2	6LA89455000	HRNS-RGT-SW-371	1	1/P				A	-	J	G05A692		
3	6LA89456000	HRNS-1STFED-SW-371	1	1/P				A	-	J	G05A692		
4	6LA89406000	HRNS-LGC-MOT-371	1	1/P				A	-	J	G05A692		
5	6LA89460000	HRNS-RSTSW-371	1	1/P				A	-	J	G05A692	To: 5-1	
6	6LA89452000	HRNS-DLE-371	1	1/P				A	-	J	G05A692		
7	6LA89453000	HRNS-DLE2-371	1	1/P				A	-	J	G05A692		
8	6LA89424000	HRNS-ATS-371	1	1/P				A	-	J	G05A692		
9A	6LA89404000	HRNS-LGC-FRT-371	1	1/P	e-STUDIO230			A	-	J	G05A692		
9B	6LA89469000	HRNS-LGC-FRT-372	1	1/P	e-STUDIO280			A	-	J	G05A692		
<b>9C</b>	<b>6LA89480000</b>	<b>HRNS-LGC-FRT-373</b>	<b>1</b>	<b>1/P</b>	<b>e-STUDIO200</b>			<b>A</b>	<b>-</b>	<b>J</b>	<b>G05A692</b>		
10	6LA89412000	HRNS-LGC-PFP-371	1	1/P				A	-	J	G05A692	To: 10B	
10A	6LA89412000	HRNS-LGC-PFP-371	1	1/P	EXCEPT TWD			-	-	-	G05E995	From: 10	
10B	6LA89485000	HRNS-LGC-PFP-371TWD	1	1/P	TWD			A	-	J	G05E995	From: 10	
11	6LA89411000	HRNS-LGC-SYS-371	1	1/P				A	-	J	G05A692		
12	6LA89413000	HRNS-LGC-POL-371	1	1/P				A	-	J	G05A692		
13	6LA89447000	HRNS-POL-371	1	1/P				A	-	J	G05A692		
14	6LA89414000	HRNS-LGC-LDR-371	1	1/P				A	-	J	G05A692		
15	6LA89446000	HRNS-SNS-371	1	1/P				A	-	J	G05A692		
16	6LA71345000	HRNS-LDR-360	1	1/P				A	-	J	G05A692		





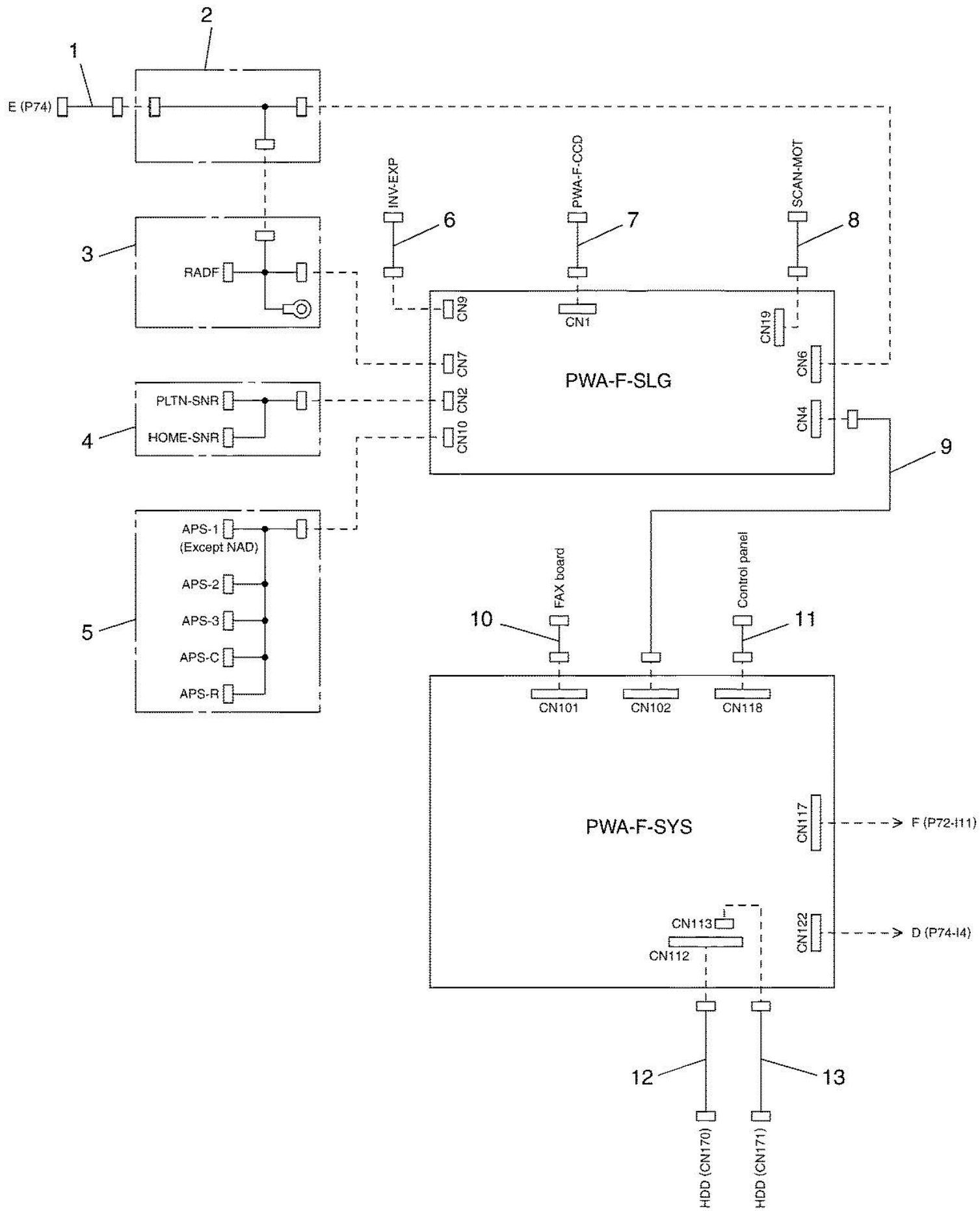
Model:

Page:

Issue  
Date:

Item No.	Parts No.	Parts Name	QTY / Unit	QTY / Pack	Part remarks	Catg.	Serial No.	P	I	R	BSI No.	Change	PC Board
1	6LA89421000	HRNS-PWR-SLG-371	1	1/P				A	-	J	G05A692		
2	6LA89466000	HRNS-SLG-SPLY-371	1	1/P				A	-	J	G05A692		
3	6LA89468000	HRNS-ADF-371	1	1/P				A	-	J	G05A692		
4	6LA71384000	HRNS-SNSR-SCN-360	1	1/P				A	-	J	G05A692		
5A	6LA71424000	HRNS-APS-A-360	1	1/P	ASD,AUD,MJD,ASU, SAD,IRD,CND,TWD			A	-	J	G05A692	To: 5A-1	
5A-1	6LA71424000	HRNS-APS-A-360	1	1/P	ASD,AUD,MJD,ASU, SAD,CND,TWD,KRD			-	-	-	G04L674	To: 5A-2	
5B	6LA71425000	HRNS-APS-L-360	1	1/P	NAD			A	-	J	G05A692	To: 5B-1	
6	6LA71382000	HRNS-INV-360	1	1/C				A	-	J	G05A692		
7	6LA71418000	HRNS-CCD-360	1	1/KP				A	-	J	G05A692	To: 7-1	
8	6LA71386000	HRNS-SCN-MOT-360	1	1/P				A	-	J	G05A692		
9	6LA89478000	HRNS-SLG-SYS-371	1	1/P				A	-	J	G05A692	To: 9-1	
9-1	6LA81380000	HRNS-SLG-SYS-371	1	1/P				C	E	J	G05E941	From: 9	
10	6LA47806000	HRNS-FAX-350	1	1/P				A	-	J	G05A692	To: 10-1	
10-1	6LE49426000	HRNS-FAX-410	1	1/P				C	E	F	G05F092	From: 10	
11	6LA89432000	HRNS-SYS-OPE-371	1	1/P				A	-	J	G05A692		
12	6LA89457000	HRNS-HDD-SIG-371	1	1/P				A	-	J	G05A692	To: 12-1	
13	6LA89458000	HRNS-HDD-POW-371	1	1/P				A	-	J	G05A692		







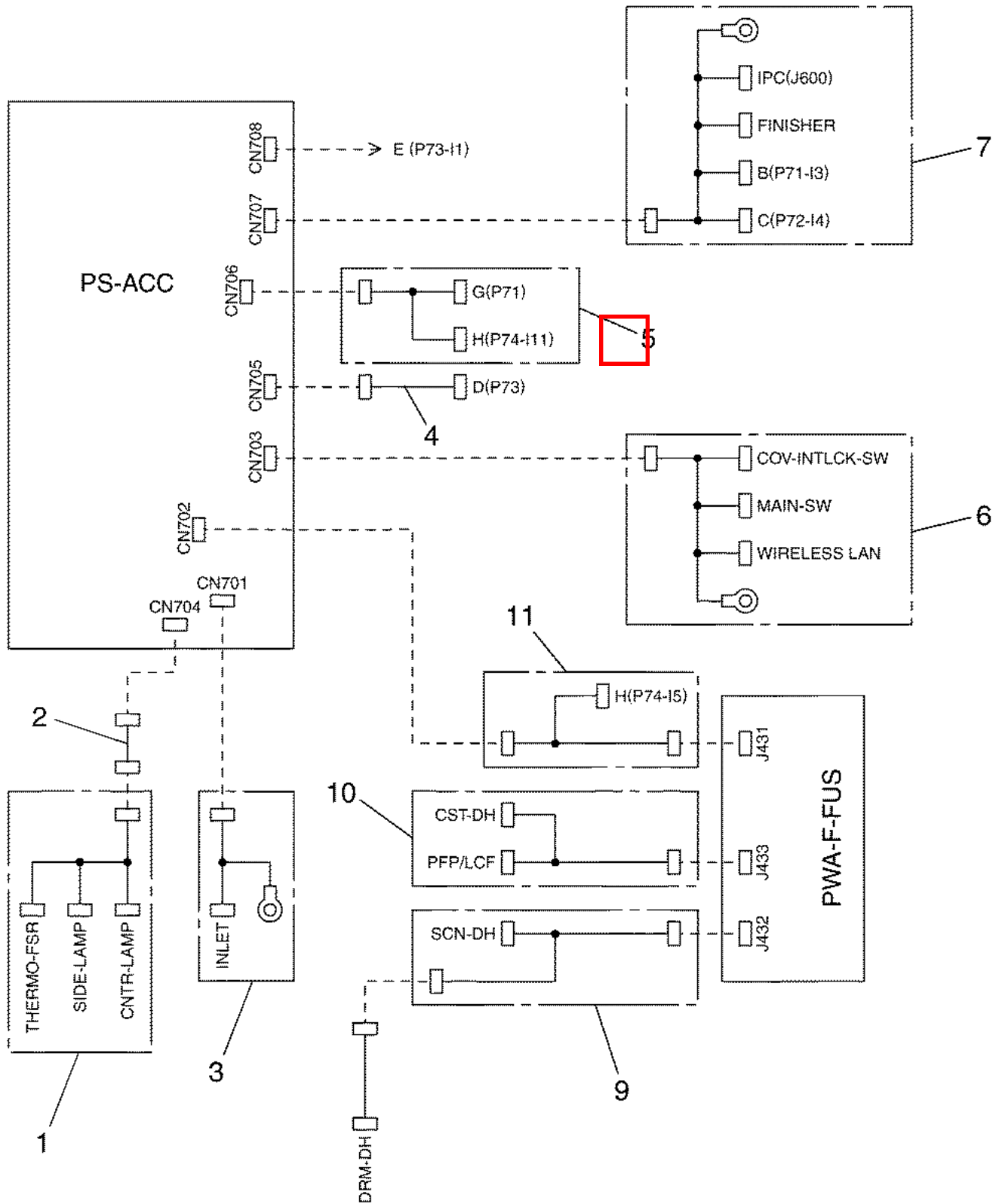


Model:

Page:

Issue  
Date:

Item No.	Parts No.	Parts Name	QTY / Unit	QTY / Pack	Part remarks	Catg.	Serial No.	P	I	R	BSI No.	Change	PC Board
1	6LA89443000	HRNS-LP-ACIN2-371	1	1/P				A	-	J	G05A692		
2	6LA89439000	HRNS-LP-ACIN-371	1	1/P				A	-	J	G05A692		
3	6LA89437000	HRNS-INLT-371	1	1/P				A	-	J	G05A692		
4	6LA89474000	HRNS-PWR-SYS-371	1	1/P				A	-	J	G05A692		
5	6LA89417000	HRNS-PWR-LGC-371	1	1/P				A	-	J	G05A692		
6	6LA89438000	HRNS-MAIN-SW-371	1	1/P				A	-	J	G05A692	To: 6-1	
7	6LA89477000	HRNS-PWR-FIN-371-W	1	1/P				A	-	J	G05A692	To: 7B	
7A	6LA89477000	HRNS-PWR-FIN-371-W	1	1/P	EXCEPT TWD			-	-	-	G05E995	From: 7	
7B	6LA89486000	HRNS-PWR-FIN-371TWD	1	1/P	TWD			A	-	J	G05E995	From: 7	
8	6LA89444000	HRNS-D/H-DRM-371	1	1/P				A	-	J	G05A692		
9	6LA89442000	HRNS-D/H-371	1	1/P				A	-	J	G05A692		
10	6LA89441000	HRNS-D/H-CST-371	1	1/P				A	-	J	G05A692		
11	6LA89440000	HRNS-FUSE-371	1	1/P	AUD,CND,IRD			A	-	J	G05A692		



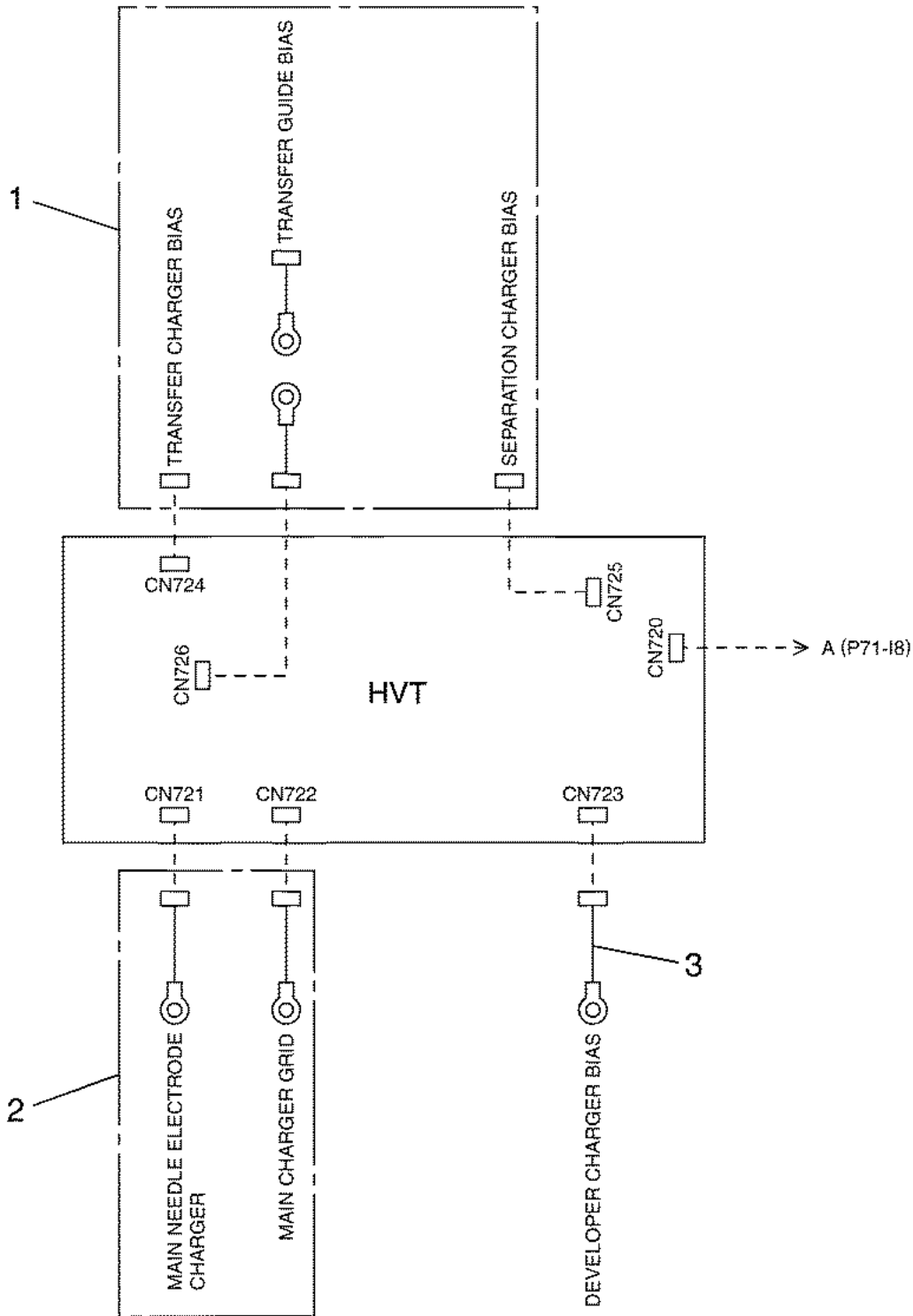


Model:

Page:

Issue  
Date:

Item No.	Parts No.	Parts Name	QTY / Unit	QTY / Pack	Part remarks	Catg.	Serial No.	P	I	R	BSI No.	Change	PC Board
1	6LA89434000	HRNS-HVT-TCH-371	1	1/P				A	-	J	G05A692		
2	6LA89435000	HRNS-HVT-MG-371	1	1/P				A	-	J	G05A692		
3	6LA89436000	HRNS-HVT-DEV-371	1	1/P				A	-	J	G05A692		

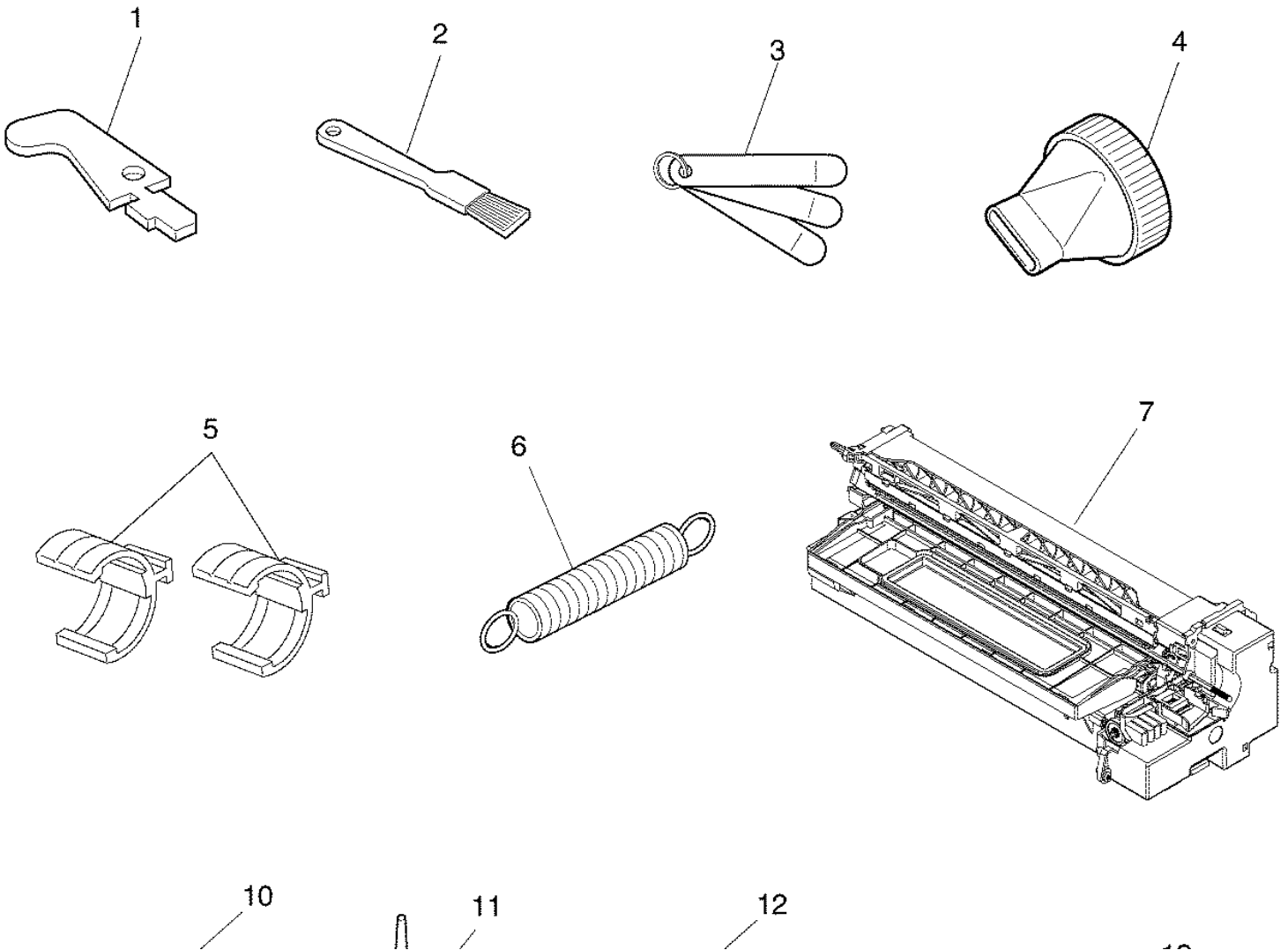


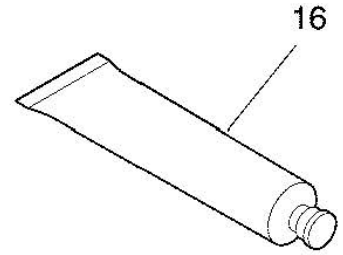
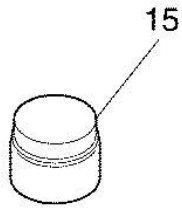
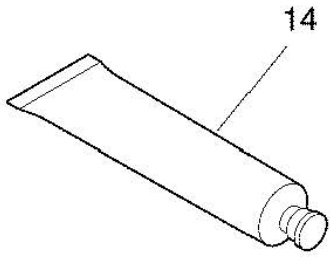
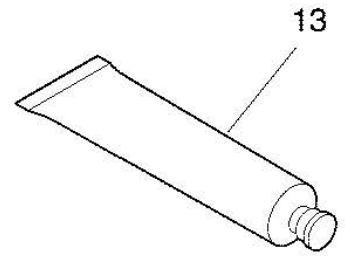
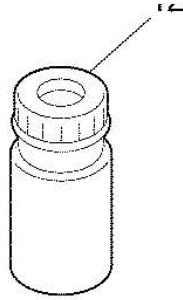
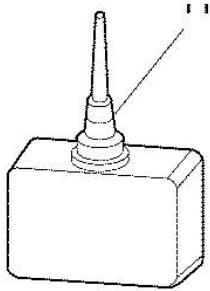
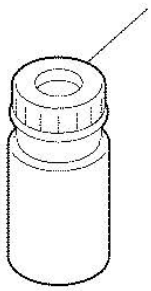
Model:

Page:

Issue  
Date:

Item No.	Parts No.	Parts Name	QTY / Unit	QTY / Pack	Part remarks	Catg.	Serial No.	P	I	R	BSI No.	Change	PC Board
1	4407915730	JIG-SW-F-COV	1	1/P									
2	4407915710	BRUSH-33	1	1/P									
3	4402048100	ASM-JIG-DOC-180	1	1/P									
4	4407914000	NOZZLE-BOTTLE	1	1/P									
5	6LA01757000	HOLDER-WIRE-SCAN	2	1/P									
6	44202661000	SPE-MOT-TNS	1	1/P									
7	6LA91605000	ASY-PU-TOOL-F371	1	1/C	High-Voltage measurement jig								
10	4407933080	ASM-SILICONE-1M	1	1/P	Silicon Oil								
11	4842512170	OIL-LAUNA40-100	1	1/P	LAUNA40 100cc								
12A	41303709000	ASM-PG-HP300-S	1	1/D	White grease 100g								
12B	6LA00019000	GREASE-HP300-S	1	1/P	White grease 10g								
13	41303711000	ASM-PG-ALV2	1	1/P	Alvania No.2								
14	4400545160	MOLYKOTE-100	1	1/C									
15	41303710000	ASM-PG-GE334C-S	1	1/C									



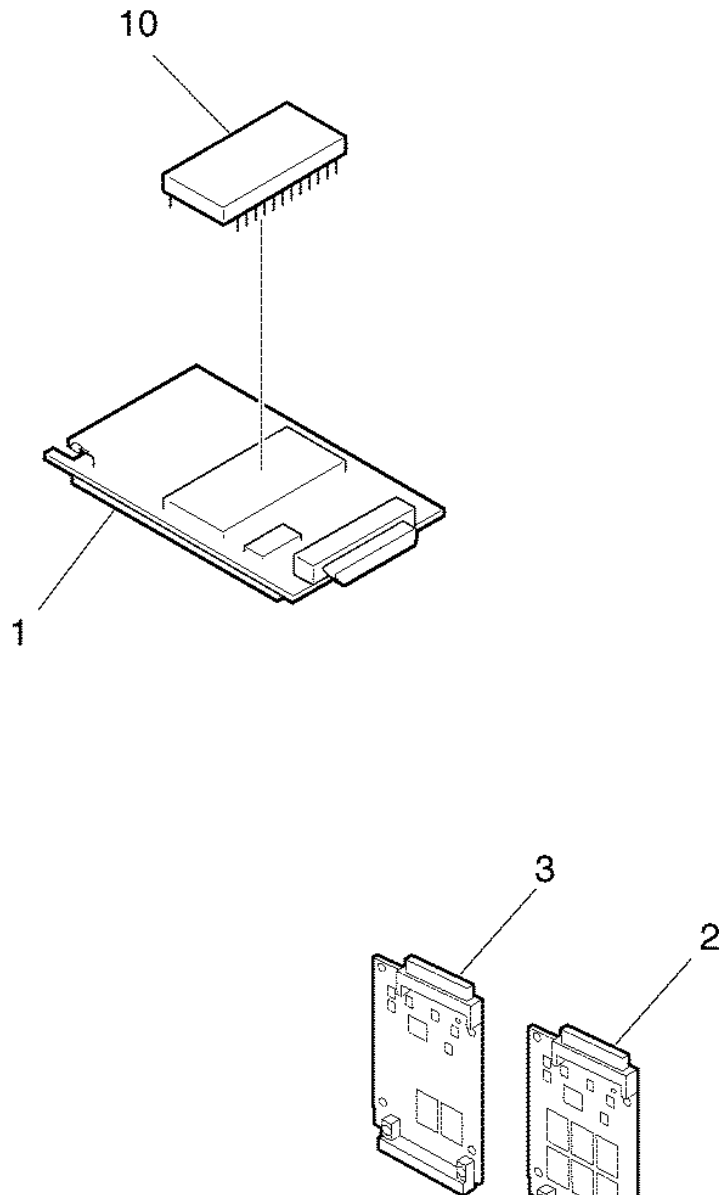


Model:

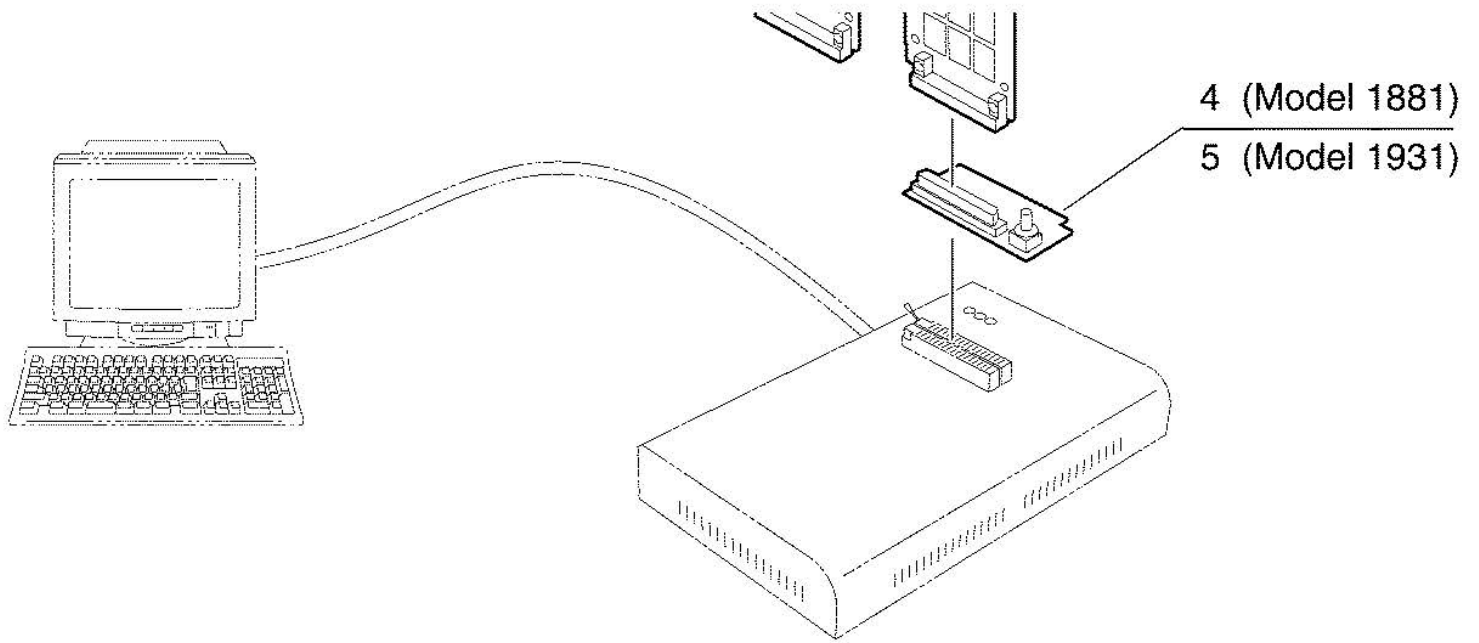
Page:

Issue  
Date:

Item No.	Parts No.	Parts Name	QTY / Unit	QTY / Pack	Part remarks	Catg.	Serial No.	P	I	R	BSI No.	Change	PC Board
1	44205829000	K-PWA-DLM-320	1	1/C									
2	6LA41995000	PWA-DWNLD-350-JIG2	1	1/SB									
3	6LA41994000	PWA-DWNLD-350-JIG1	1	1/SB									
4	6LA41996000	PWA-DL-ADP-350-1881	1	1/S									
5	6LA41997000	PWA-DL-ADP-350-1931	1	1/C									
10	C0-04530000	M27C4001-10F1	1	1/S									
11	6LA89821000	WR.ROM-T371M-11	1	1/S	Engine ROM			-	-	-	G04I515	To: 11-1	
11-1	6LA89825000	WR.ROM-T371M-12	1	1/S				C	B	D	G05B735	To: 11-2	
11-2	6LA89827000	WR.ROM-T371M-13	1	1/S				C	B	D	G05F063	From: 11-1	
12	6LA90106000	WR.ROM-T371S-06	1	1/S	Scanner ROM			-	-	-	G04I515		







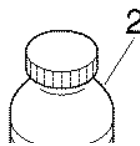
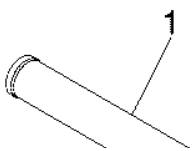
Model:

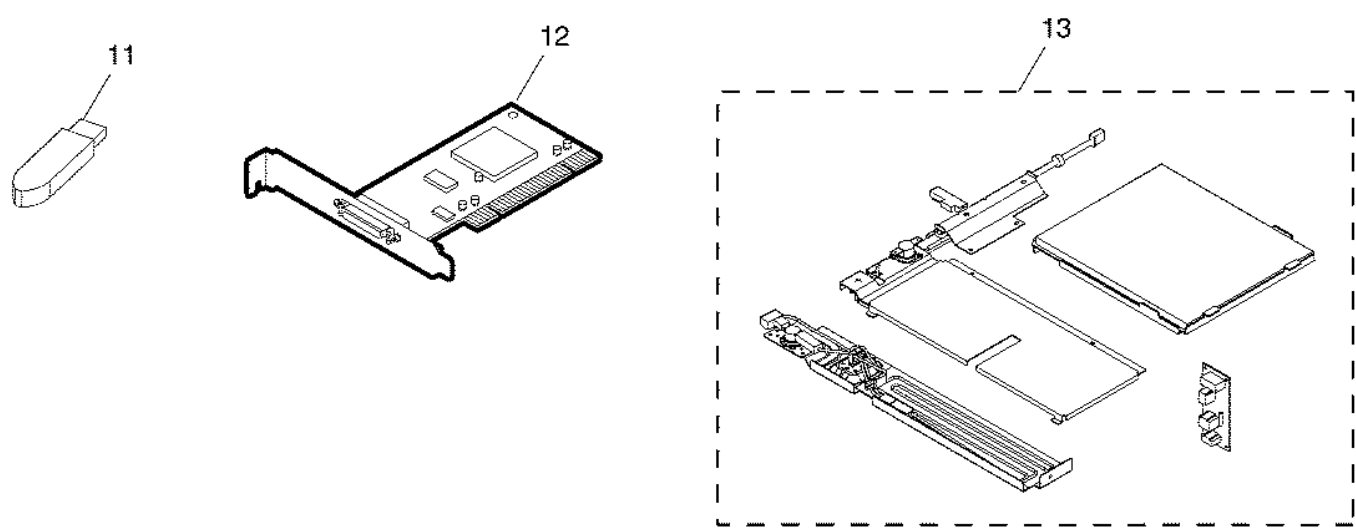
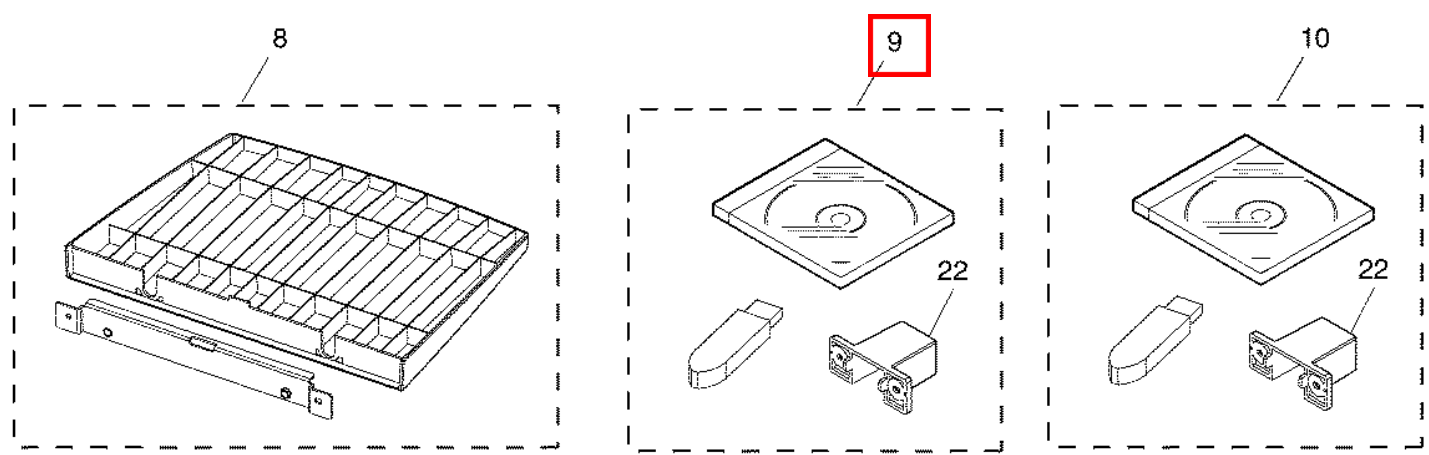
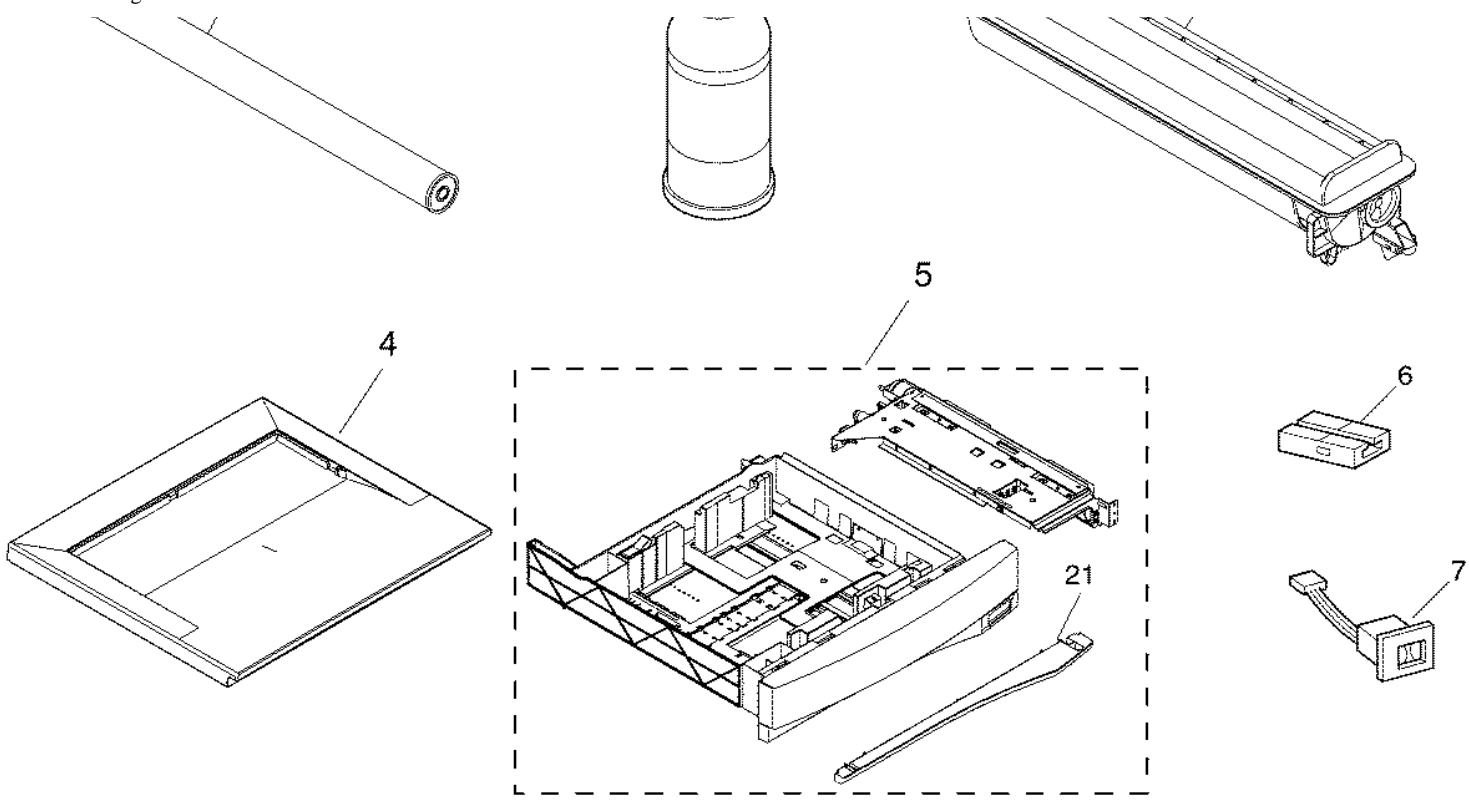
Page:

Issue

Date:

Item No.	Parts No.	Parts Name	QTY / Unit	QTY / Pack	Part remarks	Catg.	Serial No.	P	I	R	BSI No.	Change	PC Board
1A	41303611000	OD-1600	1	1/S	NAD,MJD,ASD. AUD,TWD	DRM							
1B	6LA27896000	OD-2320	1	1/S	CND	DRM							
2A	6LA27715000	D-2320	1	1/S	NAD,MJD,ASD. AUD,TWD	DEV							
2B	6LA27713000	D-2320C	1	1/S	CND	DEV							
3A	6AK00000010	PS-ZT2320(4)	1	SUPPLY	NAD	SUP							
3B	6AK00000009	PS-ZT2320E(1)	1	SUPPLY	MJD (TABS/TPD)	SUP							
3C	6AJ00000006	PS-ZT2320E(1)	1	SUPPLY	MJD (TEIS/TD)	SUP							
3D	6AK00000008	PS-ZT2320D(4)	1	SUPPLY	SAD,AUD (TABS/ TPD)	SUP							
3E	6AJ00000005	PS-ZT2320D(4)	1	SUPPLY	SAD,AUD (TEIS/ TD)	SUP							
3F	6AG00000297	PS-ZT2320D(4)	1	SUPPLY	SAD,AUD (TCOS)	SUP							
3G	6AG00000298	PS-ZT2320C(4)	1	SUPPLY	CND	SUP							
3H	6AG00000299	PS-ZT2320T(4)	1	SUPPLY	TWD	SUP							
4A	6AR00000032	KA-3511PC	1	SUPPLY	NAD,MJD,SAD. AUD	OPT							
4B	6AR00000033	KA-3511PC-N	1	SUPPLY	ASD,TWD	OPT							
4C	6AR00000034	KA-3511PC-C	1	SUPPLY	CND	OPT							
5A	6AR00000056	MY-1021	1	SUPPLY	NAD,MJD,SAD. AUD	OPT							
5B	6AR00000057	MY-1021-N	1	SUPPLY	ASD,TWD	OPT							
5C	6AR00000058	MY-1021-C	1	SUPPLY	CND	OPT							
6	66002050	MU-8	1	SUPPLY		SUP							
7	66002051	MU-10	1	SUPPLY		SUP							
8A	6AR00000059	KK-3511	1	SUPPLY	NAD,MJD,SAD. AUD	OPT							
8B	6AR00000060	KK-3511-N	1	SUPPLY	ASD,TWD	OPT							
8C	6AR00000061	KK-3511-C	1	SUPPLY	CND	OPT							
<b>9</b>	<b>6A000000252</b>	<b>GM-1020</b>	<b>1</b>	<b>SUPPLY</b>		<b>SUP</b>							
10	6A000000254	GM-2020	1	SUPPLY		OPT							
11	6A000000256	GM-3020	1	SUPPLY		OPT							
12	66089914	GF-1140	1	SUPPLY		SUP							
13A	6A000000257	MF-2320U	1	SUPPLY		OPT							
13B	6A000000258	MF-2320E	1	SUPPLY		OPT							
21	6LA47822000	COVER-F-SKIRT-PFP	1	1/P									
22	6LA60648000	COVER-ENABLER	1	1/P									





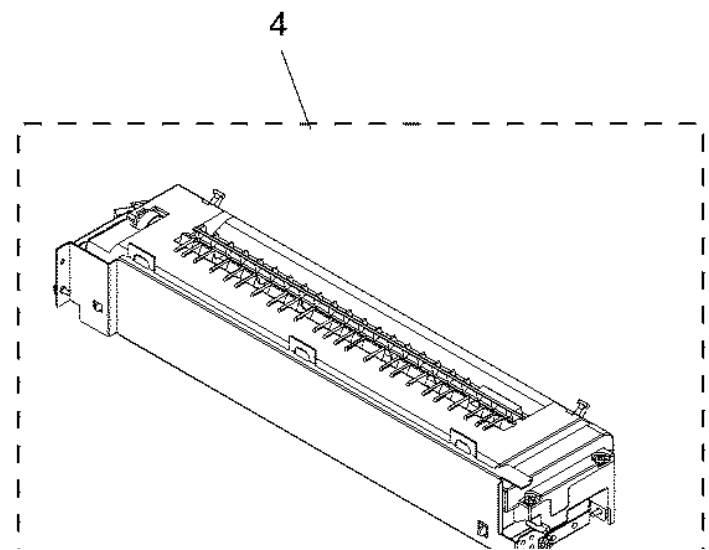
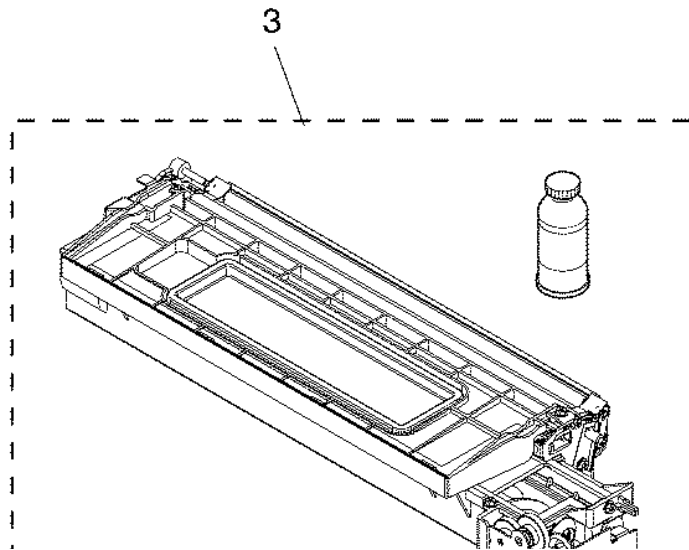
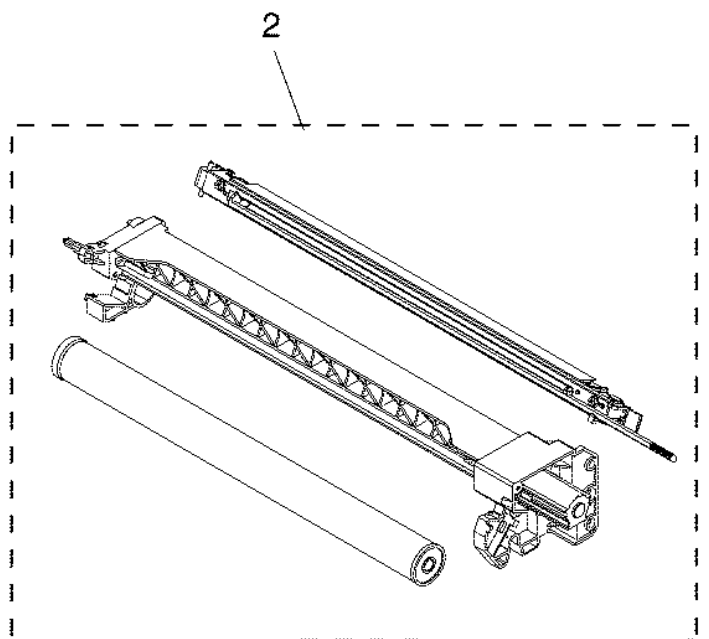
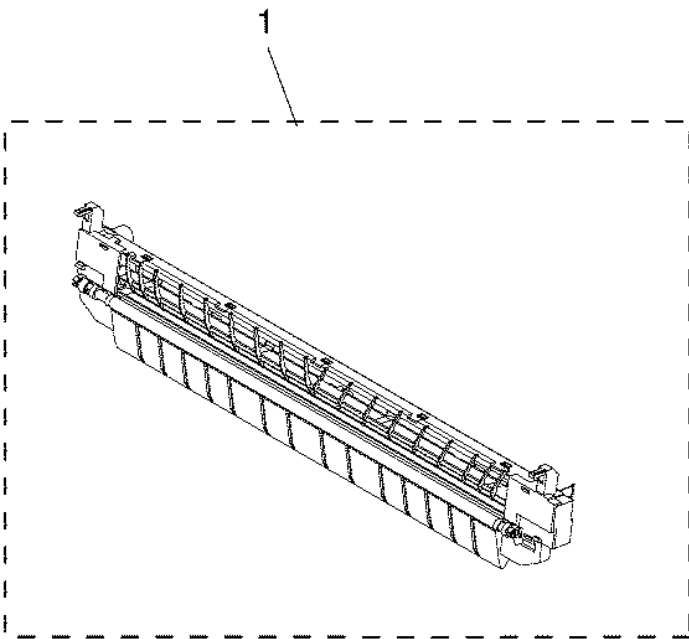


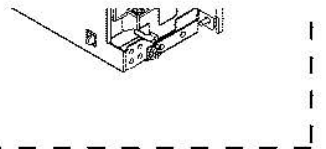
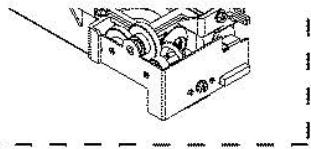
Model:

Page:

Issue  
Date:

Item No.	Parts No.	Parts Name	QTY / Unit	QTY / Pack	Part remarks	Catg.	Serial No.	P	I	R	BSI No.	Change	PC Board
1	6LA85754000	TR-CH-2320	1	1/C		USP							
2	6LA85755000	CLN/DRUM-2320	1	1/C		USP							
3	6LA85757000	DEV-UNIT-2320	1	1/S		USP							
4A	6LA85759000	FUSER-2320-115	1	1/S	NAD	USP							
4B	6LA85760000	FUSER-2320-220	1	1/S	MJD,ASD,AUD, CND,TWD	USP						To: 4C-1	
4B-1	6LA85760000	FUSER-2320-220	1	1/S	MJD,ASD,AUD, TWD	USP		-	-	-	G04K604	To: 4B-2	
4B-2	6LA85760000	FUSER-2320-220	1	1/S	MJD,ASD,AUD, TWD,KRD	USP		-	-	-	G04L674	From: 4B-1	
4C-1	6LA85770000	FUSER-2320-CND	1	1/S	CND	USP		A	-	J	G04K604	To: 4C-2	



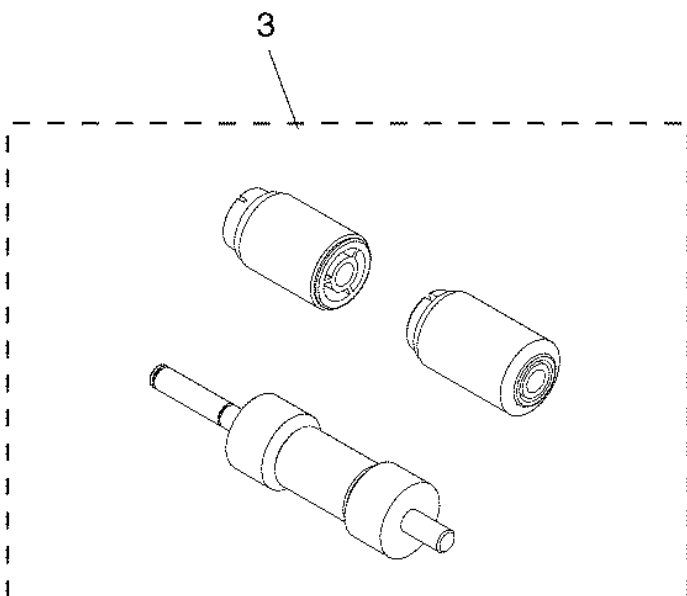
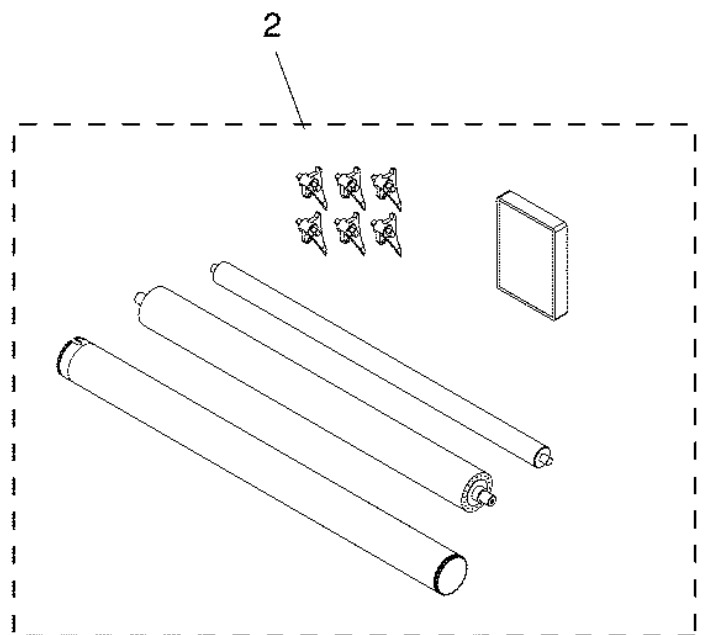
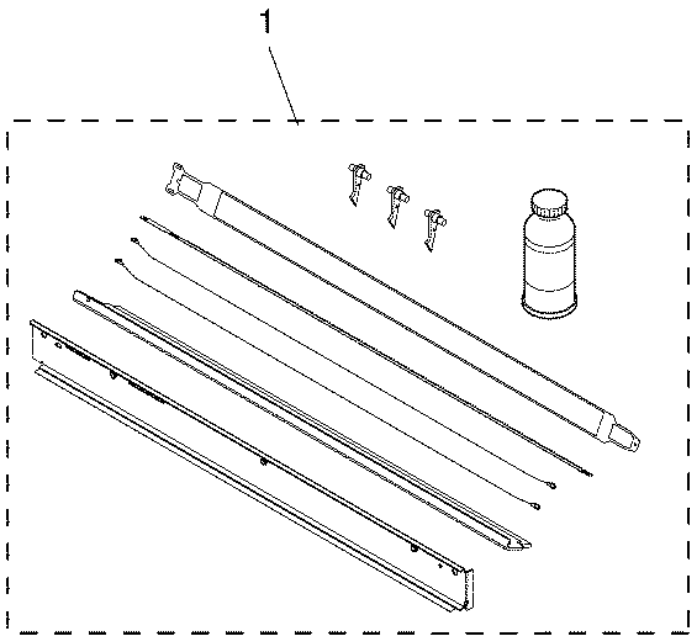


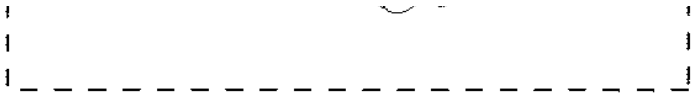
Model:

Page:

Issue  
Date:

Item No.	Parts No.	Parts Name	QTY / Unit	QTY / Pack	Part remarks	Catg.	Serial No.	P	I	R	BSI No.	Change	PC Board
1	6LA85750000	DEV-KIT-2320	1	1/S		KIT							
2	6LA85752000	FR-KIT-2320	1	1/S		KIT						To: 2B	
3	41303640000	ROL-KIT-16CST	1	1/S		KIT							







Model:

Page:

Issue  
Date:

Item No.	Parts No.	Parts Name	QTY / Unit	QTY / Pack	Part remarks	Catg.	Serial No.	P	I	R	BSI No.	Change	PC Board
1	6AG00000367	KE-2330	1	SUPPLY	ASD, e-STUDIO200L	OPT		-	-	-	G04I476		
11	6LA60646000	COVER-CSSTT	1	1/PP	ASD, e-STUDIO200L			-	-	-	G04I476	To: 11-1	
11-1	6LE40923000	COVER-CSSTT	1	1/PP				C	E	J	G05D849	From: 11	
12	6LA60647000	COVER-CSSTT-HNDL	1	1/PP	ASD, e-STUDIO200L			-	-	-	G04I476	To: 12-1	
12-1	6LE40920000	COVER-CSSTT-HNDL	1	1/PP				C	E	J	G05D849	From: 12	
13	6LA08917000	S/TPP/HEX-3*8-NI	5	10/P	ASD, e-STUDIO200L			-	-	-	G04I476	To: 13-1	
13-1	6LA08917000	S/TPP/HEX-3*8-NI	3	10/P				B	-	E	G05D854	To: 13-2	
13-2	X0-02247000	S/TPP/FH/FEXM-3X8-NI	3	10/P	ASD, e-STUDIO200L			B	-	E	G05E930	From: 13-1	
14	6LA79206000	BRKT-COVER-CSSTT-L	1	1/P	ASD, e-STUDIO200L			-	-	-	G04I476		
15	6LA79207000	BRKT-COVER-CSSTT-R	1	1/P	ASD, e-STUDIO200L			-	-	-	G04I476		
16	6LA79204000	SHEET-HIDE-SIZE	1	1/KP	ASD, e-STUDIO200L			-	-	-	G04I476		
17	6LA08916000	S/TPP/HEX-3X6-NI	4	10/P	ASD, e-STUDIO200L			-	-	-	G04I476	To: 17-1	
17-1	X0-02246000	S/TPP/FH/FEXM-3X6-NI	4	10/P	ASD, e-STUDIO200L			C	E	F	G05E930	From: 17	

