

TOSHIBA

SERVICE PARTS LIST

MULTIFUNCTIONAL DIGITAL SYSTEMS

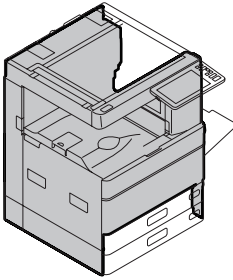
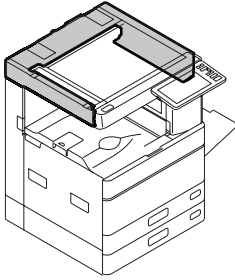
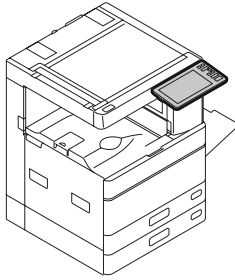
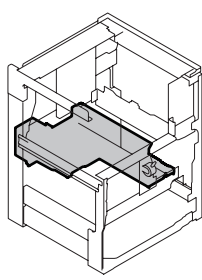
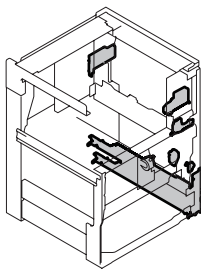
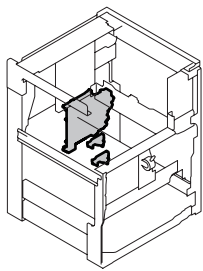
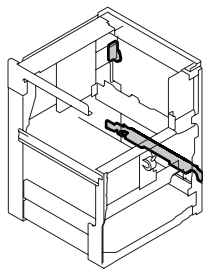
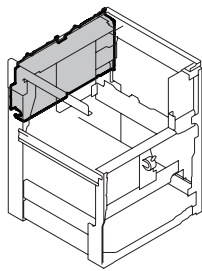
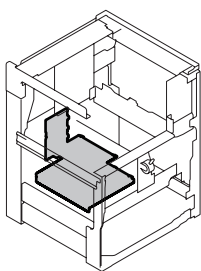
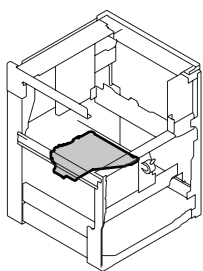
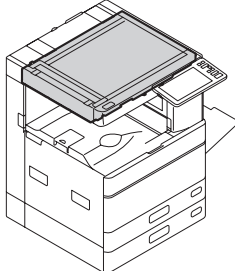
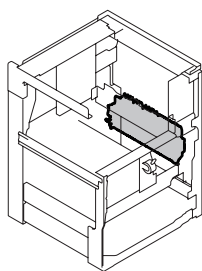
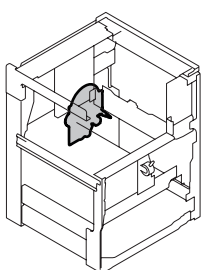
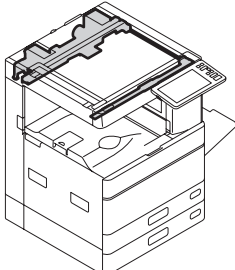
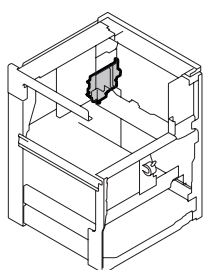
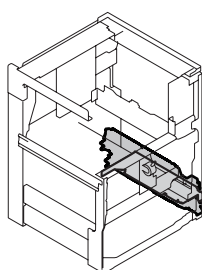
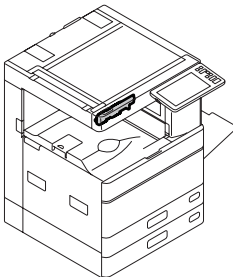
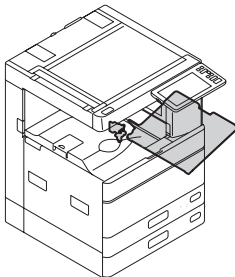
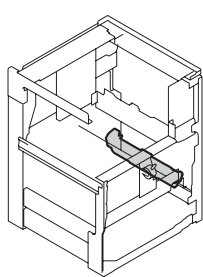
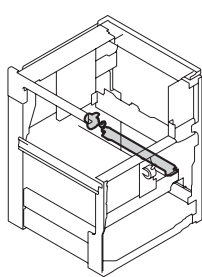
**e-STUDIO2008A/
2508A/3008A/
3508A/4508A/
5008A**

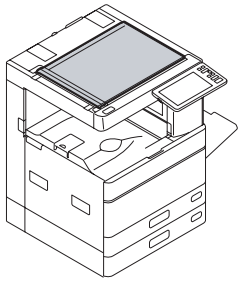
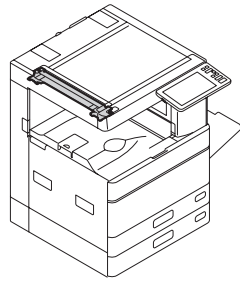
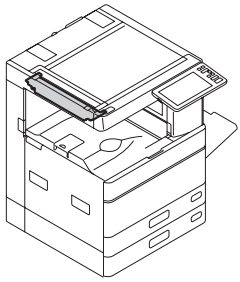
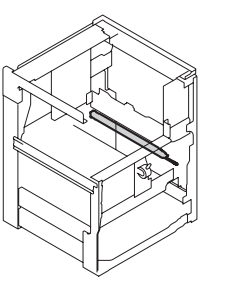
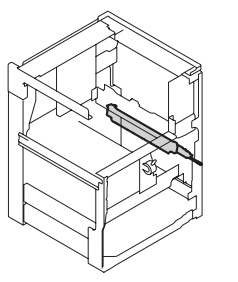
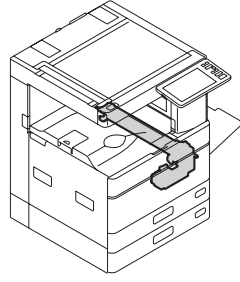
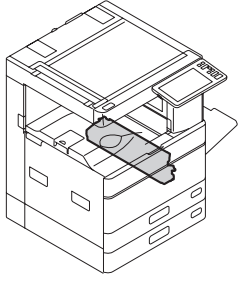
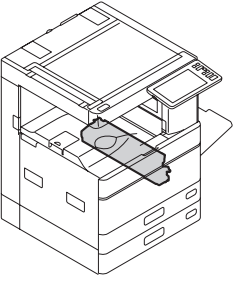
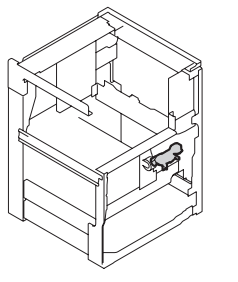
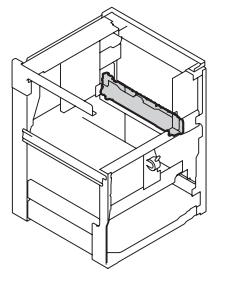
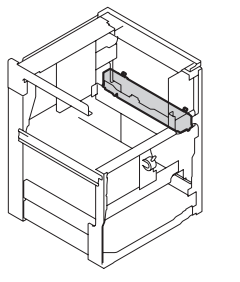
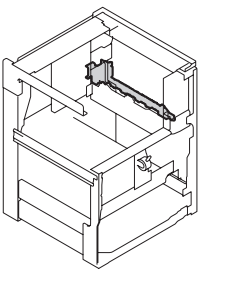
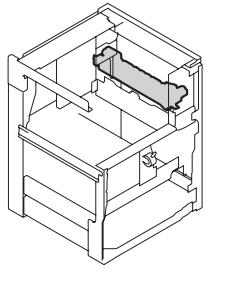
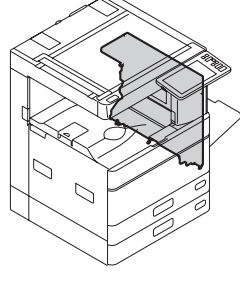
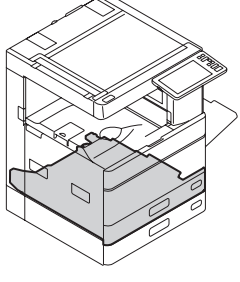
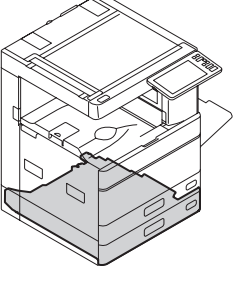
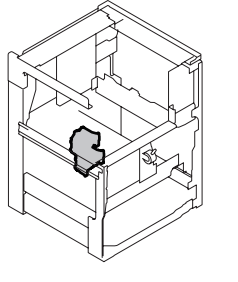
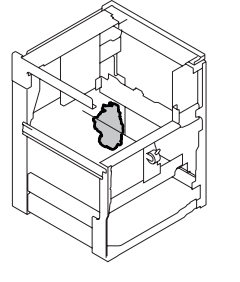
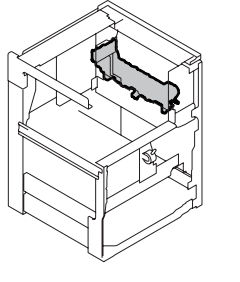
© 2016 TOSHIBA TEC CORPORATION All rights reserved

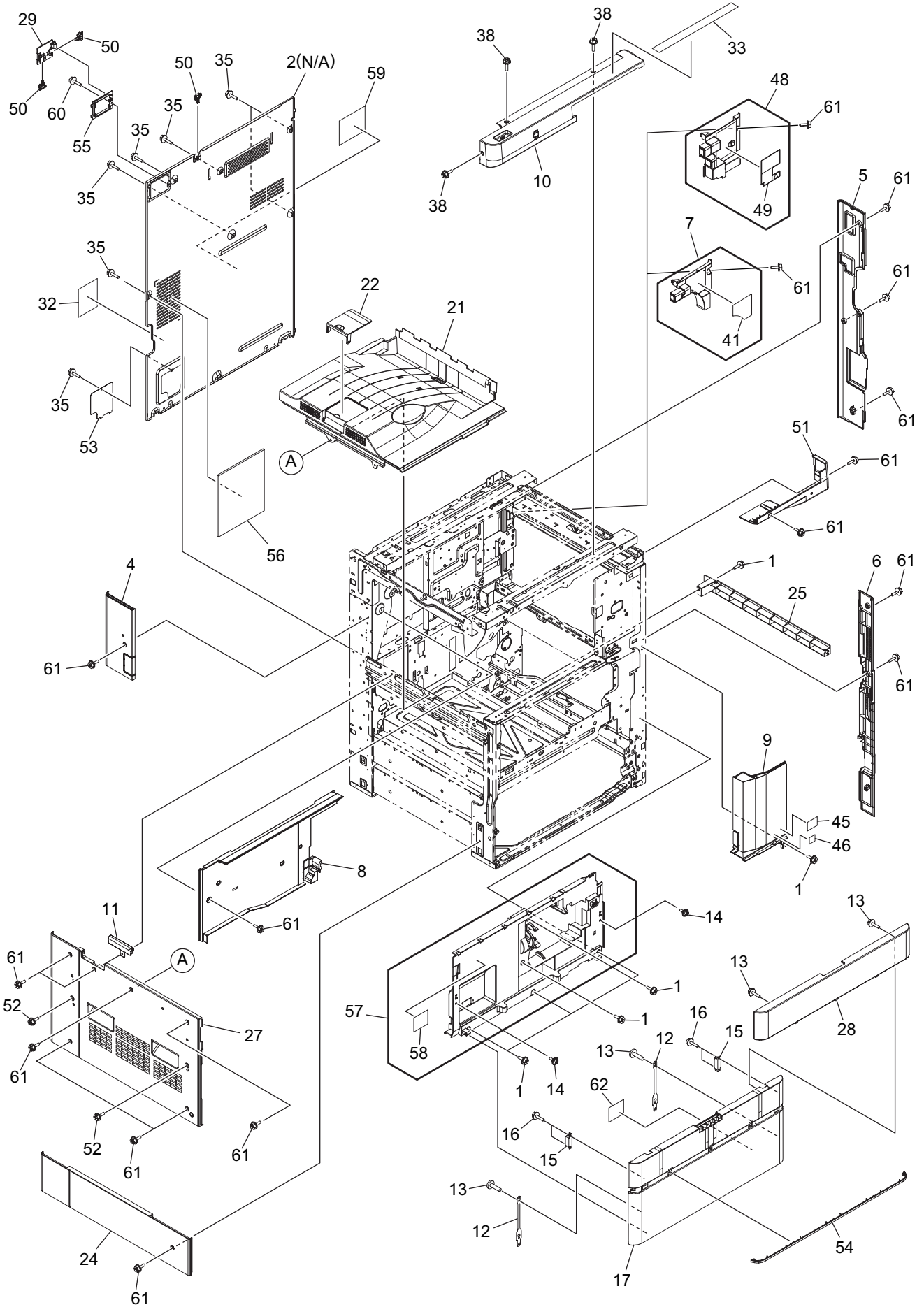
Under the copyright laws, this manual cannot be reproduced in any form without prior written permission of TOSHIBA TEC CORPORATION. No patent liability is assumed, however, with respect to the use of the information contained herein.

CONTENTS

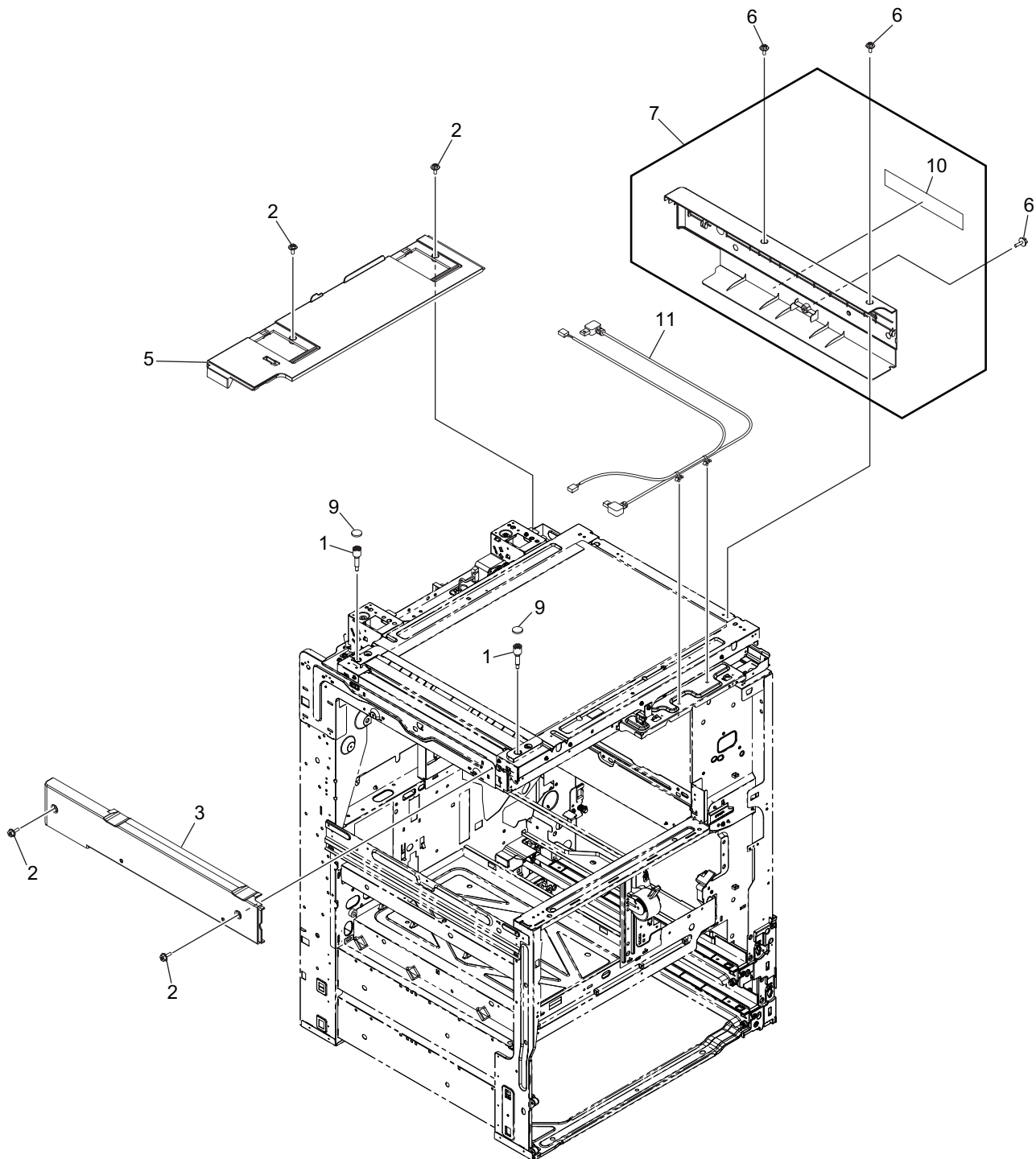
COVER-1-ASY.....	1	JIGS & GREASE.....	101
COVER-2-ASY.....	2	SUPPLIES.....	102
CONTROL-PANEL-ASY.....	3	REPLACE UNIT.....	103
BASE-FRAME-ASY.....	4	PM-KIT.....	104
FRONT-FRAME-ASY.....	5		
REAR-FRAME-1-ASY.....	6		
REAR-FRAME-2-ASY.....	7		
CASE-SYS-LGC-ASY.....	8		
ELECTRIC-ASY.....	9		
LASER-OPTICAL-UNIT-ASY.....	10		
OPTICAL-FRAME-ASY.....	11		
SIDE-DUCT-ASY.....	12		
MAIN-DRIVE-ASY.....	13		
OPTICAL-DRIVE.....	14		
DRIVE-FUSER-ASY.....	15		
FEEDER-ASY.....	16		
HUB-ASY.....	17		
BYPASS-ASY.....	18		
BYPASS-FEEDER-ASY.....	19		
GUIDE-RGST-ASY.....	20		
GLASS-ASY.....	21		
CRG-1-ASY.....	22		
CRG-2-ASY.....	23		
MAIN-CHARGER-ASY.....	24		
TRANSPORT-CHARGER-ASY.....	25		
CLEANER-ASY.....	26		
DEVELOPER-ASY-1.....	27		
DEVELOPER-ASY-2.....	28		
RECYCLE-ASY.....	29		
FUSER-ASY-1.....	30		
FUSER-ASY-2.....	31		
FUSER-ASY-3.....	32		
ADU-1-ASY.....	33		
ADU-2-ASY.....	34		
DRAWER-ASY-1.....	35		
DRAWER-ASY-2.....	36		
TRAYUP-MOT-ASY.....	37		
FEEDER-DRIVE-ASY.....	38		
EXIT-ASY.....	39		

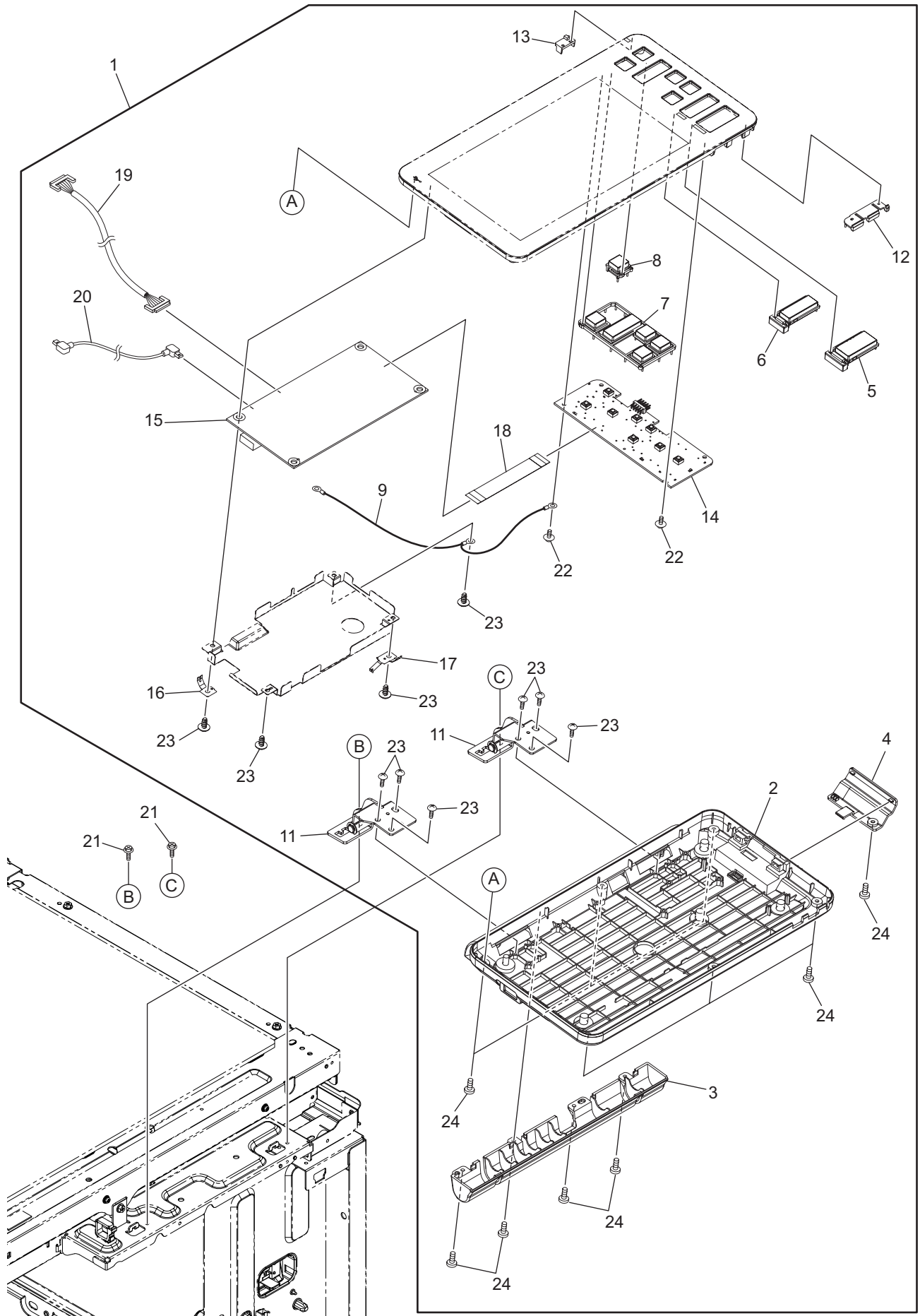
<p>1. COVER-1-ASY</p> 	<p>2. COVER-2-ASY</p> 	<p>3. CONTROL-PANEL-ASY</p> 	<p>4. BASE-FRAME-ASY</p> 
<p>5. FRONT-FRAME-ASY</p> 	<p>6. REAR-FRAME-1-ASY</p> 	<p>7. REAR-FRAME-2-ASY</p> 	<p>8. CASE-SYS-LGC-ASY</p> 
<p>9. ELECTRIC-ASY</p> 	<p>10. LASER-OPTICAL-UNIT-ASY</p> 	<p>11. OPTICAL-FRAME-ASY</p> 	<p>12. SIDE-DUCT-ASY</p> 
<p>13. MAIN-DRIVE-ASY</p> 	<p>14. OPTICAL-DRIVE</p> 	<p>15. DRIVE-FUSER-ASY</p> 	<p>16. FEEDER-ASY</p> 
<p>17. HUB-ASY</p> 	<p>18. BYPASS-ASY</p> 	<p>19. BYPASS-FEEDER-ASY</p> 	<p>20. GUIDE-RGST-ASY</p> 

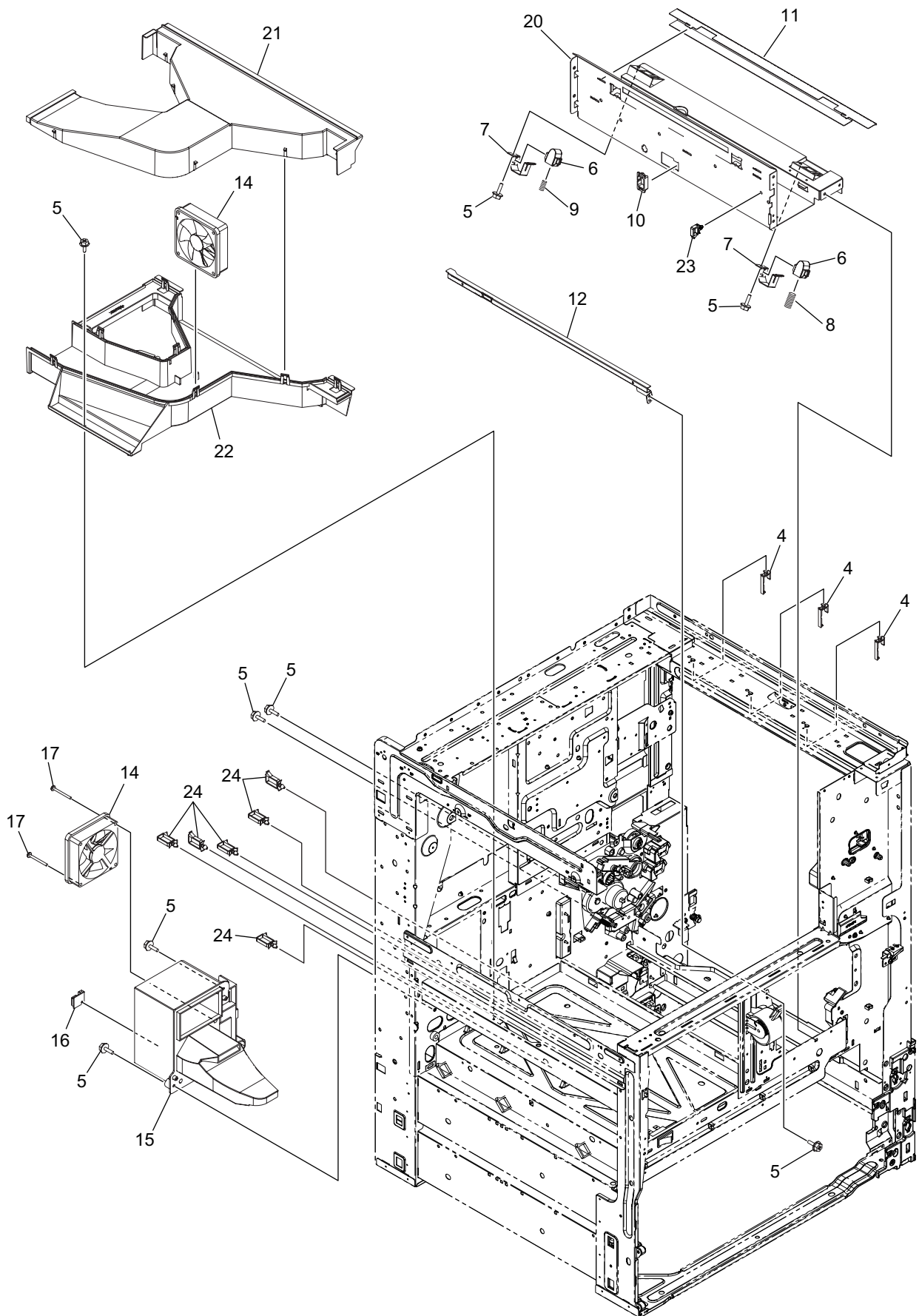
<p>21. GLASS-ASY</p> 	<p>22. CRG-1-ASY</p> 	<p>23. CRG-2-ASY</p> 	<p>24. MAIN-CHARGER-ASY</p> 
<p>25. TRANSPORT-CHARGER-ASY</p> 	<p>26. CLEANER-ASY</p> 	<p>27. DEVELOPER-ASY-1</p> 	<p>28. DEVELOPER-ASY-2</p> 
<p>29. RECYCLE-ASY</p> 	<p>30. FUSER-ASY-1</p> 	<p>31. FUSER-ASY-2</p> 	<p>32. FUSER-ASY-3</p> 
<p>33. ADU-1-ASY</p> 	<p>34. ADU-2-ASY</p> 	<p>35. DRAWER-ASY-1</p> 	<p>36. DRAWER-ASY-2</p> 
<p>37. TRAYUP-MOT-ASY</p> 	<p>38. FEEDER-DRIVE-ASY</p> 	<p>39. EXIT-ASY</p> 	

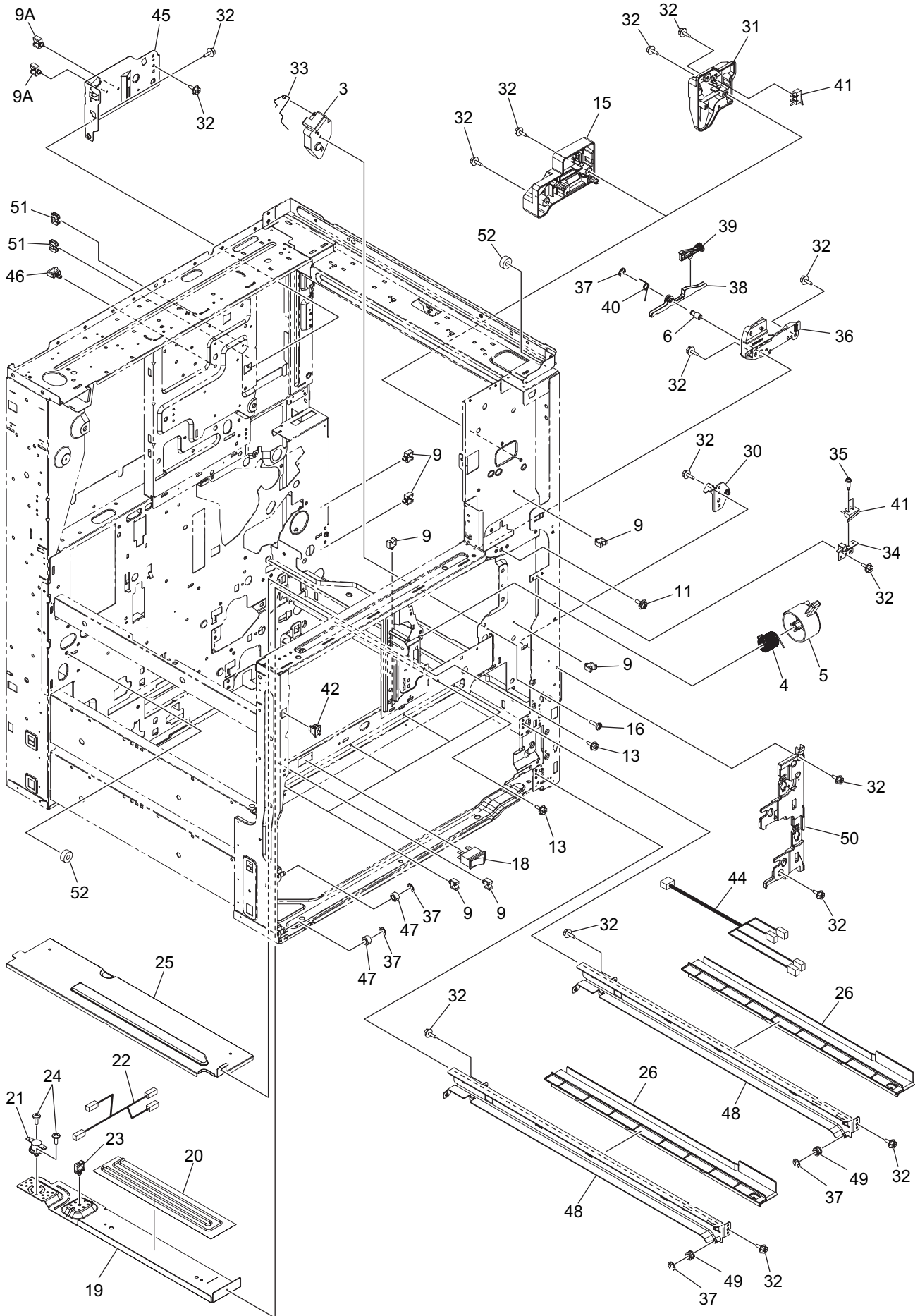


ITEM No.	PART No.	PART NAME	Q'TY / PAGE	Q'TY / PACK	REMARKS
1	X0-02420000	S/TPS/FHEXM/R-3X8-ZU3	7	10/P	
2	6LK66503000	COVER-REAR-H41X	1	N/A***	
4	6LK48707000	COVER-LEFT-REAR-H370	1	1/PP	
5	6LK66500000	COVER-RIGHT-REAR-H41X	1	1/PP	
6	6LK48708000	COVER-FRT-PILLAR-R-H373	1	1/PP	
7 A	6LK48747000	ASYS-COV-FUS-R-H373	1	1/PP	eS3508A/4508A/5008A except CND,CNS
7 B	6LK48747100	ASYS-COV-FUS-R-H373_C	1	1/PP	eS3508A/4508A/5008A CND,CNS
8 A	6LJ53707600	COVER-TRAY-BACK-H370	1	1/PP	eS2008A/2508A/3008A
8 B	6LJ53707700	COVER-TRAY-BACK-H373	1	1/PP	eS3508A/4508A/5008A
9	6LK48705000	COVER-FRT-PILLAR-H370	1	1/PP	
10	6LK48733000	ASYS-COV-TP-FRT-H370	1	1/PP	
11	6LK48711000	COVER-LEFT-2-H370	1	1/P	
12	6LK66504000	BAND-COVER-FRT-H41X	2	1/P	
13	X0-01989000	S/TPP/BID-3X8-NI	4	10/P	
14	6LA08937000	SCREW-BKT-DEV	2	10/P	
15	F0-01394000	CA-0131B	2	1/P	
16	X0-02248000	S/TPP/FHEXM-3X10-NI	4	10/P	
17	6LK48701100	COVER-FRONT-H41X	1	1/PP	
21	6LJ53764200	COVER-TRAY-H21X-H370_B	1	1/PP	
22	6LH52423700	COVER-STOP-PAPER-470-N_B	1	1/P	
24	6LJ69439200	COVER-LEFT-PFU_B	1	1/PP	
25	6LJ69442200	COVER-R-LOW-PFU_B	1	1/PP	
27	6LK48706000	COVER-LEFT-H370	1	1/PP	
28 A	6LK66510000	ASYS-COV-DECO-2008A	1	1/P	eS2008A
28 B	6LK66510100	ASYS-COV-DECO-2508A	1	1/P	eS2508A
28 C	6LK66510200	ASYS-COV-DECO-3008A	1	1/P	eS3008A
28 D	6LK66510300	ASYS-COV-DECO-3008AG	1	1/P	eS3008A CNS
28 E	6LK66510400	ASYS-COV-DECO-3508A	1	1/P	eS3508A
28 F	6LK66510500	ASYS-COV-DECO-3508AG	1	1/P	eS3508A CNS
28 G	6LK66510600	ASYS-COV-DECO-4508A	1	1/P	eS4508A
28 H	6LK66510700	ASYS-COV-DECO-4508AG	1	1/P	eS4508A CNS
28 I	6LK66510800	ASYS-COV-DECO-5008A	1	1/P	eS5008A
29	6LK48725000	COVER-DF_FIN-CNT-H370	1	1/P	
32 A	44204604000	LBL-SERVICE-45	1	5/P	NAD,ARD,ASD,AUD
32 B	6LA56227000	LBL-SERVICE-45C	1	5/KP	CND,CNS
32 C	6LK54463000	LBL-SERVICE-CABLE-N	1	1/KP	MJD
33 A	6LK54440000	LBL-PROHIBIT-C-H37X	1	1/KP	CND,CNS
33 B	6LK54438000	LBL-PROHIBIT-E-H37X	1	1/KP	ARD,ASD,AUD,MJD
33 C	6LK54437000	LBL-PROHIBIT-U-H37X	1	1/KP	NAD
35	X0-02230000	S/FHEXM-M3X6-NI	7	10/P	
38	X0-02672000	S/FHEXM-M3X8-ZB3	3	10/P	
41 A	6LK52338000	LBL-HOT-H373	1	1/P	eS3508A/4508A/5008A NAD,ARD,ASD,AUD,MJD
41 B	6LK52339000	LBL-HOT-H373-C	1	1/P	eS3508A/4508A/5008A CND,CNS
45 A	6LK54442000	LBL-E-BRIDGE-BK	1	1/P	
46 A	6LJ84150000	LBL-ENERGY-T-PP-16	1	5/P	
48 A	6LK48737200	ASYS-COV-FUS-R-H410	1	1/PP	eS2008A/2508A/3008A except CND,CNS
48 B	6LK48737300	ASYS-COV-FUS-R-H410_C	1	1/PP	eS2508A/3008A CND,CNS
49 A	6LK52027000	LBL-HOT-H370	1	1/P	eS2008A/2508A/3008A NAD,ARD,ASD,AUD,MJD
49 B	6LK52028000	LBL-HOT-H370-C	1	1/P	eS2008A/2508A/3008A CND,CNS
50	6LK48727000	COVER-DF-SUB-H373	3	1/P	
51	6LK48736000	COV-FRT-PILLAR-U	1	1/PP	
52	X0-02678000	S/TPS/FHEXM/R-4X8-ZB3	2	10/P	
53	6LJ69458000	LID-REAR-PFU	1	1/P	
54	6LK48703000	COVER-RIM-H370	1	1/PP	
55	6LK48726000	COVER-INNER-DF-FIN	1	1/P	
56	6LH54675000	FILTER-COV-REAR	1	1/KP	
57 A	6LK66512100	ASYS-COV-INNER-F-H41X-CND	1	1/P	CND,CNS
57 B	6LK66512300	ASYS-COV-INNER-F-H41X-WW	1	1/P	NAD,ARD,ASD,AUD,MJD
58 A	6LJ83461000	LBL-CAU-LASER	1	1/P	NAD,ARD,ASD,AUD,MJD
58 B	6LJ83375000	LBL-CAU-LASER-CND	1	1/P	CND,CNS
59 A	6LA56226000	LBL-LASER-C	1	5/KP	CND,CNS
59 B	6LA47529000	LBL-LASER	1	1/KP	NAD,ARD,ASD,AUD,MJD
60	X0-02671000	S/FHEXM-M3X6-ZB3	1	10/P	

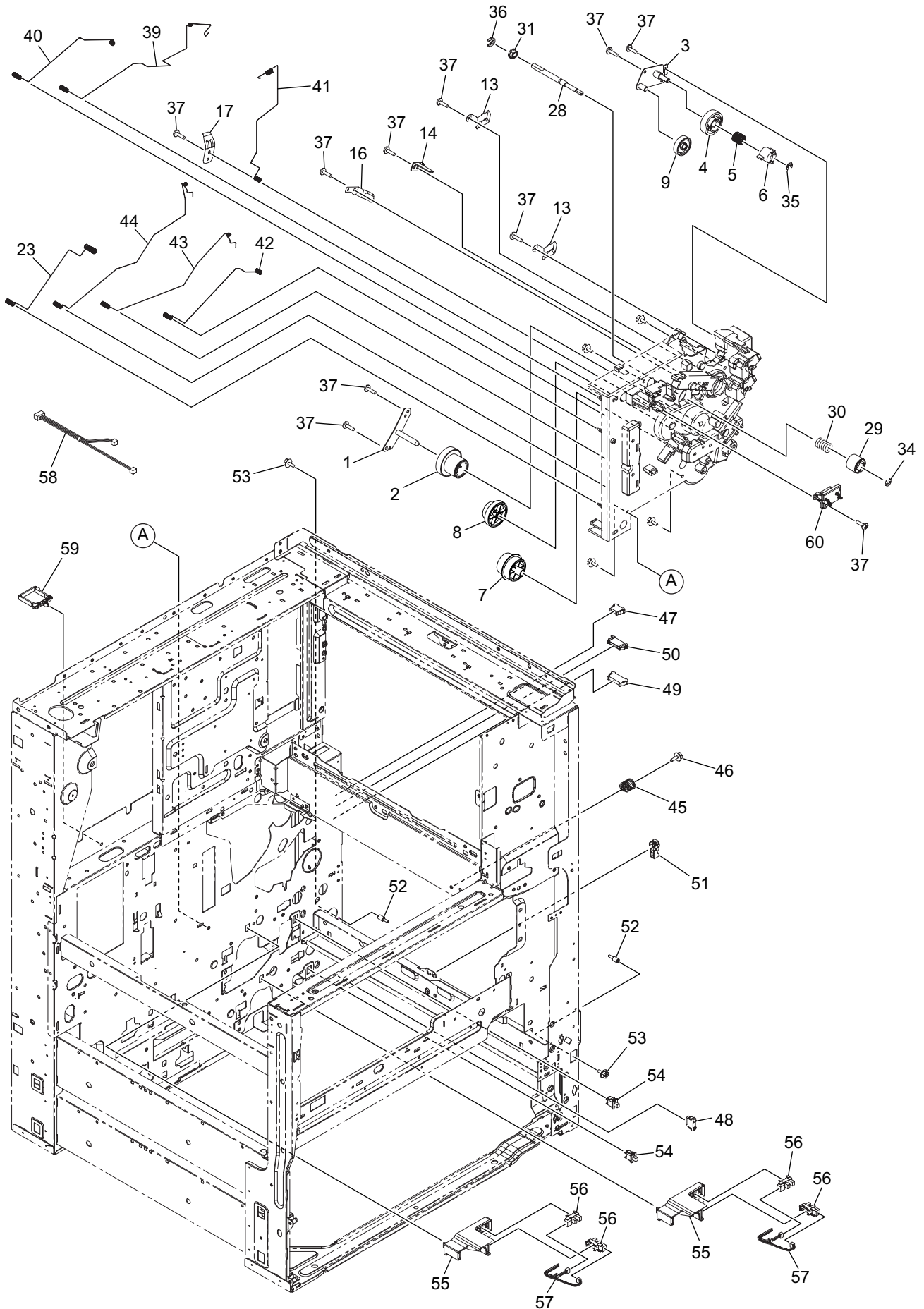




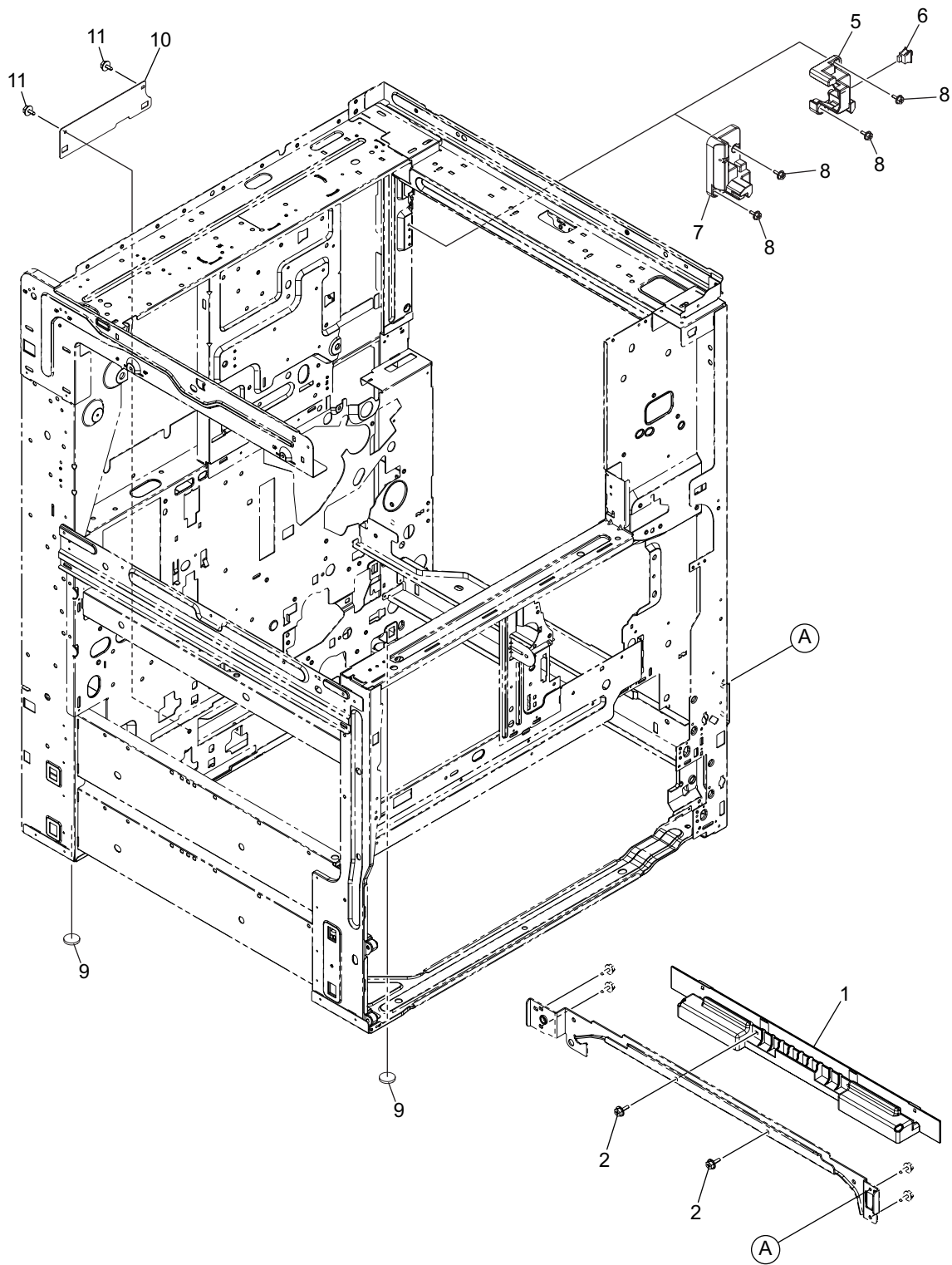


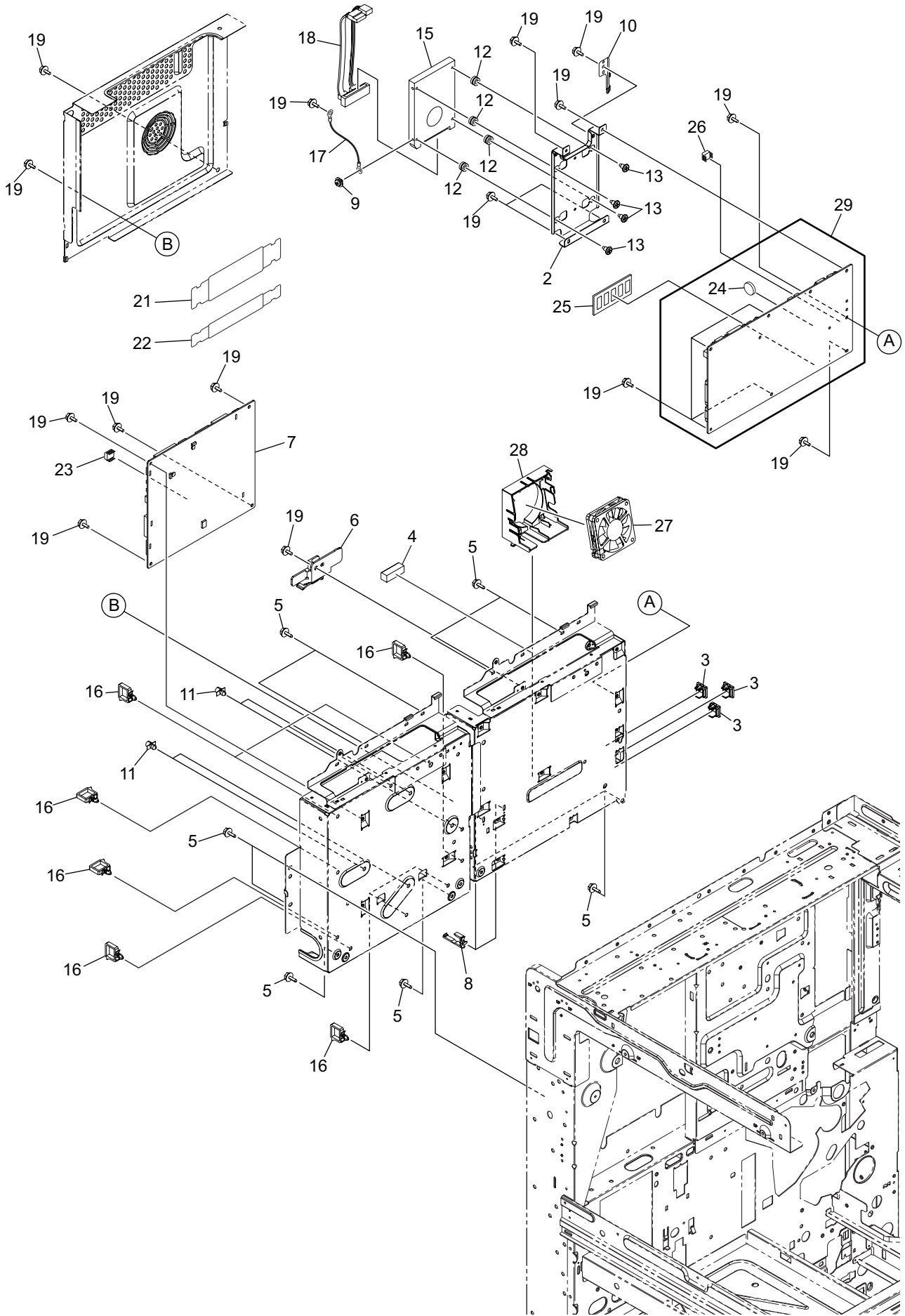


ITEM No.	PART No.	PART NAME	Q'TY / PAGE	Q'TY / PACK	REMARKS
3	6LK68900000	BUSH-RGST-BIAS-H41X	1	1/P	
4	6LH54643000	SPG-LEVER-TNR-C	1	1/P	
5	6LH54641100	LEVER-TNR-C-16X	1	1/P	
6	6LJ58074000	STUD-LVR-LOCK-F	1	1/P	
9 A	F0-01250000	MSB-1207	12	5/P	
9 B	F0-01250000	MSB-1207	10	5/P	
11	X0-00077000	S/PAN/SWWP-M3X8-NI	1	10/P	
13 A	X0-02593000	S/TPD3/FHEXM-3X8-ZU3	2	10/P	ARD,ASD,AUD,CND,CNS
13 B	X0-02593000	S/TPD3/FHEXM-3X8-ZU3	1	10/P	
15 A	6LJ52395100	HOLD-ADU-HOOK-F-H370	1	1/P	eS2008A/2508A/3008A
16	6LA80090000	S/TPP/BID-3*8-NI	1	5/P	
18	E0-14534000	CF-LA-2KZ2-1C	1	1/C	
19 B	6LH54692000	BRKT-DHTR-DRUM-470	1	1/P	ARD,ASD,AUD,CND,CNS
20 B	6LE64030000	HEATER-D-DRM-280E	1	1/C	ARD,ASD,AUD,CND,CNS
21 B	6LE09486000	THRMST-CS-7L	1	1/D	ARD,ASD,AUD,CND,CNS
22 B	6LH61369000	HRNS-D/H-DRM-471	1	1/P	ARD,ASD,AUD,CND,CNS
23 B	F0-00024000	LWS-1U	1	5/P	ARD,ASD,AUD,CND,CNS
24 B	X0-02069000	S/TPS/BID-3X6-ZU3	2	10/P	ARD,ASD,AUD,CND,CNS
25	6LH54655000	COVER-DHTR	1	1/P	
26	6LK50704000	RAIL-FEED-UNIT-L-H373	2	1/PP	
30	6LJ57337100	ASYB-HINGE-F_B	1	1/P	
31 A	6LJ52415100	HOLD-ADU-HOOK-F-H373	1	1/P	eS3508A/4508A/5008A
32	X0-02420000	S/TPS/FHEXM/R-3X8-ZU3	14	10/P	
33	6LK68903000	SPG-BIAS-TR-F	1	1/P	
34	6LK67842000	BRKT-INTERLOCK-SW-H41X	1	1/P	
35	44204394000	SCREW20*D23	2	10/P	
36	6LK67830000	GUIDE-RAIL-FUS-F-H41X	1	1/P	
37	X0-00966000	RR/E-5-SS	5	10/P	
38	6LJ58004000	LVR-FUSER-LOCK-2	1	1/P	
39	6LJ58011200	COVER-LVR-LOCK_G	1	1/P	
40	6LK67831000	SPG-LOCK-FUS-F	1	1/P	
41	E0-15604000	DE2L-BALGY	2	1/D	
42	E0-01853000	CS1A-B2CA	1	1/D	
44	6LK72433000	HRNS-LVPS-INLCSW-H410	1	1/P	
45	6LK67819000	BEAM-FUS-DRV-F-H41X	1	1/P	
46	F0-01811000	LWS-0711S-V0	1	5/P	
47	6LJ69393000	ROLL-RAIL-CST-H21X-2	2	1/P	
48	6LK50737000	ASYS-RAIL-CST-RIGHT-H373	2	1/PP	
49	6LJ69392000	ROLL-RAIL-CST-H21X-1	2	1/P	
50	6LJ53749000	COV-FRT-PILLAR-CST-H21Y	1	1/P	
51	F0-02296000	ES-0505-2	2	5/P	
52	6LE25210000	CUSH-FRM-SCREW-380	2	1/P	

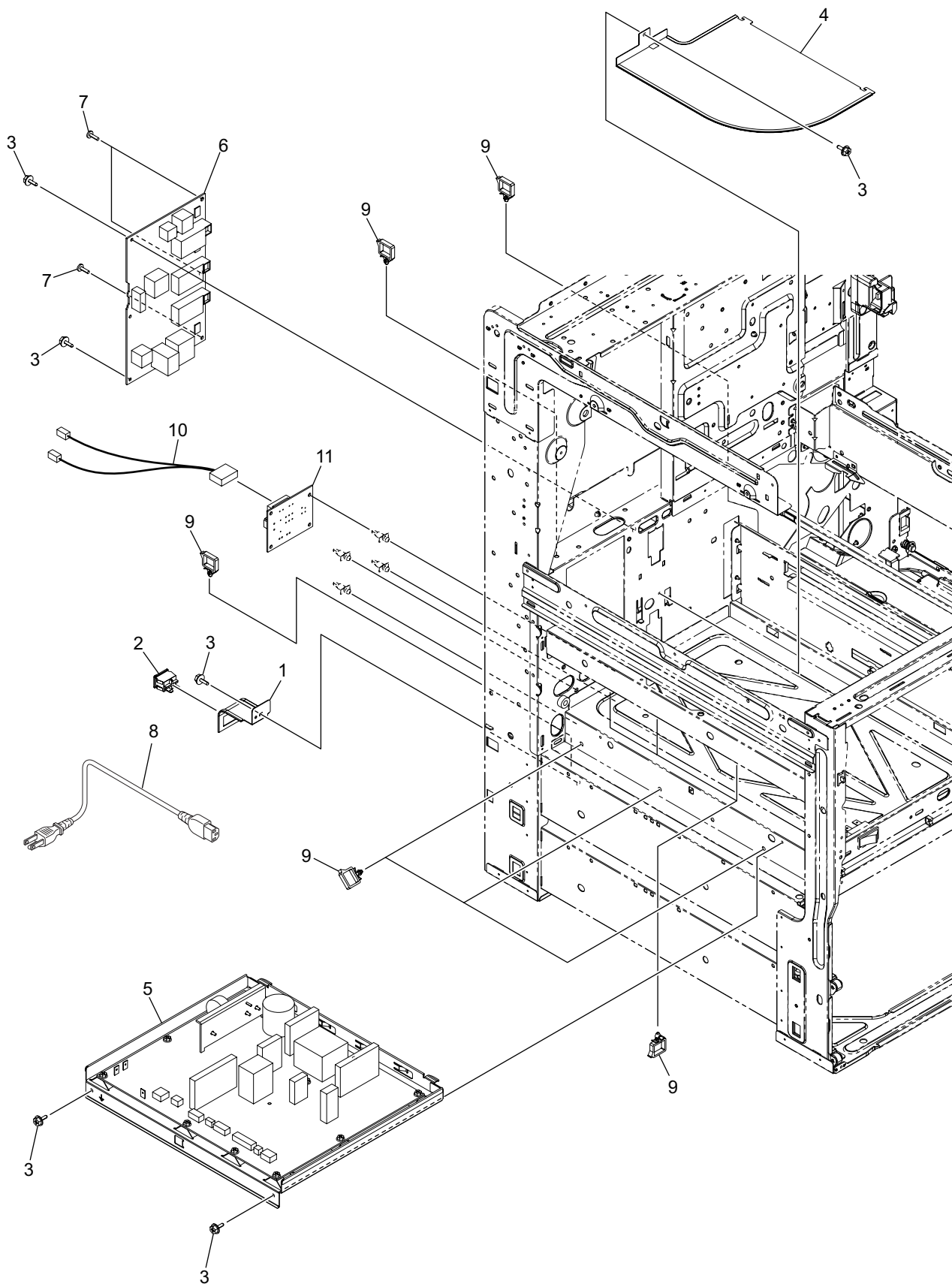


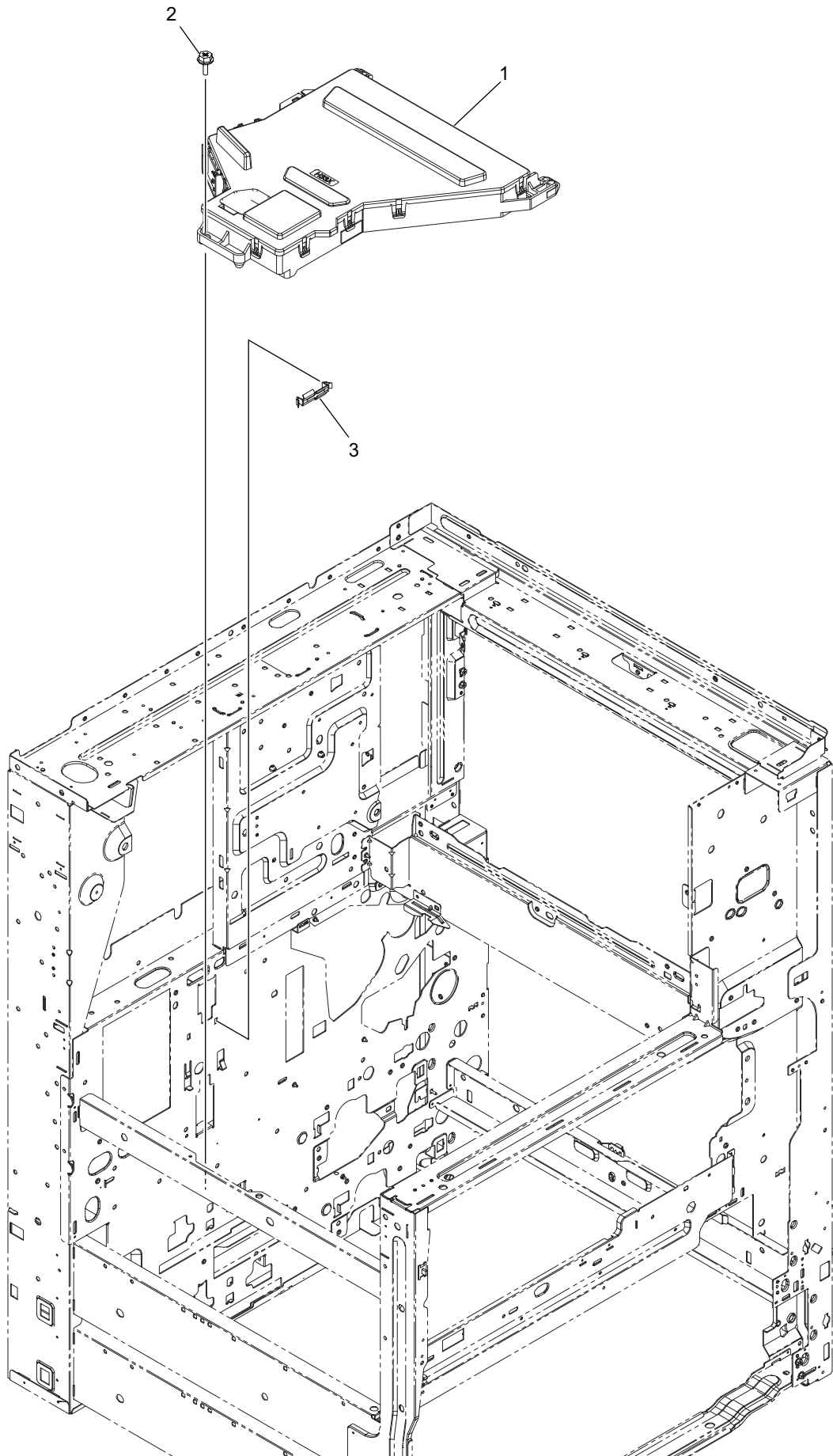
ITEM No.	PART No.	PART NAME	Q'TY / PAGE	Q'TY / PACK	REMARKS
1	6LK67213000	ASYS-PLT-DRV-DEV	1	1/P	
2	6LH53715000	GEAR-8H43_10S22-6	1	1/P	
3	6LK67210000	ASYS-BRKT-DRV-CLN	1	1/P	
4	6LA82294000	GEAR-10H29-6-CLN	1	1/P	
5	6LE85352000	SPG-DRV-CLN	1	5/P	
6	6LA82296000	CPG-DRV-CLN	1	1/P	
7	6LK67216000	GEAR-10S29_8H31-6	1	1/P	
8 A	6LK67215000	GEAR-10S23_10S33-6	1	1/P	eS2508A
8 B	6LK67217000	GEAR-10S37_8H34-6	1	1/P	eS3508A/4508A/5008A
9	6LK67209000	GEAR-10H23-6	1	1/P	
13	6LH57331000	PLT-TRU	2	1/D	
14	6LK67218000	PLT-CH-M	1	1/P	
16	6LE86050000	SPL-GRID	1	1/P	
17	6LE56606000	SPL-BIAS-RGST	1	1/C	
23	6LK67240000	SPG-TERM-DEV	1	1/P	
28	6LH53763000	SHAFT-DRV-TNR-470	1	1/P	
29 A	6LH57004300	CPG-TC-470-E	1	1/P	MJD
29 B	6LH57004100	CPG-TC-470-D	1	1/P	ASD,AUD
29 C	6LH57004200	CPG-TC-470-U	1	1/P	NAD,ARD
29 D	6LH57004400	CPG-TC-470-C	1	1/P	CND,CNS
30	6LE56611000	SPG-DRV-TN-280	1	1/P	
31	44201492000	BUSH-6-POM	1	5/P	
34	X0-00974000	RR/E-2.5-SS	1	10/P	
35	X0-00965000	RR/E-4-SS	1	10/P	
36	4407972860	STOP-RING-6-5	1	5/P	
37	6LA80090000	S/TPP/BID-3*8-NI	10	5/P	
39	6LK67237000	SPG-CH-M	1	1/P	
40	6LK67241000	SPG-BIAS-FUS	1	1/P	
41	6LK67239000	SPG-BIAS-RGST	1	1/P	
42	6LK67238000	SPG-GRID	1	1/P	
43	6LK67260000	SPG-BIAS-TR	1	1/P	
44	6LK67261000	SPG-BIAS-TR2	1	1/P	
45	6LK67858000	SPG-E-FUS-PUSH	1	1/P	
46	X0-02420000	S/TPS/FHEXM/R-3X8-ZU3	1	10/P	
47	E0-10445000	BU04P-TZ-S (LF)(SN)	1	5/P	
48	E0-10095000	BU05P-TZ-S (LF)(SN)	1	5/P	
49	E0-10450000	BU13P-TZ-S (LF)(SN)	1	5/P	
50	E0-09932000	BU14P-TZ-S (LF)(SN)	1	5/P	
51	6LJ56357000	BUSH-ROL-6	1	1/P	
52	6LJ56356000	STUD-HOOK-COV-H21Y-N	2	1/P	
53	X0-02230000	S/FHEXM-M3X6-NI	2	10/P	
54	E0-15050000	SW1AG-550	2	1/D	
55	6LJ56265000	HOLDER-SNSR-FS-H21X_H	2	1/P	
56	C0-17839000	LG2A14BL1	4	1/C	
57	6LK45350000	HRNS-PFP-EMP-H373	2	1/P	
58	6LK72509000	HRNS-LGC-TNRM-H410	1	1/P	
59	F0-02226000	RLWC-7SV0	1	5/P	
60	6LK67256000	ASYB-HOLD-SP-TNR-H41X	1	1/C	

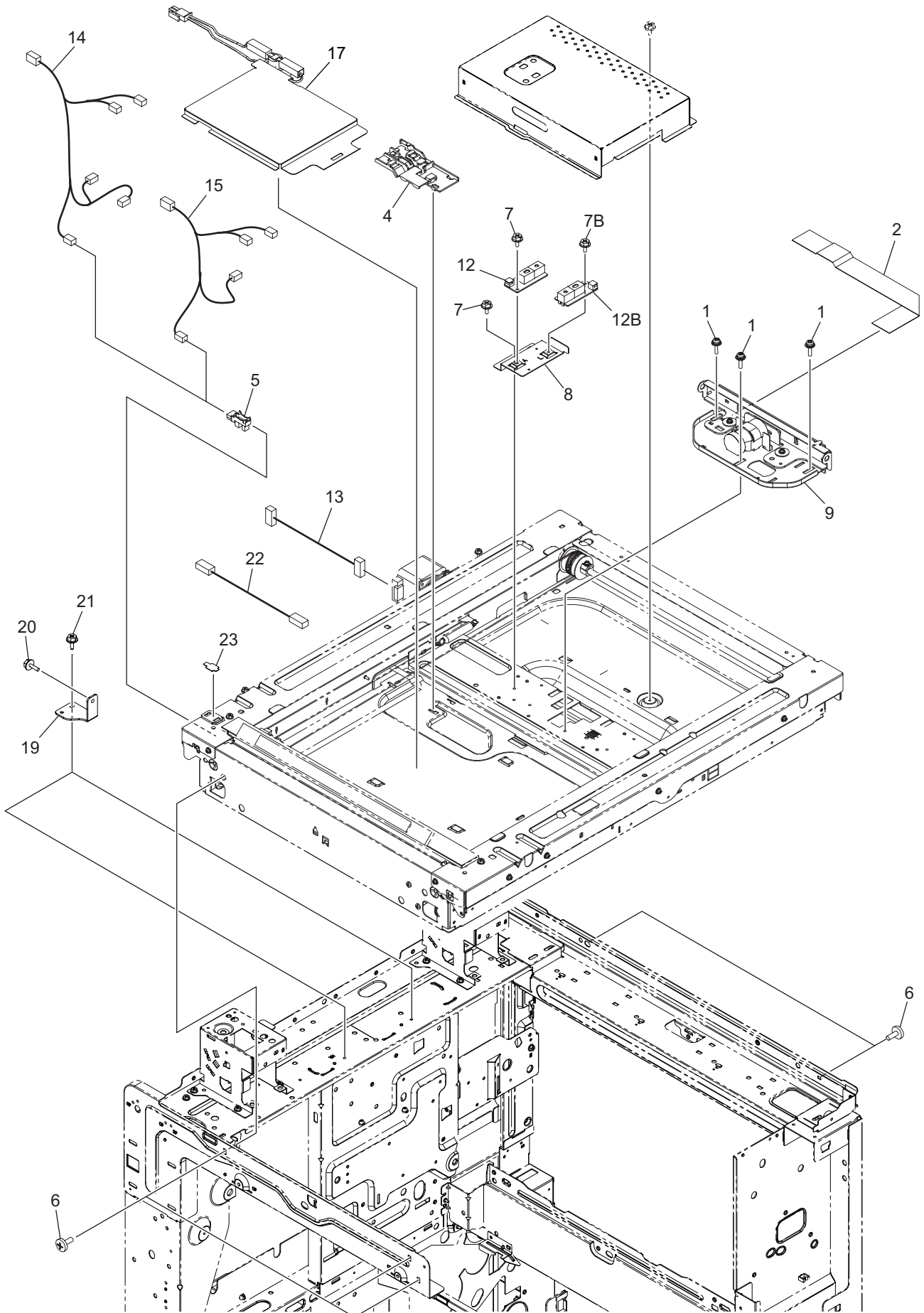


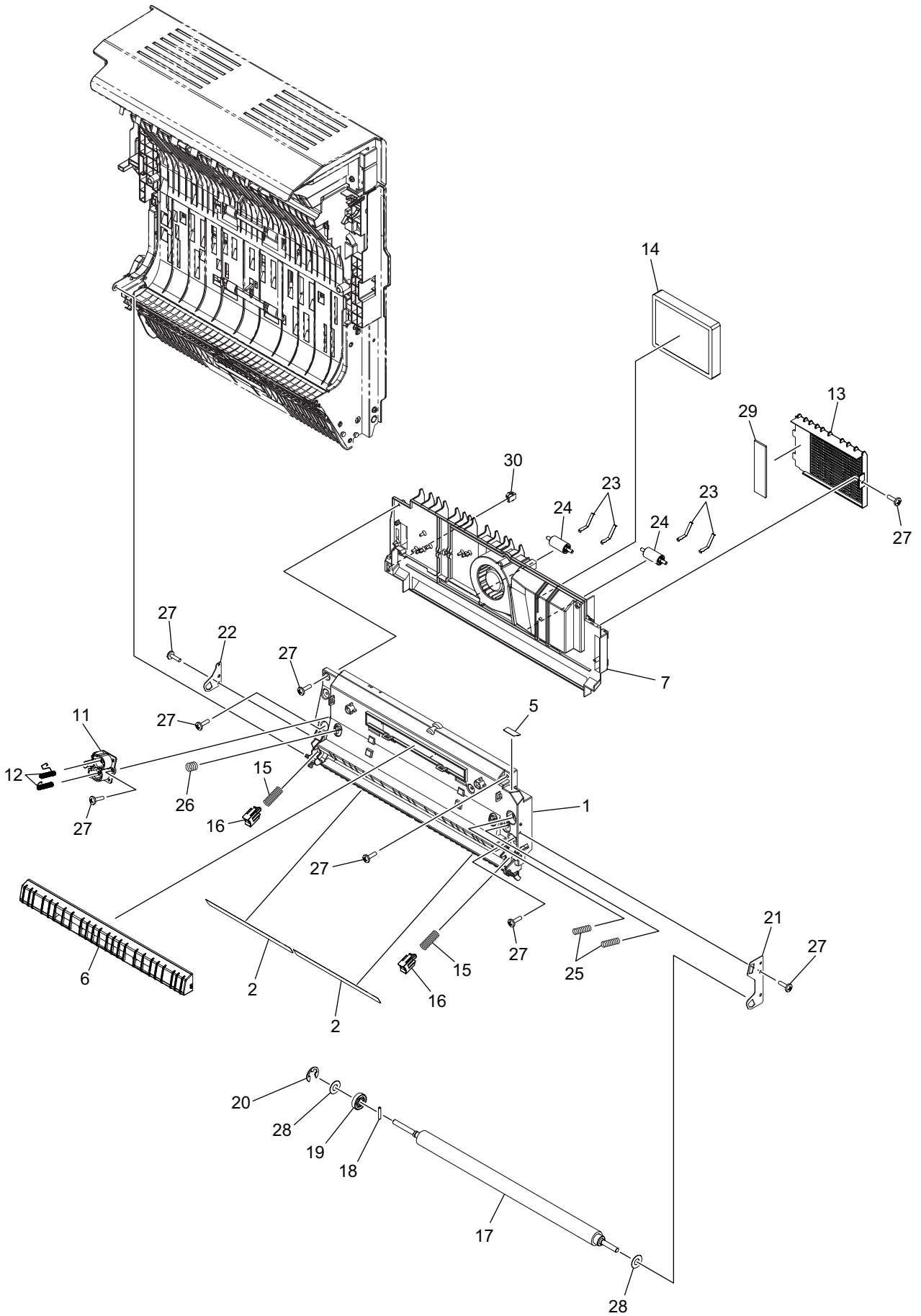


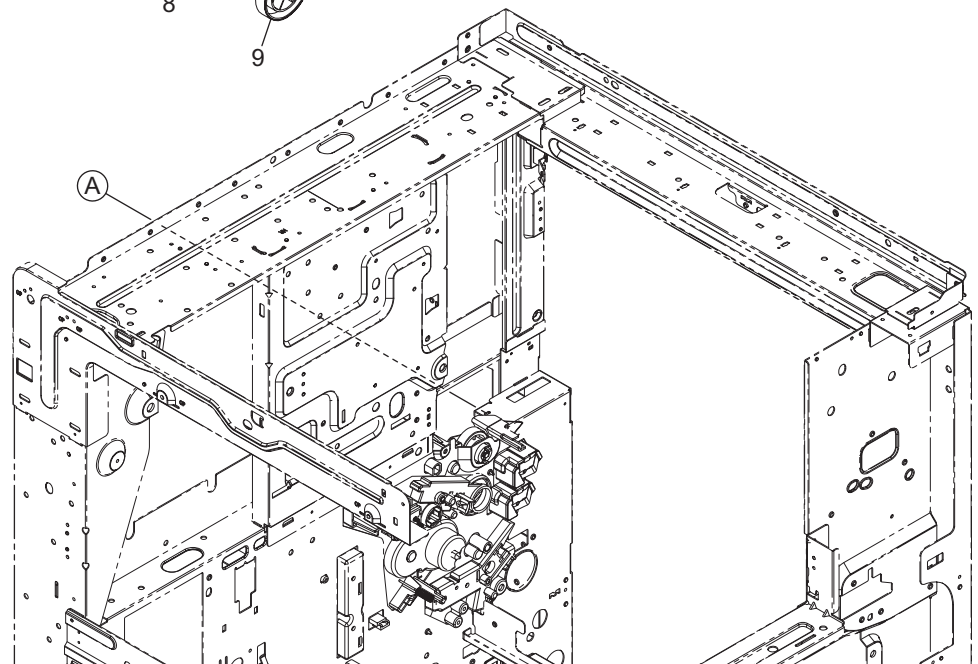
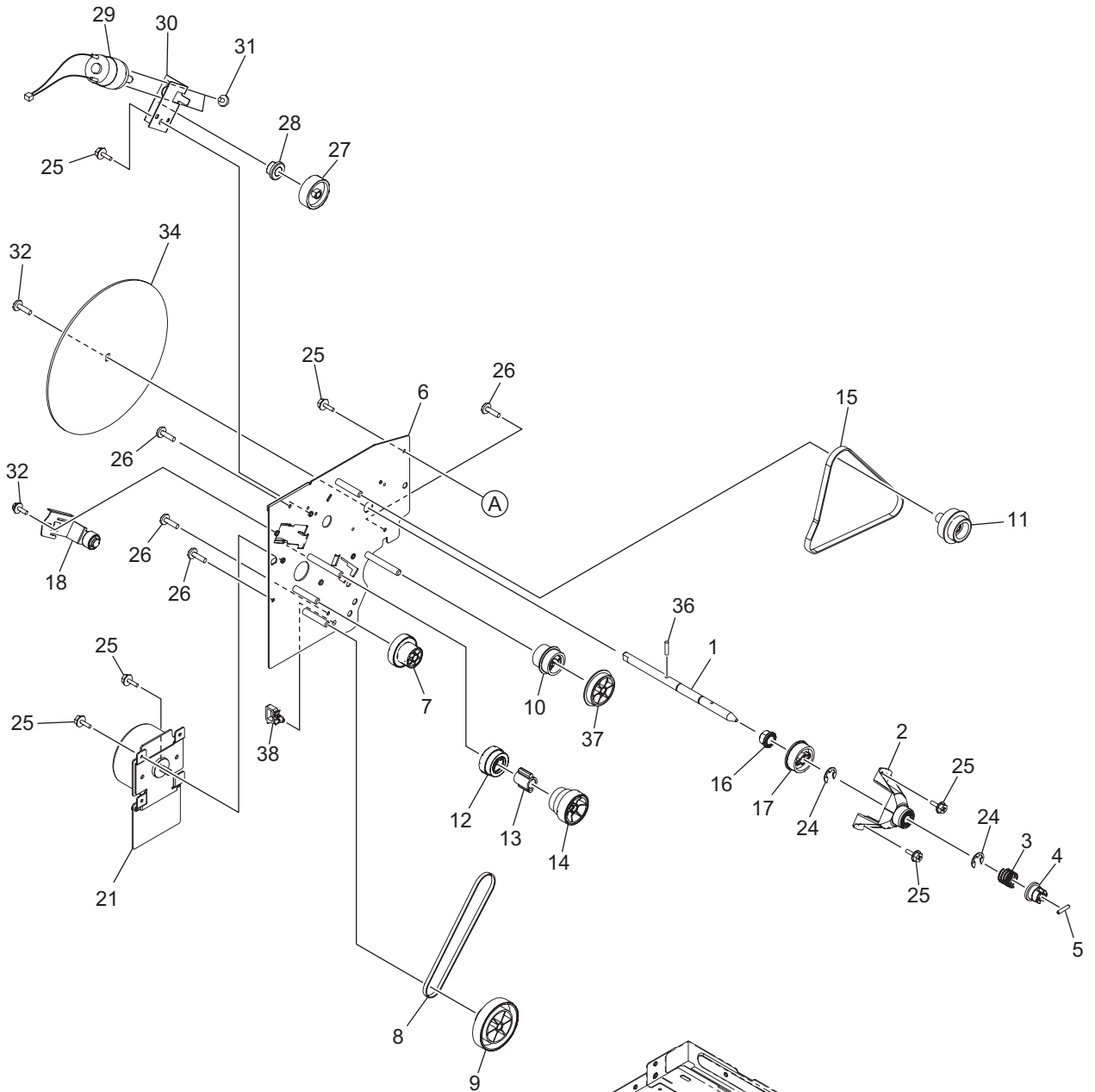
ITEM No.	PART No.	PART NAME	Q'TY / PAGE	Q'TY / PACK	REMARKS
2	6LK44716000	BRKT-HDD-H370	1	1/P	
3	6LK48745000	COVER-MODULAR-B	3	1/P	
4	6LK30486000	GSKT-10-10-30	1	1/P	
5	X0-02420000	S/TPS/FHEXM/R-3X8-ZU3	10	10/P	
6	6LK53290000	HLDR-HRNS-SYS-H370	1	1/P	
7 A	6LK72537000	ASYB-PWA-LGC-H410S	1	1/SB	eS2008A
7 B	6LK72537100	ASYB-PWA-LGC-H411S	1	1/SB	eS2508A
7 C	6LK72537200	ASYB-PWA-LGC-H412S	1	1/SB	eS3008A
7 D	6LK72537300	ASYB-PWA-LGC-H413S	1	1/SB	eS3508A
7 E	6LK72537400	ASYB-PWA-LGC-H414S	1	1/SB	eS4508A
7 F	6LK72537500	ASYB-PWA-LGC-H415S	1	1/SB	eS5008A
8	F0-00036000	RLWS3TV0	2	5/P	
9	X0-02386000	S/PAN/SWWP-M3X4-NI	1	10/P	
10	6LK44717000	SPG-F-SYS-H370	1	1/P	
11	F0-00331000	SPSN-4U	4	5/P	
12	F0-01939000	VB-1006-95T	4	1/P	
13	6LH53114000	SCREW-HDD-CASE_M3	4	5/P	
15 A	G0-00728000	MQ01ABF032	1	1/C	CND
15 B	G0-00733000	MQ01ABU032BW	1	1/C	NAD
15 C	G0-00732000	MQ01ABU032W	1	1/C	ARD,ASD,AUD,MJD
16	F0-01813000	LWS-1316S-V0	10	5/P	
17	6LK45548000	HRNS-HDDFG-H370	1	1/P	
18	6LK45529000	HRNS-HDD-H370	1	1/P	
19	X0-02230000	S/FHEXM-M3X6-NI	19	10/P	
21	6LK45583000	HRNS-LGC-SYS1-H370	1	1/P	
22	6LK45585000	HRNS-LGC-SYS2-H373	1	1/P	
23	C0-18078000	BR24T128-W	1	1/C	
24	6LE90510G00	LI-BAT-CR-2032	1	1/S	
25	C0-20835000	M471B5173EB0-YK0	1	1/C	
26	C0-20581000	MR45V200ARAZAARL	1	1/C	
27	6LJ53224000	DUCT-SYS-FAN-H21X	1	1/P	
28	6LJ53202000	FAN_D-SYS-6015-H21X	1	1/D	
29 A	6LK72534000	ASYB-PWA-SYS-H410HS	1	1/SB	NAD,ARD,ASD,AUD,MJD
29 B	6LK72534100	ASYB-PWA-SYS-H411HS	1	1/SB	eS2508A CND
29 C	6LK72534200	ASYB-PWA-SYS-H412HS	1	1/SB	eS3008A CND
29 D	6LK72534300	ASYB-PWA-SYS-H413HS	1	1/SB	eS3508A CND
29 E	6LK72534400	ASYB-PWA-SYS-H414HS	1	1/SB	eS4508A CND
29 F	6LK72534500	ASYB-PWA-SYS-H415HS	1	1/SB	eS5008A CND
29 G	6LK72534600	ASYB-PWA-SYS-H412SS	1	1/SB	eS3008A CNS
29 H	6LK72534700	ASYB-PWA-SYS-H413SS	1	1/SB	eS3508A CNS
29 I	6LK72534800	ASYB-PWA-SYS-H414SS	1	1/SB	eS4508A CNS

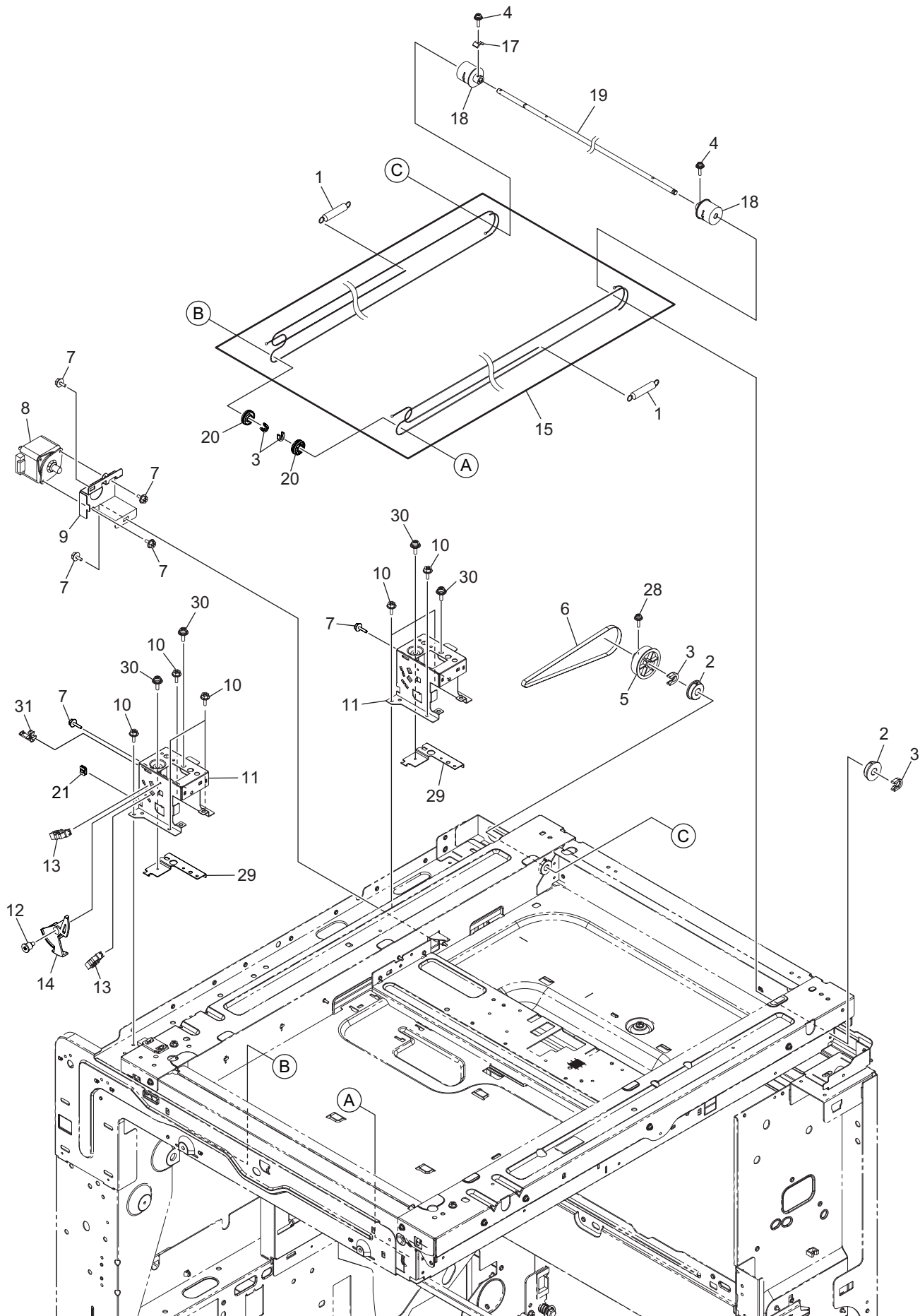


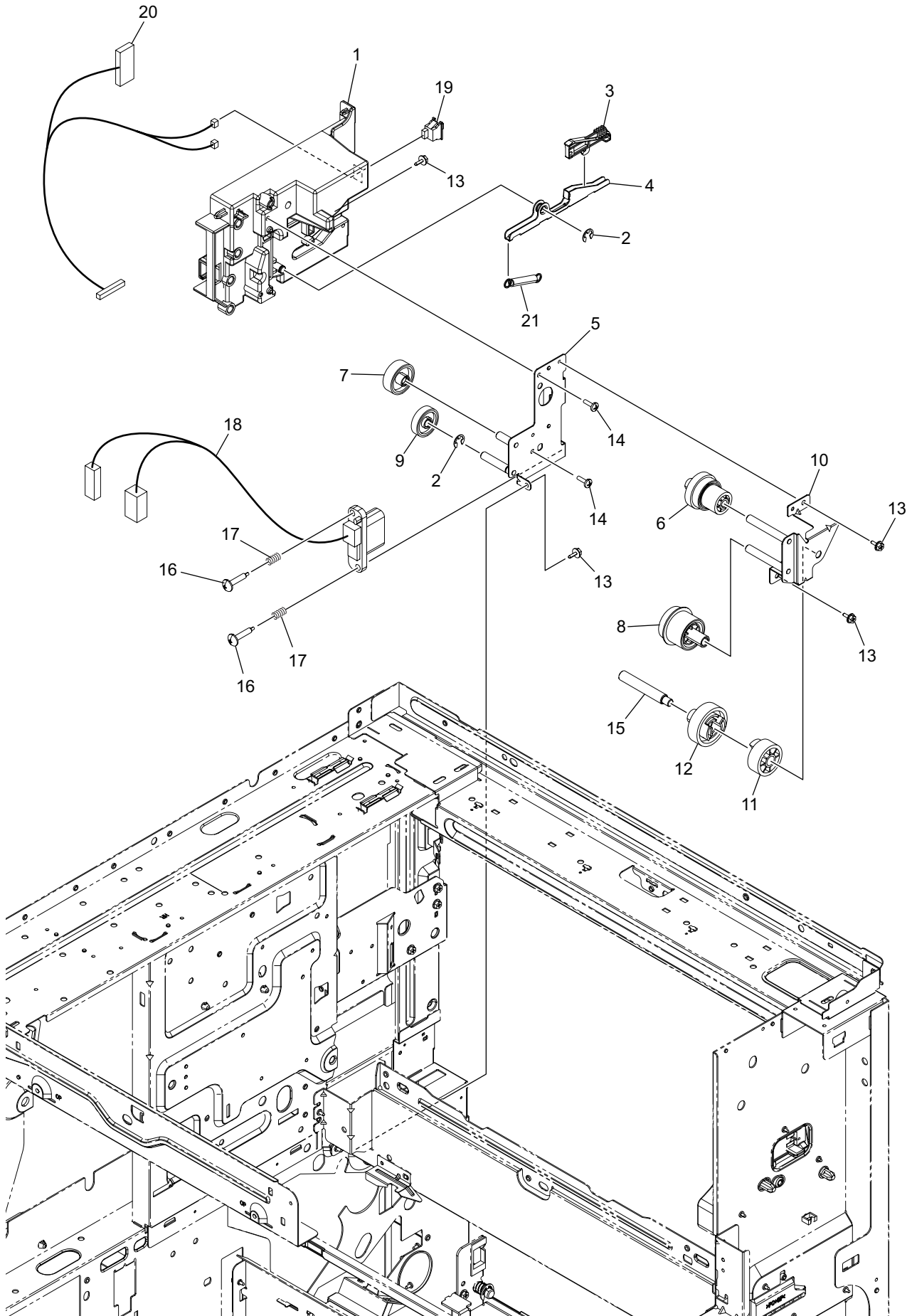


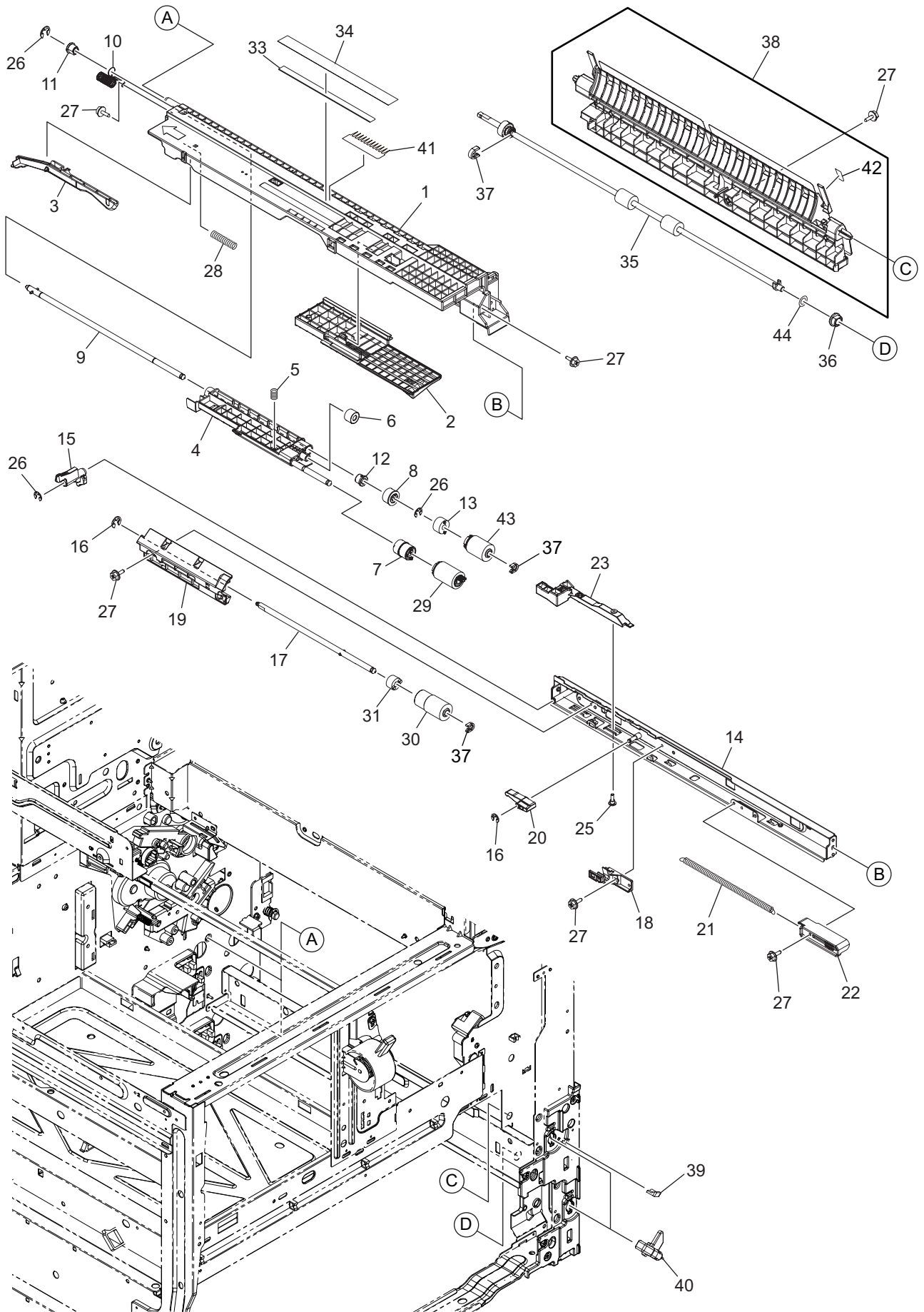




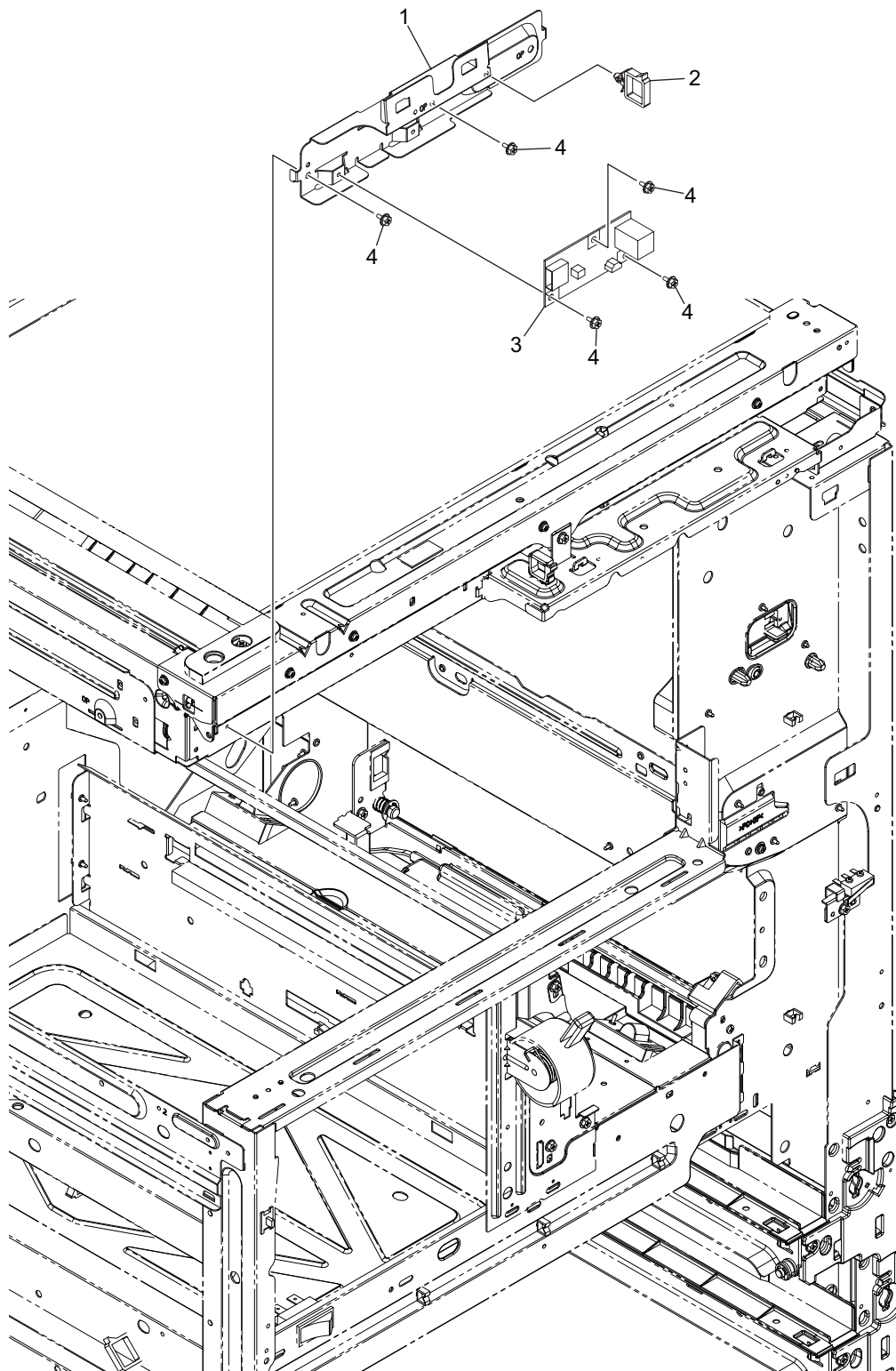


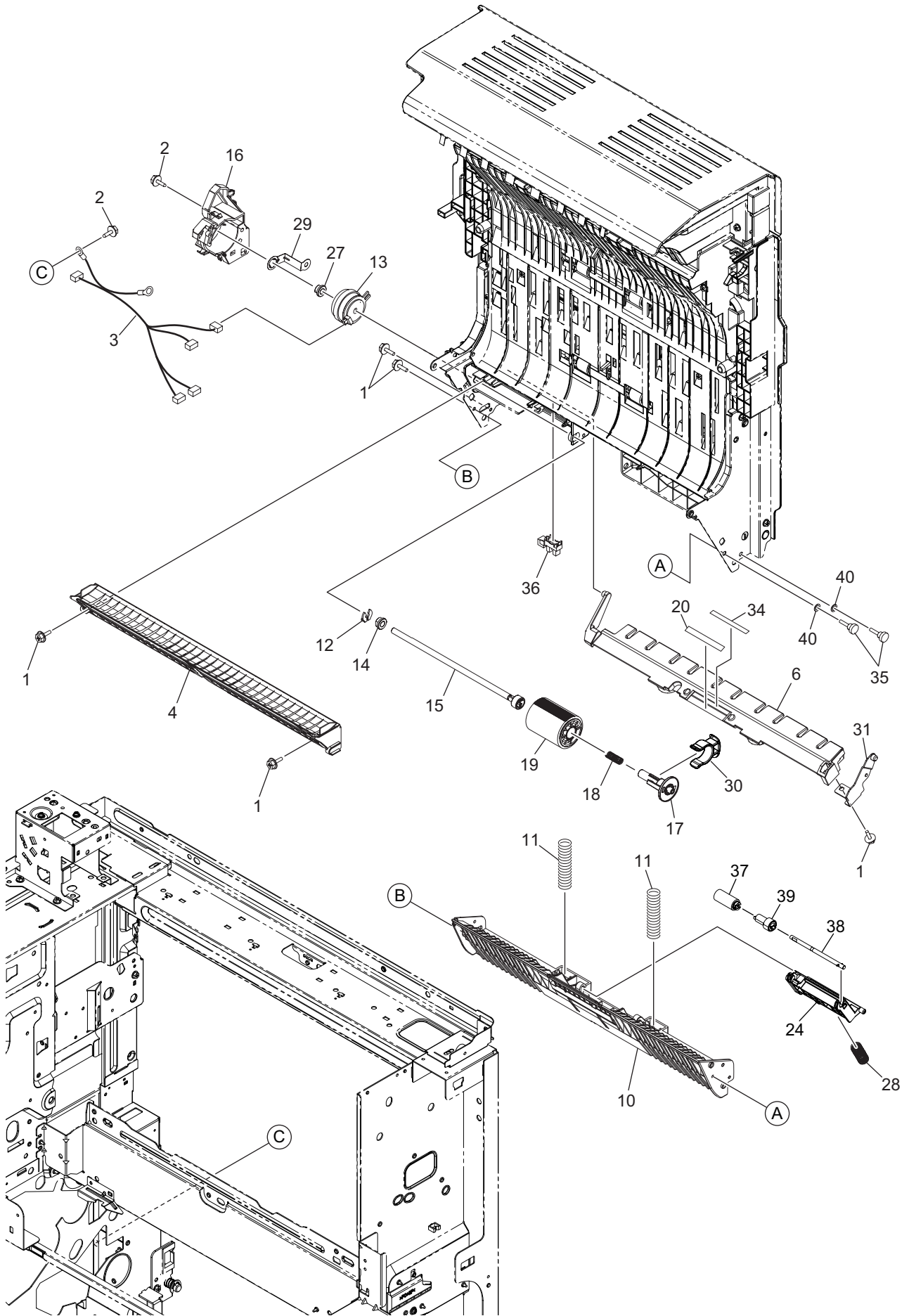


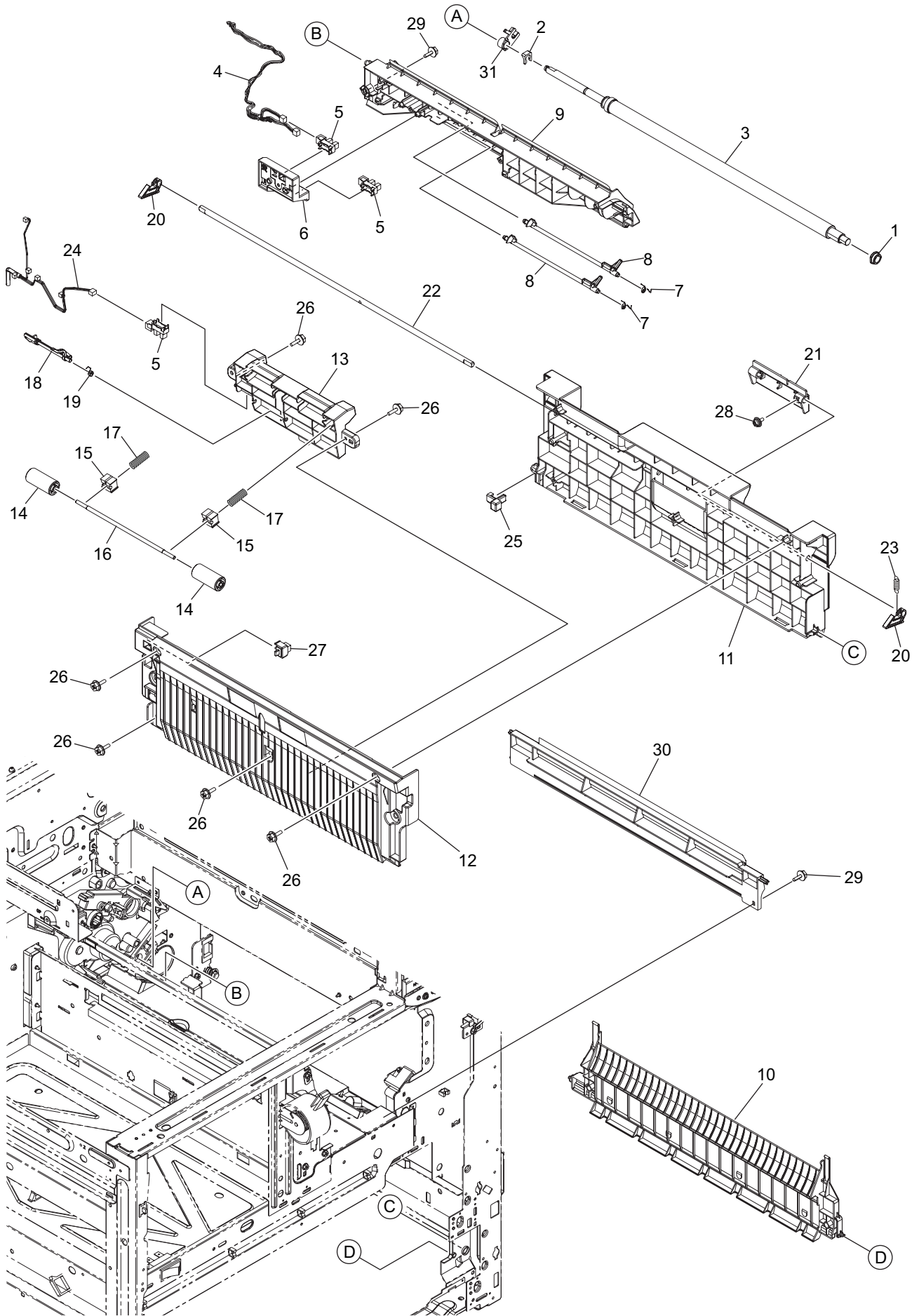


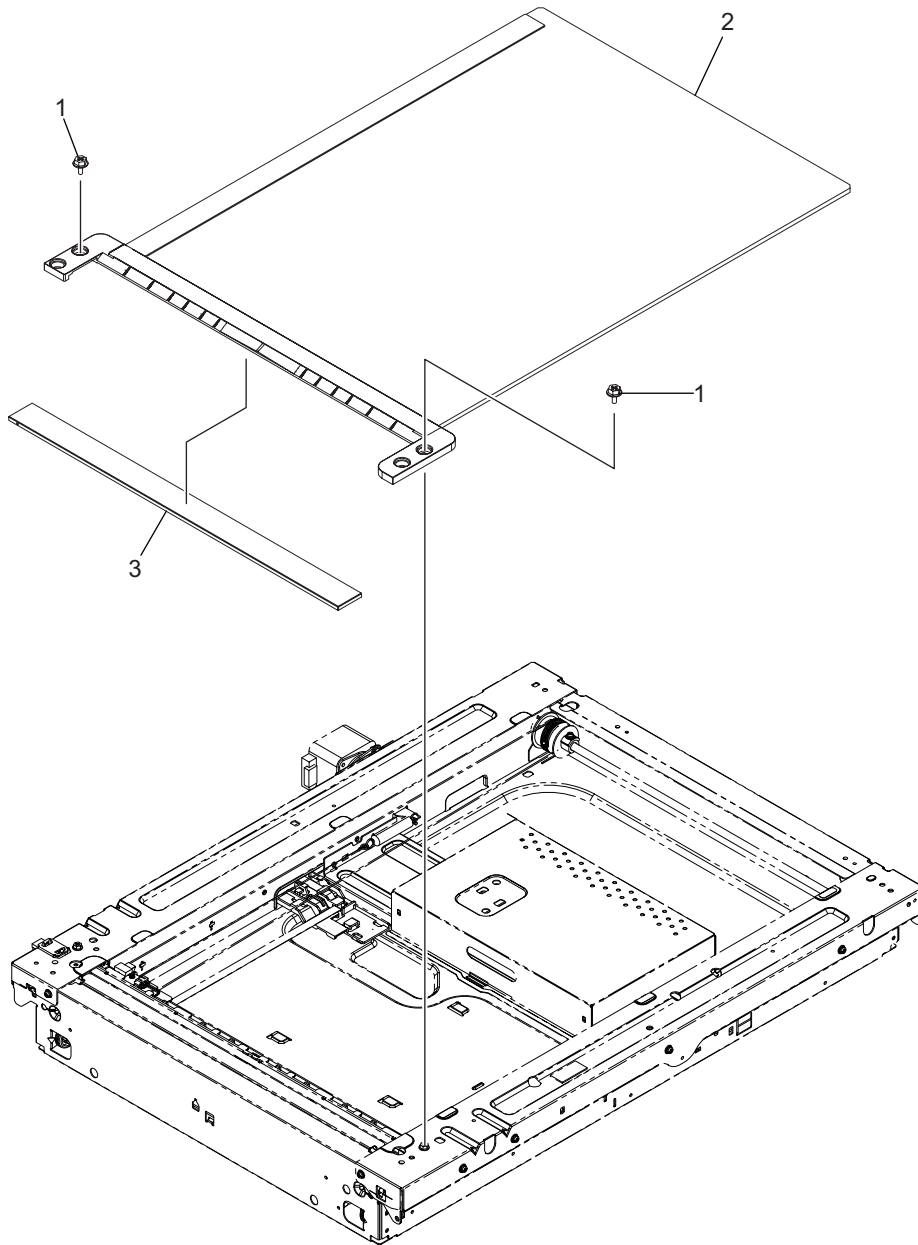


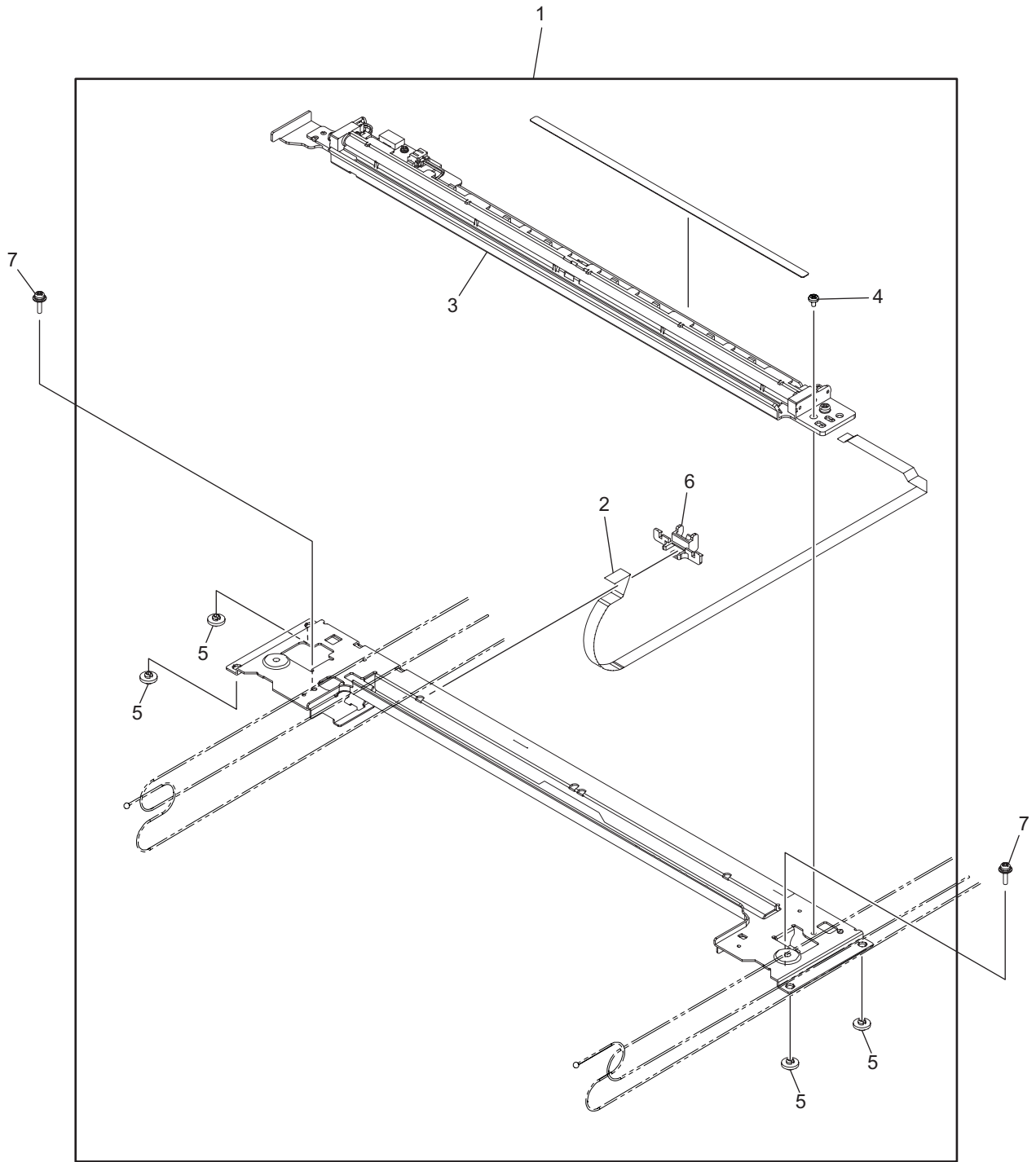
ITEM No.	PART No.	PART NAME	Q'TY / PAGE	Q'TY / PACK	REMARKS
1	6LK50705000	FRAME-FEED-H373	1	1/PP	
2	6LJ56263100	GUIDE-FEED-UP-F-21X_HS	1	1/PP	
3	6LJ56248100	ACTR-EMPTY-CST-2X_HS	1	1/P	
4	6LJ56275000	ARM-PICK-H21X_H	1	1/PP	
5	6LJ56359000	SPG-C-PU-H21Y	1	1/P	
6	6LJ56244000	GEAR-5S25-8	1	1/P	
7	6LJ56245000	GEAR-5S30-6	1	1/P	
8	6LJ56239000	ASYS-GEAR-5S30-6L	1	1/P	
9	6LJ56276000	ASYS-SFT-ROL-FEED-H21X_H	1	1/P	
10	6LJ56267000	SPG-EARTH-FEED-UNIT	1	1/P	
11	6LA03977000	BUSH-F6-GCB	1	5/P	
12	6LJ56246000	BUSH-6X10X9F-POM	1	1/P	
13	4406584800	CLUTCH-6-08L2	1	1/P	
14	6LK50706000	ASYS-STAY-FEED-H373	1	1/P	
15	6LJ56250000	LEVER-PU-LINK-H21X_H	1	1/P	
16	X0-00964000	RR/E-3-SS	2	10/P	
17	6LJ56279000	ASYS-SHAFT-ROL-SPT-H21X_H	1	1/P	
18	6LJ56258000	GUIDE-SFT-SPT-H21X_H	1	1/P	
19	6LJ56264100	GUIDE-FEED-R-21X_HS	1	1/P	
20	6LJ56249000	ARM-SFT-SPT-H21X_H	1	1/P	
21	6LK51232000	SPG-E-SPT-H373	1	1/P	
22	6LJ56247100	HOLDER-SPE-SPT-21X_HS	1	1/P	
23	6LK50754000	SLIDER-SPT-H21X_H	1	1/P	
25	6LH05511000	SCREW-M3X8-3.2-P	1	5/P	
26	X0-00966000	RR/E-5-SS	3	10/P	
27	X0-02420000	S/TPS/FHEXM/R-3X8-ZU3	6	10/P	
28	6LK50747000	SPG-C-SLIDER-H370	1	1/P	
29	6LJ56242000	ASYS-ROLL-FEED-H21X_H	1	1/P	
30	6LK50742000	ASYS-ROLL-SPT-H373	1	1/P	
31	6LJ56289000	TL-SEP-ORG-400	1	1/P	
33	6LJ56296000	RUBBER-SPACE-FEED	1	1/P	
34	6LJ56295000	MYLAR-SPACE-FEED	1	1/P	
35	6LJ56339000	ASYB-ROL-TRANS-H21Y	1	1/KP	
36	44201492000	BUSH-6-POM	1	5/P	
37	4407972860	STOP-RING-6-5	3	5/P	
38	6LJ56340100	ASYB-GUIDE-FEED-L-H373	1	1/PP	
39	41306265000	STOP RING	1	1/P	
40	6LJ56274100	LEVER-FEED-UNIT-21X_HS	2	1/P	
41	6LJ56369000	BRUSH-ERS-FEED-H21Y	1	1/KP	
42	6LJ54687000	LBL-HNDL-WTNR-21X	1	1/P	
43	6LK50739000	ASYS-ROLL-FEED-H373	1	1/P	
44	6LE28372000	WSHR-6R2X12XR5-APS	1	5/P	

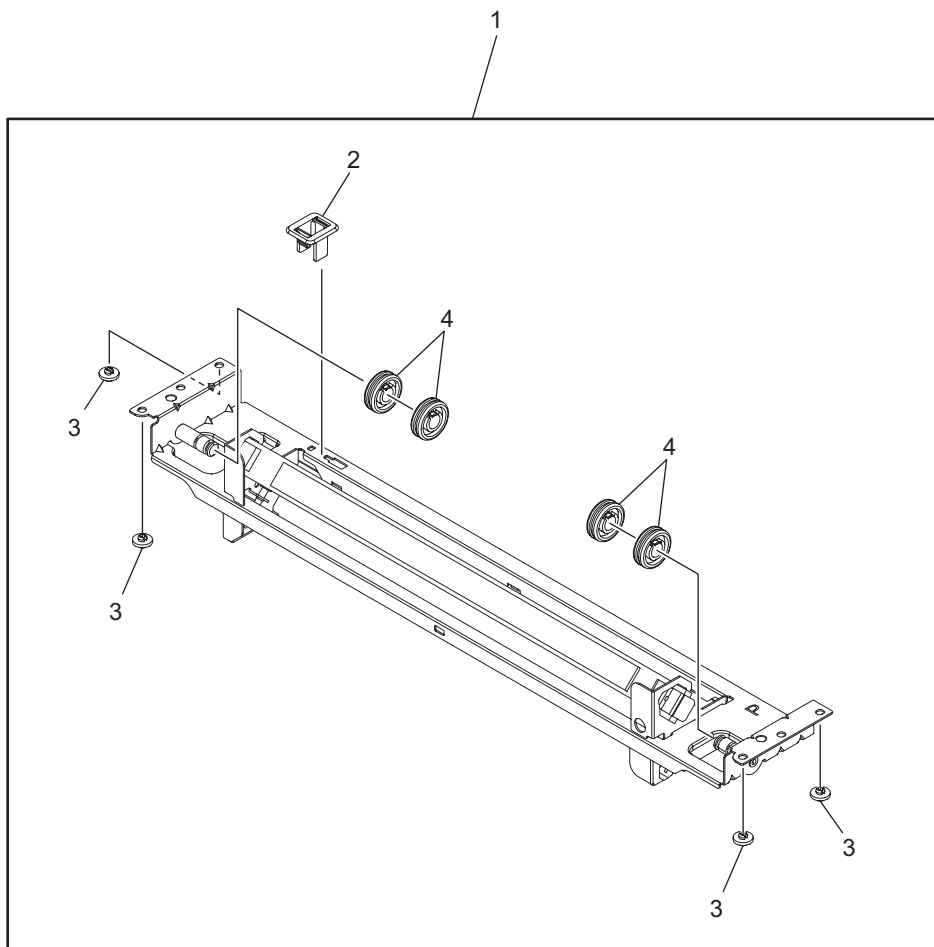


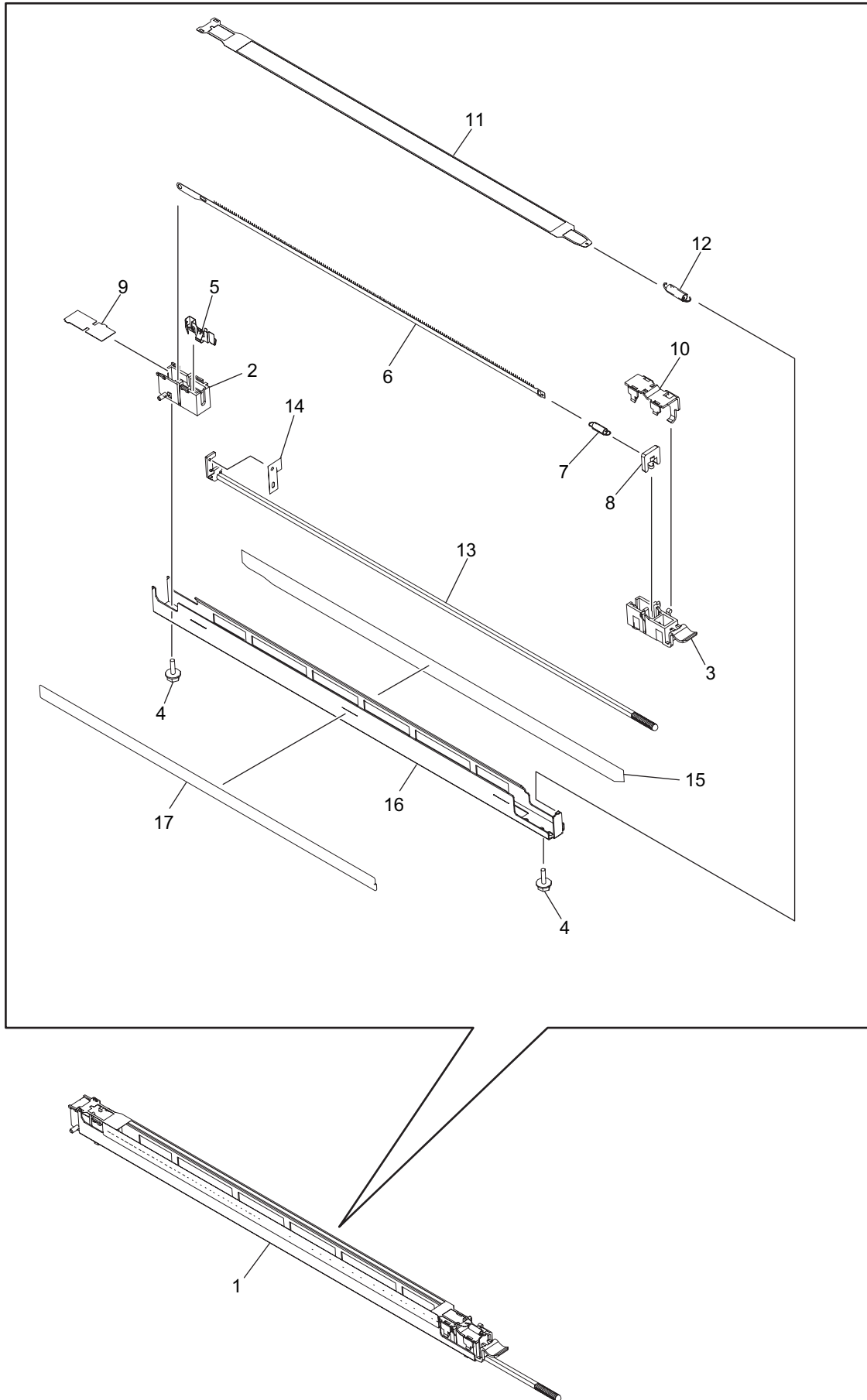


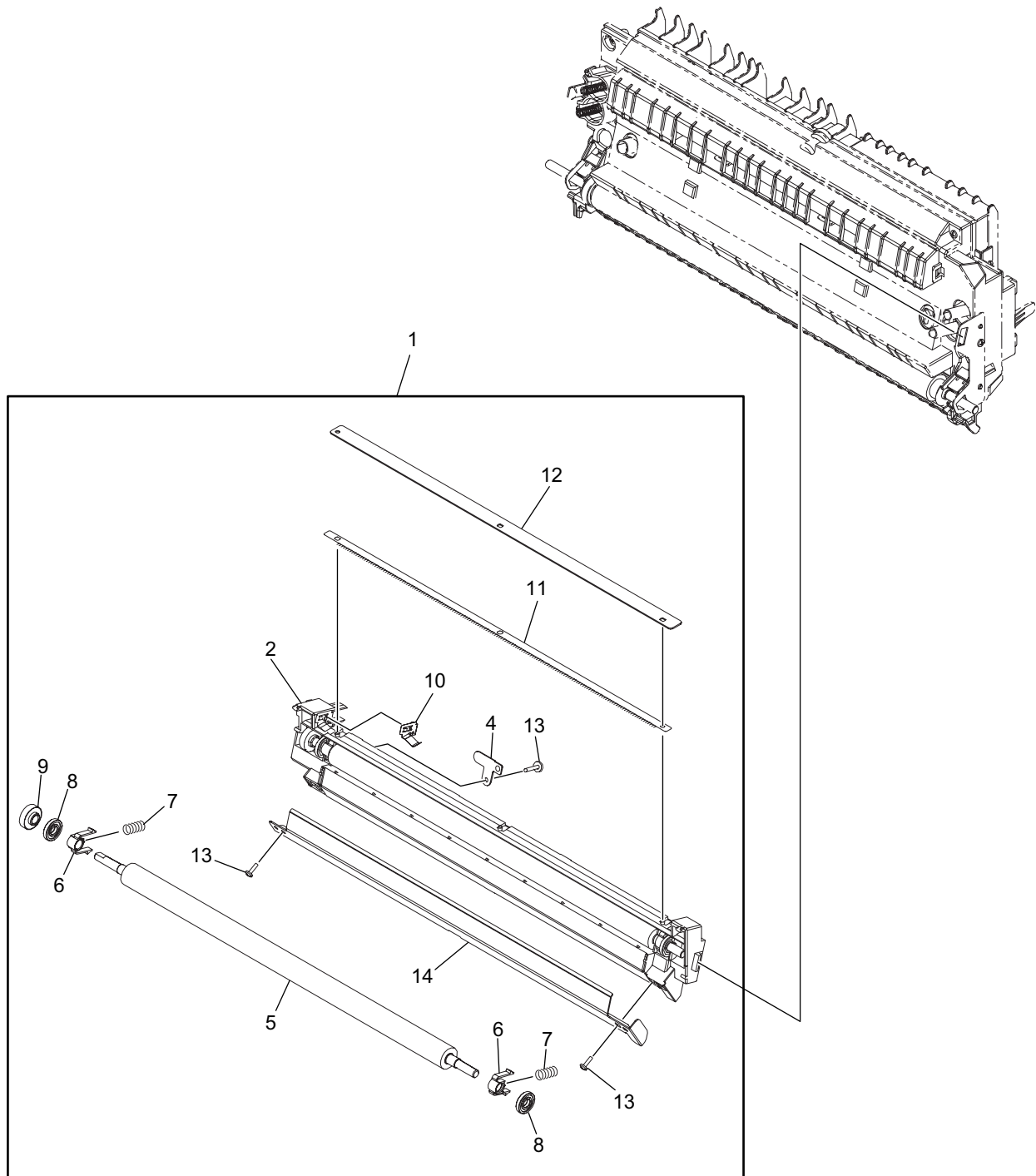


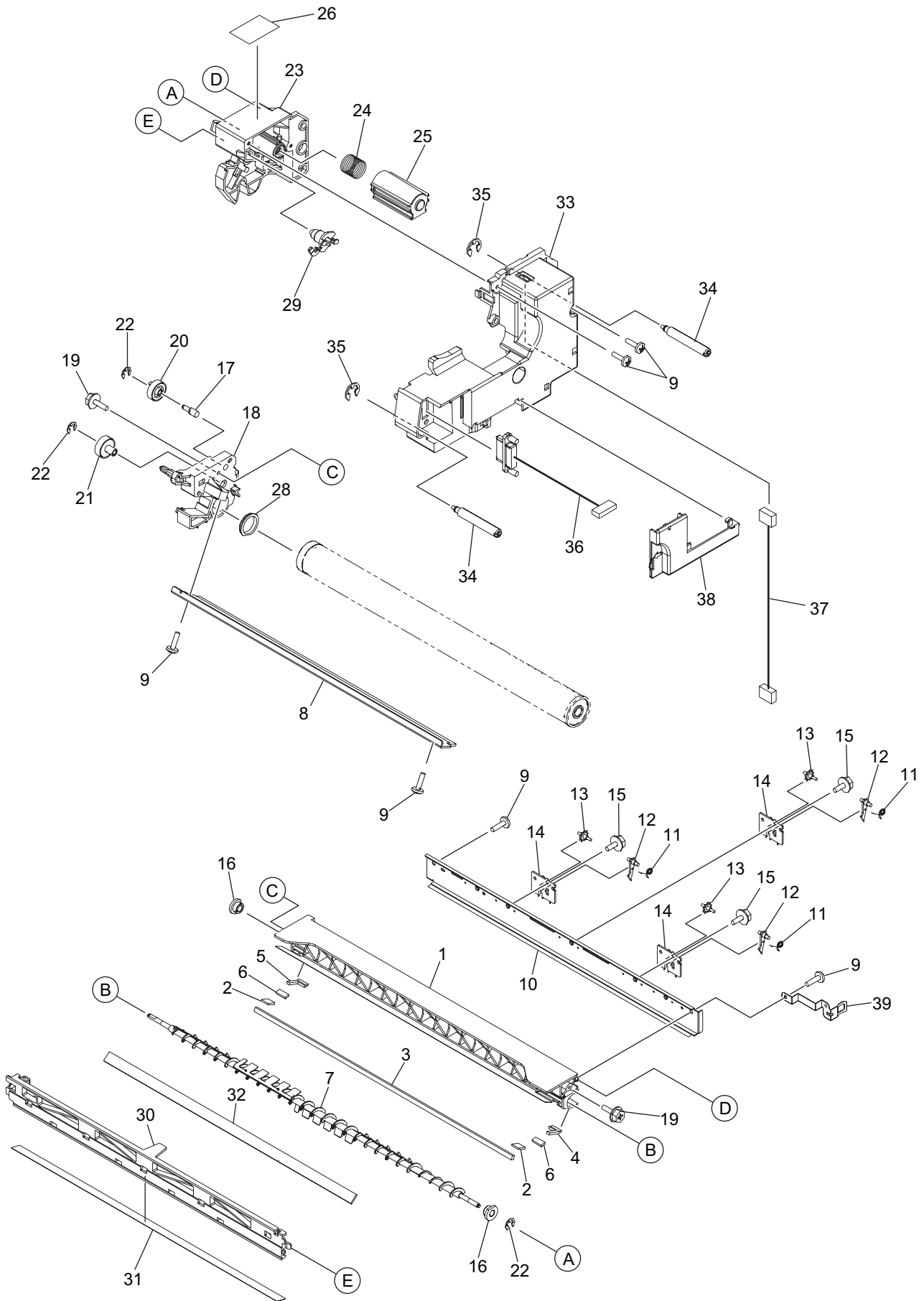




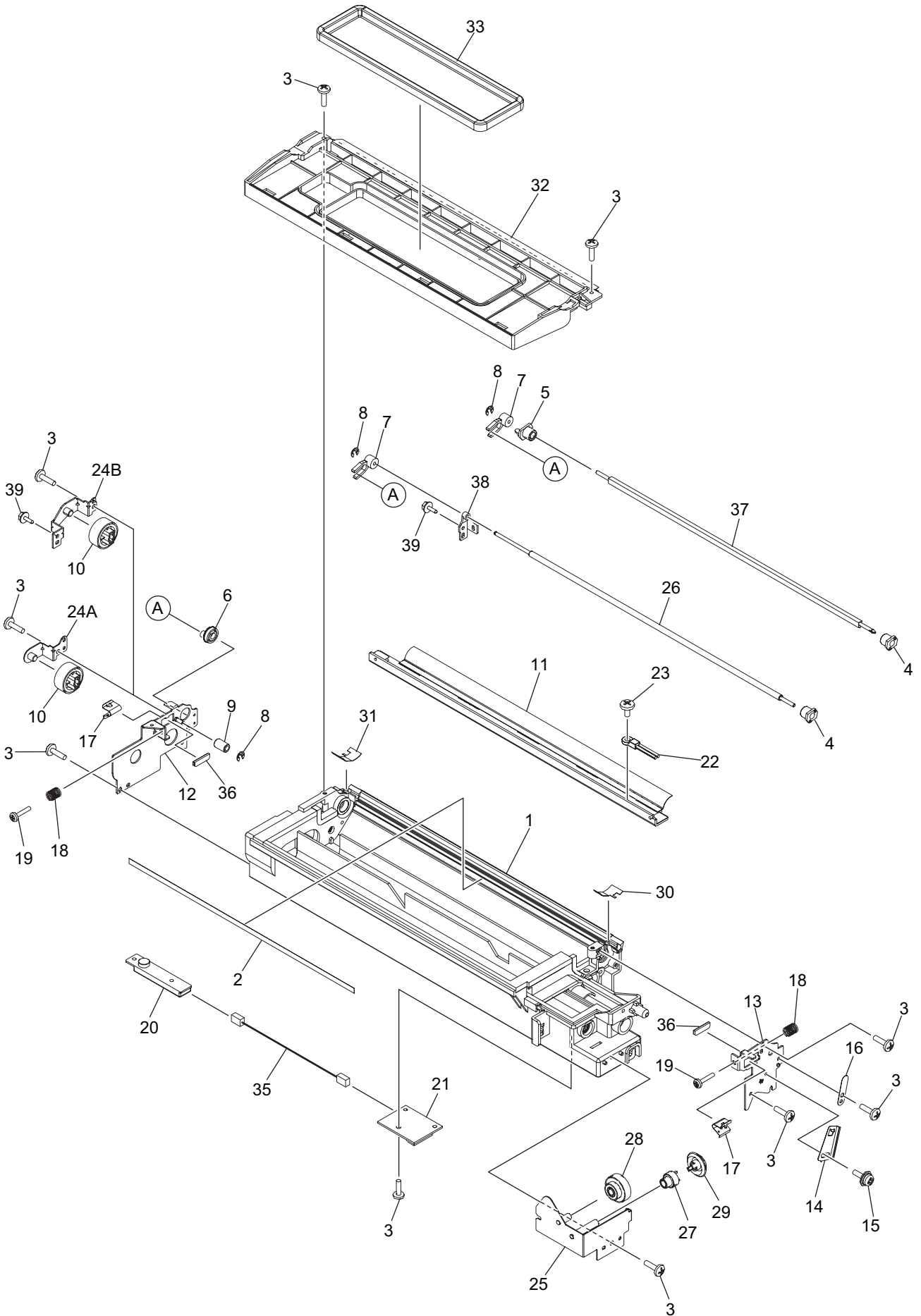




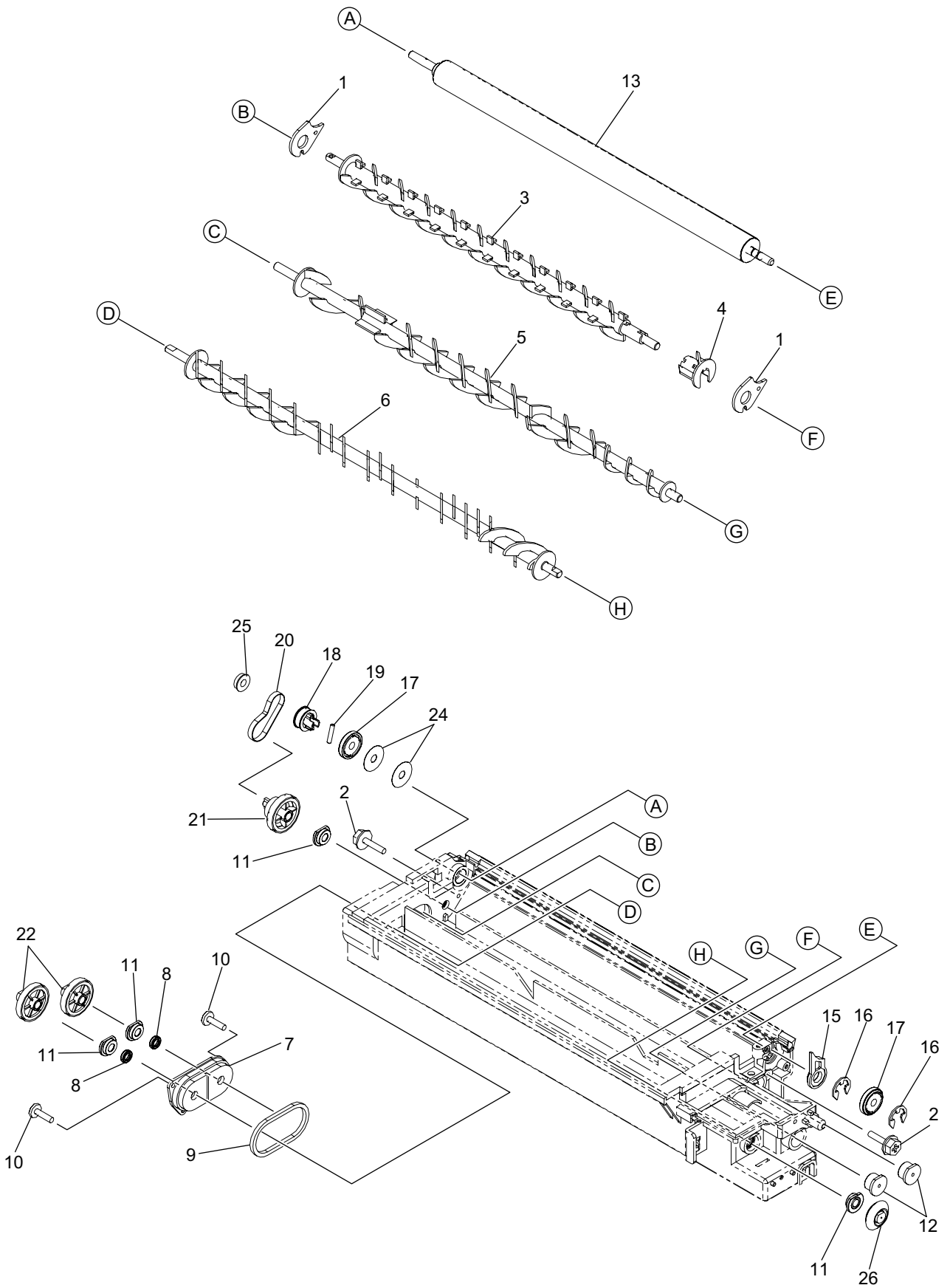


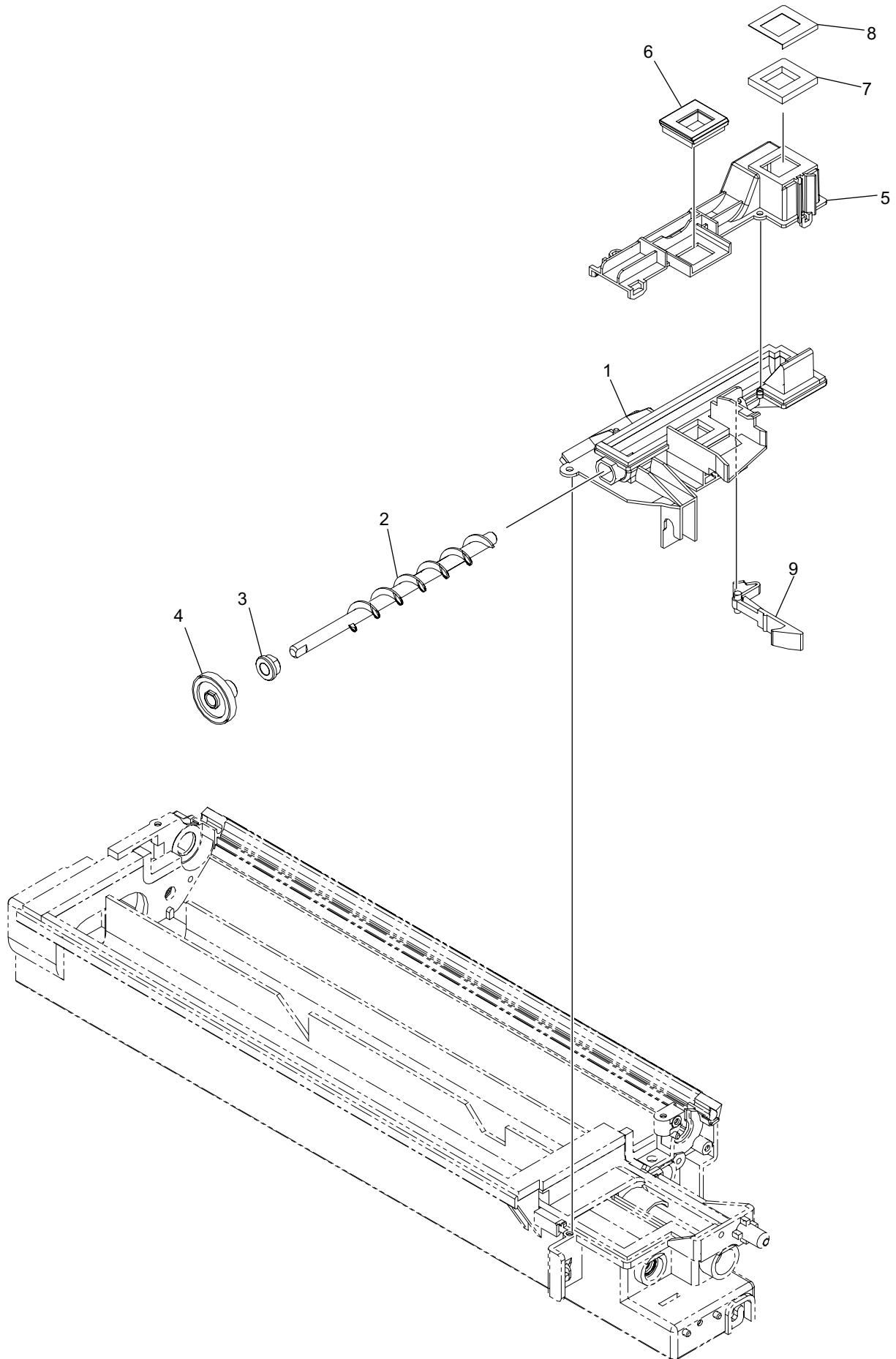


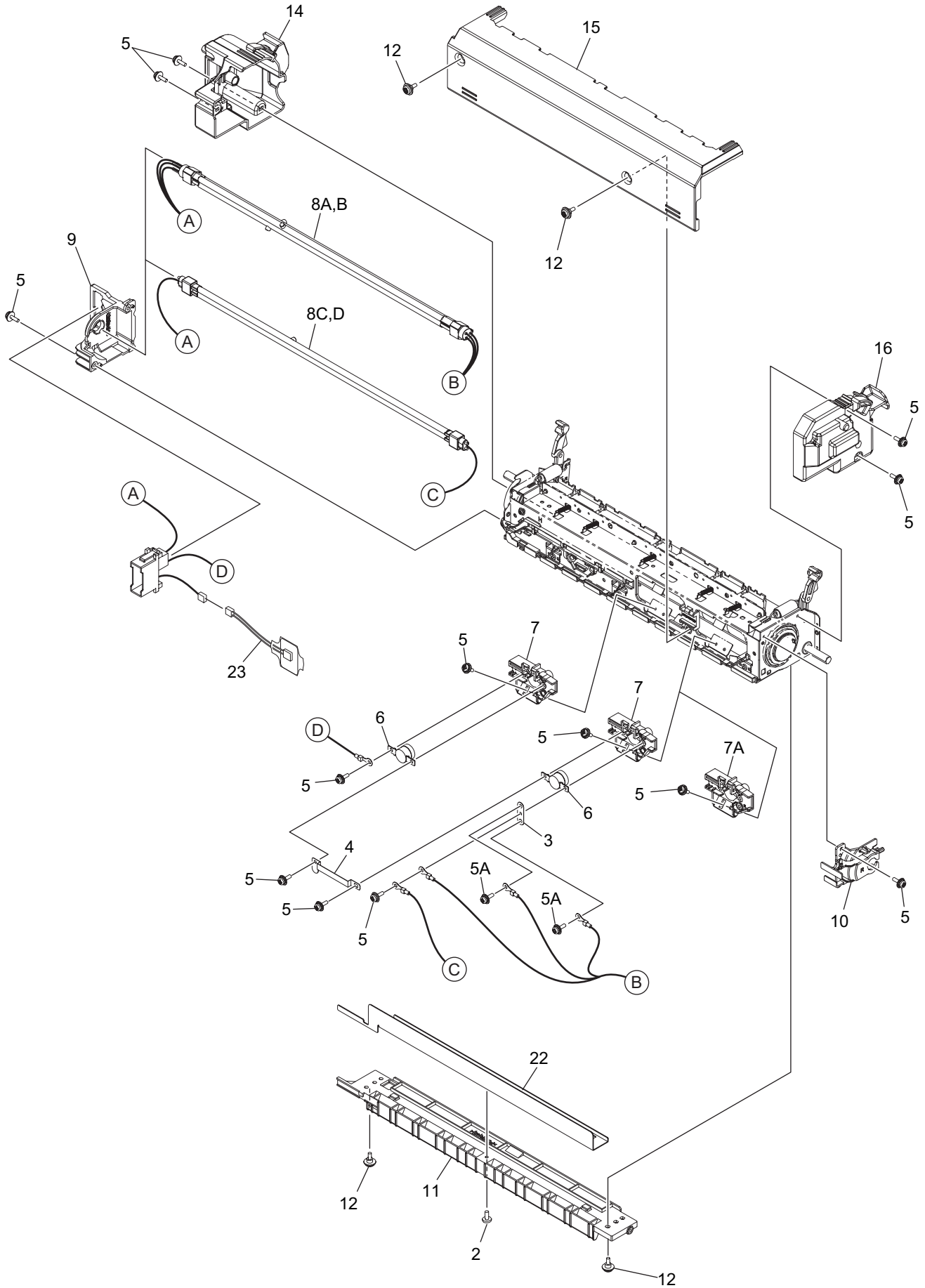
ITEM No.	PART No.	PART NAME	Q'TY / PAGE	Q'TY / PACK	REMARKS
1	6LH51919000	ASYS-FRAME-CLN-C-470	1	1/C	
2	6LA79547000	SEAL-BLADE-SIDE	2	1/P	
3	6LA79531000	SEAL-CLN-C	1	1/KP	
4	6LA79546000	SEAL-CLN-F	1	1/P	
5	6LA79586000	SEAL-CLN-R	1	5/P	
6	6LA79534000	SEAL-SIDE-REC	2	1/P	
7	6LH51918000	ASYS-AUGER-CLN-470	1	1/KP	
8	6LA27845000	BL-2320D	1	1/S	
9	6LA80090000	S/TPP/BID-3*8-NI	6	5/P	
10	6LE54020000	BLADE-REC	1	1/C	
11	6LJ75525000	SPA-SCRPR-DRUM-H24X	3	1/P	
12	6LA79618000	SCRAPER-371	3	3/P	
13	41306325000	WHEEL-CLN-8	3	1/P	
14	6LK67100000	HOLDER-SCRAPER-H41X	3	1/P	
15	X0-02230000	S/FHEXM-M3X6-NI	3	10/P	
16	6LA02920000	BUSH-0410-05F-M	2	5/P	
17	6LA79554000	STUD-GEAR-CLN	1	1/P	
18	6LH51913000	FRAME-CLN-R	1	1/P	
19	X0-02247000	S/TPP/FHEXM-3X8-NI	2	10/P	
20	6LA79606000	GEAR-10S17-4	1	1/P	
21	6LA79605000	GEAR-10S18-4	1	1/P	
22	X0-00974000	RR/E-2.5-SS	3	10/P	
23	6LH51907000	ASYS-FRAME-CLN-F	1	1/C	
24	6LA79612000	SPC-NZL-CLN	1	1/P	
25	6LA79609000	SHUTTER-CLN	1	1/P	
26	6LH88031000	LBL-HNDL-CLNR	1	5/P	
28	41306135000	BUSH-1821*03-M	1	1/P	
29	6LH51906000	PIN-DRUM-470	1	1/P	
30	6LH23220100	HLDR-LED_S	1	1/PP	
31	6LH29503000	MYLAR-HLDR-LED	1	1/KP	
32 A	6LH27027000	PWA-F-DLE-280V	1	1/C	eS2008A/2508A/3008A
32 B	6LH62813000	PWA-F-DLE-473	1	1/C	eS3508A/4508A/5008A
33 A	6LH51901000	COV-PU-F-471	1	1/P	eS2008A/2508A/3008A
33 B	6LH51901100	COV-PU-F-473	1	1/P	eS3508A/4508A/5008A
34	6LE56120000	SCREW-PU-F	2	1/P	
35	X0-00965000	RR/E-4-SS	2	10/P	
36	6LH61384000	HRNS-EPU-471	1	1/P	
37 A	6LH61353000	HRNS-DLE2-471	1	1/P	eS2008A/2508A/3008A
37 B	6LH61354000	HRNS-DLE2-473	1	1/P	eS3508A/4508A/5008A
38	6LH51909000	COVER-CNCT-PU	1	1/P	
39	6LH51922000	SPL-EARTH-BLADE-REC	1	1/P	

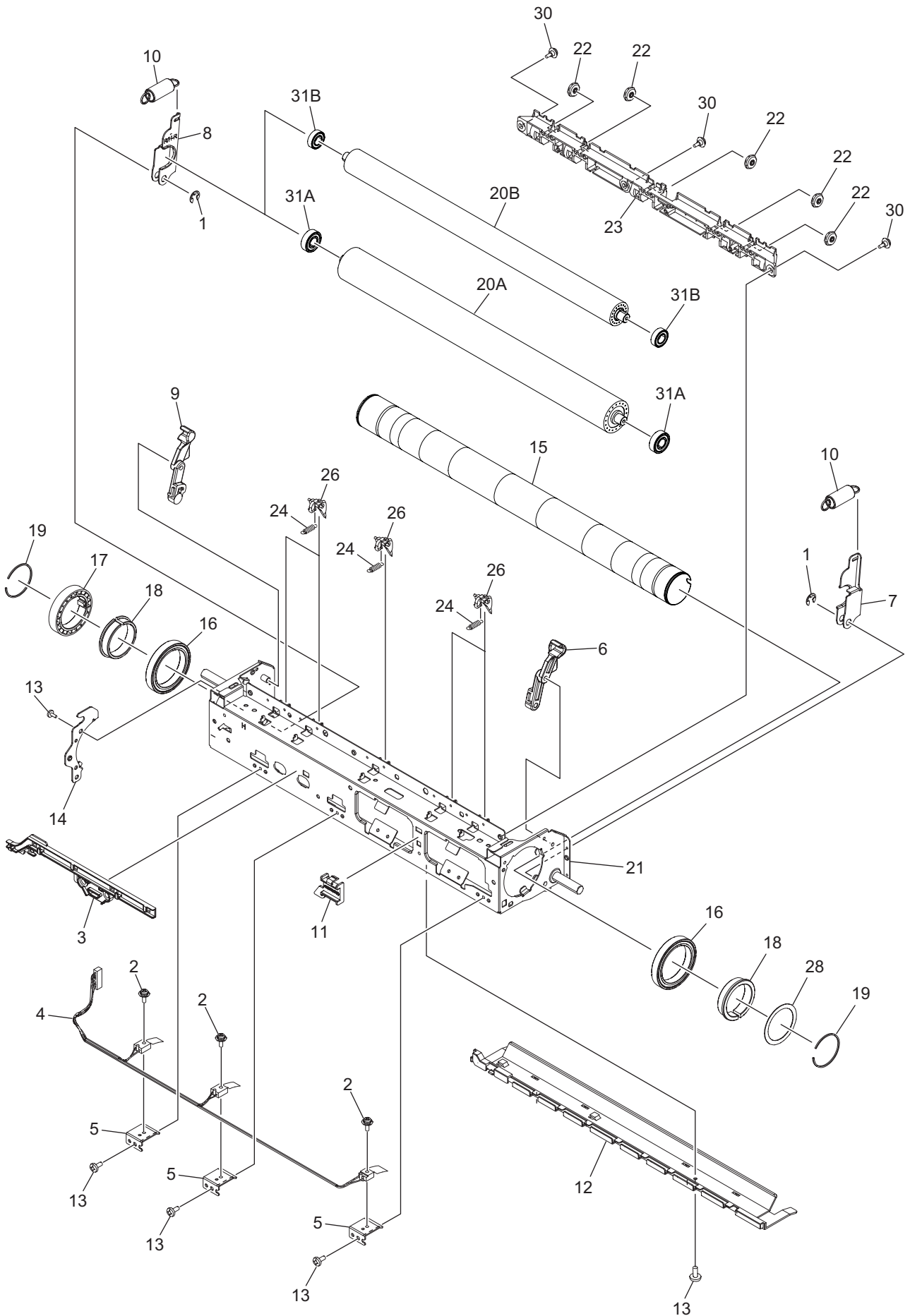


ITEM No.	PART No.	PART NAME	Q'TY / PAGE	Q'TY / PACK	REMARKS
1 A	6LH53425000	ASYS-CASING-DEV	1	1/PP	eS2008A/2508A/3008A
1 B	6LH53425100	ASYS-CASING-DEV-413	1	1/P	eS3508A/4508A/5008A
2 B	6LH53445000	BLADE-RE-ROL	1	1/KP	eS3508A/4508A/5008A
3	6LA80090000	S/TPP/BID-3*8-NI	9	5/P	
4	6LH53441000	BUSH-RE-ROL-F	1	1/P	
5 A	6LK24700000	BUSH-RE-ROL-R	1	1/P	eS2008A/2508A/3008A
6 B	6LA81769000	CAM-RE-ROL	1	1/P	eS3508A/4508A/5008A
7 B	6LH53424000	DRV-RE-ROL	1	1/P	eS3508A/4508A/5008A
8	X0-00963000	RR/E-2-SS	2	10/P	
9	6LH53470000	COLLER-DEV-TENS-470	1	1/P	
10	6LH53454000	GEAR-10S23-6	1	1/P	
11	6LH53408000	ASYS-DOCTOR-470	1	1/KP	
12 A	6LH53464100	ASYS-BKT-DEV-R-415	1	1/P	eS3508A/4508A/5008A
12 B	6LH53463000	ASYS-BKT-DEV-R-471	1	1/P	eS2008A/2508A/3008A
13	6LH53411000	BRKT-DEV-F-470	1	1/P	
14	6LH53455000	ADJUSTER-MG-470	1	1/P	
15	X0-00077000	S/PAN/SWWP-M3X8-NI	1	10/P	
16 B	6LH53421000	PLATE-RE-ROL	1	1/P	eS3508A/4508A/5008A
17	6LH53468000	SPL-DOCTOR	2	1/P	
18	4400672520	SPC060-065-0130	2	1/P	
19	6LA81610000	SCREW-DOCTOR-371	2	10/P	
20	6LE63990000	SNR-ATC-280	1	1/D	
21	6LH60411100	ASYB-EPU-H410	1	1/SB	
22	6LK30552000	THMS-DRM-330	1	1/PP	
23	X0-01725000	S/BID-M3X5-BSNI	1	10/P	
24 A	6LH53430000	ASYS-DRV-DEV-473	1	1/P	eS2008A/2508A/3008A
24 B	6LK67106000	ASYS-DRV-DEV-H41X	1	1/P	eS3508A/4508A/5008A
25	6LH53422000	ASYS-DRV-RECY-470	1	1/P	
26 B	6LH53419000	ROLLER-RE-5	1	1/P	eS3508A/4508A/5008A
27	6LA81888000	GEAR-8S15-6	1	1/P	
28	6LE55980000	GEAR-8S29_8S18-6	1	1/P	
29	6LA81881000	GEAR-10B22-6-CUP	1	1/P	
30	6LH53447000	SHEET-SIDE-DEV-F	1	1/P	
31	6LH53448000	SHEET-SIDE-DEV-R	1	1/P	
32	6LH53406000	ASYS-COV-DEV-470	1	1/C	
33	6LA81700000	COVER-DEV-BTL-371	1	1/P	
35	6LH61340000	HRNS-ATS-471	1	1/P	
36	6LH53467000	MYLAR-DOC-SLIDE	2	5/P	
37 A	6LH53440000	WALL-JOINT	1	1/P	eS2008A/2508A/3008A
38 B	6LK67107000	BUSH-HOLED-ROLLER-RE	1	1/P	eS3508A/4508A/5008A
39 B	X0-02420000	S/TPS/FHEXM/R-3X8-ZU3	2	10/P	eS3508A/4508A/5008A

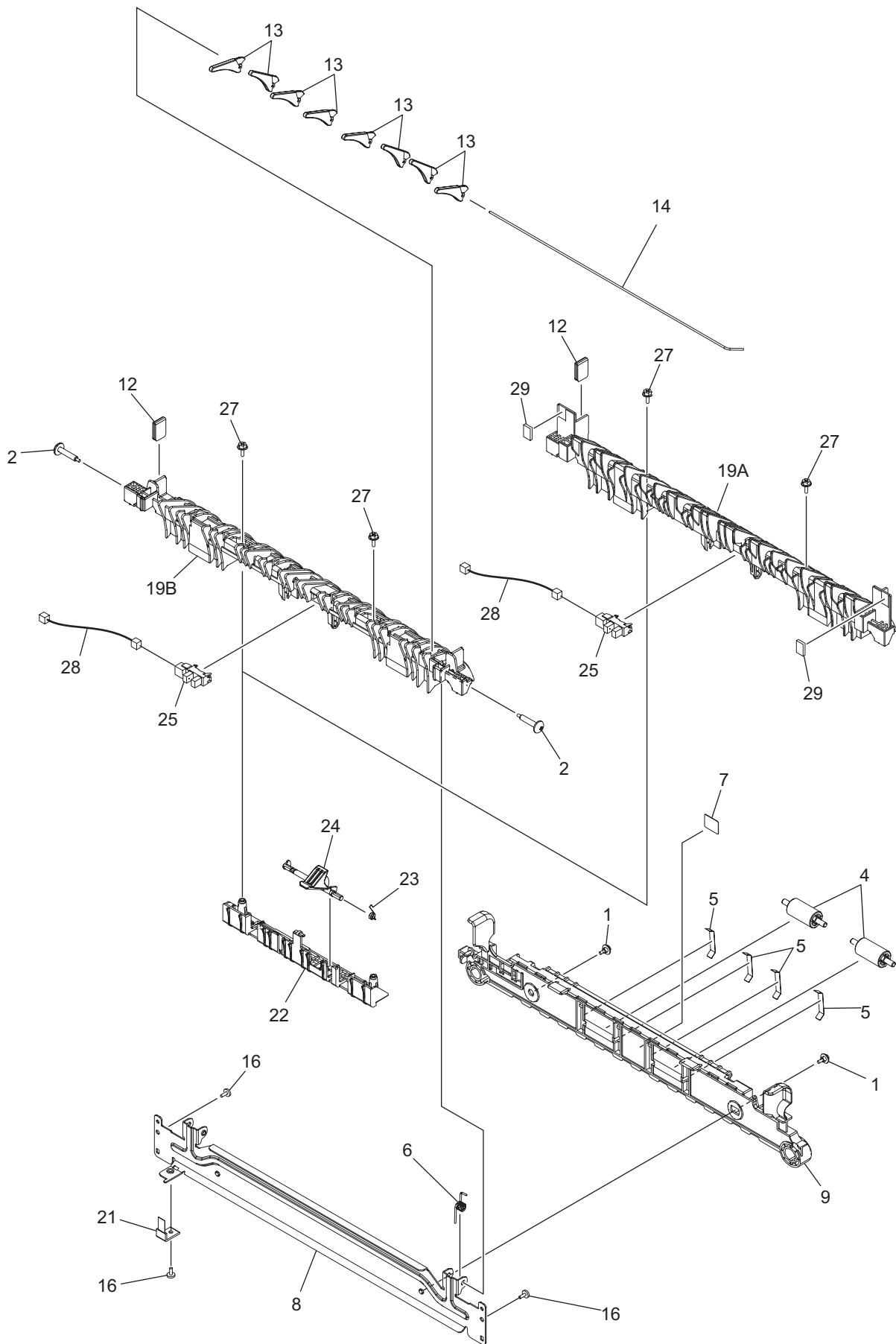


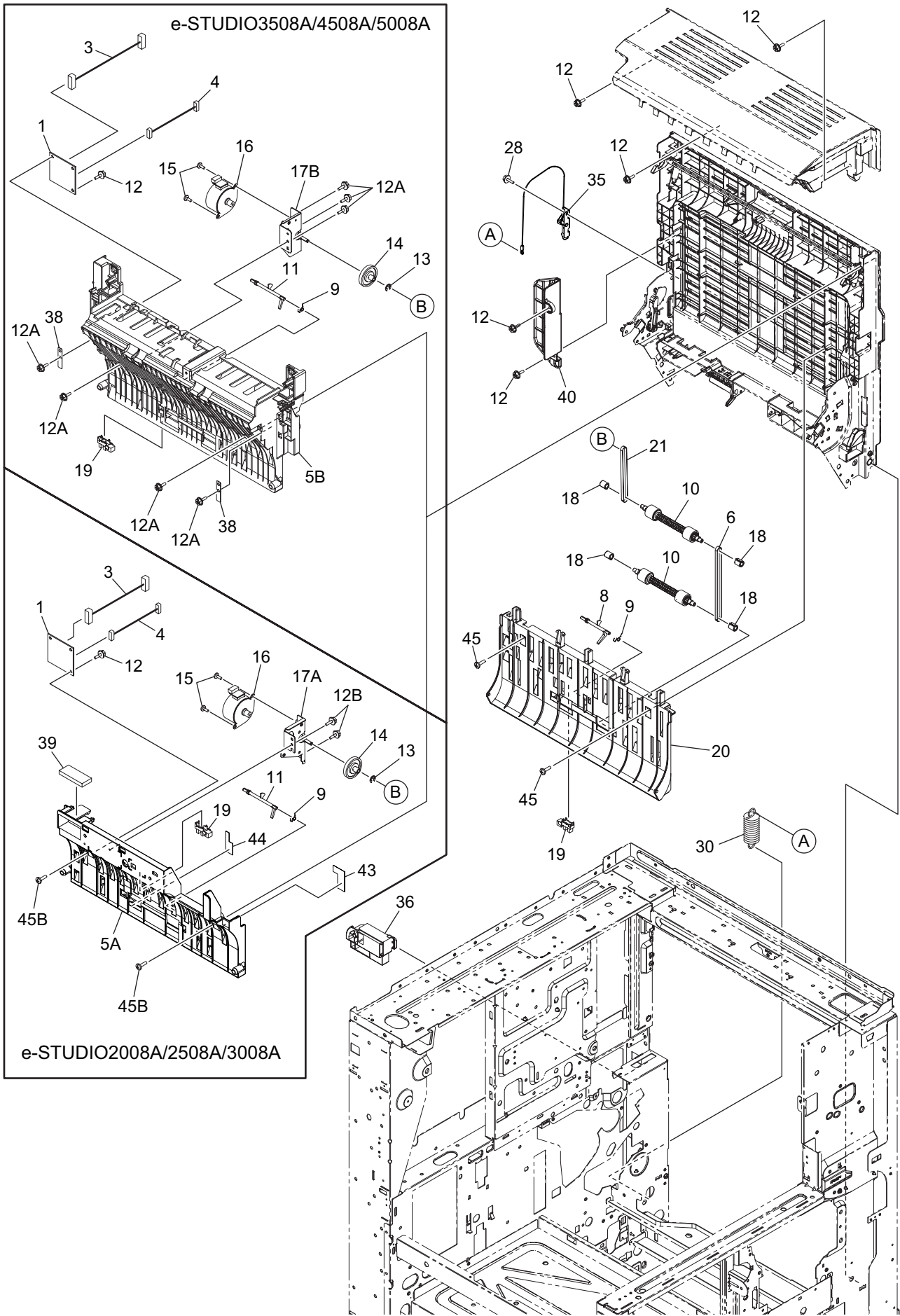




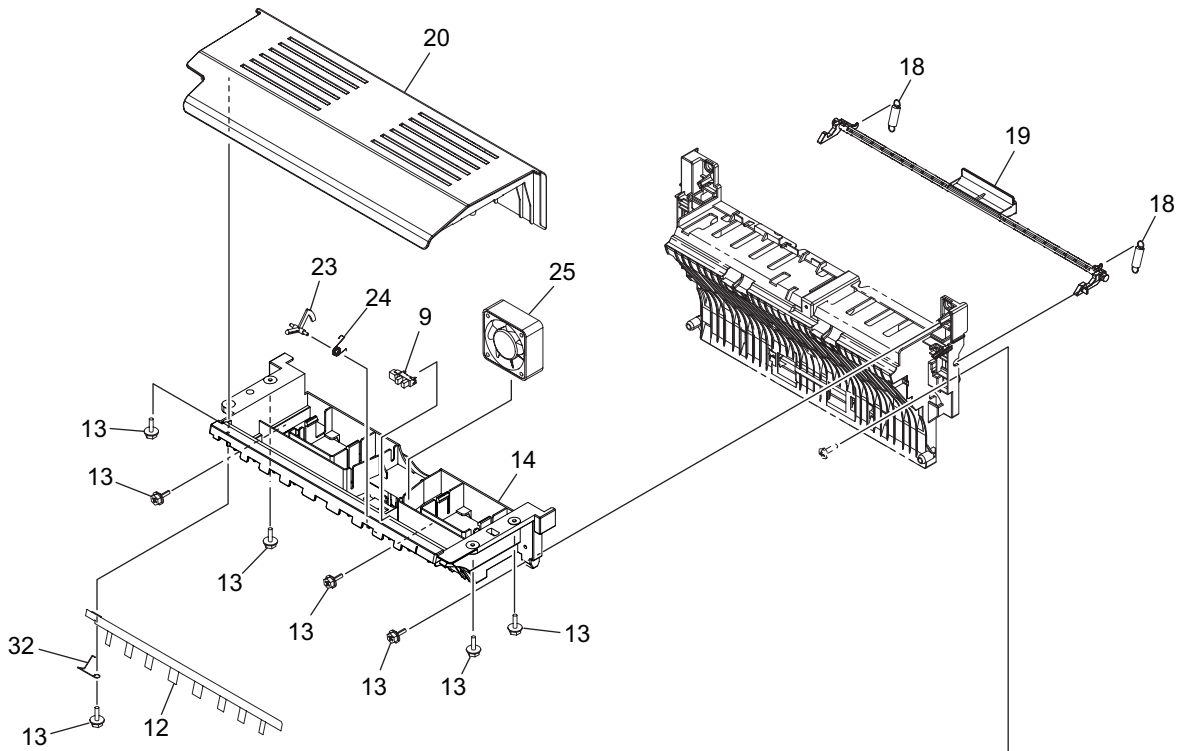


ITEM No.	PART No.	PART NAME	Q'TY / PAGE	Q'TY / PACK	REMARKS
1	X0-00966000	RR/E-5-SS	2	10/P	
2	X0-00077000	S/PAN/SWWP-M3X8-NI	3	10/P	
3	6LJ58045000	GUIDE-HRNS-AC	1	1/P	
4	6LK72411000	THMS-HTR-H413	1	1/KP	
5	6LK68005000	BRKT-THMS-H41X	3	1/P	
6	6LJ58063000	LVR-PR-H210-F2	1	1/P	
7 A	6LK68006000	ARM-PR-F-H410	1	1/P	eS2008A/2508A/3008A
7 B	6LK68046000	ARM-PR-F-H415	1	1/P	eS3508A/4508A/5008A
8 A	6LK68007000	ARM-PR-R-H410	1	1/P	eS2008A/2508A/3008A
8 B	6LK68047000	ARM-PR-R-H415	1	1/P	eS3508A/4508A/5008A
9	6LJ58042000	LVR-PR-H210-R	1	1/P	
10 A	6LK68048000	SPG-E-PR-H410-105N	2	1/P	eS2008A/2508A/3008A
10 B	6LK68049000	SPG-E-PR-H415-120N	2	1/P	eS3508A/4508A/5008A
11	6LJ58067000	GUIDE-PLT-THMST	1	1/P	
12	6LK68011000	GUIDE-HRNS-THMS-H41X	1	1/PP	
13	X0-00430000	S/BID-M3X6-NI	5	10/P	
14	6LK68004000	BRKT-FUSER-POS-R-H41X	1	1/P	
15	6LK72100000	HR-5008A-U	1	1/S	
16	6LJ58116000	6807ZZL1S1C4KZ-C	2	1/P	
17	6LJ58001000	GEAR-HR-H210	1	1/P	
18	6LJ58020000	BUSH-HR-H210	2	1/P	
19	6LH24640000	CRR-HT/RLR	2	1/P	
20 A	6LK72102000	HR-3008A-L	1	1/S	eS2008A/2508A/3008A
20 B	6LK72101000	HR-5008A-L	1	1/S	eS3508A/4508A/5008A
21 A	6LK68000000	ASYS-FRAME-HR-H410	1	1/C	eS2008A/2508A/3008A
21 B	6LK68000100	ASYS-FRAME-HR-H415	1	1/C	eS3508A/4508A/5008A
22	6LJ58088000	ROLL-FUS-GUIDE-H210	5	1/P	
23	6LK68009000	GUIDE-SCRAPER-H41X	1	1/PP	
24	6LK68054000	SPE-SCR-HR-H41X	5	1/P	
26	6LE58405000	SCRAPER-282	5	5/P	
28	6LJ58112000	WASHER-HR	1	1/P	
30	6LH36359000	SCREW-M3-D4X2.3	3	10/P	
31 A	6LK68028000	L-1680KKRPOP58LY500	2	1/P	eS2008A/2508A/3008A
31 B	6LJ58117000	R-1980KKRPOP58LY13	2	1/P	eS3508A/4508A/5008A

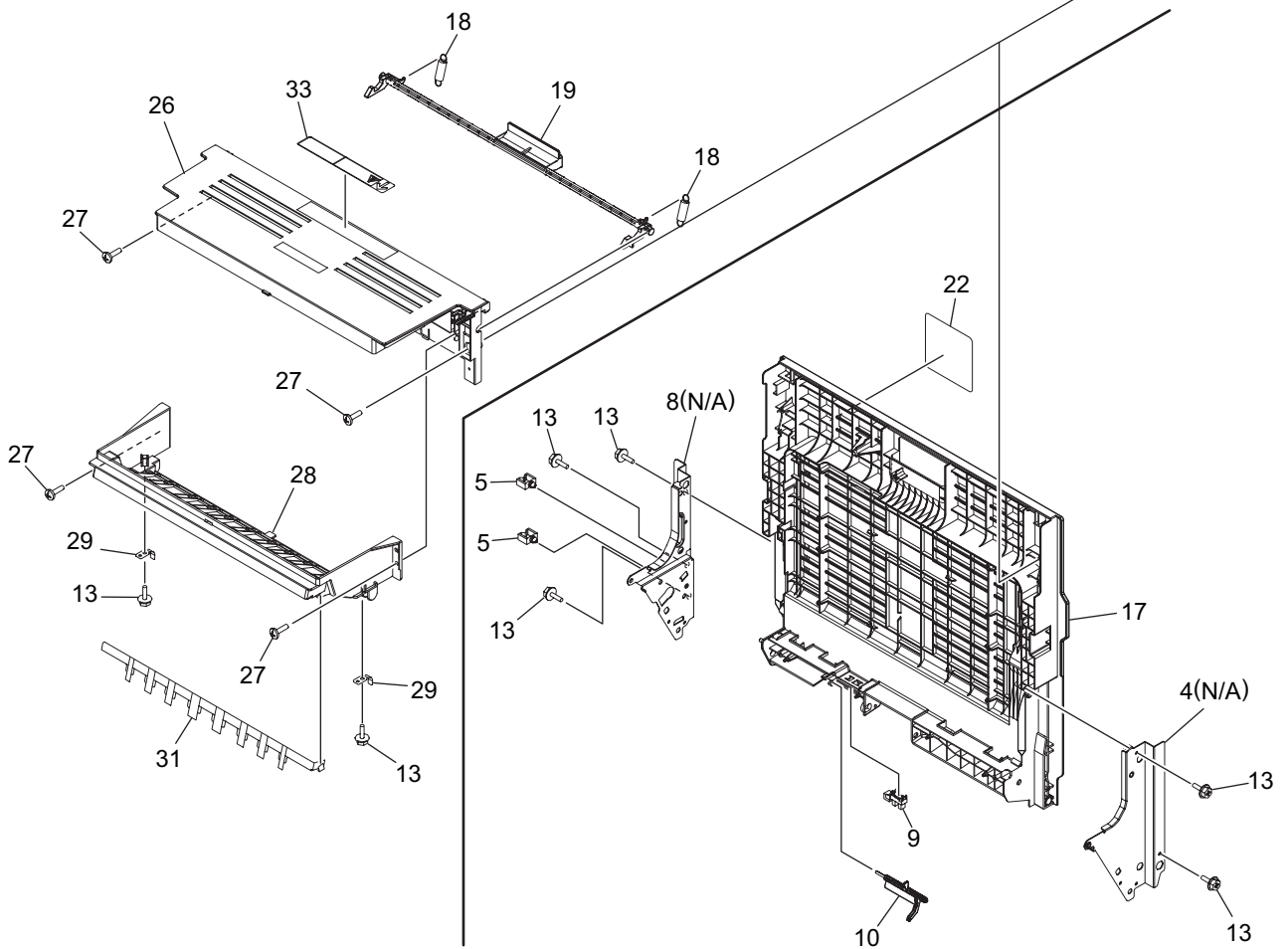


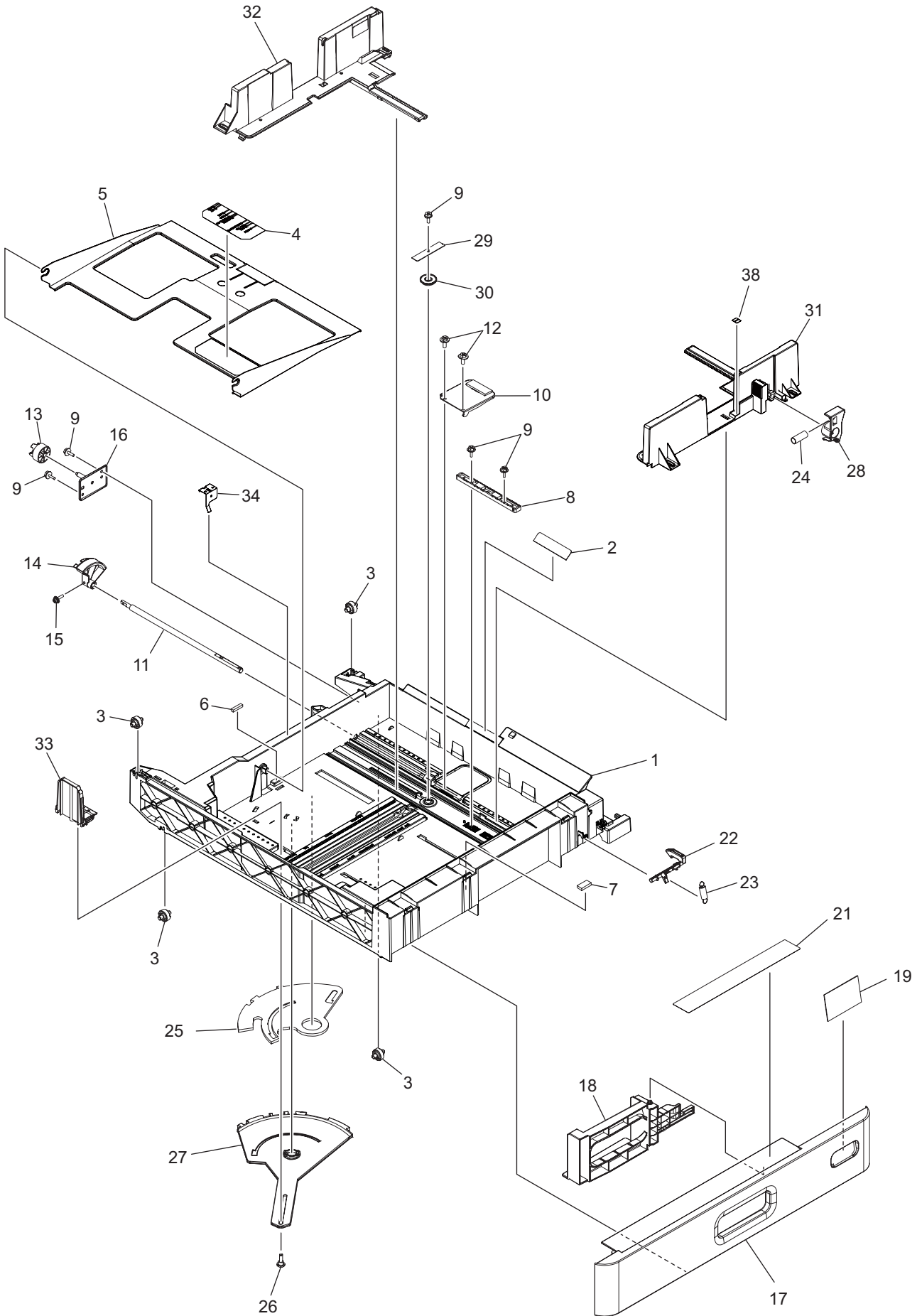


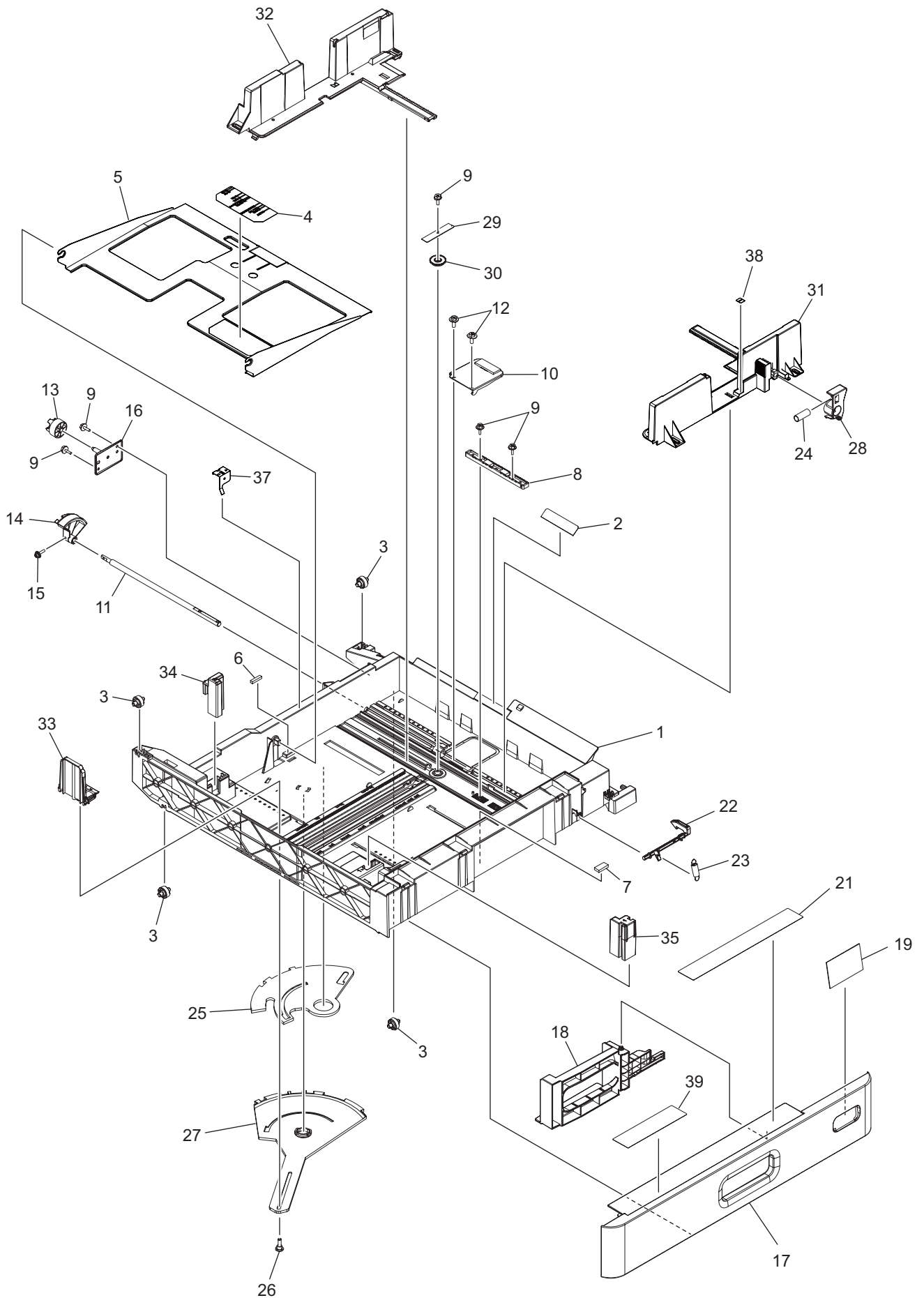
e-STUDIO3508A/4508A/5008A



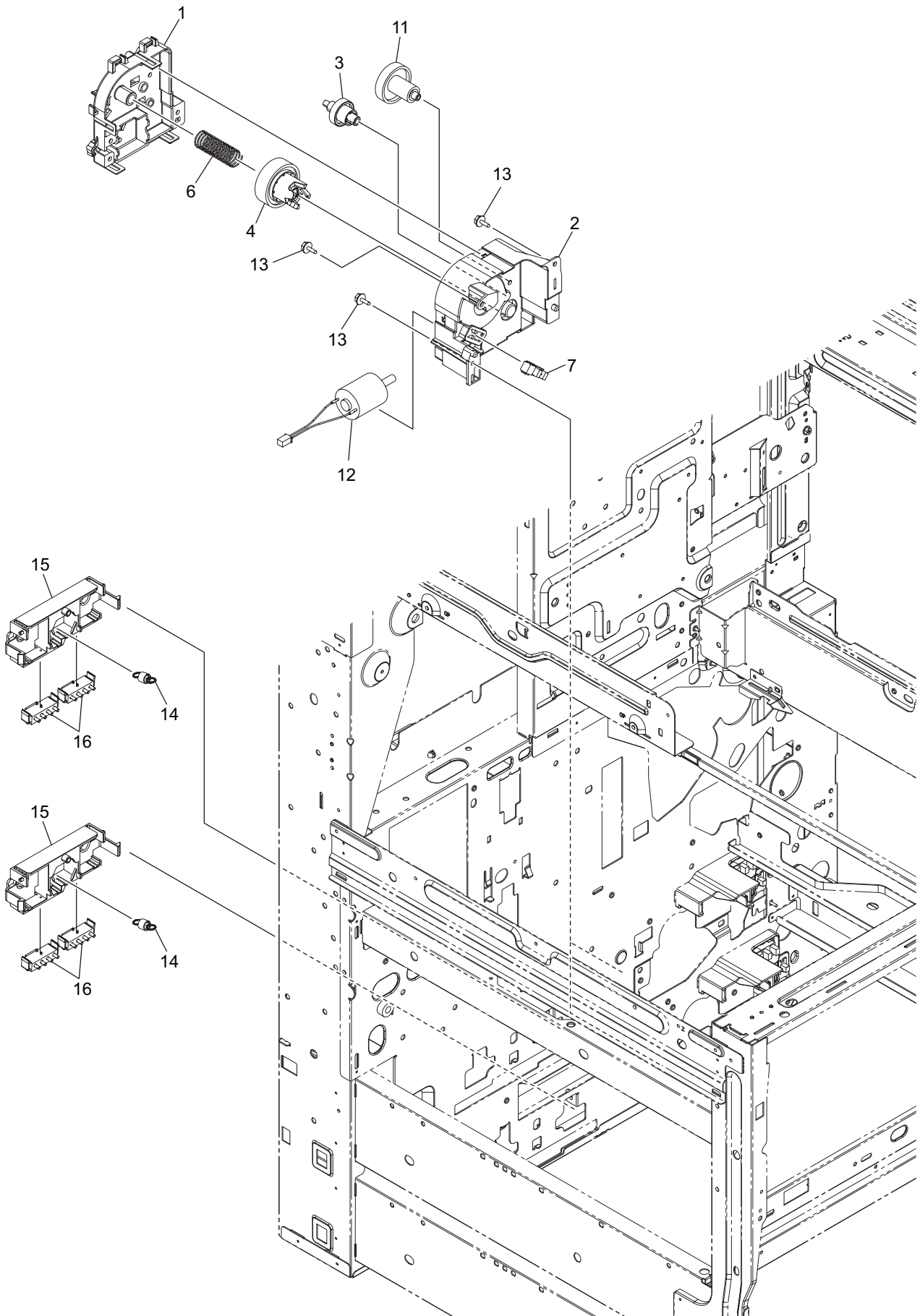
e-STUDIO2008A/2508A/3008A

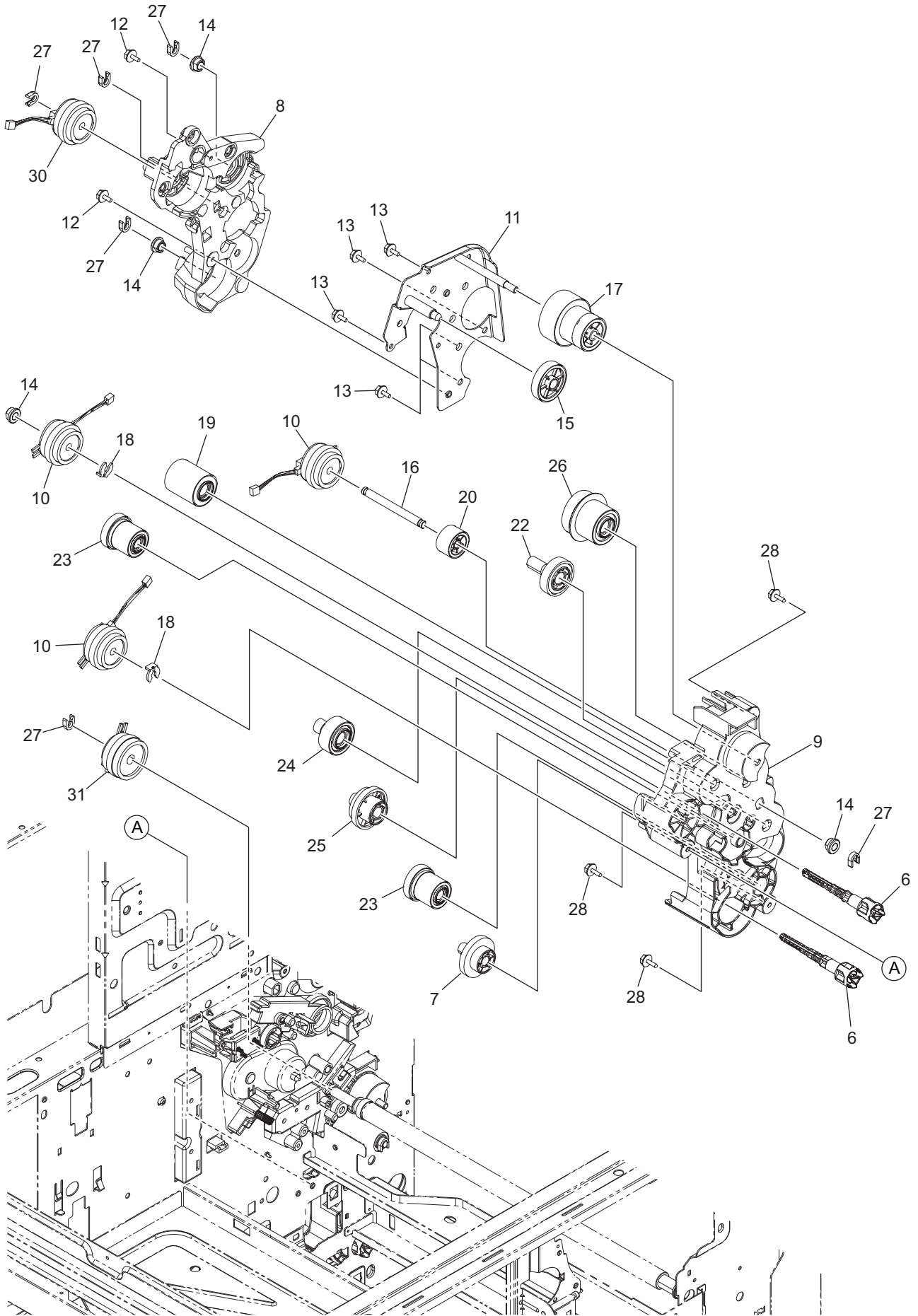


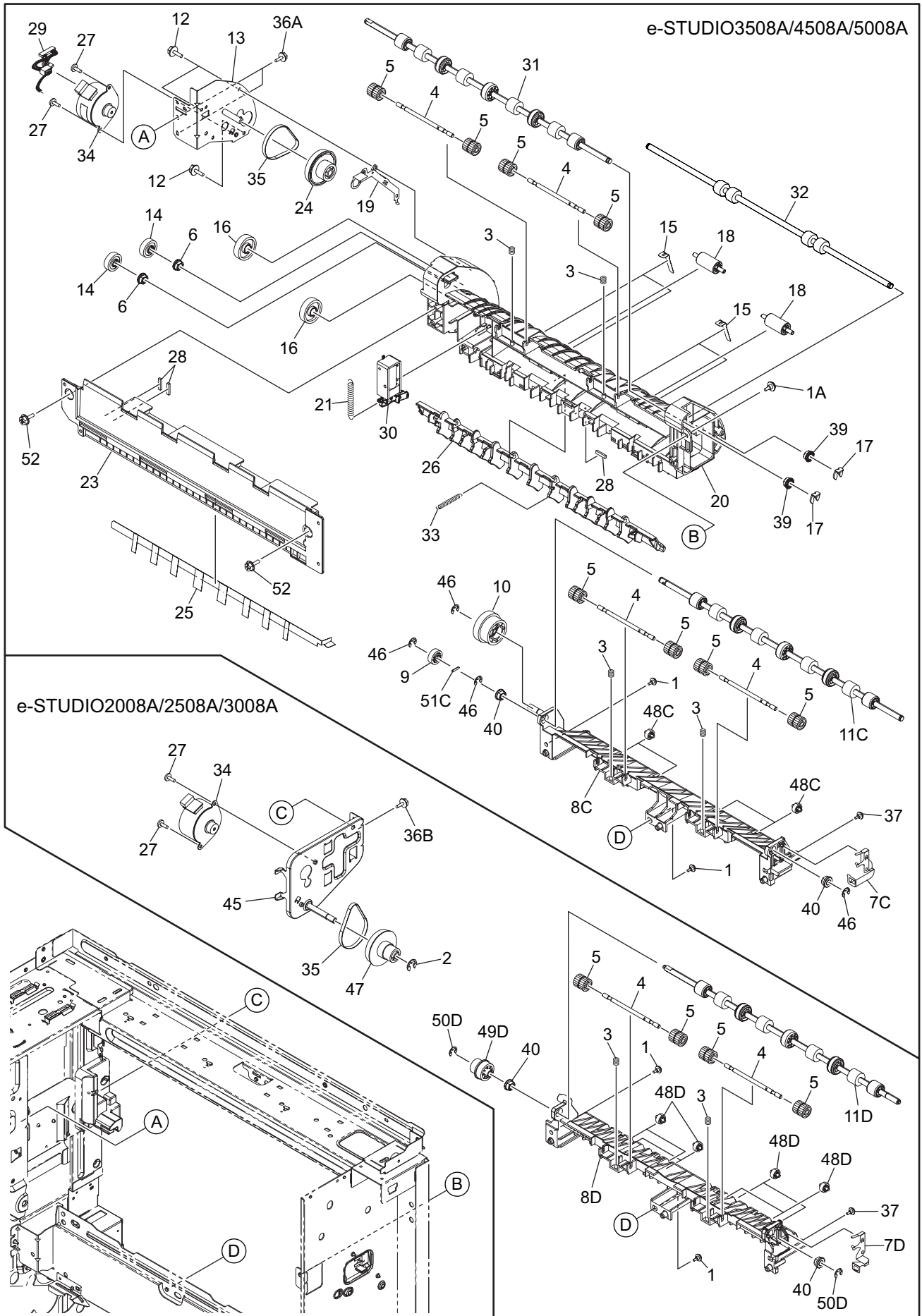




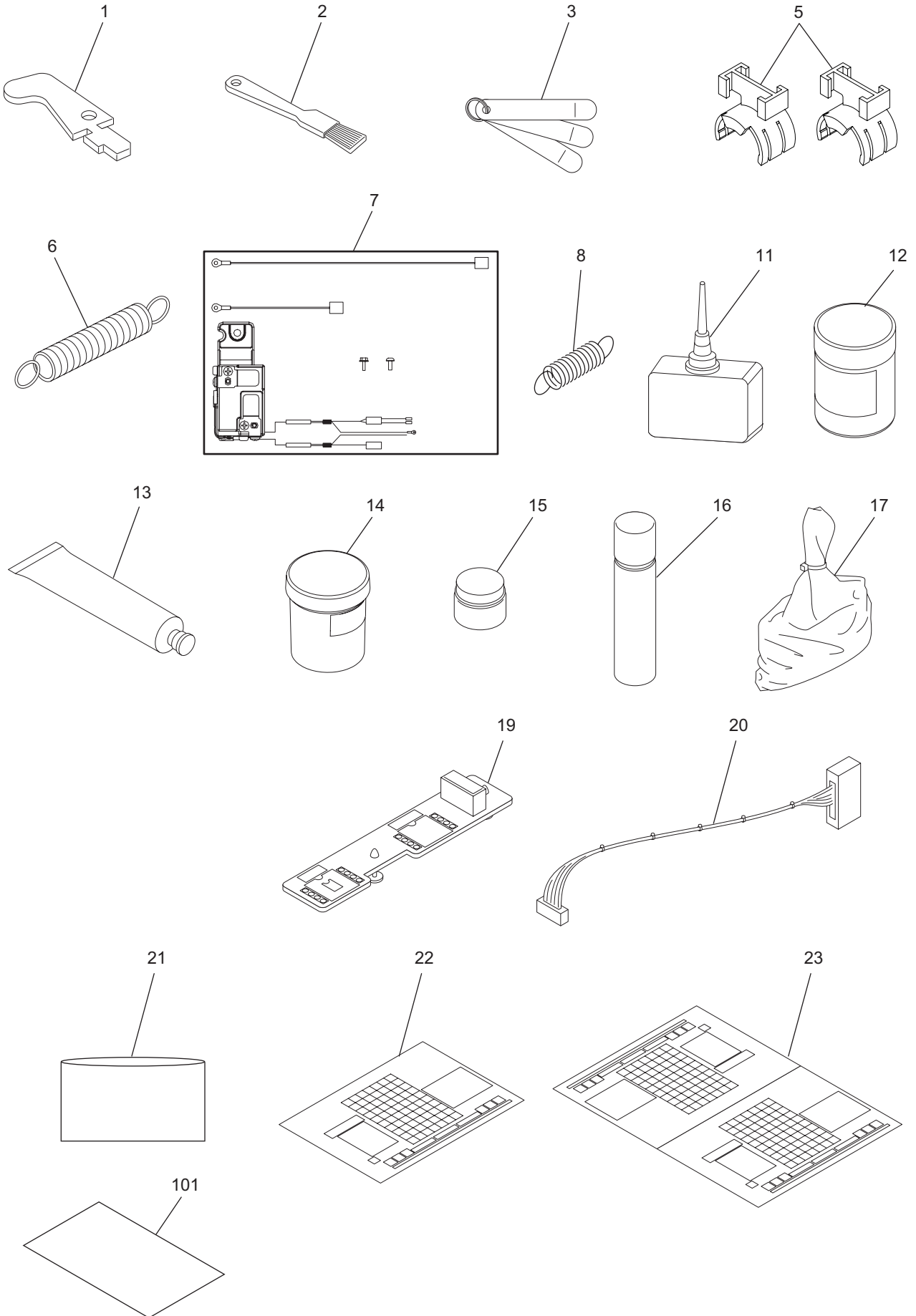
ITEM No.	PART No.	PART NAME	Q'TY / PAGE	Q'TY / PACK	REMARKS
1	6LJ56938000	CST-H21X-SR	1	1/PP	
2	6LJ66823000	SHEET-CST-H21X	1	1/P	
3	6LJ56845000	ROLL-CST-H21X	4	1/P	
4	6LK51246000	LBL_P-SIZE-LDA3-H373	1	1/KP	
5	6LK51242000	ASYS-TRAY-CST-H-H21X	1	1/P	
6	6LH51643000	CHSH-CST-F47X	1	1/P	
7	6LH05741000	CUSH-CST-S	1	1/P	
8	6LJ56815100	WALL-STOP-H21X_S	1	1/P	
9	X0-02247000	S/TPP/FHEXM-3X8-NI	5	10/P	
10	6LH05746000	ASYS-LEVER-ELV-CST-F43X	1	1/P	
11	6LJ56910000	SHAFT-ELV-CST-H21X	1	1/P	
12	X0-02235000	S/FHEXM-M4X8-NI	2	10/P	
13	6LJ56847100	CPG-TRAY-UP-H37X	1	1/P	
14	6LJ56832100	GEAR-DRV-TRAYUP-SFT-H37X	1	1/P	
15	X0-00094000	S/PAN/SWWP-M3X10-NI	1	10/P	
16	6LJ56851000	ASYS-PLATE-DRV-CST-H21X	1	1/P	
17	6LK51218000	COVER-CST-H373	1	1/PP	
18	6LJ56838200	HNDL-CST-H370	1	1/PP	
19 A	6LK51245000	SIZE-CST-37X-A4	1	1/KP	ARD,ASD,AUD,MJD,CND,CNS
19 B	6LK51245100	SIZE-CST-37X-LT	1	1/KP	NAD
21	6LK51249000	LBL_O-GUIDE-CST-H373	1	1/KP	
22	6LJ56925000	LVR-CST2-H-H21X_E_SHAFT	1	1/P	
23	6LJ56839000	SPG-E-8R9XR9X29R5	1	1/P	
24	6LA56695000	SPC-LVR-WALL-F	1	1/P	
25	6LH05721100	PUSHER-SIDE-CST-F43X_S	1	1/P	
26	6LH05511000	SCREW-M3X8-3.2-P	1	5/P	
27	6LK51260000	PUSHER-END-CST-F43X	1	1/PP	
28	6LJ56802100	LEVER-LOCK-WALL-H21X_S	1	1/P	
29	6LK51241000	PLT-WALL-GEAR-H370	1	1/P	
30	6LE53717000	GEAR-10S18-8-TRAY	1	1/P	
31	6LJ56957000	SLIDE-WALL-F-H21X-H	1	1/KP	
32	6LJ56872000	ASYS-SLIDE-WALL-R-H21X-H	1	1/PP	
33	6LJ56827100	WALL-END-CST-H-H21X_S	1	1/P	
34	6LJ56834000	WALL-LONGPAPER-R-H-H21X	1	1/P	
35	6LJ56833000	WALL-LONGPAPER-F-H-H21X	1	1/P	
37	6LJ56943000	SPG-F-TRAY-CST-H21Y	1	1/C	
38	6LJ56953000	LBL_P-SIZE-REF-H21X	1	1/P	
39	6LK66100000	LBL_O-GUIDE-LDA3-H41X	1	1/KP	

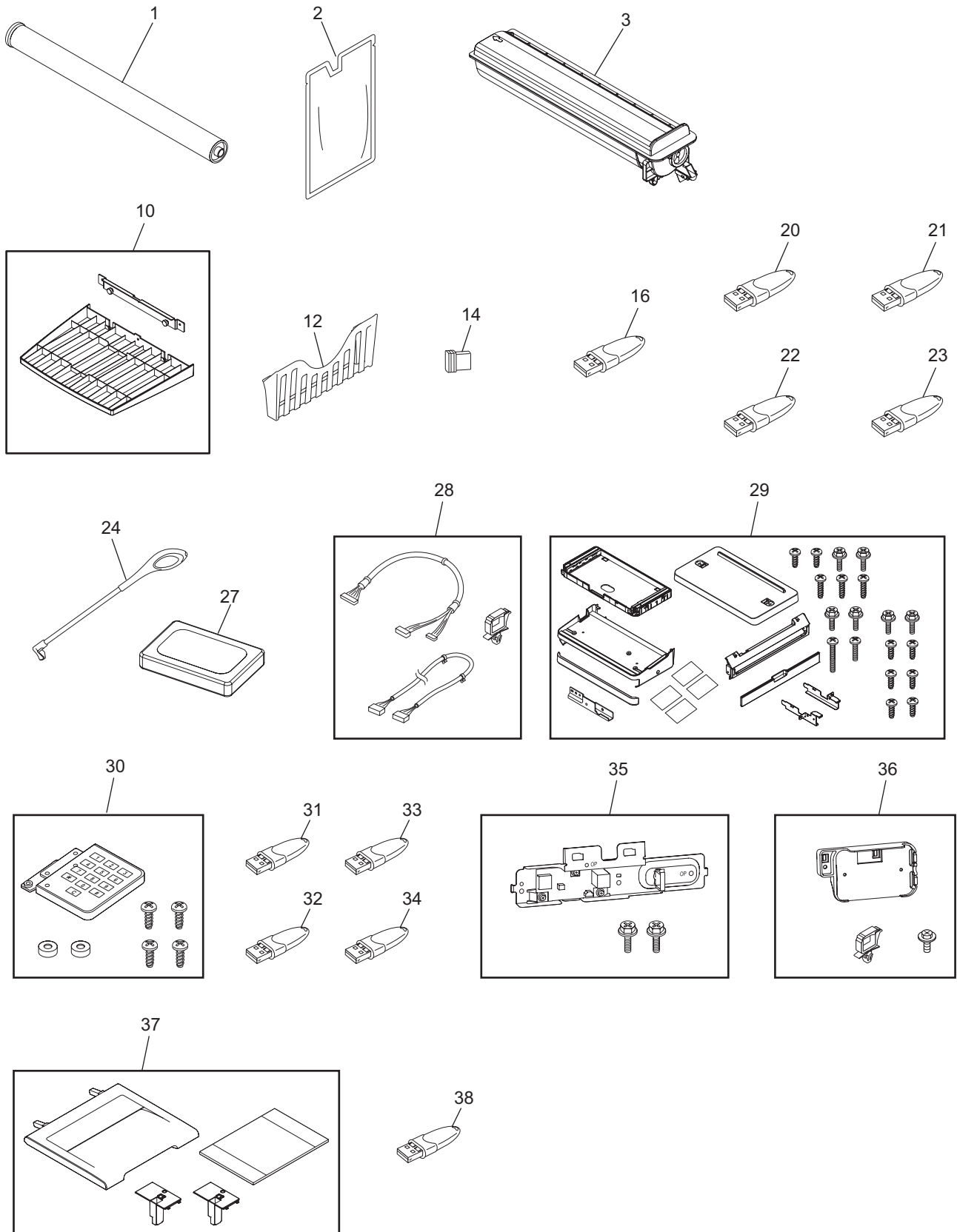






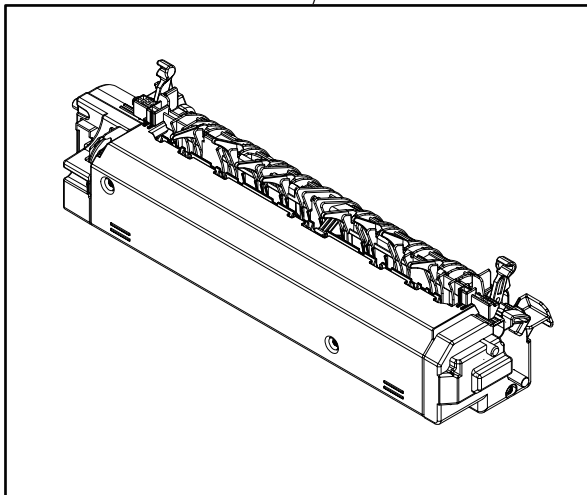
ITEM No.	PART No.	PART NAME	Q'TY / PAGE	Q'TY / PACK	REMARKS
1 A	6LA08937000	SCREW-BKT-DEV	3	10/P	eS3508A/4508A/5008A
1 B	6LA08937000	SCREW-BKT-DEV	2	10/P	eS2008A/2508A/3008A
2 B	X0-00965000	RR/E-4-SS	1	10/P	eS2008A/2508A/3008A
3 A	6LJ57614000	SPG-C-ROLL-EXIT-H21Y	4	1/P	eS3508A/4508A/5008A
3 B	6LJ57614000	SPG-C-ROLL-EXIT-H21Y	2	1/P	eS2008A/2508A/3008A
4 A	6LJ57801000	SHAFT-ROL-EXIT-L	4	1/P	eS3508A/4508A/5008A
4 B	6LJ57801000	SHAFT-ROL-EXIT-L	2	1/P	eS2008A/2508A/3008A
5 A	6LJ02514000	RLR-EXIT-L-EX	8	1/P	eS3508A/4508A/5008A
5 B	6LJ02514000	RLR-EXIT-L-EX	4	1/P	eS2008A/2508A/3008A
6 A	6LJ55543000	BUSH-6-BCF-050	2	1/P	eS3508A/4508A/5008A
7 C	6LK52351000	SPG-F-GND-EXIT-H373	1	1/C	eS3508A/4508A/5008A
7 D	6LK52037000	SPG-F-GND-EXIT-H370	1	1/C	eS2008A/2508A/3008A
8 C	6LK67402000	ASYS-GUIDE-EXIT-L-H415	1	1/PP	eS3508A/4508A/5008A
8 D	6LK67415000	ASYS-GUIDE-EXIT-L-H410	1	1/PP	eS2008A/2508A/3008A
9 C	6LJ69307000	GEAR-10S16-6	1	1/P	eS3508A/4508A/5008A
10 C	6LK67406000	GEAR-10S34-10S29	1	1/P	eS3508A/4508A/5008A
11 C	6LK67405000	ASYB-ROLL-EXIT-H415	1	1/KP	eS3508A/4508A/5008A
11 D	6LK52040000	ASYB-ROLL-EXIT-H370	1	1/PP	eS2008A/2508A/3008A
12 A	X0-02247000	S/TPP/FHEXM-3X8-NI	3	10/P	eS3508A/4508A/5008A
13 A	6LJ57601000	ASYS-BRKT-DRV-EXIT-U-H21Y	1	1/P	eS3508A/4508A/5008A
14 A	6LH54006000	GEAR-10S20-06	2	1/P	eS3508A/4508A/5008A
15 A	6LJ57610000	SPG-F-ROL-REV-H21Y	4	1/P	eS3508A/4508A/5008A
16 A	6LH54009000	GEAR-10S27-08	2	1/P	eS3508A/4508A/5008A
17 A	44201801000	STOP-RING-6-1.5	2	5/P	eS3508A/4508A/5008A
18 A	41316101000	ROLL-TRANS-IDLE	2	1/P	eS3508A/4508A/5008A
19 A	6LJ57635100	SPG-F-GND-EXIT-UPR-H373	1	1/C	eS3508A/4508A/5008A
20 A	6LK51907000	GUIDE-EXIT-UPR-H373	1	1/PP	eS3508A/4508A/5008A
21 A	6LK51908000	SPG-E-ARM-GATE-H373	1	1/P	eS3508A/4508A/5008A
23 A	6LJ57616100	COV-EXIT-UPR-H373	1	1/PP	eS3508A/4508A/5008A
24 A	6LJ57609000	GEAR-10S20_PS2M60-6-H21Y	1	1/P	eS3508A/4508A/5008A
25 A	6LJ57617000	BRUSH-EXIT-L-H21Y	1	1/KP	eS3508A/4508A/5008A
26 A	6LK51600000	GATE-ADU-H373	1	1/PP	eS3508A/4508A/5008A
27	X0-02069000	S/TPS/BID-3X6-ZU3	2	10/P	
28 A	6LJ57623000	DAMP-GATE-H21Y	3	5/P	eS3508A/4508A/5008A
29 A	6LJ61030000	HRNS-EXTMOT-212	1	1/P	eS3508A/4508A/5008A
30 A	6LK67409000	ASYS-SOL-07B-H410	1	1/C	eS3508A/4508A/5008A
31 A	6LK51905000	ASYB-ROLL-EXIT-U-H373	1	1/KP	eS3508A/4508A/5008A
32 A	6LJ57633000	ROLL-TRANS-UPR-H21Y	1	1/KP	eS3508A/4508A/5008A
33 A	6LK51903000	SPG-E-GATE-EXIT-H373	1	1/P	eS3508A/4508A/5008A
34	6LJ57816000	MOTR_S-EXIT-L-H21X	1	1/D	
35	6LJ58949000	BLT_SY-S2M-144-4	1	1/P	
36 A	X0-02420000	S/TPS/FHEXM/R-3X8-ZU3	2	10/P	eS3508A/4508A/5008A
36 B	X0-02420000	S/TPS/FHEXM/R-3X8-ZU3	1	10/P	eS2008A/2508A/3008A
37	6LA36749000	ASYS-SCREW-LSU-NI	1	5/P	
39 A	44201492000	BUSH-6-POM	2	5/P	eS3508A/4508A/5008A
40	4407734980	BUSH-6-GCB	2	5/P	
45 B	6LJ57804000	ASYS-BRKT-MOTR-EXIT	1	1/P	
46 C	X0-00966000	RR/E-5-SS	4	10/P	eS3508A/4508A/5008A
47 B	6LJ57807000	GEAR-10S16_PS2M60-6	1	1/P	eS2008A/2508A/3008A
48 C	6LE25931000	ROLL-FUS-GUIDE	4	1/P	eS3508A/4508A/5008A
48 D	6LE25931000	ROLL-FUS-GUIDE	8	1/P	eS2008A/2508A/3008A
49 D	6LJ57803000	GEAR-10S20-10S16-6	1	1/P	eS2008A/2508A/3008A
50 D	X0-00964000	RR/E-3-SS	2	10/P	eS2008A/2508A/3008A
51 C	X0-00980000	P/PRL/AH7-2X10-SS	1	10/P	eS3508A/4508A/5008A
52 A	X0-02683000	S/TPP/FHEXM-3X8-ZB3	2	5/P	eS3508A/4508A/5008A



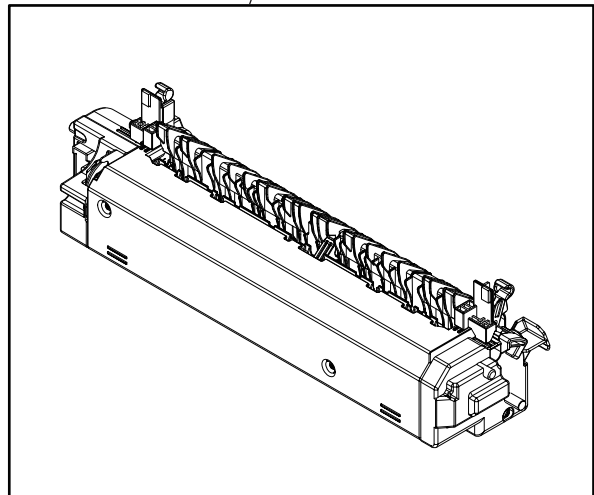


ITEM No.	PART No.	PART NAME	Q'TY / PAGE	Q'TY / PACK	REMARKS
1	6LH58311000	OD-4530	1	1/S	
2	6LK28272000	D-5070	1	1/S	
3 A	6AK00000322	PS-ZT3008U(1)	1	SUPPLY	NAD
3 B	6AJ00000151	PS-ZT3008E(1)	1	SUPPLY	MJD
3 C	6AG00007041	PS-ZT3008P(1)	1	SUPPLY	AUD,ASD
3 D	6AG00007032	PS-ZT3008C(1)	1	SUPPLY	CND
3 E	6AG00007051	PS-ZT3008CM(1)	1	SUPPLY	CND
3 F	6AG00007675	PS-ZT5070T(1)	1	SUPPLY	TWD
3 G	6AG00007047	PS-ZT3008C(8)	1	SUPPLY	CND
3 H	6AG00007036	PS-ZT3008CM(8)	1	SUPPLY	CND
10 A	6AR00000925	KK-5005	1	SUPPLY	Work Tray (All except CND)
10 B	6AR00000926	KK-5005C	1	SUPPLY	Work Tray (CND)
12 A	6AR00001025	KK-5008	1	SUPPLY	Manual Pocket (All except CND)
12 B	6AR00001026	KK-5008C	1	SUPPLY	Manual Pocket (CND)
14 A	6AG00007054	GN-4020	1	SUPPLY	Wireless LAN Module (All except CND)
14 B	6AG00007055	GN-4020C	1	SUPPLY	Wireless LAN Module (CND)
16	6A000001051	GP-1070	1	SUPPLY	Data Overwrite enabler (All except NAD/ARD)
20	6A000001055	GS-1010	1	SUPPLY	Meta scan enabler
21	6A000001057	GS-1020	1	SUPPLY	External interface enabler
22	6A000001053	GP-1080	1	SUPPLY	IPSec enabler (All except CND)
23	6A000001309	GS-1007	1	SUPPLY	Unicode Font Enabler
24	6A000001733	KK-2560	1	SUPPLY	Accessible Arm
27	6AG00006088	GE-1230	1	SUPPLY	FIPS HDD option (All except NAD/CND)
28	6A000001699	GQ-1280	1	SUPPLY	Harness kit for coin controller
29 A	6AH00000919	GR-1250	1	SUPPLY	Accessory Tray (All except CND)
29 B	6AH00000920	GR-1250C	1	SUPPLY	Accessory Tray (CND)
30 A	6AR00000993	GR-1260	1	SUPPLY	Panel Ten Key Option (All except CND)
30 B	6AG00007800	GR-1260C	1	SUPPLY	Panel Ten Key Option (CND)
31	6A000001700	GS-1080	1	SUPPLY	Embedded OCR Enabler
32	6A000001711	GS-1085	1	SUPPLY	Embedded OCR Enabler (All except ASD)
33	6A000001715	GS-1090	1	SUPPLY	Multi Station Print Enabler
34	6A000001704	GS-1095	1	SUPPLY	Multi Station Print Enabler (All except ASD)
35 A	6AG00007152	GR-1270	1	SUPPLY	USB Hub Option (All except CND)
35 B	6AG00007153	GR-1270C	1	SUPPLY	USB Hub Option (CND)
36 A	6AG00007775	GR-1290	1	SUPPLY	Card Reader Holder (All except CND)
36 B	6AG00007776	GR-1290C	1	SUPPLY	Card Reader Holder (CND)
37 A	6AG00006726	KA-5005PC	1	SUPPLY	Platen Cover (All except CND)
37 B	6AG00006727	KA-5005PCC	1	SUPPLY	Platen Cover (CND)
38	6A000001731	GM-2280	1	SUPPLY	Printer Scanner Enabler (ASD)

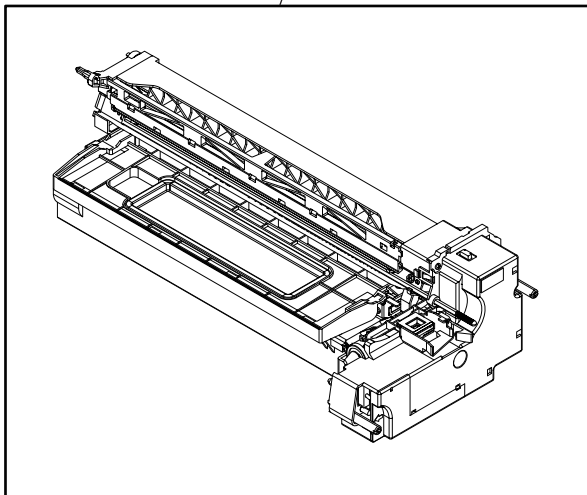
1A,B

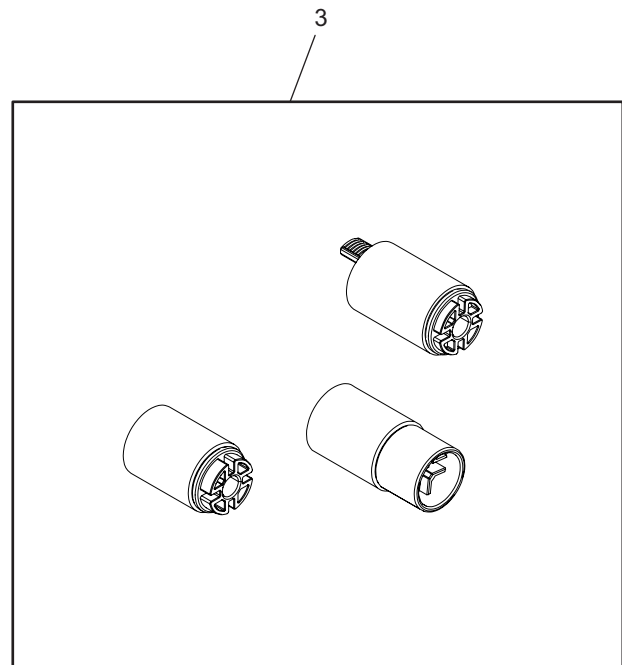
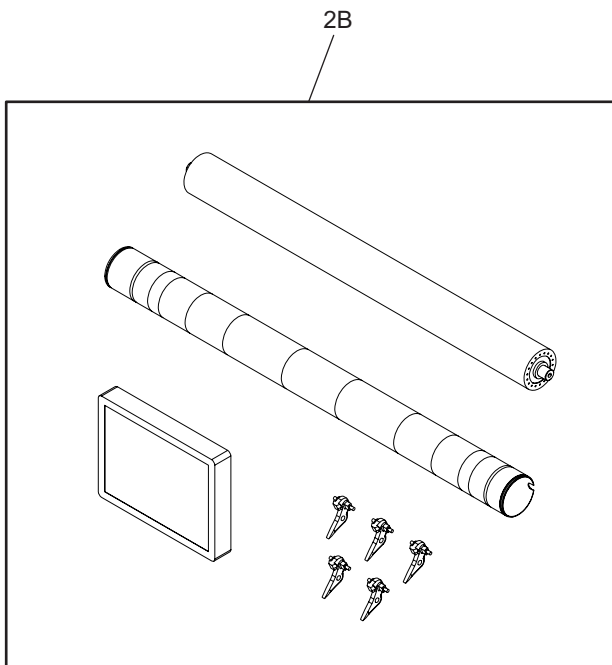
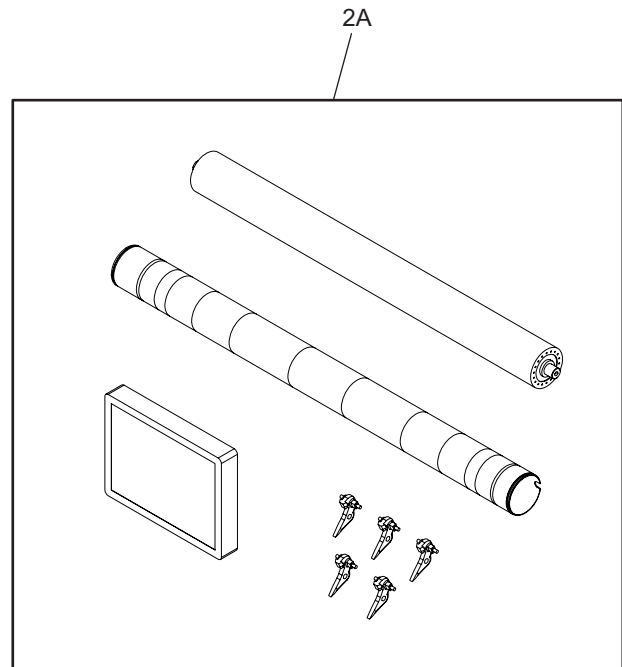
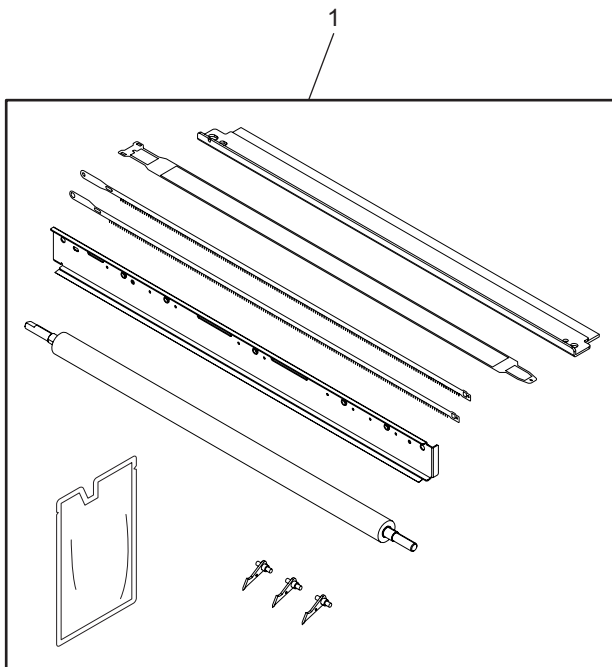


1C,D



2





TOSHIBA

TOSHIBA TEC CORPORATION

1-11-1, OSAKI, SHINAGAWA-KU, TOKYO, 141-8562, JAPAN