

TOSHIBA

SERVICE PARTS LIST

MULTIFUNCTIONAL DIGITAL COLOR SYSTEMS

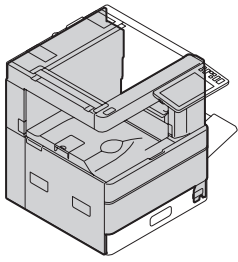
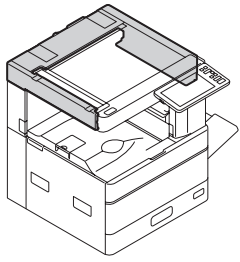
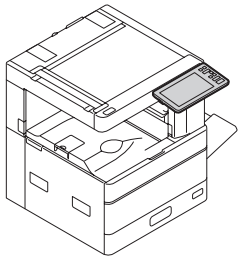
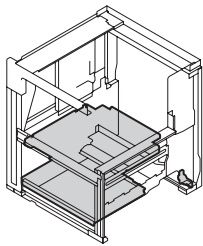
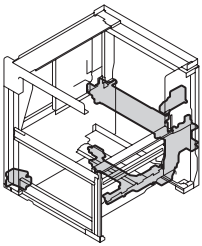
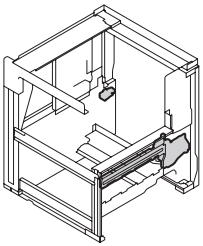
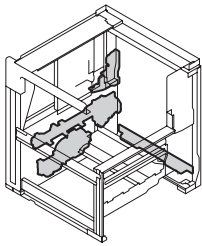
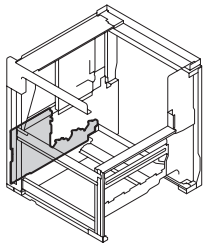
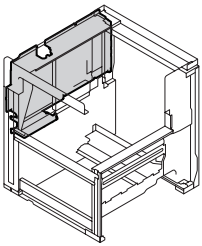
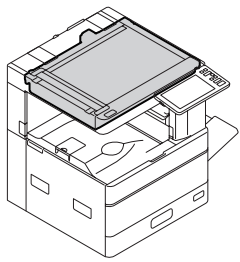
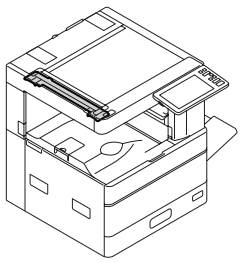
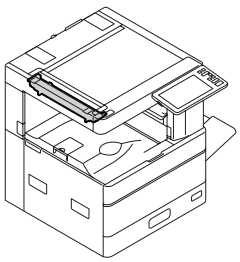
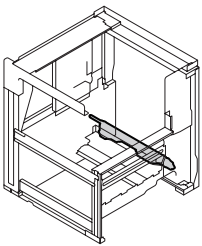
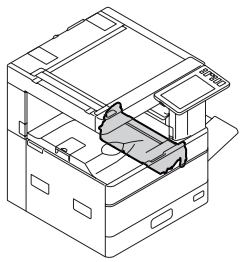
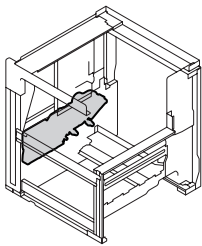
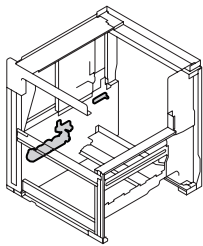
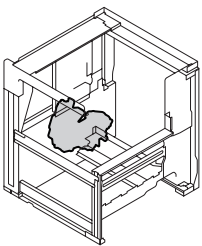
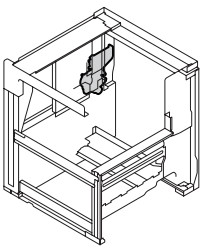
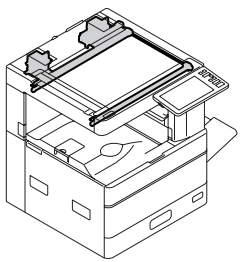
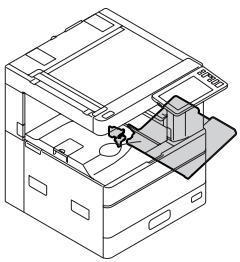
e-STUDIO2000AC/2500AC

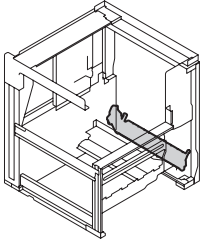
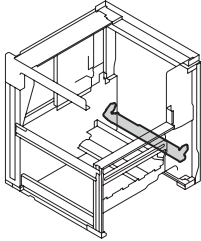
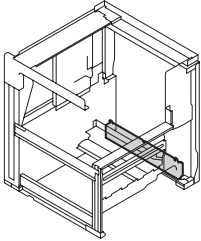
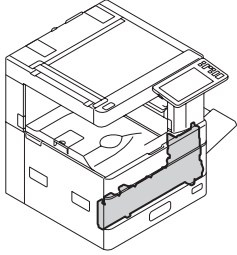
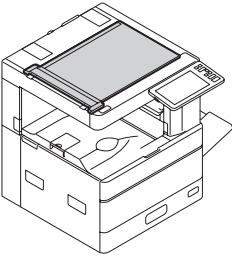
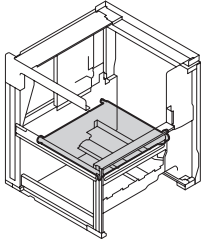
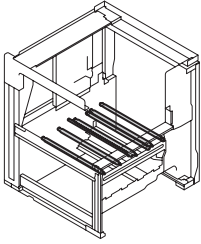
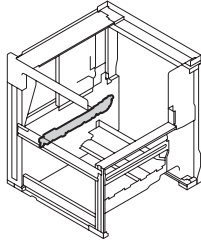
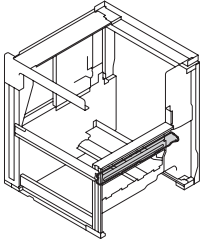
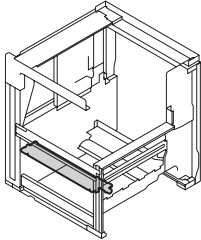
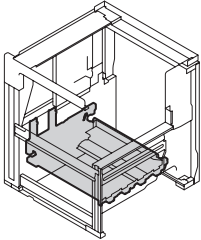
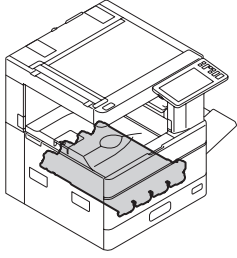
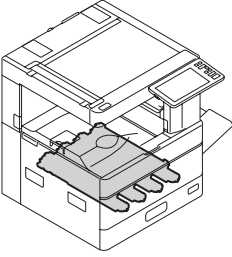
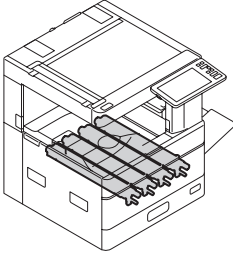
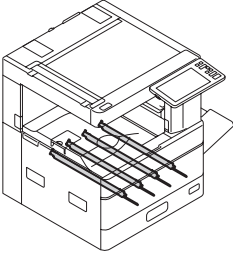
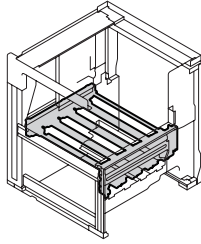
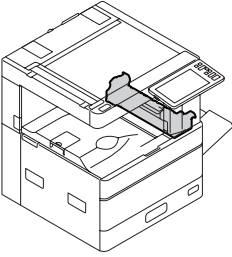
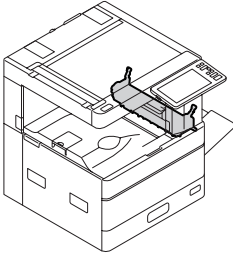
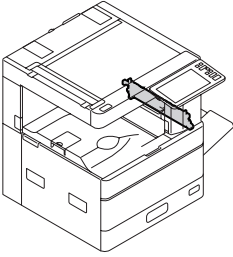
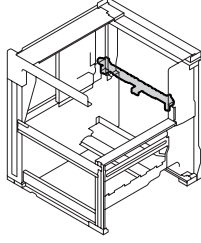
© 2016 TOSHIBA TEC CORPORATION All rights reserved

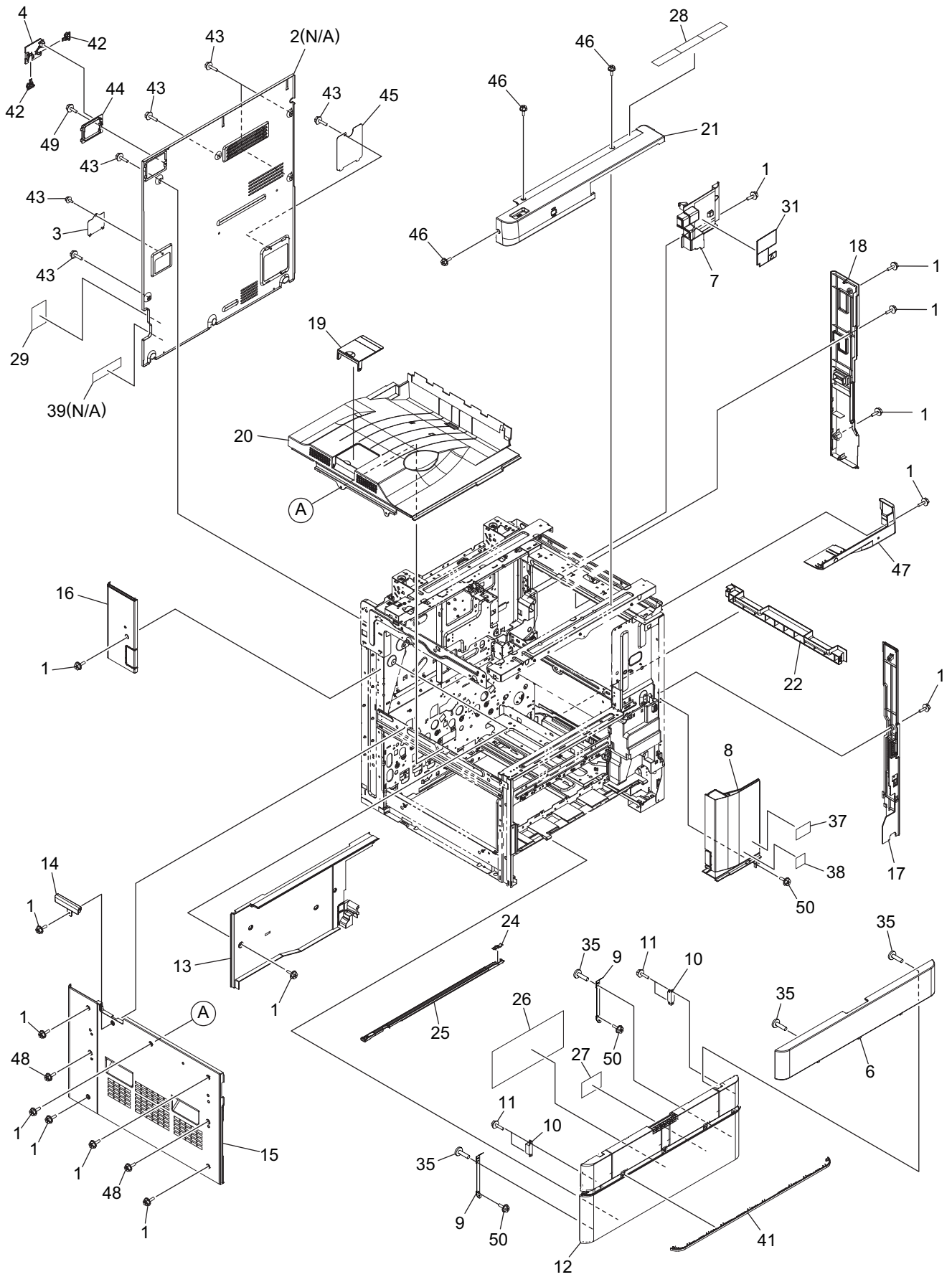
Under the copyright laws, this manual cannot be reproduced in any form without prior written permission of TOSHIBA TEC CORPORATION. No patent liability is assumed, however, with respect to the use of the information contained herein.

CONTENTS

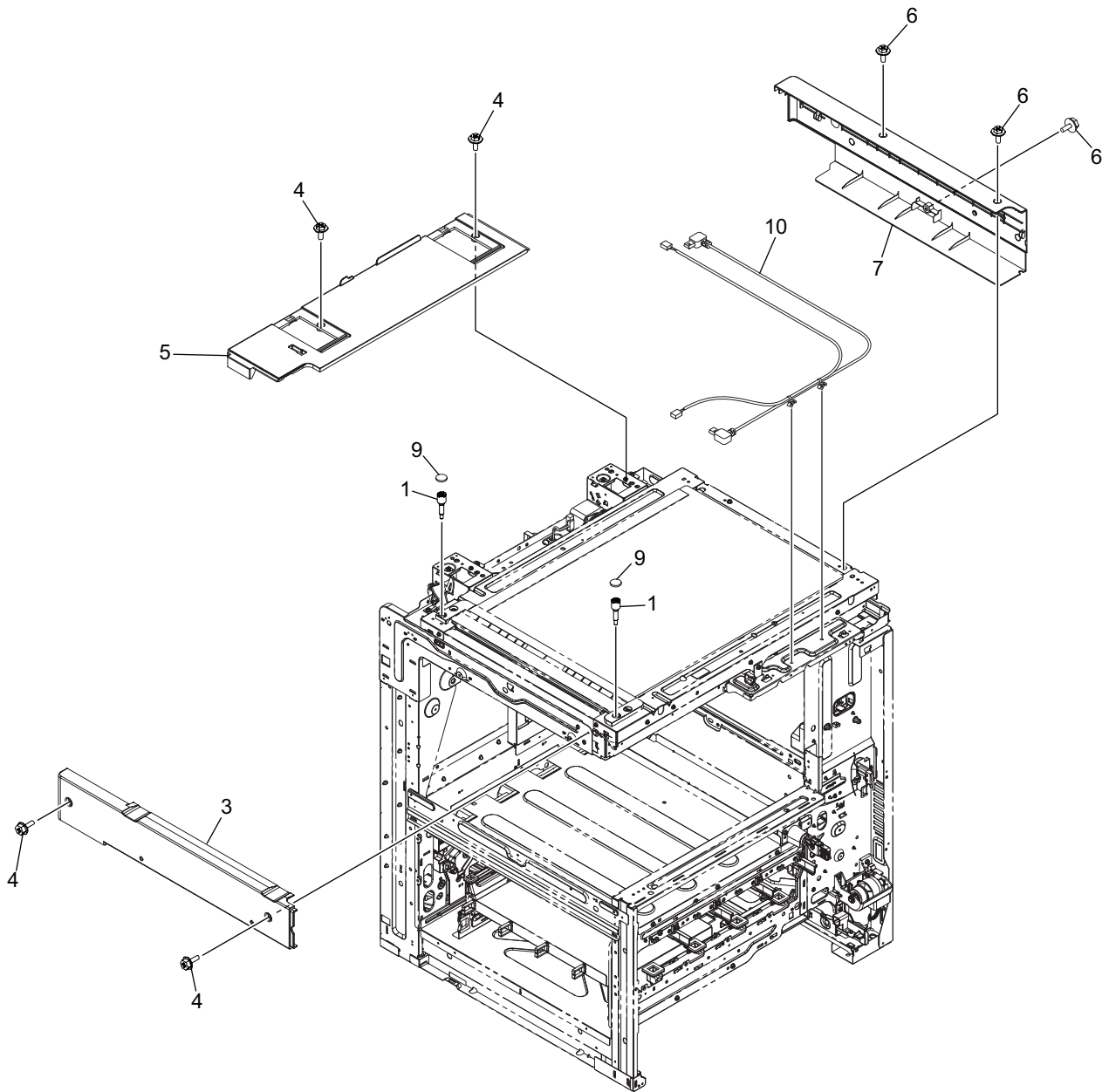
COVER-1-ASY	1	ADU-1-ASY	41
COVER-2-ASY	2	ADU-2-ASY	42
CONTROL-PANEL-ASY.....	3	DRAWER-ASY	43
FRAME-1-ASY	4	JIGS & GREASE.....	101
FRAME-2-ASY	5	SUPPLIES.....	102
FRAME-3-ASY	6	REPLACE UNIT	103
FRAME-4-ASY	7	PM-KIT	104
ELECTRIC-ASY	8		
CASE-SYS-LGC-ASY	9		
OPTICAL-FRAME-ASY.....	10		
CRG-1-ASY.....	11		
CRG-2-ASY.....	12		
GUIDE-RGST-ASY.....	13		
TRU-ASY.....	14		
DRIVE-DRUM-1-ASY.....	15		
DRIVE-DRUM-2-ASY.....	16		
PAPER-FEED-DRIVE-ASY	17		
DRIVE-FUSER_EXIT-ASY.....	18		
OPTICAL-DRIVE.....	19		
BYPASS-ASY.....	20		
BYPASS-FEEDER-ASY	21		
RGST-GUIDE	22		
FEEDER-GUIDE-ASY	23		
DRIVE-WTNR-ASY	24		
GLASS-ASY.....	25		
TBU-ASY-1.....	26		
TBU-ASY-2.....	27		
TBU-ASY-3.....	28		
TBU-ASY-4.....	29		
TBU-ASY-5.....	30		
EPU-GUIDE-ASY	31		
DEVELOPER-ASY-1	32		
DEVELOPER-ASY-2	33		
CLEANER-ASY-1	34		
CLEANER-ASY-2	35		
TNR-DRIVE-ASY	36		
FUSER-ASY-1	37		
FUSER-ASY-2	38		
FUSER-ASY-3.....	39		
EXIT-L-ASY	40		

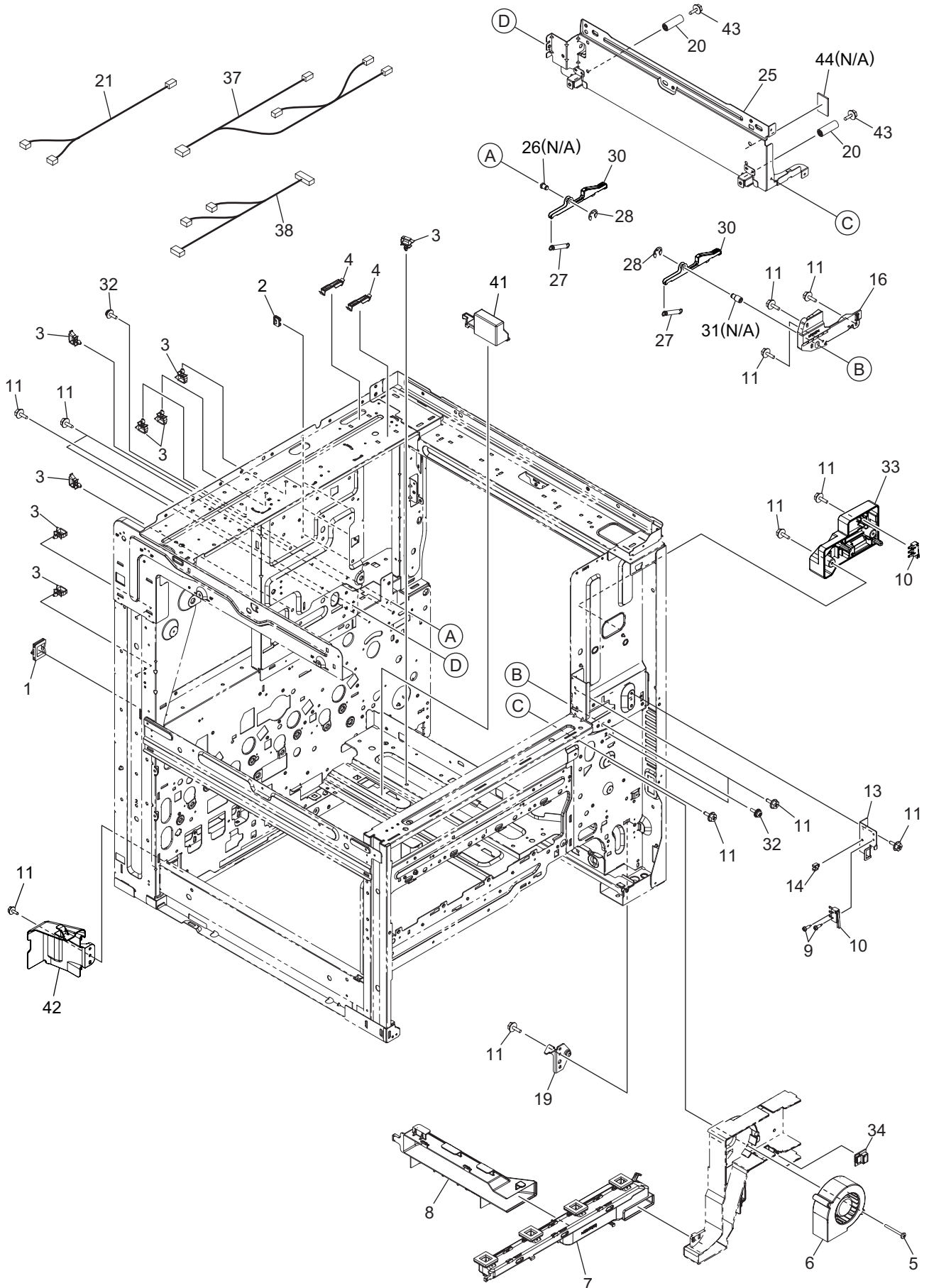
<p>1. COVER-1-ASY</p> 	<p>2. COVER-2-ASY</p> 	<p>3. CONTROL-PANEL-ASY</p> 	<p>4. FRAME-1-ASY</p> 
<p>5. FRAME-2-ASY</p> 	<p>6. FRAME-3-ASY</p> 	<p>7. FRAME-4-ASY</p> 	<p>8. ELECTRIC-ASY</p> 
<p>9. CASE-SYS-LGC-ASY</p> 	<p>10. OPTICAL-FRAME-ASY</p> 	<p>11. CRG-1-ASY</p> 	<p>12. CRG-2-ASY</p> 
<p>13. GUIDE-RGST-ASY.</p> 	<p>14. TRU-ASY</p> 	<p>15. DRIVE-DRUM-1-ASY</p> 	<p>16. DRIVE-DRUM-2-ASY</p> 
<p>17. PAPER-FEED-DRIVE-ASY</p> 	<p>18. DRIVE-FUSER_EXIT-ASY</p> 	<p>19. OPTICAL-DRIVE</p> 	<p>20. BYPASS-ASY</p> 

<p>21. BYPASS-FEEDER-ASY</p> 	<p>22. RGST-GUIDE</p> 	<p>23. FEEDER-GUIDE-ASY</p> 	<p>24. DRIVE-WTNR-ASY</p> 
<p>25. GLASS-ASY</p> 	<p>26. TBU-ASY-1</p> 	<p>27. TBU-ASY-2</p> 	<p>28. TBU-ASY-3</p> 
<p>29. TBU-ASY-4</p> 	<p>30. TBU-ASY-5</p> 	<p>31. EPU-GUIDE-ASY</p> 	<p>32. DEVELOPER-ASY-1</p> 
<p>33. DEVELOPER-ASY-2</p> 	<p>34. CLEANER-ASY-1</p> 	<p>35. CLEANER-ASY-2</p> 	<p>36. TNR-DRIVE-ASY</p> 
<p>37. FUSER-ASY-1</p> 	<p>38. FUSER-ASY-2</p> 	<p>39. FUSER-ASY-3</p> 	<p>40. EXIT-L-ASY</p> 

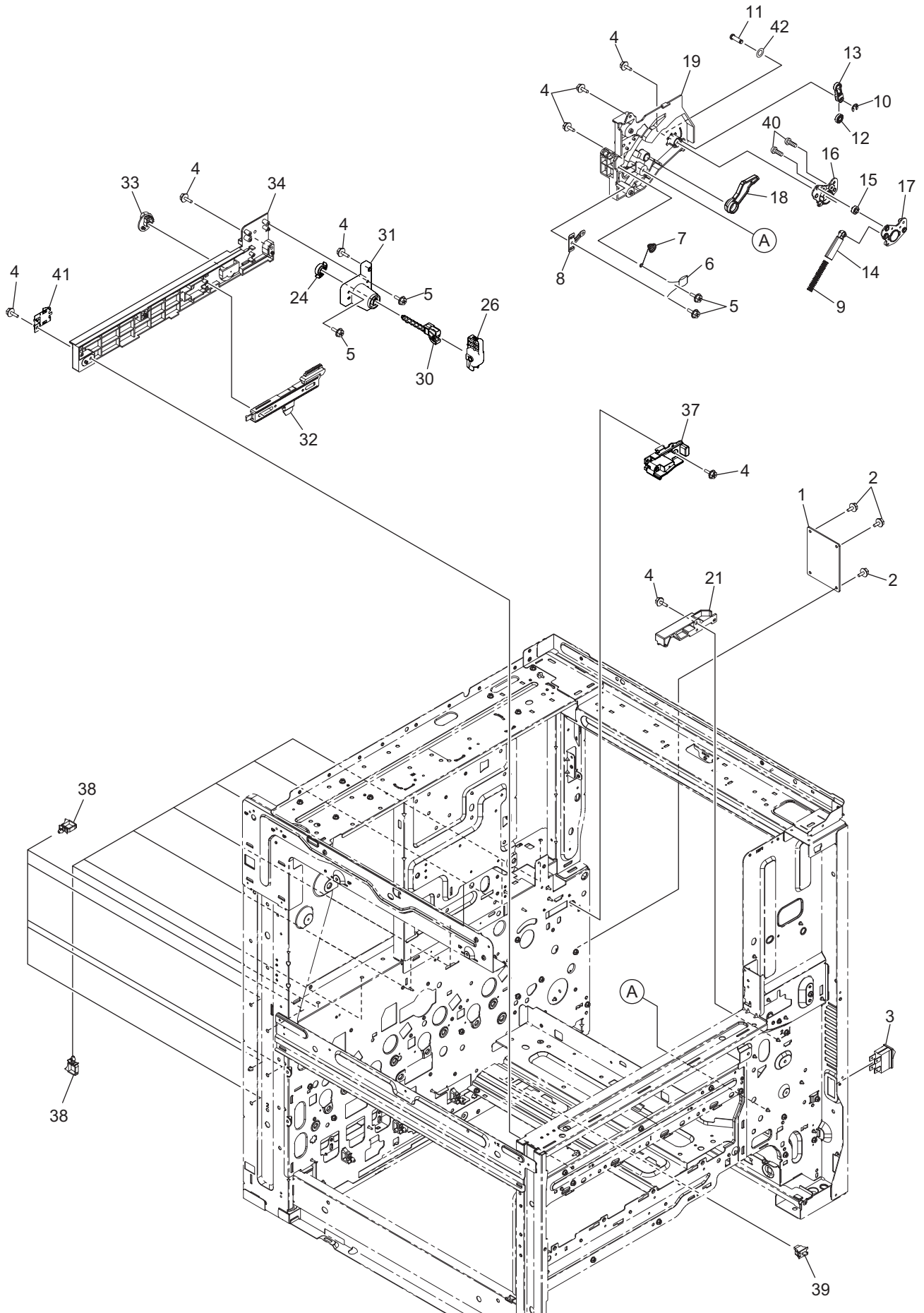


ITEM No.	PART No.	PART NAME	Q'TY / PAGE	Q'TY / PACK	REMARKS
1	X0-02681000	S/TPD3/FHEXM/R-3X8-ZB3	14	10/P	
2 A	6LK48723000	COVER-REAR-H370NM	1	N/A***	NAD,MJD
2 B	6LK48723100	COVER-REAR-H370W	1	N/A***	ASD,AUD,ARD,CND
3	6LE06344000	BLIND-KEY-CTR-390	1	1/P	
4	6LK48725000	COVER-DF_FIN-CNT-H370	1	1/P	
6 A	6LK48740000	ASYS-COV-DECO-FC2000	1	1/P	eS2000AC
6 B	6LK48740100	ASYS-COV-DECO-FC2500	1	1/P	eS2500AC
7 A	6LK48737000	ASYS-COV-FUS-R-H370	1	1/PP	NAD,MJD,ASD,AUD,ARD
7 B	6LK48737100	ASYS-COV-FUS-R-H370_C	1	1/PP	CND
8	6LK48705000	COVER-FRT-PILLAR-H370	1	1/PP	
9	6LJ53780000	MYLAR-BAND-COV-FRT	2	1/P	
10	F0-01394000	CA-0131B	2	1/P	
11	X0-02248000	S/TPP/FHEXM-3X10-NI	4	10/P	
12	6LK48717000	COVER-FRONT-H370	1	1/PP	
13	6LJ53707600	COVER-TRAY-BACK-H370	1	1/PP	
14	6LK48711000	COVER-LEFT-2-H370	1	1/P	
15	6LK48706000	COVER-LEFT-H370	1	1/PP	
16	6LK48707000	COVER-LEFT-REAR-H370	1	1/PP	
17	6LK48718000	COVER-FRT-PILLAR-R-H370	1	1/PP	
18	6LK48719000	COVER-RIGHT-REAR-H370	1	1/PP	
19	6LH52423700	COVER-STOP-PAPER-470-N_B	1	1/P	
20	6LJ53764200	COVER-TRAY-H21X-H370_B	1	1/PP	
21	6LK48733000	ASYS-COV-TP-FRT-H370	1	1/PP	
22	6LJ53716200	COVER-RGT-BOTTOM-LOW_B	1	1/PP	
24	6LK49474000	ASYS-PAD-CLNR-LED	1	1/P	
25	6LK49473000	ASYS-ROD-CLNR-LED	1	1/P	
26	6LK48758000	SHEET-GUIDANCE-H370	1	1/KP	
27	4406550190	LBL-HVT-BIT	1	5/P	
28 A	6LK54437000	LBL-PROHIBIT-U-H37X	1	1/KP	NAD
28 B	6LK54440000	LBL-PROHIBIT-C-H37X	1	1/KP	CND
28 C	6LK54438000	LBL-PROHIBIT-E-H37X	1	1/KP	MJD,ASD,AUD,ARD
29 A	6LK54463000	LBL-SERVICE-CABLE-N	1	1/KP	MJD
29 B	6LA56227000	LBL-SERVICE-45C	1	5/KP	CND
31 A	6LK52027000	LBL-HOT-H370	1	1/P	NAD,MJD,ASD,AUD,ARD
31 B	6LK52028000	LBL-HOT-H370-C	1	1/P	CND
35	X0-01989000	S/TPP/BID-3X8-NI	4	10/P	
37 A	6LK54442000	LBL-E-BRIDGE-BK	1	1/P	NAD,MJD,ASD,AUD,ARD
38	6LJ84150000	LBL-ENERGY-T-PP-16	1	5/P	
39 A	6LJ68385000	LBL-NAD-FCC-2	1	N/A***	
41	6LK48703000	COVER-RIM-H370	1	1/PP	
42	6LK48727000	COVER-DF-SUB-H373	2	1/P	
43	X0-02230000	S/FHEXM-M3X6-NI	7	10/P	
44	6LK48726000	COVER-INNER-DF-FIN	1	1/P	
45	6LH52427000	COVER-REAR-SUB	1	1/P	
46	X0-02672000	S/FHEXM-M3X8-ZB3	3	10/P	
47	6LK48736000	COV-FRT-PILLAR-U	1	1/PP	
48	X0-02678000	S/TPS/FHEXM/R-4X8-ZB3	2	10/P	
49	X0-02671000	S/FHEXM-M3X6-ZB3	1	10/P	
50	X0-02420000	S/TPS/FHEXM/R-3X8-ZU3	3	10/P	

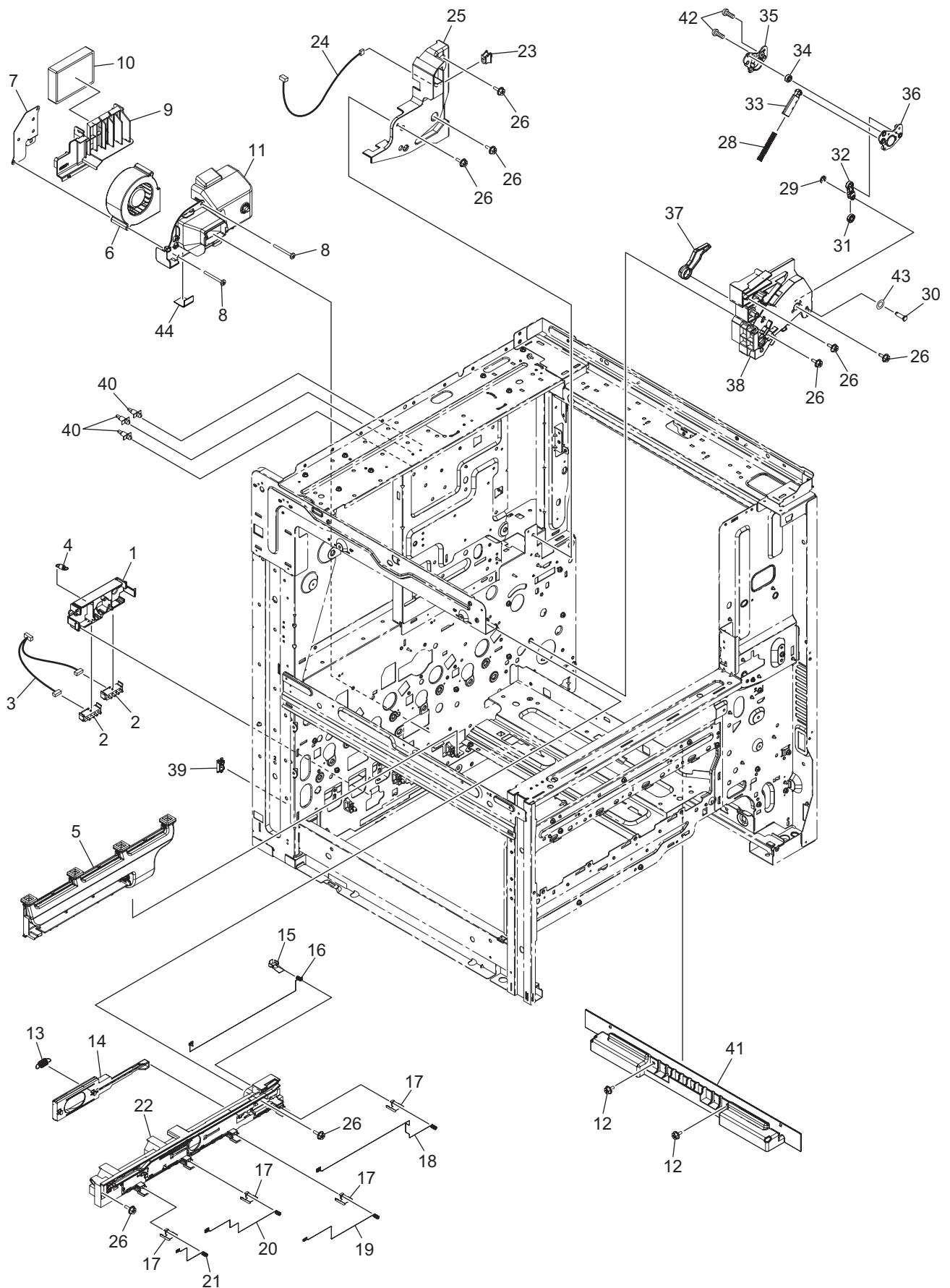




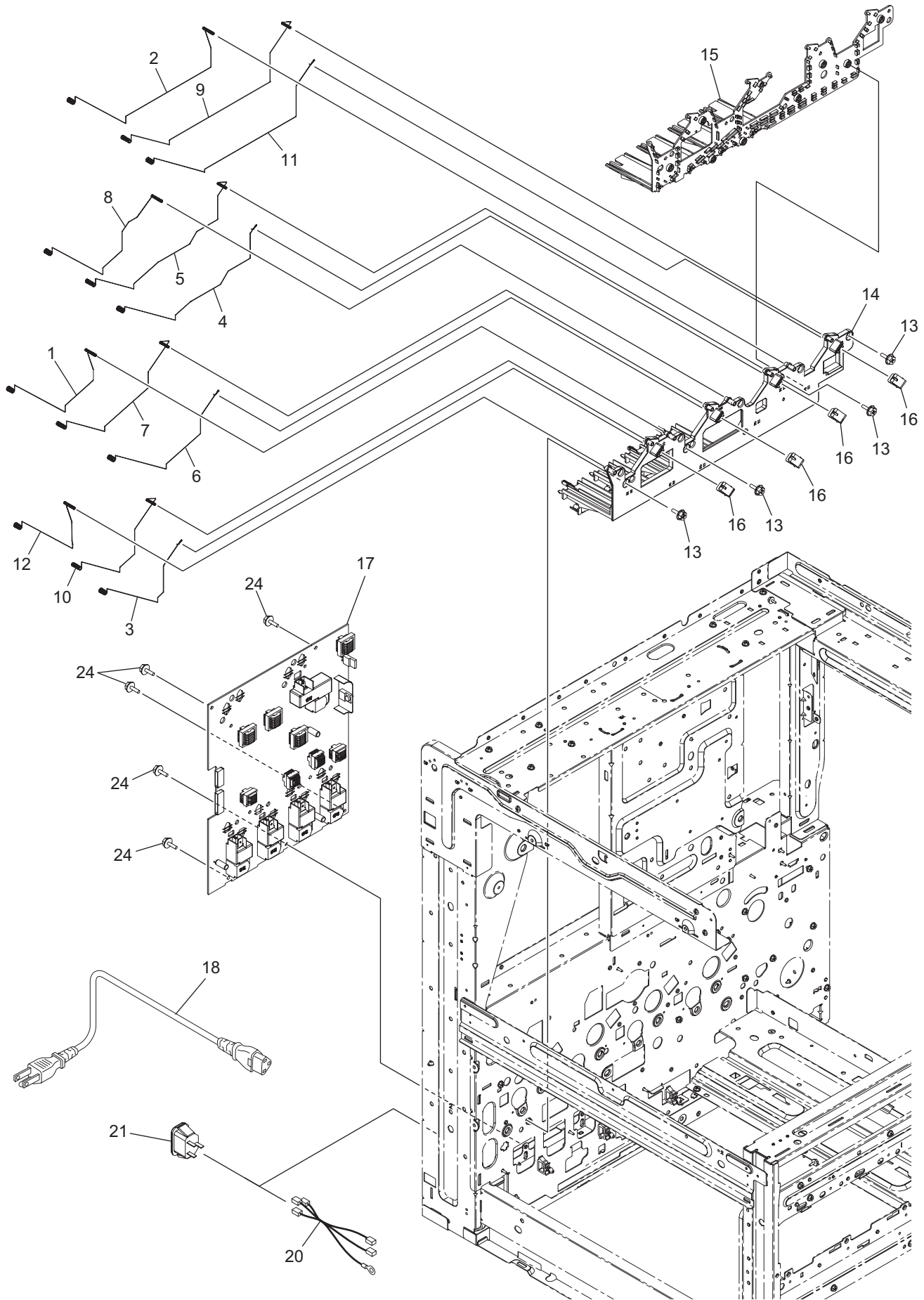
ITEM No.	PART No.	PART NAME	Q'TY / PAGE	Q'TY / PACK	REMARKS
1	F0-00047000	EDS-1717U	1	10/P	
2	F0-02296000	ES-0505-2	3	5/P	
3	F0-01811000	LWS-0711S-V0	8	5/P	
4	F0-01418000	RFC-33V0	2	1/P	
5	X0-00461000	S/BID-M4X35-NI	1	10/P	
6	6LK48235000	FAN-7530-170-H370	1	1/D	
7	6LJ53119000	ASYS-DUCT-OZN-FRT-H21X	1	1/PP	
8	6LJ53100100	DUCT-LVPS-COOL-H21X_S	1	1/PP	
9	44204394000	SCREW20*D23	2	10/P	
10	E0-15604000	DE2L-BALGY	2	1/D	
11	X0-02420000	S/TPS/FHEXM/R-3X8-ZU3	14	10/P	
13	6LJ52809000	BRKT-INTERLOCK-SW-H21X	1	1/P	
14	F0-01250000	MSB-1207	1	5/P	
16	6LJ58060000	GUIDE-RAIL-FUS-F	1	1/PP	
19	6LJ57337100	ASYB-HINGE-F_B	1	1/P	
20	6LJ58082000	SPG-C-PUSH-FUS-F	2	1/P	
21	6LK45518000	HRNS-LVPS-FUSER-H370	1	1/P	
25	6LK52012000	ASYS-STAY-FUSER-H370	1	1/P	
26	6LJ58075000	STUD-LVR-LOCK-R	1	N/A***	
27	6LJ58037000	SPG-E-LVR-LOCK	2	1/P	
28	X0-00966000	RR/E-5-SS	2	10/P	
30	6LJ58107000	ASYB-COVER-LVR-LOCK	2	1/P	
31	6LJ58074000	STUD-LVR-LOCK-F	1	1/P	
32	X0-00077000	S/PAN/SWWP-M3X8-NI	2	10/P	
33	6LJ52395100	HOLD-ADU-HOOK-F-H370	1	1/P	
34	D0-32012000	CHS-CGC5-28	1	1/P	
37	6LK45397000	HRNS-LVPS-INLCSW-H370	1	1/P	
38	6LK45996000	HRNS-LGC-FUSER-H370	1	1/P	
41	6LJ54685100	SUPPORT-GUIDE-EPU_S	1	1/P	
42	6LJ52362000	CASE-CASSETTE-RAIL-H21X	1	1/D	
43	X0-02230000	S/FHEXM-M3X6-NI	2	10/P	
44	6LK52038000	DAMP-STAY-FUS-H370	1	1/P	

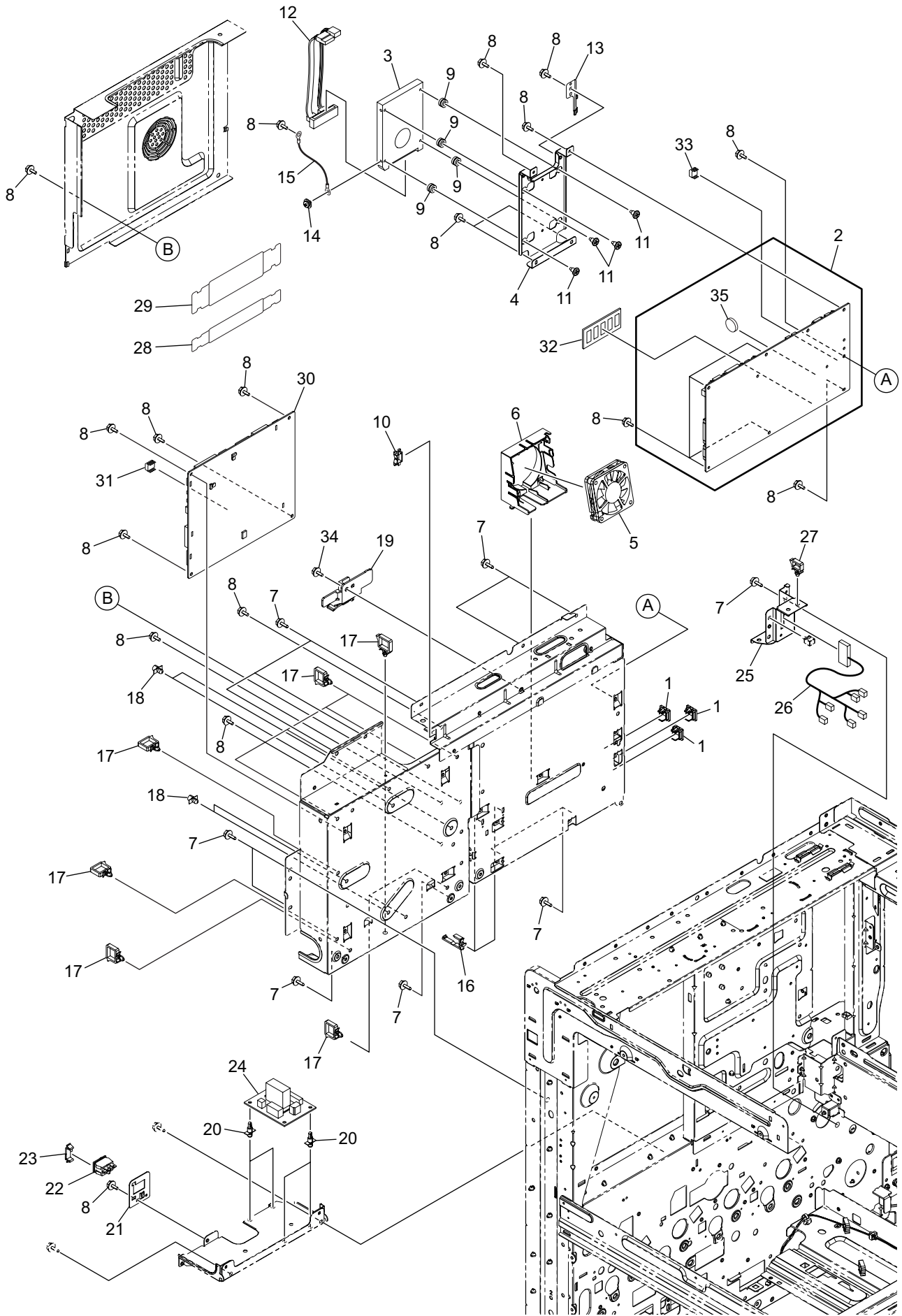


ITEM No.	PART No.	PART NAME	Q'TY / PAGE	Q'TY / PACK	REMARKS
1	6LJ60756000	ASYB-CFD-210	1	1/SB	
2	X0-02230000	S/FHEXM-M3X6-NI	3	10/P	
3	E0-14534000	CF-LA-2KZ2-1C	1	1/C	
4	X0-02420000	S/TPS/FHEXM/R-3X8-ZU3	8	10/P	
5	X0-02247000	S/TPP/FHEXM-3X8-NI	4	10/P	
6	D0-24198000	ERZV10D821	1	1/C	
7	6LK50607000	SPG-GND-RGST-H370	1	1/P	
8	6LJ55908100	SPG-F-RGST-GND_2	1	1/P	
9	6LJ55934000	SPG-C-TR2-H21X	1	1/P	
10	X0-00964000	RR/E-3-SS	1	10/P	
11	6LJ55968000	SHAFT-TRU-LOCK	1	1/P	
12	6LJ55911000	COLLAR-LINK-ADU	1	1/P	
13	6LJ55905000	ROD-HLDR-COLLAR	1	1/P	
14	6LJ55900000	HLDR-SP-TRU	1	1/P	
15	6LJ55904000	COLLAR-TRU-PUSH-WEISS	1	1/P	
16	6LJ55910000	LINK-PUSH-TRU-B	1	1/P	
17	6LJ55909000	LINK-PUSH-TRU-A	1	1/P	
18	6LJ55903000	PUSHER-TRU-WEISS	1	1/P	
19	6LK50604000	FRM-PUSH-TRU-F	1	1/PP	
21	6LJ55504200	GUIDE-RAIL-TBU-F_W	1	1/P	
24	6LJ55569000	GEAR-LINK-TBU-LVR	1	1/P	
26	6LJ55565200	LEVER-TBULIFT-H370	1	1/P	
30	6LJ55564100	SHAFT-LIFT-H21Y_S	1	1/P	
31	6LJ55570100	BRKT-LEVER-TBU_S	1	1/P	
32	6LJ55483000	SLIDER-LIFT-K	1	1/P	
33	6LJ55587000	GEAR-LINK-TBU-RAIL	1	1/P	
34	6LJ55514000	RAIL-TBU-F-H21X	1	1/PP	
37	6LJ55187100	ASYB-LVR-TBU-CPL_W	1	1/P	
38	F0-01243000	LWS-1211Z	12	5/P	
39	E0-15050000	SW1AG-550	1	1/D	
40	X0-00595000	S/TPP/PAN-3X6-NI	2	10/P	
41	6LJ55441000	SPG-F-PUSH-TBU-CL	1	1/P	
42	6LJ55953000	WSHR-4R1X7XR25-APS	1	1/P	

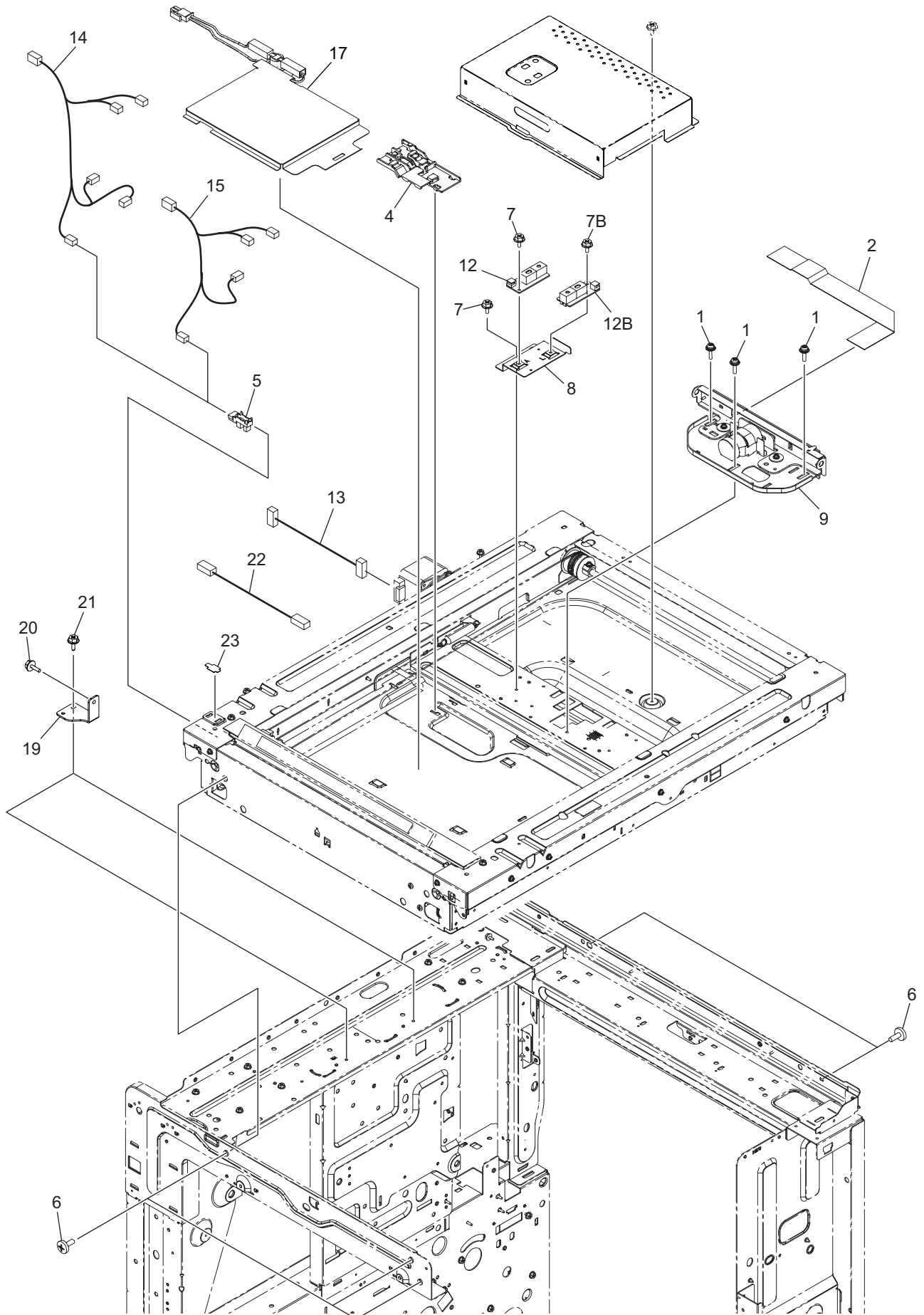


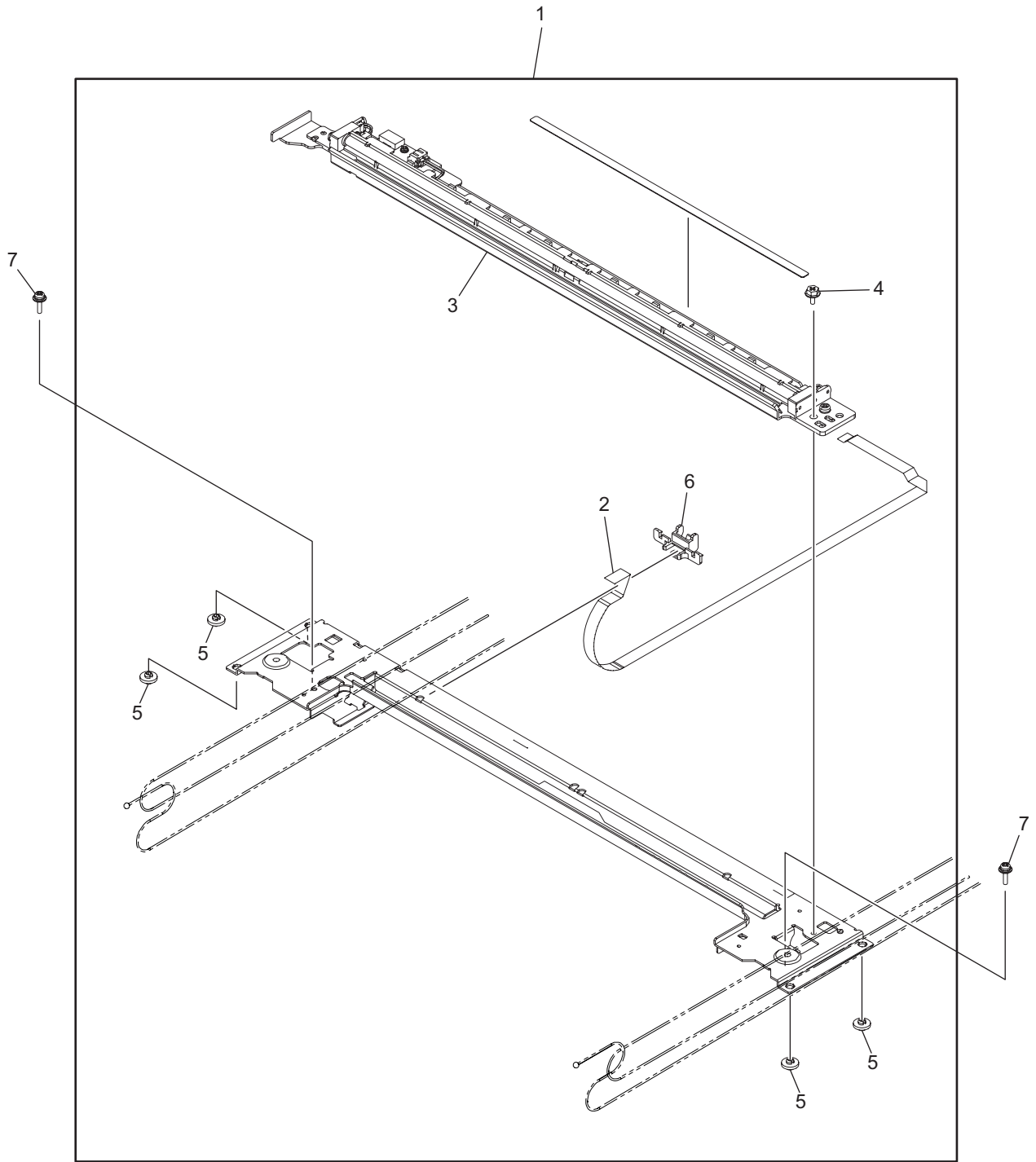
ITEM No.	PART No.	PART NAME	Q'TY / PAGE	Q'TY / PACK	REMARKS
1	6LJ56818000	HOLDER-SNSR-CST-H21X	1	1/P	
2	E0-14485000	PS-42C02-F NS	2	1/C	
3	6LK45773000	HRNS-CFD-PCST-H370	1	1/P	
4	6LJ56887000	SPG-E-8R8XR9X19R9	1	1/P	
5	6LJ53118000	ASYS-DUCT-OZN-REAR-H21X	1	1/PP	
6	6LK48235000	FAN-7530-170-H370	1	1/D	
7	6LJ53103000	PLATE-FAN-COV-H21X	1	1/P	
8	X0-00461000	S/BID-M4X35-NI	2	10/P	
9	6LJ53102100	DUCT-OZN-FAN-CP-H21X_S	1	1/PP	
10	6LJ53151000	FILTER-OZN-SCA-713A	1	1/C	
11	6LJ53215100	DUCT-OZN-FAN-H21X_S	1	1/PP	
12	X0-02593000	S/TPD3/FHEXM-3X8-ZU3	2	10/P	
13	6LJ55471000	SPG-E-COUPLE-TR1	1	1/P	
14	6LJ55422000	LINK-COUPLE-TR1	1	1/P	
15	6LJ55440000	SPG-F-BIAS-HV-TR2	1	1/P	
16	6LJ55461000	SPG-RAIL-HVT-TR2-H21X	1	1/P	
17	6LJ55439000	SPG-F-BIAS-HV-H21X	4	1/P	
18	6LJ55460000	SPG-RAIL-HVT-K-H21X	1	1/P	
19	6LJ55459000	SPG-RAIL-HVT-C-H21X	1	1/P	
20	6LJ55458000	SPG-RAIL-HVT-M-H21X	1	1/P	
21	6LJ55457000	SPG-RAIL-HVT-Y-H21X	1	1/P	
22	6LJ55435000	RAIL-TBU-R-H21X	1	1/PP	
23	E0-01853000	CS1A-B2CA	1	1/D	
24	6LK45450000	HRNS-SIDESW-H370	1	1/P	
25	6LK52011000	GUIDE-RAIL-FUS-R-H370	1	1/PP	
26	X0-02420000	S/TPS/FHEXM/R-3X8-ZU3	8	10/P	
28	6LJ55934000	SPG-C-TR2-H21X	1	1/P	
29	X0-00964000	RR/E-3-SS	1	10/P	
30	6LJ55968000	SHAFT-TRU-LOCK	1	1/P	
31	6LJ55911000	COLLAR-LINK-ADU	1	1/P	
32	6LJ55905000	ROD-HLDR-COLLAR	1	1/P	
33	6LJ55900000	HLDR-SP-TRU	1	1/P	
34	6LJ55904000	COLLAR-TRU-PUSH-WEISS	1	1/P	
35	6LJ55910000	LINK-PUSH-TRU-B	1	1/P	
36	6LJ55909000	LINK-PUSH-TRU-A	1	1/P	
37	6LJ55903000	PUSHER-TRU-WEISS	1	1/P	
38	6LJ55967000	FRM-PUSH-TRU-R	1	1/PP	
39	F0-01248000	ESC-0912	1	10/P	
40	F0-00342000	SPLSN-6U	3	5/P	
41	6LJ53736100	COVER-RIGHT-B_H370	1	1/PP	
42	X0-00595000	S/TPP/PAN-3X6-NI	2	10/P	
43	6LJ55953000	WSHR-4R1X7XR25-APS	1	1/P	
44	6LK48246000	SEAL-DUCT-OZN-FAN-H370	1	1/P	

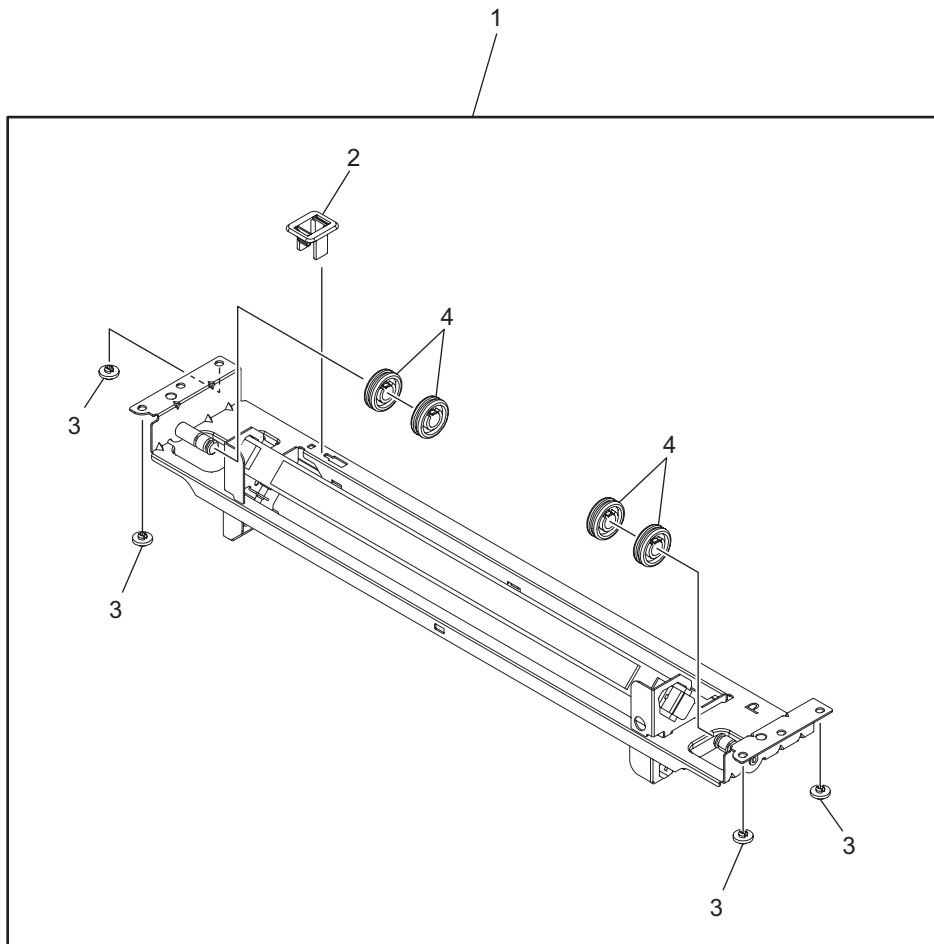


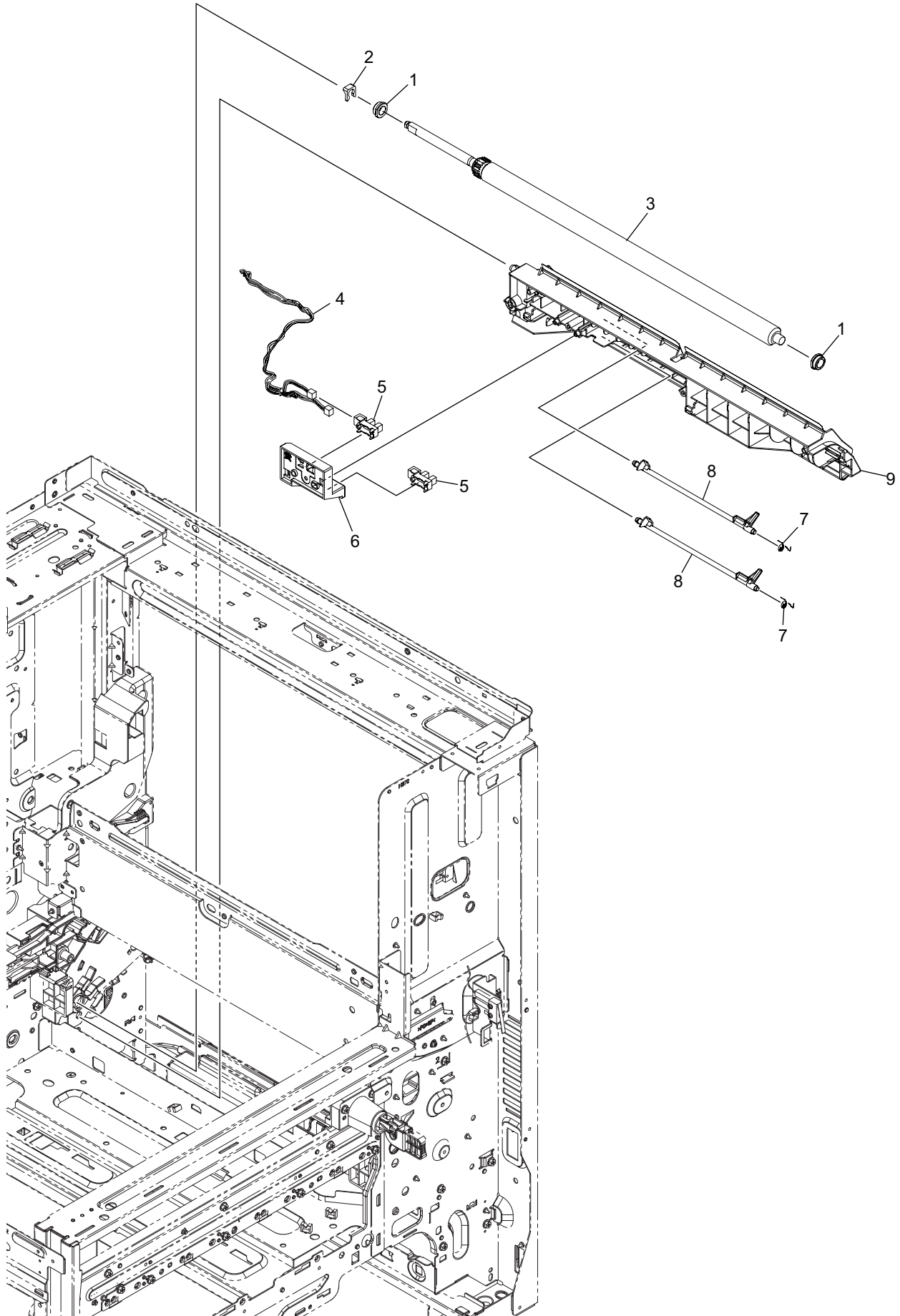


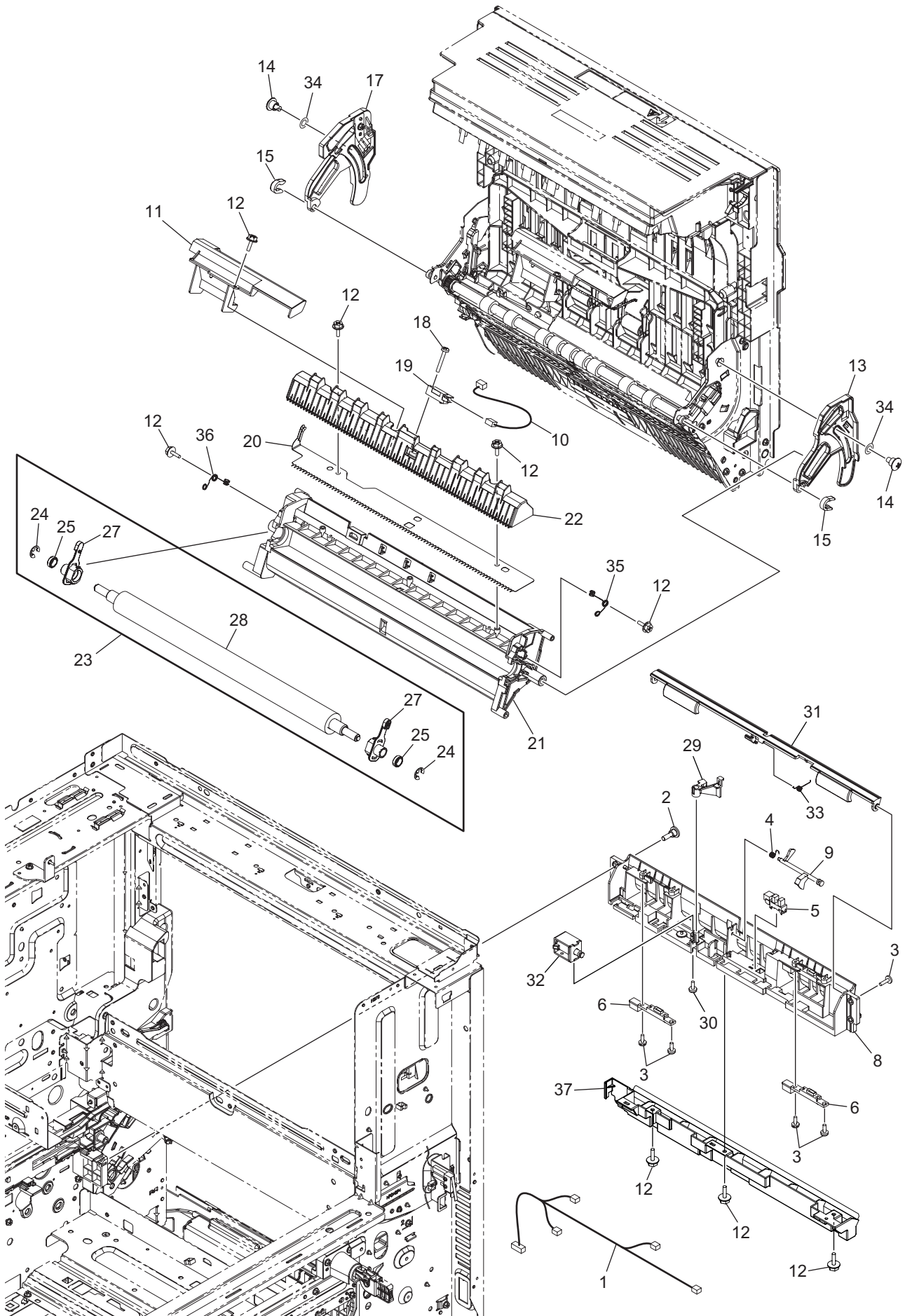
ITEM No.	PART No.	PART NAME	Q'TY / PAGE	Q'TY / PACK	REMARKS
1	6LK48745000	COVER-MODULAR-B	3	1/P	
2 A	6LK45973000	ASYB-PWA-SYS-H370S	1	1/SB	
2 B	6LK45974000	ASYB-PWA-SYS-H373S	1	1/SB	
3 A	G0-00728000	MQ01ABF032	1	1/C	CND
3 B	G0-00732000	MQ01ABU032W	1	1/C	MJD,ASD,AUD,ARD
3 C	G0-00733000	MQ01ABU032BW	1	1/C	NAD
4	6LK44716000	BRKT-HDD-H370	1	1/P	
5	6LJ53202000	FAN_D-SYS-6015-H21X	1	1/D	
6	6LJ53224000	DUCT-SYS-FAN-H21X	1	1/P	
7	X0-02420000	S/TPS/FHEXM/R-3X8-ZU3	12	10/P	
8	X0-02230000	S/FHEXM-M3X6-NI	21	10/P	
9	F0-01939000	VB-1006-95T	4	1/P	
10	F0-01248000	ESC-0912	1	10/P	
11	6LH53114000	SCREW-HDD-CASE_M3	4	5/P	
12	6LK45529000	HRNS-HDD-H370	1	1/P	
13	6LK44717000	SPG-F-SYS-H370	1	1/P	
14	X0-02386000	S/PAN/SWWP-M3X4-NI	1	10/P	
15	6LK45548000	HRNS-HDFG-H370	1	1/P	
16	F0-00036000	RLWS3TV0	2	5/P	
17	F0-01813000	LWS-1316S-V0	10	5/P	
18	F0-00331000	SPSN-4U	4	5/P	
19	6LK53290000	HLDR-HRNS-SYS-H370	1	1/P	
20	F0-00340000	SPLSN-4U	4	5/P	
21	6LK44769000	BRKT-DUMPH-SW-H370	1	1/P	
22	E0-11767000	AJ76101BF	1	1/P	
23	F0-01451000	RFC-16V0	1	1/P	
24	6LK73067000	ASYB-PWA-DAMP	1	1/SB	
25	6LK44768000	BRKT-PFU-CNCT-H370	1	1/P	
26	6LK45396000	HRNS-LGC-ADUPFC-H370	1	1/P	
27	F0-01811000	LWS-0711S-V0	1	5/P	
28	6LK45583000	HRNS-LGC-SYS1-H370	1	1/P	
29	6LK45584000	HRNS-LGC-SYS2-H370	1	1/P	
30 A	6LK45988000	ASYB-LGC-H370S	1	1/SB	eS2000AC
30 B	6LK45988100	ASYB-LGC-H371S	1	1/SB	eS2500AC
31	C0-18078000	BR24T128-W	1	1/C	
32	C0-20835000	M471B5173EB0-YK0	1	1/C	
33	C0-20581000	MR45V200ARAZAARL	1	1/C	
34	X0-02420000	S/TPS/FHEXM/R-3X8-ZU3	1	10/P	
35	6LE90510G00	LI-BAT-CR-2032	1	1/S	

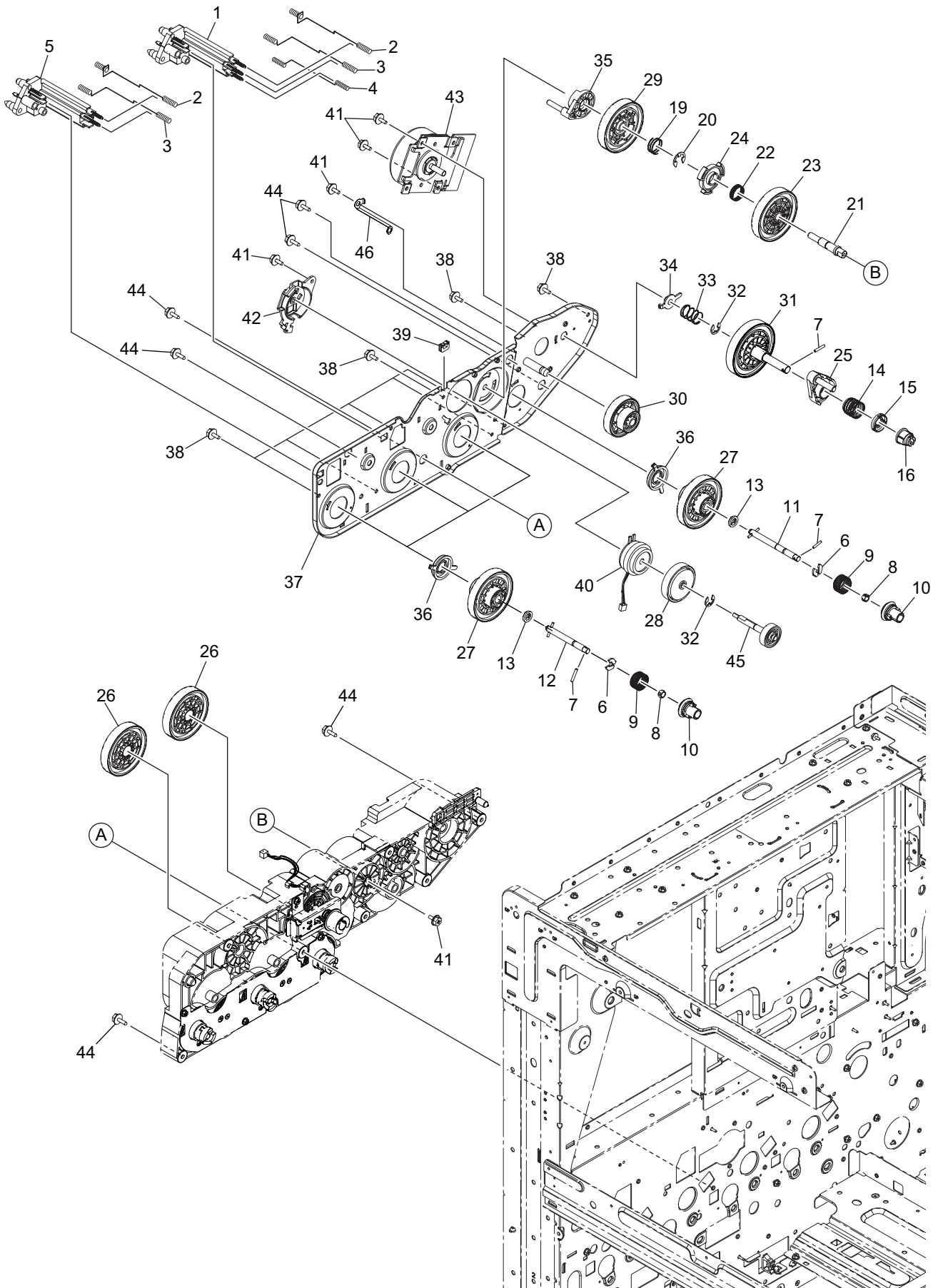




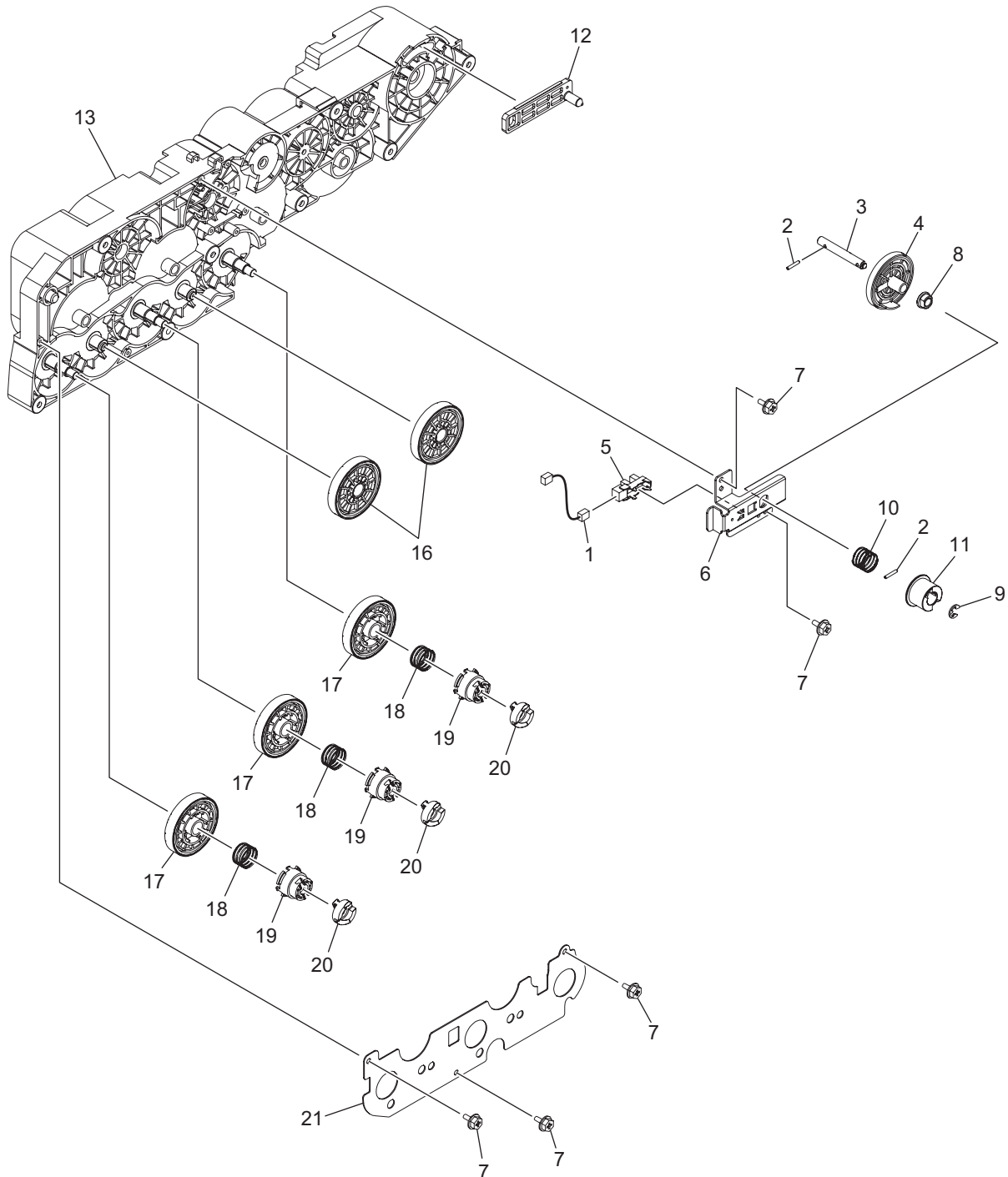


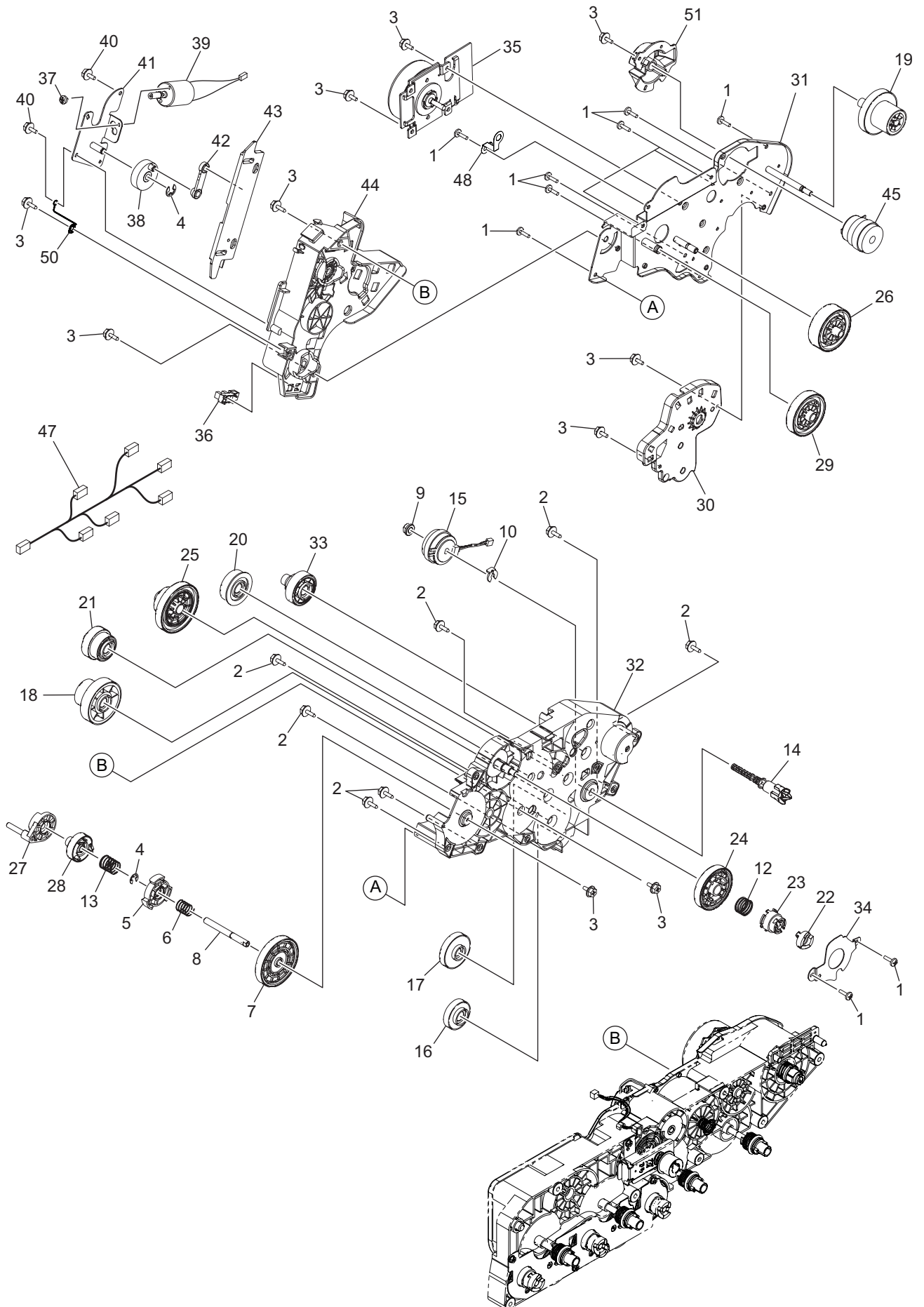




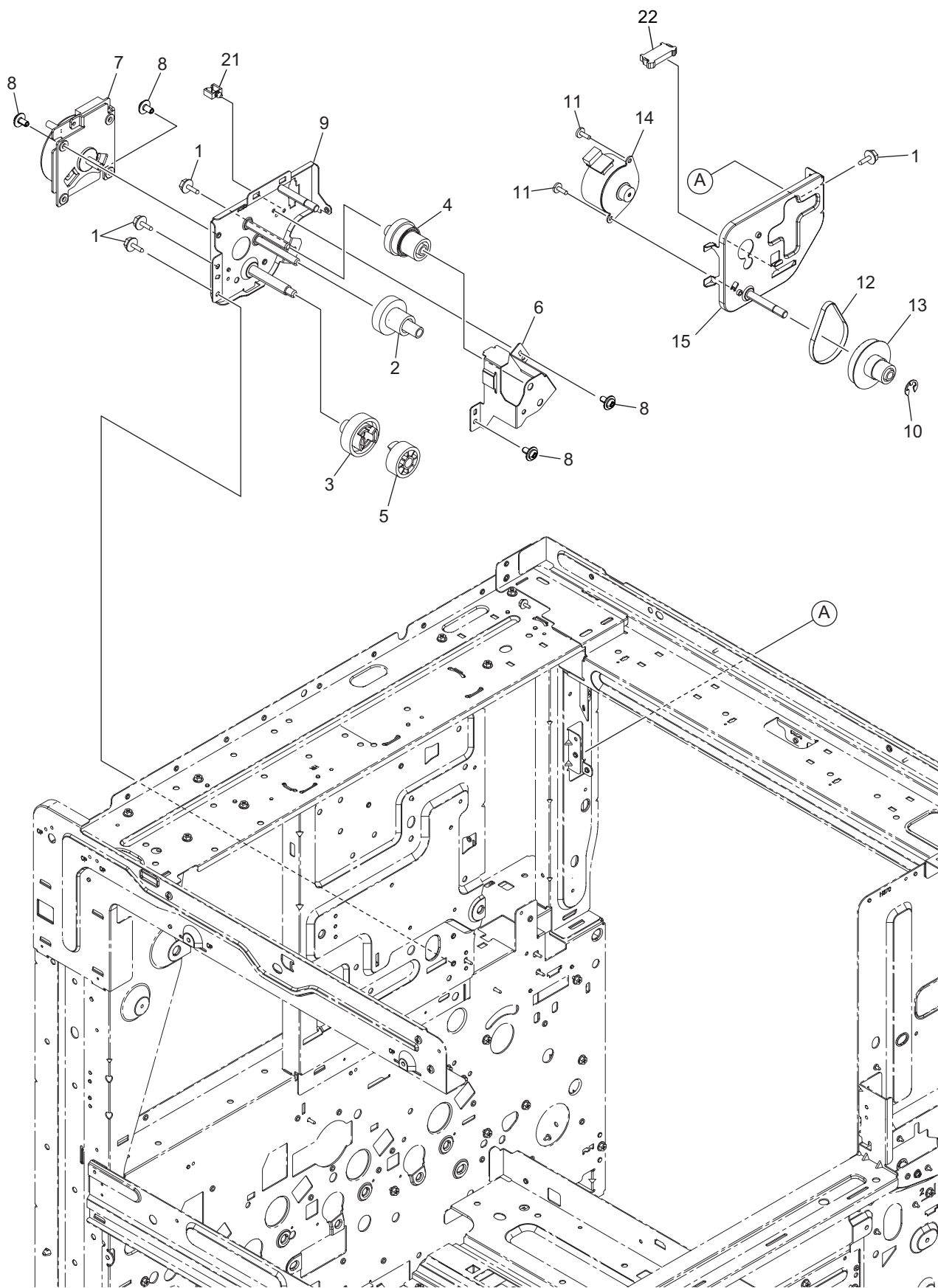


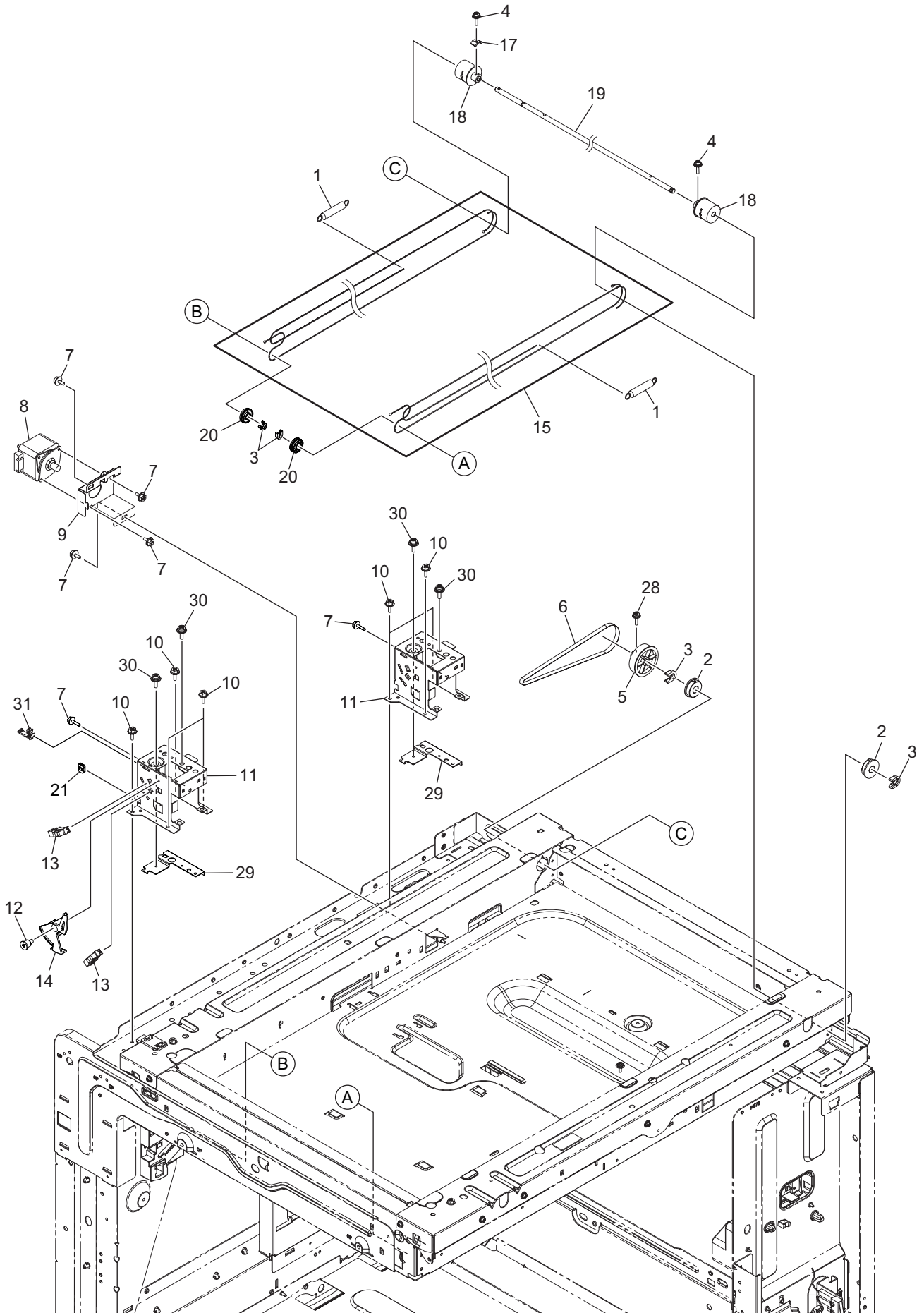
ITEM No.	PART No.	PART NAME	Q'TY / PAGE	Q'TY / PACK	REMARKS
1	6LK50405000	RAIL-WIRE-HV-TBU	1	1/P	
2	6LJ55462000	SPG-HVT-MK-H21X	2	1/P	
3	6LJ55463000	SPG-HVT-YC-H21X	2	1/P	
4	6LJ55464000	SPG-HVT-TR2-H21X	1	1/P	
5	6LK50404000	RAIL-WIRE-HV-TBU-YM	1	1/C	
6	44201801000	STOP-RING-6-1.5	4	5/P	
7	X0-01526000	P/PRL/AH7-2X12-SS	5	10/P	
8	6LJ55133000	CAP-SHAFT-DRUM	4	1/P	
9	6LJ55198000	SPG-C-DRIVE-DRUM	4	1/P	
10	6LJ55152000	COUPLE-DRUM-DRIVE	4	1/P	
11	6LJ55241000	ASYS-SHAFT-DRV-DRUM-K	1	1/P	
12	6LJ55242000	ASYS-SHAFT-DRV-DRUM-YMC	3	1/P	
13	6LJ55175000	CAP-SHAFT-DRUM-R	4	1/P	
14	6LJ55253000	SPG-C-DRIVE-TBU	1	1/P	
15	6LJ55141000	RING-DRIVE-TBU	1	1/P	
16	6LJ55244000	COUPLE-DRIVE-TBU	1	1/P	
19	6LJ55165000	SPG-C-DRUM-R	1	1/P	
20	X0-00968000	RR/E-7-SS	1	10/P	
21	6LJ55169000	SHAFT-RELAY-DRV-DRUM	1	1/P	
22	6LJ55166000	SPG-C-DRUM-F	1	1/P	
23	6LJ55102100	GEAR-04H132-C_W	1	1/P	
24	6LJ55127000	COUPLE-IDLE-DRUM-DRIVE	1	1/P	
25	6LJ55138100	CAM-DRV-TBU_W	1	1/P	
26	6LJ55120100	GEAR-04H132-IDLE_W	2	1/P	
27	6LJ55110100	GEAR-04H132-DRUM_W	4	1/P	
28	6LJ55104100	GEAR-04H95-10S28W	1	1/P	
29	6LJ55103000	GEAR-04H132-K	1	1/P	
30	6LJ55107100	GEAR-5H80-4H56_W	1	1/P	
31	6LJ55181100	ASYB-GEAR-DRV-TBU-H370	1	1/P	
32	X0-00966000	RR/E-5-SS	2	10/P	
33	6LJ55162000	SPG-C-DRV-TBU-R	1	1/P	
34	6LJ55159100	BUSH-DRUM-DRIVE-TBU_W	1	1/P	
35	6LJ55121000	CRANK-PUSH	1	1/P	
36	6LJ55125100	BUSH-DRUM-DRV_W	4	1/P	
37	6LK50222000	ASYS-BRKT-DRV-DRUM-H21X	1	1/PP	
38	X0-02246000	S/TPP/FHEXM-3X6-NI	8	10/P	
39	F0-02296000	ES-0505-2	1	5/P	
40	6LH53742000	CLUTCH-50R-G28-6	1	1/D	
41	X0-02230000	S/FHEXM-M3X6-NI	5	10/P	
42	6LK50202000	COVER-CLUCH-G28-H370	1	1/P	
43	6LK52212000	MOTR_D-DRIVE-05R20-22	1	1/C	
44	X0-02420000	S/TPS/FHEXM/R-3X8-ZU3	6	10/P	
45	6LK50213000	ASYB-SHAFT-DRV-TR1-H370	1	1/P	
46	6LJ55192000	SPG-F-GND-DRIVE-DRUM	1	1/P	

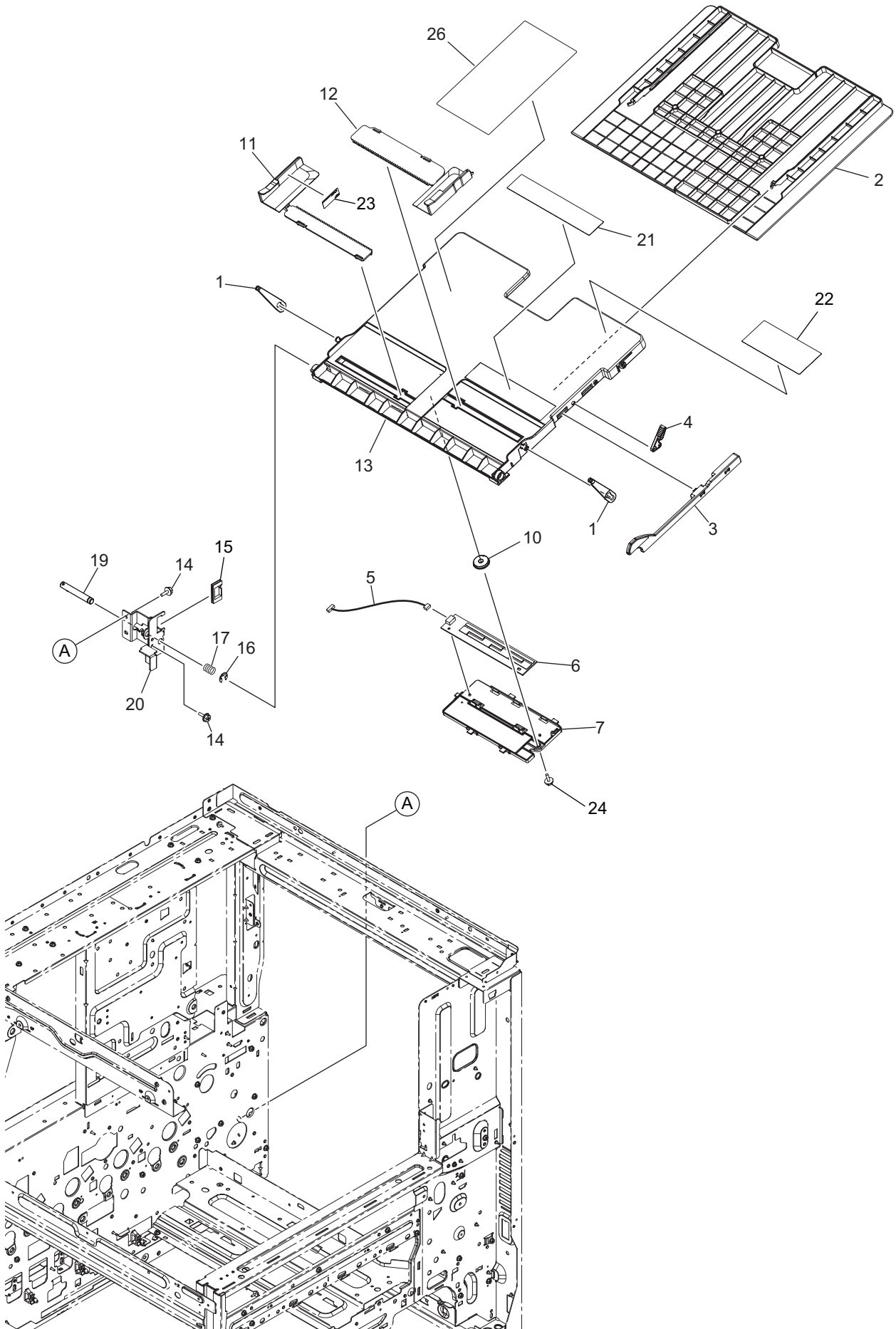


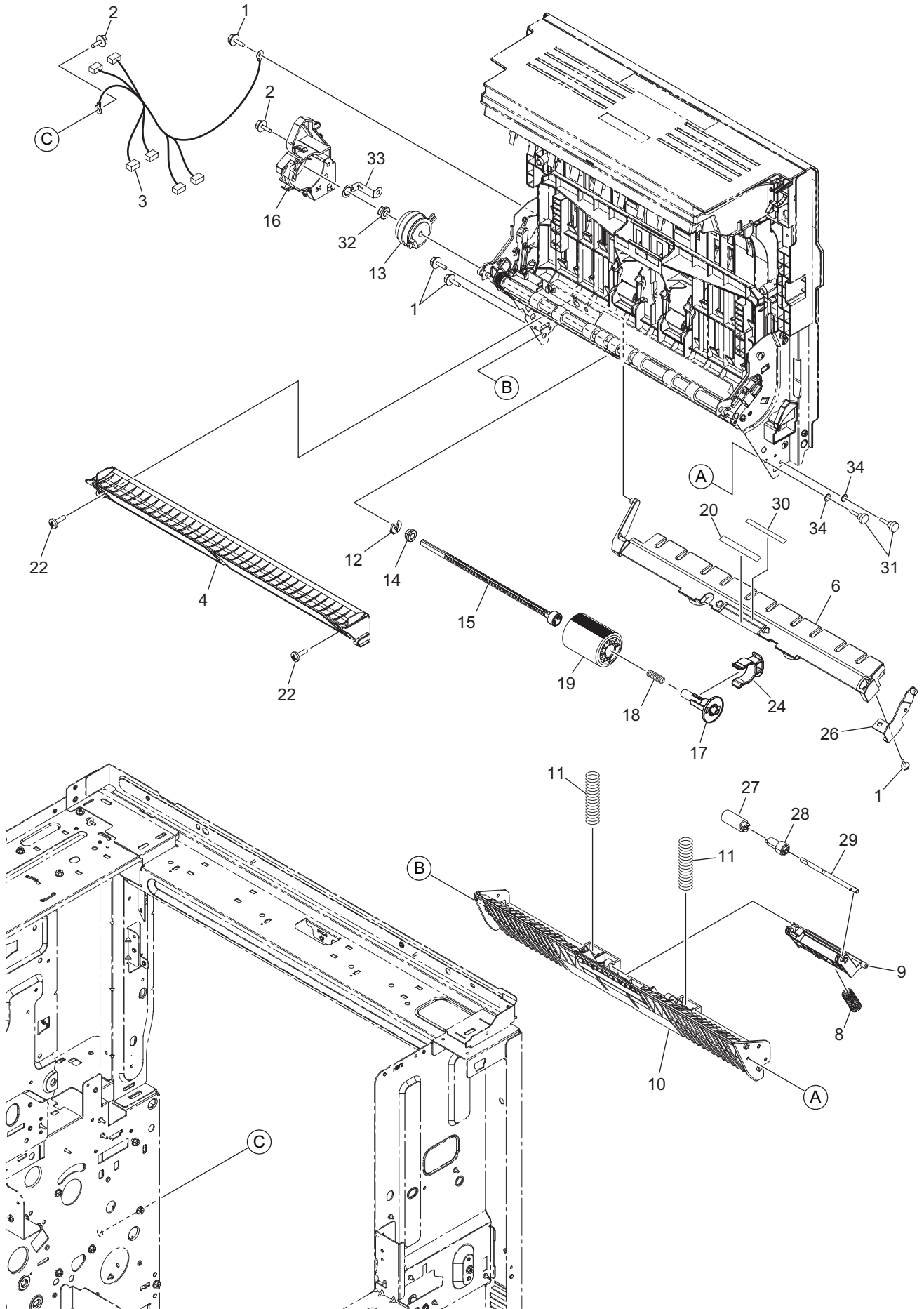


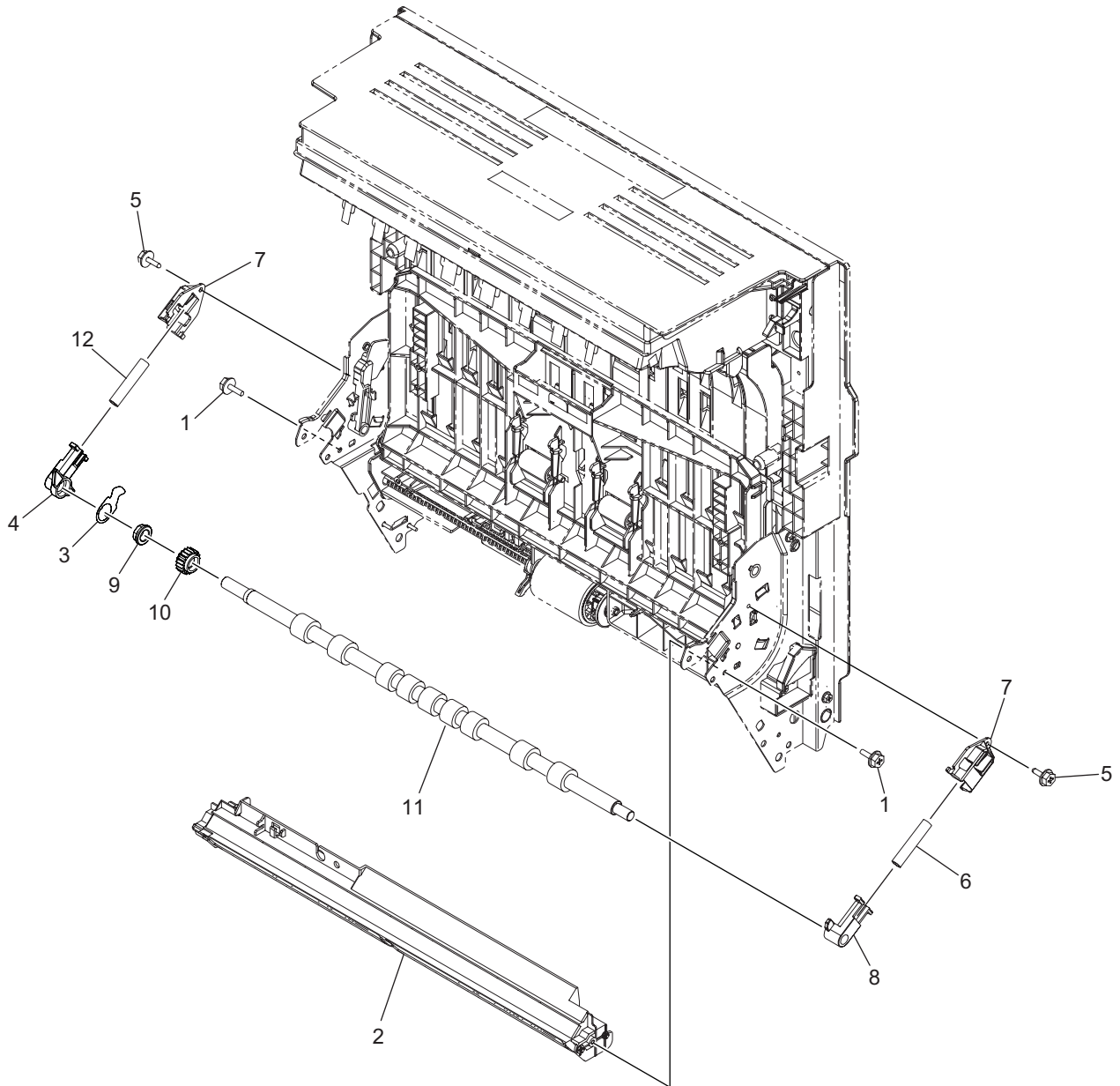
ITEM No.	PART No.	PART NAME	Q'TY / PAGE	Q'TY / PACK	REMARKS
1	6LA80090000	S/TPP/BID-3*8-NI	11	5/P	
2	X0-02420000	S/TPS/FHEXM/R-3X8-ZU3	7	10/P	
3	X0-02230000	S/FHEXM-M3X6-NI	10	10/P	
4	X0-00966000	RR/E-5-SS	2	10/P	
5	6LJ55225100	COUPLE-IDLE-DEV-DRV-H373	1	1/P	
6	6LJ55153000	SPG-DRV-CAM-DEV-F	1	1/P	
7	6LK50200000	GEAR-5H98-COUPLE-H370	1	1/P	
8	6LJ55246000	STUD-DRV-CAM-CRANK	1	1/P	
9	44201492000	BUSH-6-POM	1	5/P	
10	44201801000	STOP-RING-6-1.5	1	5/P	
12	6LJ55167000	SPG-C-DEV-DRV-C	1	1/P	
13	6LJ55172000	SPG-DRV-CAM-DEV-R	1	1/P	
14	6LJ56336000	COUPL-CST-H21X_L	1	1/P	
15	6LH53742000	CLUTCH-50R-G28-6	1	1/D	
16	6LJ56221000	GEAR-10S29-10	1	1/P	
17	6LJ56219100	GEAR-10S35-8_W	1	1/P	
18	6LJ56218000	GEAR-10S26_10H42-10_8	1	1/P	
19	6LJ56220000	GEAR-10S26_10H42-6	1	1/P	
20	6LJ56216000	GEAR-10H29-10	1	1/P	
21	6LJ56215000	GEAR-5H60_10H24-10_8	1	1/P	
22	6LJ55226000	COUPLE-DEV-DRIVE-F-H21Y	1	1/P	
23	6LJ55126100	COUPLE-DEV-DRIVE-R_W	1	1/P	
24	6LJ55108100	GEAR-5H85-CPL-DEV_W	1	1/P	
25	6LJ55111000	GEAR-5H98-5H52	1	1/P	
26	6LJ55106000	GEAR-5H85-KDEV-FEED	1	1/P	
27	6LJ55121000	CRANK-PUSH	1	1/P	
28	6LK50201000	GEAR-5H52-CAM-H370	1	1/P	
29	6LJ55105000	GEAR-5H85-DEV	1	1/P	
30	6LJ56367000	HOLDER-DRV-FED-CL-H21X_L	1	1/P	
31	6LJ55143000	ASYS-FRAME-DRV-KDEV	1	1/P	
32	6LJ55252100	CASE-DRV-KDEV2	1	1/PP	
33	6LJ56217100	GEAR-10S21_10H30-10_8_W	1	1/P	
34	6LJ55148000	BRKT-DRV-DEV-COUPLE	1	1/P	
35	6LJ55249000	MOTR_D-DRIVE-DEV	1	1/SB	
36	C0-17839000	LG2A14BL1	1	1/C	
37	X0-02112000	S/PAN-M3X3-NI	1	10/P	
38	6LJ55114000	GEAR-CRANK	1	1/P	
39	6LJ55174000	MOTR_D-SWITCH-H21X	1	1/D	
40	X0-02247000	S/TPP/FHEXM-3X8-NI	2	10/P	
41	6LJ55116000	ASYS-BRKT-CLANK	1	1/P	
42	6LJ55122000	RELAY-CRANK	1	1/P	
43	6LJ55123000	PLATE-CRANK	1	1/P	
44	6LJ55115200	BASE-CRNK_2	1	1/PP	
45	6LH51414000	CLUTCH-50C-G28-8	1	1/D	
47	6LK45787000	HRNS-LGC-DEV-H370	1	1/P	
48	6LJ55193000	SPG-F-GND-DRIVE-DEV	1	1/P	
50	6LJ55248000	COIL-GND-RELAY-DRV	1	1/P	
51	6LK50721000	COVER-RGST-CLT-H21X_EL	1	1/P	

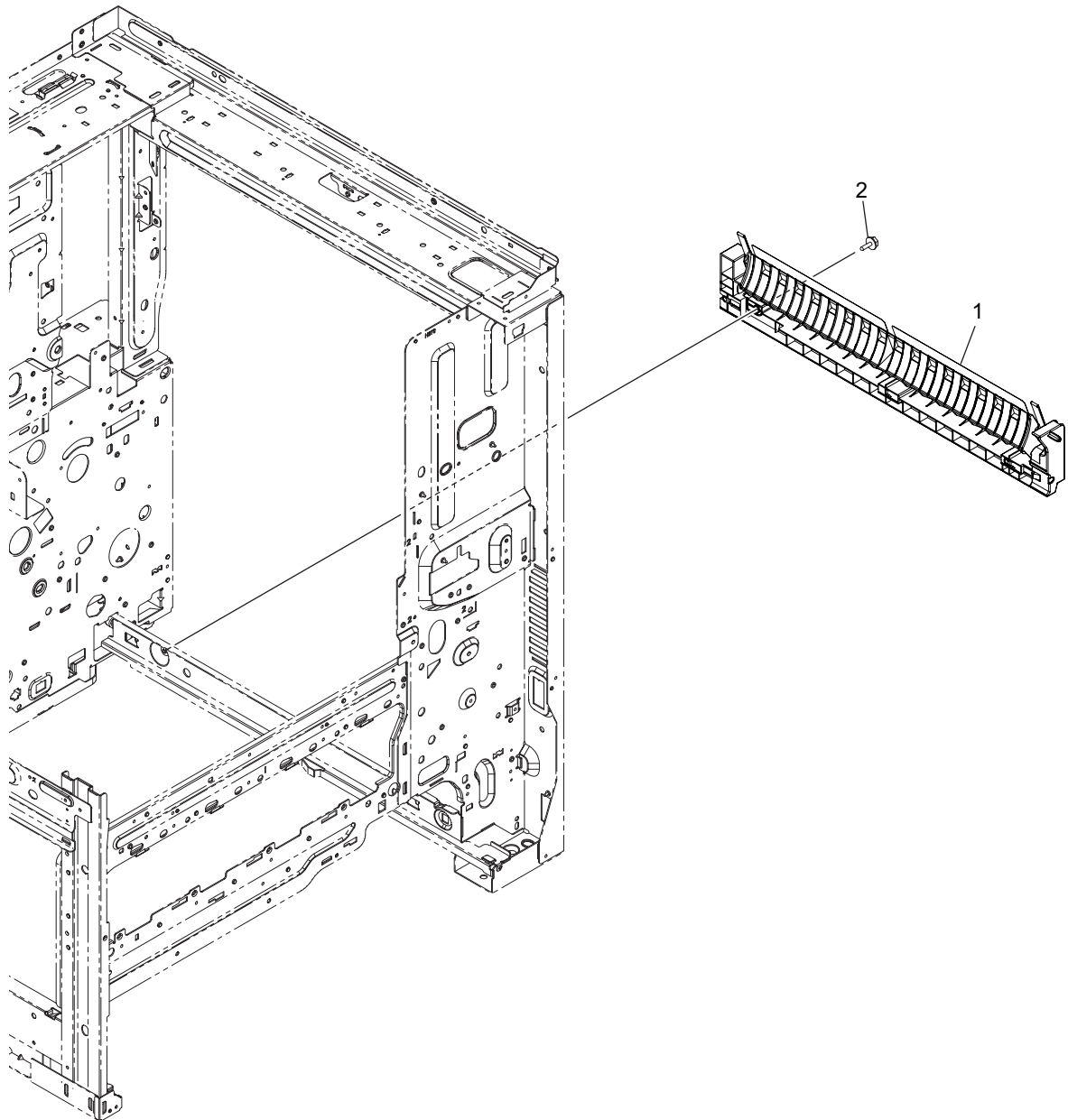


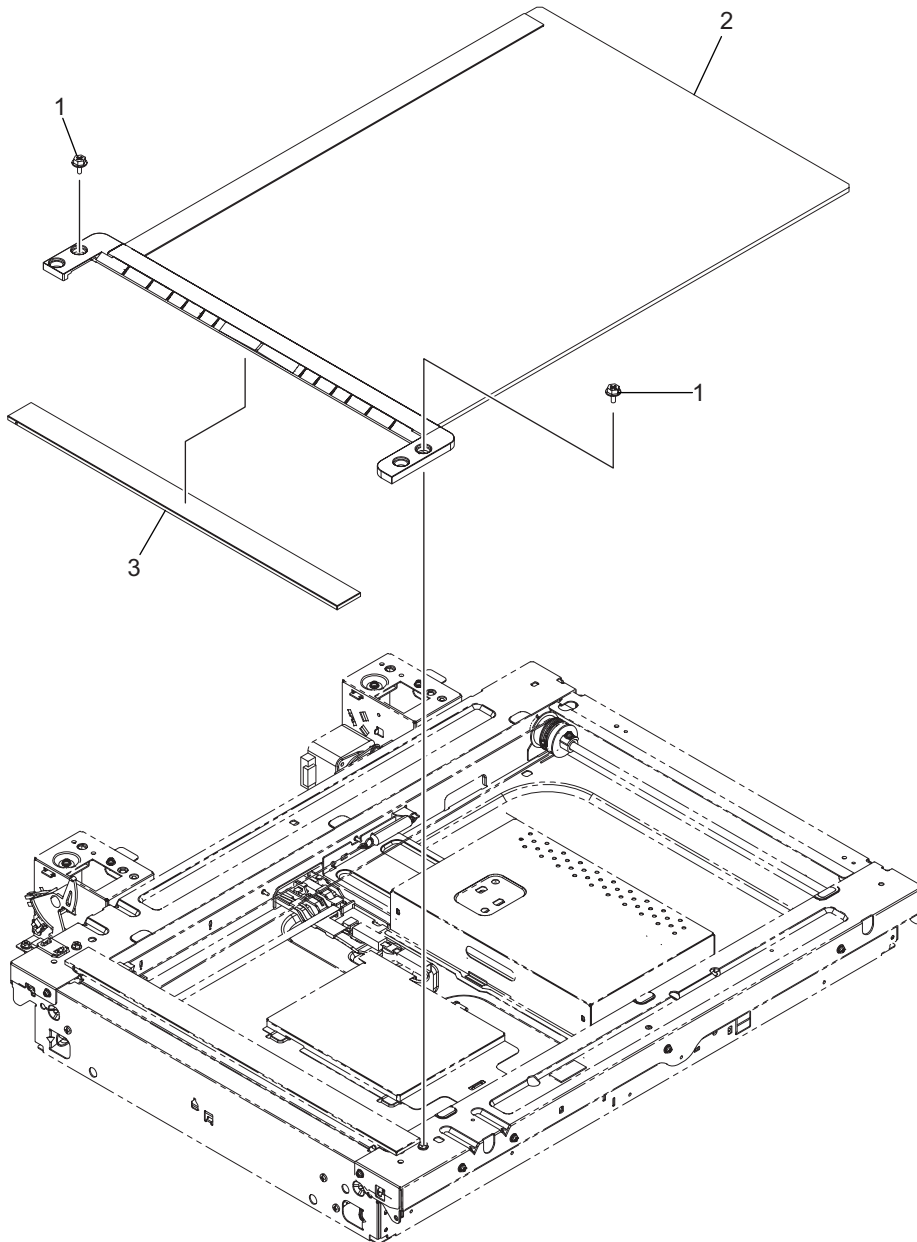


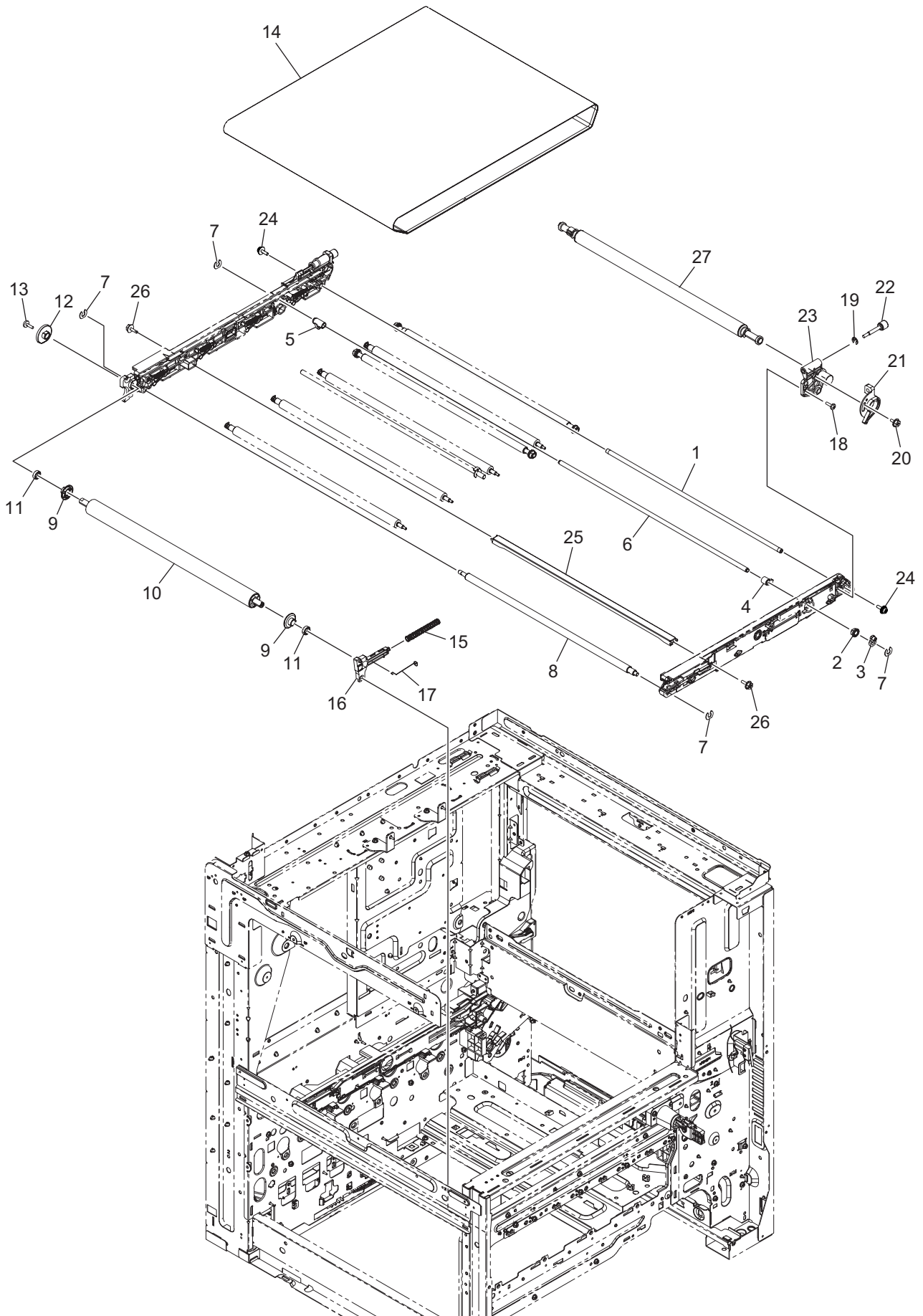


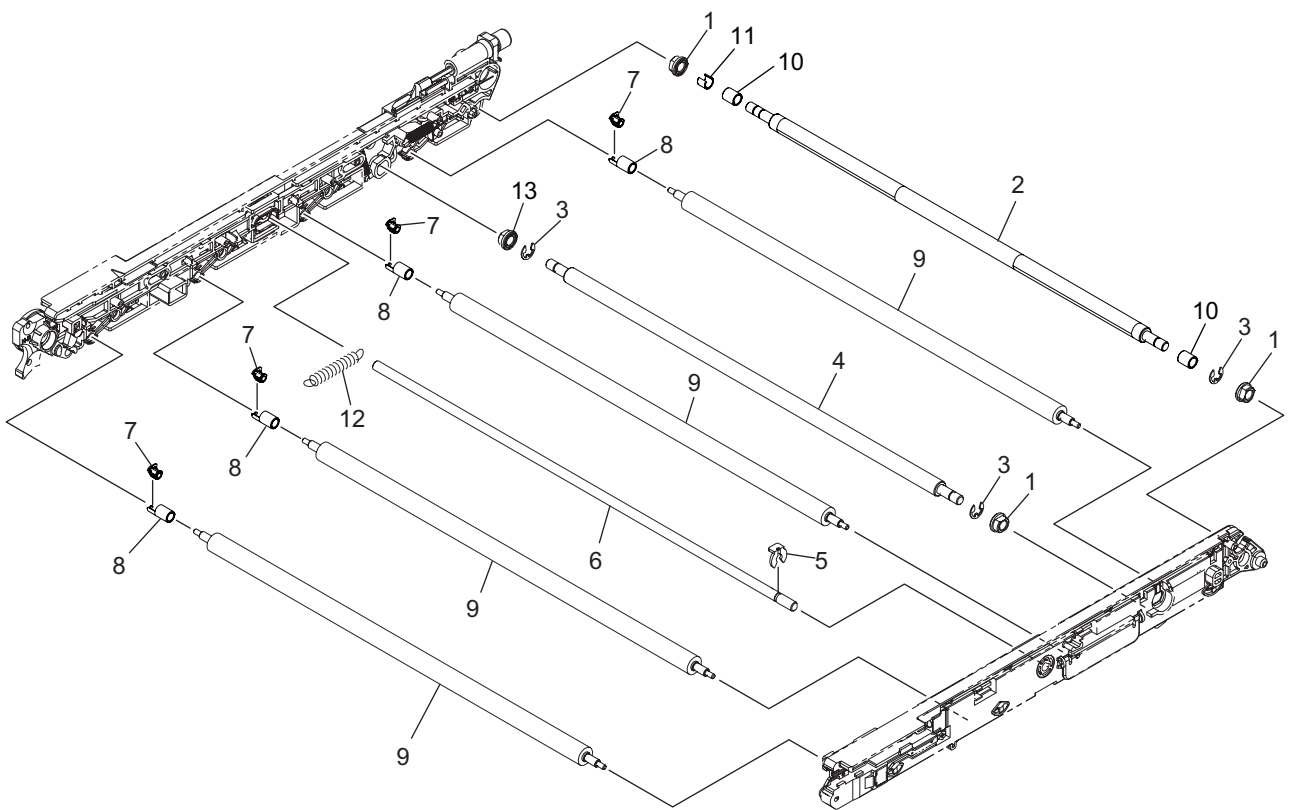


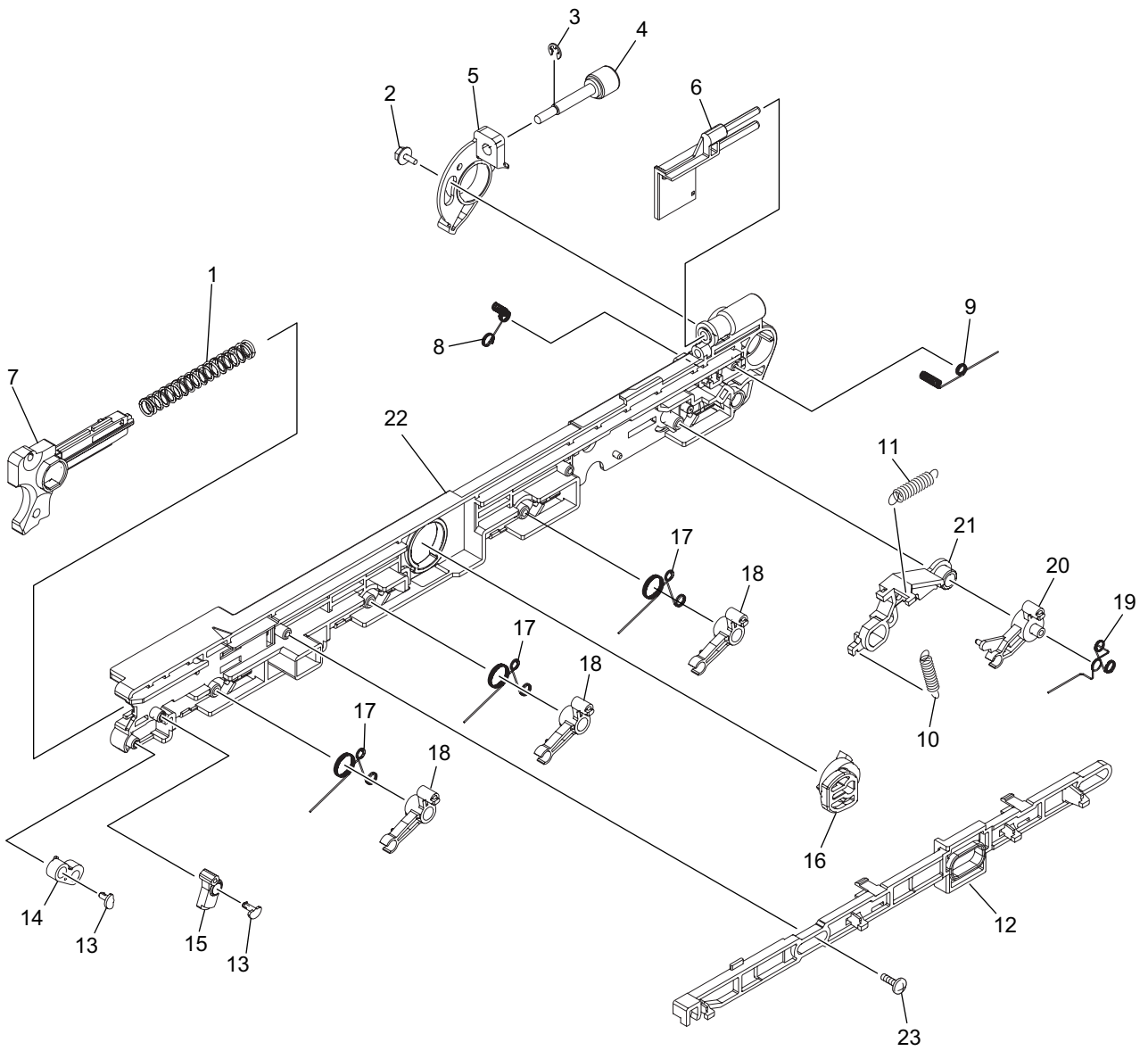


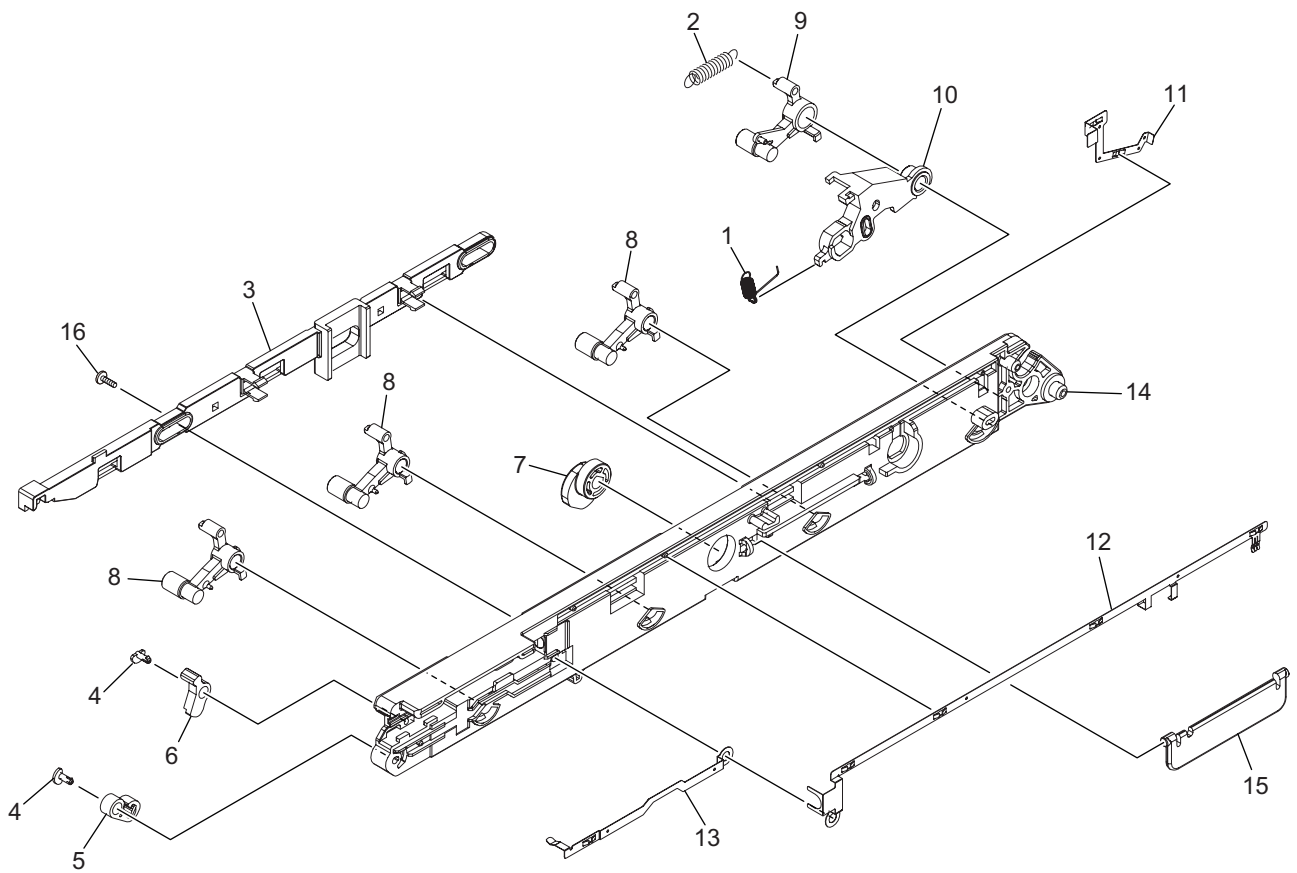


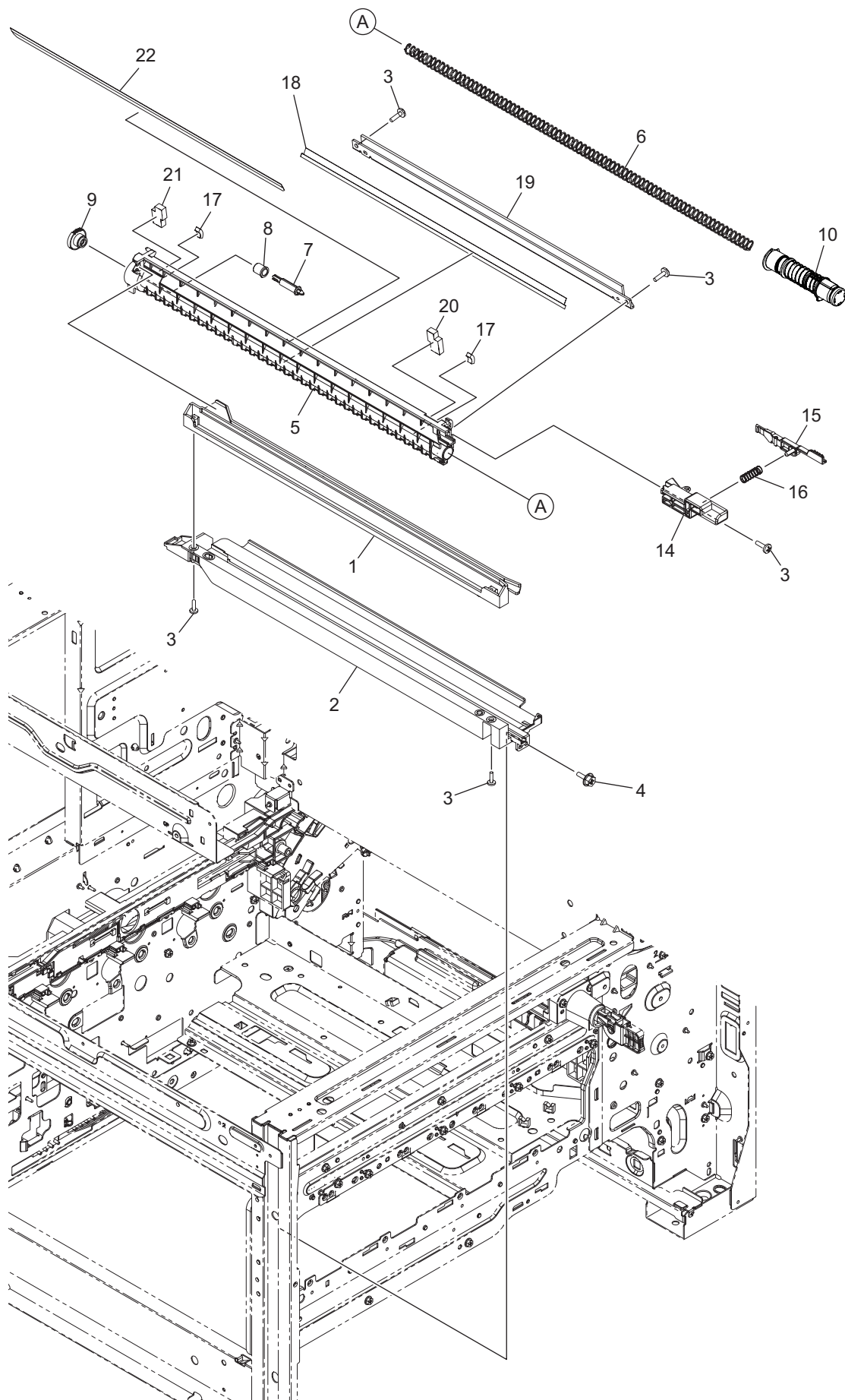


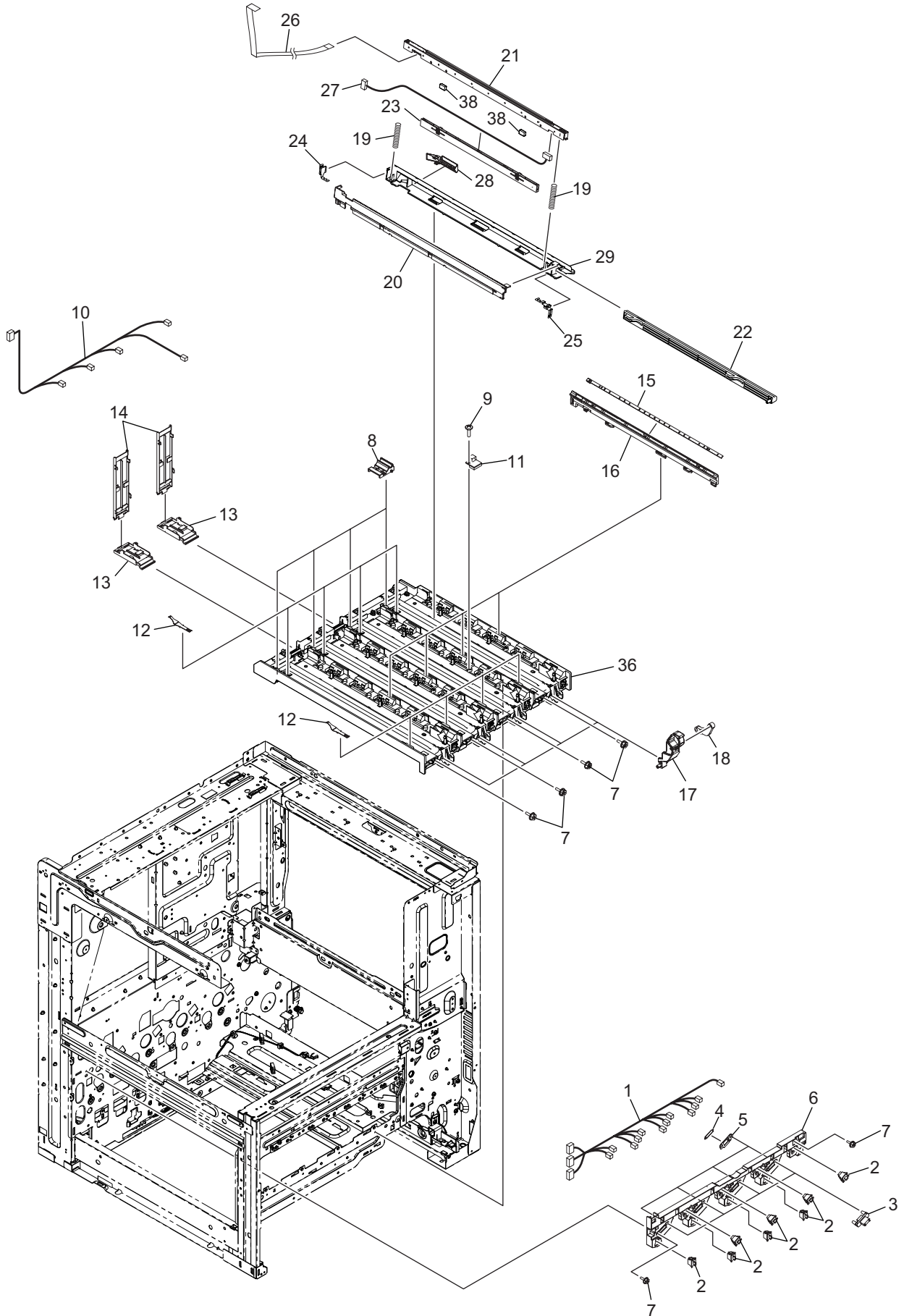




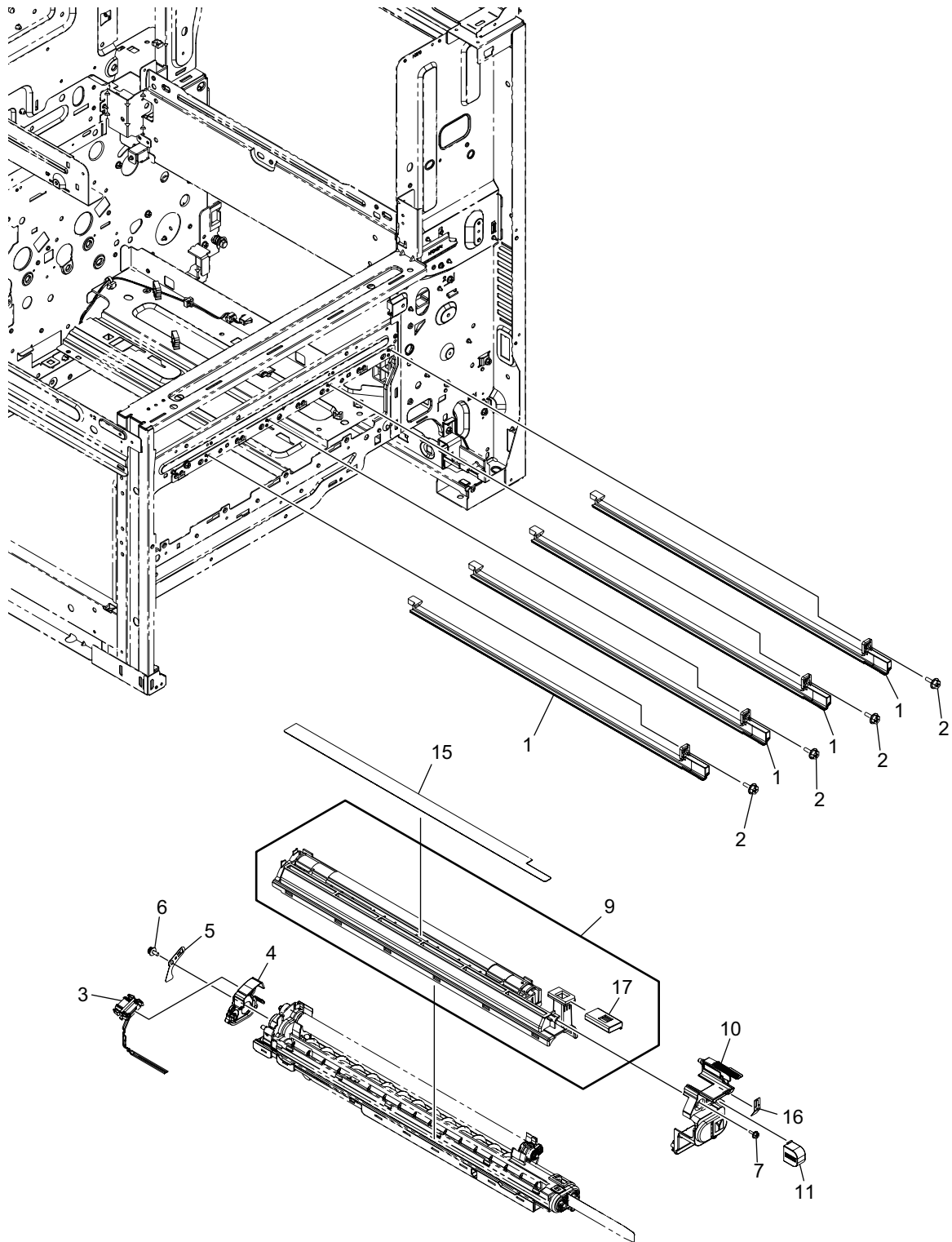


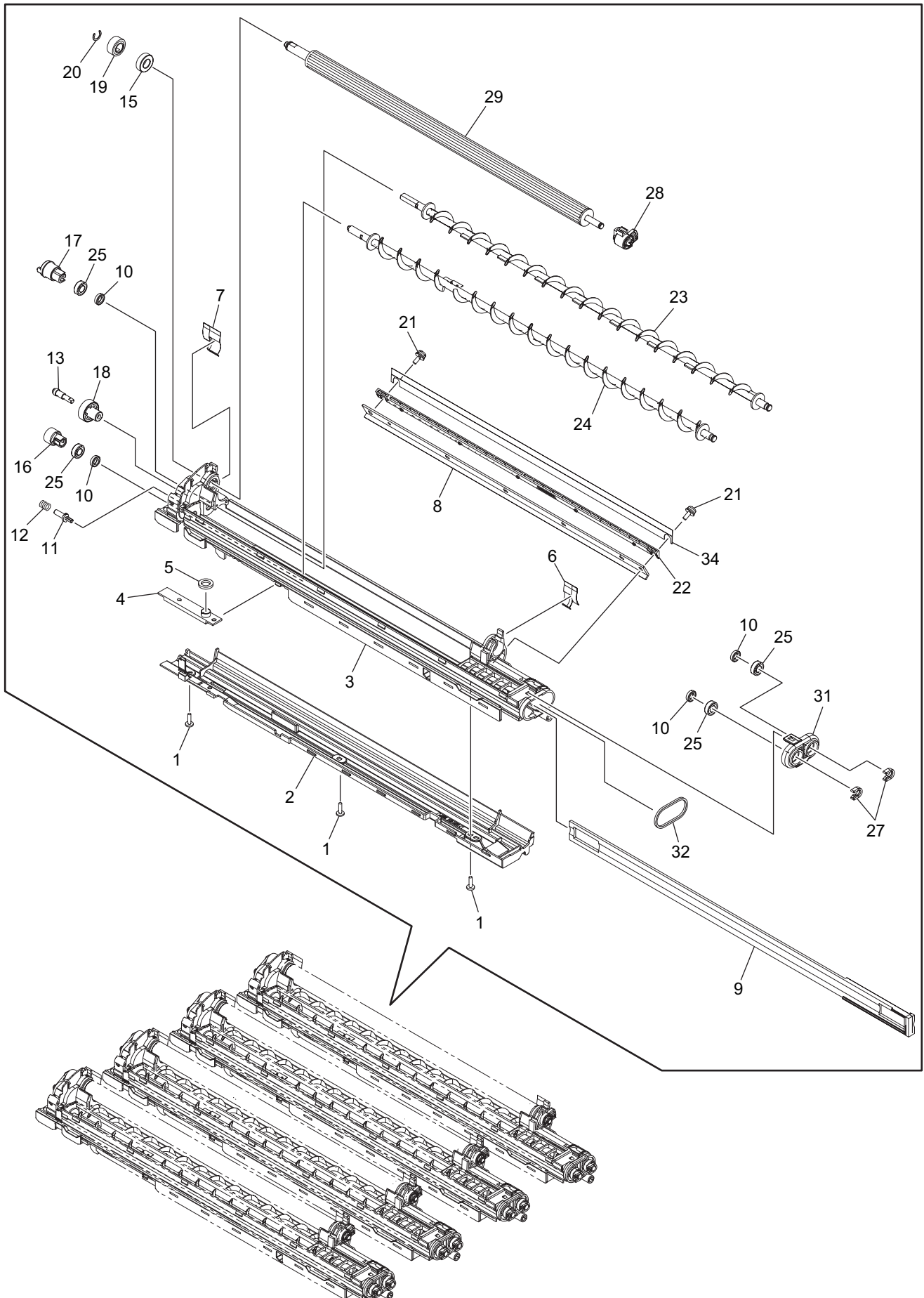


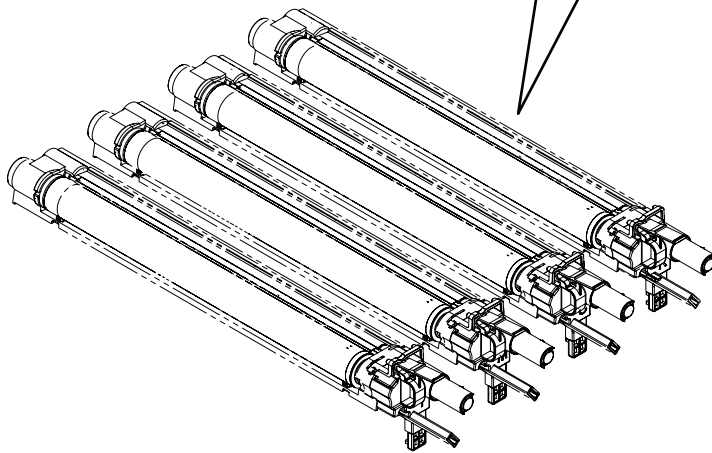
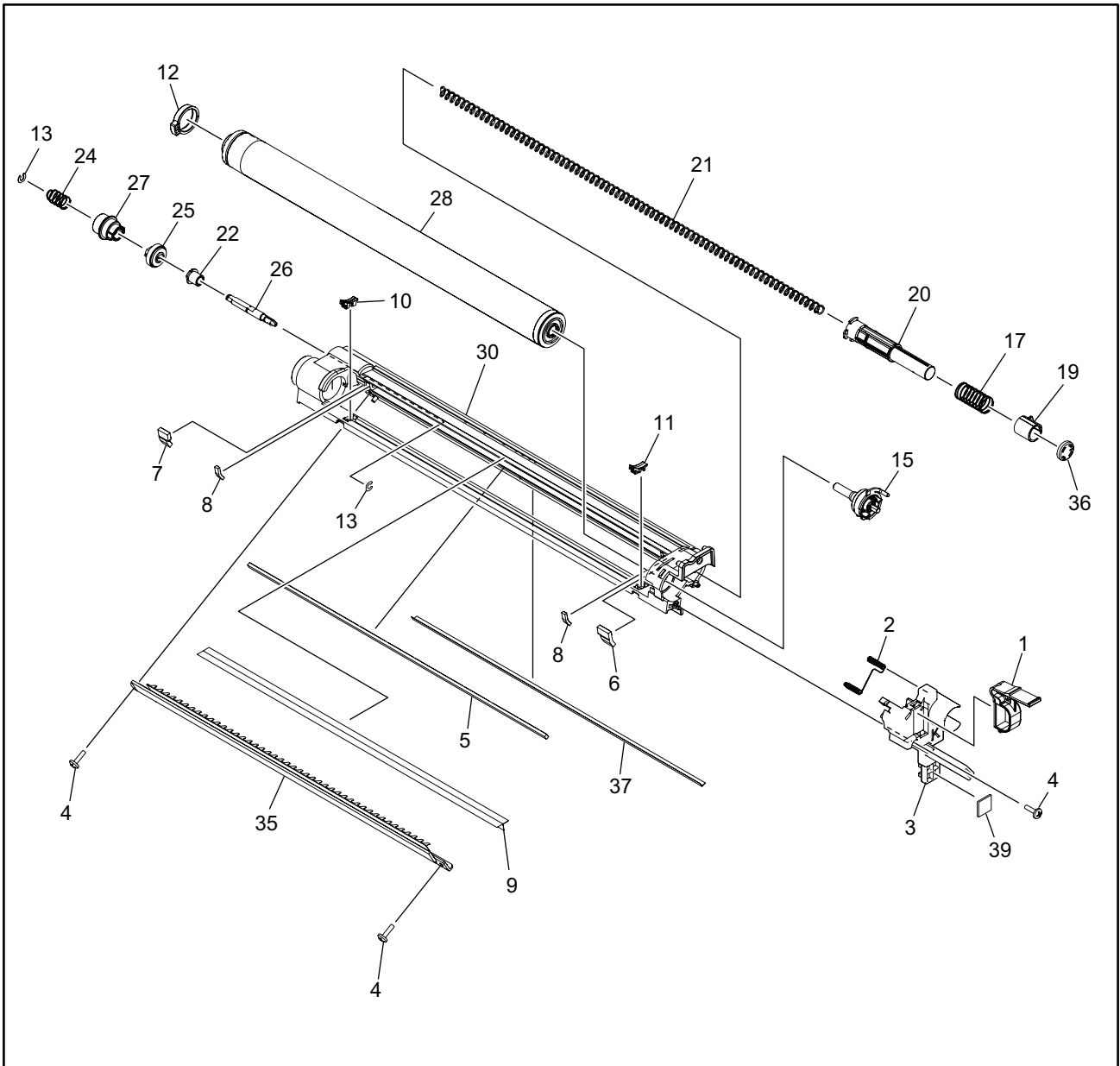




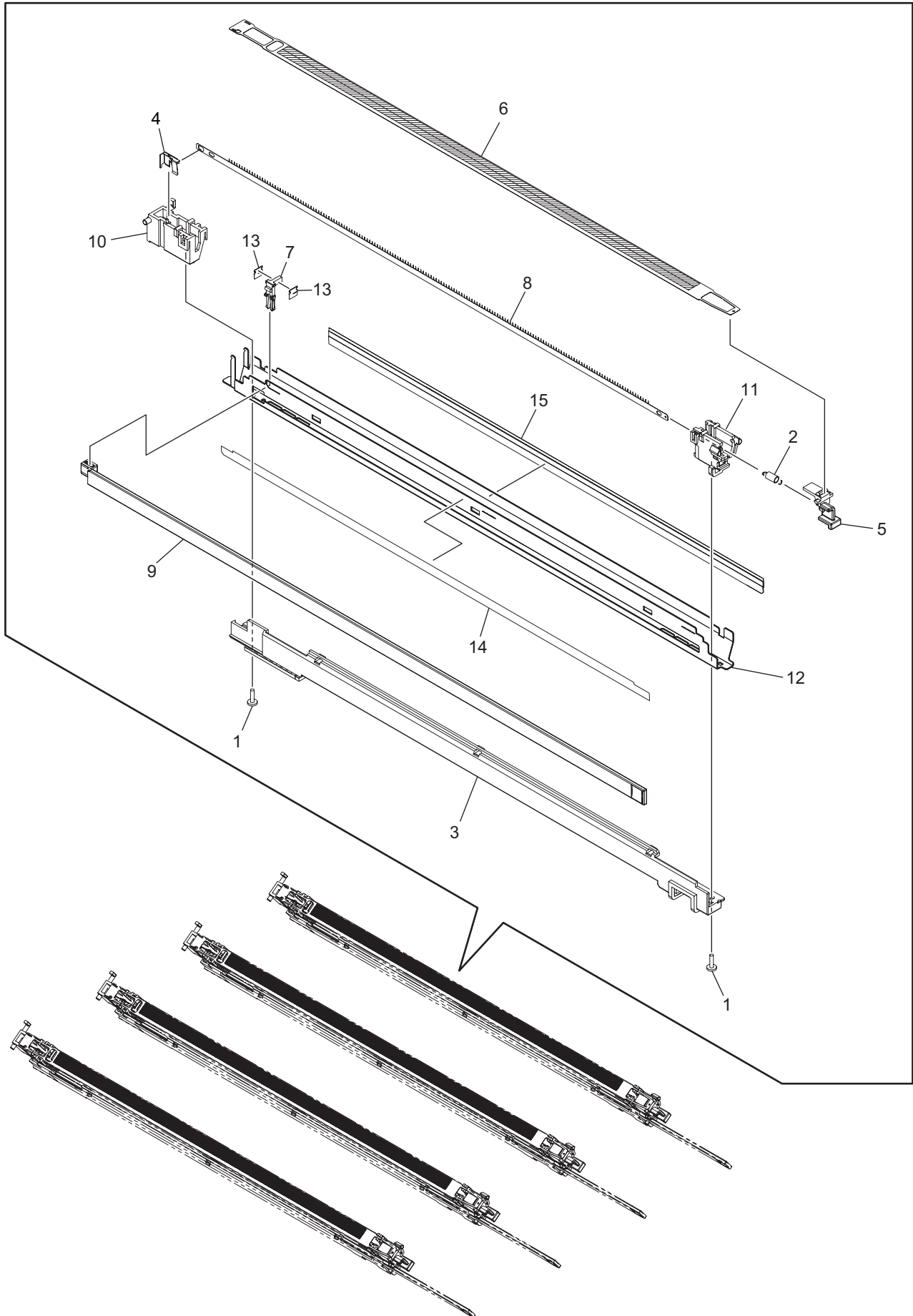
ITEM No.	PART No.	PART NAME	Q'TY / PAGE	Q'TY / PACK	REMARKS
1	6LK45367000	HRNS-LGC-ATEPU-H370	1	1/P	
2	E0-01853000	CS1A-B2CA	8	1/D	
3	E0-14465000	06R-RIZ-K4GG-FL (LF)(SN)	4	1/P	
4	6LJ54089000	SPG-E-DRW	4	1/P	
5	6LJ54088000	PLATE-HOLD-DRW	4	1/P	
6	6LJ54181000	BASE-DRW-RER-B	1	1/PP	
7	X0-02420000	S/TPS/FHEXM/R-3X8-ZU3	6	10/P	
8	6LJ54657000	COVER-HRNS	4	1/P	
9	6LA80090000	S/TPP/BID-3*8-NI	1	5/P	
10	6LK45390000	HRNS-LGC-DLED-H370	1	1/P	
11	6LJ60539000	THMS-DRM-H210	1	1/SB	
12	6LJ54669000	SPG-F-PUSHER-DEV-21X	8	1/P	
13	6LJ54746000	GUIDE-HRNS-LED-MID	2	1/P	
14	6LJ54665000	GUIDE-HRNS-LED	2	1/P	
15	6LJ61240000	LAMP-ERASE-FS-H210	4	1/SB	
16	6LJ54745000	HOLDER-LED-ERASE	4	1/KP	
17	6LJ54741000	LEVER-LED	4	1/P	
18	6LJ54666000	LINK-LED-LEVER	4	1/P	
19	6LJ54634000	SPG-C-8R1XR7X46R5-LED	2	1/P	
20	6LJ54661000	CASE-LED-LEFT	1	1/PP	
21	6LK49471000	ASYS-LED-HEAD	1	1/C	
22	6LJ54743000	LEVER-LED-DOWN	1	1/P	
23	6LJ54658000	LINK-GUIDE-HRNS-LED	1	1/PP	
24	6LJ54776000	SPG-F-EARTH-RER-A	1	1/C	
25	6LJ54777000	SPG-F-EARTH-FRT-A	1	1/C	
26 A	6LK45514000	ASYS-FFC-HEADY-H370-KR	1	1/P	Yellow
26 B	6LK45515000	ASYS-FFC-HEADM-H370-KR	1	1/P	Magenta
26 C	6LK45516000	ASYS-FFC-HEADC-H370-KR	1	1/P	Cyan
26 D	6LK45517000	ASYS-FFC-HEADK-H370-KR	1	1/P	Black
27 A	6LJ60882000	HRNS-LGC-YLEDP-212	1	1/P	Yellow
27 B	6LJ60883000	HRNS-LGC-MLEDP-212	1	1/P	Magenta
27 C	6LK45388000	HRNS-LGC-CLEDP-H370	1	1/P	Cyan
27 D	6LK45389000	HRNS-LGC-KLEDP-H370	1	1/P	Black
28	6LJ54663000	DUCT-COVER-OZONE	1	1/P	
29	6LJ54768000	CASE-LED-RIGHT	1	1/PP	
36	6LJ54721000	GUIDE-EPU	1	1/PP	
38	6LJ54742000	SHEET-GUIDE-HRNS	2	5/P	

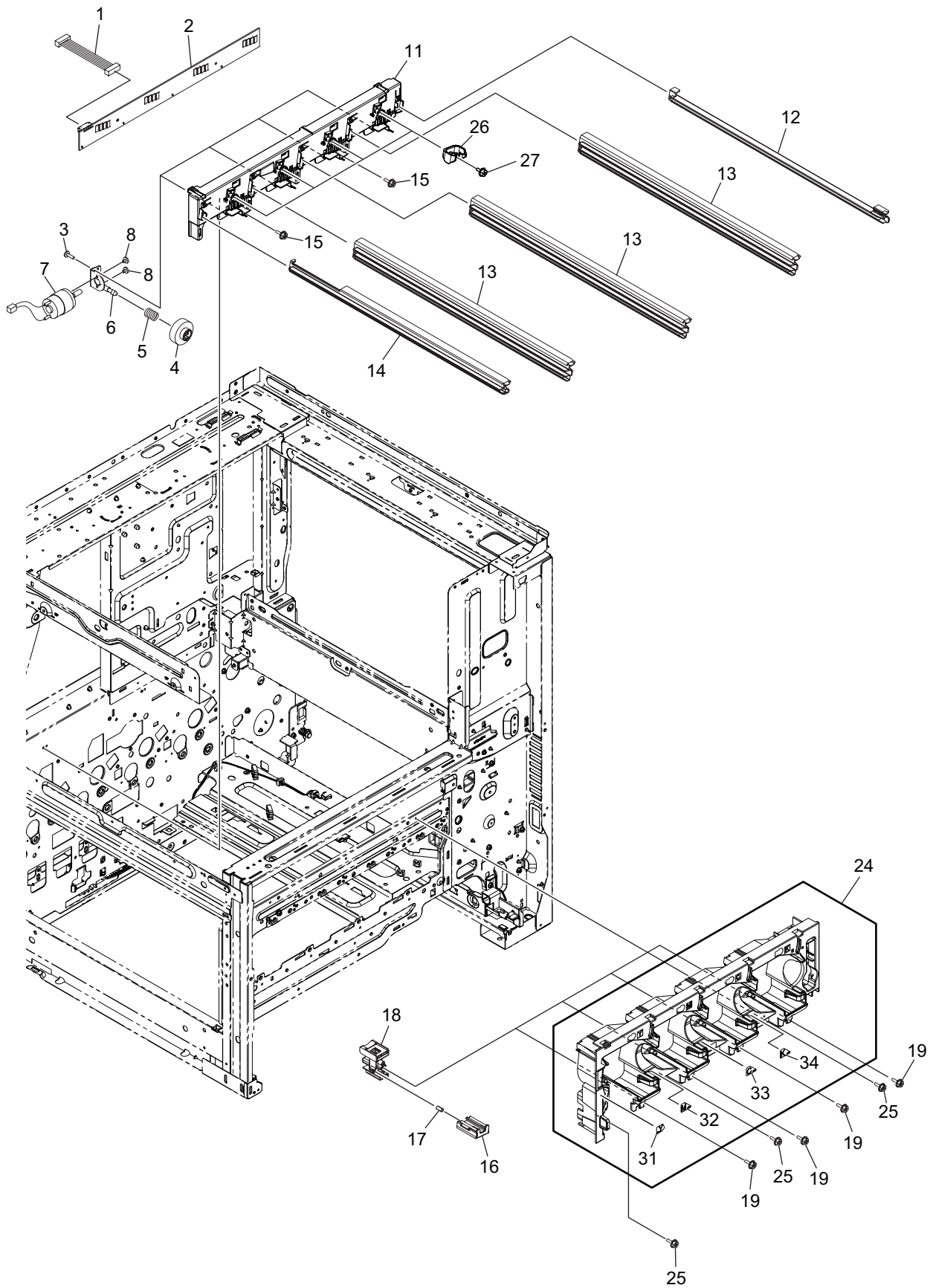


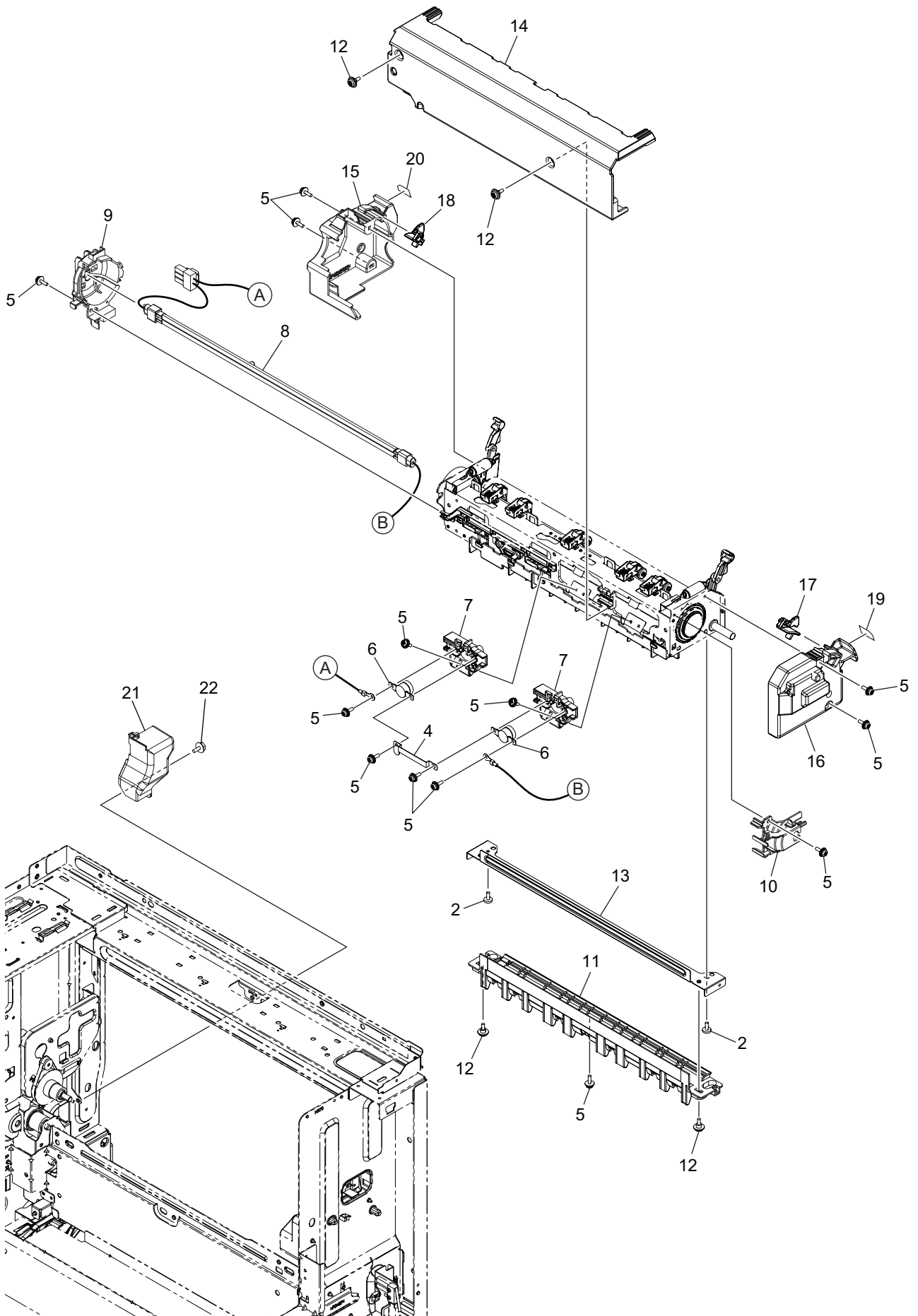


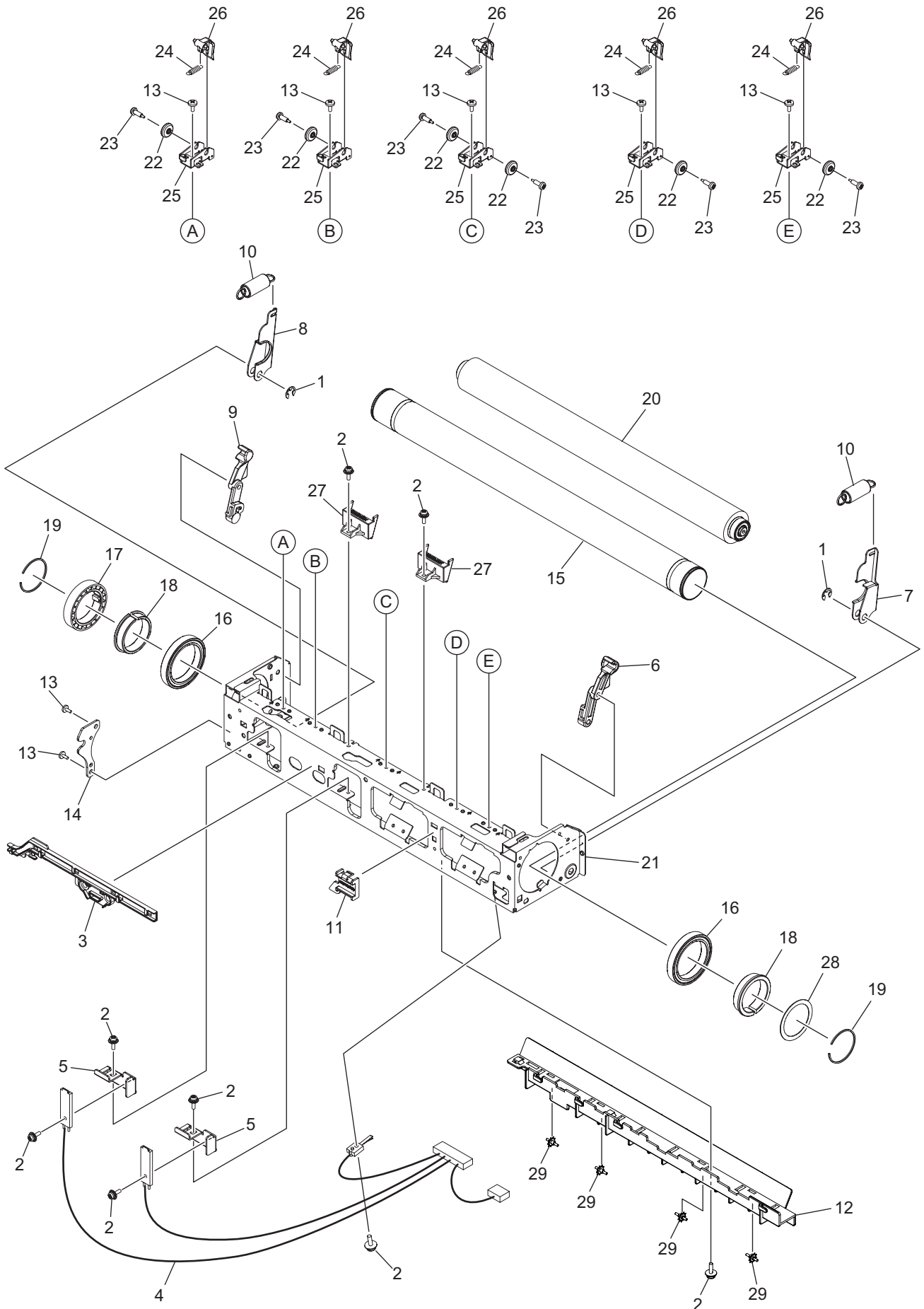


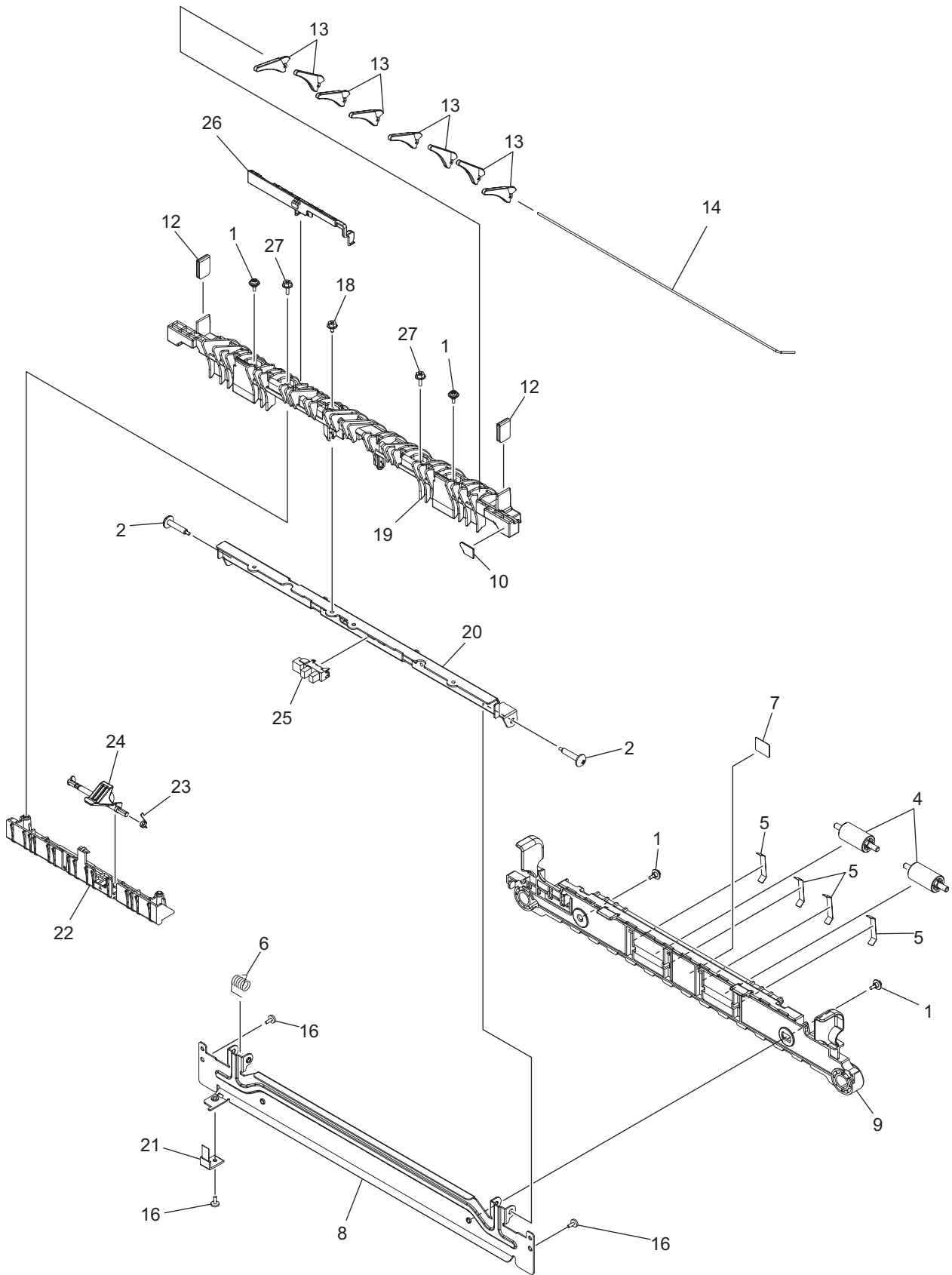
ITEM No.	PART No.	PART NAME	Q'TY / PAGE	Q'TY / PACK	REMARKS
1	6LJ54094100	HOOK-CLNR-DRUM-H21X_S	1	1/P	
2	6LJ54036000	SPG-DRUM-EARTH-H21X	1	1/P	
3 A	6LJ54007B00	COV-DRUM-CLNR-F-H21X-LY_S	1	1/P	Yellow
3 B	6LJ54007A00	COV-DRUM-CLNR-F-H21X-LM_S	1	1/P	Magenta
3 C	6LJ54007900	COV-DRUM-CLNR-F-H21X-LC_S	1	1/P	Cyan
3 D	6LJ54007800	COV-DRUM-CLNR-F-H21X-LK_S	1	1/D	Black
4	6LA80090000	S/TPP/BID-3*8-NI	3	5/P	
5	6LJ54033000	SEAL-CASE-CLNR-H21X	1	1/KP	
6	6LJ54241000	SEAL-SIDE-FRT-H21X	1	5/P	
7	6LJ54242000	SEAL-SIDE-RER-H21X	1	5/P	
8	6LJ54034000	SEAL-BLADE-BACK-H21X	2	5/P	
9	6LJ54029000	BLADE-REC-H21X	1	1/KP	
10	6LJ54012000	SPACER-LED-RER-H21X	1	1/P	
11	6LJ54011000	SPACER-LED-FRT-H21X	1	1/P	
12	6LJ54005000	BUSH-DRUM-RER-H21X	1	1/P	
13	6LJ54091000	RRG-4-P-N	2	1/P	
15	6LJ54110000	ASYB-BUSH-DRUM-FRT-H21X	1	1/D	
17	6LJ54040000	SPG-SHUT-CNLR-DRUM-H21X	1	1/P	
19	6LJ54015000	SHUT-NOZZLE-CLNR-H21X	1	1/P	
20	6LJ54014100	NOZZLE-CLNR-AUGER-H21X_S	1	1/P	
21	6LJ54003000	SPG-AUGER-8-5_5-H21X	1	1/P	
22	6LJ54001000	BUSH-AUGER-RER-H21X	1	1/P	
24	6LJ54039000	SPG-DOG-CLNR-DRUM-H21X	1	1/P	For SVP
25	6LJ54030000	GEAR-6S30-6-AUGER	1	1/P	
26	6LJ54013000	HOLDER-DOG-H21X	1	1/P	
27	6LJ54016000	DOG-DRUM-CLR-6	1	1/P	For SVP
28	6LJ70402200	OD-FC30N	1	1/S	
30	6LJ54198000	ASYS-CASE-CLNR-DRUM-H21X	1	1/C	
35	6LK49077000	BL-FC200D	1	1/S	
36	6LJ54126000	CAP-NOZZLE-CLNR-D-H21X	1	1/P	
37	6LJ54146000	BLADE-CLN-H21X	1	1/KP	
39	6LJ54161000	SHEET-PUSHER-CLNR	1	5/P	

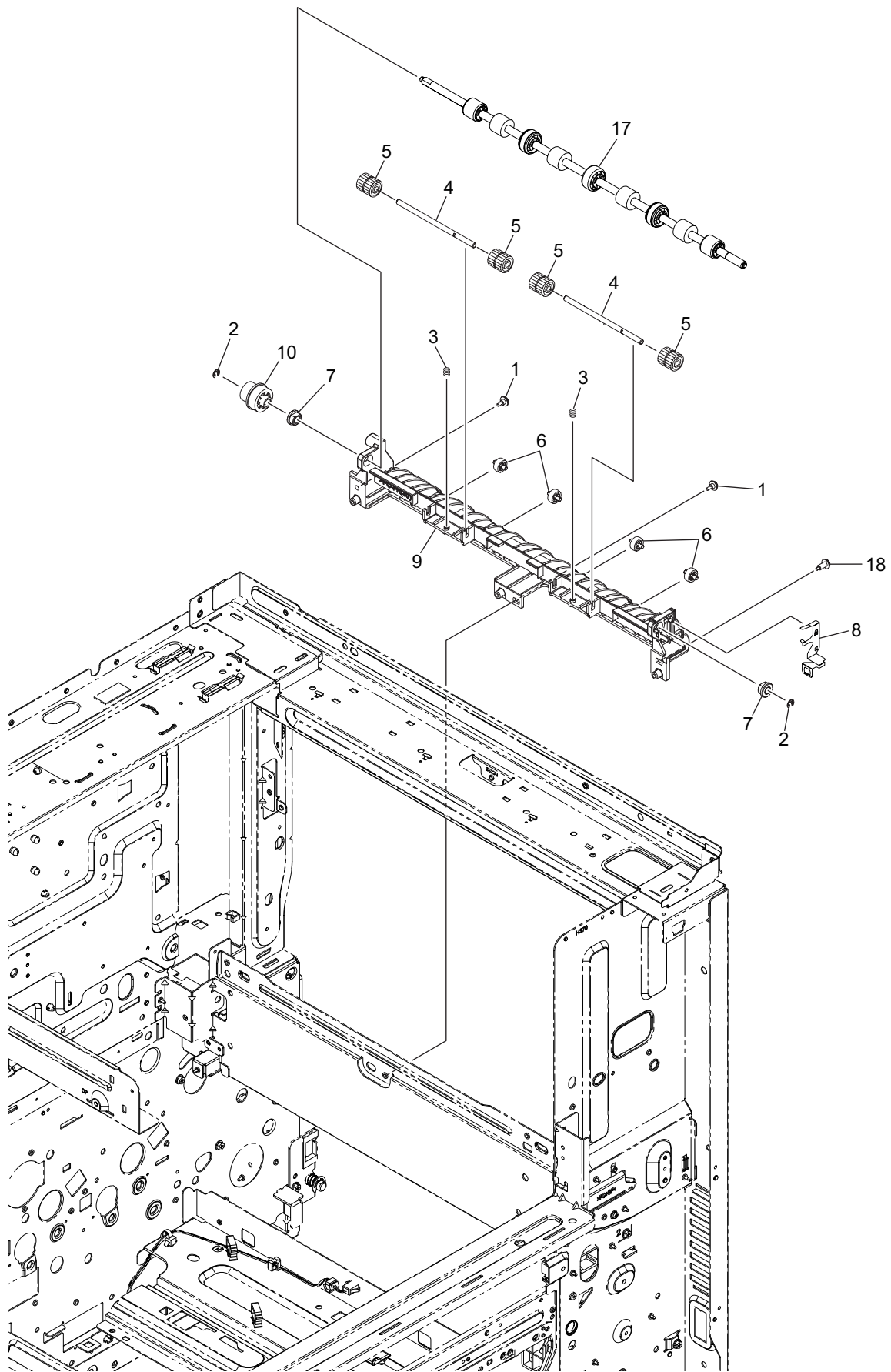


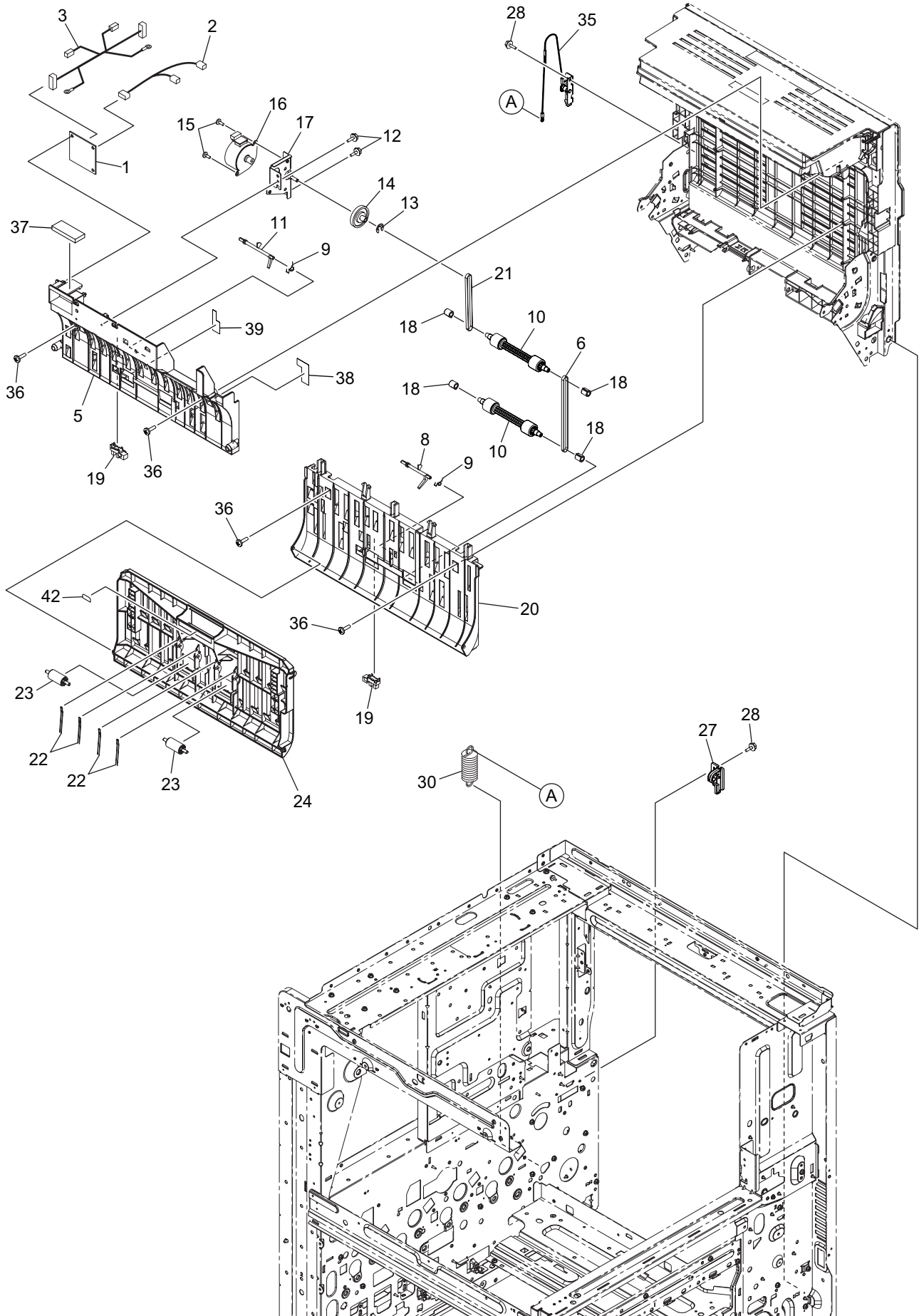


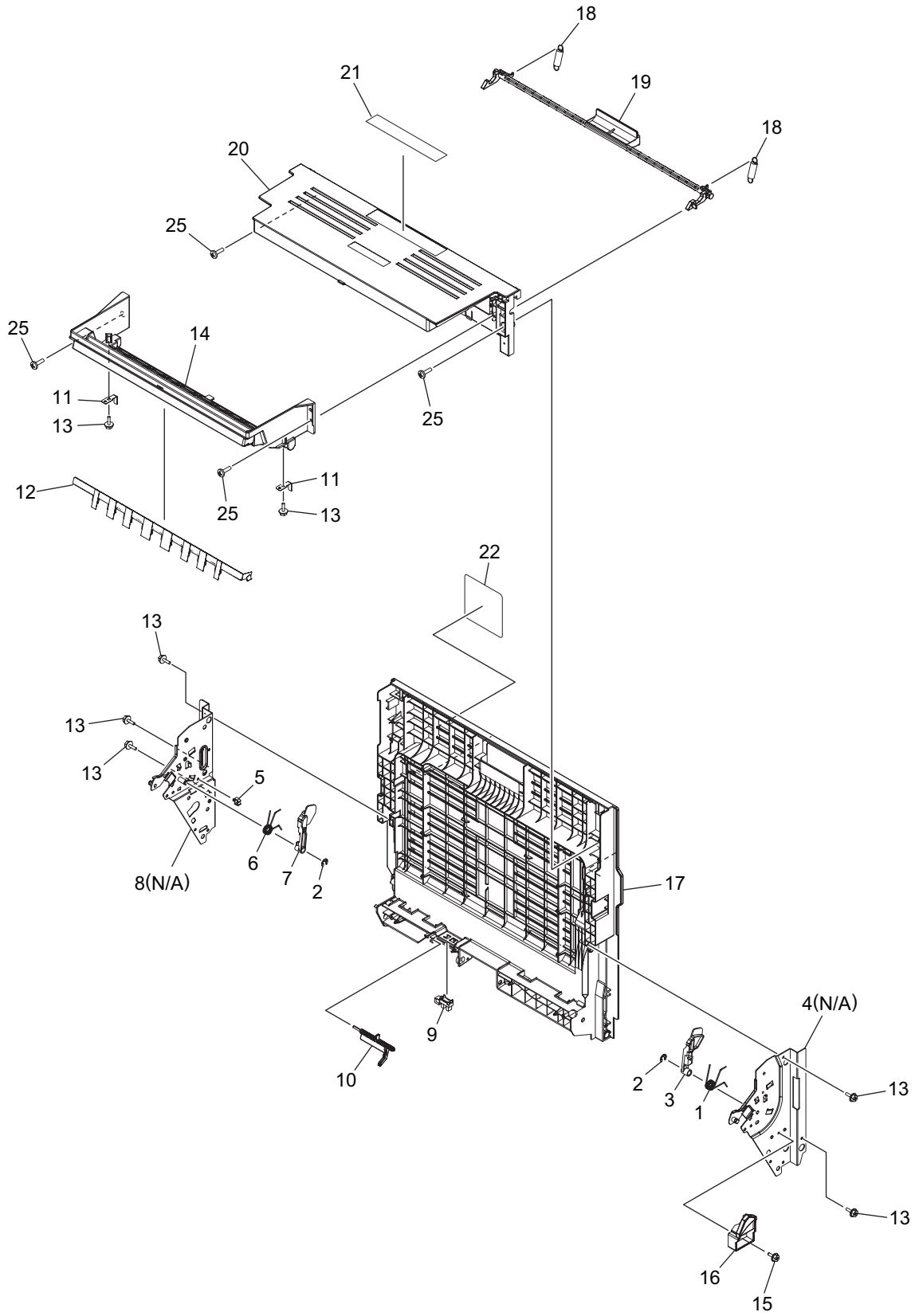


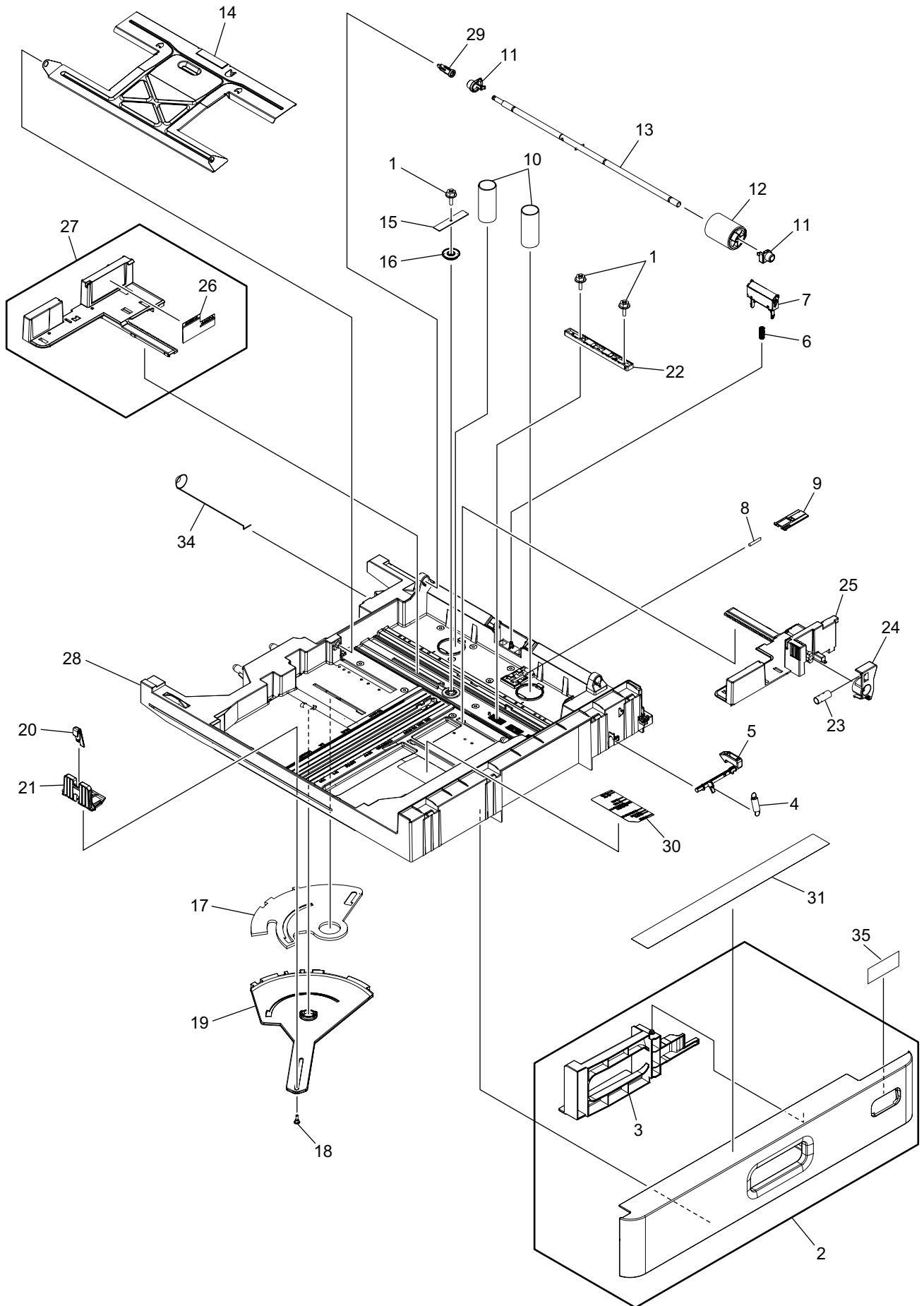




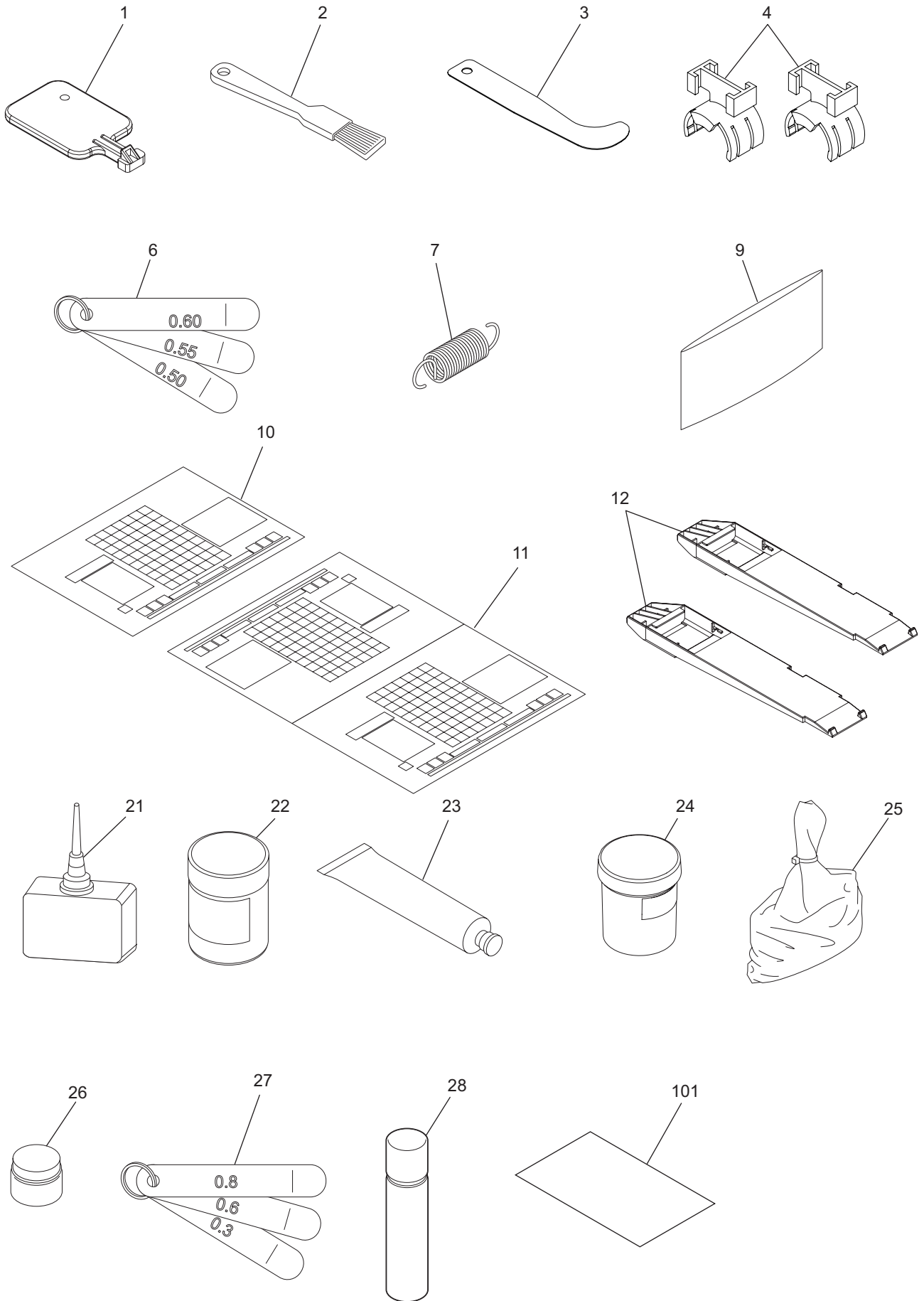


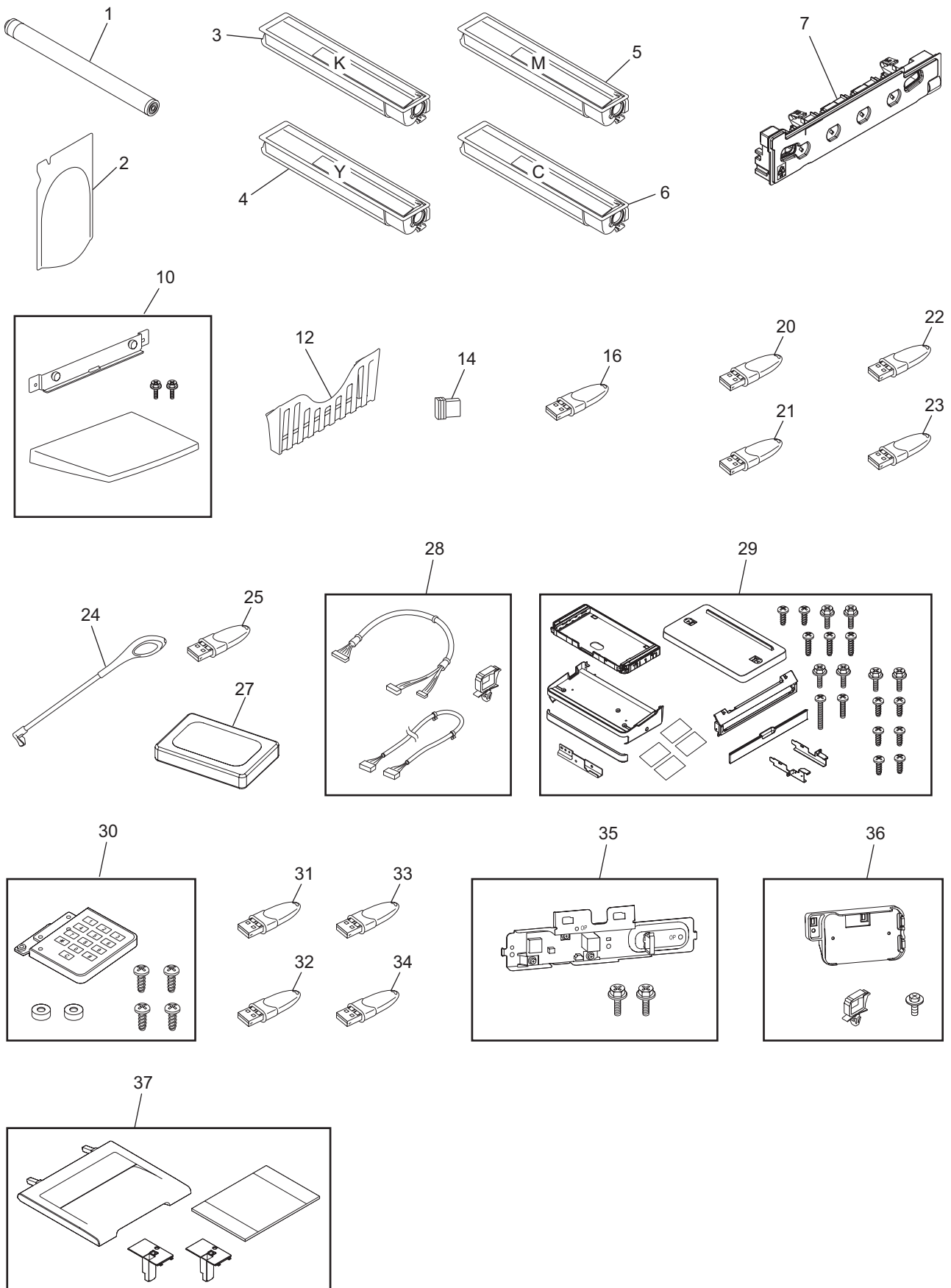




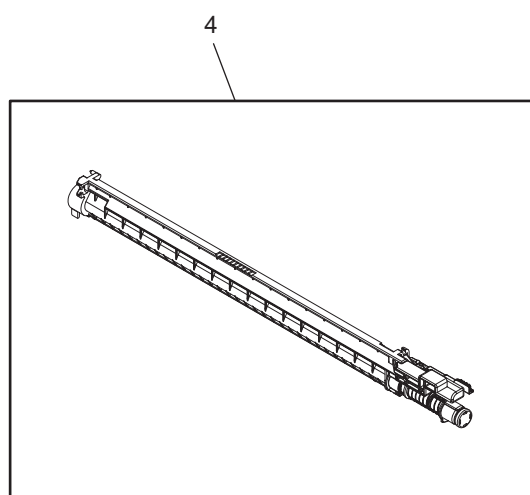
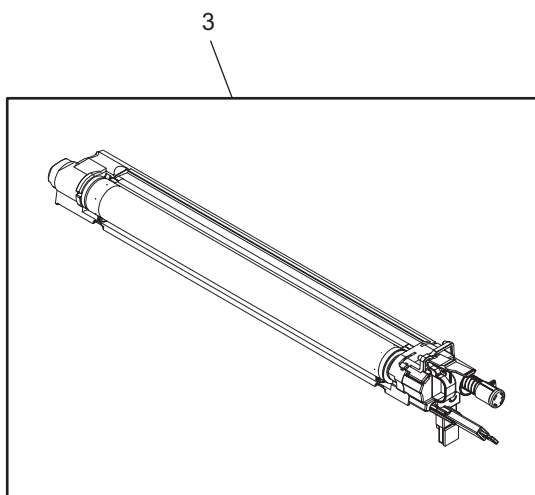
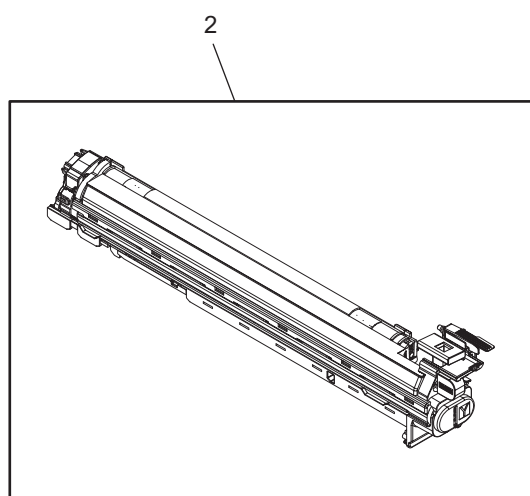
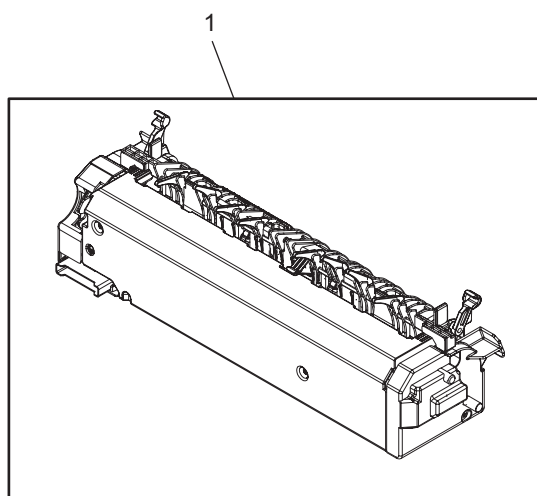


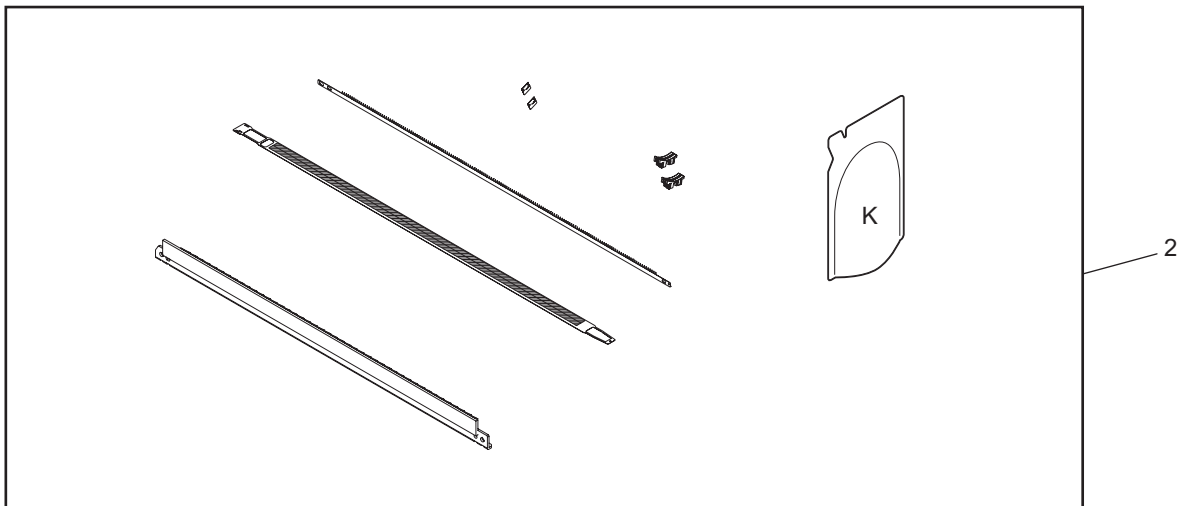
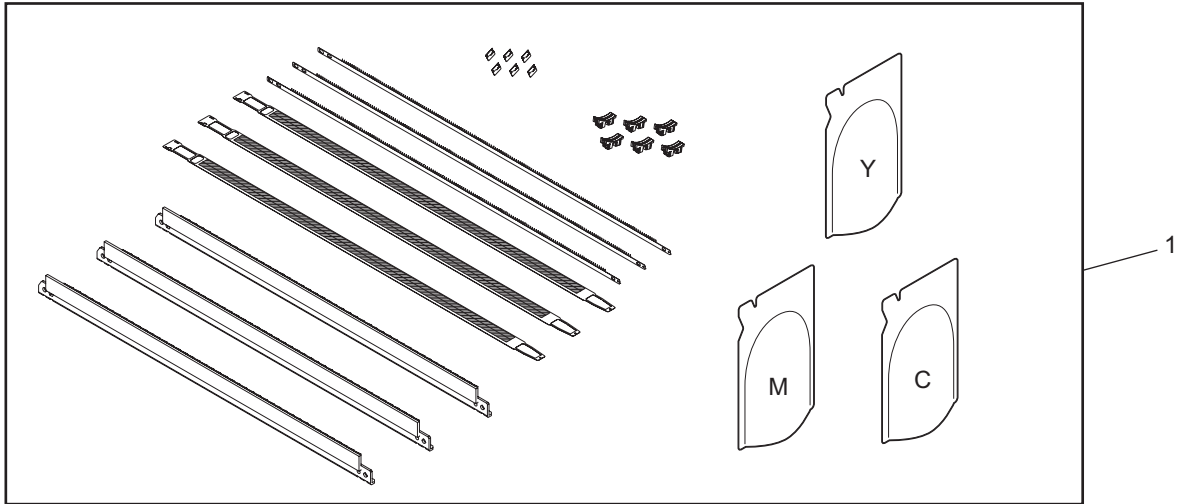
ITEM No.	PART No.	PART NAME	Q'TY / PAGE	Q'TY / PACK	REMARKS
1	X0-02247000	S/TPP/FHEXM-3X8-NI	3	10/P	
2	6LK51224000	ASYB-COVER-CST-H370	1	1/PP	
3	6LJ56838200	HNDL-CST-H370	1	1/PP	
4	6LJ56839000	SPG-E-8R9XR9X29R5	1	1/P	
5	6LK51257000	LVR-CST-L-H37X_E_SHAFT	1	1/P	
6	6LJ56901000	SPG-PAD-CST-H21X	1	1/P	
7	6LJ56946000	ASYS-HOLD-PAD-H21X	1	1/P	
8	6LJ56891000	SPG-LATCH-TRAY-H21X	1	1/P	
9	6LJ46939000	STOP-PLATE-CST-4	1	1/P	
10	6LJ56897000	SPG-CSSTT-H21X	2	1/P	
11	6LJ56811000	BUSH-CST-H21X	2	1/P	
12	6LJ56863000	ASYS-ROL-CST-H21X	1	1/P	
13	6LJ56809000	ASYS-SHAFT-CST-H21X	1	1/P	
14	6LJ57362000	ASYS-PLATE-CSSTT-G	1	1/P	
15	6LK51241000	PLT-WALL-GEAR-H370	1	1/P	
16	6LE53717000	GEAR-10S18-8-TRAY	1	1/P	
17	6LH05721000	PUSHER-SIDE-CST-F43X	1	1/P	
18	6LH05511000	SCREW-M3X8-3.2-P	1	5/P	
19	6LK51261000	PUSHER-END-CST-H21X	1	1/P	
20	6LJ46922000	SPG-T-END-WALL	1	1/P	
21	6LJ56812100	WALL-CST-END-H21X_S	1	1/P	
22	6LJ56815000	WALL-STOP-H21X	1	1/P	
23	6LA56695000	SPC-LVR-WALL-F	1	1/P	
24	6LJ56802100	LEVER-LOCK-WALL-H21X_S	1	1/P	
25	6LJ56835100	SLIDE-WALL-F-H21XR	1	1/PP	
26	6LJ56879000	LBL_O-MAX-CST-H21X	1	1/P	
27	6LJ56878100	ASYS-SLIDE-WALL-R-H21XR	1	1/PP	
28	6LJ56800200	CST-EL-H370R	1	1/PP	
29	6LJ56859000	BUSH-DRV-CST-H21X_L	1	1/P	
30	6LK51248000	LBL-PAPER-SIZE-LDA3-H370	1	1/P	
31 A	6LK51250000	LBL_O-GUIDE-CST-H370	1	1/KP	NAD,MJD,ASD,AUD,ARD
31 B	6LK51251000	LBL_O-GUIDE-CST-H370-C	1	1/KP	CND
34	6LJ56894000	SPG-EARTH-CST-H21X	1	1/P	
35 A	6LK51245000	SIZE-CST-37X-A4	1	1/KP	MJD,ASD,AUD,ARD,CND
35 B	6LK51245100	SIZE-CST-37X-LT	1	1/KP	NAD





ITEM No.	PART No.	PART NAME	Q'TY / PAGE	Q'TY / PACK	REMARKS
1	6LJ70402200	OD-FC30N	1	1/S	
2 A	6LJ70994300	D-FC30-K	1	1/S	DEVELOPER (K)
2 B	6LJ70994000	D-FC30-Y	1	1/S	DEVELOPER (Y)
2 C	6LJ70994100	D-FC30-M	1	1/S	DEVELOPER (M)
2 D	6LJ70994200	D-FC30-C	1	1/S	DEVELOPER (C)
3 A	6AK00000294	PS-ZTFC200UK(1)	1	SUPPLY	TONER (K) for NAD,TCL
3 B	6AJ00000123	PS-ZTFC200EK(1)	1	SUPPLY	TONER (K) for MJD
3 C	6AG00006796	PS-ZTFC200PK(1)	1	SUPPLY	TONER (K) for AUD,ASD
3 D	6AG00006930	PS-ZTFC200PKM(1)	1	SUPPLY	TONER (K) for ASD
3 E	6AG00007020	PS-ZTFC505CK(1)	1	SUPPLY	TONER (K) for CND
3 F	6AG00006952	PS-ZTFC505CKS(1)	1	SUPPLY	TONER (K) for CND
3 G	6AG00006938	PS-ZTFC505TK(1)	1	SUPPLY	TONER (K) for TWD
4 A	6AK00000302	PS-ZTFC200UY(1)	1	SUPPLY	TONER (Y) for NAD,TCL
4 B	6AJ00000131	PS-ZTFC200EY(1)	1	SUPPLY	TONER (Y) for MJD
4 C	6AG00006814	PS-ZTFC200PY(1)	1	SUPPLY	TONER (Y) for AUD,ASD
4 D	6AG00006923	PS-ZTFC200PYM(1)	1	SUPPLY	TONER (Y) for ASD
4 E	6AG00006965	PS-ZTFC505CY(1)	1	SUPPLY	TONER (Y) for CND
4 F	6AG00006969	PS-ZTFC505CYS(1)	1	SUPPLY	TONER (Y) for CND
4 G	6AG00006946	PS-ZTFC505TY(1)	1	SUPPLY	TONER (Y) for TWD
5 A	6AK00000298	PS-ZTFC200UM(1)	1	SUPPLY	TONER (M) for NAD,TCL
5 B	6AJ00000127	PS-ZTFC200EM(1)	1	SUPPLY	TONER (M) for MJD
5 C	6AG00006805	PS-ZTFC200PM(1)	1	SUPPLY	TONER (M) for ASD,AUD
5 D	6AG00006934	PS-ZTFC200PMM(1)	1	SUPPLY	TONER (M) for ASD
5 E	6AG00006956	PS-ZTFC505CM(1)	1	SUPPLY	TONER (M) for CND
5 F	6AG00006961	PS-ZTFC505CMS(1)	1	SUPPLY	TONER (M) for CND
5 G	6AG00006942	PS-ZTFC505TM(1)	1	SUPPLY	TONER (M) for TWD
6 A	6AK00000290	PS-ZTFC200UC(1)	1	SUPPLY	TONER (C) for NAD,TCL
6 B	6AJ00000119	PS-ZTFC200EC(1)	1	SUPPLY	TONER (C) for MJD
6 C	6AG00006914	PS-ZTFC200PC(1)	1	SUPPLY	TONER (C) for ASD,AUD
6 D	6AG00006919	PS-ZTFC200PCM(1)	1	SUPPLY	TONER (C) for ASD
6 E	6AG00006935	PS-ZTFC505CC(1)	1	SUPPLY	TONER (C) for CND
6 F	6AG00006976	PS-ZTFC505CCS(1)	1	SUPPLY	TONER (C) for CND
6 G	6AG00007028	PS-ZTFC505TC(1)	1	SUPPLY	TONER (C) for TWD
7 A	6AG00004477	PS-TBFC30	1	SUPPLY	for NAD,TCL,AUD,ASD,ARD
7 B	6AG00004479	PS-TBFC30E	1	SUPPLY	for MJD
7 C	6AG00004478	PS-TBFC30C	1	SUPPLY	for CND
10 A	6AR00000925	KK-5005	1	SUPPLY	Work Tray (All except CND)
10 B	6AR00000926	KK-5005C	1	SUPPLY	Work Tray (CND)
12 A	6AR00001025	KK-5008	1	SUPPLY	Manual Pocket (All except CND)
12 B	6AR00001026	KK-5008C	1	SUPPLY	Manual Pocket (CND)
14 A	6AG00007054	GN-4020	1	SUPPLY	Wireless LAN Module (All except CND)
14 B	6AG00007055	GN-4020C	1	SUPPLY	Wireless LAN Module (CND)
16	6A000001051	GP-1070	1	SUPPLY	Data Overwrite enabler (All except NAD/ARD)
20	6A000001055	GS-1010	1	SUPPLY	Meta scan enabler
21	6A000001057	GS-1020	1	SUPPLY	External interface enabler
22	6A000001053	GP-1080	1	SUPPLY	IPSec enabler (All except CND)
23	6A000001309	GS-1007	1	SUPPLY	Unicode Font Enabler
24	6A000001733	KK-2560	1	SUPPLY	Accessible Arm
25	6A000001353	GP-1191	1	SUPPLY	Hardcopy Security Printing
27	6AG00006088	GE-1230	1	SUPPLY	FIPS HDD option (All except NAD/CND)
28	6A000001699	GQ-1280	1	SUPPLY	Harness kit for coin controller
29 A	6AH00000919	GR-1250	1	SUPPLY	Accessory Tray (All except CND)
29 B	6AH00000920	GR-1250C	1	SUPPLY	Accessory Tray (CND)
30 A	6AR00000993	GR-1260	1	SUPPLY	Panel Ten Key Option (All except CND)
30 B	6AG00007800	GR-1260C	1	SUPPLY	Panel Ten Key Option (CND)
31	6A000001700	GS-1080	1	SUPPLY	Embedded OCR Enabler
32	6A000001711	GS-1085	1	SUPPLY	Embedded OCR Enabler (All except ASD)
33	6A000001715	GS-1090	1	SUPPLY	Multi Station Print Enabler
34	6A000001704	GS-1095	1	SUPPLY	Multi Station Print Enabler (All except ASD)
35 A	6AG00007152	GR-1270	1	SUPPLY	USB Hub Option (All except CND)
35 B	6AG00007153	GR-1270C	1	SUPPLY	USB Hub Option (CND)
36 A	6AG00007775	GR-1290	1	SUPPLY	Card Reader Holder (All except CND)
36 B	6AG00007776	GR-1290C	1	SUPPLY	Card Reader Holder (CND)





TOSHIBA

TOSHIBA TEC CORPORATION

1-11-1, OSAKI, SHINAGAWA-KU, TOKYO, 141-8562, JAPAN