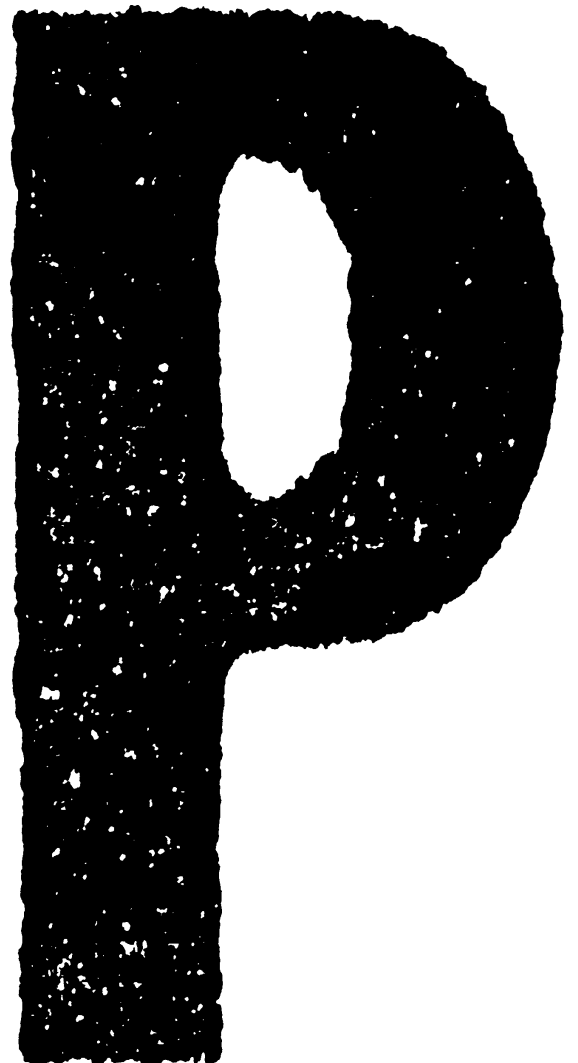


TOSHIBA

SERVICE PARTS LIST

MULTIFUNCTIONAL DIGITAL SYSTEMS

e-STUDIO195/225/245

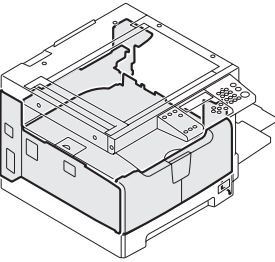
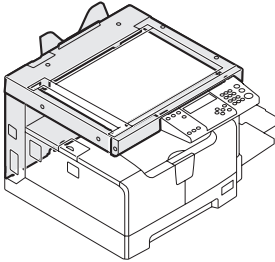
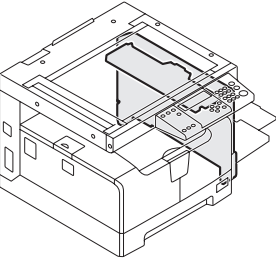
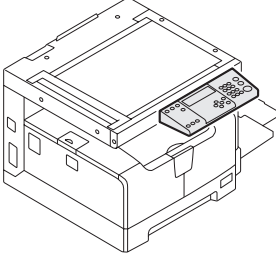
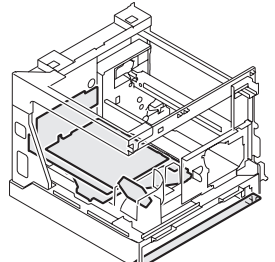
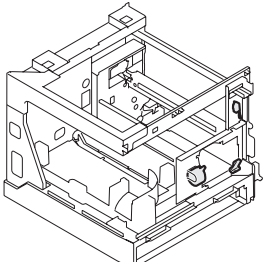
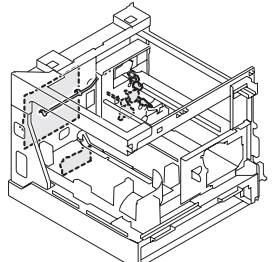
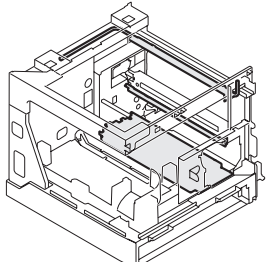
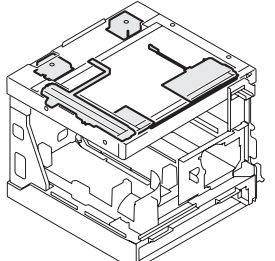
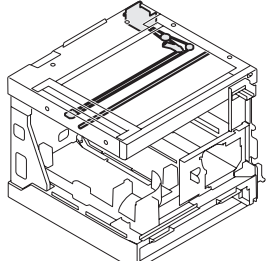
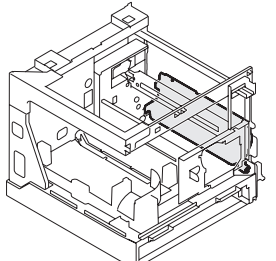
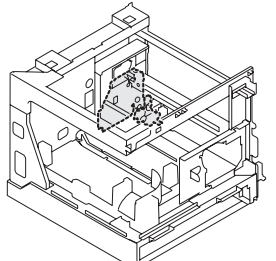
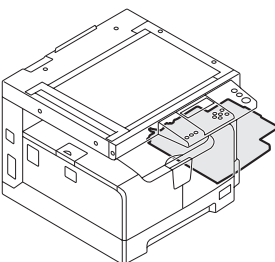
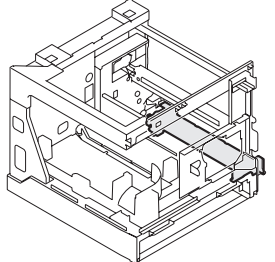
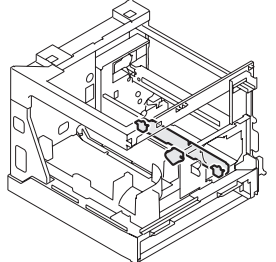
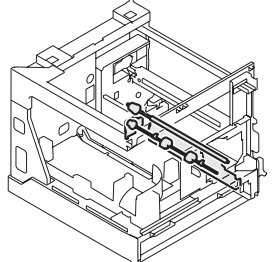
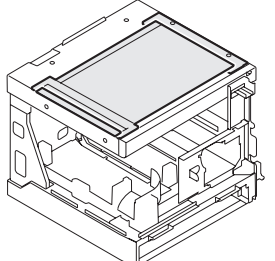
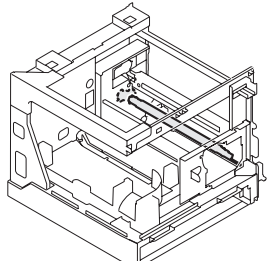
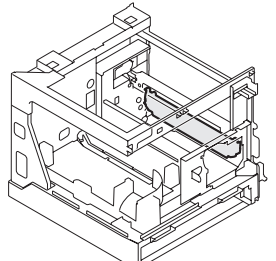
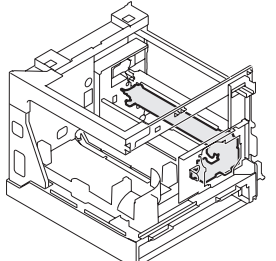


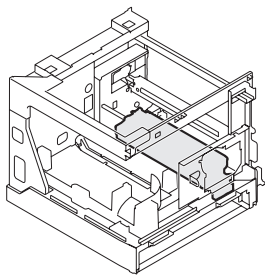
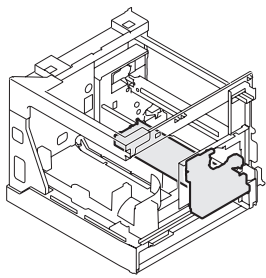
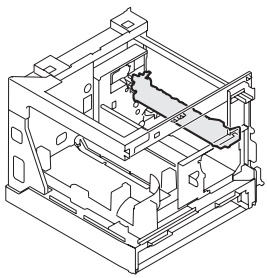
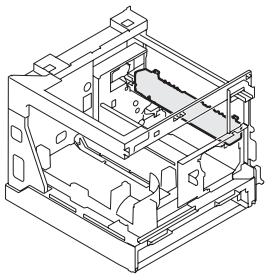
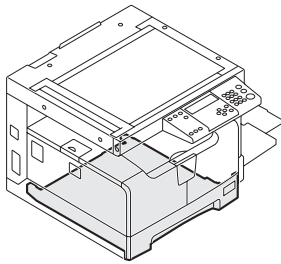
© 2011 TOSHIBA TEC CORPORATION All rights reserved

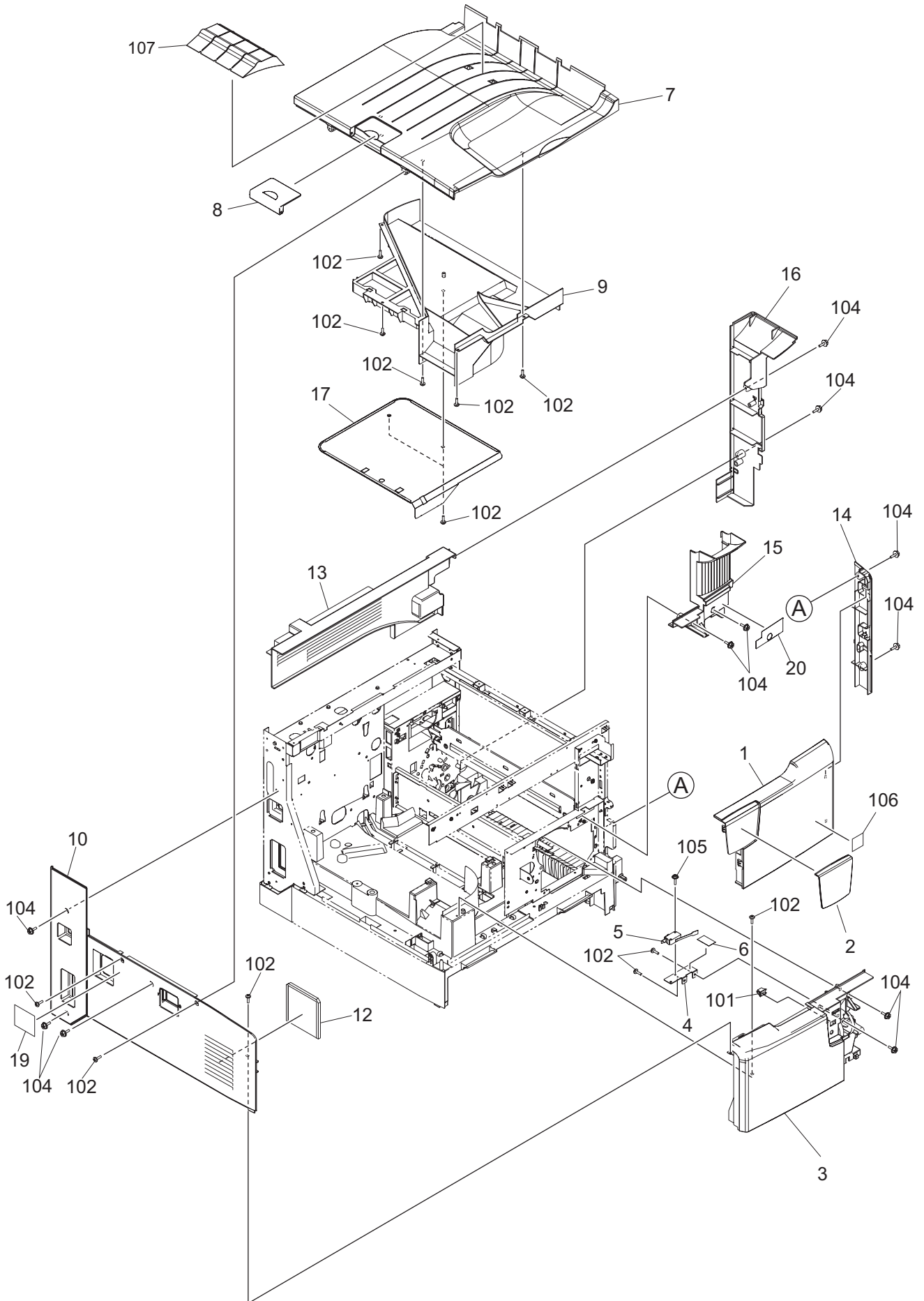
Under the copyright laws, this manual cannot be reproduced in any form without prior written permission of TOSHIBA TEC CORPORATION. No patent liability is assumed, however, with respect to the use of the information contained herein.

CONTENTS

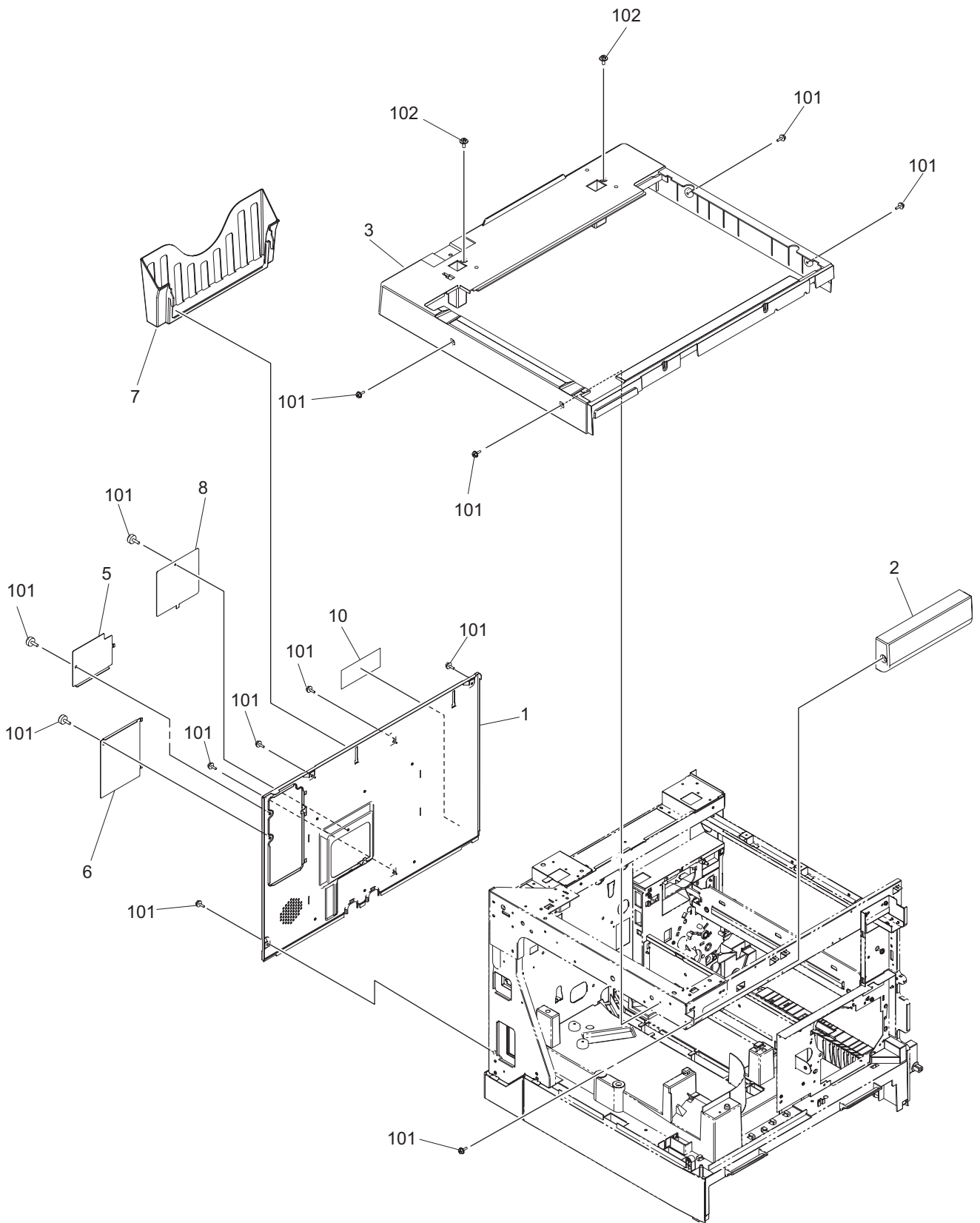
COVER-1-ASY	1
COVER-2-ASY	2
COVER-3-ASY	3
CONTROL-PANEL-ASY	4
BASE-FRAME-ASY	5
FRONT-FRAME-ASY	6
REAR-FRAME-ASY	7
STAY-ASY	8
OPTICAL-FRAME-ASY	9
OPTICAL-DRIVE-ASY	10
COVER-GUIDE-ASY	11
MAIN-DRIVE-ASY	12
BYPASS-ASY	13
BYPASS-FEEDER-ASY	14
GUIDE-ALIGNING-ASY	15
ALIGNING-ASY	16
PLATEN-ASY	17
MAIN-CHARGER-ASY	18
TRANSPORT-CHARGER-ASY	19
CLEANER-ASY	20
DEVELOPER-ASY	21
RECYCLE-ASY	22
FUSER-1-ASY	23
FUSER-2-ASY	24
DRAWER-ASY	25
JIGS & GREASE	101
DOWNLOAD JIGS	102
SUPPLIES	103
REPLACE UNIT	104
PM-KIT	105

<p>1. COVER-1-ASY</p> 	<p>2. COVER-2-ASY</p> 	<p>3. COVER-3-ASY</p> 	<p>4. CONTROL-PANEL-ASY</p> 
<p>5. BASE-FRAME-ASY</p> 	<p>6. FRONT-FRAME-ASY</p> 	<p>7. REAR-FRAME-ASY</p> 	<p>8. STAY-ASY</p> 
<p>9. OPTICAL-FRAME-ASY</p> 	<p>10. OPTICAL-DRIVE-ASY</p> 	<p>11. COVER-GUIDE-ASY</p> 	<p>12. MAIN-DRIVE-ASY</p> 
<p>13. BYPASS-ASY</p> 	<p>14. BYPASS-FEEDER-ASY</p> 	<p>15. GUIDE-ALIGNING-ASY</p> 	<p>16. ALIGNING-ASY</p> 
<p>17. PLATEN-ASY</p> 	<p>18. MAIN-CHARGER-ASY</p> 	<p>19. TRANSPORT-CHARGER-ASY</p> 	<p>20. CLEANER-ASY</p> 

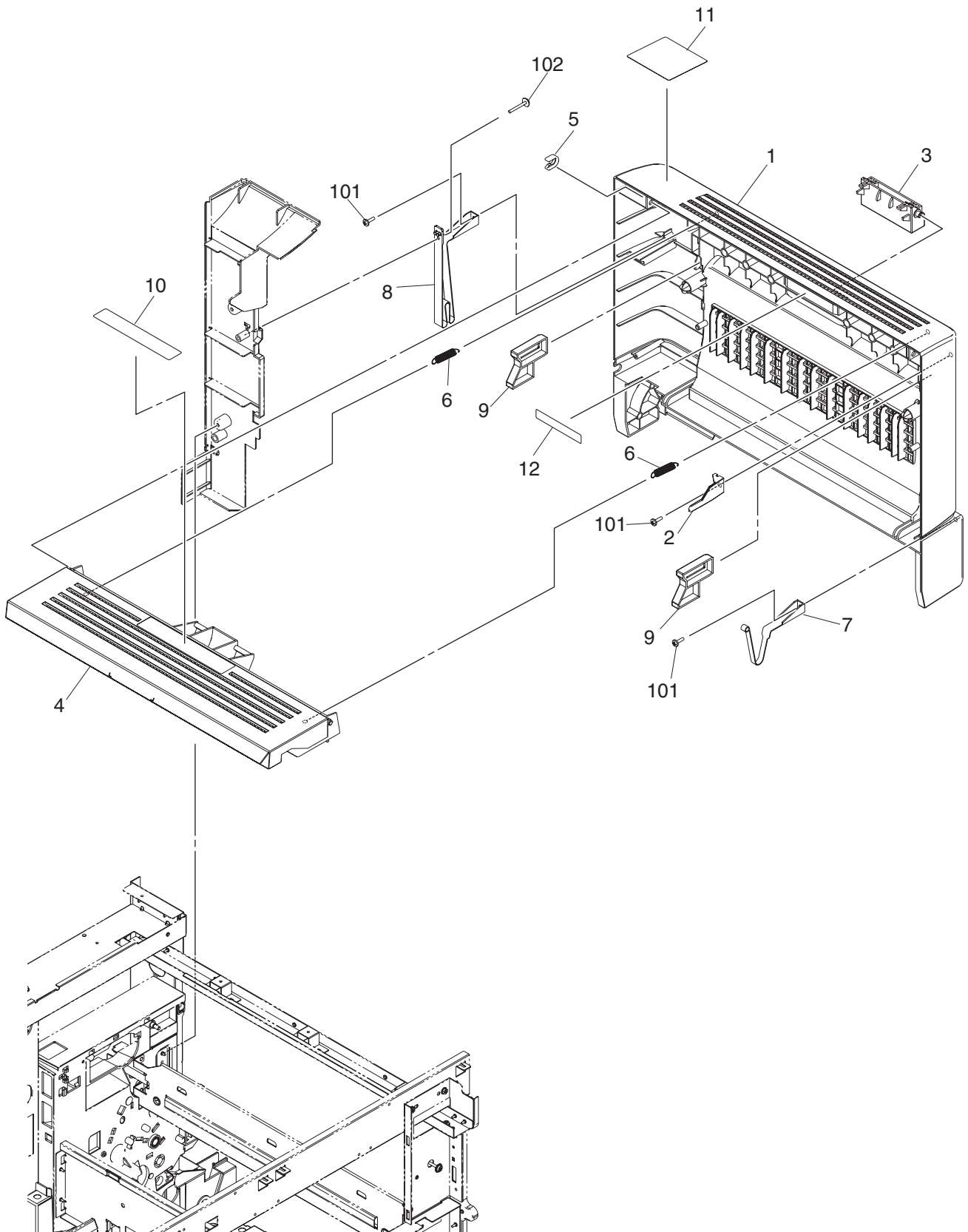
<p>21. DEVELOPER-ASY</p> 	<p>22. RECYCLE-ASY</p> 	<p>23. FUSER-1-ASY</p> 	<p>24. FUSER-2-ASY</p> 
<p>25. DRAWER-ASY</p> 			



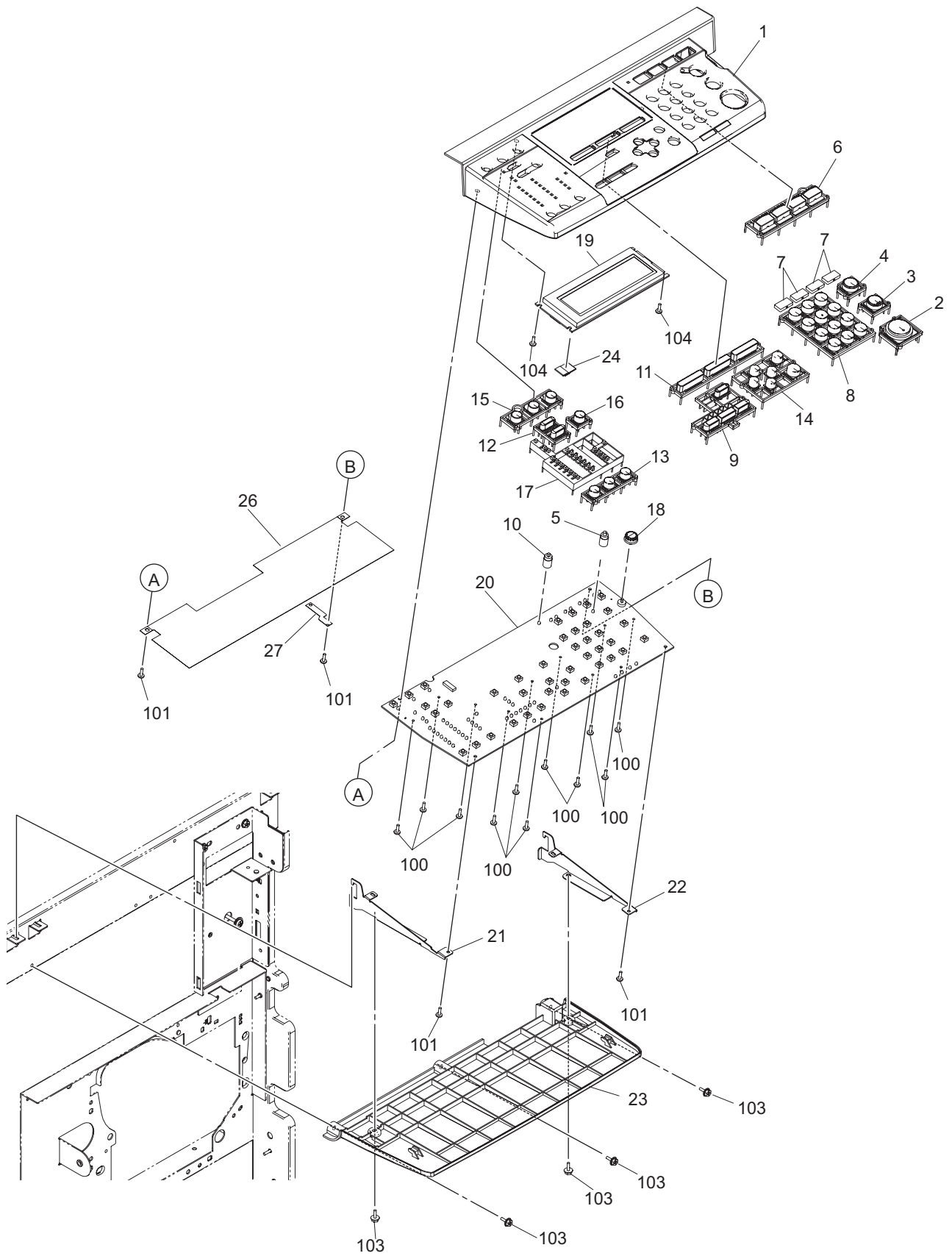
ITEM No.	PART No.	PART NAME	Q'TY / PAGE	Q'TY / PACK	REMARKS
1	6LE55209000	COVER-FRONT-R	1	1/PP	
2 A	6LJ47400200	ASYS-COVER-EMBLEM-195	1	1/PP	e-STUDIO195
2 B	6LJ47400500	ASYS-COVER-EMBLEM-195BM	1	1/PP	e-STUDIO195i
2 C	6LJ47400300	ASYS-COVER-EMBLEM-225	1	1/PP	e-STUDIO225
2 D	6LJ47400600	ASYS-COVER-EMBLEM-225BM	1	1/PP	e-STUDIO225i
2 E	6LJ47400400	ASYS-COVER-EMBLEM-245	1	1/PP	e-STUDIO245
2 F	6LJ47400700	ASYS-COVER-EMBLEM-245BM	1	1/PP	e-STUDIO245i
3	6LE55219000	COVER-FRONT-L	1	1/PP	
4	6LE57906000	BRKT-FRAME-SENSOR	1	1/P	
5	6LH27405000	SW-ITLOCKV	1	1/C	
6	6LE55221000	MYLAR-FRM-SENSOR	1	1/KP	
7	6LJ47407100	COVER-TR_DV	1	1/PP	
8	6LE55260100	COVER-STOP-P DV	1	1/P	
9	6LH88547000	COVER-DUCT-TRAY	1	1/PP	
10	6LE55238000	COVER-LEFT	1	1/PP	
12	6LE55240000	FILTER-COV-LEFT	1	1/KP	
13	6LE55248000	COVER-TRAY-BACK	1	1/PP	
14	6LE55268000	COVER-PILLAR-FRT-B	1	1/PP	
15	6LJ47405000	COVER-PILLAR-FRT-TN_FW	1	1/PP	
16	6LE55229000	COVER-RIGHT	1	1/PP	
17	6LH88544000	SHIELD-COV-TRAY	1	1/P	
19 A	44204604000	LBL-SERVICE-45	1	5/P	NAD,SAD,ASD,AUD,MJD,ARD,BMJ
19 C	6LA56227000	LBL-SERVICE-45C	1	5/KP	CND
19 D	6LA48504000	LBL-SERVICE-45-TWD	1	5/KP	TWD
20 A	6LE59160000	LBL-CAU-LASER	1	5/KP	NAD,SAD,ASD,AUD,MJD,ARD,BMJ
20 B	6LH29160000	LBL-CAU-LASER-CND	1	5/P	CND
20 D	6LE65093000	LBL-CAU-LASER-TWD	1	5/P	TWD
101	E0-01853000	CS1A-B2CA	1	1/D	
102	X0-02095000	S/TPP/BRZ-3X10-NI	12	10/P	
104	X0-02593000	S/TPD3/FHEXM-3X8-ZU3	11	10/P	
105	X0-01615000	S/TPS/FPAN-3X14-NC	1	10/P	
106 A	6LE84761000	LBL-ENERGY-T-PS-N	1	5/P	e-STUDIO245
107	6LJ47406000	COV-TRAY-EXIT-SUB	1	1/P	



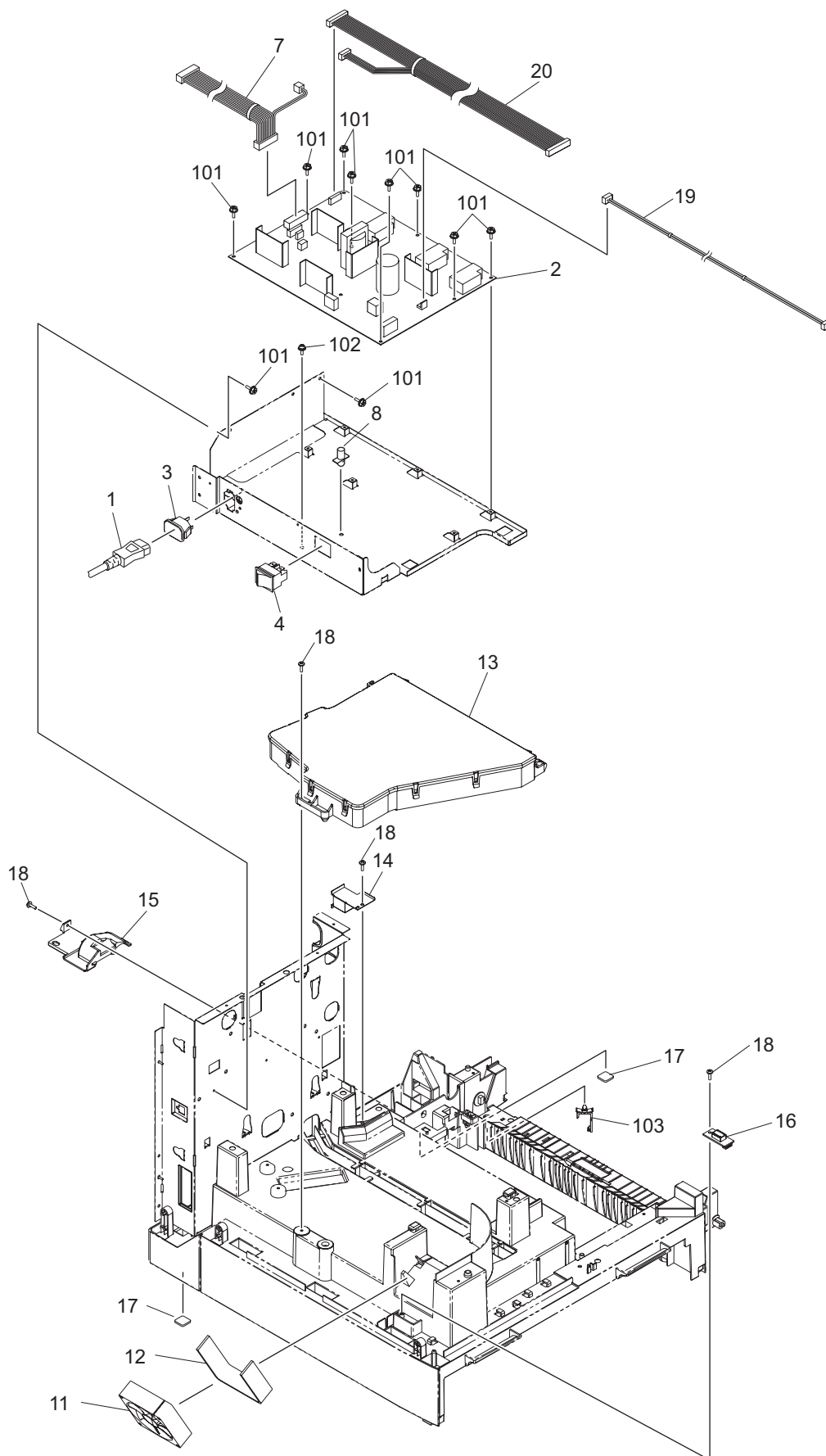
ITEM No.	PART No.	PART NAME	Q'TY / PAGE	Q'TY / PACK	REMARKS
1	6LE55205000	ASYS-COV-REAR	1	1/PP	
2	6LE54674100	COVER-SCAN-FRT-H DV	1	1/P	
3	6LH91600100	COV-TOP-SCAN-DV	1	1/KP	
5	6LE55290000	LID-COV-REAR_DF	1	1/P	
6	6LE55291000	LID-COV-REAR_PRT	1	1/P	
7	6LH22722000	ASYB-BOOK-HOLDER-CJ2	1	1/PP	
8	6LE55294000	LID-COV-REAR-PFU	1	1/P	
10 A	6LA47529000	LBL-LASER	1	1/KP	NAD,SAD,ASD,AUD,MJD,ARD,BMJ
10 B	6LA56226000	LBL-LASER-C	1	5/KP	CND
10 D	6LA48505000	LBL-LASER-TWD	1	5/KP	TWD
101	X0-02593000	S/TPD3/FHEXM-3X8-ZU3	13	10/P	
102	X0-02589000	S/TPD3/FHEXM-4X8-ZU3	2	10/P	



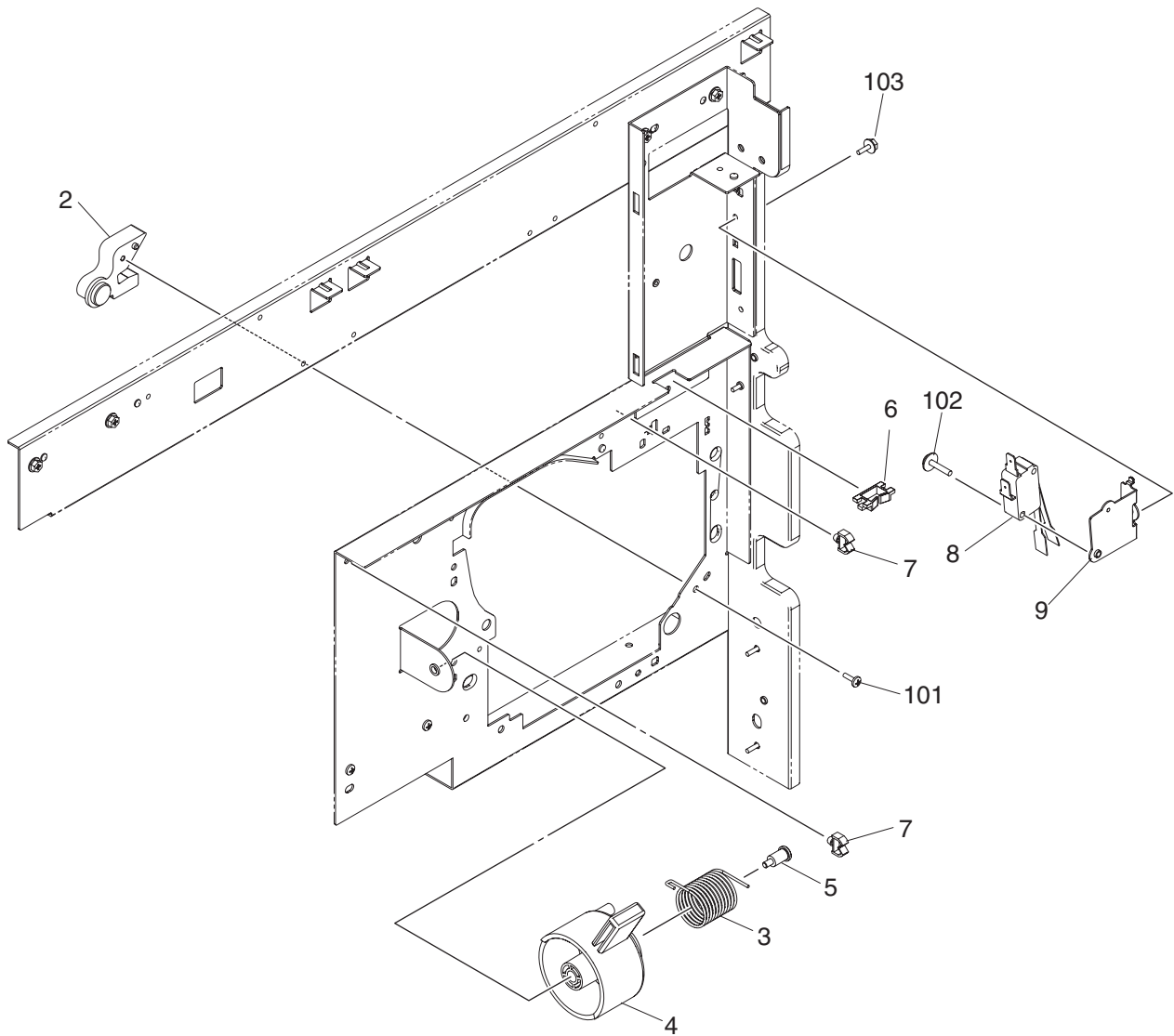
ITEM No.	PART No.	PART NAME	Q'TY / PAGE	Q'TY / PACK	REMARKS
1	6LE56901100	CASE-ADU-JE DV	1	1/PP	
2	6LE57000000	PUSHER-CASE-ADU-SW	1	1/P	
3	6LE56910100	LVR-OPEN-COV-SID DV	1	1/P	
4	6LE56960100	COVER-EXIT-CJ DV	1	1/P	
5	4407972860	STOP-RING-6-5	1	5/P	
6	6LE56921000	SPG-COVER-EXIT	2	1/P	
7	6LE57011000	STOPPER-STRING-F-282	1	1/P	
8	6LE56990000	STOPPER-STRING-R-280	1	1/P	
9	6LE56950000	PUSHER-COV-SIDE	2	1/P	
10 A	6LA75470000	LBL-HOT-COV	1	1/KP	NAD,CND,SAD,ASD,AUD,MJD,ARD,BMJ
10 C	6LA75503000	LBL-HOT-COV-TWD	1	1/KP	TWD
11	6LE57020000	LBL-O-PLACE-COV-280	1	1/KP	
12	6LA82504000	LBL- W-HOT-EXIT371	1	5/KP	
101	X0-02095000	S/TPP/BRZ-3X10-NI	3	10/P	
102	X0-02426000	S/TPS/FPAN-3X25-ZU3	1	10/P	



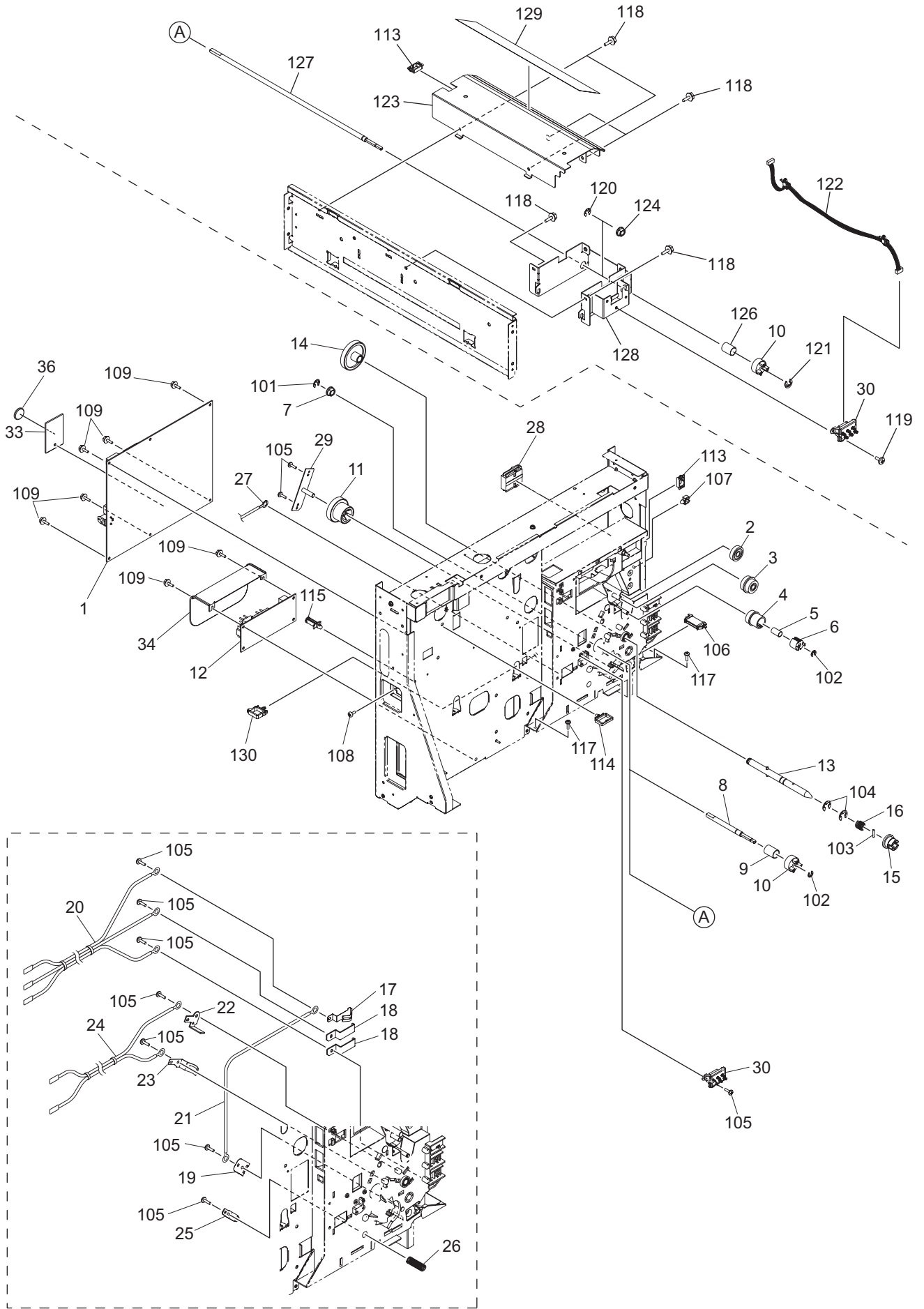
ITEM No.	PART No.	PART NAME	Q'TY / PAGE	Q'TY / PACK	REMARKS
1 A	6LH22436700	ASYB-CONPANE-H-U N DV	1	1/PP	NAD
1 B	6LE54658600	ASYB-CONPANE-H-E DV	1	1/PP	MJD,BMJ
1 C	6LH22436800	ASYB-CONPANE-H-C N DV	1	1/PP	CND
1 D	6LH22436900	ASYB-CONPANE-H-T N DV	1	1/PP	TWD
2	6LH88234000	ASYS-KEY-START-LH	1	1/C	
3	6LH22450000	KEY-CL-STOP-LH-H	1	1/C	
4	6LE54639000	KEY-FC-LH-E	1	1/C	
5	6LE54640000	HOLDER-LED-LH	1	1/P	
6	6LH22445000	KEY-COPY-H	1	1/C	
7	6LE54668000	KEY-COPY-H-SUB	4	1/P	
8	6LH22451000	KEY-TEN-LH-H	1	1/C	
9	6LE54712000	KEY-DEN-LH	1	1/C	
10	6LE54651000	HOLDER-LED-TEL-H	1	1/P	
11 A	6LE54714000	KEY-SELECT-H	1	1/C	CND,SAD,ASD,AUD,MJD,TWD,ARD,BMJ
11 B	6LE54714100	KEY-SELECT-HU	1	1/D	NAD
12	6LE54644000	KEY-LH	1	1/C	
13	6LE54646000	KEY-COPY-LH	1	1/C	
14	6LE54715000	KEY-ENTER-H	1	1/D	
15	6LH22444000	KEY-ES-H	1	1/C	
16	6LE54652000	KEY-COPY-SETTINGS-H	1	1/C	
17	6LE54666000	HOLDER-LED-PAPER-H	1	1/P	
18	6LE54667000	COVER-DIAL-H	1	1/P	
19	6LH29350000	DSP-LCD7086-284	1	1/C	
20	6LH27008000	PWA-F-HPNL-286	1	1/SB	
21	6LE54681000	ASYS-BRKT-CONPANE-H	1	1/P	
22	6LE54661000	BRKT-CONPANE-H-R	1	1/P	
23	6LE54672100	COVER-CONPANE-H-L DV	1	1/PP	
24	6LE63325000	HRNS-LCD-282	1	1/P	
26 A	6LE54700000	SHIELD-CONPANE-H	1	1/KP	NAD,CND,SAD,ASD,AUD,MJD,ARD,BMJ
26 B	6LH88201000	SHIELD-CONP-H-MAIN-TWD	1	1/KP	TWD
27 E	6LE54716000	SHIELD-CONPANE-H-TW	1	1/P	TWD
100	X0-02117000	S/TPB/BID-2X6-ZU3	11	10/P	
101	6LA80090000	S/TPP/BID-3*8-NI	6	5/P	
103	X0-02593000	S/TPD3/FHEXM-3X8-ZU3	2	10/P	



ITEM No.	PART No.	PART NAME	Q'TY / PAGE	Q'TY / PACK	REMARKS
1 A	6LJ49716000	CABLE-P-INLET-US-15A	1	1/P	NAD,SAD
1 B	6LE95822000	CABLE-P-INLET-EUR	1	1/P	MJD,BMJ
1 C	6LH40421000	CABLE-P-INLET-UK	1	1/P	ASD
1 D	6LE95823000	CABLE-P-INLET-AU	1	1/P	AUD
1 E	6LE95826000	CABLE-P-INLET-TWD	1	1/P	TWD
1 F	6LH23012000	CABLE-P-INLET-CCC-L	1	1/P	CND
2 A	6LH93204000	PS-ACC-152J	1	1/C	NAD,SAD,TWD
2 B	6LH93205000	PS-ACC-152E	1	1/C	CND,ASD,AUD,MJD,ARD,BMJ
3	E0-12842000	AC-P10CF34	1	1/P	
4	E0-08497000	AJ8W200WWF	1	1/D	
7	6LE63354000	HRNS-LVPS-282	1	1/P	
8	F0-00332000	SPSN-6U	1	5/P	
11	6LA34342000	FAN-D-8025-350NH	1	1/D	
12	6LE57843000	SEAL-FAN-280	1	1/KP	
13	6LJ48403000	LASER-UNIT-H220	1	1/S	
14	6LE57845000	GUIDE-HRNS-DHTR	1	1/P	
15	6LJ48222000	LID-BTM-BASE-G	1	1/D	
16	D0-32012000	CHS-CGC5-28	1	1/P	
17	6LE57841000	FOOT-FRM-BASE	2	5/P	
18	X0-02095000	S/TPP/BRZ-3X10-NI	3	10/P	
19	6LE63319000	HRNS-FUS-280	1	1/P	
20	6LE63379000	HRNS-HVPS-SIG-280	1	1/P	
101	X0-02593000	S/TPD3/FHEXM-3X8-ZU3	10	10/P	
102	X0-00169000	S/PAN/SWWP-M4X8-BSNI	1	10/P	
103	F0-00367000	RLWS-1TV0	1	10/P	

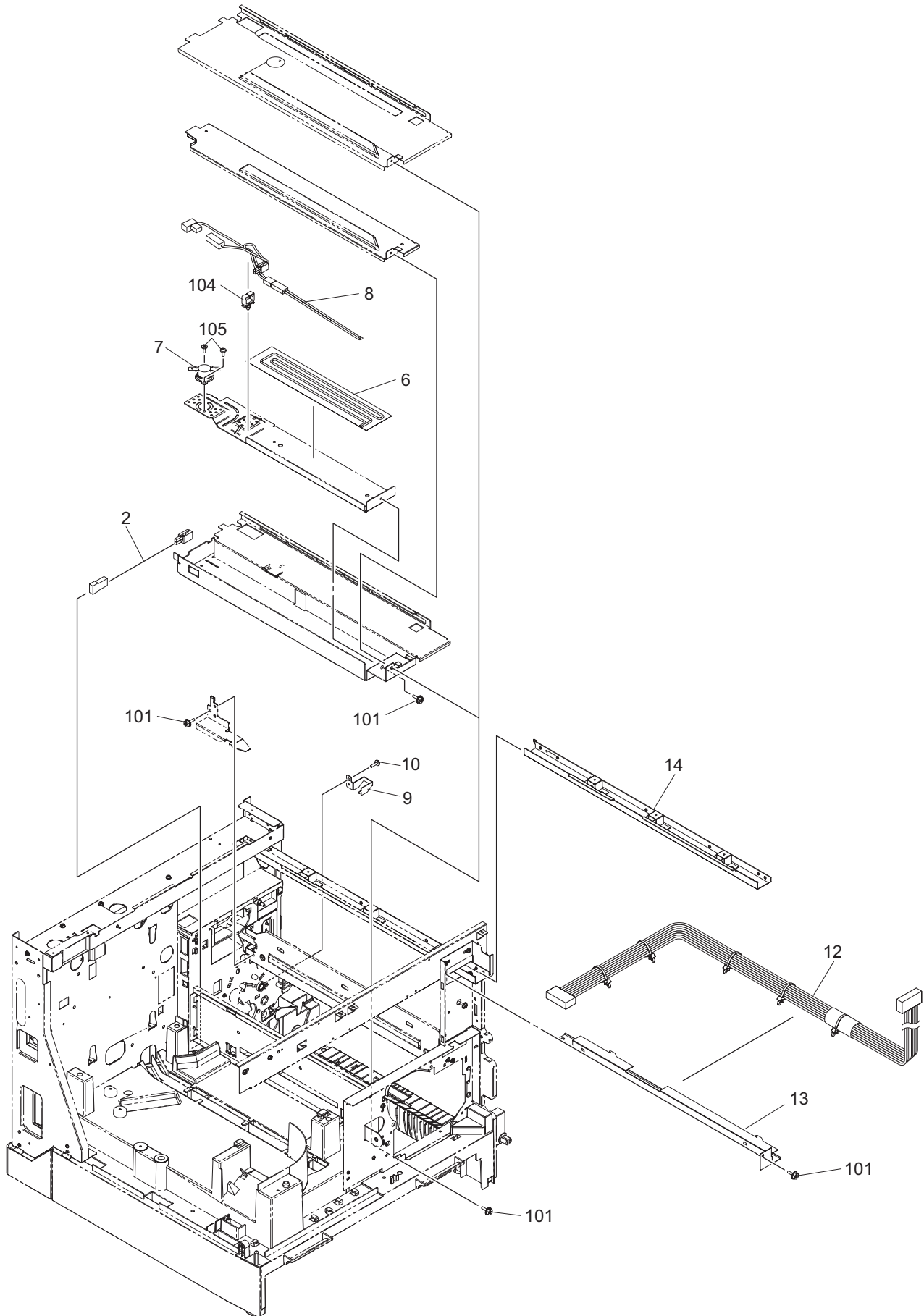


ITEM No.	PART No.	PART NAME	Q'TY / PAGE	Q'TY / PACK	REMARKS
2	6LE57207000	BUSH-RGST-F	1	1/P	
3	6LA88014000	SPG-LEVER-TNR-C	1	1/P	
4	6LA88010000	LEVER-TNR-C	1	1/P	
5	44200855000	STUD-DRSW-TR	1	1/P	
6	F0-01248000	ESC-0912	1	10/P	
7	F0-00043000	UAMS-05SN-W	2	5/P	
8	6LH27405000	SW-ITLOCKV	1	1/C	
9	6LE57911000	BRKT-SW-INT	1	1/P	
101	6LA80090000	S/TPP/BID-3*8-NI	1	5/P	
102	X0-01615000	S/TPS/FPAN-3X14-NC	1	10/P	
103	X0-02593000	S/TPD3/FHEXM-3X8-ZU3	1	10/P	

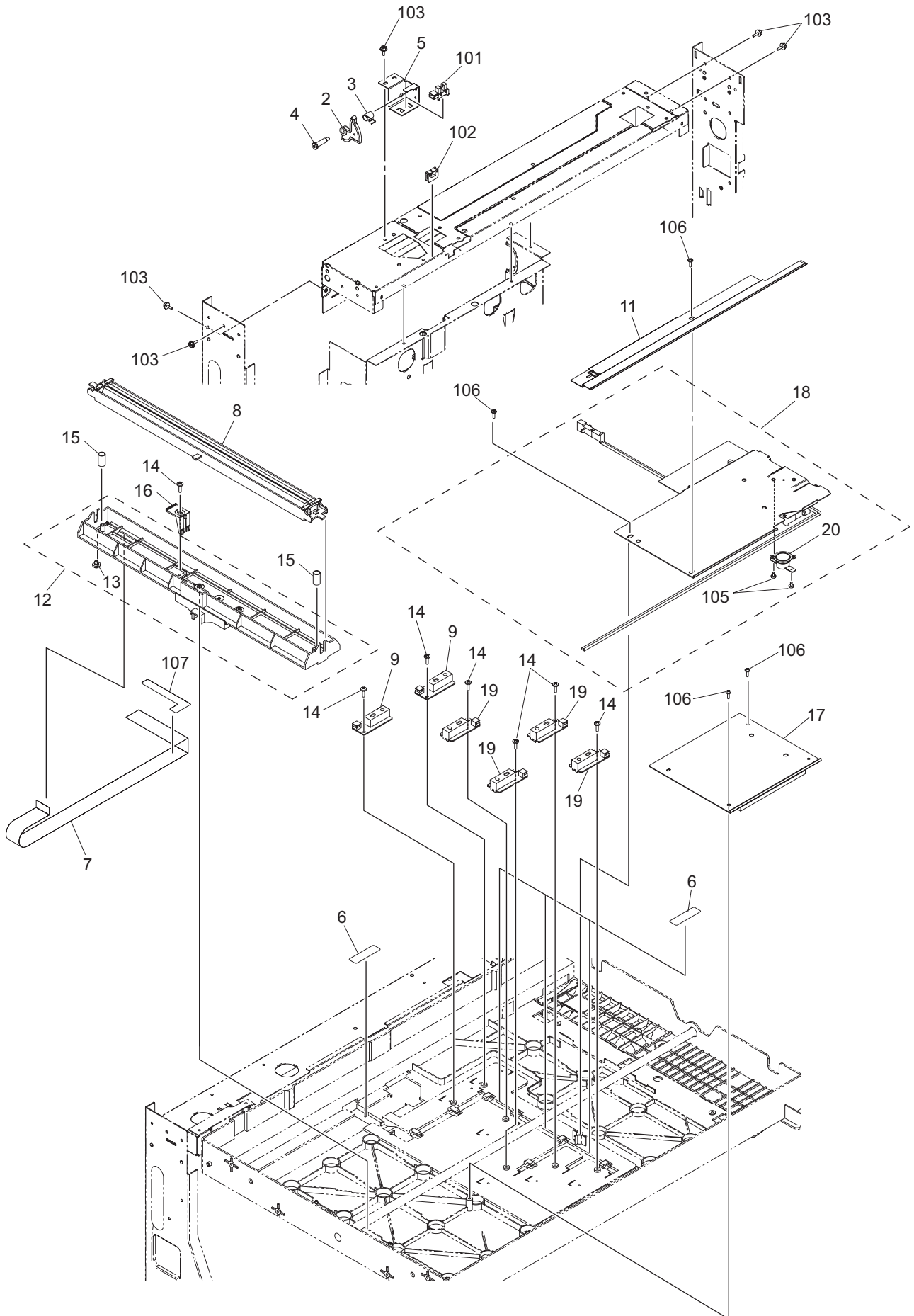


ITEM No.	PART No.	PART NAME	Q'TY / PAGE	Q'TY / PACK	REMARKS
1 A	6LJ49814000	ASY-PWA-MAIN-222S	1	1/SB	e-STUDIO195
1 B	6LJ49814100	ASY-PWA-MAIN-223S	1	1/SB	e-STUDIO225
1 C	6LJ49814200	ASY-PWA-MAIN-224S	1	1/SB	e-STUDIO245
2	6LE56647000	GEAR-10S19-6	1	1/P	
3	6LE56631000	GEAR-10S17_10S19-6	1	1/P	
4	6LE56622000	GEAR-10S17-5-CPG	1	1/P	
5	6LE56612000	SPG-DRV-CL-280	1	1/P	
6	6LE56609000	CPG-DRV-CLN-280	1	1/P	
7	44201492000	BUSH-6-POM	1	5/P	
8 A	6LE56660000	SHAFT-DRV-TNR-280	1	1/P	NAD,SAD,ASD,AUD,MJD,TWD,ARD,BMJ
9 A	6LE56611000	SPG-DRV-TN-280	1	1/P	NAD,SAD,ASD,AUD,MJD,TWD,ARD,BMJ
10 A	6LE56666000	CPG-TC-280	1	1/P	CND
10 B	6LH57004400	CPG-TC-470-C	1	1/P	TWD
10 C	6LH57004100	CPG-TC-470-D	1	1/P	NAD
10 D	6LH57004300	CPG-TC-470-E	1	1/P	SAD,ASD,AUD
10 E	6LH57004200	CPG-TC-470-U	1	1/P	MJD,BMJ
10 F	6LH57004000	CPG-TC-470-J	1	1/P	ARD
11	6LE56643000	GEAR-10S26_10S37-6	1	1/P	
12 B	6LA88759000	PWA-F-FUS-371	1	1/C	SAD,ASD,AUD,TWD,ARD
13	6LE56662000	ASYS-SHAFT-DRUM-280	1	1/P	
14	6LE56648000	GEAR-10H36R-8	1	1/P	
15	41314022000	CPG-DRUM-AW5	1	1/P	
16	6LA79504000	SPG-C-173	1	5/P	
17	6LE62434000	SPL-GUIDE-TR	1	1/C	
18	6LE62430000	PLATE-TRU	2	1/P	
19	6LE56606000	SPL-BIAS-RGST	1	1/C	
20	6LE63315000	HRNS-HVPS1-280	1	1/P	
21	6LE63318000	HRNS-HVT-GB-280	1	1/P	
22	6LA85009000	SPL-CH-M	1	1/P	
23	6LE86050000	SPL-GRID	1	1/P	
24	6LE63316000	HRNS-HVPS2-280	1	1/P	
25	6LA82004000	PLT-TERM-DEV	1	1/P	
26	6LA82006000	SPC-TERM	1	5/P	
27	6LE63317000	HRNS-HVPS3-280	1	1/P	
28	6LE63313000	HRNS-ACIN1-280	1	1/P	
29	6LE56635000	ASYS-PLATE-DRIVE-DEV	1	1/P	
30	6LE58079000	ASY-HOLD-SP-TNR	1	1/C	
33	6LH27013200	PWA-F-SRAM-286	1	1/C	
34 B	6LE55664000	COVER-PWA-FUS-280	1	1/P	SAD,ASD,AUD,TWD,ARD
36	6LE90510000	LI-BAT-CR-2450	1	1/S	
101	X0-00966000	RR/E-5-SS	1	10/P	
102	X0-00964000	RR/E-3-SS	2	10/P	
103	X0-00980000	P/PRL/AH7-2X10-SS	1	10/P	
104	X0-00968000	RR/E-7-SS	2	10/P	
105	6LA80090000	S/TPP/BID-3*8-NI	10	5/P	
106	E0-09932000	BU14P-TZ-S (LF)(SN)	1	5/P	
107	F0-00042000	UAMS-05S-2	1	5/P	
108	X0-00057000	S/PAN-M3X6-NI	1	10/P	
109 A	X0-02593000	S/TPD3/FHEXM-3X8-ZU3	7	10/P	NAD,SAD,ASD,AUD,MJD,TWD,ARD,BMJ
109 B	X0-02593000	S/TPD3/FHEXM-3X8-ZU3	11	10/P	CND
113 A	F0-01248000	ESC-0912	1	10/P	NAD,SAD,ASD,AUD,MJD,TWD,ARD,BMJ
113 B	F0-01248000	ESC-0912	2	10/P	CND
114	F0-01252000	WS-4W	1	5/P	
115	F0-01553000	CBT-10S0	1	5/P	
117	X0-02095000	S/TPP/BRZ-3X10-NI	2	10/P	
118 A	X0-02420000	S/TPS/FHEXM/R-3X8-ZU3	6	10/P	CND
119 A	X0-00430000	S/BID-M3X6-NI	1	10/P	CND
120 A	X0-00966000	RR/E-5-SS	1	10/P	CND
121 A	X0-00964000	RR/E-3-SS	1	10/P	CND
122 A	6LJ49701000	HRNS-CTIF-H220	1	1/P	CND
123 A	6LJ49110000	BRKT-COV-TNR-SHT	1	1/D	CND
124 A	44201492000	BUSH-6-POM	1	5/P	CND
126 A	6LE56611000	SPG-DRV-TN-280	1	1/P	CND

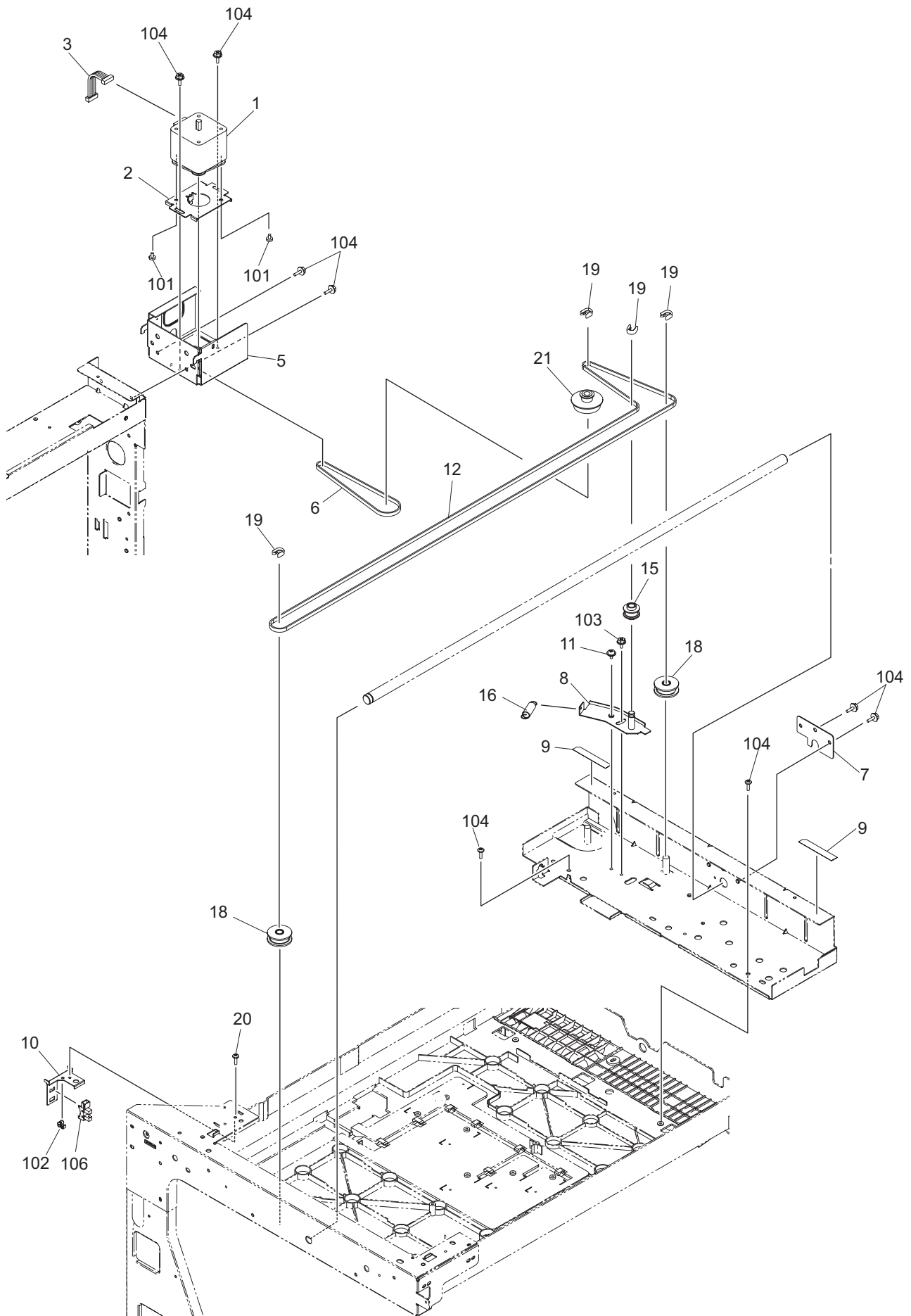
ITEM No.	PART No.	PART NAME	Q'TY / PAGE	Q'TY / PACK	REMARKS
127 A	6LJ49114000	SFT-DRV-TNR-SHT	1	1/P	CND
128 A	6LJ49111000	ASYS-BRKT-TNR-SHT	1	1/P	CND
129 A	6LJ49115000	MYLAR-BRKT-TNR	1	1/P	CND
130	F0-01452000	RLWC-5SV0	1	5/P	



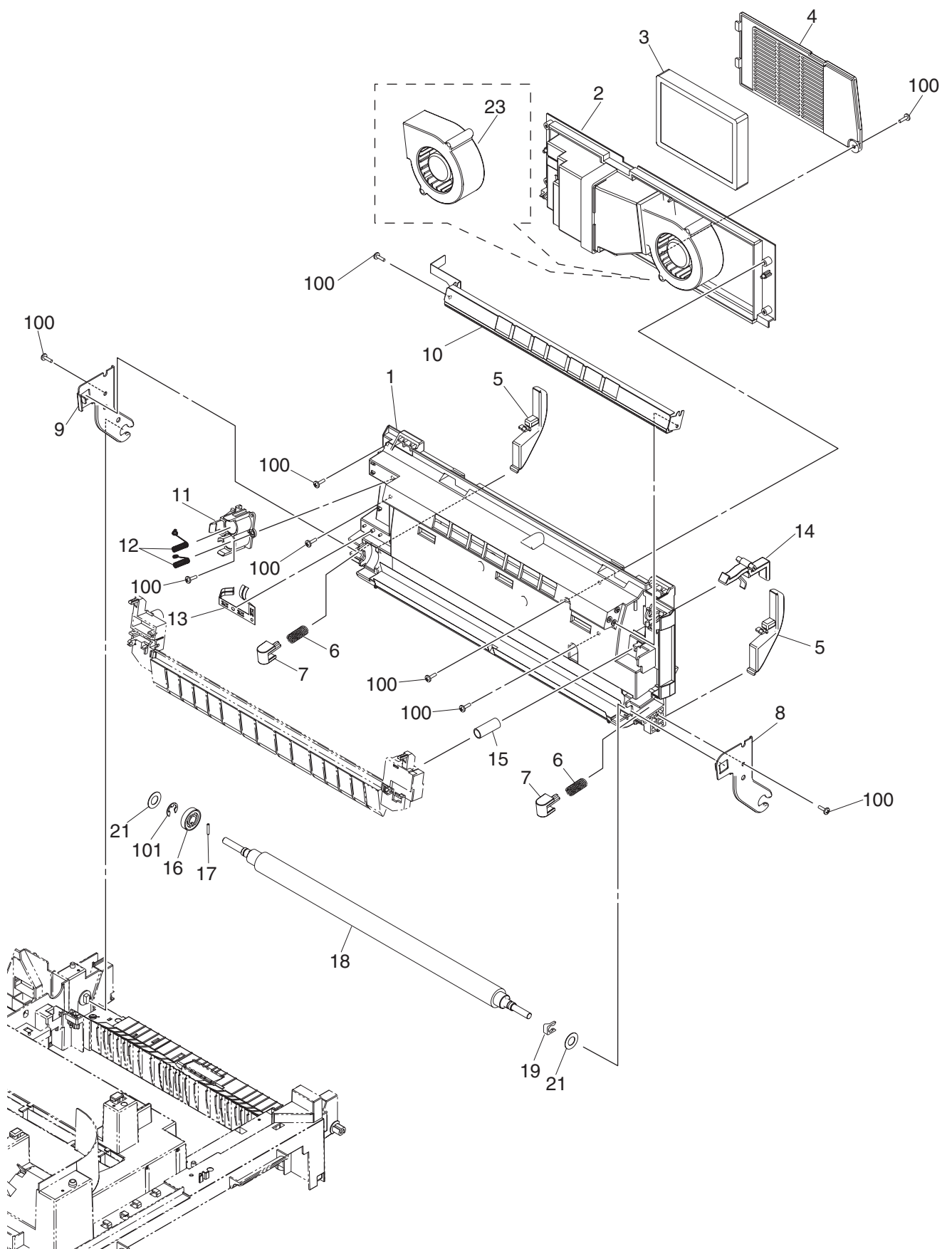
ITEM No.	PART No.	PART NAME	Q'TY / PAGE	Q'TY / PACK	REMARKS
2	6LE63406000	HRNS-D/H-280	1	1/P	ASD,AUD,ARD SAD,TWD
6 A	6LE64030000	HEATER-D-DRM-280E	1	1/C	
6 B	6LE64029000	HEATER-D-DRM-280U	1	1/C	
7	6LE09486000	THRMST-CS-7L	1	1/D	
8	6LE63375000	HRNS-D/H-DRM-280	1	1/P	
9	6LE62432000	BRKT-EARTH-TRU	1	1/P	NAD,CND,SAD,ASD,AUD,MJD,ARD,BMJ TWD
10	X0-02095000	S/TPP/BRZ-3X10-NI	1	10/P	
12 A	6LJ49718000	HRNS-HPNL-H222	1	1/P	
12 B	6LH93511000	HRNS-HPNL-152TW	1	1/P	
13	6LE58010000	COVER-HRNS-OPE	1	1/P	
14	6LE57864000	ASYS-BEAM-R	1	1/P	NAD,CND,MJD SAD,ASD,AUD,TWD,ARD,BMJ
101 A	X0-02593000	S/TPD3/FHEXM-3X8-ZU3	3	10/P	
101 B	X0-02593000	S/TPD3/FHEXM-3X8-ZU3	4	10/P	
104	F0-00024000	LWS-1U	1	5/P	
105	6LA08935000	SCR-M3X6BISR-NI	2	10/P	



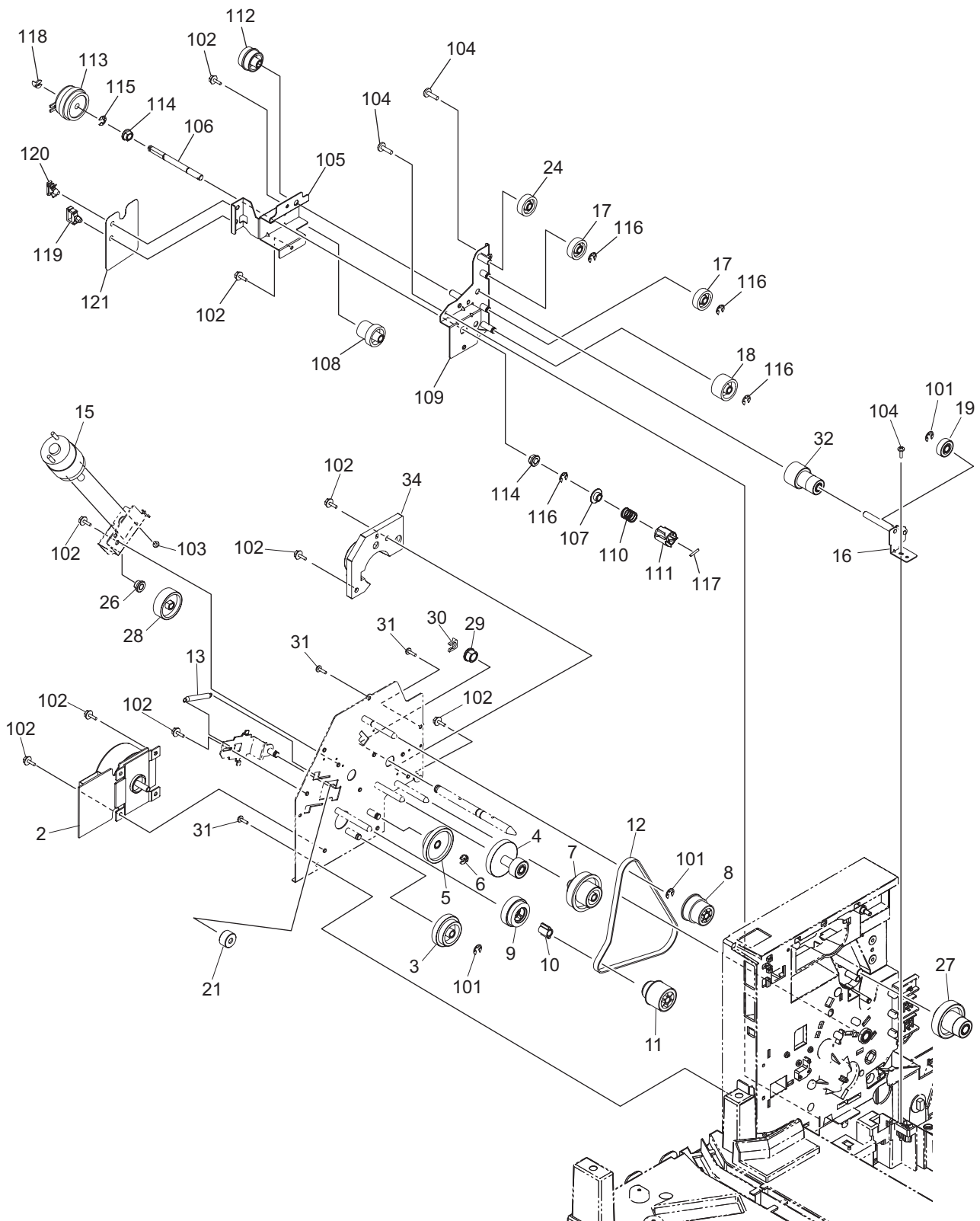
ITEM No.	PART No.	PART NAME	Q'TY / PAGE	Q'TY / PACK	REMARKS
2	6LE60780000	LVR-OPEN-SNS-280	1	1/P	
3	44202846000	SPR-OPEN-SNS	1	1/P	
4	6LA67393000	SHAFT-OPN-SNS	1	1/P	
5	6LH24131000	BRKT-SW-PLATEN	1	1/P	
6	6LH25800000	MYLAR-HRNS-INV-LEX	4	1/KP	
7	6LJ49700000	HRNS-SCN-CISM-H220	1	1/P	
8	6LJ49014000	ASY-CIS-CJ4	1	1/C	
9 A	6LE64034000	SNSR-PS-181EL1-S42R	1	1/C	NAD,CND,SAD,ASD,AUD,TWD,ARD
11	6LE60858000	ASYS-COV-HNS-HTR	1	1/KP	
12	6LE60691000	ASY-CASE-CIS	1	1/PP	
13	4408604590	FOOT-CRG-3.64	1	5/P	
14 A	6LA80090000	S/TPP/BID-3X8-NI	5	5/P	NAD
14 B	6LA80090000	S/TPP/BID-3X8-NI	6	5/P	CND,SAD,ASD,AUD,TWD,ARD
15	6LE60703000	SPRING-CIS	2	1/P	
16	6LE60695000	STOP-BELT	1	1/P	
17 A	6LE60856100	ASY-D-HTR-L-U	1	1/C	SAD,TWD
17 B	6LE60856200	ASY-D-HTR-L-E	1	1/C	ASD,AUD,ARD
18 A	6LE60854100	ASY-D-HTR-R-U	1	1/PP	SAD,TWD
18 B	6LE60854200	ASY-D-HTR-R-E	1	1/PP	ASD,AUD,ARD
19 A	6LE63995000	SNSR-PS181EL1-S42	3	1/C	NAD
19 B	6LE63995000	SNSR-PS181EL1-S42	4	1/C	CND,SAD,ASD,AUD,TWD,ARD
20 A	6LE63996000	THRMST-CS-7SA-280	1	1/D	SAD,TWD
20 B	6LE64009000	THRMST-CS-7L-280	1	1/D	ASD,AUD,ARD
101	C0-11250000	LG248NL1	1	1/P	
102	F0-00120000	ES-0505	1	5/P	
103	X0-02593000	S/TPD3/FHEXM-3X8-ZU3	5	10/P	
105 A	6LA08935000	SCR-M3X6BISR-NI	2	10/P	SAD,ASD,AUD,TWD,ARD
106	X0-02095000	S/TPP/BRZ-3X10-NI	4	10/P	
107	6LJ49041000	MYLAR-HRNS-CIS	1	1/KP	



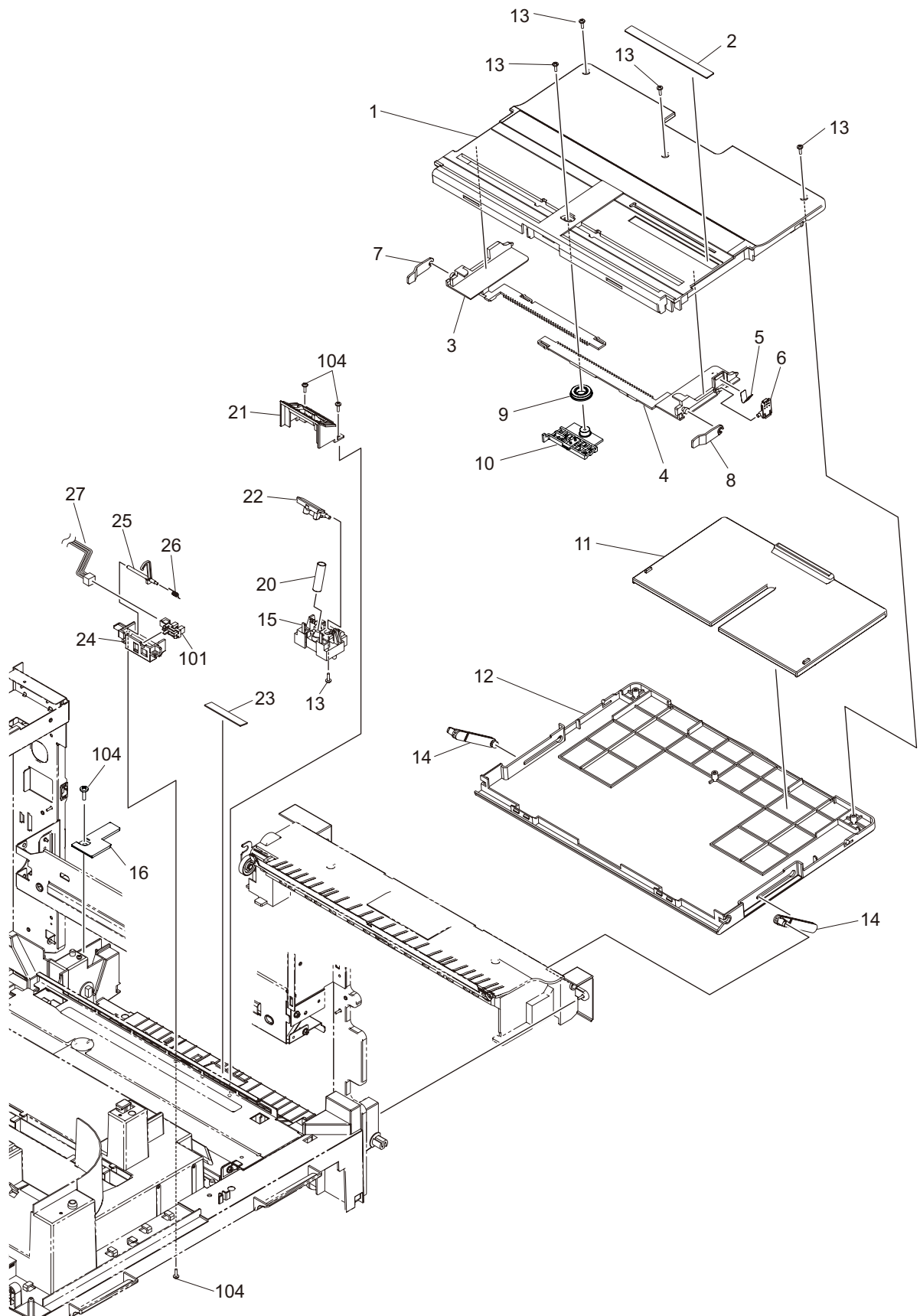
ITEM No.	PART No.	PART NAME	Q'TY / PAGE	Q'TY / PACK	REMARKS
1	6LE63997000	MOTR_S-SCN-280	1	1/C	
2	6LE60636000	PLT-MOT-SCAN	1	1/P	
3	6LE63385000	HRNS-SCN-MOT-280	1	1/P	
5	6LE60634000	BRKT-MOT-SCAN	1	1/P	
6	6LE60686000	BELT-E2M-276-4	1	1/P	
7	6LE60626000	PLT-SFT-HLDR	1	1/P	
8	6LJ49001000	ASYS-BELT-TENSION	1	1/P	
9	6LE60718000	MYLAR-GLASS	2	1/KP	
10	6LE60845000	BRKT-HP-SENSOR	1	1/P	
11	6LA08937000	SCREW-BKT-DEV	1	10/P	
12	6LE60682000	BELT-E2M-1290-4	1	1/P	
15	6LE60654000	PLY-TENSION-12	1	1/P	
16	6LE60678000	SPRING-TENSION	1	1/P	
18	6LE60662000	PULLEY-30STE2	2	1/P	
19	4407972860	STOP-RING-6-5	4	5/P	
20	X0-02095000	S/TPP/BRZ-3X10-NI	1	10/P	
21	6LE60670000	PULLEY-40_S16STE2	1	1/P	
101	X0-02113000	S/PAN-M3X4-NI	2	10/P	
102	F0-01046000	UAMS-02WL-0	1	5/P	
103	X0-02592000	S/TPD3/FHEXM-3X6-ZU3	1	10/P	
104	X0-02593000	S/TPD3/FHEXM-3X8-ZU3	8	10/P	
106	C0-11250000	LG248NL1	1	1/P	



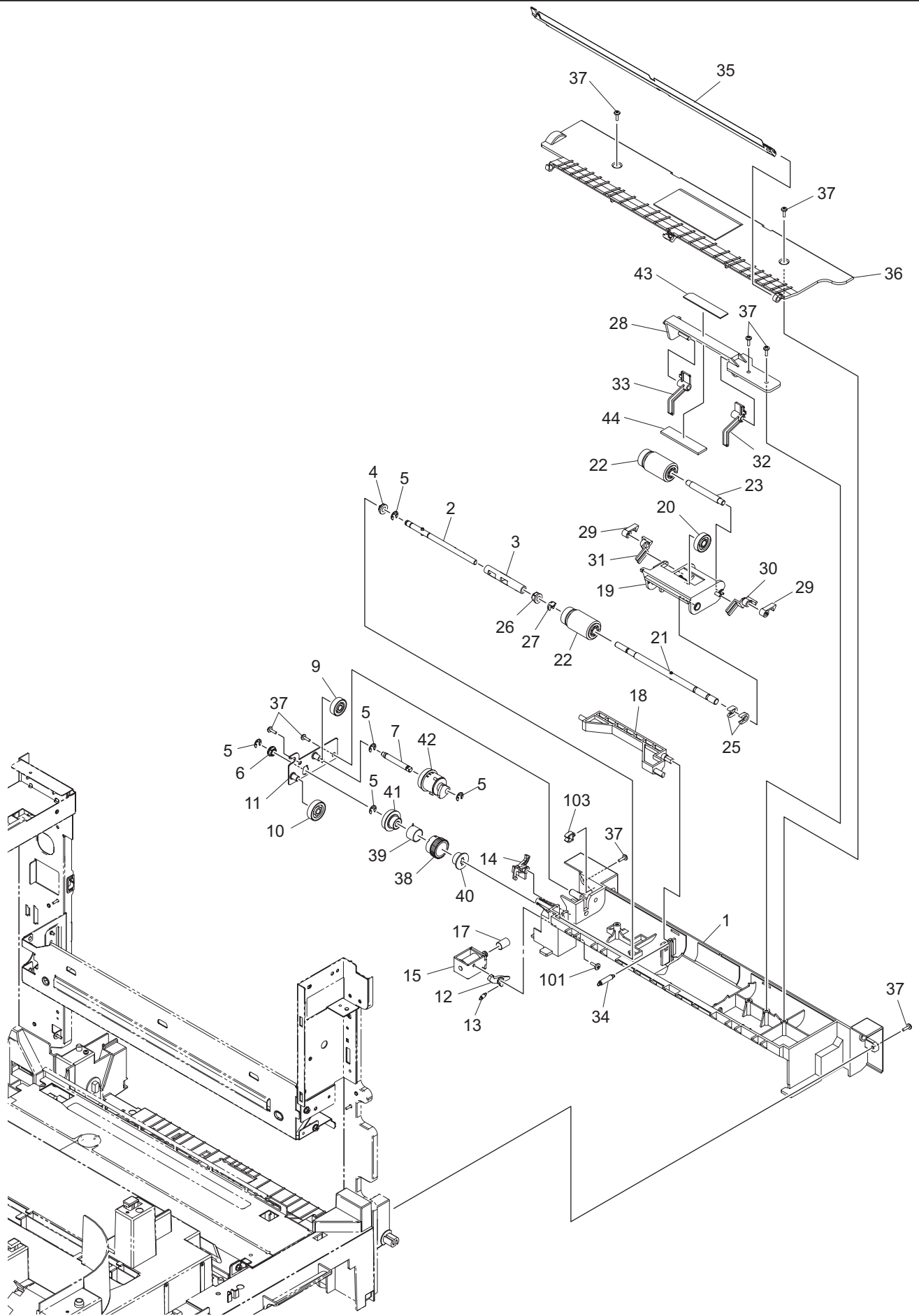
ITEM No.	PART No.	PART NAME	Q'TY / PAGE	Q'TY / PACK	REMARKS
1	6LE62307100	ASYS-CASE-SIDE-H	1	1/PP	
2	6LE62338000	ASYS-COV-SIDE-IN	1	1/P	
3	6LA88240000	FILTER-OZONE-TRU-371	1	1/C	
4	6LE62374000	ASYS-COV-FILTER	1	1/PP	
5	6LE62392000	GUIDE-PUSH-TRU	2	1/P	
6	6LE62403000	SPC-PUSH-RGST	2	1/P	
7	6LE62400000	PUSH-ROL-RGST	2	1/P	
8	6LE62311000	ARM-TRU-F	1	1/P	
9	6LE62387000	ARM-TRU-R	1	1/P	
10	6LE62348000	GUIDE-TR-280	1	1/C	
11	6LE62354000	TERM-CH-TR-280	1	1/P	
12	6LE62351000	SPC-CH-TR-R	2	1/P	
13	6LE62345000	EARTH-TRU	1	1/C	
14	6LE62410000	LEVER-SIDE-COV	1	1/P	
15	6LA88343000	SPC-CH-TR	1	1/P	
16	6LA85880000	GEAR-10S020-08	1	1/P	
17	X0-01526000	P/PRL/AH7-2X12-SS	1	10/P	
18	6LH23932000	ROLLER-RGST-280	1	1/KP	
19	41306265000	STOP RING	1	1/P	
21	6LE62470000	WSHR-85X185XR5-ABS	2	5/P	
23	6LH93201000	FAN_D07F-24SG25EX	1	1/D	
100	6LA80090000	S/TPP/BID-3*8-NI	9	5/P	
101	X0-00968000	RR/E-7-SS	1	10/P	



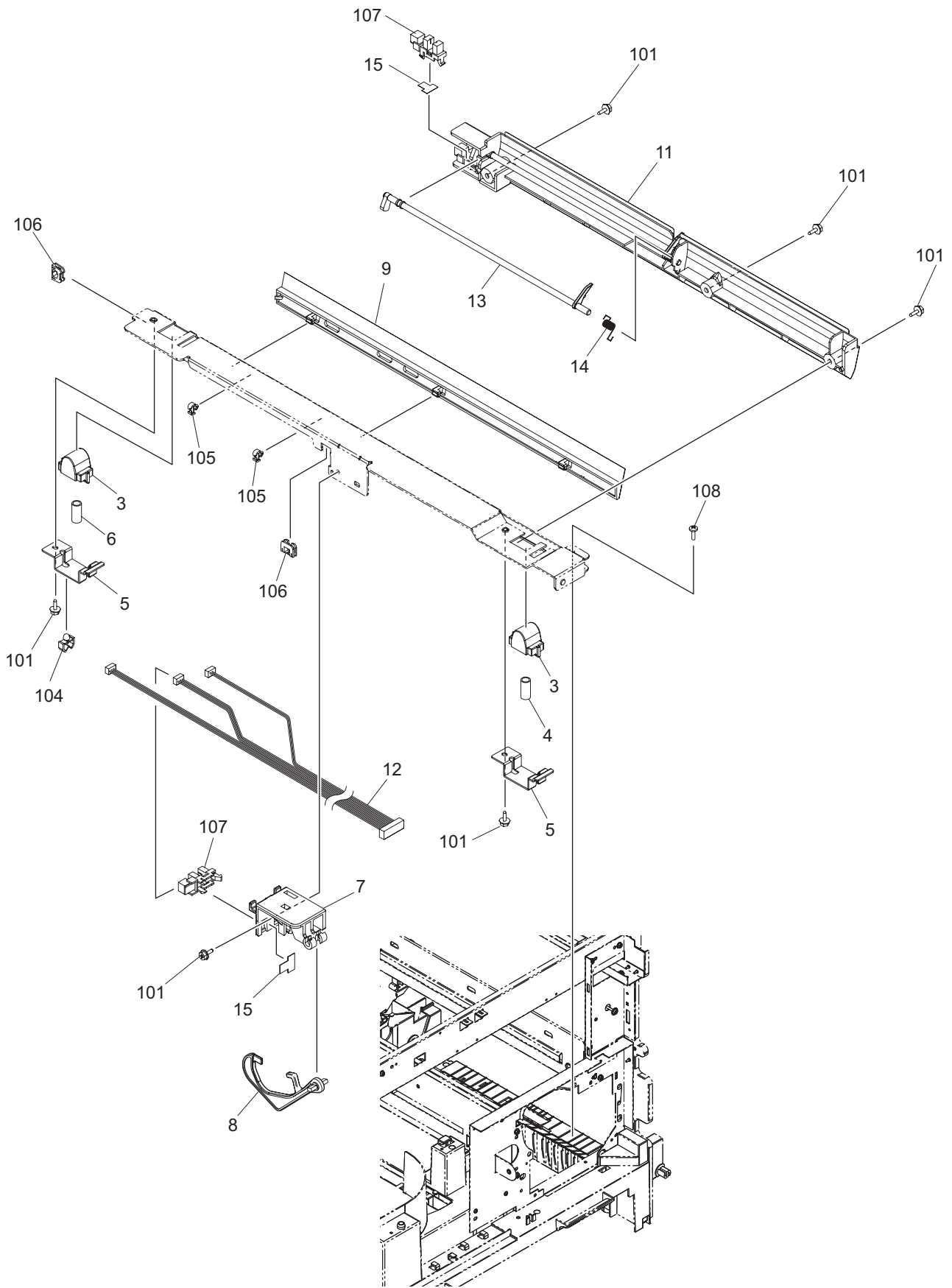
ITEM No.	PART No.	PART NAME	Q'TY / PAGE	Q'TY / PACK	REMARKS
2	6LH93200000	MOTR.D-MAIN-H150	1	1/C	
3	6LE56640000	GEAR-5H62L_10H25L-6	1	1/P	
4	6LE56642000	GEAR-10H37L_10H17L-6	1	1/P	
5	6LE56645000	GEAR-10H36R_10H21R-6	1	1/P	
6	4406520870	STOPPER-6-3	1	5/P	
7	6LE56641000	GEAR-10S23_P2STE62_10H21R	1	1/P	
8	6LE56644000	GEAR-10S21_P2STE43-6	1	1/P	
9	6LH23425000	ASYS-GEAR-5H56L-6-COUPPL-N	1	1/P	
10	6LE56653000	COUPPL-GR-P-JOINT-280	1	1/P	
11	6LH23426000	ASYS-GEAR-10S24_P2STE30-N	1	1/P	
12	6LH23465000	BLT.SY-ST2-400-4-B	1	1/P	
13	6LE56610000	SPG-TENS-ROL-280	1	1/P	
15	6LH53764000	ASYS-MOTRD-TNR-470	1	1/C	
16	6LH23431000	ASYS-BRKT-GEAR-284	1	1/P	
17	6LE56630000	GEAR-10H21R-6	2	1/P	
18	6LE56623000	GEAR-10H23L-6	1	1/P	
19	6LE56618000	GEAR-8S21-6	1	1/P	
21	6LA82311000	TENS-ROLLER	1	1/P	
24	6LE56620000	GEAR-10H21L-6	1	1/P	
26	44201492000	BUSH-6-POM	1	5/P	
27	6LE56646000	GEAR-10S37_10H17R_10S19-8	1	1/P	
28	6LE56633000	GEAR-5H60L-6-WORM-TNR	1	1/P	
29	6LH23442000	BUSH-8X12X8F-NU4	1	5/P	
30	41306265000	STOP RING	1	1/P	
31	6LA80090000	S/TPP/BID-3*8-NI	4	5/P	
32	6LE56613000	GEAR-10H21L_8S19-6	1	1/P	
34	6LE56634000	HLDR-SFT-RGST-DRV	1	1/P	
101	X0-00966000	RR/E-5-SS	6	10/P	
102	X0-02593000	S/TPD3/FHEXM-3X8-ZU3	9	10/P	
103	X0-01670000	S/PAN-M2.6X4-NC	2	10/P	
104	X0-02095000	S/TPP/BRZ-3X10-NI	2	10/P	
105	6LJ48214000	ASYS-BRKT-DRV-CLTCH-G	1	1/D	
106	6LJ48212000	SFT-CPL-CHA-G2	1	1/P	
107	6LJ48211000	BUSH-06-16-G	1	1/P	
108	6LJ48210000	GEAR-10H22L_8S22-6-G	1	1/P	
109	6LJ48217000	ASYS-BRKT-DRV-FEED-G	1	1/D	
110	6LJ48213000	SPG-CPL-CHA-G	1	1/P	
111	6LJ48208000	CPL-CSSTT-CHA-G	1	1/P	
112	6LJ48209000	GEAR-8S27-6-G	1	1/P	
114	4407734980	BUSH-6-GCB	2	5/P	
115	X0-00965000	RR/E-4-SS	1	10/P	
116	X0-00966000	RR/E-5-SS	4	10/P	
117	X0-01526000	P/PRL/AH7-2X12-SS	1	10/P	
118	6LE53442000	RR/E-5-POM	1	5/P	
119	F0-00235000	LWS-1S	1	5/P	
120	F0-00035000	LWS-05	1	5/P	
121	6LJ50682000	MYLAR-GUARD-HRNS	1	1/P	



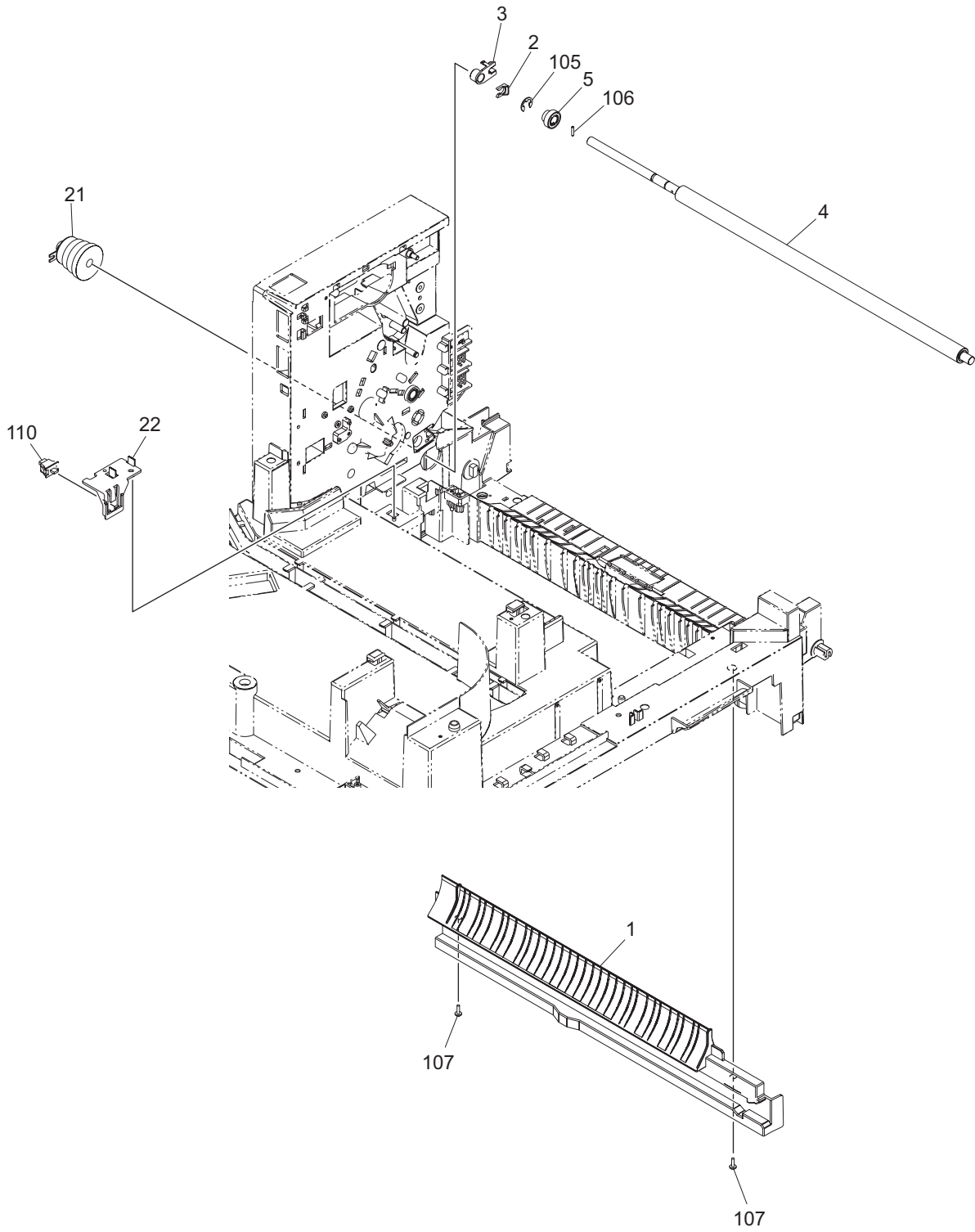
ITEM No.	PART No.	PART NAME	Q'TY / PAGE	Q'TY / PACK	REMARKS
1	6LH21852100	TRAY-BYP-TOP-284DV	1	1/PP	
2	6LA29009000	SHEET-PAD-GUIDE-F	1	1/KP	
3	6LE53419100	GUIDE-TRAY-BYP-R_DV	1	1/D	
4	6LE53418100	GUIDE-TRAY-BYP-L DV	1	1/D	
5	6LE53407000	SPG-GUIDE	1	1/P	
6	6LE53406100	LVR-GID DV	1	1/P	
7	6LE53411100	GUIDE-SUB-R DV	1	1/P	
8	6LE53409100	GUIDE-SUB-L DV	1	1/P	
9	6LE53504000	GEAR-10S18-6-BYP-TRAY	1	1/P	
10	6LE53505000	HOLDER-PINI-280	1	1/P	
11	6LH21850100	TRAY-BYP-SUB-284DV	1	1/PP	
12	6LH21851100	TRAY-BYP-BOT-284DV	1	1/PP	
13	6LA80090000	S/TPP/BID-3X8-NI	5	5/P	
14	6LE53449000	ARM-TRAY-SFB	2	1/P	
15	6LE53506000	PUSHER-PAPER-GUIDE	1	1/P	
16	6LE58021000	COVER-HRNS-BASE	1	1/P	
20	6LE53457000	SPG-PUSHER-GUIDE	1	1/P	
21	6LE53507100	COVER-PUSHER-G FW	1	1/P	
22	6LE53488000	ASYS-PAD-PUSHER-GUIDE	1	1/P	
23	6LE53454000	PAD-ADH-TAPE-S	1	1/P	
24	6LH23928000	TRAY-SNSR-FED-284	1	1/P	
25	6LE53482000	ACTR-SNSR-SFB	1	1/P	
26	6LE53485000	SPG-SNSR-SFB-90	1	1/P	
27	6LE63308000	HRNS-SFB-SNR-280	1	1/P	
101	C0-11250000	LG248NL1	1	1/P	
104	X0-02095000	S/TPP/BRZ-3X10-NI	4	10/P	



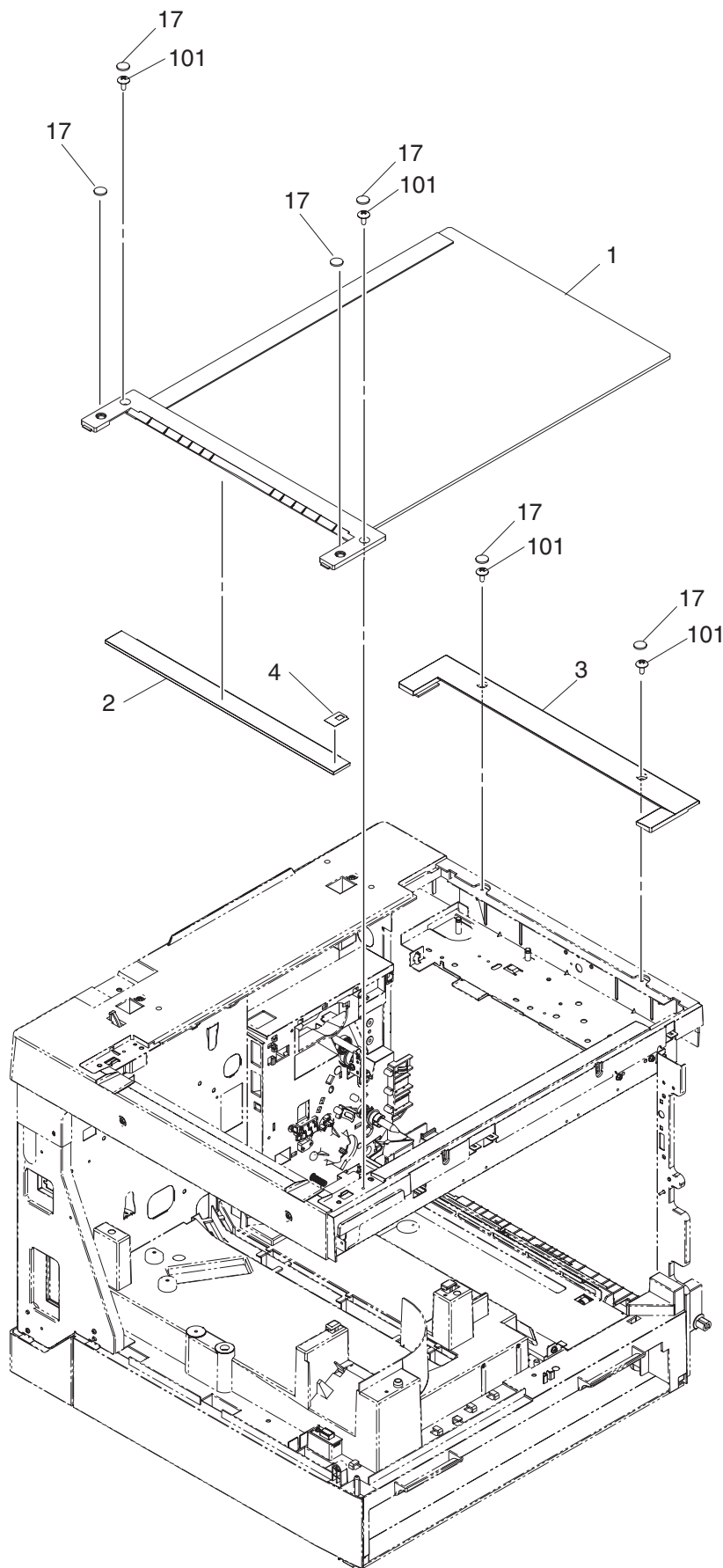
ITEM No.	PART No.	PART NAME	Q'TY / PAGE	Q'TY / PACK	REMARKS
1	6LE53404100	CASE-FRAME-SFB DV	1	1/PP	
2	6LH21840000	ASYS-SHAFT-RLR-FEED_D	1	1/P	
3	6LH21842000	COUPL-SHAFT-FEED_D	1	1/P	
4	6LE53441000	BUSH-5X8X4R2F-POM	1	5/P	
5	X0-00965000	RR/E-4-SS	5	10/P	
6	6LH23440000	BUSH-5X8X4R2F-GCB-NU4	1	5/P	
7	6LE53467000	STUD-CLUCH-PICK	1	1/P	
9	6LE53434000	GEAR-08S20-5	1	1/P	
10	6LE53435000	GEAR-08S23-5	1	1/P	
11	6LE53459000	ASYS-GEAR-GUIDE	1	1/P	
12	6LE53427000	PAWL-ARM-B	1	1/P	
13	6LE53469000	SPG-PAWL-RCHT	1	5/P	
14	6LE53429000	PAWL-ARM-A	1	1/P	
15	6LE56678000	SOL-06A-FED-280	1	1/D	
17	6LE53465000	SPG-SOL-FEED	1	5/P	
18	6LE53503000	ARM-CAM-LINK	1	1/P	
19	6LE53405000	ARM-PICK	1	1/P	
20	6LE53413000	GEAR-06S29-6	1	1/P	
21	6LE53494000	ASYS-SHAFT-A	1	1/P	
22	6LA79037000	ASYS-ROL-PICK-371	2	1/P	
23	6LE53417000	SHAFT-PICK	1	1/P	
25	4407972860	STOP-RING-6-5	2	5/P	
26	6LE53430000	BUSH-5X8X6R2F-POM	1	5/P	
27	6LE53442000	RR/E-5-POM	1	5/P	
28	6LE53408000	HLDR-STOP-BYP	1	1/P	
29	6LE53444000	ARM-STOP	2	1/P	
30	6LE53414000	LEVER-STOP-L	1	1/P	
31	6LE53416000	LEVER-STOP-R	1	1/P	
32	6LE53412000	STOPPER-L	1	1/P	
33	6LE53410000	STOPPER-R	1	1/P	
34	6LE53464000	SPG-RLR-PICK	1	1/P	
35	6LE53496000	ASYS-GUIDE-COVER	1	1/C	
36	6LJ46700100	COVER-FRAM-FEED-DV	1	1/PP	
37	X0-02095000	S/TPP/BRZ-3X10-NI	6	10/P	
38	6LE53433000	BOSS-CLUCH-FEED	1	1/P	
39	6LE53462000	SPG-CLUCH-FEED	1	1/P	
40	6LE53425000	CAP-CLUCH-FEED	1	1/P	
41	6LE53426000	GEAR-CLUCH-FEED	1	1/P	
42	6LE53487000	ASYB-CLUCH-PICK	1	1/C	
43	6LE53501000	CUSHION-COV-BYP-1T11	1	1/P	
44	6LE53502000	CUSHION-HLDR-BYP-2T11	1	1/P	
101	X0-00434000	S/BID-M3X8-NI	1	10/P	
103	F0-01048000	UAMS-05-0	1	5/P	



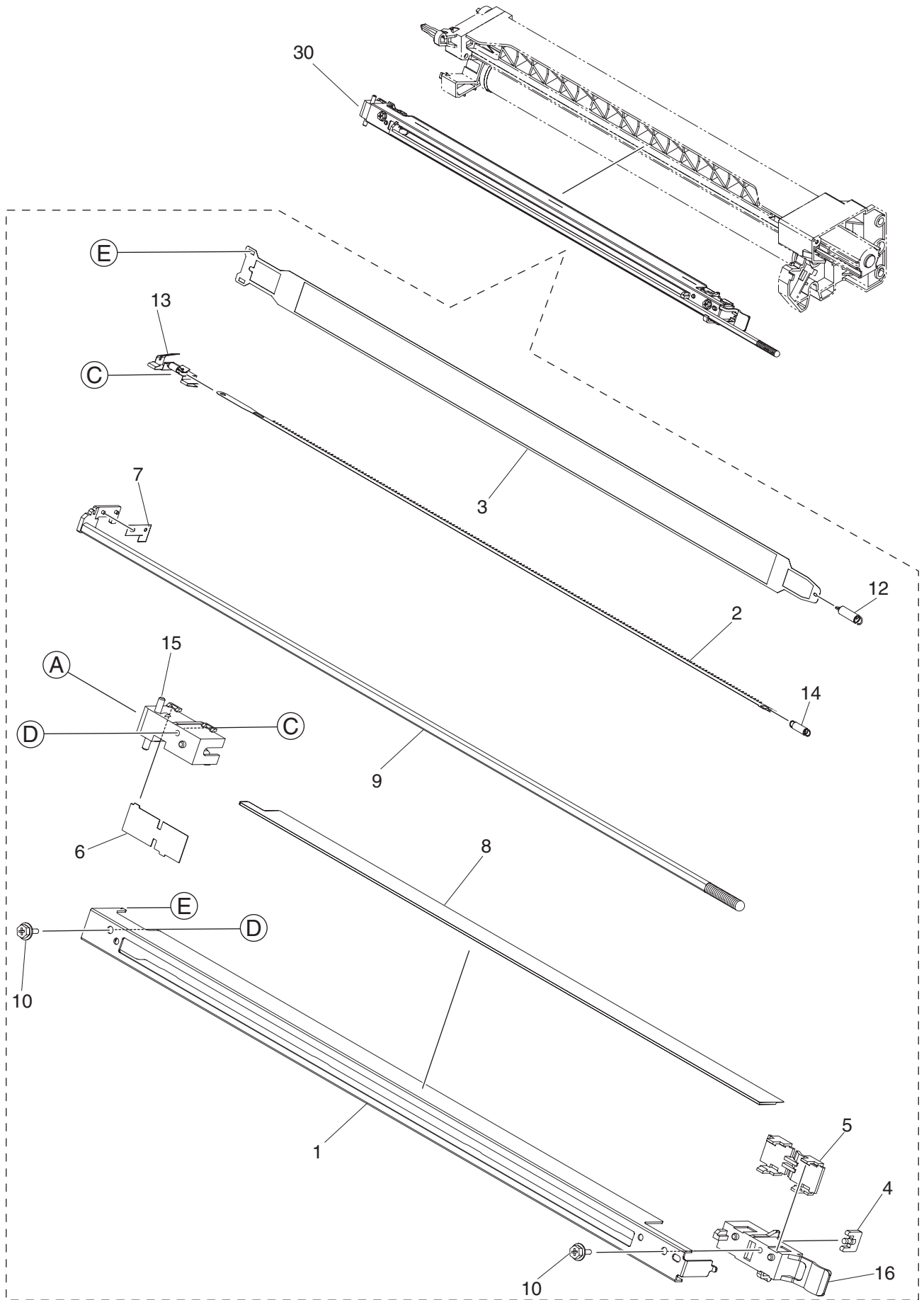
ITEM No.	PART No.	PART NAME	Q'TY / PAGE	Q'TY / PACK	REMARKS
3	6LJ48202000	PUSHER-DEV-G	2	1/P	
4	6LA82106000	SPC-PUSH-DEV-F	1	1/P	
5	6LJ48204000	BRKT-HOLD-SP-280-G	2	1/P	
6	6LA82107000	SPC-PUSH-DEV-R	1	1/P	
7	6LE53708000	BRKT-SNSR-280	1	1/P	
8	6LE53709000	ACTR-SNSR-280	1	1/P	
9	6LJ48205000	ASYS-GUIDE-RGST-L-G	1	1/P	
11	6LJ48221000	ASYS-GUIDE-MYLAR-RGST-G	1	1/P	
12	6LE63358000	HRNS-RGST-SW-280	1	1/P	
13	6LE57204000	ACTR-RGST-280	1	1/P	
14	6LE57220000	SPG-ACT-RGST	1	1/P	
15	6LA85910000	MYLAR-SUPPORT-SNS	2	5/P	
101	X0-02420000	S/TPS/FHEXM/R-3X8-ZU3	6	10/P	
104	F0-00043000	UAMS-05SN-W	1	5/P	
105	F0-01046000	UAMS-02WL-0	2	5/P	
106	F0-00120000	ES-0505	2	5/P	
107	C0-11250000	LG248NL1	2	1/P	
108	X0-02095000	S/TPP/BRZ-3X10-NI	1	10/P	



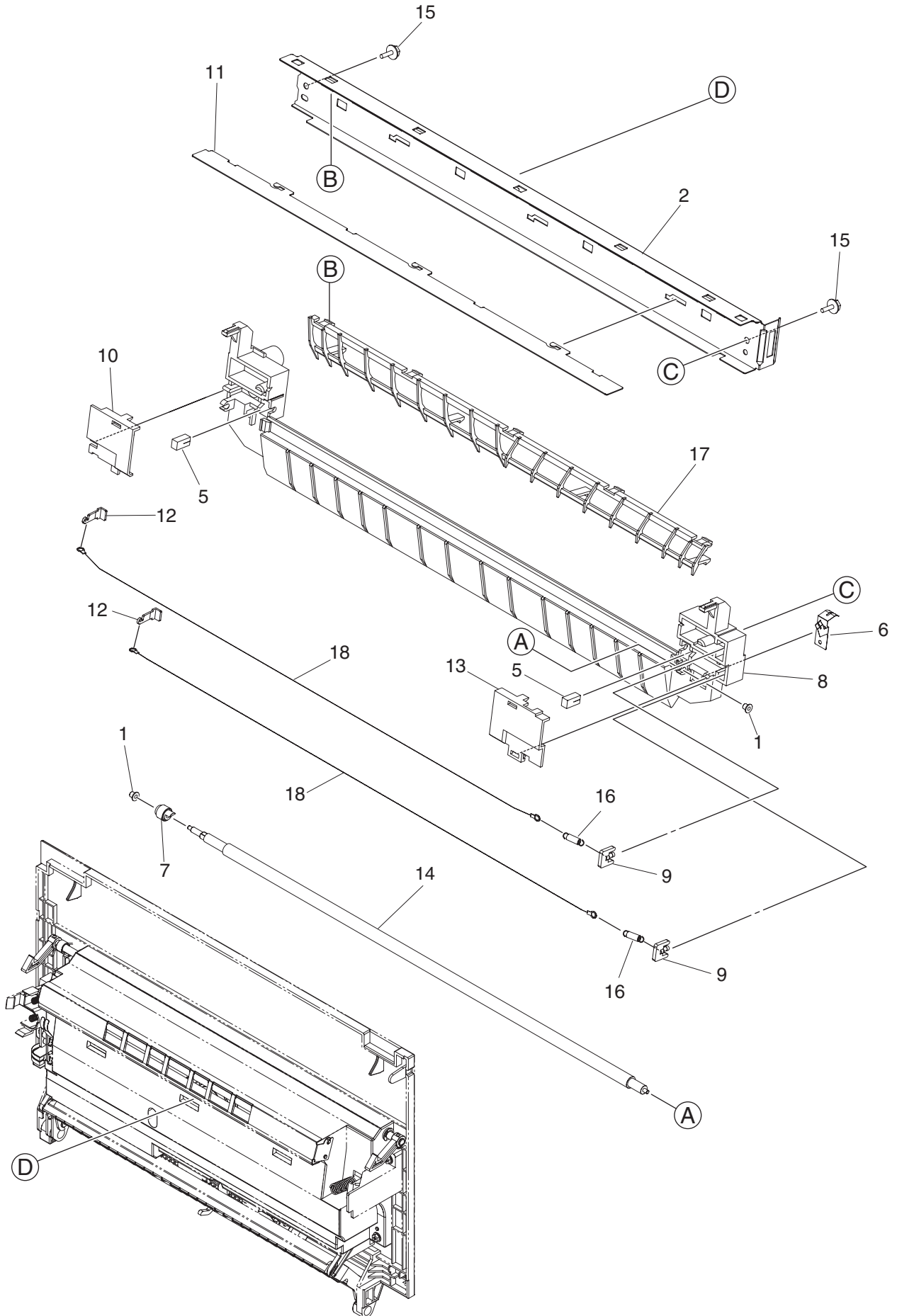
ITEM No.	PART No.	PART NAME	Q'TY / PAGE	Q'TY / PACK	REMARKS
1	6LJ48201000	GUIDE-LOW-G	1	1/PP	
2	41306265000	STOP RING	1	1/P	
3	6LE57224000	GUIDE-BUSH-RGST-R	1	1/P	
4	6LH23925000	ROLLER-RGST-DRV-284	1	1/KP	
5	6LE57208000	GEAR-10S015-08	1	1/P	
21	6LE57210000	CLUTCH-G33-08D-30A	1	1/D	
22	6LH22010000	HLDR-SNSR-CSSTT	1	1/P	
105	X0-00968000	RR/E-7-SS	1	10/P	
106	X0-00980000	P/PRL/AH7-2X10-SS	1	10/P	
107	X0-02095000	S/TPP/BRZ-3X10-NI	2	10/P	
110	E0-01853000	CS1A-B2CA	1	1/D	



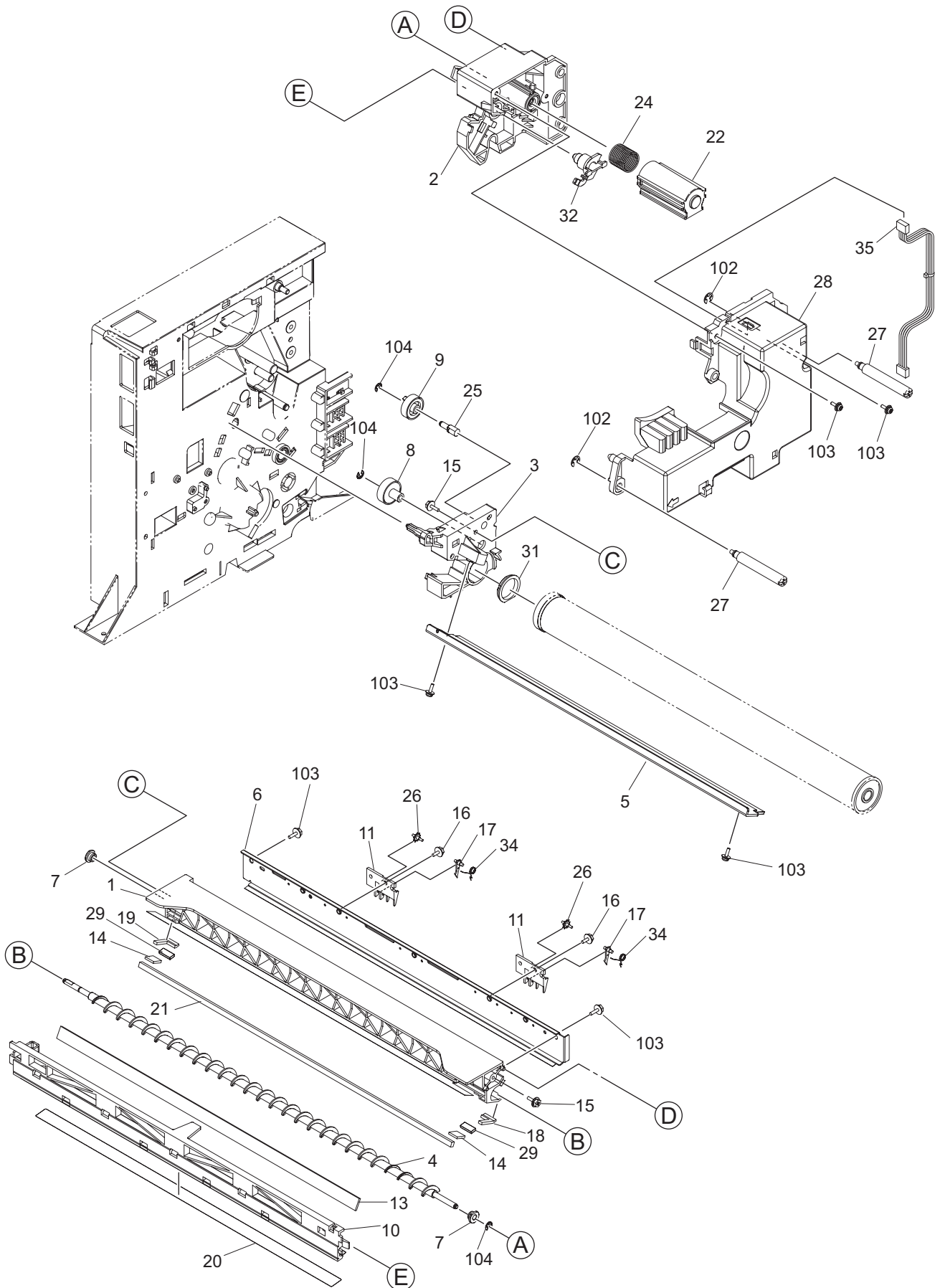
ITEM No.	PART No.	PART NAME	Q'TY / PAGE	Q'TY / PACK	REMARKS
1 A	6LE60740900	ASY-GLASS-PLATEN-280-LCJ4	1	1/S	NAD
1 B	6LE60740800	ASY-GLASS-PLATEN-280-ACJ4	1	1/S	SAD,ASD,AUD,MJD,ARD,BMJ
1 C	6LE60740A00	ASY-GLASS-PLATEN-280-KCJ4	1	1/S	CND,TWD
2	6LE60728000	ASYS-GLASS-ADF-280	1	1/KP	
3	6LE60770100	HOLDER-GLASS-280 DV	1	1/PP	
4	6LE60733000	MYLAR-GLASS-F	1	1/P	
17 A	6LE08071200	LID-SCREW-H150	2	5/P	NAD,CND,AUD,TWD,ARD
17 B	6LE08071200	LID-SCREW-H150	6	5/P	SAD,ASD,MJD,BMJ
101	X0-00430000	S/BID-M3X6-NI	4	10/P	



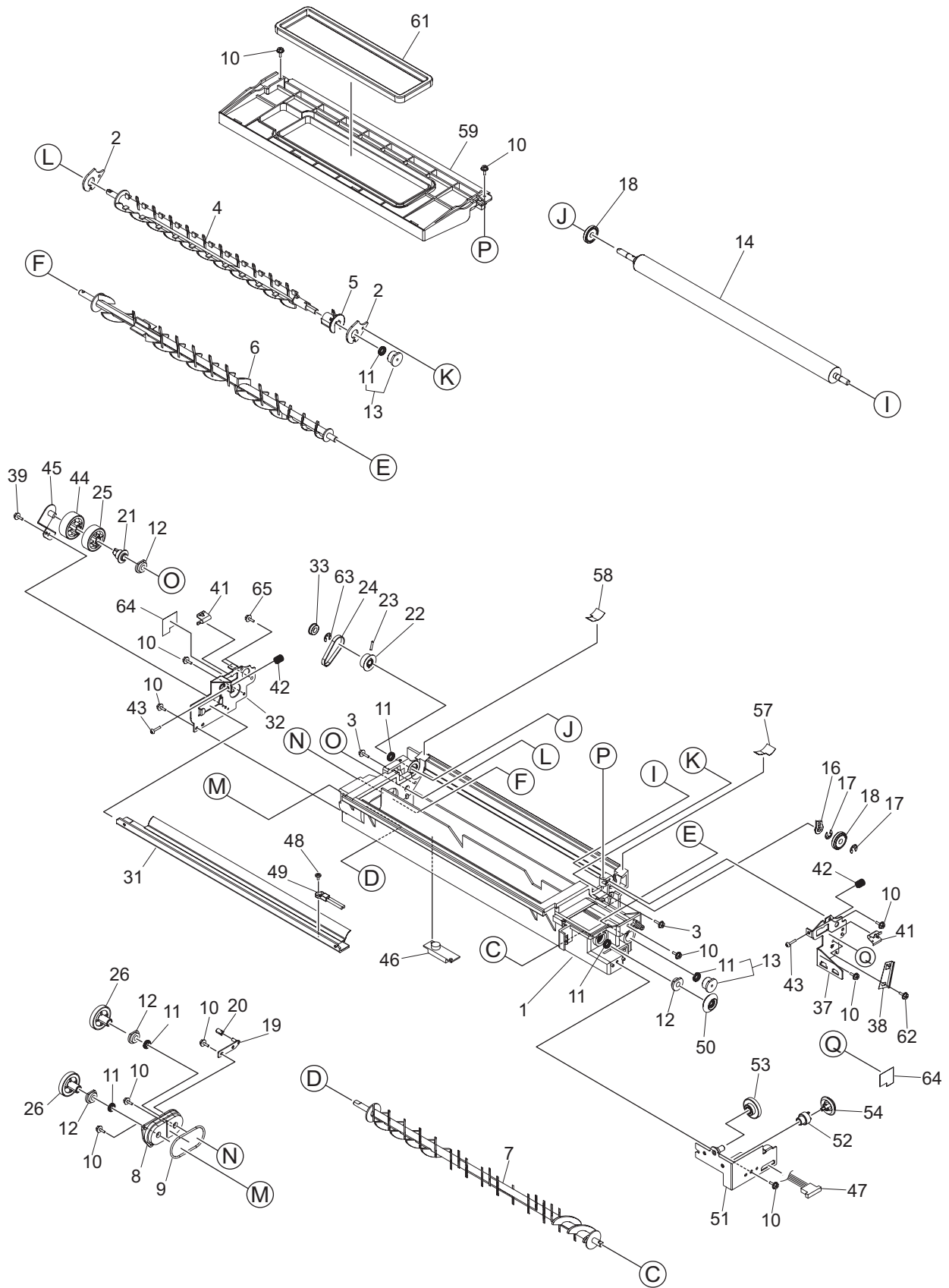
ITEM No.	PART No.	PART NAME	Q'TY / PAGE	Q'TY / PACK	REMARKS
1	6LA84920000	CASE-CH-M	1	1/C	
2	6LH25001000	CH-M	1	1/KP	
3	6LA84930000	GRID-CH-M-371	1	1/KP	
4	4401764730	HANGER-WIRE-TR	1	1/P	
5	6LA84944000	LID-CH-M-F	1	1/P	
6	6LH29501000	LID-CH-M-R	1	1/P	
7	6LA84941000	MYLAR-CLN-CH	1	5/P	
8	6LA84957000	MYLAR-LED	1	1/KP	
9	6LA84938000	ROD-CLN-CH-M	1	1/P	
10	X0-02247000	S/TPP/FHEXM-3X8-NI	2	10/P	
12	6LA84950000	SPE-GR	1	5/P	
13	6LA84922000	SPL-CH-M-R	1	1/P	
14	6LA84935000	SPRING-TENS-CH	1	5/P	
15	6LA84915000	TERM-CH-M-R	1	1/P	
16	6LA84910000	TERM-CH-M-F	1	1/P	
30	6LH25002000	ASY-CH-MAIN	1	1/C	



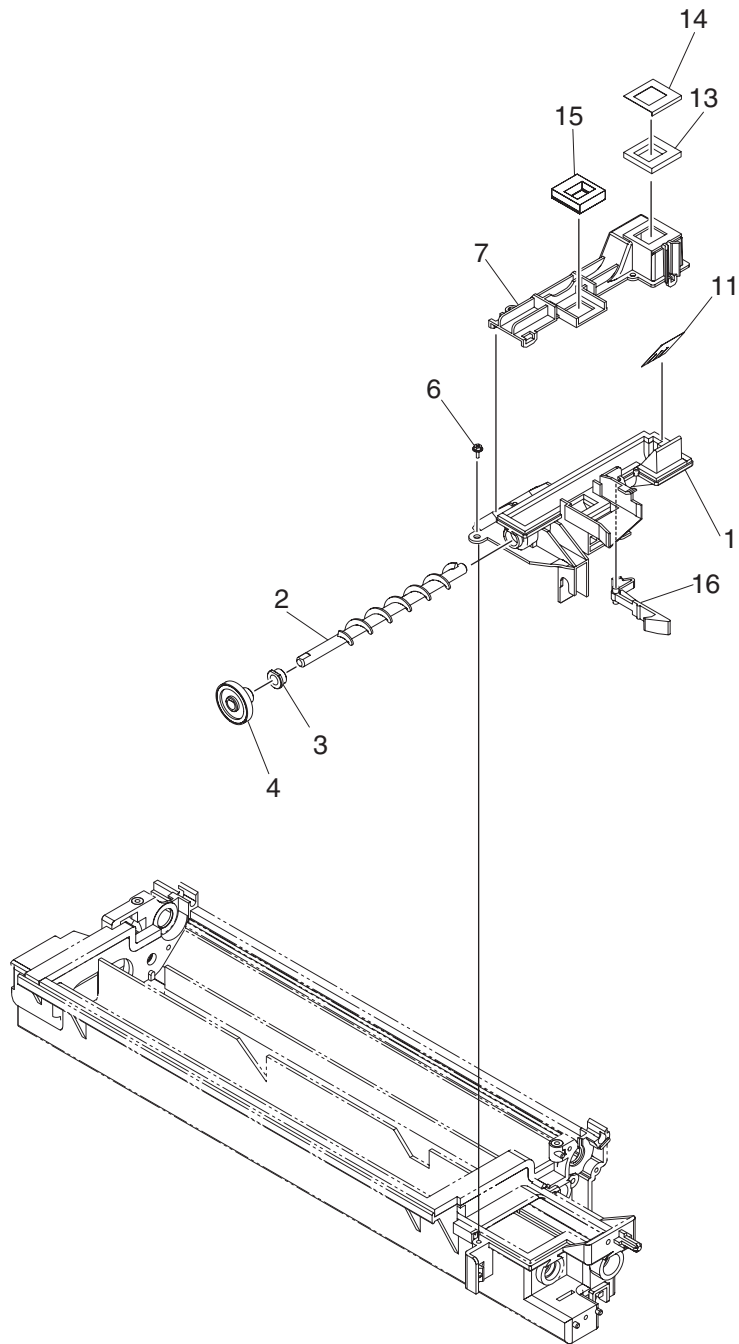
ITEM No.	PART No.	PART NAME	Q'TY / PAGE	Q'TY / PACK	REMARKS
1	41306677000	BUSH-RLR-GUIDE	2	1/P	
2	6LA88230000	CASE-CH-TR	1	1/P	
5	41306712000	DAMPER	2	5/P	
6	6LA88304000	EARTH-CH-TR	1	1/P	
7	41306272000	GEAR-RLR-GUIDE	1	1/P	
8	6LE62303000	GUIDE-CH-TR-280	1	1/PP	
9	4401764730	HANGER-WIRE-TR	2	1/P	
10	6LA88245000	LID-CH-TR-R	1	1/P	
11	6LA88238000	PLT-CH-TR	1	1/KP	
12	44203860000	PLT-TERM-1	2	1/P	
13	6LA88244000	LID-CH-TR-F	1	1/P	
14	6LH23931000	ROLLER-GUIDE	1	1/D	
15	6LA80090000	S/TPP/BID-3*8-NI	2	5/P	
16	6LA84935000	SPRING-TENS-CH	2	5/P	
17	6LA88248000	SUPPORTER-371	1	1/C	
18	6LA88250000	WIRE-CH-060-353-R	2	1/S	



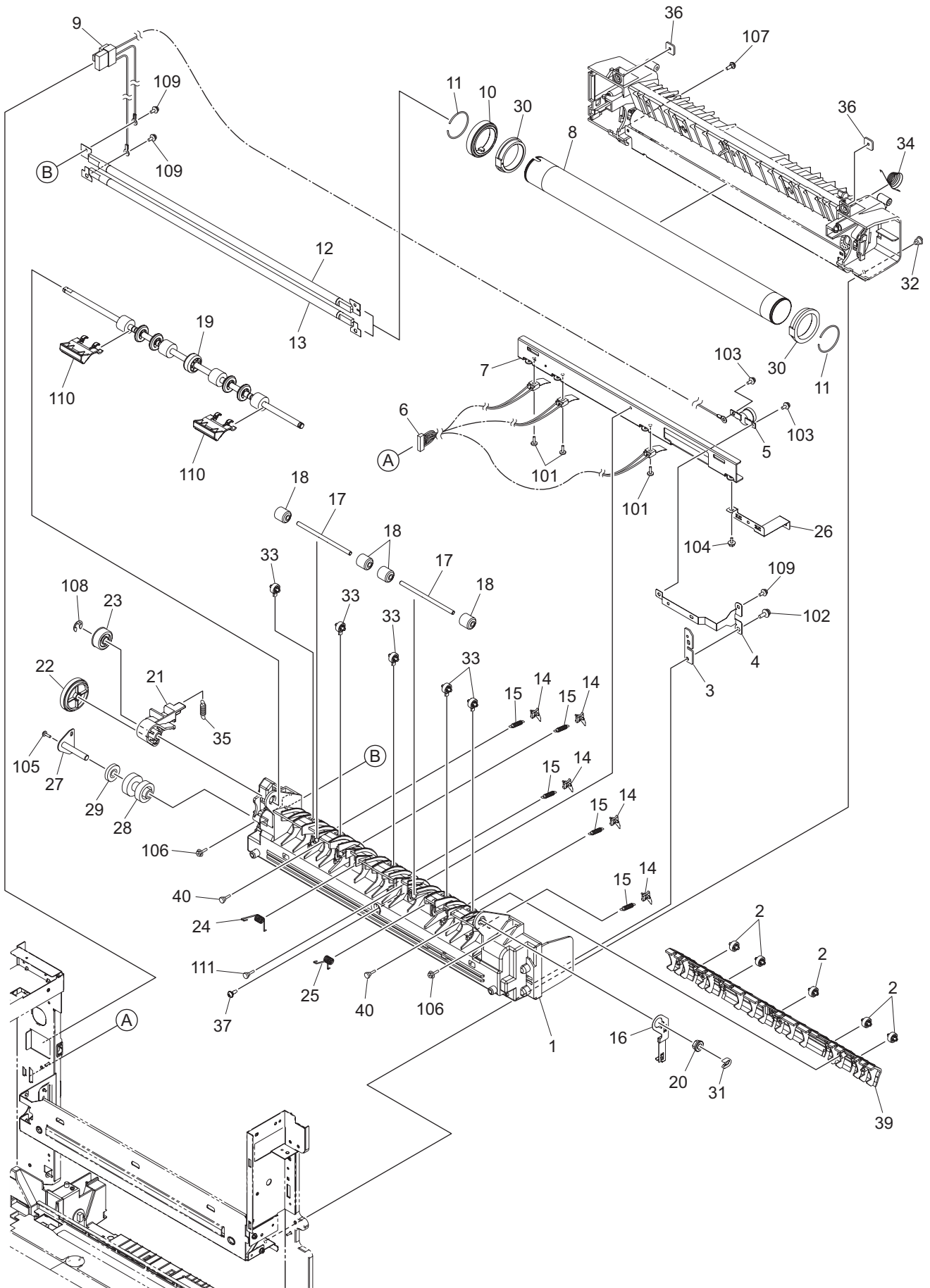
ITEM No.	PART No.	PART NAME	Q'TY / PAGE	Q'TY / PACK	REMARKS
1	6LA79525000	ASYS-FRAME-CLN-C	1	1/C	
2	6LA79540000	ASYS-FRAME-CLN-F	1	1/P	
3	6LA79583000	FRAME-CLN-R	1	1/P	
4	6LA79600000	AUGER-CLN	1	1/KP	
5	6LA27845000	BL-2320D	1	1/S	
6	6LE54020000	BLADE-REC	1	1/C	
7	6LA02920000	BUSH-0410-05F-M	2	5/P	
8	6LA79605000	GEAR-10S18-4	1	1/P	
9	6LA79606000	GEAR-10S17-4	1	1/P	
10	6LH23220000	HLDR-LED	1	1/PP	
11	6LA79615000	HOLDER-SCRAPER	2	1/P	
13	6LH27027000	PWA-F-DLE-280V	1	1/SB	
14	6LA79547000	SEAL-BLADE-SIDE	2	1/P	
15	X0-02247000	S/TPP/FHEXM-3X8-NI	2	10/P	
16	X0-02230000	S/FHEXM-M3X6-NI	2	10/P	
17	6LA79618000	SCRAPER-371	2	3/P	
18	6LA79546000	SEAL-CLN-F	1	1/P	
19	6LA79586000	SEAL-CLN-R	1	5/P	
20	6LH29503000	MYLAR-HLDR-LED	1	1/KP	
21	6LA79531000	SEAL-CLN-C	1	1/KP	
22	6LA79609000	SHUTTER-CLN	1	1/P	
24	6LA79612000	SPC-NZL-CLN	1	1/P	
25	6LA79554000	STUD-GEAR-CLN	1	1/P	
26	41306325000	WHEEL-CLN-8	2	1/P	
27 A	6LA65682000	SCREW-CLNR-DEV	2	10/P	NAD,CND,SAD,ASD,AUD,TWD,ARD
27 B	6LH23250000	SCREW-PU-F_M	2	1/P	MJD,BMJ
28 A	6LH89000100	COV-PU-F-U_N	1	1/PP	CND,SAD,ASD,AUD,TWD
28 B	6LH89000000	COV-PU-F-J_N	1	1/PP	MJD,BMJ
28 C	6LH89000300	COV-PU-F-D_N	1	1/PP	NAD,ARD
29	6LA79534000	SEAL-SIDE-REC	2	1/P	
31	41306135000	BUSH-1821*03-M	1	1/P	
32	6LA79622000	PIN-DRUM-371	1	1/P	
34	41305536000	SPD-SCRPR-DRUM	2	1/P	
35	6LE88066000	HRNS-DLE2-377	1	1/P	
102	X0-00965000	RR/E-4-SS	2	10/P	
103	6LA80090000	S/TPP/BID-3*8-NI	6	5/P	
104	X0-00974000	RR/E-2.5-SS	3	10/P	



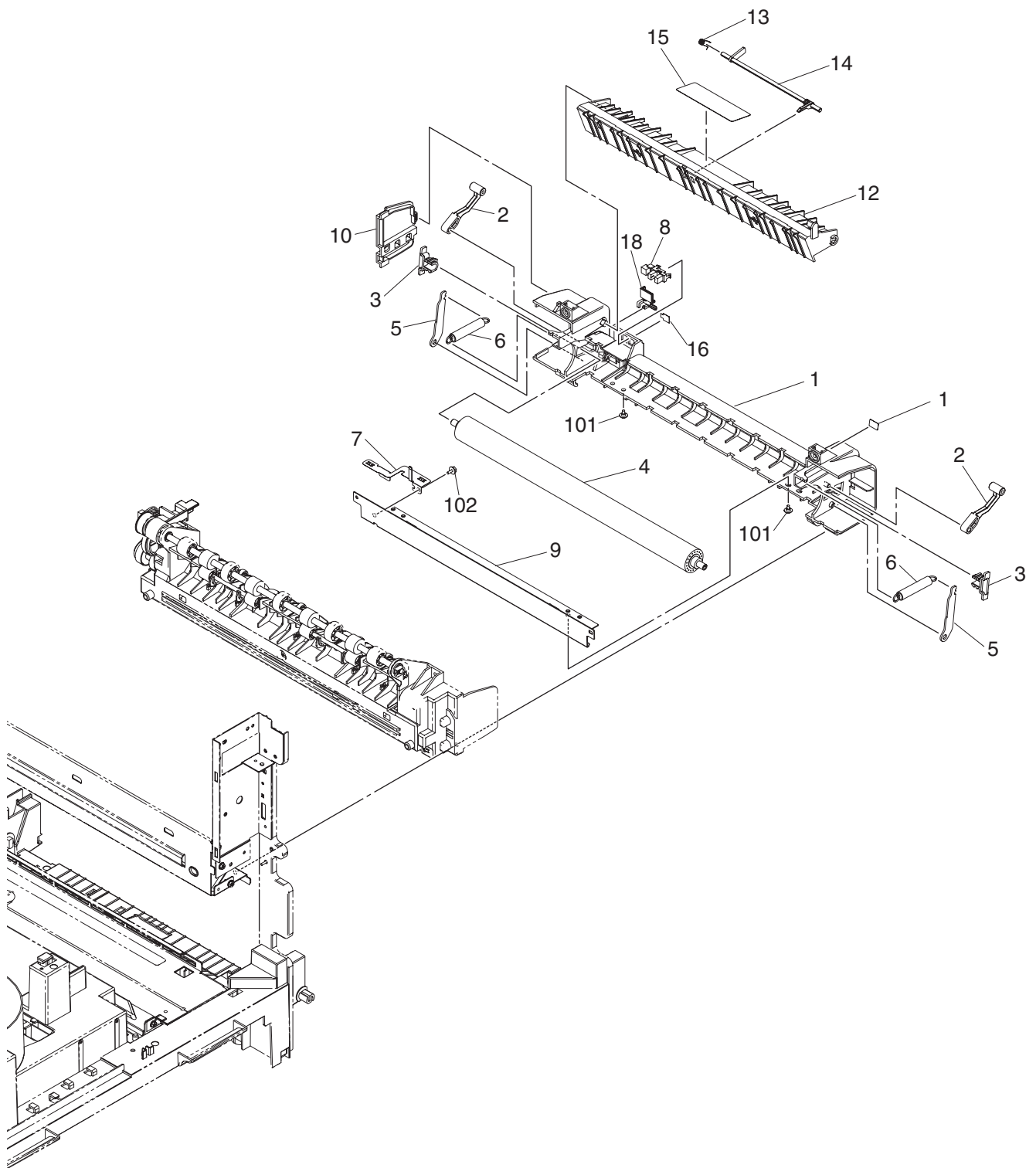
ITEM No.	PART No.	PART NAME	Q'TY / PAGE	Q'TY / PACK	REMARKS
1	6LE55918000	ASYS-CASE-DEV-280	1	1/P	
2	6LA81632000	PLATE-SIDE	2	1/P	
3	X0-02232000	S/FHEXM-M3X10-NI	2	10/P	
4	6LA81635000	MIXER-1-371	1	1/C	
5	6LA81636000	SPACER-MIX	1	1/P	
6	6LH23230000	ASYS-MIXER-2-284	1	1/KP	
7	6LA81643000	MIXER-3-371	1	1/C	
8	6LE55966000	BUSH-DEV-R-280	1	1/P	
9	6LE55967000	SEAL-BUSH-DEV-R	1	1/P	
10	6LA80090000	S/TPP/BID-3*8-NI	11	5/P	
11	4401949290	SEAL-VC6-10-2.5	6	1/P	
12	6LH23441000	BUSH-6X12X4R8F-NU4	4	5/P	
13	6LA81645000	ASYS-BUSH-0613-07	2	1/P	
14	6LH23270000	ROLLER-MG-377	1	1/C	
16	6LA81652000	BUSH-DEV	1	5/P	
17	X0-00965000	RR/E-4-SS	2	10/P	
18	6LA81662000	ROLL-GUIDE-371	2	1/P	
19	6LA81678000	ASYS-BKT-DEV-TENS	1	1/P	
20	4401950980	COLLAR-DEV-TENS	1	5/P	
21	6LA81670000	PULLY-2GT16-6	1	1/P	
22	6LA81666000	PULLY-2GT27-6	1	1/P	
23	X0-00980000	P/PRL/AH7-2X10-SS	1	10/P	
24	6LA81674000	BLT/T-2GT-92	1	1/P	
25	6LA81677000	GEAR-10S27-CUP	1	1/P	
26	4402439380	GR-10H27-5-06	2	1/P	
31	6LA81656000	ASYS-DOCTOR-371	1	1/KP	
32	6LA81691000	BRKT-DEV-R-371	1	1/P	
33	F0-01946000	F126ZZ-SH44M-GV22	1	1/P	
37	6LA81711000	BRKT-DEV-F-371	1	1/P	
38	6LA81718000	ADJUSTER-MG	1	1/P	
39	X0-02593000	S/TPD3/FHEXM-3X8-ZU3	1	10/P	
41	6LH53468000	SPL-DOCTOR	2	1/P	
42	4400672520	SPC060-065-0130	2	1/P	
43	6LA81610000	SCREW-DOCTOR-371	2	10/P	
44	6LA81724000	GEAR-10S28-6	1	1/P	
45	6LA81729000	ASYS-BRKT-DRV	1	1/P	
46	6LE63990000	SNR-ATC-280	1	1/D	
47	6LE63301000	HRNS-ATS-280	1	1/P	
48	X0-01725000	S/BID-M3X5-BSNI	1	10/P	
49	6LE78194000	THMS-DRM-364	1	1/P	
50	6LA81685000	GEAR-10B22-6	1	1/P	
51	6LE55970000	ASYS-BRKT-RECY	1	1/P	
52	6LA81888000	GEAR-8S15-6	1	1/P	
53	6LE55980000	GEAR-8S29_8S18-6	1	1/P	
54	6LA81881000	GEAR-10B22-6-CUP	1	1/P	
57	6LA81780000	SHEET-MG-F	1	5/P	
58	6LA81781000	SHEET-MG-R	1	5/P	
59	6LA81790000	ASYS-COV-DEV	1	1/PP	
61	6LA81700000	COVER-DEV-BTL-371	1	1/P	
62	X0-00077000	S/PAN/SWWP-M3X8-NI	1	10/P	
63	X0-00966000	RR/E-5-SS	1	10/P	
64	6LA81714000	MYLAR-DOC-SLIDE	2	5/KP	
65	6LE46468000	SCREW-SPG-TR2	2	5/P	



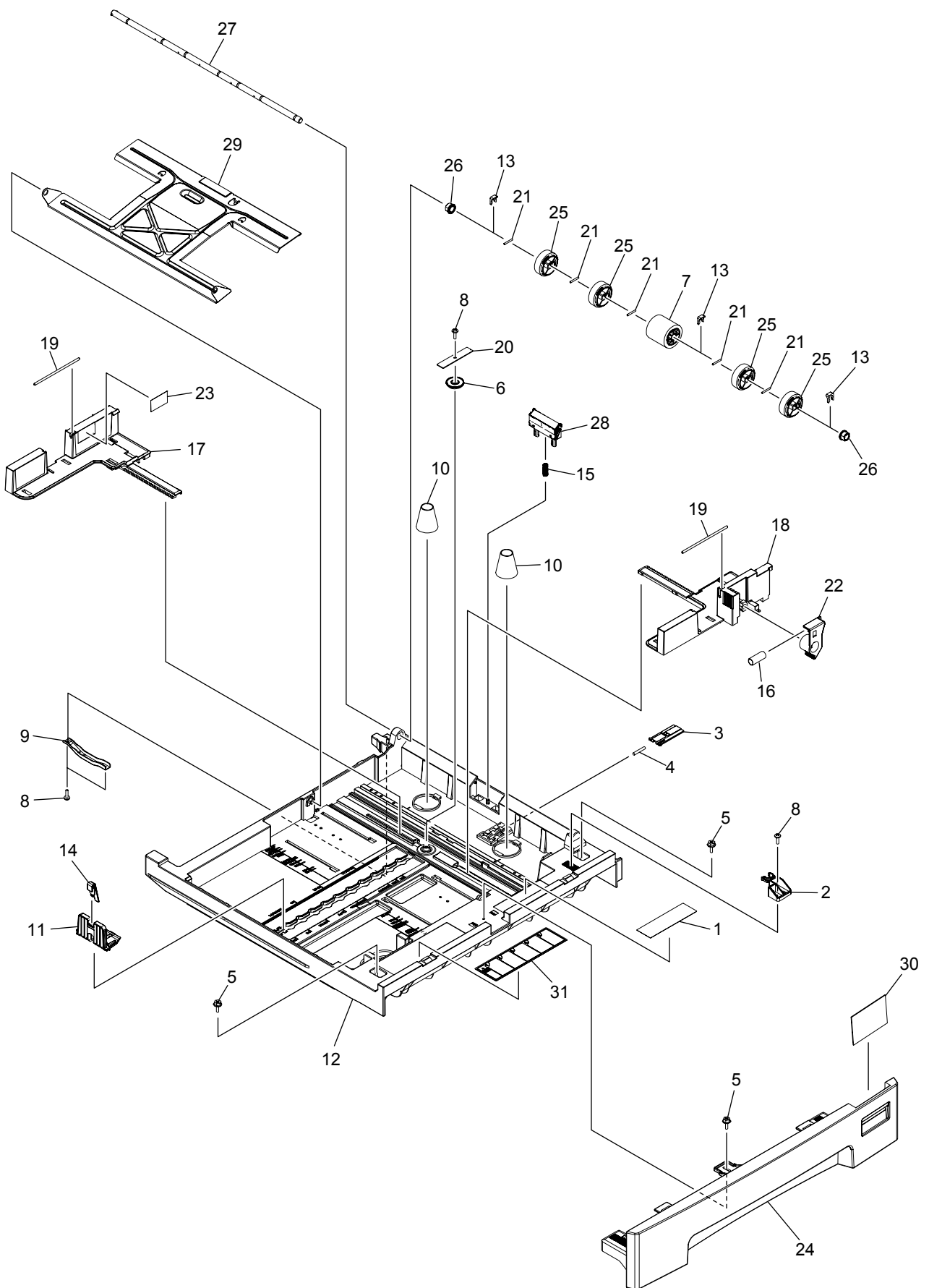
ITEM No.	PART No.	PART NAME	Q'TY / PAGE	Q'TY / PACK	REMARKS
1	6LE56021000	ASYS-COV-NOZLE-280	1	1/P	
2	6LE56030000	AUGER-RECY-280	1	1/P	
3	6LH89031000	BUSH-0611-06F-M	1	1/P	
4	6LA81936000	GEAR-8S22-6	1	1/P	
6	6LA80090000	S/TPP/BID-3*8-NI	1	5/P	
7	6LE56035000	COVER-RECY-280	1	1/PP	
11	6LE56040000	MYLAR-VIB-TNR	1	5/P	
13	6LA81953000	SEAL-RECY-CLN	1	1/P	
14	6LA81952000	MYLAR-RECY-CLN	1	1/P	
15	6LA81955000	ASYS-TNR-IN	1	1/PP	
16	6LA81707000	STOPPER-LID-371	1	1/P	



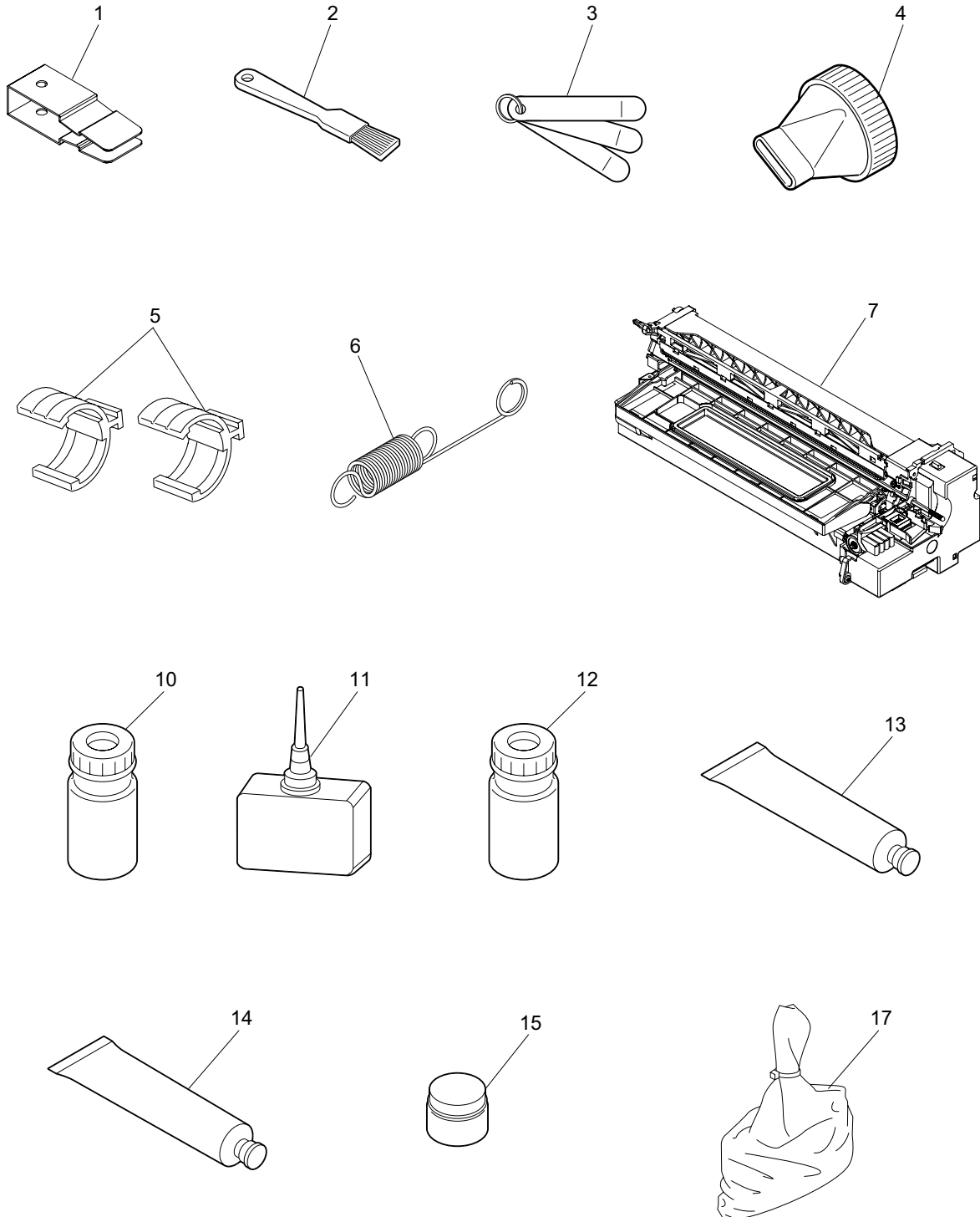
ITEM No.	PART No.	PART NAME	Q'TY / PAGE	Q'TY / PACK	REMARKS
1	6LH90400000	FRAME-FUS-HR-284-N	1	1/PP	
2	6LE25931000	ROLL-FUS-GUIDE	5	1/P	
3	6LH24660000	PLT-NUT-LMP-284	1	1/P	
4	6LE58575000	PLT-THMS-LMP-280	1	1/P	
5	6LH27402000	THRMST-HTR-284	1	1/C	
6	6LE63998000	THMS-HTR-280	1	1/C	
7	6LE58520000	ASYS-HLD-THMIS-280	1	1/C	
8	6LE19935000	HR-1640-U	1	1/S	
9	6LE63314000	HRNS-LP-ACIN2-280	1	1/P	
10	6LH24603000	GEAR-HR-RLR	1	1/P	
11	6LH24640000	CRR-HT/RLR	2	1/P	
12 A	6LE58630100	LAMP-HTR-C-371-NAD	1	1/C	NAD,SAD,TWD
12 B	6LE58630200	LAMP-HTR-C-371-MJD	1	1/C	CND,ASD,AUD,MJD,ARD,BMJ
13 A	6LE58631100	LAMP-HTR-S-371-NAD	1	1/C	NAD,SAD,TWD
13 B	6LE58631200	LAMP-HTR-S-371-MJD	1	1/C	CND,ASD,AUD,MJD,ARD,BMJ
14	6LE58405000	SCRAPER-282	5	5/P	
15	6LA84096000	SPE-SCR-HR-371	5	1/P	
16	6LE58530000	EARTH-FUS-EXIT	1	1/C	
17	6LE58600000	SFT-EXIT-IDLE-280	2	1/P	
18	6LE58555000	ROLL-EXIT-L-282	4	1/P	
19	6LE58587000	ROLLER-EXIT-282	1	1/KP	
20	4407734980	BUSH-6-GCB	1	5/P	
21	6LE58401000	HLDR-GEAR-EXIT-280	1	1/P	
22	6LE58540000	GEAR-10S35-5	1	1/P	
23	6LE58570000	GEAR-10S20-8	1	1/P	
24	6LE58611000	SPG-T-EXIT-R-280	1	1/P	
25	6LE58615000	SPG-T-EXIT-F-280	1	1/P	
26	6LE58535000	EARTH-FUS-HEAT	1	1/C	
27	6LE58490000	ASYS-GEAR-HR-EXIT	1	1/P	
28	6LH24602000	GEAR-10H21_10S20-6-FUS	1	1/P	
29	6LH24605000	ROL-IDLE-FUS-284	1	1/P	
30	6LH24604000	BUSH-HR_RLR	2	1/P	
31	4407972860	STOP-RING-6-5	1	5/P	
32	6LA04456000	SCREW-PINION	1	5/P	
33	6LE58505000	ROLL-GUIDE-EXIT-280	5	1/P	
34	6LE58886000	SPG-T-GUIDE-OPEN-2	1	1/P	
35	6LE58770000	SPG-E-FUS-GEAR	1	1/P	
36	6LE58564000	PLT-NUT-FUS-280	2	5/P	
37	6LA36276000	SCREW-M3-FUS-C	1	5/P	
39	6LE58625000	GUIDE- FUS-CURL-282	1	1/KP	
40	6LA65683000	SCREW-HLDR-MG	2	10/P	
101	X0-00434000	S/BID-M3X8-NI	3	10/P	
102	6LH55300000	USUITA-SPSEMS-4X8-6	1	5/P	
103	X0-00077000	S/PAN/SWWP-M3X8-NI	2	10/P	
104	X0-02592000	S/TPD3/FHEXM-3X6-ZU3	1	10/P	
105	6LA80090000	S/TPP/BID-3*8-NI	1	5/P	
106	X0-02232000	S/FHEXM-M3X10-NI	2	10/P	
107	X0-00077000	S/PAN/SWWP-M3X8-NI	1	10/P	
108	X0-00966000	RR/E-5-SS	1	10/P	
109	6LH55301000	USUITA-SEMS-3X5-6	3	5/P	
110	6LJ22901000	LVR-EXIT-PAPER	2	1/P	



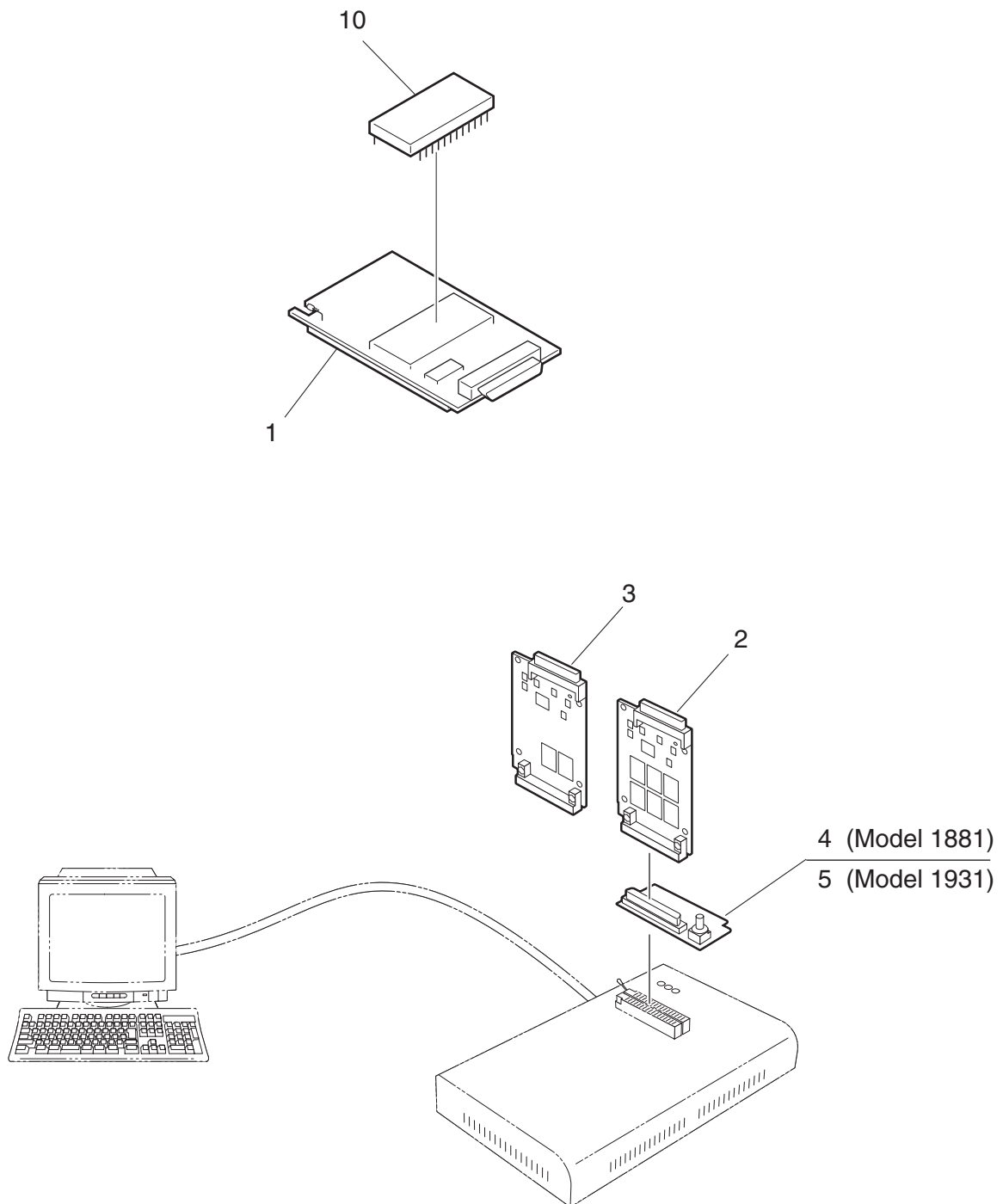
ITEM No.	PART No.	PART NAME	Q'TY / PAGE	Q'TY / PACK	REMARKS
1	6LH29500000	FRAME-FUS-PR-280	1	1/PP	
2	6LE58710000	LVR-P-REL-280	2	1/P	
3	6LE58690000	BUSH-PR-280	2	1/P	
4	6LE19936000	HR-1640-L	1	1/S	
5	6LE58720000	LVR-PRESS-280	2	1/P	
6	6LE58750000	SPE-PR-280	2	1/P	
7	6LE58700000	EARTH-FUS-PRS-280	1	1/C	
8	C0-11250000	LG248NL1	1	1/P	
9	6LE58880000	GUIDE-ENT-FUS-280	1	1/P	
10	6LE58870000	COV-FUS-RER-280	1	1/P	
11	6LE63299000	HRNS-EXIT-280	1	1/P	
12	6LH24613000	GUIDE-OPEN-FUS-282_N	1	1/C	
13	6LE58862000	SPG-T-ACT-EXIT-282	1	1/P	
14	6LH24612000	ACTR-EXIT-282_N	1	1/P	
15	6LE58890000	LBL-W-HOT-280	1	1/KP	
16	6LE58765000	MYLAR-COV-SENS	1	5/P	
17	6LE58896000	LBL-FUS-OPE	1	5/P	
18	6LE58407000	STOPPER-FUS-GID	1	1/P	
101	6LA47979000	SCREW-SPEAKER-ZU3	2	5/P	
102	X0-02592000	S/TPD3/FHEXM-3X6-ZU3	1	10/P	



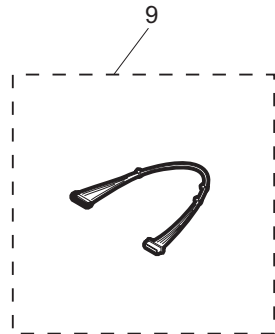
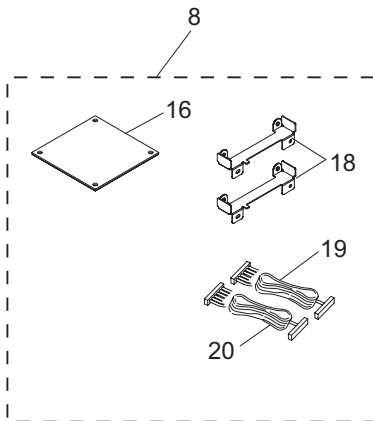
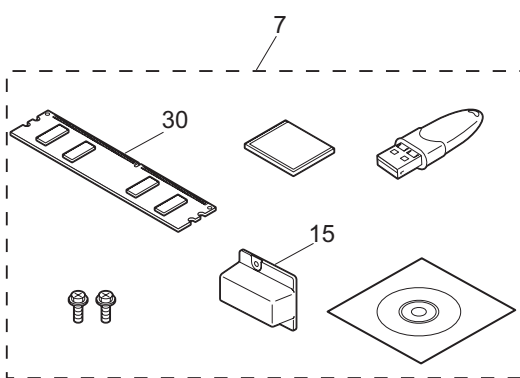
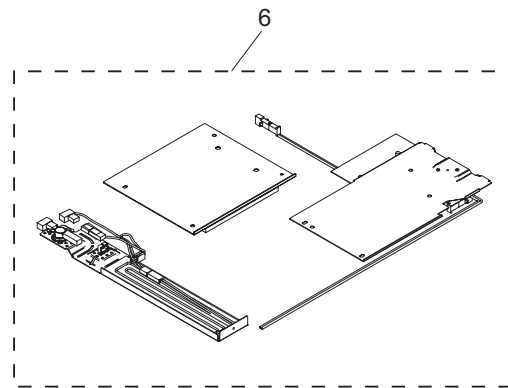
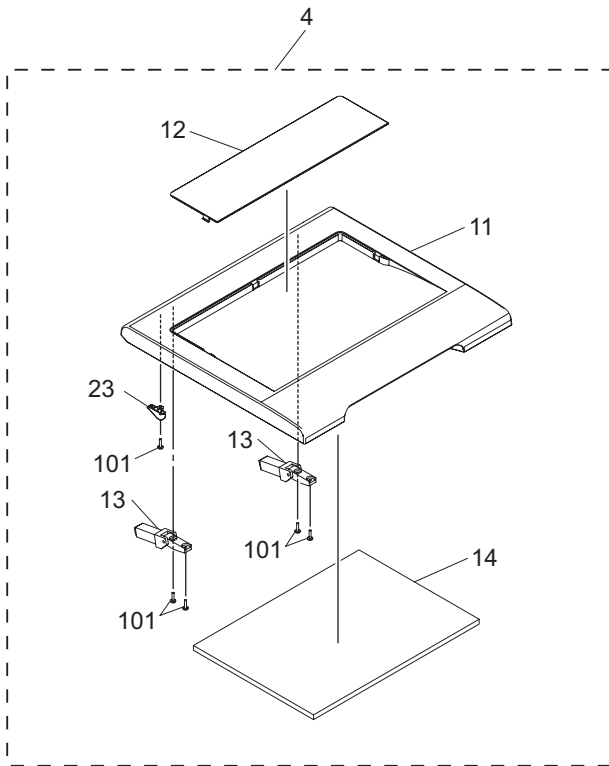
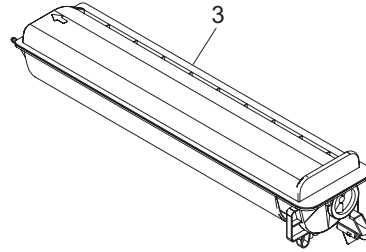
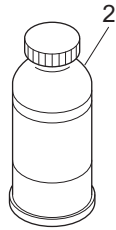
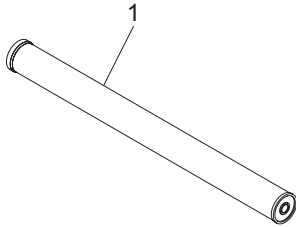
ITEM No.	PART No.	PART NAME	Q'TY / PAGE	Q'TY / PACK	REMARKS
1 A	6LE53757000	LBL-CST-PUSH-280A	1	1/P	CND
1 B	6LE53758000	LBL-CST-PUSH-280E	1	1/P	NAD,SAD,ASD,AUD,MJD,TWD,ARD,BMJ
2	6LH22003000	CATCH-CST-280	1	1/P	
3	6LE53718000	STOP-PLATE-CSSTT	1	1/P	
4	6LE53730000	SPG-LATCH-TRAY	1	1/P	
5	X0-02247000	S/TPP/FHEXM-3X8-NI	3	10/P	
6	6LE53717000	GEAR-10S18-8-TRAY	1	1/P	
7	6LJ46929000	ASYS-ROL-CST-36-L35	1	1/P	
8	X0-01989000	S/TPP/BID-3X8-NI	4	10/P	
9	6LE53746000	BRKT-TRAY-280	1	1/P	
10	6LE53732000	SPG-CSSTT-280	2	1/P	
11	6LJ46915000	WALL-CST-END-LE_4	1	1/P	
12	6LJ46900000	TRAY-CST-LE_4	1	1/PP	
13	41306265000	STOP-RING-8	3	1/P	
14	6LJ46922000	SPG-T-END-WALL	1	1/P	
15	6LJ46907000	SPG-PAD-CHA-G	1	1/P	
16	6LA56695000	SPC-LVR-WALL-F	1	1/P	
17	6LJ46901000	SLIDE-WALL-R-G	1	1/D	
18	6LJ46902000	SLIDE-WALL-F-G	1	1/D	
19	6LJ46919000	SHAFT_STOPER_WALL	2	1/P	
20	6LJ46917000	PLT-WALL-GEAR-G	1	1/P	
21	X0-01533000	P/PRL/AH7-2X16-SS	5	10/P	
22	6LJ46916000	LEVER-LOCK-WALL-G	1	1/P	
23	6LH05749000	LBL-MAX-CST-F43X	1	5/KP	
24	6LJ46908100	COVER-CSSTT-G-TN	1	1/PP	
25	6LJ46934000	ASYS-ROL-PIC-CST	4	1/P	
26	6LH23442000	BUSH-8X12X8F-NU4	2	5/P	
27	6LJ46904000	ASYS-ROL-CST-G	1	1/P	
28	6LJ46914000	ASYS-HOLD-PAD-G	1	1/P	
29	6LJ46913000	ASYS-PLATE-CSSTT-G	1	1/P	
30 A	6LE03708000	SIZE-CST-390-JC	1	1/KP	NAD
30 B	6LE03709000	SIZE-CST-390-E	1	1/KP	SAD,ASD,AUD,MJD,TWD,ARD,BMJ
30 C	6LE03715000	SIZE-CST-390-C	1	1/KP	CND
31	6LJ46928000	LBL-OPE-CST	1	1/KP	



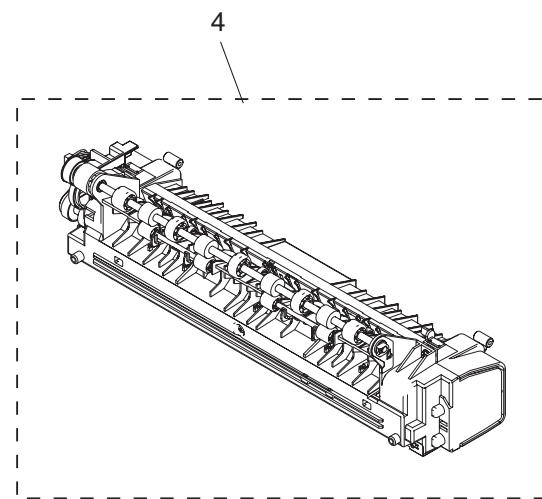
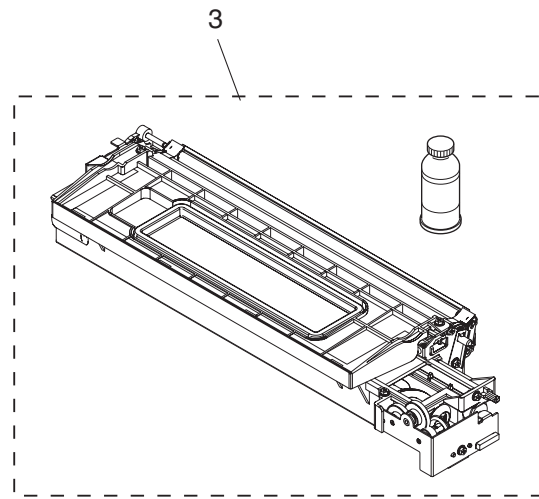
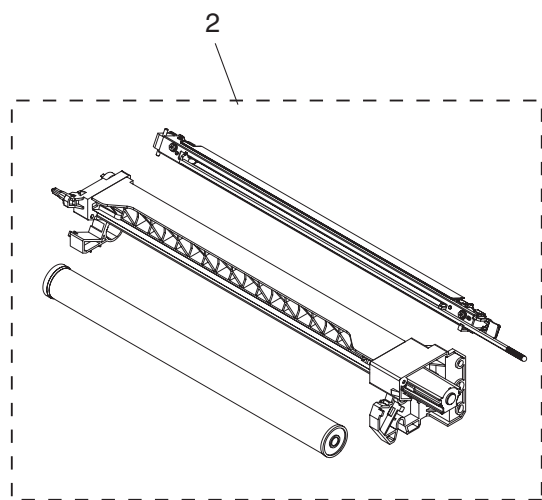
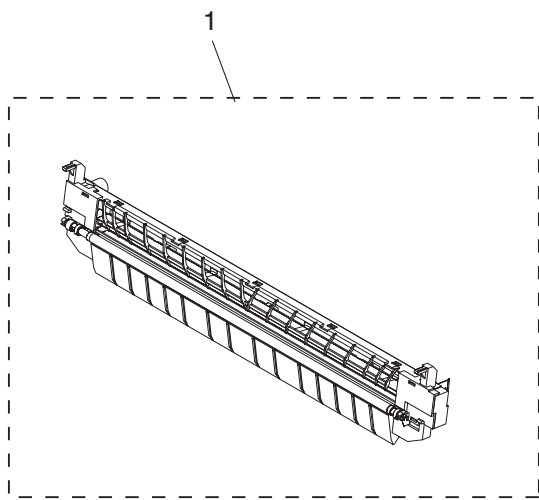
ITEM No.	PART No.	PART NAME	Q'TY / PAGE	Q'TY / PACK	REMARKS
1	6LE6550000	KEY-PLATE-280	1	1/P	
2	4407915710	BRUSH-33	1	1/P	
3	4402048100	ASM-JIG-DOC-180	1	1/P	
4	4407914000	NOZZLE-BOTTLE	1	1/P	
5	6LA01757000	HOLDER-WIRE-SCAN	2	1/P	
6	6LE60640000	SPRING-MTR	1	1/P	
7	6LA91605000	ASY-PU-TOOL-F371	1	1/C	High-Voltage measurement jig
10	4407933080	ASM-SILICONE-1M	1	1/P	Silicon Oil
11	4842512170	OIL-LAUNA40-100	1	1/P	LAUNA40 100cc
12	6LA00019000	GREASE-HP300-S	1	1/P	White grease 10g
13	41303711000	ASM-PG-ALV2	1	1/P	Alvania No.2
14	6LE36904000	MOLYKOTE_EM-30L_100G	1	1/P	
15	41303710000	ASM-PG-GE334C-S	1	1/P	
17	4407015430	P-POWDER-PPT001	1	1/P	



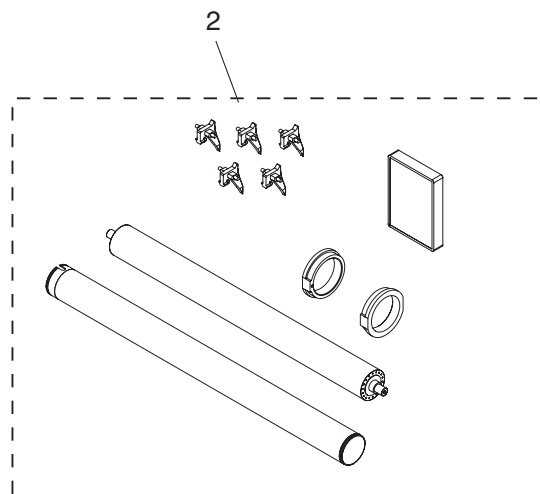
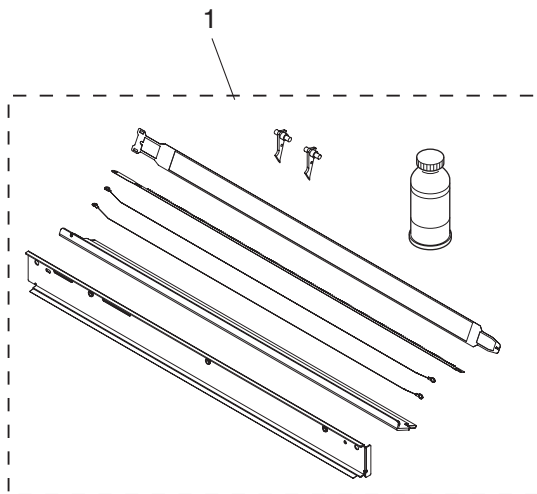
ITEM No.	PART No.	PART NAME	Q'TY / PAGE	Q'TY / PACK	REMARKS
1	44205829000	K-PWA-DLM-320	1	1/C	
2	6LA41995000	PWA-DWNLD-350-JIG2	1	1/SB	
3	6LA41994000	PWA-DWNLD-350-JIG1	1	1/SB	
4	6LA41996000	PWA-DL-ADP-350-1881	1	1/S	
5	6LA41997000	PWA-DL-ADP-350-1931	1	1/C	
10	C0-04530000	M27C4001-10F1	1	1/S	



ITEM No.	PART No.	PART NAME	Q'TY / PAGE	Q'TY / PACK	REMARKS
1 A	41303611000	OD-1600	1	1/S	Except for CND
1 B	6LE98021000	OD-2320C	1	1/S	CND
2 A	6LA27715000	D-2320	1	1/S	Except for CND
2 B	6LA27713000	D-2320C	1	1/S	CND
4 A	6AG00003091	KA-1650PC	1	SUPPLY	Except for CND
4 B	6AG00003092	KA-1650PCC	1	SUPPLY	CND
6 A	6AG00002432	MF-1640U	1	SUPPLY	100V series
6 B	6AG00002431	MF-1640E	1	SUPPLY	200V series
7 A	6AH00000458	GA-1202	1	SUPPLY	Scanner Upgrade Kit
7 B	6AH00000459	GA-1202C	1	SUPPLY	Scanner Upgrade Kit for CND
7 C	6AH00000467	GA-1202TW	1	SUPPLY	Scanner Upgrade Kit for TWD
8 A	6AR00000697	GH-1060	1	SUPPLY	Except for CND
8 B	6AR00000698	GH-1060-C	1	SUPPLY	CND
9	6A000000874	GQ-1130	1	SUPPLY	
11	6LE59600000	COVER-PLATEN	1	1/PP	
12	6LE59601000	POCKET-PLAREN	1	1/PP	
13	6LA60463000	HINGE-PLATEN	2	1/P	
14	6LE59607000	SHEET-PLATEN-280	1	1/KP	
15	6LE55622000	COVER-ENABLER	1	1/P	
16	6LH27009000	ASY-PWA-PFC-668	1	1/SB	
18	6LE55700000	BRKT-PFC	2	1/P	
19	6LE63396000	HRNS-PFC-637	1	1/P	
20	6LE63335000	HRNS-PFC-POW2-637	1	1/P	
23	6LH25306000	CAP-APS-PLATEN	1	1/P	
30	C0-12930000	TS1DNG1852E-6VC	1	1/S	
101	X0-02091000	S/TPP/BID-4X14-NI	2	10/P	



ITEM No.	PART No.	PART NAME	Q'TY / PAGE	Q'TY / PACK	REMARKS
1	6LE65620000	TR-CH-1640	1	1/S	
2	6LE65630000	CLN-DRUM-1640	1	1/S	
3	6LE65600000	DEV-UNIT-1640	1	1/S	
4 A	6LE65510100	FUSER-1650-115	1	1/S	NAD,SAD,TWD
4 B	6LE65510200	FUSER-1650-230	1	1/S	CND,ASD,AUD,MJD,ARD,BMJ



ITEM No.	PART No.	PART NAME	Q'TY / PAGE	Q'TY / PACK	REMARKS
1 2	6LA85750100 6LH24620000	DEV-KIT-2340 FR-KIT-1670	1 1	1/S 1/S	

TOSHIBA

TOSHIBA TEC CORPORATION

2-17-2, HIGASHIGOTANDA, SHINAGAWA-KU, TOKYO, 141-8664, JAPAN