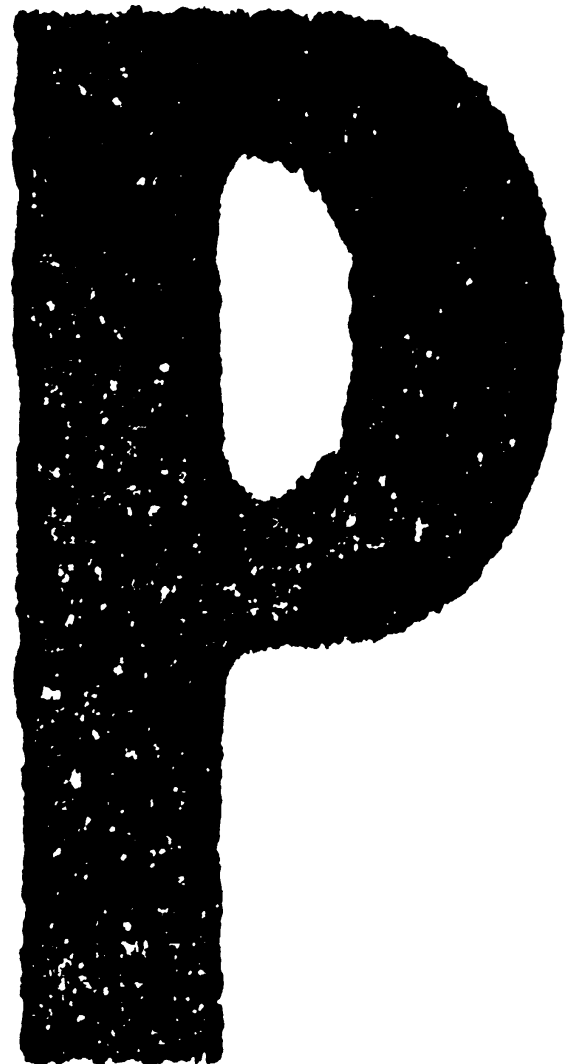


TOSHIBA

SERVICE PARTS LIST

PLAIN PAPER FACSIMILE

e-STUDIO190F

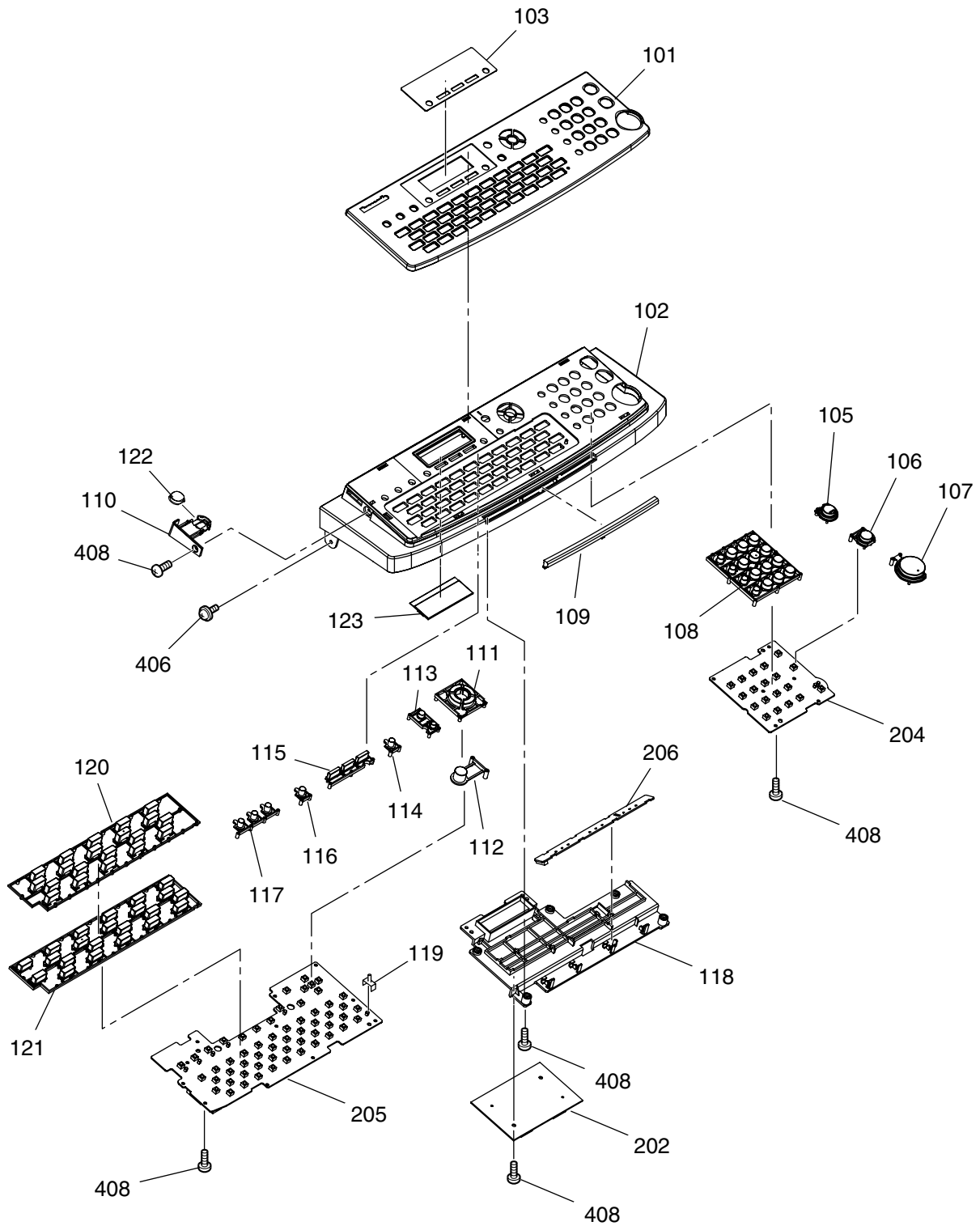


© 2006 TOSHIBA TEC CORPORATION All rights reserved

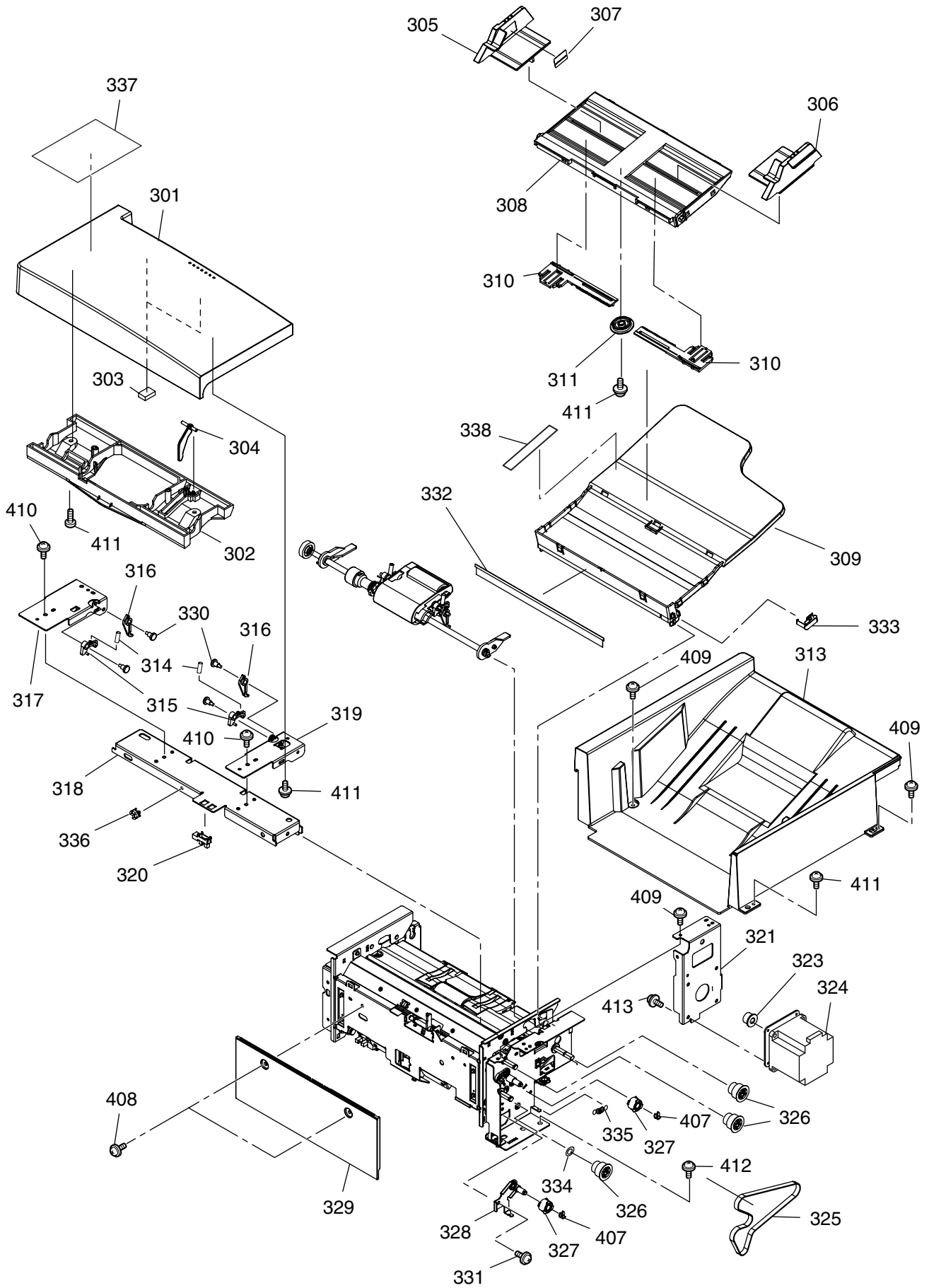
Under the copyright laws, this manual cannot be reproduced in any form without prior written permission of TOSHIBA TEC CORPORATION. No patent liability is assumed, however, with respect to the use of the information contained herein.

Contents

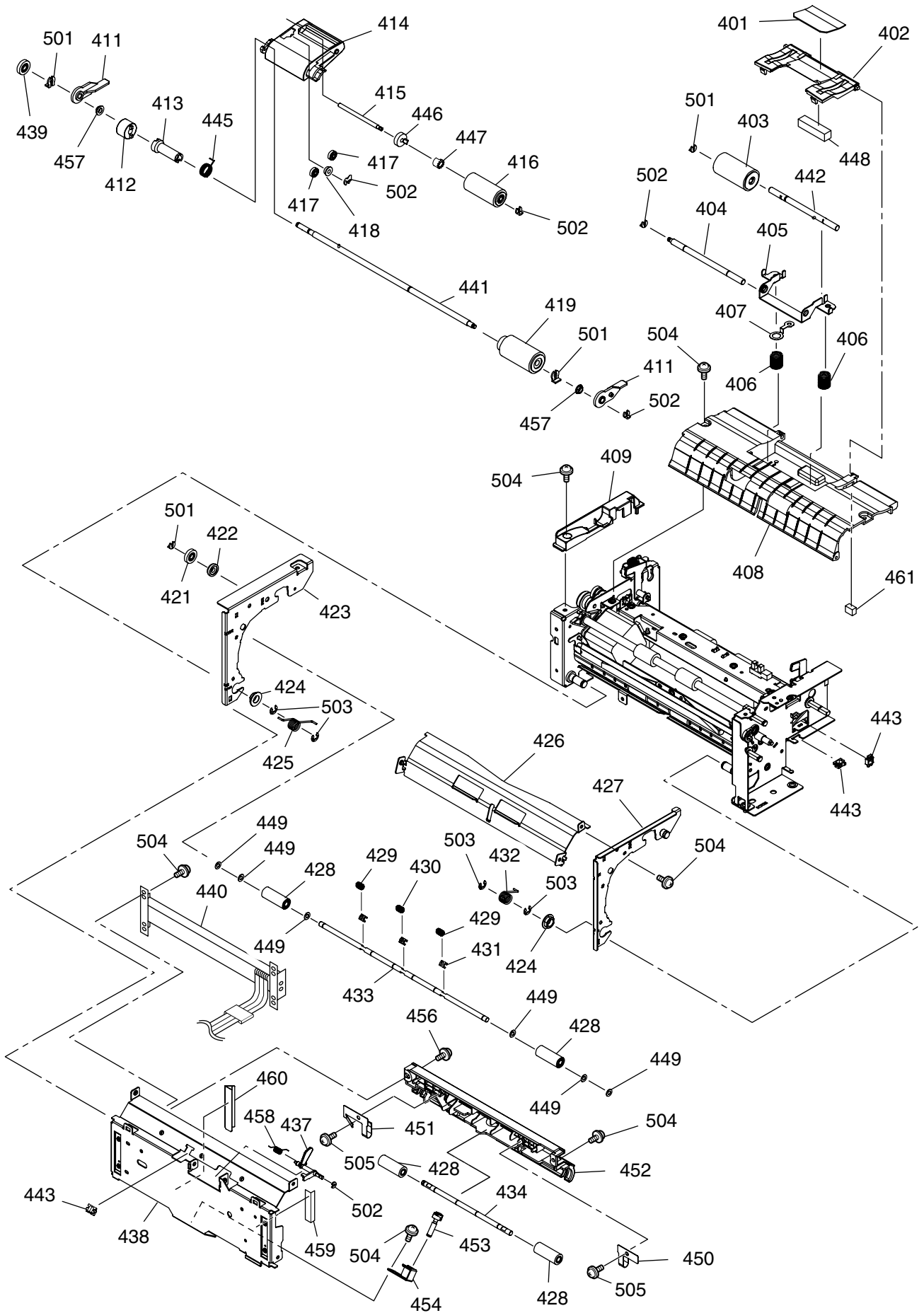
CONTROL PANEL UNIT.....	1
ADF (1).....	2
ADF (2).....	3
ADF (3).....	4
COVER ASSEMBLY.....	5
RIGHT SIDE PARTS (1).....	6
RIGHT SIDE PARTS (2).....	7
MOTOR AND DRIVE GEAR UNIT.....	8
LEFT SIDE PARTS (1).....	9
LEFT SIDE PARTS (2).....	10
REAR AND UPPER PARTS.....	11
FUSER UNIT.....	12
PICK UP ROLLER AND PAPER FEED ROLLER.....	13
BOTTOM PARTS.....	14
MECHANICAL BASE.....	15
PAPER TRAY.....	16
2ND PAPER FEED MODULE.....	17
PAPER TRAY (2ND PAPER FEED MODULE).....	18
PC BOARDS (1).....	19
PC BOARDS (2).....	20
PACKING AND ACCESSORIES.....	21
2ND PAPER FEED MODULE PACKING AND ACCESSORIES.....	22
G3 COMMUNICATION PORT KIT.....	23
PRINTER CONTROLLER MODULE FOR PCL6.....	24
NETWORK SCAN / EMAIL / INTERNET FAX KIT.....	25



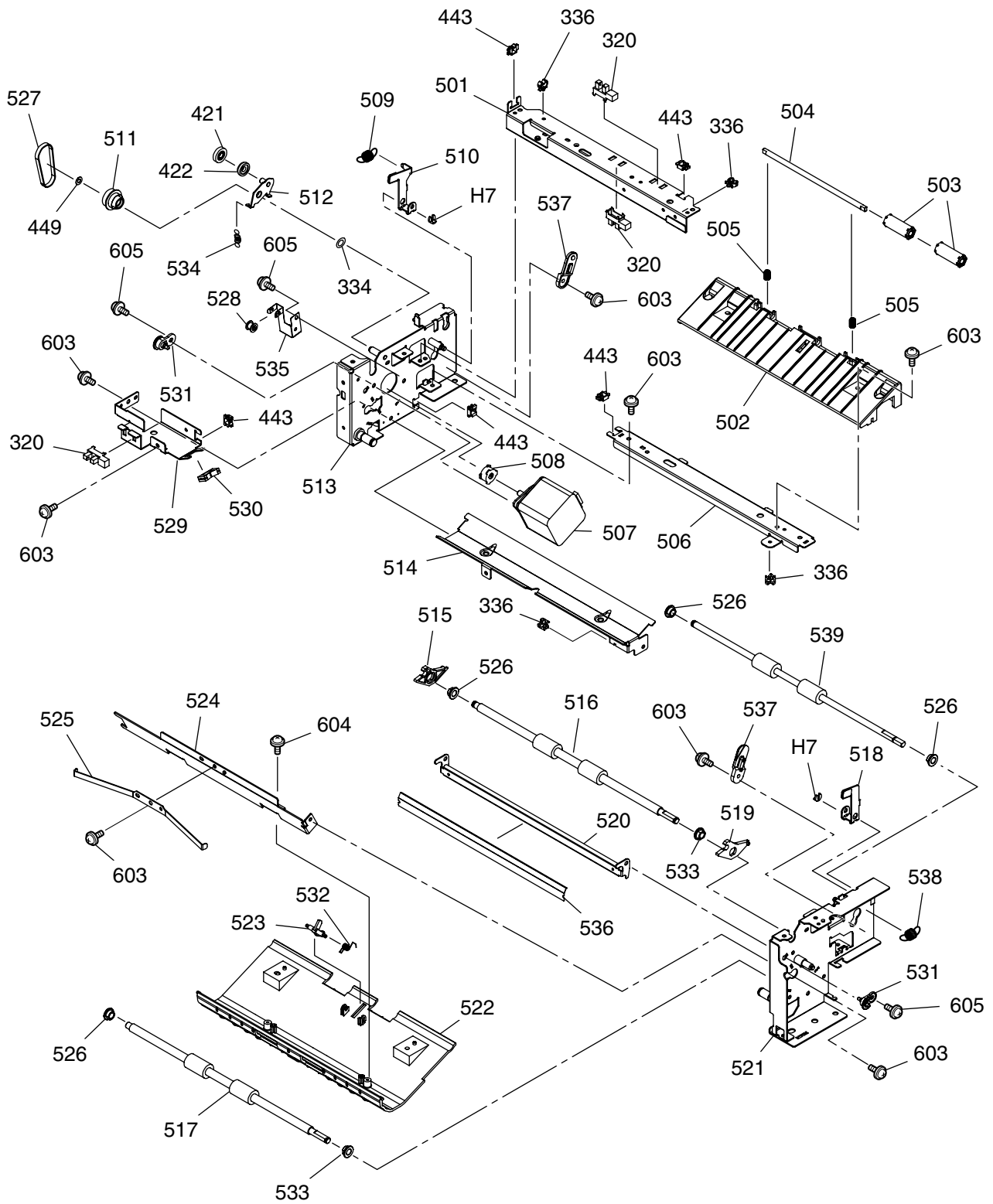
ITEM No.	PART No.	PART NAME	Q'TY / PAGE	Q'TY / PACK	P	I	R	BSI No.	TO	FROM	REMARKS
101	PJGPC0045Z-1	Cover, Panel									
102	PJKEC0007Z	Base, Panel									
103	PJGAC0016Z	Window, LCD									
105	PJBCC0006Z	Key, Stop									
106	PJBCC0009Z	Key, Copy									
107	PJBCC0007Z	Key, Start									
108	PJBCC0008Z	Key, Serial									
109	PJKEC0008Z	Cover, Active Lamp									
110	PJKKC0001Z	Holder, Battery									
111	PJBCC0003Z	Key, Zoom									
112	PJBCC0010Z	Key, Set									
113	PJBCC0011Z	Key, Clear									
114	PJBCC0014Z	Key, Stamp									
115	PJBCC0002Z	Key, Contrast									
116	PJBCC0012Z	Key, Energy									
117	PJBCC0013Z	Key, Function									
118	PJHRC0026Z	Holder, PCB									
119	PJAAC0001Z	Lens, LED									
120	PJBCC0005Z	Key, Letter B									
121	PJBCC0004Z	Key, Letter A									
122	CR2032	Battery									
123	PJWDF2680AZ	LCD Module									
202	PJWPF2680AE	PC Board, PNL 1									
204	PJWPF2682AU	PC Board, PNL 3									
205	PJWPF2681AU	PC Board, PNL 2									
206	PJWPF2683AU	PC Board, PNL 4									
406	DZPA000086	SCREW									
408	XTB3+8GFJ	Screw									



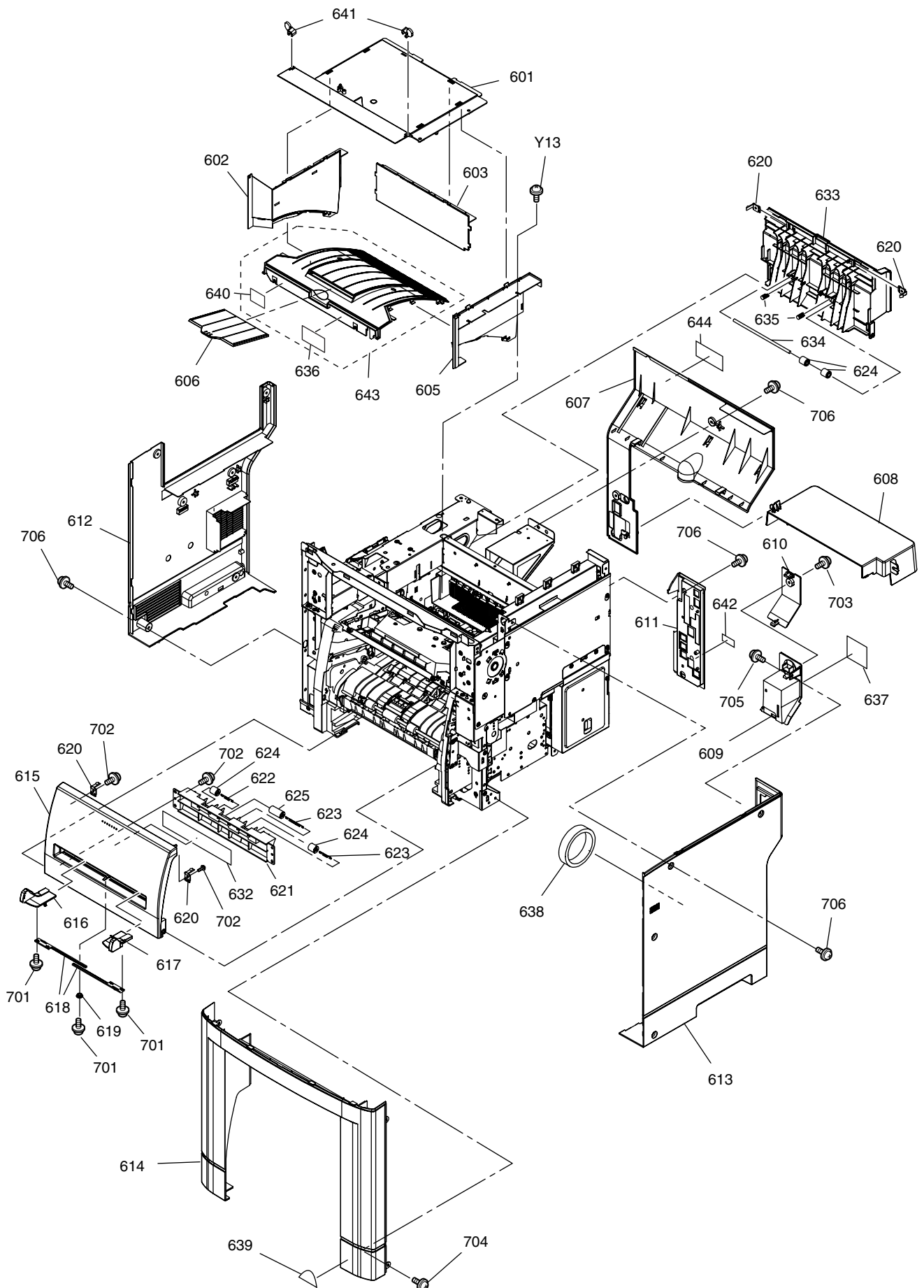
ITEM No.	PART No.	PART NAME	Q'TY / PAGE	Q'TY / PACK	P	I	R	BSI No.	TO	FROM	REMARKS
301	PJKCC0001Z	Cover, ADF									
302	PJUKC0008Z	Guide, Upper Paper									
303	PJHGC0021Z	Sponge									
304	PJBAC0004Y	Lever, Paper Sensor									
305	PJHRC0007Z	Guide, Paper Rear									
306	PJHRC0006Z	Guide, Paper Front									
307	FFPTE2625	Label, Maximum									
308	PJKNC0004Z	Tray									
309	PJKNC0008Z-1	Cover, Tray									
310	PJDGC0010Z	Rack, Paper Guide									
311	PJDGC0009Z	Gear, Paper Guide									
313	PJKNC0003Z	Frame, ADF									
314	PJBVC0062Z	Spring, Stopper Arm									
315	PJBLC0015Z	Arm, Stopper									
316	PJBAC0003Z	Stopper									
317	PJUEC0007Z	Bracket, Guide Cover Rear									
318	PJUEC0005Z	Stay, Open Close									
319	PJUIC0008Z	Bracket, Guide Cover Front									
320	DZAL000211	Sensor, Photo									
321	PJUIC0013Z	Bracket, Paper Transfer Motor									
323	PJDAC0002Z	Pulley, Paper Transfer Motor									
324	L6HBKHGB0003	Motor, Paper Transfer									
325	60S2M344	Belt, Paper Transfer Timing									
326	PJDGC0012Z	Gear, Paper Transfer Pulley									
327	PJDEC0006Z	Roller, Tension									
328	PJUIC0069Z	Bracket, Tension Roller									
329	PJKZC0001Z	Cover, Upper Left									
330	DZPA000098	Screw, Shoulder									
331	FFPFA01561	Screw, Shoulder									
332	PJSCC0007Z	Brush, Antistatic									
333	PJBUC0067Z	Plate, Spring Ground									
334	STW6X1	Poly Slider									
335	PJBVC0012Z	Spring, Tension 2									
336	UAMS-05-2	Clamp									
337	PJGFC0014Z	Label, Function									
407	FFPFJ0041B	Snap Ring									
408	DZPA000086	SCREW									
409	XTB3+8GFJ	Screw									
410	XTW3+6LFJ	Screw									
411	XTW3+8SFJ	Screw									
412	XTB4+8FFJ	Screw									
413	XYN3+F6FJ	Screw									



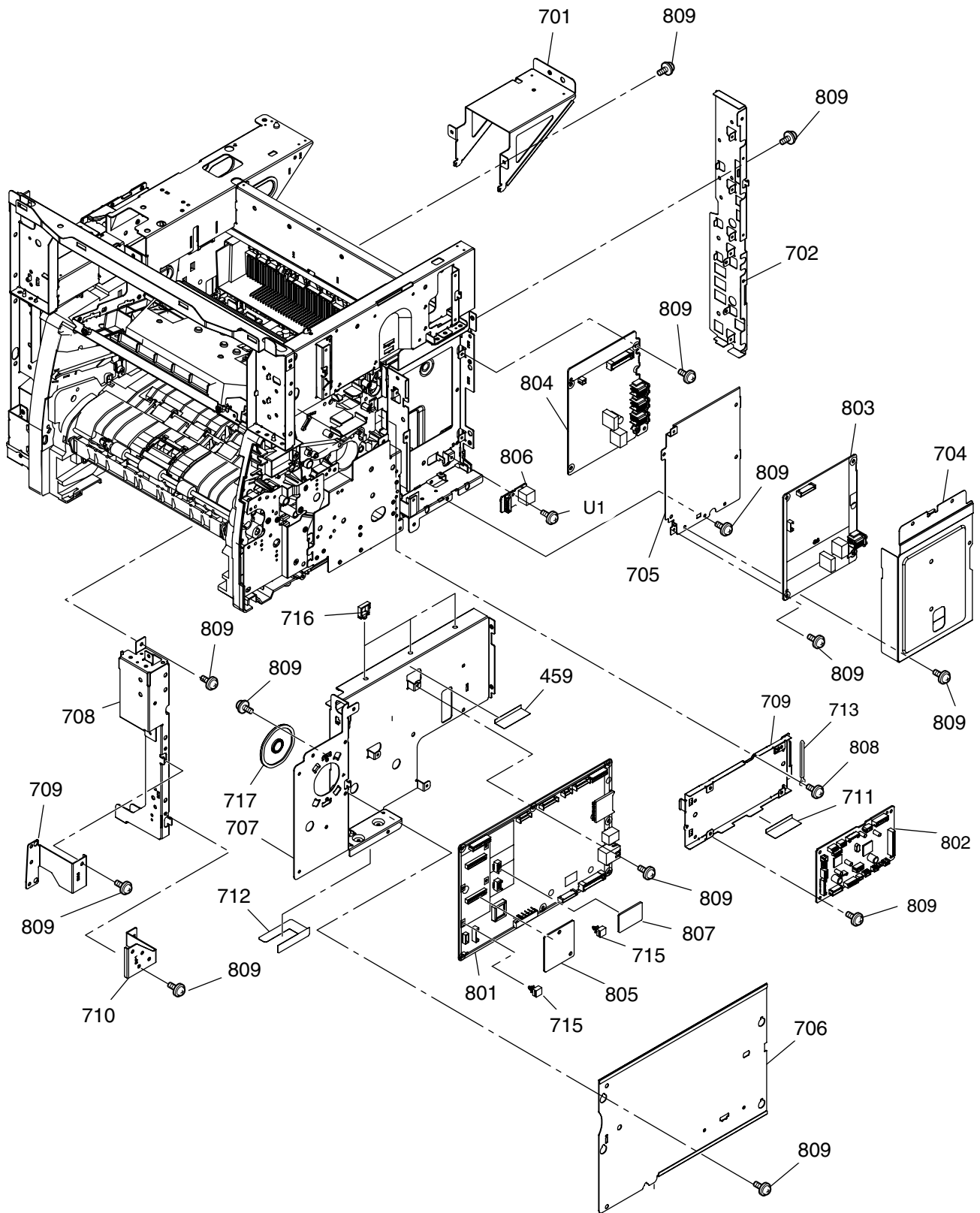
ITEM No.	PART No.	PART NAME	Q'TY / PAGE	Q'TY / PACK	P	I	R	BSI No.	TO	FROM	REMARKS
401	PJHEC0018Z	Pad, ADF									
402	PJUKC0010Z	Cover, Separation Roller									
403	PJDRC0007Z	Roller, Separation									
404	PJUGC0008Z	Shaft, Separation Fulcrum									
405	PJUIC0009Z	Bracket, Separation Roller									
406	PJBVC0009Z	Spring, Separation									
407	PJBUC0016Z	Spring, Ground Plate									
408	PJUKC0009Z	Plate, Separation Guide									
409	PJKPC0002Z	Cover, Rear									
411	PJDBC0002Z	Lever, Feed									
412	PJDEC0032Z	Limiter									
413	PJDIC0003Z	Arm, Connection									
414	PJUIC0067Z	Bracket, Pick Up									
415	PJDYC0009Z	Shaft, Pick Up									
416	PJDRC0005Z	Roller, Pick Up									
417	PJDGC0059Z	Gear, Paper Feed 2									
418	PJDGC0058Z	Gear, Paper Feed 1									
419	PJDRC0004Z	Roller, Feed									
421	PJDGC0005Z	Gear, Paper Feed									
422	PJDEC0005Z	Roller, Pitch									
423	PJUAC0066Z	Frame, Rear Side									
424	PJDJC0032Z	Bushing									
425	PJBWC0005Z	Spring, Rear Damper									
426	PJUKC0006Z	Guide, Paper									
427	PJUAC0065Z	Frame, Front Side									
428	PJDRC0006Z	Roller, Anti Paper Transfer									
429	PJBVC0007Z	Spring, Pressure 1									
430	PJBVC0008Z	Spring, Pressure 2									
431	PJDJC0005Z	Holder, Spring									
432	PJBWC0004Z	Spring, Front Damper									
433	PJDYC0002Z	Shaft, Anti Paper Transfer roller 1									
434	PJDYC0003Z	Shaft, Anti Paper Transfer roller 2									
437	PJDBC0004Z	Lever, Resist Sensor									
438	PJUEC0006Z	Stay, Open Close 2									
439	PJDGC0008Z	Gear, Paper Feed 2									
440	PJWUF2680AU	CIS									
441	PJZFF2680MQ	Assembly, Paper Feed Roller Shaft									
442	PJZFF2681MQ	Assembly, Separation Roller Shaft									
443	EDS0607M	Clamp									
445	PJBWC0028Z	Spring, Pick Up Reset									
446	PJDGC0124Z	Gear, Pick Up 2									
447	PJDGC0123Z	Gear, Pick Up 1									
448	PJHGC0022Z	Sponge 2									
449	PJNW4111Z	Spacer									
450	PJBUC0064Z	Spring, Front Pressure									
451	PJBUC0065Z	Spring, Rear Pressure									
452	PJUKC0076Z	Guide, Paper									
453	DZHP000237	Unit, Stamp									
454	TDS-SY5-25M	Solenoid, Stamp									
456	PJNAC0012Z	Screw, Shoulder									
457	PJDJC0031Z	Bushing									
458	PJBWC0027Z	Spring, Registration Sensor									
459	PJUKC0050Z	Film, Protection 1									
460	PJUQC0005Z	Film, Protection 2									
461	PJUEC0144Z	Sponge 3									
501	FFPFJ0033B	Snap Ring									
502	FFPFJ0041B	Snap Ring									
503	XUC7VM	E-Ring									
504	XTW3+6LFJ	Screw									
505	XTW3+8SFJ	Screw									



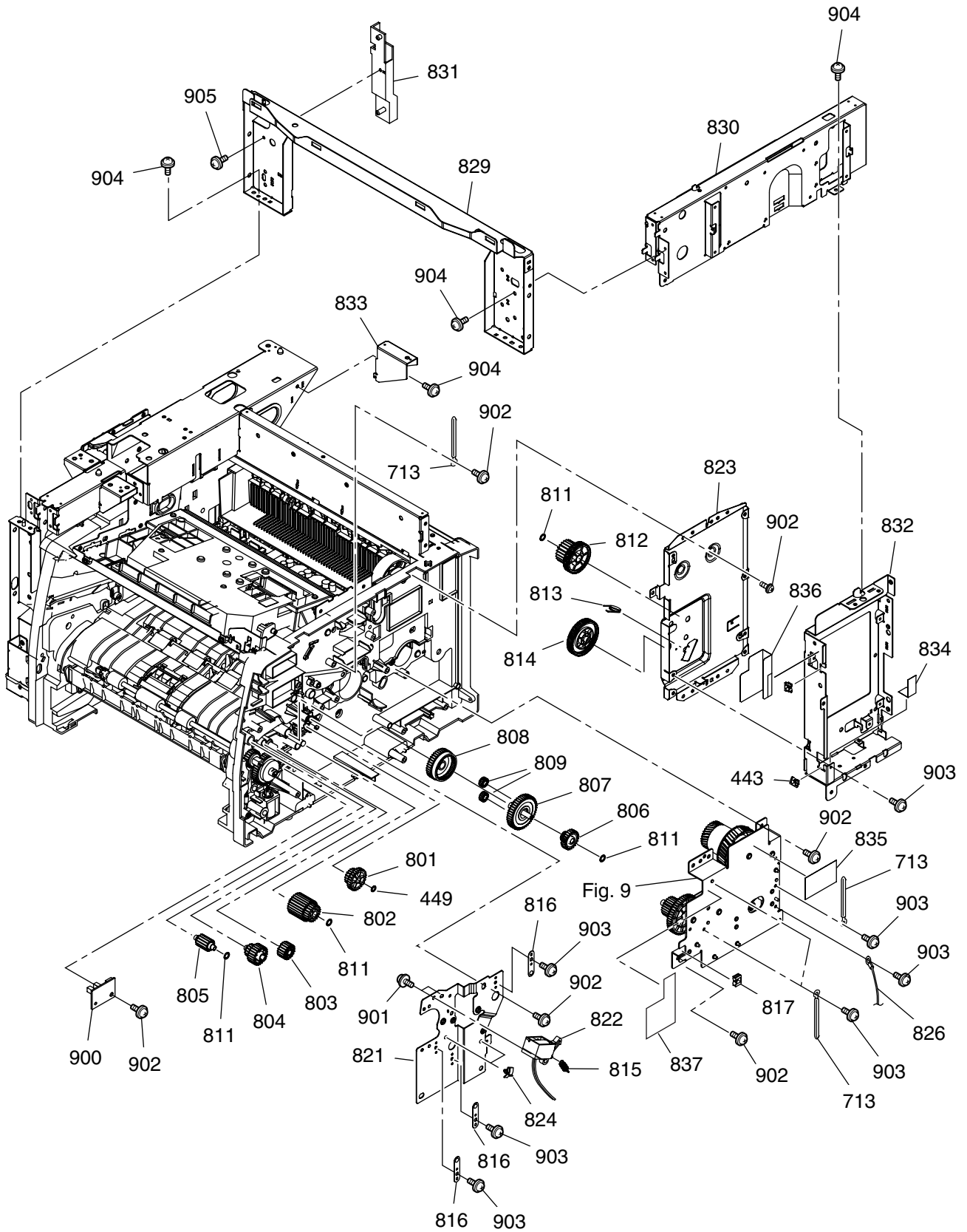
ITEM No.	PART No.	PART NAME	Q'TY / PAGE	Q'TY / PACK	P	I	R	BSI No.	TO	FROM	REMARKS
320	DZAL000211	Sensor, Photo									
334	STW6X1	Poly Slider									
336	UAMS-05-2	Clamp									
421	PJDGC0005Z	Gear, Paper Feed									
422	PJDEC0005Z	Roller, Pitch									
423	PJUAC0066Z	Frame, Rear Side									
449	PJNW4111Z	Spacer									
501	PJUEC0011Z	Stay 2									
502	PJUKC0013Z	Guide, Paper Exit									
503	PJDRC0062Z	Roller, Anti Drive Exit									
504	PJDYC0005Z	Shaft, Anti Drive Exit Roller									
505	PJBVC0010Z	Spring, Paper Exit Pressure									
506	PJUEC0010Z	Stay 1									
507	L6HBHHGB0002	Motor, Paper Feed									
508	PJDAC0001Z	Pulley, Paper Feed Motor									
509	PJBVC0006Z	Spring, Lock Lever									
510	PJUEC0009Z	Lever, Rear Lock									
511	PJDGC0011Z	Gear, Paper Feed Pulley									
512	PJUIC0068Z	Plate, Holding									
513	PJUAC0068Z	Plate, Rear Side									
514	PJUKC0012Z	Guide, Paper									
515	PJUDC0006Z	Holder, Rear Shaft									
516	PJDRC0009Z	Roller, Transfer 1									
517	PJDRC0010Z	Roller, Transfer 2									
518	PJUEC0008Z	Lever, Front Lock									
519	PJUDC0005Z	Holder, Front Shaft									
520	PJUIC0119Z	Guide, Reading									
521	PJUAC0109Z	Plate, Front Side									
522	PJUKC0011Z	Guide, Paper Transfer									
523	PJDBC0003Z	Lever, Document Eject Sensor									
524	PJUEC0012Z	Stay 3									
525	PJBUC0051Z	Spring, Reading Guide Pressure									
526	PJDJC0030Z	Bushing									
527	40S2M120	Belt, Paper Feed Timing									
528	DZLA000237	Roller, Pinch									
529	PJUIC0010Z	Bracket, Open Close Sensor									
530	DZJK000017	Edge Saddle									
531	PJUEC0055Z	Holder, Plate									
532	PJBWC0006Z	Spring, Document Eject Sensor									
533	PJDJC0067Z	Bearing									
534	PJBVC0011Z	Spring, Tension 1									
535	PJBUC0066Z	Spring, Paper Feed Tension									
536	PJHRC0035Z	Sheet, White									
537	PJUIC0234Z	Bracket, Tray									
538	PJBVC0114Z	Spring, Lock Lever 2									
539	PJDRC0035Z	Roller, Exit									
603	XTW3+6LFJ	Screw									
604	XTW3+8SFJ	Screw									
605	XYN3+F6FJ	Screw									



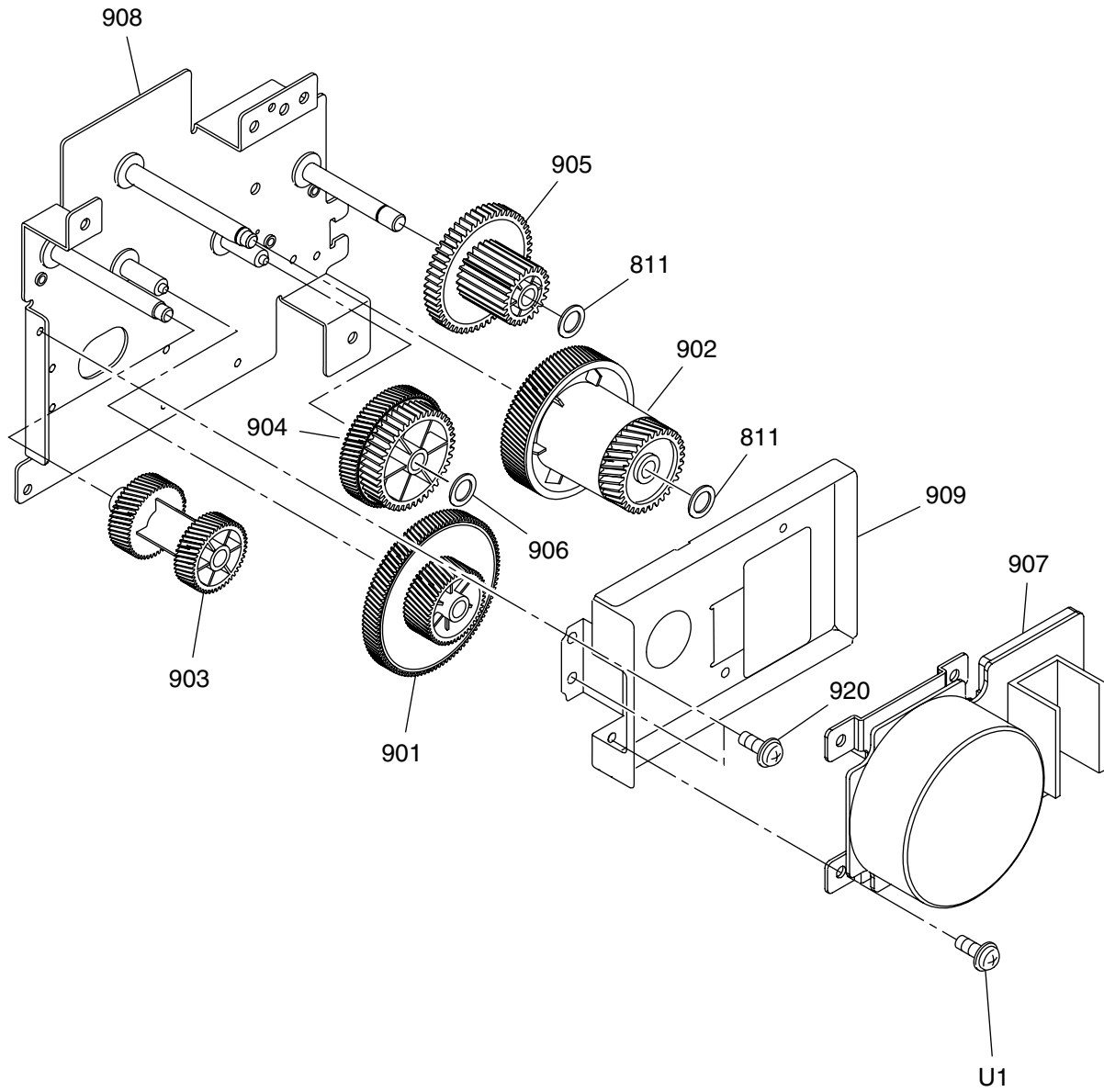
ITEM No.	PART No.	PART NAME	Q'TY / PAGE	Q'TY / PACK	P	I	R	BSI No.	TO	FROM	REMARKS
19	XTB3+8J	Screw									
601	PJKMC0005Z	Cover, Inner Top									
602	PJKMC0008Z	Cover, Inner Left									
603	PJKMC0009Z	Cover, Inner Rear									
605	PJKMC0007Z	Cover, Inner Right									
606	PJKEB0114Z-1	Tray, Sub Paper									
607	PJKMC0002Z	Cover, Rear 2									
608	PJKEB0130Z	Cover, Rear Paper Tray									
609	PJKPC0008Z	Cover, Rear Side									
610	PJKMC0006Z	Cover, SD Memory Card									
611	PJKMC0010Z	Cover, Lower Right Rear									
612	PJKMC0004Z	Cover, Left									
613	PJKMC0003Z	Cover, Right									
614	PJKMC0001Z	Cover, Front 2									
615	PJKEC0009X	Cover, Front									
616	PJHRC0037Z	Support, Left Paper									
617	PJHRC0036Z	Support, Right Paper									
618	PJHRB0045Z	Rack, Guide									
619	PJHRB0046Z	Gear, Paper Guide Pinion									
620	PJBAB0011Z	Hook									
621	PJYK4P7305M	Assembly, Pinch Roller Holder									
622	PJDSB0034Z	Spring, Pinch Roller									
623	PJDSB0145Z	Spring, Cleaning Roller									
624	PJDRB0017Z	Roller, Pinch									
625	PJDRB0093Z	Roller, Cleaning									
632	DZNK005395	Label, Laser Caution									
633	PJYKF2300AU	Cover, Rear									
634	PJDFB0008Y	Shaft, Roller									
635	PJDSB0112Z	Spring									
636	PJGFC0006Z	Label, Setting									
637	PJGFC0030Z	Label, SD Memory Card									
638	PJKPC0032Z	Sponge, Speaker									
639	FFPTE2650	Label, Energy Star									
640	PJQTB0006Z	Label, Hot Surface Caution									
641	PJUFC0130Z	Stopper, Tray									
642	PJQHC0060Z	Label, G3 Line									
643	PJKZC0034Z	Assembly, Tray Cover									
701	XTW26+8SFJ65	Screw									
702	XTW3+8SFJ7	Screw									
703	XTB3+8JFN	Screw									
704	XTW3+6LFJ	Screw									
705	XTW3+8SFJ	Screw									
706	DZPA000086	Screw									

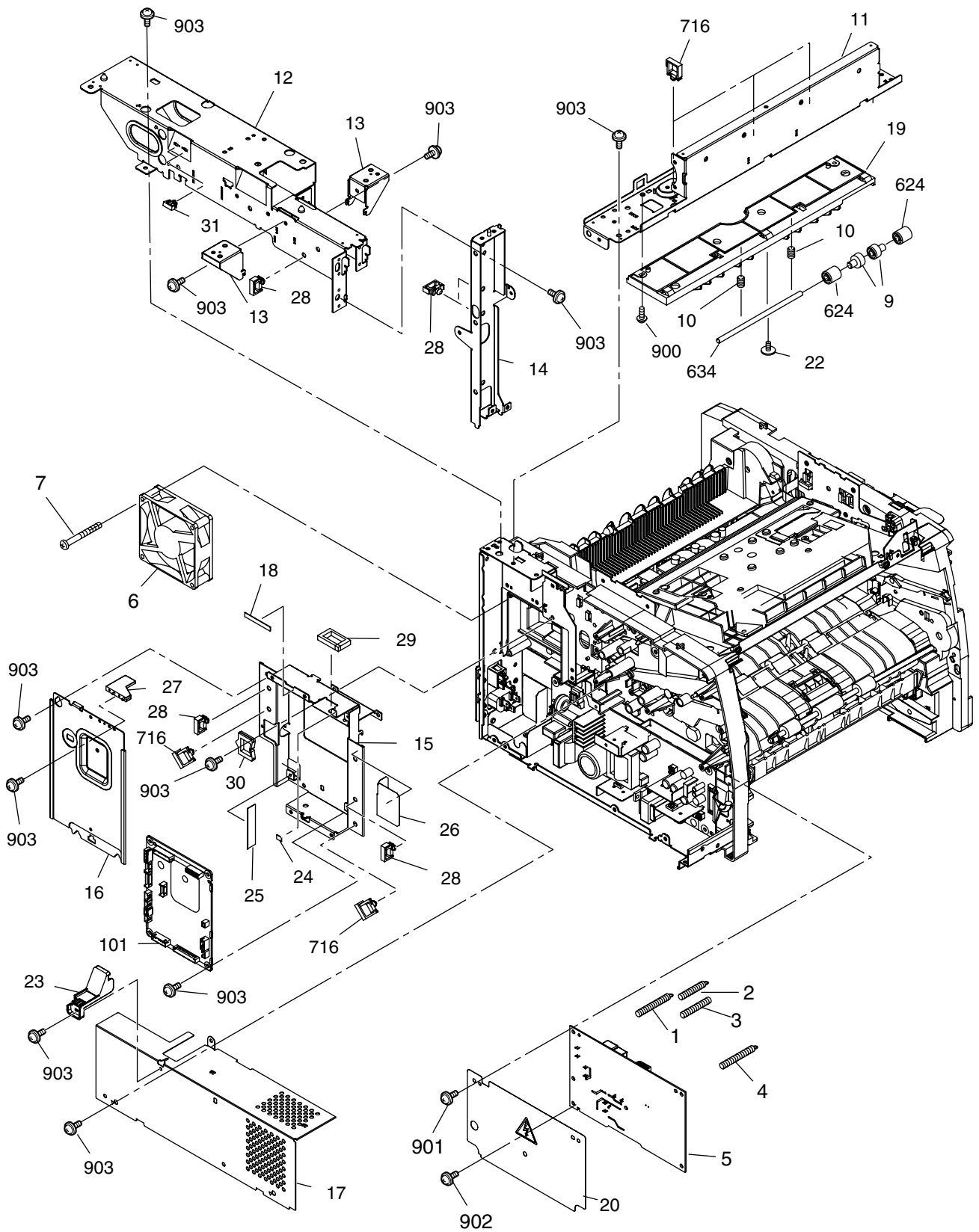


ITEM No.	PART No.	PART NAME	Q'TY / PAGE	Q'TY / PACK	P	I	R	BSI No.	TO	FROM	REMARKS
701	PJUAC0013Z	Bracket, ADF Tray									
702	PJMCC0005Z	Plate, Interface									
704	PJMCC0008Z	Case, G3 Option									
705	PJMCC0004Z	Cover, Fax									
706	PJMCC0003Z	Cover, SC									
707	PJMCC0002Z	Bracket, SC									
708	PJUAC0009Z	Supporter, Side									
709	PJUEC0001Z	Bracket, Support 1									
710	PJUEC0002Z	Bracket, Support 2									
711	PJUKC0050Z	Sheet, Protection									
712	PJHEC0051Z	Film, SC									
713	PJMDB0156Z	Clamp									
715	DZJH000084	Support, Locking									
716	RBWS-3N	Clamp									
717	PJWPF268HAU	Assembly, Speaker									
718	PJULC0042Z	Bracket, Shaft									
719	PJWC1P7305M	Assembly, Engine Board Shield Base									
720	PJHSC0021Z	Gasket									
721	PJHSC0022Z	Gasket									
722	PJHSC0023Z	Gasket									
723	PJHSC0024Z	Gasket									
724	PJMCC0064Z	Plate, Shield SC									
725	PJBC0027Z	Plate, Spring Ground									
801	PJWPF268EUZ	PC Board, SC									
802	PJWPF268GAU	PC Board, Engine Control									
803	PJWPF268DAU	PC Board, G3									
804	PJWPF268BAU	PC Board, FXB									
805	DZEC103692	PC Board, FRM8									
806	PJWP5P7305M	PC Board, 2nd Paper Feed Module I/F									
807	PJWP3P7100M1	PC Board, Low Toner Sensor									
808	XTW3+8SFJ7	Screw									
809	XTW3+6LFJ7	Screw									
810	XTW3+6LFJ	Screw									

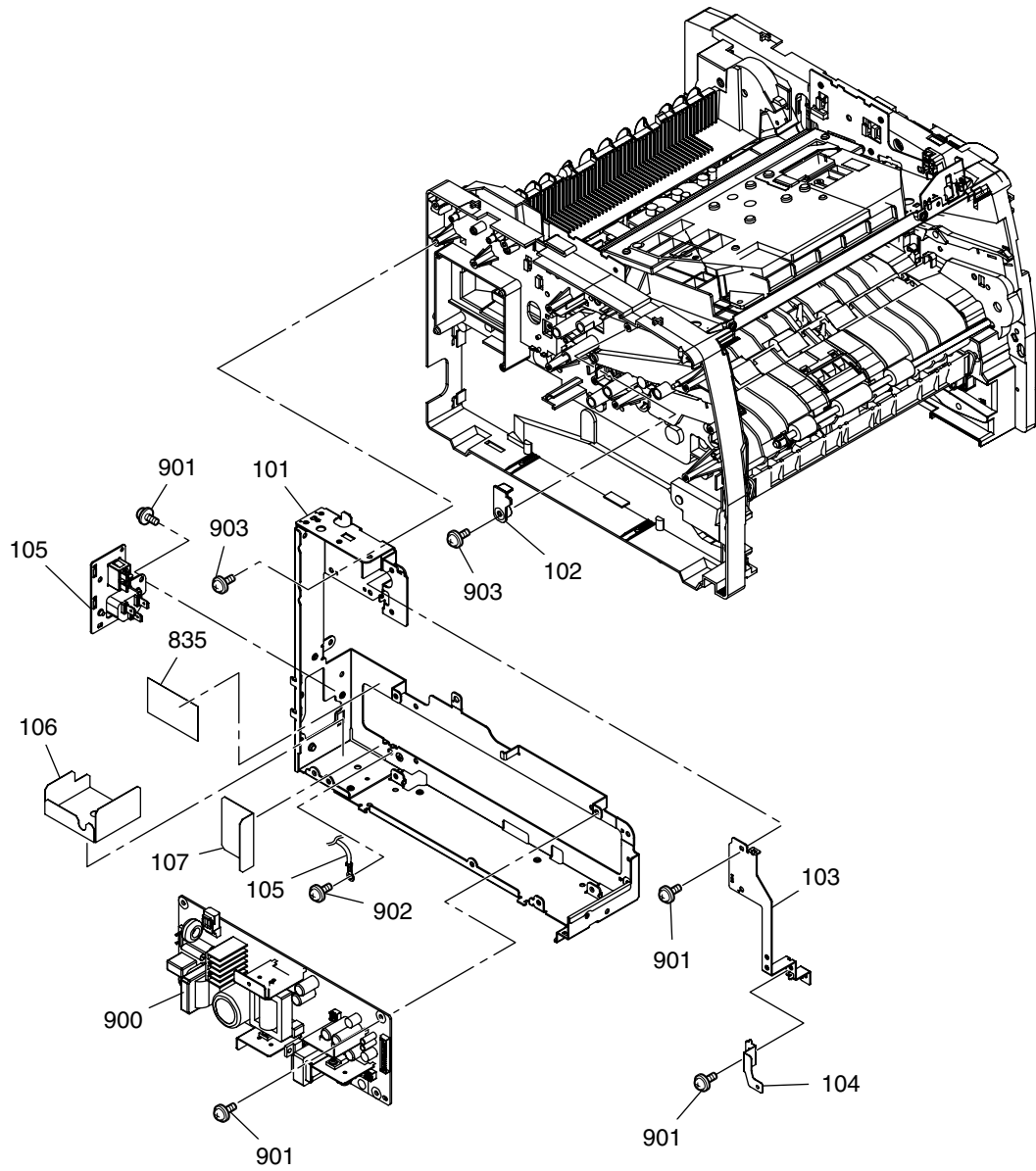


ITEM No.	PART No.	PART NAME	Q'TY / PAGE	Q'TY / PACK	P	I	R	BSI No.	TO	FROM	REMARKS
443	EDS0607M	Clamp									
449	PJNW4111Z	Spacer									
713	PJMDB0156Z	Clamp									
801	PJDGB0052Z	Gear, ADU Drive									
802	PJDGB0070Z	Gear, Registration Drive									
803	PJDGB0072Z	Gear, Idle Z19									
804	PJDGB0071Z	Gear, Double Teeth									
805	PJDGB0073Z	Gear, Idle Z14									
806	PJDGB0028Z	Gear, Ratchet									
807	PJDGB0043Z	Gear, Registration Arm									
808	PJDGB0042Z	Gear, Registration Internal									
809	PJDGB0029Z	Gear, Planetary									
811	PJNW525Z	Spacer									
812	PJDGB0051Z	Gear, Fuser Drive									
813	PJDSB0039Z	Spring, Gear Tension									
814	PJDGB0204Z	Gear, Intermediate Fuser									
815	PJDSB0211Z	Spring, Pick Up									
816	PJUSB0025Z	Spring, Ground									
817	PJHRA0316Z	Guard, Edge									
821	PJZC2P7305M	Bracket, Gear Support									
822	PJWM1P7305M	Assembly, Registration Solenoid									
823	PJZHP7105M	Bracket, Fuser Drive Gear									
824	PJHRB0327Z	Clamp									
825	DZJK000068	Clamp									
826	PJJTC0002Z	Cable, Ground									
827	PJHRB0712Z	Edge Saddle									
829	PJUAC0003Z	Stay, Front									
830	PJUAC0005Z	Stay, Right Side									
831	PJMEC0033Z	Guide, ADF Harness									
832	PJUAC0007Z	Bracket, Right Side									
833	PJUAC0012Z	Bracket, Rear ADF									
834	PJHEC0046Z	Film, FXB									
835	PJHEC0045Z	Film, NFL 3									
836	PJHEC0047Z	Sheet, FXB 2									
837	PJHEC0060Z	Film, Drive Gear Bracket									
900	PJWP6P7305M	PC Board, No Paper Sensor									
901	XYN3+F5FJ	Screw									
902	XTW3+8SFJ7	Screw									
903	XTW3+6LFJ7	Screw									
904	XTW3+6LFJ	Screw									
905	XTW3+8SFJ	Screw									

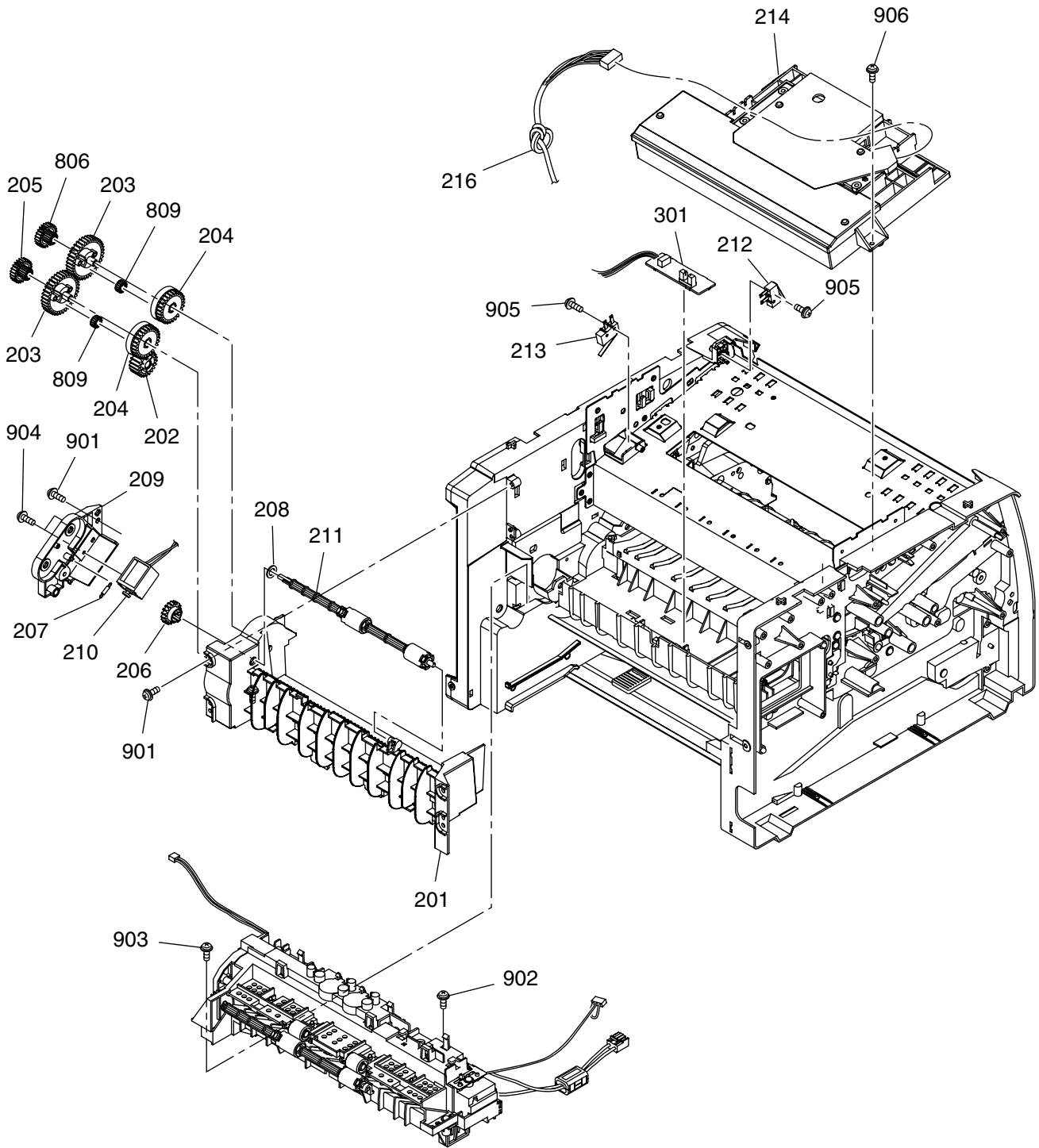




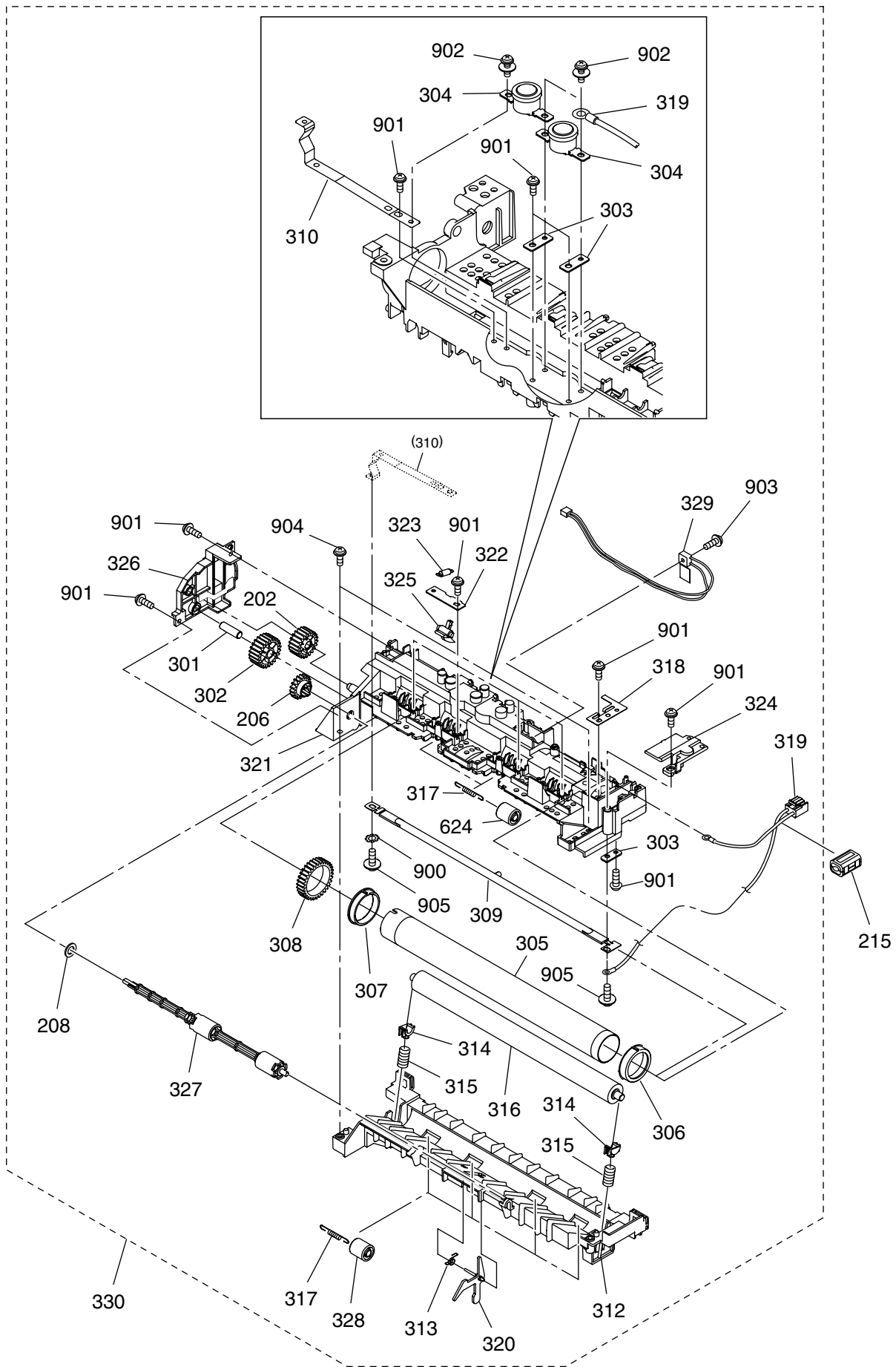
ITEM No.	PART No.	PART NAME	Q'TY / PAGE	Q'TY / PACK	P	I	R	BSI No.	TO	FROM	REMARKS
1	PJDSB0033Z	Spring, Grid									
2	PJDSB0148Z	Spring, Charge									
3	PJDSB0009Y	Spring, OPC									
4	PJDSB0149Z	Spring, Developer									
5	N0GG4E000002	HVPS									
6	L6FALEGK0009	Motor, Fan									
7	XTW3+35SFJ7	Screw									
9	PJDRB0059Z	Roller, Sub									
10	PJDSB0019Z	Spring									
11	PJUAC0004Z	Stay, Rear									
12	PJUAC0006Z	Stay, Left Side									
13	PJUAC0011Z	Bracket, Front ADF									
14	PJUAC0010Z	Supporter, Front Left Side									
15	PJMCC0009Z	Bracket, SDR									
16	PJMCC0011Z	Cover, SDR									
17	PJMCC0006Z	Cover, LVPS									
18	PJHSC0003Z	Gasket, 40mm									
19	PJHRB0659Y	Guide, Exit Paper									
20	PJQTB0263Z	Sheet, HVPS Insulation									
22	PJHE5065Y	Screw									
23	PJHXC0004Z	Cover, Fuser Harness									
24	PJHSC0004Z	Gasket, 5mm									
25	PJHEC0055Z	Film, SDR 1									
26	PJRAC0004Z	Film, SDR 2									
27	PJUEC0134Z	Holder, CIS Core									
28	RBWS-1N	Clamp									
29	EDS-17L	Edge Saddle									
30	EDS-1717U	Edge Saddle									
31	RLMC-05T-V0	Clamp									
101	PJWPF2689AU	PC Board, SDR									
624	PJDRB0017Z	Roller, Pinch									
634	PJDFB0008Y	Shaft, Roller									
716	RBWS-3N	Clamp									
900	XTW3+8LFJ7	Screw									
901	XTW3+8SFJ7	Screw									
902	XYC3+FF8FJ	Screw									
903	XTW3+6LFJ	Screw									
905	XTB26+6JFJ	Screw									



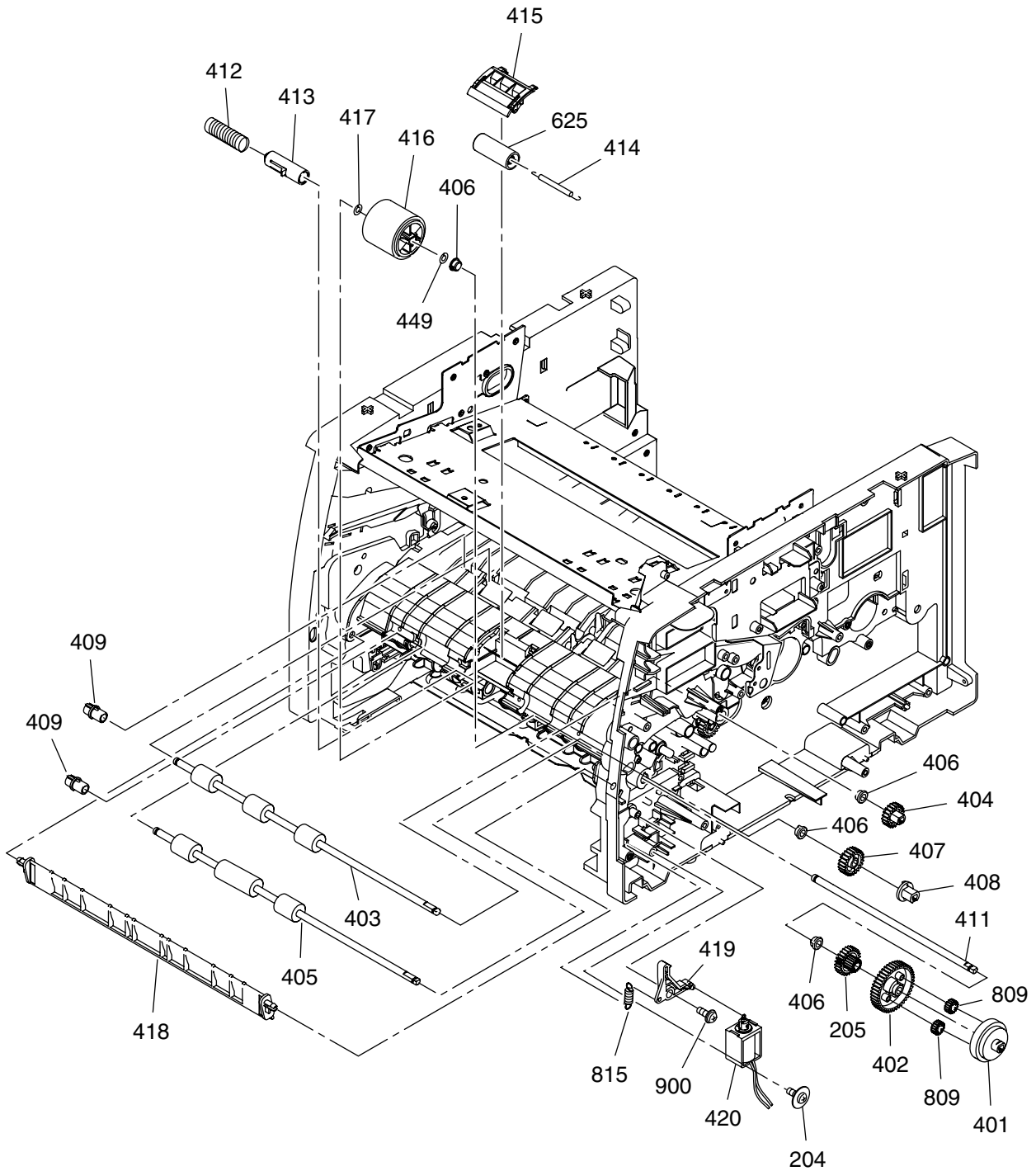
ITEM No.	PART No.	PART NAME	Q'TY / PAGE	Q'TY / PACK	P	I	R	BSI No.	TO	FROM	REMARKS
101	PJUAC0008Z	Bracket, Left Side									
102	PJMEC0044Z	Holder, Harness									
103	PJMCC0007Z	Plate, joint									
104	PJMCC0010Z	Bracket, earth									
105	PJWS00GW0MQ1	Assembly, Inlet									
106	PJHEC0017Z	Film, NFL 1									
107	PJHEC0027Z	Film, NFL 2									
835	PJHEC0045Z	Film, NFL 3									
900	NOAB3GG00002	LVPS									
901	XTW3+6LFJ	Screw									
902	XYN4+F8FJ	Screw									
903	XTW3+8SFJ	Screw									



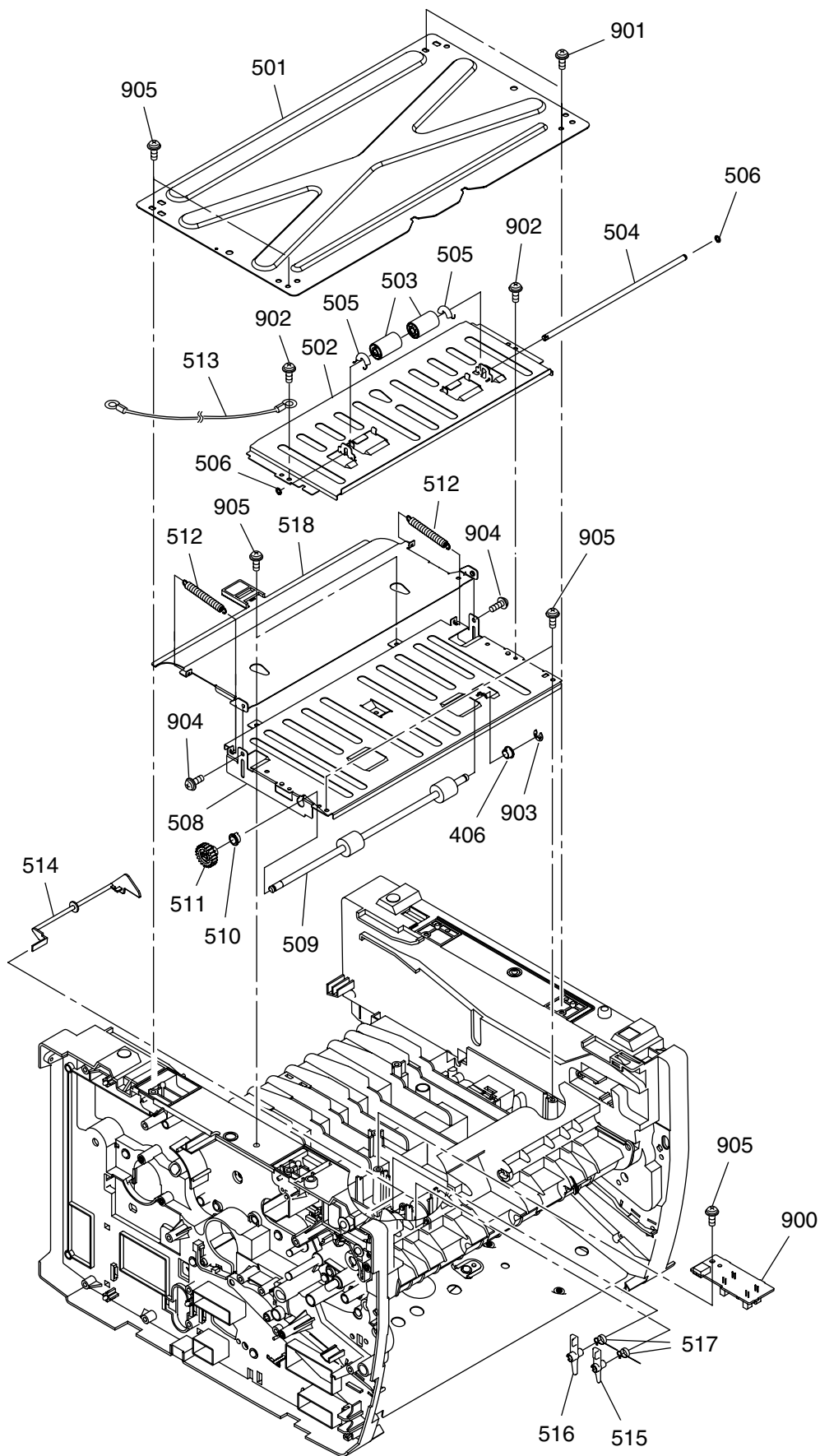
ITEM No.	PART No.	PART NAME	Q'TY / PAGE	Q'TY / PACK	P	I	R	BSI No.	TO	FROM	REMARKS
201	PJZBP7305M	Assembly, Upper Exit Roller Holder									
202	PJDGB0024Z	Gear, Z21 Fuser									
203	PJDGB0026Z	Gear, Z36 Upper Exit Roller Drive									
204	PJDGB0025Z	Gear, Internal									
205	PJDGB0027Z	Gear, Black Ratchet									
206	PJDGB0203Z	Gear, Upper Exit Roller Drive									
207	PJDSB0016Z	Spring, Ratchet									
208	PJNW721Z	Poly Slider									
209	PJZC3P7305M	Assembly, Upper Exit Roller Holder Cover									
210	L9AAACEB0004	Solenoid, Upper Exit Roller with Plunger									
211	PJZR2P7305M1	Assembly, Upper Exit Roller									
212	PJWS1P7305M	Switch, Front Door Safety Interlock									
213	PJWS2P7305M	Switch, OPC Drum Unit Interlock									
214	PJWEP7305M1	LSU									
215	J0KF00000046	Ferrite Core									
216	K5AT281613	Core									
301	PJWP7P7305M	PC Board, Paper Exit/ADU Paper Jam Sensor									
806	PJDGB0028Z	Gear, Ratchet									
809	PJDGB0029Z	Gear, Planetary									
901	XTW3+8SFJ7	Screw									
902	XTW3+6LFJ7	Screw									
903	XTW3+12SFJ7	Screw									
904	XSN3+4FJ	Screw									
905	XTB2+12JFJ	Screw									
906	PJNAC0003Y	Screw									



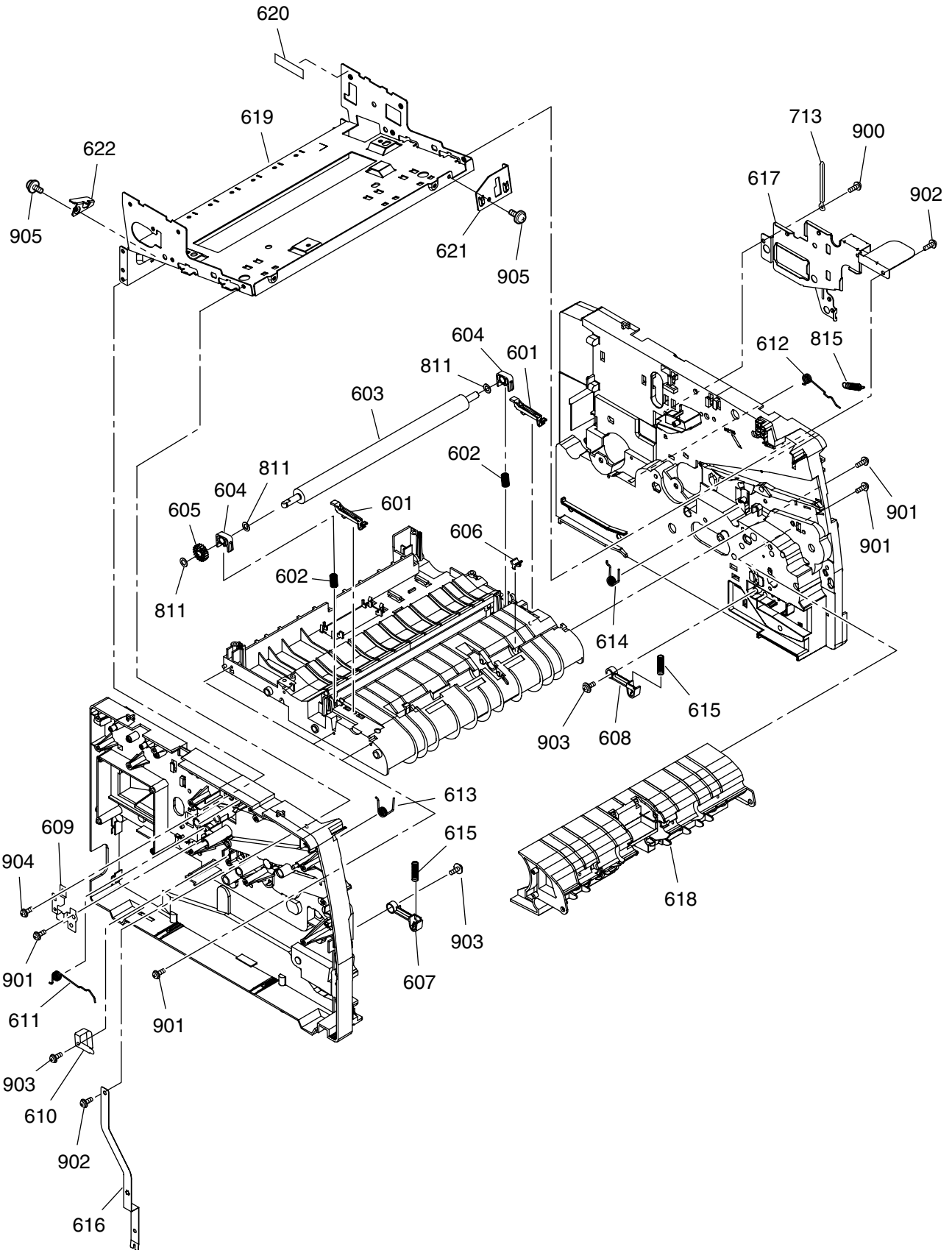
ITEM No.	PART No.	PART NAME	Q'TY / PAGE	Q'TY / PACK	P	I	R	BSI No.	TO	FROM	REMARKS
202	PJDGB0024Z	Gear, Z21 Fuser									
206	PJDGB0203Z	Gear, Upper Exit Roller Drive									
208	PJNW721Z	Poly Slider									
215	J0KF00000046	Ferrite Core									
301	PJDFB0122Y	Shaft, Fuser Drive									
302	PJDGB0023Z	Gear, Z24 Fuser									
303	PJMDB0018Y	Plate, Lead Wire									
304	L2AA00000090	Thermostat									
305	PJDRB0091Z	Roller, Heat									
306	PJDJB0008Z	Bushing, Left Heat Roller									
307	PJDJB0009Z	Bushing, Right Heat Roller									
308	PJDGB0021Z	Gear, Heat Roller									
309	A4DP3L000003	Lamp, Halogen									
310	PJMDB0257Y	Plate, Lead Wire									
312	PJHRB0636Z	Base, Fuser Unit									
313	PJDSB0015Z	Spring, Paper Jam Sensor Lever									
314	PJDJB0010Z	Bushing, Pressure Roller									
315	PJDSB0205Z	Spring, Pressure Roller									
316	PJDRB0092Z	Roller, Pressure									
317	PJDSB0018Z	Spring, Pinch Roller A									
318	PJMDB0019Y	Ground, Fuser									
319	PJJRB1025Y	Cable, Fuser									
320	PJHRC0221Z	Lever, Paper Jam Sensor									
321	PJHRB0635Z	Holder, Heat Roller									
322	PJMDB0253Y	Plate, Separator									
323	PJDSB0206Z	Spring, Separator									
324	PJHRB0638Z	Cover, Left Fuser									
325	PJHR9224Z	Separator									
326	PJZC3P7100M	Assembly, Side Fuser Cover									
327	PJZR3P7100M	Assembly, Lower Exit Roller									
328	PJZRP7305M	Assembly, Cleaning Roller									
329	L2AA00000088	Thermistor									
330	PJZSF2300AU1	Assembly, Fuser Unit									
624	PJDRB0017Z	Roller, Pinch									
900	XWC3B	Washer, Star									
901	XTW3+8SFJ7	Screw									
902	XYC3+FF8FJ	Screw									
903	XTW3+12SFJ7	Screw									
904	XTW3+12SFNK7	Screw									
905	XYC3+FF6FJ	Screw									



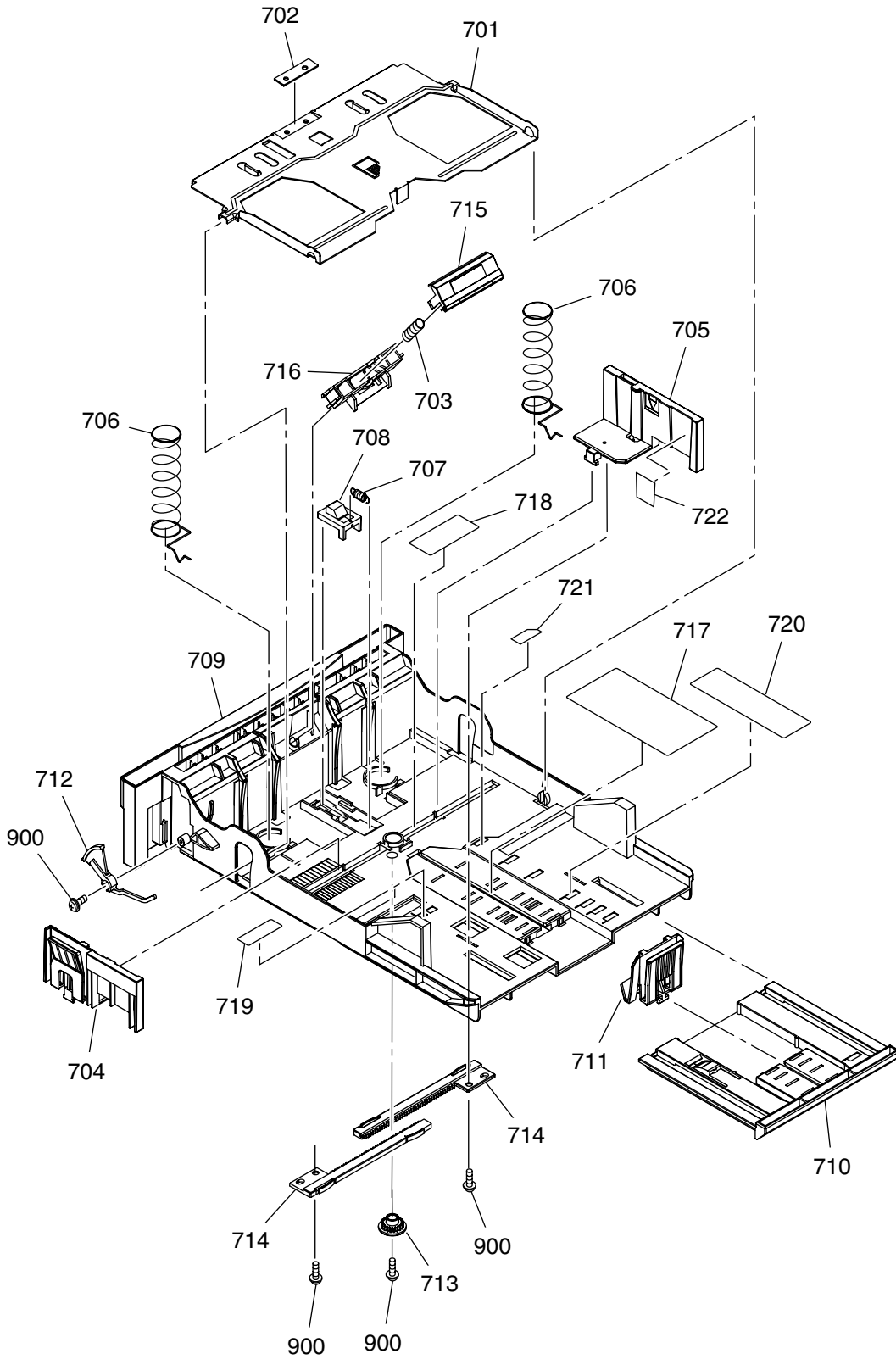
ITEM No.	PART No.	PART NAME	Q'TY / PAGE	Q'TY / PACK	P	I	R	BSI No.	TO	FROM	REMARKS
204	PJHE5065Y	Screw									
205	PJDGB0027Z	Gear, Black Ratchet									
401	PJDGB0040Z	Gear, Pick Up Internal									
402	PJDGB0041Z	Gear, Pick Up Arm									
403	PJDRB0021Y	Roller, Registration									
404	PJDGB0038Z	Gear, Registration Roller									
405	PJDRB0022Y	Roller, Paper Feed									
406	PJDJ05041RZ	Bearing, R5									
407	PJDGB0039Z	Gear, Paper Feed Roller									
408	PJHRB0070Z	Wheel, Drive									
409	PJDJB0019Z	Bushing									
411	PJDFB0163Y	Shaft, Pick Up Roller									
412	PJDSB0207Z	Spring, Pick Up Holder									
413	PJHRB0640Z	Adapter, Pick Up Holder									
414	PJDSB0208Z	Spring, Dust Scraper									
415	PJZC1P7305M	Assembly, Dust Scraper Cover									
416	PJZR1P7305M	Roller, Pick Up									
417	PJNW820Z	Washer, Plastic									
418	PJZEP7305M	Guide, Sub. Paper									
419	PJZE1P7100M	Assembly, Pick Up Lever									
420	PJWMP7305M1	Assembly, Pick Up Solenoid									
449	PJNW4111Z	Spacer									
625	PJDRB0093Z	Roller, Cleaning									
809	PJDGB0029Z	Gear, Planetary									
815	PJDSB0211Z	Spring, Pick Up									
900	XTW3+8SFJ	Screw									

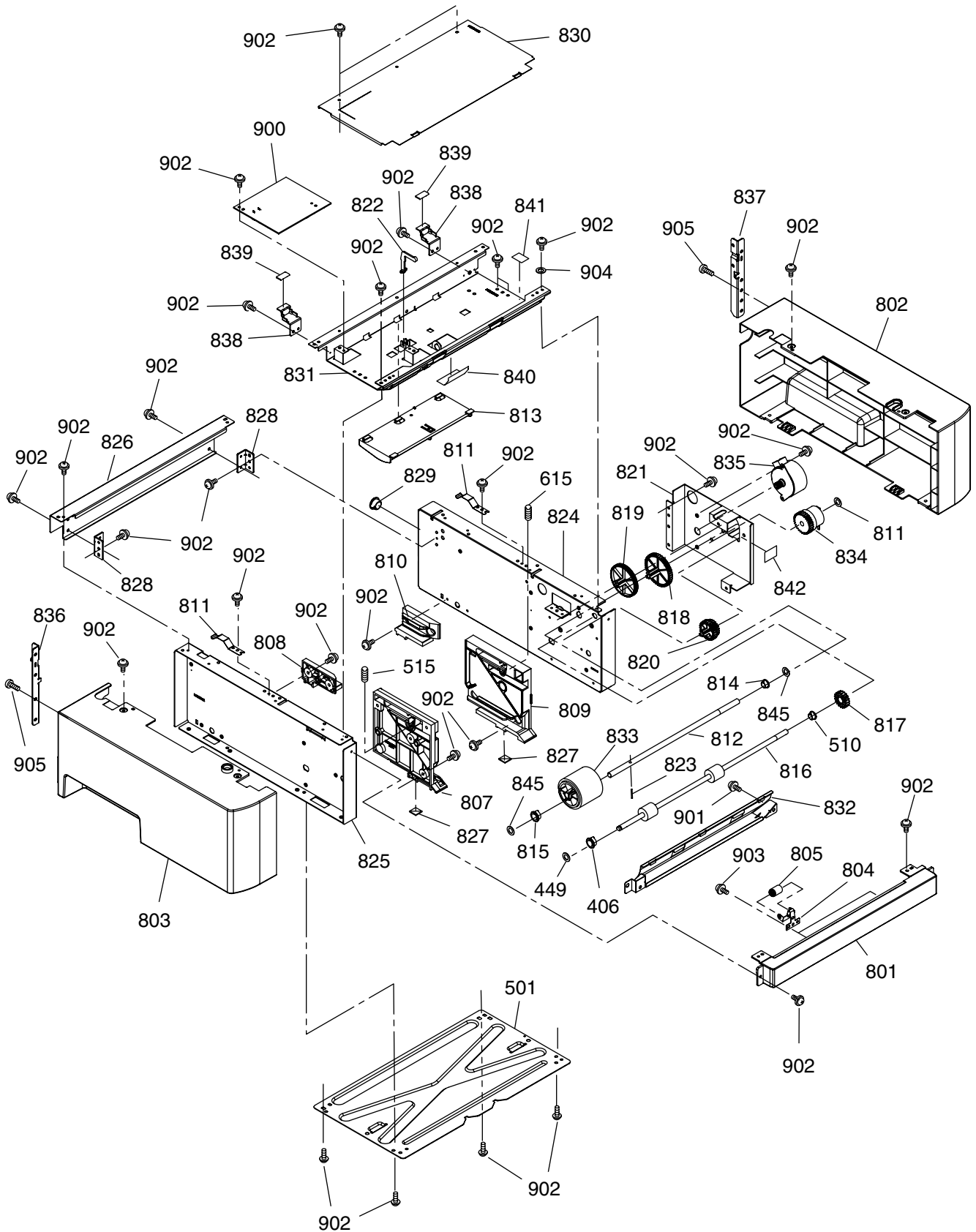


ITEM No.	PART No.	PART NAME	Q'TY / PAGE	Q'TY / PACK	P	I	R	BSI No.	TO	FROM	REMARKS
406	PJDJ05041RZ	Bearing, R5									
501	PJUAB0024X	Plate, Lower Base									
502	PJMDB0020Y	Plate, ADU Pinch Roller									
503	PJDRB0018Z	Roller, ADU Pinch									
504	PJDFB0009Z	Shaft, A/D Roller									
505	PJDSB0041Z	Spring, Pinch Roller									
506	PJNW317Z	Poly Slider									
508	PJUAB0005X	Plate, ADU Registration Roller									
509	PJDRB0014Y	Shaft, ADU Registration Roller									
510	PJDJ05011CZ	Bearing, C5									
511	PJDGB0030Z	Gear, A/D Unit Union									
512	PJDSB0017Z	Spring									
513	PJJTCC014Z	Cable									
514	PJHRB0320Z	Lever, No Paper Sensor									
515	PJHRB0075Z	Lever, Registration Sensor									
516	PJHRB0076Z	Lever, Paper Detect Sensor									
517	PJDSB0035Z	Spring, Registration									
518	PJZUP7305M	Pan, Jam Release									
900	PJWP2P7305M1	PC Board, Registration/Paper Detect Sensor									
901	XTW3+8LFJ7	Screw									
902	XTW3+6LFJ7	Screw									
903	XUC4VW-V	E-Ring									
904	PJNEB0003X	Screw									
905	XTW3+8SFJ7	Screw									

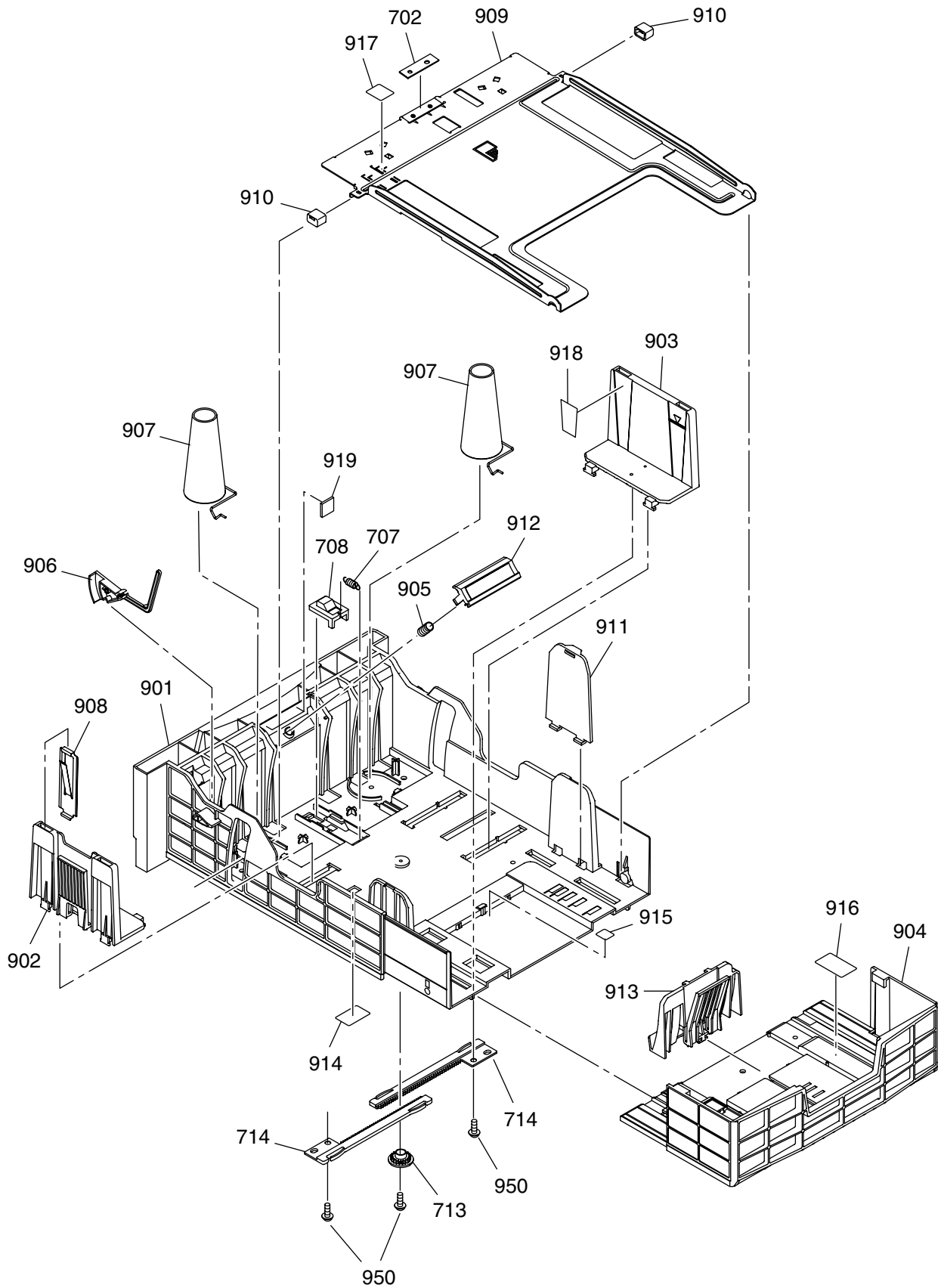


ITEM No.	PART No.	PART NAME	Q'TY / PAGE	Q'TY / PACK	P	I	R	BSI No.	TO	FROM	REMARKS
601	PJHRB0324Z	Holder, Transfer Roller									
602	PJDSB0040Z	Spring, Transfer									
603	PJDRB0081Z	Roller, Bias Transfer									
604	PJHRB0078Z	Bushing									
605	PJDGB0057Z	Gear, Transfer									
606	PJJOB0020Z	Bearing, U									
607	PJHRB0038Z	Arm, Left Pressure									
608	PJHRB0037Z	Arm, Right Pressure									
609	PJUSB0011X	Plate, Ground									
610	PJUSB0008Z	Plate, Transfer Bias Roller									
611	PJDSB0026Z	Spring, Left OPC									
612	PJDSB0008Z	Spring, Right OPC									
613	PJDSB0043Z	Spring, Left Registration									
614	PJDSB0010Z	Spring, Right Registration									
615	PJDSB0024Z	Spring, Paper Tray Guide									
616	PJMCB0070Z	Plate, Ground 1									
617	PJMCB0068Y	Plate, Ground 2									
618	PJZCP7305M	Assembly, Paper Chute									
619	PJUAB0037Z	Chassis, Upper									
620	PJHEC0015Z	Film									
621	PJURC0029Z	Plate, Guard									
622	PJUKC0075Z	Plate, Rail									
713	PJMDB0156Z	Clamp									
811	PJNW525Z	Spacer									
815	PJDSB0211Z	Spring, Pick Up									
900	XTW3+8LFJ7	Screw									
901	XTW3+8SFJ7	Screw									
902	XTW3+6LFJ7	Screw									
903	XTW3+8SFJ	Screw									
904	XYC3+FF6FJ	Screw									
905	XTW3+6LFJ	Screw									



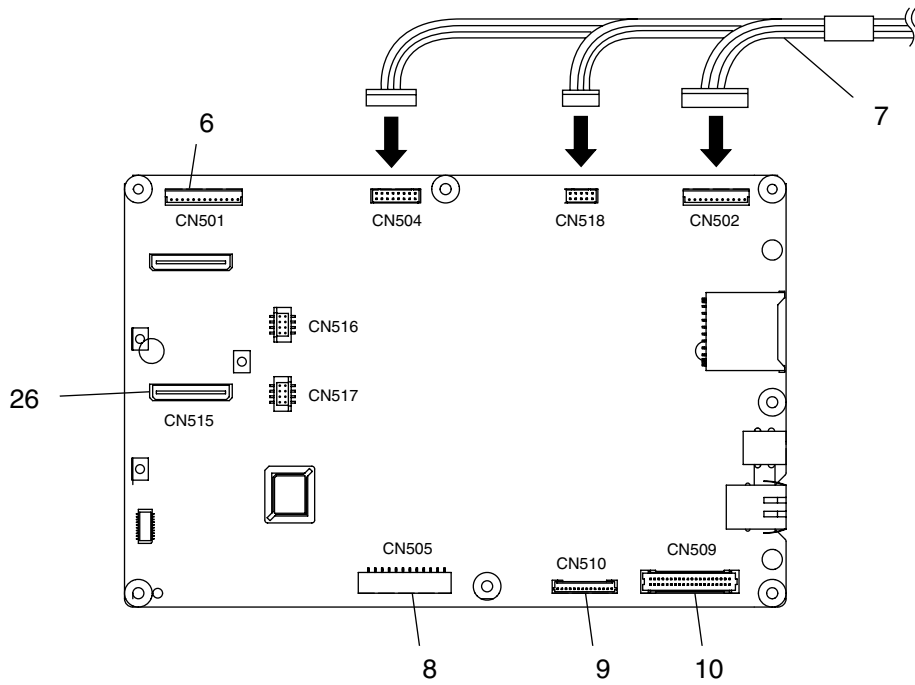


ITEM No.	PART No.	PART NAME	Q'TY / PAGE	Q'TY / PACK	P	I	R	BSI No.	TO	FROM	REMARKS
406	PJDJ05041RZ	Bearing, R5									
449	PJNW4111Z	Spacer									
501	PJUAB0024X	Plate, Lower Base									
510	PJDJ05011CZ	Bearing, C5									
615	PJDSB0024Z	Spring, Paper Tray Guide									
801	PJKEB0019Z	Cover, Front									
802	PJKEB0097Z	Cover, Right									
803	PJKEB0098Z	Cover, Left									
804	PJUSB0027Z	Plate, Pinch Roller									
805	PJDRA0051Z	Roller, Pinch									
807	PJHRB0082Z	Guide, Left Front									
808	PJHRB0083Z	Guide, Left Rear									
809	PJHRB0080Z	Guide, Right Front									
810	PJHRB0081Z	Guide, Right Rear									
811	PJUSB0080Z	Spring, Ground									
812	PJDFB0025Y	Shaft, Pick Up Roller									
813	PJHRB0445Z	Rib, Paper Chute									
814	PJDJ06061CZ	Bearing									
815	PJDJ06121RZ	Bearing									
816	PJDRB0025Y	Roller, Paper Feed									
817	PJDGB0058Z	Gear 1									
818	PJDGB0059Z	Gear 2									
819	PJDGB0060Z	Gear 3									
820	PJDGB0061Z	Gear 4									
821	PJMDB0037Z	Bracket, Gear									
822	PJHRB0079Z	Arm, Sensor									
823	XPL2A10WVW	Pin									
824	PJUAB0007Y	Chassis, Right									
825	PJUAB0008Y	Chassis, Left									
826	PJMDB0036X	Frame, Chassis									
827	PJHG351Z	Plate, Rubber									
828	PJMDB0190Y	Plate, Corner									
829	PJHRB0521Z	Bushing									
830	PJYFPMF3M	Assembly, Top Cover									
831	PJMDB0035X	Paper Chute									
832	PJZUPMF3M	Assembly, Paper Guide									
833	PJZRPMF3M	Roller, Pick Up									
834	PJWMPMF3M	Clutch									
835	PJWQPMF3M	Motor									
836	PJULC0023Z	Bracket, L									
837	PJULC0022Z	Bracket, R									
838	PJMDB0256Z	Bracket, Joint									
839	PJHRB0684Z	Sheet, Bracket									
840	PJHRC0055Z	Sheet, Paper Chute									
841	PJHRC0176Z	Plate, Spacer									
842	PJHRC0154Z	Sheet, Clutch Guide									
845	PJNW525Z	Spacer									
900	PJWPPMF3M3	PC Board, 2nd Feeder									
901	XTW3+8SFJ7	Screw									
902	XTW3+6LFJ7	Screw									
903	XTW3+6SFJ7	Screw									
904	XWE4FJ	Washer									
905	XTB3+8JFN	Screw									

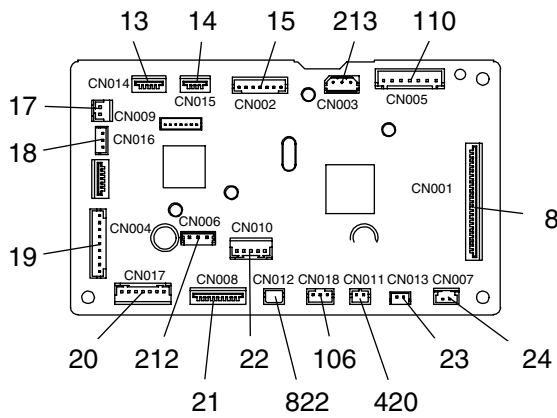


ITEM No.	PART No.	PART NAME	Q'TY / PAGE	Q'TY / PACK	P	I	R	BSI No.	TO	FROM	REMARKS
702	PJHSB0007Z	Pad, Friction									
707	PJDSB0020Z	Spring, Stopper									
708	PJHRB0034Z	Stopper									
713	PJDG50133Y	Gear, Pinion									
714	PJHRB0036Z	Rack									
901	PJHRB0338Z	Base, Paper Tray									
902	PJHRB0340Z	Guide, Right Paper Side									
903	PJHRB0341Z	Guide, Left Paper Side									
904	PJHRB0339Z	Case, Paper Tray Extension									
905	PJDSB0190Z	Spring, Retard Pad									
906	PJHRB0344Z	Indicator, Orange Paper Level									
907	PJDSB0157Y	Spring Friction									
908	PJUSB0089Z	Spring, Side Guide									
909	PJMDB0155X	Lifter, Paper									
910	PJHRB0343Z	Cover, Lifter									
912	PJZEF2301AU	Pad, Separation									
913	PJZEF2302AU	Assembly, Paper Size Knob									
914	PJGEC0004Z	Sheet, Paper Tray F									
915	PJGEC0005Z	Sheet, Paper Tray G									
916	PJGEC0009Z	Sheet, Paper Tray H									
917	PJGEC0010Z	Sheet, Paper Tray I									
918	PJGFC1536Z	Label, Max. Level Indicator 2									
919	PJHGC0004Z	Rubber, Separation Pad									
950	XTW3+8SFJ	Screw									

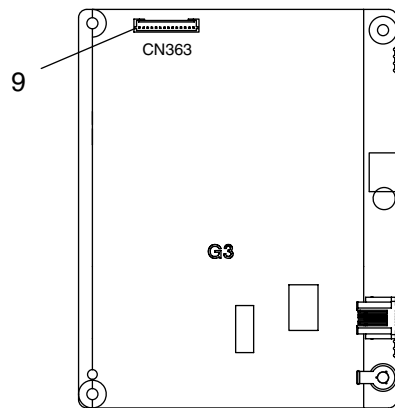
SC (1)



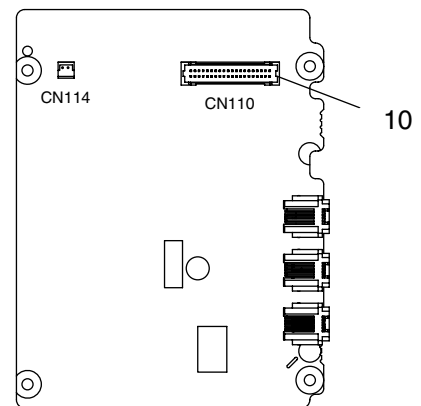
Engine Control (2)



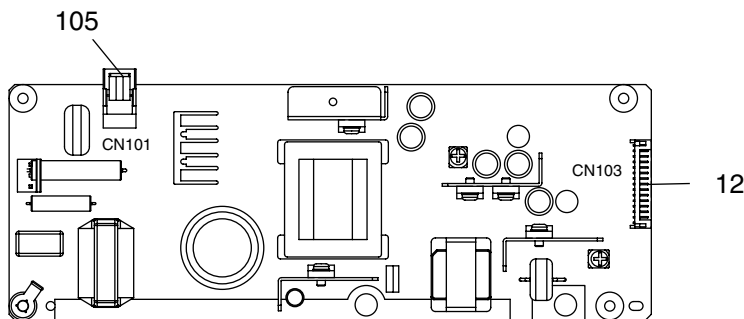
G3 (3)



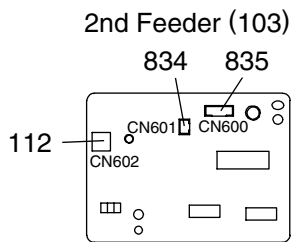
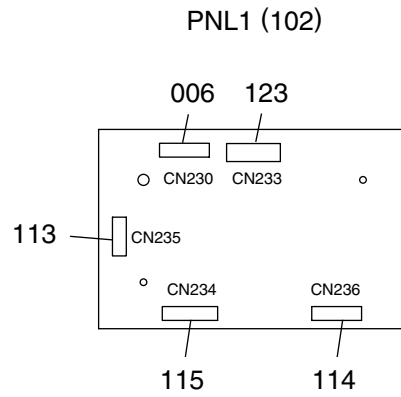
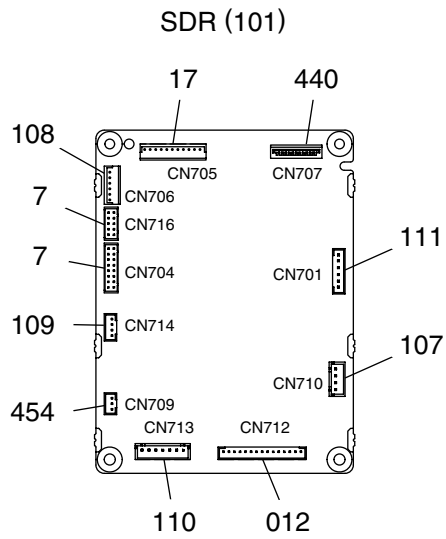
FXB (5)



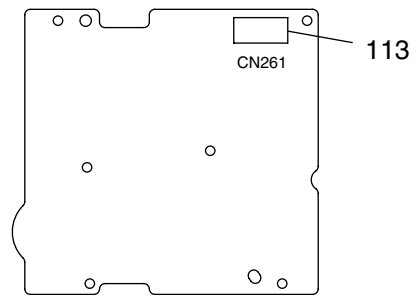
LVPS (4)



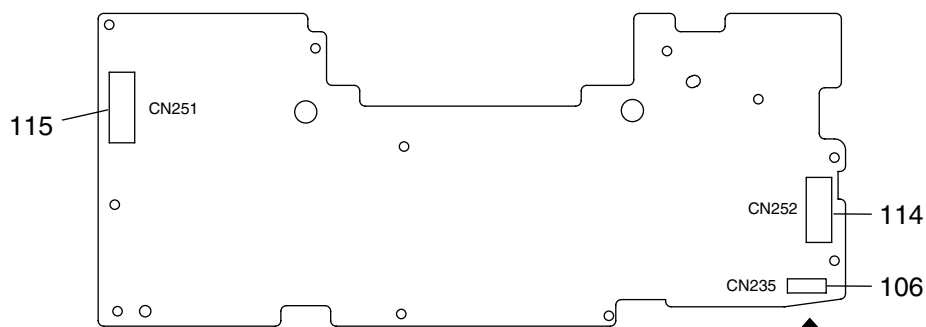
ITEM No.	PART No.	PART NAME	Q'TY / PAGE	Q'TY / PACK	P	I	R	BSI No.	TO	FROM	REMARKS
1	PJWPF268EUZ	PC Board, SC									
2	PJWPF268GAU	PC Board, Engine Control									
3	PJWPF268DAU	PC Board, G3									
4	N0AB3GG00002	LVPS									
5	PJWPF268BAU	PC Board, FXB									
6	PJJRC2228Z	Harness, PNL 1									
7	PJJRC2254Z	Harness, SC									
8	PJJRC2234Z	Harness, Printer									
9	PJJRC2245Z	Harness, G3									
10	PJJRC2229Z	Harness, FXB									
12	PJJRC2235Z	Harness, LVP									
13	PJJEC05002Z	Harness, Registration Detect Sensor (Flat Harness)									
14	PJJEC04002Z	Harness, Exit Sensor (Flat Harness)									
15	PJJRML0019Z	Harness, LSU									
17	PJJRML0011Z	Harness, Low Toner Sensor									
18	PJJRML0015Z	Harness, No Paper Sensor									
19	PJJRML0014Z	Harness, 2nd Paper Feed Module I/F Board									
20	PJJRML0021Y	Harness, Main Motor									
21	PJJEC10003Y	Harness, HVPS (Flat Harness)									
22	PJJRML0020Z	Harness, Motor									
23	PJJRB1026Z	Harness, Exit Solenoid Relay									
24	PJJRB1028Z	Harness, Thermistor Relay									
26	DZEC10369Z	PC Board, FRM8									
105	PJWS00GW0MQ1	Assembly, Inlet									
106	L6FALEGK0009	Motor, Fan									
110	PJJRML0001Y	Harness, ECU Power									
212	PJWS1P7305M	Switch, Front Door Safety Interlock									
213	PJWS2P7305M	Switch, OPC Drum Unit Interlock									
420	PJWMP7305M1	Assembly, Pick Up Solenoid									
822	PJWM1P7305M	Assembly, Registration Solenoid									



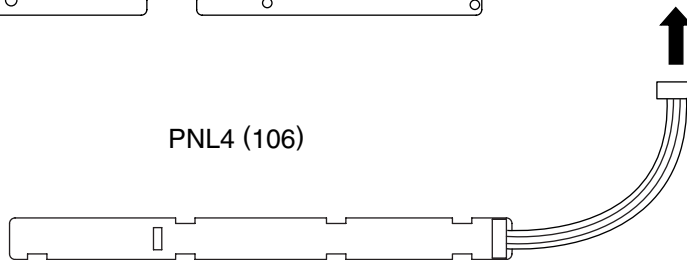
PNL3 (104)

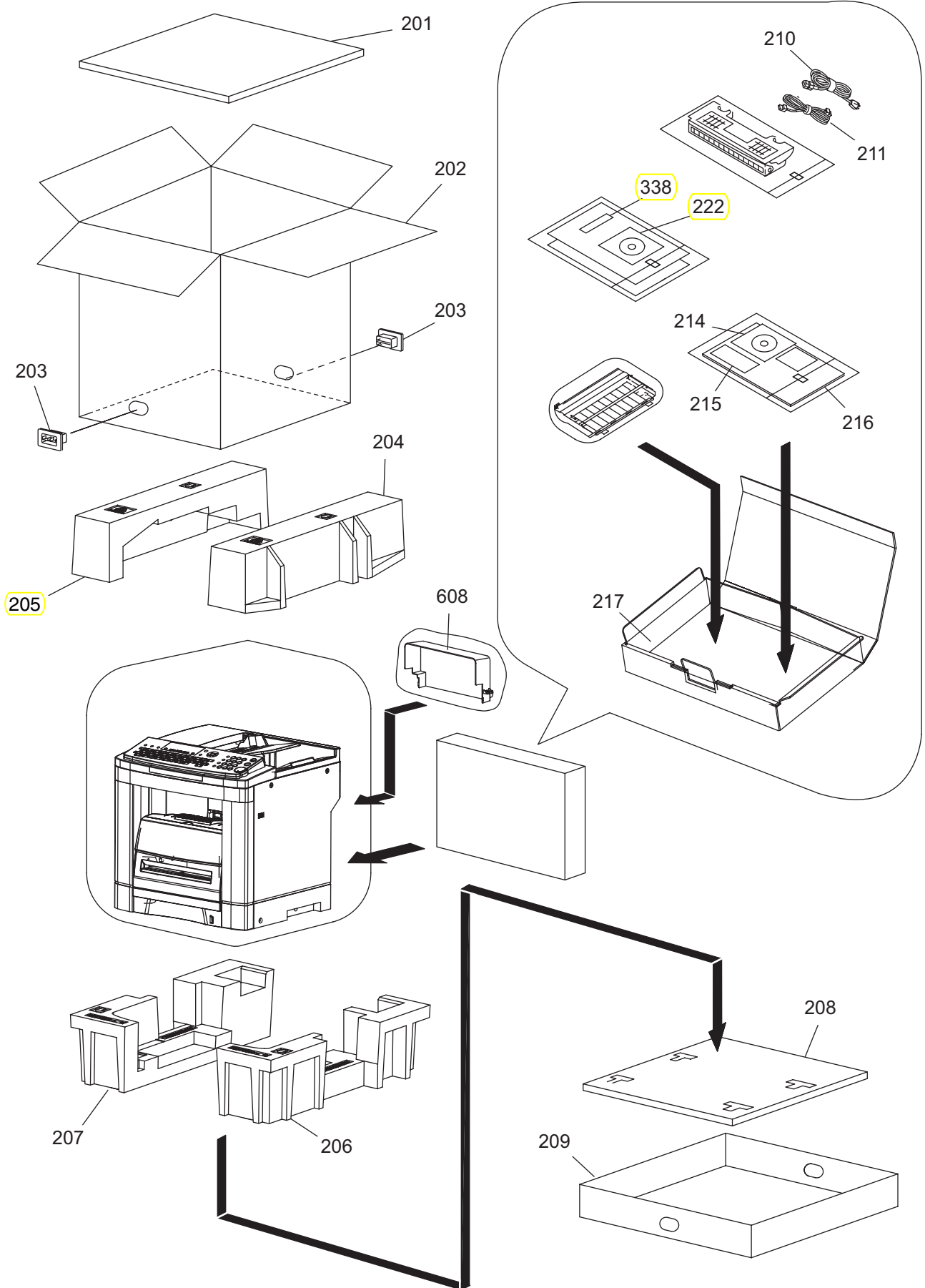


PNL2 (105)

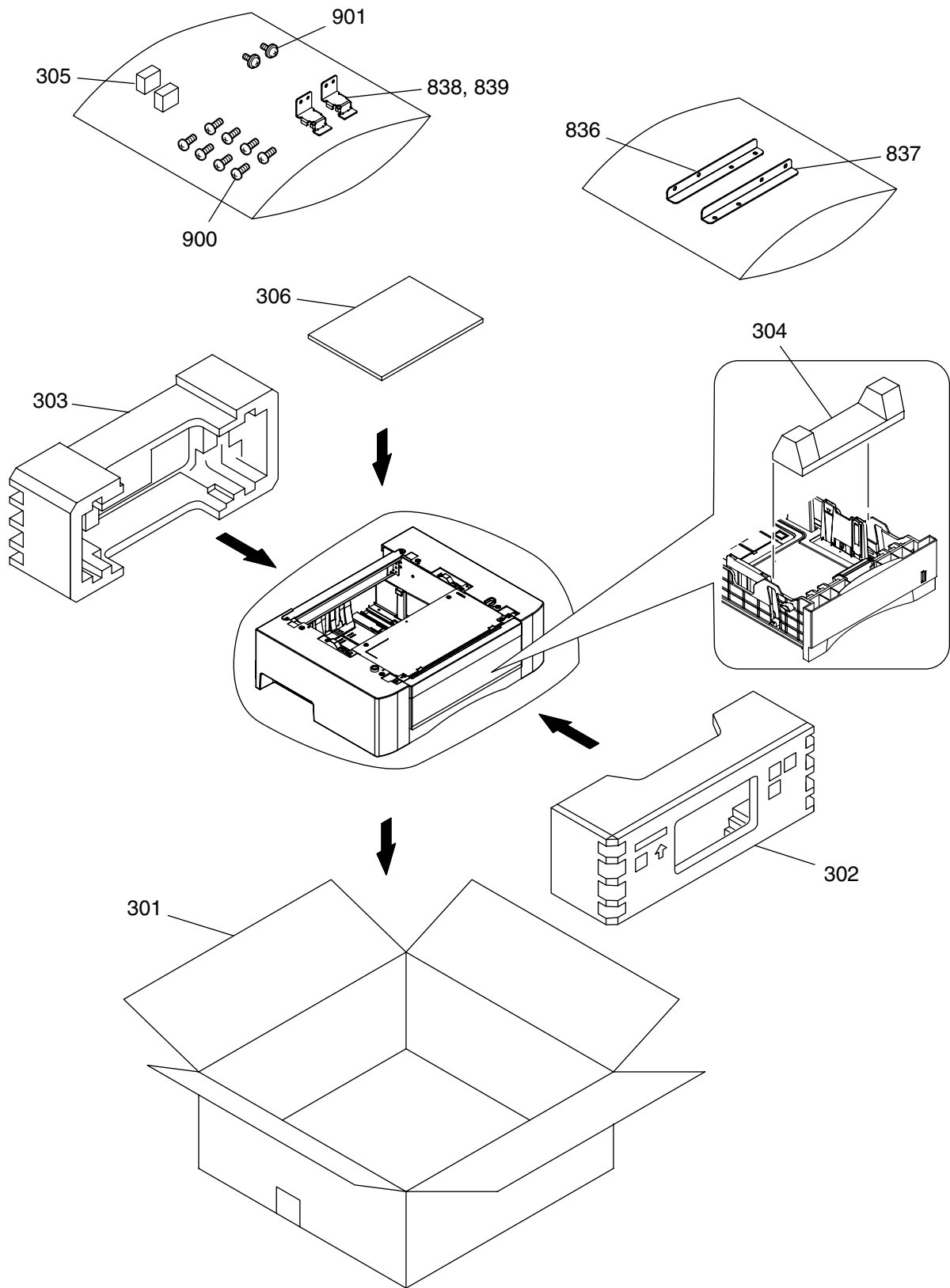


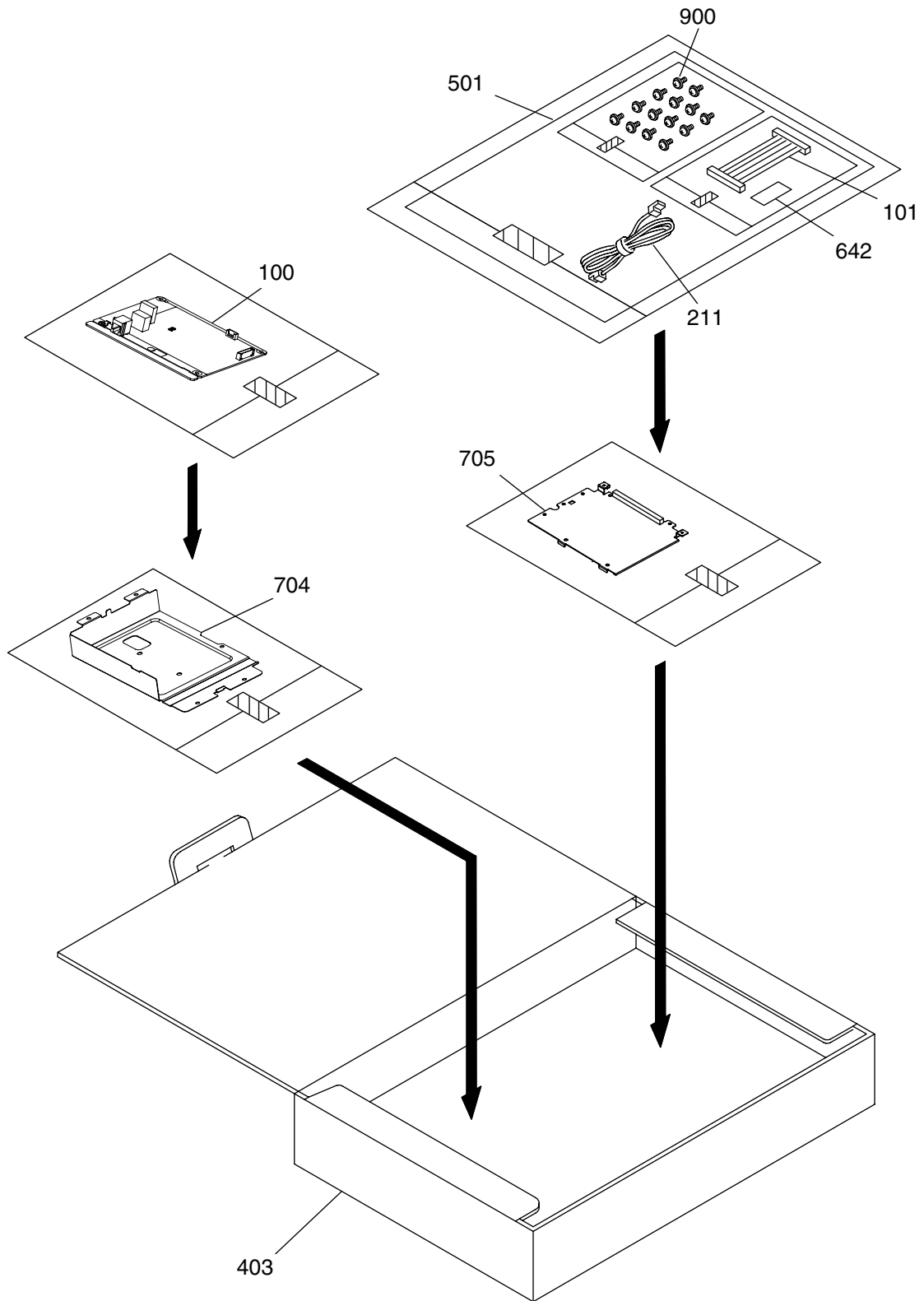
PNL4 (106)

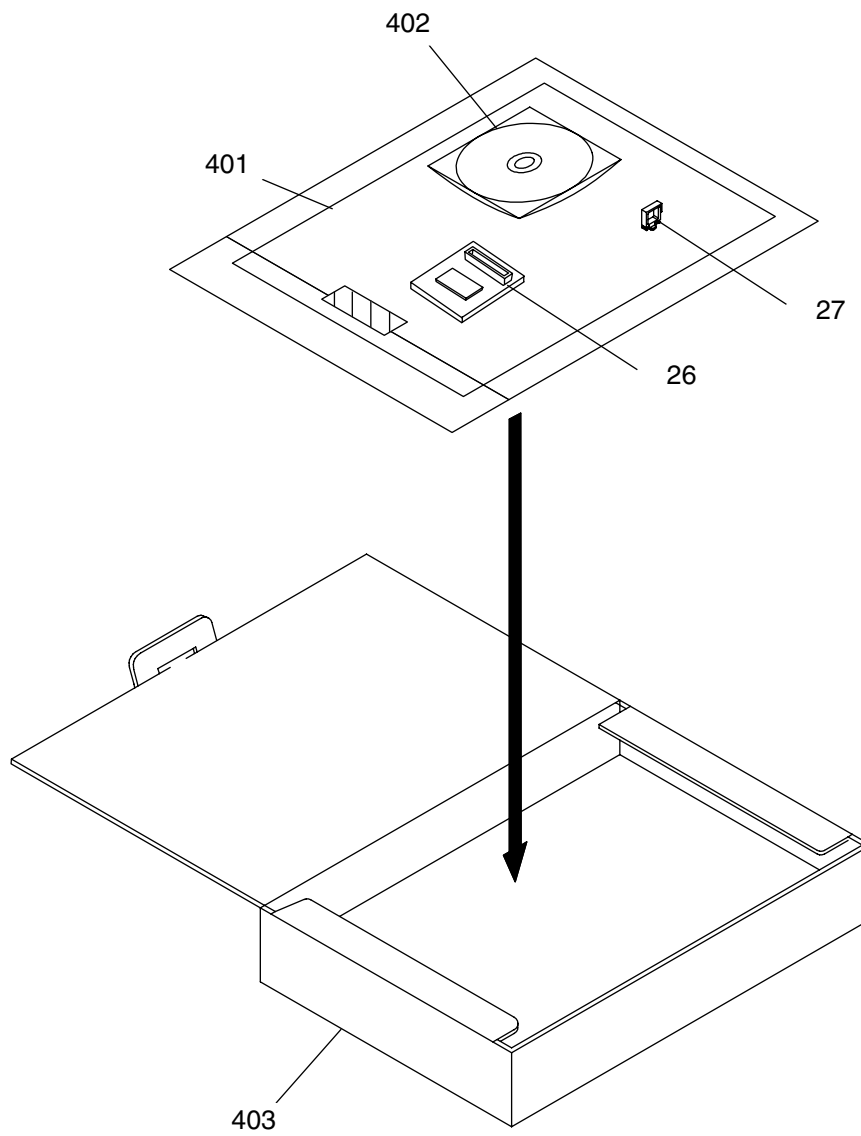


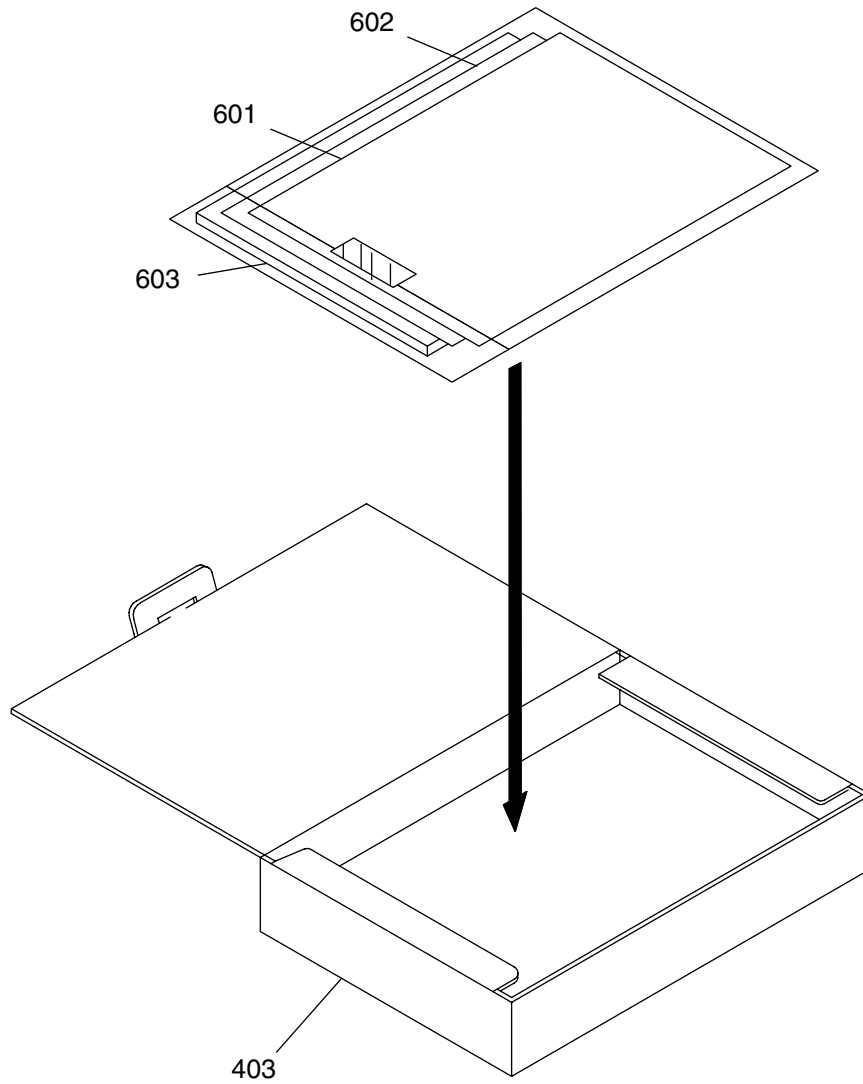


ITEM No.	PART No.	PART NAME	Q'TY / PAGE	Q'TY / PACK	P	I	R	BSI No.	TO	FROM	REMARKS
201	PJPEC0003Z	Pad, Top									
202	PJPGC0717Z	Box, Carton									
203	DZRG000003	Joint									
204	PJPQC0002Z	Cushion, Top Right									
205	PJPQC0003Z	Cushion, Top Left									
206	PJPQC0004Z	Cushion, Bottom Right									
207	PJPQC0005Z	Cushion, Bottom Left									
208	PJPEC0016Z	Pad, Bottom									
209	PJPGC0041Z	Box, Bottom									
210	K2CH3DH00004	Cord, Power									
211	DZFN000136	Line Cord									
214	PJJXC0270Z	Operating Instructions CD-ROM									
215	PJQTC0005Z	Holder, Directory Sheet									
216	PJQQC0071Z	Quick Guide									
217	PJPCC0001Z	Box, Accessories									
222	PJJXC00269Z	CD-ROM(DMS_THE-FAX_TOSHIBA TE									
338	PJGFC0107Z-1	Label, Minimum Length			E	-	J	G06I225			
608	PJKEB0130Z	Cover, Rear Paper Tray									









TOSHIBA

TOSHIBA TEC CORPORATION

2-17-2, HIGASHIGOTANDA, SHINAGAWA-KU, TOKYO, 141-8664, JAPAN