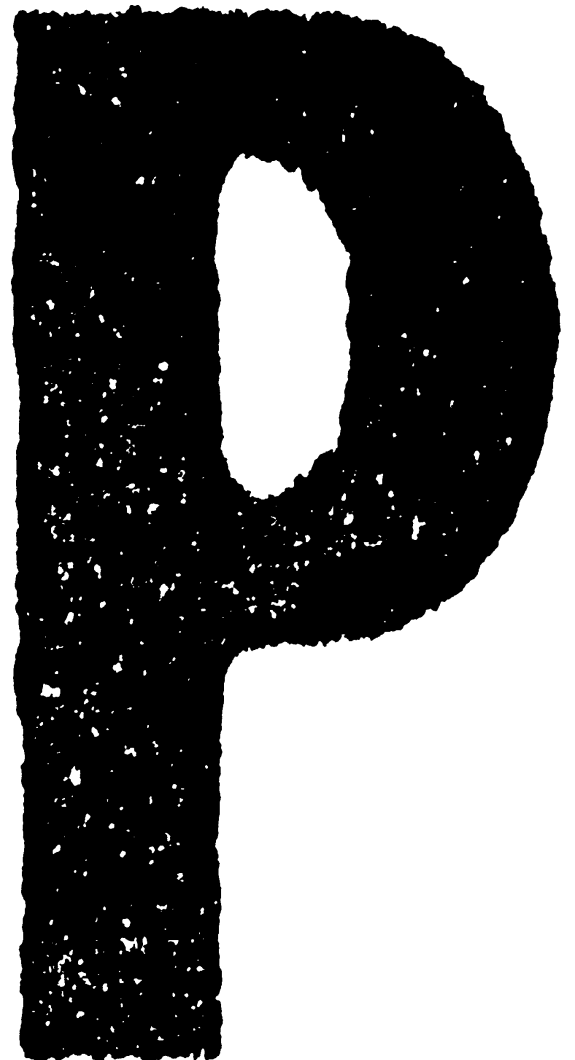


TOSHIBA

SERVICE PARTS LIST

MULTIFUNCTIONAL DIGITAL SYSTEMS

e-STUDIO0163/203



© 2006 TOSHIBA TEC CORPORATION All rights reserved

Under the copyright laws, this manual cannot be reproduced in any form without prior written permission of TOSHIBA TEC CORPORATION. No patent liability is assumed, however, with respect to the use of the information contained herein.

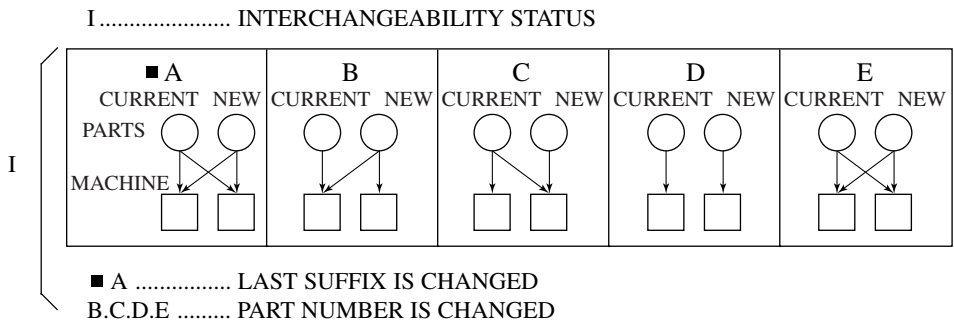
EXPLANATION OF SERVICE-PARTS LIST

1. HOW TO READ THE PARTS LIST

- (1) Number of pieces
The number of pieces in the list denotes total pieces used per unit. But the numbers in the list for PACKING MATERIAL and ACCESSORY denote total pieces used per machine.
- (2) One pack of screws in the list includes 50 pieces.
- (3) ABBREVIATED CODES

| | | |
|------------|-----------------------------------|---|
| QTY/PAC | QTY | one piece |
| | PAC | one pack |
| | 1/P | one piece packed in polyethylene bag |
| | 1/S | one piece packed in special pack |
| | 1/C | one piece packed in carton box |
| | 1/PP | one piece packed in paper and polyethylene bag |
| | 1/KP | one piece packed in polyethylene bag with cardboard |
| | 1/D | one piece packed in polyethylene-cushion bag |
| 1/SB | one piece packed in shielding bag | |
| N/A | not available | |

| | | |
|---|---------|-------------|
| P | P | PURPOSE |
| | A | ADD |
| | B | DELETE |
| | C | CHANGE |
| | D | QTY, CHANGE |
| | E | MISENTRY |
| | F | OMISSION |



2. HOW TO PLACE ORDER FOR PARTS

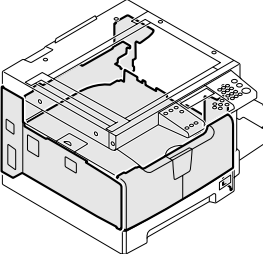
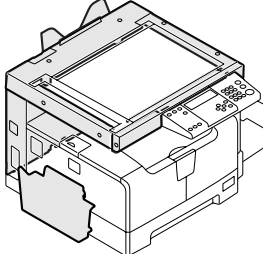
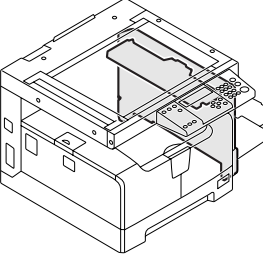
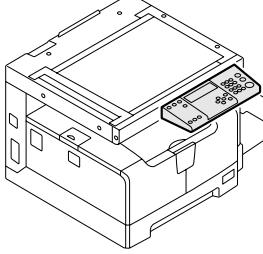
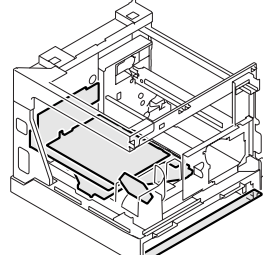
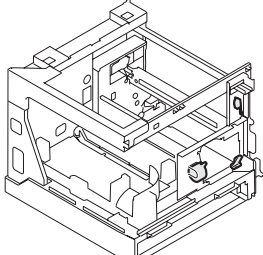
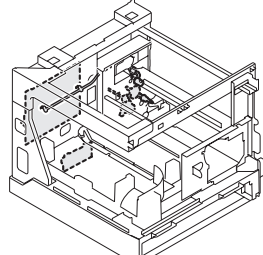
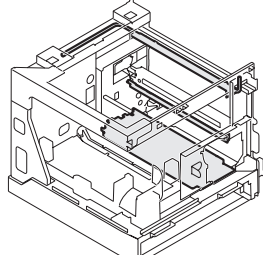
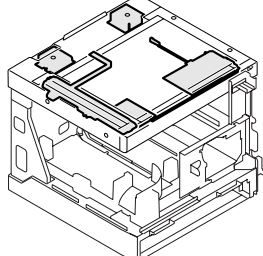
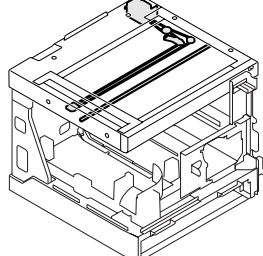
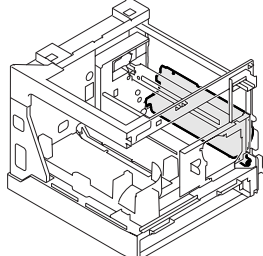
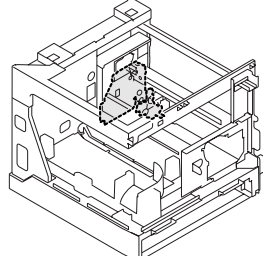
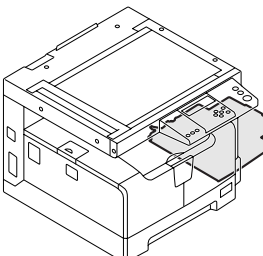
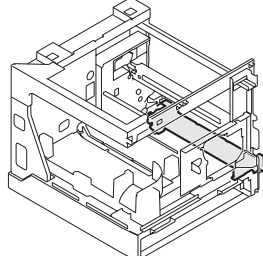
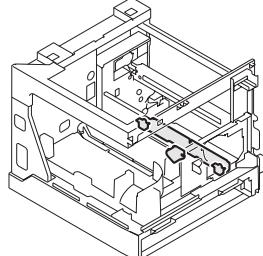
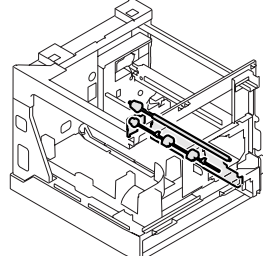
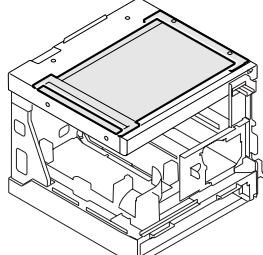
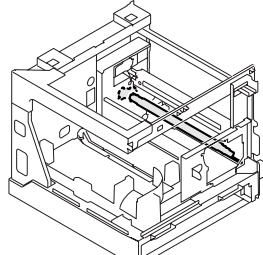
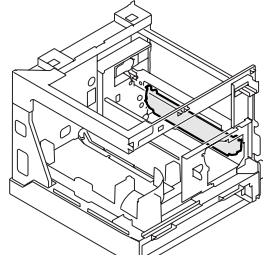
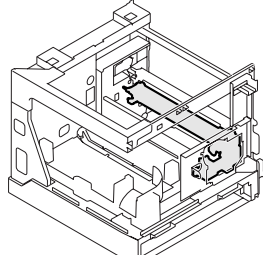
- (1) The parts handled as service parts are only those with their "QTY/PACK" column listed with a quantity other than "N/A***" or "SUPPLY".
Those parts with "N/A***" are listed only for the purpose of showing the mechanical construction, those listed with "SUPPLY" are handled only as a sales item, and therefore both types of parts are not supplied as service parts.
- (2) Orders for any parts which form a component of a semi-assembled unit are not acceptable.
Note: All the screws and nuts used are ISO standard.

3. REGION

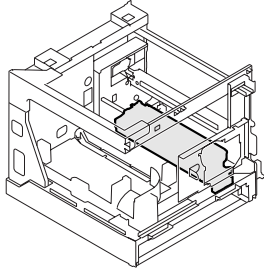
| | |
|-----------|---------------------------------------|
| NAD | 115V |
| | 50/60Hz, NORTH AMERICA, SOUTH AMERICA |
| TWD | 110/220V |
| | 50/60Hz, TAIWAN |
| SAD | 127V/60Hz, SAUDI ARABIA |
| ASD | 220-240V |
| | 50/60Hz, ASIA, SOUTH AMERICA, etc. |
| ASU | 220-240V |
| | 50/60Hz, ASIA, etc. |
| AUD | 220-240V |
| | 50/60Hz, AUSTRALIA |
| MJD | 220-240V |
| | 50/60Hz, EUROPE |
| CND | 220-240V |
| | 50/60Hz, CHINA |
| KRD | 220-240V |
| | 50/60Hz, KOREA |

CONTENTS

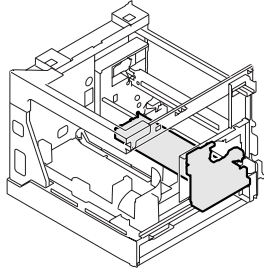
| | | | |
|-----------------------------|----|---------------------|-----|
| COVER-1-ASY | 1 | JIGS & GREASE | 101 |
| COVER-2-ASY | 2 | DOWNLOAD JIGS | 102 |
| COVER-3-ASY | 3 | SUPPLIES | 103 |
| CONTROL-PANEL-ASY | 4 | REPLACE UNIT | 104 |
| BASE-FRAME-ASY | 5 | PM-KIT | 105 |
| FRONT-FRAME-ASY | 6 | | |
| REAR-FRAME-ASY | 7 | | |
| STAY-ASY | 8 | | |
| OPTICAL-FRAME-ASY | 9 | | |
| OPTICAL-DRIVE-ASY | 10 | | |
| COVER-GUIDE-ASY | 11 | | |
| MAIN-DRIVE-ASY | 12 | | |
| BYPASS-ASY | 13 | | |
| BYPASS-FEEDER-ASY | 14 | | |
| GUIDE-ALIGNING-ASY | 15 | | |
| ALIGNING-ASY | 16 | | |
| PLATEN-ASY | 17 | | |
| MAIN-CHARGER-ASY | 18 | | |
| TRANSPORT-CHARGER-ASY | 19 | | |
| CLEANER-ASY | 20 | | |
| DEVELOPER-ASY | 21 | | |
| RECYCLE-ASY | 22 | | |
| FUSER-1-ASY | 23 | | |
| FUSER-2-ASY | 24 | | |
| DRAWER-ASY | 25 | | |

| | | | |
|--|--|---|---|
| <p>1. COVER-1-ASY</p>  | <p>2. COVER-2-ASY</p>  | <p>3. COVER-3-ASY</p>  | <p>4. CONTROL-PANEL-ASY</p>  |
| <p>5. BASE-FRAME-ASY</p>  | <p>6. FRONT-FRAME-ASY</p>  | <p>7. REAR-FRAME-ASY</p>  | <p>8. STAY-ASY</p>  |
| <p>9. OPTICAL-FRAME-ASY</p>  | <p>10. OPTICAL-DRIVE-ASY</p>  | <p>11. COVER-GUIDE-ASY</p>  | <p>12. MAIN-DRIVE-ASY</p>  |
| <p>13. BYPASS-ASY</p>  | <p>14. BYPASS-FEEDER-ASY</p>  | <p>15. GUIDE-ALIGNING-ASY</p>  | <p>16. ALIGNING-ASY</p>  |
| <p>17. PLATEN-ASY</p>  | <p>18. MAIN-CHARGER-ASY</p>  | <p>19. TRANSPORT-CHARGER-ASY</p>  | <p>20. CLEANER-ASY</p>  |

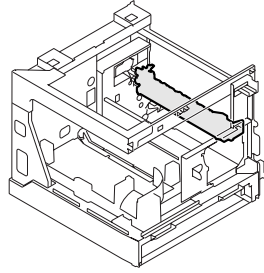
21. DEVELOPER-ASY



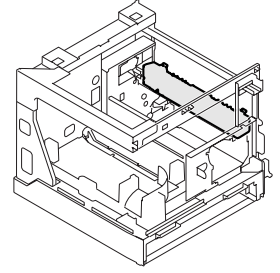
22. RECYCLE-ASY



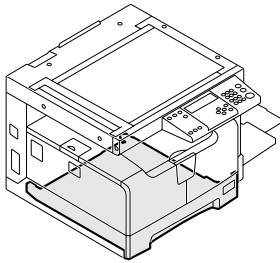
23. FUSER-1-ASY

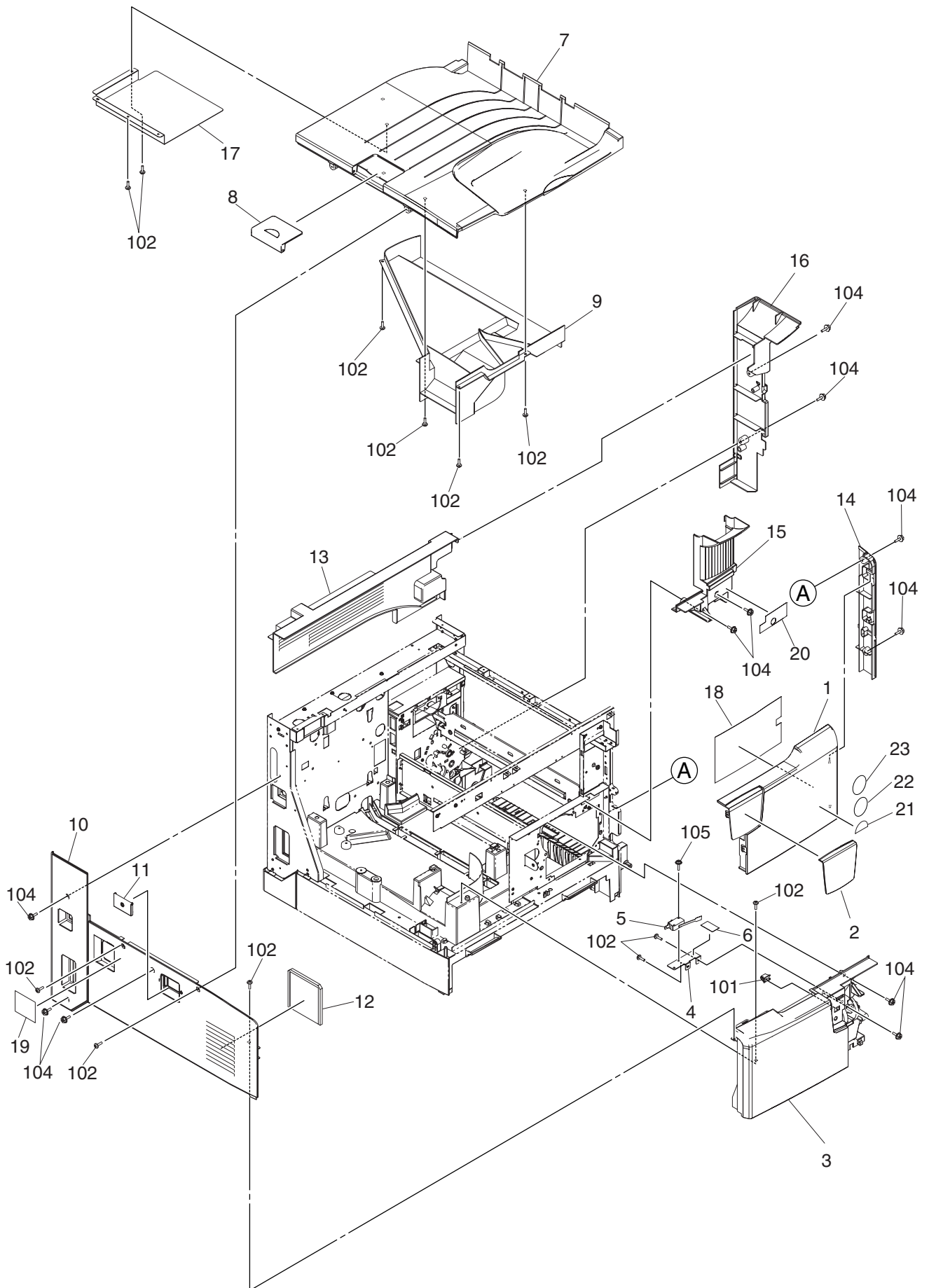


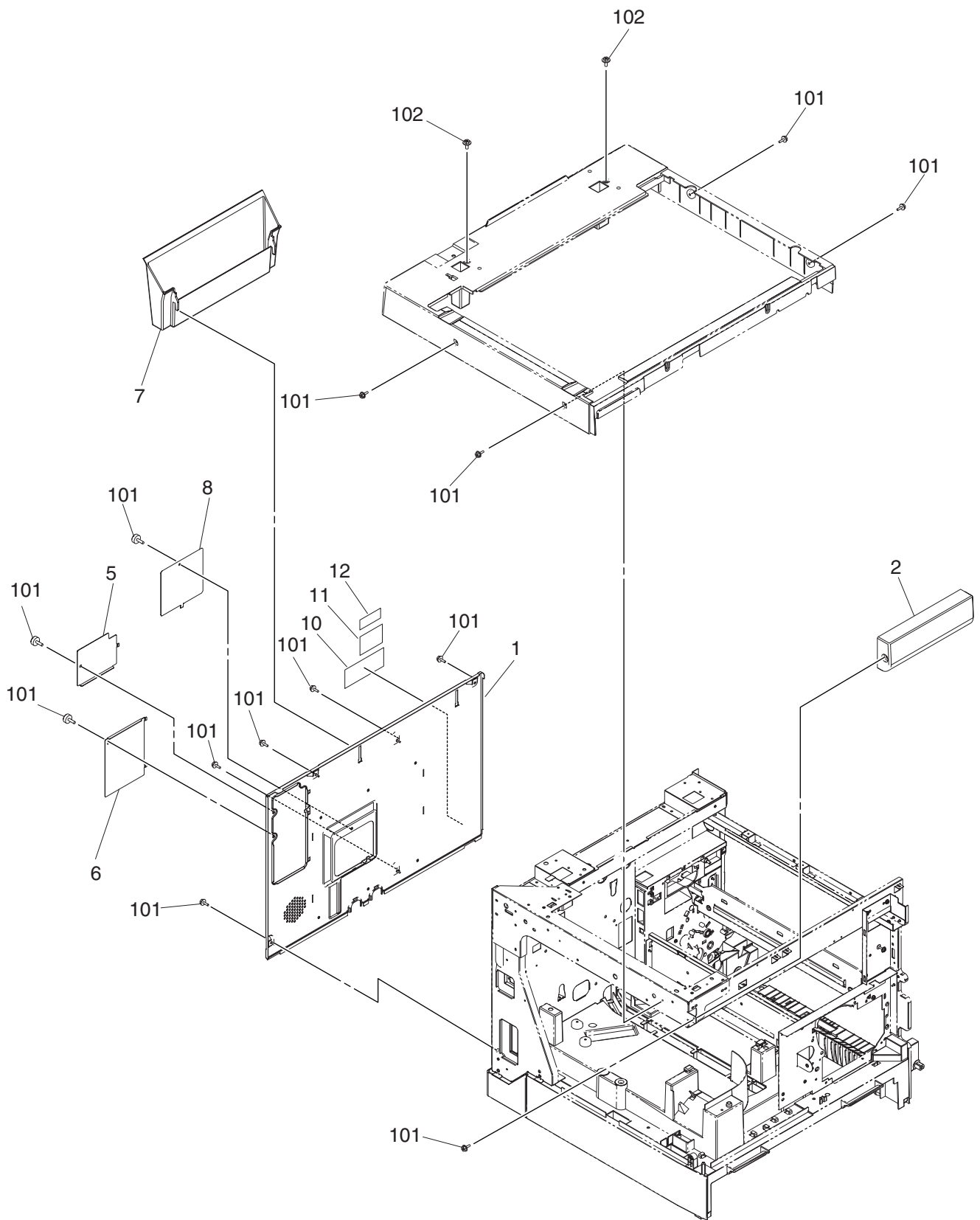
24. FUSER-2-ASY

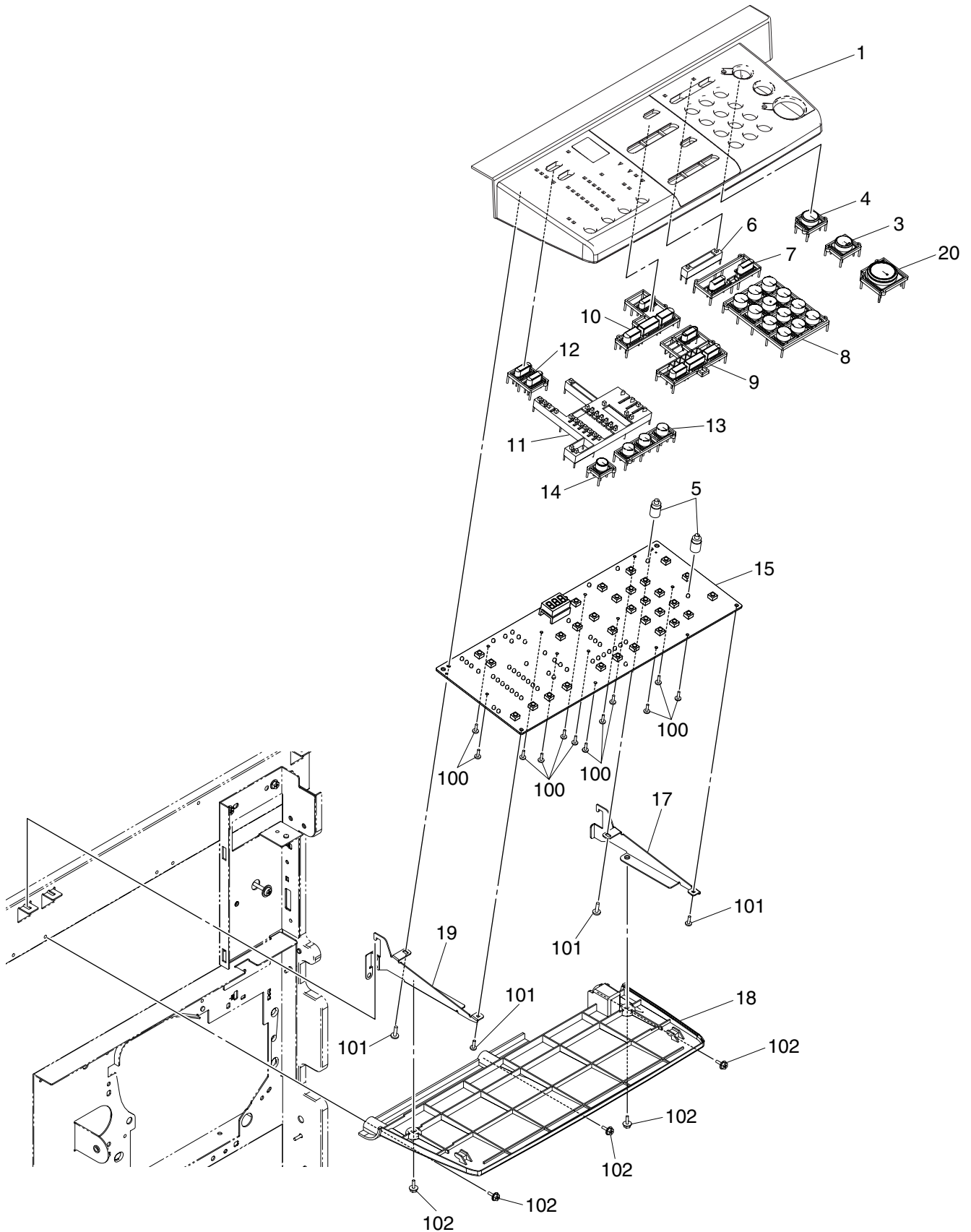


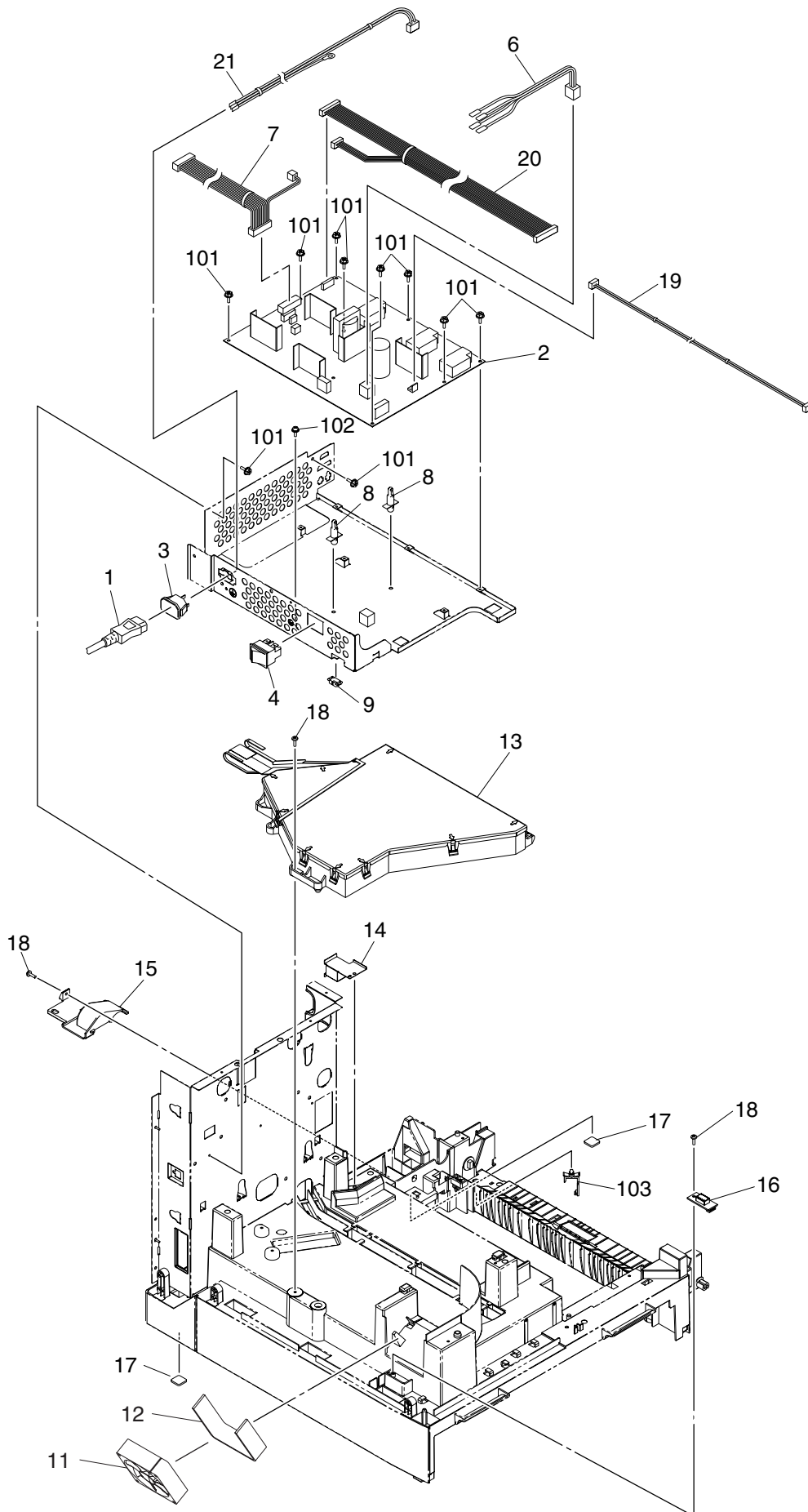
25. DRAWER-ASY

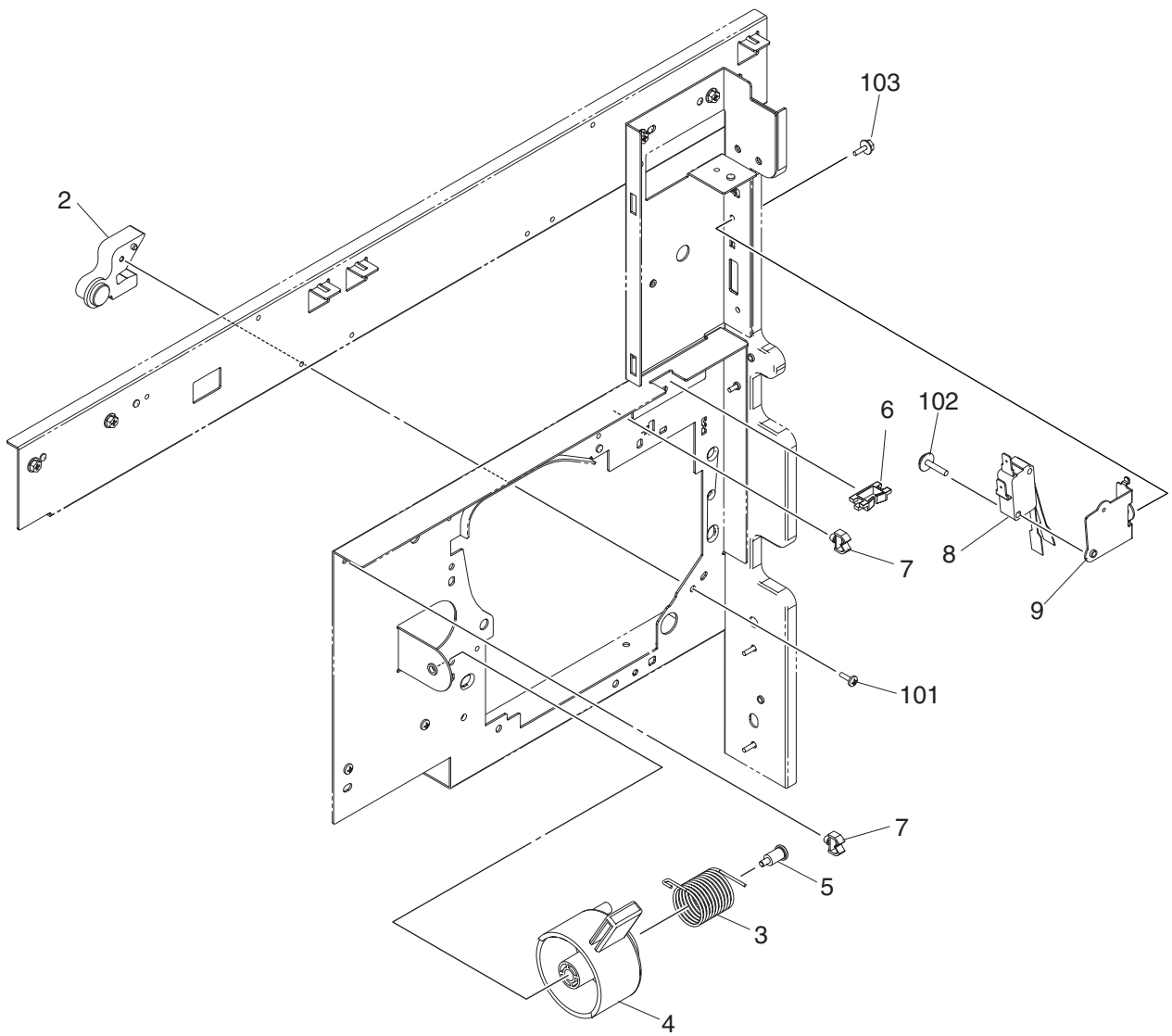


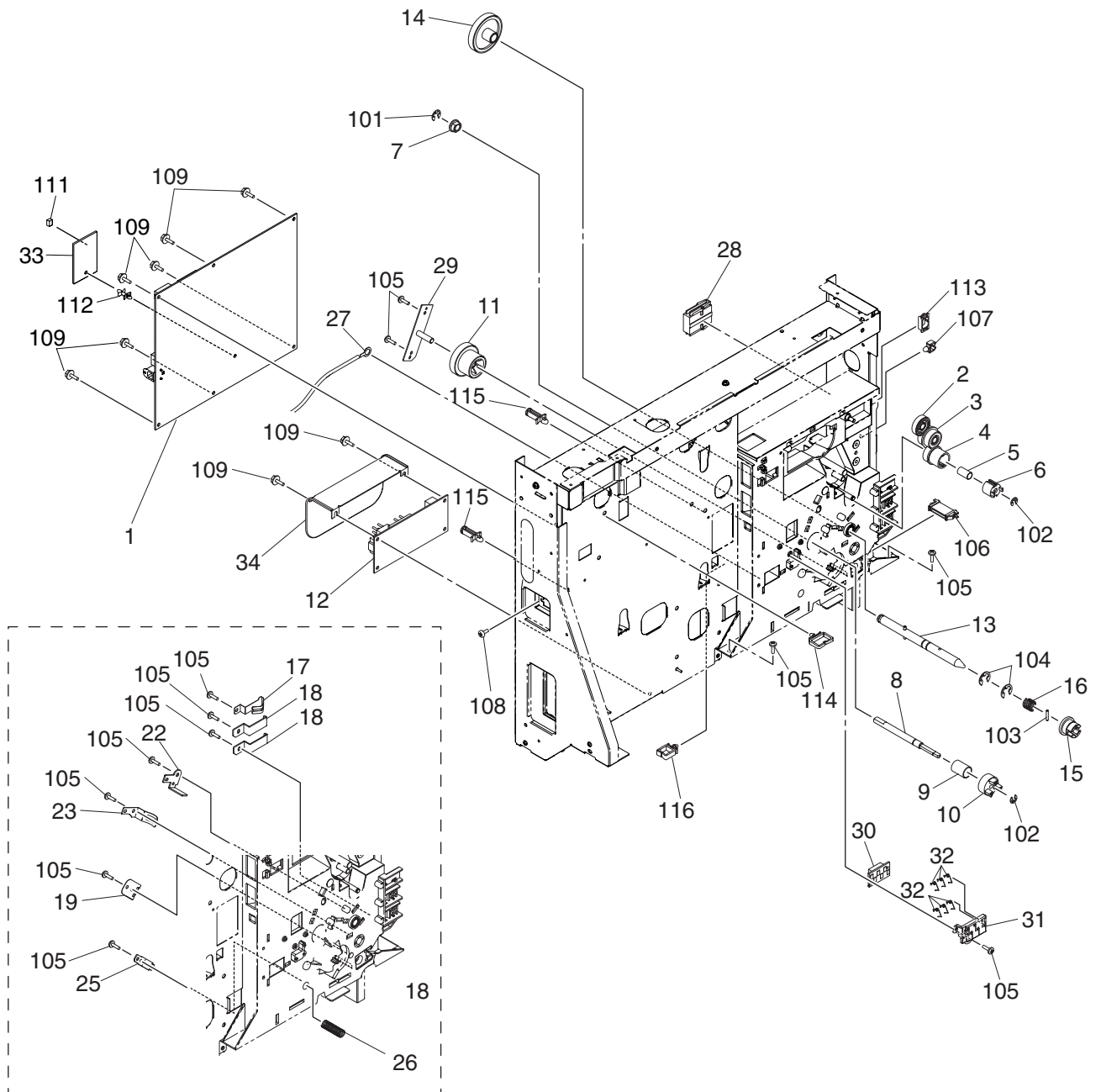




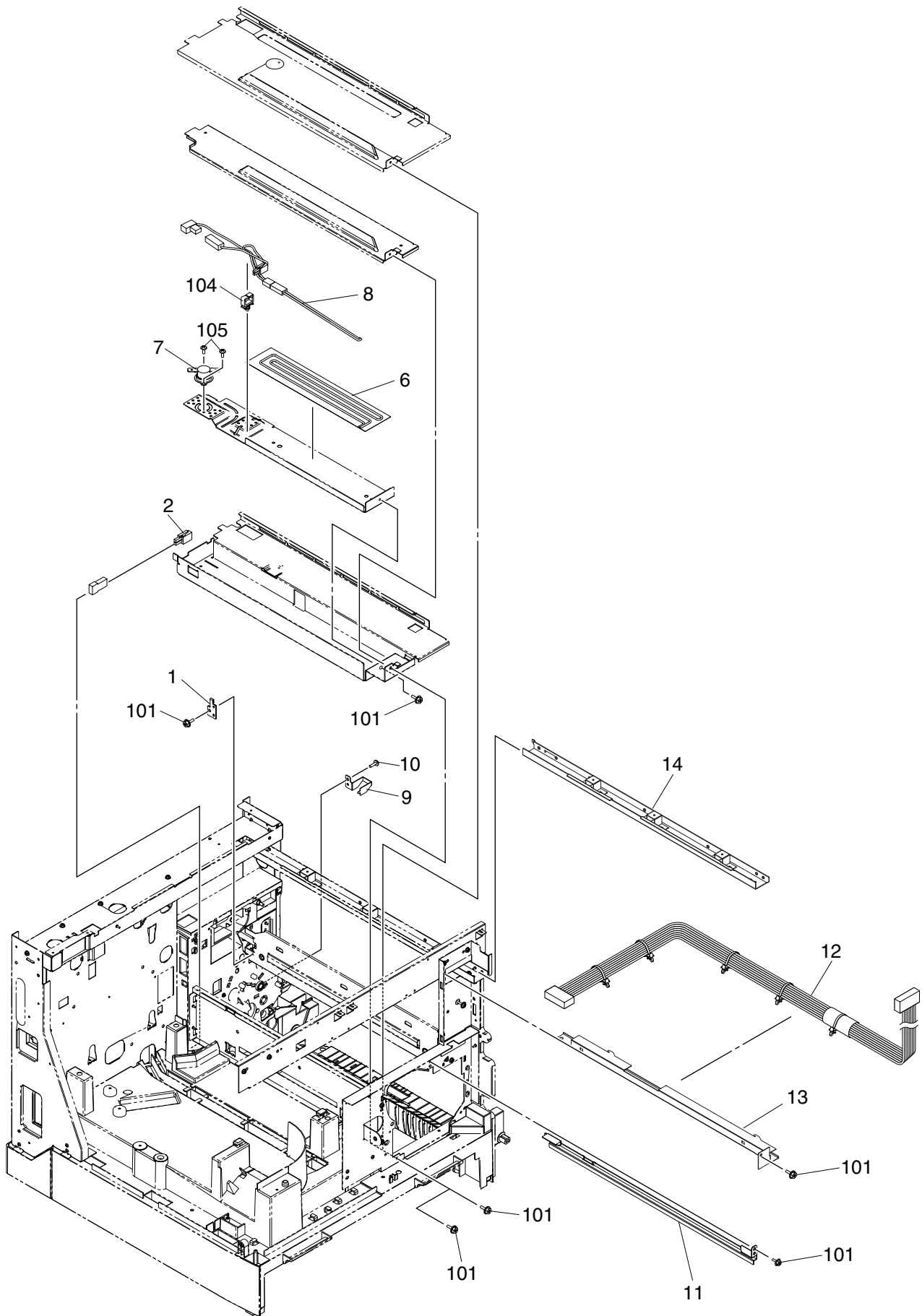


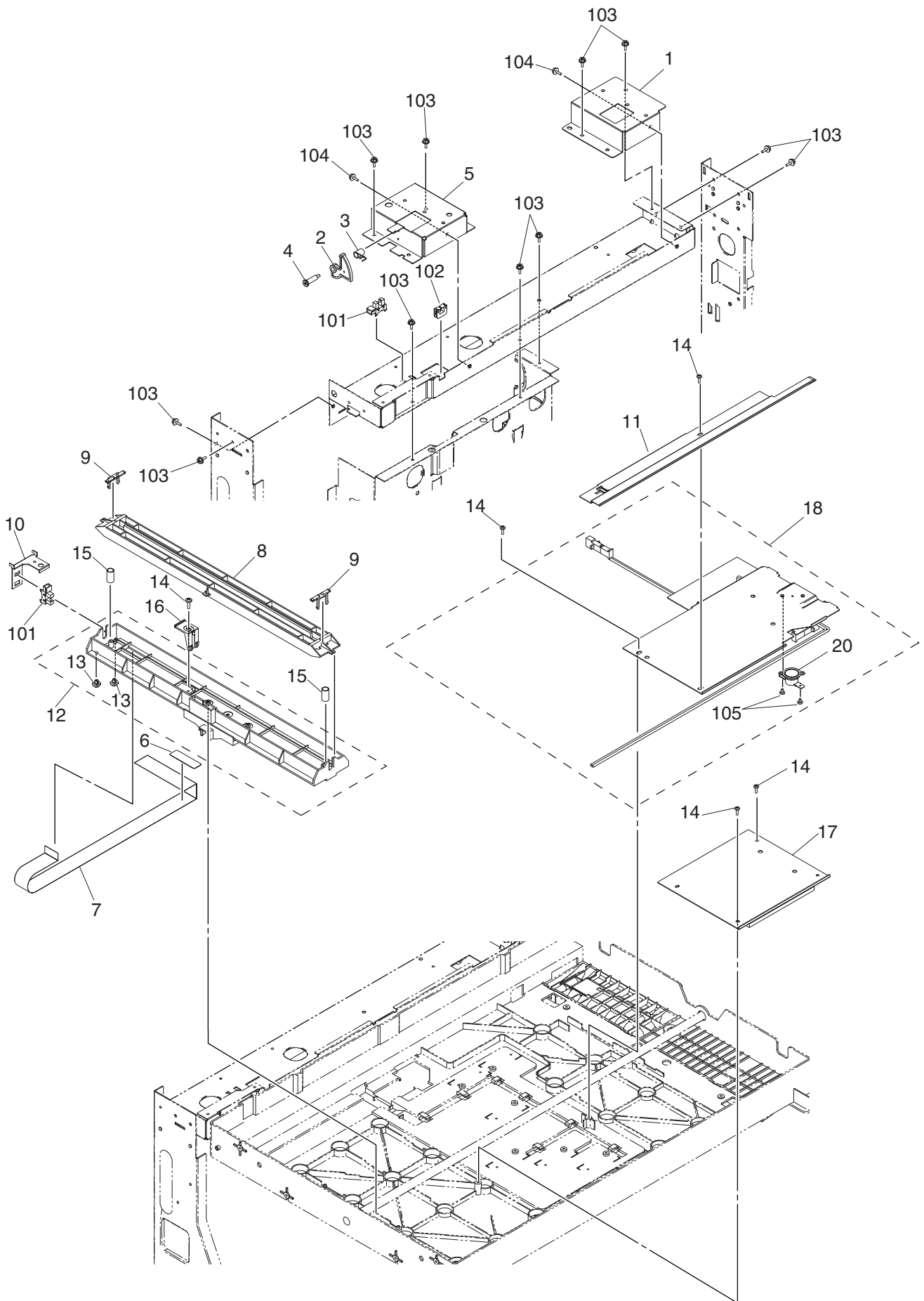


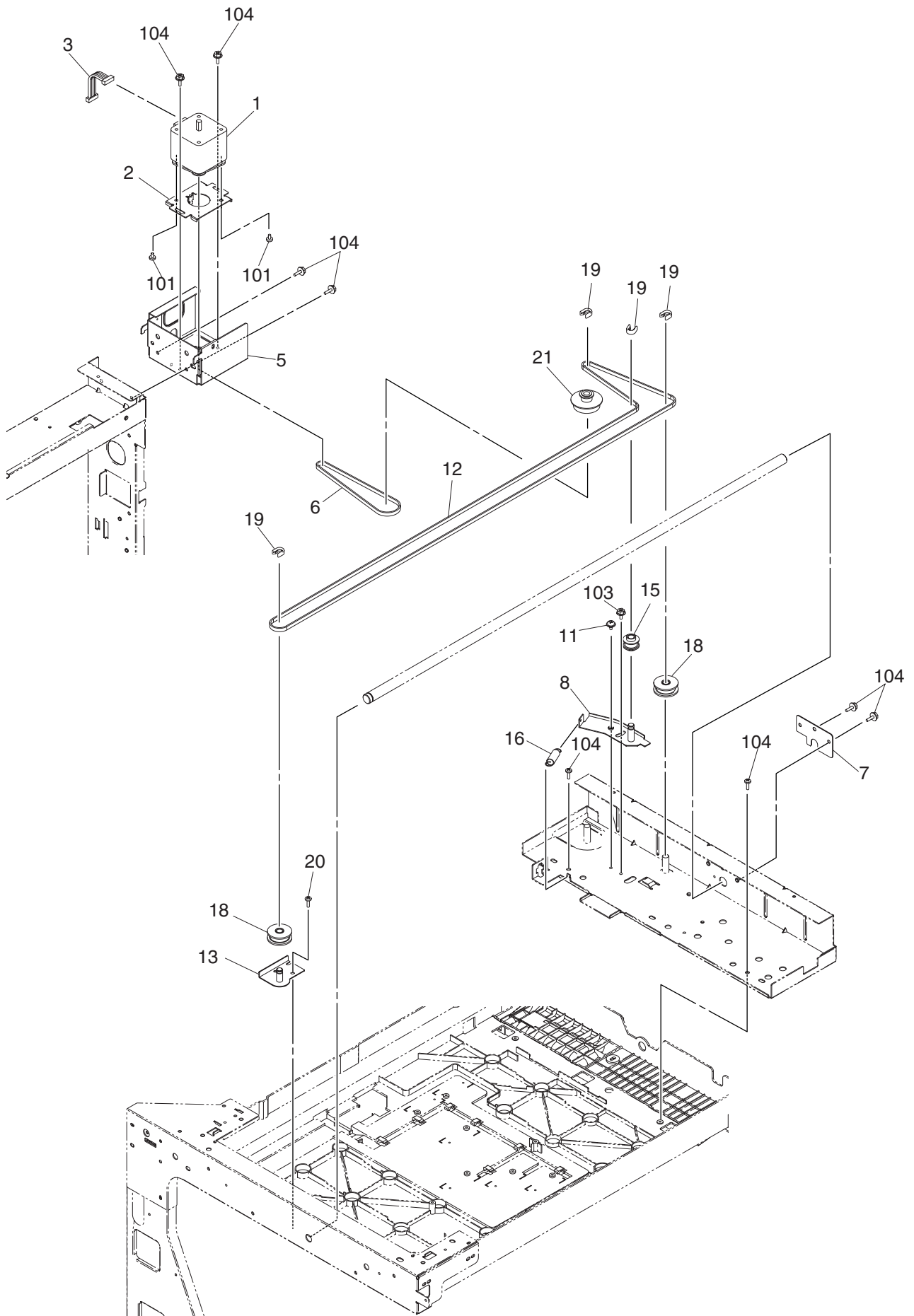




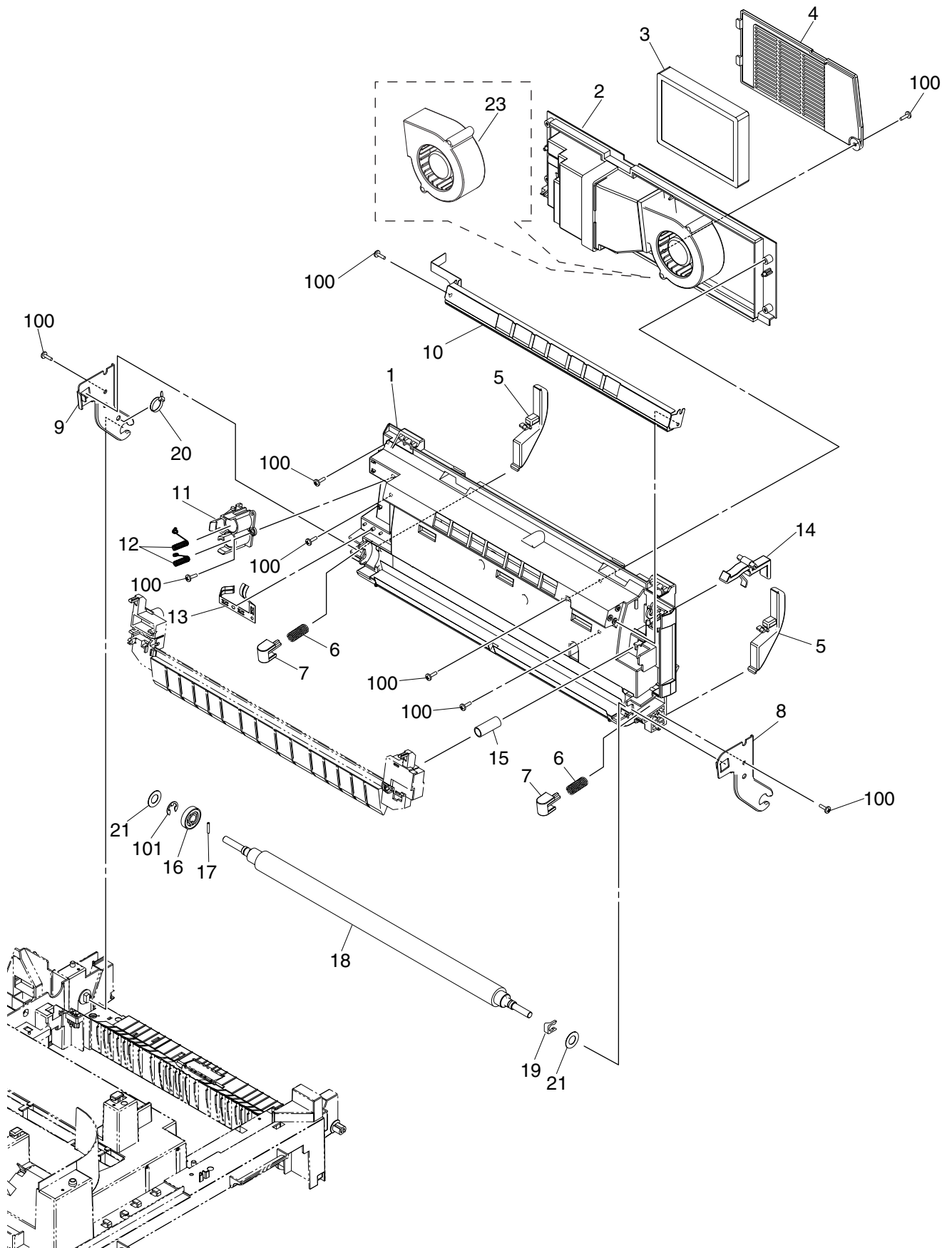
| ITEM No. | PART No. | PART NAME | Q'TY / PAGE | Q'TY / PACK | P | I | R | BSI No. | TO | FROM | REMARKS |
|----------|-------------|----------------------|-------------|-------------|---|---|---|---------|----|------|---------------------|
| 1 A | 6LE62767000 | PWA-F-MAIN-280 | 1 | 1/SB | | | | | | | e-STUDIO163 |
| 1 B | 6LE62767100 | PWA-F-MAIN-281 | 1 | 1/SB | | | | | | | e-STUDIO203 |
| 2 | 6LE56647000 | GEAR-10S19-6 | 1 | 1/P | | | | | | | |
| 3 | 6LE56631000 | GEAR-10S17_10S19-6 | 1 | 1/P | | | | | | | |
| 4 | 6LE56622000 | GEAR-10S17-5-CPG | 1 | 1/P | | | | | | | |
| 5 | 6LE56612000 | SPG-DRV-CL-280 | 1 | 1/P | | | | | | | |
| 6 | 6LE56609000 | CPG-DRV-CLN-280 | 1 | 1/P | | | | | | | |
| 7 | 44201492000 | BUSH-6-POM | 1 | 5/P | | | | | | | |
| 8 | 6LE56660000 | SHAFT-DRV-TNR-280 | 1 | 1/P | | | | | | | |
| 9 | 6LE56611000 | SPG-DRV-TN-280 | 1 | 1/P | | | | | | | |
| 10 | 6LE56666000 | CPG-TC-280 | 1 | 1/P | | | | | | | |
| 11 | 6LE56643000 | GEAR-10S26_10S37-6 | 1 | 1/P | | | | | | | |
| 12 B | 6LA88759000 | PWA-F-FUS-371 | 1 | 1/C | | | | | | | ASU,SAD,ASD,AUD,ARD |
| 13 | 6LE56662000 | ASYS-SHAFT-DRUM-280 | 1 | 1/P | | | | | | | |
| 14 | 6LE56648000 | GEAR-10H36R-8 | 1 | 1/P | | | | | | | |
| 15 | 41314022000 | CPG-DRUM-AW5 | 1 | 1/P | | | | | | | |
| 16 | 6LA79504000 | SPG-C-173 | 1 | 5/P | | | | | | | |
| 17 | 6LE62434000 | SPL-GUIDE-TR | 1 | 1/P | | | | | | | |
| 18 | 6LE62430000 | PLATE-TRU | 2 | 1/P | | | | | | | |
| 19 | 6LE56606000 | SPL-BIAS-RGST | 1 | 1/P | | | | | | | |
| 20 | 6LE63315000 | HRNS-HVPS1-280 | 1 | | | | | | | | |
| 21 | 6LE63318000 | HRNS-HVT-GB-280 | 1 | | | | | | | | |
| 22 | 6LA85009000 | SPL-CH-M | 1 | 1/P | | | | | | | |
| 23 | 6LA85008000 | SPL-GRID | 1 | 1/P | | | | | | | |
| 24 | 6LE63316000 | HRNS-HVPS2-280 | 1 | | | | | | | | |
| 25 | 6LA82004000 | PLT-TERM-DEV | 1 | 1/P | | | | | | | |
| 26 | 6LA82006000 | SPC-TERM | 1 | 5/P | | | | | | | |
| 27 | 6LE63317000 | HRNS-HVPS3-280 | 1 | | | | | | | | |
| 28 | 6LE63313000 | HRNS-ACIN1-280 | 1 | | | | | | | | |
| 29 | 6LE56635000 | ASYS-PLATE-DRIVE-DEV | 1 | 1/P | | | | | | | |
| 30 | 6LE62745000 | PWA-F-CTIF-280 | 1 | 1/SB | | | | | | | |
| 31 | 6LE62102000 | HOLD-SP-TNR-IC | 1 | 1/P | | | | | | | |
| 32 | 6LE57801000 | SPRING-TNR-IC | 6 | 1/P | | | | | | | |
| 33 | 6LE62758000 | PWA-F-SRAM-280 | 1 | 1/SB | | | | | | | |
| 34 B | 6LE55664000 | COVER-PWA-FUS-280 | 1 | 1/P | | | | | | | ASU,SAD,ASD,AUD,ARD |
| 101 | X0-00966000 | RR/E-5-SS | 1 | 10/P | | | | | | | |
| 102 | X0-00964000 | RR/E-3-SS | 2 | 10/P | | | | | | | |
| 103 | X0-00980000 | P/PRL/AH7-2X10-SS | 1 | 10/P | | | | | | | |
| 104 | X0-00968000 | RR/E-7-SS | 2 | 10/P | | | | | | | |
| 105 | 6LA80090000 | S/TPP/BID-3*8-NI | 12 | 5/P | | | | | | | |
| 106 | E0-09932000 | BU14P-TZ-S (LF)(SN) | 1 | | | | | | | | |
| 107 | F0-00042000 | UAMS-05S-2 | 1 | 5/P | | | | | | | |
| 108 | X0-00057000 | S/PAN-M3X6-NI | 1 | 10/P | | | | | | | |
| 109 | X0-02239000 | S/TPS/FHEXM-3X8-ZU3 | 8 | 10/P | | | | | | | |
| 111 | E0-03359000 | IMSA-9206H-GF | 1 | 5/P | | | | | | | |
| 112 | F0-01036000 | WLS-08-0 | 1 | | | | | | | | |
| 113 | F0-01248000 | ESC-0912 | 1 | 10/P | | | | | | | |
| 114 | F0-01252000 | WS-4W | 1 | 5/P | | | | | | | |
| 115 | F0-01553000 | CBT-10S0 | 2 | | | | | | | | |
| 116 | F0-00341000 | LWS-2U | 1 | 5/P | | | | | | | |
| | | | | | | | | | | | |
| | | | | | | | | | | | |
| | | | | | | | | | | | |



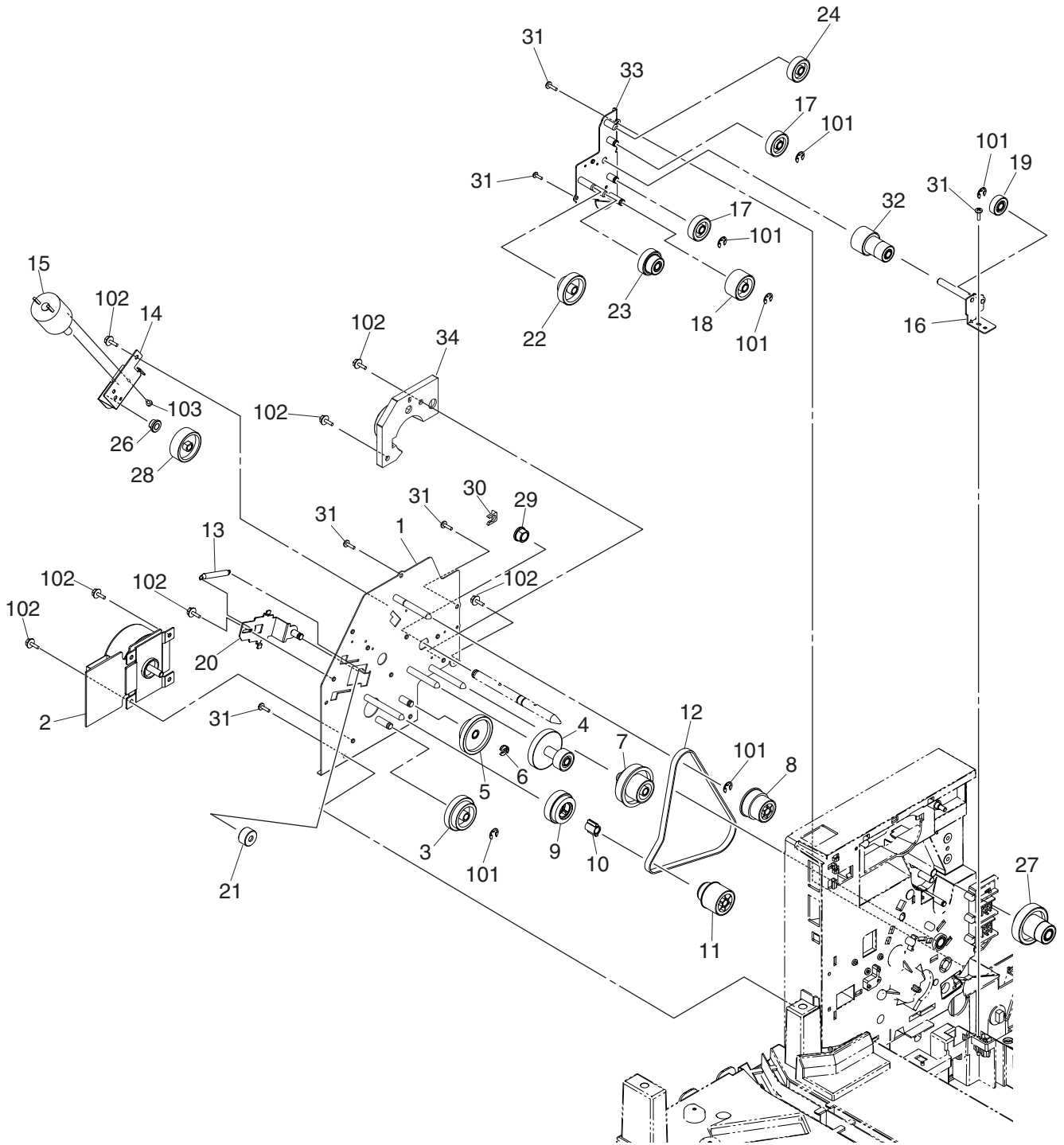




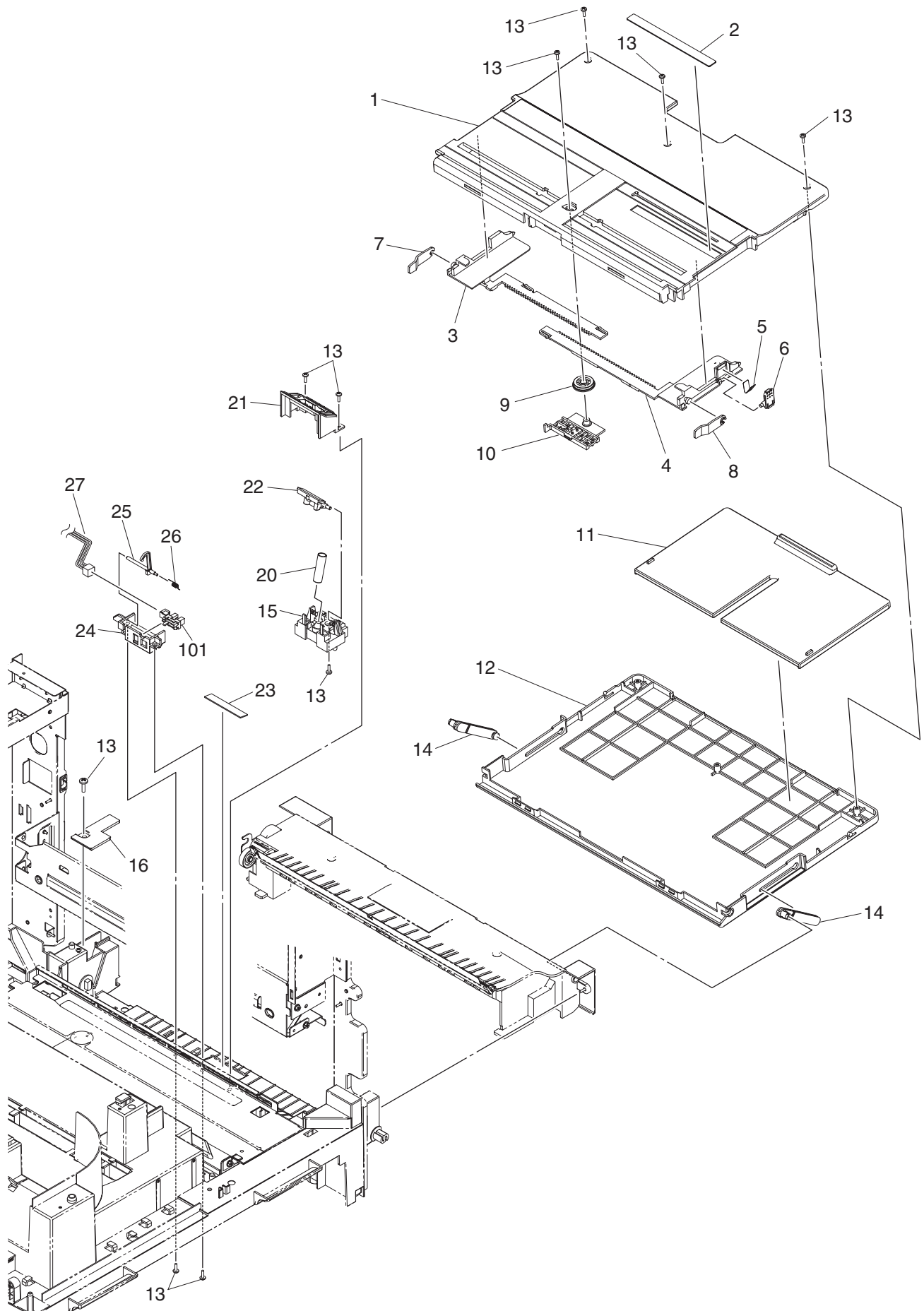
| ITEM No. | PART No. | PART NAME | Q'TY / PAGE | Q'TY / PACK | P | I | R | BSI No. | TO | FROM | REMARKS |
|----------|-------------|---------------------|-------------|-------------|---|---|---|---------|----|------|---------|
| 1 | 6LE63997000 | MOTR_S-SCN-280 | 1 | 1/C | | | | | | | |
| 2 | 6LE60636000 | PLT-MOT-SCAN | 1 | 1/P | | | | | | | |
| 3 | 6LE63356000 | HRNS-SCN-MOT-280 | 1 | | | | | | | | |
| 5 | 6LE60634000 | BRKT-MOT-SCAN | 1 | 1/P | | | | | | | |
| 6 | 6LE60686000 | BELT-E2M-276-4 | 1 | 1/P | | | | | | | |
| 7 | 6LE60626000 | PLT-SFT-HLDR | 1 | 1/P | | | | | | | |
| 8 | 6LE60642000 | ASYS-BELT-TENSION | 1 | 1/P | | | | | | | |
| 11 | 6LA08937000 | SCREW-BKT-DEV | 1 | 10/P | | | | | | | |
| 12 | 6LE60682000 | BELT-E2M-1290-4 | 1 | 1/P | | | | | | | |
| 13 | 6LE60616000 | ASYS-PULLEY-SCAN | 1 | 1/P | | | | | | | |
| 15 | 6LE60654000 | PLY-TENSION-12 | 1 | 1/P | | | | | | | |
| 16 | 6LE60678000 | SPRING-TENSION | 1 | 1/P | | | | | | | |
| 18 | 6LE60662000 | PULLEY-30STE2 | 2 | 1/P | | | | | | | |
| 19 | 4407972860 | STOP-RING-6-5 | 4 | 5/P | | | | | | | |
| 20 | 6LA80090000 | S/TTP/BID-3*8-NI | 1 | 5/P | | | | | | | |
| 21 | 6LE60670000 | PULLEY-40_S16STE2 | 1 | 1/P | | | | | | | |
| 101 | X0-02113000 | S/PAN-M3X4-NI | 2 | 10/P | | | | | | | |
| 103 | X0-02238000 | S/TPS/FHEXM-3X6-ZU3 | 1 | 10/P | | | | | | | |
| 104 | X0-02239000 | S/TPS/FHEXM-3X8-ZU3 | 8 | 10/P | | | | | | | |
| | | | | | | | | | | | |
| | | | | | | | | | | | |
| | | | | | | | | | | | |
| | | | | | | | | | | | |
| | | | | | | | | | | | |
| | | | | | | | | | | | |
| | | | | | | | | | | | |
| | | | | | | | | | | | |
| | | | | | | | | | | | |
| | | | | | | | | | | | |
| | | | | | | | | | | | |
| | | | | | | | | | | | |
| | | | | | | | | | | | |
| | | | | | | | | | | | |
| | | | | | | | | | | | |
| | | | | | | | | | | | |
| | | | | | | | | | | | |
| | | | | | | | | | | | |

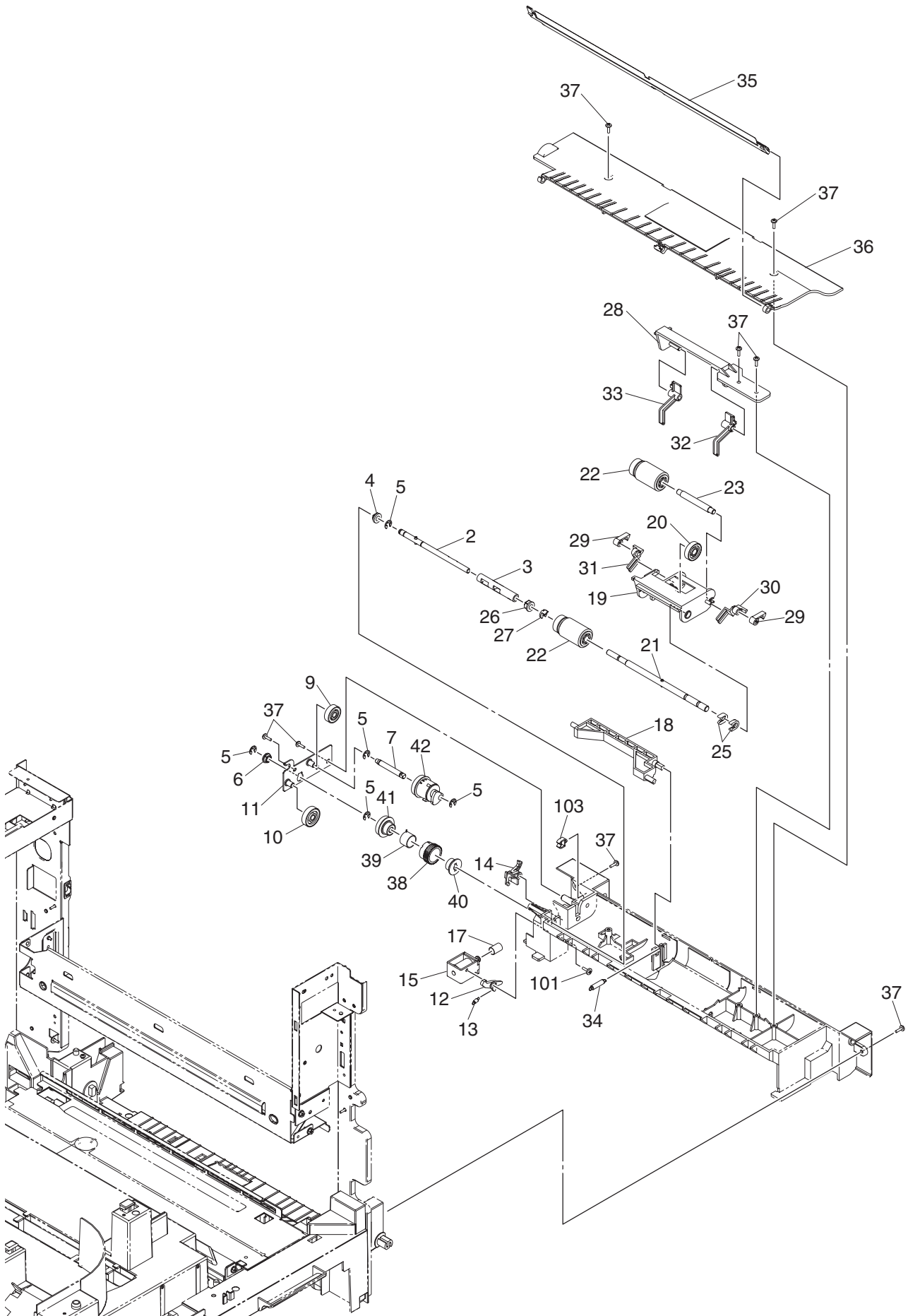


| ITEM No. | PART No. | PART NAME | Q'TY / PAGE | Q'TY / PACK | P | I | R | BSI No. | TO | FROM | REMARKS |
|----------|-------------|----------------------|-------------|-------------|---|---|---|---------|----|------|---------|
| 1 | 6LE62362000 | ASYS-CASE-SIDE | 1 | 1/PP | | | | | | | |
| 2 | 6LE62338000 | ASYS-COV-SIDE-IN | 1 | | | | | | | | |
| 3 | 6LA88240000 | FILTER-OZONE-TRU-371 | 1 | 1/C | | | | | | | |
| 4 | 6LE62374000 | ASYS-COV-FILTER | 1 | 1/PP | | | | | | | |
| 5 | 6LE62392000 | GUIDE-PUSH-TRU | 2 | 1/P | | | | | | | |
| 6 | 6LE62403000 | SPC-PUSH-RGST | 2 | 1/P | | | | | | | |
| 7 | 6LE62400000 | PUSH-ROL-RGST | 2 | 1/P | | | | | | | |
| 8 | 6LE62386000 | ARM-TRU-F | 1 | 1/P | | | | | | | |
| 9 | 6LE62387000 | ARM-TRU-R | 1 | 1/P | | | | | | | |
| 10 | 6LE62348000 | GUIDE-TR-280 | 1 | 1/P | | | | | | | |
| 11 | 6LE62354000 | TERM-CH-TR-280 | 1 | 1/P | | | | | | | |
| 12 | 6LE62351000 | SPC-CH-TR-R | 2 | 1/P | | | | | | | |
| 13 | 6LE62345000 | EARTH-TRU | 1 | 1/P | | | | | | | |
| 14 | 6LE62410000 | LEVER-SIDE-COV | 1 | 1/P | | | | | | | |
| 15 | 6LA88343000 | SPC-CH-TR | 1 | 1/P | | | | | | | |
| 16 | 6LA85880000 | GEAR-10S020-08 | 1 | 1/P | | | | | | | |
| 17 | X0-01526000 | P/PRL/AH7-2X12-SS | 1 | 10/P | | | | | | | |
| 18 | 6LE57203000 | ROLLER-RGST-280 | 1 | 1/KP | | | | | | | |
| 19 | 41306265000 | STOP RING | 1 | 1/P | | | | | | | |
| 20 | F0-01470000 | KI-100M | 1 | 5/P | | | | | | | |
| 21 | 6LE62470000 | WSHR-85X185XR5-ABS | 2 | 5/P | | | | | | | |
| 23 | 6LE62344000 | FAN_P7530-280 | 1 | 1/D | | | | | | | |
| 100 | 6LA80090000 | S/TPP/BID-3*8-NI | 9 | 5/P | | | | | | | |
| 101 | X0-00968000 | RR/E-7-SS | 1 | 10/P | | | | | | | |
| | | | | | | | | | | | |
| | | | | | | | | | | | |
| | | | | | | | | | | | |
| | | | | | | | | | | | |
| | | | | | | | | | | | |
| | | | | | | | | | | | |
| | | | | | | | | | | | |
| | | | | | | | | | | | |
| | | | | | | | | | | | |
| | | | | | | | | | | | |
| | | | | | | | | | | | |
| | | | | | | | | | | | |
| | | | | | | | | | | | |
| | | | | | | | | | | | |
| | | | | | | | | | | | |
| | | | | | | | | | | | |
| | | | | | | | | | | | |
| | | | | | | | | | | | |
| | | | | | | | | | | | |

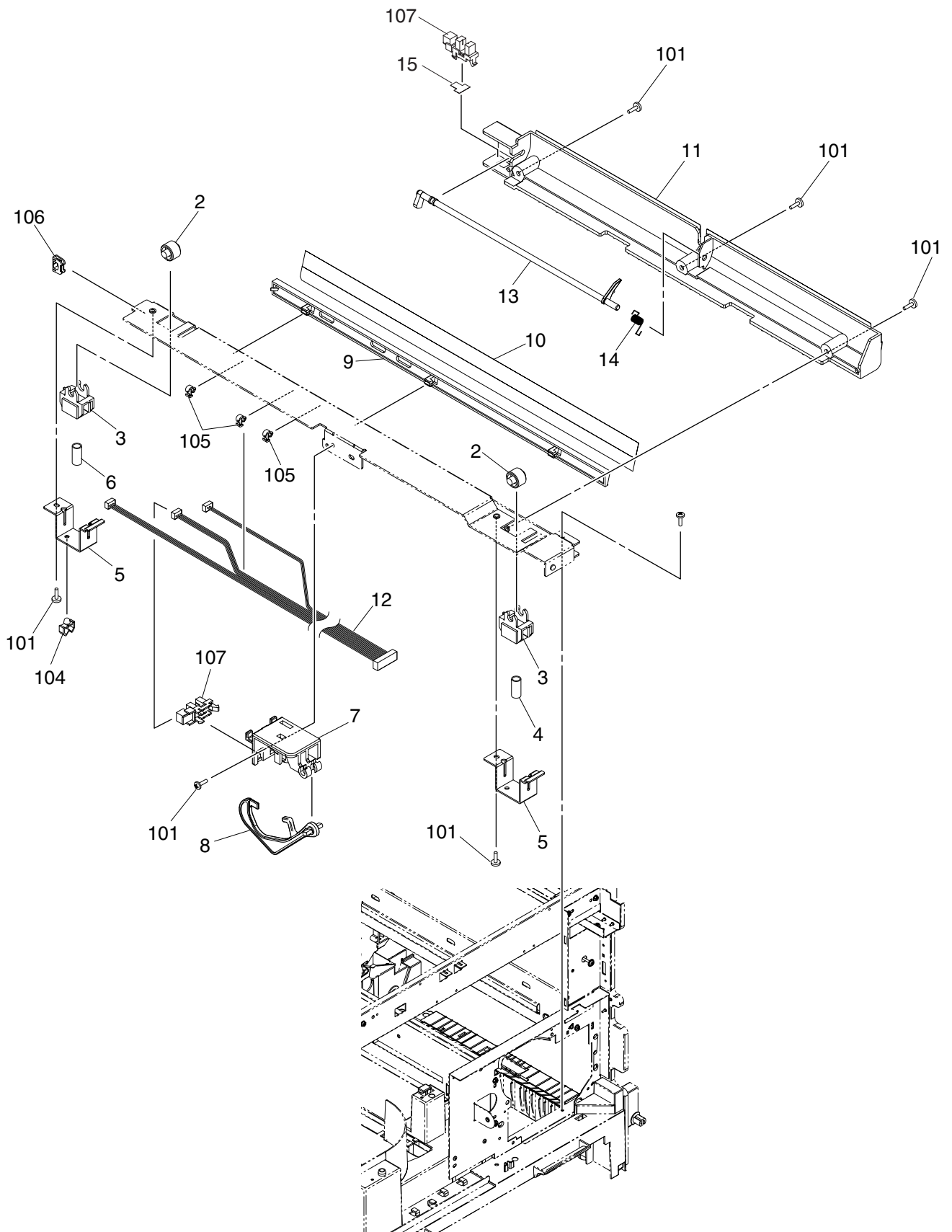


| ITEM No. | PART No. | PART NAME | Q'TY / PAGE | Q'TY / PACK | P | I | R | BSI No. | TO | FROM | REMARKS |
|----------|-------------|---------------------------|-------------|-------------|---|---|---|---------|----|------|---------|
| 1 | 6LE56651000 | ASYS-PLATE-DRV-280 | 1 | 1/P | | | | | | | |
| 2 | 6LE56673000 | MOTR.D-MAIN-280 | 1 | 1/C | | | | | | | |
| 3 | 6LE56640000 | GEAR-5H62L_10H25L-6 | 1 | 1/P | | | | | | | |
| 4 | 6LE56642000 | GEAR-10H37L_10H17L-6 | 1 | 1/P | | | | | | | |
| 5 | 6LE56645000 | GEAR-10H36R_10H21R-6 | 1 | 1/P | | | | | | | |
| 6 | 4406520870 | STOPPER-6-3 | 1 | 5/P | | | | | | | |
| 7 | 6LE56641000 | GEAR-10S23_P2STE62_10H21R | 1 | 1/P | | | | | | | |
| 8 | 6LE56644000 | GEAR-10S21_P2STE43-6 | 1 | 1/P | | | | | | | |
| 9 | 6LE56639000 | ASYS-GEAR-5H56L-6-COUP | 1 | 1/P | | | | | | | |
| 10 | 6LE56653000 | COUPL-GR-P-JOINT-280 | 1 | 1/P | | | | | | | |
| 11 | 6LE56637000 | ASYS-GEAR-10S24_P2STE30 | 1 | 1/P | | | | | | | |
| 12 | 6LE56603000 | BLT.SY-ST2-400-6-B | 1 | 1/P | | | | | | | |
| 13 | 6LE56610000 | SPG-TENS-ROL-280 | 1 | 1/P | | | | | | | |
| 14 | 6LE56608000 | BRKT-DRV-TNR | 1 | 1/P | | | | | | | |
| 15 | 6LA82280000 | M/DC-TNR-371 | 1 | 1/C | | | | | | | |
| 16 | 6LE56614000 | ASYS-BRKT-GEAR-280 | 1 | 1/P | | | | | | | |
| 17 | 6LE56630000 | GEAR-10H21R-6 | 2 | 1/P | | | | | | | |
| 18 | 6LE56623000 | GEAR-10H23L-6 | 1 | 1/P | | | | | | | |
| 19 | 6LE56618000 | GEAR-8S21-6 | 1 | 1/P | | | | | | | |
| 20 | 6LE56649000 | ASYS-BRKT-BLT-TENS | 1 | 1/P | | | | | | | |
| 21 | 6LA82311000 | TENS-ROLLER | 1 | | | | | | | | |
| 22 | 6LE56619000 | GEAR-8H35R_8S19-6 | 1 | 1/P | | | | | | | |
| 23 | 6LE56621000 | GEAR-10H22L_8H19L-6 | 1 | 1/P | | | | | | | |
| 24 | 6LE56620000 | GEAR-10H21L-6 | 1 | 1/P | | | | | | | |
| 26 | 44201492000 | BUSH-6-POM | 1 | 5/P | | | | | | | |
| 27 | 6LE56646000 | GEAR-10S37_10H17R_10S19-8 | 1 | 1/P | | | | | | | |
| 28 | 6LE56633000 | GEAR-5H60L-6-WORM-TNR | 1 | 1/P | | | | | | | |
| 29 | 6LA65698000 | BUSH-8X12X8F | 1 | 5/P | | | | | | | |
| 30 | 41306265000 | STOP RING | 1 | 1/P | | | | | | | |
| 31 | 6LA80090000 | S/TPP/BID-3*8-NI | 6 | 5/P | | | | | | | |
| 32 | 6LE56613000 | GEAR-10H21L_8S19-6 | 1 | 1/P | | | | | | | |
| 33 | 6LE56624000 | ASYS-BRKT-DRV-FEED-280 | 1 | 1/P | | | | | | | |
| 34 | 6LE56677000 | ASYS-HLDR-RGST-SFT | 1 | 1/P | | | | | | | |
| 101 | X0-00966000 | RR/E-5-SS | 6 | 10/P | | | | | | | |
| 102 | X0-02239000 | S/TPS/FHEXM-3X8-ZU3 | 7 | 10/P | | | | | | | |
| 103 | X0-01670000 | S/PAN-M2.6X4-NC | 1 | 10/P | | | | | | | |
| | | | | | | | | | | | |
| | | | | | | | | | | | |
| | | | | | | | | | | | |
| | | | | | | | | | | | |
| | | | | | | | | | | | |
| | | | | | | | | | | | |
| | | | | | | | | | | | |
| | | | | | | | | | | | |
| | | | | | | | | | | | |
| | | | | | | | | | | | |
| | | | | | | | | | | | |
| | | | | | | | | | | | |

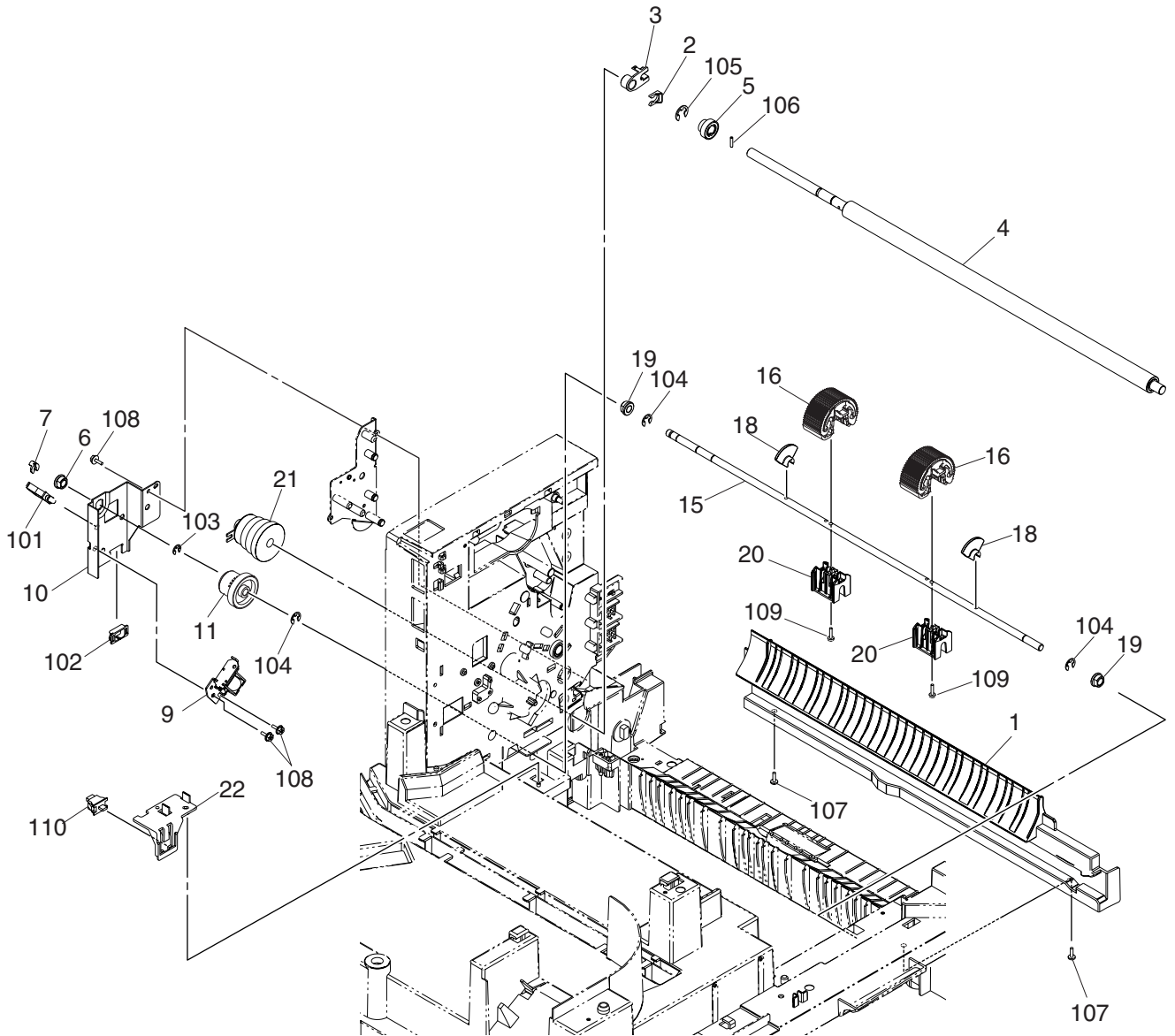


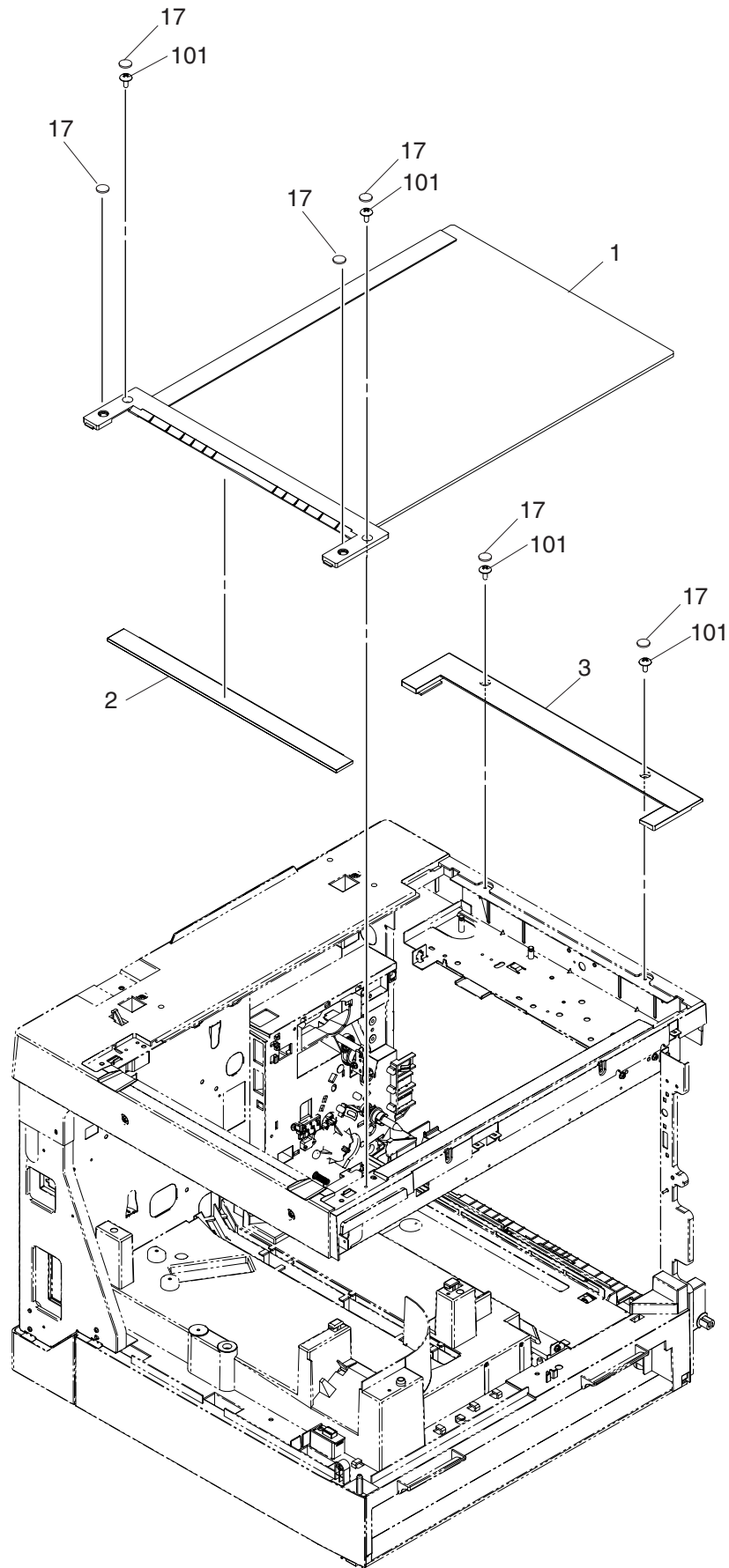


| ITEM No. | PART No. | PART NAME | Q'TY / PAGE | Q'TY / PACK | P | I | R | BSI No. | TO | FROM | REMARKS |
|----------|-------------|---------------------|-------------|-------------|---|---|---|---------|----|------|---------|
| 2 | 6LE53490000 | ASYS-SHAFT-RLR-FEED | 1 | 1/P | | | | | | | |
| 3 | 6LE53431000 | COUPL-SHAFT-FEED | 1 | 1/P | | | | | | | |
| 4 | 6LE53441000 | BUSH-5X8X4R2F-POM | 1 | 5/P | | | | | | | |
| 5 | X0-00965000 | RR/E-4-SS | 5 | 10/P | | | | | | | |
| 6 | 6LE53492000 | BUSH-5X8X4R2F-GCB | 1 | 5/P | | | | | | | |
| 7 | 6LE53467000 | STUD-CLUCH-PICK | 1 | 1/P | | | | | | | |
| 9 | 6LE53434000 | GEAR-08S20-5 | 1 | 1/P | | | | | | | |
| 10 | 6LE53435000 | GEAR-08S23-5 | 1 | 1/P | | | | | | | |
| 11 | 6LE53459000 | ASYS-GEAR-GUIDE | 1 | 1/P | | | | | | | |
| 12 | 6LE53427000 | PAWL-ARM-B | 1 | 1/P | | | | | | | |
| 13 | 6LE53469000 | SPG-PAWL-RCHT | 1 | 5/P | | | | | | | |
| 14 | 6LE53429000 | PAWL-ARM-A | 1 | 1/P | | | | | | | |
| 15 | 6LE56678000 | SOL-06A-FED-280 | 1 | 1/D | | | | | | | |
| 17 | 6LE53465000 | SPG-SOL-FEED | 1 | 5/P | | | | | | | |
| 18 | 6LE53432000 | ARM-CAM-LINK | 1 | 1/P | | | | | | | |
| 19 | 6LE53405000 | ARM-PICK | 1 | 1/P | | | | | | | |
| 20 | 6LE53413000 | GEAR-06S29-6 | 1 | 1/P | | | | | | | |
| 21 | 6LE53494000 | ASYS-SHAFT-A | 1 | 1/P | | | | | | | |
| 22 | 6LA79037000 | ASYS-ROL-PICK-371 | 2 | 1/P | | | | | | | |
| 23 | 6LE53417000 | SHAFT-PICK | 1 | 1/P | | | | | | | |
| 25 | 4407972860 | STOP-RING-6-5 | 2 | 5/P | | | | | | | |
| 26 | 6LE53430000 | BUSH-5X8X6R2F-POM | 1 | 5/P | | | | | | | |
| 27 | 6LE53442000 | RR/E-5-POM | 1 | 5/P | | | | | | | |
| 28 | 6LE53408000 | HLDR-STOP-BYP | 1 | 1/P | | | | | | | |
| 29 | 6LE53444000 | ARM-STOP | 2 | 1/P | | | | | | | |
| 30 | 6LE53414000 | LEVER-STOP-L | 1 | 1/P | | | | | | | |
| 31 | 6LE53416000 | LEVER-STOP-R | 1 | 1/P | | | | | | | |
| 32 | 6LE53412000 | STOPPER-L | 1 | 1/P | | | | | | | |
| 33 | 6LE53410000 | STOPPER-R | 1 | 1/P | | | | | | | |
| 34 | 6LE53464000 | SPG-RLR-PICK | 1 | 1/P | | | | | | | |
| 35 | 6LE53496000 | ASYS-GUIDE-COVER | 1 | 1/C | | | | | | | |
| 36 | 6LE53400000 | COVER-FRAM-FEED | 1 | 1/P | | | | | | | |
| 37 | 6LA80090000 | S/TPP/BID-3*8-NI | 6 | 5/P | | | | | | | |
| 38 | 6LE53433000 | BOSS-CLUCH-FEED | 1 | 1/P | | | | | | | |
| 39 | 6LE53462000 | SPG-CLUCH-FEED | 1 | 1/P | | | | | | | |
| 40 | 6LE53425000 | CAP-CLUCH-FEED | 1 | 1/P | | | | | | | |
| 41 | 6LE53426000 | GEAR-CLUCH-FEED | 1 | 1/P | | | | | | | |
| 42 | 6LE53487000 | ASYB-CLUCH-PICK | 1 | 1/C | | | | | | | |
| 101 | X0-00434000 | S/BID-M3X8-NI | 1 | 10/P | | | | | | | |
| 103 | F0-01048000 | UAMS-05-0 | 1 | 5/P | | | | | | | |
| | | | | | | | | | | | |
| | | | | | | | | | | | |
| | | | | | | | | | | | |
| | | | | | | | | | | | |
| | | | | | | | | | | | |
| | | | | | | | | | | | |
| | | | | | | | | | | | |
| | | | | | | | | | | | |
| | | | | | | | | | | | |
| | | | | | | | | | | | |
| | | | | | | | | | | | |
| | | | | | | | | | | | |
| | | | | | | | | | | | |
| | | | | | | | | | | | |
| | | | | | | | | | | | |

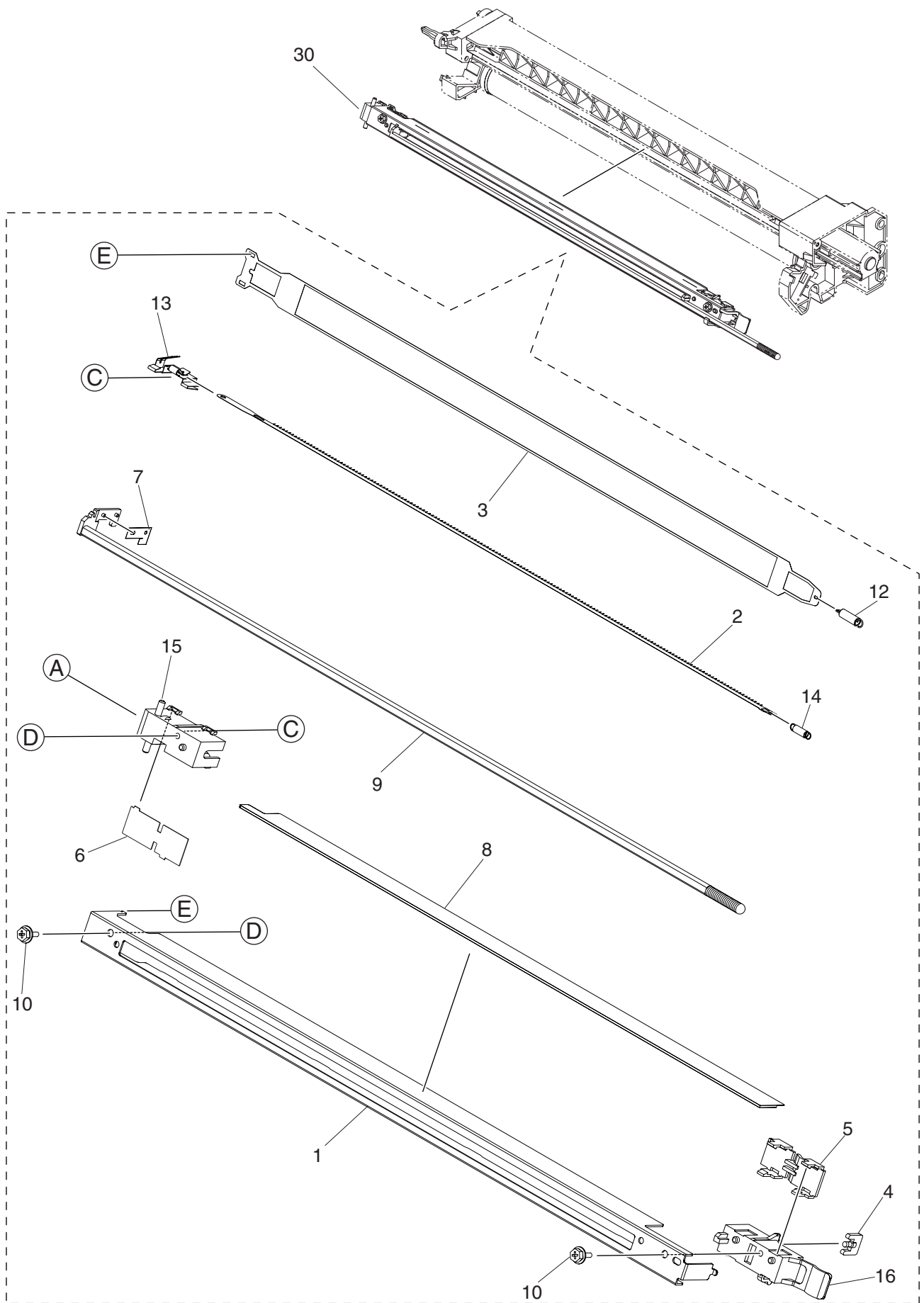


| ITEM No. | PART No. | PART NAME | Q'TY / PAGE | Q'TY / PACK | P | I | R | BSI No. | TO | FROM | REMARKS |
|----------|-------------|-------------------|-------------|-------------|---|---|---|---------|----|------|---------|
| 2 | 4402843920 | ROLLER-PUSHER | 2 | 5/P | | | | | | | |
| 3 | 6LE57971000 | PUSHER-DEV-280 | 2 | 1/P | | | | | | | |
| 4 | 6LA82106000 | SPC-PUSH-DEV-F | 1 | | | | | | | | |
| 5 | 6LE57970000 | BRKT-HOLD-SP-280 | 2 | 1/P | | | | | | | |
| 6 | 6LA82107000 | SPC-PUSH-DEV-R | 1 | | | | | | | | |
| 7 | 6LE53708000 | BRKT-SNSR-280 | 1 | 1/P | | | | | | | |
| 8 | 6LE53709000 | ACTR-SNSR-280 | 1 | 1/P | | | | | | | |
| 9 | 6LE58000000 | GUIDE-MYLAR-RGST | 1 | 1/P | | | | | | | |
| 10 | 6LE58001000 | MYLAR-RGST-280 | 1 | 1/KP | | | | | | | |
| 11 | 6LE57213000 | ASYS-GUIDE-RGST-L | 1 | 1/KP | | | | | | | |
| 12 | 6LE63358000 | HRNS-RGST-SW-280 | 1 | | | | | | | | |
| 13 | 6LE57204000 | ACTR-RGST-280 | 1 | 1/P | | | | | | | |
| 14 | 6LE57220000 | SPG-ACT-RGST | 1 | 1/P | | | | | | | |
| 15 | 6LA85910000 | MYLAR-SUPPORT-SNS | 1 | 5/P | | | | | | | |
| 101 | X0-02070000 | S/TPS/BID-3X8-ZU3 | 6 | 10/P | | | | | | | |
| 104 | F0-00043000 | UAMS-05SN-W | 1 | 5/P | | | | | | | |
| 105 | F0-01046000 | UAMS-02WL-0 | 3 | 5/P | | | | | | | |
| 106 | F0-00339000 | EHP-6U | 1 | 5/P | | | | | | | |
| 107 | C0-11250000 | LG248NL1 | 2 | 1/P | | | | | | | |
| | | | | | | | | | | | |
| | | | | | | | | | | | |
| | | | | | | | | | | | |
| | | | | | | | | | | | |
| | | | | | | | | | | | |
| | | | | | | | | | | | |
| | | | | | | | | | | | |
| | | | | | | | | | | | |
| | | | | | | | | | | | |
| | | | | | | | | | | | |
| | | | | | | | | | | | |
| | | | | | | | | | | | |
| | | | | | | | | | | | |
| | | | | | | | | | | | |

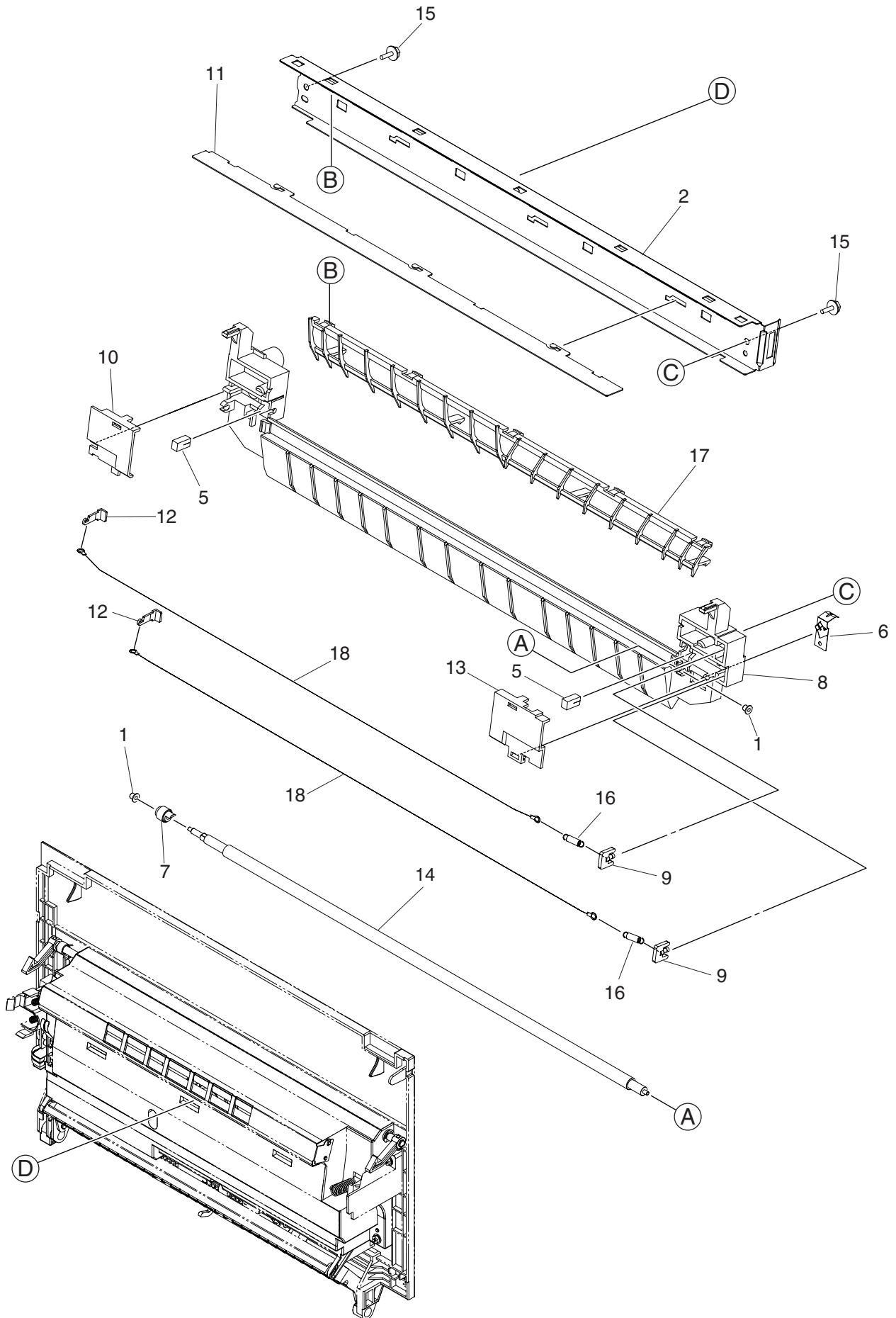




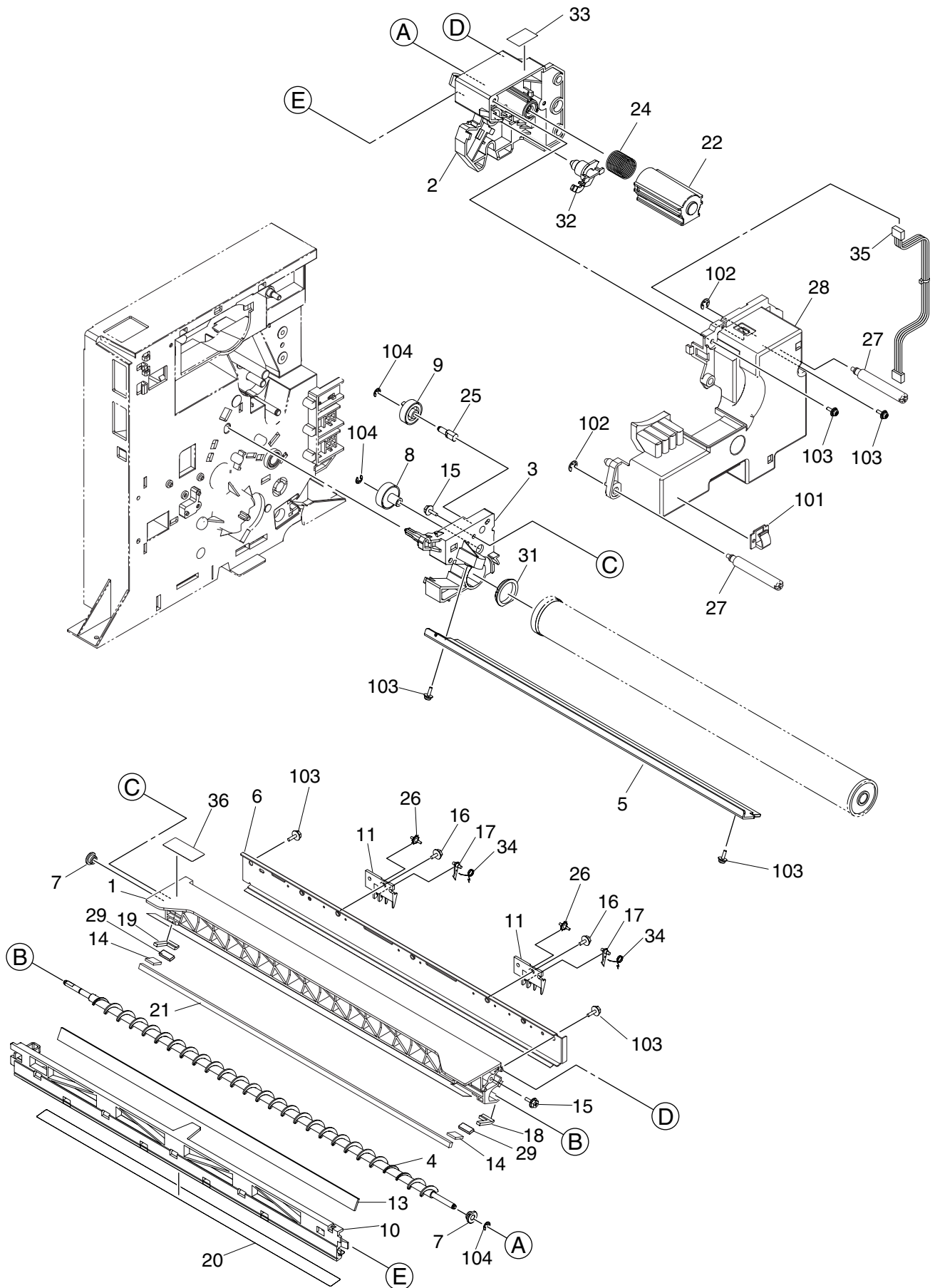
| ITEM No. | PART No. | PART NAME | Q'TY / PAGE | Q'TY / PACK | P | I | R | BSI No. | TO | FROM | REMARKS |
|----------|-------------|-------------------------|-------------|-------------|---|---|---|---------|----|------|-------------------------|
| 1 A | 6LE60740100 | ASYS-GLASS-PLATEN-280-L | 1 | 1/S | | | | | | | NAD |
| 1 B | 6LE60740000 | ASYS-GLASS-PLATEN-280-A | 1 | 1/S | | | | | | | ASU,SAD,ASD,AUD,MJD,ARD |
| 1 C | 6LE60740200 | ASYS-GLASS-PLATEN-280-K | 1 | 1/S | | | | | | | CND |
| 2 | 6LE60728000 | ASYS-GLASS-ADF-280 | 1 | 1/KP | | | | | | | |
| 3 | 6LE60770000 | HOLDER-GLASS-280 | 1 | 1/P | | | | | | | |
| 17 | 6LE08071000 | LID-SCREW-390 | 6 | 5/P | | | | | | | |
| 101 | X0-00430000 | S/BID-M3X6-NI | 4 | 10/P | | | | | | | |
| | | | | | | | | | | | |
| | | | | | | | | | | | |
| | | | | | | | | | | | |
| | | | | | | | | | | | |
| | | | | | | | | | | | |
| | | | | | | | | | | | |
| | | | | | | | | | | | |
| | | | | | | | | | | | |
| | | | | | | | | | | | |
| | | | | | | | | | | | |
| | | | | | | | | | | | |
| | | | | | | | | | | | |
| | | | | | | | | | | | |
| | | | | | | | | | | | |
| | | | | | | | | | | | |

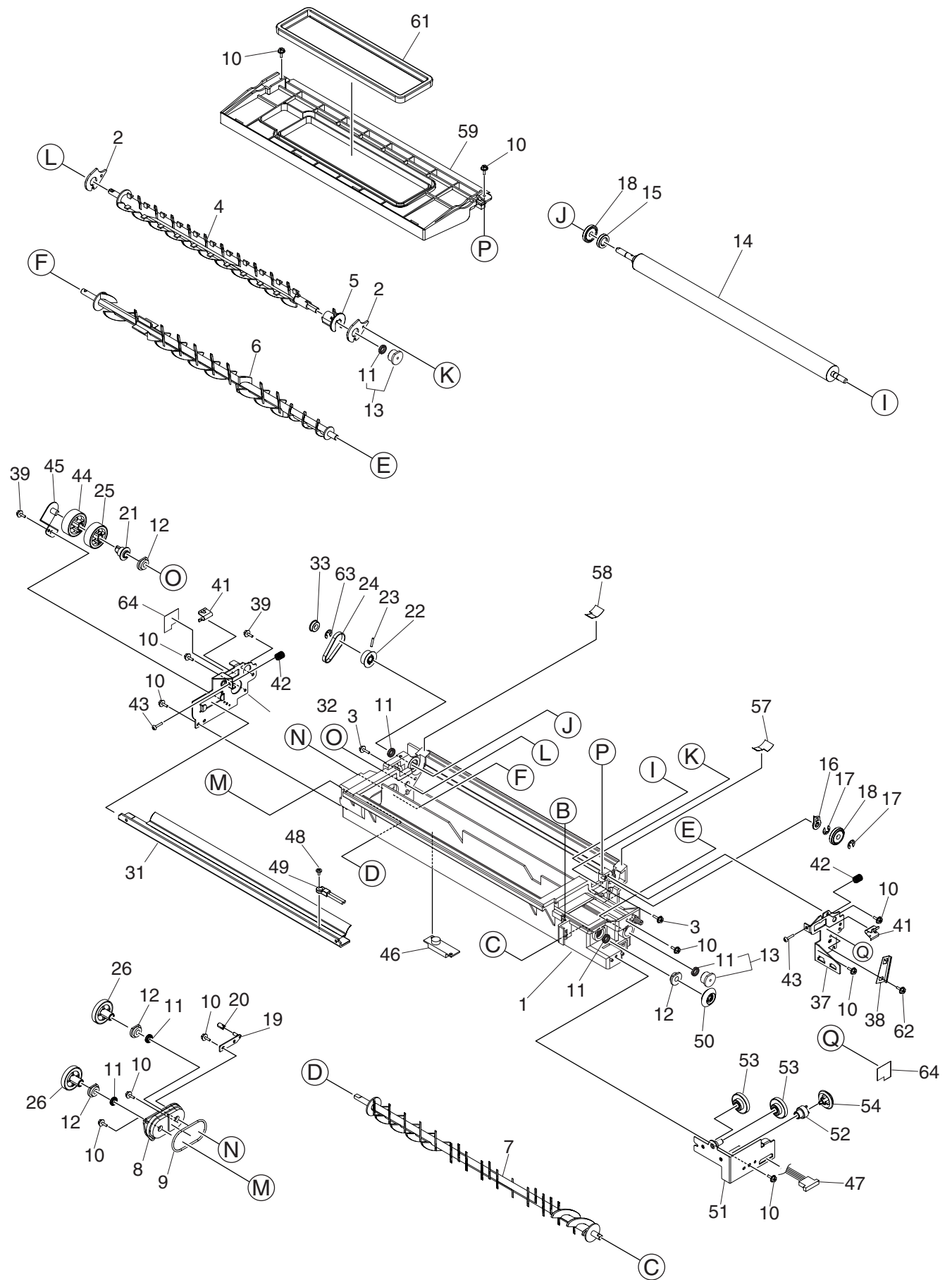


| ITEM No. | PART No. | PART NAME | Q'TY / PAGE | Q'TY / PACK | P | I | R | BSI No. | TO | FROM | REMARKS |
|----------|-------------|----------------------|-------------|-------------|---|---|---|---------|----|------|---------|
| 1 | 6LA84920000 | CASE-CH-M | 1 | 1/P | | | | | | | |
| 2 | 6LA84925000 | CH-M | 1 | 1/KP | | | | | | | |
| 3 | 6LA84930000 | GRID-CH-M-371 | 1 | 1/KP | | | | | | | |
| 4 | 4401764730 | HANGER-WIRE-TR | 1 | 1/P | | | | | | | |
| 5 | 6LA84944000 | LID-CH-M-F | 1 | 1/P | | | | | | | |
| 6 | 6LA84947000 | LID-CH-M-R | 1 | 1/P | | | | | | | |
| 7 | 6LA84941000 | MYLAR-CLN-CH | 1 | 5/P | | | | | | | |
| 8 | 6LA84957000 | MYLAR-LED | 1 | 1/KP | | | | | | | |
| 9 | 6LA84938000 | ROD-CLN-CH-M | 1 | 1/KP | | | | | | | |
| 10 | X0-02247000 | S/TPP/FH/FEXM-3X8-NI | 2 | 10/P | | | | | | | |
| 12 | 6LA84950000 | SPE-GR | 1 | 5/P | | | | | | | |
| 13 | 6LA84922000 | SPL-CH-M-R | 1 | 1/P | | | | | | | |
| 14 | 6LA84935000 | SPRING-TENS-CH | 1 | 5/P | | | | | | | |
| 15 | 6LA84915000 | TERM-CH-M-R | 1 | 1/P | | | | | | | |
| 16 | 6LA84910000 | TERM-CH-M-F | 1 | 1/P | | | | | | | |
| 30 | 6LA84902000 | ASY-CH-MAIN | 1 | 1/C | | | | | | | |
| | | | | | | | | | | | |
| | | | | | | | | | | | |
| | | | | | | | | | | | |
| | | | | | | | | | | | |
| | | | | | | | | | | | |
| | | | | | | | | | | | |
| | | | | | | | | | | | |
| | | | | | | | | | | | |
| | | | | | | | | | | | |
| | | | | | | | | | | | |
| | | | | | | | | | | | |
| | | | | | | | | | | | |
| | | | | | | | | | | | |
| | | | | | | | | | | | |
| | | | | | | | | | | | |
| | | | | | | | | | | | |
| | | | | | | | | | | | |
| | | | | | | | | | | | |
| | | | | | | | | | | | |
| | | | | | | | | | | | |
| | | | | | | | | | | | |

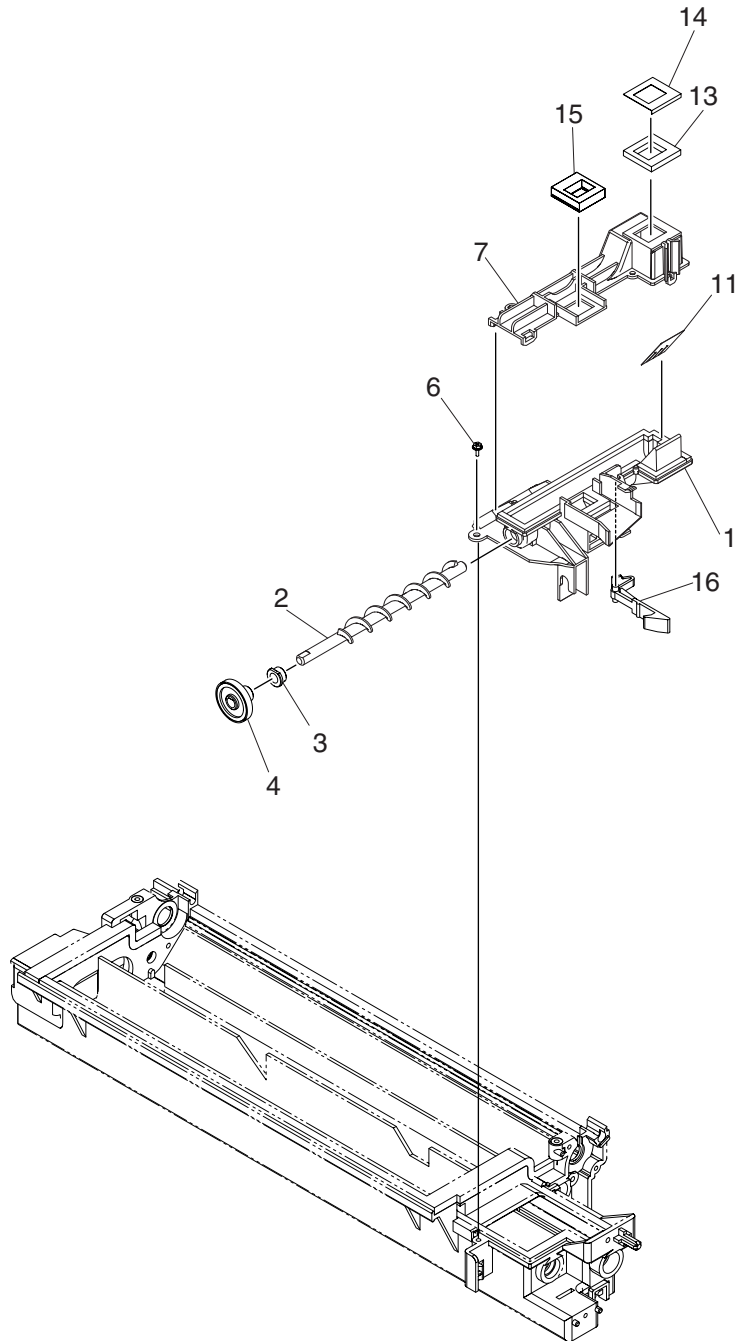


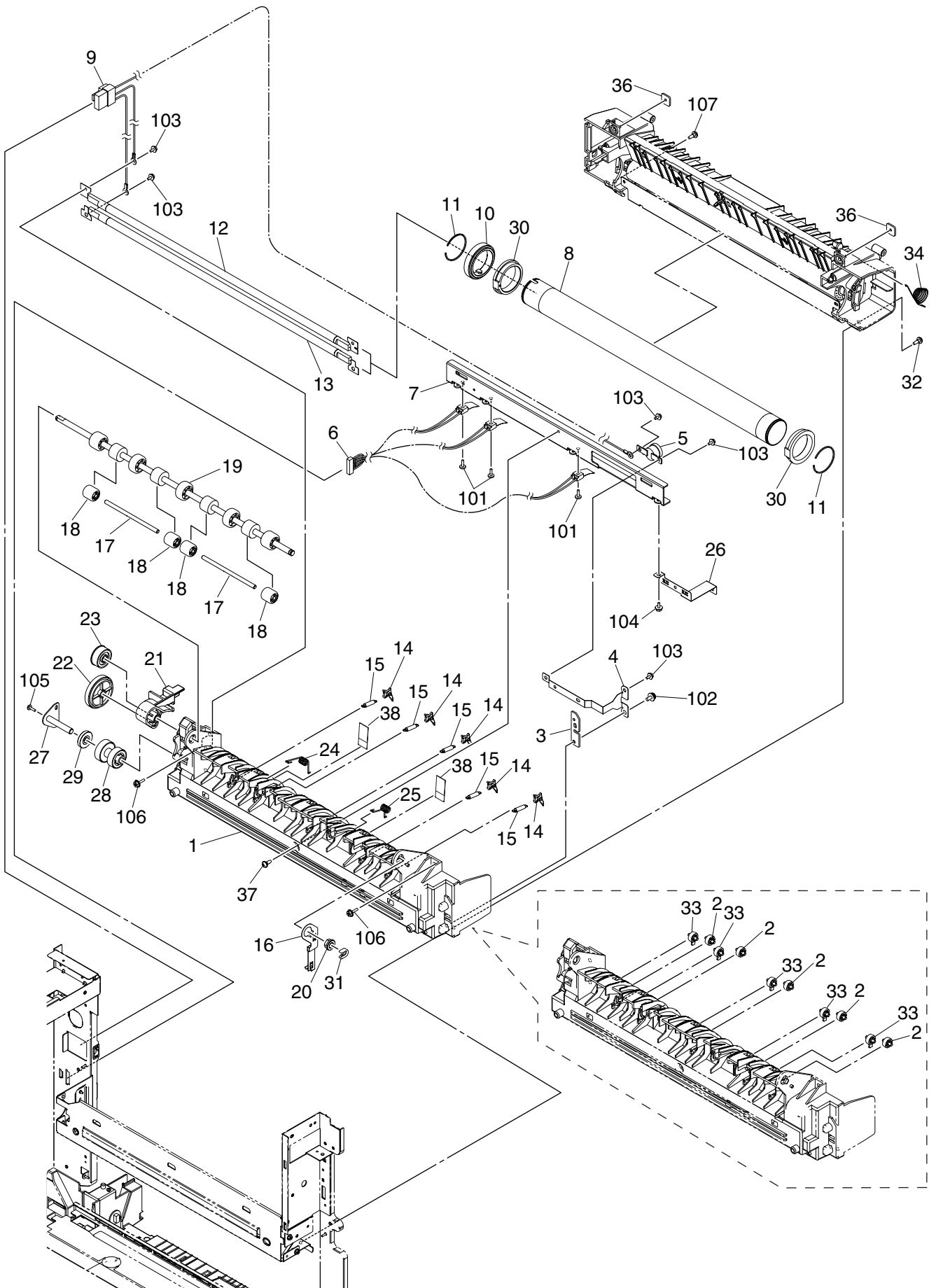
| ITEM No. | PART No. | PART NAME | Q'TY / PAGE | Q'TY / PACK | P | I | R | BSI No. | TO | FROM | REMARKS |
|----------|-------------|-------------------|-------------|-------------|---|---|---|---------|----|------|---------|
| 1 | 41306677000 | BUSH-RLR-GUIDE | 2 | 1/P | | | | | | | |
| 2 | 6LA88230000 | CASE-CH-TR | 1 | 1/P | | | | | | | |
| 5 | 41306712000 | DAMPER | 2 | 5/P | | | | | | | |
| 6 | 6LA88304000 | EARTH-CH-TR | 1 | 1/P | | | | | | | |
| 7 | 41306272000 | GEAR-RLR-GUIDE | 1 | 1/P | | | | | | | |
| 8 | 6LE62303000 | GUIDE-CH-TR-280 | 1 | 1/PP | | | | | | | |
| 9 | 4401764730 | HANGER-WIRE-TR | 2 | 1/P | | | | | | | |
| 10 | 6LA88245000 | LID-CH-TR-R | 1 | 1/P | | | | | | | |
| 11 | 6LA88238000 | PLT-CH-TR | 1 | 1/KP | | | | | | | |
| 12 | 44203860000 | PLT-TERM-1 | 2 | 1/P | | | | | | | |
| 13 | 6LA88244000 | LID-CH-TR-F | 1 | 1/P | | | | | | | |
| 14 | 41306530000 | ROLLER-GUIDE | 1 | 1/P | | | | | | | |
| 15 | 6LA80090000 | S/TTP/BID-3*8-NI | 2 | 5/P | | | | | | | |
| 16 | 6LA84935000 | SPRING-TENS-CH | 2 | 5/P | | | | | | | |
| 17 | 6LA88248000 | SUPPORTER-371 | 1 | 1/C | | | | | | | |
| 18 | 6LA88250000 | WIRE-CH-060-353-R | 2 | 1/P | | | | | | | |
| | | | | | | | | | | | |
| | | | | | | | | | | | |
| | | | | | | | | | | | |
| | | | | | | | | | | | |
| | | | | | | | | | | | |
| | | | | | | | | | | | |
| | | | | | | | | | | | |
| | | | | | | | | | | | |
| | | | | | | | | | | | |
| | | | | | | | | | | | |
| | | | | | | | | | | | |
| | | | | | | | | | | | |
| | | | | | | | | | | | |
| | | | | | | | | | | | |
| | | | | | | | | | | | |
| | | | | | | | | | | | |
| | | | | | | | | | | | |
| | | | | | | | | | | | |



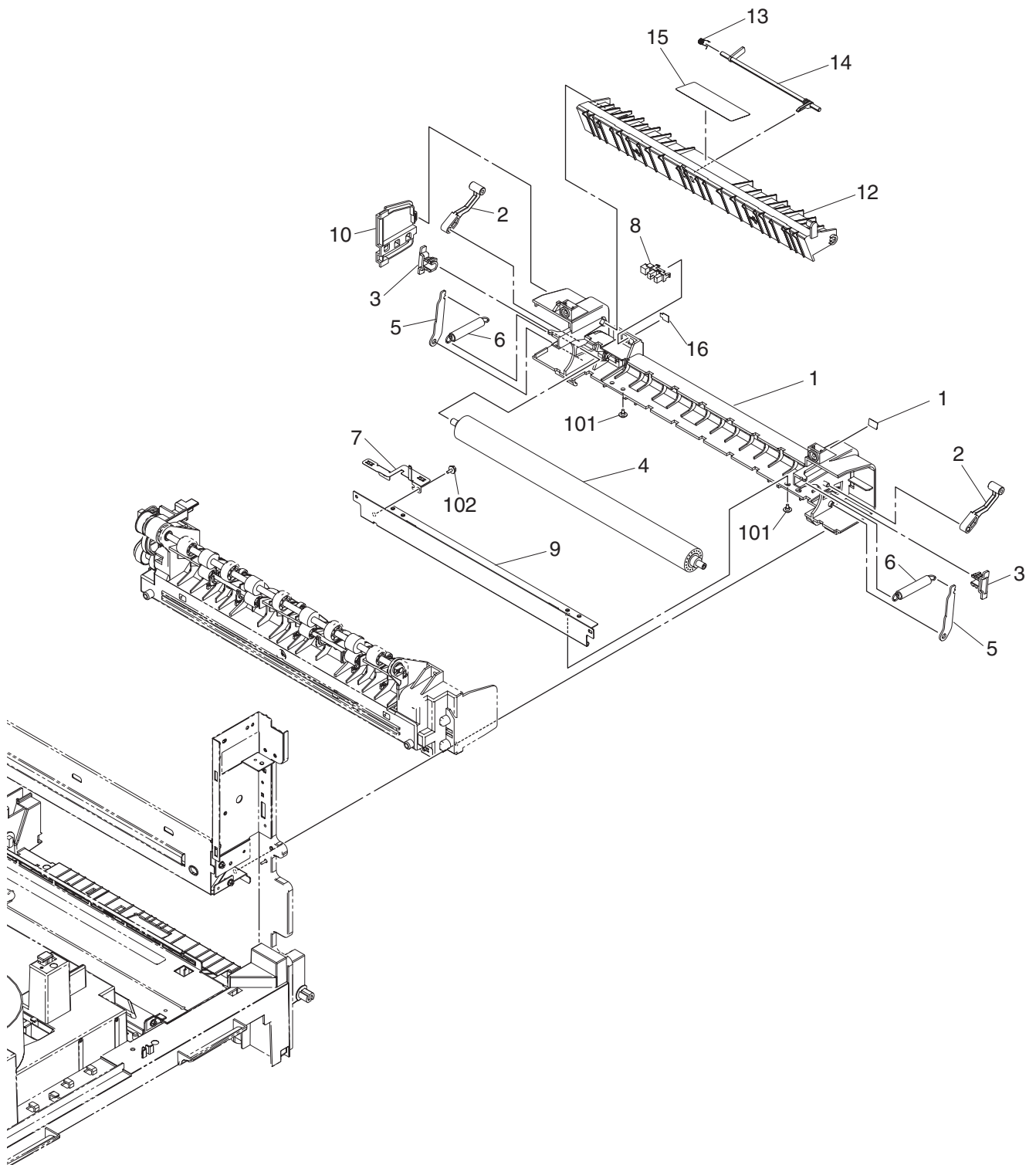


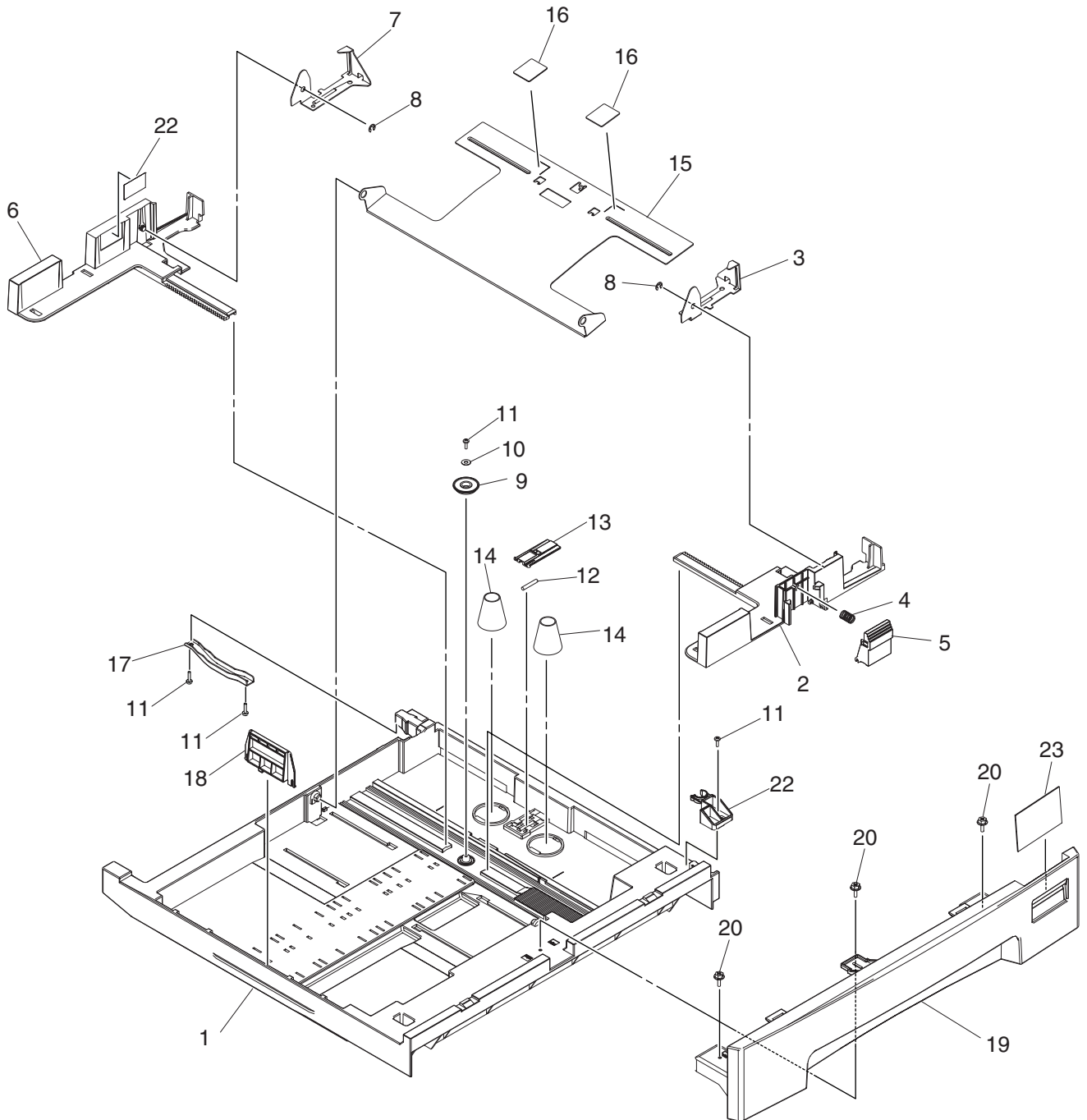
| ITEM No. | PART No. | PART NAME | Q'TY / PAGE | Q'TY / PACK | P | I | R | BSI No. | TO | FROM | REMARKS |
|----------|-------------|----------------------|-------------|-------------|---|---|---|---------|----|------|---------|
| 1 | 6LE55918000 | ASYS-CASE-DEV-280 | 1 | 1/P | | | | | | | |
| 2 | 6LA81632000 | PLATE-SIDE | 2 | 1/P | | | | | | | |
| 3 | X0-02232000 | S/FHEXM-M3X10-NI | 2 | 10/P | | | | | | | |
| 4 | 6LA81635000 | MIXER-1-371 | 1 | 1/C | | | | | | | |
| 5 | 6LA81636000 | SPACER-MIX | 1 | 1/P | | | | | | | |
| 6 | 6LA81639000 | ASYS-MIXER-2 | 1 | 1/KP | | | | | | | |
| 7 | 6LA81643000 | MIXER-3-371 | 1 | 1/P | | | | | | | |
| 8 | 6LE55966000 | BUSH-DEV-R-280 | 1 | 1/P | | | | | | | |
| 9 | 6LE55967000 | SEAL-BUSH-DEV-R | 1 | 1/KP | | | | | | | |
| 10 | 6LA80090000 | S/TTP/BID-3*8-NI | 11 | 5/P | | | | | | | |
| 11 | 4401949290 | SEAL-VC6-10-2.5 | 6 | 1/P | | | | | | | |
| 12 | 6LA65696000 | BUSH-6X12X4R8F | 4 | 5/P | | | | | | | |
| 13 | 6LA81645000 | ASYS-BUSH-0613-07 | 2 | 1/P | | | | | | | |
| 14 | 6LA81650000 | ROLLER-MG-371 | 1 | 1/C | | | | | | | |
| 15 | 4401950220 | V-RING-MG-210 | 1 | 1/P | | | | | | | |
| 16 | 6LA81652000 | BUSH-DEV | 1 | 5/P | | | | | | | |
| 17 | X0-00965000 | RR/E-4-SS | 2 | 10/P | | | | | | | |
| 18 | 6LA81662000 | ROLL-GUIDE-371 | 2 | 1/P | | | | | | | |
| 19 | 6LA81678000 | ASYS-BKT-DEV-TENS | 1 | 1/P | | | | | | | |
| 20 | 4401950980 | COLLAR-DEV-TENS | 1 | 5/P | | | | | | | |
| 21 | 6LA81670000 | PULLY-2GT16-6 | 1 | 1/P | | | | | | | |
| 22 | 6LA81666000 | PULLY-2GT27-6 | 1 | 1/P | | | | | | | |
| 23 | X0-00980000 | P/PRL/AH7-2X10-SS | 1 | 10/P | | | | | | | |
| 24 | 6LA81674000 | BLT/T-2GT-92 | 1 | 1/P | | | | | | | |
| 25 | 6LA81677000 | GEAR-10S27-CUP | 1 | 1/P | | | | | | | |
| 26 | 4402439380 | GR-10H27-5-06 | 2 | 1/P | | | | | | | |
| 31 | 6LA81656000 | ASYS-DOCTOR-371 | 1 | 1/KP | | | | | | | |
| 32 | 6LA81691000 | BRKT-DEV-R-371 | 1 | 1/P | | | | | | | |
| 33 | F0-00781000 | LF-1260ZZ | 1 | 1/P | | | | | | | |
| 37 | 6LA81711000 | BRKT-DEV-F-371 | 1 | 1/P | | | | | | | |
| 38 | 6LA81718000 | ADJUSTER-MG | 1 | 1/P | | | | | | | |
| 39 | X0-02239000 | S/TSPS/FHEXM-3X8-ZU3 | 2 | 10/P | | | | | | | |
| 41 | 4401949700 | SPL025-S631-DC2 | 2 | 1/P | | | | | | | |
| 42 | 4400672520 | SPC060-065-0130 | 2 | 1/P | | | | | | | |
| 43 | 6LA81610000 | SCREW-DOCTOR-371 | 2 | 10/P | | | | | | | |
| 44 | 6LA81724000 | GEAR-10S28-6 | 1 | 1/P | | | | | | | |
| 45 | 6LA81729000 | ASYS-BRKT-DRV | 1 | 1/P | | | | | | | |
| 46 | 6LE63990000 | SNR-ATC-280 | 1 | 1/C | | | | | | | |
| 47 | 6LE63301000 | HRNS-ATS-280 | 1 | | | | | | | | |
| 48 | X0-01725000 | S/BID-M3X5-BSNI | 1 | 10/P | | | | | | | |
| 49 | 6LA89113000 | THMS-DRM-371 | 1 | 1/C | | | | | | | |
| 50 | 6LA81685000 | GEAR-10B22-6 | 1 | 1/P | | | | | | | |
| 51 | 6LE55970000 | ASYS-BRKT-RECY | 1 | 1/P | | | | | | | |
| 52 | 6LA81888000 | GEAR-8S15-6 | 1 | 1/P | | | | | | | |
| 53 | 6LE55980000 | GEAR-8S29_8S18-6 | 1 | 1/P | | | | | | | |
| 54 | 6LA81881000 | GEAR-10B22-6-CUP | 1 | 1/P | | | | | | | |
| 57 | 6LA81780000 | SHEET-MG-F | 1 | 5/P | | | | | | | |
| 58 | 6LA81781000 | SHEET-MG-R | 1 | 5/P | | | | | | | |
| 59 | 6LA81790000 | ASYS-COV-DEV | 1 | 1/PP | | | | | | | |
| 61 | 6LA81700000 | COVER-DEV-BTL-371 | 1 | 1/P | | | | | | | |
| 62 | X0-00077000 | S/PAN/SWWP-M3X8-NI | 1 | 10/P | | | | | | | |
| 63 | X0-00966000 | RR/E-5-SS | 1 | 10/P | | | | | | | |
| 64 | 6LA81714000 | MYLAR-DOC-SLIDE | 2 | 5/P | | | | | | | |
| | | | | | | | | | | | |
| | | | | | | | | | | | |





| ITEM No. | PART No. | PART NAME | Q'TY / PAGE | Q'TY / PACK | P | I | R | BSI No. | TO | FROM | REMARKS |
|----------|-------------|------------------------|-------------|-------------|---|---|---|---------|----|------|-----------------------------|
| 1 | 6LE58460000 | FRAME-FUS-HR-280 | 1 | 1/PP | | | | | | | |
| 2 A | 6LA82550000 | ROLL-GUIDE-EXIT | 5 | | | | | | | | NAD,ASU,SAD,ASD,AUD,MJD,ARD |
| 2 B | 6LE25931000 | ROLL-FUS-GUIDE | 5 | | | | | | | | CND |
| 3 | 6LE58560000 | PLT-NUT-LMP-280 | 1 | 1/P | | | | | | | |
| 4 | 6LE58575000 | PLT-THMS-LMP-280 | 1 | 1/P | | | | | | | |
| 5 | 6LE64002000 | THRMST-HTR-280 | 1 | 1/C | | | | | | | |
| 6 | 6LE63998000 | THMS-HTR-280 | 1 | 1/C | | | | | | | |
| 7 | 6LE58520000 | ASYS-HLD-THMS-280 | 1 | 1/P | | | | | | | |
| 8 | 6LE19935000 | HR-1640-U | 1 | 1/S | | | | | | | |
| 9 | 6LE63314000 | HRNS-ACIN2-280 | 1 | | | | | | | | |
| 10 | 6LA84182000 | GEAR-HR-RLR | 1 | 1/P | | | | | | | |
| 11 | 41305515000 | CRR-HT/RLR | 2 | 5/P | | | | | | | |
| 12 A | 6LE58630100 | LAMP-HTR-C-371-NAD | 1 | 1/C | | | | | | | NAD,SAD |
| 12 B | 6LE58630200 | LAMP-HTR-C-371-MJD | 1 | 1/C | | | | | | | CND,ASU,ASD,AUD,MJD,ARD |
| 13 A | 6LE58631100 | LAMP-HTR-S-371-NAD | 1 | 1/C | | | | | | | NAD,SAD |
| 13 B | 6LE58631200 | LAMP-HTR-371-MJD | 1 | 1/C | | | | | | | CND,ASU,ASD,AUD,MJD,ARD |
| 14 | 6LE58590000 | SCRAPER-280 | 5 | 5/P | | | | | | | |
| 15 | 6LA84096000 | SPE-SCR-HR-371 | 5 | 1/P | | | | | | | |
| 16 | 6LE58530000 | EARTH-FUS-EXIT | 1 | 1/P | | | | | | | |
| 17 | 6LE58600000 | SFT-EXIT-IDLE-280 | 2 | 1/P | | | | | | | |
| 18 | 44203198000 | ROLL-EXIT-L-320 | 4 | 1/P | | | | | | | |
| 19 | 6LE58585000 | ROLLER-EXIT-280 | 1 | 1/KP | | | | | | | |
| 20 | 4407734980 | BUSH-6-GCB | 1 | 5/P | | | | | | | |
| 21 | 6LE58550000 | HLDR-GEAR-EXIT-280 | 1 | 1/P | | | | | | | |
| 22 | 6LE58540000 | GEAR-10S35-5 | 1 | 1/P | | | | | | | |
| 23 | 6LE58570000 | GEAR-10S20-8 | 1 | 1/P | | | | | | | |
| 24 | 6LE58611000 | SPG-T-EXIT-R-280 | 1 | 1/P | | | | | | | |
| 25 | 6LE58615000 | SPG-T-EXIT-F-280 | 1 | 1/P | | | | | | | |
| 26 | 6LE58535000 | EARTH-FUS-HEAT | 1 | 1/P | | | | | | | |
| 27 | 6LE58490000 | ASYS-GEAR-HR-EXIT | 1 | 1/P | | | | | | | |
| 28 | 6LA84140000 | GEAR-10H21-10S20-6-FUS | 1 | 1/P | | | | | | | |
| 29 | 6LA84142000 | ROL-IDLE-FUS-371 | 1 | 1/P | | | | | | | |
| 30 | 41306059000 | BUSH-HR/RLR | 2 | 1/P | | | | | | | |
| 31 | 4407972860 | STOP-RING-6-5 | 1 | 5/P | | | | | | | |
| 32 | 6LA39653000 | SCREW-BRKT-CCD-350 | 1 | | | | | | | | |
| 33 | 6LE58505000 | ROLL-GUIDE-EXIT-280 | 5 | | | | | | | | |
| 34 | 6LE58886000 | SPG-T-GUIDE-OPEN-2 | 1 | 1/P | | | | | | | |
| 35 | 6LE58770000 | SPG-E-FUS-GEAR | 1 | 1/P | | | | | | | |
| 36 | 6LE58564000 | PLT-NUT-FUS-280 | 2 | 5/P | | | | | | | |
| 37 | 6LA36276000 | SCREW-M3-FUS-C | 1 | 5/P | | | | | | | |
| 38 | 6LE58567000 | MYLAR-HR-280 | 2 | | | | | | | | |
| 101 | X0-00434000 | S/BID-M3X8-NI | 3 | 10/P | | | | | | | |
| 102 | X0-00164000 | S/PAN/SWWP-M4X8-NI | 1 | 10/P | | | | | | | |
| 103 | X0-00060000 | S/PAN/SWWP-M3X6-NI | 5 | 10/P | | | | | | | |
| 104 | X0-02238000 | S/TPS/FHEXM-3X6-ZU3 | 1 | 10/P | | | | | | | |
| 105 | 6LA80090000 | S/TPP/BID-3*8-NI | 1 | 5/P | | | | | | | |
| 106 | X0-02232000 | S/FHEXM-M3X10-NI | 2 | 10/P | | | | | | | |
| 107 | X0-00077000 | S/PAN/SWWP-M3X8-NI | 1 | 10/P | | | | | | | |
| | | | | | | | | | | | |
| | | | | | | | | | | | |
| | | | | | | | | | | | |
| | | | | | | | | | | | |





| ITEM No. | PART No. | PART NAME | Q'TY / PAGE | Q'TY / PACK | P | I | R | BSI No. | TO | FROM | REMARKS | |
|----------|----------|-------------|-------------|-------------|---|---|---|---------|----|------|----------|----------------------------|
| | | | | | | | | | | | Location | |
| 0 | A | 6LE62759000 | 1 | 1/SB | | | | | | | | e-STUDIO163 e-STUDIO203 |
| 0 | B | 6LE62759100 | 1 | 1/SB | | | | | | | | |
| 11 | | C0-11061001 | 1 | 5/P | | | | | | | IC1 | |
| 12 | | C0-09097000 | 1 | | | | | | | | IC2 | |
| 14 | | C0-09924001 | 1 | 1/S | | | | | | | IC4 | |
| 15 | | C0-08587001 | 1 | 5/S | | | | | | | IC5 | |
| 16 | | C0-09168001 | 1 | 5/S | | | | | | | IC6 | |
| 18 | | C0-13019001 | 1 | | | | | | | | IC8 | |
| 19 | | C0-11001001 | 1 | 1/S | | | | | | | IC9 | |
| 20 | | C0-11001001 | 1 | 1/S | | | | | | | IC10 | |
| 21 | | C0-13042001 | 1 | | | | | | | | IC11 | |
| 22 | | C0-08141001 | 1 | 5/S | | | | | | | IC12 | |
| 23 | | C0-09927001 | 1 | | | | | | | | IC13 | |
| 24 | | C0-08141001 | 1 | 5/S | | | | | | | IC14 | |
| 25 | | C0-08142001 | 1 | 5/S | | | | | | | IC15 | |
| 26 | | C0-11061001 | 1 | 5/P | | | | | | | IC16 | |
| 28 | | C0-13108001 | 1 | | | | | | | | IC18 | |
| 29 | | C0-09525001 | 1 | 5/S | | | | | | | IC19 | |
| 32 | | C0-09933001 | 1 | 1/S | | | | | | | IC22 | |
| 33 | | C0-12693000 | 1 | | | | | | | | IC23 | |
| 34 | | C0-09525001 | 1 | 5/S | | | | | | | IC24 | |
| 35 | | C0-08141001 | 1 | 5/S | | | | | | | IC25 | |
| 36 | | C0-09462001 | 1 | 5/S | | | | | | | IC26 | |
| 39 | | C0-12842000 | 1 | | | | | | | | IC29 | |
| 40 | | C0-12242001 | 1 | | | | | | | | IC30 | |
| 41 | | C0-12682001 | 1 | | | | | | | | IC31 | |
| 42 | | C0-09927001 | 1 | | | | | | | | IC32 | |
| 43 | | C0-09927001 | 1 | | | | | | | | IC33 | |
| 44 | | C0-09522001 | 1 | 5/S | | | | | | | IC34 | |
| 45 | | C0-11061001 | 1 | 5/P | | | | | | | IC35 | |
| 46 | | C0-09930001 | 1 | 5/S | | | | | | | IC36 | |
| 47 | | C0-08603001 | 1 | | | | | | | | IC37 | |
| 48 | | C0-11212001 | 1 | 5/S | | | | | | | IC38 | |
| 49 | | C0-11212001 | 1 | 5/S | | | | | | | IC39 | |
| 50 | | C0-09522001 | 1 | 5/S | | | | | | | IC40 | |
| 51 | | C0-11212001 | 1 | 5/S | | | | | | | IC41 | |
| 52 | | C0-09523001 | 1 | 5/S | | | | | | | IC42 | |
| 53 | | C0-01359001 | 1 | | | | | | | | IC43 | |
| 54 | | C0-12684000 | 1 | | | | | | | | IC44 | |
| 55 | | C0-09497001 | 1 | 1/S | | | | | | | IC45 | |
| 56 | | C0-10880001 | 1 | 5/S | | | | | | | IC46 | |
| 57 | | C0-09927001 | 1 | | | | | | | | IC47 | |
| 58 | | C0-11001001 | 1 | 1/S | | | | | | | IC48 | |
| 59 | | C0-08142001 | 1 | 5/S | | | | | | | IC49 | |
| 60 | | C0-09470001 | 1 | 1/S | | | | | | | IC50 | |
| 61 | | C0-11833001 | 1 | | | | | | | | IC51 | |
| 62 | | C0-10686001 | 1 | 5/S | | | | | | | IC52 | |
| 63 | | C0-13058000 | 1 | | | | | | | | IC53 | |
| 64 | | C0-09103000 | 1 | 1/S | | | | | | | IC54 | |
| 65 | | C0-11001001 | 1 | 1/S | | | | | | | IC55 | |
| 66 | | C0-08652001 | 1 | | | | | | | | IC56 | |
| 67 | | C0-12643001 | 1 | | | | | | | | IC57 | |
| 68 | | D0-25517000 | 1 | | | | | | | | IC58 | |
| 70 | | C0-01359001 | 1 | | | | | | | | IC60 | |
| 71 | | C0-09924001 | 1 | 1/S | | | | | | | IC61 | |
| 72 | | C0-01359001 | 1 | | | | | | | | IC62 | |
| 73 | | C0-13043001 | 1 | | | | | | | | IC63 | |
| 74 | | C0-13042001 | 1 | | | | | | | | IC64 | |
| 75 | | C0-13042001 | 1 | | | | | | | | IC65 | |
| 103 | | C0-08138002 | 1 | 5/P | | | | | | | Q3 | |
| 104 | | C0-08138002 | 1 | 5/P | | | | | | | Q4 | |
| 105 | | C0-08138002 | 1 | 5/P | | | | | | | Q5 | |
| 106 | | C0-13044001 | 1 | | | | | | | | Q6 | |
| 107 | | C0-13044001 | 1 | | | | | | | | Q7 | |
| 108 | | C0-08133002 | 1 | 5/P | | | | | | | Q8 | |

| ITEM No. | PART No. | PART NAME | Q'TY / PAGE | Q'TY / PACK | P | I | R | BSI No. | TO | FROM | REMARKS | |
|----------|-------------|--------------------|-------------|-------------|---|---|---|---------|----|------|----------|--|
| | | | | | | | | | | | Location | |
| 110 | C0-08138002 | RN1401(TE85L F) | 1 | 5/P | | | | | | | Q10 | |
| 111 | C0-08138002 | RN1401(TE85L F) | 1 | 5/P | | | | | | | Q11 | |
| 112 | C0-08139002 | RN2401(TE85L F) | 1 | 5/P | | | | | | | Q12 | |
| 113 | C0-08139002 | RN2401(TE85L F) | 1 | 5/P | | | | | | | Q13 | |
| 114 | C0-08138002 | RN1401(TE85L F) | 1 | 5/P | | | | | | | Q14 | |
| 115 | C0-08138002 | RN1401(TE85L F) | 1 | 5/P | | | | | | | Q15 | |
| 116 | C0-08135002 | 2SA1213-Y(TE12L F) | 1 | 5/P | | | | | | | Q16 | |
| 117 | C0-09228001 | HN1C01F-Y(TE85L F) | 1 | | | | | | | | Q17 | |
| 122 | C0-12626001 | 2SC4485T-AN | 1 | 1/P | | | | | | | Q22 | |
| 401 | C0-08138002 | RN1401(TE85L F) | 1 | 5/P | | | | | | | Q301 | |
| 402 | C0-13068001 | HN1B01F-Y(TE85L F) | 1 | | | | | | | | Q302 | |
| 403 | C0-13068001 | HN1B01F-Y(TE85L F) | 1 | | | | | | | | Q303 | |
| 404 | C0-13068001 | HN1B01F-Y(TE85L F) | 1 | | | | | | | | Q304 | |
| 405 | C0-13068001 | HN1B01F-Y(TE85L F) | 1 | | | | | | | | Q305 | |
| 406 | C0-08139002 | RN2401(TE85L F) | 1 | 5/P | | | | | | | Q306 | |
| 407 | C0-08138002 | RN1401(TE85L F) | 1 | 5/P | | | | | | | Q307 | |
| 408 | C0-08133002 | 2SC2712-Y(TE85L F) | 1 | 5/P | | | | | | | Q308 | |
| 453 | C0-08661001 | 1SS392(TE85L F) | 1 | 5/P | | | | | | | D3 | |
| 455 | C0-08126002 | 1SS184(TE85L F) | 1 | 5/P | | | | | | | D5 | |
| 456 | C0-08127002 | 1SS193(TE85L F) | 1 | 5/P | | | | | | | D6 | |
| 457 | C0-08127002 | 1SS193(TE85L F) | 1 | 5/P | | | | | | | D7 | |
| 751 | C0-08127002 | 1SS193(TE85L F) | 1 | 5/P | | | | | | | D301 | |
| 752 | C0-08127002 | 1SS193(TE85L F) | 1 | 5/P | | | | | | | D302 | |
| 753 | C0-08127002 | 1SS193(TE85L F) | 1 | 5/P | | | | | | | D303 | |
| 801 | C0-08129002 | 02CZ18-Y(TE85L F) | 1 | | | | | | | | ZD1 | |
| 802 | C0-08164002 | 02CZ5.1-Y(TE85L F) | 1 | 5/P | | | | | | | ZD2 | |
| | | | | | | | | | | | | |
| | | | | | | | | | | | | |
| | | | | | | | | | | | | |
| | | | | | | | | | | | | |
| | | | | | | | | | | | | |
| | | | | | | | | | | | | |
| | | | | | | | | | | | | |
| | | | | | | | | | | | | |
| | | | | | | | | | | | | |
| | | | | | | | | | | | | |
| | | | | | | | | | | | | |
| | | | | | | | | | | | | |
| | | | | | | | | | | | | |

| ITEM No. | PART No. | PART NAME | Q'TY / PAGE | Q'TY / PACK | P | I | R | BSI No. | TO | FROM | REMARKS | |
|----------|-------------|--------------------|-------------|-------------|---|---|---|---------|----|------|----------|--|
| | | | | | | | | | | | Location | |
| 1 | D0-16003001 | MVK50VC100MJ10E0 | 1 | 5/P | | | | | | | C1 | |
| 8 | D0-04098001 | GRM188F11E104ZA01D | 1 | 10/P | | | | | | | C8 | |
| 10 | D0-15994001 | MVK16VC10MD55E0 | 1 | 5/P | | | | | | | C10 | |
| 11 | D0-04098001 | GRM188F11E104ZA01D | 1 | 10/P | | | | | | | C11 | |
| 12 | D0-04042001 | C1608JF1H104ZT | 1 | 10/P | | | | | | | C12 | |
| 13 | D0-07500001 | GRM1882C1H5ROCZ01D | 1 | 5/ | | | | | | | C13 | |
| 14 | D0-04101001 | GRM188B11H102KA01D | 1 | 10/P | | | | | | | C14 | |
| 15 | D0-04086001 | GRM1882C1H221JA01D | 1 | 10/P | | | | | | | C15 | |
| 17 | D0-04098001 | GRM188F11E104ZA01D | 1 | 10/P | | | | | | | C17 | |
| 23 | D0-04098001 | GRM188F11E104ZA01D | 1 | 10/P | | | | | | | C23 | |
| 24 | D0-04098001 | GRM188F11E104ZA01D | 1 | 10/P | | | | | | | C24 | |
| 25 | D0-04098001 | GRM188F11E104ZA01D | 1 | 10/P | | | | | | | C25 | |
| 26 | D0-04098001 | GRM188F11E104ZA01D | 1 | 10/P | | | | | | | C26 | |
| 27 | D0-04042001 | C1608JF1H104ZT | 1 | 10/P | | | | | | | C27 | |
| 29 | D0-04098001 | GRM188F11E104ZA01D | 1 | 10/P | | | | | | | C29 | |
| 30 | D0-04098001 | GRM188F11E104ZA01D | 1 | 10/P | | | | | | | C30 | |
| 31 | D0-16277001 | MVK16VC22ME55E0 | 1 | 5/P | | | | | | | C31 | |
| 32 | D0-16002001 | MVK50VC47MH10E0 | 1 | 5/P | | | | | | | C32 | |
| 34 | D0-04098001 | GRM188F11E104ZA01D | 1 | 10/P | | | | | | | C34 | |
| 35 | D0-04086001 | GRM1882C1H221JA01D | 1 | 10/P | | | | | | | C35 | |
| 36 | D0-04042001 | C1608JF1H104ZT | 1 | 10/P | | | | | | | C36 | |
| 37 | D0-17927001 | GRM1882C1H100JA01D | 1 | | | | | | | | C37 | |
| 38 | D0-17927001 | GRM1882C1H100JA01D | 1 | | | | | | | | C38 | |
| 43 | D0-04098001 | GRM188F11E104ZA01D | 1 | 10/P | | | | | | | C43 | |
| 44 | D0-17927001 | GRM1882C1H100JA01D | 1 | | | | | | | | C44 | |
| 45 | D0-04098001 | GRM188F11E104ZA01D | 1 | 10/P | | | | | | | C45 | |
| 46 | D0-15994001 | MVK16VC10MD55E0 | 1 | 5/P | | | | | | | C46 | |
| 47 | D0-04098001 | GRM188F11E104ZA01D | 1 | 10/P | | | | | | | C47 | |
| 59 | D0-17927001 | GRM1882C1H100JA01D | 1 | | | | | | | | C59 | |
| 60 | D0-04098001 | GRM188F11E104ZA01D | 1 | 10/P | | | | | | | C60 | |
| 61 | D0-04098001 | GRM188F11E104ZA01D | 1 | 10/P | | | | | | | C61 | |
| 63 | D0-04098001 | GRM188F11E104ZA01D | 1 | 10/P | | | | | | | C63 | |
| 64 | D0-04098001 | GRM188F11E104ZA01D | 1 | 10/P | | | | | | | C64 | |
| 65 | D0-04098001 | GRM188F11E104ZA01D | 1 | 10/P | | | | | | | C65 | |
| 66 | D0-15995001 | MVK16VC47MF55E0 | 1 | 5/P | | | | | | | C66 | |
| 67 | D0-04098001 | GRM188F11E104ZA01D | 1 | 10/P | | | | | | | C67 | |
| 68 | D0-18773001 | GRM188F11C105ZA01D | 1 | 1/S | | | | | | | C68 | |
| 69 | D0-04098001 | GRM188F11E104ZA01D | 1 | 10/P | | | | | | | C69 | |
| 70 | D0-04098001 | GRM188F11E104ZA01D | 1 | 10/P | | | | | | | C70 | |
| 72 | D0-04098001 | GRM188F11E104ZA01D | 1 | 10/P | | | | | | | C72 | |
| 73 | D0-04098001 | GRM188F11E104ZA01D | 1 | 10/P | | | | | | | C73 | |
| 75 | D0-04098001 | GRM188F11E104ZA01D | 1 | 10/P | | | | | | | C75 | |
| 76 | D0-04098001 | GRM188F11E104ZA01D | 1 | 10/P | | | | | | | C76 | |
| 77 | D0-07530001 | GRM188F11H473ZA01D | 1 | 10/P | | | | | | | C77 | |
| 78 | D0-16002001 | MVK50VC47MH10E0 | 1 | 5/P | | | | | | | C78 | |
| 79 | D0-15994001 | MVK16VC10MD55E0 | 1 | 5/P | | | | | | | C79 | |
| 80 | D0-04098001 | GRM188F11E104ZA01D | 1 | 10/P | | | | | | | C80 | |
| 81 | D0-04098001 | GRM188F11E104ZA01D | 1 | 10/P | | | | | | | C81 | |
| 82 | D0-04098001 | GRM188F11E104ZA01D | 1 | 10/P | | | | | | | C82 | |
| 84 | D0-04098001 | GRM188F11E104ZA01D | 1 | 10/P | | | | | | | C84 | |
| 85 | D0-04098001 | GRM188F11E104ZA01D | 1 | 10/P | | | | | | | C85 | |
| 86 | D0-04090001 | GRM1882C1H471JA01D | 1 | 10/P | | | | | | | C86 | |
| 87 | D0-04098001 | GRM188F11E104ZA01D | 1 | 10/P | | | | | | | C87 | |
| 88 | D0-04098001 | GRM188F11E104ZA01D | 1 | 10/P | | | | | | | C88 | |
| 89 | D0-16553001 | MVK16VC470MJ10E0 | 1 | 5/P | | | | | | | C89 | |
| 90 | D0-16555001 | MVK10VC100MH63E0 | 1 | | | | | | | | C90 | |
| 91 | D0-16555001 | MVK10VC100MH63E0 | 1 | | | | | | | | C91 | |
| 92 | D0-16555001 | MVK10VC100MH63E0 | 1 | | | | | | | | C92 | |
| 93 | D0-04098001 | GRM188F11E104ZA01D | 1 | 10/P | | | | | | | C93 | |
| 94 | D0-16555001 | MVK10VC100MH63E0 | 1 | | | | | | | | C94 | |
| 95 | D0-04098001 | GRM188F11E104ZA01D | 1 | 10/P | | | | | | | C95 | |
| 96 | D0-04098001 | GRM188F11E104ZA01D | 1 | 10/P | | | | | | | C96 | |
| 97 | D0-04098001 | GRM188F11E104ZA01D | 1 | 10/P | | | | | | | C97 | |
| 98 | D0-04098001 | GRM188F11E104ZA01D | 1 | 10/P | | | | | | | C98 | |
| 99 | D0-04098001 | GRM188F11E104ZA01D | 1 | 10/P | | | | | | | C99 | |

| ITEM No. | PART No. | PART NAME | Q'TY / PAGE | Q'TY / PACK | P | I | R | BSI No. | TO | FROM | REMARKS | |
|----------|-------------|--------------------|-------------|-------------|---|---|---|---------|----|------|----------|--|
| | | | | | | | | | | | Location | |
| 100 | D0-04098001 | GRM188F11E104ZA01D | 1 | 10/P | | | | | | | C100 | |
| 101 | D0-04098001 | GRM188F11E104ZA01D | 1 | 10/P | | | | | | | C101 | |
| 102 | D0-04098001 | GRM188F11E104ZA01D | 1 | 10/P | | | | | | | C102 | |
| 103 | D0-04090001 | GRM1882C1H471JA01D | 1 | 10/P | | | | | | | C103 | |
| 105 | D0-04098001 | GRM188F11E104ZA01D | 1 | 10/P | | | | | | | C105 | |
| 106 | D0-04098001 | GRM188F11E104ZA01D | 1 | 10/P | | | | | | | C106 | |
| 107 | D0-04098001 | GRM188F11E104ZA01D | 1 | 10/P | | | | | | | C107 | |
| 109 | D0-04098001 | GRM188F11E104ZA01D | 1 | 10/P | | | | | | | C109 | |
| 110 | D0-04098001 | GRM188F11E104ZA01D | 1 | 10/P | | | | | | | C110 | |
| 112 | D0-04098001 | GRM188F11E104ZA01D | 1 | 10/P | | | | | | | C112 | |
| 114 | D0-04098001 | GRM188F11E104ZA01D | 1 | 10/P | | | | | | | C114 | |
| 116 | D0-15994001 | MVK16VC10MD55E0 | 1 | 5/P | | | | | | | C116 | |
| 118 | D0-04098001 | GRM188F11E104ZA01D | 1 | 10/P | | | | | | | C118 | |
| 119 | D0-04102001 | GRM1882C1H101JA01D | 1 | 10/P | | | | | | | C119 | |
| 120 | D0-04102001 | GRM1882C1H101JA01D | 1 | 10/P | | | | | | | C120 | |
| 121 | D0-04102001 | GRM1882C1H101JA01D | 1 | 10/P | | | | | | | C121 | |
| 122 | D0-04102001 | GRM1882C1H101JA01D | 1 | 10/P | | | | | | | C122 | |
| 123 | D0-04098001 | GRM188F11E104ZA01D | 1 | 10/P | | | | | | | C123 | |
| 124 | D0-04101001 | GRM188B11H102KA01D | 1 | 10/P | | | | | | | C124 | |
| 125 | D0-04101001 | GRM188B11H102KA01D | 1 | 10/P | | | | | | | C125 | |
| 126 | D0-04101001 | GRM188B11H102KA01D | 1 | 10/P | | | | | | | C126 | |
| 127 | D0-16002001 | MVK50VC47MH10E0 | 1 | 5/P | | | | | | | C127 | |
| 128 | D0-16002001 | MVK50VC47MH10E0 | 1 | 5/P | | | | | | | C128 | |
| 129 | D0-04098001 | GRM188F11E104ZA01D | 1 | 10/P | | | | | | | C129 | |
| 130 | D0-04098001 | GRM188F11E104ZA01D | 1 | 10/P | | | | | | | C130 | |
| 131 | D0-15999001 | MVK35VC4R7MD55E0 | 1 | 5/P | | | | | | | C131 | |
| 132 | D0-04098001 | GRM188F11E104ZA01D | 1 | 10/P | | | | | | | C132 | |
| 133 | D0-15994001 | MVK16VC10MD55E0 | 1 | 5/P | | | | | | | C133 | |
| 134 | D0-25347001 | EKZE100ETC471MHB5D | 1 | | | | | | | | C134 | |
| 135 | D0-04098001 | GRM188F11E104ZA01D | 1 | 10/P | | | | | | | C135 | |
| 136 | D0-25508001 | 10SVP560M | 1 | | | | | | | | C136 | |
| 137 | D0-04098001 | GRM188F11E104ZA01D | 1 | 10/P | | | | | | | C137 | |
| 138 | D0-25347001 | EKZE100ETC471MHB5D | 1 | | | | | | | | C138 | |
| 139 | D0-04098001 | GRM188F11E104ZA01D | 1 | 10/P | | | | | | | C139 | |
| 140 | D0-15995001 | MVK16VC47MF55E0 | 1 | 5/P | | | | | | | C140 | |
| 141 | D0-04098001 | GRM188F11E104ZA01D | 1 | 10/P | | | | | | | C141 | |
| 142 | D0-04098001 | GRM188F11E104ZA01D | 1 | 10/P | | | | | | | C142 | |
| 145 | D0-04098001 | GRM188F11E104ZA01D | 1 | 10/P | | | | | | | C145 | |
| 146 | D0-04098001 | GRM188F11E104ZA01D | 1 | 10/P | | | | | | | C146 | |
| 147 | D0-04098001 | GRM188F11E104ZA01D | 1 | 10/P | | | | | | | C147 | |
| 148 | D0-04098001 | GRM188F11E104ZA01D | 1 | 10/P | | | | | | | C148 | |
| 149 | D0-04098001 | GRM188F11E104ZA01D | 1 | 10/P | | | | | | | C149 | |
| 150 | D0-04098001 | GRM188F11E104ZA01D | 1 | 10/P | | | | | | | C150 | |
| 152 | D0-04102001 | GRM1882C1H101JA01D | 1 | 10/P | | | | | | | C152 | |
| 153 | D0-04102001 | GRM1882C1H101JA01D | 1 | 10/P | | | | | | | C153 | |
| 154 | D0-04102001 | GRM1882C1H101JA01D | 1 | 10/P | | | | | | | C154 | |
| 158 | D0-04086001 | GRM1882C1H221JA01D | 1 | 10/P | | | | | | | C158 | |
| 159 | D0-04086001 | GRM1882C1H221JA01D | 1 | 10/P | | | | | | | C159 | |
| 176 | D0-04098001 | GRM188F11E104ZA01D | 1 | 10/P | | | | | | | C176 | |
| 177 | D0-04098001 | GRM188F11E104ZA01D | 1 | 10/P | | | | | | | C177 | |
| 180 | D0-04098001 | GRM188F11E104ZA01D | 1 | 10/P | | | | | | | C180 | |
| 181 | D0-04098001 | GRM188F11E104ZA01D | 1 | 10/P | | | | | | | C181 | |
| 182 | D0-04098001 | GRM188F11E104ZA01D | 1 | 10/P | | | | | | | C182 | |
| 183 | D0-04098001 | GRM188F11E104ZA01D | 1 | 10/P | | | | | | | C183 | |
| 184 | D0-04098001 | GRM188F11E104ZA01D | 1 | 10/P | | | | | | | C184 | |
| 185 | D0-04098001 | GRM188F11E104ZA01D | 1 | 10/P | | | | | | | C185 | |
| 186 | D0-15994001 | MVK16VC10MD55E0 | 1 | 5/P | | | | | | | C186 | |
| 187 | D0-04098001 | GRM188F11E104ZA01D | 1 | 10/P | | | | | | | C187 | |
| 188 | D0-15994001 | MVK16VC10MD55E0 | 1 | 5/P | | | | | | | C188 | |
| 189 | D0-04042001 | C1608JF1H104ZT | 1 | 10/P | | | | | | | C189 | |
| 190 | D0-04098001 | GRM188F11E104ZA01D | 1 | 10/P | | | | | | | C190 | |
| 193 | D0-23506001 | GRM1882C1H330JA01D | 1 | | | | | | | | C193 | |
| 194 | D0-23506001 | GRM1882C1H330JA01D | 1 | | | | | | | | C194 | |
| 195 | D0-23506001 | GRM1882C1H330JA01D | 1 | | | | | | | | C195 | |
| 196 | D0-23506001 | GRM1882C1H330JA01D | 1 | | | | | | | | C196 | |

| ITEM No. | PART No. | PART NAME | Q'TY / PAGE | Q'TY / PACK | P | I | R | BSI No. | TO | FROM | REMARKS | |
|----------|-------------|--------------------|-------------|-------------|---|---|---|---------|----|------|----------|--|
| | | | | | | | | | | | Location | |
| 197 | D0-23506001 | GRM1882C1H330JA01D | 1 | | | | | | | | C197 | |
| 198 | D0-23506001 | GRM1882C1H330JA01D | 1 | | | | | | | | C198 | |
| 199 | D0-23506001 | GRM1882C1H330JA01D | 1 | | | | | | | | C199 | |
| 200 | D0-23506001 | GRM1882C1H330JA01D | 1 | | | | | | | | C200 | |
| 203 | D0-04098001 | GRM188F11E104ZA01D | 1 | 10/P | | | | | | | C203 | |
| 301 | D0-04042001 | C1608JF1H104ZT | 1 | 10/P | | | | | | | C301 | |
| 302 | D0-04042001 | C1608JF1H104ZT | 1 | 10/P | | | | | | | C302 | |
| 303 | D0-04042001 | C1608JF1H104ZT | 1 | 10/P | | | | | | | C303 | |
| 306 | D0-07530001 | GRM188F11H473ZA01D | 1 | 10/P | | | | | | | C306 | |
| 307 | D0-04098001 | GRM188F11E104ZA01D | 1 | 10/P | | | | | | | C307 | |
| 308 | D0-04098001 | GRM188F11E104ZA01D | 1 | 10/P | | | | | | | C308 | |
| 309 | D0-04090001 | GRM1882C1H471JA01D | 1 | 10/P | | | | | | | C309 | |
| 310 | D0-04098001 | GRM188F11E104ZA01D | 1 | 10/P | | | | | | | C310 | |
| 311 | D0-04098001 | GRM188F11E104ZA01D | 1 | 10/P | | | | | | | C311 | |
| 312 | D0-17927001 | GRM1882C1H100JA01D | 1 | | | | | | | | C312 | |
| 313 | D0-04098001 | GRM188F11E104ZA01D | 1 | 10/P | | | | | | | C313 | |
| 314 | D0-04100001 | GRM188B11H103KA01D | 1 | 10/P | | | | | | | C314 | |
| 315 | D0-04098001 | GRM188F11E104ZA01D | 1 | 10/P | | | | | | | C315 | |
| 316 | D0-04098001 | GRM188F11E104ZA01D | 1 | 10/P | | | | | | | C316 | |
| 317 | D0-04098001 | GRM188F11E104ZA01D | 1 | 10/P | | | | | | | C317 | |
| 329 | D0-04098001 | GRM188F11E104ZA01D | 1 | 10/P | | | | | | | C329 | |
| 330 | D0-04098001 | GRM188F11E104ZA01D | 1 | 10/P | | | | | | | C330 | |
| 331 | D0-04098001 | GRM188F11E104ZA01D | 1 | 10/P | | | | | | | C331 | |
| 332 | D0-04098001 | GRM188F11E104ZA01D | 1 | 10/P | | | | | | | C332 | |
| 333 | D0-04042001 | C1608JF1H104ZT | 1 | 10/P | | | | | | | C333 | |
| 334 | D0-04098001 | GRM188F11E104ZA01D | 1 | 10/P | | | | | | | C334 | |
| 335 | D0-04090001 | GRM1882C1H471JA01D | 1 | 10/P | | | | | | | C335 | |
| 336 | D0-04090001 | GRM1882C1H471JA01D | 1 | 10/P | | | | | | | C336 | |
| 337 | D0-04098001 | GRM188F11E104ZA01D | 1 | 10/P | | | | | | | C337 | |
| 338 | D0-04098001 | GRM188F11E104ZA01D | 1 | 10/P | | | | | | | C338 | |
| 339 | D0-04098001 | GRM188F11E104ZA01D | 1 | 10/P | | | | | | | C339 | |
| 340 | D0-04098001 | GRM188F11E104ZA01D | 1 | 10/P | | | | | | | C340 | |
| 341 | D0-04100001 | GRM188B11H103KA01D | 1 | 10/P | | | | | | | C341 | |
| 342 | D0-04098001 | GRM188F11E104ZA01D | 1 | 10/P | | | | | | | C342 | |
| 343 | D0-04098001 | GRM188F11E104ZA01D | 1 | 10/P | | | | | | | C343 | |
| 344 | D0-04098001 | GRM188F11E104ZA01D | 1 | 10/P | | | | | | | C344 | |
| 345 | D0-04098001 | GRM188F11E104ZA01D | 1 | 10/P | | | | | | | C345 | |
| 346 | D0-04098001 | GRM188F11E104ZA01D | 1 | 10/P | | | | | | | C346 | |
| 347 | D0-04090001 | GRM1882C1H471JA01D | 1 | 10/P | | | | | | | C347 | |
| 348 | D0-04098001 | GRM188F11E104ZA01D | 1 | 10/P | | | | | | | C348 | |
| 349 | D0-04098001 | GRM188F11E104ZA01D | 1 | 10/P | | | | | | | C349 | |
| 350 | D0-04098001 | GRM188F11E104ZA01D | 1 | 10/P | | | | | | | C350 | |
| 351 | D0-04098001 | GRM188F11E104ZA01D | 1 | 10/P | | | | | | | C351 | |
| 352 | D0-04098001 | GRM188F11E104ZA01D | 1 | 10/P | | | | | | | C352 | |
| 353 | D0-04098001 | GRM188F11E104ZA01D | 1 | 10/P | | | | | | | C353 | |
| 354 | D0-04098001 | GRM188F11E104ZA01D | 1 | 10/P | | | | | | | C354 | |
| 355 | D0-04098001 | GRM188F11E104ZA01D | 1 | 10/P | | | | | | | C355 | |
| 356 | D0-04098001 | GRM188F11E104ZA01D | 1 | 10/P | | | | | | | C356 | |
| 357 | D0-04098001 | GRM188F11E104ZA01D | 1 | 10/P | | | | | | | C357 | |
| 358 | D0-04098001 | GRM188F11E104ZA01D | 1 | 10/P | | | | | | | C358 | |
| 359 | D0-04098001 | GRM188F11E104ZA01D | 1 | 10/P | | | | | | | C359 | |
| 360 | D0-04098001 | GRM188F11E104ZA01D | 1 | 10/P | | | | | | | C360 | |
| 361 | D0-04098001 | GRM188F11E104ZA01D | 1 | 10/P | | | | | | | C361 | |
| 362 | D0-04098001 | GRM188F11E104ZA01D | 1 | 10/P | | | | | | | C362 | |
| 363 | D0-17927001 | GRM1882C1H100JA01D | 1 | | | | | | | | C363 | |
| 364 | D0-04098001 | GRM188F11E104ZA01D | 1 | 10/P | | | | | | | C364 | |
| 365 | D0-04098001 | GRM188F11E104ZA01D | 1 | 10/P | | | | | | | C365 | |
| 366 | D0-04098001 | GRM188F11E104ZA01D | 1 | 10/P | | | | | | | C366 | |
| 367 | D0-04098001 | GRM188F11E104ZA01D | 1 | 10/P | | | | | | | C367 | |
| 368 | D0-04098001 | GRM188F11E104ZA01D | 1 | 10/P | | | | | | | C368 | |
| 369 | D0-04098001 | GRM188F11E104ZA01D | 1 | 10/P | | | | | | | C369 | |
| 370 | D0-04098001 | GRM188F11E104ZA01D | 1 | 10/P | | | | | | | C370 | |
| 371 | D0-04098001 | GRM188F11E104ZA01D | 1 | 10/P | | | | | | | C371 | |
| 372 | D0-04098001 | GRM188F11E104ZA01D | 1 | 10/P | | | | | | | C372 | |
| 373 | D0-04098001 | GRM188F11E104ZA01D | 1 | 10/P | | | | | | | C373 | |

| ITEM No. | PART No. | PART NAME | Q'TY / PAGE | Q'TY / PACK | P | I | R | BSI No. | TO | FROM | REMARKS | |
|----------|-------------|--------------------|-------------|-------------|---|---|---|---------|----|------|----------|--|
| | | | | | | | | | | | Location | |
| 374 | D0-04098001 | GRM188F11E104ZA01D | 1 | 10/P | | | | | | | C374 | |
| 375 | D0-04098001 | GRM188F11E104ZA01D | 1 | 10/P | | | | | | | C375 | |
| 376 | D0-04098001 | GRM188F11E104ZA01D | 1 | 10/P | | | | | | | C376 | |
| 377 | D0-04098001 | GRM188F11E104ZA01D | 1 | 10/P | | | | | | | C377 | |
| 378 | D0-04098001 | GRM188F11E104ZA01D | 1 | 10/P | | | | | | | C378 | |
| 379 | D0-04090001 | GRM1882C1H471JA01D | 1 | 10/P | | | | | | | C379 | |
| 380 | D0-04098001 | GRM188F11E104ZA01D | 1 | 10/P | | | | | | | C380 | |
| 381 | D0-04098001 | GRM188F11E104ZA01D | 1 | 10/P | | | | | | | C381 | |
| 382 | D0-04098001 | GRM188F11E104ZA01D | 1 | 10/P | | | | | | | C382 | |
| 383 | D0-17927001 | GRM1882C1H100JA01D | 1 | | | | | | | | C383 | |
| 384 | D0-04098001 | GRM188F11E104ZA01D | 1 | 10/P | | | | | | | C384 | |
| 385 | D0-04098001 | GRM188F11E104ZA01D | 1 | 10/P | | | | | | | C385 | |
| 386 | D0-04098001 | GRM188F11E104ZA01D | 1 | 10/P | | | | | | | C386 | |
| 387 | D0-04098001 | GRM188F11E104ZA01D | 1 | 10/P | | | | | | | C387 | |
| 388 | D0-04098001 | GRM188F11E104ZA01D | 1 | 10/P | | | | | | | C388 | |
| 389 | D0-04098001 | GRM188F11E104ZA01D | 1 | 10/P | | | | | | | C389 | |
| 390 | D0-04098001 | GRM188F11E104ZA01D | 1 | 10/P | | | | | | | C390 | |
| 391 | D0-04098001 | GRM188F11E104ZA01D | 1 | 10/P | | | | | | | C391 | |
| 392 | D0-04100001 | GRM188B11H103KA01D | 1 | 10/P | | | | | | | C392 | |
| 393 | D0-04098001 | GRM188F11E104ZA01D | 1 | 10/P | | | | | | | C393 | |
| 394 | D0-04098001 | GRM188F11E104ZA01D | 1 | 10/P | | | | | | | C394 | |
| 395 | D0-04098001 | GRM188F11E104ZA01D | 1 | 10/P | | | | | | | C395 | |
| 396 | D0-04098001 | GRM188F11E104ZA01D | 1 | 10/P | | | | | | | C396 | |
| 397 | D0-04098001 | GRM188F11E104ZA01D | 1 | 10/P | | | | | | | C397 | |
| 398 | D0-04098001 | GRM188F11E104ZA01D | 1 | 10/P | | | | | | | C398 | |
| 399 | D0-04098001 | GRM188F11E104ZA01D | 1 | 10/P | | | | | | | C399 | |
| 400 | D0-04098001 | GRM188F11E104ZA01D | 1 | 10/P | | | | | | | C400 | |
| 401 | D0-04098001 | GRM188F11E104ZA01D | 1 | 10/P | | | | | | | C401 | |
| 402 | D0-04098001 | GRM188F11E104ZA01D | 1 | 10/P | | | | | | | C402 | |
| 403 | D0-04098001 | GRM188F11E104ZA01D | 1 | 10/P | | | | | | | C403 | |
| 404 | D0-04098001 | GRM188F11E104ZA01D | 1 | 10/P | | | | | | | C404 | |
| 405 | D0-04098001 | GRM188F11E104ZA01D | 1 | 10/P | | | | | | | C405 | |
| 406 | D0-04098001 | GRM188F11E104ZA01D | 1 | 10/P | | | | | | | C406 | |
| 407 | D0-04098001 | GRM188F11E104ZA01D | 1 | 10/P | | | | | | | C407 | |
| 408 | D0-04098001 | GRM188F11E104ZA01D | 1 | 10/P | | | | | | | C408 | |
| 409 | D0-04098001 | GRM188F11E104ZA01D | 1 | 10/P | | | | | | | C409 | |
| 410 | D0-04098001 | GRM188F11E104ZA01D | 1 | 10/P | | | | | | | C410 | |
| 411 | D0-04098001 | GRM188F11E104ZA01D | 1 | 10/P | | | | | | | C411 | |
| 412 | D0-04098001 | GRM188F11E104ZA01D | 1 | 10/P | | | | | | | C412 | |
| 413 | D0-04098001 | GRM188F11E104ZA01D | 1 | 10/P | | | | | | | C413 | |
| 414 | D0-04098001 | GRM188F11E104ZA01D | 1 | 10/P | | | | | | | C414 | |
| 415 | D0-04098001 | GRM188F11E104ZA01D | 1 | 10/P | | | | | | | C415 | |
| 416 | D0-04098001 | GRM188F11E104ZA01D | 1 | 10/P | | | | | | | C416 | |
| 417 | D0-04098001 | GRM188F11E104ZA01D | 1 | 10/P | | | | | | | C417 | |
| 418 | D0-04098001 | GRM188F11E104ZA01D | 1 | 10/P | | | | | | | C418 | |
| 419 | D0-17927001 | GRM1882C1H100JA01D | 1 | | | | | | | | C419 | |
| 420 | D0-17927001 | GRM1882C1H100JA01D | 1 | | | | | | | | C420 | |
| 421 | D0-04086001 | GRM1882C1H221JA01D | 1 | 10/P | | | | | | | C421 | |
| 422 | D0-04098001 | GRM188F11E104ZA01D | 1 | 10/P | | | | | | | C422 | |
| 423 | D0-04098001 | GRM188F11E104ZA01D | 1 | 10/P | | | | | | | C423 | |
| 424 | D0-04098001 | GRM188F11E104ZA01D | 1 | 10/P | | | | | | | C424 | |
| 425 | D0-04098001 | GRM188F11E104ZA01D | 1 | 10/P | | | | | | | C425 | |
| 426 | D0-04098001 | GRM188F11E104ZA01D | 1 | 10/P | | | | | | | C426 | |
| 427 | D0-04098001 | GRM188F11E104ZA01D | 1 | 10/P | | | | | | | C427 | |
| 428 | D0-04086001 | GRM1882C1H221JA01D | 1 | 10/P | | | | | | | C428 | |
| 429 | D0-17927001 | GRM1882C1H100JA01D | 1 | | | | | | | | C429 | |
| 430 | D0-04086001 | GRM1882C1H221JA01D | 1 | 10/P | | | | | | | C430 | |
| 431 | D0-04098001 | GRM188F11E104ZA01D | 1 | 10/P | | | | | | | C431 | |
| 434 | D0-04098001 | GRM188F11E104ZA01D | 1 | 10/P | | | | | | | C434 | |
| 435 | D0-18773001 | GRM188F11C105ZA01D | 1 | 1/S | | | | | | | C435 | |
| 436 | D0-18773001 | GRM188F11C105ZA01D | 1 | 1/S | | | | | | | C436 | |
| 437 | D0-18773001 | GRM188F11C105ZA01D | 1 | 1/S | | | | | | | C437 | |
| 438 | D0-18773001 | GRM188F11C105ZA01D | 1 | 1/S | | | | | | | C438 | |
| 439 | D0-04098001 | GRM188F11E104ZA01D | 1 | 10/P | | | | | | | C439 | |
| 440 | D0-04098001 | GRM188F11E104ZA01D | 1 | 10/P | | | | | | | C440 | |

| ITEM No. | PART No. | PART NAME | Q'TY / PAGE | Q'TY / PACK | P | I | R | BSI No. | TO | FROM | REMARKS | |
|----------|-------------|--------------------|-------------|-------------|---|---|---|---------|----|------|----------|--|
| | | | | | | | | | | | Location | |
| 441 | D0-04098001 | GRM188F11E104ZA01D | 1 | 10/P | | | | | | | C441 | |
| 442 | D0-04098001 | GRM188F11E104ZA01D | 1 | 10/P | | | | | | | C442 | |
| 443 | D0-04098001 | GRM188F11E104ZA01D | 1 | 10/P | | | | | | | C443 | |
| 444 | D0-04042001 | C1608JF1H104ZT | 1 | 10/P | | | | | | | C444 | |
| 445 | D0-04098001 | GRM188F11E104ZA01D | 1 | 10/P | | | | | | | C445 | |
| 446 | D0-18773001 | GRM188F11C105ZA01D | 1 | 1/S | | | | | | | C446 | |
| 447 | D0-18773001 | GRM188F11C105ZA01D | 1 | 1/S | | | | | | | C447 | |
| 448 | D0-04098001 | GRM188F11E104ZA01D | 1 | 10/P | | | | | | | C448 | |
| 449 | D0-04098001 | GRM188F11E104ZA01D | 1 | 10/P | | | | | | | C449 | |
| 450 | D0-18773001 | GRM188F11C105ZA01D | 1 | 1/S | | | | | | | C450 | |
| 451 | D0-18773001 | GRM188F11C105ZA01D | 1 | 1/S | | | | | | | C451 | |
| 452 | D0-04098001 | GRM188F11E104ZA01D | 1 | 10/P | | | | | | | C452 | |
| 453 | D0-18773001 | GRM188F11C105ZA01D | 1 | 1/S | | | | | | | C453 | |
| 454 | D0-04098001 | GRM188F11E104ZA01D | 1 | 10/P | | | | | | | C454 | |
| 455 | D0-04098001 | GRM188F11E104ZA01D | 1 | 10/P | | | | | | | C455 | |
| 456 | D0-18773001 | GRM188F11C105ZA01D | 1 | 1/S | | | | | | | C456 | |
| 457 | D0-04098001 | GRM188F11E104ZA01D | 1 | 10/P | | | | | | | C457 | |
| 458 | D0-04098001 | GRM188F11E104ZA01D | 1 | 10/P | | | | | | | C458 | |
| 459 | D0-04098001 | GRM188F11E104ZA01D | 1 | 10/P | | | | | | | C459 | |
| 460 | D0-04098001 | GRM188F11E104ZA01D | 1 | 10/P | | | | | | | C460 | |
| 461 | D0-04098001 | GRM188F11E104ZA01D | 1 | 10/P | | | | | | | C461 | |
| 462 | D0-04098001 | GRM188F11E104ZA01D | 1 | 10/P | | | | | | | C462 | |
| 463 | D0-04098001 | GRM188F11E104ZA01D | 1 | 10/P | | | | | | | C463 | |
| 464 | D0-04098001 | GRM188F11E104ZA01D | 1 | 10/P | | | | | | | C464 | |
| 465 | D0-04098001 | GRM188F11E104ZA01D | 1 | 10/P | | | | | | | C465 | |
| 466 | D0-04098001 | GRM188F11E104ZA01D | 1 | 10/P | | | | | | | C466 | |
| 467 | D0-04098001 | GRM188F11E104ZA01D | 1 | 10/P | | | | | | | C467 | |
| 468 | D0-04098001 | GRM188F11E104ZA01D | 1 | 10/P | | | | | | | C468 | |
| 469 | D0-04098001 | GRM188F11E104ZA01D | 1 | 10/P | | | | | | | C469 | |
| 470 | D0-07601001 | GRM188B11A224KA01D | 1 | 10/P | | | | | | | C470 | |
| 471 | D0-04098001 | GRM188F11E104ZA01D | 1 | 10/P | | | | | | | C471 | |
| 472 | D0-17927001 | GRM1882C1H100JA01D | 1 | | | | | | | | C472 | |
| 473 | D0-07601001 | GRM188B11A224KA01D | 1 | 10/P | | | | | | | C473 | |
| 474 | D0-04098001 | GRM188F11E104ZA01D | 1 | 10/P | | | | | | | C474 | |
| 475 | D0-04098001 | GRM188F11E104ZA01D | 1 | 10/P | | | | | | | C475 | |
| 476 | D0-17927001 | GRM1882C1H100JA01D | 1 | | | | | | | | C476 | |
| 477 | D0-17927001 | GRM1882C1H100JA01D | 1 | | | | | | | | C477 | |
| 478 | D0-04098001 | GRM188F11E104ZA01D | 1 | 10/P | | | | | | | C478 | |
| 479 | D0-04098001 | GRM188F11E104ZA01D | 1 | 10/P | | | | | | | C479 | |
| 480 | D0-17926001 | GRM1882C1H222JA01D | 1 | | | | | | | | C480 | |
| 481 | D0-04098001 | GRM188F11E104ZA01D | 1 | 10/P | | | | | | | C481 | |
| 482 | D0-07601001 | GRM188B11A224KA01D | 1 | 10/P | | | | | | | C482 | |
| 483 | D0-04098001 | GRM188F11E104ZA01D | 1 | 10/P | | | | | | | C483 | |
| 484 | D0-04102001 | GRM1882C1H101JA01D | 1 | 10/P | | | | | | | C484 | |
| 485 | D0-04102001 | GRM1882C1H101JA01D | 1 | 10/P | | | | | | | C485 | |
| 486 | D0-04098001 | GRM188F11E104ZA01D | 1 | 10/P | | | | | | | C486 | |
| 487 | D0-04098001 | GRM188F11E104ZA01D | 1 | 10/P | | | | | | | C487 | |
| 488 | D0-04086001 | GRM1882C1H221JA01D | 1 | 10/P | | | | | | | C488 | |
| 489 | D0-04086001 | GRM1882C1H221JA01D | 1 | 10/P | | | | | | | C489 | |
| 490 | D0-04098001 | GRM188F11E104ZA01D | 1 | 10/P | | | | | | | C490 | |
| 493 | D0-04090001 | GRM1882C1H471JA01D | 1 | 10/P | | | | | | | C493 | |
| 494 | D0-04086001 | GRM1882C1H221JA01D | 1 | 10/P | | | | | | | C494 | |
| 495 | D0-04086001 | GRM1882C1H221JA01D | 1 | 10/P | | | | | | | C495 | |
| 496 | D0-04098001 | GRM188F11E104ZA01D | 1 | 10/P | | | | | | | C496 | |
| 497 | D0-04098001 | GRM188F11E104ZA01D | 1 | 10/P | | | | | | | C497 | |
| 498 | D0-04098001 | GRM188F11E104ZA01D | 1 | 10/P | | | | | | | C498 | |
| 499 | D0-04098001 | GRM188F11E104ZA01D | 1 | 10/P | | | | | | | C499 | |
| 500 | D0-04098001 | GRM188F11E104ZA01D | 1 | 10/P | | | | | | | C500 | |
| 501 | D0-04086001 | GRM1882C1H221JA01D | 1 | 10/P | | | | | | | C501 | |
| 502 | D0-04098001 | GRM188F11E104ZA01D | 1 | 10/P | | | | | | | C502 | |
| 503 | D0-04086001 | GRM1882C1H221JA01D | 1 | 10/P | | | | | | | C503 | |
| 504 | D0-04098001 | GRM188F11E104ZA01D | 1 | 10/P | | | | | | | C504 | |
| 505 | D0-04086001 | GRM1882C1H221JA01D | 1 | 10/P | | | | | | | C505 | |
| 506 | D0-04098001 | GRM188F11E104ZA01D | 1 | 10/P | | | | | | | C506 | |
| 507 | D0-04098001 | GRM188F11E104ZA01D | 1 | 10/P | | | | | | | C507 | |

| ITEM No. | PART No. | PART NAME | Q'TY / PAGE | Q'TY / PACK | P | I | R | BSI No. | TO | FROM | REMARKS | |
|----------|-------------|--------------------|-------------|-------------|---|---|---|---------|----|------|----------|--|
| | | | | | | | | | | | Location | |
| 508 | D0-04098001 | GRM188F11E104ZA01D | 1 | 10/P | | | | | | | C508 | |
| 509 | D0-04086001 | GRM1882C1H221JA01D | 1 | 10/P | | | | | | | C509 | |
| 510 | D0-04098001 | GRM188F11E104ZA01D | 1 | 10/P | | | | | | | C510 | |
| 511 | D0-04098001 | GRM188F11E104ZA01D | 1 | 10/P | | | | | | | C511 | |
| 512 | D0-04098001 | GRM188F11E104ZA01D | 1 | 10/P | | | | | | | C512 | |
| 513 | D0-04098001 | GRM188F11E104ZA01D | 1 | 10/P | | | | | | | C513 | |
| 514 | D0-04098001 | GRM188F11E104ZA01D | 1 | 10/P | | | | | | | C514 | |
| 515 | D0-17927001 | GRM1882C1H100JA01D | 1 | | | | | | | | C515 | |
| 516 | D0-04098001 | GRM188F11E104ZA01D | 1 | 10/P | | | | | | | C516 | |
| 517 | D0-04042001 | C1608JF1H104ZT | 1 | 10/P | | | | | | | C517 | |
| 518 | D0-04098001 | GRM188F11E104ZA01D | 1 | 10/P | | | | | | | C518 | |
| 519 | D0-18773001 | GRM188F11C105ZA01D | 1 | 1/S | | | | | | | C519 | |
| 520 | D0-17927001 | GRM1882C1H100JA01D | 1 | | | | | | | | C520 | |
| 521 | D0-17927001 | GRM1882C1H100JA01D | 1 | | | | | | | | C521 | |
| 522 | D0-17927001 | GRM1882C1H100JA01D | 1 | | | | | | | | C522 | |
| 524 | D0-04042001 | C1608JF1H104ZT | 1 | 10/P | | | | | | | C524 | |
| 527 | D0-04042001 | C1608JF1H104ZT | 1 | 10/P | | | | | | | C527 | |
| 528 | D0-04098001 | GRM188F11E104ZA01D | 1 | 10/P | | | | | | | C528 | |
| 529 | D0-04098001 | GRM188F11E104ZA01D | 1 | 10/P | | | | | | | C529 | |
| 530 | D0-04098001 | GRM188F11E104ZA01D | 1 | 10/P | | | | | | | C530 | |
| 531 | D0-04098001 | GRM188F11E104ZA01D | 1 | 10/P | | | | | | | C531 | |
| 532 | D0-04098001 | GRM188F11E104ZA01D | 1 | 10/P | | | | | | | C532 | |
| 533 | D0-04042001 | C1608JF1H104ZT | 1 | 10/P | | | | | | | C533 | |
| 535 | D0-04098001 | GRM188F11E104ZA01D | 1 | 10/P | | | | | | | C535 | |
| 536 | D0-04098001 | GRM188F11E104ZA01D | 1 | 10/P | | | | | | | C536 | |
| 537 | D0-04042001 | C1608JF1H104ZT | 1 | 10/P | | | | | | | C537 | |
| 538 | D0-04098001 | GRM188F11E104ZA01D | 1 | 10/P | | | | | | | C538 | |
| 539 | D0-04042001 | C1608JF1H104ZT | 1 | 10/P | | | | | | | C539 | |
| 540 | D0-04042001 | C1608JF1H104ZT | 1 | 10/P | | | | | | | C540 | |
| 541 | D0-04042001 | C1608JF1H104ZT | 1 | 10/P | | | | | | | C541 | |
| 542 | D0-04098001 | GRM188F11E104ZA01D | 1 | 10/P | | | | | | | C542 | |
| 543 | D0-04098001 | GRM188F11E104ZA01D | 1 | 10/P | | | | | | | C543 | |
| 544 | D0-04098001 | GRM188F11E104ZA01D | 1 | 10/P | | | | | | | C544 | |
| 545 | D0-04042001 | C1608JF1H104ZT | 1 | 10/P | | | | | | | C545 | |
| 546 | D0-04042001 | C1608JF1H104ZT | 1 | 10/P | | | | | | | C546 | |
| 547 | D0-04098001 | GRM188F11E104ZA01D | 1 | 10/P | | | | | | | C547 | |
| 548 | D0-04098001 | GRM188F11E104ZA01D | 1 | 10/P | | | | | | | C548 | |
| 549 | D0-04098001 | GRM188F11E104ZA01D | 1 | 10/P | | | | | | | C549 | |
| 550 | D0-04098001 | GRM188F11E104ZA01D | 1 | 10/P | | | | | | | C550 | |
| 551 | D0-17927001 | GRM1882C1H100JA01D | 1 | | | | | | | | C551 | |
| 552 | D0-04101001 | GRM188B11H102KA01D | 1 | 10/P | | | | | | | C552 | |
| 553 | D0-04102001 | GRM1882C1H101JA01D | 1 | 10/P | | | | | | | C553 | |
| 900 | D0-04098001 | GRM188F11E104ZA01D | 1 | 10/P | | | | | | | C900 | |
| 901 | D0-04098001 | GRM188F11E104ZA01D | 1 | 10/P | | | | | | | C901 | |
| 902 | D0-04098001 | GRM188F11E104ZA01D | 1 | 10/P | | | | | | | C902 | |
| 903 | D0-04098001 | GRM188F11E104ZA01D | 1 | 10/P | | | | | | | C903 | |
| 904 | D0-04098001 | GRM188F11E104ZA01D | 1 | 10/P | | | | | | | C904 | |
| 905 | D0-04098001 | GRM188F11E104ZA01D | 1 | 10/P | | | | | | | C905 | |
| 906 | D0-04098001 | GRM188F11E104ZA01D | 1 | 10/P | | | | | | | C906 | |
| 907 | D0-04098001 | GRM188F11E104ZA01D | 1 | 10/P | | | | | | | C907 | |
| 908 | D0-04098001 | GRM188F11E104ZA01D | 1 | 10/P | | | | | | | C908 | |
| 909 | D0-04098001 | GRM188F11E104ZA01D | 1 | 10/P | | | | | | | C909 | |
| 910 | D0-04098001 | GRM188F11E104ZA01D | 1 | 10/P | | | | | | | C910 | |
| 911 | D0-04098001 | GRM188F11E104ZA01D | 1 | 10/P | | | | | | | C911 | |
| 912 | D0-04098001 | GRM188F11E104ZA01D | 1 | 10/P | | | | | | | C912 | |
| 913 | D0-04098001 | GRM188F11E104ZA01D | 1 | 10/P | | | | | | | C913 | |
| 914 | D0-04098001 | GRM188F11E104ZA01D | 1 | 10/P | | | | | | | C914 | |
| 915 | D0-04098001 | GRM188F11E104ZA01D | 1 | 10/P | | | | | | | C915 | |
| 916 | D0-04098001 | GRM188F11E104ZA01D | 1 | 10/P | | | | | | | C916 | |
| 917 | D0-04098001 | GRM188F11E104ZA01D | 1 | 10/P | | | | | | | C917 | |
| 918 | D0-04098001 | GRM188F11E104ZA01D | 1 | 10/P | | | | | | | C918 | |
| 919 | D0-04098001 | GRM188F11E104ZA01D | 1 | 10/P | | | | | | | C919 | |
| 920 | D0-04098001 | GRM188F11E104ZA01D | 1 | 10/P | | | | | | | C920 | |
| 921 | D0-04098001 | GRM188F11E104ZA01D | 1 | 10/P | | | | | | | C921 | |
| 922 | D0-04098001 | GRM188F11E104ZA01D | 1 | 10/P | | | | | | | C922 | |

| ITEM No. | PART No. | PART NAME | Q'TY / PAGE | Q'TY / PACK | P | I | R | BSI No. | TO | FROM | REMARKS | |
|----------|-------------|--------------------|-------------|-------------|---|---|---|---------|----|------|----------|--|
| | | | | | | | | | | | Location | |
| 923 | D0-04098001 | GRM188F11E104ZA01D | 1 | 10/P | | | | | | | C923 | |
| 924 | D0-04098001 | GRM188F11E104ZA01D | 1 | 10/P | | | | | | | C924 | |
| 925 | D0-04098001 | GRM188F11E104ZA01D | 1 | 10/P | | | | | | | C925 | |
| 926 | D0-04098001 | GRM188F11E104ZA01D | 1 | 10/P | | | | | | | C926 | |
| 927 | D0-04098001 | GRM188F11E104ZA01D | 1 | 10/P | | | | | | | C927 | |
| 928 | D0-04098001 | GRM188F11E104ZA01D | 1 | 10/P | | | | | | | C928 | |
| 929 | D0-04098001 | GRM188F11E104ZA01D | 1 | 10/P | | | | | | | C929 | |
| 930 | D0-04098001 | GRM188F11E104ZA01D | 1 | 10/P | | | | | | | C930 | |
| 931 | D0-04098001 | GRM188F11E104ZA01D | 1 | 10/P | | | | | | | C931 | |
| 932 | D0-04098001 | GRM188F11E104ZA01D | 1 | 10/P | | | | | | | C932 | |
| 933 | D0-04098001 | GRM188F11E104ZA01D | 1 | 10/P | | | | | | | C933 | |
| 934 | D0-04098001 | GRM188F11E104ZA01D | 1 | 10/P | | | | | | | C934 | |
| 935 | D0-04098001 | GRM188F11E104ZA01D | 1 | 10/P | | | | | | | C935 | |
| 936 | D0-04098001 | GRM188F11E104ZA01D | 1 | 10/P | | | | | | | C936 | |
| 937 | D0-04098001 | GRM188F11E104ZA01D | 1 | 10/P | | | | | | | C937 | |
| 938 | D0-04098001 | GRM188F11E104ZA01D | 1 | 10/P | | | | | | | C938 | |
| 939 | D0-04098001 | GRM188F11E104ZA01D | 1 | 10/P | | | | | | | C939 | |
| 940 | D0-04098001 | GRM188F11E104ZA01D | 1 | 10/P | | | | | | | C940 | |
| 941 | D0-04098001 | GRM188F11E104ZA01D | 1 | 10/P | | | | | | | C941 | |
| 942 | D0-04098001 | GRM188F11E104ZA01D | 1 | 10/P | | | | | | | C942 | |
| 943 | D0-04098001 | GRM188F11E104ZA01D | 1 | 10/P | | | | | | | C943 | |
| 944 | D0-04098001 | GRM188F11E104ZA01D | 1 | 10/P | | | | | | | C944 | |
| 945 | D0-04098001 | GRM188F11E104ZA01D | 1 | 10/P | | | | | | | C945 | |
| 946 | D0-04098001 | GRM188F11E104ZA01D | 1 | 10/P | | | | | | | C946 | |
| 947 | D0-04098001 | GRM188F11E104ZA01D | 1 | 10/P | | | | | | | C947 | |
| 948 | D0-04098001 | GRM188F11E104ZA01D | 1 | 10/P | | | | | | | C948 | |
| 949 | D0-04098001 | GRM188F11E104ZA01D | 1 | 10/P | | | | | | | C949 | |
| 950 | D0-04098001 | GRM188F11E104ZA01D | 1 | 10/P | | | | | | | C950 | |
| 951 | D0-04098001 | GRM188F11E104ZA01D | 1 | 10/P | | | | | | | C951 | |
| 952 | D0-04098001 | GRM188F11E104ZA01D | 1 | 10/P | | | | | | | C952 | |
| 953 | D0-04098001 | GRM188F11E104ZA01D | 1 | 10/P | | | | | | | C953 | |
| 954 | D0-04098001 | GRM188F11E104ZA01D | 1 | 10/P | | | | | | | C954 | |
| 955 | D0-04098001 | GRM188F11E104ZA01D | 1 | 10/P | | | | | | | C955 | |
| 956 | D0-04098001 | GRM188F11E104ZA01D | 1 | 10/P | | | | | | | C956 | |
| 957 | D0-04098001 | GRM188F11E104ZA01D | 1 | 10/P | | | | | | | C957 | |
| 958 | D0-04098001 | GRM188F11E104ZA01D | 1 | 10/P | | | | | | | C958 | |
| 959 | D0-04098001 | GRM188F11E104ZA01D | 1 | 10/P | | | | | | | C959 | |
| 960 | D0-04098001 | GRM188F11E104ZA01D | 1 | 10/P | | | | | | | C960 | |
| 961 | D0-04098001 | GRM188F11E104ZA01D | 1 | 10/P | | | | | | | C961 | |
| 962 | D0-04098001 | GRM188F11E104ZA01D | 1 | 10/P | | | | | | | C962 | |
| 963 | D0-04098001 | GRM188F11E104ZA01D | 1 | 10/P | | | | | | | C963 | |
| 964 | D0-04098001 | GRM188F11E104ZA01D | 1 | 10/P | | | | | | | C964 | |
| 965 | D0-04098001 | GRM188F11E104ZA01D | 1 | 10/P | | | | | | | C965 | |
| 966 | D0-04098001 | GRM188F11E104ZA01D | 1 | 10/P | | | | | | | C966 | |
| 967 | D0-04098001 | GRM188F11E104ZA01D | 1 | 10/P | | | | | | | C967 | |
| 981 | D0-23887001 | MCR03EZPJ000 | 1 | 5/P | | | | | | | FB1 | |
| | | | | | | | | | | | | |
| | | | | | | | | | | | | |
| | | | | | | | | | | | | |

| ITEM No. | PART No. | PART NAME | Q'TY / PAGE | Q'TY / PACK | P | I | R | BSI No. | TO | FROM | REMARKS | |
|----------|-------------|---------------|-------------|-------------|---|---|---|---------|----|------|----------|--|
| | | | | | | | | | | | Location | |
| 1 | D0-24551001 | MCR01MZPJ223 | 1 | | | | | | | | R1 | |
| 2 | D0-24551001 | MCR01MZPJ223 | 1 | | | | | | | | R2 | |
| 3 | D0-24551001 | MCR01MZPJ223 | 1 | | | | | | | | R3 | |
| 4 | D0-24551001 | MCR01MZPJ223 | 1 | | | | | | | | R4 | |
| 5 | D0-24551001 | MCR01MZPJ223 | 1 | | | | | | | | R5 | |
| 6 | D0-24565001 | MCR01MZPF1001 | 1 | | | | | | | | R6 | |
| 7 | D0-24541001 | MCR01MZPF1501 | 1 | | | | | | | | R7 | |
| 9 | D0-24661001 | MCR01MZPJ100 | 1 | | | | | | | | R9 | |
| 14 | D0-24553001 | MCR01MZPJ103 | 1 | 5/P | | | | | | | R14 | |
| 15 | D0-24554001 | MCR01MZPJ102 | 1 | | | | | | | | R15 | |
| 16 | D0-24563001 | MCR01MZPJ101 | 1 | 5/P | | | | | | | R16 | |
| 17 | D0-24557001 | MCR01MZPJ472 | 1 | 5/P | | | | | | | R17 | |
| 18 | D0-24557001 | MCR01MZPJ472 | 1 | 5/P | | | | | | | R18 | |
| 19 | D0-24557001 | MCR01MZPJ472 | 1 | 5/P | | | | | | | R19 | |
| 20 | D0-24548001 | MCR01MZPJ473 | 1 | | | | | | | | R20 | |
| 21 | D0-24551001 | MCR01MZPJ223 | 1 | | | | | | | | R21 | |
| 22 | D0-24557001 | MCR01MZPJ472 | 1 | 5/P | | | | | | | R22 | |
| 23 | D0-24565001 | MCR01MZPF1001 | 1 | | | | | | | | R23 | |
| 25 | D0-24565001 | MCR01MZPF1001 | 1 | | | | | | | | R25 | |
| 26 | D0-24565001 | MCR01MZPF1001 | 1 | | | | | | | | R26 | |
| 29 | D0-24554001 | MCR01MZPJ102 | 1 | | | | | | | | R29 | |
| 30 | D0-24557001 | MCR01MZPJ472 | 1 | 5/P | | | | | | | R30 | |
| 31 | D0-24551001 | MCR01MZPJ223 | 1 | | | | | | | | R31 | |
| 32 | D0-24553001 | MCR01MZPJ103 | 1 | 5/P | | | | | | | R32 | |
| 33 | D0-24563001 | MCR01MZPJ101 | 1 | 5/P | | | | | | | R33 | |
| 34 | D0-24564001 | MCR01MZPJ220 | 1 | 5/P | | | | | | | R34 | |
| 35 | D0-24557001 | MCR01MZPJ472 | 1 | 5/P | | | | | | | R35 | |
| 36 | D0-24557001 | MCR01MZPJ472 | 1 | 5/P | | | | | | | R36 | |
| 37 | D0-24557001 | MCR01MZPJ472 | 1 | 5/P | | | | | | | R37 | |
| 38 | D0-24557001 | MCR01MZPJ472 | 1 | 5/P | | | | | | | R38 | |
| 39 | D0-24557001 | MCR01MZPJ472 | 1 | 5/P | | | | | | | R39 | |
| 40 | D0-24557001 | MCR01MZPJ472 | 1 | 5/P | | | | | | | R40 | |
| 41 | D0-24557001 | MCR01MZPJ472 | 1 | 5/P | | | | | | | R41 | |
| 42 | D0-24557001 | MCR01MZPJ472 | 1 | 5/P | | | | | | | R42 | |
| 43 | D0-24557001 | MCR01MZPJ472 | 1 | 5/P | | | | | | | R43 | |
| 45 | D0-24553001 | MCR01MZPJ103 | 1 | 5/P | | | | | | | R45 | |
| 48 | D0-24557001 | MCR01MZPJ472 | 1 | 5/P | | | | | | | R48 | |
| 52 | D0-24553001 | MCR01MZPJ103 | 1 | 5/P | | | | | | | R52 | |
| 53 | D0-24667001 | MCR01MZPJ330 | 1 | | | | | | | | R53 | |
| 54 | D0-24551001 | MCR01MZPJ223 | 1 | | | | | | | | R54 | |
| 55 | D0-24551001 | MCR01MZPJ223 | 1 | | | | | | | | R55 | |
| 56 | D0-24551001 | MCR01MZPJ223 | 1 | | | | | | | | R56 | |
| 57 | D0-24551001 | MCR01MZPJ223 | 1 | | | | | | | | R57 | |
| 58 | D0-24836001 | MCR01MZPF3902 | 1 | | | | | | | | R58 | |
| 59 | D0-24551001 | MCR01MZPJ223 | 1 | | | | | | | | R59 | |
| 60 | D0-24557001 | MCR01MZPJ472 | 1 | 5/P | | | | | | | R60 | |
| 61 | D0-24557001 | MCR01MZPJ472 | 1 | 5/P | | | | | | | R61 | |
| 62 | D0-24557001 | MCR01MZPJ472 | 1 | 5/P | | | | | | | R62 | |
| 63 | D0-24557001 | MCR01MZPJ472 | 1 | 5/P | | | | | | | R63 | |
| 64 | D0-24565001 | MCR01MZPF1001 | 1 | | | | | | | | R64 | |
| 65 | D0-24557001 | MCR01MZPJ472 | 1 | 5/P | | | | | | | R65 | |
| 66 | D0-24545001 | MCR01MZPJ470 | 1 | | | | | | | | R66 | |
| 67 | D0-24545001 | MCR01MZPJ470 | 1 | | | | | | | | R67 | |
| 68 | D0-24742001 | MCR01MZPJ221 | 1 | | | | | | | | R68 | |
| 69 | D0-24564001 | MCR01MZPJ220 | 1 | 5/P | | | | | | | R69 | |
| 70 | D0-24564001 | MCR01MZPJ220 | 1 | 5/P | | | | | | | R70 | |
| 71 | D0-24742001 | MCR01MZPJ221 | 1 | | | | | | | | R71 | |
| 72 | D0-24545001 | MCR01MZPJ470 | 1 | | | | | | | | R72 | |
| 73 | D0-24564001 | MCR01MZPJ220 | 1 | 5/P | | | | | | | R73 | |
| 74 | D0-20340001 | MCR50JZHJ4R7 | 1 | | | | | | | | R74 | |
| 75 | D0-24542001 | MCR01MZPF1502 | 1 | | | | | | | | R75 | |
| 76 | D0-24742001 | MCR01MZPJ221 | 1 | | | | | | | | R76 | |
| 77 | D0-24564001 | MCR01MZPJ220 | 1 | 5/P | | | | | | | R77 | |
| 78 | D0-24550001 | MCR01MZPJ471 | 1 | | | | | | | | R78 | |
| 79 | D0-24830001 | MCR01MZPF3302 | 1 | | | | | | | | R79 | |

| ITEM No. | PART No. | PART NAME | Q'TY / PAGE | Q'TY / PACK | P | I | R | BSI No. | TO | FROM | REMARKS | |
|----------|-------------|---------------|-------------|-------------|---|---|---|---------|----|------|----------|--|
| | | | | | | | | | | | Location | |
| 82 | D0-24548001 | MCR01MZPJ473 | 1 | | | | | | | | R82 | |
| 83 | D0-24670001 | MCR01MZPJ912 | 1 | | | | | | | | R83 | |
| 85 | D0-24553001 | MCR01MZPJ103 | 1 | 5/P | | | | | | | R85 | |
| 86 | D0-24553001 | MCR01MZPJ103 | 1 | 5/P | | | | | | | R86 | |
| 87 | D0-24553001 | MCR01MZPJ103 | 1 | 5/P | | | | | | | R87 | |
| 88 | D0-24553001 | MCR01MZPJ103 | 1 | 5/P | | | | | | | R88 | |
| 89 | D0-24553001 | MCR01MZPJ103 | 1 | 5/P | | | | | | | R89 | |
| 90 | D0-24553001 | MCR01MZPJ103 | 1 | 5/P | | | | | | | R90 | |
| 91 | D0-24553001 | MCR01MZPJ103 | 1 | 5/P | | | | | | | R91 | |
| 92 | D0-24563001 | MCR01MZPJ101 | 1 | 5/P | | | | | | | R92 | |
| 93 | D0-24563001 | MCR01MZPJ101 | 1 | 5/P | | | | | | | R93 | |
| 94 | D0-24563001 | MCR01MZPJ101 | 1 | 5/P | | | | | | | R94 | |
| 95 | D0-24553001 | MCR01MZPJ103 | 1 | 5/P | | | | | | | R95 | |
| 96 | D0-24553001 | MCR01MZPJ103 | 1 | 5/P | | | | | | | R96 | |
| 97 | D0-24553001 | MCR01MZPJ103 | 1 | 5/P | | | | | | | R97 | |
| 98 | D0-24553001 | MCR01MZPJ103 | 1 | 5/P | | | | | | | R98 | |
| 99 | D0-24564001 | MCR01MZPJ220 | 1 | 5/P | | | | | | | R99 | |
| 100 | D0-24564001 | MCR01MZPJ220 | 1 | 5/P | | | | | | | R100 | |
| 101 | D0-24568001 | MCR01MZPJ682 | 1 | | | | | | | | R101 | |
| 102 | D0-24551001 | MCR01MZPJ223 | 1 | | | | | | | | R102 | |
| 103 | D0-24563001 | MCR01MZPJ101 | 1 | 5/P | | | | | | | R103 | |
| 104 | D0-24563001 | MCR01MZPJ101 | 1 | 5/P | | | | | | | R104 | |
| 106 | D0-24563001 | MCR01MZPJ101 | 1 | 5/P | | | | | | | R106 | |
| 108 | D0-24563001 | MCR01MZPJ101 | 1 | 5/P | | | | | | | R108 | |
| 109 | D0-24563001 | MCR01MZPJ101 | 1 | 5/P | | | | | | | R109 | |
| 111 | D0-24563001 | MCR01MZPJ101 | 1 | 5/P | | | | | | | R111 | |
| 112 | D0-24563001 | MCR01MZPJ101 | 1 | 5/P | | | | | | | R112 | |
| 113 | D0-24563001 | MCR01MZPJ101 | 1 | 5/P | | | | | | | R113 | |
| 114 | D0-24563001 | MCR01MZPJ101 | 1 | 5/P | | | | | | | R114 | |
| 115 | D0-24563001 | MCR01MZPJ101 | 1 | 5/P | | | | | | | R115 | |
| 116 | D0-24563001 | MCR01MZPJ101 | 1 | 5/P | | | | | | | R116 | |
| 117 | D0-24563001 | MCR01MZPJ101 | 1 | 5/P | | | | | | | R117 | |
| 118 | D0-24563001 | MCR01MZPJ101 | 1 | 5/P | | | | | | | R118 | |
| 119 | D0-24563001 | MCR01MZPJ101 | 1 | 5/P | | | | | | | R119 | |
| 120 | D0-24563001 | MCR01MZPJ101 | 1 | 5/P | | | | | | | R120 | |
| 121 | D0-24563001 | MCR01MZPJ101 | 1 | 5/P | | | | | | | R121 | |
| 122 | D0-24563001 | MCR01MZPJ101 | 1 | 5/P | | | | | | | R122 | |
| 123 | D0-24557001 | MCR01MZPJ472 | 1 | 5/P | | | | | | | R123 | |
| 124 | D0-24557001 | MCR01MZPJ472 | 1 | 5/P | | | | | | | R124 | |
| 125 | D0-24553001 | MCR01MZPJ103 | 1 | 5/P | | | | | | | R125 | |
| 126 | D0-24553001 | MCR01MZPJ103 | 1 | 5/P | | | | | | | R126 | |
| 127 | D0-24564001 | MCR01MZPJ220 | 1 | 5/P | | | | | | | R127 | |
| 128 | D0-24564001 | MCR01MZPJ220 | 1 | 5/P | | | | | | | R128 | |
| 129 | D0-24564001 | MCR01MZPJ220 | 1 | 5/P | | | | | | | R129 | |
| 130 | D0-24564001 | MCR01MZPJ220 | 1 | 5/P | | | | | | | R130 | |
| 131 | D0-24564001 | MCR01MZPJ220 | 1 | 5/P | | | | | | | R131 | |
| 132 | D0-24564001 | MCR01MZPJ220 | 1 | 5/P | | | | | | | R132 | |
| 133 | D0-24564001 | MCR01MZPJ220 | 1 | 5/P | | | | | | | R133 | |
| 134 | D0-24564001 | MCR01MZPJ220 | 1 | 5/P | | | | | | | R134 | |
| 135 | D0-24564001 | MCR01MZPJ220 | 1 | 5/P | | | | | | | R135 | |
| 136 | D0-24564001 | MCR01MZPJ220 | 1 | 5/P | | | | | | | R136 | |
| 137 | D0-24559001 | MCR01MZPF1002 | 1 | | | | | | | | R137 | |
| 138 | D0-24557001 | MCR01MZPJ472 | 1 | 5/P | | | | | | | R138 | |
| 139 | D0-24554001 | MCR01MZPJ102 | 1 | | | | | | | | R139 | |
| 140 | D0-24554001 | MCR01MZPJ102 | 1 | | | | | | | | R140 | |
| 141 | D0-24563001 | MCR01MZPJ101 | 1 | 5/P | | | | | | | R141 | |
| 142 | D0-24742001 | MCR01MZPJ221 | 1 | | | | | | | | R142 | |
| 143 | D0-24742001 | MCR01MZPJ221 | 1 | | | | | | | | R143 | |
| 144 | D0-24742001 | MCR01MZPJ221 | 1 | | | | | | | | R144 | |
| 145 | D0-24742001 | MCR01MZPJ221 | 1 | | | | | | | | R145 | |
| 146 | D0-24542001 | MCR01MZPF1502 | 1 | | | | | | | | R146 | |
| 147 | D0-24542001 | MCR01MZPF1502 | 1 | | | | | | | | R147 | |
| 148 | D0-24542001 | MCR01MZPF1502 | 1 | | | | | | | | R148 | |
| 149 | D0-24542001 | MCR01MZPF1502 | 1 | | | | | | | | R149 | |
| 150 | D0-24695001 | MCR01MZPF3901 | 1 | | | | | | | | R150 | |

| ITEM No. | PART No. | PART NAME | Q'TY / PAGE | Q'TY / PACK | P | I | R | BSI No. | TO | FROM | REMARKS | |
|----------|-------------|---------------|-------------|-------------|---|---|---|---------|----|------|----------|--|
| | | | | | | | | | | | Location | |
| 151 | D0-24695001 | MCR01MZPF3901 | 1 | | | | | | | | R151 | |
| 152 | D0-24695001 | MCR01MZPF3901 | 1 | | | | | | | | R152 | |
| 153 | D0-24695001 | MCR01MZPF3901 | 1 | | | | | | | | R153 | |
| 154 | D0-24542001 | MCR01MZPF1502 | 1 | | | | | | | | R154 | |
| 155 | D0-24695001 | MCR01MZPF3901 | 1 | | | | | | | | R155 | |
| 156 | D0-24544001 | MCR01MZPJ000 | 1 | 5/P | | | | | | | R156 | |
| 157 | D0-24551001 | MCR01MZPJ223 | 1 | | | | | | | | R157 | |
| 158 | D0-24553001 | MCR01MZPJ103 | 1 | 5/P | | | | | | | R158 | |
| 160 | D0-24544001 | MCR01MZPJ000 | 1 | 5/P | | | | | | | R160 | |
| 161 | D0-23887001 | MCR03EZPJ000 | 1 | 5/P | | | | | | | R161 | |
| 164 | D0-24544001 | MCR01MZPJ000 | 1 | 5/P | | | | | | | R164 | |
| 166 | D0-24543001 | MCR01MZPJ750 | 1 | | | | | | | | R166 | |
| 167 | D0-24543001 | MCR01MZPJ750 | 1 | | | | | | | | R167 | |
| 168 | D0-24543001 | MCR01MZPJ750 | 1 | | | | | | | | R168 | |
| 169 | D0-23931001 | MCR03EZPJ511 | 1 | | | | | | | | R169 | |
| 170 | D0-24565001 | MCR01MZPF1001 | 1 | | | | | | | | R170 | |
| 175 | D0-24564001 | MCR01MZPJ220 | 1 | 5/P | | | | | | | R175 | |
| 176 | D0-24564001 | MCR01MZPJ220 | 1 | 5/P | | | | | | | R176 | |
| 177 | D0-24551001 | MCR01MZPJ223 | 1 | | | | | | | | R177 | |
| 178 | D0-24551001 | MCR01MZPJ223 | 1 | | | | | | | | R178 | |
| 179 | D0-24557001 | MCR01MZPJ472 | 1 | 5/P | | | | | | | R179 | |
| 181 | D0-24564001 | MCR01MZPJ220 | 1 | 5/P | | | | | | | R181 | |
| 182 | D0-24564001 | MCR01MZPJ220 | 1 | 5/P | | | | | | | R182 | |
| 183 | D0-24566001 | MCR01MZPJ104 | 1 | 5/P | | | | | | | R183 | |
| 184 | D0-24551001 | MCR01MZPJ223 | 1 | | | | | | | | R184 | |
| 185 | D0-24553001 | MCR01MZPJ103 | 1 | 5/P | | | | | | | R185 | |
| 186 | D0-24553001 | MCR01MZPJ103 | 1 | 5/P | | | | | | | R186 | |
| 187 | D0-24557001 | MCR01MZPJ472 | 1 | 5/P | | | | | | | R187 | |
| 188 | D0-24551001 | MCR01MZPJ223 | 1 | | | | | | | | R188 | |
| 189 | D0-24559001 | MCR01MZPF1002 | 1 | | | | | | | | R189 | |
| 190 | D0-24554001 | MCR01MZPJ102 | 1 | | | | | | | | R190 | |
| 191 | D0-24554001 | MCR01MZPJ102 | 1 | | | | | | | | R191 | |
| 192 | D0-24559001 | MCR01MZPF1002 | 1 | | | | | | | | R192 | |
| 194 | D0-24564001 | MCR01MZPJ220 | 1 | 5/P | | | | | | | R194 | |
| 195 | D0-24564001 | MCR01MZPJ220 | 1 | 5/P | | | | | | | R195 | |
| 196 | D0-24564001 | MCR01MZPJ220 | 1 | 5/P | | | | | | | R196 | |
| 197 | D0-24564001 | MCR01MZPJ220 | 1 | 5/P | | | | | | | R197 | |
| 198 | D0-24564001 | MCR01MZPJ220 | 1 | 5/P | | | | | | | R198 | |
| 199 | D0-24564001 | MCR01MZPJ220 | 1 | 5/P | | | | | | | R199 | |
| 200 | D0-24564001 | MCR01MZPJ220 | 1 | 5/P | | | | | | | R200 | |
| 201 | D0-24553001 | MCR01MZPJ103 | 1 | 5/P | | | | | | | R201 | |
| 202 | D0-24553001 | MCR01MZPJ103 | 1 | 5/P | | | | | | | R202 | |
| 204 | D0-24553001 | MCR01MZPJ103 | 1 | 5/P | | | | | | | R204 | |
| 205 | D0-24553001 | MCR01MZPJ103 | 1 | 5/P | | | | | | | R205 | |
| 206 | D0-24553001 | MCR01MZPJ103 | 1 | 5/P | | | | | | | R206 | |
| 207 | D0-24564001 | MCR01MZPJ220 | 1 | 5/P | | | | | | | R207 | |
| 208 | D0-24564001 | MCR01MZPJ220 | 1 | 5/P | | | | | | | R208 | |
| 209 | D0-24564001 | MCR01MZPJ220 | 1 | 5/P | | | | | | | R209 | |
| 210 | D0-24564001 | MCR01MZPJ220 | 1 | 5/P | | | | | | | R210 | |
| 211 | D0-24564001 | MCR01MZPJ220 | 1 | 5/P | | | | | | | R211 | |
| 212 | D0-24564001 | MCR01MZPJ220 | 1 | 5/P | | | | | | | R212 | |
| 213 | D0-24564001 | MCR01MZPJ220 | 1 | 5/P | | | | | | | R213 | |
| 214 | D0-24564001 | MCR01MZPJ220 | 1 | 5/P | | | | | | | R214 | |
| 215 | D0-24564001 | MCR01MZPJ220 | 1 | 5/P | | | | | | | R215 | |
| 216 | D0-24564001 | MCR01MZPJ220 | 1 | 5/P | | | | | | | R216 | |
| 217 | D0-24564001 | MCR01MZPJ220 | 1 | 5/P | | | | | | | R217 | |
| 218 | D0-24564001 | MCR01MZPJ220 | 1 | 5/P | | | | | | | R218 | |
| 219 | D0-24564001 | MCR01MZPJ220 | 1 | 5/P | | | | | | | R219 | |
| 220 | D0-24564001 | MCR01MZPJ220 | 1 | 5/P | | | | | | | R220 | |
| 221 | D0-24564001 | MCR01MZPJ220 | 1 | 5/P | | | | | | | R221 | |
| 222 | D0-24564001 | MCR01MZPJ220 | 1 | 5/P | | | | | | | R222 | |
| 223 | D0-24553001 | MCR01MZPJ103 | 1 | 5/P | | | | | | | R223 | |
| 224 | D0-24553001 | MCR01MZPJ103 | 1 | 5/P | | | | | | | R224 | |
| 225 | D0-24564001 | MCR01MZPJ220 | 1 | 5/P | | | | | | | R225 | |
| 226 | D0-24564001 | MCR01MZPJ220 | 1 | 5/P | | | | | | | R226 | |

| ITEM No. | PART No. | PART NAME | Q'TY / PAGE | Q'TY / PACK | P | I | R | BSI No. | TO | FROM | REMARKS | |
|----------|-------------|---------------|-------------|-------------|---|---|---|---------|----|------|----------|--|
| | | | | | | | | | | | Location | |
| 227 | D0-24564001 | MCR01MZPJ220 | 1 | 5/P | | | | | | | R227 | |
| 228 | D0-24564001 | MCR01MZPJ220 | 1 | 5/P | | | | | | | R228 | |
| 229 | D0-24564001 | MCR01MZPJ220 | 1 | 5/P | | | | | | | R229 | |
| 230 | D0-24564001 | MCR01MZPJ220 | 1 | 5/P | | | | | | | R230 | |
| 231 | D0-24564001 | MCR01MZPJ220 | 1 | 5/P | | | | | | | R231 | |
| 232 | D0-24564001 | MCR01MZPJ220 | 1 | 5/P | | | | | | | R232 | |
| 233 | D0-24563001 | MCR01MZPJ101 | 1 | 5/P | | | | | | | R233 | |
| 234 | D0-24563001 | MCR01MZPJ101 | 1 | 5/P | | | | | | | R234 | |
| 235 | D0-24563001 | MCR01MZPJ101 | 1 | 5/P | | | | | | | R235 | |
| 236 | D0-24563001 | MCR01MZPJ101 | 1 | 5/P | | | | | | | R236 | |
| 237 | D0-24563001 | MCR01MZPJ101 | 1 | 5/P | | | | | | | R237 | |
| 238 | D0-24661001 | MCR01MZPJ100 | 1 | | | | | | | | R238 | |
| 239 | D0-24543001 | MCR01MZPJ750 | 1 | | | | | | | | R239 | |
| 240 | D0-24551001 | MCR01MZPJ223 | 1 | | | | | | | | R240 | |
| 243 | D0-24557001 | MCR01MZPJ472 | 1 | 5/P | | | | | | | R243 | |
| 244 | D0-24694001 | MCR01MZPF3601 | 1 | | | | | | | | R244 | |
| 245 | D0-24558001 | MCR01MZPF2201 | 1 | | | | | | | | R245 | |
| 246 | D0-24563001 | MCR01MZPJ101 | 1 | 5/P | | | | | | | R246 | |
| 247 | D0-25457001 | MCR01MZPF1212 | 1 | | | | | | | | R247 | |
| 248 | D0-24563001 | MCR01MZPJ101 | 1 | 5/P | | | | | | | R248 | |
| 249 | D0-24553001 | MCR01MZPJ103 | 1 | 5/P | | | | | | | R249 | |
| 250 | D0-24553001 | MCR01MZPJ103 | 1 | 5/P | | | | | | | R250 | |
| 251 | D0-24553001 | MCR01MZPJ103 | 1 | 5/P | | | | | | | R251 | |
| 252 | D0-24563001 | MCR01MZPJ101 | 1 | 5/P | | | | | | | R252 | |
| 253 | D0-24553001 | MCR01MZPJ103 | 1 | 5/P | | | | | | | R253 | |
| 254 | D0-24553001 | MCR01MZPJ103 | 1 | 5/P | | | | | | | R254 | |
| 255 | D0-24553001 | MCR01MZPJ103 | 1 | 5/P | | | | | | | R255 | |
| 256 | D0-24553001 | MCR01MZPJ103 | 1 | 5/P | | | | | | | R256 | |
| 257 | D0-21116001 | RSMF1TB100J | 1 | 5/P | | | | | | | R257 | |
| 258 | D0-21116001 | RSMF1TB100J | 1 | 5/P | | | | | | | R258 | |
| 259 | D0-24564001 | MCR01MZPJ220 | 1 | 5/P | | | | | | | R259 | |
| 260 | D0-25455001 | MCR01MZPJ303 | 1 | | | | | | | | R260 | |
| 262 | D0-24564001 | MCR01MZPJ220 | 1 | 5/P | | | | | | | R262 | |
| 263 | D0-24665001 | MCR01MZPJ152 | 1 | | | | | | | | R263 | |
| 264 | D0-25456001 | MCR01MZPJ390 | 1 | | | | | | | | R264 | |
| 265 | D0-25456001 | MCR01MZPJ390 | 1 | | | | | | | | R265 | |
| 266 | D0-24665001 | MCR01MZPJ152 | 1 | | | | | | | | R266 | |
| 267 | D0-24551001 | MCR01MZPJ223 | 1 | | | | | | | | R267 | |
| 268 | D0-24543001 | MCR01MZPJ750 | 1 | | | | | | | | R268 | |
| 269 | D0-25455001 | MCR01MZPJ303 | 1 | | | | | | | | R269 | |
| 270 | D0-24850001 | MCR01MZPJ153 | 1 | | | | | | | | R270 | |
| 271 | D0-24553001 | MCR01MZPJ103 | 1 | 5/P | | | | | | | R271 | |
| 272 | D0-24544001 | MCR01MZPJ000 | 1 | 5/P | | | | | | | R272 | |
| 273 | D0-24544001 | MCR01MZPJ000 | 1 | 5/P | | | | | | | R273 | |
| 277 | D0-24544001 | MCR01MZPJ000 | 1 | 5/P | | | | | | | R277 | |
| 278 | D0-24557001 | MCR01MZPJ472 | 1 | 5/P | | | | | | | R278 | |
| 279 | D0-24551001 | MCR01MZPJ223 | 1 | | | | | | | | R279 | |
| 280 | D0-24553001 | MCR01MZPJ103 | 1 | 5/P | | | | | | | R280 | |
| 282 | D0-24553001 | MCR01MZPJ103 | 1 | 5/P | | | | | | | R282 | |
| 283 | D0-24546001 | MCR01MZPJ222 | 1 | | | | | | | | R283 | |
| 284 | D0-24553001 | MCR01MZPJ103 | 1 | 5/P | | | | | | | R284 | |
| 290 | D0-24550001 | MCR01MZPJ471 | 1 | | | | | | | | R290 | |
| 291 | D0-24550001 | MCR01MZPJ471 | 1 | | | | | | | | R291 | |
| 292 | D0-24550001 | MCR01MZPJ471 | 1 | | | | | | | | R292 | |
| 293 | D0-24661001 | MCR01MZPJ100 | 1 | | | | | | | | R293 | |
| 294 | D0-25956001 | MCR01MZPJ472 | 1 | | | | | | | | R294 | |
| 295 | D0-24564001 | MCR01MZPJ220 | 1 | 5/P | | | | | | | R295 | |
| 296 | D0-24563001 | MCR01MZPJ101 | 1 | 5/P | | | | | | | R296 | |
| 300 | D0-24546001 | MCR01MZPJ222 | 1 | | | | | | | | R300 | |
| 301 | D0-24557001 | MCR01MZPJ472 | 1 | 5/P | | | | | | | R301 | |
| 302 | D0-24557001 | MCR01MZPJ472 | 1 | 5/P | | | | | | | R302 | |
| 303 | D0-24557001 | MCR01MZPJ472 | 1 | 5/P | | | | | | | R303 | |
| 304 | D0-24557001 | MCR01MZPJ472 | 1 | 5/P | | | | | | | R304 | |
| 305 | D0-24557001 | MCR01MZPJ472 | 1 | 5/P | | | | | | | R305 | |
| 306 | D0-24551001 | MCR01MZPJ223 | 1 | | | | | | | | R306 | |

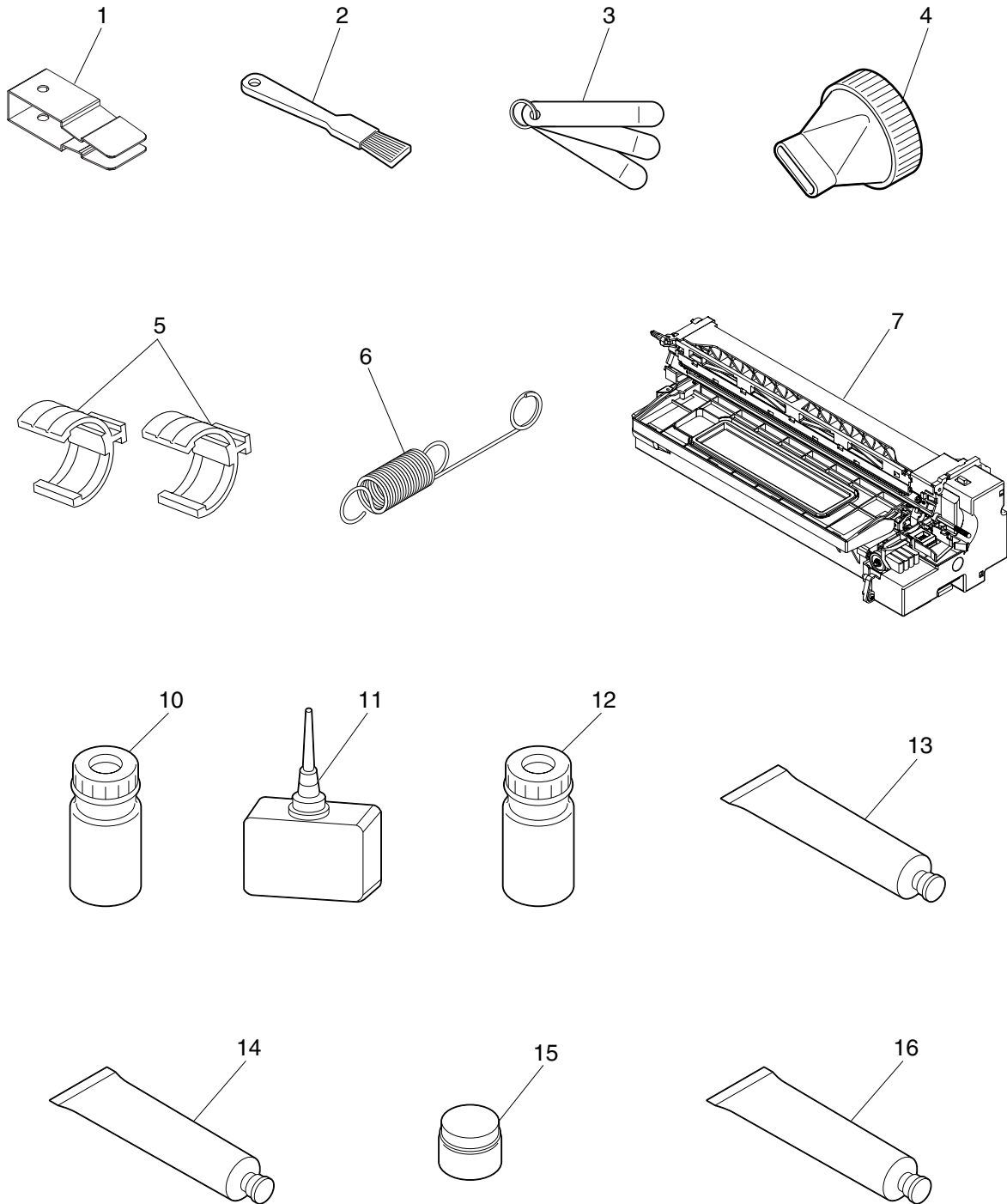
| ITEM No. | PART No. | PART NAME | Q'TY / PAGE | Q'TY / PACK | P | I | R | BSI No. | TO | FROM | REMARKS | |
|----------|-------------|---------------|-------------|-------------|---|---|---|---------|----|------|----------|--|
| | | | | | | | | | | | Location | |
| 307 | D0-24740001 | MCR01MZPJ272 | 1 | | | | | | | | R307 | |
| 308 | D0-24740001 | MCR01MZPJ272 | 1 | | | | | | | | R308 | |
| 309 | D0-24740001 | MCR01MZPJ272 | 1 | | | | | | | | R309 | |
| 310 | D0-24740001 | MCR01MZPJ272 | 1 | | | | | | | | R310 | |
| 311 | D0-24557001 | MCR01MZPJ472 | 1 | 5/P | | | | | | | R311 | |
| 312 | D0-24557001 | MCR01MZPJ472 | 1 | 5/P | | | | | | | R312 | |
| 313 | D0-24551001 | MCR01MZPJ223 | 1 | | | | | | | | R313 | |
| 314 | D0-24551001 | MCR01MZPJ223 | 1 | | | | | | | | R314 | |
| 316 | D0-24563001 | MCR01MZPJ101 | 1 | 5/P | | | | | | | R316 | |
| 317 | D0-24661001 | MCR01MZPJ100 | 1 | | | | | | | | R317 | |
| 318 | D0-24564001 | MCR01MZPJ220 | 1 | 5/P | | | | | | | R318 | |
| 319 | D0-24553001 | MCR01MZPJ103 | 1 | 5/P | | | | | | | R319 | |
| 320 | D0-24564001 | MCR01MZPJ220 | 1 | 5/P | | | | | | | R320 | |
| 321 | D0-24553001 | MCR01MZPJ103 | 1 | 5/P | | | | | | | R321 | |
| 322 | D0-24553001 | MCR01MZPJ103 | 1 | 5/P | | | | | | | R322 | |
| 323 | D0-24665001 | MCR01MZPJ152 | 1 | | | | | | | | R323 | |
| 324 | D0-25454001 | MCR01MZPJ113 | 1 | | | | | | | | R324 | |
| 327 | D0-24665001 | MCR01MZPJ152 | 1 | | | | | | | | R327 | |
| 328 | D0-25454001 | MCR01MZPJ113 | 1 | | | | | | | | R328 | |
| 329 | D0-24553001 | MCR01MZPJ103 | 1 | 5/P | | | | | | | R329 | |
| 330 | D0-24563001 | MCR01MZPJ101 | 1 | 5/P | | | | | | | R330 | |
| 331 | D0-24661001 | MCR01MZPJ100 | 1 | | | | | | | | R331 | |
| 332 | D0-24564001 | MCR01MZPJ220 | 1 | 5/P | | | | | | | R332 | |
| 333 | D0-24553001 | MCR01MZPJ103 | 1 | 5/P | | | | | | | R333 | |
| 334 | D0-24544001 | MCR01MZPJ000 | 1 | 5/P | | | | | | | R334 | |
| 335 | D0-24544001 | MCR01MZPJ000 | 1 | 5/P | | | | | | | R335 | |
| 336 | D0-24553001 | MCR01MZPJ103 | 1 | 5/P | | | | | | | R336 | |
| 337 | D0-24564001 | MCR01MZPJ220 | 1 | 5/P | | | | | | | R337 | |
| 338 | D0-24564001 | MCR01MZPJ220 | 1 | 5/P | | | | | | | R338 | |
| 339 | D0-24564001 | MCR01MZPJ220 | 1 | 5/P | | | | | | | R339 | |
| 340 | D0-24564001 | MCR01MZPJ220 | 1 | 5/P | | | | | | | R340 | |
| 341 | D0-24564001 | MCR01MZPJ220 | 1 | 5/P | | | | | | | R341 | |
| 342 | D0-24564001 | MCR01MZPJ220 | 1 | 5/P | | | | | | | R342 | |
| 343 | D0-24564001 | MCR01MZPJ220 | 1 | 5/P | | | | | | | R343 | |
| 344 | D0-24564001 | MCR01MZPJ220 | 1 | 5/P | | | | | | | R344 | |
| 345 | D0-24564001 | MCR01MZPJ220 | 1 | 5/P | | | | | | | R345 | |
| 347 | D0-24563001 | MCR01MZPJ101 | 1 | 5/P | | | | | | | R347 | |
| 348 | D0-24563001 | MCR01MZPJ101 | 1 | 5/P | | | | | | | R348 | |
| 349 | D0-24563001 | MCR01MZPJ101 | 1 | 5/P | | | | | | | R349 | |
| 350 | D0-24659001 | MCR01MZPF1302 | 1 | | | | | | | | R350 | |
| 351 | D0-24558001 | MCR01MZPF2201 | 1 | | | | | | | | R351 | |
| 352 | D0-24554001 | MCR01MZPJ102 | 1 | | | | | | | | R352 | |
| 353 | D0-24554001 | MCR01MZPJ102 | 1 | | | | | | | | R353 | |
| 354 | D0-24554001 | MCR01MZPJ102 | 1 | | | | | | | | R354 | |
| 355 | D0-24562001 | MCR01MZPJ681 | 1 | | | | | | | | R355 | |
| 356 | D0-24562001 | MCR01MZPJ681 | 1 | | | | | | | | R356 | |
| 357 | D0-24562001 | MCR01MZPJ681 | 1 | | | | | | | | R357 | |
| 358 | D0-24664001 | MCR01MZPJ151 | 1 | | | | | | | | R358 | |
| 359 | D0-24553001 | MCR01MZPJ103 | 1 | 5/P | | | | | | | R359 | |
| 360 | D0-24557001 | MCR01MZPJ472 | 1 | 5/P | | | | | | | R360 | |
| 365 | D0-24553001 | MCR01MZPJ103 | 1 | 5/P | | | | | | | R365 | |
| 366 | D0-24553001 | MCR01MZPJ103 | 1 | 5/P | | | | | | | R366 | |
| 367 | D0-24553001 | MCR01MZPJ103 | 1 | 5/P | | | | | | | R367 | |
| 368 | D0-24543001 | MCR01MZPJ750 | 1 | | | | | | | | R368 | |
| 369 | D0-24551001 | MCR01MZPJ223 | 1 | | | | | | | | R369 | |
| 370 | D0-24548001 | MCR01MZPJ473 | 1 | | | | | | | | R370 | |
| 371 | D0-24563001 | MCR01MZPJ101 | 1 | 5/P | | | | | | | R371 | |
| 372 | D0-24563001 | MCR01MZPJ101 | 1 | 5/P | | | | | | | R372 | |
| 373 | D0-24563001 | MCR01MZPJ101 | 1 | 5/P | | | | | | | R373 | |
| 374 | D0-24563001 | MCR01MZPJ101 | 1 | 5/P | | | | | | | R374 | |
| 375 | D0-24548001 | MCR01MZPJ473 | 1 | | | | | | | | R375 | |
| 376 | D0-24563001 | MCR01MZPJ101 | 1 | 5/P | | | | | | | R376 | |
| 377 | D0-24557001 | MCR01MZPJ472 | 1 | 5/P | | | | | | | R377 | |
| 378 | D0-24563001 | MCR01MZPJ101 | 1 | 5/P | | | | | | | R378 | |
| 379 | D0-24661001 | MCR01MZPJ100 | 1 | | | | | | | | R379 | |

| ITEM No. | PART No. | PART NAME | Q'TY / PAGE | Q'TY / PACK | P | I | R | BSI No. | TO | FROM | REMARKS | |
|----------|---------------|---------------|-------------|-------------|---|---|---|---------|----|------|----------|-------------|
| | | | | | | | | | | | Location | |
| 380 | D0-24667001 | MCR01MZPJ330 | 1 | | | | | | | | R380 | |
| 381 | D0-24667001 | MCR01MZPJ330 | 1 | | | | | | | | R381 | |
| 382 | D0-24553001 | MCR01MZPJ103 | 1 | 5/P | | | | | | | R382 | |
| 383 | D0-24545001 | MCR01MZPJ470 | 1 | | | | | | | | R383 | |
| 386 | D0-24563001 | MCR01MZPJ101 | 1 | 5/P | | | | | | | R386 | |
| 389 | D0-24563001 | MCR01MZPJ101 | 1 | 5/P | | | | | | | R389 | |
| 392 | D0-24563001 | MCR01MZPJ101 | 1 | 5/P | | | | | | | R392 | |
| 395 | D0-24563001 | MCR01MZPJ101 | 1 | 5/P | | | | | | | R395 | |
| 396 | D0-24742001 | MCR01MZPJ221 | 1 | | | | | | | | R396 | |
| 397 | D0-24742001 | MCR01MZPJ221 | 1 | | | | | | | | R397 | |
| 398 | D0-24742001 | MCR01MZPJ221 | 1 | | | | | | | | R398 | |
| 399 | D0-24742001 | MCR01MZPJ221 | 1 | | | | | | | | R399 | |
| 400 | D0-24742001 | MCR01MZPJ221 | 1 | | | | | | | | R400 | |
| 401 | D0-24552001 | MCR01MZPJ331 | 1 | | | | | | | | R401 | |
| 402 | D0-24742001 | MCR01MZPJ221 | 1 | | | | | | | | R402 | |
| 403 | D0-24552001 | MCR01MZPJ331 | 1 | | | | | | | | R403 | |
| 404 | D0-24742001 | MCR01MZPJ221 | 1 | | | | | | | | R404 | |
| 405 | D0-24552001 | MCR01MZPJ331 | 1 | | | | | | | | R405 | |
| 406 | D0-24742001 | MCR01MZPJ221 | 1 | | | | | | | | R406 | |
| 407 | D0-24552001 | MCR01MZPJ331 | 1 | | | | | | | | R407 | |
| 410 | D0-24773001 | MCR01MZPF8201 | 1 | | | | | | | | R410 | |
| 412 | D0-24554001 | MCR01MZPJ102 | 1 | | | | | | | | R412 | |
| 413 | D0-24740001 | MCR01MZPJ272 | 1 | | | | | | | | R413 | |
| 414 | D0-24553001 | MCR01MZPJ103 | 1 | 5/P | | | | | | | R414 | |
| 416 | D0-24553001 | MCR01MZPJ103 | 1 | 5/P | | | | | | | R416 | |
| 417 | D0-24553001 | MCR01MZPJ103 | 1 | 5/P | | | | | | | R417 | |
| 418 | D0-24557001 | MCR01MZPJ472 | 1 | 5/P | | | | | | | R418 | |
| 419 | D0-24553001 | MCR01MZPJ103 | 1 | 5/P | | | | | | | R419 | |
| 421 | D0-24667001 | MCR01MZPJ330 | 1 | | | | | | | | R421 | |
| 422 | D0-24557001 | MCR01MZPJ472 | 1 | 5/P | | | | | | | R422 | |
| 423 | D0-24553001 | MCR01MZPJ103 | 1 | 5/P | | | | | | | R423 | |
| 424 | D0-24553001 | MCR01MZPJ103 | 1 | 5/P | | | | | | | R424 | |
| 425 | D0-24563001 | MCR01MZPJ101 | 1 | 5/P | | | | | | | R425 | |
| 426 | D0-24667001 | MCR01MZPJ330 | 1 | | | | | | | | R426 | |
| 427 | D0-24559001 | MCR01MZPF1002 | 1 | | | | | | | | R427 | |
| 428 | D0-24659001 | MCR01MZPF1302 | 1 | | | | | | | | R428 | |
| 429 | D0-24667001 | MCR01MZPJ330 | 1 | | | | | | | | R429 | |
| 430 | D0-24667001 | MCR01MZPJ330 | 1 | | | | | | | | R430 | |
| 431 | D0-24559001 | MCR01MZPF1002 | 1 | | | | | | | | R431 | |
| 432 | D0-24659001 | MCR01MZPF1302 | 1 | | | | | | | | R432 | |
| 433 | D0-24662001 | MCR01MZPJ123 | 1 | | | | | | | | R433 | |
| 434 | D0-24553001 | MCR01MZPJ103 | 1 | 5/P | | | | | | | R434 | |
| 435 | D0-24554001 | MCR01MZPJ102 | 1 | | | | | | | | R435 | |
| 436 | D0-24667001 | MCR01MZPJ330 | 1 | | | | | | | | R436 | |
| 438 | D0-24667001 | MCR01MZPJ330 | 1 | | | | | | | | R438 | |
| 439 | D0-24548001 | MCR01MZPJ473 | 1 | | | | | | | | R439 | |
| 440 | D0-24695001 | MCR01MZPF3901 | 1 | | | | | | | | R440 | |
| 441 | D0-24553001 | MCR01MZPJ103 | 1 | 5/P | | | | | | | R441 | |
| 442 | D0-24661001 | MCR01MZPJ100 | 1 | | | | | | | | R442 | |
| 444 | D0-24661001 | MCR01MZPJ100 | 1 | | | | | | | | R444 | |
| 445 | D0-24563001 | MCR01MZPJ101 | 1 | 5/P | | | | | | | R445 | |
| 446 | D0-24544001 | MCR01MZPJ000 | 1 | 5/P | | | | | | | R446 | |
| 448 | D0-24563001 | MCR01MZPJ101 | 1 | 5/P | | | | | | | R448 | |
| 449 | D0-24563001 | MCR01MZPJ101 | 1 | 5/P | | | | | | | R449 | |
| 450 | D0-24563001 | MCR01MZPJ101 | 1 | 5/P | | | | | | | R450 | |
| 451 | D0-24563001 | MCR01MZPJ101 | 1 | 5/P | | | | | | | R451 | |
| 453 | D0-24836001 | MCR01MZPF3902 | 1 | | | | | | | | R453 | |
| 454 | D0-24836001 | MCR01MZPF3902 | 1 | | | | | | | | R454 | |
| 458 | D0-24563001 | MCR01MZPJ101 | 1 | 5/P | | | | | | | R458 | |
| 459 | D0-24563001 | MCR01MZPJ101 | 1 | 5/P | | | | | | | R459 | |
| 460 | D0-24563001 | MCR01MZPJ101 | 1 | 5/P | | | | | | | R460 | |
| 463 | D0-24664001 | MCR01MZPJ151 | 1 | | | | | | | | R463 | |
| 464 | A D0-24553001 | MCR01MZPJ103 | 1 | 5/P | | | | | | | R464 | e-STUDIO163 |
| 465 | B D0-24553001 | MCR01MZPJ103 | 1 | 5/P | | | | | | | R465 | e-STUDIO203 |
| 466 | D0-24557001 | MCR01MZPJ472 | 1 | 5/P | | | | | | | R466 | |

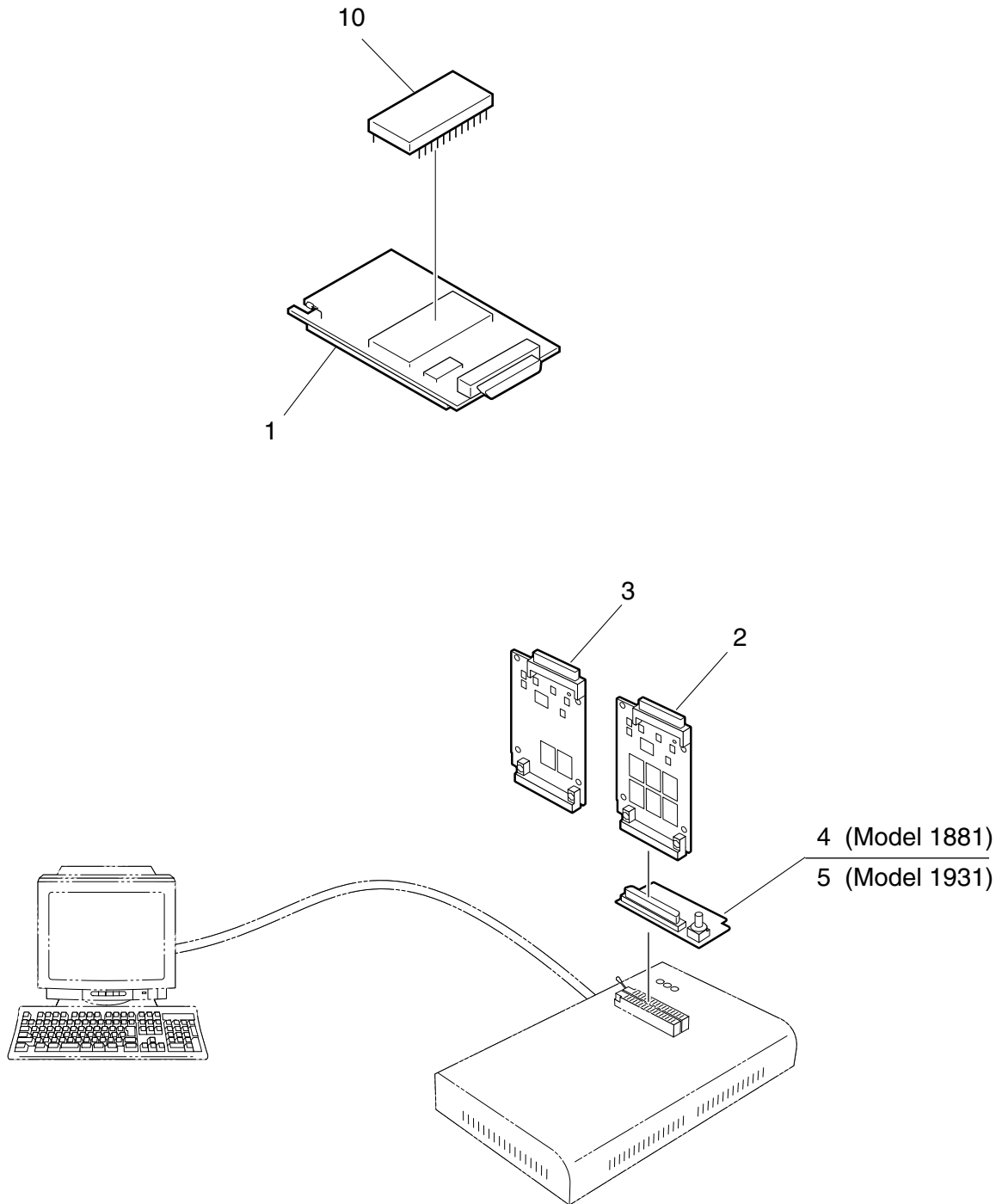
| ITEM No. | PART No. | PART NAME | Q'TY / PAGE | Q'TY / PACK | P | I | R | BSI No. | TO | FROM | REMARKS | |
|----------|-------------|---------------|-------------|-------------|---|---|---|---------|----|------|----------|--|
| | | | | | | | | | | | Location | |
| 467 | D0-24553001 | MCR01MZPJ103 | 1 | 5/P | | | | | | | R467 | |
| 468 | D0-24553001 | MCR01MZPJ103 | 1 | 5/P | | | | | | | R468 | |
| 470 | D0-24553001 | MCR01MZPJ103 | 1 | 5/P | | | | | | | R470 | |
| 471 | D0-24557001 | MCR01MZPJ472 | 1 | 5/P | | | | | | | R471 | |
| 472 | D0-24551001 | MCR01MZPJ223 | 1 | | | | | | | | R472 | |
| 473 | D0-24557001 | MCR01MZPJ472 | 1 | 5/P | | | | | | | R473 | |
| 474 | D0-24551001 | MCR01MZPJ223 | 1 | | | | | | | | R474 | |
| 475 | D0-24557001 | MCR01MZPJ472 | 1 | 5/P | | | | | | | R475 | |
| 476 | D0-24551001 | MCR01MZPJ223 | 1 | | | | | | | | R476 | |
| 477 | D0-24553001 | MCR01MZPJ103 | 1 | 5/P | | | | | | | R477 | |
| 478 | D0-24553001 | MCR01MZPJ103 | 1 | 5/P | | | | | | | R478 | |
| 480 | D0-24553001 | MCR01MZPJ103 | 1 | 5/P | | | | | | | R480 | |
| 481 | D0-24553001 | MCR01MZPJ103 | 1 | 5/P | | | | | | | R481 | |
| 482 | D0-24553001 | MCR01MZPJ103 | 1 | 5/P | | | | | | | R482 | |
| 483 | D0-24553001 | MCR01MZPJ103 | 1 | 5/P | | | | | | | R483 | |
| 484 | D0-24553001 | MCR01MZPJ103 | 1 | 5/P | | | | | | | R484 | |
| 485 | D0-24553001 | MCR01MZPJ103 | 1 | 5/P | | | | | | | R485 | |
| 486 | D0-24667001 | MCR01MZPJ330 | 1 | | | | | | | | R486 | |
| 487 | D0-24557001 | MCR01MZPJ472 | 1 | 5/P | | | | | | | R487 | |
| 488 | D0-24563001 | MCR01MZPJ101 | 1 | 5/P | | | | | | | R488 | |
| 489 | D0-24563001 | MCR01MZPJ101 | 1 | 5/P | | | | | | | R489 | |
| 490 | D0-24564001 | MCR01MZPJ220 | 1 | 5/P | | | | | | | R490 | |
| 491 | D0-24564001 | MCR01MZPJ220 | 1 | 5/P | | | | | | | R491 | |
| 492 | D0-24564001 | MCR01MZPJ220 | 1 | 5/P | | | | | | | R492 | |
| 493 | D0-24667001 | MCR01MZPJ330 | 1 | | | | | | | | R493 | |
| 494 | D0-24667001 | MCR01MZPJ330 | 1 | | | | | | | | R494 | |
| 495 | D0-24667001 | MCR01MZPJ330 | 1 | | | | | | | | R495 | |
| 496 | D0-24553001 | MCR01MZPJ103 | 1 | 5/P | | | | | | | R496 | |
| 497 | D0-24553001 | MCR01MZPJ103 | 1 | 5/P | | | | | | | R497 | |
| 498 | D0-24553001 | MCR01MZPJ103 | 1 | 5/P | | | | | | | R498 | |
| 499 | D0-24557001 | MCR01MZPJ472 | 1 | 5/P | | | | | | | R499 | |
| 500 | D0-24557001 | MCR01MZPJ472 | 1 | 5/P | | | | | | | R500 | |
| 501 | D0-24557001 | MCR01MZPJ472 | 1 | 5/P | | | | | | | R501 | |
| 502 | D0-24557001 | MCR01MZPJ472 | 1 | 5/P | | | | | | | R502 | |
| 503 | D0-24557001 | MCR01MZPJ472 | 1 | 5/P | | | | | | | R503 | |
| 504 | D0-24557001 | MCR01MZPJ472 | 1 | 5/P | | | | | | | R504 | |
| 507 | D0-24553001 | MCR01MZPJ103 | 1 | 5/P | | | | | | | R507 | |
| 509 | D0-24553001 | MCR01MZPJ103 | 1 | 5/P | | | | | | | R509 | |
| 510 | D0-24563001 | MCR01MZPJ101 | 1 | 5/P | | | | | | | R510 | |
| 512 | D0-24553001 | MCR01MZPJ103 | 1 | 5/P | | | | | | | R512 | |
| 513 | D0-24539001 | MCR01MZPF6800 | 1 | | | | | | | | R513 | |
| 514 | D0-24561001 | MCR01MZPF4701 | 1 | | | | | | | | R514 | |
| 515 | D0-24560001 | MCR01MZPF1803 | 1 | | | | | | | | R515 | |
| 516 | D0-24565001 | MCR01MZPF1001 | 1 | | | | | | | | R516 | |
| 517 | D0-24561001 | MCR01MZPF4701 | 1 | | | | | | | | R517 | |
| 518 | D0-24565001 | MCR01MZPF1001 | 1 | | | | | | | | R518 | |
| 519 | D0-24567001 | MCR01MZPF2202 | 1 | | | | | | | | R519 | |
| 520 | D0-24565001 | MCR01MZPF1001 | 1 | | | | | | | | R520 | |
| 521 | D0-24567001 | MCR01MZPF2202 | 1 | | | | | | | | R521 | |
| 522 | D0-24567001 | MCR01MZPF2202 | 1 | | | | | | | | R522 | |
| 523 | D0-24565001 | MCR01MZPF1001 | 1 | | | | | | | | R523 | |
| 524 | D0-24565001 | MCR01MZPF1001 | 1 | | | | | | | | R524 | |
| 525 | D0-24560001 | MCR01MZPF1803 | 1 | | | | | | | | R525 | |
| 526 | D0-24565001 | MCR01MZPF1001 | 1 | | | | | | | | R526 | |
| 527 | D0-24560001 | MCR01MZPF1803 | 1 | | | | | | | | R527 | |
| 528 | D0-24561001 | MCR01MZPF4701 | 1 | | | | | | | | R528 | |
| 530 | D0-24561001 | MCR01MZPF4701 | 1 | | | | | | | | R530 | |
| 531 | D0-24539001 | MCR01MZPF6800 | 1 | | | | | | | | R531 | |
| 532 | D0-24561001 | MCR01MZPF4701 | 1 | | | | | | | | R532 | |
| 533 | D0-24539001 | MCR01MZPF6800 | 1 | | | | | | | | R533 | |
| 534 | D0-24559001 | MCR01MZPF1002 | 1 | | | | | | | | R534 | |
| 535 | D0-24561001 | MCR01MZPF4701 | 1 | | | | | | | | R535 | |
| 536 | D0-24565001 | MCR01MZPF1001 | 1 | | | | | | | | R536 | |
| 537 | D0-24547001 | MCR01MZPF3301 | 1 | | | | | | | | R537 | |
| 538 | D0-24558001 | MCR01MZPF2201 | 1 | | | | | | | | R538 | |

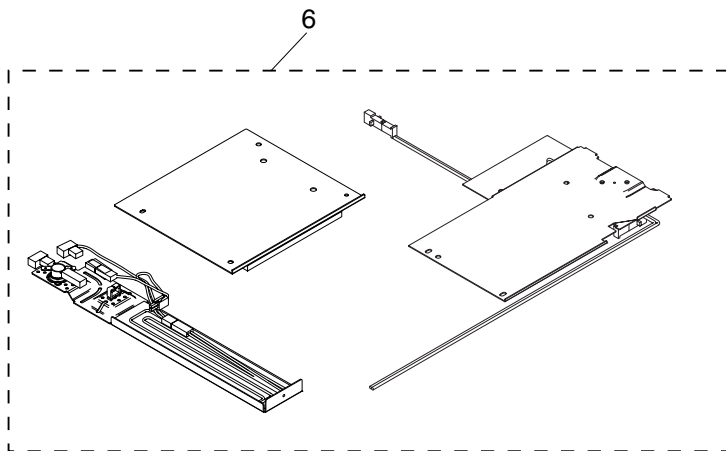
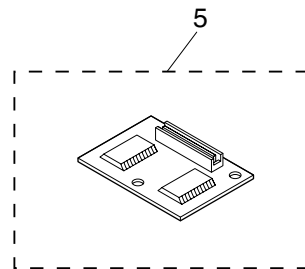
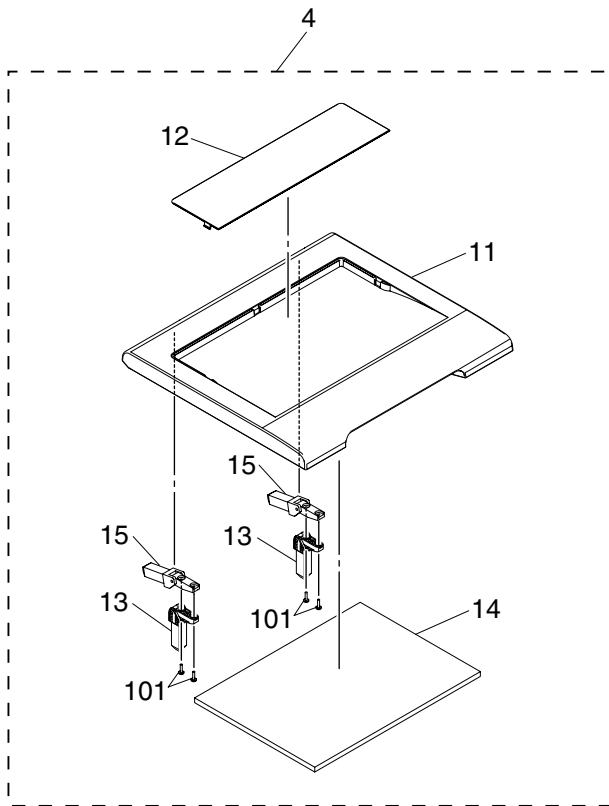
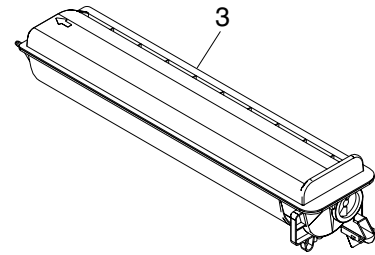
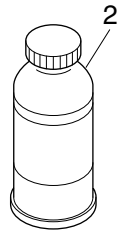
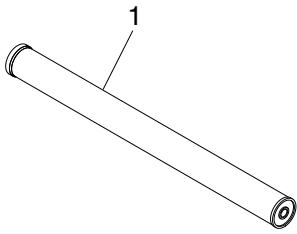
| ITEM No. | PART No. | PART NAME | Q'TY / PAGE | Q'TY / PACK | P | I | R | BSI No. | TO | FROM | REMARKS | |
|----------|-------------|---------------------------|-------------|-------------|---|---|---|---------|----|------|----------|--|
| | | | | | | | | | | | Location | |
| 539 | D0-24551001 | MCR01MZPJ223 | 1 | | | | | | | | R539 | |
| 540 | D0-24551001 | MCR01MZPJ223 | 1 | | | | | | | | R540 | |
| 541 | D0-24541001 | MCR01MZPF1501 | 1 | | | | | | | | R541 | |
| 542 | D0-19690001 | MCR100JZHJ391 | 1 | | | | | | | | R542 | |
| 543 | D0-19690001 | MCR100JZHJ391 | 1 | | | | | | | | R543 | |
| 544 | D0-19690001 | MCR100JZHJ391 | 1 | | | | | | | | R544 | |
| 545 | D0-19690001 | MCR100JZHJ391 | 1 | | | | | | | | R545 | |
| 546 | D0-24551001 | MCR01MZPJ223 | 1 | | | | | | | | R546 | |
| 547 | D0-24551001 | MCR01MZPJ223 | 1 | | | | | | | | R547 | |
| 548 | D0-24551001 | MCR01MZPJ223 | 1 | | | | | | | | R548 | |
| 549 | D0-24551001 | MCR01MZPJ223 | 1 | | | | | | | | R549 | |
| 550 | D0-24551001 | MCR01MZPJ223 | 1 | | | | | | | | R550 | |
| 551 | D0-24551001 | MCR01MZPJ223 | 1 | | | | | | | | R551 | |
| 552 | D0-24551001 | MCR01MZPJ223 | 1 | | | | | | | | R552 | |
| 553 | D0-24553001 | MCR01MZPJ103 | 1 | 5/P | | | | | | | R553 | |
| 554 | D0-24553001 | MCR01MZPJ103 | 1 | 5/P | | | | | | | R554 | |
| 555 | D0-24551001 | MCR01MZPJ223 | 1 | | | | | | | | R555 | |
| 556 | D0-24551001 | MCR01MZPJ223 | 1 | | | | | | | | R556 | |
| 559 | D0-24563001 | MCR01MZPJ101 | 1 | 5/P | | | | | | | R559 | |
| 560 | D0-24563001 | MCR01MZPJ101 | 1 | 5/P | | | | | | | R560 | |
| 561 | D0-24667001 | MCR01MZPJ330 | 1 | | | | | | | | R561 | |
| 562 | D0-24545001 | MCR01MZPJ470 | 1 | | | | | | | | R562 | |
| 563 | D0-24551001 | MCR01MZPJ223 | 1 | | | | | | | | R563 | |
| 564 | D0-24554001 | MCR01MZPJ102 | 1 | | | | | | | | R564 | |
| 565 | D0-24554001 | MCR01MZPJ102 | 1 | | | | | | | | R565 | |
| 566 | D0-24562001 | MCR01MZPJ681 | 1 | | | | | | | | R566 | |
| 567 | D0-24551001 | MCR01MZPJ223 | 1 | | | | | | | | R567 | |
| 568 | D0-24563001 | MCR01MZPJ101 | 1 | 5/P | | | | | | | R568 | |
| 569 | D0-24553001 | MCR01MZPJ103 | 1 | 5/P | | | | | | | R569 | |
| 574 | D0-24553001 | MCR01MZPJ103 | 1 | 5/P | | | | | | | R574 | |
| 575 | D0-24546001 | MCR01MZPJ222 | 1 | | | | | | | | R575 | |
| 580 | D0-24541001 | MCR01MZPF1501 | 1 | | | | | | | | R580 | |
| 581 | D0-24565001 | MCR01MZPF1001 | 1 | | | | | | | | R581 | |
| 582 | D0-24565001 | MCR01MZPF1001 | 1 | | | | | | | | R582 | |
| 583 | D0-24565001 | MCR01MZPF1001 | 1 | | | | | | | | R583 | |
| 601 | E0-08413000 | DHB-PB50-S131N-FA | 1 | 1/P | | | | | | | CN1 | |
| 602 | E0-09620001 | 50RF-JMCS-G-1B-TF(N)(LFSN | 1 | | | | | | | | CN2 | |
| 603 | E0-08349000 | B20B-XADSS-N-A (LF) | 1 | | | | | | | | CN3 | |
| 604 | E0-07118000 | B15B-CZHK-B-1 (LF)(V) | 1 | | | | | | | | CN4 | |
| 606 | E0-07368002 | 20FMN-BMTTN-A-TF (LF)(SN) | 1 | | | | | | | | CN6 | |
| 607 | E0-07119000 | B16B-CZHK-B-1 (LF)(V) | 1 | 5/P | | | | | | | CN7 | |
| 609 | E0-07141000 | UBB-4R-D14C (LF) | 1 | 5/P | | | | | | | CN9 | |
| 611 | E0-09654001 | 24 5077 050 110 861+ | 1 | | | | | | | | CN11 | |
| 612 | E0-07120000 | B17B-CZHK-B-1 (LF)(V) | 1 | | | | | | | | CN12 | |
| 614 | E0-07109000 | B06B-CZHK-B-1 (LF)(V) | 1 | 5/P | | | | | | | CN14 | |
| 616 | E0-06771000 | B24B-CZWHK-B-1 (LF) | 1 | 5/P | | | | | | | CN16 | |
| 617 | E0-07114000 | B11B-CZHK-B-1 (LF)(V) | 1 | | | | | | | | CN17 | |
| 618 | E0-07214000 | B06B-XASK-1 (LF) | 1 | 5/P | | | | | | | CN18 | |
| 619 | E0-06582000 | B16B-PHDSS (LF) | 1 | | | | | | | | CN19 | |
| 620 | E0-06790000 | B5B-PH-K-S (LF) | 1 | 5/P | | | | | | | CN20 | |
| 621 | E0-06884000 | 292207-3 | 1 | 5/P | | | | | | | CN21 | |
| 622 | E0-08580001 | 00 6208 518 310 000+ | 1 | 5/P | | | | | | | CN22 | |
| 623 | E0-07113000 | B10B-CZHK-B-1(LF) | 1 | 5/P | | | | | | | CN23 | |
| 624 | E0-07108000 | B05B-CZHK-B-1 (LF)(V) | 1 | | | | | | | | CN24 | |
| 625 | E0-09627000 | B20B-PNDZS-1(T)(LF)(SN) | 1 | | | | | | | | CN25 | |
| 626 | E0-06773000 | B28B-CZWHK-B-1 (LF) | 1 | 5/P | | | | | | | CN26 | |
| 627 | E0-08566000 | DHB-RD50-S13NN-4.9-FA | 1 | 1/P | | | | | | | CN27 | |
| 628 | E0-08571000 | DHB-RD80-S13NN-4.9-FA | 1 | | | | | | | | CN28 | |
| 629 | E0-07108000 | B05B-CZHK-B-1 (LF)(V) | 1 | | | | | | | | CN29 | |
| 631 | E0-07115000 | B12B-CZHK-B-1 (LF)(V) | 1 | | | | | | | | CN31 | |
| | | | | | | | | | | | | |

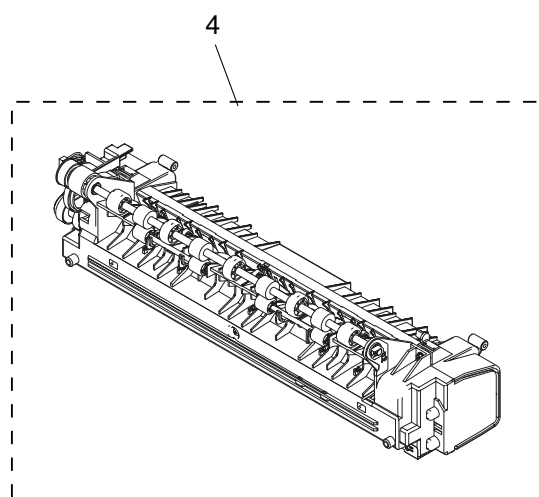
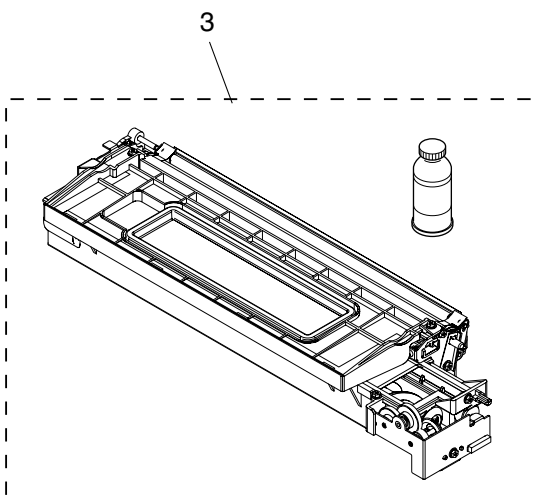
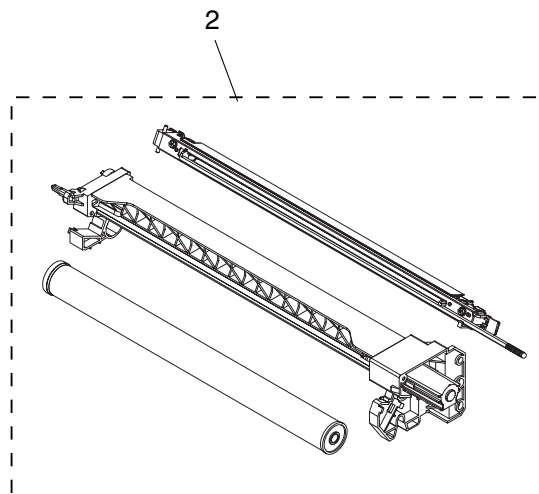
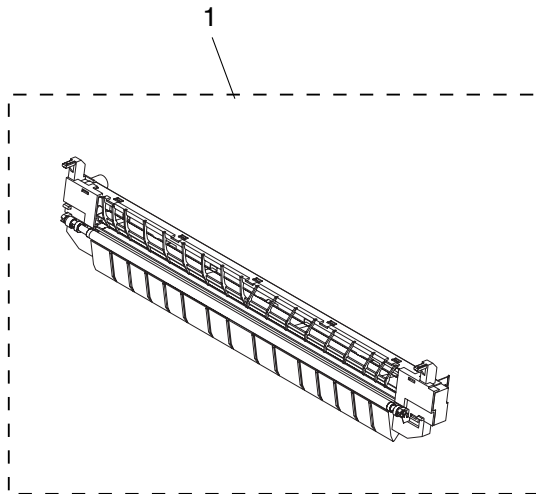
| ITEM No. | PART No. | PART NAME | Q'TY / PAGE | Q'TY / PACK | P | I | R | BSI No. | TO | FROM | REMARKS | |
|----------|-------------|---------------------------|-------------|-------------|---|---|---|---------|----|------|----------|--|
| | | | | | | | | | | | Location | |
| 1 | E0-07286000 | RXEF030 | 1 | 5/P | | | | | | | F1 | |
| 2 | E0-07269001 | MINISMDC100F-2 | 1 | | | | | | | | F2 | |
| 11 | D0-23846001 | SG-8002JC-20M-PCBL | 1 | 5/S | | | | | | | X1 | |
| 12 | D0-25461001 | SG-8002JC-33.6995M-PCBL | 1 | | | | | | | | X2 | |
| 13 | D0-25887001 | OSC523500HIS-24MHZ-3.3-TR | 1 | | | | | | | | X3 | |
| 51 | D0-05478001 | NFE61PT472C1H9L | 1 | 5/P | | | | | | | NF301 | |
| 103 | D0-20229001 | MNR04M0ABJ103 | 1 | 5/P | | | | | | | RA3 | |
| 104 | D0-20229001 | MNR04M0ABJ103 | 1 | 5/P | | | | | | | RA4 | |
| 105 | D0-20229001 | MNR04M0ABJ103 | 1 | 5/P | | | | | | | RA5 | |
| 106 | D0-20229001 | MNR04M0ABJ103 | 1 | 5/P | | | | | | | RA6 | |
| 110 | D0-20229001 | MNR04M0ABJ103 | 1 | 5/P | | | | | | | RA10 | |
| 111 | D0-20229001 | MNR04M0ABJ103 | 1 | 5/P | | | | | | | RA11 | |
| 112 | D0-20229001 | MNR04M0ABJ103 | 1 | 5/P | | | | | | | RA12 | |
| 113 | D0-20229001 | MNR04M0ABJ103 | 1 | 5/P | | | | | | | RA13 | |
| 114 | D0-20229001 | MNR04M0ABJ103 | 1 | 5/P | | | | | | | RA14 | |
| 115 | D0-20242001 | MNR04M0ABJ330 | 1 | 5/P | | | | | | | RA15 | |
| 116 | D0-20242001 | MNR04M0ABJ330 | 1 | 5/P | | | | | | | RA16 | |
| 117 | D0-20242001 | MNR04M0ABJ330 | 1 | 5/P | | | | | | | RA17 | |
| 118 | D0-20242001 | MNR04M0ABJ330 | 1 | 5/P | | | | | | | RA18 | |
| 119 | D0-20237001 | MNR04M0ABJ220 | 1 | 5/P | | | | | | | RA19 | |
| 120 | D0-20237001 | MNR04M0ABJ220 | 1 | 5/P | | | | | | | RA20 | |
| 121 | D0-20237001 | MNR04M0ABJ220 | 1 | 5/P | | | | | | | RA21 | |
| 122 | D0-20237001 | MNR04M0ABJ220 | 1 | 5/P | | | | | | | RA22 | |
| 123 | D0-20237001 | MNR04M0ABJ220 | 1 | 5/P | | | | | | | RA23 | |
| 124 | D0-20237001 | MNR04M0ABJ220 | 1 | 5/P | | | | | | | RA24 | |
| 125 | D0-20237001 | MNR04M0ABJ220 | 1 | 5/P | | | | | | | RA25 | |
| 126 | D0-20237001 | MNR04M0ABJ220 | 1 | 5/P | | | | | | | RA26 | |
| 127 | D0-20237001 | MNR04M0ABJ220 | 1 | 5/P | | | | | | | RA27 | |
| 401 | D0-20229001 | MNR04M0ABJ103 | 1 | 5/P | | | | | | | RA301 | |
| 402 | D0-20229001 | MNR04M0ABJ103 | 1 | 5/P | | | | | | | RA302 | |
| 403 | D0-20229001 | MNR04M0ABJ103 | 1 | 5/P | | | | | | | RA303 | |
| 404 | D0-20229001 | MNR04M0ABJ103 | 1 | 5/P | | | | | | | RA304 | |
| 405 | D0-20237001 | MNR04M0ABJ220 | 1 | 5/P | | | | | | | RA305 | |
| 406 | D0-20237001 | MNR04M0ABJ220 | 1 | 5/P | | | | | | | RA306 | |
| 409 | D0-20237001 | MNR04M0ABJ220 | 1 | 5/P | | | | | | | RA309 | |
| 412 | D0-20242001 | MNR04M0ABJ330 | 1 | 5/P | | | | | | | RA312 | |
| 413 | D0-20242001 | MNR04M0ABJ330 | 1 | 5/P | | | | | | | RA313 | |
| 414 | D0-20242001 | MNR04M0ABJ330 | 1 | 5/P | | | | | | | RA314 | |
| 415 | D0-20242001 | MNR04M0ABJ330 | 1 | 5/P | | | | | | | RA315 | |
| 418 | D0-20237001 | MNR04M0ABJ220 | 1 | 5/P | | | | | | | RA318 | |
| 419 | D0-20237001 | MNR04M0ABJ220 | 1 | 5/P | | | | | | | RA319 | |
| 420 | D0-20237001 | MNR04M0ABJ220 | 1 | 5/P | | | | | | | RA320 | |
| 421 | D0-20237001 | MNR04M0ABJ220 | 1 | 5/P | | | | | | | RA321 | |
| 423 | D0-20237001 | MNR04M0ABJ220 | 1 | 5/P | | | | | | | RA323 | |
| 424 | D0-20237001 | MNR04M0ABJ220 | 1 | 5/P | | | | | | | RA324 | |
| 425 | D0-20237001 | MNR04M0ABJ220 | 1 | 5/P | | | | | | | RA325 | |
| 426 | D0-20237001 | MNR04M0ABJ220 | 1 | 5/P | | | | | | | RA326 | |
| 427 | D0-20221001 | MNR04M0ABJ000 | 1 | | | | | | | | RA327 | |
| | | | | | | | | | | | | |
| | | | | | | | | | | | | |
| | | | | | | | | | | | | |

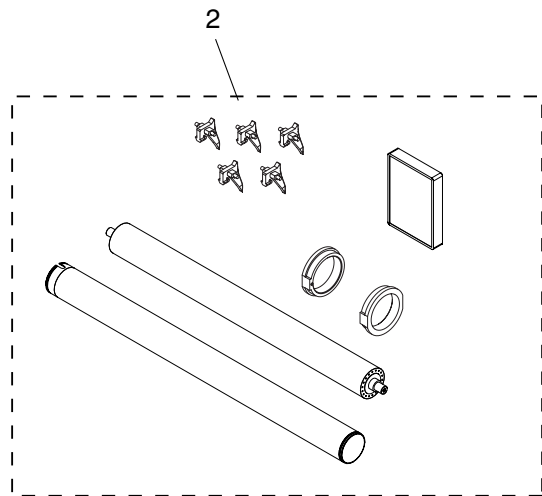
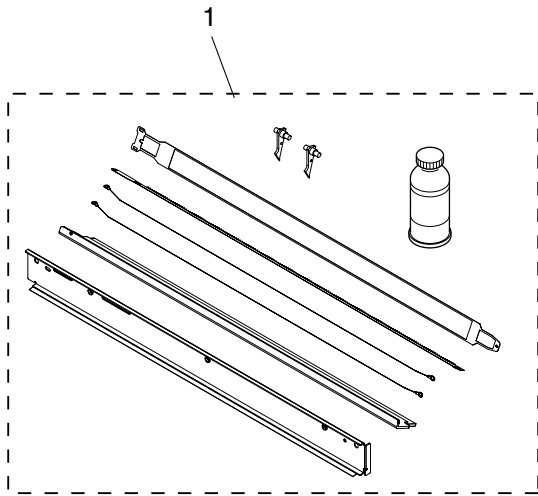


| ITEM No. | PART No. | PART NAME | Q'TY / PAGE | Q'TY / PACK | P | I | R | BSI No. | TO | FROM | REMARKS |
|----------|-------------|------------------|-------------|-------------|---|---|---|---------|----|------|------------------------------|
| 1 | 6LE65500000 | KEY-PLATE-280 | 1 | 1/P | | | | | | | |
| 2 | 4407915710 | BRUSH-33 | 1 | 1/P | | | | | | | |
| 3 | 4402048100 | ASM-JIG-DOC-180 | 1 | 1/P | | | | | | | |
| 4 | 4407914000 | NOZZLE-BOTTLE | 1 | 1/P | | | | | | | |
| 5 | 6LA01757000 | HOLDER-WIRE-SCAN | 2 | 1/P | | | | | | | |
| 6 | 6LE60640000 | SPRING-MTR | 1 | 1/P | | | | | | | |
| 7 | 6LA91605000 | ASY-PU-TOOL-F371 | 1 | 1/C | | | | | | | High-Voltage measurement jig |
| 10 | 4407933080 | ASM-SILICONE-1M | 1 | 1/P | | | | | | | Silicon Oil |
| 11 | 4842512170 | OIL-LAUNA40-100 | 1 | 1/P | | | | | | | LAUNA40 100cc |
| 12 A | 41303709000 | ASM-PG-HP300-S | 1 | 1/D | | | | | | | White grease 100g |
| 12 B | 6LA00019000 | GREASE-HP300-S | 1 | 1/P | | | | | | | White grease 10g |
| 13 | 41303711000 | ASM-PG-ALV2 | 1 | 1/P | | | | | | | Alvania No.2 |
| 14 | 4400545160 | MOLYKOTE-100 | 1 | 1/C | | | | | | | |
| 15 | 41303710000 | ASM-PG-GE334C-S | 1 | 1/C | | | | | | | |
| | | | | | | | | | | | |
| | | | | | | | | | | | |
| | | | | | | | | | | | |
| | | | | | | | | | | | |
| | | | | | | | | | | | |
| | | | | | | | | | | | |
| | | | | | | | | | | | |
| | | | | | | | | | | | |
| | | | | | | | | | | | |
| | | | | | | | | | | | |
| | | | | | | | | | | | |
| | | | | | | | | | | | |
| | | | | | | | | | | | |
| | | | | | | | | | | | |
| | | | | | | | | | | | |
| | | | | | | | | | | | |
| | | | | | | | | | | | |









TOSHIBA

TOSHIBA TEC CORPORATION

2-17-2, HIGASHIGOTANDA, SHINAGAWA-KU, TOKYO, 141-8664, JAPAN