

**TOSHIBA**

# **SERVICE PARTS LIST**

**DIGITAL MULTIFUNCTIONAL SYSTEM**

# **e-STUDIO1058/1208**

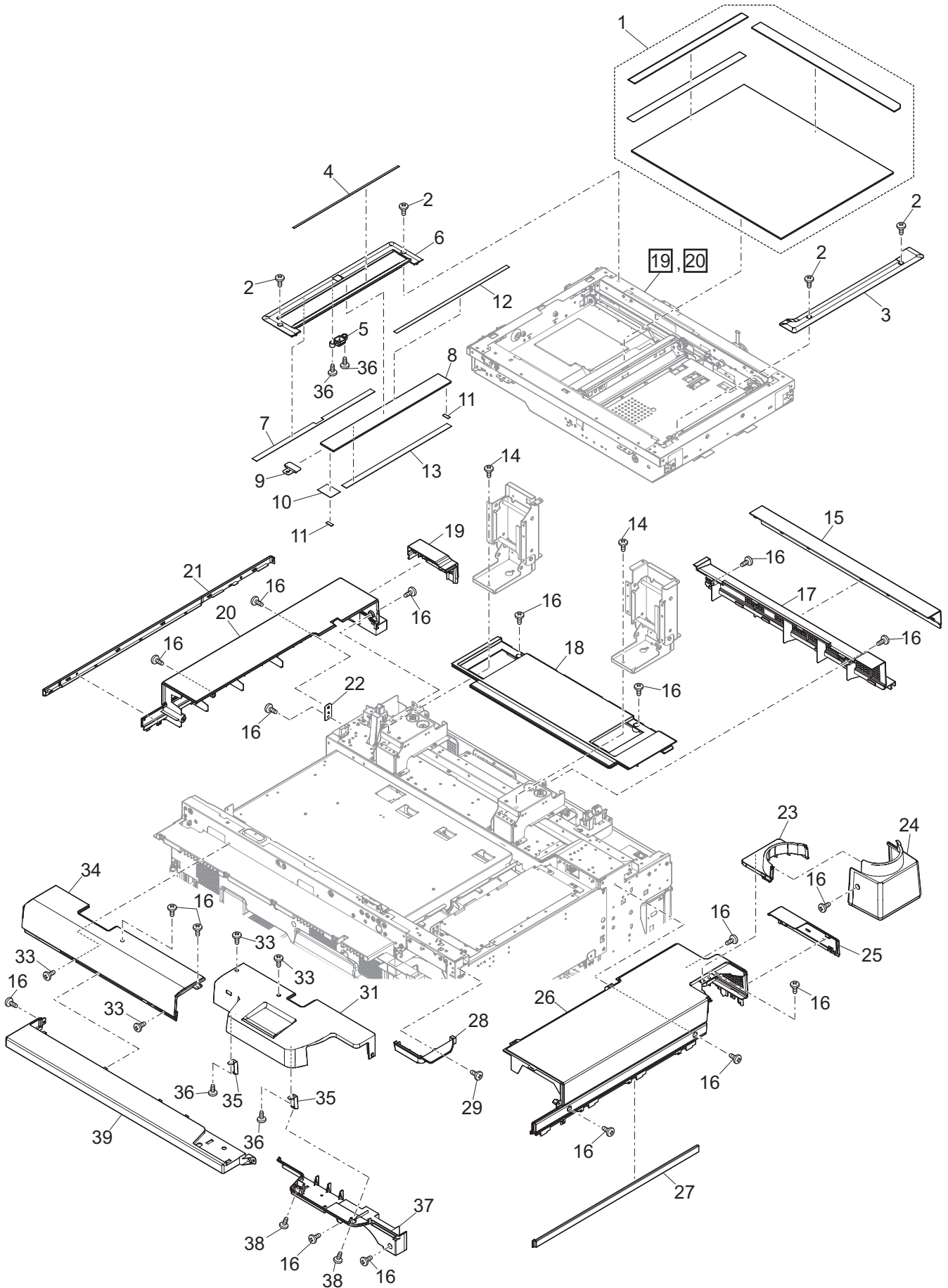
© 2020 Toshiba Tec Corporation All rights reserved

Under the copyright laws, this manual cannot be reproduced in any form without prior written permission of Toshiba Tec Corporation. No patent liability is assumed, however, with respect to the use of the information contained herein.

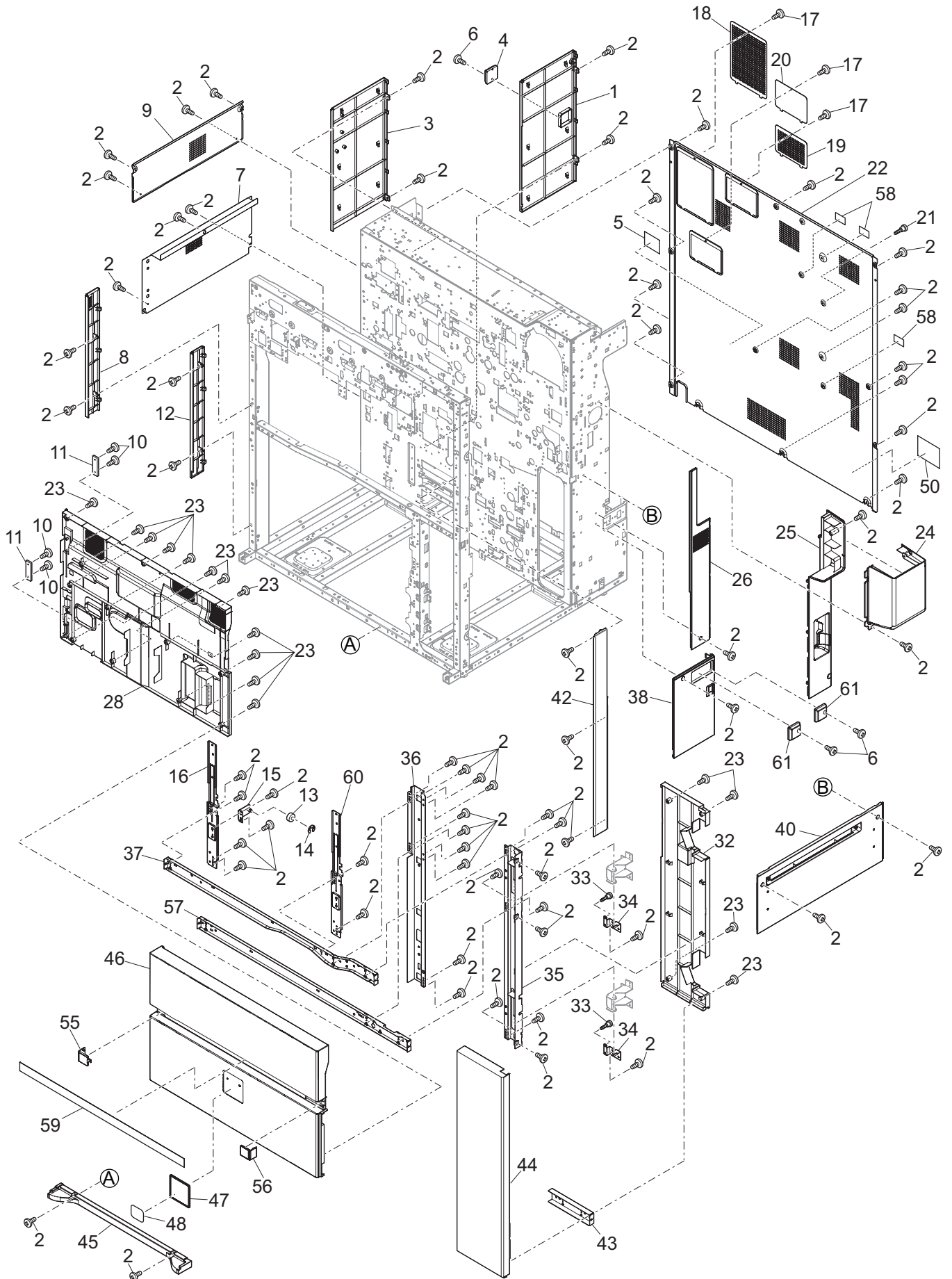
# CONTENTS

Exteriors 1 .....	1	Toner tray .....	41
Exteriors 2 .....	2	Toner hopper unit .....	42
Operation unit.....	3	DV unit 1 .....	43
Operation panel arm section .....	4	DV unit 2 .....	44
Keyboard section .....	5	Transfer unit 1 .....	45
DSPF exteriors .....	6	Transfer unit 2 .....	46
DSPF paper feed tray unit.....	7	Transfer unit 3 .....	47
DSPF paper feed unit.....	8	Fusing unit 1.....	48
DSPF separate unit.....	9	Fusing unit 2.....	49
DSPF upper door unit .....	10	Fusing unit 3.....	50
DSPF double feed detect unit .....	11	Fusing unit 4.....	51
DSPF upper transport unit .....	12	ADU delivery unit 1 .....	52
DSPF lower transport unit 1 .....	13	ADU delivery unit 2 .....	53
DSPF lower transport unit 2 .....	14	ADU delivery unit 3 .....	54
DSPF scanner unit.....	15	ADU delivery unit 4 .....	55
DSPF drive unit .....	16	ADU delivery unit 5 .....	56
DSPF PWB section .....	17	ADU delivery unit 6 .....	57
DSPF frame section .....	18	ADU delivery unit 7 .....	58
Scanner unit 1 .....	19	Tandem drive unit 1 .....	59
Scanner unit 2 .....	20	Tandem drive unit 2 .....	60
1st/2nd paper feed tray 1 .....	21	Multiple steps drive unit.....	61
1st/2nd paper feed tray 2 .....	22	Transport drive unit 1 .....	62
1st/2nd paper feed tray 3 .....	23	Transport drive unit 2 .....	63
1st/2nd paper feed tray 4 .....	24	Drum drive unit 1.....	64
3rd/4th paper feed tray .....	25	Drum drive unit 2.....	65
3rd/4th paper feed unit 1 .....	26	Waste toner drive unit .....	66
3rd/4th paper feed unit 2 .....	27	Fusing drive unit.....	67
Vertical transport unit .....	28	Decurler drive unit.....	68
Interface pass unit.....	29	Control PWB section .....	69
Vertical transport door unit .....	30	Power supply section .....	70
Upper transport unit .....	31	Middle frame section 1 .....	71
LCC interface transport unit .....	32	Middle frame section 2 .....	72
Resist roller unit 1 .....	33	Front frame section .....	73
Resist roller unit 2 .....	34	Rear frame section 1 .....	74
LSU section.....	35	Rear frame section 2.....	75
Process unit 1 .....	36	Rear frame section 3.....	76
Process unit 2 .....	37	Frame section 1 .....	77
Process unit 3 .....	38	Frame section 2 .....	78
Process unit 4 .....	39	Wiring section.....	79
MC unit.....	40	Wire saddle, Core .....	80

PM-KIT .....101  
SUPPLY .....102  
JIGS & GREASE.....103  
SERVICE.....104  
INSTRATION\_PARTS\_FOR\_IC\_CARD  
READER .....105

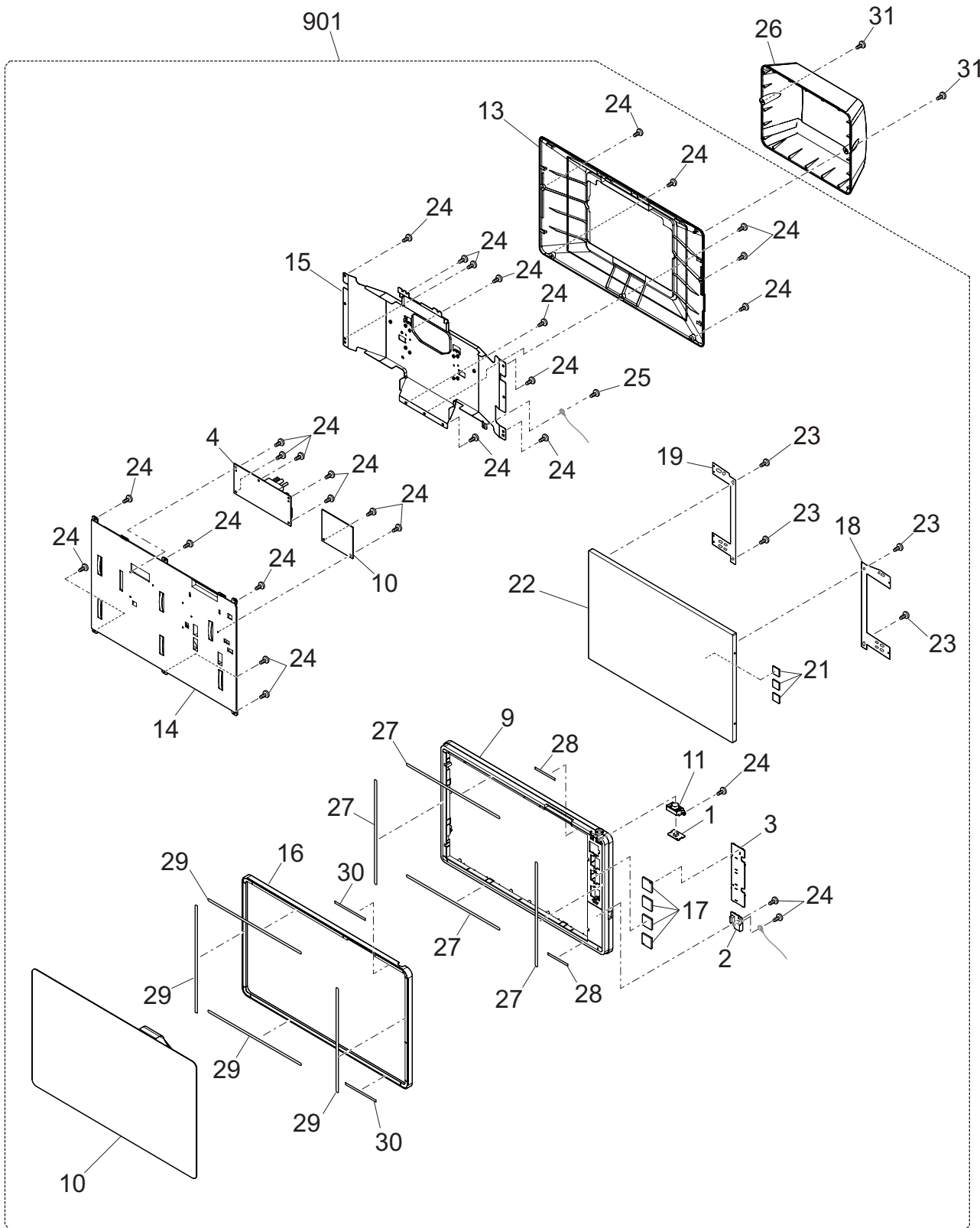


ITEM No.	PART No.	PART NAME	Q'TY / PAGE	Q'TY / PACK	REMARKS
1	6LS02985000	Table glass			
2	6LS06203000	Screw			
3	6LS03525000	Glass fixer right			
4	6LS05829000	SPF glass fixing sheet R			
5	6LS05333000	Sensor cap			
6	6LS03524000	Glass fixer left			
7	6LS05885000	SPF glass fixing sheet L			
8	6LS05645000	SPF glass			
9	6LS06031000	SPF glass earth plate			
10	6LS05828000	White revision sheet			
11	6LS05650000	Table glass gum			
12	6LS05835000	Shading sheet			
13	6LS05859000	Back side shading sheet			
14	6LS06205000	Screw			
15	6LS03423000	Upper cabinet rear cover lower			
16	6LA58794800	Screw			
17	6LS06425000	Upper cabinet rear cover upper			
18	6LS06418000	Upper cabinet rear			
19	6LS03393000	Upper cabinet left rear			
20	6LS06424000	Upper cabinet left upper			
21	6LS06498000	Upper cabinet left lower			
22	6LS04007000	Upper cabinet left fixing plate			
23	6LS06692000	Arm cover upper left			
24	6LS06693000	Arm cover upper			
25	6LS06694000	Upper cabinet right rear			
26	6LS06695000	Upper cabinet right upper			
27	6LS06426000	Upper cabinet right lower			
28	6LS03415000	Hinge fixing cabinet			
29	6LA58794400	Screw			
31	6LS06696000	Upper cabinet front right			
33	6LA58792100	Screw			
34	6LS06697000	Upper cabinet front			
35	6LS04083000	Upper cabinet right joint plate			
36	6LA58793200	Screw			
37	6LS03438000	Upper cabinet front cover right			
38	6LS06184000	Screw			
39	6LS03433000	Upper cabinet front cover left			

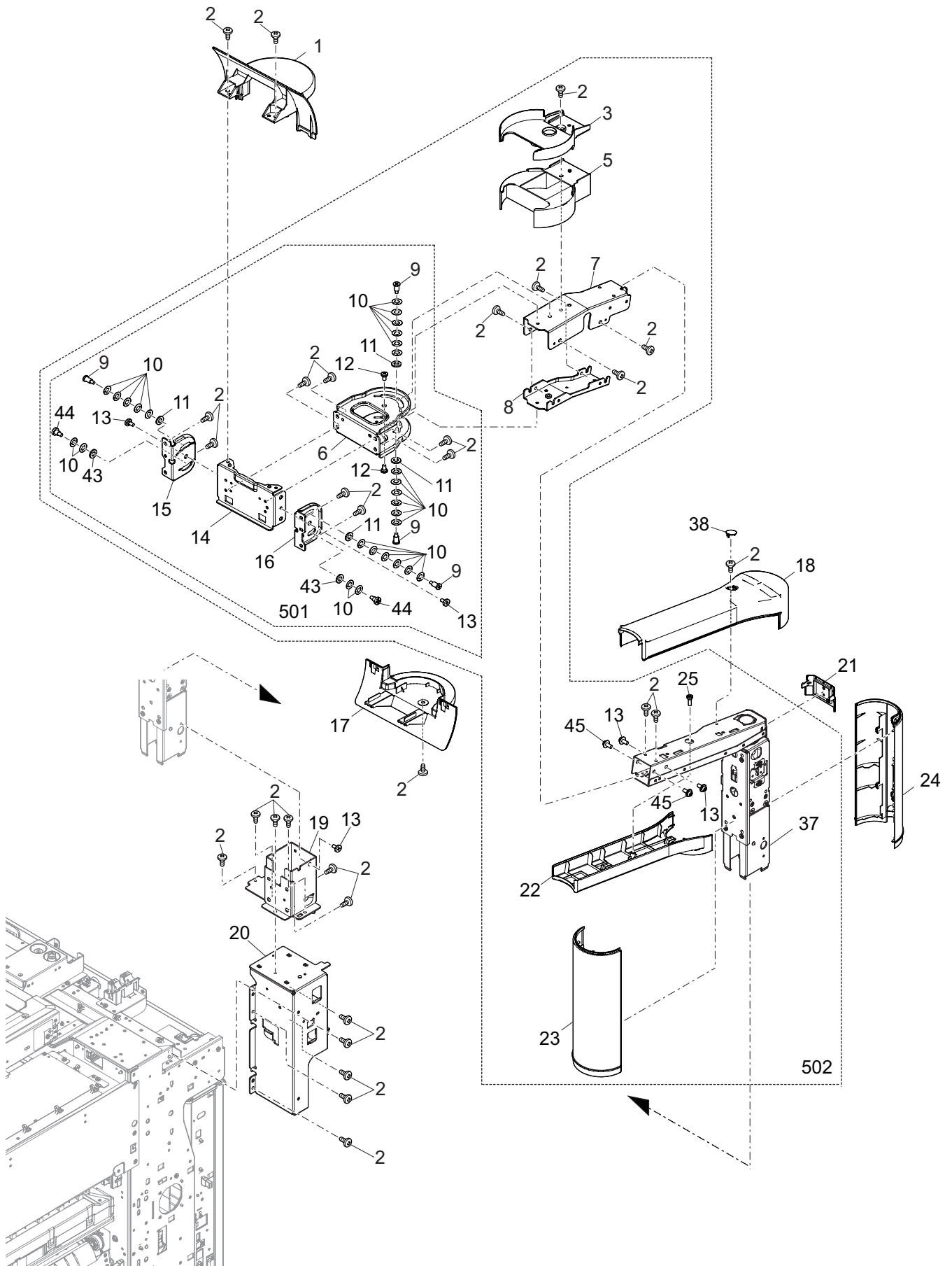


ITEM No.	PART No.	PART NAME	Q'TY / PAGE	Q'TY / PACK	REMARKS
1	6LS06497000	Left cabinet rear upper			
2	6LA58794800	Screw			
3	6LS06419000	Left cabinet rear lower			
4	6LS05506000	Connector cover B			
5	6LS10367000	Service caution label			
6	6LA58794400	Screw			
7	6LS03365000	Left middle cabinet			
8	6LS06495000	Left cabinet front upper			
9	6LS03364000	Left upper cabinet			
10	6LA58793200	Screw			
11	6LS03752000	Magnet catch plate			
12	6LS06496000	Left cabinet front lower			
13	6LS04989000	Cassette guide collar			
14	6LA58721100	E type ring			
15	6LS02882000	Front cabinet guide angle			
16	6LS04005000	Front cabinet left reinforce plate left			
17	6LA58792100	Screw			
18	6LS03424000	Exhaust filter cover			
19	6LS03425000	Ozone filter cover			
20	6LS03444000	Rear cabinet cover			
21	6LS04288000	Screw			
22	6LS06485000	Rear cabinet			
23	6LA58793800	Screw			
24	6LS06698000	Arm cover lower			
25	6LS06699000	Right cabinet rear upper			
26	6LS06700000	Right cabinet rear center			
28	6LS06421000	Front cabinet cover			
32	6LS03429000	Front cabinet right cover			
33	6LS04293000	Step screw			
34	6LS04183000	Front cabinet stopper			
35	6LS03063000	Front cabinet right reinforce plate right			
36	6LS04006000	Front cabinet right reinforce plate left			
37	6LS04004000	Front cabinet left reinforce plate upper			
38	6LS06417000	Right cabinet rear lower			
40	6LS06416000	Right cabinet middle			
42	6LS03387000	Right cabinet front			
43	6LS03984000	Front cabinet right reinforce plate lower			
44	6LS06422000	Front cabinet right			
45	6LS03432000	Adjuster cover			
46	6LS06420000	Front cabinet			
47 A	6LS06702000	Model name plate			e-STUDIO1058
47 B	6LS06701000	Model name plate			e-STUDIO1208
48 A	6LS06703000	Front cabinet badge			e-STUDIO1058
48 B	6LS06704000	Front cabinet badge			e-STUDIO1208
50	6LS06114000	Main body PW caution label			
55	6LS03398000	Decoration cover R			
56	6LS03414000	Makeup cover L			
57	6LS03985000	Front cabinet left reinforce plate upper			
58	6LS05796000	Rear cabinet label			
59	6LS05954000	Makeup sheet			
60	6LS06705000	Front cabinet left reinforce plate left			
61	6LS06659000	Connector cover B			

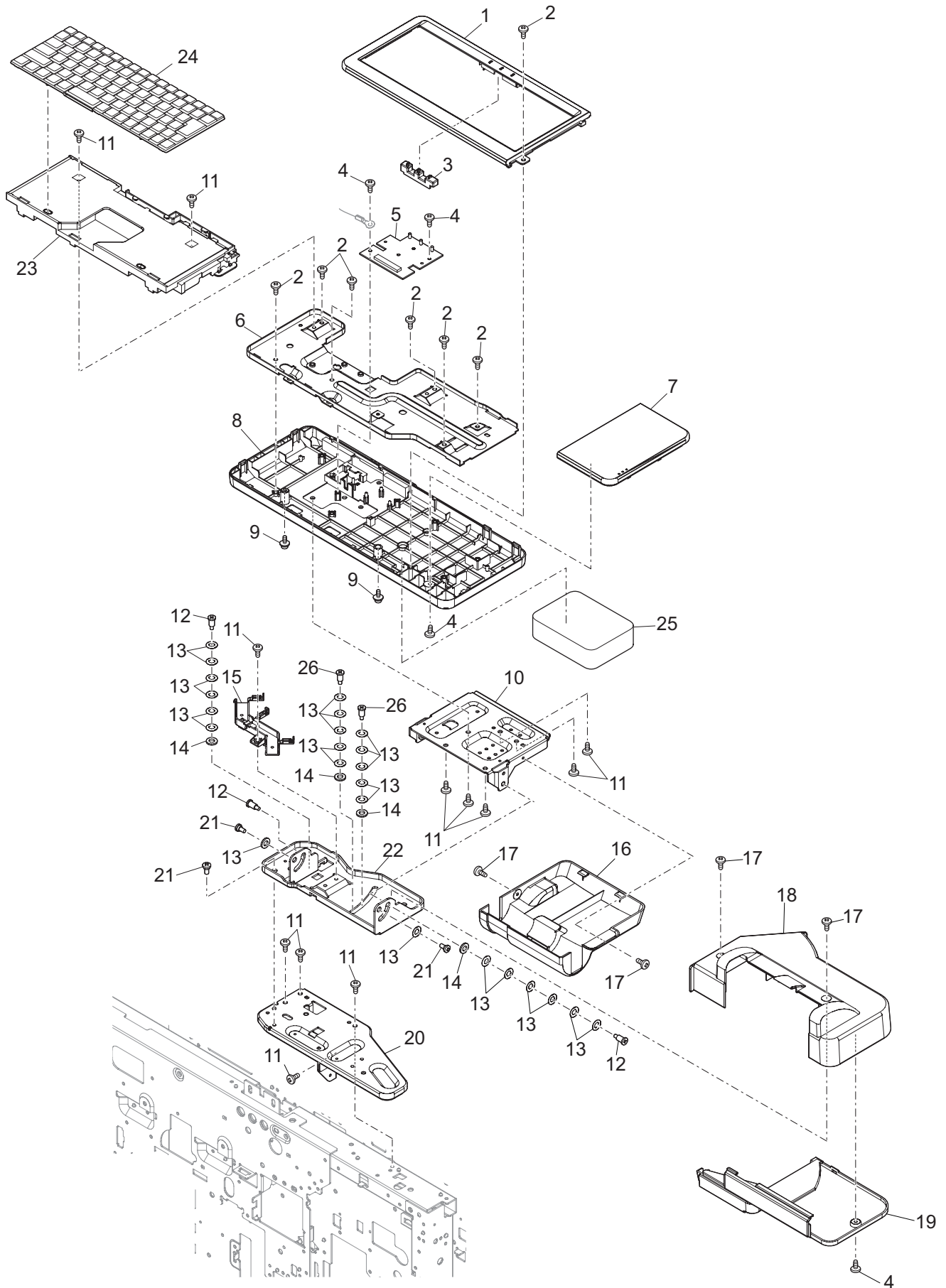




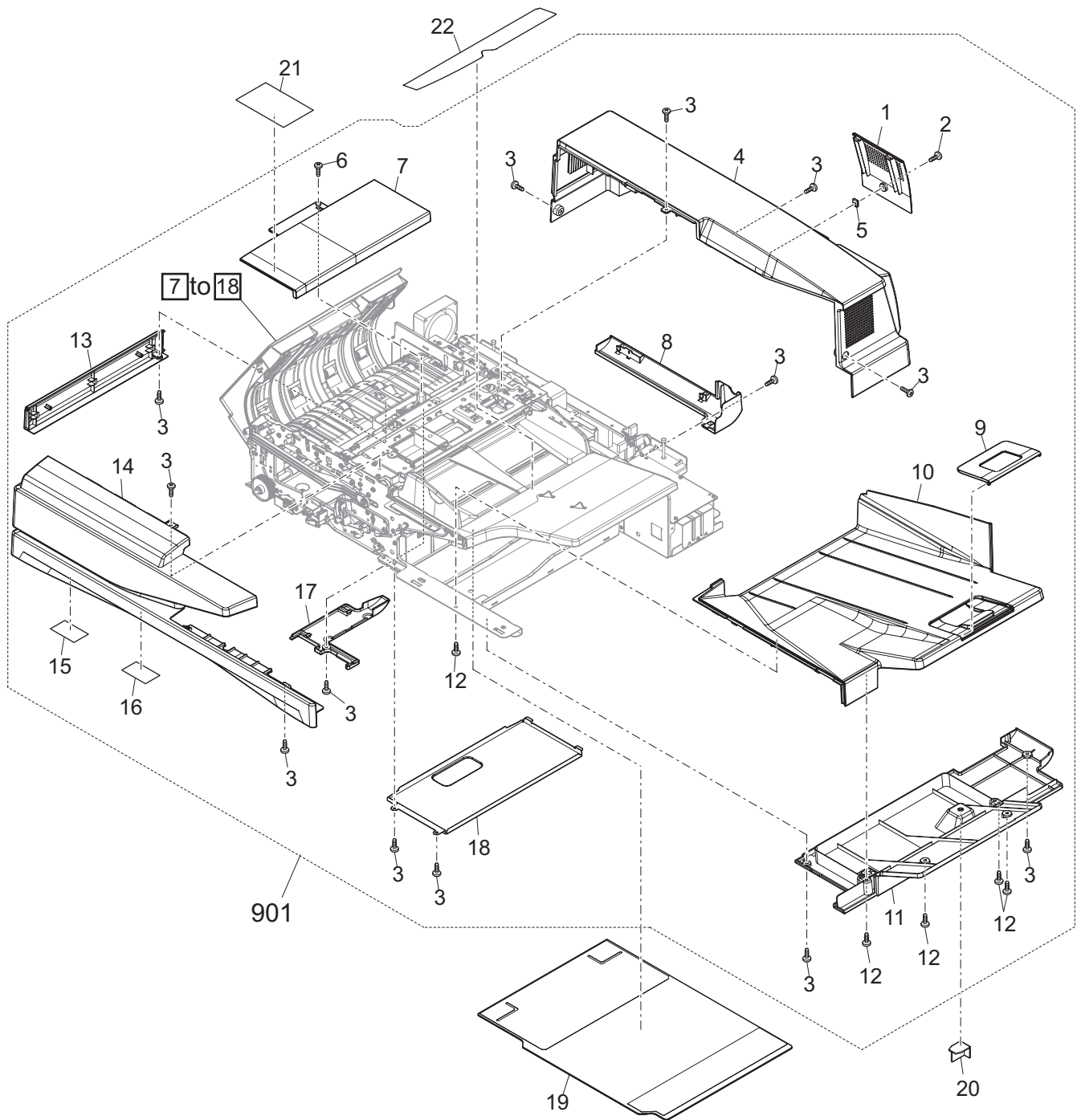
ITEM No.	PART No.	PART NAME	Q'TY / PAGE	Q'TY / PACK	REMARKS
1	6LS06706000	PW-KEY PWB			
2	6LS06707000	USB Connector PWB			
3	6LS06708000	HM-KEY PWB			
4	6LS06709000	LVDS PWB			
9	6LS06710000	Operation panel			
10	6LS06711000	Touch panel			
11	6LS06712000	Power switch			
13	6LS06713000	Operation base plate			
14	6LS06714000	LCD holder B			
15	6LS06715000	Panel fixing plate			
16	6LS06716000	Operation ring			
17	6LS06717000	Key filter			
18	6LS06718000	LCD earth sheet 1			
19	6LS06719000	LCD earth sheet 2			
21	6LS06720000	Sheet core			
22	6LS06721000	LCD			
23	6LA58792000	Screw			
24	6LA58793200	Screw			
25	6LA58794400	Screw			
26	6LS06722000	Arm cover A			
27	6LS06723000	Operation ring tape A			
28	6LS06724000	Operation ring tape B			
29	6LS06725000	Touch panel tape A			
30	6LS06726000	Touch panel tape B			
31	6LA58794800	Screw			
901	6LS06727000	Panel unit			



ITEM No.	PART No.	PART NAME	Q'TY / PAGE	Q'TY / PACK	REMARKS
1	6LS06728000	Arm cover B upper			
2	6LA58794800	Screw			
3	6LS06729000	Arm cover C upper			
5	6LS06730000	Arm cover C			
6	6LS06731000	Panel left/right rotation plate			
7	6LS06732000	Panel rotation fulcrum plate			
8	6LS06733000	Panel rotation fulcrum plate lower			
9	6LS04306000	Step screw			
10	6LS04391000	Plate spring			
11	6LS06734000	Brake rotation plate			
12	6LS04281000	Step screw			
13	6LS04293000	Step screw			
14	6LS06735000	Panel upper lower rotation fulcrum plate			
15	6LS06736000	Panel up/down rotation plate			
16	6LS06737000	Panel upper lower rotation plate R			
17	6LS06738000	Arm cover B			
18	6LS06739000	Arm cover upper			
19	6LS06740000	Panel support plate			
20	6LS06741000	Panel prop			
21	6LS06742000	Panel harness guide			
22	6LS06743000	Arm cover lower			
23	6LS06744000	Arm cover front			
24	6LS06745000	Arm cover rear			
25	6LS06746000	Fusing step screw			
37	6LS06747000	Arm rotation support plate			
38	6LS03419000	Screw cover			
43	6LS06253000	Washer			
44	6LS06748000	Step screw			
45	6LS06749000	Screw			
501	6LS06750000	Panel fulcrum plate unit			
502	6LS06751000	Operation panel arm unit			

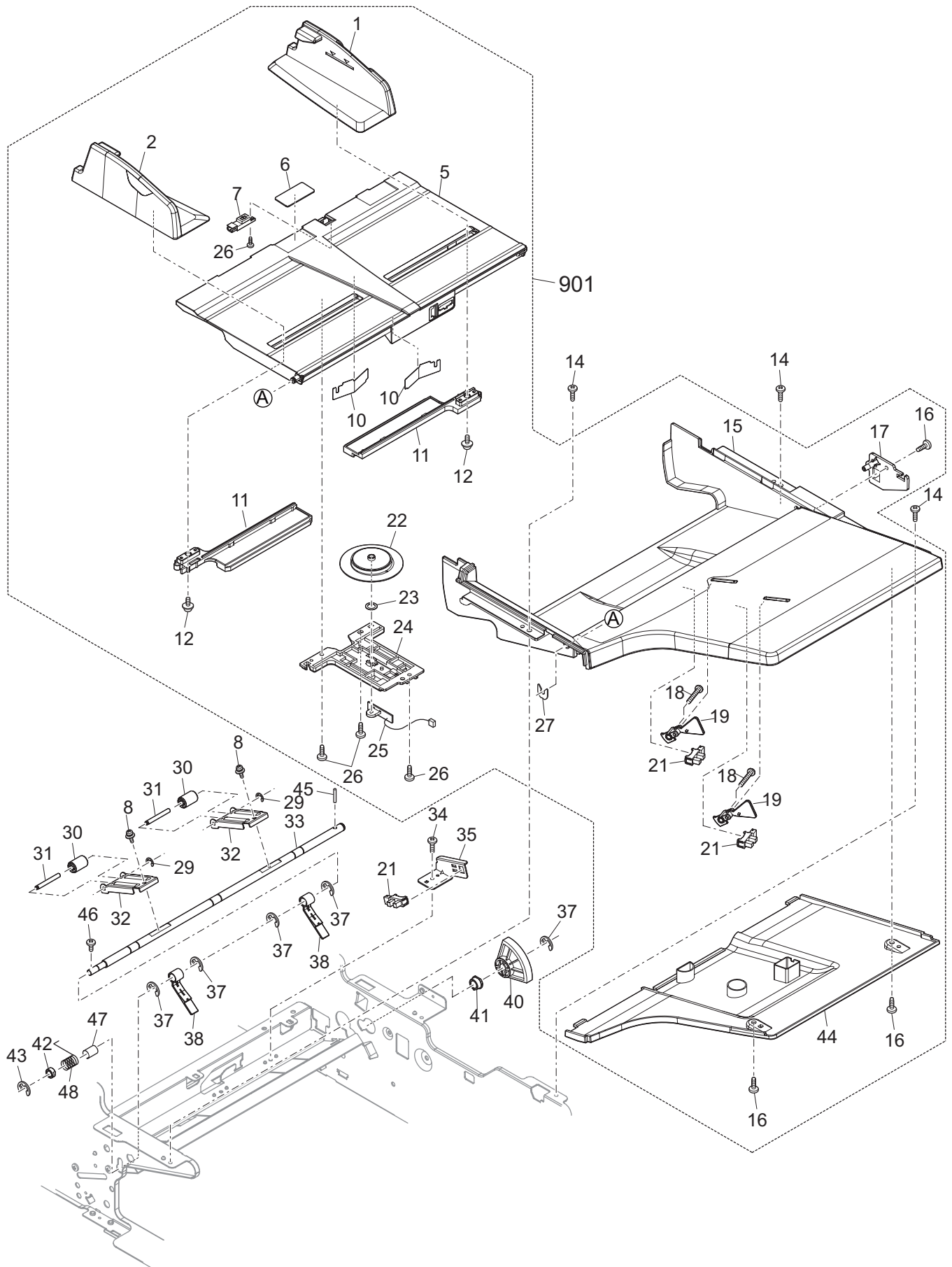


ITEM No.	PART No.	PART NAME	Q'TY / PAGE	Q'TY / PACK	REMARKS
1	6LS06752000	Keyboard cover			
2	6LS06210000	Screw			
3	6LS06753000	Keyboard LED lens			
4	6LA58793200	Screw			
5	6LS06754000	USB converter PWB			
6	6LS06755000	Keyboard base plate			
7	6LS06756000	Keyboard right cover			
8	6LS06757000	Keyboard base			
9	6LS06758000	Screw			
10	6LS04244000	Panel rotation support plate upper			
11	6LA58794800	Screw			
12	6LS04306000	Step screw			
13	6LS04391000	Plate spring			
14	6LS06253000	Washer			
15	6LS03715000	Panel harness holder			
16	6LS06759000	Panel cover A			
17	6LA58794400	Screw			
18	6LS05480000	Panel cover B			
19	6LS03439000	Hinge cover			
20	6LS03150000	Panel support plate lower			
21	6LS04281000	Step screw			
22	6LS03151000	Panel rotation support plate lower			
23	6LS06760000	Keyboard tray			
24	6LS06761000	Keyboard			
25	6LS06762000	Keyboard cushion			
26	6LS04311000	Step screw			

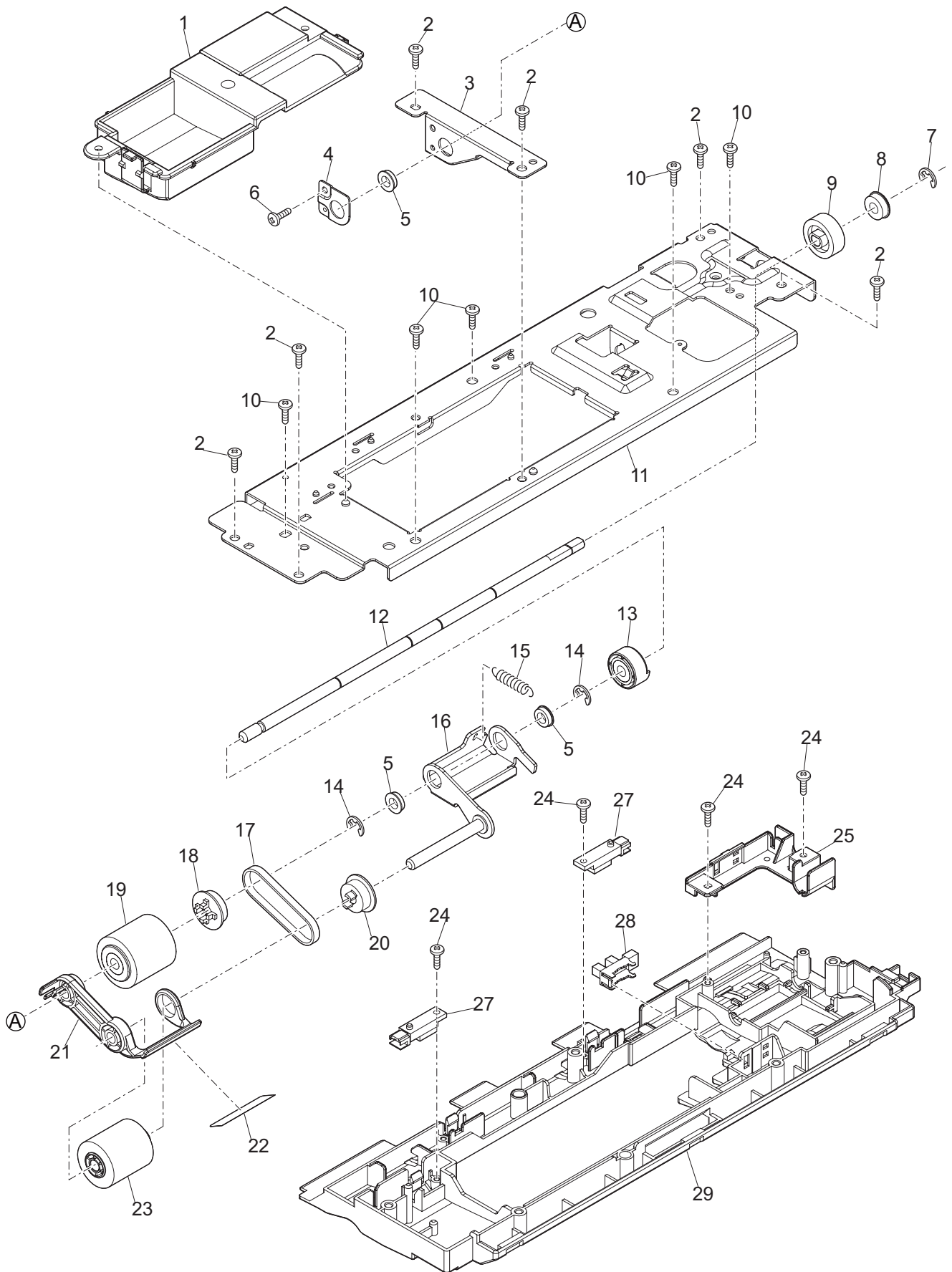


ITEM No.	PART No.	PART NAME	Q'TY / PAGE	Q'TY / PACK	REMARKS
1	6LS03426000	DSPF ROM cover			
2	6LS06235000	Screw			
3	6LA58794800	Screw			
4	6LS03367000	Rear cabinet upper			
5	6LS04377000	Speed nut			
6	6LA58792100	Screw			
7	6LS03373000	Paper feed cabinet			
8	6LS03368000	Rear cabinet lower			
9	6LS06434000	Paper feed tray S			
10	6LS04171000	DSPF delivery tray			
11	6LS03369000	Right lower cabinet			
12	6LA58793700	Screw			
13	6LS03371000	PS cabinet			
14	6LS03366000	Front cabinet			
15	6LS06116000	Lower door open/close label L			
16	6LS06117000	Lower door open/close label R			
17	6LS03370000	Left rear lower cabinet			
18	6LS05538000	Delivery lower paper guide cover			
19	6LS05934000	OC mat			
20	6LS06323000	SPF glass cleaner			
21	6LS06115000	Original read label			
22	6LS06135000	Original size label			
901 A	6LS06763000	DSPF			e-STUDIO1058
901 B	6LS06764000	DSPF			e-STUDIO1208

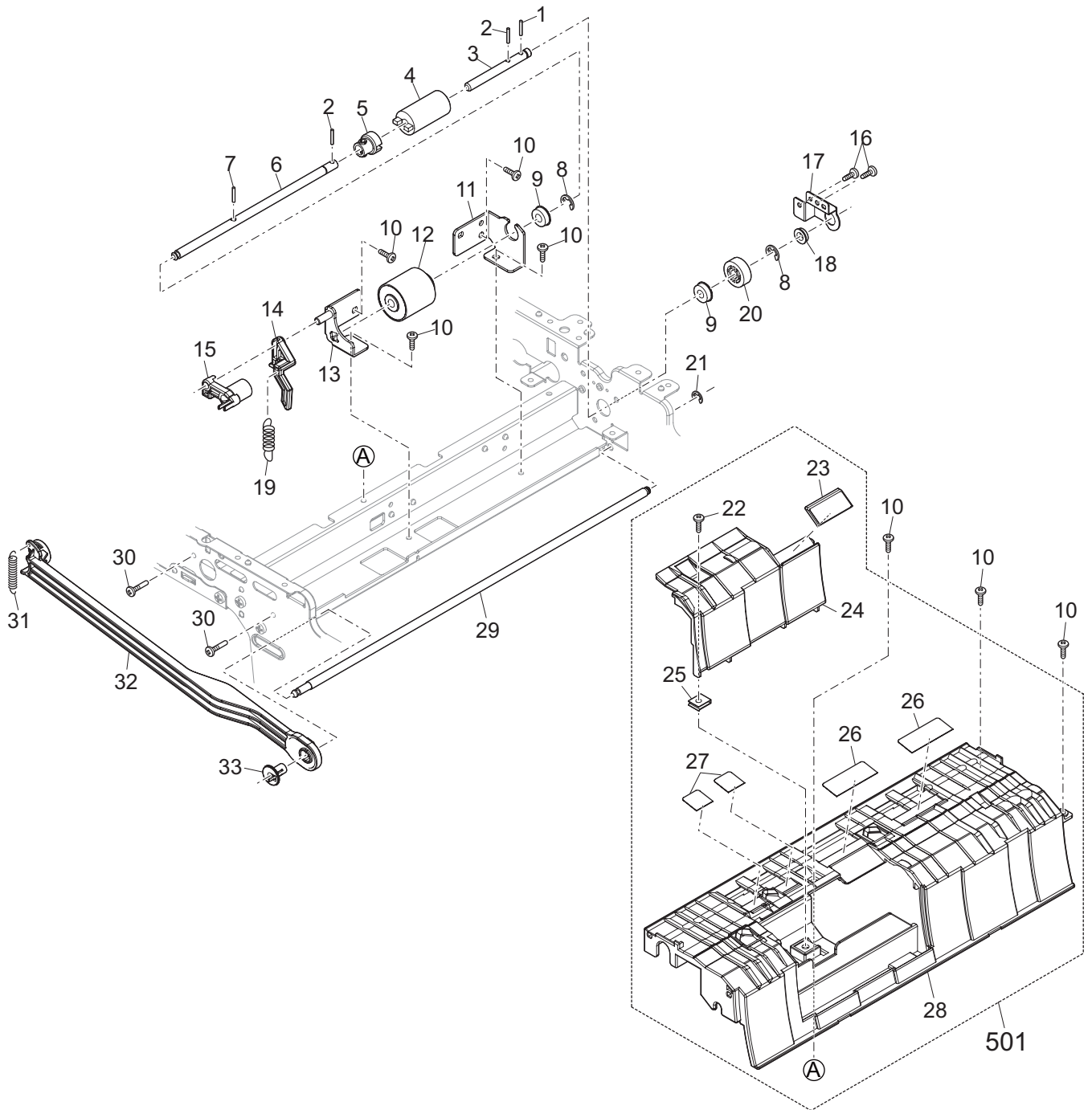




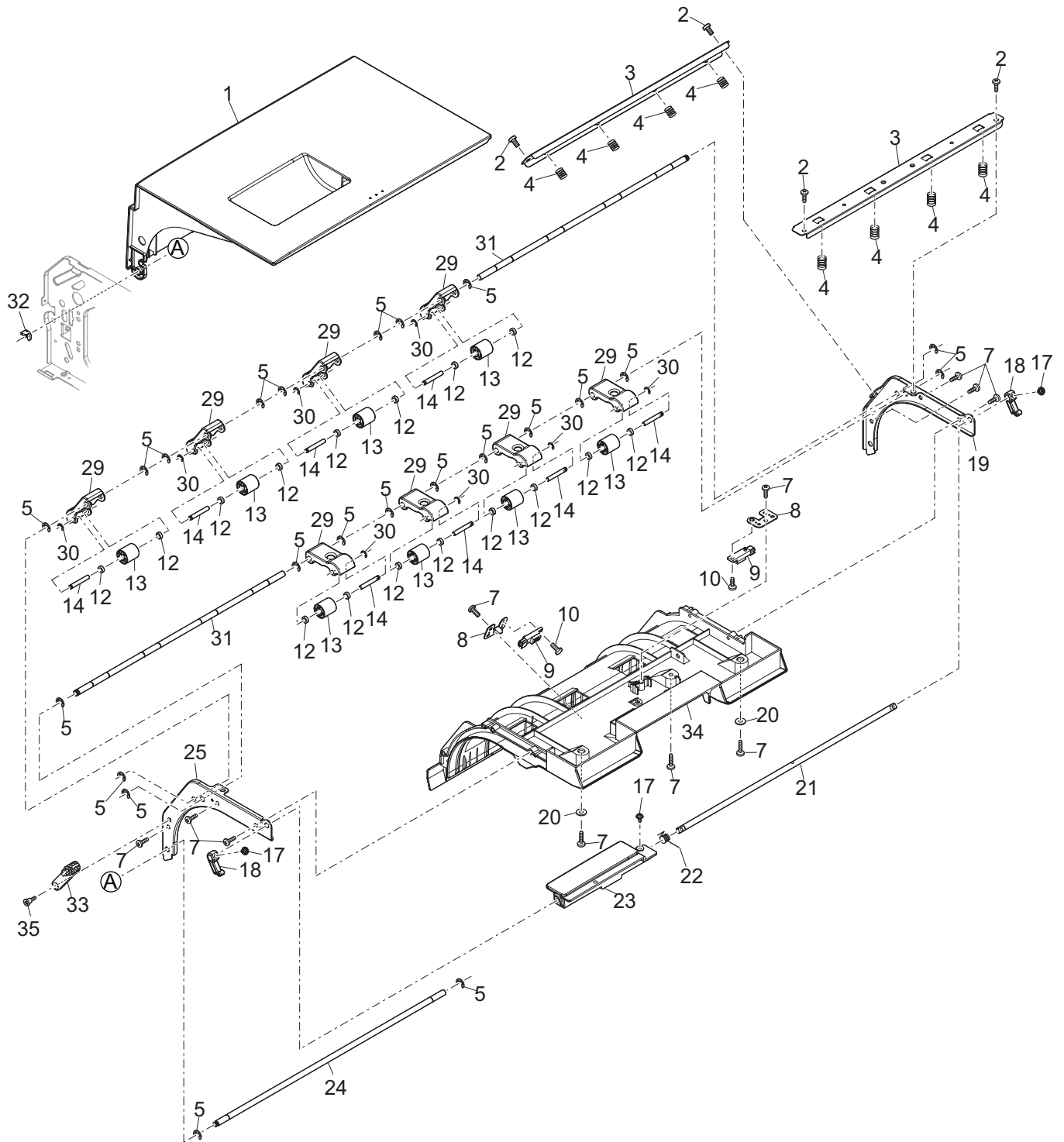
ITEM No.	PART No.	PART NAME	Q'TY / PAGE	Q'TY / PACK	REMARKS
1	6LS05610000	Original guide R			
2	6LS05609000	Original guide F			
5	6LS04174000	Paper feed rotation tray			
6	6LS05920000	Paper feed base sheet			
7	6LS06164000	Photo sensor			
8	6LA58792800	Screw			
10	6LS03792000	Rack fixing plate			
11	6LS04981000	Width detect rack gear			
12	6LS06216000	Screw			
14	6LA58794800	Screw			
15	6LS04172000	Paper feed delivery tray upper			
16	6LA58793700	Screw			
17	6LS05118000	Rotation tray shaft			
18	6LS06211000	Screw			
19	6LS04459000	Length detect actuator			
21	6LS06172000	Photo sensor			
22	6LS04979000	Width detect pinion gear			
23	6LS04382000	Poly slider			
24	6LS06486000	Width detect fixing plate			
25	6LS03092000	SPF VR PWB			
26	6LA58793200	Screw			
27	6LS05765000	Resin ring			
29	6LA58923000	E ring			
30	6LS10265000	Transport follower roller			
31	6LS05239000	Lift collar shaft			
32	6LS03954000	Lift plate			
33	6LS05240000	Lift up shaft			
34	6LA58794400	Screw			
35	6LS03956000	Sensor fixing plate			
37	6LA58928000	E ring			
38	6LS04434000	Delivery lining up arm			
40	6LS04964000	Lift fan gear			
41	41330533100	Bearing			
42	6LS06765000	Bearing			
43	41330609600	E ring			
44	6LS04173000	Paper feed delivery tray lower			
45	6LS03750000	Spring pin			
46	6LS04302000	Step screw			
47	6LS05380000	Lift up shaft cover			
48	6LS04637000	Lift spring			
901	6LS06577000	DSPF original tray unit			



ITEM No.	PART No.	PART NAME	Q'TY / PAGE	Q'TY / PACK	REMARKS
1	6LS05444000	Paper feed cover			
2	6LA58794800	Screw			
3	6LS04234000	Paper feed shaft support plate F			
4	6LS03695000	Paper feed bearing holder			
5	6LS06676000	Bearing			
6	6LA58794400	Screw			
7	41330609500	E ring			
8	6LS06513000	Bearing			
9	6LS04963000	Paper feed drive gear			
10	6LA58793700	Screw			
11	6LS03953000	Paper feed paper guide upper reinforce plate			
12	6LS05238000	Paper feed roller shaft			
13	6LS04808000	Paper feed bearing			
14	41330609600	E ring			
15	6LS04662000	Pickup pressure spring			
16	6LS02971000	Pick up roller guide			
17	6LS04737000	Belt			
18	6LS05015000	Paper feed roller pulley			
19	6LS05075000	DSPF paper feed roller			
20	6LS05011000	Pickup roller pulley			
21	6LS03596000	Pickup roller holder			
22	6LS05801000	Pickup roller mylar			
23	6LS05076000	DSPF pickup roller			
24	6LA58793200	Screw			
25	6LS03529000	Paper feed harness fixer			
27	6LS06164000	Photo sensor			
28	6LS06172000	Photo sensor			
29	6LS05608000	Paper feed paper guide			
901	6LS06578000	Paper feed paper guide upper unit			

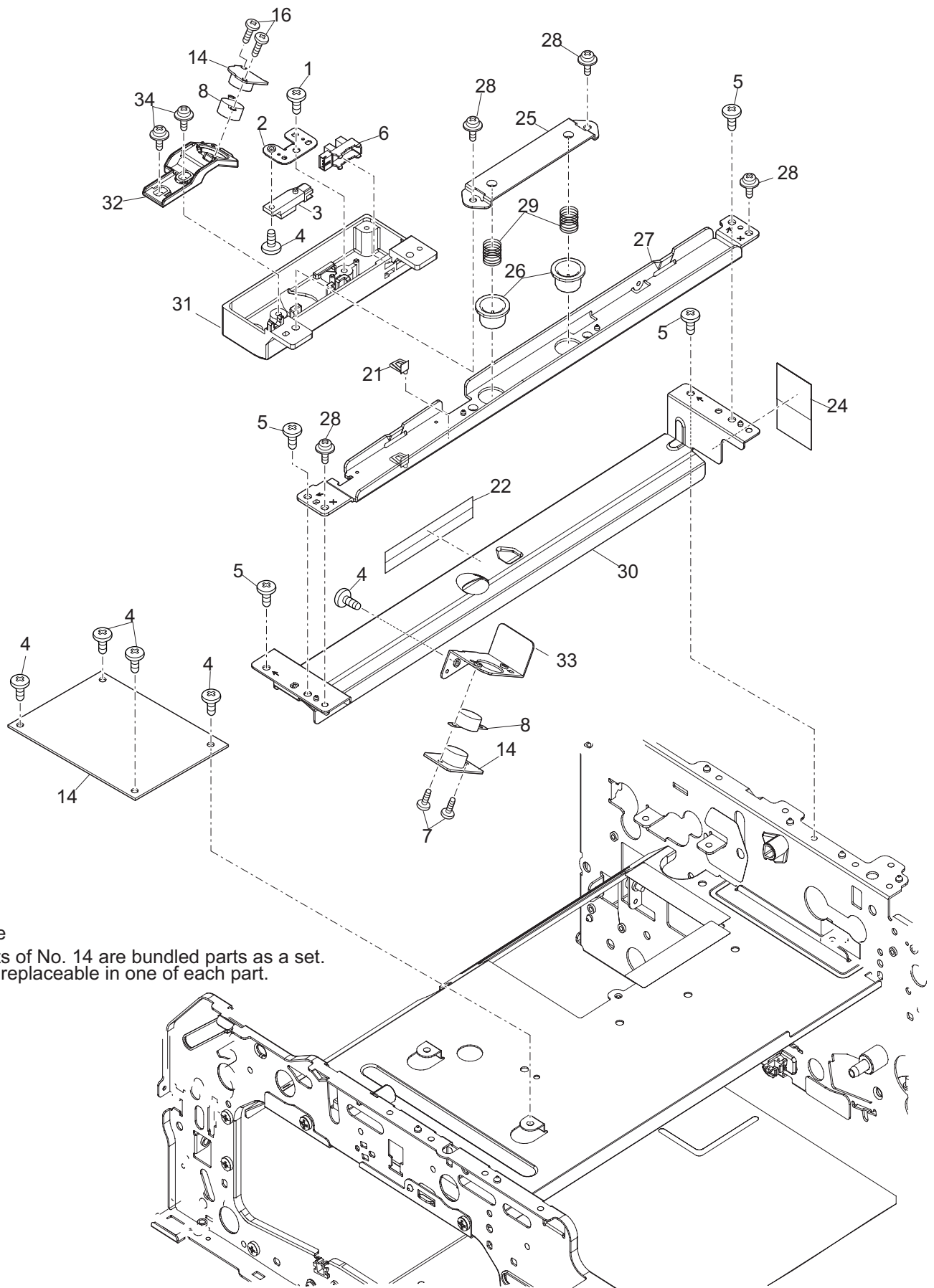


ITEM No.	PART No.	PART NAME	Q'TY / PAGE	Q'TY / PACK	REMARKS
1	6LS03728000	Pin			
2	6LS10383000	Spring pin			
3	6LS05117000	Reverse roller shaft B			
4	6LS05346000	Paper feed torque limiter			
5	6LS04856000	Separate coupling			
6	6LS05237000	Reverse roller shaft A			
7	6LS03735000	Spring pin			
8	41330609600	E ring			
9	6LS06513000	Bearing			
10	6LA58794800	Screw			
11	6LS04235000	Separate roller support plate 2			
12	6LS05081000	Reverse roller			
13	6LS03148000	Separate roller support plate 1			
14	6LS04468000	Return compression release lever 2			
15	6LS04488000	Reverse release lever			
16	6LA58794400	Screw			
17	6LS04236000	Separate roller support plate 3			
18	6LS06676000	Bearing			
19	6LS04671000	Reverse pressure spring			
20	6LS04896000	Idle gear			
21	41330609500	E ring			
22	6LS06235000	Screw			
23	6LS05949000	Front separate sheet			
24	6LS05442000	Paper feed paper guide lower cover			
25	6LS04377000	Speed nut			
26	6LS05804000	Transport mylar			
27	6LS05799000	Paper feed rear mylar 2			
28	6LS05607000	Paper feed paper guide lower			
29	6LS05116000	Separate roller release shaft			
30	6LS04318000	Step screw			
31	6LS04670000	Release lever spring			
32	6LS04489000	Release link lever			
33	6LS03649000	Pressure release shaft holder			
501	6LS06579000	Paper feed paper guide lower unit			



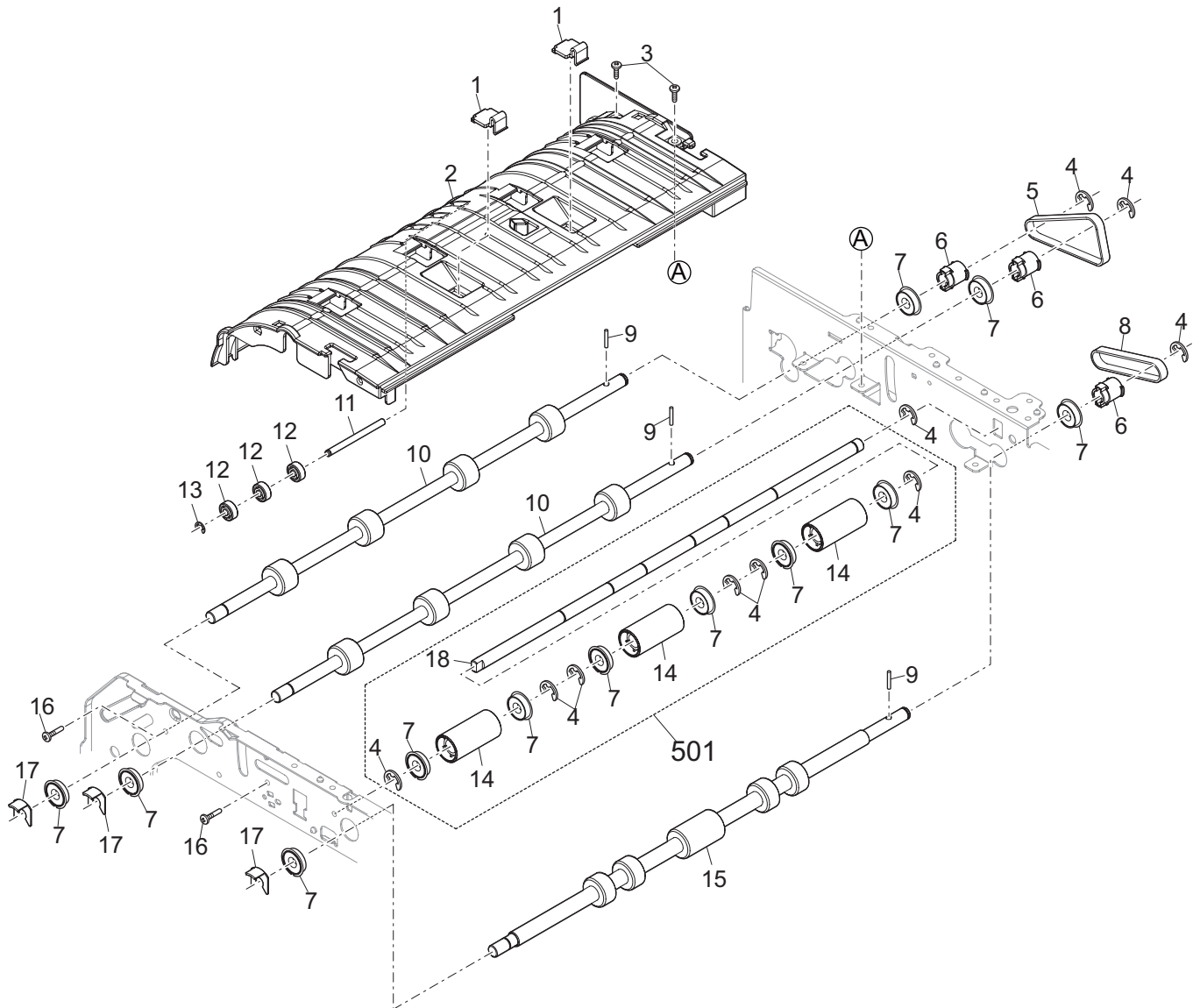
ITEM No.	PART No.	PART NAME	Q'TY / PAGE	Q'TY / PACK	REMARKS
1	6LS03372000	Upper door cabinet			
2	6LA58794800	Screw			
3	6LS03530000	Follower SP fixing plate			
4	6LS04570000	Follower roller pressure spring			
5	41330609600	E ring			
7	6LA58793700	Screw			
8	6LS03952000	Rear edge detect sensor fixing plate			
9	6LS06164000	Photo sensor			
10	6LA58794400	Screw			
12	6LS06677000	Bearing			
13	6LS05362000	Follower collar			
14	6LS05236000	Follower roller shaft			
17	6LA58792800	Screw			
18	6LS05978000	Lower door lock pawl			
19	6LS03579000	Upper door frame F			
20	6LS04393000	Washer			
21	6LS05235000	Upper door lock shaft			
22	6LS04628000	Upper door lock spring			
23	6LS04487000	Upper door open/close lever			
24	6LS05242000	Upper door fulcrum shaft			
25	6LS03578000	Upper door frame F			
29	6LS03694000	Follower roller bearing holder			
30	6LA58923000	E ring			
31	6LS05244000	Follower fulcrum shaft			
32	6LA58675000	Resin ring			
33	6LS04435000	Upper door support arm			
34	6LS05594000	Upper door paper guide			
35	6LS04298000	Step screw			
901	6LS06580000	Upper door paper guide unit			



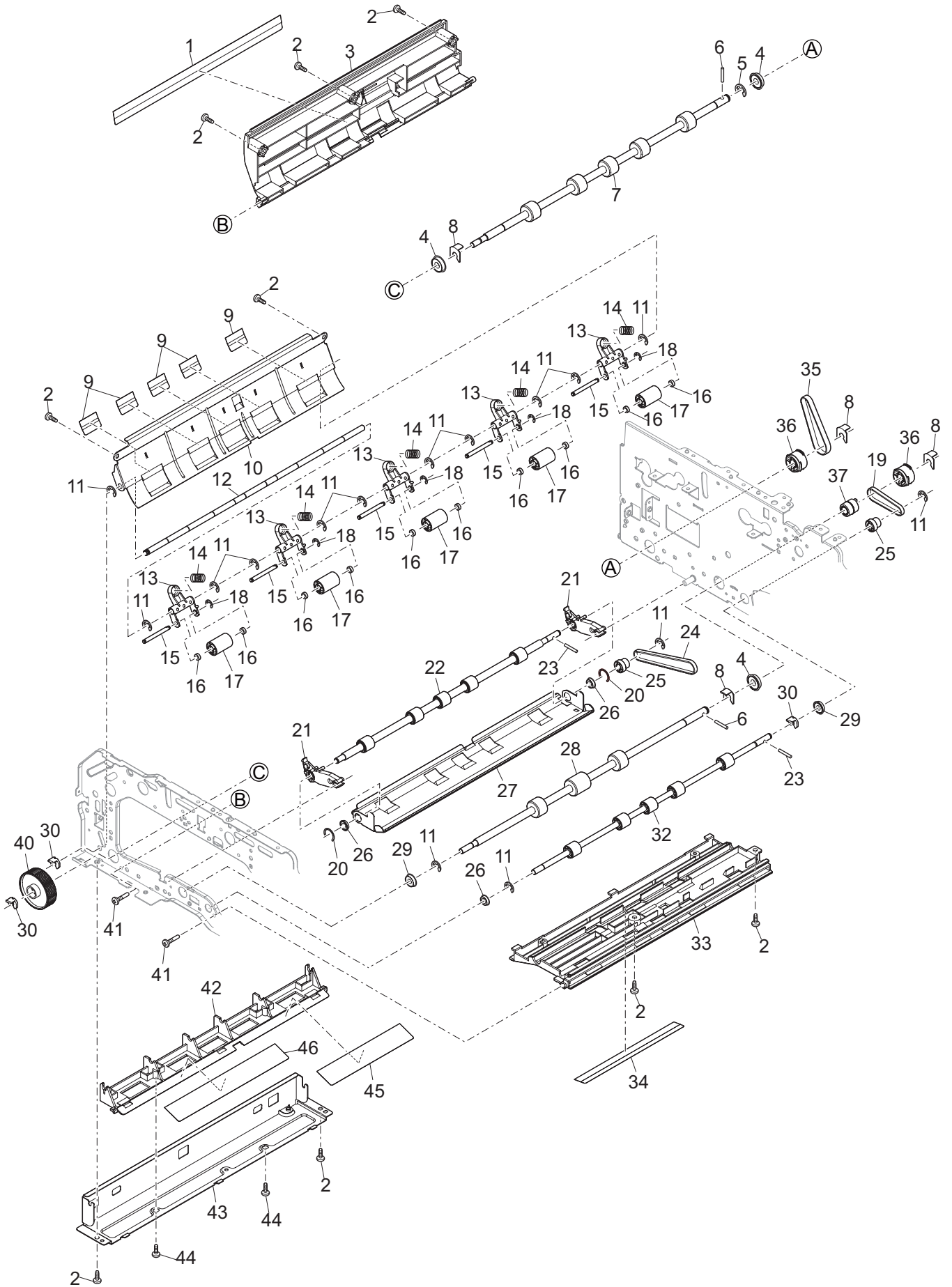


Note  
Parts of No. 14 are bundled parts as a set.  
Not replaceable in one of each part.

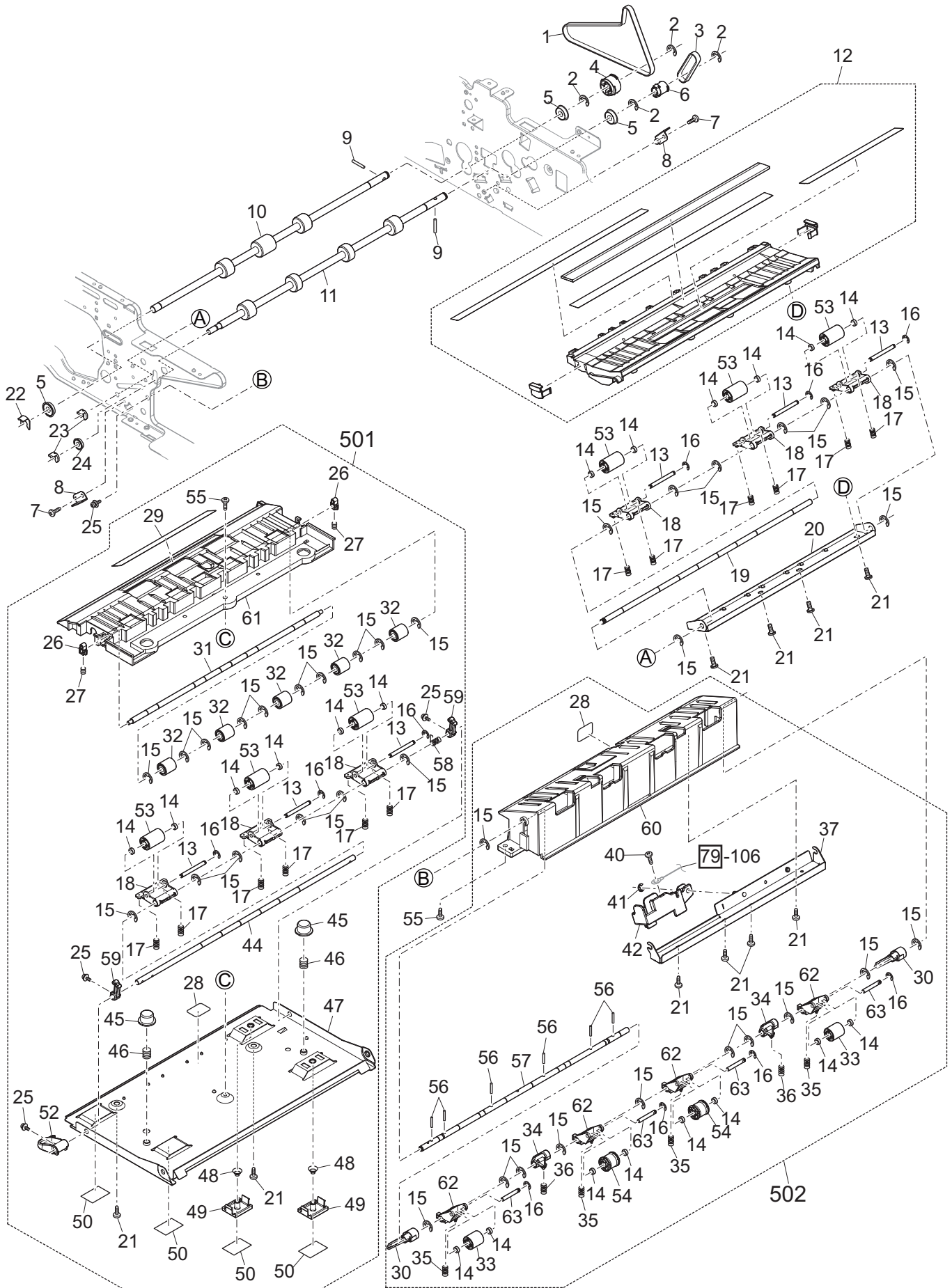
ITEM No.	PART No.	PART NAME	Q'TY / PAGE	Q'TY / PACK	REMARKS
1	6LA58793700	Screw			
2	6LS03952000	Rear edge detect sensor fixing plate			
3	6LS06164000	Photo sensor			
4	6LA58794400	Screw			
5	6LA58794800	Screw			
6	6LS06160000	Sensor			
7	6LA58792000	Screw			
8	6LS06769000	DFS shield sheet			
14	6LS06770000	DF sensor PWB			Code for service only
16	6LS04253000	Screw			
21	6LS05901000	Harness clamp sheet			
22	6LS05846000	Stay edge protect sheet			
24	6LS05886000	Clip guard sheet A			
25	6LS03528000	Resist pressure spring fixer plate			
26	6LS03652000	White standard pressure spring holder			
27	6LS04237000	Resist pressure stay			
28	6LA58845000	Screw			
29	6LS04540000	Follower pressure spring			
30	6LS05542000	Double feed detect paper guide lower			
31	6LS06690000	Double feed detect paper guide upper			
32	6LS03507000	Double feed detect transmission fixing block			
33	6LS03959000	Double feed detect fixing lower			
34	6LS04260000	Screw			
901	6LS06581000	Double feed detect paper guide unit			



ITEM No.	PART No.	PART NAME	Q'TY / PAGE	Q'TY / PACK	REMARKS
1	6LS05379000	Adjust cover			
2	6LS05595000	Upper transport paper guide			
3	6LA58794800	Screw			
4	6LA58928000	E ring			
5	6LS04756000	Belt			
6	6LS05019000	Transport pulley			
7	6LS06487000	Bearing			
8	6LS04755000	Belt			
9	6LS03735000	Spring pin			
10	6LS05078000	DSPF upper transport roller			
11	6LS05243000	Support collar shaft			
12	6LS05355000	U-turn collar			
13	6LA58923000	E ring			
14	6LS05044000	Resist follower roller C			
15	6LS05077000	Resist roller			
16	6LS04318000	Step screw			
17	6LS04188000	Wire fixing stopper			
18	6LS05241000	Resist follower roller shaft			
501	6LS06583000	Resist follower roller shaft unit			

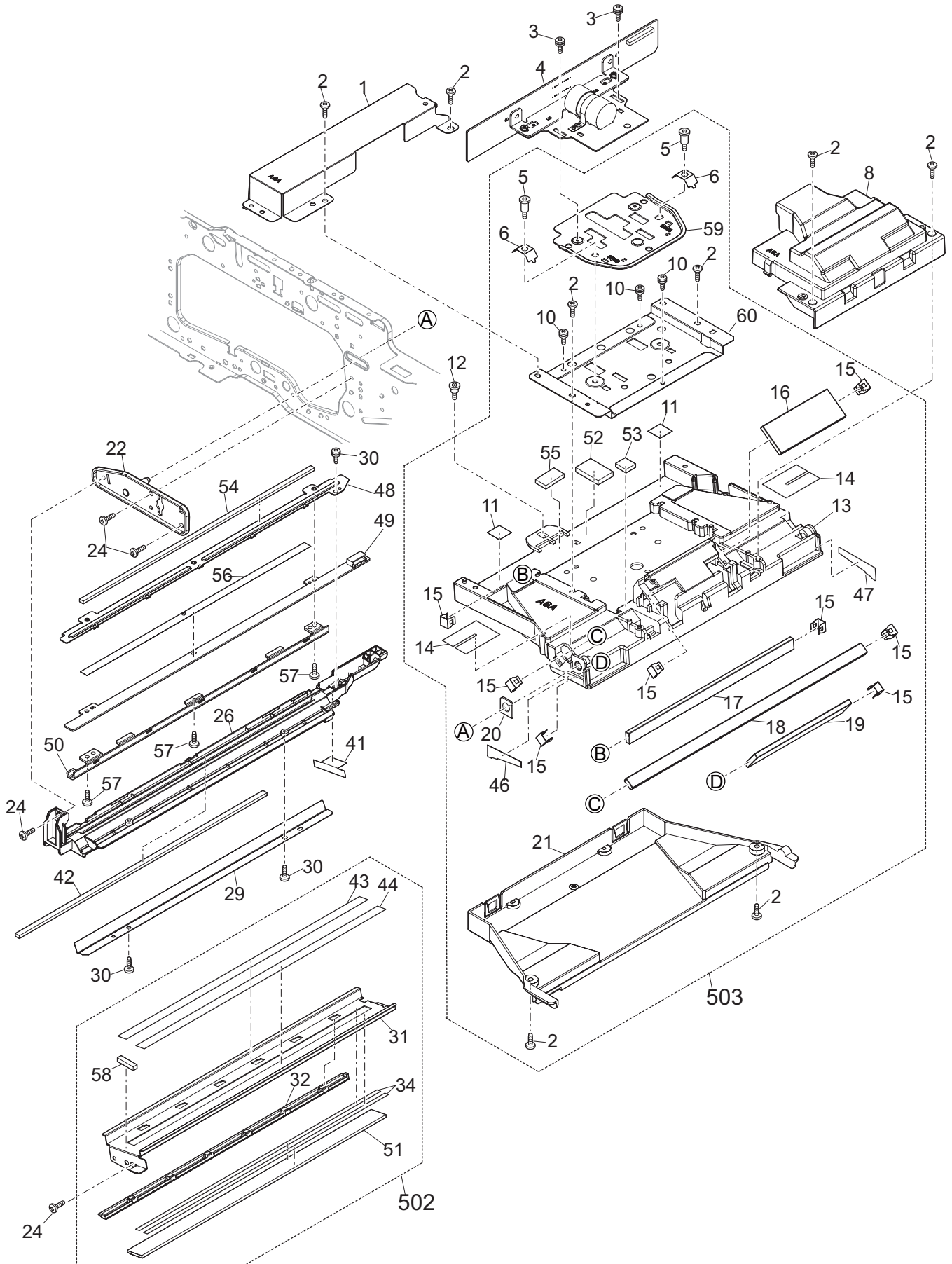


ITEM No.	PART No.	PART NAME	Q'TY / PAGE	Q'TY / PACK	REMARKS
1	6LS05842000	PS inside guide sheet			
2	6LA58794800	Screw			
3	6LS05604000	PS paper guide inside			
4	6LS06487000	Bearing			
5	6LA58928000	E ring			
6	6LS03735000	Spring pin			
7	6LS05071000	PS roller DSPF			
8	6LS04188000	Wire fixing stopper			
9	6LS05834000	PS guide sheet			
10	6LS05539000	PS paper guide outside			
11	41330609600	E ring			
12	6LS05234000	PS follower fulcrum shaft			
13	6LS04427000	PS follower pressure arm			
14	6LS04567000	PS follower spring			
15	6LS05230000	Lower door follower collar shaft			
16	6LS06677000	Bearing			
17	6LS05361000	Follower collar			
18	6LA58923000	E ring			
19	6LS04760000	Belt			
20	6LS05768000	Crescent ring			
21	6LS04423000	Platen arm			
22	6LS05045000	Platen roller			
23	6LS06237000	Spring pin			
24	6LS04759000	Belt			
25	6LS05022000	Platen drive pulley			
26	6LS06676000	Bearing			
27	6LS06584000	Platen read plate			
28	6LS05072000	DSPF lower transport roller 1			
29	6LS06513000	Bearing			
30	6LS10187000	Resin ring			
32	6LS05046000	Platen roller 2			
33	6LS05605000	Lower transport paper guide upper			
34	6LS05833000	Lower transport roller 1 sheet			
35	6LS04757000	Belt			
36	6LS05020000	Transport pulley			
37	6LS05021000	Platen pulley			
40	6LS03465000	PS knob			
41	6LS04318000	Step screw			
42	6LS05603000	Platen front guide paper guide			
43	6LS04232000	PS stay			
44	6LS04271000	Screw			
45	6LS05832000	PT guide sheet R			
46	6LS05831000	PT guide sheet F			

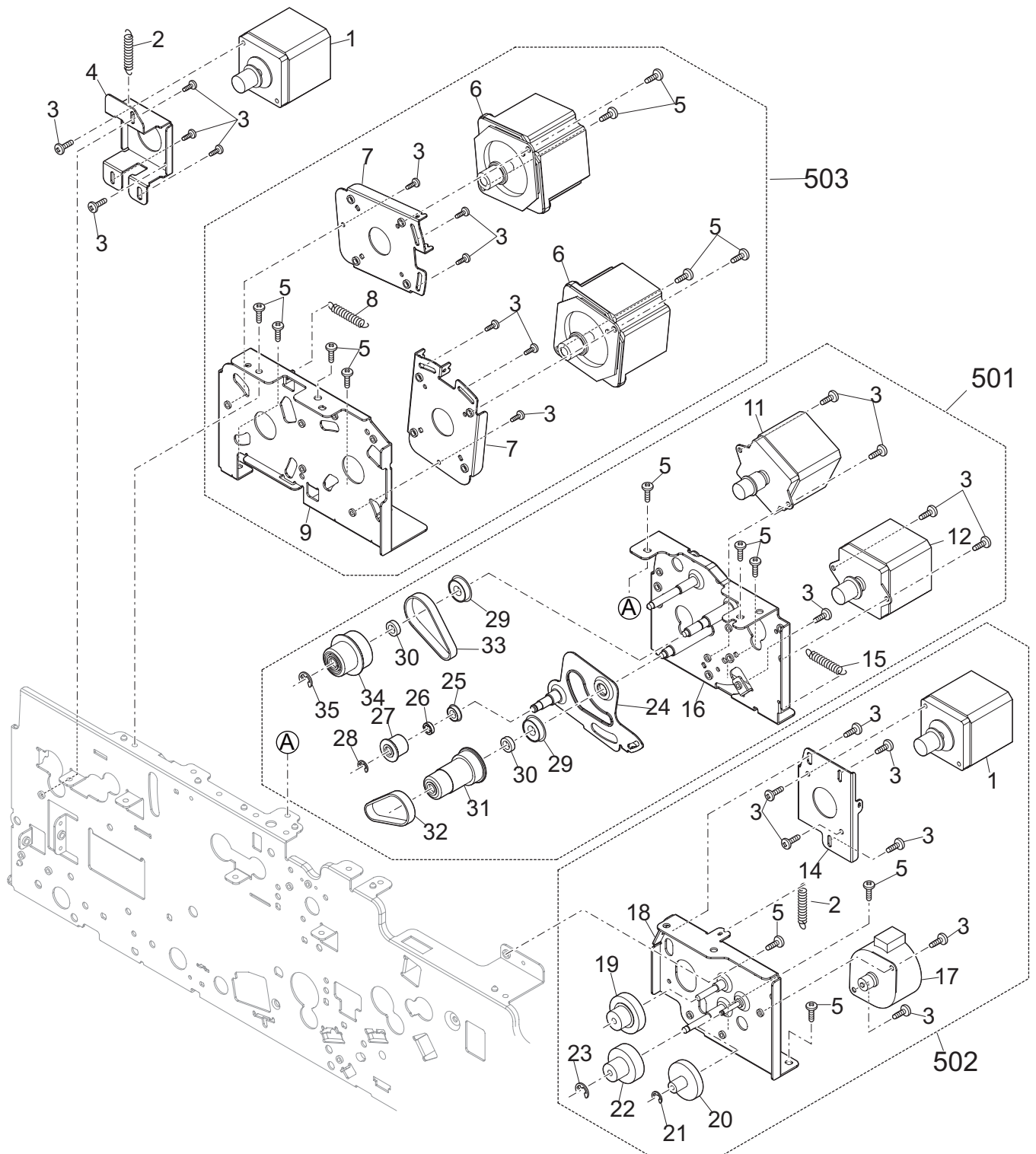


ITEM No.	PART No.	PART NAME	Q'TY / PAGE	Q'TY / PACK	REMARKS
1	6LS04758000	Belt			
2	6LA58928000	E ring			
3	6LS04754000	Belt			
4	6LS05020000	Transport pulley			
5	6LS06487000	Bearing			
6	6LS05019000	Transport pulley			
7	6LA58794400	Screw			
8	6LS02992000	Lower door fulcrum plate			
9	6LS03735000	Spring pin			
10	6LS05073000	DSPF lower transport roller 2			
11	6LS05074000	DSPF delivery roller			
12	6LS06585000	White standard paper guide			
13	6LS05230000	Lower door follower collar shaft			
14	6LS06677000	Bearing			
15	41330609600	E ring			
16	6LA58923000	E ring			
17	6LS04568000	Transport follower spring			
18	6LS04424000	Lower door follower collar pressure arm			
19	6LS05231000	White standard paper guide fulcrum shaft			
20	6LS03951000	White standard follower collar pressure plate			
21	6LA58793700	Screw			
22	6LS04188000	Wire fixing stopper			
23	6LS10187000	Resin ring			
24	6LS06676000	Bearing			
25	6LA58792800	Screw			
26	6LS04814000	Platen 2 follower bearing			
27	6LS04569000	Platen 2 follower spring			
28	6LS05935000	Lower door reflect protection sheet			
29	6LS05833000	Lower transport roller 1 sheet			
30	6LS04425000	Delivery release arm			
31	6LS05233000	Platen 2 follower shaft			
32	6LS05038000	PS follower roller B			
33	6LS05362000	Follower collar			
34	6LS04426000	Delivery arm			
35	6LS04565000	Delivery follower spring			
36	6LS04566000	Delivery spring			
37	6LS03058000	Delivery follower collar pressure plate			
40	6LA58793200	Screw			
41	41330609500	E ring			
42	6LS05376000	Stamp cover			
44	6LS05229000	Lower door lock shaft			
45	6LS03652000	White standard pressure spring holder			
46	6LS04542000	White standard pressure spring			
47	6LS03950000	Lower door base plate			
48	6LS04541000	OC pressure spring			
49	6LS04111000	OC pressure plate			
50	6LS05921000	OC mat fixing sheet			
52	6LS04469000	Lower door lock release lever			
53	6LS05361000	Follower collar			
54	6LS05360000	Delivery follower collar			
55	6LA58794800	Screw			
56	6LS03745000	Spring pin			
57	6LS05232000	Delivery lower fulcrum shaft			
58	6LS06412000	Lower door lock spring			
59	6LS05978000	Lower door lock pawl			
60	6LS05602000	Delivery lower paper guide			
61	6LS05601000	Lower door paper guide			
62	6LS03693000	Delivery follower collar holder			
63	6LS05236000	Follower roller shaft			
501	6LS06586000	Lower door paper guide unit			
502	6LS06587000	Delivery lower paper guide unit			

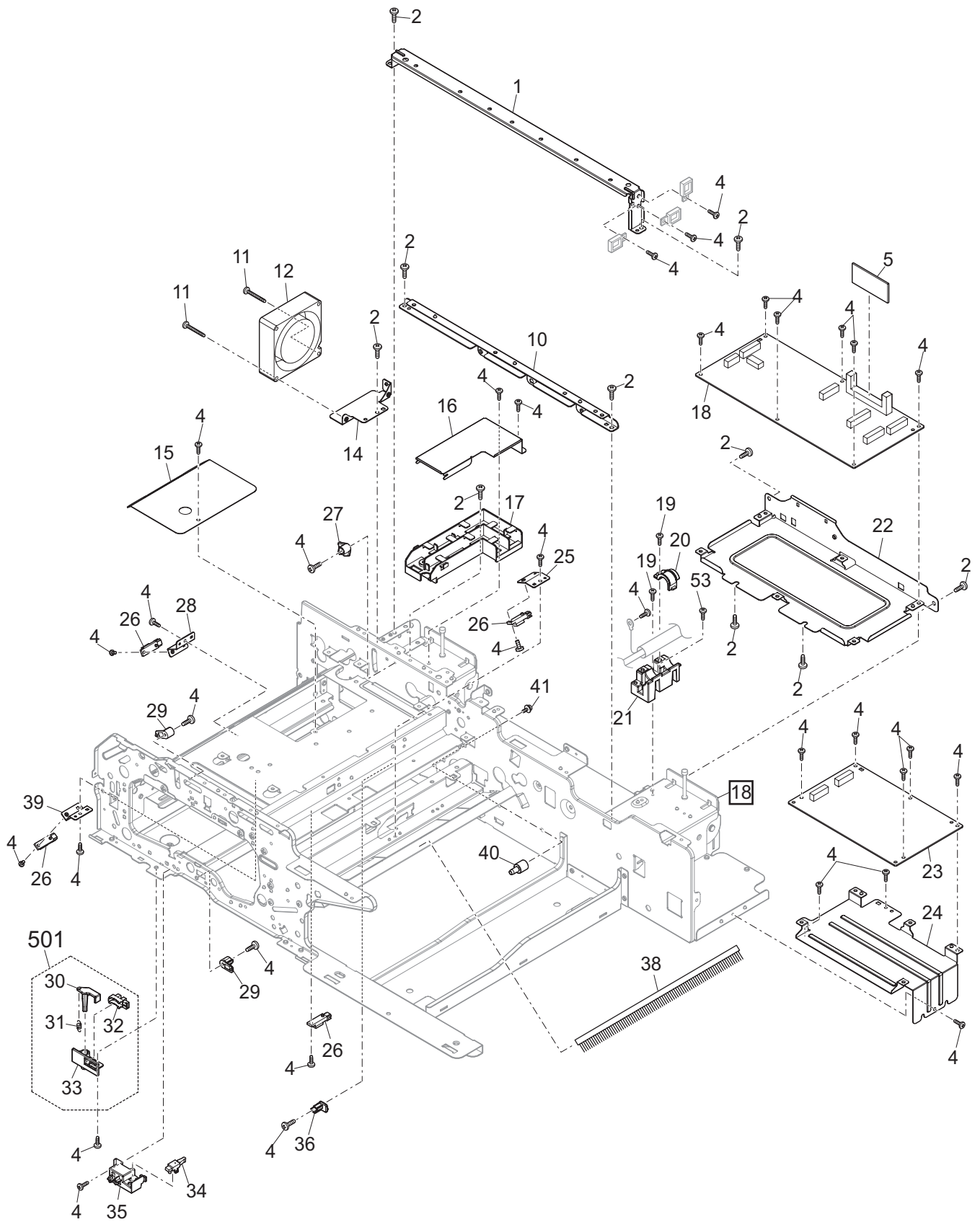




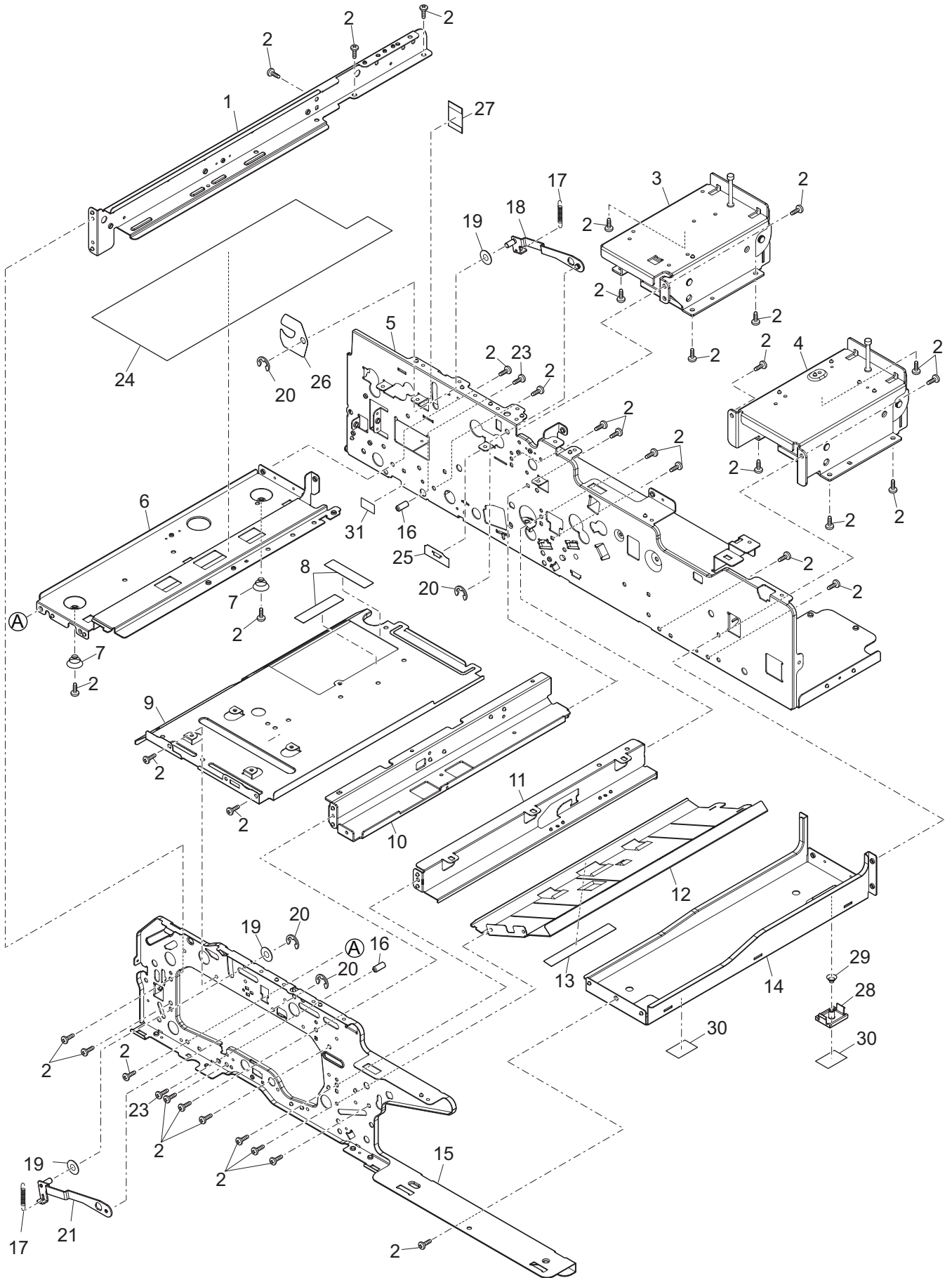
ITEM No.	PART No.	PART NAME	Q'TY / PAGE	Q'TY / PACK	REMARKS
1	6LS02895000	Dark box			
2	6LA58793700	Screw			
3	6LS06220000	Screw			
4	6LS06776000	Lens unit			
5	6LS04251000	Step screw			
6	6LS04650000	Lens base fixing spring			
8	6LS06658000	Dustproof cover			
10	6LS04250000	Lens base adjust screw			
11	6LS05806000	Dustproof sheet 2			
12	6LS04288000	Screw			
13	6LS06777000	Mirror base			
14	6LS05805000	Dustproof sheet			
15	6LS04655000	Mirror fixing spring			
16	6LS06479000	4th mirror			
17	6LS06477000	2nd mirror			
18	6LS06778000	1st mirror			
19	6LS06478000	3rd mirror			
20	6LS05656000	Optical fixing rubber			
21	6LS06667000	Mirror base cover			
22	6LS03059000	Optical fixing plate F			
24	6LA58794800	Screw			
26	6LS03515000	Lamp base DSPF			
29	6LS05760000	Reflector			
30	6LA58793200	Screw			
31	6LS05541000	Optical paper guide			
32	6LS05606000	Optical paper guide front guide			
34	6LS05988000	Read glass tape			
41	6LS05895000	Lamp dustproof mylar			
42	6LS05731000	Lamp dustproof cushion			
43	6LS05732000	Paper guide dustproof cushion L			
44	6LS05743000	Paper guide dustproof cushion L2			
46	6LS05896000	MB dustproof mylar F			
47	6LS05897000	MB dustproof mylar R			
48	6LS04009000	LED PWB fixing plate			
49	6LS03107000	LED PWB			
50	6LS04139000	Optical web guide plate			
51	6LS05646000	Read glass			
52	6LS05730000	CCD cushion			
53	6LS05737000	Actuator damper cushion			
54	6LS05746000	Lamp dust protect molt			
55	6LS05749000	Mirror vibration proof molt DSPF			
56	6LS05890000	LED insulation sheet			
57	6LA58794500	Screw			
58	6LS05745000	Paper guide dustproof cushion S			
59	6LS03511000	Lens base			
60	6LS03998000	Lens unit fixing plate			
502	6LS06589000	Optical paper guide unit			
503	6LS06590000	Mirror base unit			



ITEM No.	PART No.	PART NAME	Q'TY / PAGE	Q'TY / PACK	REMARKS
1	6LS06085000	DSPF PS motor			
2	6LS04704000	Tension spring 2			
3	6LA58794400	Screw			
4	6LS03947000	PS motor fixing plate			
5	6LA58794800	Screw			
6	6LS06089000	DSPF resist/transport motor			
7	6LS03948000	Motor tension plate			
8	6LS04715000	Tension spring			
9	6LS03946000	Transport motor fixing plate			
11	6LS06084000	DSPF RF motor			
12	6LS06083000	DSPF paper feed motor			
14	6LS03949000	Motor tension plate 2			
15	6LS04672000	Drive adjustment spring			
16	6LS03052000	Paper feed drive unit			
17	6LS06086000	DSPF lift up motor			
18	6LS03055000	Lift driver plate			
19	6LS04915000	Gear			
20	6LS04878000	Gear			
21	6LA58721000	E ring			
22	6LS04879000	Gear			
23	6LA58923000	E ring			
24	6LS03060000	Drive adjust plate			
25	6LS06676000	Bearing			
26	6LS06679000	Ball bearing			
27	6LS05363000	Tension collar			
28	41330609500	E ring			
29	6LS06487000	Bearing			
30	6LS06781000	Bearing			
31	6LS04965000	Reverse gear			
32	6LS04761000	Belt			
33	6LS04754000	Belt			
34	6LS04962000	Paper feed gear			
35	41330609600	E ring			
501	6LS06591000	Paper feed drive unit			
502	6LS06592000	Lift drive unit			
503	6LS06593000	DSPF transport drive unit			

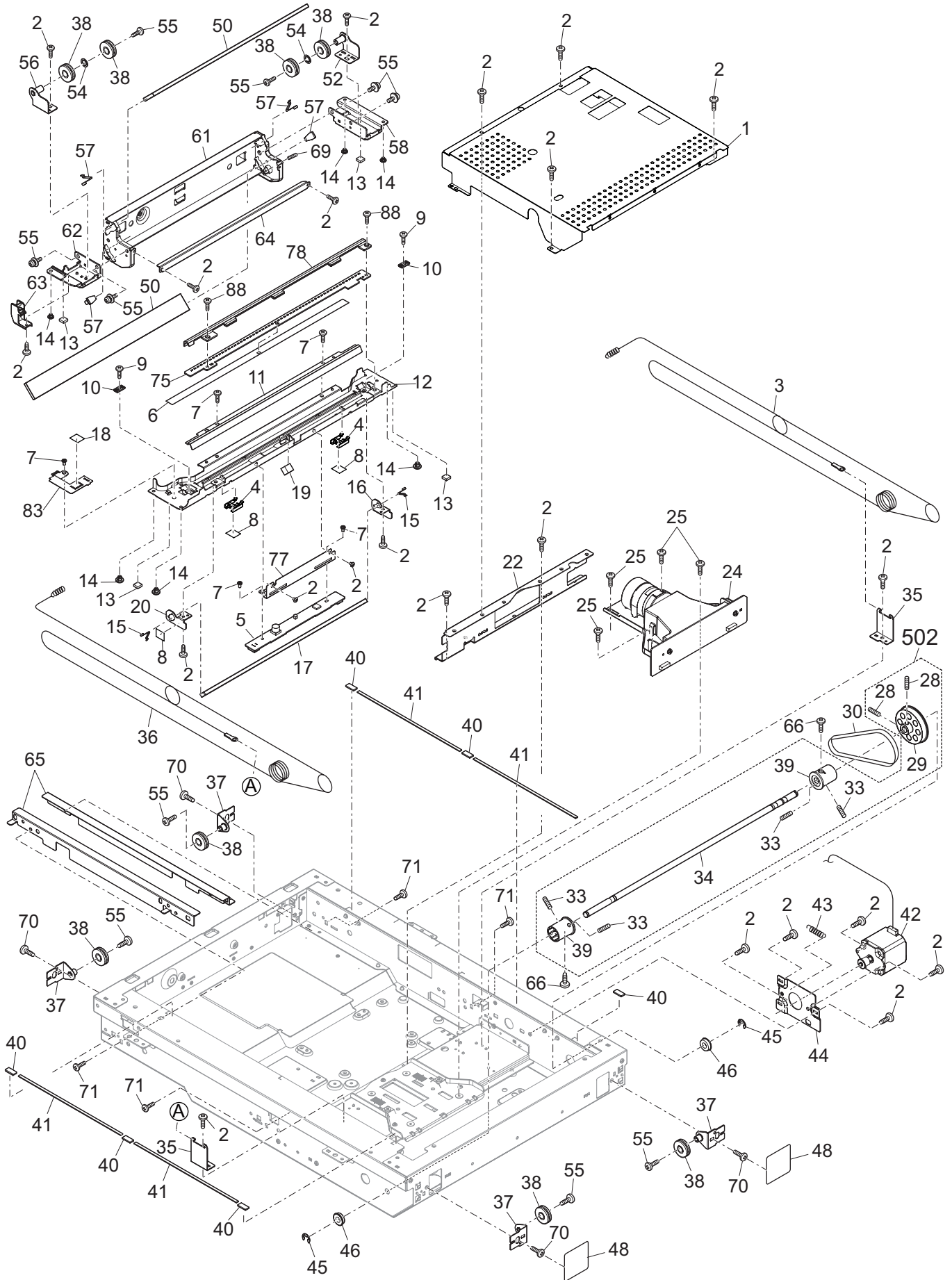


ITEM No.	PART No.	PART NAME	Q'TY / PAGE	Q'TY / PACK	REMARKS
1	6LS03957000	Holder R fixing plate			
2	6LA58794800	Screw			
4	6LA58794400	Screw			
5	6LS06782000	DSPF flash ROM			
10	6LS04231000	Driver support stay			
11	6LS06182000	Screw			
12	6LS04867000	PS radiate fan			
14	6LS03958000	Motor radiate fan fixing plate			
15	6LS05441000	Optical stay upper cover			
16	6LS05443000	Harness shield cover			
17	6LS05611000	Harness guide DSPF			
18 A	6LS06784000	DSPF control PWB			e-STUDIO1058
18 B	6LS06783000	DSPF control PWB			e-STUDIO1208
19	6LA58793700	Screw			
20	6LS06657000	Interface harness cover			
21	6LS05577000	Interface harness guide			
22	6LS03955000	Control PWB fixing plate			
23	6LS06652000	DSPF driver PWB			
24	6LS03986000	DSPF driver PWB fixing plate			
25	6LS03960000	Sensor fixing plate 2			
26	6LS06164000	Photo sensor			
27	6LS03492000	Lower door fixing base R			
28	6LS03944000	SPPD5 fixing plate			
29	6LS03491000	Lower door fixing base F			
30	6LS04470000	Book detect lever			
31	6LS04673000	Book detect lever spring			
32	6LS06160000	Sensor			
33	6LS03650000	Book detect holder			
34	6LA58710700	Waste toner full detect switch			
35	6LS03651000	Lower door open/close detect holder			
36	6LS03506000	Lower door fixing base R			
38	6LS05329000	Discharger brush			
39	6LS03945000	SPPD6 fixing plate			
40	6LS05227000	Optical fixing shaft R			
41	6LS06193000	Screw			
53	6LS06227000	Screw			
501	6LS06594000	Book detect holder unit			



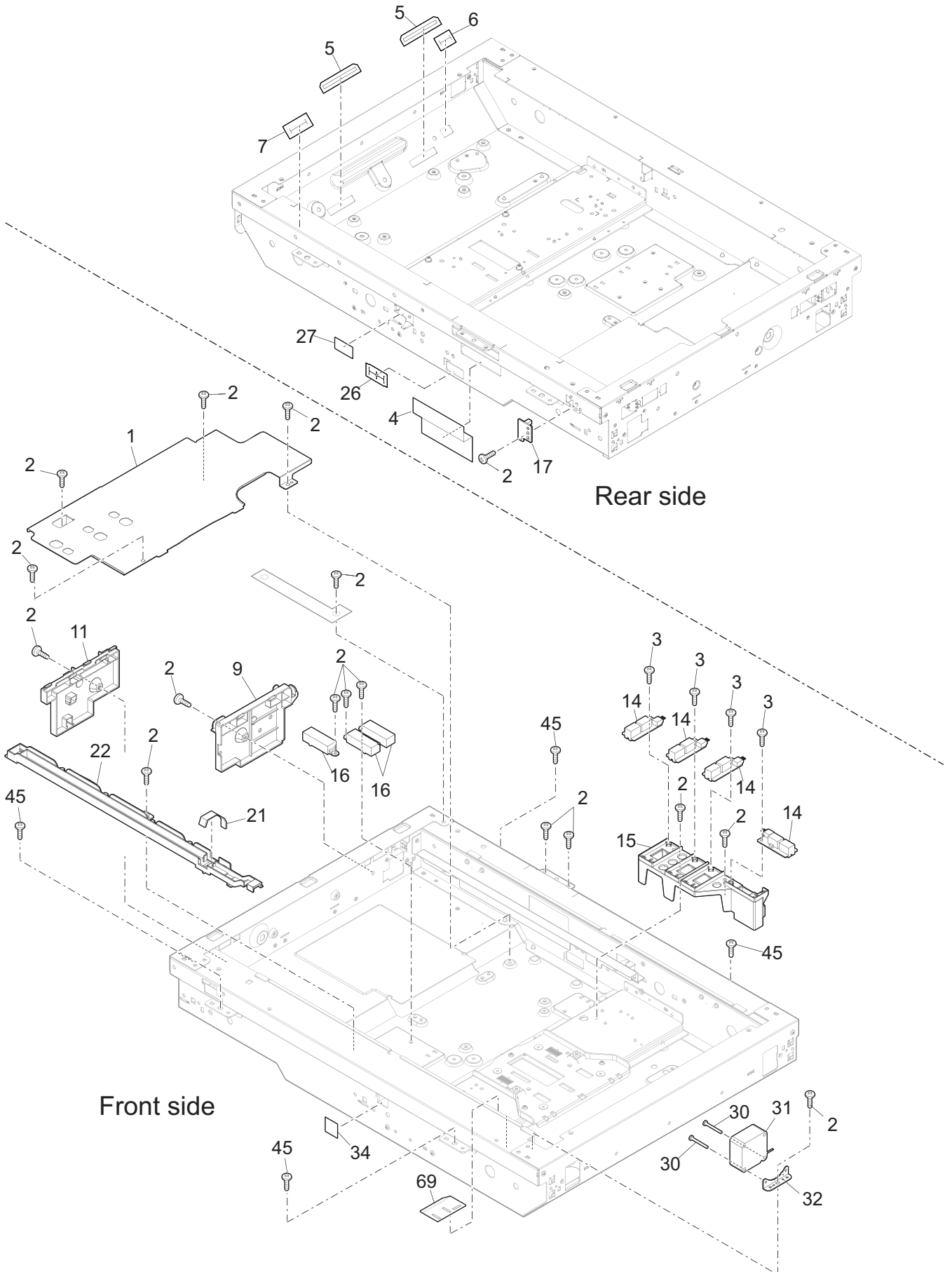
ITEM No.	PART No.	PART NAME	Q'TY / PAGE	Q'TY / PACK	REMARKS
1	6LS04229000	Optical stay			
2	6LA58794800	Screw			
3	6LS04449000	DSPF hinge L			
4	6LS04450000	DSPF hinge R			
5	6LS03577000	DSPF frame R			
6	6LS04227000	Paper pass stay			
7	6LS04543000	Reading plate spring			
8	6LS05846000	Stay edge protect sheet			
9	6LS04230000	Optical stay upper			
10	6LS04233000	Paper feed stay			
11	6LS04238000	Sensor stay			
12	6LS05540000	Delivery paper guide upper			
13	6LS05833000	Lower transport roller 1 sheet			
14	6LS04228000	Delivery stay			
15	6LS03576000	DSPF frame F			
16	6LS05228000	Platen support shaft			
17	6LS04711000	1st resist release spring			
18	6LS02885000	1st resist release arm R			
19	6LS10191000	Poly slider			
20	41330609600	E ring			
21	6LS02886000	1st resist release arm F			
23	6LA58792800	Screw			
24	6LS05877000	Roller cover sheet			
25	6LS05887000	Clip guide sheet B			
26	6LS05888000	Clip guide sheet C			
27	6LS05889000	Clip guide sheet D			
28	6LS04111000	OC pressure plate			
29	6LS04541000	OC pressure spring			
30	6LS05921000	OC mat fixing sheet			
31	6LS06554000	Delivery drive support sheet			



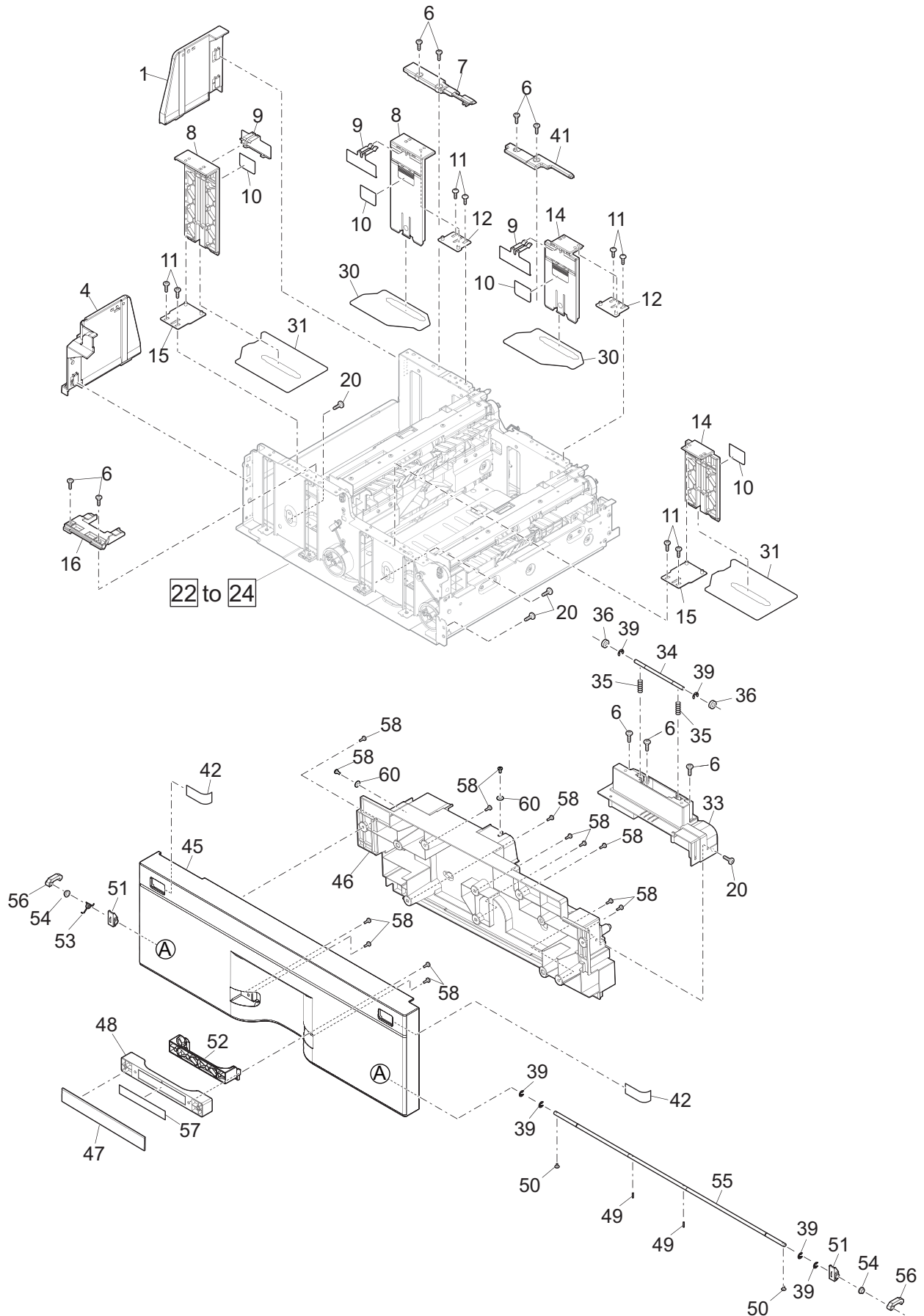


ITEM No.	PART No.	PART NAME	Q'TY / PAGE	Q'TY / PACK	REMARKS
1	6LS06785000	Dark box cover			
2	6LA58794400	Screw			
3	6LS06010000	MB wire RHC			
4	6LS03714000	CL harness holder			
5	6LS03109000	LED driver PWB			
6	6LS05878000	LED insulation sheet			
7	6LA58847000	Screw			
8	6LS05900000	Mirror holder sheet			
9	6LS06191000	Screw			
10	6LS11792000	Wire holder			
11	6LS05761000	Reflector			
12	6LS03520000	Lamp base plate			
13	6LS05691000	Rail cushion			
14	6LS04527000	Slider			
15	6LS04657000	1st mirror spring			
16	6LS03673000	1st mirror holder R			
17	6LS06778000	1st mirror			
18	6LA58706900	Optical bottom sheet			
19	6LS05485000	Mirror cushion			
20	6LS03674000	1st mirror holder F			
22	6LS04208000	Dark box stay			
24	6LS06787000	CCD unit			
25	6LS06220000	Screw			
28	6LA58675800	Screw			
29	6LS05023000	Pulley			
30	6LS04750000	Belt			
33	6LA58846000	Screw			
34	6LS05217000	Winder drive shaft			
35	6LS03871000	Wire fixing plate			
36	6LS06009000	MB wire FHC			
37	6LS03030000	Pulley fixing plate			
38	6LS04991000	Pulley			
39	6LS05024000	Winder pulley			
40	6LS05650000	Table glass gum			
41	6LS05692000	Table glass cushion			
42	6LS06082000	Mirror motor			
43	6LS04664000	Belt tension spring			
44	6LS03873000	Motor fixing plate			
45	6LA58928000	E ring			
46	6LS06487000	Bearing			
48	6LS05841000	Dustproof sheet			
50	6LS05667000	2nd/3rd mirror			
52	6LS03031000	W pulley fixing plate R			
54	6LA58677200	Poly slider			
55	6LS06788000	Screw			
56	6LS03032000	W pulley fixing plate F			
57	41330514800	6th mirror fixer F			
58	6LS04207000	Support plate R			
61	6LS03672000	2nd/3rd mirror holder			
62	6LS04206000	Support plate F			
63	6LS05641000	CL harness guide			
64	6LS03872000	2nd/3rd reinforce plate			
65	6LS04156000	MB-B rail F			
66	6LS04372000	Screw			
69	6LS04303000	Screw			
70	6LA58794800	Screw			
71	6LA58840000	Screw			
75	6LS03111000	LED OC PWB			
77	6LS04079000	LED PWB base			
78	6LS04139000	Optical web guide plate			
83	6LS05899000	FFC fixer sheet			
88	6LA58794500	Screw			
502	6LS06562000	Winding shaft unit			

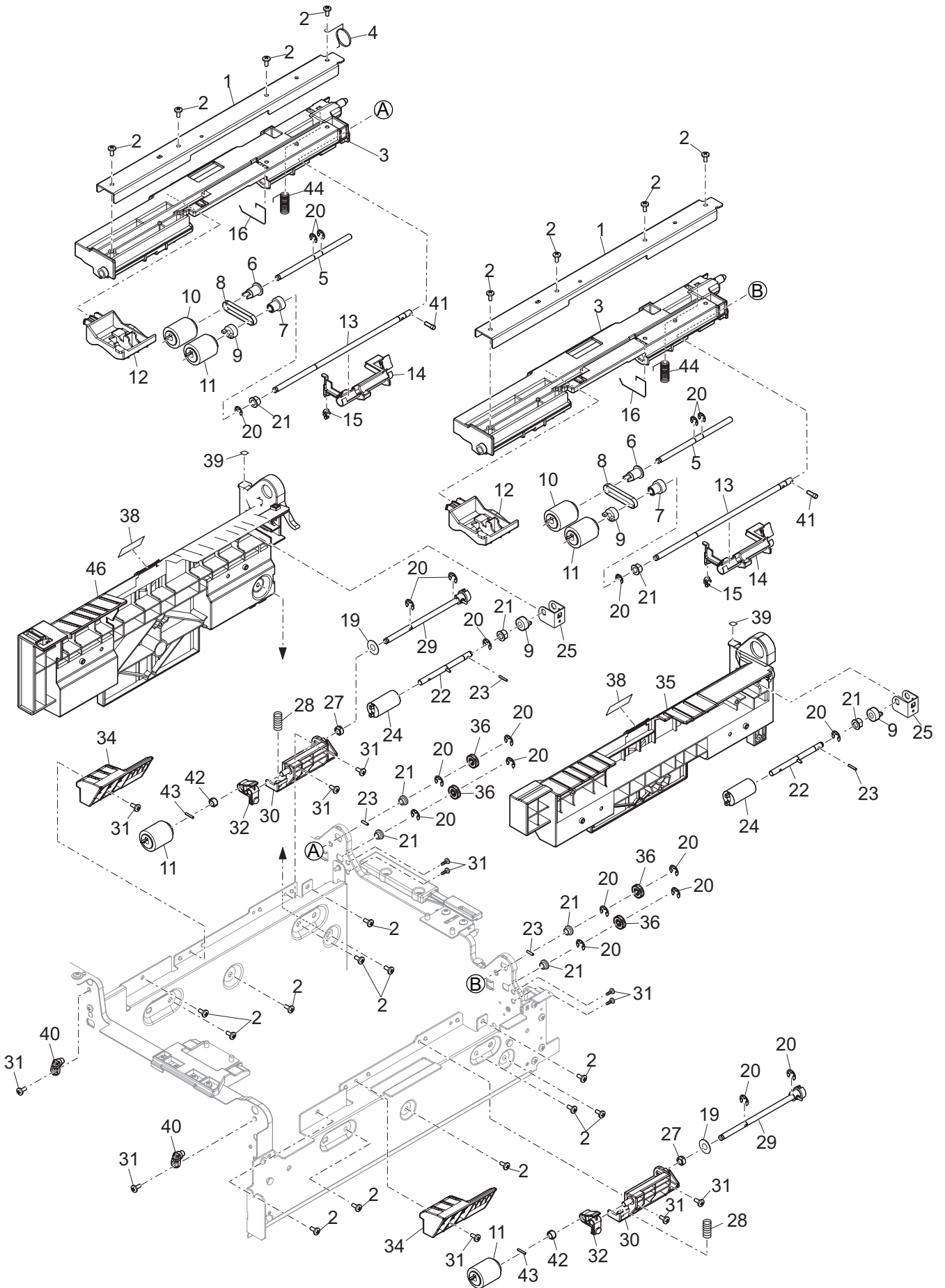
ITEM No.	PART No.	PART NAME	Q'TY / PAGE	Q'TY / PACK	REMARKS
901	6LS06789000	Scanner unit			



ITEM No.	PART No.	PART NAME	Q'TY / PAGE	Q'TY / PACK	REMARKS
1	6LS05410000	Mother board cover			
2	6LA58794400	Screw			
3	6LA58793200	Screw			
4	6LS05815000	Scanner right sheet			
5	6LS05882000	CCD FFC protect sheet			
6	6LS05884000	Fan harness protect sheet			
7	6LS05883000	Sensor harness protect sheet			
9	6LS05411000	Dustproof cover LB			
11	6LS05412000	Dustproof cover LF			
14	6LS06790000	Sensor			
15	6LS06791000	Original detect fixing plate			
16	6LS06166000	Photo sensor			
17	6LS03094000	Mirror HP sensor PWB			
21	6LS03523000	Lamp harness fixer A			
22	6LS05588000	Lamp harness guide A			
26	6LS05830000	Edge protect sheet			
27	6LS05917000	Optical bottom sheet A			
30	6LS06176000	Screw			
31	6LS04869000	Lock fan			
32	6LS03469000	CCD fan fixing angle			
34	6LS05919000	Optical right hole mylar B			
45	6LA58794800	Screw			
69	6LS05906000	FCC fixer sheet			

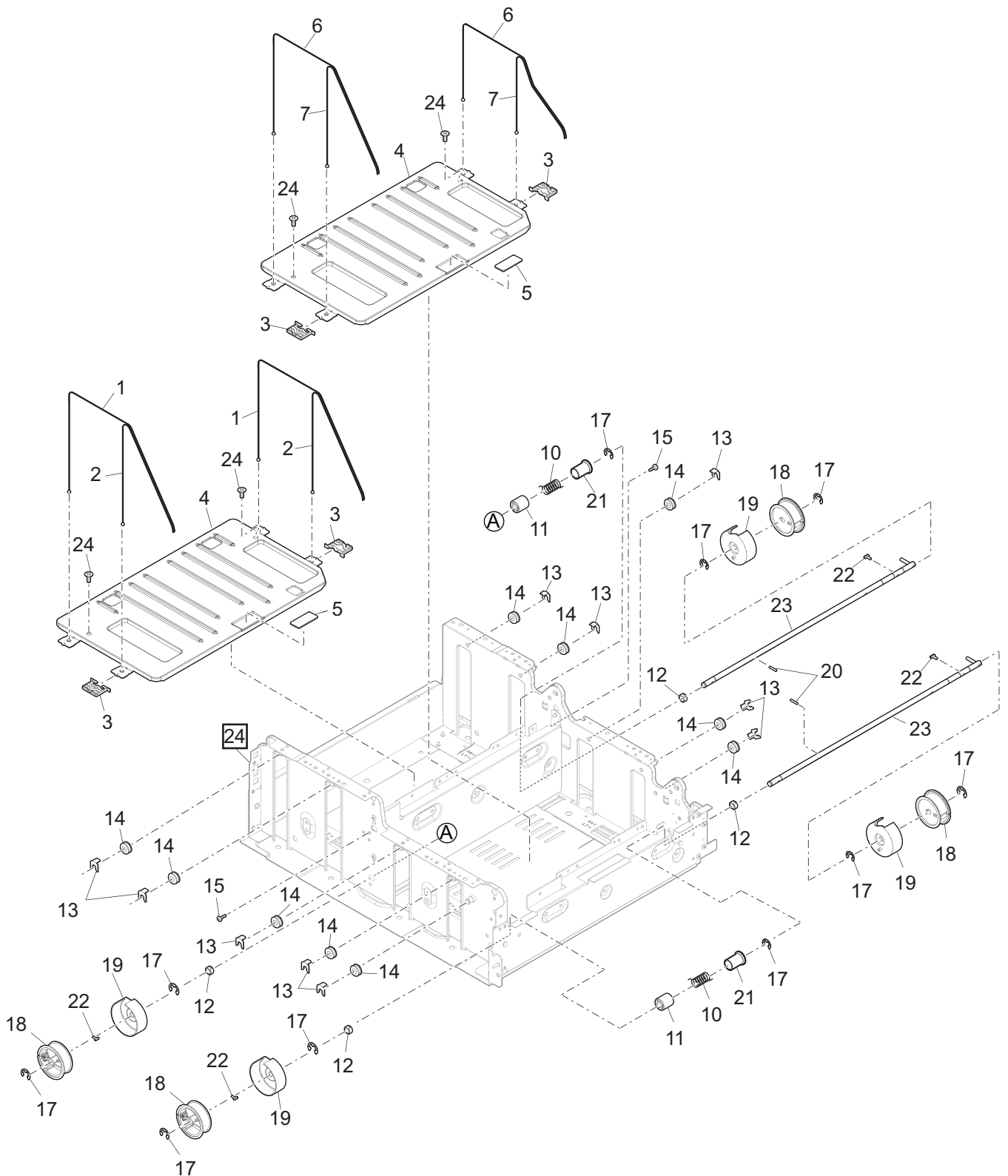


ITEM No.	PART No.	PART NAME	Q'TY / PAGE	Q'TY / PACK	REMARKS
1	6LS06520000	Tandem rear edge plate R			
4	6LS06521000	Tandem rear edge plate F			
6	6LA58794800	Screw			
7	6LS05386000	Tandem edge cover R			
8	6LS04105000	Tandem regulation plate R			
9	6LS06027000	Tandem regulation earth plate			
10	6LS06119000	Indication label			
11	6LS04310000	Screw			
12	6LS02991000	Off center regulation plate R			
14	6LS04104000	Tandem regulation plate L			
15	6LS03009000	Off center regulation plate F			
16	6LS05385000	Tandem edge cover F			
20	6LS06227000	Screw			
30	6LS05931000	Paper feed base sheet R			
31	6LS05930000	Paper feed base sheet F			
33	6LS05971000	Tandem front cover spacer right			
34	6LS05258000	Interface pass pressure collar shaft			
35	6LS04582000	Interface pass pressure spring			
36	6LS04825000	Bearing			
39	41330609600	E ring			
41	6LS05433000	Tandem edge cover			
42	6LS06105000	Size display card			
45	6LS06433000	Tandem front cabinet			
46	6LS03436000	Cassette inner cover			
47	6LS03437000	Cassette handle cover			
48	6LS03456000	Cassette handle			
49	6LS03737000	Spring pin			
50	6LS04373000	Screw			
51	6LS04436000	U cassette release arm			
52	6LS04500000	Cassette release lever			
53	6LS04639000	U cassette lock pawl spring			
54	6LS06792000	Bearing			
55	6LS05272000	Tandem lock shaft			
56	6LS05985000	U cassette lock pawl			
57	6LS05993000	Handle support tape			
58	6LA58793700	Screw			
60	6LS06250000	Washer			
901	6LS06595000	Tandem LCC cassette unit			(Include Block[22],[23],[24])

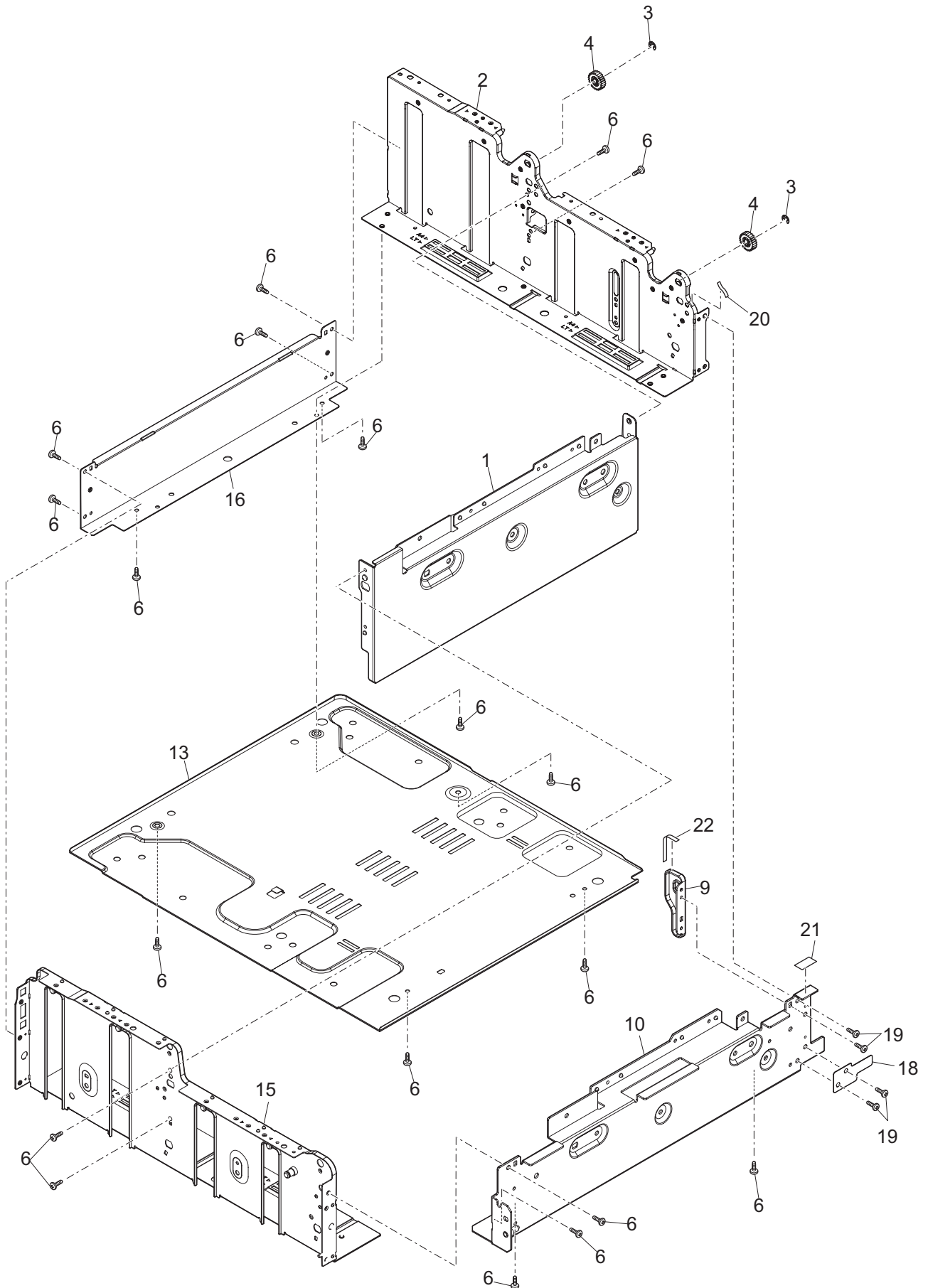




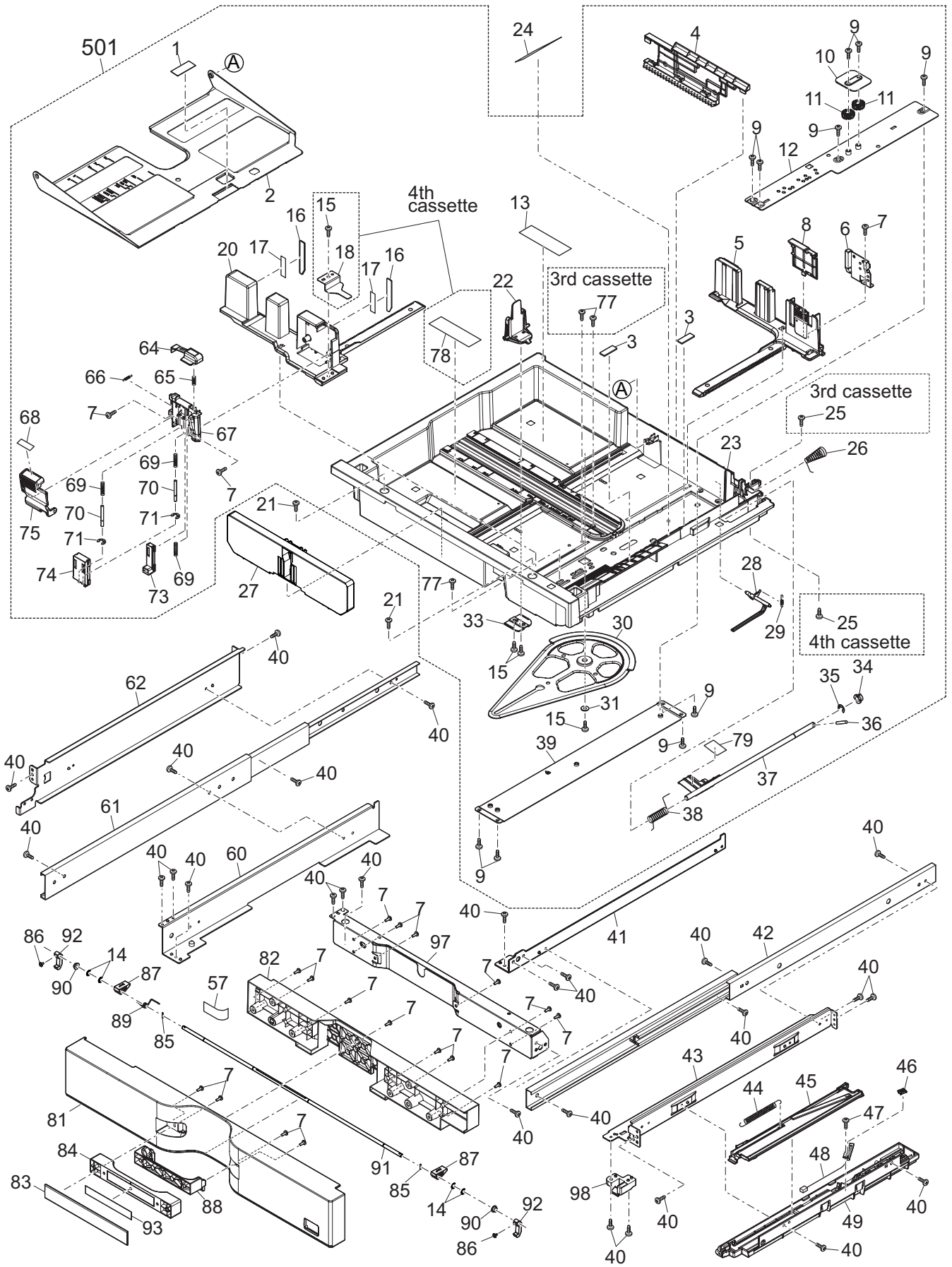
ITEM No.	PART No.	PART NAME	Q'TY / PAGE	Q'TY / PACK	REMARKS
1	6LS03808000	Paper feed paper guide upper reinforce plate			
2	6LA58793800	Screw			
3	6LS07030000	Tandem paper feed paper guide upper			
4	6LS04635000	Tandem paper feed upper paper guide return spring			
5	6LS05149000	Tandem pick up roller shaft			
6	6LS04998000	Pick up roller pulley			
7	6LS05016000	Paper feed roller pulley			
8	6LS04732000	Tandem paper feed belt			
9	6LS04858000	One way coupling			
10	6LS05051000	Pick up roller			
11	6LS05066000	Paper feed separate roller			
12	6LS05581000	Tandem support paper guide upper			
13	6LS05100000	Tandem paper feed roller shaft			
14	6LS04475000	PE actuator			
15	6LS03769000	PE protect plate			
16	6LS04614000	Paper guide upper earth spring			
19	6LS10191000	Poly slider			
20	41330609600	E ring			
21	6LA58751900	Bearing			
22	6LS06596000	Tandem separate drive shaft			
23	6LS03727000	Pin			
24	6LS05345000	Paper feed torque limiter			
25	6LS03820000	Separate shaft fixing plate			
27	6LS06765000	Bearing			
28	6LS04585000	Tandem separate pressure spring			
29	6LS06597000	Tandem separate roller shaft			
30	6LS03654000	Bearing holder			
31	6LA58794800	Screw			
32	6LS03655000	Rotation fulcrum			
34	6LS05580000	Tandem support paper guide lower			
35	6LS07031000	Tandem paper feed lower paper guide R			
36	6LS04885000	Pickup roller gear			
38	6LS05813000	Tandem separate sheet			
39	6LS05812000	SP protect sheet			
40	6LS03644000	Upper transport fulcrum holder			
41	6LS04276000	Drive joint stopper screw N			
42	6LS04786000	Bearing			
43	6LS03740000	Spring pin			
44	6LS04615000	Pick adjust spring			
46	6LS07032000	Tandem paper feed lower paper guide L			



ITEM No.	PART No.	PART NAME	Q'TY / PAGE	Q'TY / PACK	REMARKS
1	6LS06794000	Wire RB			
2	6LS06795000	Wire RA			
3	6LS05569000	Paper feed base guide			
4	6LS03494000	Paper feed base			
5	6LS05920000	Paper feed base sheet			
6	6LS06796000	Wire LB			
7	6LS06797000	Wire LA			
10	6LS04616000	Tray lift support spring			
11	6LS04405000	Spring lock arm			
12	6LS04778000	Bearing			
13	6LS04188000	Wire fixing stopper			
14	6LS05004000	Wire pulley 2000			
15	6LA58794800	Screw			
17	6LA58928000	E ring			
18	6LS05000000	Winder pulley			
19	6LS05372000	Winder pulley cover			
20	6LS03741000	Pin			
21	6LS04811000	Resin bearing			
22	6LS03733000	T type pin			
23	6LS06598000	Winder shaft			
24	6LS04278000	Step screw			



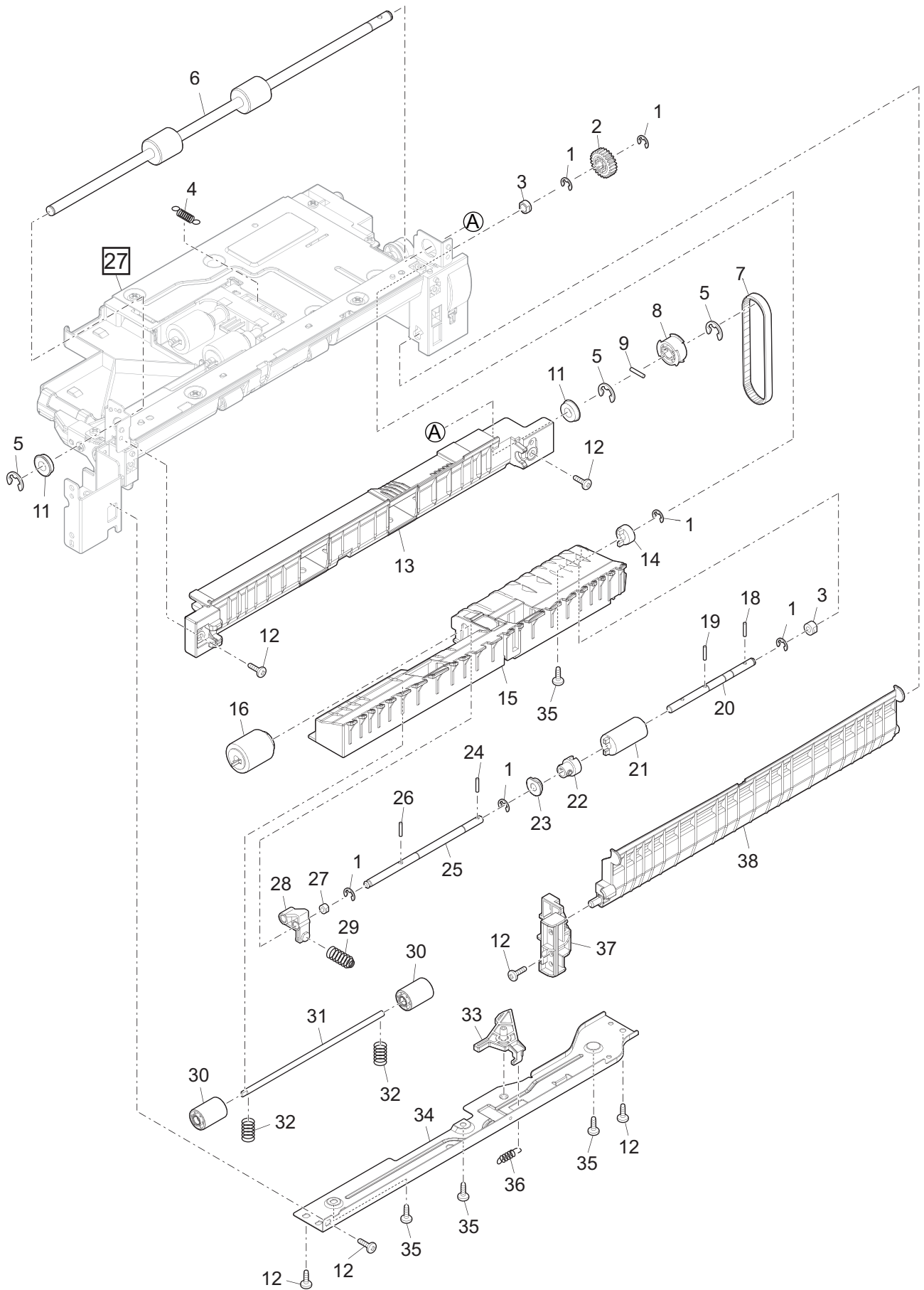
ITEM No.	PART No.	PART NAME	Q'TY / PAGE	Q'TY / PACK	REMARKS
1	6LS03807000	Paper feed lower paper guide L reinforce plate			
2	6LS02924000	Frame R			
3	41330609600	E ring			
4	6LS04884000	Pick up roller gear			
6	6LA58794800	Screw			
9	6LS03809000	T cassette positioning plate			
10	6LS03141000	Cassette right stay			
13	6LS03810000	Tandem bottom plate			
15	6LS02925000	Frame F			
16	6LS04199000	Cassette left stay			
18	6LS05942000	Edge protect sheet			
19	6LS04305000	Screw			
20	6LS05939000	Frame protect sheet			
21	6LS05940000	Stay protect sheet			
22	6LS05941000	Positioning protect sheet			



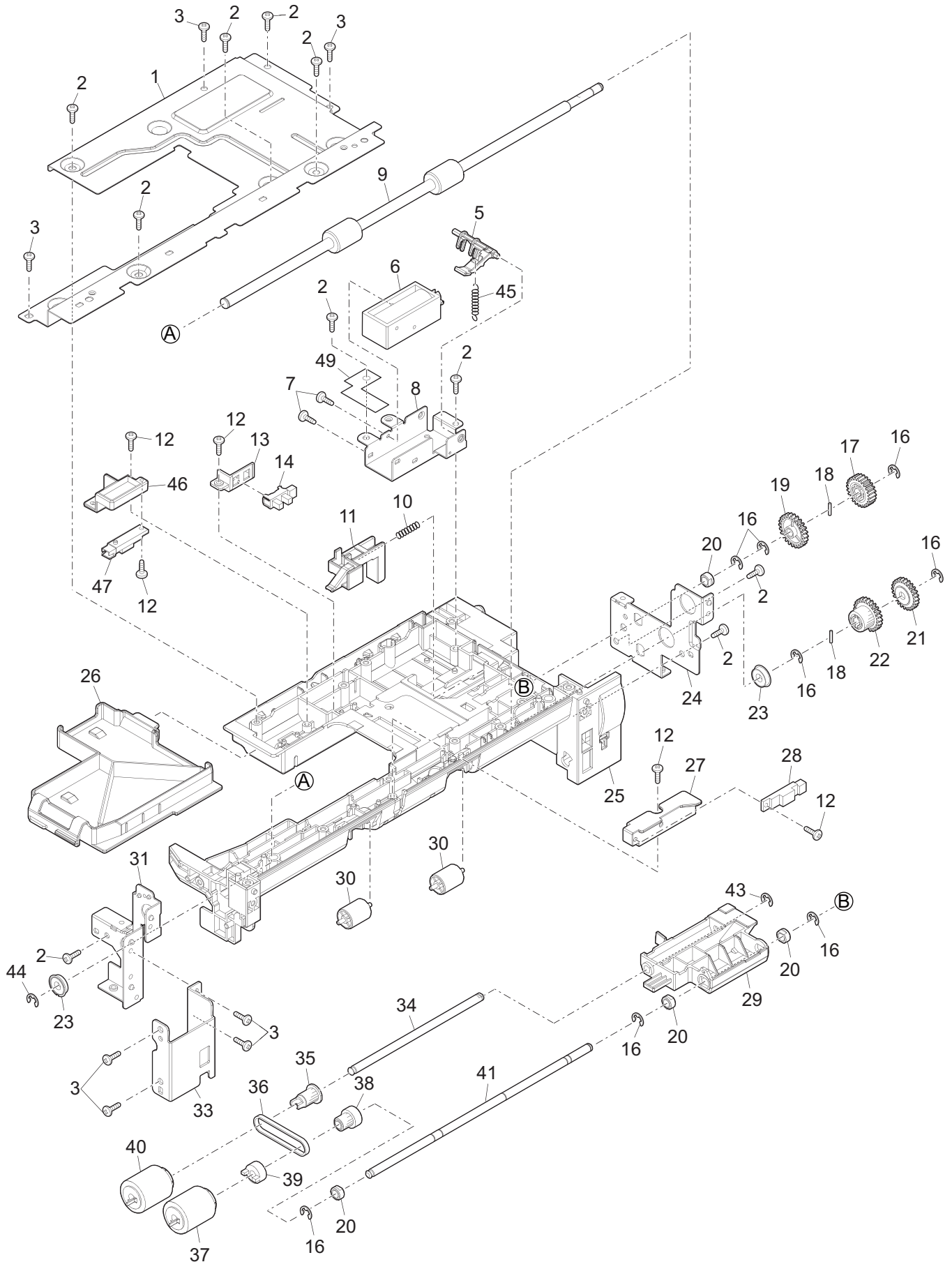
ITEM No.	PART No.	PART NAME	Q'TY / PAGE	Q'TY / PACK	REMARKS
1	6LS06317000	Rotation plate sheet			
2	6LS06798000	Rotation plate			
3	6LS05943000	Rotation damper sheet 2			
4	6LS04115000	Size detect plate			
5	6LS04128000	500 regulation plate R			
6	6LS03036000	Paper hold fixing plate			
7	6LA58793700	Screw			
8	6LS05413000	500 regulation plate R cover			
9	6LS06178000	Screw			
10	6LS03876000	Off-center gear fixing plate			
11	6LS04917000	Gear			
12	6LS03034000	Off-center adjust plate			
13	6LS06126000	Multi lock operation explanation label			
14	41330609600	E ring			
15	6LS04268000	Screw			
16	6LS03770000	Regulation plate			
17	6LS05987000	Side plate tape R			
18	6LS04455000	Width detect lever			
20	6LS04130000	500 regulation plate F			
21	6LS04330000	Blue screw			
22	6LS04108000	Rear edge plate			
23	6LS03418000	Cassette			
24	6LS05816000	Multi separate front sheet			
25	6LS04317000	Step screw			
26	6LS04589000	Cassette earth spring			
27	6LS06799000	Tab paper rear edge plate			
28	6LS04465000	Remain actuator			
29	6LS04607000	Remain actuator spring			
30	6LS04409000	Multi size detect arm			
31	6LS06250000	Washer			
33	6LS03676000	Rear edge plate holder			
34	6LS04807000	CG bearing			
35	6LA58928000	E ring			
36	6LS06239000	Spring pin			
37	6LS02995000	Lift plate			
38	6LS04606000	Lift plate silent spring			
39	6LS03035000	Off center fixing plate			
40	6LA58794800	Screw			
41	6LS03125000	Cassette rail R			
42	6LS04522000	Cassette slide rail R			
43	6LS03832000	Cassette slide fixing plate R			
44	6LS04678000	Width detect spring			
45	6LS03493000	Width detect fixing base			
46	6LS04403000	Width detect arm			
47	6LA58902000	Screw			
48	6LS03325000	Width detect volume			
49	6LS05334000	Width detect case lower			
57	6LS06105000	Size display card			
60	6LS03126000	Cassette rail L			
61	6LS04524000	Cassette slide rail L			
62	6LS03833000	Cassette slide fixing plate L			
64	6LS04482000	Multi lock lever			
65	6LS04560000	Multi lock lever spring			
66	6LS04694000	Side plate lock lever spring			
67	6LS05589000	Side plate lock guide			
68	6LS06128000	Side plate lock label			
69	6LS04559000	Side plate lock spring			
70	6LS05218000	Side plate lock shaft			
71	6LA58923000	E ring			
73	6LS04131000	Multi slide plate			
74	6LS04129000	Side plate slide plate			
75	6LS04481000	Side plate lock lever			
77	6LS06209000	Screw			

ITEM No.	PART No.	PART NAME	Q'TY / PAGE	Q'TY / PACK	REMARKS
78	6LS06133000	Tab paper explanation label			
79	6LS05951000	Lift plate sheet			
81	6LS06427000	Cassette front cabinet			
82	6LS03434000	Cassette inner cover			
83	6LS03437000	Cassette handle cover			
84	6LS03456000	Cassette handle			
85	6LS03737000	Spring pin			
86	6LS04373000	Screw			
87	6LS04436000	U cassette release arm			
88	6LS04500000	Cassette release lever			
89	6LS04639000	U cassette lock pawl spring			
90	6LS06792000	Bearing			
91	6LS05271000	O cassette lock shaft			
92	6LS05985000	U cassette lock pawl			
93	6LS05993000	Handle support tape			
97	6LS03582000	Cassette front plate			
98	6LS03516000	Cassette lock block			
501 A	6LS02899000	500 cassette unit			3rd cassette
501 B	6LS02900000	Multi cassette unit			4th cassette

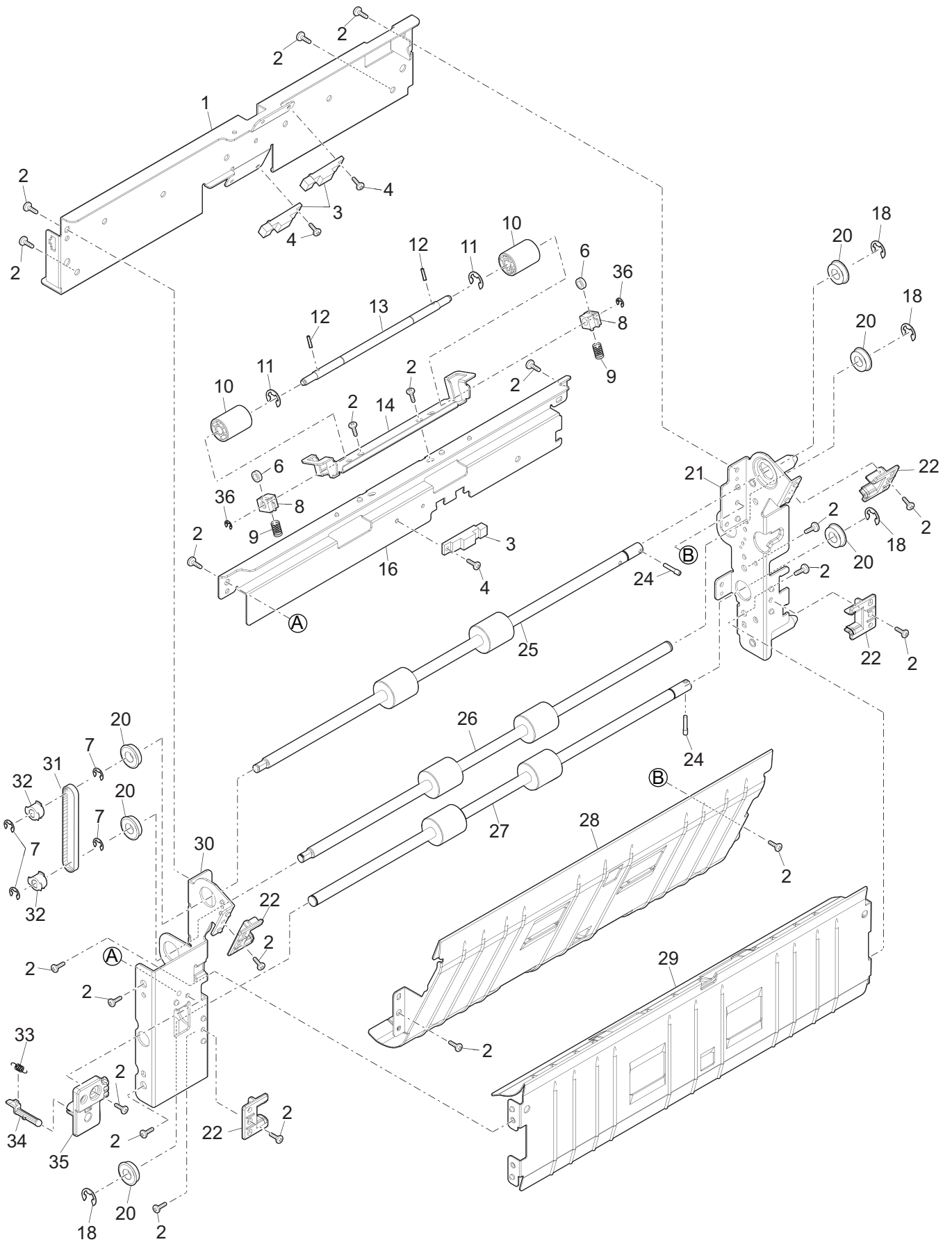




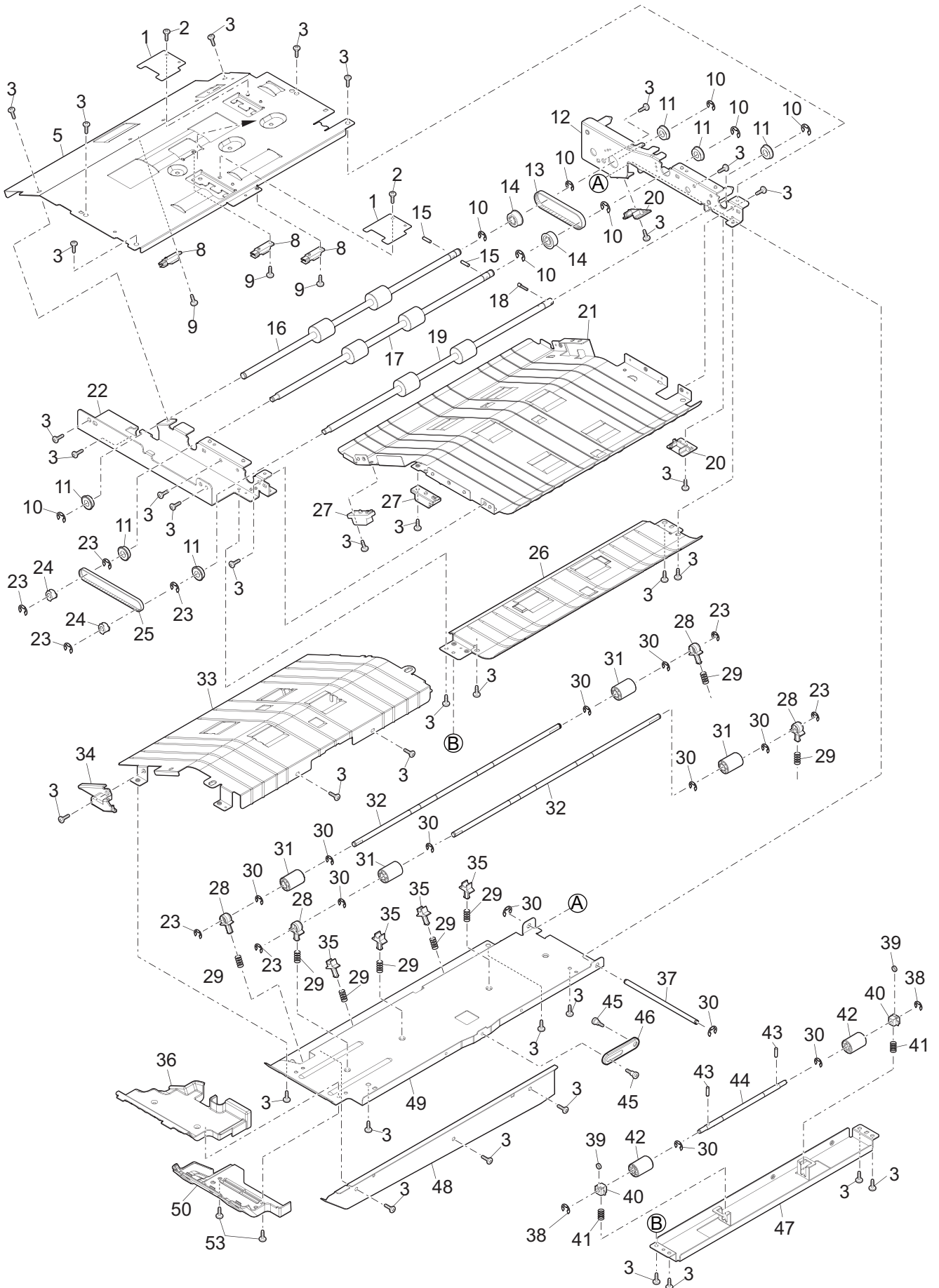
ITEM No.	PART No.	PART NAME	Q'TY / PAGE	Q'TY / PACK	REMARKS
1	41330609600	E ring			
2	6LS04914000	Paper feed gear			
3	6LS06765000	Bearing			
4	6LS04669000	Pick up pressure spring			
5	6LA58928000	E ring			
6	6LS05053000	Paper feed transport roller 4			
7	6LS04742000	Paper feed belt			
8	6LS05017000	Transport pulley 4			
9	6LS03741000	Pin			
11	6LS06487000	Bearing			
12	6LA58794800	Screw			
13	6LS07034000	Paper feed transport paper guide			
14	6LS04859000	One way coupling			
15	6LS05575000	Paper feed lower paper guide			
16	6LS05066000	Paper feed separate roller			
18	6LS03727000	Pin			
19	6LS03725000	Spring pin			
20	6LS05144000	Separate shaft C			
21	6LS05345000	Paper feed torque limiter			
22	6LS04856000	Separate coupling			
23	6LS06802000	Bearing			
24	6LS03739000	Spring pin			
25	6LS05145000	Separate shaft B			
26	6LS03740000	Spring pin			
27	6LS04786000	Bearing			
28	6LS03647000	Separate fulcrum			
29	6LS04586000	Paper feed separate pressure spring			
30	6LS05039000	Transport follower roller			
31	6LS05115000	Right door follower shaft			
32	6LS04539000	Transport follower spring			
33	6LS04110000	Separate pressure release plate			
34	6LS03772000	Paper feed lower paper guide reinforce plate			
35	6LA58793700	Screw			
36	6LS04659000	Pressure release spring			
37	6LS04810000	Movable paper guide bearing			
38	6LS05576000	PF movable paper guide lower			
901	6LS06599000	Paper feed unit			(Include Block[27])



ITEM No.	PART No.	PART NAME	Q'TY / PAGE	Q'TY / PACK	REMARKS
1	6LS03771000	Paper feed upper paper guide reinforce plate			
2	6LA58793700	Screw			
3	6LA58794800	Screw			
5	6LS04416000	Paper feed solenoid arm			
6	6LS06098000	Paper feed solenoid			
7	6LA58792000	Screw			
8	6LS03811000	Paper feed solenoid plate			
9	6LS05054000	Transport roller 3			
10	6LS04669000	Pick up pressure spring			
11	6LS04498000	Pick up release lever			
12	6LA58793200	Screw			
13	6LS06616000	Multi sensor fixing plate			
14	6LS06158000	Photo sensor			
16	41330609600	E ring			
17	6LS04914000	Paper feed gear			
18	6LS03727000	Pin			
19	6LS05353000	Drive collar			
20	6LS06765000	Bearing			
21	6LS04922000	1way gear			
22	6LS05018000	Transport pulley 3			
23	6LS06487000	Bearing			
24	6LS03541000	Paper feed R frame			
25	6LS07033000	Paper feed upper paper guide			
26	6LS05627000	Paper feed paper guide F			
27	6LS04116000	Sensor fixing plate			
28	6LS06162000	Photo sensor			
29	6LS03702000	Pick up holder			
30	6LS05035000	Follower roller			
31	6LS03542000	Paper feed F frame			
33	6LS03817000	Paper feed fixing plate			
34	6LS05112000	Pick up shaft			
35	6LS04998000	Pick up roller pulley			
36	6LS04736000	Belt			
37	6LS05066000	Paper feed separate roller			
38	6LS05016000	Paper feed roller pulley			
39	6LS04858000	One way coupling			
40	6LS05051000	Pick up roller			
41	6LS05143000	Paper feed shaft			
43	41330609500	E ring			
44	6LA58928000	E ring			
45	6LS04661000	Pick up solenoid spring			
46	6LS04134000	PE sensor fixing plate			
47	6LS06163000	Sensor			
49	6LS05837000	Solenoid harness protect sheet			

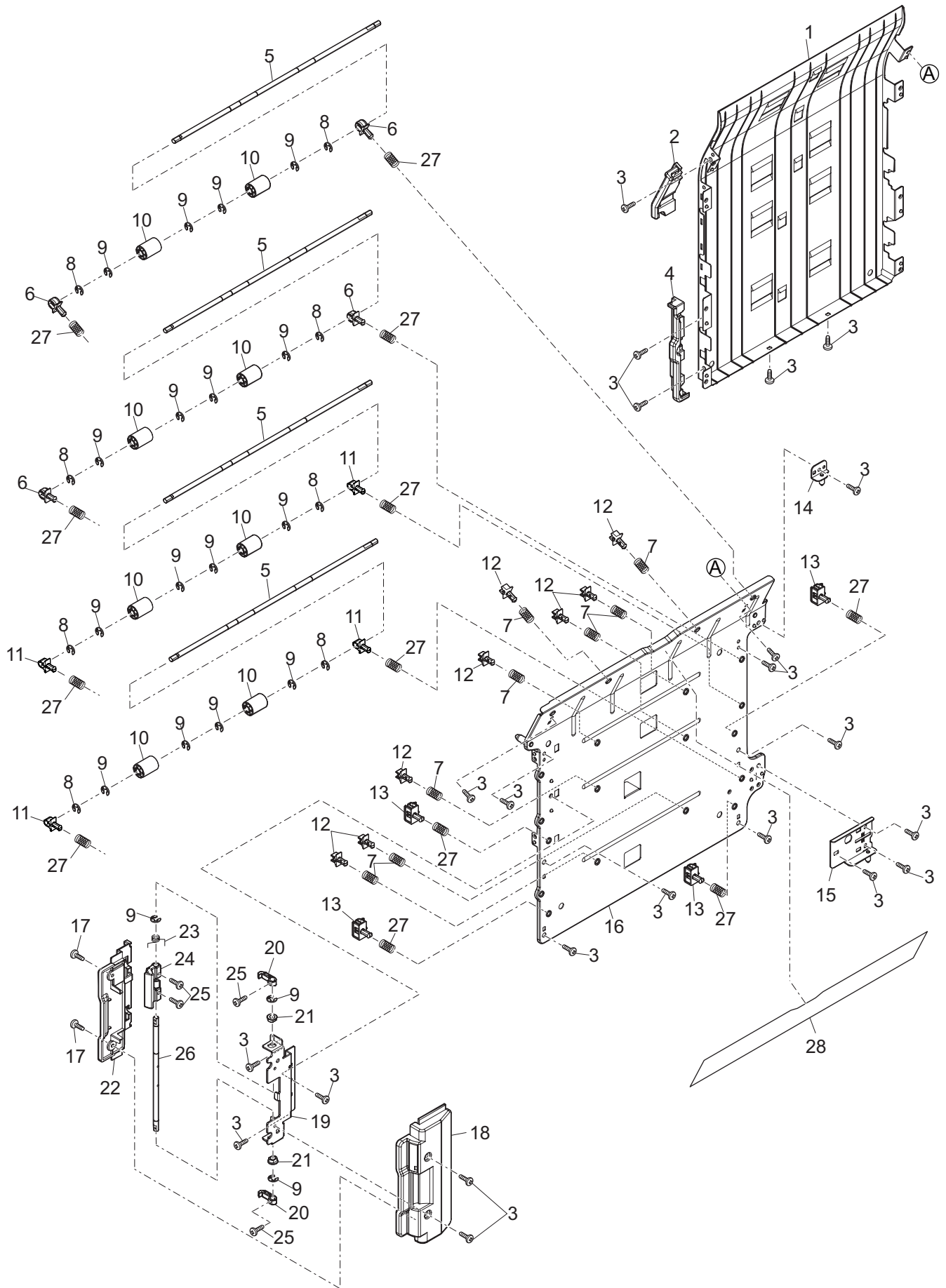


ITEM No.	PART No.	PART NAME	Q'TY / PAGE	Q'TY / PACK	REMARKS
1	6LS03864000	Vertical transport paper guide reinforce plate			
2	6LA58794800	Screw			
3	6LS06162000	Photo sensor			
4	6LA58792100	Screw			
6	6LS06679000	Ball bearing			
7	41330609500	E ring			
8	6LS04815000	PS front follower bearing			
9	6LS04551000	PS front pressure spring			
10	6LS05042000	ADU follower roller			
11	41330609600	E ring			
12	6LS03745000	Spring pin			
13	6LS05256000	Vertical transport follower collar shaft			
14	6LS03987000	Vertical transport follower roller guide plate			
16	6LS03865000	Vertical transport follower roller fixing plate			
18	6LA58928000	E ring			
20	6LS06487000	Bearing			
21	6LS02938000	Vertical transport frame R			
22	6LS03669000	Follower roller bearing holder			
24	6LS04361000	Screw			
25	6LS05058000	Vertical transport roller upper			
26	6LS05059000	Vertical transport reinforce roller			
27	6LS05060000	Vertical transport roller lower			
28	6LS05514000	Vertical transport paper guide upper			
29	6LS05515000	Vertical transport paper guide lower			
30	6LS03563000	Vertical transport frame F			
31	6LS04747000	Belt			
32	6LS05007000	Pulley			
33	6LS04660000	ADU gate return spring			
34	6LS04462000	Open/close detect actuator			
35	6LS03499000	Vertical transport door lock block			
36	6LA58923000	E ring			
901	6LS06600000	Vertical transport unit			

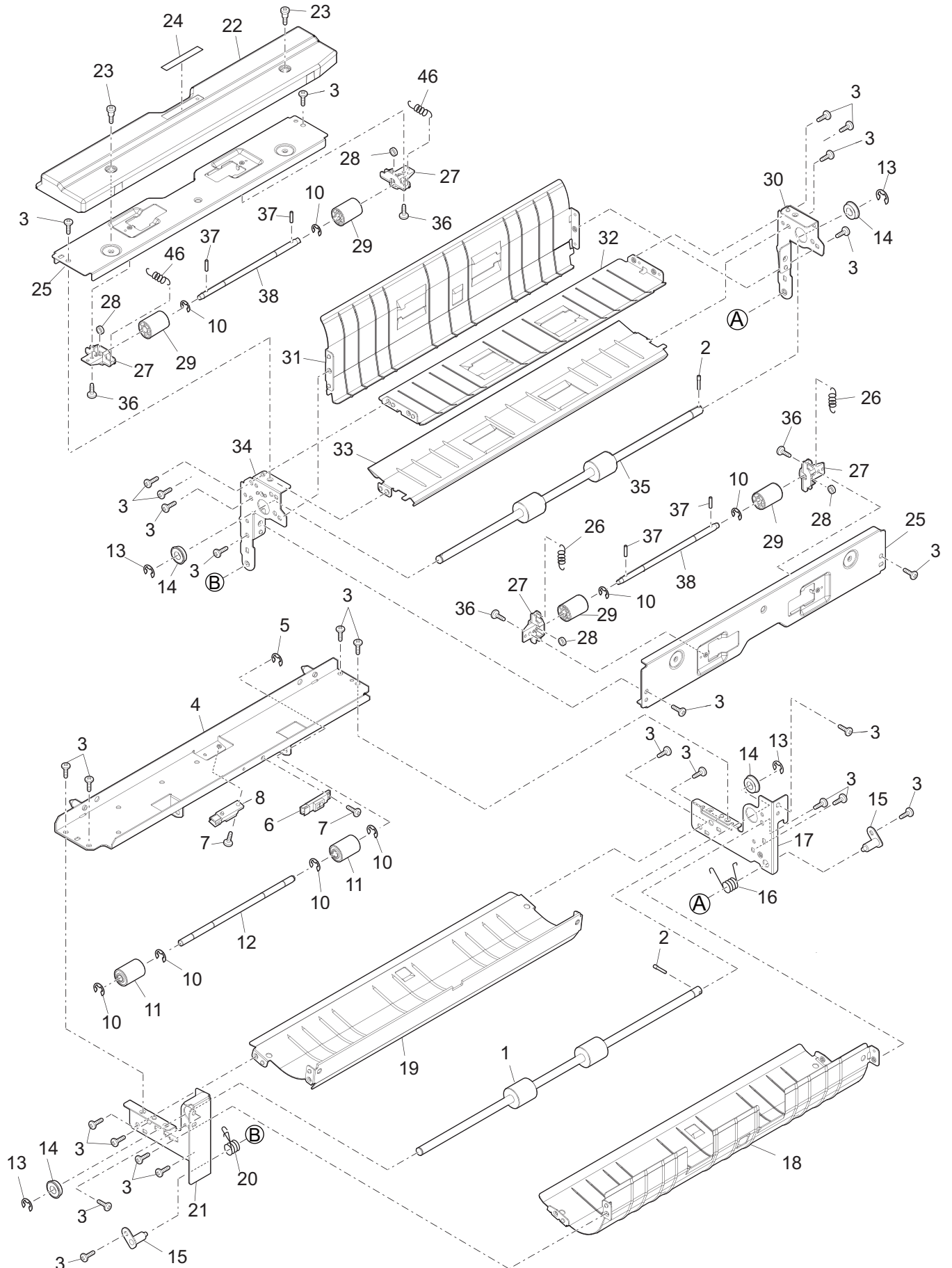


ITEM No.	PART No.	PART NAME	Q'TY / PAGE	Q'TY / PACK	REMARKS
1	6LS05827000	Harness guide sheet			
2	6LA58794400	Screw			
3	6LA58794800	Screw			
5	6LS05406000	Interface pass upper cover			
8	6LS06164000	Photo sensor			
9	6LA58792100	Screw			
10	6LA58928000	E ring			
11	6LS06487000	Bearing			
12	6LS02939000	Interface pass frame R			
13	6LS04748000	Belt			
14	6LS04996000	Pulley			
15	6LS03729000	Pin			
16	6LS05063000	Interface pass transport roller 1			
17	6LS05064000	Interface pass transport roller 2			
18	6LS04361000	Screw			
19	6LS05065000	Interface pass transport roller 3			
20	6LS03669000	Follower roller bearing holder			
21	6LS02963000	Interface pass PG upper			
22	6LS03568000	Interface pass frame F			
23	41330609500	E ring			
24	6LS05007000	Pulley			
25	6LS04749000	Belt			
26	6LS05522000	Interface pass delivery paper guide lower			
27	6LS03687000	LCC follower roller bearing holder			
28	6LS03671000	Follower roller shaft holder			
29	6LS04528000	Transport collar pressure spring			
30	41330609600	E ring			
31	6LS05036000	Transport follower roller			
32	6LS05216000	Interface pass follower shaft			
33	6LS05521000	Interface pass paper guide lower			
34	6LS05457000	Interface pass paper guide lower cover left			
35	6LS03697000	Follower shaft pressure holder			
36	6LS05408000	Interface pass paper guide lower cover upper			
37	6LS05215000	Interface pass paper guide lower fulcrum shaft			
38	6LA58923000	E ring			
39	6LS06679000	Ball bearing			
40	6LS04815000	PS front follower bearing			
41	6LS04551000	PS front pressure spring			
42	6LS05042000	ADU follower roller			
43	6LS03745000	Spring pin			
44	6LS05256000	Vertical transport follower collar shaft			
45	6LS04288000	Screw			
46	6LS04182000	Open/close left paper guide stopper			
47	6LS03870000	Interface pass follower roller fixing plate			
48	6LS03869000	Interface pass paper guide lower lift plate			
49	6LS03868000	Interface pass paper guide lower reinforce plate			
50	6LS05407000	Interface pass paper guide lower cover lower			
53	6LA58793700	Screw			
901	6LS06601000	Interface pass unit			

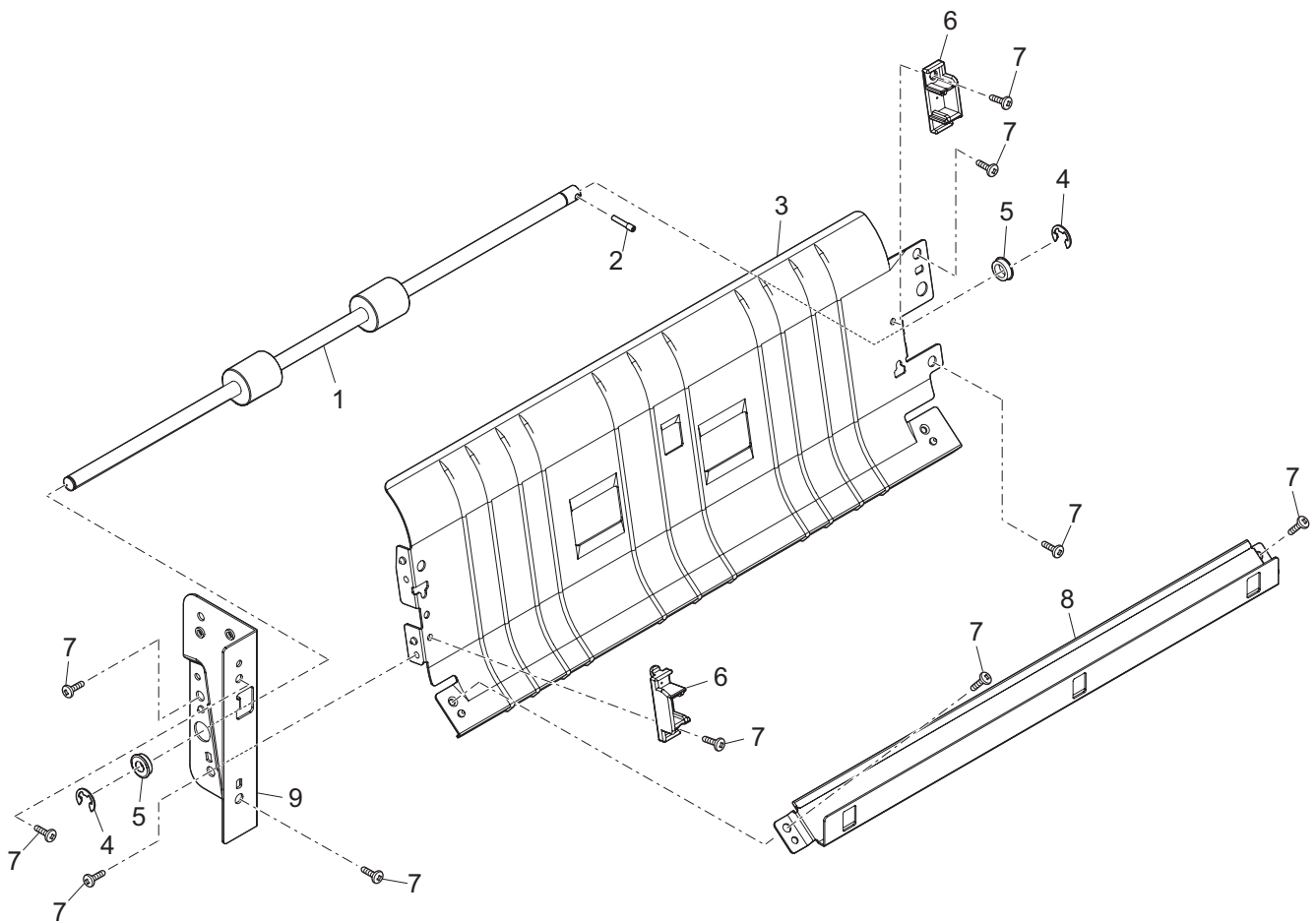




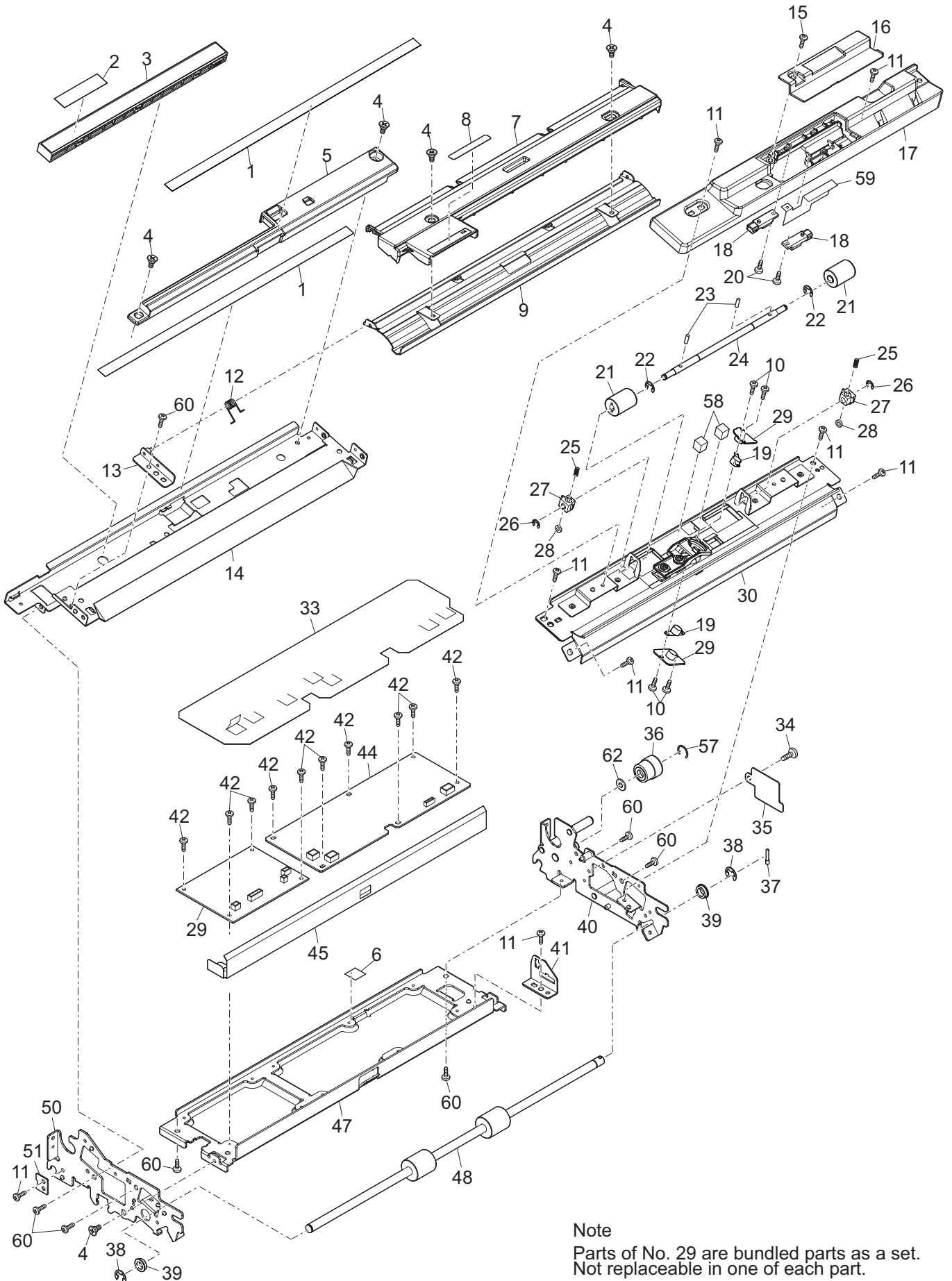
ITEM No.	PART No.	PART NAME	Q'TY / PAGE	Q'TY / PACK	REMARKS
1	6LS05516000	Vertical transport open/close paper guide			
2	6LS05403000	Vertical transport door cover upper			
3	6LA58794800	Screw			
4	6LS05404000	Vertical transport door cover lower			
5	6LS05213000	Vertical transport follower shaft			
6	6LS03671000	Follower roller shaft holder			
7	6LS04528000	Transport collar pressure spring			
8	41330609500	E ring			
9	41330609600	E ring			
10	6LS05036000	Transport follower roller			
11	6LS04799000	Collar follower bearing			
12	6LS03697000	Follower shaft pressure holder			
13	6LS03670000	Paper guide fixing holder			
14	6LS03027000	Vertical transport door fulcrum plate upper			
15	6LS03026000	Vertical transport door fulcrum plate			
16	6LS03025000	Vertical transport door reinforce plate			
17	6LA58793700	Screw			
18	6LS05401000	Vertical transport door cover right			
19	6LS03866000	Vertical transport lock lever fixing plate			
20	6LS05979000	Vertical transport door lock pawl			
21	41330533200	Bearing			
22	6LS05402000	Vertical transport door cover left			
23	6LS04621000	Vertical transport lock spring			
24	6LS04479000	Vertical transport paper guide release lever			
25	6LA58792100	Screw			
26	6LS05212000	Vertical transport door lock shaft			
27	6LS04587000	Follower roller shaft holder			
28	6LS05873000	Vertical transport door protect sheet			
901	6LS06602000	Vertical transport door unit			



ITEM No.	PART No.	PART NAME	Q'TY / PAGE	Q'TY / PACK	REMARKS
1	6LS05061000	Upper transport roller			
2	6LS04361000	Screw			
3	6LA58794800	Screw			
4	6LS03028000	Upper transport positioning plate			
5	41330609500	E ring			
6	6LS06163000	Sensor			
7	6LA58792100	Screw			
8	6LS06164000	Photo sensor			
10	41330609600	E ring			
11	6LS05036000	Transport follower roller			
12	6LS05214000	Upper transport follower collar shaft			
13	6LA58928000	E ring			
14	6LS06487000	Bearing			
15	6LS03029000	Upper transport open/close PG fulcrum plate			
16	6LS04623000	Open/close paper guide spring R			
17	6LS03565000	Upper transport frame R			
18	6LS05519000	Upper transport ADU paper feed paper guide upper			
19	6LS05520000	Upper transport ADU paper feed paper guide lower			
20	6LS04622000	Open/close paper guide spring F			
21	6LS03564000	Upper transport frame F			
22	6LS05405000	Upper transport paper guide cover			
23	6LS04289000	ACC fixing step Screw			
24	6LS06125000	Green label			
25	6LS03867000	Upper transport follower roller fixing plate			
26	6LS04703000	ADU follower roller pressure spring			
27	6LS03691000	ADU follower shaft bearing holder			
28	6LS06679000	Ball bearing			
29	6LS05042000	ADU follower roller			
30	6LS03567000	Upper transport open/close frame R			
31	6LS05518000	Upper transport open/close paper guide			
32	6LS05517000	Upper transport paper guide upper			
33	6LS05566000	Upper transport paper guide lower			
34	6LS03566000	Upper transport open/close frame F			
35	6LS05062000	LCC transport roller 2			
36	6LA58794400	Screw			
37	6LS03745000	Spring pin			
38	6LS05257000	Upper transport follower shaft			
46	6LS04726000	Upper transport follower pressure spring			
901	6LS03342000	Upper transport unit			



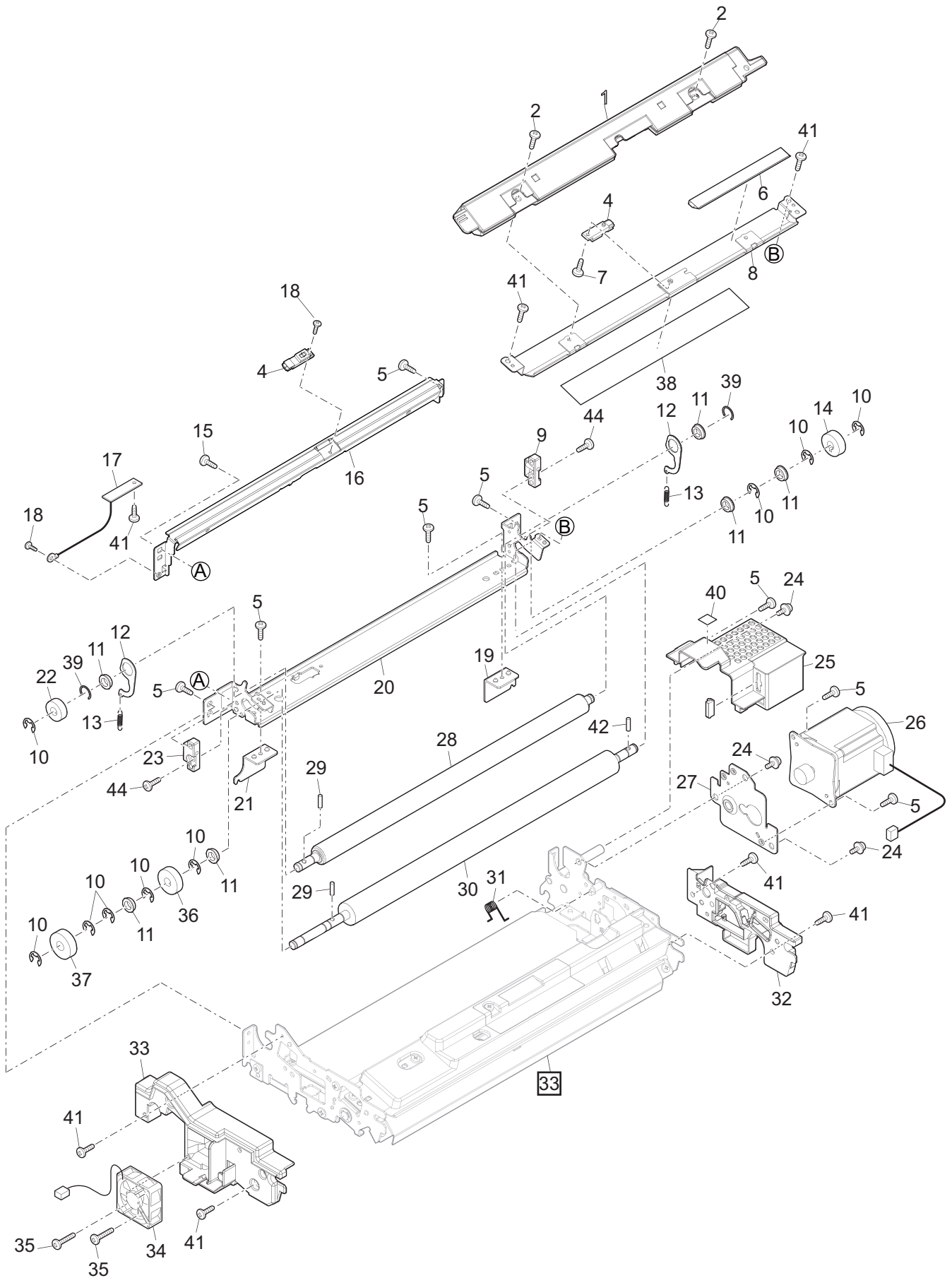




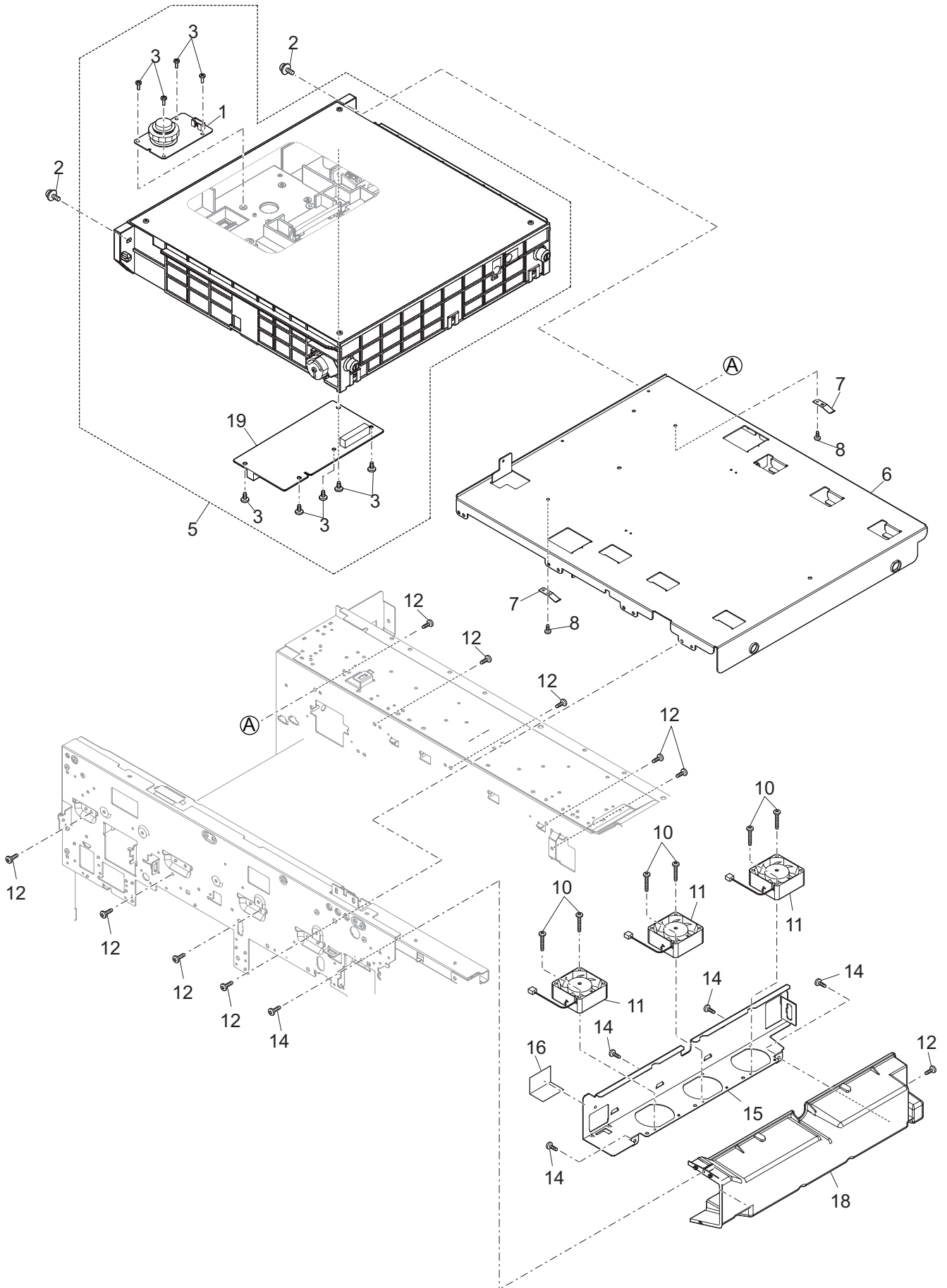
Note  
Parts of No. 29 are bundled parts as a set.  
Not replaceable in one of each part.

ITEM No.	PART No.	PART NAME	Q'TY / PAGE	Q'TY / PACK	REMARKS
1	6LS05819000	PS sheet			
2	6LS05818000	CIS white sheet			
3	6LS03326000	PED CIS unit			
4	6LS04346000	L pulley step screw N			
5	6LS05597000	PS lower support paper guide			
6	6LA58706900	Optical bottom sheet			
7	6LS05430000	PS open/close paper guide cover			
8	6LS06125000	Green label			
9	6LS05528000	PS open/close paper guide			
10	6LS06185000	Screw			
11	6LA58794800	Screw			
12	6LS04617000	PS open/close paper guide spring F			
13	6LS03043000	PS open/close fulcrum plate			
14	6LS05526000	PS lower paper guide			
15	6LS06210000	Screw			
16	6LS05432000	Double feed sensor cover			
17	6LS05429000	PPD sensor cover			
18	6LS06164000	Photo sensor			
19	6LS06769000	DFS shield sheet			
20	6LA58793200	Screw			
21	6LS05042000	ADU follower roller			
22	41330609600	E ring			
23	6LS03745000	Spring pin			
24	6LS05161000	PS front follower roller shaft			
25	6LS04551000	PS front pressure spring			
26	41330609500	E ring			
27	6LS04815000	PS front follower bearing			
28	6LS06679000	Ball bearing			
29	6LS06770000	DF sensor PWB			Code for service only
30	6LS06811000	PS front upper paper guide			
33	6LS05852000	Double feed PWB protect dustproof sheet			
34	6LS06180000	Screw			
35	6LS03914000	Harness separate plate			
36	6LS04961000	PS idle gear			
37	6LS04361000	Screw			
38	6LA58928000	E ring			
39	6LS06678000	Bearing			
40	6LS02947000	PS frame R			
41	6LS03913000	Connector lock plate			
42	6LA58792100	Screw			
44	6LS06813000	PED-CIS PWB			
45	6LS05817000	Interface harness protect sheet			
47	6LS06814000	PS frame			
48	6LS05056000	PS front roller			
50	6LS03573000	PS frame F			
51	6LS03918000	PS frame F reinforce plate			
57	6LS05767000	Crescent ring			
58	6LS05729000	PS sensor cushion			
59	6LS05867000	PS sensor sheet			
60	6LA58792300	Screw			
62	6LS04387000	Washer			

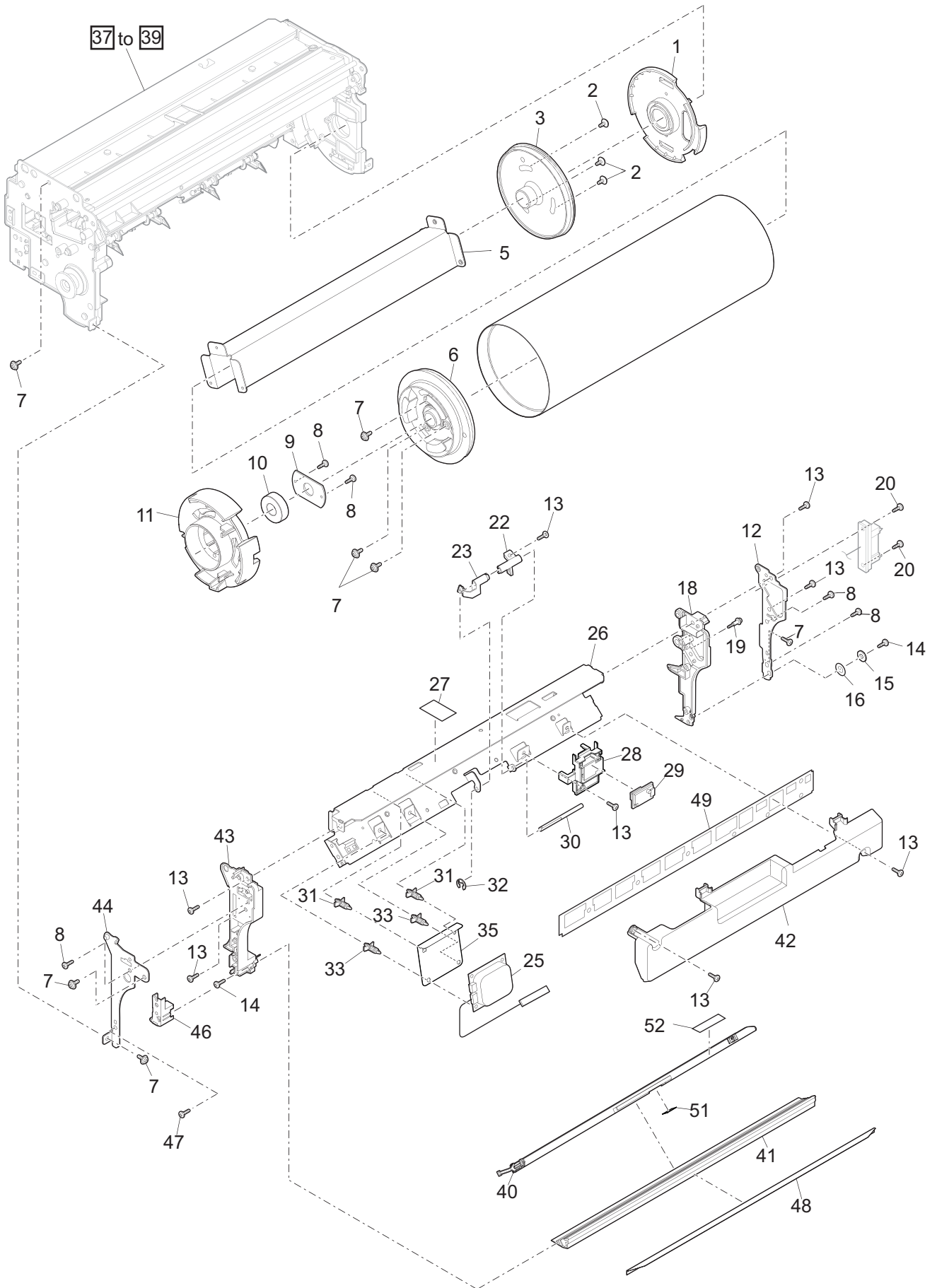




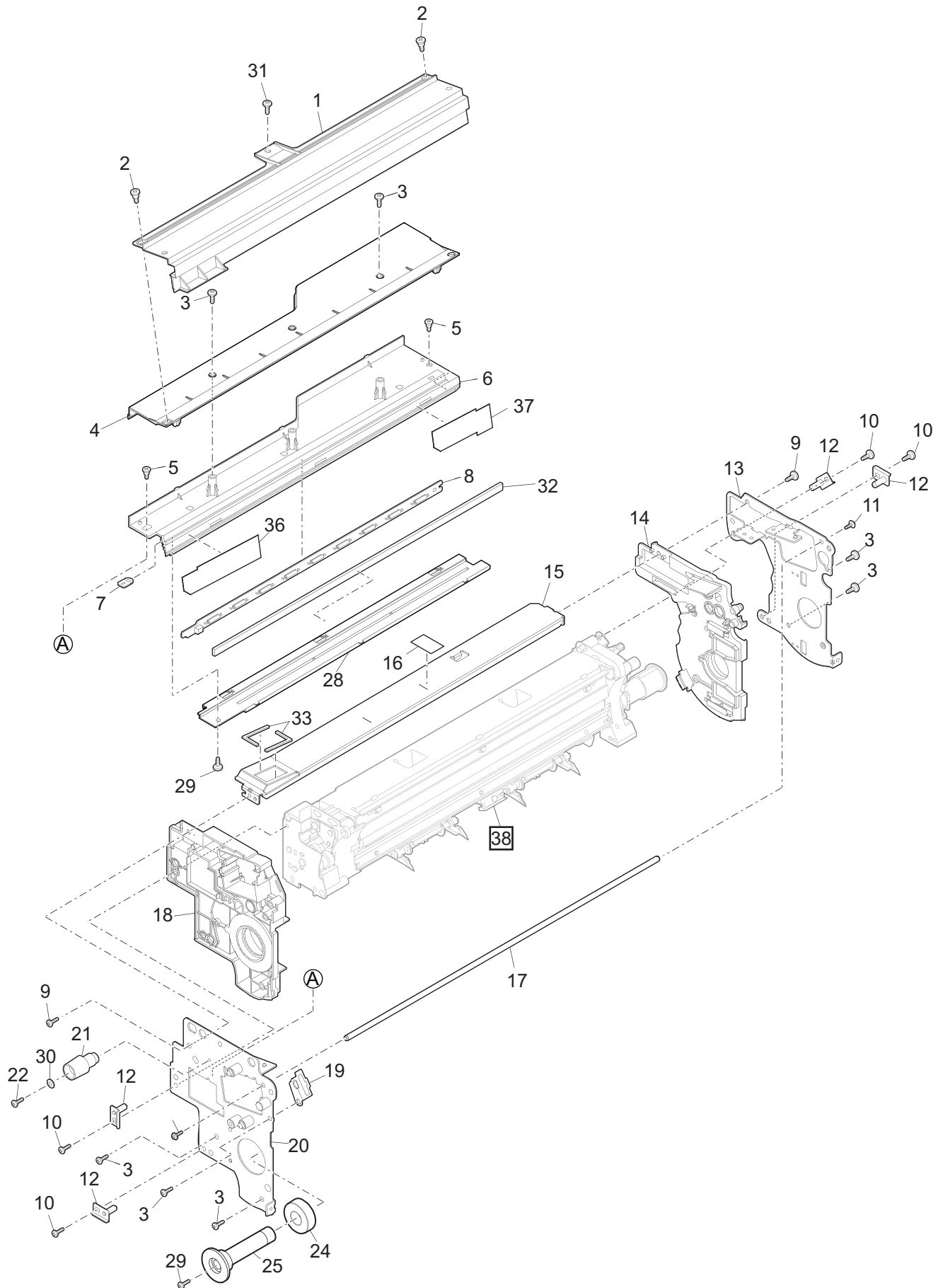
ITEM No.	PART No.	PART NAME	Q'TY / PAGE	Q'TY / PACK	REMARKS
1	6LS06815000	Paper dust remove case			
2	6LS04360000	Step screw			
4	6LS06164000	Photo sensor			
5	6LA58794800	Screw			
6	6LS05821000	Harness cover sheet			
7	6LA58792100	Screw			
8	6LS05525000	PS upper paper guide			
9	6LS03502000	PS front paper guide fixing block R			
10	6LA58928000	E ring			
11	6LS06678000	Bearing			
12	6LS04458000	PS pressure lever			
13	6LS04682000	PS pressure spring			
14	6LS04960000	PS drive gear			
15	6LS06210000	Screw			
16	6LS05550000	Transfer front paper guide			
17	6LS03091000	High voltage resistor PWB			
18	6LA58794400	Screw			
19	6LS03917000	PS pressure plate R			
20	6LS03574000	PS shift frame			
21	6LS03916000	PS pressure plate F			
22	6LS04967000	PS follower gear			
23	6LS03501000	PS front paper guide fixing block F			
24	6LS06194000	Screw			
25	6LS05428000	PSM cover			
26	6LS06077000	PS motor			
27	6LS03915000	PS motor fixing plate			
28	6LS05029000	PS follower roller			
29	6LS03729000	Pin			
30	6LS05055000	PS roller			
31	6LS04618000	PS open/close paper guide spring R			
32	6LS04133000	Harness interface plate			
33	6LS05431000	PSF cover			
34	6LS04869000	Lock fan			
35	6LA58793600	Screw			
36	6LS04968000	PS gear			
37	6LS04966000	PS drive one way gear			
38	6LS05820000	CISBG sheet			
39	6LS05767000	Crescent ring			
40	6LS06120000	High temperature mark label			
41	6LA58792300	Screw			
42	6LS06238000	Spring pin			
44	6LS06227000	Screw			
901	6LS06817000	PS roller unit			



ITEM No.	PART No.	PART NAME	Q'TY / PAGE	Q'TY / PACK	REMARKS
1	6LS06073000	Polygon motor			
2	6LS06233000	Screw			
3	6LA58793200	Screw			
5 A	6LS06818000	LSU			e-STUDIO1058
5 B	6LS06819000	LSU			e-STUDIO1208
6	6LS04008000	LSU top plate			
7	6LS04651000	LSU earth plate			
8	6LS06219000	Screw			
10	6LS06197000	Screw			
11	6LS04874000	Radiate fan			
12	6LA58794800	Screw			
14	6LA58793700	Screw			
15	6LS03886000	Intake duct reinforce plate			
16	6LS05908000	Exhaust duct sheet			
18	6LS06672000	Process intake duct			
19	6LS06820000	LSU Control PWB			

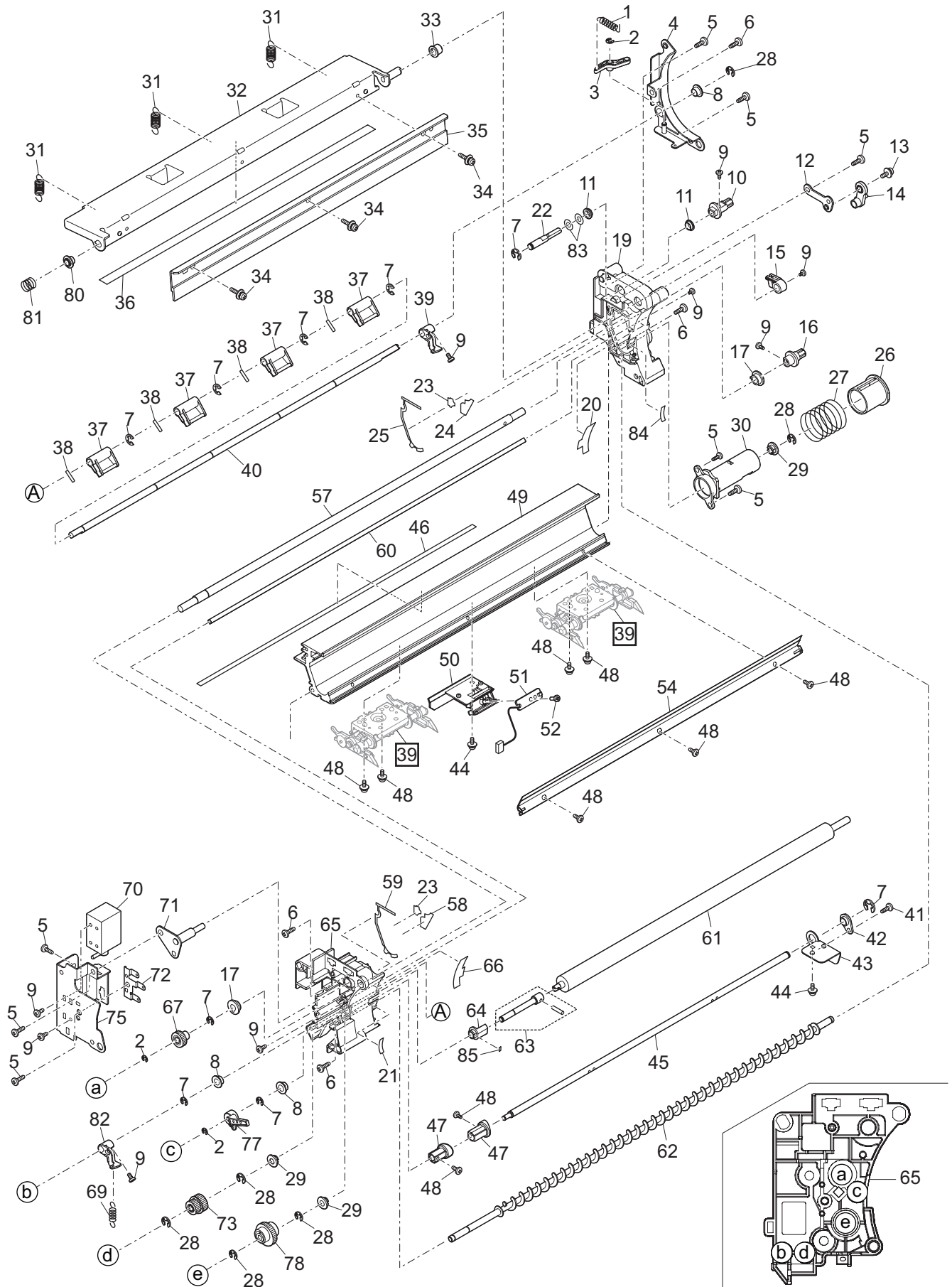


ITEM No.	PART No.	PART NAME	Q'TY / PAGE	Q'TY / PACK	REMARKS
1	6LS03723000	Drum outer flange R			
2	6LS06194000	Screw			
3	6LS03721000	Drum flange R			
5	6LS04216000	Drum flange fixing stay			
6	6LS03720000	Drum flange F			
7	6LS04349000	Screw			
8	6LA58793700	Screw			
9	6LS03893000	DSD flange bearing fixing plate			
10	6LS04845000	Drum shaft bearing			
11	6LS03722000	Drum outer flange F			
12	6LS03849000	CL sub frame R reinforce plate			
13	6LA58794800	Screw			
14	6LA58895000	Screw			
15	6LS06249000	Washer			
16	6LS05649000	High voltage transistor gum			
18	6LS03559000	CL sub frame R			
19	6LS04281000	Step screw			
20	6LA58793400	Screw			
22	6LS03659000	Electrometer holder A			
23	6LS03660000	Electrometer holder B			
25	6LS03327000	DR surface electric potential sensor			
26	6LS04205000	Process stay R			
27	6LS06134000	Green label			
28	6LS03707000	Humidity sensor holder			
29	6LS06055000	Humidity sensor			
30	6LS05206000	Electrometer fulcrum shaft			
31	6LS04247000	Supporter			
32	41330609200	E ring			
33	6LS04249000	Supporter			
35	6LS05824000	Electric potential sensor PWB protect sheet			
40	6LS06821000	PTDL unit			
41	6LS05508000	Drum front paper guide			
42	6LS05393000	Electrometer cover			
43	6LS03558000	CL sub frame F			
44	6LS03019000	CL sub frame F reinforce plate			
46	6LS03662000	PTDL holder			
47	6LS06212000	Screw			
48	6LS05891000	Drum paper guide sheet			
49	6LS05869000	Process harness sheet			
51	6LS05893000	Lead edge detection reflect prevention sheet			
52	6LS05912000	PTDL shade sheet			
901	6LS03336000	Process unit			



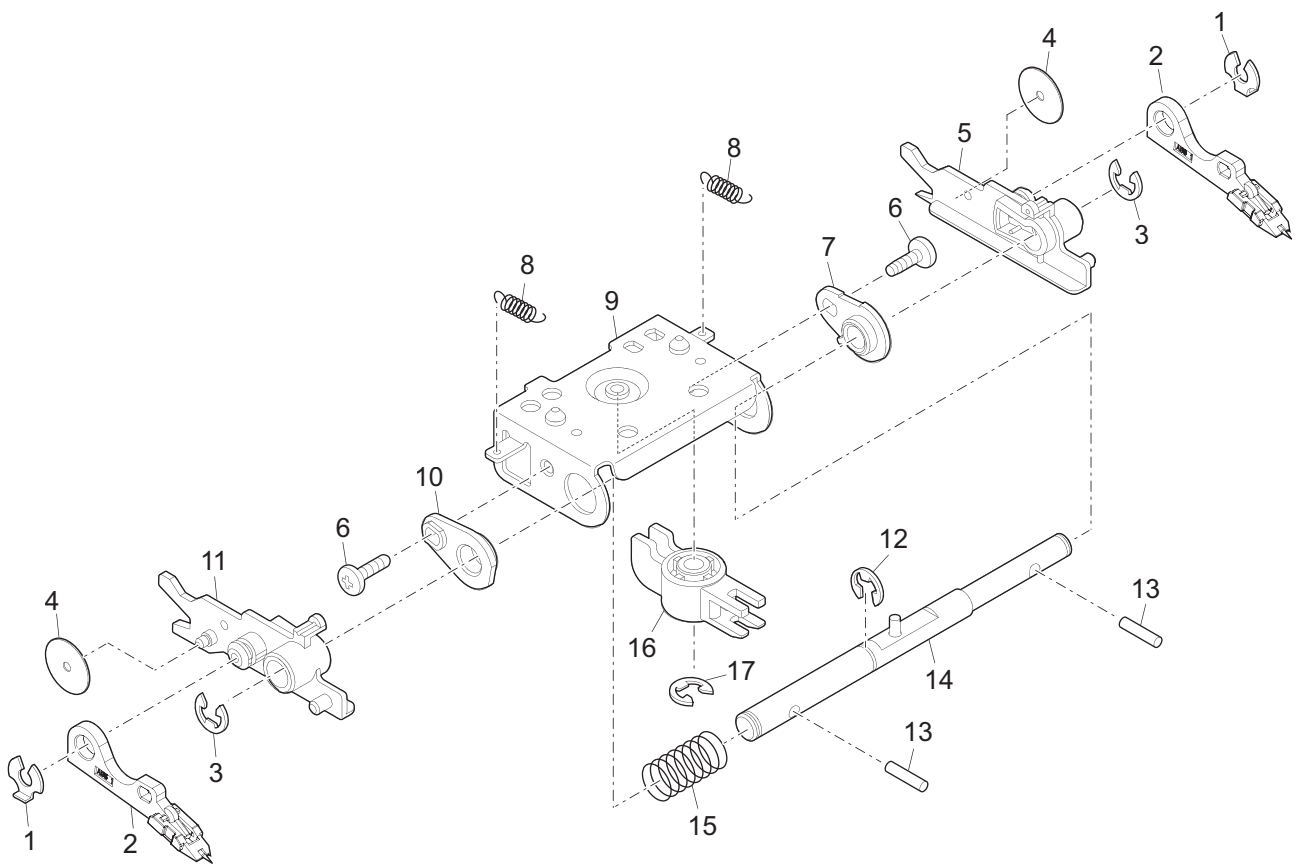
ITEM No.	PART No.	PART NAME	Q'TY / PAGE	Q'TY / PACK	REMARKS
1	6LS04160000	MC rail R			
2	6LS04288000	Screw			
3	6LA58793700	Screw			
4	6LS05392000	MC duct cover			
5	6LS04281000	Step screw			
6	6LS04159000	MC rail L			
7	6LA58673000	M4 plate			
8	6LS03089000	Discharger lamp PWB			
9	6LA58794800	Screw			
10	6LA58895000	Screw			
11	6LA58792800	Screw			
12	6LS03017000	Frame joint plate			
13	6LS03848000	R plate			
14	6LS03554000	Process frame R			
15	6LS04204000	Process stay L			
16	6LS06134000	Green label			
17	6LS05204000	Process frame joint shaft			
18	6LS03553000	Process frame F			
19	6LS03663000	Process connector holder			
20	6LS03015000	F plate			
21	6LS03463000	Knob HC			
22	6LS06221000	Screw			
24	6LS04846000	Drum fixing bearing			
25	6LS03467000	Drum fixing sleeve			
28	6LS05391000	Dustproof cover DL			
29	6LS04349000	Screw			
30	6LS06247000	Washer			
31	6LS06212000	Screw			
32	6LS05728000	MC duct cushion			
33	6LS05736000	Process Stay L cushion			
36	6LS05865000	MC rail sheet F			
37	6LS05866000	MC rail sheet R			



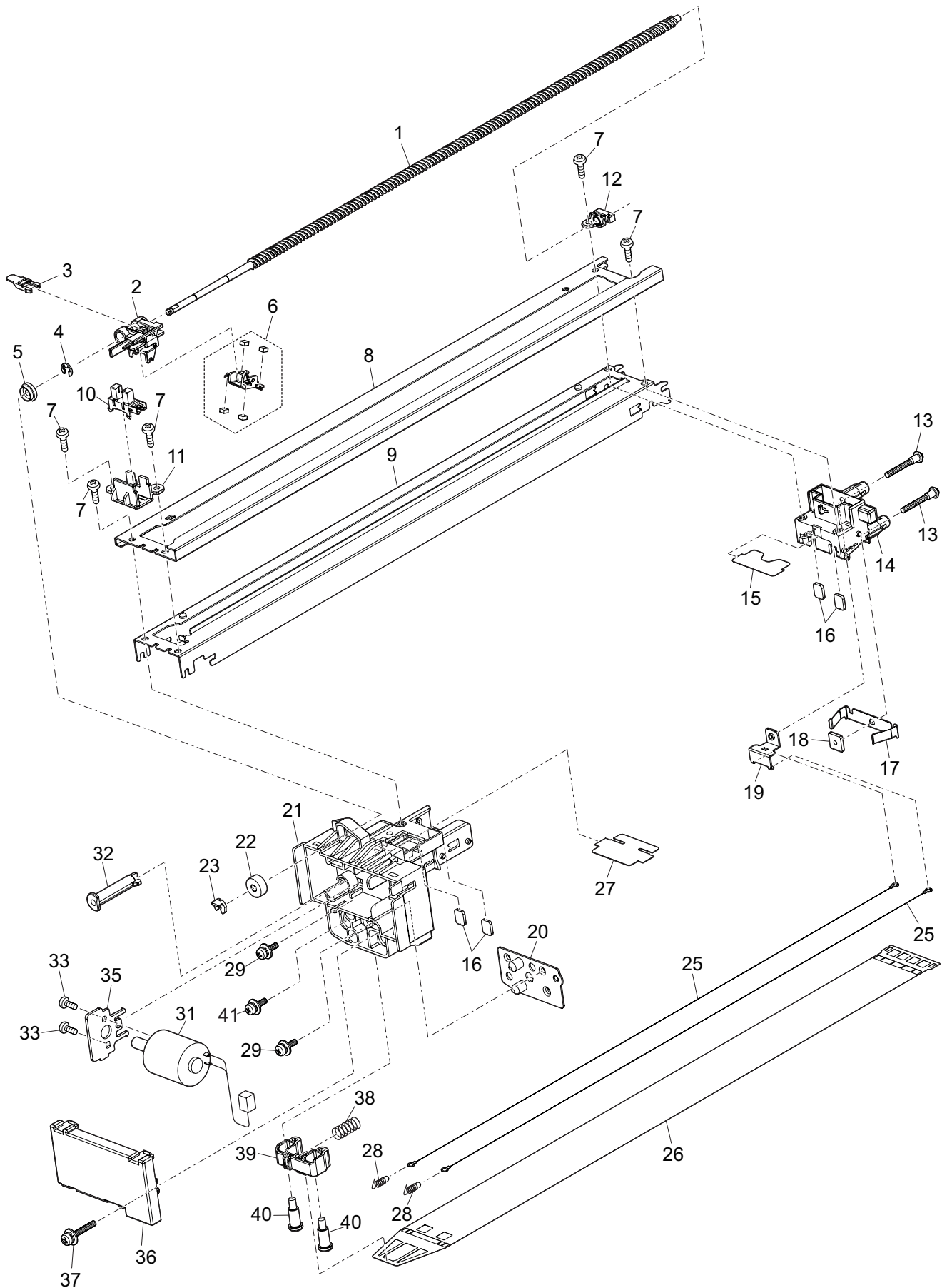


ITEM No.	PART No.	PART NAME	Q'TY / PAGE	Q'TY / PACK	REMARKS
1	6LS04690000	Separate pawl release lever spring			
2	41330609200	E ring			
3	6LS04476000	Separate pawl pressure release lever			
4	6LS03020000	CL frame R reinforce plate			
5	6LA58793700	Screw			
6	6LA58895000	Screw			
7	41330609600	E ring			
8	6LS04792000	Bearing			
9	6LA58792000	Screw			
10	6LS04860000	Process coupling			
11	6LS04791000	Bearing			
12	6LS03851000	Brush bearing fixing plate			
13	6LS04291000	Step screw			
14	6LS04816000	Brush bearing			
15	6LS04406000	Blade rocking arm			
16	6LS04855000	Blade rocking coupling			
17	6LS04805000	CL brush bearing RB			
19	6LS03556000	CL frame R			
20	6LS05778000	Side seal R			
21	6LS05790000	Sub blade seal F			
22	6LS05203000	Blade rocking shaft			
23	6LS05676000	Blade side cushion			
24	6LS05780000	Blade side seal R			
25	6LS05782000	CL frame seal R			
26	6LS05965000	Cleaner shutter HC			
27	6LS04598000	Shutter spring N			
28	41330609500	E ring			
29	6LS04809000	Bearing MX R			
30	6LS05757000	Cleaner pipe			
31	6LS04687000	Blade pressure spring			
32	6LS03016000	Blade fixing plate			
33	6LS05351000	Blade fixing plate shaft collar			
34	6LS04349000	Screw			
35	6LS02906000	CL blade			Code for service only
36	6LS05823000	CL blade seal L			
37	6LS04417000	Separate pawl separate arm			
38	6LS03744000	Spring pin			
39	6LS04477000	Separate pawl solenoid lever			
40	6LS05207000	Separate pawl separate shaft			
41	6LA58794500	Screw			
42	6LS04818000	Separate pawl rocking bearing			
43	6LS04222000	Separate pawl rocking bearing support plate			
44	6LA58792800	Screw			
45	6LS05205000	Separate pawl rocking shaft			
46	6LS05775000	CL upper cover seal U			
47	6LS04446000	Separate pawl rocking cam			
48	6LS04329000	Screw			
49	6LS03557000	Process cleaner frame			
50	6LS03658000	ID sensor holder			
51	6LS03088000	Process sensor PWB			
52	6LA58793200	Screw			
54	6LS02905000	Sub blade			Code for service only
57	6LS05260000	Brush drive input shaft			
58	6LS05779000	Blade side seal F			
59	6LS05781000	CL frame seal F			
60	6LS05202000	CL brush flicker			
61	6LS05031000	CL brush roller			
62	6LS05321000	Waste toner transport screw			
63	6LS03135000	Brush drive joint shaft			
64	6LS04817000	Brush drive bearing			
65	6LS03555000	CL frame F			
66	6LS05777000	Side seal F			
67	6LS04942000	CL brush gear			

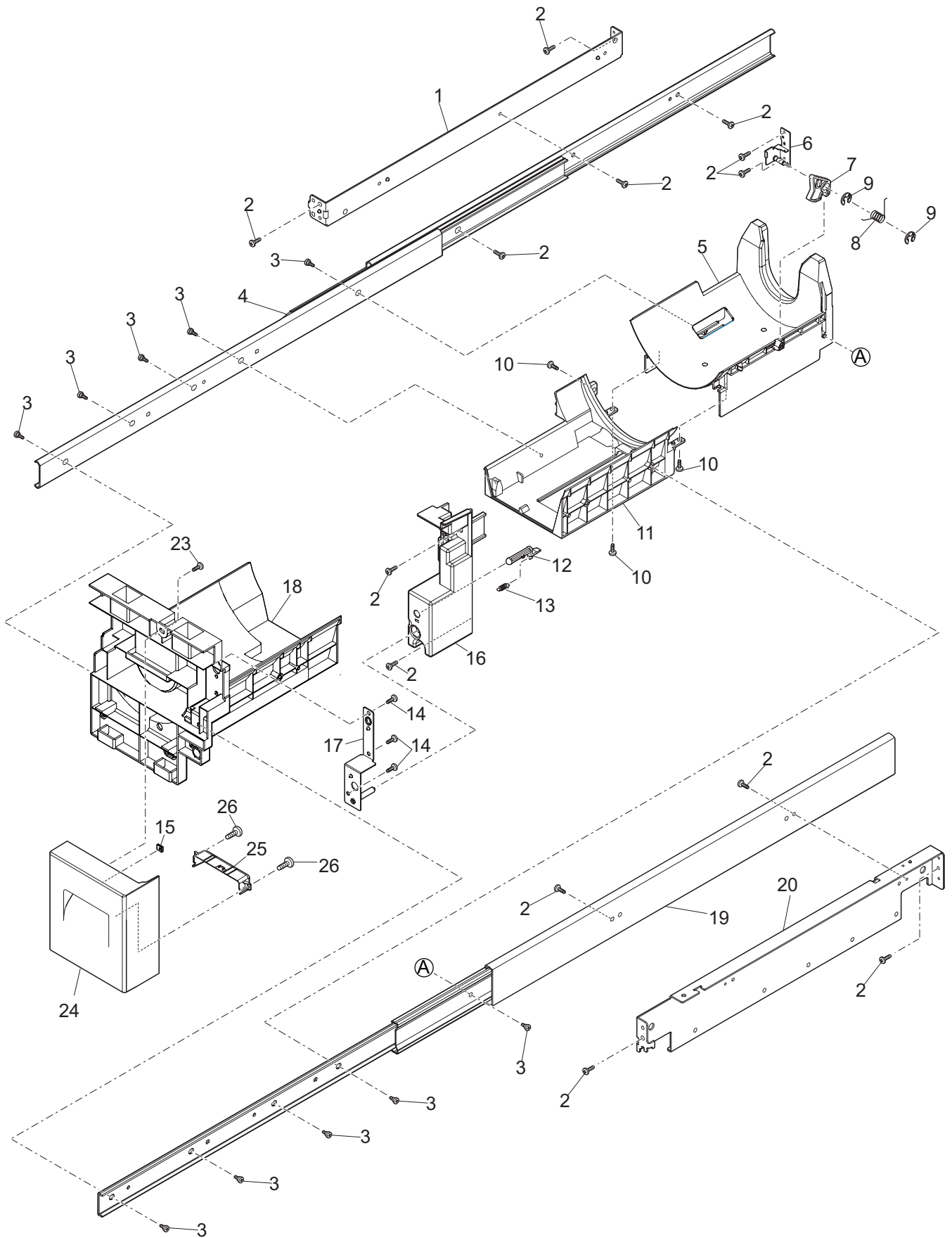
ITEM No.	PART No.	PART NAME	Q'TY / PAGE	Q'TY / PACK	REMARKS
69	6LS04689000	Separate pawl solenoid lever spring			
70	6LS06099000	Separate pawl solenoid			
71	6LS03018000	Blade fulcrum plate			
72	6LS06030000	CL earth plate			
73	6LS04941000	Brush drive gear			
75	6LS03850000	CL frame F reinforce plate			
77	6LS04429000	Separate pawl rocking arm			
78	6LS04940000	Screw drive gear			
80	6LS04804000	Blade fixing plate bearing F			
81	6LS04533000	Blade rocking spring			
82	6LS04495000	Separate pawl solenoid lever B			
83	6LS10191000	Poly slider			
84	6LS05791000	Sub blade seal R			
85	6LS05910000	Brush drive bearing sheet			



ITEM No.	PART No.	PART NAME	Q'TY / PAGE	Q'TY / PACK	REMARKS
1	6LS04186000	Stopper			
2	6LS03152000	Separate pawl			
3	41330609500	E ring			
4	6LS04385000	Washer			
5	6LS03661000	Separate pawl holder R			
6	6LA58812000	Screw			
7	6LS04812000	Separate pawl rocking bearing B			
8	6LS04688000	Separate pawl spring			
9	6LS03142000	Separate pawl support plate			
10	6LS04818000	Separate pawl rocking bearing			
11	6LS03657000	Separate pawl holder F			
12	41330609600	E ring			
13	6LS03745000	Spring pin			
14	6LS03136000	Separate pawl fulcrum shaft			
15	6LS04556000	Separate pawl rocking spring			
16	6LS04478000	Separate pawl rocking lever			
17	41330609200	E ring			

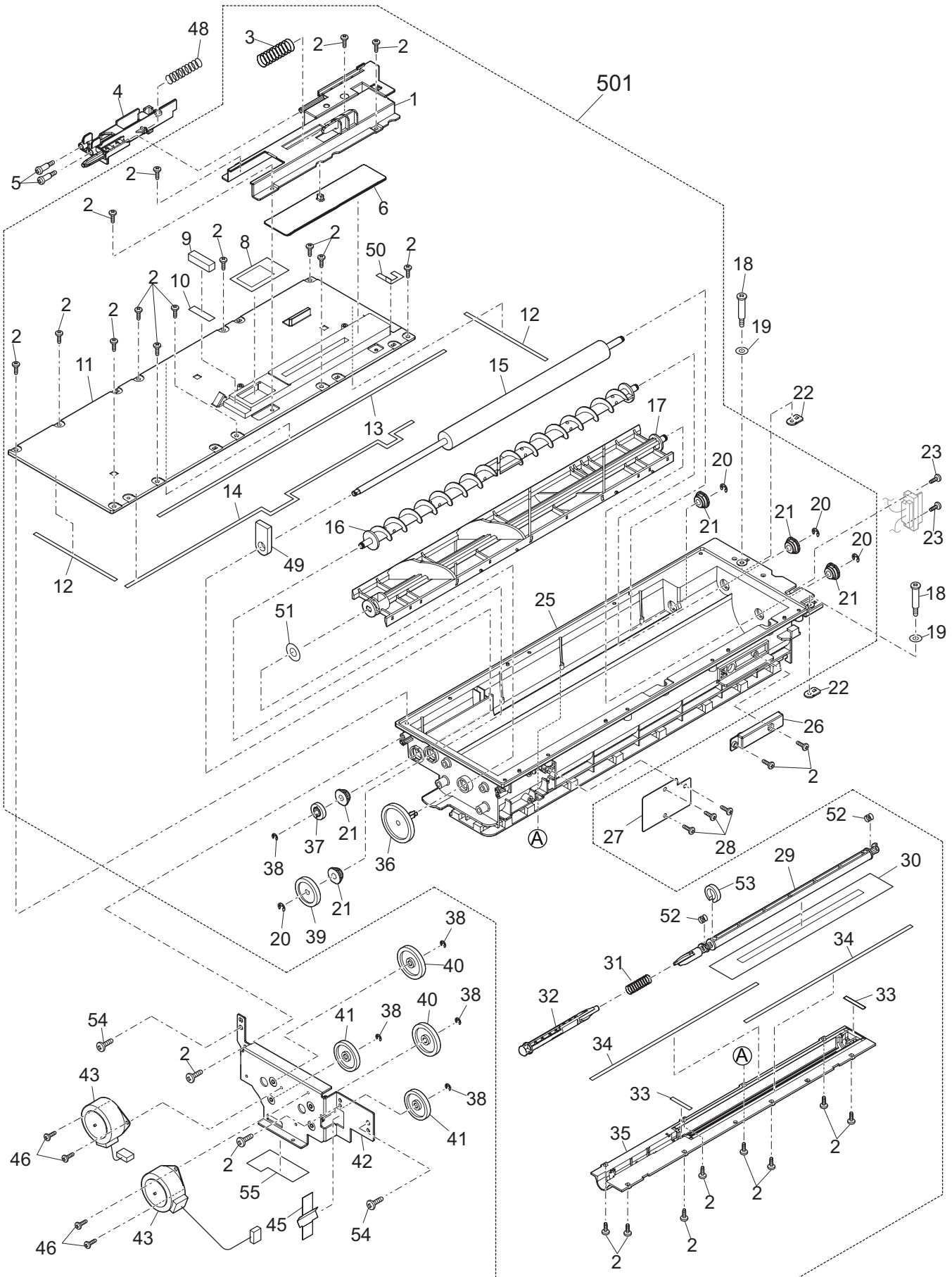


ITEM No.	PART No.	PART NAME	Q'TY / PAGE	Q'TY / PACK	REMARKS
1	6LS05323000	MC screw			
2	6LS03496000	Charger cleaner base			
3	6LS04120000	Cleaner base guide plate			
4	6LA58923000	E ring			
5	6LS04793000	MC cleaner bearing			
6	6LS02987000	Charger cleaner unit			
7	6LA58793300	Screw			
8	6LS03852000	MC reinforce plate			
9	6LS05335000	MC case			
10	6LS06160000	Sensor			
11	6LS04121000	MC sensor fixing plate			
12	6LS04819000	Drive bearing			
13	6LS04292000	Screw			
14	6LS03665000	MC holder R			
15	6LS05839000	MC cover sheet R			
16	6LS05484000	Charger cushion			
17	6LS06035000	MC case electrode			
18	6LS03753000	M3 plate			
19	6LS06034000	Charger electrode			
20	6LS03021000	MC adjust plate			
21	6LS03664000	MC holder F			
22	6LS04943000	Cleaner drive shaft gear			
23	6LA58675000	Resin ring			
25	6LS06008000	Charger wire A60			
26	6LS03972000	Grid HC			
27	6LS05838000	MC cover sheet F			
28	6LS04691000	Charger spring			
29	6LS04260000	Screw			
31	6LS06091000	Charger cleaner motor			
32	6LS05758000	Tension pipe shaft			
33	6LS04264000	Screw			
35	6LS04119000	Drive motor fixing plate			
36	6LS05394000	Drive motor cover			
37	6LS04338000	Screw			
38	6LS04557000	Grid spring			
39	6LS04118000	Grid tension plate			
40	6LS04337000	Step screw			
41	6LS04349000	Screw			
901	6LS02901000	MC charger			

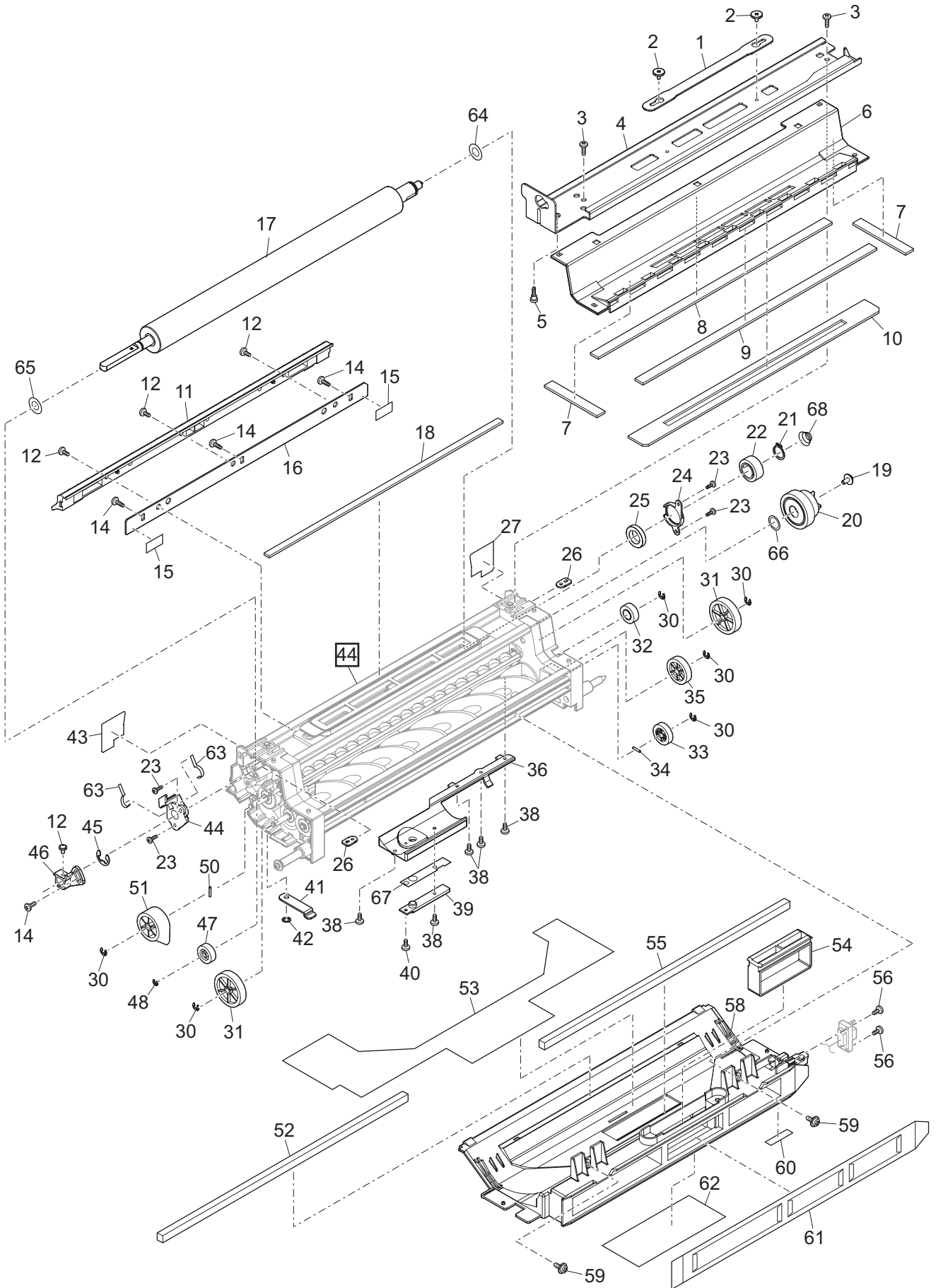




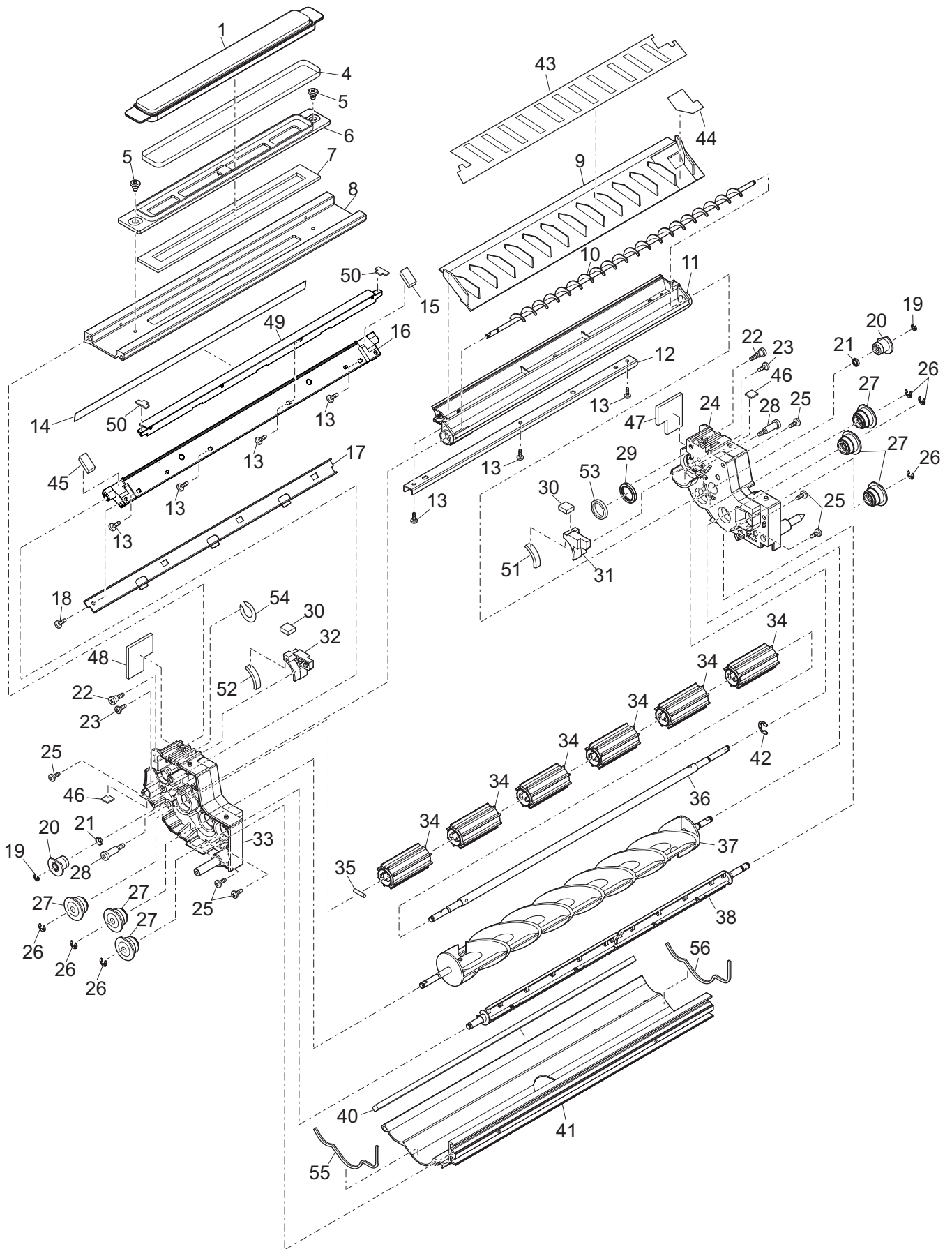
ITEM No.	PART No.	PART NAME	Q'TY / PAGE	Q'TY / PACK	REMARKS
1	6LS03970000	Bottle rail fixing plate L			
2	6LA58794800	Screw			
3	6LS04364000	Step screw			
4	6LS04525000	Bottle slide rail L			
5	6LS04176000	Cartridge tray rear			
6	6LS03064000	TB lock fixing plate			
7	6LS04136000	Cassette lock plate			
8	6LS04620000	Rail lock spring L			
9	6LA58928000	E ring			
10	6LS06210000	Screw			
11	6LS04178000	Cartridge tray			
12	6LS04462000	Open/close detect actuator			
13	6LS04660000	ADU gate return spring			
14	6LA58793200	Screw			
15	6LS04377000	Speed nut			
16	6LS05461000	Cartridge right cover			
17	6LS06432000	TC magnet catch fixing plate			
18	6LS06429000	Cartridge tray front			
19	6LS04526000	Bottle slide rail R			
20	6LS03971000	Bottle rail fixing plate R			
23	6LS06235000	Screw			
24	6LS03430000	Cartridge front cover lower			
25	6LS03431000	Cartridge handle cover			
26	6LA58793800	Screw			



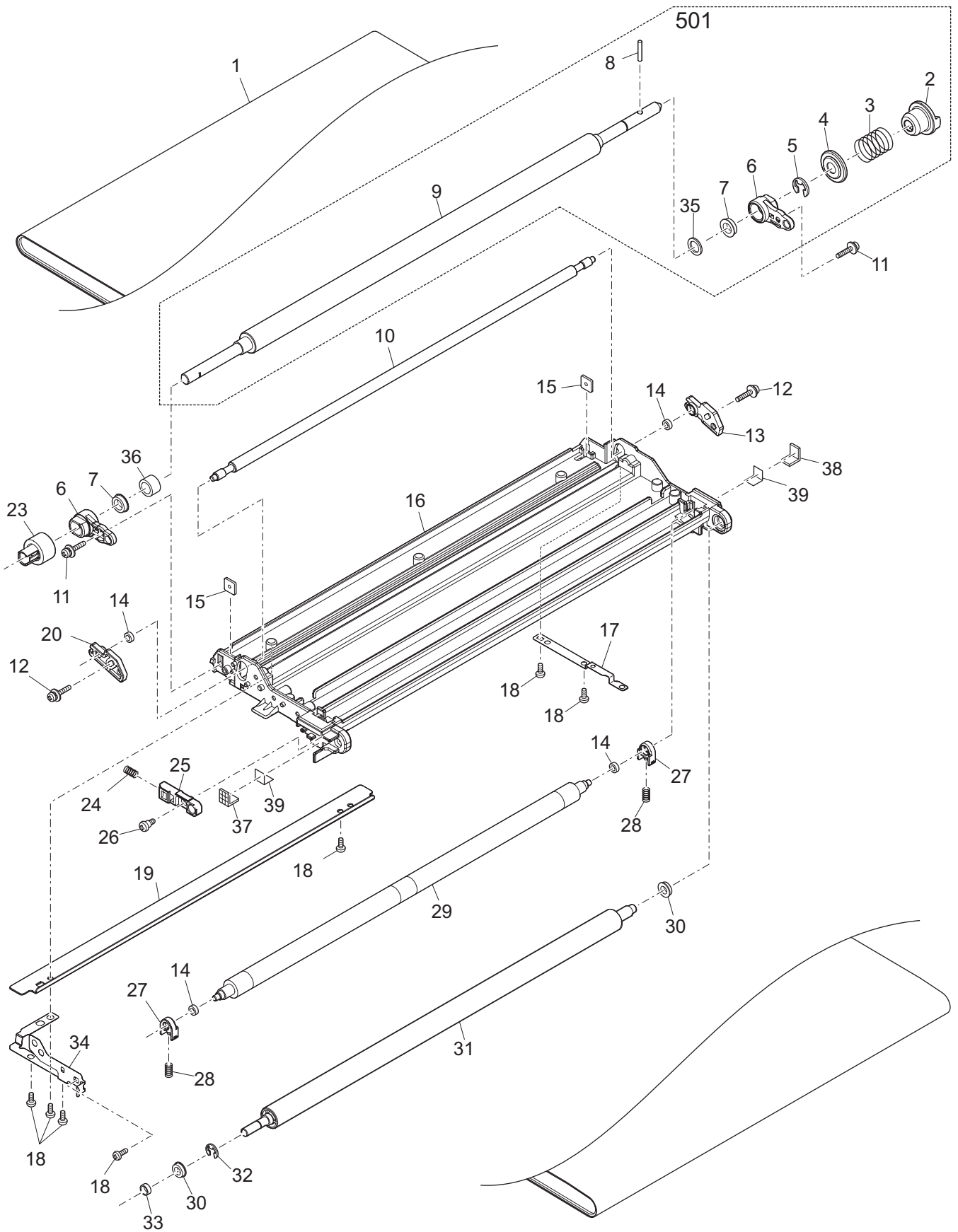
ITEM No.	PART No.	PART NAME	Q'TY / PAGE	Q'TY / PACK	REMARKS
1	6LS05451000	TH shutter cover			
2	6LA58793200	Screw			
3	6LS04535000	TH shutter spring			
4	6LS03701000	TH drawer fixing plate holder			
5	6LS04327000	CRUM connector screw			
6	6LS05963000	TH shutter			
8	6LS05707000	TH shutter cushion			
9	6LS05713000	Cleaning cushion			
10	6LS05990000	Cleaning cushion lower tape			
11	6LS05450000	TH cover			
12	6LS05706000	TH cover cushion B			
13	6LS05705000	TH cover cushion A			
14	6LS05717000	TH cover cushion C			
15	6LS05092000	TN roller			
16	6LS05319000	TH screw			
17	6LS03134000	TH shaft			
18	6LS04358000	Step screw			
19	6LA58800300	Washer			
20	41330609500	E ring			
21	41330532800	Bearing			
22	6LA58673000	M4 plate			
23	6LA58793300	Screw			
25	6LS05328000	TH-BOX			
26	6LS06058000	Toner remain detect sensor			
27	6LS05847000	Connector fixing sheet			
28	6LA58904000	Screw			
29	6LS05964000	TN shutter			
30	6LS05788000	TN shutter seal			
31	6LS04578000	TN shutter spring			
32	6LS04491000	TN shutter lever			
33	6LS05716000	Shutter cover cushion B			
34	6LS05715000	Shutter cover cushion A			
35	6LS05452000	TN shutter cover			
36	6LS04972000	TH gear			
37	6LS04891000	Gear			
38	6LA58923000	E ring			
39	6LS04971000	TH gear			
40	6LS04973000	TH gear			
41	6LS04974000	TH gear			
42	6LS03061000	TH motor fixing plate			
43	6LS06081000	Toner motor			
45	6LS05848000	Harness fixing sheet			
46	6LA58794400	Screw			
48	6LS04584000	TH drawer spring			
49	6LS05712000	TN roller cushion			
50	6LS05854000	TH harness sheet			
51	6LS05671000	TH cushion			
52	6LS04632000	TN spring			
53	6LS05714000	Shutter bearing cushion			
54	6LA58794800	Screw			
55	6LS05876000	Toner hopper harness protect sheet			
501	6LS06822000	Toner hopper box			
901	6LS02894000	Toner hopper unit			



ITEM No.	PART No.	PART NAME	Q'TY / PAGE	Q'TY / PACK	REMARKS
1	6LS03454000	TB handle			
2	6LS04339000	Step screw			
3	6LA58895000	Screw			
4	6LS05513000	DV guide U			
5	6LS04279000	Screw			
6	6LS05395000	DV cover			
7	6LS05677000	DV cover cushion F			
8	6LS05678000	DV cover cushion C			
9	6LS05679000	DV cover cushion D			
10	6LS05680000	Supply gate cushion			
11	6LS02911000	Doctor cover unit			
12	6LA58792800	Screw			
14	6LA58792400	Screw			
15	6LS05933000	Doctor suede			
16	6LS03860000	Doctor non-magnetic			
17	6LS05028000	MG roller			
18	6LS05685000	Doctor fixing plate cushion			
19	6LS04294000	Screw			
20	6LS02961000	Coupling gear			
21	6LS05769000	C type ring			
22	6LS04950000	MG gear			
23	6LA58792200	Screw			
24	6LS03688000	DV bearing holder			
25	6LS04842000	MG roller bearing			
26	6LA58673000	M4 plate			
27	6LS05786000	DV side seal R			
30	41330609500	E ring			
31	6LS04951000	MX gear F			
32	6LS04916000	ID gear			
33	6LS04975000	AG paddle gear			
34	6LS03727000	Pin			
35	6LS04953000	MX gear R			
36	6LS03497000	Sensor fixing base			
38	6LS06174000	Screw			
39	6LS06061000	ATC sensor			
40	6LS06213000	Screw			
41	6LS04223000	DV support plate			
42	6LS04376000	SUS CA ring			
43	6LS05785000	DV side seal F			
44	6LS03667000	MG holder F			
45	6LS06245000	E ring			
46	6LS04127000	Main electrode adjust plate			
47	6LS04949000	SW gear			
48	6LA58923000	E ring			
50	6LS03728000	Pin			
51	6LS04952000	PA gear F			
52	6LS05710000	DV sensor cushion			
53	6LS05825000	DV duct sheet			
54	6LS05503000	DV BOX filter			
55	6LS05682000	DV duct cushion upper			
56	6LA58793300	Screw			
58	6LS05396000	DV duct cover			
59	6LS06193000	Screw			
60	6LS05855000	DV duct harness sheet			
61	6LS05681000	DV duct cushion			
62	6LS05826000	DV duct sheet lower			
63	6LS05789000	MG holder seal			
64	6LS05793000	MG seal R			
65	6LS05792000	MG seal F			
66	6LS05973000	Coupling spacer			
67	6LS05972000	ATC spacer			
68	6LS04588000	MG spring			
901	6LS03338000	DV unit			

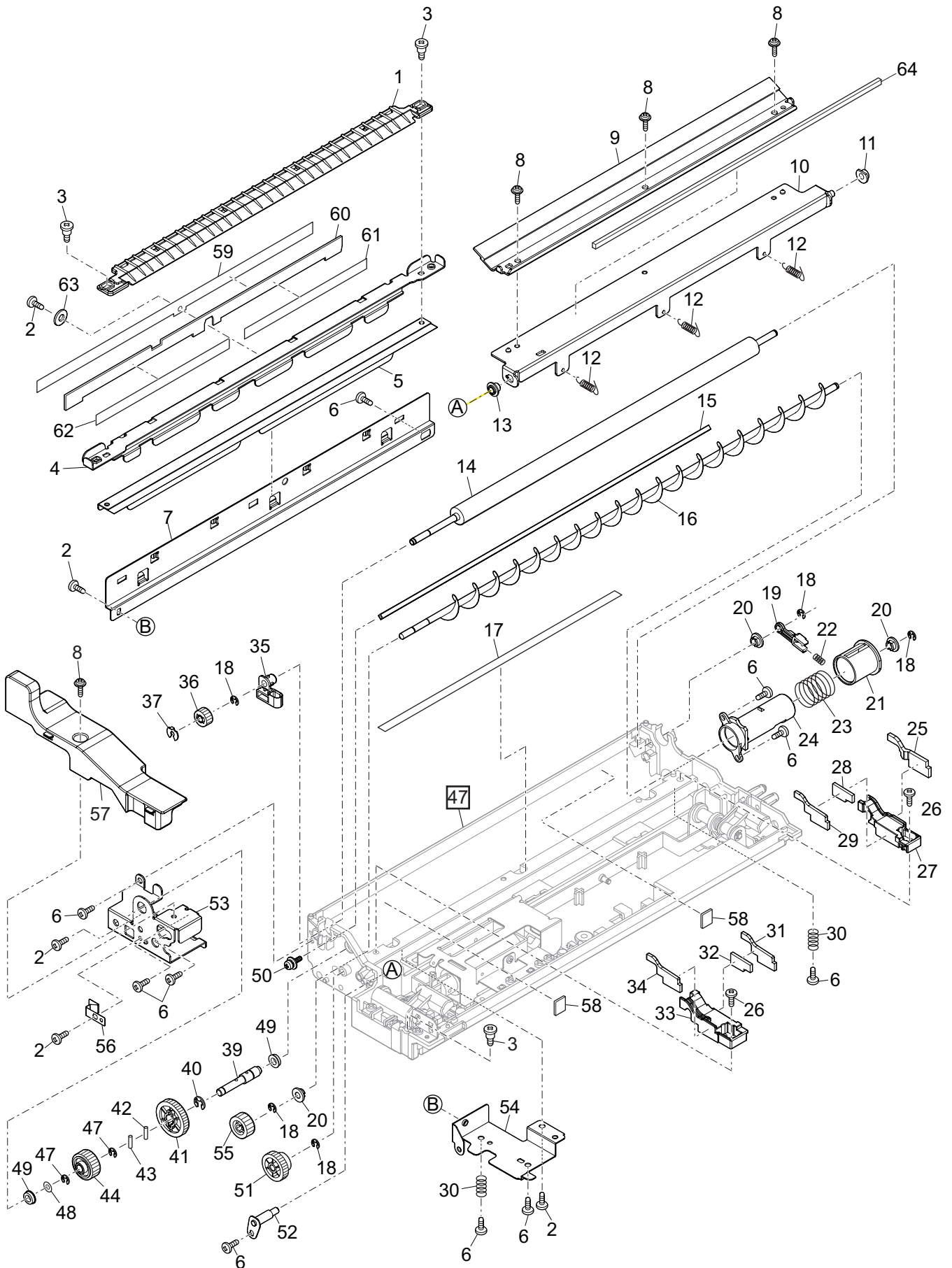


ITEM No.	PART No.	PART NAME	Q'TY / PAGE	Q'TY / PACK	REMARKS
1	6LS03130000	DV filter unit			
4	6LS05774000	Filter cover seal			
5	6LS04340000	Step screw			
6	6LS03498000	Filter fixing base			
7	6LS05683000	DV filter cushion upper			
8	6LS06823000	Doctor fixing plate			
9	6LS04125000	Separator 1			
10	6LS05322000	Separator screw			
11	6LS04126000	Separator 2			
12	6LS03862000	Separator plate			
13	6LS06215000	Screw			
14	6LS05840000	DV lower blade sheet			
15	6LS05721000	Posting base cushion R			
16	6LS03509000	Lower blade posting base			
17	6LS03990000	Lower blade fixing plate			
18	6LS06214000	Screw			
19	6LA58923000	E ring			
20	6LS04823000	Separator bearing			
21	6LS05773000	G seal			
22	6LS04263000	Step screw			
23	6LS06210000	Screw			
24	6LS03083000	DV side plate R			
25	6LA58895000	Screw			
26	41330609500	E ring			
27	6LS02896000	MX bearing			
28	6LS04285000	Step screw			
29	6LS05772000	G seal			
30	6LS05684000	DV side plate cushion A			
31	6LS03504000	MG block R			
32	6LS03503000	MG block F			
33	6LS03082000	DV side plate F			
34	6LS05048000	Paddle roller			
35	6LA58748200	SP Pin			
36	6LS05211000	Paddle shaft			
37	6LS05040000	MX roller			
38	6LS05041000	AG roller			
40	6LS05686000	DV bottom frame cushion			
41	6LS03562000	DV bottom frame			
42	6LA58928000	E ring			
43	6LS05857000	Separate plate sheet A			
44	6LS05858000	Separate plate sheet B			
45	6LS05720000	Posting base cushion F			
46	6LS05722000	DV side plate cushion D			
47	6LS05724000	DV side plate cushion upper R			
48	6LS05723000	DV side plate cushion upper F			
49	6LS03510000	Posting base block			
50	6LS05727000	Block cushion			
51	6LS05863000	MG block sheet R			
52	6LS05862000	MG block sheet F			
53	6LS05795000	Side plate seal R			
54	6LS05794000	Side plate seal F			
55	6LS05750000	DV side plate cushion F			
56	6LS05751000	DV side plate cushion R			

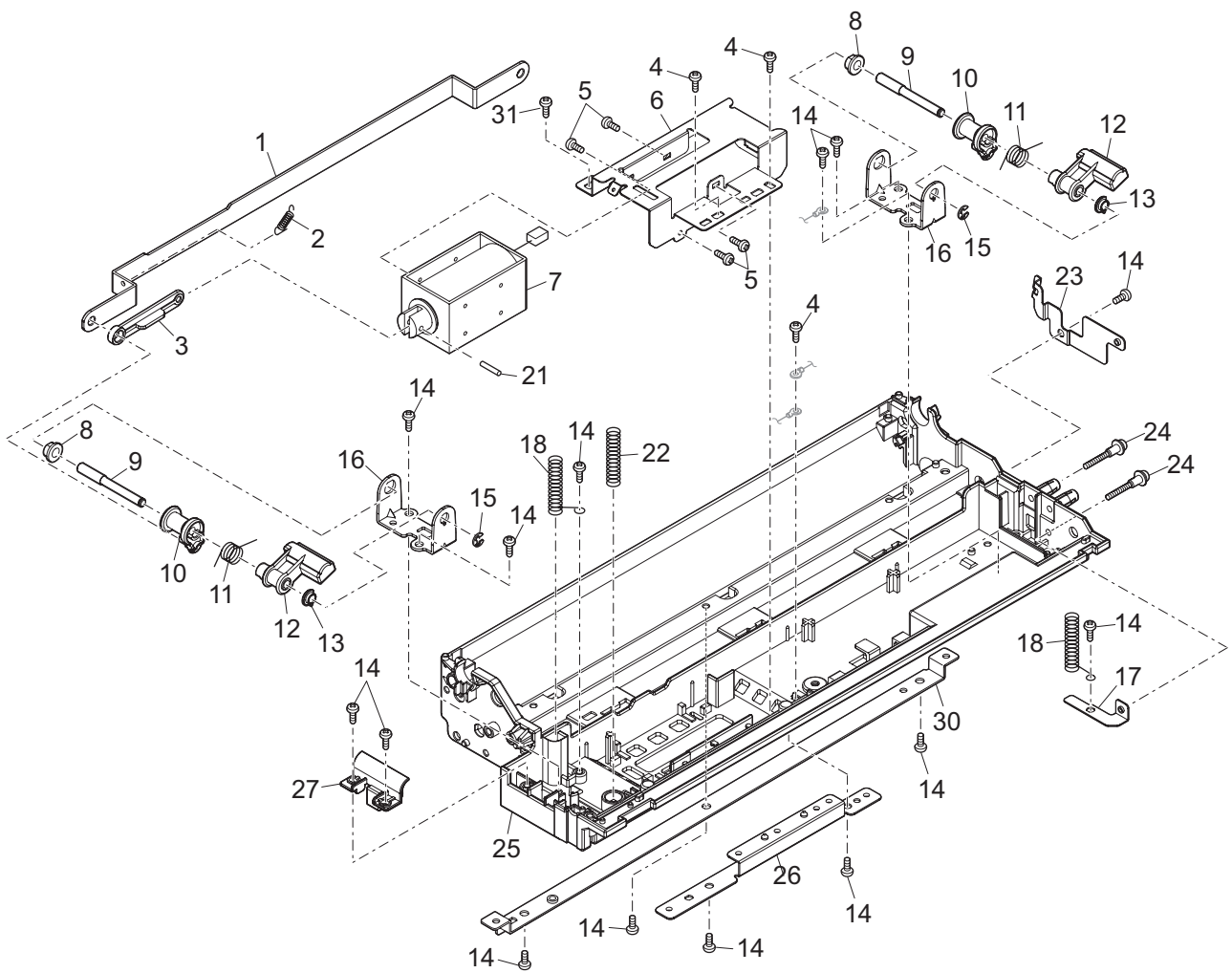




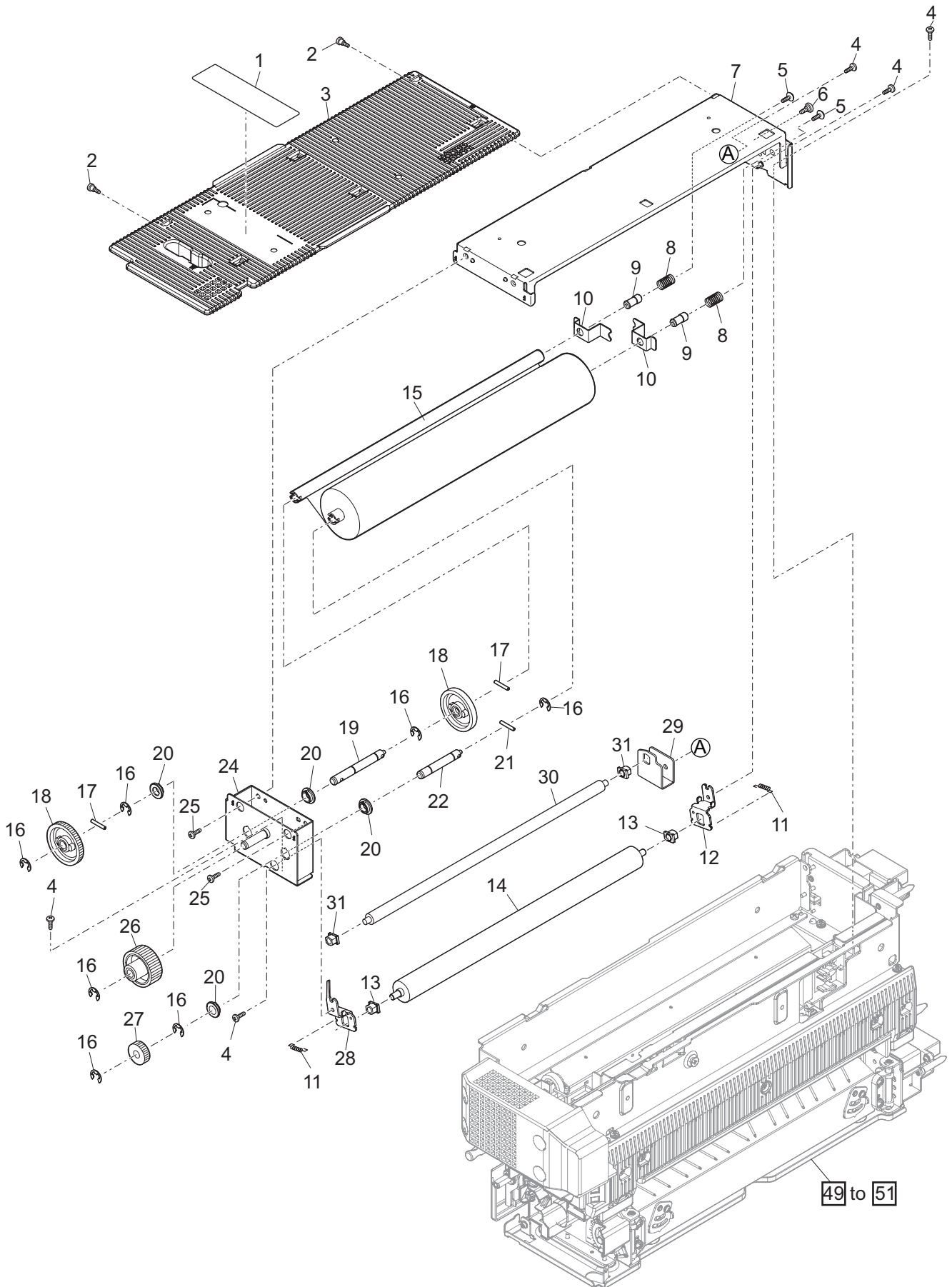
ITEM No.	PART No.	PART NAME	Q'TY / PAGE	Q'TY / PACK	REMARKS
1	6LS06648000	Transfer transport belt H			
2	6LS04864000	Transfer drive coupling			
3	6LS04573000	Transfer coupling spring			
4	6LS05968000	Clutch spacer			
5	6LA58928000	E ring			
6	6LS04813000	Transfer drive roller bearing R			
7	6LS06678000	Bearing			
8	6LS03741000	Pin			
9	6LS05030000	Transfer drive roller			
10	6LS05208000	Transfer separate adjust shaft			
11	6LS04308000	Blue screw			
12	6LA58793300	Screw			
13	6LS04122000	Separate adjust shaft fixing plate R			
14	6LS06677000	Bearing			
15	6LS03753000	M3 plate			
16	6LS03560000	Transfer belt frame			
17	6LS06036000	Transfer roller electrode			
18	6LA58793200	Screw			
19	6LS05332000	Transfer CL support brush			
20	6LS04135000	Adjust shaft fixing plate F			
23	6LS04944000	Drive roller gear			
24	6LS04534000	Earth shaft spring			
25	6LS04820000	Follower roller bearing			
26	6LS04313000	Step screw			
27	6LS04806000	Transfer roller bearing			
28	6LS04575000	Transfer roller bearing spring			
29	6LS05057000	Transfer roller HC			
30	6LS06676000	Bearing			
31	6LS05027000	Transfer follower roller			
32	41330609600	E ring			
33	6LS05365000	Follower roller collar			
34	6LS06037000	Transfer adjust shaft electrode			
35	6LS05368000	Transfer drive collar R			
36	6LS05367000	Transfer drive collar F			
37	6LS05974000	Transfer belt frame F			
38	6LS05975000	Transfer belt frame R			
39	6LS05994000	Double sided tape			
501	6LS03128000	Transfer drive roller unit			
901	6LS03335000	Transfer unit			



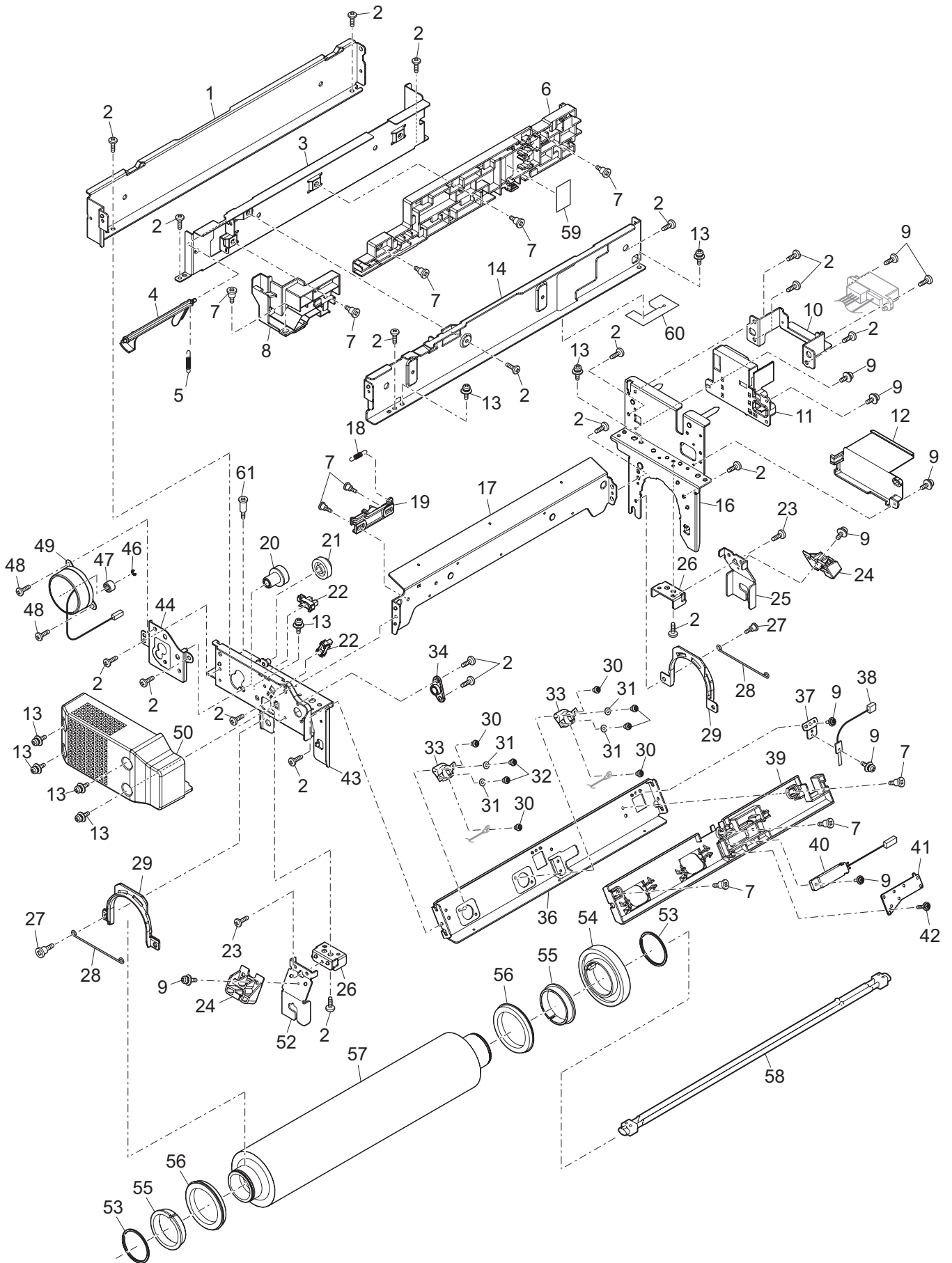
ITEM No.	PART No.	PART NAME	Q'TY / PAGE	Q'TY / PACK	REMARKS
1	6LS03666000	Discharger plate holder			
2	6LS06227000	Screw			
3	6LS04344000	Step screw			
4	6LS03904000	Transfer rear paper guide fixing plate			
5	6LS06151000	Transfer sub blade			
6	6LA58793700	Screw			
7	6LS03854000	Sub blade fixing plate			
8	6LS04349000	Screw			
9	6LS06150000	Transfer CL blade			Code for service only
10	6LS03023000	CL blade fixing plate			
11	6LS04800000	Bearing			
12	6LS04692000	Transfer blade spring			
13	6LS04804000	Blade fixing plate bearing F			
14	6LS05034000	Transfer CL brush roller			
15	6LS05210000	Transfer CL brush flicker			
16	6LS05324000	Transfer waste toner screw			
17	6LS05700000	Blade lower cushion			
18	41330609500	E ring			
19	6LS04822000	CL brush rocking bearing			
20	6LS04809000	Bearing MX R			
21	6LS05965000	Cleaner shutter HC			
22	6LS04534000	Earth shaft spring			
23	6LS04598000	Shutter spring N			
24	6LS05757000	Cleaner pipe			
25	6LS05704000	Transfer side cushion R outside			
26	6LA58895000	Screw			
27	6LS04124000	Transfer side seal fixing plate R			
28	6LS05703000	Transfer side cushion R inside			
29	6LS05784000	Transfer side seal R			
30	6LS04574000	Transfer frame spring			
31	6LS05783000	Transfer side seal F			
32	6LS05701000	Transfer side cushion F inside			
33	6LS04123000	Transfer side seal fixing plate F			
34	6LS05702000	Transfer side cushion F outside			
35	6LS04821000	CL brush bearing F			
36	6LS04946000	Transfer CL brush gear			
37	6LS04186000	Stopper			
39	6LS05209000	Transfer drive joint shaft			
40	6LA58928000	E ring			
41	6LS04948000	Idle gear			
42	6LS03744000	Spring pin			
43	6LS06684000	Pin			
44	6LS04945000	Transfer brush joint gear			
47	41330609600	E ring			
48	6LS10191000	Poly slider			
49	6LS06676000	Bearing			
50	6LA58792800	Screw			
51	6LS04947000	Idle gear			
52	6LS03024000	CL blade positioning plate			
53	6LS03022000	Transfer drive plate			
54	6LS03858000	Transfer G base plate			
55	6LS04877000	MX gear			
56	6LS06038000	Waste toner screw electrode			
57	6LS05458000	Transfer drive cover			
58	6LS05718000	Transfer sub blade cushion			
59	6LS05860000	Transfer discharger sheet			
60	6LS04137000	Transfer discharger sheet base plate			
61	6LS05992000	Discharger sheet tape B			
62	6LS05991000	Discharger sheet tape A			
63	6LS06250000	Washer			
64	6LS05911000	Blade spacer			



ITEM No.	PART No.	PART NAME	Q'TY / PAGE	Q'TY / PACK	REMARKS
1	6LS04396000	Transfer solenoid arm L			
2	6LS04705000	Arm L spring			
3	6LS04419000	Transfer solenoid arm			
4	6LS06227000	Screw			
5	6LA58792000	Screw			
6	6LS03853000	Solenoid fixing plate			
7	6LS06103000	Transfer separate solenoid			
8	41330533400	Metal bearing			
9	6LS05246000	Transfer separate shaft			
10	6LS04428000	Separate link arm			
11	6LS04629000	Separate arm spring			
12	6LS04418000	Transfer separate arm			
13	6LS04794000	Bearing			
14	6LA58793700	Screw			
15	41330609500	E ring			
16	6LS03686000	Transfer separate shaft holder			
17	6LS03855000	Transfer roller input electrode			
18	6LS04572000	Transfer spring			
21	6LS03740000	Spring pin			
22	6LS04558000	Transfer separate spring			
23	6LS03856000	CL brush input electrode			
24	6LS04292000	Screw			
25	6LS03561000	Transfer frame			
26	6LS03857000	Transfer earth connect plate			
27	6LS05593000	Transfer harness guide			
30	6LS03859000	Blade SP fixing plate			
31	6LS06231000	Screw			

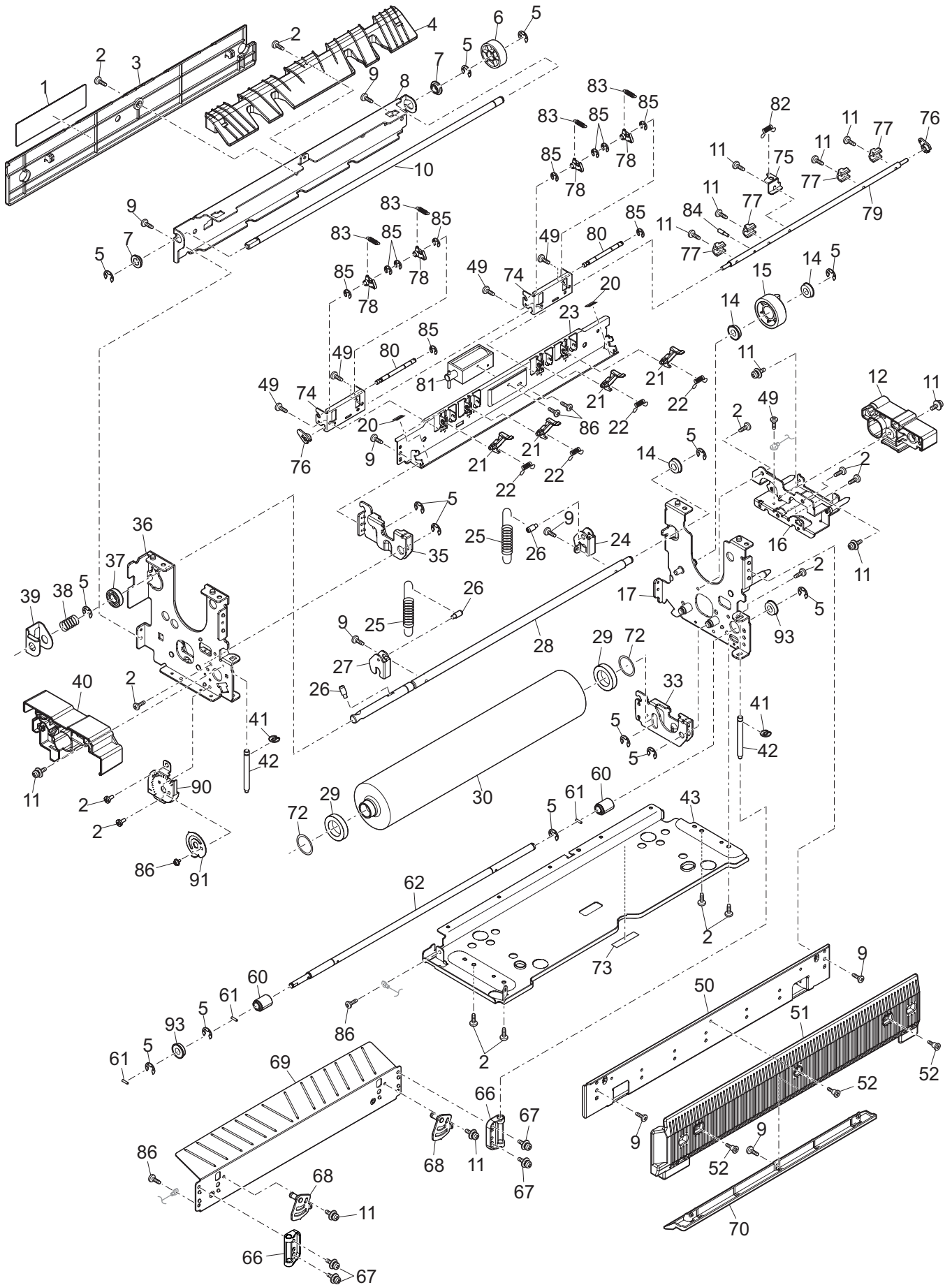


ITEM No.	PART No.	PART NAME	Q'TY / PAGE	Q'TY / PACK	REMARKS
1	6LS02919000	High temperature caution felt			
2	6LS04287000	Step screw			
3	6LS05414000	Web frame cover			
4	6LS06184000	Screw			
5	6LS06187000	Screw			
6	6LS04295000	Step screw			
7	6LS03569000	Web support frame			
8	6LS04561000	Web fulcrum spring			
9	6LS05219000	Web fulcrum shaft			
10	6LS03879000	Web slide plate			
11	6LS04695000	Back up roller spring			
12	6LS03878000	Roller bearing fixing plate R			
13	6LS04824000	Back up roller bearing			
14	6LS05091000	Back up roller			
15	6LS05032000	Web roller			
16	6LA58928000	E ring			
17	6LS03743000	Pin			
18	6LS04958000	Web welding gear			
19	6LS05220000	Web welding shaft			
20	6LS04785000	Bearing			
21	6LS03740000	Spring pin			
22	6LS05221000	Web send shaft			
24	6LS03037000	Web drive plate			
25	6LA58794800	Screw			
26	6LS04957000	Gear			
27	6LS04969000	One way gear			
28	6LS03877000	Roller bearing fixing plate			
29	6LS03994000	Web guide shaft fixing plate			
30	6LS05263000	Web guide shaft			
31	6LS04802000	CL roller bearing			
901	6LS03346000	Fusing unit			(Include Block[49],[50])



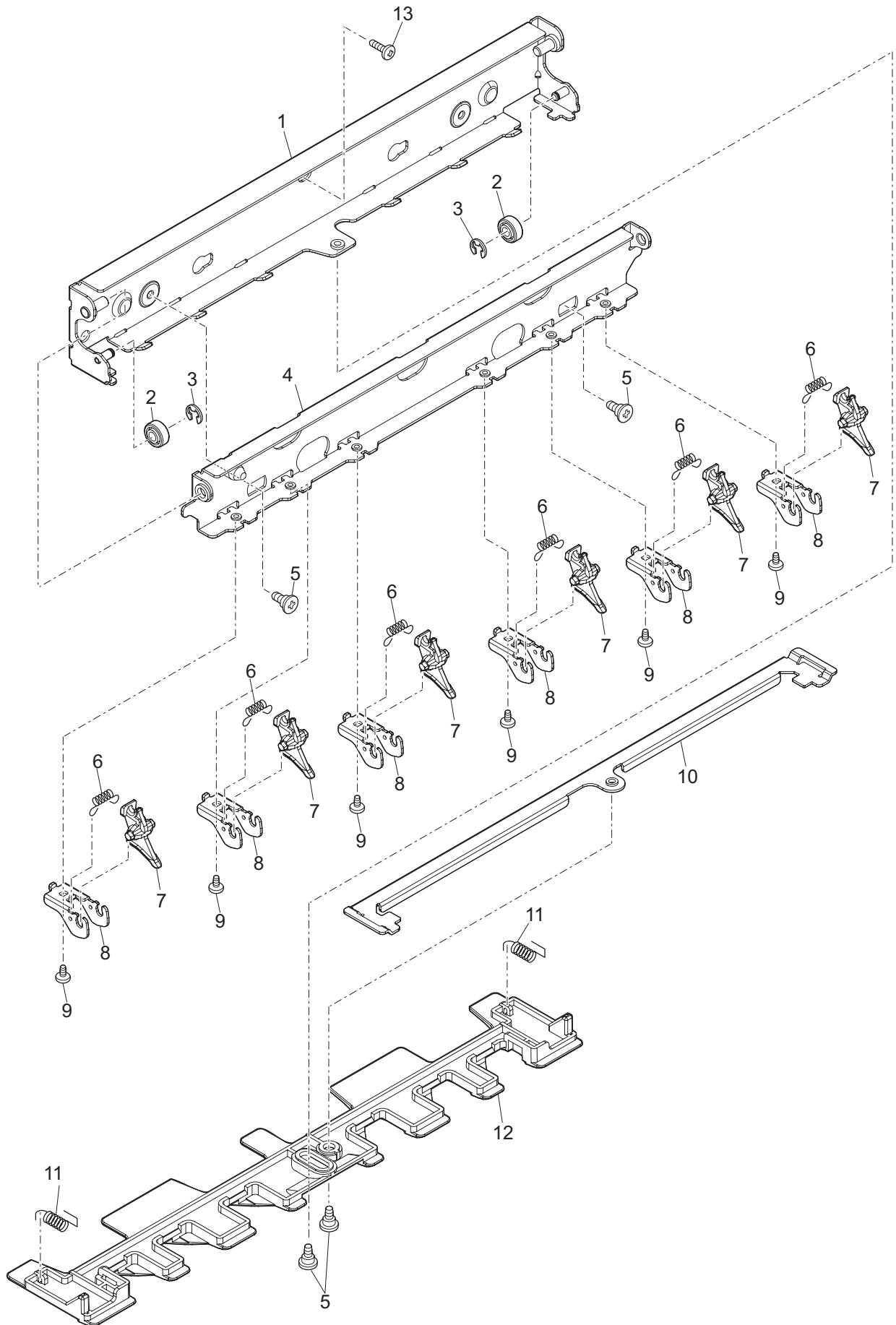


ITEM No.	PART No.	PART NAME	Q'TY / PAGE	Q'TY / PACK	REMARKS
1	6LS04211000	Fusing reinforce stay left			
2	6LA58794800	Screw			
3	6LS04212000	Harness fixing stay			
4	6LS04484000	Web end detect lever			
5	6LS04696000	Web end detect spring			
6	6LS03677000	Fusing upper harness holder			
7	6LS04287000	Step screw			
8	6LS03679000	Fusing upper harness holder F			
9	6LS06187000	Screw			
10	6LS03880000	Fusing upper drawer fixing plate			
11	6LS03678000	Fusing upper harness holder R			
12	6LS05416000	Fusing harness cover R			
13	6LS06194000	Screw			
14	6LS04210000	Fusing reinforce stay right			
16	6LS02942000	Fusing upper frame R			
17	6LS03143000	Fusing rear upper stay			
18	6LS04697000	Upper rocking spring			
19	6LS04483000	Upper pawl rocking lever			
20	6LS04954000	Gear			
21	6LS04956000	Upper pawl rocking gear			
22	6LS06161000	Photo interrupter			
23	6LS06184000	Screw			
24	6LS03689000	HL harness holder			
25	6LS03681000	Lamp holder R			
26	6LS03882000	LH fixing plate			
27	6LS04295000	Step screw			
28	6LS04194000	HP fixing stopper			
29	6LS05358000	Insulation collar			
30	6LS04366000	Screw			
31	6LS06247000	Washer			
32	6LS06185000	Screw			
33	6LS06104000	Thermostat upper			
34	6LS03487000	Positioning bush A			
36	6LS04209000	Fusing front upper stay			
37	6LS03881000	Thermistor fixing plate			
38	6LS06059000	Thermistor sub			
39	6LS03500000	Non contact thermistor fixing base			
40	6LS06060000	Non contact thermistor			
41	6LS05384000	Thermistor cover			
42	6LS06190000	Screw			
43	6LS02941000	Fusing upper frame F			
44	6LS03038000	Web motor plate			
46	6LA58923000	E ring			
47	6LS04923000	Web motor gear			
48	6LA58794400	Screw			
49	6LS06069000	Web motor			
50	6LS05415000	Fusing upper cover F			
52	6LS03680000	Lamp holder F			
53	6LS05770000	C type ring			
54	6LS04955000	Fusing gear			
55	6LS03486000	Insulation bush			
56	6LS04849000	Fusing upper bearing			
57	6LS05093000	Upper heat roller			
58	6LS06068000	Heater lamp upper			
59	6LS05871000	Fusing radiate sheet B			
60	6LS05870000	Fusing radiate sheet			
61	6LS04290000	Step screw			

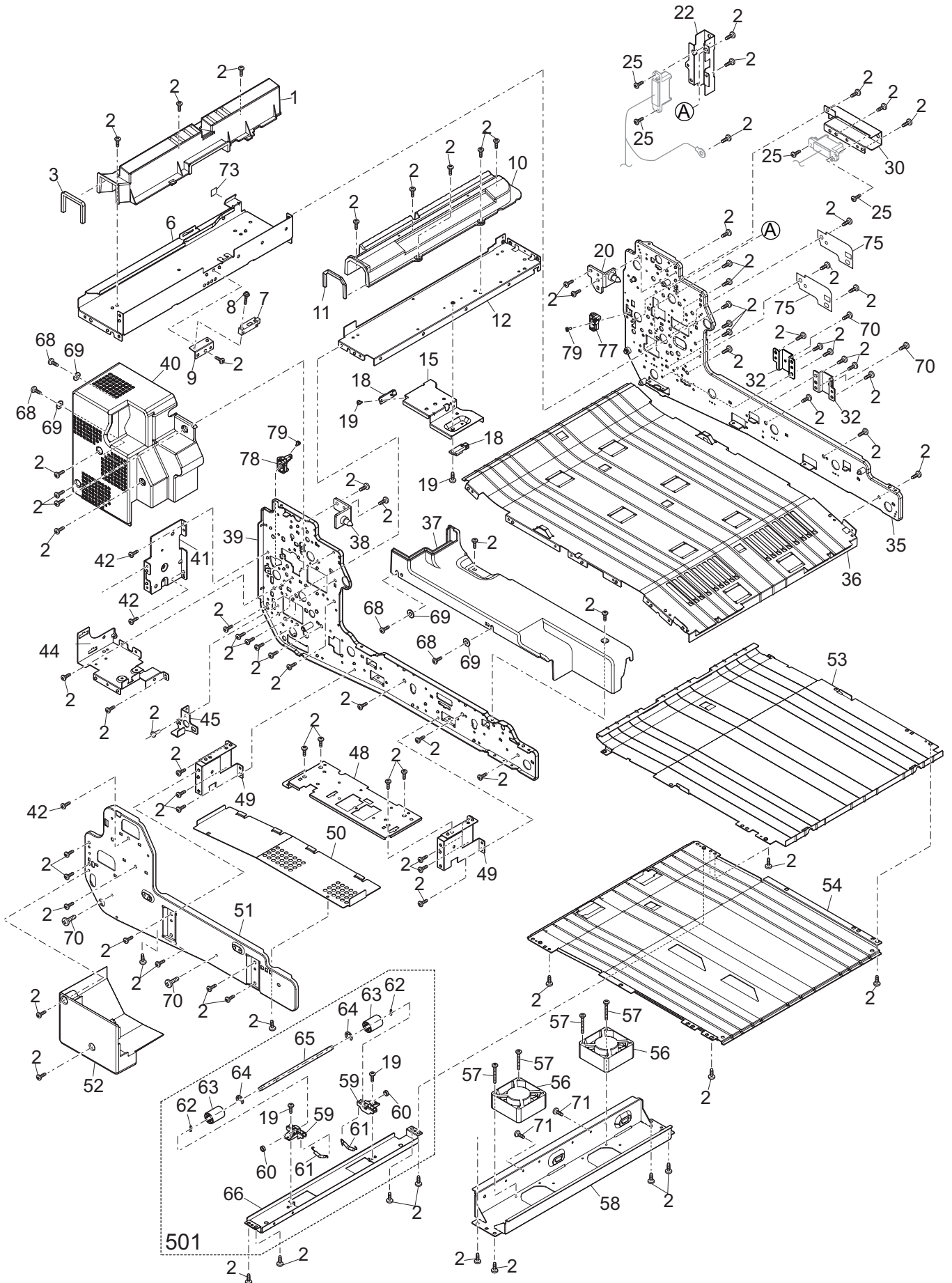


ITEM No.	PART No.	PART NAME	Q'TY / PAGE	Q'TY / PACK	REMARKS
1	6LS02919000	High temperature caution felt			
2	6LA58794800	Screw			
3	6LS05417000	Fusing left cover			
4	6LS05592000	Fusing rear lower paper guide			
5	6LA58928000	E ring			
6	6LS04900000	One way gear			
7	6LS04785000	Bearing			
8	6LS04214000	Fusing lower stay left			
9	6LS06184000	Screw			
10	6LS06575000	JAM processing shaft			
11	6LS06187000	Screw			
12	6LS03683000	Fusing lower harness holder R			
14	6LS04830000	Bearing			
15	6LS04959000	Fusing coupling gear			
16	6LS03040000	Fusing lower drawer fixing plate			
17	6LS02944000	Fusing lower frame R			
20	6LS05331000	Fusing discharger brush			
21	6LS05980000	Fusing lower separate pawl			
22	6LS04699000	Fusing lower separate pawl spring			
23	6LS03883000	Lower separate pawl fixing plate			
24	6LS04398000	Pressure release arm R			
25	6LS04698000	Fusing pressure spring			
26	6LS04272000	Step screw			
27	6LS04397000	Pressure release arm F			
28	6LS05222000	Pressure release shaft			
29	6LS04841000	Lower HR bearing			
30	6LS05026000	Pressure roller			
33	6LS04457000	Pressure lever R			
35	6LS04456000	Pressure lever F			
36	6LS02943000	Fusing lower frame F			
37	6LS04788000	Bearing			
38	6LS04583000	Pressure release lock spring			
39	6LS03988000	Pressure release lock plate			
40	6LS03682000	Fusing lower harness holder F			
41	6LS05771000	Clip ring			
42	6LS05274000	Paper guide rocking guide shaft			
43	6LS04215000	Fusing lower stay bottom			
49	6LA58794400	Screw			
50	6LS04213000	Fusing lower stay right			
51	6LS05590000	Fusing front upper paper guide			
52	6LS04287000	Step screw			
60	6LS04447000	Paper guide rocking cam			
61	6LS06685000	Spring pin			
62	6LS05270000	Positioning shaft			
66	6LS05591000	Paper guide rocking guide			
67	6LS06194000	Screw			
68	6LS03039000	PG rocking adjust plate			
69	6LS02964000	Fusing front lower PG			
70	6LS05625000	Fusing front upper paper guide-B			
72	6LS06319000	Roller stopper			
73	6LS05861000	CN protect sheet			
74	6LS03992000	Separate shaft fixing plate			
75	6LS03993000	Separate slide plate			
76	6LS04827000	Separate bearing			
77	6LS04448000	Separate cam			
78	6LS04496000	Separate lever			
79	6LS05261000	Separate slide shaft			
80	6LS05262000	Separate lever fulcrum shaft			
81	6LS06102000	Separate solenoid			
82	6LS04713000	Separate return spring A			
83	6LS04714000	Separate return spring B			
84	6LS03745000	Spring pin			
85	41330609500	E ring			

ITEM No.	PART No.	PART NAME	Q'TY / PAGE	Q'TY / PACK	REMARKS
86 90 91 93	6LS04366000 6LS04015000 6LS04016000 6LS04787000	Screw Positioning shaft fixing plate Positioning shaft adjust plate Bearing			

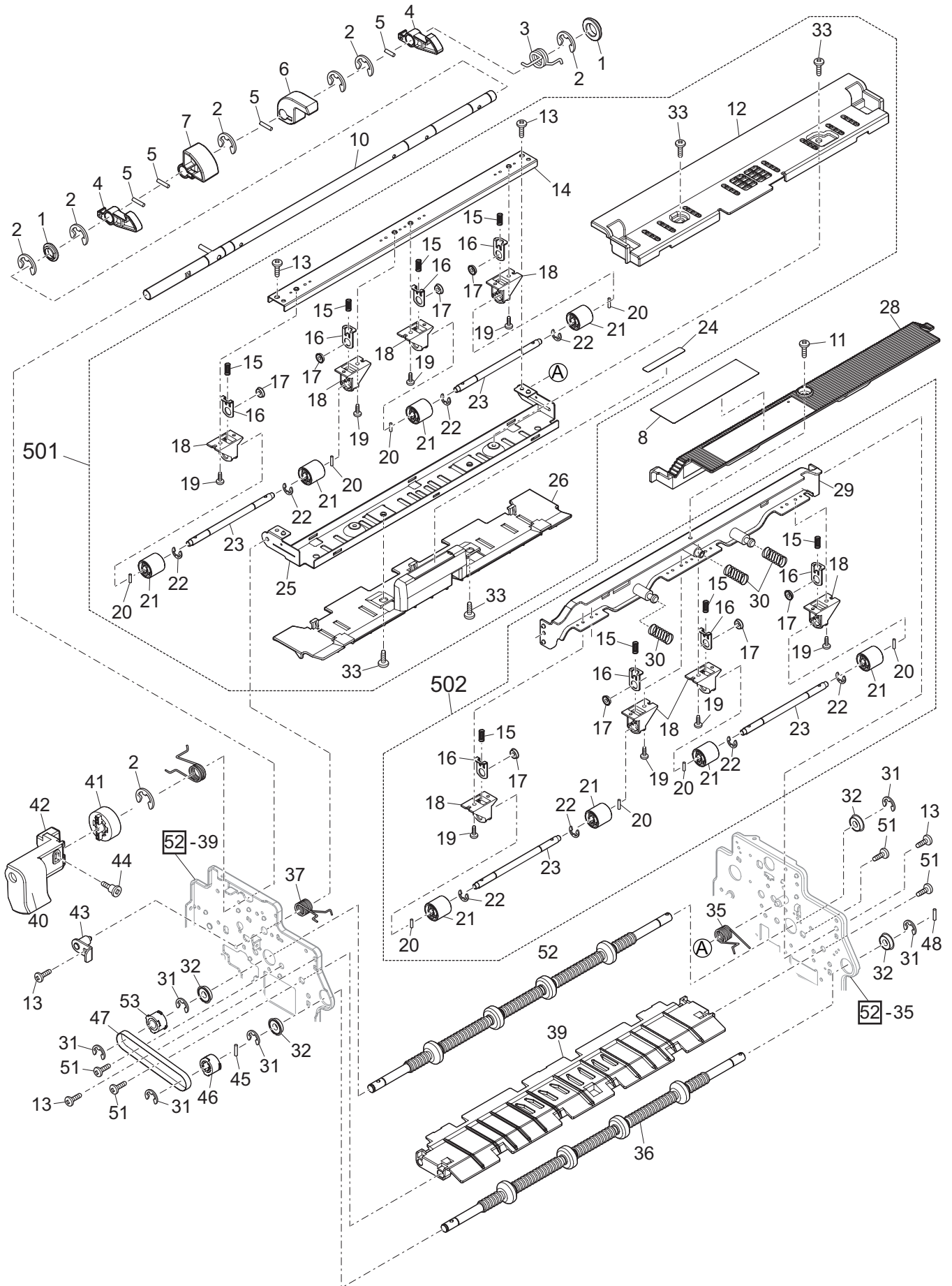


ITEM No.	PART No.	PART NAME	Q'TY / PAGE	Q'TY / PACK	REMARKS
1	6LS03050000	Rocking unit fixing plate			
2	6LS05355000	U-turn collar			
3	6LA58923000	E ring			
4	6LS03051000	Upper pawl rocking plate			
5	6LS04287000	Step screw			
6	6LS04701000	Upper pawl spring			
7	6LS05981000	Fusing upper separate pawl			
8	6LS03942000	Upper separate pawl fixing plate			
9	6LS04323000	Screw			
10	6LS03943000	Rear upper paper guide reinforce plate			
11	6LS04700000	Paper guide slide spring			
12	6LS05598000	Fusing rear upper paper guide			
13	6LS06194000	Screw			

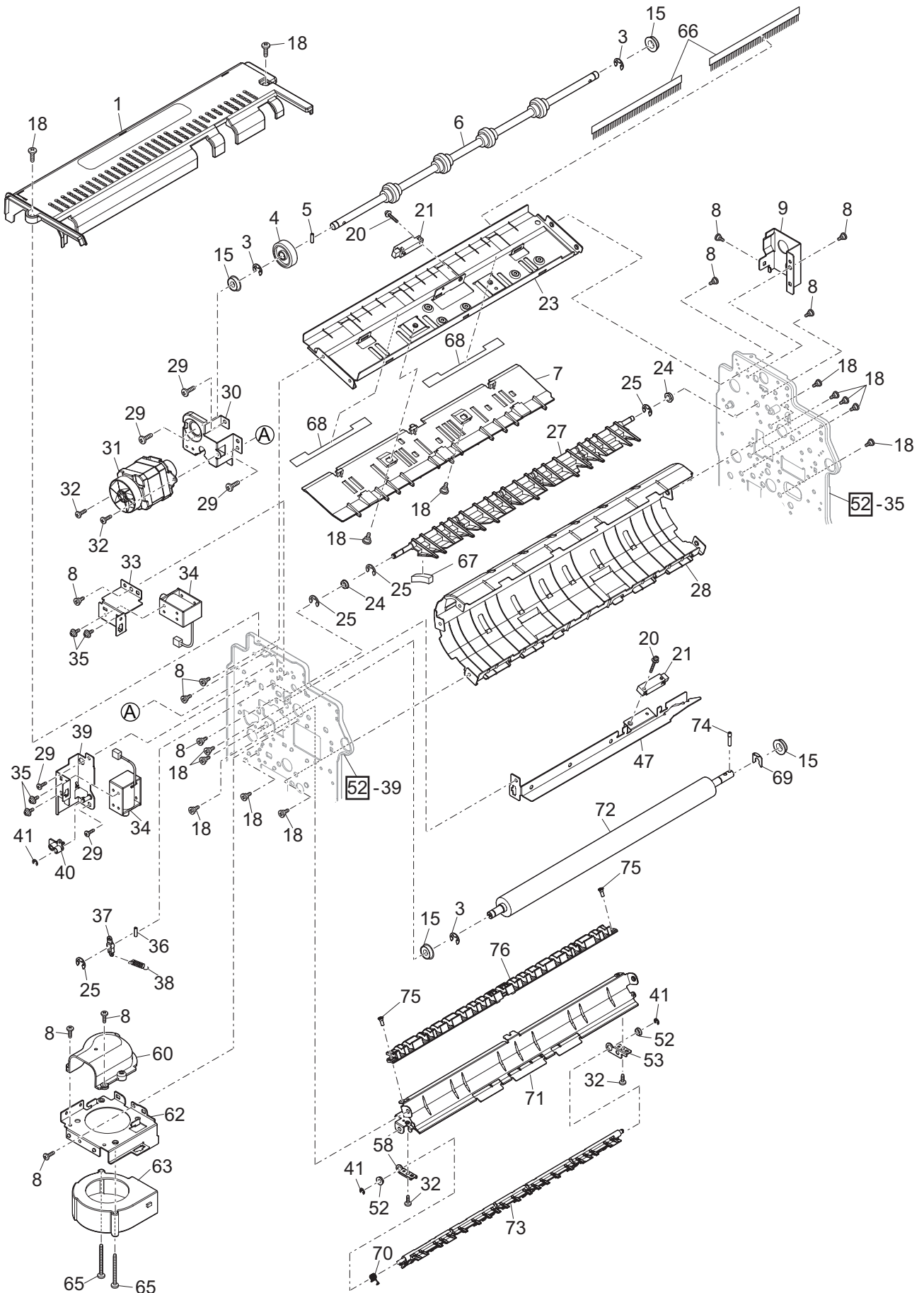


ITEM No.	PART No.	PART NAME	Q'TY / PAGE	Q'TY / PACK	REMARKS
1	6LS05497000	Delivery duct			
2	6LA58794800	Screw			
3	6LS05693000	Delivery duct cushion			
6	6LS03923000	Delivery duct fixing plate			
7	6LS06171000	Detect sensor			
8	6LS06188000	Screw			
9	6LS03940000	POIND fixing plate			
10	6LS05495000	ADU duct			
11	6LS05694000	ADU duct cushion			
12	6LS03922000	ADU duct fixing plate			
15	6LS04093000	DSBD2 fixing plate			
18	6LS06164000	Photo sensor			
19	6LA58794400	Screw			
20	6LS03046000	ADU positioning plate R			
22	6LS03934000	Drawer fixing plate upper			
25	6LA58794500	Screw			
30	6LS03935000	Drawer fixing plate lower			
32	6LS03926000	Rail fixing plate			
35	6LS02949000	ADU frame R			
36	6LS05533000	ADU base paper guide			
37	6LS05436000	ADU motor cover			
38	6LS03045000	ADU positioning plate F			
39	6LS02948000	ADU positioning plate F			
40	6LS05435000	ADU frame F			
41	6LS03925000	Sub frame fixing plate L			
42	6LS04362000	Screw			
44	6LS05529000	Harness guide			
45	6LS03936000	U turn paper guide adjust plate			
48	6LS03927000	Sub frame fixing plate upper			
49	6LS03924000	Sub frame fixing plate R			
50	6LS05434000	Motor cover lower			
51	6LS03575000	ADU sub frame			
52	6LS05437000	ADU left lower cover			
53	6LS05536000	SB upper paper guide			
54	6LS05537000	SB lower paper guide			
56	6LS04874000	Radiate fan			
57	6LS06182000	Screw			
58	6LS03941000	ADU down stream fan fixing plate			
59	6LS03691000	ADU follower shaft bearing holder			
60	6LS06679000	Ball bearing			
61	6LS04703000	ADU follower roller pressure spring			
62	6LS03745000	Spring pin			
63	6LS05042000	ADU follower roller			
64	41330609600	E ring			
65	6LS05225000	ADU follower roller shaft			
66	6LS03938000	ADU follower roller fixing plate			
68	6LS04252000	Screw			
69	6LS06250000	Washer			
70	6LS04343000	Step screw			
71	6LS04363000	Step screw			
73	6LS05952000	Gate silence sheet			
75	6LS05875000	ADU harness fixing sheet			
77	6LS03708000	Alignment Holder F			
78	6LS03709000	Alignment Holder R			
79	6LA58792100	Screw			
501	6LS06605000	ADU follower roller fixing plate unit			
901	6LS06606000	Delivery ADU unit			(Include Block[51]~[56])

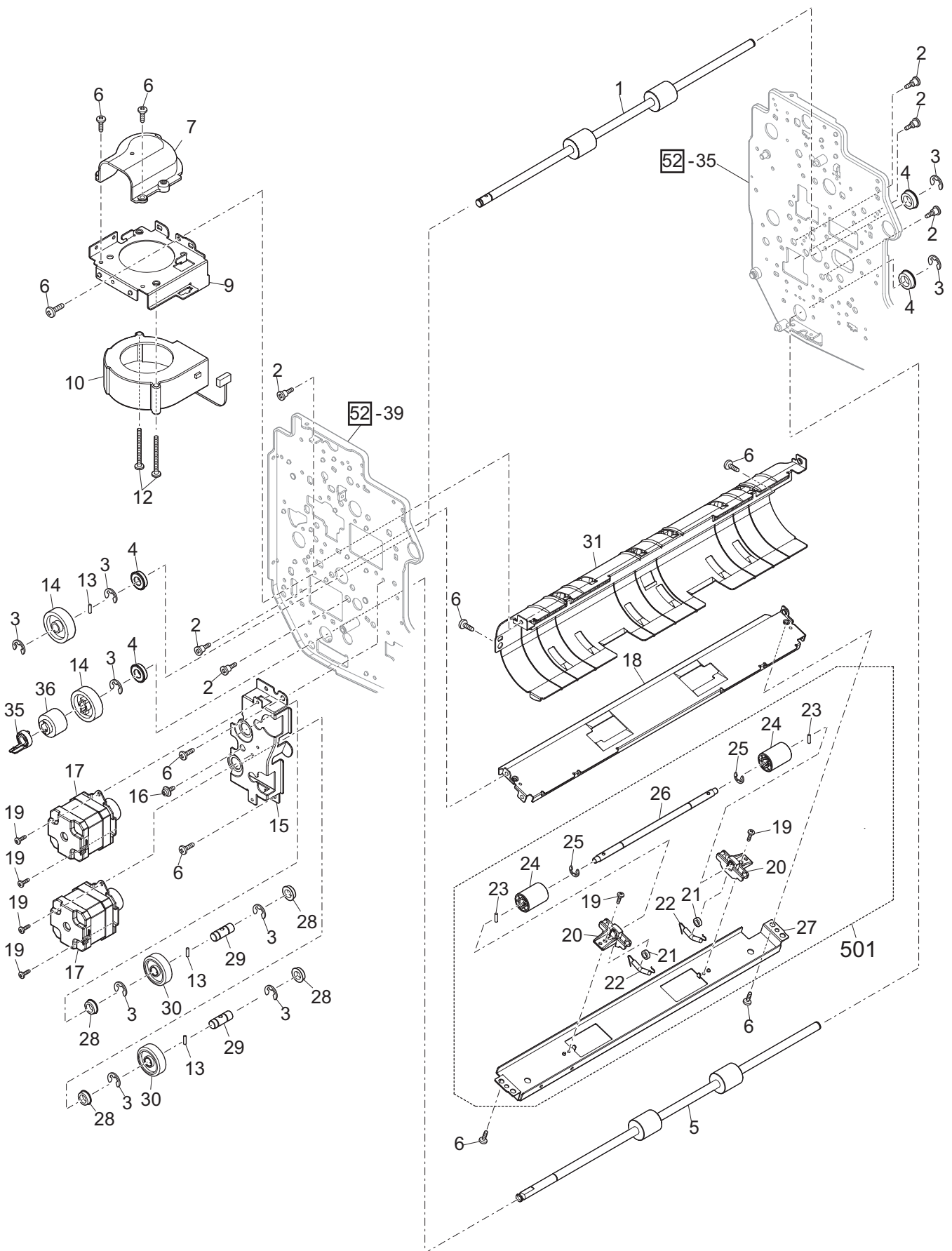




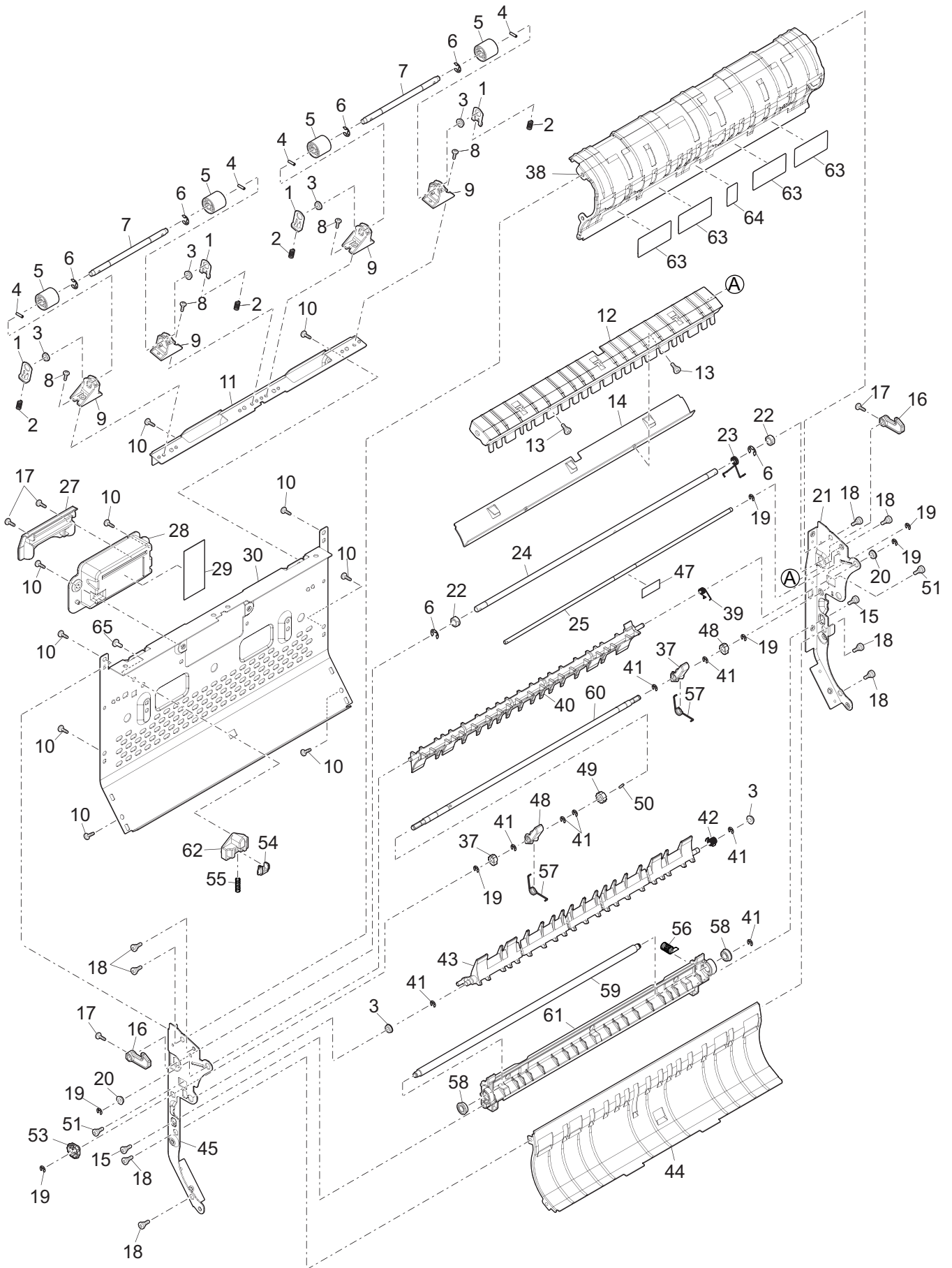
ITEM No.	PART No.	PART NAME	Q'TY / PAGE	Q'TY / PACK	REMARKS
1	6LS04784000	Bearing			
2	6LS06244000	E ring			
3	6LS04624000	ADU lock pawl spring			
4	6LS05982000	ADU lock pawl			
5	6LS06684000	Pin			
6	6LS04402000	Stopper link arm			
7	6LS04132000	ADU stopper release plate			
8	6LS02919000	High temperature caution felt			
10	6LS06607000	ADU lock shaft			
11	6LS06178000	Screw			
12	6LS05438000	Front upper paper guide cover			
13	6LA58794800	Screw			
14	6LS03939000	Follower holder fixing plate			
15	6LS04562000	Delivery follower roller spring			
16	6LS04224000	Follower bearing support plate			
17	6LS04843000	Bearing			
18	6LS03690000	Delivery roller bearing holder			
19	6LA58794400	Screw			
20	6LS03745000	Spring pin			
21	6LS05043000	Delivery follower roller			
22	41330609600	E ring			
23	6LS05224000	Delivery follower roller shaft			
24	6LS06125000	Green label			
25	6LS03968000	Delivery front upper paper guide fixing plate			
26	6LS05615000	Delivery front upper paper guide			
28	6LS05439000	Stay cover			
29	6LS03146000	ADU stay L			
30	6LS04577000	Rocking unit fixing pressure spring			
31	6LA58928000	E ring			
32	6LS06487000	Bearing			
33	6LS04343000	Step screw			
35	6LS04627000	Delivery front upper paper guide spring R			
36	6LS05067000	Fusing rear roller			
37	6LS04625000	Delivery front upper paper guide spring F			
39	6LS05633000	Delivery front lower paper guide			
40	6LS04626000	ADU lock release lever spring			
41	6LS05344000	ADU lever limiter			
42	6LS04486000	ADU lock release lever			
43	6LS03048000	Paper guide fulcrum plate			
44	6LS04258000	Step screw			
45	6LS03741000	Pin			
46	6LS05008000	Pulley			
47	6LS04753000	Belt			
48	6LS04361000	Screw			
51	6LS04256000	Step screw			
52	6LS05087000	Delivery front roller			
53	6LS05025000	Pulley			
501	6LS06608000	Delivery front upper paper guide unit			
502	6LS06609000	ADU stay L			



ITEM No.	PART No.	PART NAME	Q'TY / PAGE	Q'TY / PACK	REMARKS
1	6LS05440000	Delivery upper cover			
3	6LA58928000	E ring			
4	6LS04897000	Fusing drive gear			
5	6LS03741000	Pin			
6	6LS05068000	Delivery roller			
7	6LS05599000	Delivery rear upper support paper guide			
8	6LA58794800	Screw			
9	6LS03930000	Delivery roller fixing plate R			
15	6LS06487000	Bearing			
18	6LS04343000	Step screw			
20	6LS06188000	Screw			
21	6LS06171000	Detect sensor			
23	6LS05530000	Delivery rear upper paper guide			
24	6LS04843000	Bearing			
25	41330609500	E ring			
27	6LS05600000	FU/FD switch gate			
28	6LS05531000	Reverse upper paper guide			
29	6LS04362000	Screw			
30	6LS03929000	Delivery roller fixing plate F			
31	6LS06088000	Delivery motor			
32	6LA58794400	Screw			
33	6LS03928000	Delivery solenoid fixing plate			
34	6LS06096000	Gate solenoid			
35	6LA58792700	Screw			
36	6LS03745000	Spring pin			
37	6LS04422000	FU/FD switch solenoid arm			
38	6LS04702000	FU/FD switch solenoid spring			
39	6LS03047000	ADU solenoid fixing plate			
40	6LS04421000	Reverse ADU switch arm			
41	6LA58923000	E ring			
47	6LS03937000	DSBD1 fixing plate			
52	6LS04844000	Bearing			
53	6LS04226000	Gate support plate R			
58	6LS04225000	Gate support plate F			
60	6LS05496000	ADU joint duct			
62	6LS03933000	Delivery ADU fan fixing plate			
63	6LS04872000	Lock fan B			
65	6LS06183000	Screw			
66	6LS05330000	Discharger brush			
67	6LS05950000	Gate silence sheet			
68	6LS05874000	Delivery roller sheet			
69	6LS04187000	Wire fixing stopper			
70	6LS04642000	ADU reverse gate spring			
71	6LS05549000	Paper feed right paper guide			
72	6LS05082000	Decurler roller			
73	6LS05632000	ADU reverse gate			
74	6LS04361000	Screw			
75	6LS04291000	Step screw			
76	6LS05631000	Paper feed upper paper guide			

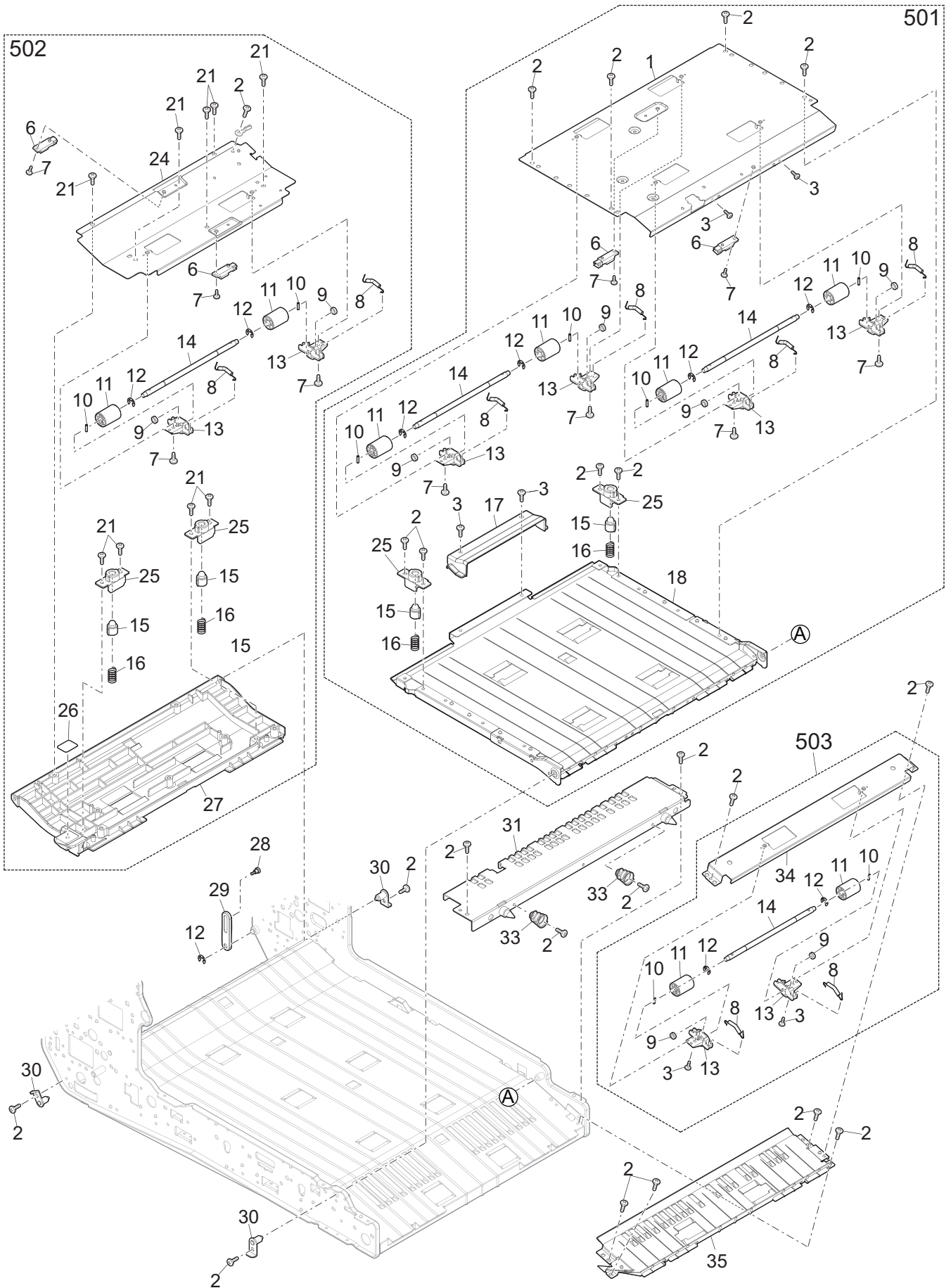


ITEM No.	PART No.	PART NAME	Q'TY / PAGE	Q'TY / PACK	REMARKS
1	6LS05070000	ADU transport roller			
2	6LS04343000	Step screw			
3	6LA58928000	E ring			
4	6LS06487000	Bearing			
5	6LS05088000	SB roller			
6	6LA58794800	Screw			
7	6LS05496000	ADU joint duct			
9	6LS03933000	Delivery ADU fan fixing plate			
10	6LS04872000	Lock fan B			
12	6LS06183000	Screw			
13	6LS03741000	Pin			
14	6LS04897000	Fusing drive gear			
15	6LS03931000	Reverse motor fixing plate			
16	6LS06193000	Screw			
17	6LS06080000	Delivery-ADU motor			
18	6LS05534000	FD lower paper guide			
19	6LA58794400	Screw			
20	6LS03691000	ADU follower shaft bearing holder			
21	6LS06679000	Ball bearing			
22	6LS04703000	ADU follower roller pressure spring			
23	6LS03745000	Spring pin			
24	6LS05042000	ADU follower roller			
25	41330609600	E ring			
26	6LS05225000	ADU follower roller shaft			
27	6LS03938000	ADU follower roller fixing plate			
28	6LS04828000	DR drive bearing			
29	6LS05226000	ADU idle pulley shaft			
30	6LS04912000	Gear			
31	6LS05532000	Reverse lower paper guide			
35	6LS04143000	SB limiter fixing plate			
36	6LS05347000	SB torque limiter			
501	6LS06605000	ADU follower roller fixing plate unit			

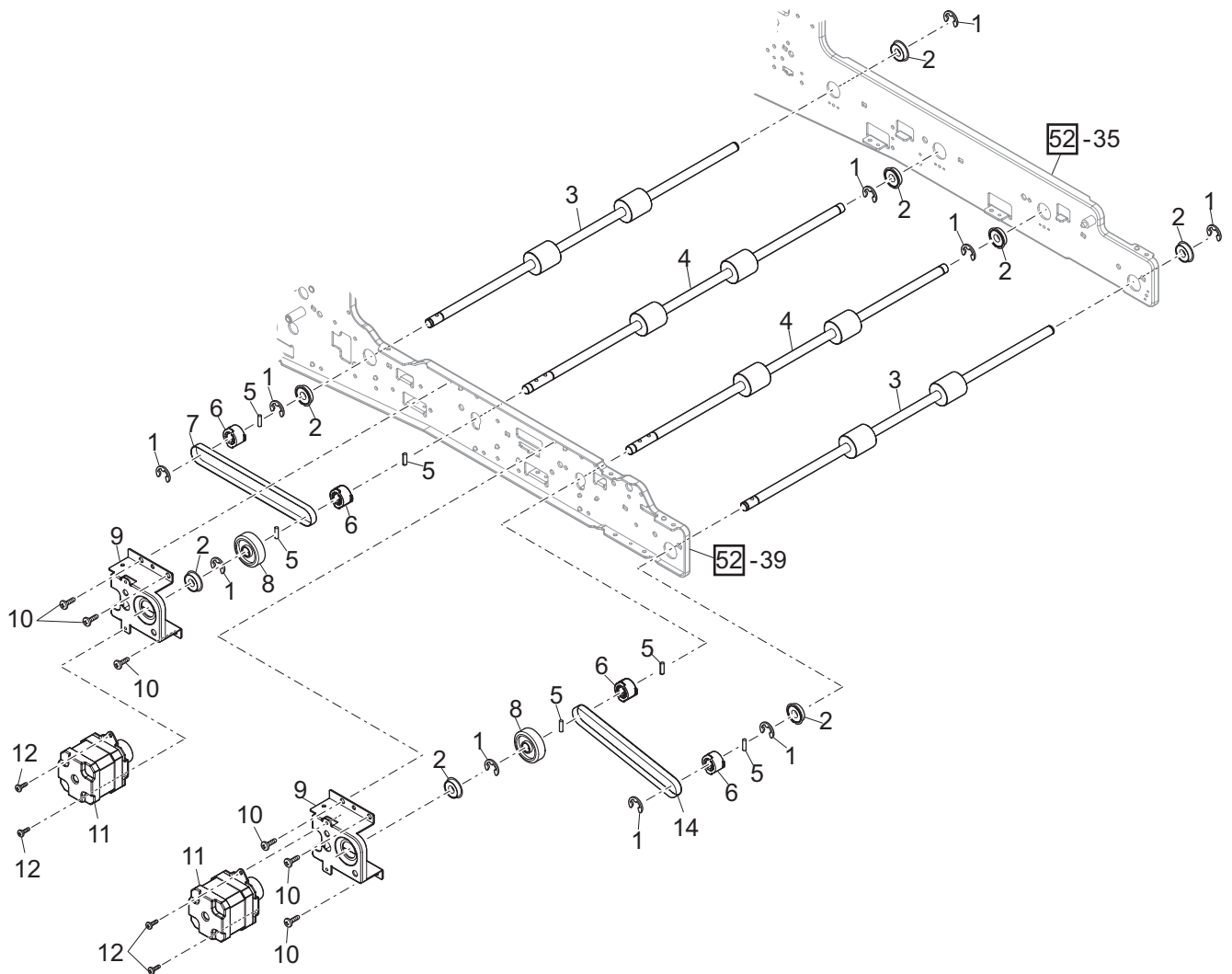


ITEM No.	PART No.	PART NAME	Q'TY / PAGE	Q'TY / PACK	REMARKS
1	6LS04224000	Follower bearing support plate			
2	6LS04562000	Delivery follower roller spring			
3	6LS04843000	Bearing			
4	6LS03745000	Spring pin			
5	6LS05043000	Delivery follower roller			
6	41330609600	E ring			
7	6LS05224000	Delivery follower roller shaft			
8	6LA58794400	Screw			
9	6LS03690000	Delivery roller bearing holder			
10	6LA58794800	Screw			
11	6LS03967000	Follower block fixing plate			
12	6LS05612000	Open/close left junction upper paper guide			
13	6LS04291000	Step screw			
14	6LS05544000	Open/close left junction lower paper guide			
15	6LS04256000	Step screw			
16	6LS05983000	Open/close left paper guide lock pawl			
17	6LA58792800	Screw			
18	6LS04343000	Step screw			
19	6LA58923000	E ring			
20	6LS04844000	Bearing			
21	6LS03581000	Open/close left frame R			
22	6LS06765000	Bearing			
23	6LS04630000	Open/close left paper guide lock pawl spring			
24	6LS05248000	Open/close left paper guide lock shaft			
25	6LS05273000	Delivery support collar shaft			
27	6LS04490000	Open/close left paper guide lever			
28	6LS03705000	Open/close left paper guide lever holder			
29	6LS05922000	Motor protect sheet			
30	6LS03966000	Open/close left base plate			
37	6LS03704000	Decurler adjustment shaft holder			
38	6LS05548000	Open/close left upper paper guide			
39	6LS04631000	Delivery reverse gate spring			
40	6LS05613000	Delivery reverse gate			
41	41330609500	E ring			
42	6LS04641000	Reverse ADU switch gate spring			
43	6LS05614000	Reverse ADU switch gate			
44	6LS05543000	Open/close left lower paper guide			
45	6LS03580000	Open/close left frame F			
47	6LS05947000	ADU reflect protection sheet			
48	6LS03513000	Decurler adjust block			
49	6LS03514000	Decurler angle block			
50	6LS06685000	Spring pin			
51	6LS03738000	Pin			
53	6LS04499000	Adjust lever			
54	6LS04515000	Decurler lock			
55	6LS04591000	Decurler lock spring			
56	6LS04592000	Decurler follower shaft earth spring			
57	6LS04640000	Open/close left upper paper guide spring			
58	6LS06680000	Bearing			
59	6LS05264000	Decurler shaft			
60	6LS05265000	Decurler adjust shaft			
61	6LS05629000	Decurler paper guide			
62	6LS05630000	Decurler lock guide			
63	6LS05880000	Decurler shaft sheet F			
64	6LS05881000	Decurler shaft sheet CF			
65	6LS06210000	Screw			
901	6LS06610000	Open/close left paper guide unit			

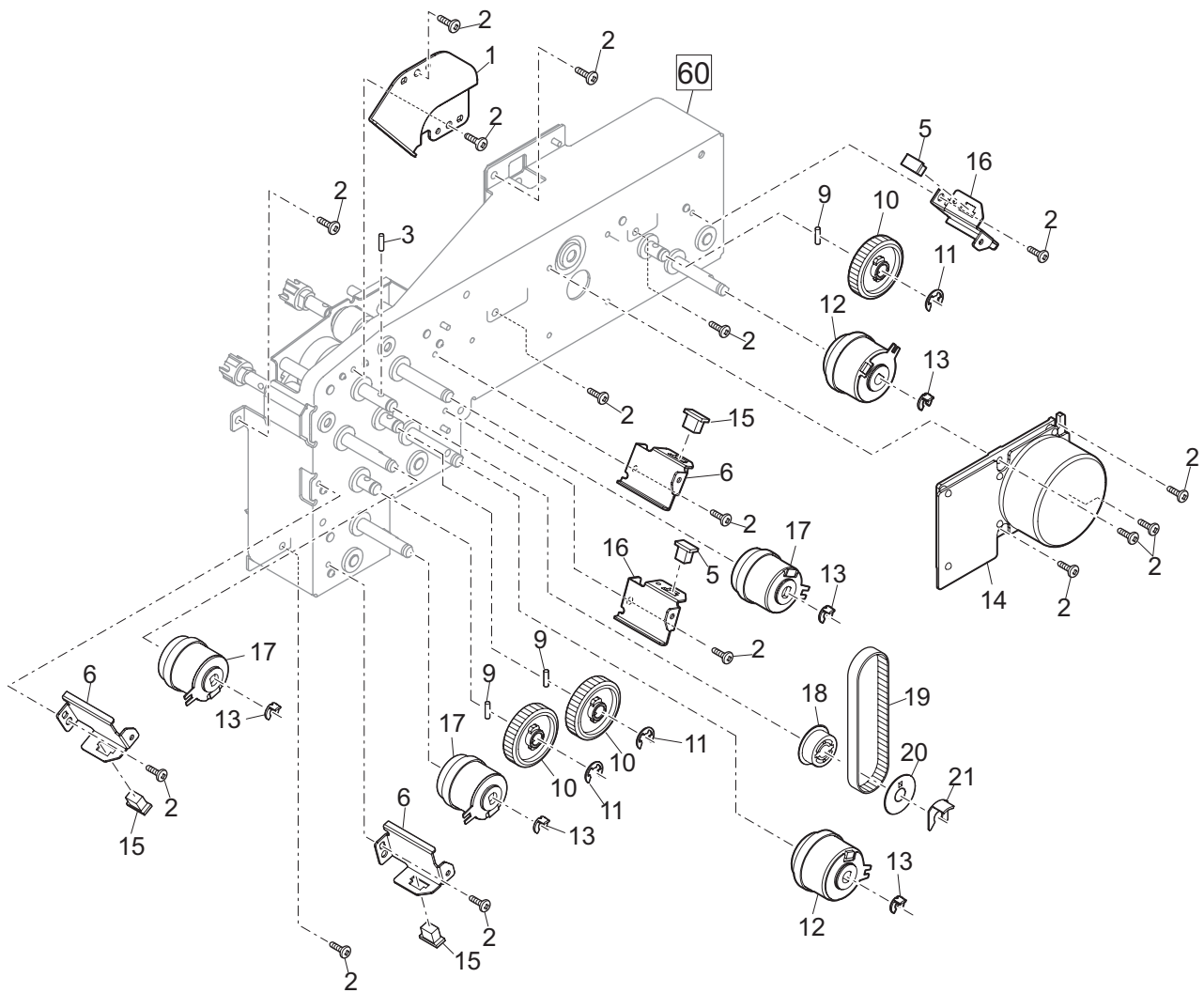




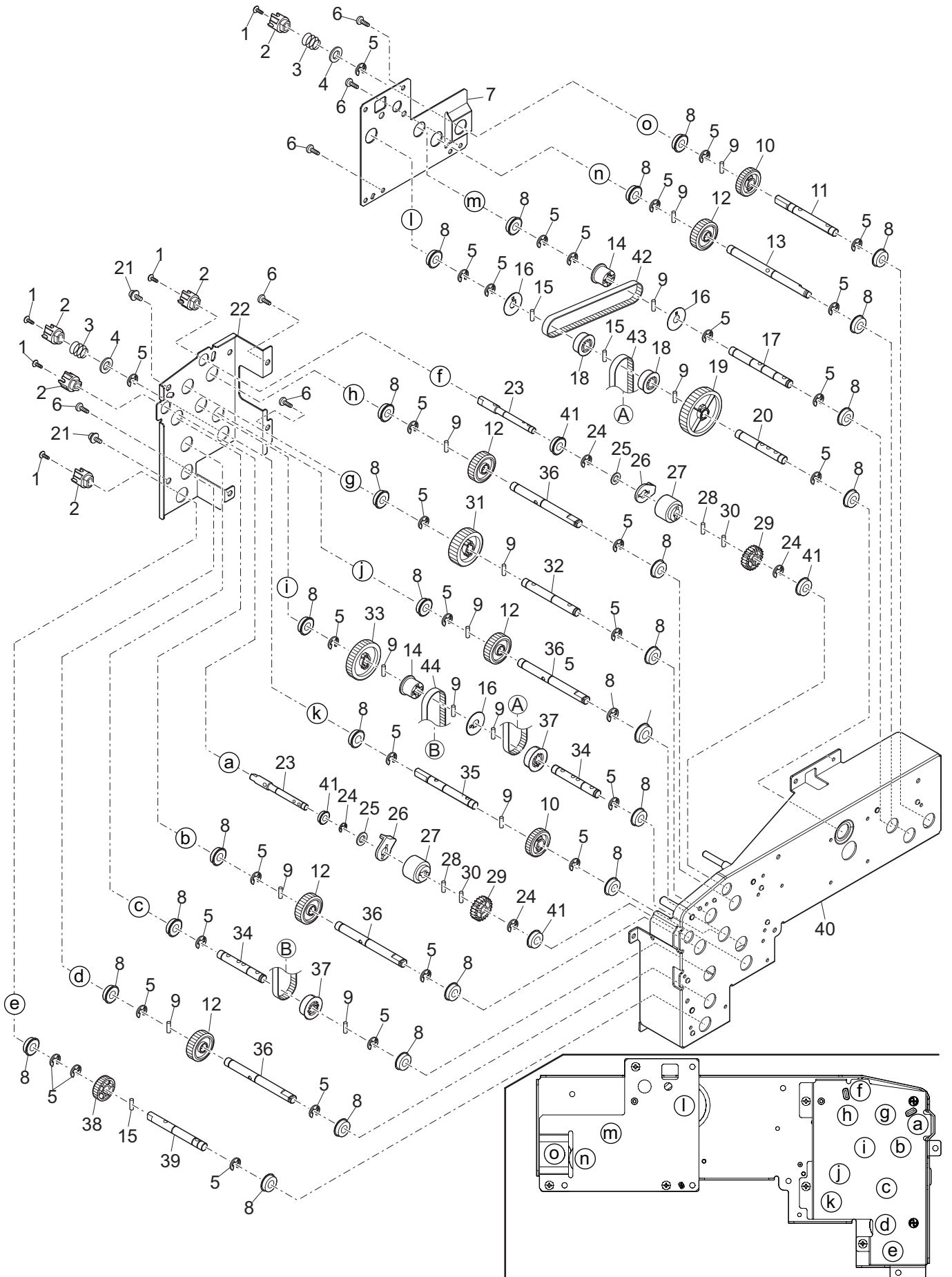
ITEM No.	PART No.	PART NAME	Q'TY / PAGE	Q'TY / PACK	REMARKS
1	6LS03989000	Open/close right fixing plate			
2	6LA58794800	Screw			
3	6LA58794400	Screw			
6	6LS06164000	Photo sensor			
7	6LS04357000	Screw			
8	6LS04703000	ADU follower roller pressure spring			
9	6LS06679000	Ball bearing			
10	6LS03745000	Spring pin			
11	6LS05042000	ADU follower roller			
12	41330609600	E ring			
13	6LS03691000	ADU follower shaft bearing holder			
14	6LS05225000	ADU follower roller shaft			
15	6LS03505000	Open/close paper guide fixing block			
16	6LS04564000	Open/close paper guide fixing spring			
17	6LS03453000	Open/close right handle			
18	6LS02972000	Open/close right PG			
21	6LS06210000	Screw			
24	6LS03969000	Open/close middle paper guide reinforce plate			
25	6LS03692000	Open/close paper guide fixing holder			
26	6LS06127000	Open/close green label			
27	6LS05616000	Open/close middle paper guide			
28	6LS04343000	Step screw			
29	6LS04182000	Open/close left paper guide stopper			
30	6LS03048000	Paper guide fulcrum plate			
31	6LS03145000	ADU stay R			
33	6LS04563000	ADU return spring			
34	6LS03938000	ADU follower roller fixing plate			
35	6LS05535000	ADU delivery paper guide			
501	6LS06611000	Open/close right paper guide			
502	6LS06612000	Open/close middle paper guide unit			
503	6LS06605000	ADU follower roller fixing plate unit			





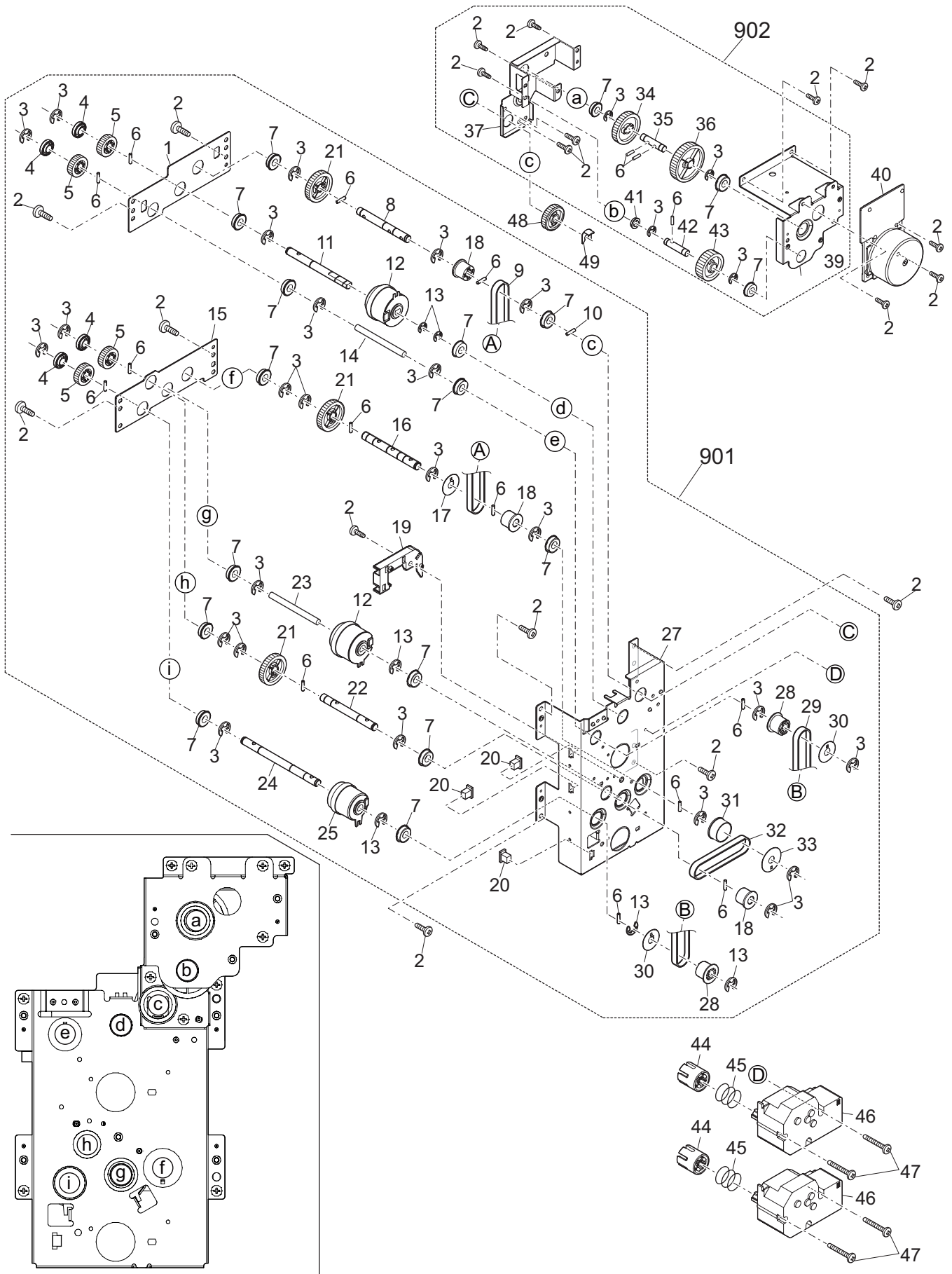


ITEM No.	PART No.	PART NAME	Q'TY / PAGE	Q'TY / PACK	REMARKS
1	6LS03890000	Pitch fixing plate			
2	6LA58794800	Screw			
3	6LS03735000	Spring pin			
5	6LS06019000	Interface connector			
6	6LS03837000	3PIN connector fixing plate			
9	6LS03741000	Pin			
10	6LS04937000	Clutch joint gear			
11	6LA58928000	E ring			
12	6LS05339000	Paper feed clutch			
13	6LS10187000	Resin ring			
14	6LS06074000	Paper feed motor			
15	6LS06020000	Interface connector			
16	6LS03839000	2PIN connector fixing plate			
17	6LS05338000	Transport clutch			
18	6LS05010000	Pulley			
19	6LS04762000	Belt			
20	6LS05798000	Pulley sheet			
21	6LS04188000	Wire fixing stopper			
901	6LS02934000	Tandem drive unit			

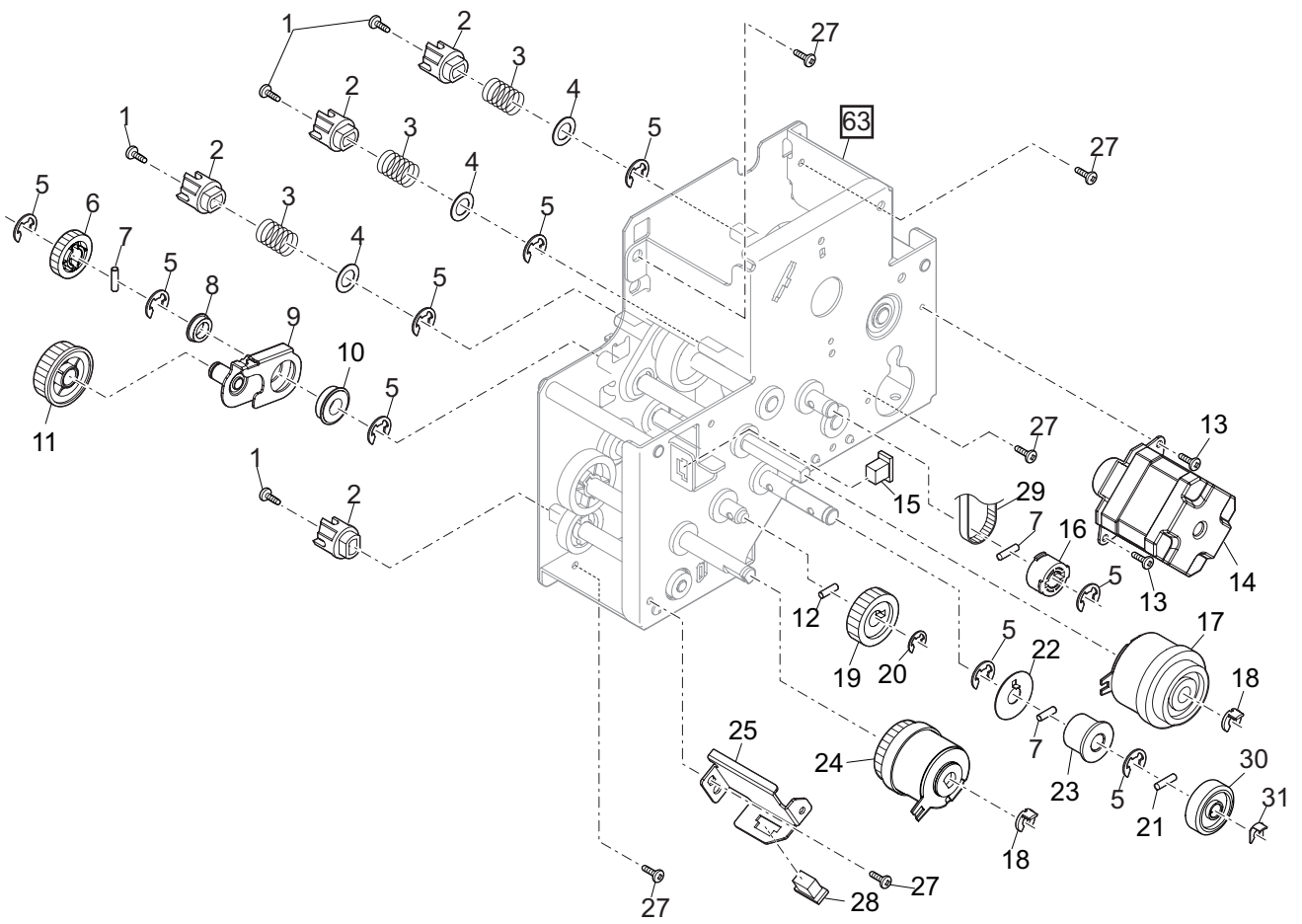


ITEM No.	PART No.	PART NAME	Q'TY / PAGE	Q'TY / PACK	REMARKS
1	6LS04297000	Screw			
2	6LS04852000	Coupling HC			
3	6LS04555000	Transport coupling spring			
4	6LS04392000	Washer			
5	6LA58928000	E ring			
6	6LA58794800	Screw			
7	6LS03548000	Tandem 1CS drive frame lower			
8	6LS04830000	Bearing			
9	6LS03741000	Pin			
10	6LS04895000	Gear			
11	6LS05187000	Tandem 1 paper feed shaft			
12	6LS04912000	Gear			
13	6LS05189000	Tandem 1 clutch shaft			
14	6LS05009000	Paper feed joint pulley			
15	6LS03729000	Pin			
16	6LS05798000	Pulley sheet			
17	6LS05192000	Tandem 1 interface shaft			
18	6LS04995000	Pulley			
19	6LS04931000	Transfer drive gear B			
20	6LS05190000	Transport motor joint shaft			
21	6LS06194000	Screw			
22	6LS03547000	Tandem 2CS drive frame lower			
23	6LS05193000	Tandem transport roller shaft			
24	41330609600	E ring			
25	6LS10190000	Washer			
26	6LS04190000	TL stopper			
27	6LS05342000	Transport torque limiter			
28	6LS03744000	Spring pin			
29	6LS04886000	Gear			
30	6LS03727000	Pin			
31	6LS04938000	Transport joint gear			
32	6LS05194000	Tandem transport interface shaft			
33	6LS04937000	Clutch joint gear			
34	6LS05191000	Transport joint shaft			
35	6LS05186000	Tandem 2 paper feed shaft			
36	6LS05188000	Tandem clutch shaft			
37	6LS05010000	Pulley			
38	6LS04882000	DV drive gear-R			
39	6LS05255000	Vertical transport roller drive shaft			
40	6LS06846000	Tandem drive frame upper			
41	6LS04836000	Bearing			
42	6LS04730000	Belt			
43	6LS04738000	Belt			
44	6LS04731000	Belt			

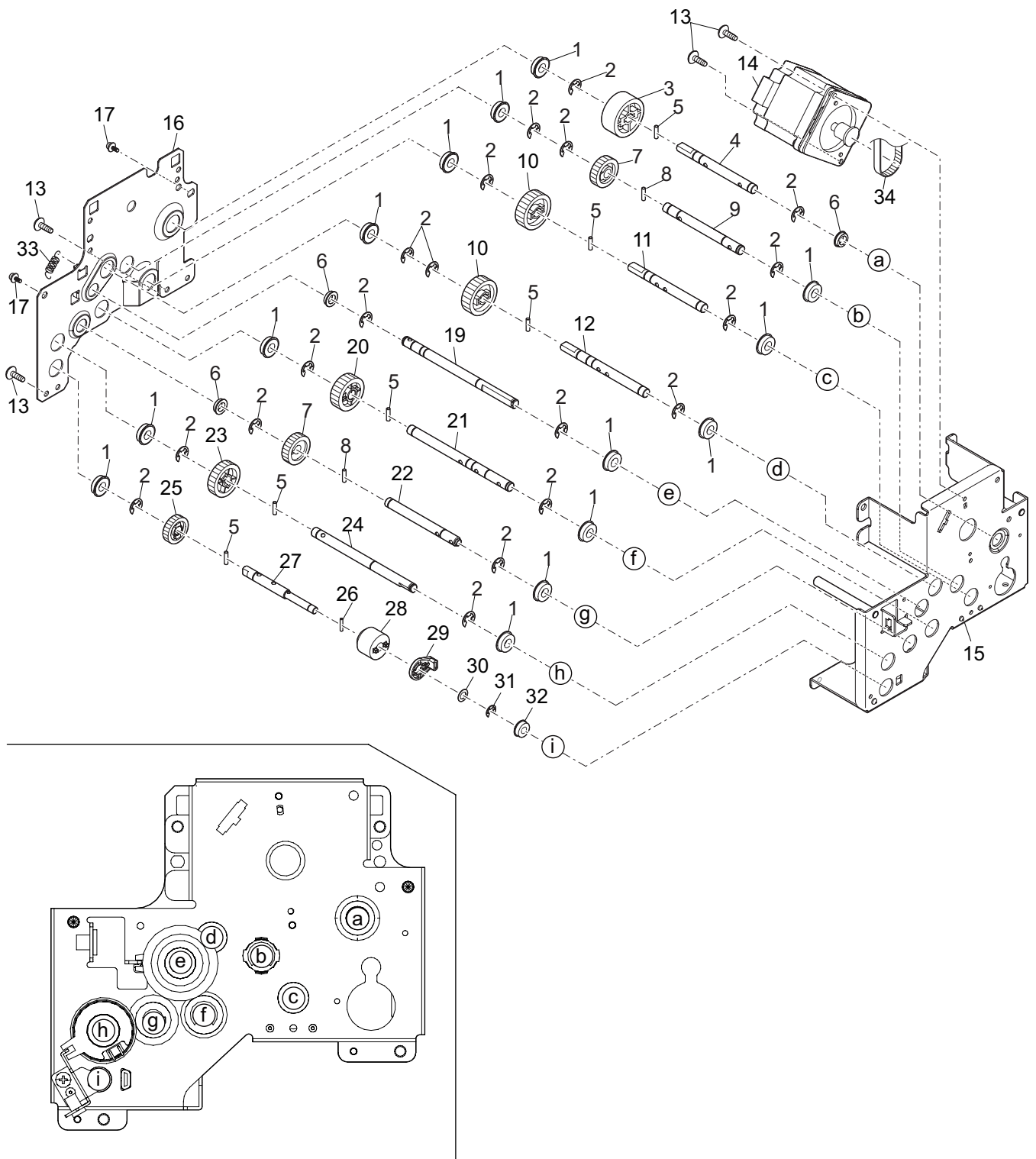




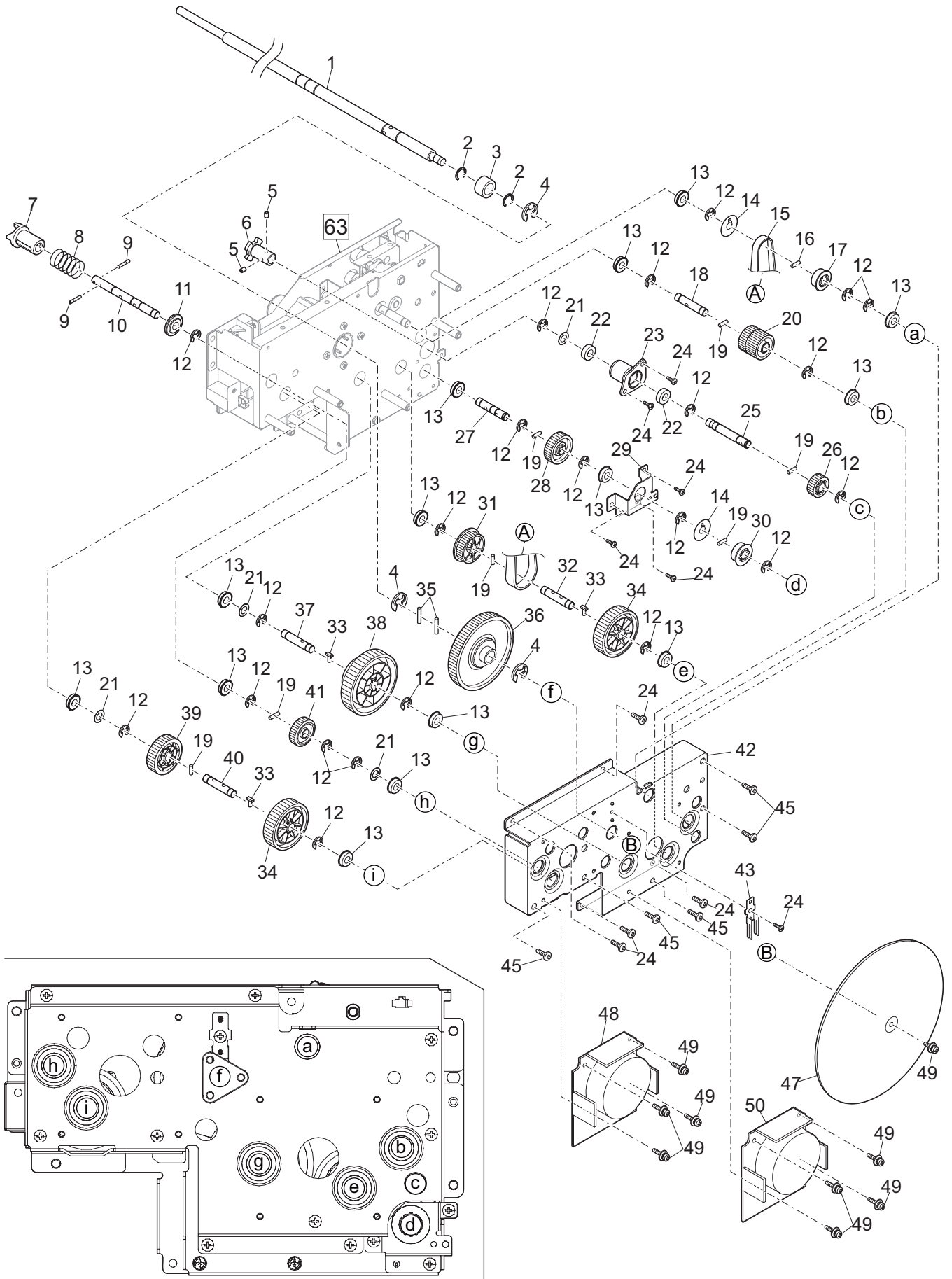
ITEM No.	PART No.	PART NAME	Q'TY / PAGE	Q'TY / PACK	REMARKS
1	6LS03540000	Multiple steps drive frame lower			
2	6LA58794800	Screw			
3	6LA58928000	E ring			
4	6LS05357000	Drive joint collar			
5	6LS04925000	Gear			
6	6LS03741000	Pin			
7	6LS04830000	Bearing			
8	6LS05197000	Multiple steps drive shaft			
9	6LS04735000	Belt			
10	6LS03735000	Spring pin			
11	6LS05142000	Clutch shaft			
12	6LS05340000	Multiple steps paper feed clutch			
13	41330609600	E ring			
14	6LS05148000	Separate rear shaft			
15	6LS03538000	Multiple steps drive frame lower B			
16	6LS05147000	Multiple steps drive shaft 2			
17	6LS05822000	Small pulley sheet			
18	6LS05009000	Paper feed joint pulley			
19	6LS05587000	Clutch harness guide			
20	6LS06019000	Interface connector			
21	6LS04926000	Gear			
22	6LS05140000	Multiple steps drive shaft			
23	6LS05146000	Paper feed clutch shaft 2			
24	6LS05141000	Separate rear shaft			
25	6LS05341000	Transport clutch			
27	6LS03539000	Multiple steps drive frame upper			
28	6LS04997000	Pulley			
29	6LS04743000	Belt			
30	6LS05798000	Pulley sheet			
31	6LS04993000	Pulley			
32	6LS04728000	Belt			
33	6LS05800000	Belt fixing sheet			
34	6LS04938000	Transport joint gear			
35	6LS05195000	Multiple steps motor shaft			
36	6LS04931000	Transfer drive gear B			
37	6LS03550000	Multiple steps drive frame lower			
39	6LS03549000	Multiple steps drive frame upper			
40	6LS06074000	Paper feed motor			
41	6LS04828000	DR drive bearing			
42	6LS05196000	Multiple steps drive joint shaft			
43	6LS04937000	Clutch joint gear			
44	6LS04851000	Lift coupling			
45	6LS04530000	Lift up spring			
46	6LS06683000	Lift motor A			
47	6LS06224000	Screw			
48	6LS04895000	Gear			
49	6LS04188000	Wire fixing stopper			
901	6LS02923000	Multiple steps drive unit B			
902	6LS02935000	Multiple steps drive unit			



ITEM No.	PART No.	PART NAME	Q'TY / PAGE	Q'TY / PACK	REMARKS
1	6LS04297000	Screw			
2	6LS04852000	Coupling HC			
3	6LS04555000	Transport coupling spring			
4	6LS04392000	Washer			
5	6LA58928000	E ring			
6	6LS04927000	Gear			
7	6LS03741000	Pin			
8	6LS04828000	DR drive bearing			
9	6LS03011000	Drive joint plate			
10	6LS04830000	Bearing			
11	6LS04929000	Drive gear			
12	6LS03729000	Pin			
13	6LA58794400	Screw			
14	6LS06078000	Transport motor			
15	6LS06019000	Interface connector			
16	6LS05008000	Pulley			
17	6LS05339000	Paper feed clutch			
18	6LS10187000	Resin ring			
19	6LS04880000	Idle gear			
20	41330609600	E ring			
21	6LS03735000	Spring pin			
22	6LS05798000	Pulley sheet			
23	6LS05009000	Paper feed joint pulley			
24	6LS05338000	Transport clutch			
25	6LS03837000	3PIN connector fixing plate			
27	6LA58794800	Screw			
28	6LS06020000	Interface connector			
29	6LS04745000	Belt			
30	6LS04897000	Fusing drive gear			
31	6LS04188000	Wire fixing stopper			
901	6LS02927000	Transport drive unit			

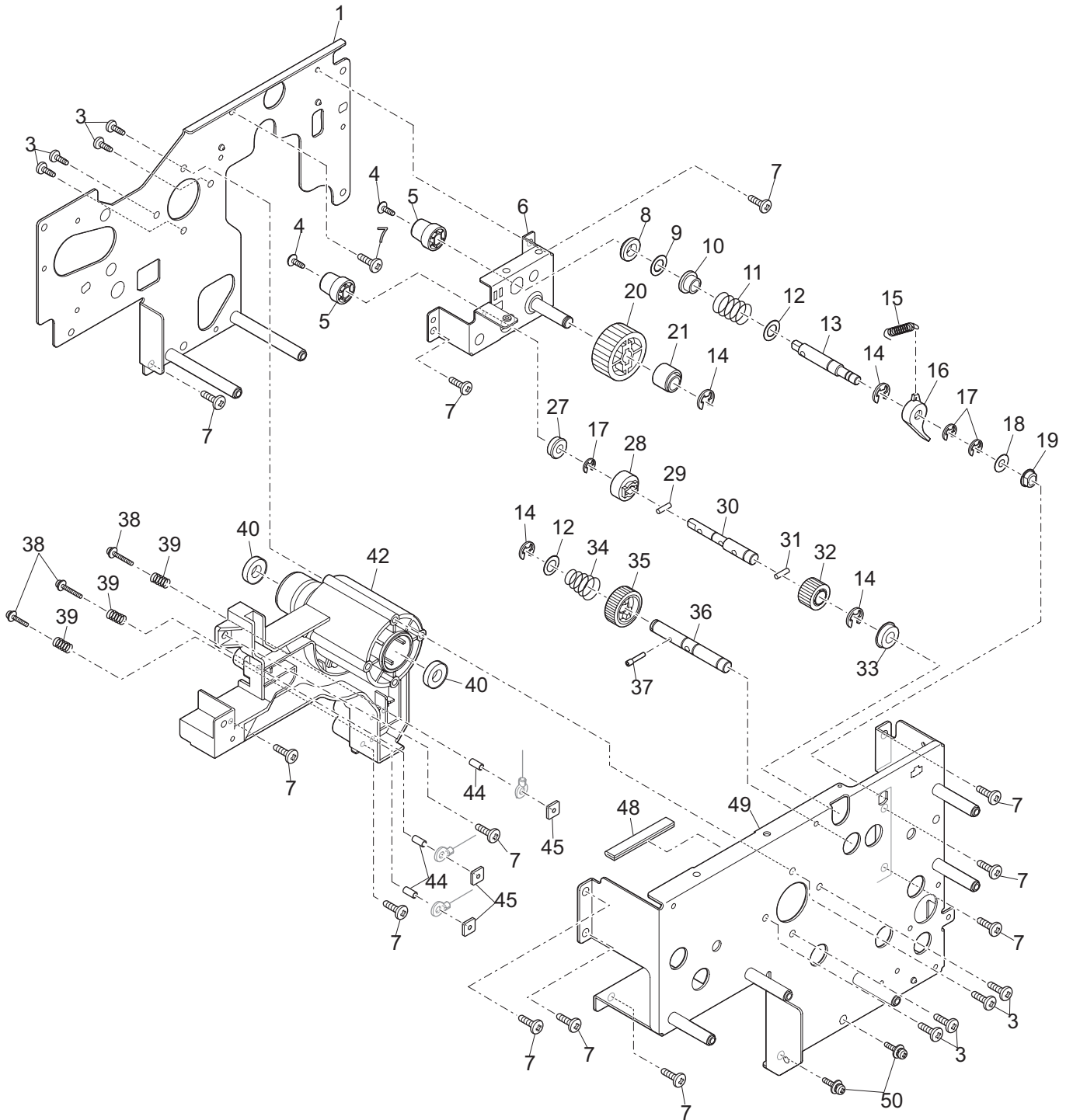


ITEM No.	PART No.	PART NAME	Q'TY / PAGE	Q'TY / PACK	REMARKS
1	6LS04830000	Bearing			
2	6LA58928000	E ring			
3	6LS04893000	Gear			
4	6LS05163000	PS front drive shaft			
5	6LS03741000	Pin			
6	6LS04828000	DR drive bearing			
7	6LS04880000	Idle gear			
8	6LS03729000	Pin			
9	6LS05162000	VPM interface shaft			
10	6LS04897000	Fusing drive gear			
11	6LS05165000	Transport VPM drive shaft			
12	6LS05164000	VPM drive shaft			
13	6LA58794800	Screw			
14	6LS06079000	Vertical transport motor			
15	6LS02926000	Transport drive frame upper			
16	6LS03544000	Transfer drive frame lower			
17	6LS06194000	Screw			
19	6LS05166000	Roller shaft			
20	6LS04894000	Transport drive gear			
21	6LS05170000	Transport drive joint shaft			
22	6LS05167000	Transport interface shaft			
23	6LS04912000	Gear			
24	6LS05168000	Side LCC clutch shaft			
25	6LS04928000	Gear			
26	6LS03744000	Spring pin			
27	6LS05169000	Side LCC roller shaft			
28	6LS05342000	Transport torque limiter			
29	6LS04190000	TL stopper			
30	6LS10190000	Washer			
31	41330609600	E ring			
32	6LS04836000	Bearing			
33	6LS04683000	Pressure spring			
34	6LS04745000	Belt			

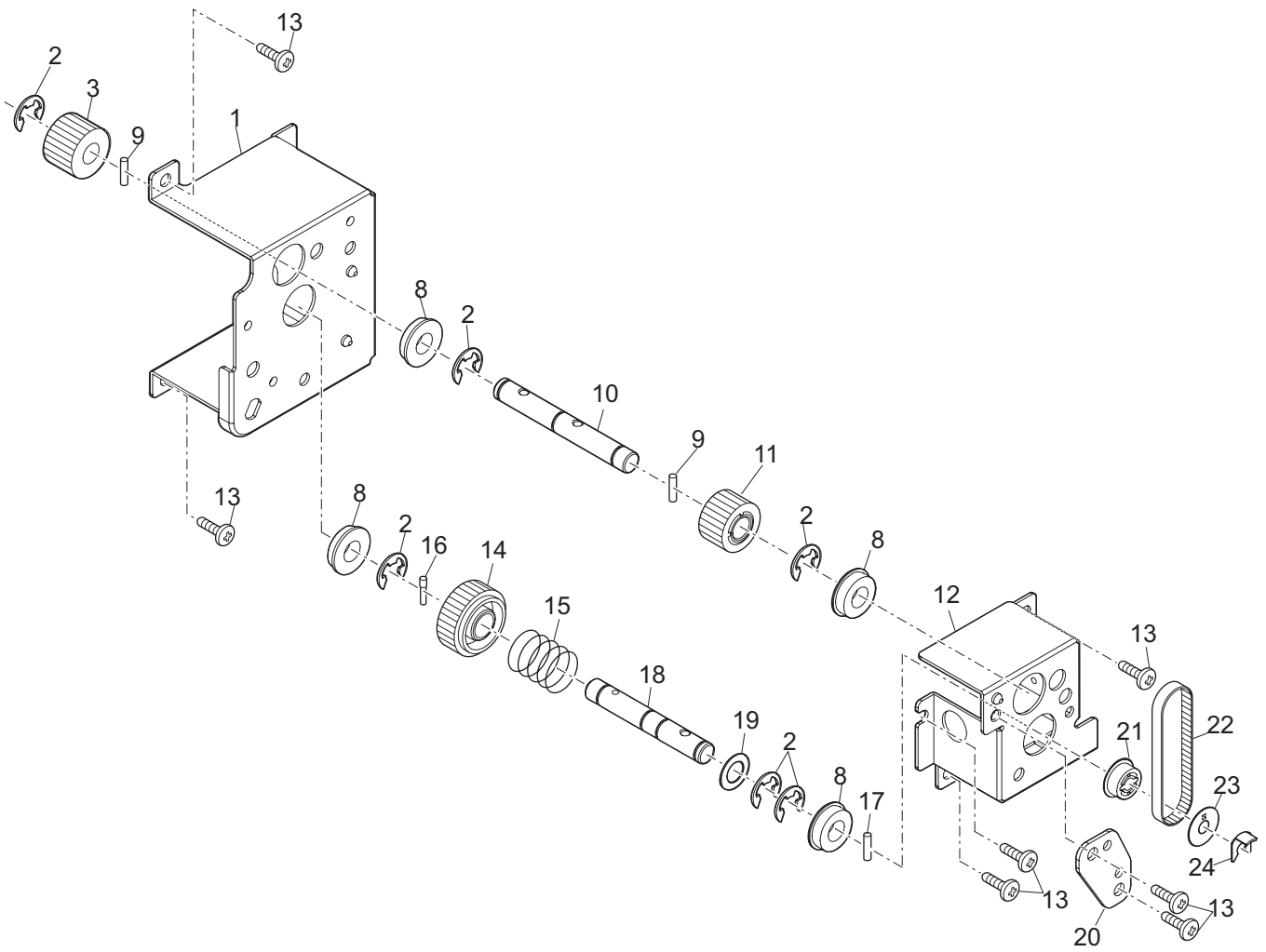


ITEM No.	PART No.	PART NAME	Q'TY / PAGE	Q'TY / PACK	REMARKS
1	6LS06644000	Drum shaft			
2	6LS05766000	Support shaft fixing ring			
3	6LS05970000	Drum spacer R			
4	6LS06246000	E ring			
5	6LS04270000	Screw			
6	6LS04861000	Transfer coupling			
7	6LS04862000	DV coupling			
8	6LS04553000	DV coupling spring			
9	6LS04361000	Screw			
10	6LS05179000	DV drive shaft			
11	6LS05968000	Clutch spacer			
12	6LA58928000	E ring			
13	6LS04830000	Bearing			
14	6LS05798000	Pulley sheet			
15	6LS04746000	Belt			
16	6LS03729000	Pin			
17	6LS04995000	Pulley			
18	6LS05174000	Transfer interface shaft			
19	6LS03741000	Pin			
20	6LS04933000	Transfer drive gear			
21	6LS04392000	Washer			
22	6LS04839000	Bearing			
23	6LS03696000	Transfer coupling holder			
24	6LA58794800	Screw			
25	6LS06848000	Transfer drive shaft			
26	6LS04934000	Transfer drive gear			
27	6LS05181000	Waste toner joint shaft			
28	6LS04936000	Waste toner joint gear			
29	6LS03838000	Waste toner drive joint plate			
30	6LS05010000	Pulley			
31	6LS05002000	Pulley			
32	6LS05173000	Transfer joint shaft			
33	6LS03747000	T type pin			
34	6LS04932000	Transfer drive gear A			
35	6LS03743000	Pin			
36	6LS04907000	Drum gear			
37	6LS05172000	Drum joint shaft			
38	6LS04930000	Drum joint gear			
39	6LS04935000	DV drive gear			
40	6LS05178000	DV joint shaft			
41	6LS04912000	Gear			
42	6LS03545000	Drum drive frame upper			
43	6LS06028000	Drum earth plate			
45	6LS06631000	Screw			
47	6LS06645000	Main fly wheel			
48	6LS06071000	Drive motor			
49	6LS06194000	Screw			
50	6LS06075000	Drive motor			
51	6LS04787000	Bearing			
901	6LS06643000	Drum drive unit			

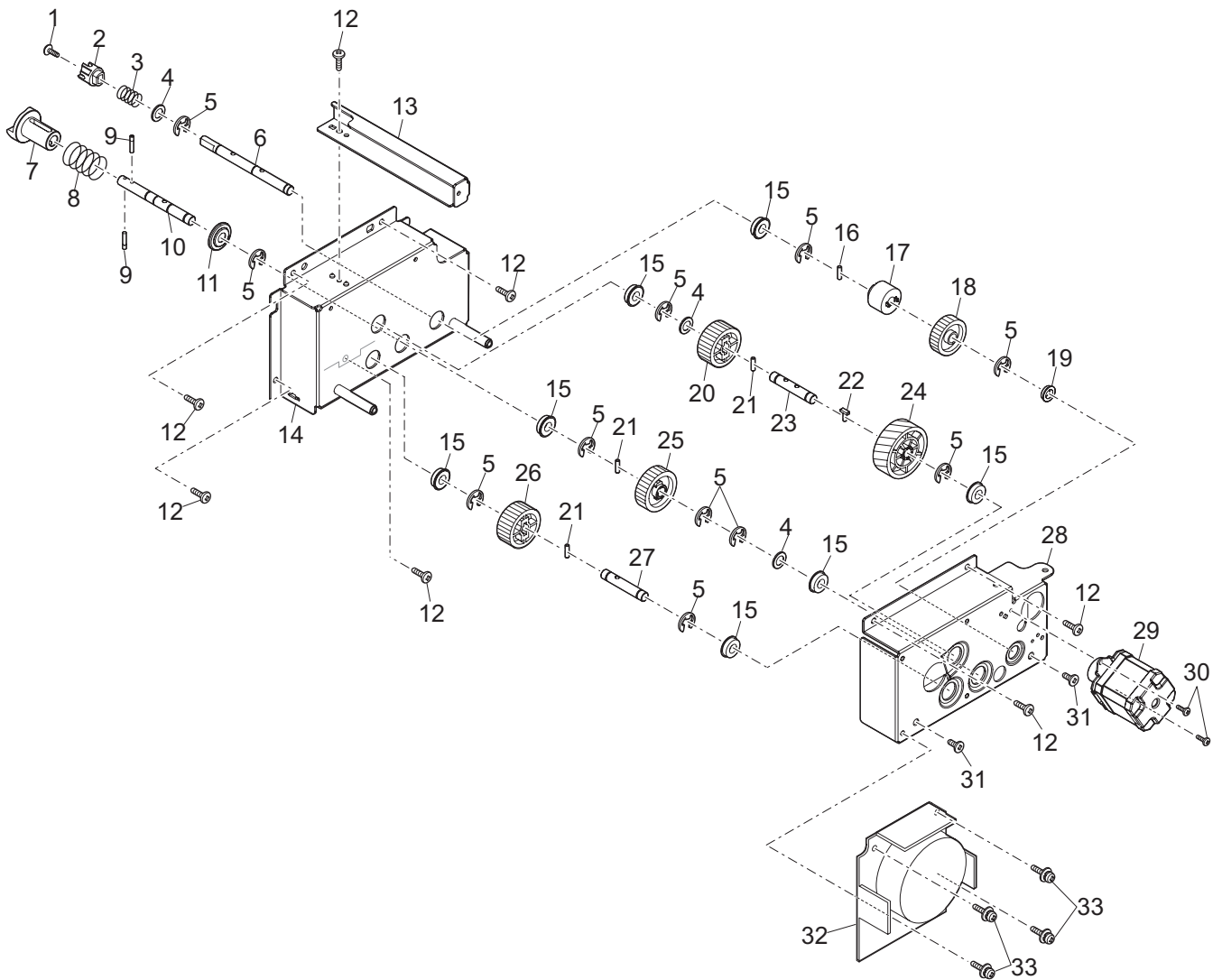




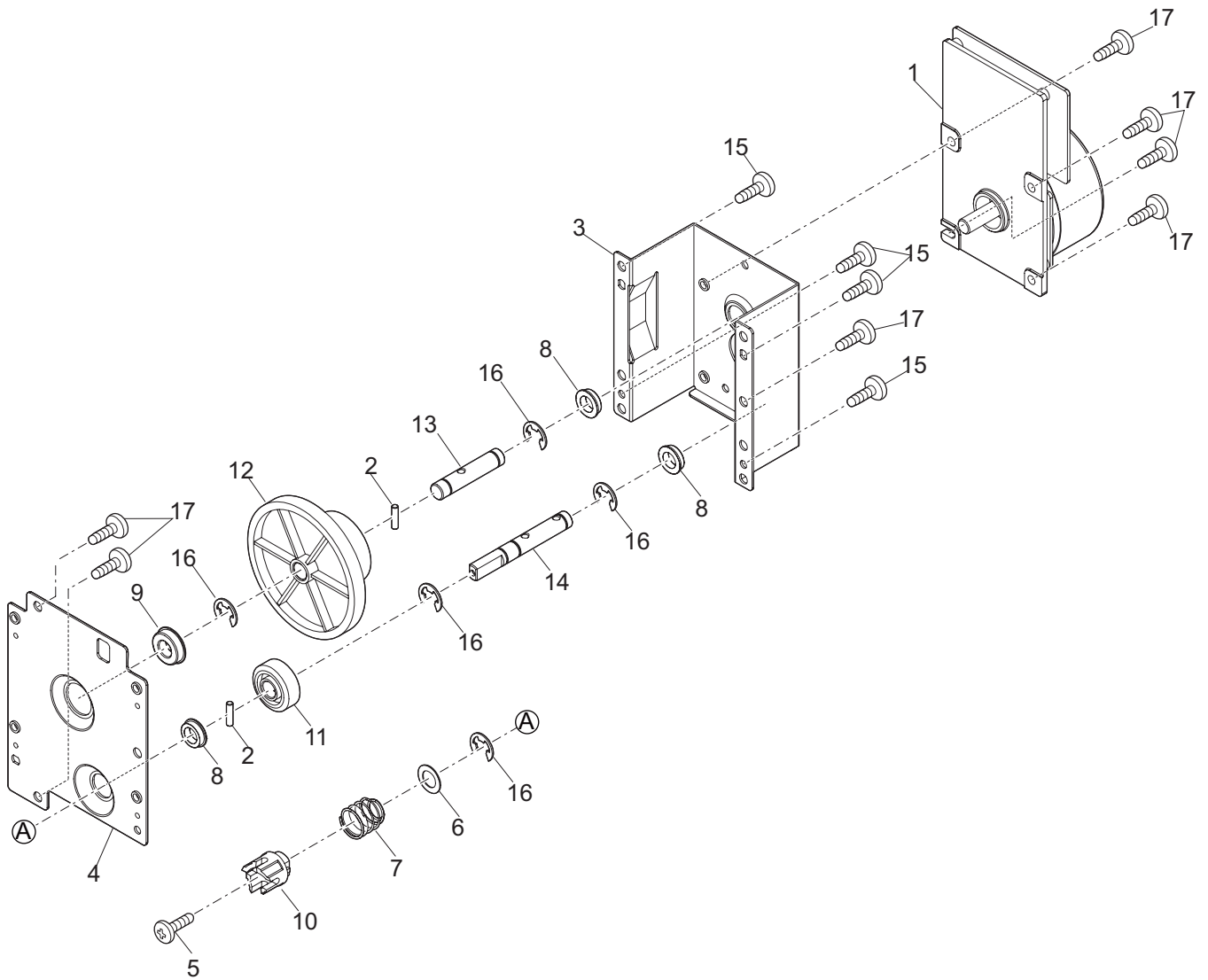
ITEM No.	PART No.	PART NAME	Q'TY / PAGE	Q'TY / PACK	REMARKS
1	6LS02930000	Drum drive frame lower			
3	6LA58793700	Screw			
4	6LS04354000	Screw			
5	6LS04854000	Brush coupling			
6	6LS03012000	Rocking drive plate			
7	6LA58794800	Screw			
8	6LS04789000	Bearing			
9	6LS04381000	Poly slider			
10	6LS05348000	Brake collar			
11	6LS04544000	Rocking brake spring			
12	6LS04392000	Washer			
13	6LS05177000	Rocking drive shaft			
14	6LA58928000	E ring			
15	6LS04684000	Rocking spring			
16	6LS04407000	Rocking arm			
17	41330609600	E ring			
18	6LS10191000	Poly slider			
19	41330533200	Bearing			
20	6LS04893000	Gear			
21	6LS04445000	Rocking block cam			
27	6LS06513000	Bearing			
28	6LS04881000	Toner transport gear			
29	6LS03729000	Pin			
30	6LS05176000	Brush drive shaft			
31	6LS03741000	Pin			
32	6LS04909000	Brush coupling gear			
33	6LS04787000	Bearing			
34	6LS04531000	Lock spring			
35	6LS04976000	Waste toner lock detect gear			
36	6LS05180000	Lock detect shaft			
37	6LS04361000	Screw			
38	6LS06189000	Screw			
39	6LS04552000	High voltage electrode spring			
40	6LS04847000	Ball bearing			
42	6LS03656000	Drum shaft holder			
44	6LS05969000	MC spacer			
45	6LS03753000	M3 plate			
48	6LS03478000	Edge bush			
49	6LS02929000	Drum drive frame middle			
50	6LS06194000	Screw			



ITEM No.	PART No.	PART NAME	Q'TY / PAGE	Q'TY / PACK	REMARKS
1	6LS03552000	Waste toner drive frame lower			
2	6LA58928000	E ring			
3	6LS04883000	Waste toner follower gear			
8	6LS04830000	Bearing			
9	6LS03741000	Pin			
10	6LS05199000	Waste toner joint shaft			
11	6LS04909000	Brush coupling gear			
12	6LS03551000	Waste toner drive frame upper			
13	6LA58794800	Screw			
14	6LS04908000	Brush joint gear			
15	6LS04531000	Lock spring			
16	6LS04276000	Drive joint stopper screw N			
17	6LS03735000	Spring pin			
18	6LS05198000	Waste toner motor shaft			
19	6LS04392000	Washer			
20	6LS03892000	Waste toner drive pitch plate			
21	6LS05010000	Pulley			
22	6LS04763000	Belt			
23	6LS05798000	Pulley sheet			
24	6LS04188000	Wire fixing stopper			
901	6LS02936000	Waste toner transport drive unit			

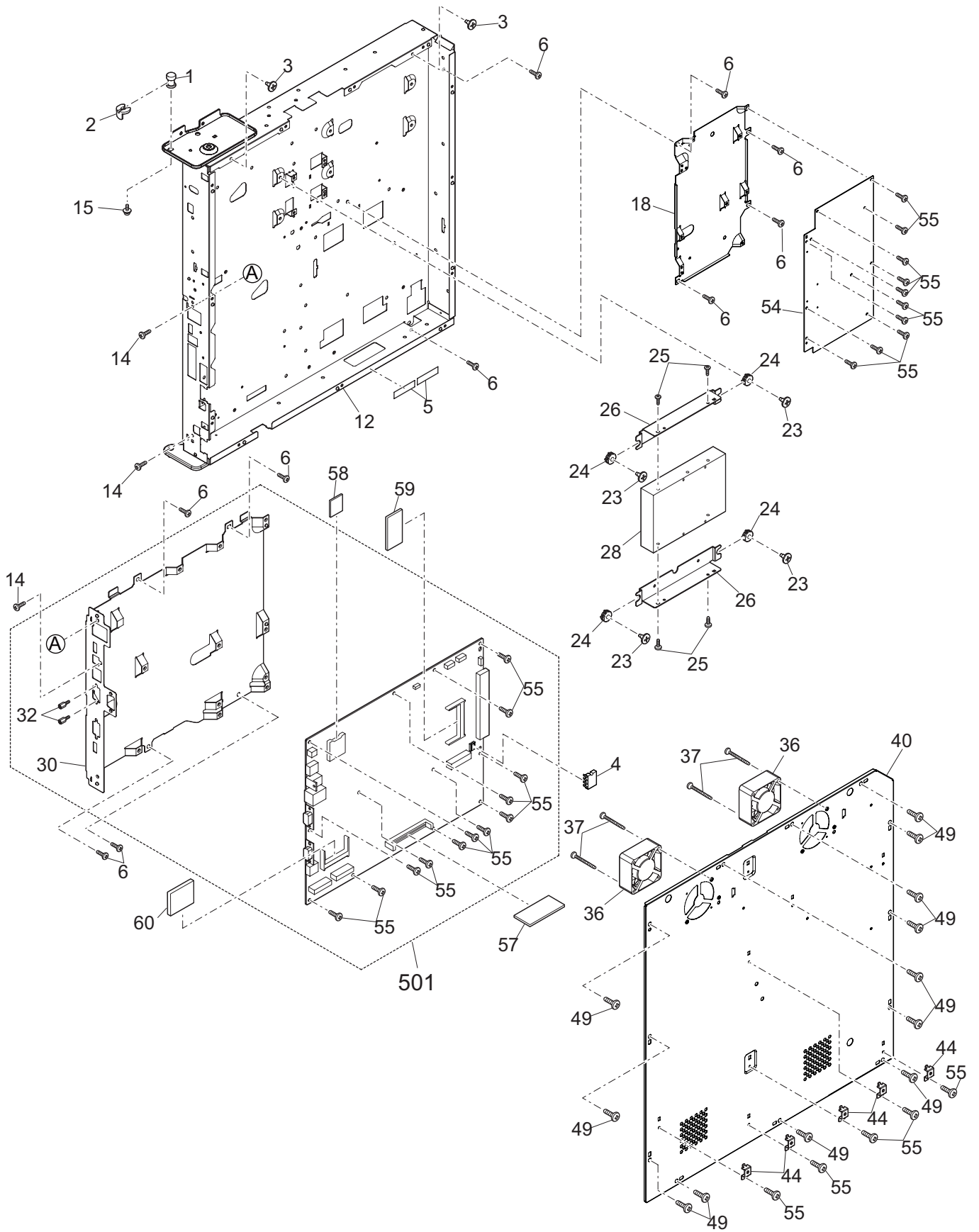


ITEM No.	PART No.	PART NAME	Q'TY / PAGE	Q'TY / PACK	REMARKS
1	6LS04297000	Screw			
2	6LS04852000	Coupling HC			
3	6LS04555000	Transport coupling spring			
4	6LS04392000	Washer			
5	6LA58928000	E ring			
6	6LS05185000	Fusing rear roller shaft			
7	6LS04863000	Fusing drive coupling			
8	6LS04554000	Coupling spring			
9	6LS04361000	Screw			
10	6LS05184000	Fusing drive shaft			
11	6LS05968000	Clutch spacer			
12	6LA58794800	Screw			
13	6LS04202000	Control BOX support plate			
14	6LS02932000	Fusing drive frame lower			
15	6LS04830000	Bearing			
16	6LS03735000	Spring pin			
17	6LS05343000	Fusing rear torque limiter			
18	6LS04897000	Fusing drive gear			
19	6LS04828000	DR drive bearing			
20	6LS04889000	Fusing drive gear			
21	6LS03741000	Pin			
22	6LS03747000	T type pin			
23	6LS05182000	Fusing motor shaft			
24	6LS04910000	DV drive gear			
25	6LS04938000	Transport joint gear			
26	6LS04893000	Gear			
27	6LS05183000	Fusing drive joint shaft			
28	6LS03546000	Fusing drive frame upper			
29	6LS06087000	Fusing rear motor			
30	6LA58794400	Screw			
31	6LS04286000	Screw			
32	6LS06071000	Drive motor			
33	6LS06194000	Screw			
901	6LS02931000	Fusing drive unit			

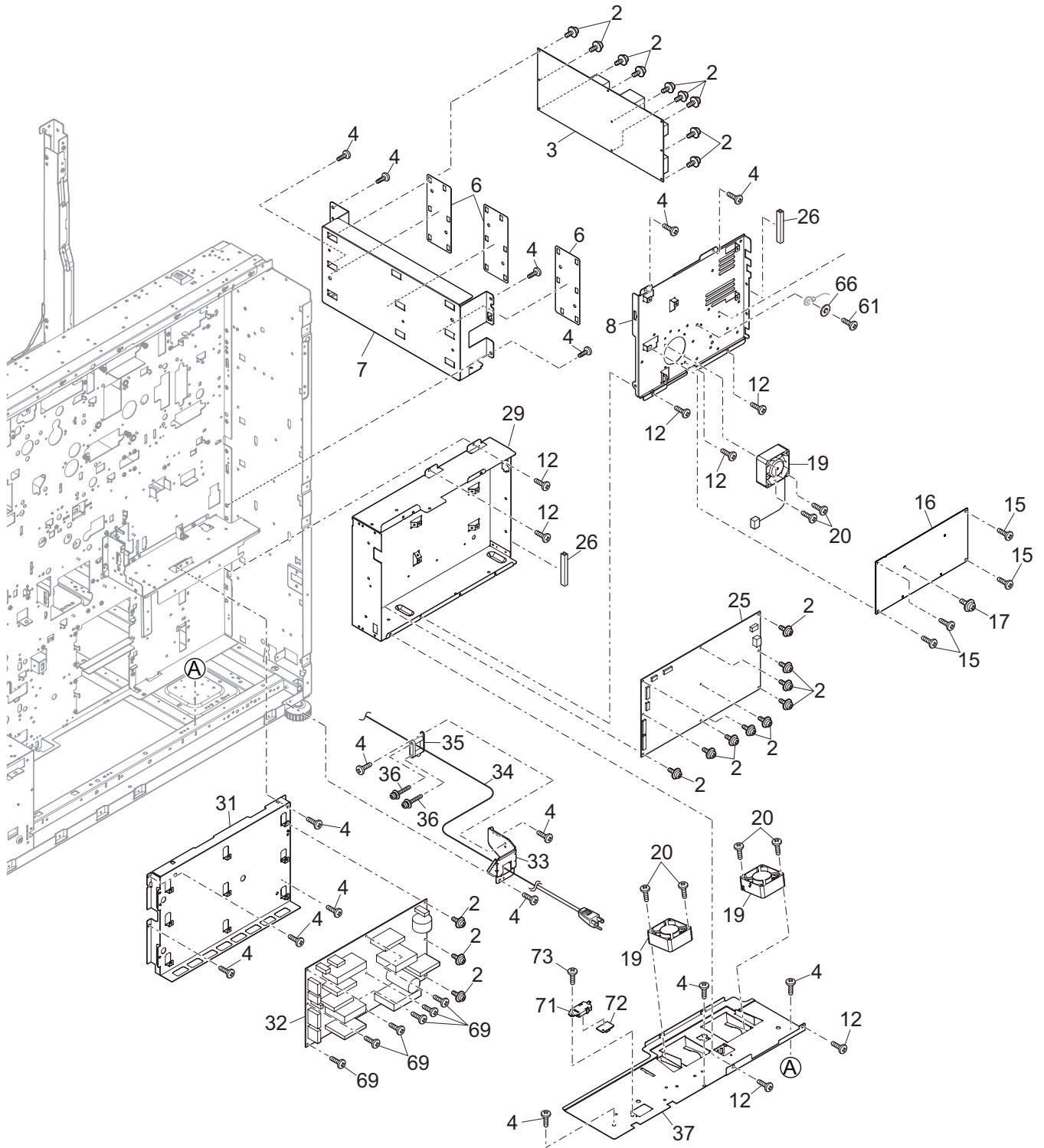


ITEM No.	PART No.	PART NAME	Q'TY / PAGE	Q'TY / PACK	REMARKS
1	6LS06076000	Decurler roller motor			
2	6LS03741000	Pin			
3	6LS04002000	Decurler drive plate upper			
4	6LS04003000	Decurler drive plate lower			
5	6LS04297000	Screw			
6	6LS04392000	Washer			
7	6LS04532000	Coupling spring			
8	6LS04828000	DR drive bearing			
9	6LS06487000	Bearing			
10	6LS04852000	Coupling HC			
11	6LS04925000	Gear			
12	6LS04977000	Decurler drive gear			
13	6LS05268000	Decurler idle shaft			
14	6LS05269000	Decurler drive shaft			
15	6LS06226000	Screw			
16	6LA58928000	E ring			
17	6LA58794800	Screw			
901	6LS03073000	Decurler drive unit			

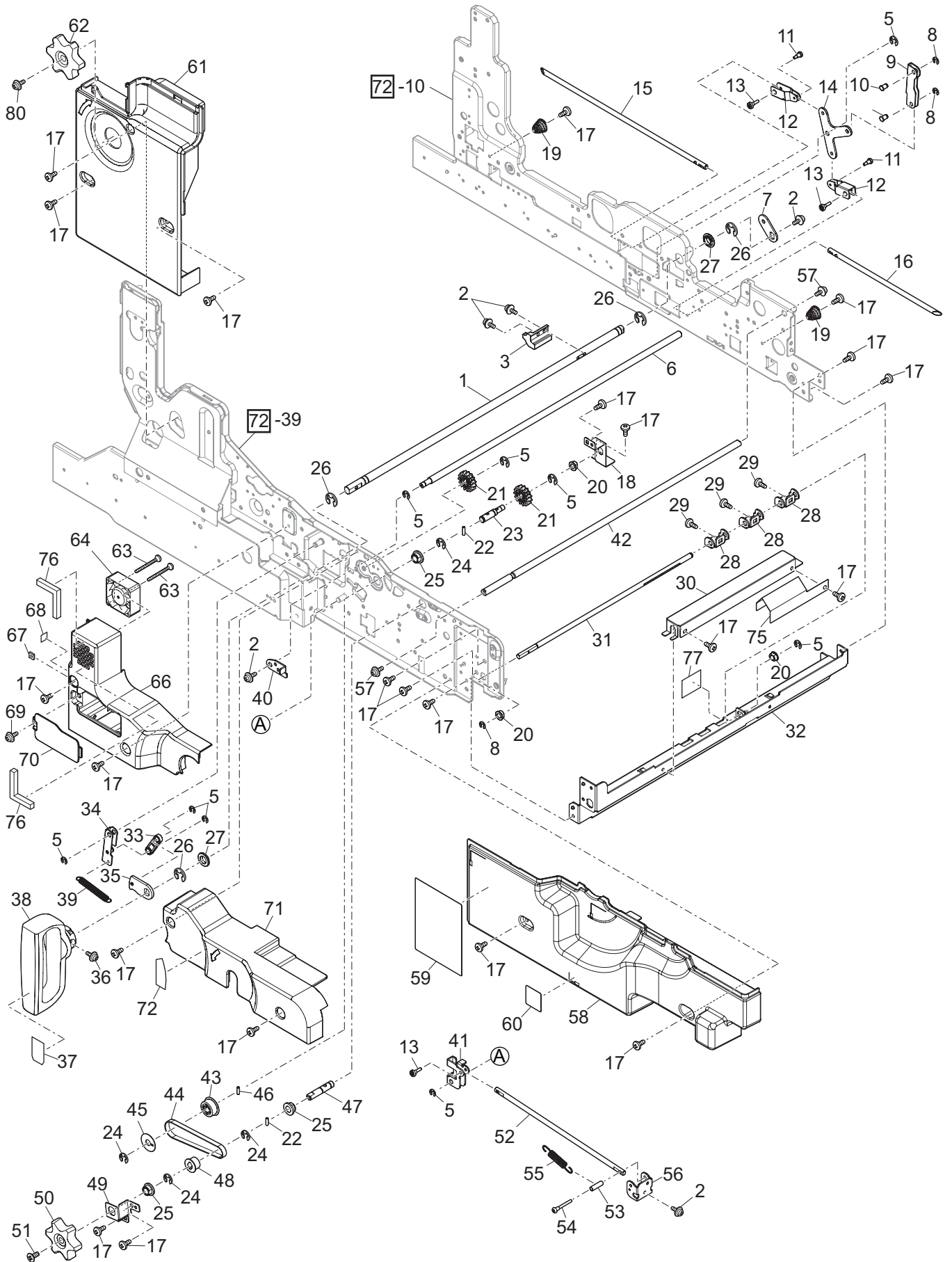




ITEM No.	PART No.	PART NAME	Q'TY / PAGE	Q'TY / PACK	REMARKS
1	6LS05245000	Controller support shaft upper			
2	6LS04188000	Wire fixing stopper			
3	6LS04346000	L pulley step screw N			
4	6LS06671000	EEPROM			
5	6LS06849000	Frame plate sheet			
6	6LA58794800	Screw			
12	6LS06402000	Controller BOX lower			
14	6LA58792100	Screw			
15	6LS06194000	Screw			
18	6LS06850000	MOTHER PWB fixing plate			
23	6LS04328000	HDD fixing step screw			
24	6LS05486000	HDD damper			
25	6LS04316000	Inch screw			
26	6LS03996000	HDD fixing plate			
28	6LS06356000	HDD			
30	6LS04000000	MFPC PWB fixing plate			
32	6LS04356000	Hexagon screw			
36	6LS04868000	Controller radiate fan			
37	6LS06197000	Screw			
40	6LS05327000	Controller BOX upper			
44	6LS03961000	Rear cabinet fixing plate			
49	6LS06177000	Screw			
54	6LS06851000	MOTHER PWB			
55	6LA58794400	Screw			
57	6LS06067000	DDR3 DIMM memory			
58	6LS06852000	MFPC program ROM 1			
59	6LS06853000	MFPC program ROM 2			
60	6LS06854000	MFPC Main ROM			
501 A	6LS06856000	MFPC PWB unit			e-STUDIO1058 Code for service only
501 B	6LS06855000	MFPC PWB unit			e-STUDIO1208 Code for service only

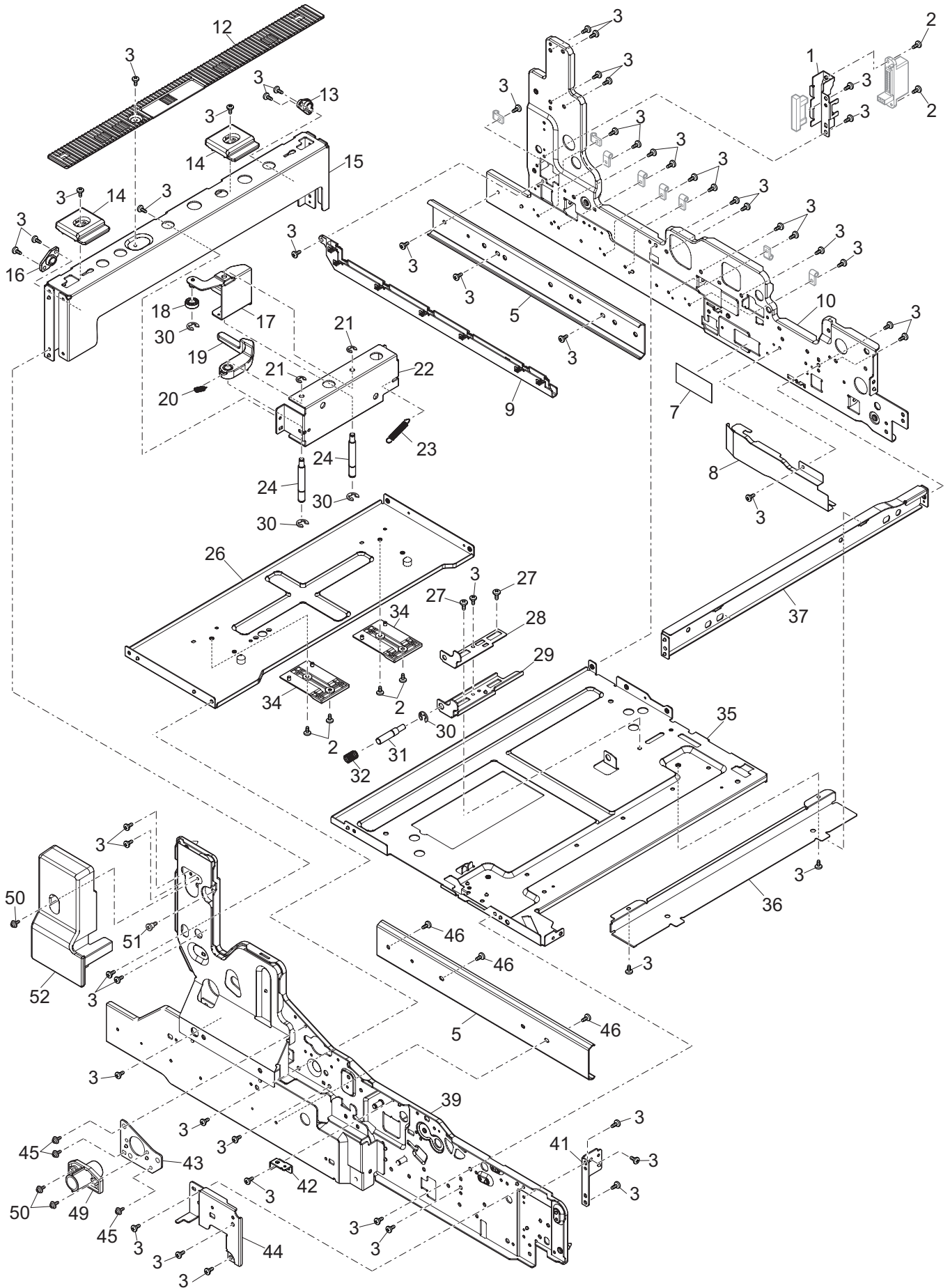






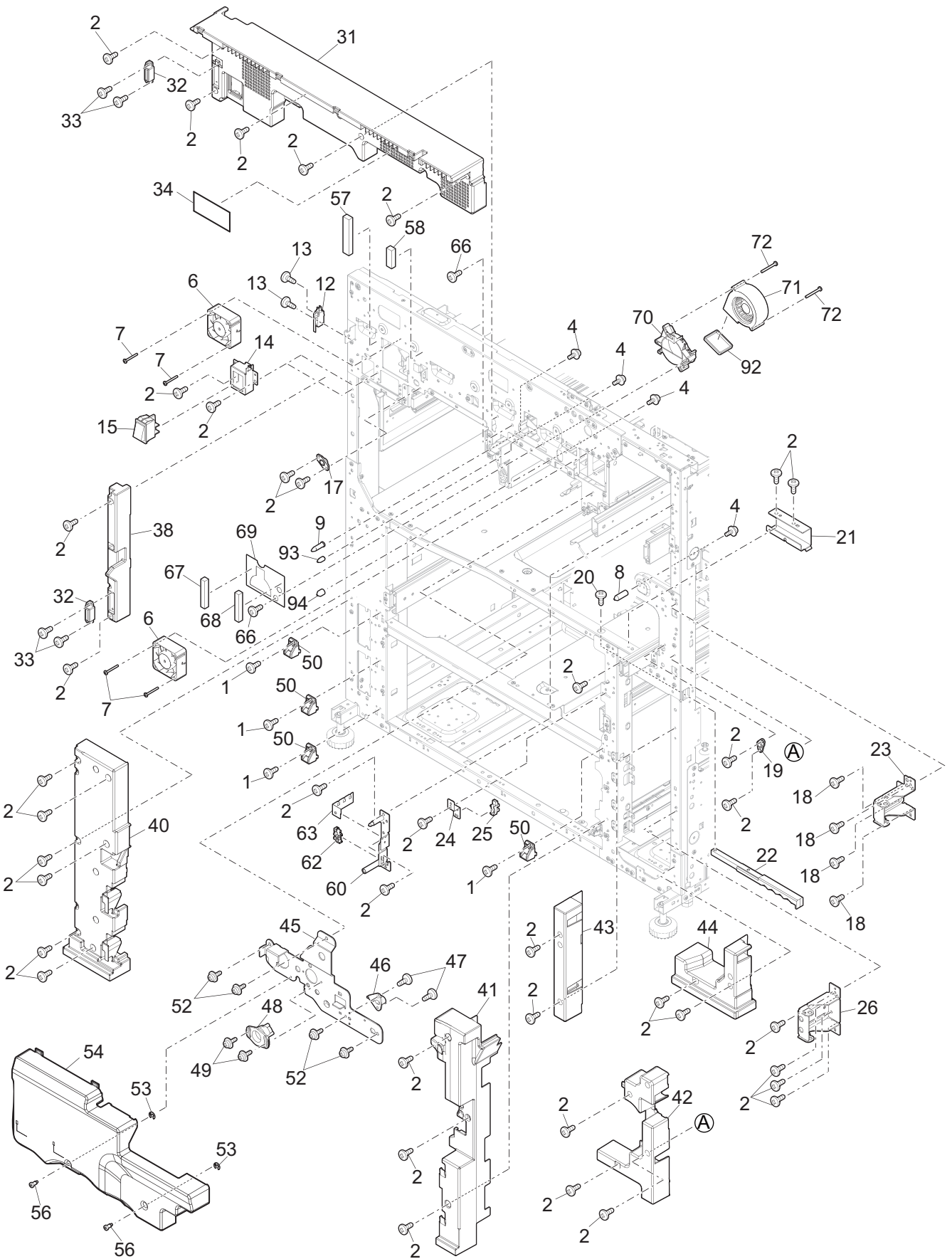
ITEM No.	PART No.	PART NAME	Q'TY / PAGE	Q'TY / PACK	REMARKS
1	6LS05153000	Unit lock shaft			
2	6LA58792800	Screw			
3	6LS04180000	Lock stopper			
5	41330609600	E ring			
6	6LS05151000	PS fixing shaft			
7	6LS03911000	Positioning link plate			
8	41330609500	E ring			
9	6LS04399000	Positioning link arm A			
10	6LS05247000	Positioning link shaft			
11	6LS04298000	Step screw			
12	6LS04400000	Positioning link arm B			
13	6LS04318000	Step screw			
14	6LS04401000	Positioning link arm C			
15	6LS05157000	Unit positioning lock shaft L			
16	6LS05156000	Unit positioning lock shaft S			
17	6LA58794800	Screw			
18	6LS03912000	PS jam release drive plate			
19	6LS04576000	Center frame return spring			
20	41330533200	Bearing			
21	6LS04918000	Separate coupling gear			
22	6LS03729000	Pin			
23	6LS05159000	PS jam release idle shaft			
24	6LA58928000	E ring			
25	6LS04801000	Bearing			
26	6LS06244000	E ring			
27	6LS04784000	Bearing			
28	6LS04181000	Unit stopper R			
29	6LA58894000	Screw			
30	6LS05427000	Stopper R cover			
31	6LS05158000	Stopper R shaft			
32	6LS04219000	Frame stay R			
33	6LS04420000	Link arm S			
34	6LS02883000	Link arm L			
35	6LS02884000	Lock lever arm			
36	6LS06201000	Screw			
37	6LS06132000	Lock lever operation label D			
38	6LS04485000	Lock lever			
39	6LS04679000	Lock lever spring			
40	6LS03907000	Fixing shaft rotation plate			
41	6LS03964000	Rotation regulation plate			
42	6LS05152000	PS support shaft			
43	6LS05010000	Pulley			
44	6LS04729000	Belt			
45	6LS05798000	Pulley sheet			
46	6LS03741000	Pin			
47	6LS05160000	PS jam release knob shaft			
48	6LS04992000	Transport pulley			
49	6LS03757000	PS knob joint plate			
50	6LS03464000	JAM release knob			
51	6LS04355000	Screw			
52	6LS05259000	Stopper R link shaft			
53	6LS05366000	Space collar			
54	6LS04269000	Screw			
55	6LS04706000	Stopper R link plate spring			
56	6LS03963000	Stopper R link plate			
57	6LS06193000	Screw			
58	6LS05426000	Frame cover R			
59	6LS06129000	Lock lever operation label A			
60	6LS06130000	Lock lever operation label B			
61	6LS05425000	Frame cover L			
62	6LS06415000	JAM processing knob			
63	6LA58793600	Screw			
64	6LS04869000	Lock fan			

ITEM No.	PART No.	PART NAME	Q'TY / PAGE	Q'TY / PACK	REMARKS
66	6LS05423000	Transfer cover			
67	6LS04379000	Plate nut			
68	6LS05932000	Plate nut cover sheet			
69	6LS04349000	Screw			
70	6LS05460000	Transfer maintenance cover			
71	6LS05459000	PS front cover			
72	6LS06131000	Lock lever operation label C			
75	6LS05868000	Upper transport guide sheet			
76	6LS05752000	Transfer cover fan molt			
77	6LS05907000	Mistake detective prevention sheet			
80	6LS06574000	Screw			

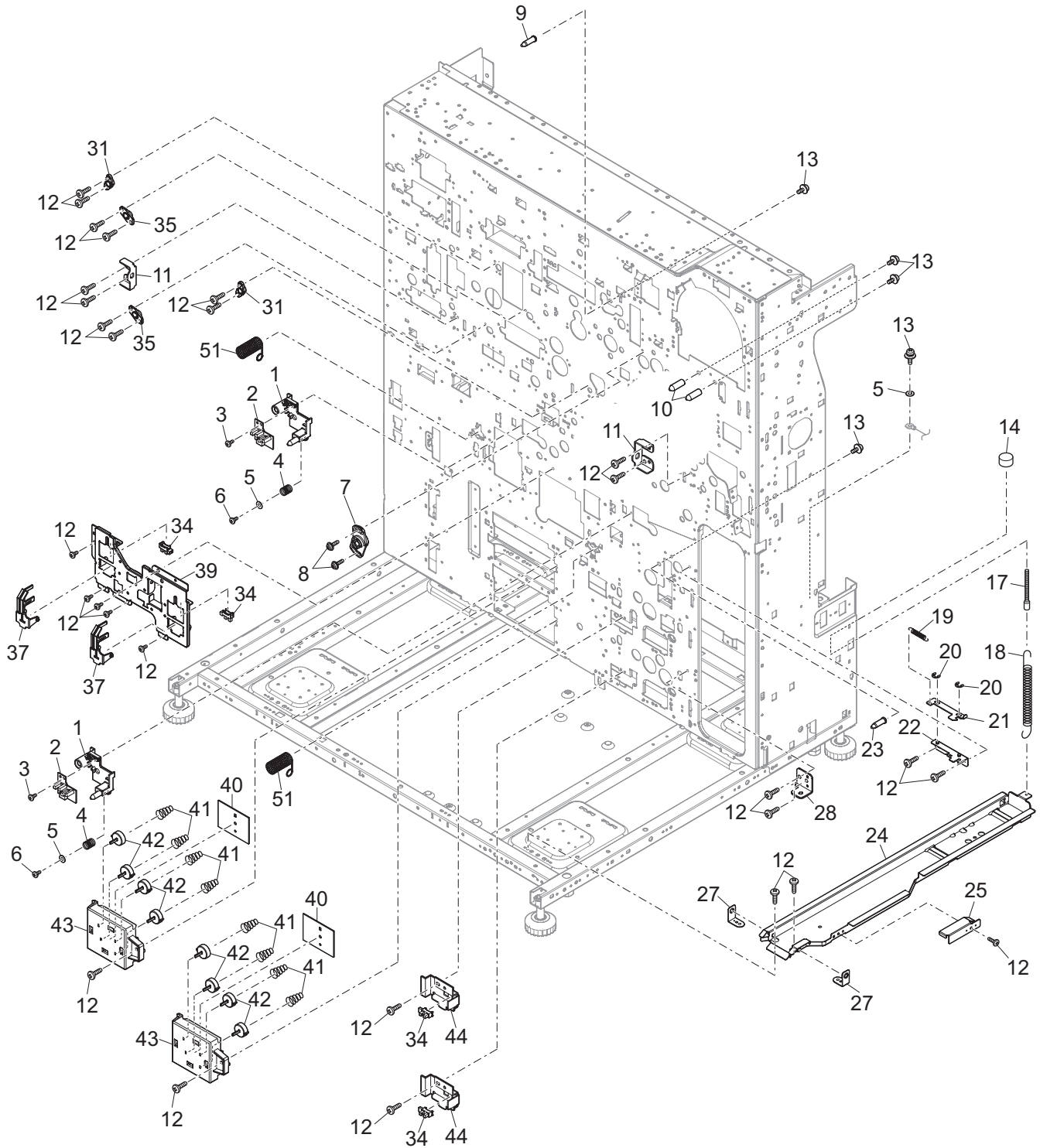




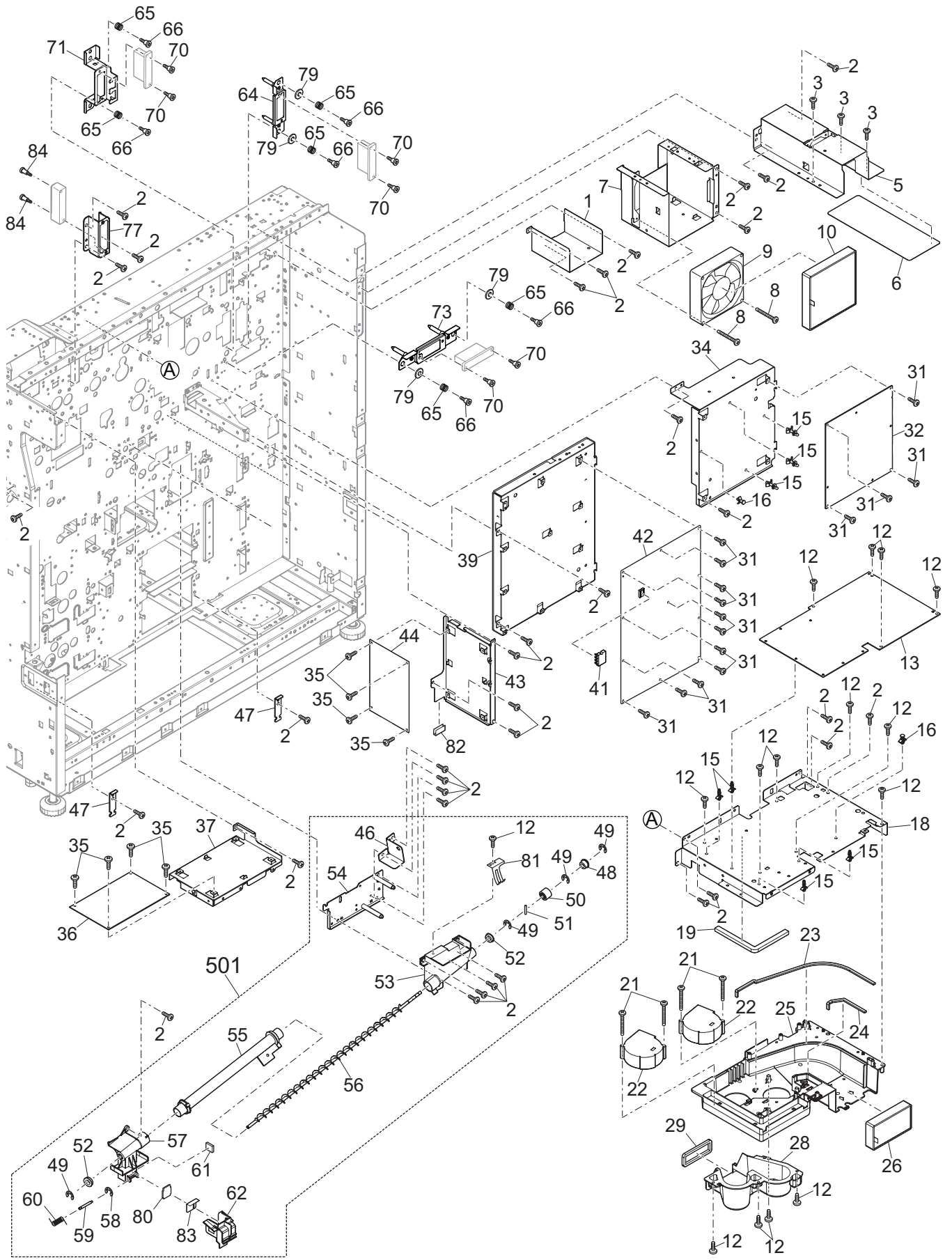
ITEM No.	PART No.	PART NAME	Q'TY / PAGE	Q'TY / PACK	REMARKS
1	6LS04077000	Drawer fixing plate			
2	6LA58794500	Screw			
3	6LA58794800	Screw			
5	6LS06682000	ADU rail			
7	6LS05894000	Middle harness protect sheet R			
8	6LS04078000	Harness guide right plate F			
9	6LS05640000	Harness guide F			
10	6LS02946000	Middle frame R			
12	6LS05448000	Rail stay L cover			
13	6LS03487000	Positioning bush A			
14	6LS05456000	Middle lock cover			
15	6LS06862000	Rail stay L			
16	6LS03488000	Positioning bush B			
17	6LS03042000	ADU lock plate			
18	6LS04826000	Bearing			
19	6LS04179000	ADU stopper			
20	6LS04680000	ADU stopper spring			
21	41330609600	E ring			
22	6LS04221000	Stopper support plate			
23	6LS04681000	ADU lock plate spring			
24	6LS05155000	ADU stopper shaft			
26	6LS02916000	Middle transport base plate			
27	6LS04280000	Step screw			
28	6LS03965000	Lock release plate adjust plate			
29	6LS03909000	Lock release plate			
30	6LA58928000	E ring			
31	6LS05154000	Lock regulation shaft			
32	6LS04550000	Regulation shaft spring			
34	6LS03526000	Open/close slide fixing plate			
35	6LS03508000	Middle transport base plate R			
36	6LS05424000	Harness cover			
37	6LS04220000	Frame stay M			
39	6LS02945000	Middle frame F			
41	6LS03908000	Upper transport unit fixing plate F			
42	6LS03906000	Lock SP fixing plate			
43	6LS06863000	Transfer adjust base plate			
44	6LS03910000	Unit positioning reinforce plate			
45	6LS04260000	Screw			
46	6LS04362000	Screw			
49	6LS03700000	Transfer adjust bearing holder			
50	6LS04349000	Screw			
51	6LS04344000	Step screw			
52	6LS05449000	Frame cover LS			



ITEM No.	PART No.	PART NAME	Q'TY / PAGE	Q'TY / PACK	REMARKS
2	6LA58794800	Screw			
4	6LS06194000	Screw			
6	6LS04874000	Radiate fan			
7	6LS06197000	Screw			
8	6LS05302000	Unit positioning shaft			
9	6LS05201000	Fusing positioning shaft F			
12	6LS06044000	Door Switch			
13	6LS06175000	Screw			
14	6LS03835000	MSW fixing plate			
15	6LS06041000	Main switch			
17	6LS03488000	Positioning bush B			
18	6LS06228000	Screw			
19	6LS03487000	Positioning bush A			
20	6LS04258000	Step screw			
21	6LS03824000	Handle fixing plate F			
22	6LS03452000	Handle			
23	6LS04451000	Front cabinet hinge upper			
24	6LS03802000	Sensor fixing plate			
25	6LS06158000	Photo sensor			
26	6LS04452000	Front cabinet hinge lower			
31	6LS06428000	Front cover			
32	6LA58879000	Magnet catch			
33	6LA58793200	Screw			
34	6LS05909000	Front cover sheet left			
38	6LS05446000	Left front prop cover			
39	6LA58792400	Screw			
40	6LS06673000	Left front prop lower cover			
41	6LS06681000	Middle prop cover			
42	6LS05422000	Right middle reinforce cover			
43	6LS05420000	Right front prop cover			
44	6LS05421000	Waste toner rail cover			
45	6LS03894000	Process DV fixing plate			
46	6LS03685000	DV unit holder F			
47	6LS06227000	Screw			
48	6LS06865000	DSD adjust plate F			
49	6LS06866000	Screw			
50	6LS04512000	Cassette lock plate L			
52	6LS04349000	Screw			
53	41330609600	E ring			
54	6LS05445000	Process front cover			
56	6LS04351000	Screw			
57	6LS05725000	Frame cushion left			
58	6LS05726000	Frame cushion right			
60	6LS03066000	TC positioning plate			
62	6LS06172000	Photo sensor			
63	6LS05853000	TC harness sheet			
66	6LA58793700	Screw			
67	6LS05734000	frame cushion left			
68	6LS05735000	frame cushion right			
69	6LS05892000	Process fan sheet			
70	6LS03706000	Process radiate fan holder			
71	6LS04872000	Lock fan B			
72	6LS06217000	Screw			
92	6LS05744000	Process radiate fan cushion			
93	6LS05266000	Process positioning shaft L			
94	6LS05267000	Process positioning shaft R			



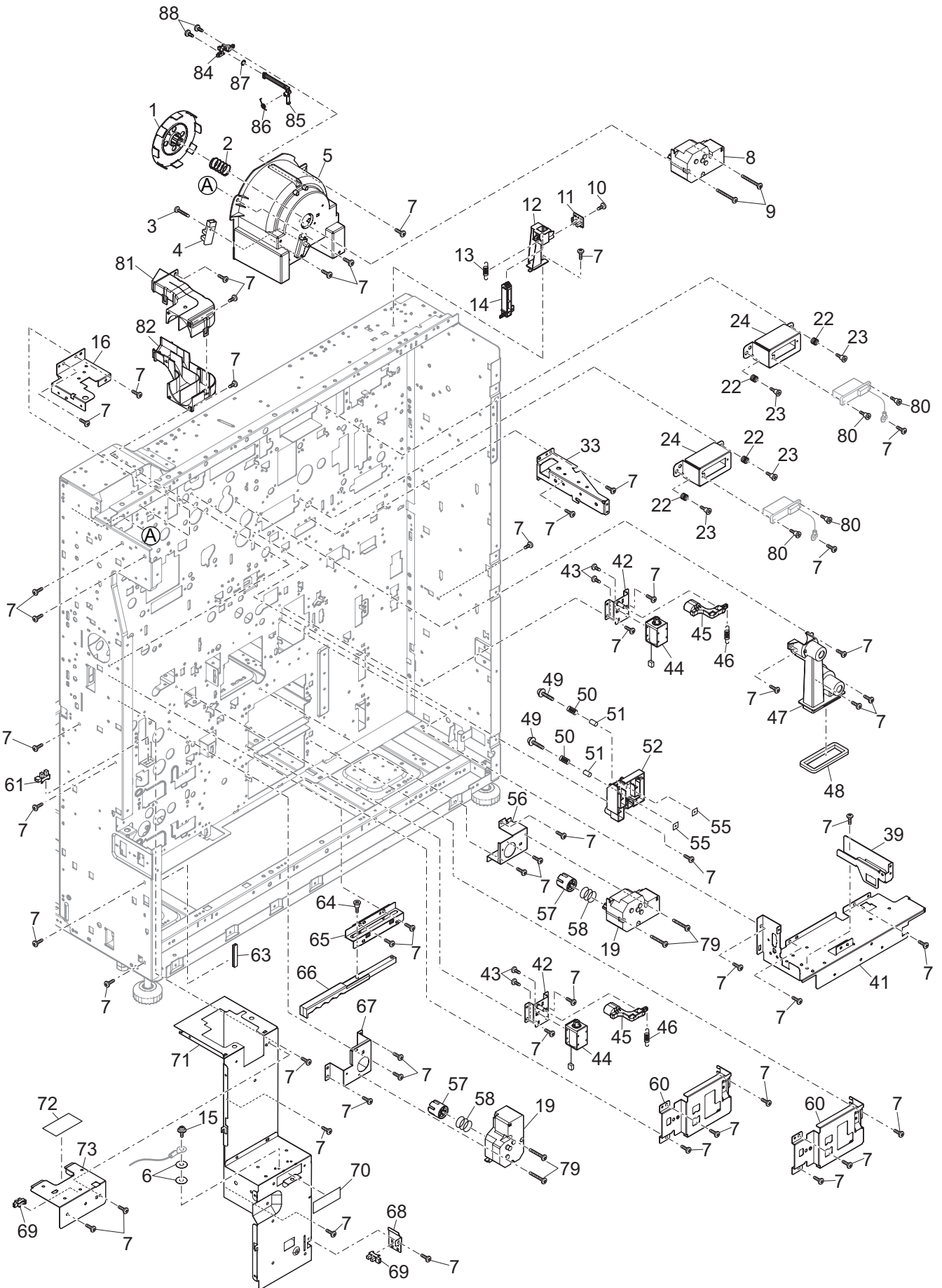
ITEM No.	PART No.	PART NAME	Q'TY / PAGE	Q'TY / PACK	REMARKS
1	6LS03653000	Sensor holder			
2	6LS03101000	Tandem PWB			
3	6LA58793100	Screw			
4	6LS04549000	Tandem sensor spring			
5	6LS06250000	Washer			
6	6LS04275000	Tension screw			
7	6LS06867000	DSD fixing plate R			
8	6LS06866000	Screw			
9	6LS05150000	Process positioning shaft R			
10	6LS05099000	Hopper shaft			
11	6LS03921000	Unit positioning lock plate			
12	6LA58794800	Screw			
13	6LS06194000	Screw			
14	6LS04380000	Full detect adjust dial			
17	6LS04335000	Screw			
18	6LS04685000	Waste toner tray spring			
19	6LS04686000	Vertical transport door fixing spring			
20	41330609600	E ring			
21	6LS03841000	Vertical transport door lock plate			
22	6LS03014000	Vertical transport door fixing plate upper			
23	6LS05098000	Tandem positioning shaft			
24	6LS02915000	Waste toner bottle base			
25	6LS03847000	Waste toner bottle guide plate			
27	6LS03840000	Waste toner tray fulcrum plate			
28	6LS03827000	Vertical transport door fixing plate lower			
31	6LS03487000	Positioning bush A			
34	6LS06158000	Photo sensor			
35	6LS03488000	Positioning bush B			
37	6LS04460000	Actuator			
39	6LS03805000	Desk lock plate			
40	6LS03090000	Size detect PWB			
41	6LS04529000	Vertical detect switch spring			
42	6LS06463000	Vertical detect spring holder			
43	6LS03642000	Vertical detect holder			
44	6LS03842000	Remain detect fixing plate			
51	6LS04593000	Tandem lock spring			



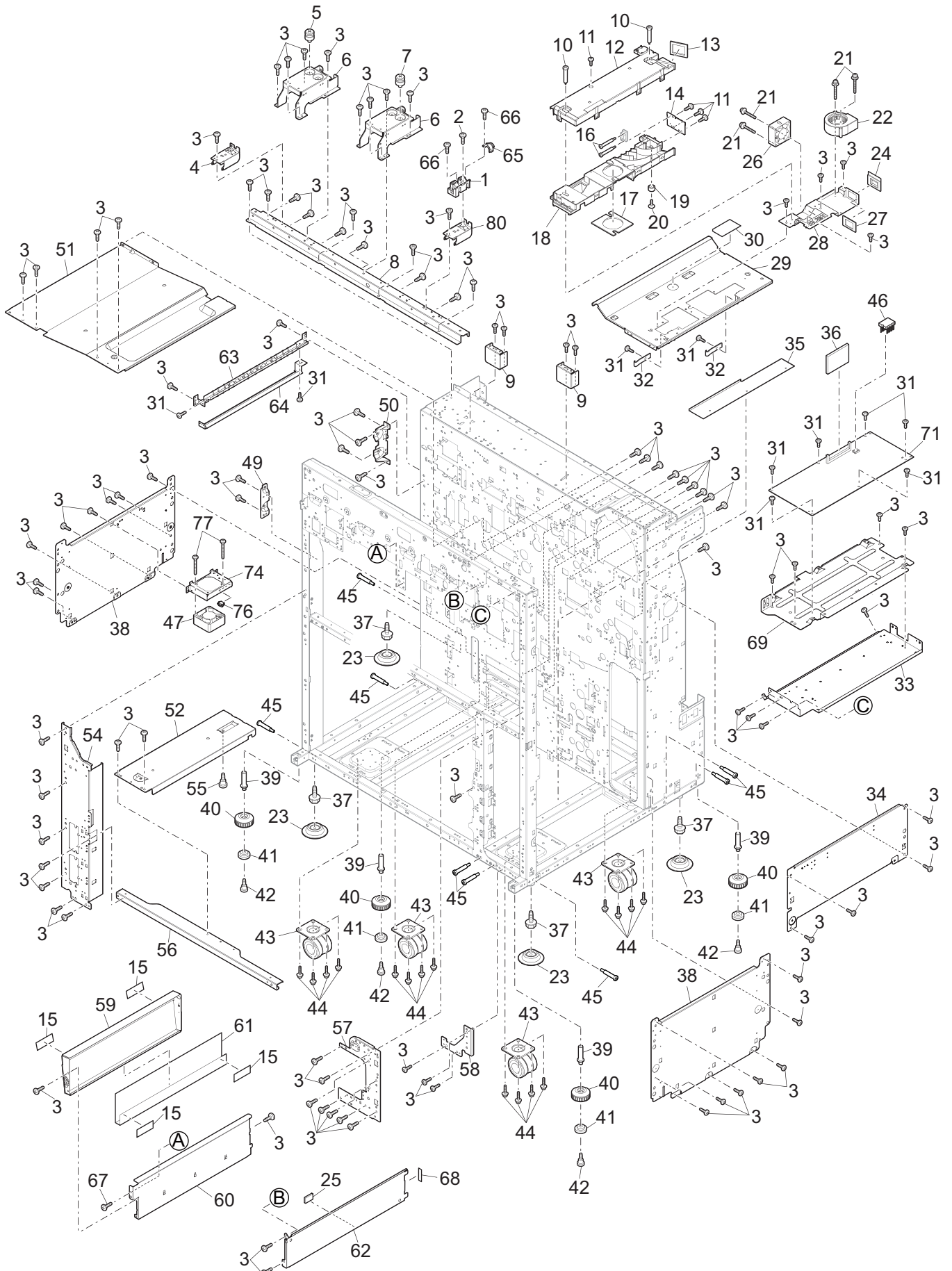
ITEM No.	PART No.	PART NAME	Q'TY / PAGE	Q'TY / PACK	REMARKS
1	6LS05491000	Exhaust duct lower			
2	6LA58794800	Screw			
3	6LS06226000	Screw			
5	6LS03887000	Exhaust duct reinforce plate			
6	6LS06499000	Exhaust duct sheet			
7	6LS05490000	Exhaust duct			
8	6LS06197000	Screw			
9	6LS04871000	Lock fan			
10	6LS05504000	Exhaust filter			
12	6LA58793700	Screw			
13	6LS06054000	High voltage transformer PWB			
15	6LS06869000	PWB support			
16	6LS06870000	PWB support			
18	6LS06871000	Ozone duct reinforce plate			
19	6LS05698000	Ozone duct cushion upper			
21	6LS06217000	Screw			
22	6LS04870000	Lock fan			
23	6LS05696000	Ozone duct cushion outside			
24	6LS05697000	Ozone duct cushion inside			
25	6LS05487000	Ozone duct			
26	6LS05505000	Ozone filter			
28	6LS06517000	Ozone duct lower			
29	6LS05695000	Inlet cushion			
31	6LA58792100	Screw			
32	6LS06872000	HL PWB			
34	6LS03901000	HL fixing plate			
35	6LA58794400	Screw			
36	6LS06653000	Paper feed driver PWB			
37	6LS06471000	Driver PWB fixing plate			
39	6LS03899000	PCU PWB fixing plate			
41	6LS06671000	EEPROM			
42 A	6LS06874000	PCU PWB			e-STUDIO1058
42 B	6LS06873000	PCU PWB			e-STUDIO1208
43	6LS03900000	Exhaust driver fixing plate			
44	6LS06654000	Delivery driver PWB			
46	6LS04203000	Waste toner screw support plate			
47	6LS03830000	Rear frame fixing plate			
48	6LS04804000	Blade fixing plate bearing F			
49	41330609500	E ring			
50	6LS04939000	Waste toner screw gear			
51	6LS03744000	Spring pin			
52	6LS04809000	Bearing MX R			
53	6LS05754000	Waste toner pipe upper			
54	6LS03013000	Waste toner pipe upper fixing plate			
55	6LS05755000	Waste toner pipe			
56	6LS05320000	Waste toner transport screw B			
57	6LS05756000	Waste toner pipe lower			
58	41330609200	E ring			
59	6LS05200000	Waste toner shutter shaft			
60	6LS04619000	Waste toner shutter spring			
61	6LS05948000	Waste toner shutter suede			
62	6LS05962000	Waste toner shutter			
64	6LS03044000	Delivery drawer fixing plate			
65	6LS04571000	Fusing drawer spring			
66	6LS04345000	Step screw			
70	6LS04298000	Step screw			
71	6LS03905000	PS drawer fixing plate			
73	6LS03041000	ADU drawer fixing plate			
77	6LS03889000	Process drawer fixing plate			
79	6LS06252000	Washer			
80	6LS05719000	Waste toner cushion			
81	6LS04658000	Waste toner vibration plate spring			
82	6LS03479000	Edge cover			

ITEM No.	PART No.	PART NAME	Q'TY / PAGE	Q'TY / PACK	REMARKS
83 84 501	6LS05872000 6LS06875000 6LS02989000	Shutter backup sheet Step screw Waste toner transport unit			



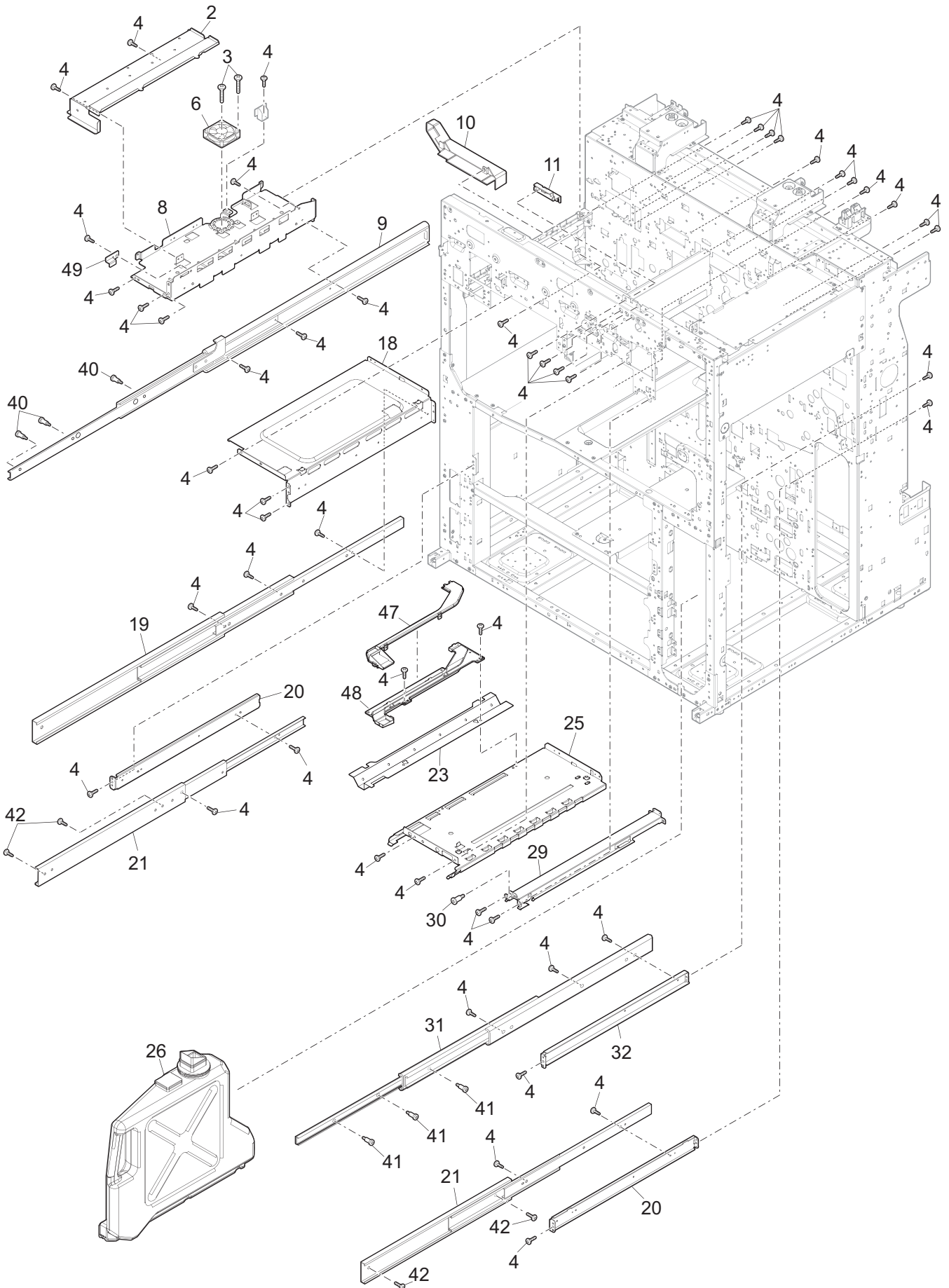


ITEM No.	PART No.	PART NAME	Q'TY / PAGE	Q'TY / PACK	REMARKS
1	6LS04865000	Bottle coupling			
2	6LS04548000	Bottle coupling spring			
3	6LA58794000	Screw			
4	6LS06167000	Detect sensor			
5	6LS05387000	Bottle cover			
6	6LS06876000	Washer			
7	6LA58794800	Screw			
8	6LS06563000	Lift motor A unit			
9	6LS06208000	Screw			
10	6LA58793100	Screw			
11	6LS03087000	OC Open/close detect sensor PWB			
12	6LS03675000	Open/close detect holder			
13	6LS04693000	Open/close detect spring			
14	6LS04480000	Open/close detect actuator			
15	6LS06194000	Screw			
16	6LS06386000	Right rear frame fixing plate			
19	6LS06683000	Lift motor A			
22	6LS04571000	Fusing drawer spring			
23	6LS04345000	Step screw			
24	6LS03888000	Fusing drawer fixing plate			
33	6LS03903000	Lock support plate			
39	6LS04218000	Delivery driver support plate			
41	6LS04217000	DC support plate			
42	6LS03008000	Paper feed solenoid fixing plate			
43	6LA58792100	Screw			
44	6LS06097000	Paper feed arm solenoid			
45	6LS04415000	Paper feed arm			
46	6LS04663000	Paper feed arm return spring			
47	6LS05418000	Transfer process waste toner cover			
48	6LS05699000	Waste toner cover cushion			
49	6LS06189000	Screw			
50	6LS04552000	High voltage electrode spring			
51	6LS05969000	MC spacer			
52	6LS03684000	MC high voltage holder			
55	6LS03753000	M3 plate			
56	6LS03806000	Lift up unit fixing plate			
57	6LS04851000	Lift coupling			
58	6LS04530000	Lift up spring			
60	6LS03825000	Vertical detect fixing plate			
61	6LS06158000	Photo sensor			
63	6LS05661000	Edge protector			
64	6LS04350000	Screw			
65	6LS03010000	Handle fixing plate R			
66	6LS03452000	Handle			
67	6LS03962000	Lift up motor fixing plate			
68	6LS03843000	Full detect sensor fixing plate			
69	6LS06172000	Photo sensor			
70	6LS05844000	Heater switch protect sheet			
71	6LS06878000	Waste toner bottle cover			
72	6LS05787000	Waste toner bottle cover seal			
73	6LS03846000	Waste toner bottle detect sensor fixing plate			
79	6LS06224000	Screw			
80	6LS04298000	Step screw			
81	6LS05397000	DV exhaust duct cover upper			
82	6LS05398000	DV exhaust duct cover lower			
84	6LS03519000	Bottle lever support block			
85	6LS04506000	Bottle lever			
86	6LS04647000	Bottle lever SP			
87	6LS05763000	Bottle lever O ring			
88	6LA58793200	Screw			

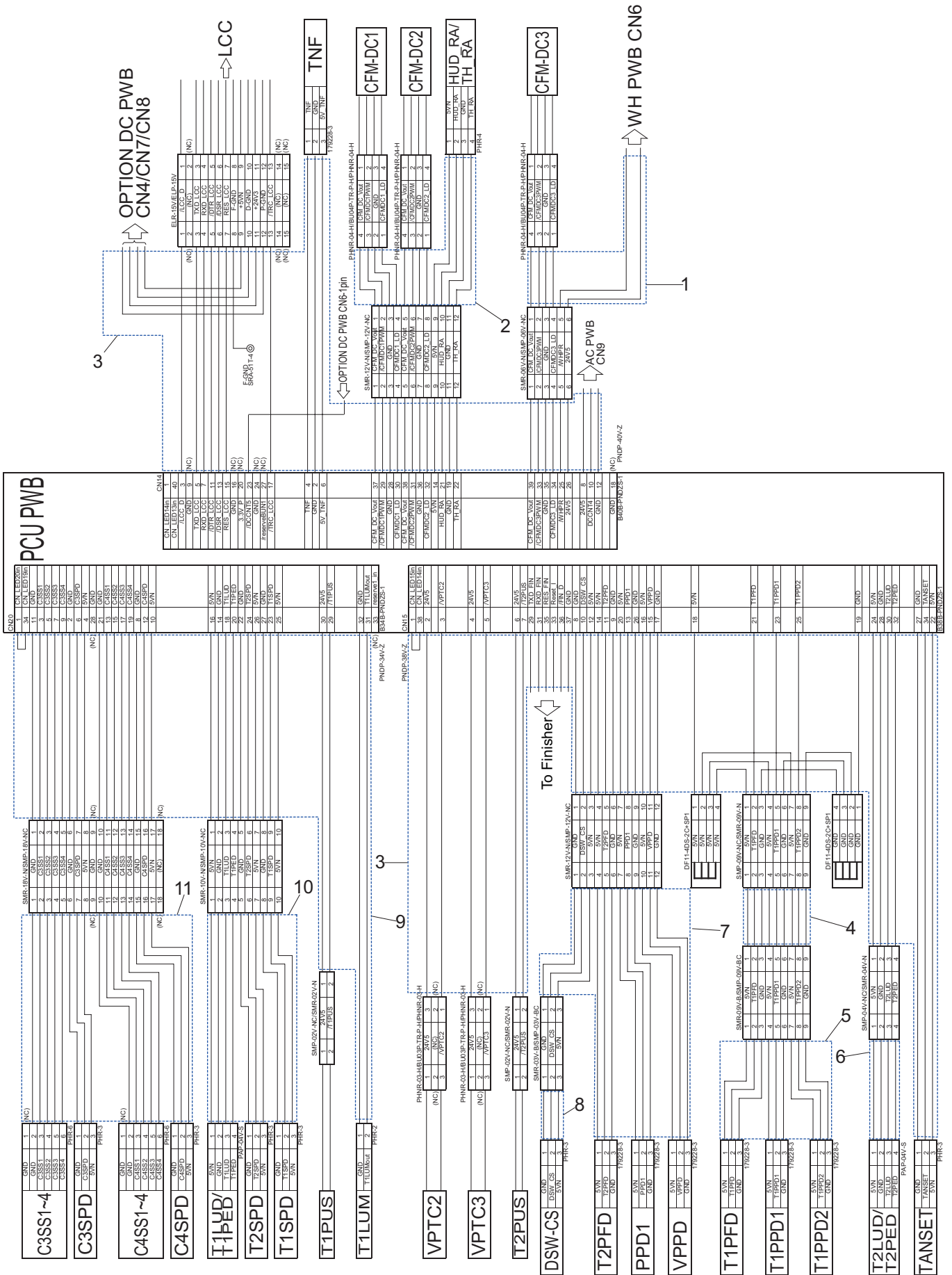


ITEM No.	PART No.	PART NAME	Q'TY / PAGE	Q'TY / PACK	REMARKS
1	6LS05577000	Interface harness guide			
2	6LS06227000	Screw			
3	6LA58794800	Screw			
4	6LS03919000	DSPF harness fixing plate			
5	6LS04283000	Step screw R			
6	6LS03874000	DSPF fixing plate			
7	6LS04347000	SPF step screw R			
8	6LS03836000	Rear upper frame reinforce plate			
9	6LS03471000	Angle R			
10	6LS04342000	Step screw			
11	6LS06210000	Screw			
12	6LS05399000	DV radiate duct cover upper			
13	6LS05690000	Duct exhaust cushion R			
14	6LS03863000	DV drawer fixing plate			
15	6LS05953000	Duct sheet reinforce sheet			
16	6LS04341000	Step screw			
17	6LS05689000	Blower fan cushion			
18	6LS05400000	DV radiate duct cover lower			
19	6LS05359000	Duct positioning collar			
20	6LS04284000	Screw			
21	6LS06199000	Screw			
22	6LS04870000	Lock fan			
23	6LS04014000	Height adjustment plate			
24	6LS05688000	DV exhaust duct cushion B			
25	6LS06453000	Bottle cover cushion			
26	6LS04874000	Radiate fan			
27	6LS05687000	DV exhaust duct cushion A			
28	6LS03668000	DV radiate fan holder			
29	6LS04154000	DV rail			
30	6LS05845000	DV rail sheet			
31	6LA58794400	Screw			
32	6LS04656000	Upper transport fixing plate spring			
33	6LS05389000	Bottle cover upper			
34	6LS03826000	Side reinforce plate upper			
35	6LS05849000	Bottom plate sheet			
36	6LS06879000	Scan flash ROM			
37	6LS04365000	Adjust bolt			
38	6LS03822000	Side reinforce plate lower			
39	6LS05303000	Adjuster shaft			
40	6LS06527000	Adjuster wheel			
41	6LS03445000	Rubber foot			
42	6LS04353000	Step screw H			
43	6LS03446000	Caster			
44	6LS06232000	Screw			
45	6LS06880000	Prop through screw			
46	6LS06881000	EEPROM			
47	6LS04868000	Controller radiate fan			
49	6LS03920000	FIN fixing plate F			
50	6LS03828000	FIN fixing plate			
51	6LS04201000	Middle front and back stay			
52	6LS04195000	Desk middle stay			
54	6LS03823000	Left lower reinforce plate			
55	6LS04311000	Step screw			
56	6LS04200000	Lower stay			
57	6LS03829000	Right middle reinforce plate			
58	6LS03821000	Right lower reinforce plate			
59	6LS05488000	Radiate duct			
60	6LS03885000	Radiate duct reinforce plate			
61	6LS05836000	Duct sheet			
62	6LS05390000	Bottle cover lower			
63	6LS05546000	delivery paper guide upper			
64	6LS05547000	delivery paper guide lower			
65	6LS06657000	Interface harness cover			

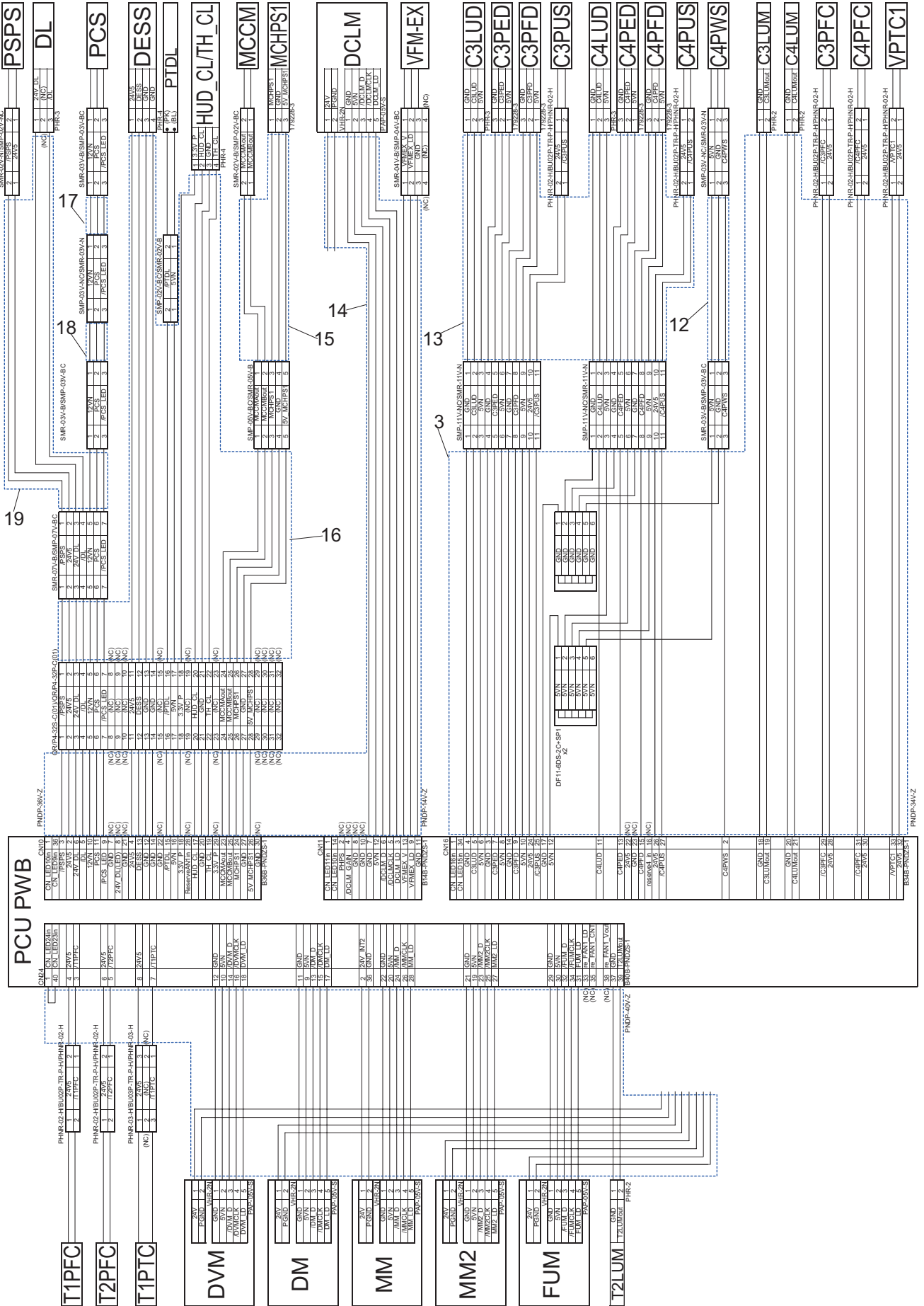


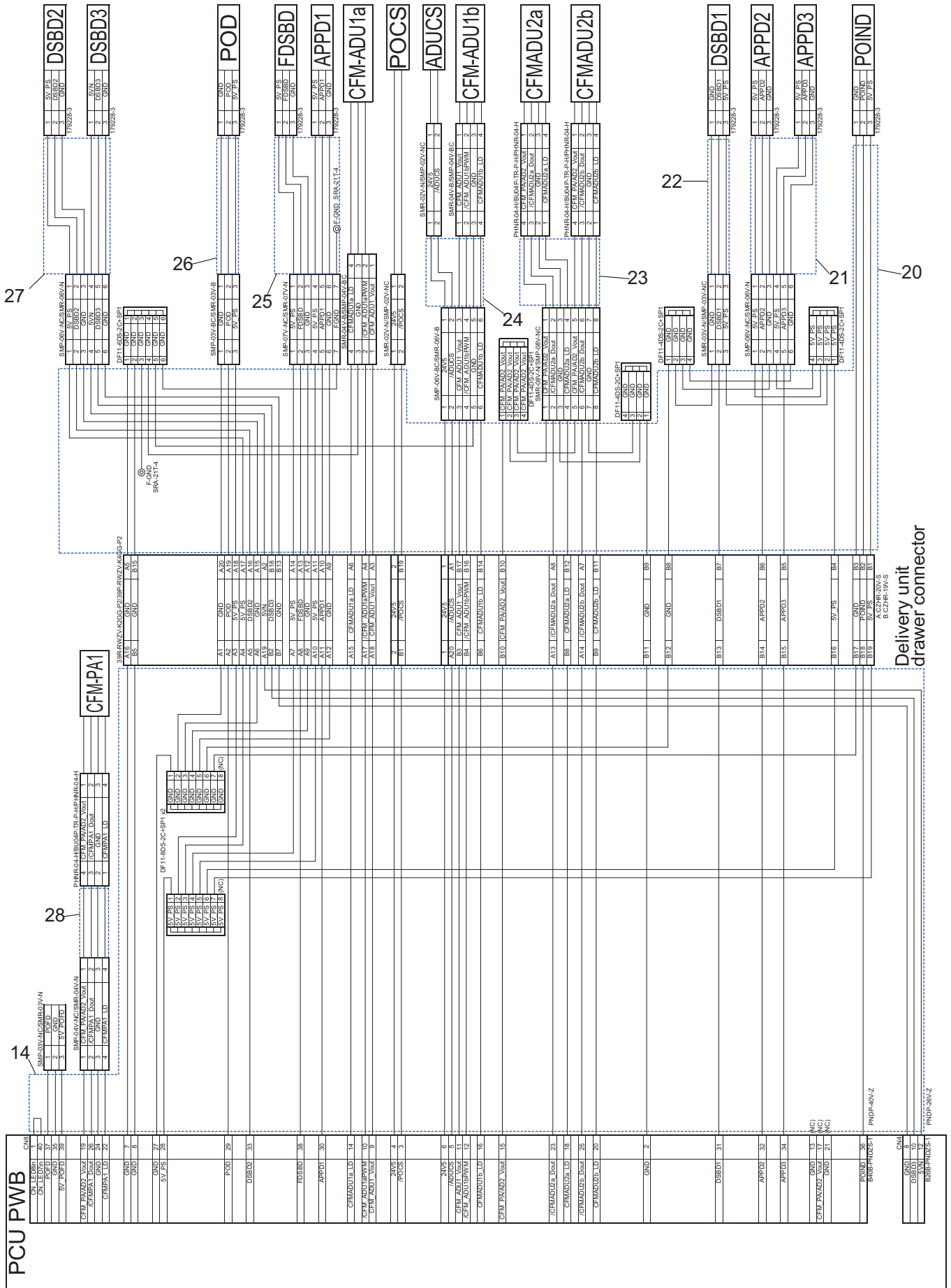


ITEM No.	PART No.	PART NAME	Q'TY / PAGE	Q'TY / PACK	REMARKS
2	6LS05493000	Delivery upper duct			
3	6LS06197000	Screw			
4	6LA58794800	Screw			
6	6LS04874000	Radiate fan			
8	6LS03844000	Fusing guide plate L			
9	6LS04518000	Transport slide rail L			
10	6LS05498000	Fusing duct			
11	6LS03470000	Adjust angle			
18	6LS03845000	Fusing guide plate R			
19	6LS04523000	Transport slide rail M			
20	6LS03804000	Slide rail fixing plate			
21	6LS04521000	Cassette slide rail L			
23	6LS05492000	Radiate duct upper			
25	6LS04155000	Process rail			
26	6B000000764	PS-TB1207			
29	6LS05512000	DV guide			
30	6LS04336000	Step screw			
31	6LS07035000	Transport slide rail R			
32	6LS03834000	Upper transport rail R fixing plate			
40	6LS04278000	Step screw			
41	6LS04281000	Step screw			
42	6LS04289000	ACC fixing step Screw			
47	6LS05499000	Fusing connector radiate duct upper			
48	6LS05500000	Fusing connector radiate duct lower			
49	6LS04184000	Slide rail stopper			

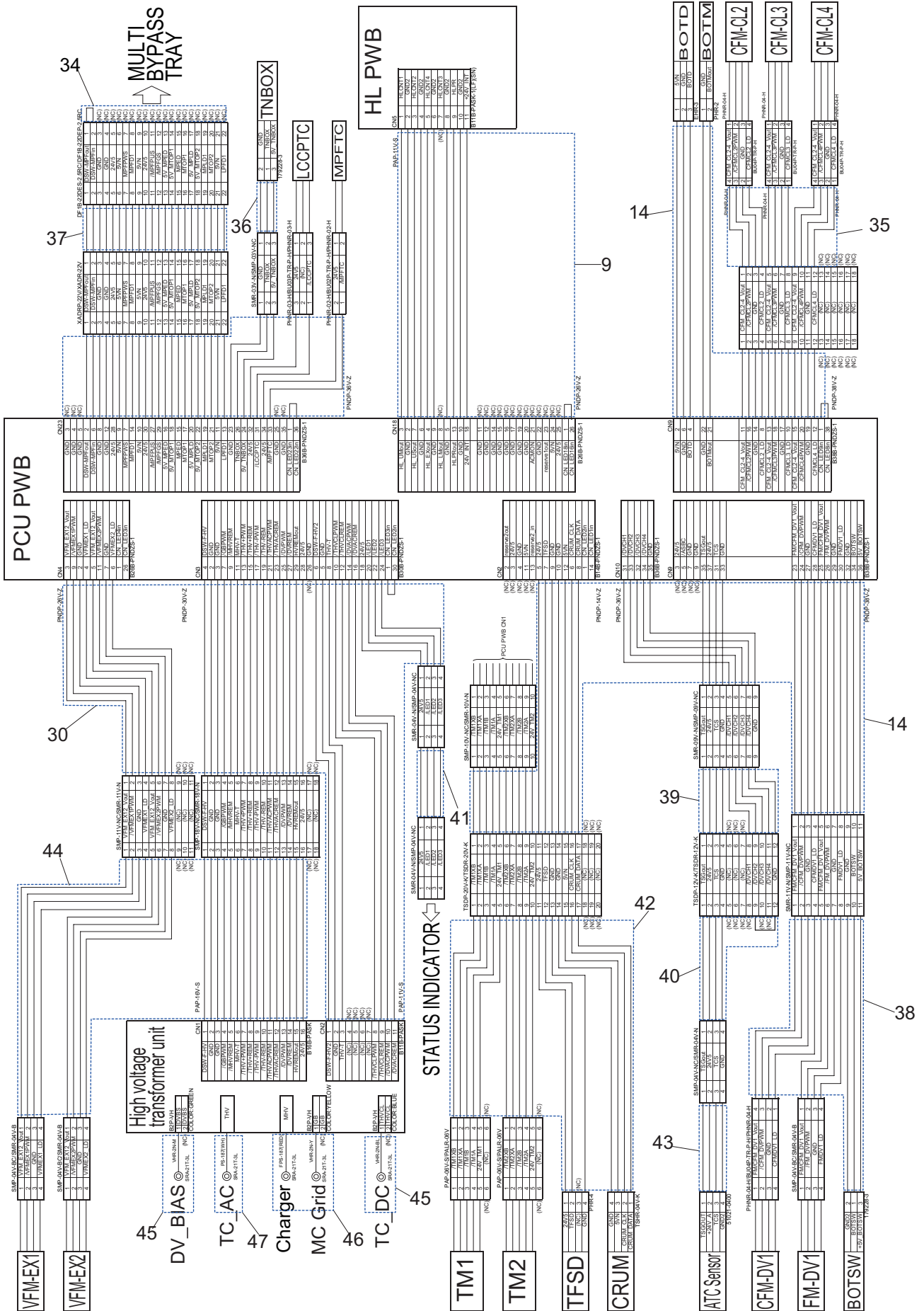


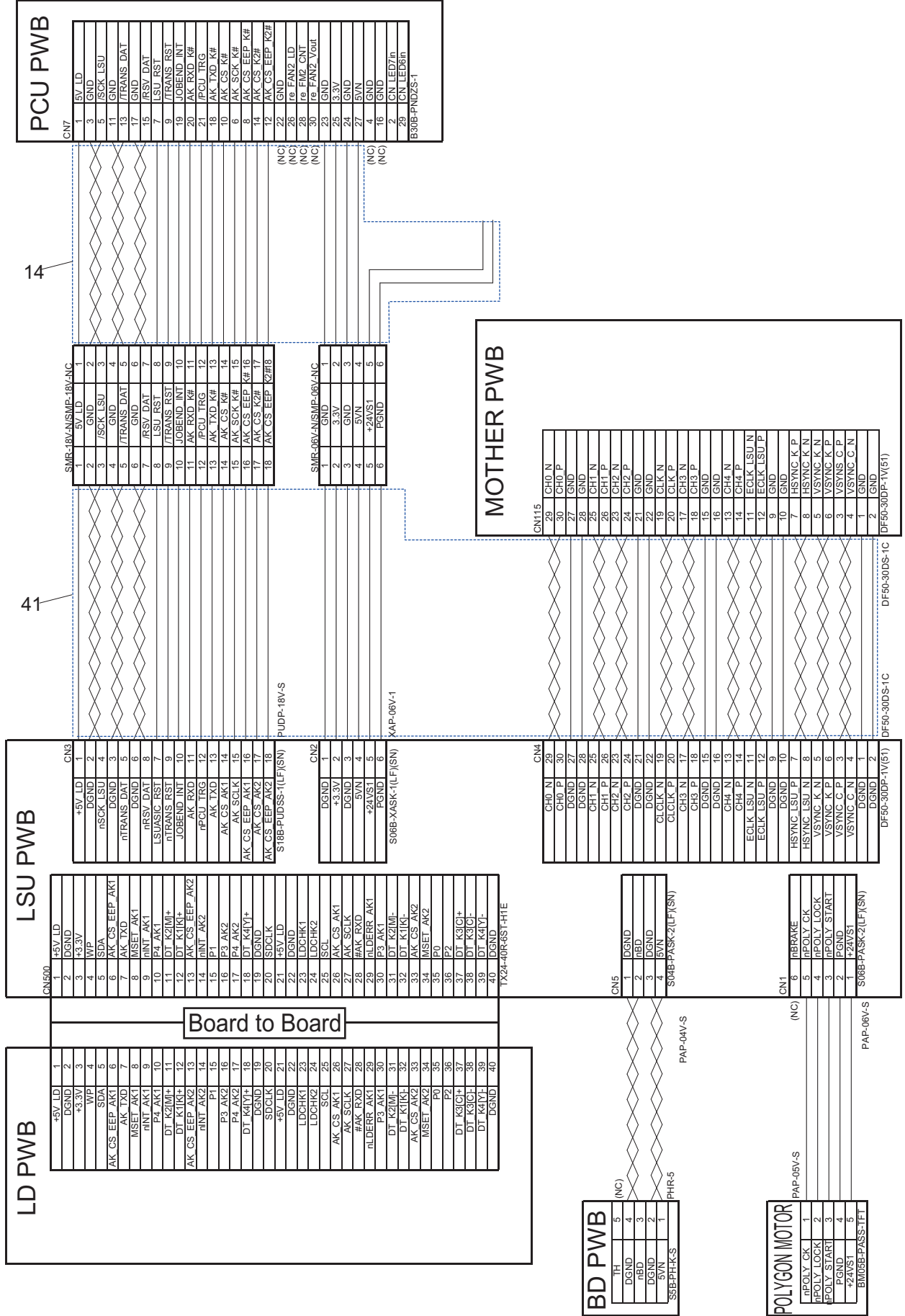


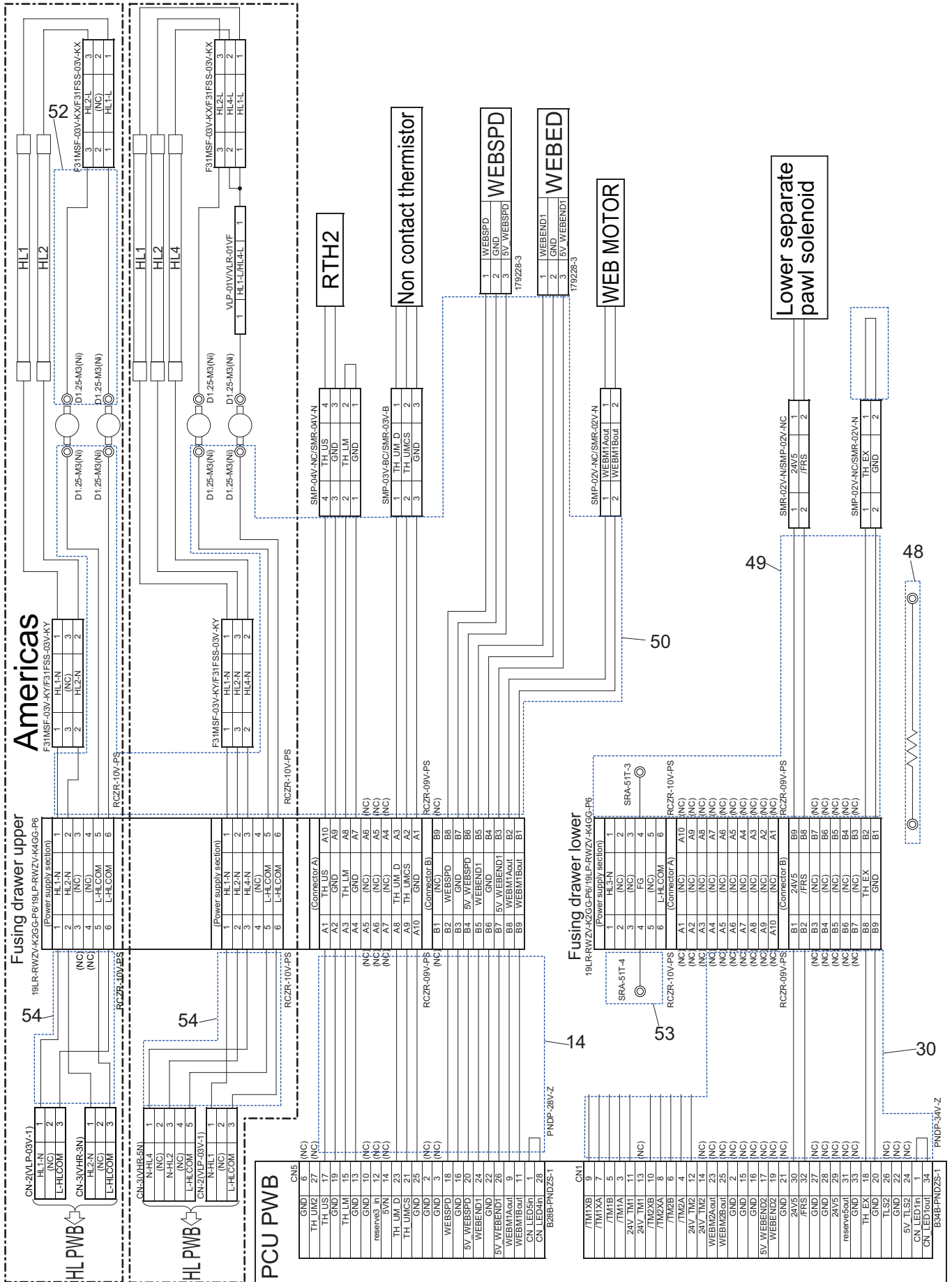


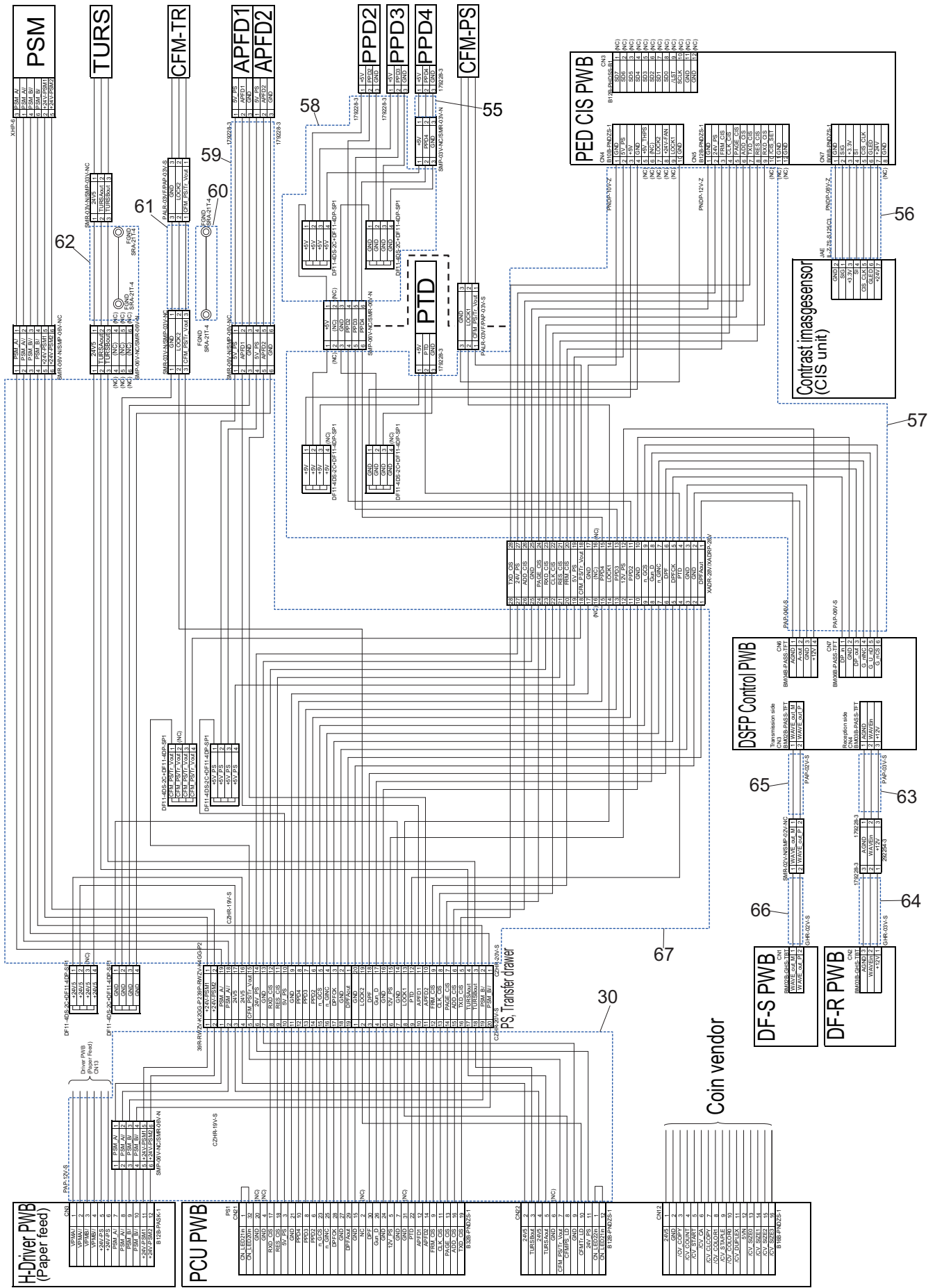


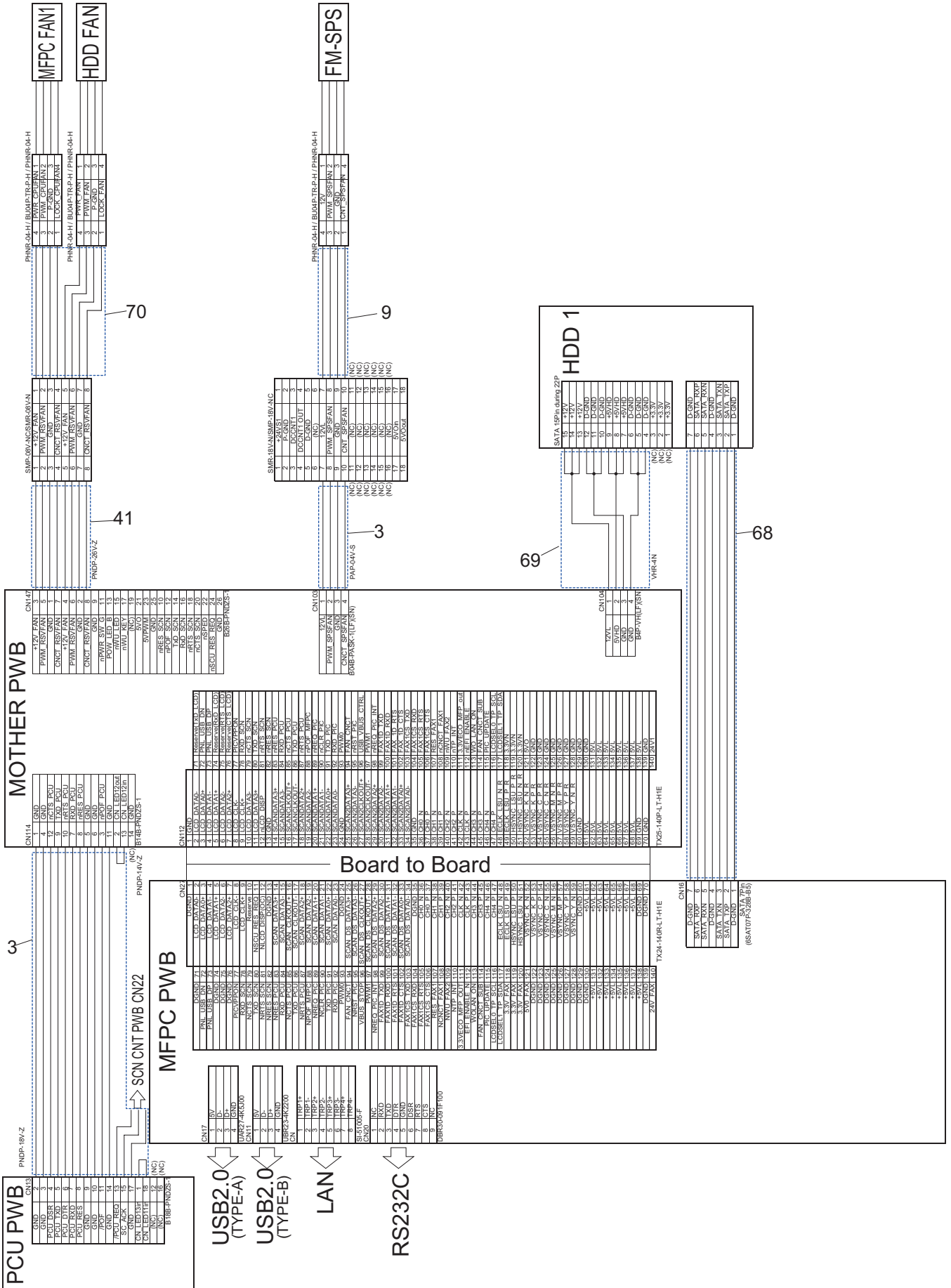






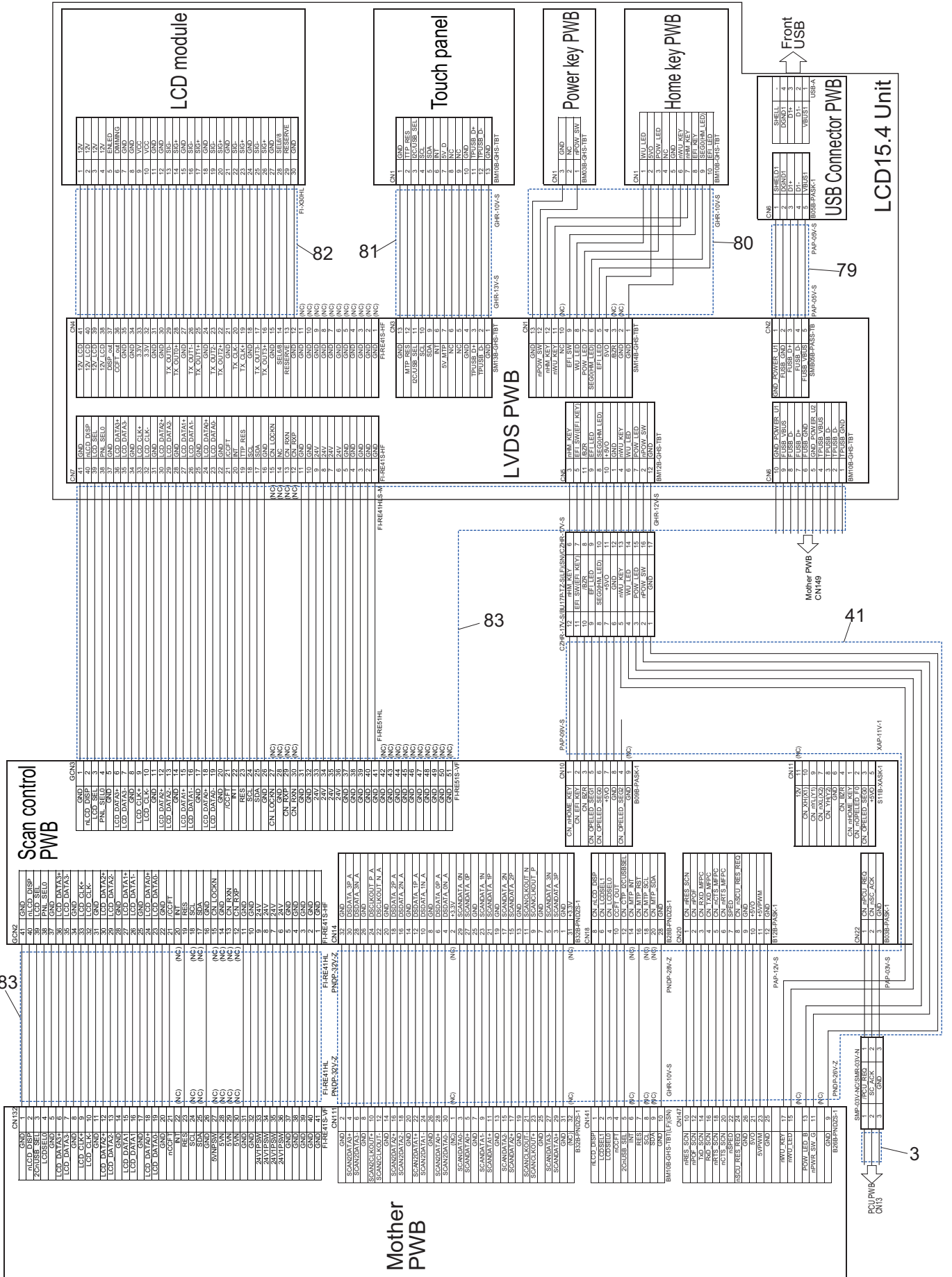




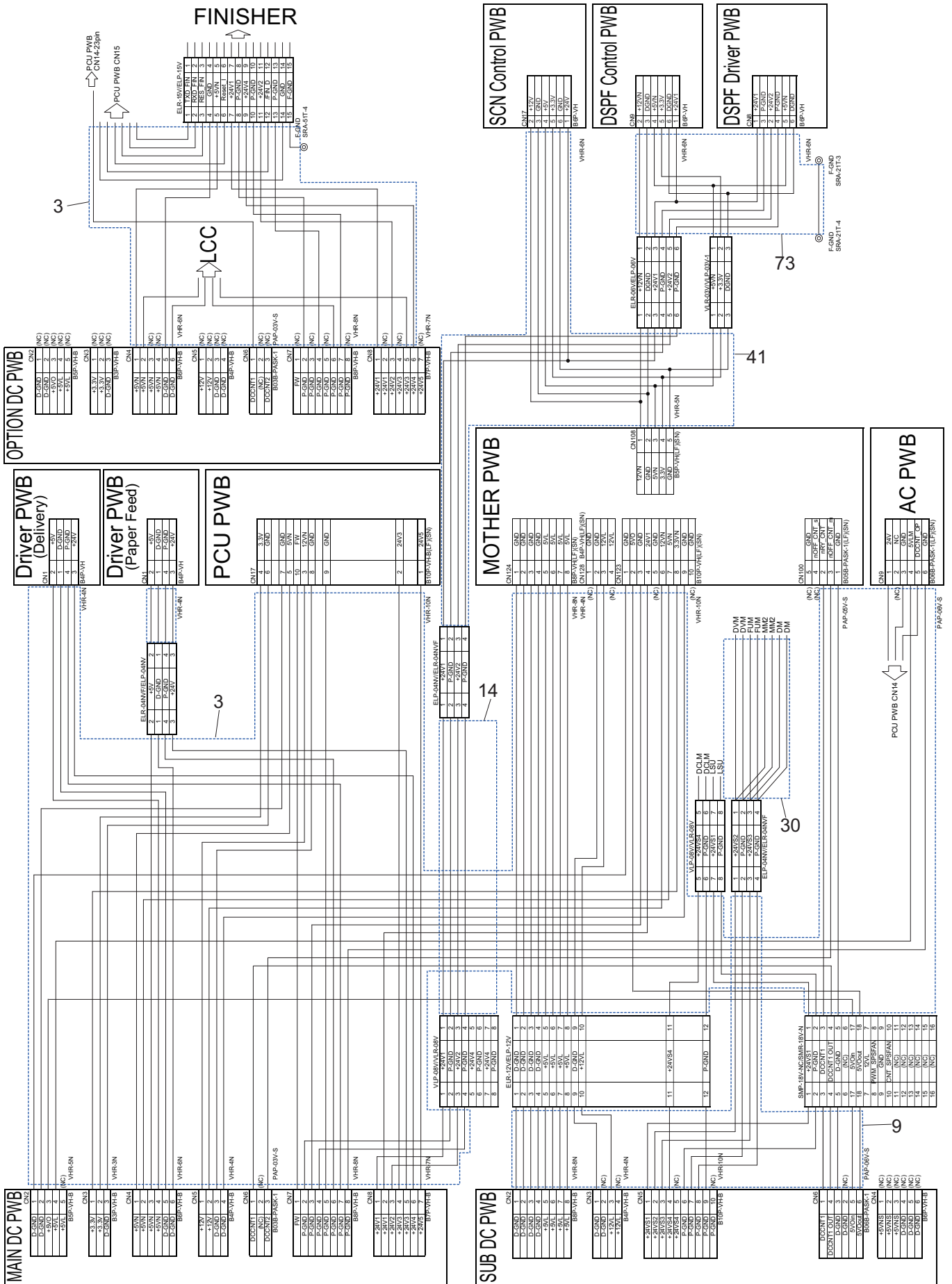


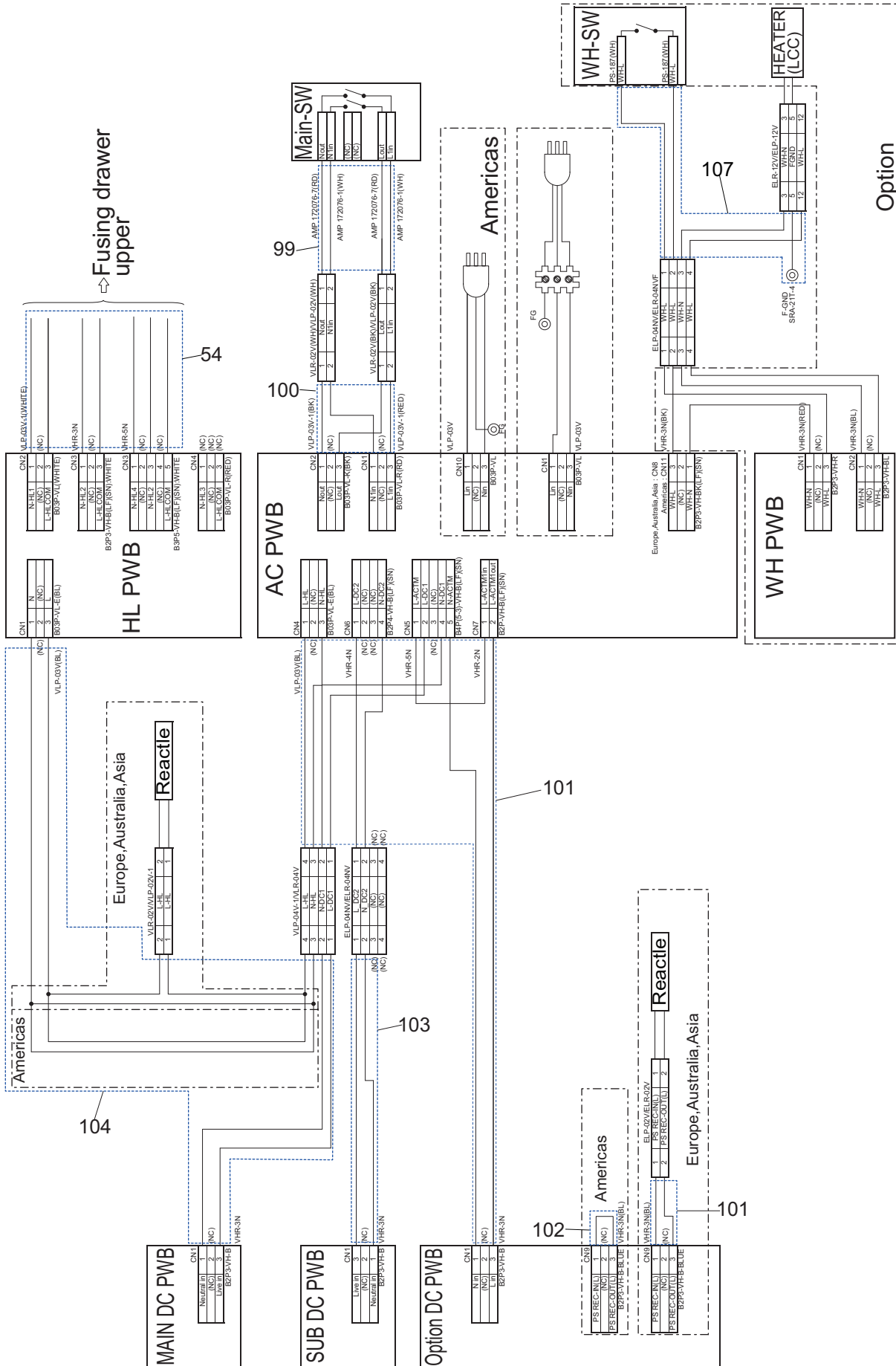


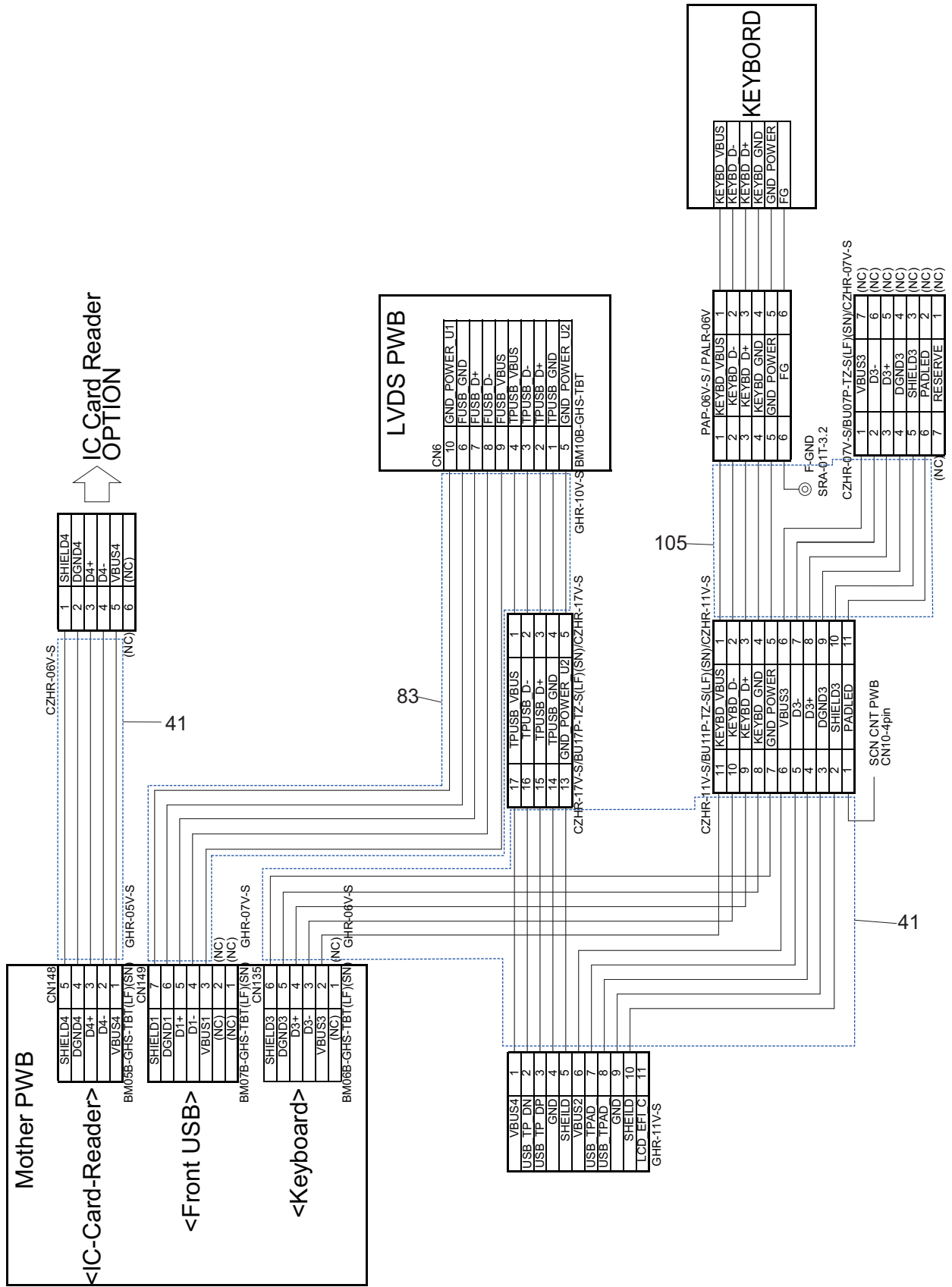








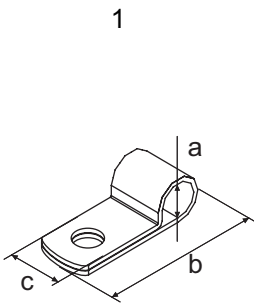




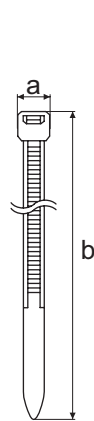
ITEM No.	PART No.	PART NAME	Q'TY / PAGE	Q'TY / PACK	REMARKS
1	6LS03320000	PS sub fan interface harness			
2	6LS03267000	PS main fan interface harness			
3	6LS06885000	Lower main harness			
4	6LS03240000	Tandem interface harness			
5	6LS03194000	Interface pass harness			
6	6LS03197000	Tandem 2 sensor harness			
7	6LS03192000	Vertical transport unit harness			
8	6LS03222000	DSW-CS harness			
9	6LS03236000	Tray interface harness			
10	6LS03276000	Tandem 2 sensor harness 2			
11	6LS03198000	CSS harness			
12	6LS03196000	CPWS interface harness			
13	6LS03235000	Paper feed unit harness			
14	6LS06886000	High step main harness			
15	6LS03189000	MC interface harness			
16	6LS03232000	Process harness			
17	6LS03188000	PCS interface harness			
18	6LS03187000	Process S harness			
19	6LS03271000	Process D unit harness			
20	6LS03321000	Delivery interface harness			
21	6LS03210000	APPD harness			
22	6LS03212000	DSBD1 harness			
23	6LS03213000	ADU fan interface harness			
24	6LS03214000	FAN/solenoid interface harness			
25	6LS03243000	FDSBD harness			
26	6LS03211000	POD harness			
27	6LS03322000	DSBD2 harness			
28	6LS03223000	PA1FAN interface harness			
29	6LS03238000	Front frame harness			
30	6LS03255000	Middle step main harness			
31	6LS03209000	ADU interface harness			
32	6LS03241000	ADU motor harness			
33	6LS03237000	Frame interface harness			
34	6LS03220000	INT SP harness			
35	6LS03200000	Process fan harness			
36	6LS03199000	Toner box harness			
37	6LS03239000	MFP interface harness			
38	6LS03191000	DV fan harness			
39	6LS03272000	DV interface harness			
40	6LS03233000	DV harness			
41	6LS06887000	MOTHER-SCN/LSU interface harness			
42	6LS06561000	Hopper interface harness			
43	6LS03190000	ATC interface harness			
44	6LS03273000	High voltage interface harness			
45	6LS03186000	DV bias harness			
46	6LS03184000	MHV harness			
47	6LS03185000	THV harness			
48	6LS03331000	High voltage resist harness			
49	6LS03270000	Fusing lower harness			
50	6LS03269000	Fusing upper harness			
52	6LS03195000	Thermostat interface harness			
53	6LS03227000	Fusing lower interface harness			
54	6LS03319000	Fusing upper interface harness			
55	6LS03182000	PPD4 harness			
56	6LS03183000	PS CIS harness			
57	6LS03268000	PS unit harness			
58	6LS03181000	PS/PPD harness			
59	6LS03193000	APFD harness			
60	6LS03206000	Transfer earth harness			
61	6LS03207000	Transfer fan harness			
62	6LS03205000	Transfer unit harness			
63	6LS06888000	PDFS-R harness			
64	6LS06889000	PDFS-R sensor harness			

ITEM No.	PART No.	PART NAME	Q'TY / PAGE	Q'TY / PACK	REMARKS
65	6LS06890000	PDFS-T interface harness			
66	6LS06891000	PDFS-T harness			
67	6LS03228000	Middle frame harness			
68	6LS03266000	HDD SATA harness			
69	6LS06405000	SATA POWER harness			
70	6LS03204000	CTL fan interface harness			
71	6LS06023000	CCD-FFC			
72	6LS03261000	SCN motor harness			
73	6LS03252000	DSPF interface harness			
74	6LS03158000	PNC harness			
75	6LS06516000	SCN-LAMP FFC			
76	6LS06025000	SCN-LED FFC			
77	6LS06892000	Original detect sensor harness			
78	6LS03260000	CCD FAN interface harness			
79	6LS06893000	FR-USB harness			
80	6LS06894000	KEY harness			
81	6LS06895000	Touch panel harness			
82	6LS06896000	LCD harness			
83	6LS06897000	15.4 inch interface harness			
84	6LS03247000	DSPF paper feed harness			
85	6LS03215000	Original tray interface harness			
86	6LS03246000	DSPF original tray harness			
87	6LS03250000	DSPF delivery stamp harness			
88	6LS03216000	DSPF motor harness			
89	6LS03245000	DSPF CNT-driver harness			
90	6LS03263000	DSPF CCD harness			
91	6LS03251000	DSPF sensor harness			
92	6LS06646000	Double feed unit interface harness			
93	6LS03217000	Sensor interface harness			
94	6LS03248000	DSPF double feed detect harness			
95	6LS03264000	DSPF LED harness			
96	6LS06898000	DSPF REV harness			
97	6LS06899000	DSPF SEND harness			
99	6LS03202000	MSW harness			
100	6LS06514000	AC/MSW harness			
101	6LS03277000	AC/DC harness			
102	6LS03224000	Reactor harness			
103	6LS03316000	AC sub interface harness			
104	6LS03317000	AC/HL harness			
105	6LS06900000	Keyboard interface harness			
106	6LA58658600	SPF ground wire			
107	6LS03203000	WH-LCC harness			

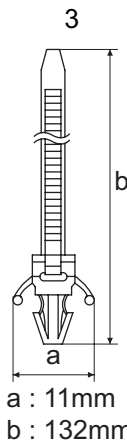




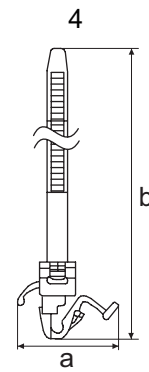
a : 6.8mm  
b : 20.4mm  
c : 9.5mm



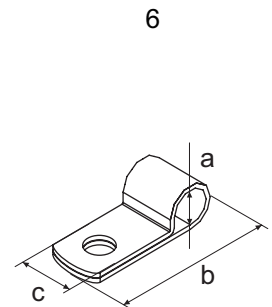
a : 4.4mm  
b : 100mm



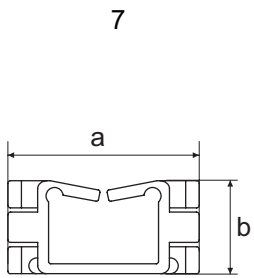
a : 11mm  
b : 132mm



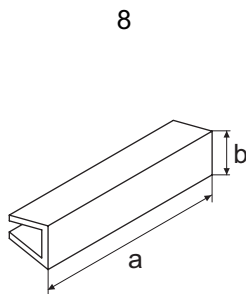
a : 16.2mm  
b : 100mm



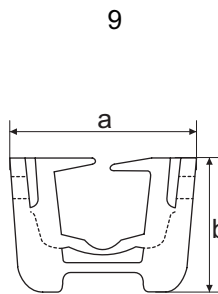
a : 4.8mm  
b : 17.9mm  
c : 9.5mm



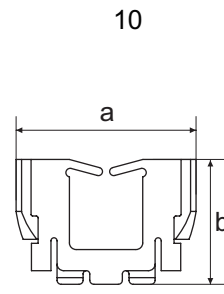
a : 20mm  
b : 10mm  
t : 1.6~2.0mm  
(GRAY)



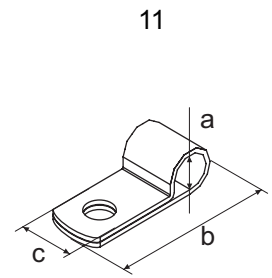
a : 15mm  
b : 3.3mm  
t : 1.0~1.2mm  
(NATURAL)



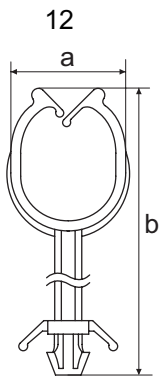
a : 11.8mm  
b : 8.5mm  
(NATURAL)



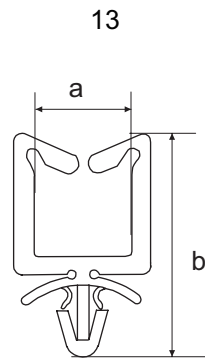
a : 13.2mm  
b : 9.1mm  
t : 0.8~2.0mm  
(NATURAL)



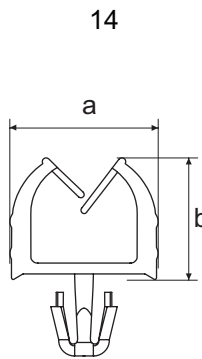
a : 13.2mm  
b : 19.1mm  
c : 9.5mm



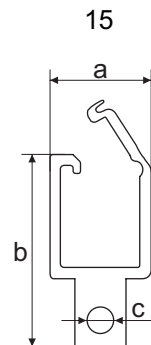
a : 18mm  
b : 51.7mm



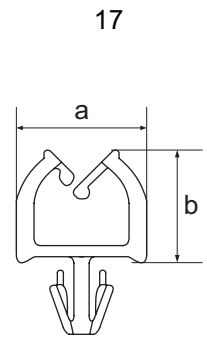
a : 11.1mm  
b : 26.4mm



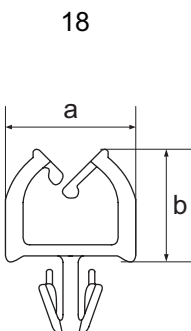
a : 10.6mm  
b : 9.6mm



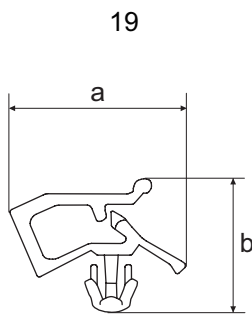
a : 15mm  
b : 28.5mm  
c : 4.2mm



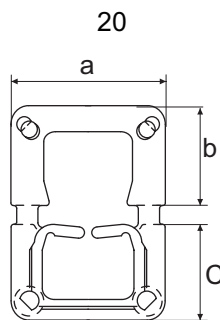
a : 11.8mm  
b : 11.7mm



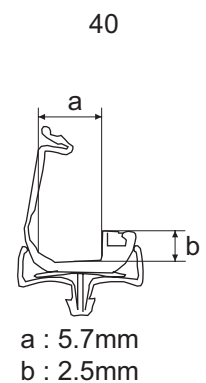
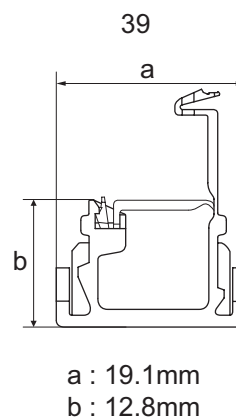
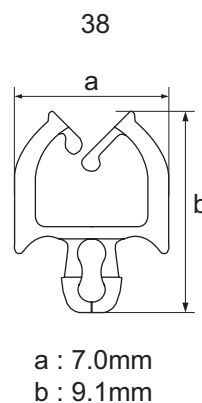
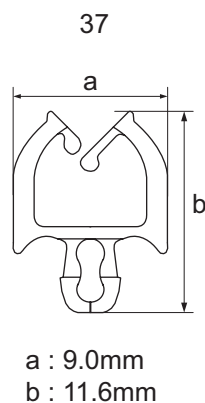
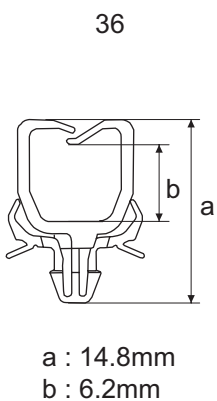
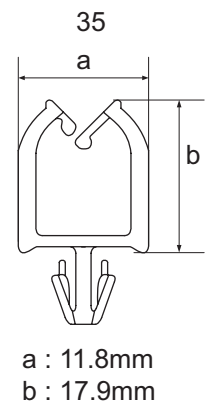
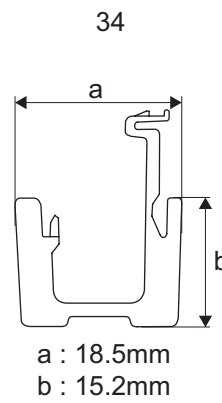
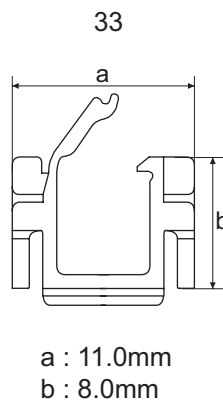
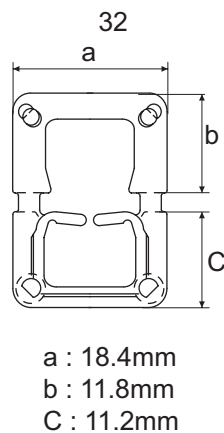
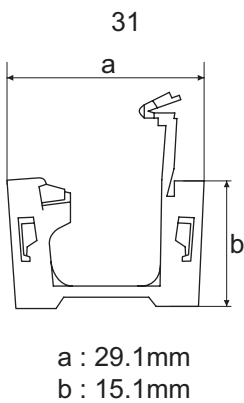
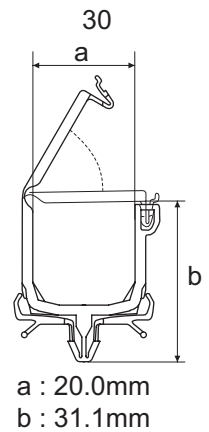
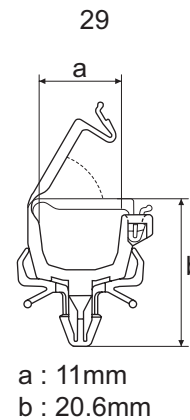
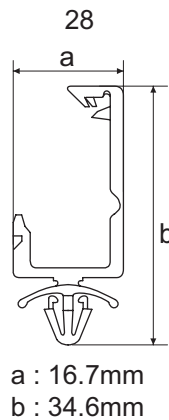
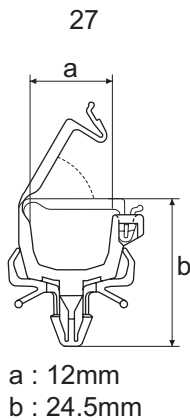
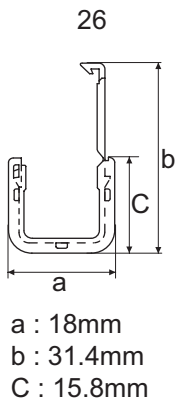
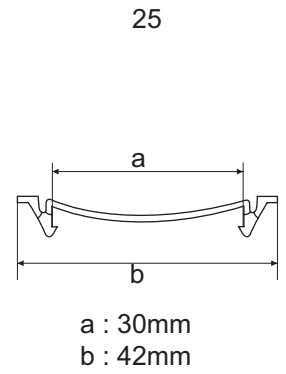
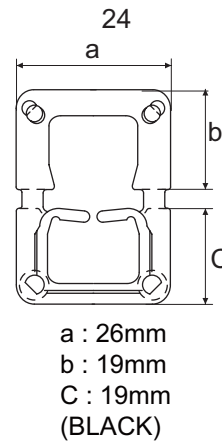
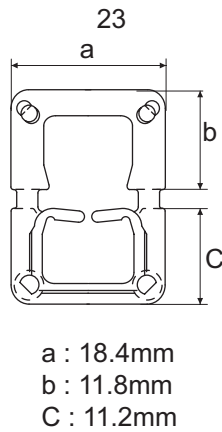
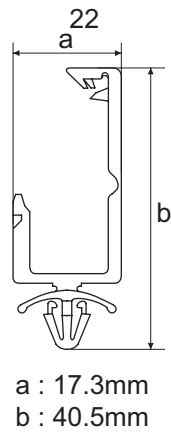
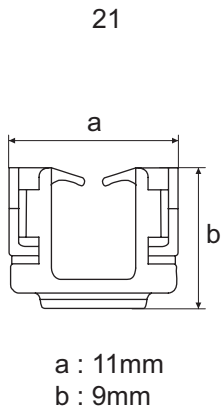
a : 9mm  
b : 7.7mm



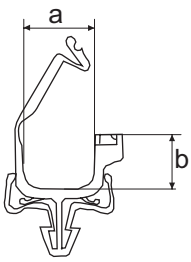
a : 15.1mm  
b : 12mm



a : 22.0mm  
b : 16.8mm  
C : 16.3mm

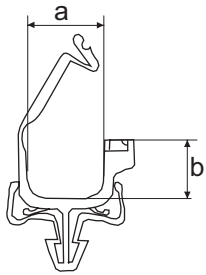


41



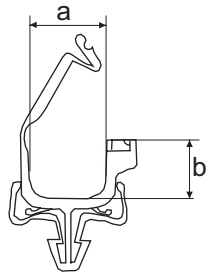
a : 11mm  
b : 8.5mm

42



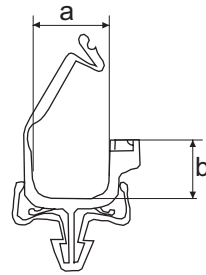
a : 12mm  
b : 12mm

43



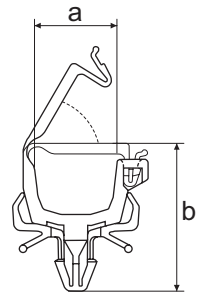
a : 16mm  
b : 14mm

44



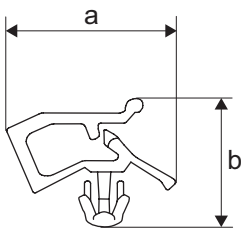
a : 20mm  
b : 20mm

45



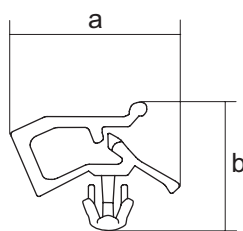
a : 10mm  
b : 17.5mm

46



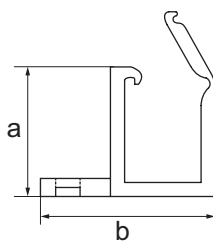
a : 20.5mm  
b : 13.8mm

47



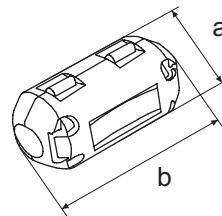
a : 12.6mm  
b : 10.2mm

48



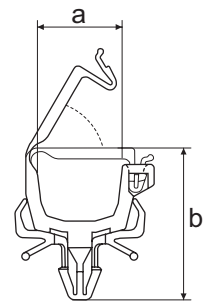
a : 18.5mm  
b : 25.0mm

49



a : 17mm  
b : 30mm

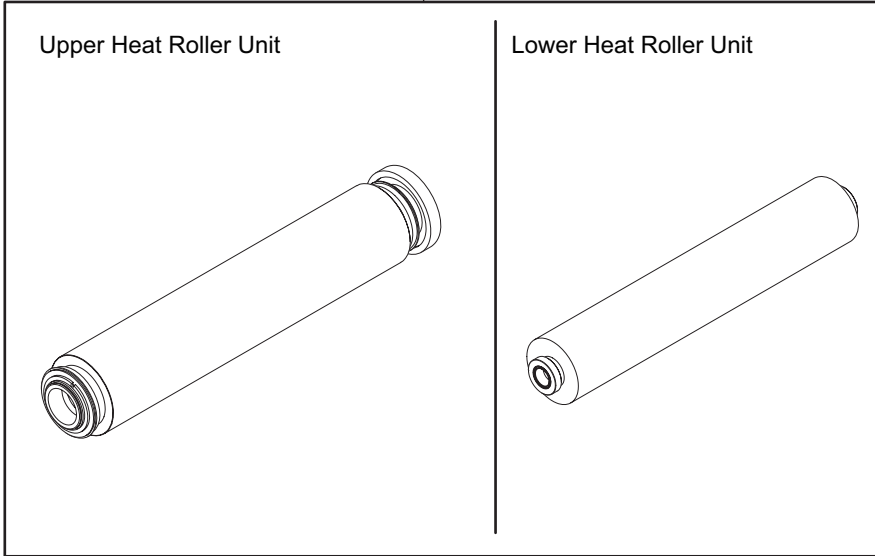
51



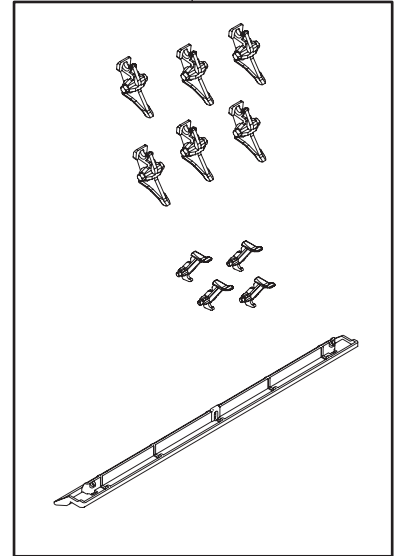
a : 16mm  
b : 27.1mm

ITEM No.	PART No.	PART NAME	Q'TY / PAGE	Q'TY / PACK	REMARKS
1	6LS03472000	Clamp			
2	41330513400	Band			
3	6LS10148000	Band			
4	6LS06473000	Band			
6	6LS03475000	Clamp			
7	6LS03477000	Edge saddle			
8	6LS03480000	Edge saddle			
9	6LS03481000	Edge saddle			
10	6LS03485000	Edge saddle			
11	6LS03597000	Clamp			
12	6LS06408000	Harness lifter			
13	6LS06571000	Wire saddle			
14	6LS03599000	Mini clamp			
15	6LS03600000	Wire saddle			
17	6LS03602000	Mini clamp			
18	6LS03603000	Mini clamp			
19	6LS03604000	Clamp			
20	6LS03607000	Bush			
21	6LA58667500	Edge saddle			
22	6LS03611000	Edge saddle			
23	6LS03612000	Saddle			
24	6LS03613000	Edge holder			
25	6LS03616000	Clamp			
26	6LS03617000	Edge holder			
27	6LS06901000	Wire saddle			
28	6LS03619000	Wire saddle			
29	6LS03620000	Clamp			
30	6LS03621000	Wire saddle			
31	6LS03622000	Edge saddle			
32	6LS03623000	Edge saddle			
33	6LS03624000	Edge saddle			
34	6LS03625000	Edge saddle			
35	6LS03627000	Mini clamp			
36	6LS03629000	Clamp			
37	6LS03630000	Wire saddle			
38	6LS03631000	Harness holder			
39	6LS03632000	Edge saddle			
40	6LS06406000	Clamp			
41	6LS03633000	Clamp			
42	6LS03634000	Wire saddle			
43	6LS03635000	Wire saddle			
44	6LS03636000	Wire saddle			
45	6LS06409000	Clamp			
46	6LS03637000	Clamp			
47	6LS03638000	Clamp			
48	6LS03639000	Wire saddle			
49	6LA58635700	Core			
51	6LS06902000	Wire saddle			

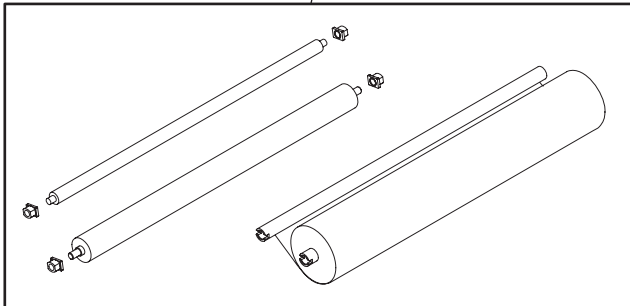
1



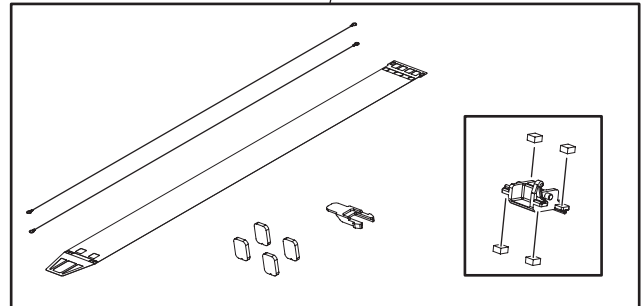
2



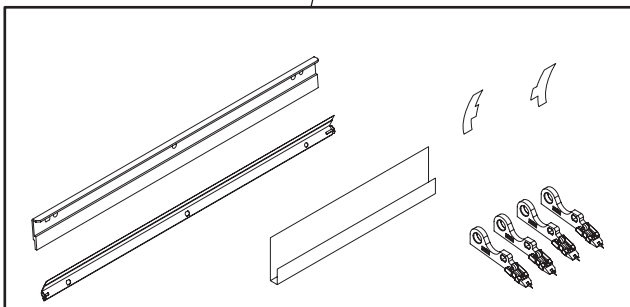
3



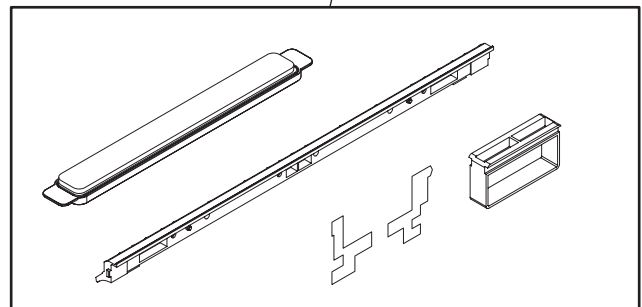
4



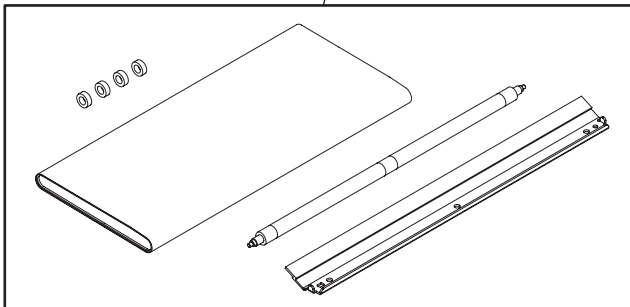
5



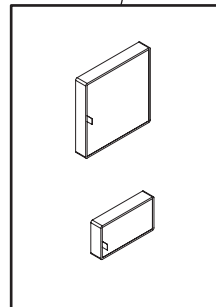
6



7



9



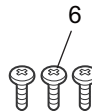
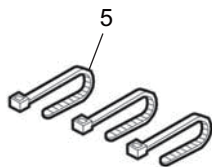
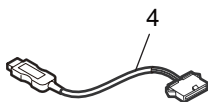
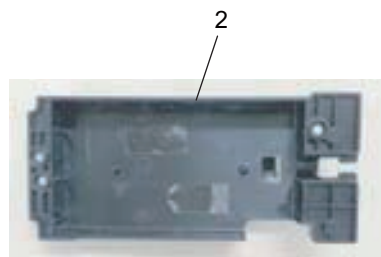
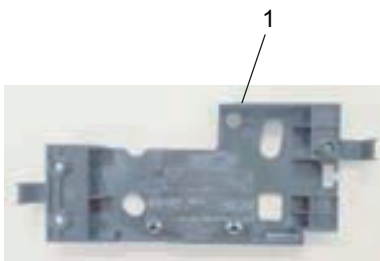








ITEM No.	PART No.	PART NAME	Q'TY / PAGE	Q'TY / PACK	REMARKS
1	6LS05338000	Transport clutch			8-68-64
2	6LS05339000	Paper feed clutch			8-68-64
3	6LS05340000	Multiple steps paper feed clutch			8-68-64
4	6LS05341000	Transport clutch			8-68-64
5	6LS06288000	Lamp			IM_P.2-3
6	6LS06289000	Heater kit			IM_P.3-1
8	6LS06686000	WH PWB			IM_P.3-1
9	6LS04248000	Supporter			IM_P.3-1
10	6LS06291000	WH harness			IM_P.3-1
11	6LS06042000	Dehumidifier heater switch			IM_P.3-1
12	6LS06292000	Heater SW label			IM_P.3-1
13	6LS06293000	SCN dehumidifier heater			IM_P.3-1
15	6LS06473000	Band			IM_P.3-1
16	6LA58847000	Screw (M3 x 4cap, black)			IM_P.3-1
17	6LS03477000	Edge saddle			IM_P.3-1
18	6LS06294000	Main unit cassette heater			IM_P.3-1
19	6LS06295000	Heater mounting plate			IM_P.3-1
20	6LS06296000	heater cover			IM_P.3-1
21	6LS06297000	Heater cover sheet			IM_P.3-1
22	6LS06298000	Heater harness sheet			IM_P.3-1
23	6LA58794400	Screw (M3 x 6S)			IM_P.3-1
24	6LS06299000	High temperature caution label			IM_P.3-1
25	6LS06120000	High temperature mark label			IM_P.3-1
26	6LA58794800	Screw (M4 x 8S)			IM_P.3-1
27	6LS06300000	Heater kit			IM_P.3-1
28	6LS06301000	Heater harness			IM_P.3-1
29	6LS10148000	Snap band			IM_P.3-1
30	6LA58665600	AC cord fixer			IM_P.3-1
31	6LS06302000	Connector cover A			IM_P.3-1
32	6LS06303000	Connector cover B			IM_P.3-1
34	6LS06689000	Heater			IM_P.3-1
35	6LS06192000	Screw (M4 x 8K)			IM_P.3-1
36	6LS06219000	Screw (M3 x 4)			IM_P.3-1
37	6LS06305000	Screw for EL connector			IM_P.3-1
38	6LS06306000	Screw (M4 x 28K)			IM_P.3-1
39	6LS06307000	Screw (M3 x 20)			IM_P.3-1
40	6LA58794800	Screw (M4 x 8)			IM_P.3-1
41	6LS06308000	Nut (M3 = 2.4)			IM_P.3-1
60	6LS06313000	Heater kit			IM_P.3-1
62	6LS06687000	LCT heater			IM_P.3-1
63	6LS04036000	LCT heater mount plate			IM_P.3-1
64	6LS03603000	Mini clamp			IM_P.3-1
65	6LS03615000	Edge wire saddle			IM_P.3-1
66	6LS06219000	Screw (M3x4 S-tight)			IM_P.3-1
68	6LS06688000	Desk heater			IM_P.3-1
69	6LS03755000	Desk heater mount plate			IM_P.3-1
70	6LS05759000	Heater heat sink			IM_P.3-1
71	6LS06316000	Mini clamp			IM_P.3-1
72	6LA58794400	Screw (M3x6 S-tight)			IM_P.3-1
73	6LA58794800	Screw (M4x8 S-tight)			IM_P.3-1
74	6LS04278000	Step screw			IM_P.3-1
75	6LS06120000	High temperature mark label			IM_P.3-1
76	6LS06042000	Dehumidifier heater switch			IM_P.3-1
77	6LS03280000	LCT WH SW harness			IM_P.3-1
78	6LS03292000	LCT heater harness 1			IM_P.3-1
79	6LS03293000	LCT heater harness 2			IM_P.3-1
80	6LS06292000	Heater SW label			IM_P.3-1







**TOSHIBA**

**Toshiba Tec Corporation**

1-11-1, OSAKI, SHINAGAWA-KU, TOKYO, 141-8562, JAPAN