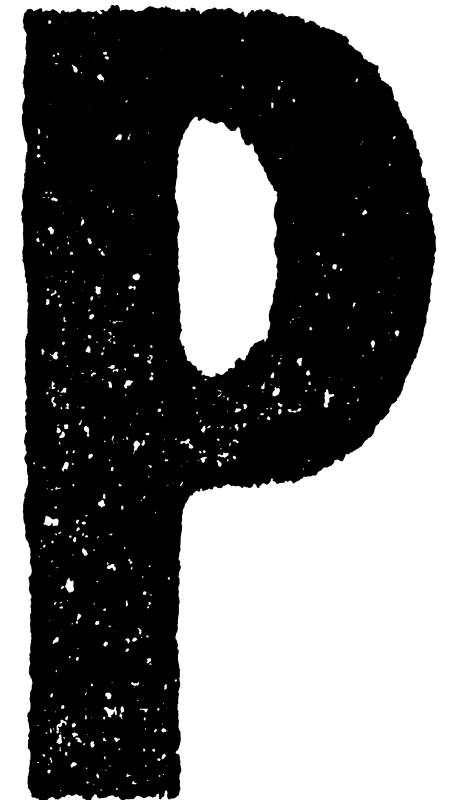


SERVICE PARTS LIST

A3/11"x17" Tray Unit

TK5010



A3/11"x17" Tray Unit TK5010 (B331-14)

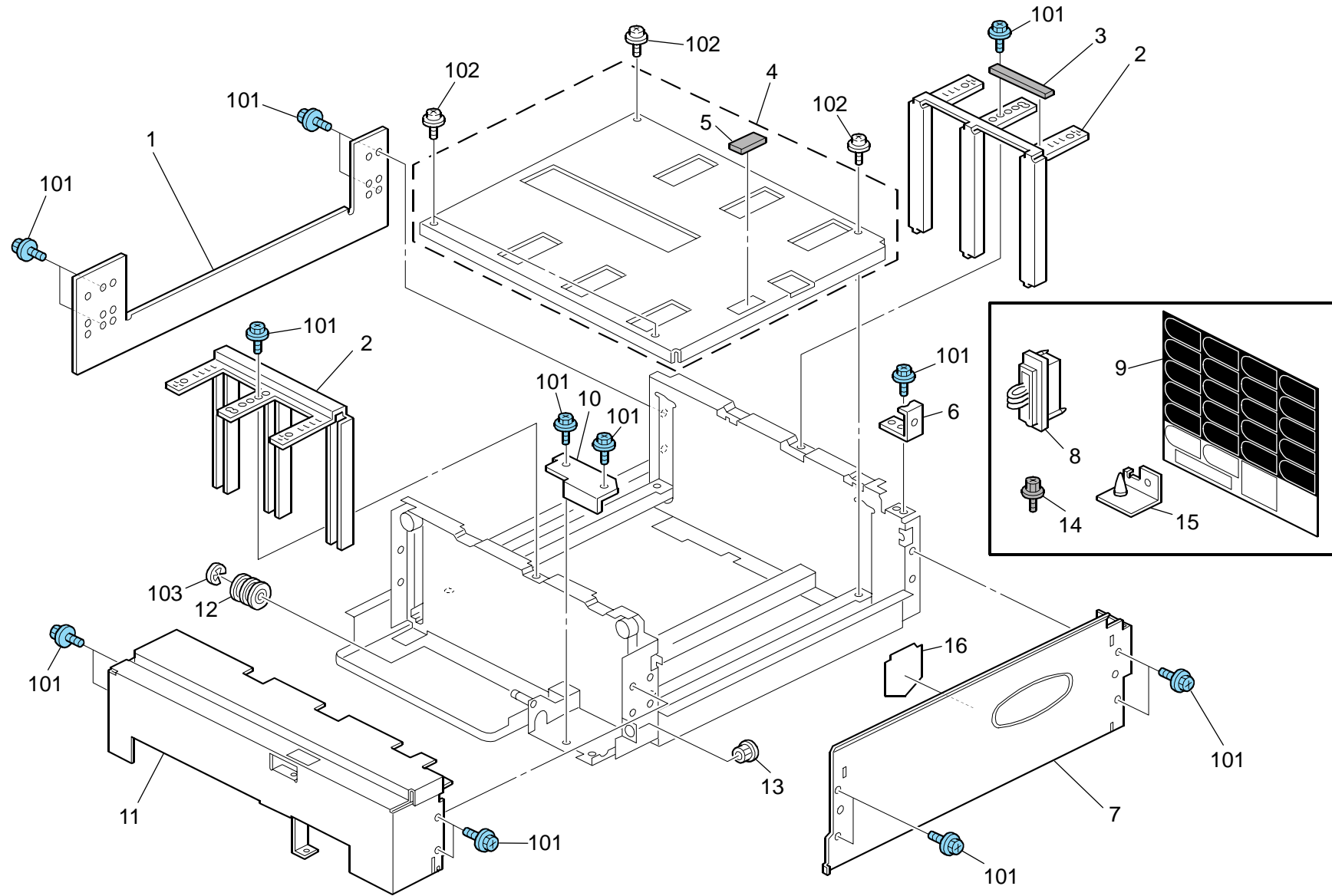
PARTS CATALOG

This catalog gives the numbers and names of parts on this machine.

1.Paper Tray 1 (B331-14)	2
2.Paper Tray 2 (B331-14)	4
Parts Index.....	8

July 20, 2010

1.Paper Tray 1 (B331-14)

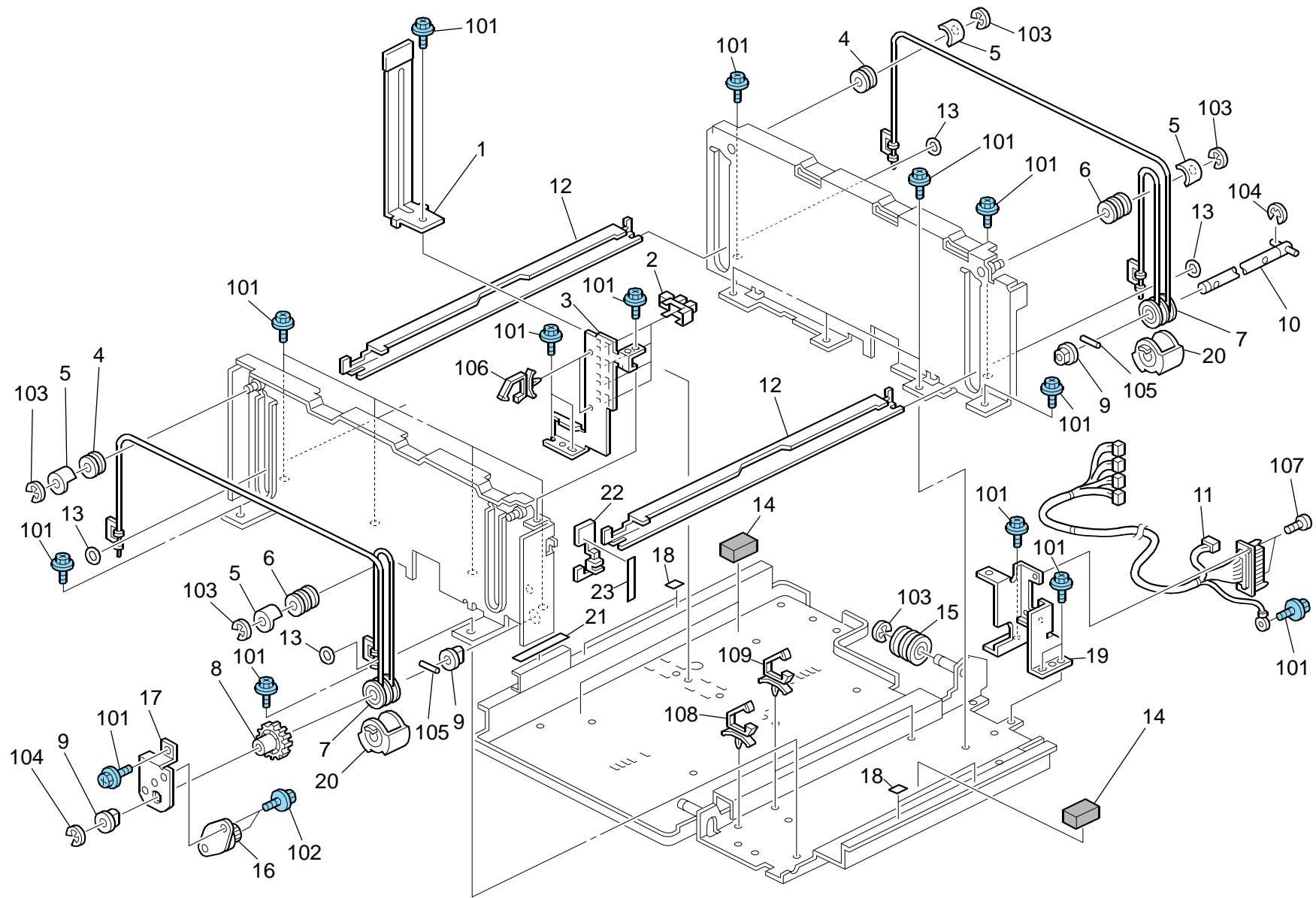


1.Paper Tray 1 (B331-14)

Index No.	Part No.	Description	Q'ty Per Assembly
1	A294 6645	Left Side Plate	1
2	B331 6853	Side Fence:Large Capacity Tray	2
3	B475 6855	Shield:Tandem Lct:Rear Right	1
4	B331 6844	Bottom Plate	1
5	5201 2858	Friction Pad	1
6	B247 6695	Guide:Misfeed Removal:Paper Tray	1
7	D059 6668	Side Plate:Side:Tandem LCT	1
8	B475 6873	Paper Tray Harness	1
9	D059 8510	Decal:Size Indication:Multi-language:1	1
9	D059 8511	Decal:Size Indication:Multi-language:2	1
10	B331 6659	Stopper:Registration:Right	1
11	B331 6628	Cover:Front:Large Capacity Tray	1
12	AF02 2105	Roller - Slide Rail	1
13	B234 6141	Positioning Sleeve - Inner Back	1
14	D059 2399	Flanged Hexagonal Head Bolt:M3x4	2
15	B331 6621	Bracket:Rail:Large Capacity Tray:Peen	1
16	D059 6664	Guide:Middle:Paper Tray	1

Index No.	Part No.	Description	Q'ty Per Assembly
101	0454 4006Q	Tapping Screw:4x6	
102	0951 4006N	Screw:Polished Round:M4x6	
103	0720 0040E	Retaining Ring - M4	

2.Paper Tray 2 (B331-14)



2.Paper Tray 2 (B331-14)

Index No.	Part No.	Description	Q'ty Per Assembly
1	B331 6862	End Fence	1
2	AW02 0145	Photointerruptor:Flat	4
3	B331 6736	Sensor Bracket	1
4	AB03 2058	Wire Pulley - M10	2
5	A248 6695	Guide - Pulley	4
6	AB03 2719	Pulley - M10	2
7	B331 6836	Pulley:Drive Were:Ass'y	2
8	AB01 3781	Gear - 30Z	1
9	5053 0223	Bushing - 8mm	3
10	A248 6687	Right Drive Shaft	1
11	B331 5001	Harness:Paper Tray:A3:Set Sensor	1
12	B065 6870	Stay - Rightbase	2
13	A248 6694	Wire Ring	4
14	B331 6811	Cushion - 20x30	3
15	AF02 2105	Roller - Slide Rail	1
16	B247 6901	Oil Damper:Fall	1
17	B065 6872	Oil Damper Bracket	1
18	D453 1335	Decal:TCRU	4
19	B132 7575	Bracket:Connector:Tandem LCT	1
20	A248 6696	Pulley Cover	2
21	B065 6545	Decal - Positioning	1
22	A294 6690	Feeler - Paper Height Sensor	1
23	B065 6717	Paper Volume Shield Plate	1

Index No.	Part No.	Description	Q'ty Per Assembly
101	0454 4006Q	Tapping Screw:4x6	
102	0454 4008Q	Tapping Screw - M4x8	
103	0720 0040E	Retaining Ring - M4	
104	0720 0060E	Retaining Ring - M6	
105	0633 0200G	Pin - M3x20	
106	1105 0619	Clamp:LBWS-0605S-V0	
107	0313 0080N	Pan Head Screw:M3x8	
108	1105 0488	Harness Clamp	
109	1105 0487	Harness Clamp	

Parts Index

Parts Index

Part No.	Description	Page and Index No.
B331 5001	Harness:Paper Tray:A3:Set Sensor	5 - 11
B331 6621	Bracket:Rail:Large Capacity Tray:Peen	3 - 15
B331 6628	Cover:Front:Large Capacity Tray	3 - 11
B331 6659	Stopper:Registration:Right	3 - 10
B331 6736	Sensor Bracket	5 - 3
B331 6811	Cushion - 20x30	5 - 14
B331 6836	Pulley:Drive Were:Ass'y	5 - 7
B331 6844	Bottom Plate	3 - 4
B331 6853	Side Fence:Large Capacity Tray	3 - 2
B331 6862	End Fence	5 - 1

Part No.	Description	Page and Index No.
A248 6687	Right Drive Shaft	5 - 10
A248 6694	Wire Ring	5 - 13
A248 6695	Guide - Pulley	5 - 5
A248 6696	Pulley Cover	5 - 20
A294 6645	Left Side Plate	3 - 1
A294 6690	Feeler - Paper Height Sensor	5 - 22
B065 6545	Decal - Positioning	5 - 21
B065 6717	Paper Volume Shield Plate	5 - 23
B065 6870	Stay - Rightbase	5 - 12
B065 6872	Oil Damper Bracket	5 - 17
B132 7575	Bracket:Connector:Tandem LCT	5 - 19
B234 6141	Positioning Sleeve - Inner Back	3 - 13
B247 6695	Guide:Misfeed Removal:Paper Tray	3 - 6
B247 6901	Oil Damper:Fall	5 - 16
B475 6855	Shield:Tandem Lct:Rear Right	3 - 3
B475 6873	Paper Tray Harness	3 - 8
D059 2399	Flanged Hexagonal Head Bolt:M3x4	3 - 14
D059 6664	Guide:Middle:Paper Tray	3 - 16
D059 6668	Side Plate:Side:Tandem LCT	3 - 7
D059 8510	Decal:Size Indication:Multi-language:1	3 - 9
D059 8511	Decal:Size Indication:Multi-language:2	3 - 9
D453 1335	Decal:TCRU	5 - 18

Part No.	Description	Page and Index No.
AB01 3781	Gear - 30Z	5 - 8
AB03 2058	Wire Pulley - M10	5 - 4
AB03 2719	Pulley - M10	5 - 6
AF02 2105	Roller - Slide Rail	3 - 12
AF02 2105	Roller - Slide Rail	5 - 15
AW02 0145	Photointerruptor:Flat	5 - 2

Part No.	Description	Page and Index No.
0313 0080N	Pan Head Screw:M3x8	5 - 107
0454 4006Q	Tapping Screw:4x6	3 - 101
0454 4006Q	Tapping Screw:4x6	5 - 101
0454 4008Q	Tapping Screw - M4x8	5 - 102
0633 0200G	Pin - M3x20	5 - 105
0720 0040E	Retaining Ring - M4	5 - 103
0720 0040E	Retaining Ring - M4	3 - 103
0720 0060E	Retaining Ring - M6	5 - 104
0951 4006N	Screw:Polished Round:M4x6	3 - 102
1105 0487	Harness Clamp	5 - 109
1105 0488	Harness Clamp	5 - 108
1105 0619	Clamp:LBWS-0605S-V0	5 - 106

Part No.	Description	Page and Index No.
5053 0223	Bushing - 8mm	5 - 9
5201 2858	Friction Pad	3 - 5

Part No.	Description	Page and Index No.
----------	-------------	--------------------