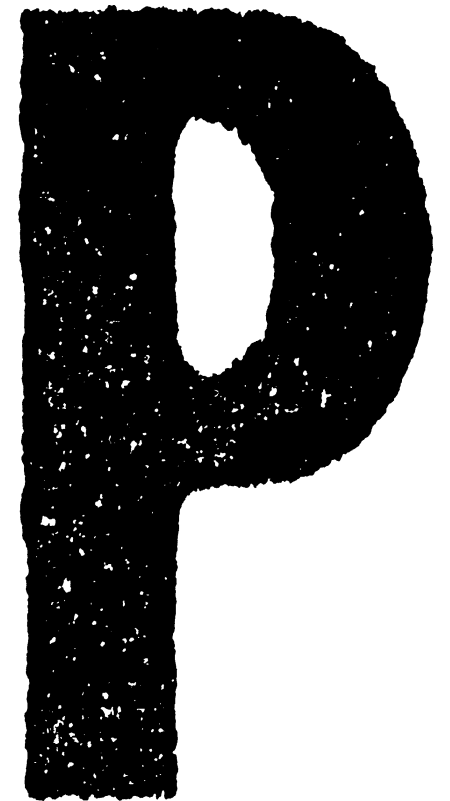


# SERVICE PARTS LIST

Booklet Finisher

**SR5020**



## Booklet Finisher SR5020 (D434)

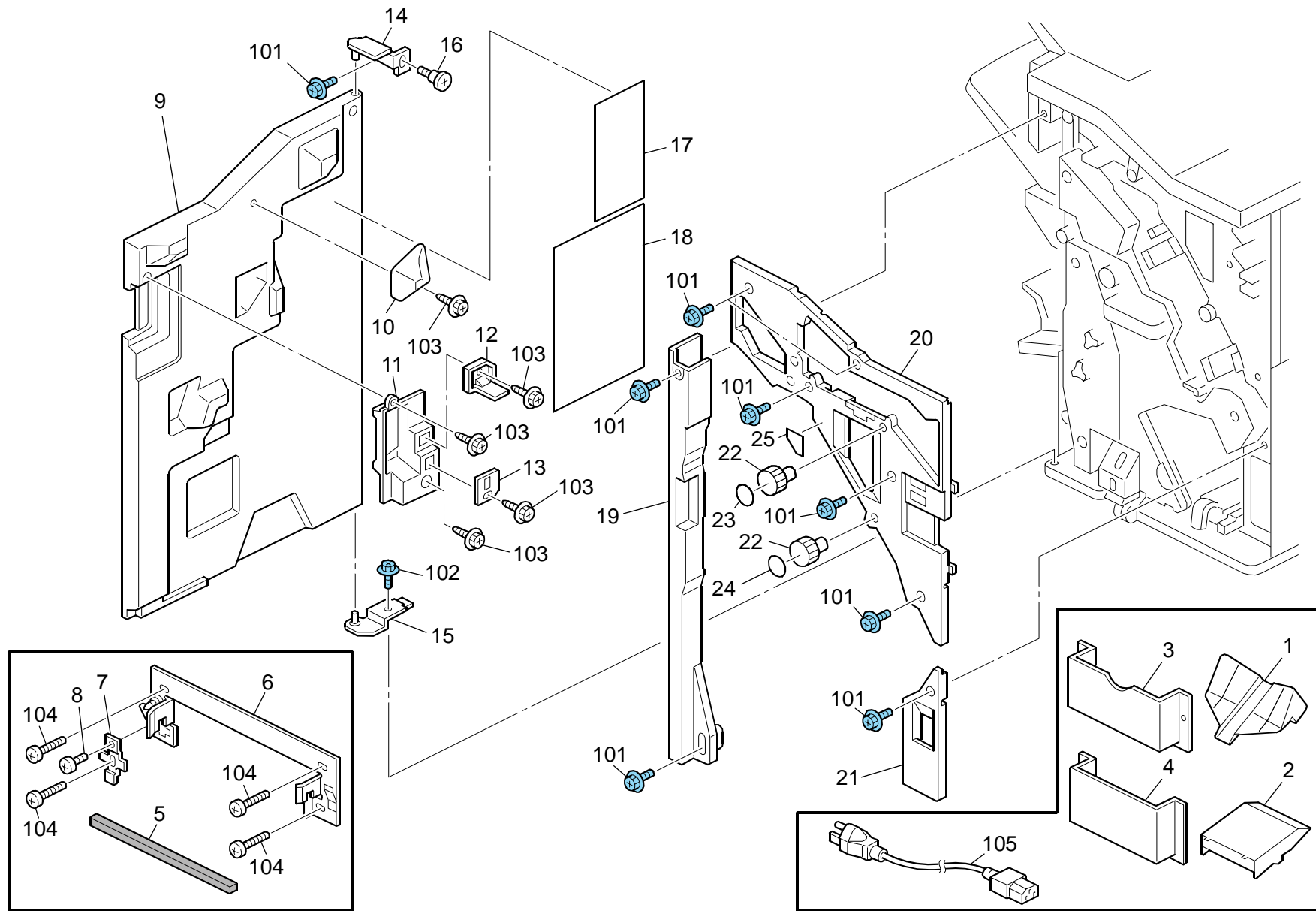
### PARTS CATALOG

This catalog gives the numbers and names of parts on this machine.

1.Exterior 1 (D434) .....	2	20.Staple Unit 10 (D434) .....	40
2.Exterior 2 (D434) .....	4	21.Staple Unit 11 (D434) .....	42
3.Paper Transfer:Entrance 1 (D434) .....	6	22.Staple Unit 12 (D434) .....	44
4.Paper Transfer:Entrance 2 (D434) .....	8	23.Booklet Unit 1 (D434).....	46
5.Paper Transfer:Proof Tray 1 (D434).....	10	24.Booklet Unit 2 (D434).....	48
6.Paper Transfer:Proof Tray 2 (D434).....	12	25.Booklet Unit 3 (D434).....	50
7.Paper Transfer:Proof Tray 3 (D434).....	14	26.Booklet Unit 4 (D434).....	52
8.Paper Transfer:Staple 1 (D434) .....	16	27.Booklet Unit 5 (D434).....	54
9.Paper Transfer:Staple 2 (D434) .....	18	28.Paper Exit Section 1 (D434) .....	56
10.Paper Transfer:Staple 3 (D434) .....	20	29.Paper Exit Section 2 (D434) .....	58
11.Staple Unit 1 (D434) .....	22	30.Paper Exit Section 3 (D434) .....	60
12.Staple Unit 2 (D434) .....	24	31.Shift Tray 1 (D434).....	62
13.Staple Unit 3 (D434) .....	26	32.Shift Tray 2 (D434).....	64
14.Staple Unit 4 (D434) .....	28	33.Shift Tray 3 (D434).....	66
15.Staple Unit 5 (D434) .....	30	34.Jogger Section (D434).....	68
16.Staple Unit 6 (D434) .....	32	35.Drive Section (D434).....	70
17.Staple Unit 7 (D434) .....	34	36.Electrical Section (D434) .....	72
18.Staple Unit 8 (D434) .....	36	37.Frame Section (D434).....	74
19.Staple Unit 9 (D434) .....	38	<b>Parts Index.....</b>	<b>78</b>

July 20, 2010

# 1.Exterior 1 (D434)

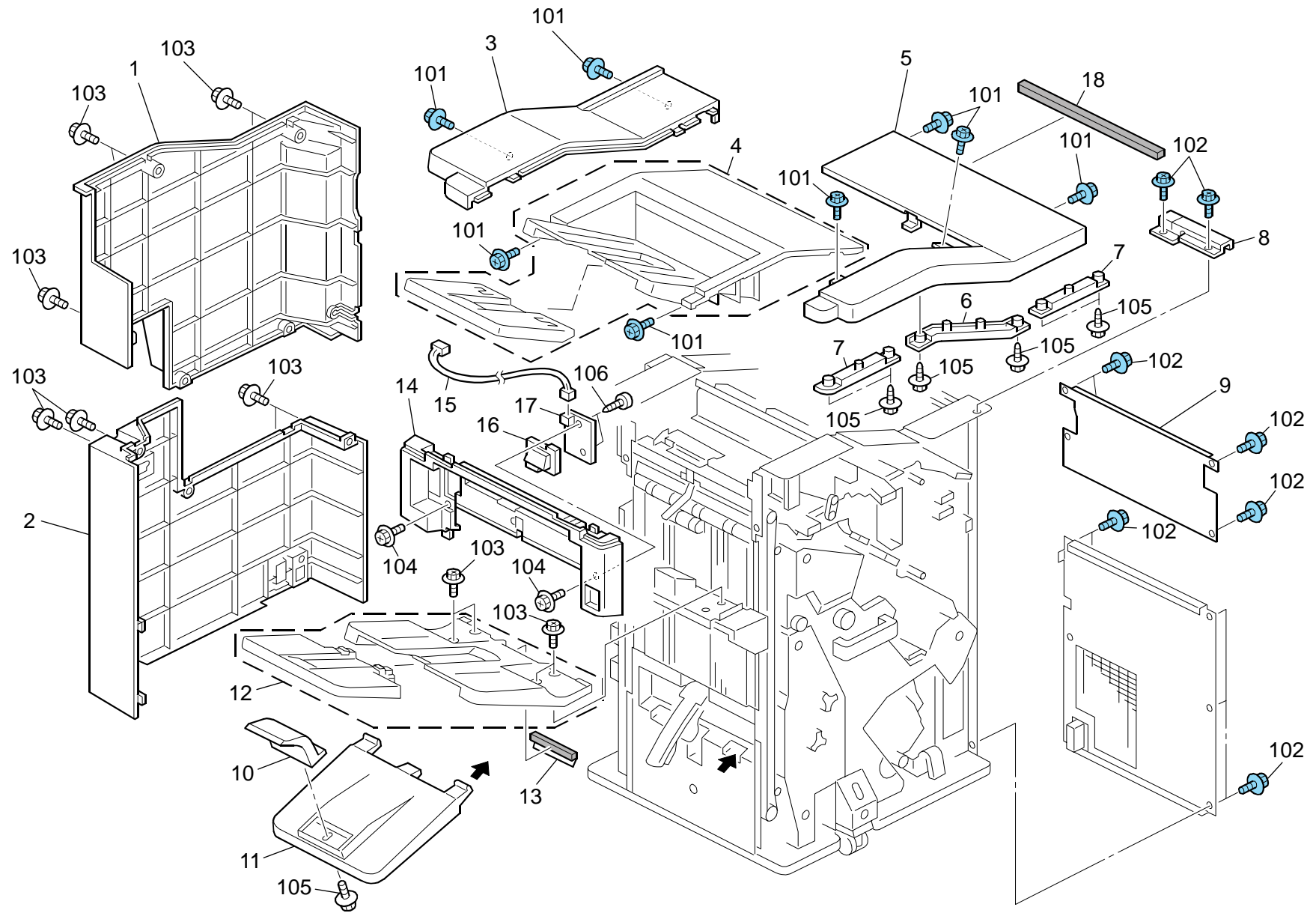


## 1.Exterior 1 (D434)

Index No.	Part No.	Description	Q'ty Per Assembly
1	D434 7515	Tray:Auxiliary:Leading Edge	1
2	B706 7631	Tray:Auxiliary:Shift Tray	1
3	B154 8521	Holder:Operating Instructions	1
4	B039 1321	Operating Instructions Holder	1
5	D447 7591	Cushion:Spacer:440mm	1
6	D434 1476	Bracket:Coupling:Main:Ass'y	1
7	B830 7536	Coupling Bracket - Correct	1
8	AA14 3396	Screw - M4x4	1
9	D434 6210	Door:Front	1
10	D434 6251	Door:Front:Small	1
11	D434 6220	Grip:Door:Front	1
12	B234 1293	Lever - Safety Switch	1
13	B234 1296	Plate:Magnet Catch	1
14	B302 6157	Upper Hinge - Front Door	1
15	D434 6290	Hinge:Door:Lower:Ass'y	1
16	AA14 3807	Screw:A	1
17	D434 7810	Decal:Misfeed Removal	1
18	D434 7815	Decal:Staple Exchange	1
19	D434 6301	Cover:Left:Front	1
20	D434 6101	Inner Cover:Front:Upper	1
21	D434 6151	Inner Cover:Front:Lower	1
22	B408 2281	Knob - Transfer Roller	2
23	D434 7705	Decal:Registration Roller:RB2	1
24	D434 7735	Decal:Pre Stack:Upper:RB8	1
25	D434 7740	Decal:Guide Plate:Turn: Open And Close:RB9	1

Index No.	Part No.	Description	Q'ty Per Assembly
101	0454 3008Q	Tapping Screw:3x8	
102	0454 4008Q	Tapping Screw - M4x8	
103	0450 4008N	Tapping Screw - M4x8	
104	0354 0140N	Screw M4x14	
105	1150 0373	Power Supply Code:125V 15A NA	

## 2.Exterior 2 (D434)

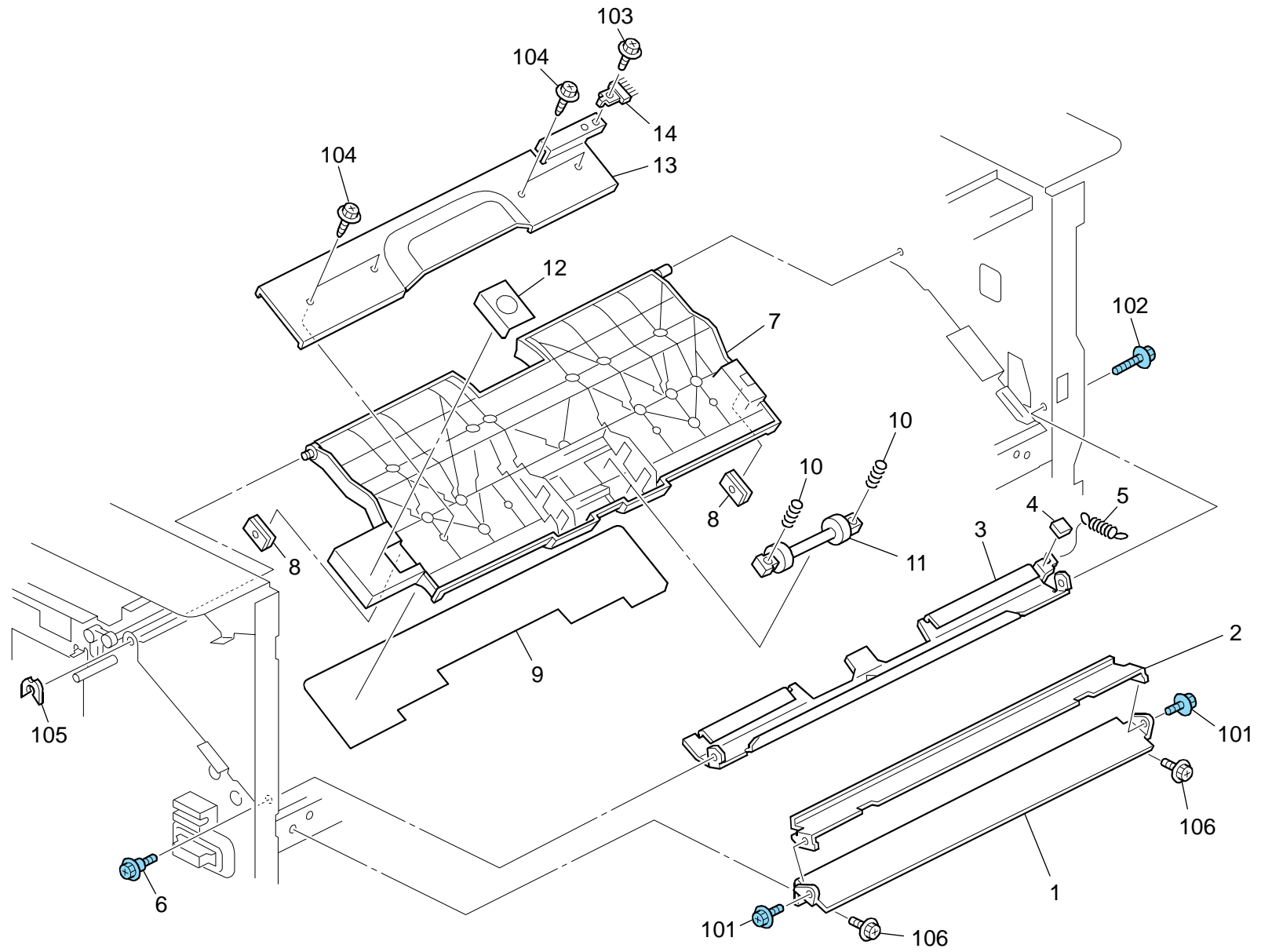


## 2.Exterior 2 (D434)

Index No.	Part No.	Description	Q'ty Per Assembly
1	D434 6410	Cover:Rear Upper	1
2	D434 6420	Cover:Rear Lower	1
3	D434 6627	Cover:Upper Rear	1
4	D434 6624	Cover:Proof Tray:Ass'y	1
5	D434 6622	Cover:Upper Front	1
6	D434 6613	Cover:Upper Front:Auxiliary	1
7	D434 6614	Cover:Upper Front:Left And Right:Auxiliary	2
8	B302 6414	Upper Cover Stay	1
9	D434 1381	Cover:Entrance:Lower	1
10	D434 5497	End Fence:Tray:Paper Crimp Sub-unit	1
11	D434 5495	Tray:Paper Crimp Sub-unit	1
12	D434 7505	Shift Tray:Ass'y	1
13	B706 3035	Guide:Micro Switch:Shift Tray	1
14	D434 6351	Cover:Left Upper	1
15	D434 5778	Harness:Connecting:Stop:Switch	1
16	B478 6264	Keytop:Printing	1
17	B706 5600	PCB:Switch:Stop	1
18	D447 7591	Cushion:Spacer:440mm	1

Index No.	Part No.	Description	Q'ty Per Assembly
101	0454 3008Q	Tapping Screw:3x8	
102	0454 3006Q	Tapping Screw - M3x6	
103	0451 3008N	Tapping Screw - M3x8	
104	0451 3006N	Tapping Screw - 3x6	
105	0450 3008N	Tapping Screw - M3x8	
106	0452 3008N	Tapping Screw - M3x8	

### 3.Paper Transfer:Entrance 1 (D434)



### 3.Paper Transfer:Entrance 1 (D434)

Index No.	Part No.	Description	Q'ty Per Assembly
1	B830 7511	Connecting Guide Plate - Lower	1
2	B830 7516	Guide Plate:Connecting:Upper	1
3	D434 2111	Guide Plate:Entrance:Upper	1
4	B700 2520	Cushion:Gate Pawl	1
5	D434 2115	Tension Spring:Entrance:2N	1
6	B830 1135	Screw	1
7	D434 2121	Guide Plate:Registration:Open And Close	1
8	AG07 0514	Magnet Catch	2
9	D434 2125	Seal:0.188mm:Guide Plate:Registration	1
10	AA06 3529	Pressure Spring - 14.5mm	4
11	AF02 2147	Driven Roller	2
12	D434 7700	Decal:Guide Plate:Registration: Open And Close	1
13	D434 2129	Supporting Plate:Guide Plate: Open And Close	1
14	AA12 0097	Antistatic Brush	1

Index No.	Part No.	Description	Q'ty Per Assembly
101	0454 3006Q	Tapping Screw - M3x6	
102	0454 3012Q	Tapping Screw:3x12	
103	0451 3006N	Tapping Screw - 3x6	
104	0450 3008N	Tapping Screw - M3x8	
105	0805 0089	Retaining Ring - M4	
106	0451 3008N	Tapping Screw - M3x8	



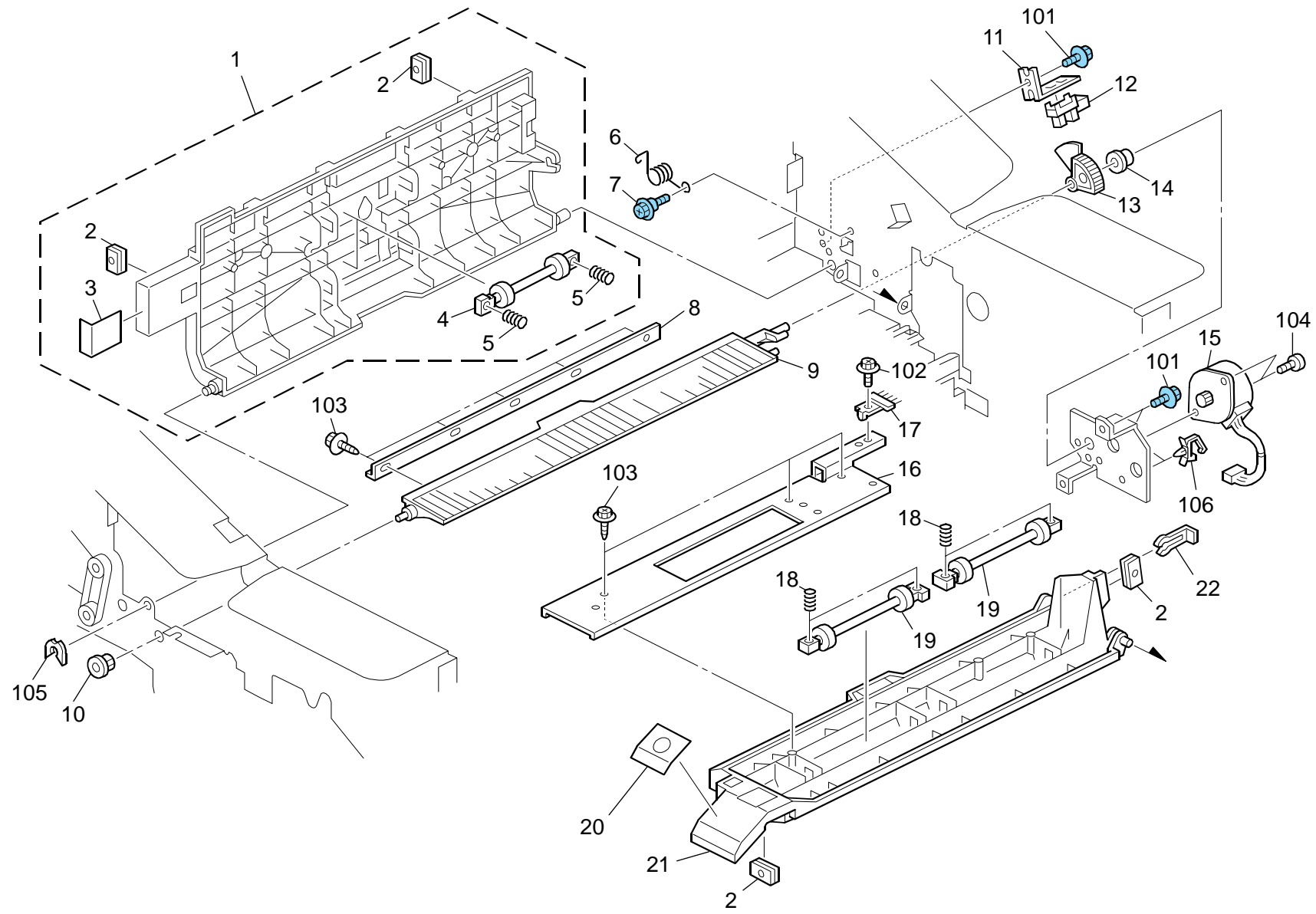


#### 4.Paper Transfer:Entrance 2 (D434)

Index No.	Part No.	Description	Q'ty Per Assembly
1	D434 2211	Guide Plate:Horizontal:Ass'y	1
2	D434 2251	Arm:Pressure:Driven Roller	2
3	D434 2240	Driven Roller:Registration:Ass'y	1
4	D434 2266	Bushing:Driven Roller:Registration	2
5	B700 2476	Compression Spring:Exit:Driven	2
6	D434 2261	Holder:Driven Roller:Registration	2
7	D434 2221	Transport Roller:Registration:Drive	1
8	D434 2131	Guide Plate:Entrance:Lower:Ass'y	1
9	D434 2136	Discharge Brush:Exit	1
10	B700 2145	Bracket:Entrance Sensor	1
11	GW01 0007	Photo Reflection Sensor:Exit	1
12	D434 2141	Transport Roller:380mm:Entrance	2
13	B830 5562	Stepper Motor DC1.56V 3.7W	1
14	D434 4790	Tension Spring:10.5N	1
15	D434 4736	Timing Belt:60S3M192	1
16	B352 1607	Timing Pulley - T20-S3M	3

Index No.	Part No.	Description	Q'ty Per Assembly
101	0454 3006Q	Tapping Screw - M3x6	
102	0451 3008N	Tapping Screw - M3x8	
103	0451 4006N	Tapping Screw - 4x6	
104	0720 0040E	Retaining Ring - M4	
105	0741 3506	Ball Bearing - 6x12x4 mm	
106	1105 0516	Clamp	
107	1105 0522	Edge Saddle - LES0510	

# 5.Paper Transfer:Proof Tray 1 (D434)

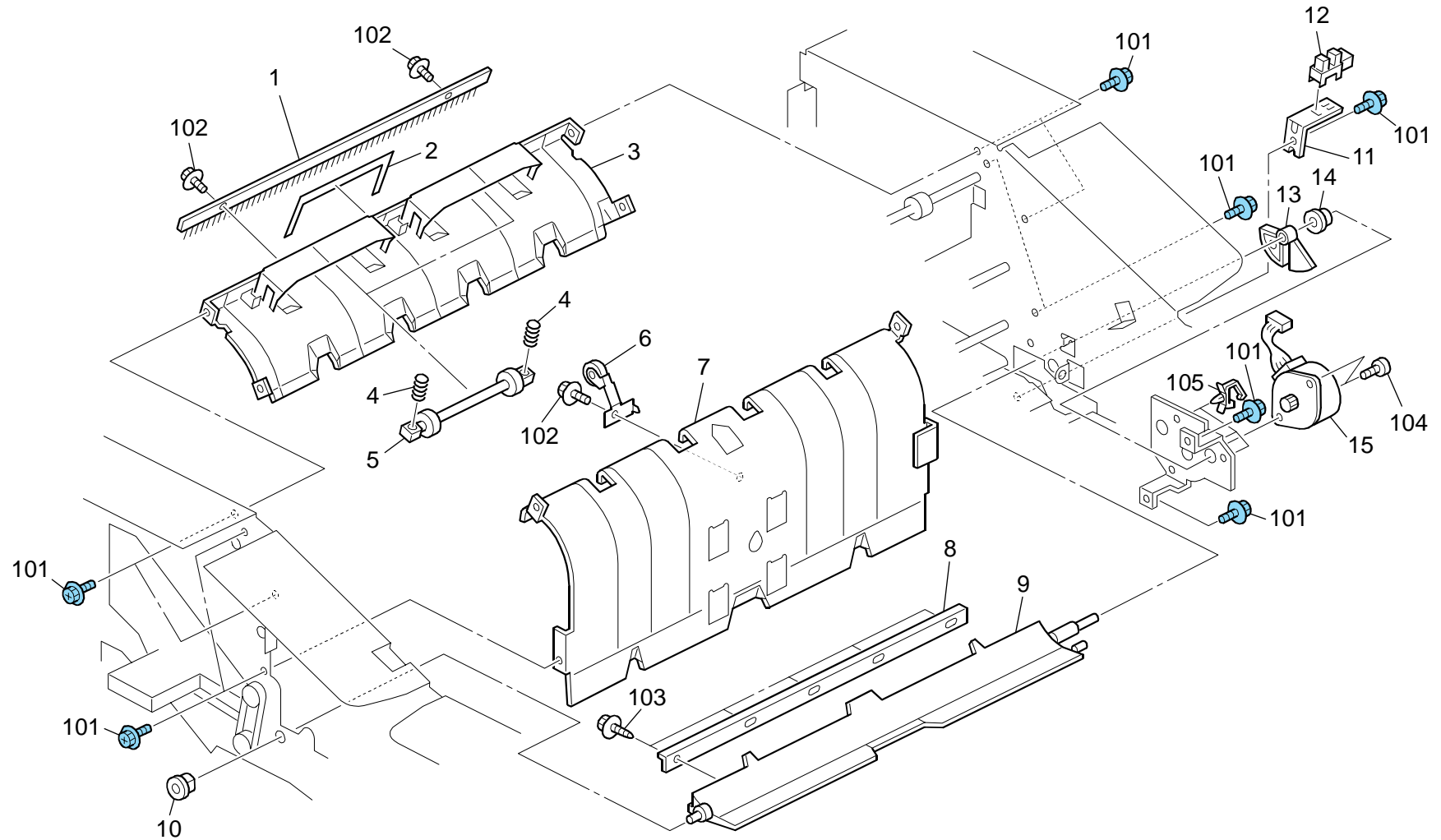


## 5.Paper Transfer:Proof Tray 1 (D434)

Index No.	Part No.	Description	Q'ty Per Assembly
1	D434 2531	Guide Plate:Proof Tray:Open And Close: Sub-ass'y	1
2	AG07 0514	Magnet Catch	4
3	D434 7715	Decal:Guide Plate:Proof Tray: Open And Close:RB4	1
4	AF02 2147	Driven Roller	2
5	D434 2437	Compression Spring:2.5N	4
6	D434 2535	Torsion Spring:Proof Tray	1
7	B830 1135	Screw	1
8	B302 2513	Support Plate - Exit Gate	1
9	D434 2331	Gate Pawl:Staple	1
10	A259 6590	Bushing	1
11	B830 2522	Sensor Bracket	1
12	AW02 0156	Photointerruptor:EE-SX4235A-P2	1
13	B830 2519	Gear - 91Z	1
14	AA08 0072	Bushing - 6x10x3	1
15	B700 5804	Stepper Motor:DIA42:Z17:Ass'y	1
16	D434 2127	Supporting Plate:Guide Plate: Open And Close	1
17	AA12 0097	Antistatic Brush	1
18	D434 2327	Compression Spring:1.5N	4
19	AF02 2148	Roller:Driven:L=125	2
20	D434 7710	Decal:Guide Plate:Gate: Open And Close:RB3	1
21	D434 2326	Guide Plate:Gate:Upper:Open And Close	1
22	C101 2360	Snap Ring	1

Index No.	Part No.	Description	Q'ty Per Assembly
101	0454 3006Q	Tapping Screw - M3x6	
102	0451 3006N	Tapping Screw - 3x6	
103	0450 3008N	Tapping Screw - M3x8	
104	0453 3006N	Tapping Screw - M3x6	
105	0805 0089	Retaining Ring - M4	
106	1105 0623	Clamp - LBWS-0206S-V0	

## 6.Paper Transfer:Proof Tray 2 (D434)

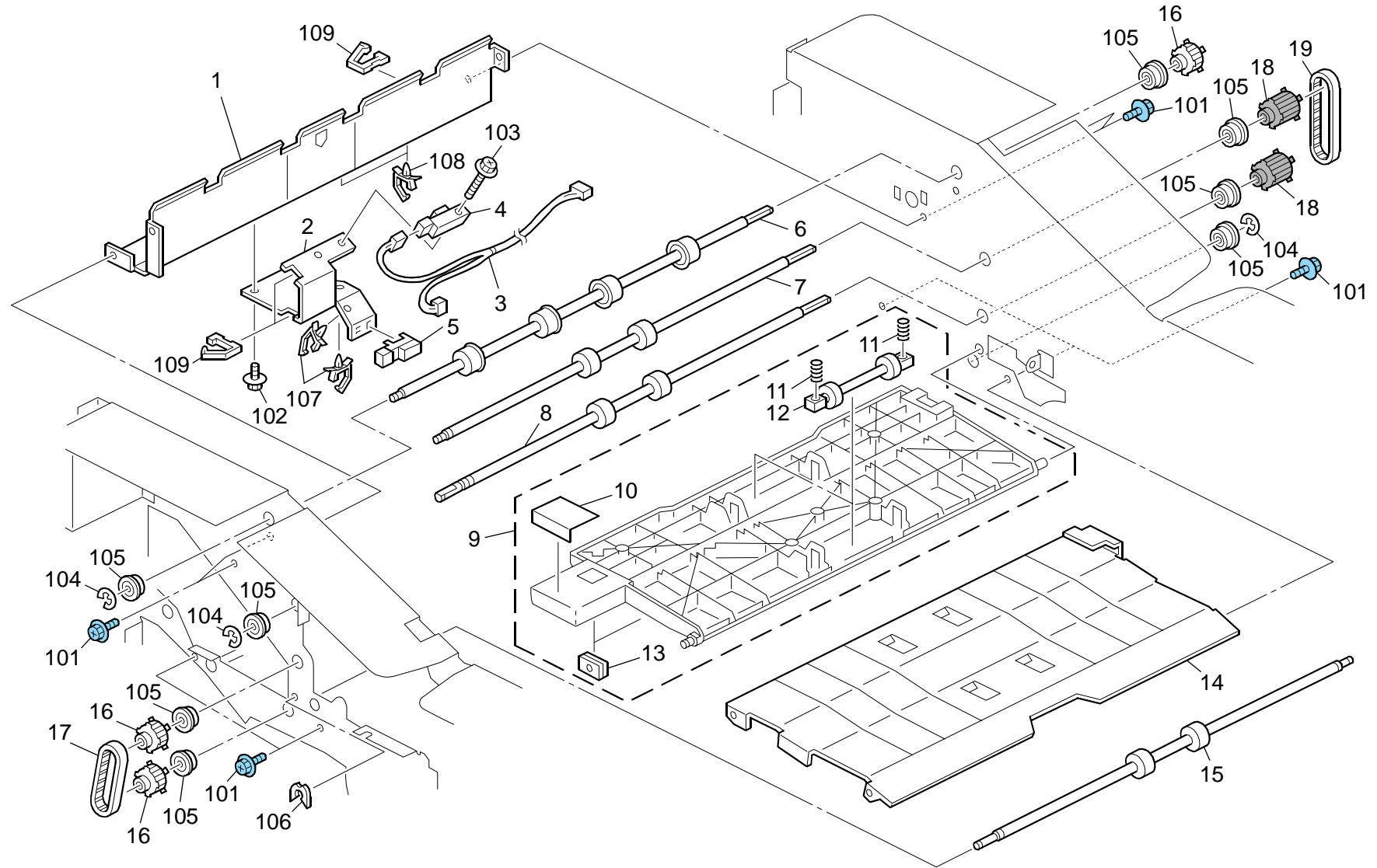


## 6.Paper Transfer:Proof Tray 2 (D434)

Index No.	Part No.	Description	Q'ty Per Assembly
1	B700 2317	Discharge Brush	1
2	B302 2216	Exit Guide - Upper Exit Guide	1
3	D434 2553	Guide Plate:Exit:Proof Tray	1
4	AA06 3529	Pressure Spring - 14.5mm	4
5	AF02 2148	Roller:Driven:L=125	2
6	B478 2231	Roller:Exit:Auxiliary:Ass'y	1
7	D434 2541	Guide Plate:Proof Tray:Lengthwise	1
8	B302 2513	Support Plate - Exit Gate	1
9	D434 2341	Gate Pawl:Proof Tray	1
10	A259 6590	Bushing	1
11	B830 2522	Sensor Bracket	1
12	AW02 0156	Photointerruptor:EE-SX4235A-P2	1
13	B830 2519	Gear - 91Z	1
14	AA08 0072	Bushing - 6x10x3	1
15	B700 5804	Stepper Motor:DIA42:Z17:Ass'y	1

Index No.	Part No.	Description	Q'ty Per Assembly
101	0454 3006Q	Tapping Screw - M3x6	
102	0451 3006N	Tapping Screw - 3x6	
103	0450 3008N	Tapping Screw - M3x8	
104	0453 3006N	Tapping Screw - M3x6	
105	1105 0623	Clamp - LBWS-0206S-V0	

## 7.Paper Transfer:Proof Tray 3 (D434)



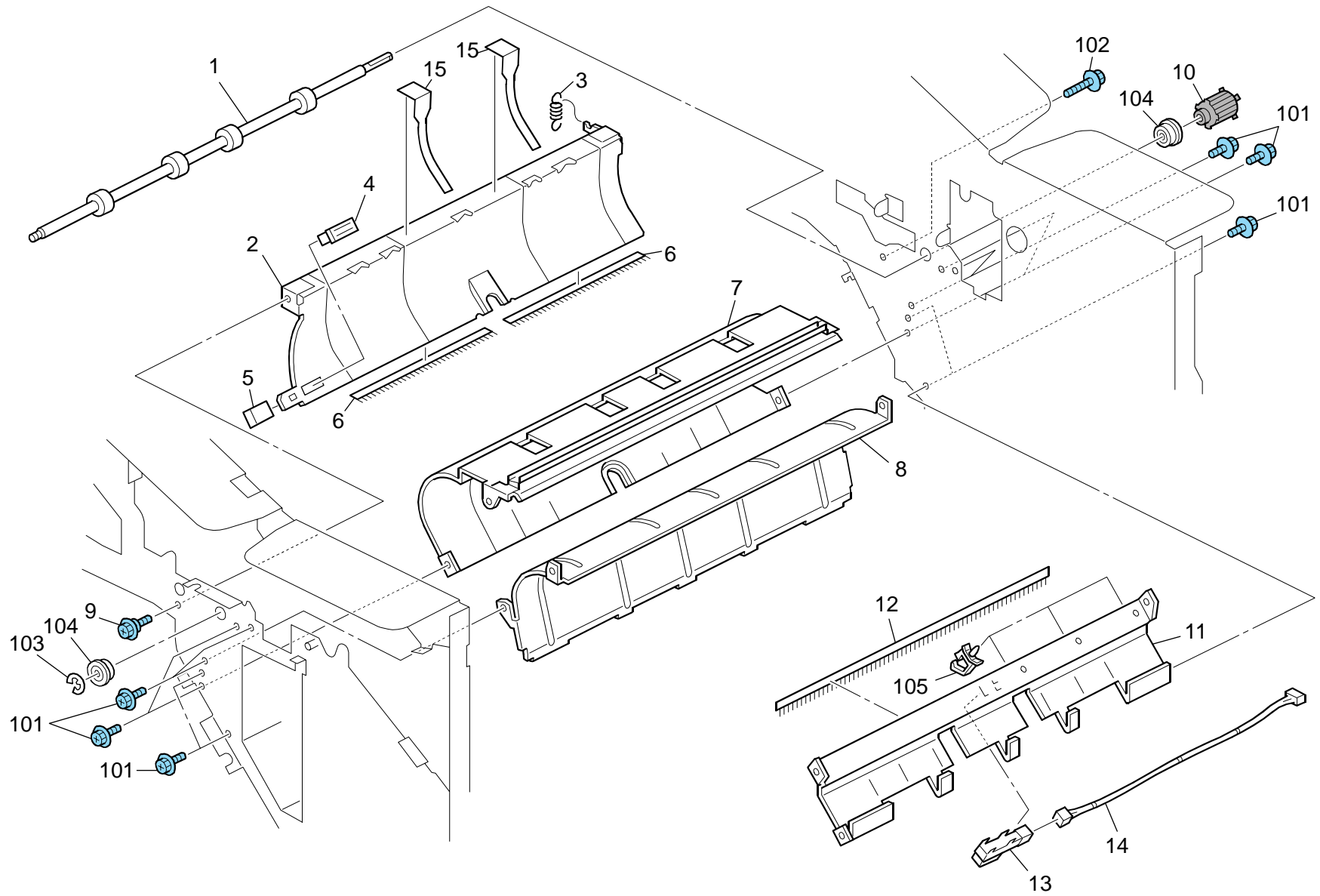
## 7.Paper Transfer:Proof Tray 3 (D434)

Index No.	Part No.	Description	Q'ty Per Assembly
1	D434 2562	End Plate:Exit:Proof Tray	1
2	D434 2561	Bracket:Paper Feed Sensor:Proof Tray	1
3	D434 5770	Harness:Connecting:Proof Tray:Sensor	1
4	AW01 0091	Photo Reflection Sensor	1
5	GW01 0007	Photo Reflection Sensor:Exit	1
6	D434 2571	Exit Roller:Proof Tray	1
7	D434 2521	Transport Roller:Proof Tray:Drive:Rear	1
8	D434 2511	Transport Roller:Proof Tray:Drive	1
9	D434 2431	Guide Plate:Shift Tray:Open And Close: Sub-ass'y	1
10	D434 7720	Decal:Guide Plate:Shift Tray: Open And Close:RB5	1
11	D434 2437	Compression Spring:2.5N	4
12	AF02 2147	Driven Roller	2
13	AG07 0514	Magnet Catch	2
14	D434 2433	Guide Plate:Shift Tray:Lower:Fix	1
15	D434 2141	Transport Roller:380mm:Entrance	1
16	B352 1607	Timing Pulley - T20-S3M	3
17	B830 2142	Timing Belt - 60S3M162	1
18	B700 1645	Timing Pulley:20T	2
19	B830 1533	Timing Belt - 60S3M171	1

Index No.	Part No.	Description	Q'ty Per Assembly
101	0454 3006Q	Tapping Screw - M3x6	
102	0451 3006N	Tapping Screw - 3x6	
103	0451 3014N	Tapping Screw:3x14	
104	0720 0040E	Retaining Ring - M4	
105	0741 3506	Ball Bearing - 6x12x4 mm	
106	0805 0089	Retaining Ring - M4	
107	1105 0623	Clamp - LBWS-0206S-V0	
108	1105 0717	Clamp:JDW-1S	
109	1105 0522	Edge Saddle - LES0510	



## 8.Paper Transfer:Staple 1 (D434)

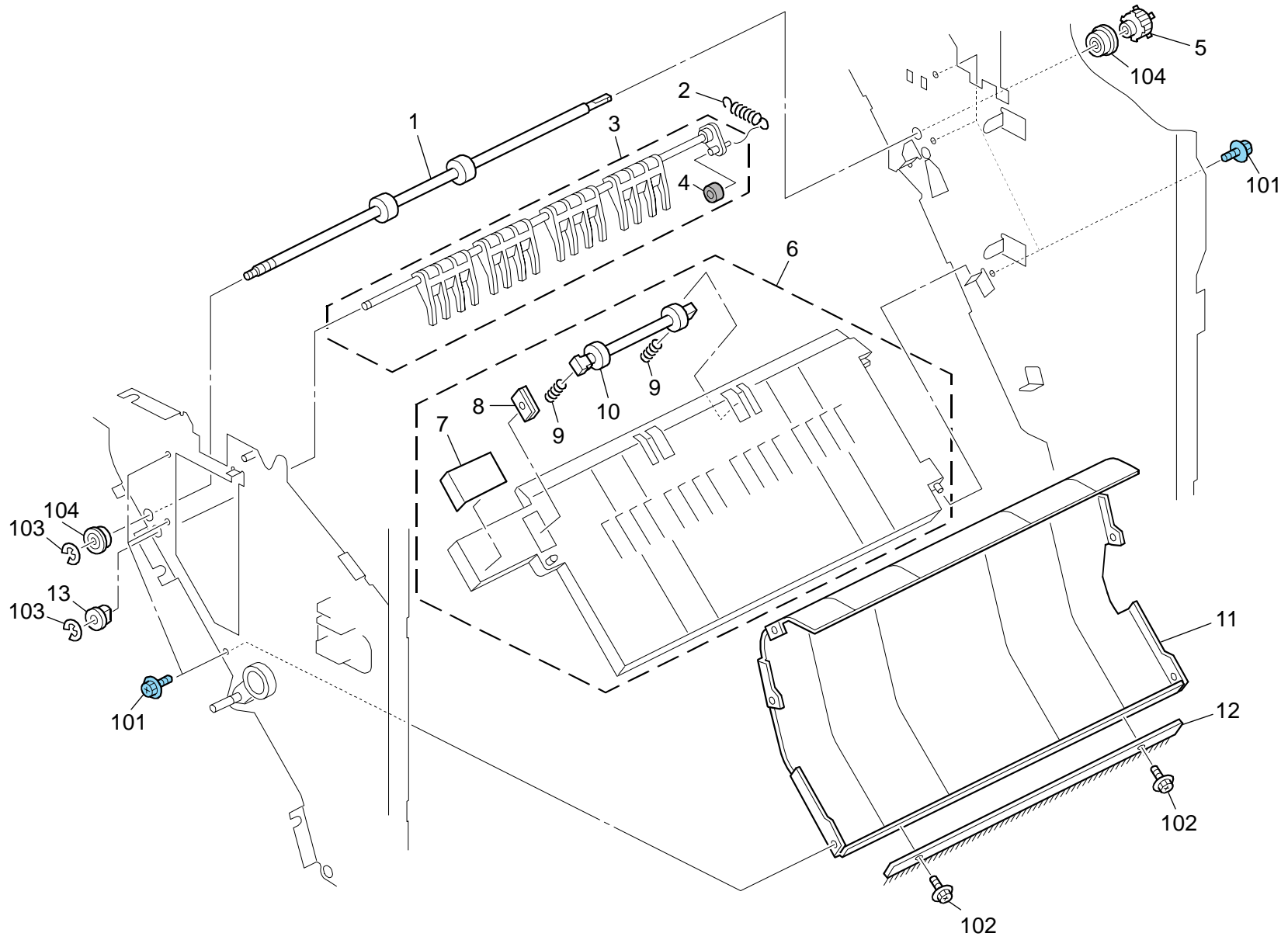


## 8.Paper Transfer:Staple 1 (D434)

Index No.	Part No.	Description	Q'ty Per Assembly
1	D434 2741	Transport Roller:Pre Stack:Lower	1
2	D434 2611	Guide Plate:Turn:Upper:Open And Close	1
3	D434 2615	Tension Spring:Turn:6.3N	1
4	AG07 0513	Magnet Catch	1
5	B793 2154	Release Knob	1
6	D434 2613	Discharge Brush:Turn	2
7	D434 2311	Guide Plate:Gate:Front:Ass'y	1
8	D434 2641	Guide Plate:Duplex Stack:Upper	1
9	B830 1135	Screw	1
10	B700 1645	Timing Pulley:20T	1
11	D434 2621	Guide Plate:Turn:Rear	1
12	D434 2625	Discharge Brush:Turn:Rear	1
13	GW01 0007	Photo Reflection Sensor:Exit	1
14	D434 5776	Harness:Connecting:Pre:Sensor	1
15	D434 2612	Mylar:Guide Plate:Turn	2

Index No.	Part No.	Description	Q'ty Per Assembly
101	0454 3006Q	Tapping Screw - M3x6	
102	0454 3012Q	Tapping Screw:3x12	
103	0720 0040E	Retaining Ring - M4	
104	0741 3506	Ball Bearing - 6x12x4 mm	
105	1105 0623	Clamp - LBWS-0206S-V0	

## 9.Paper Transfer:Staple 2 (D434)

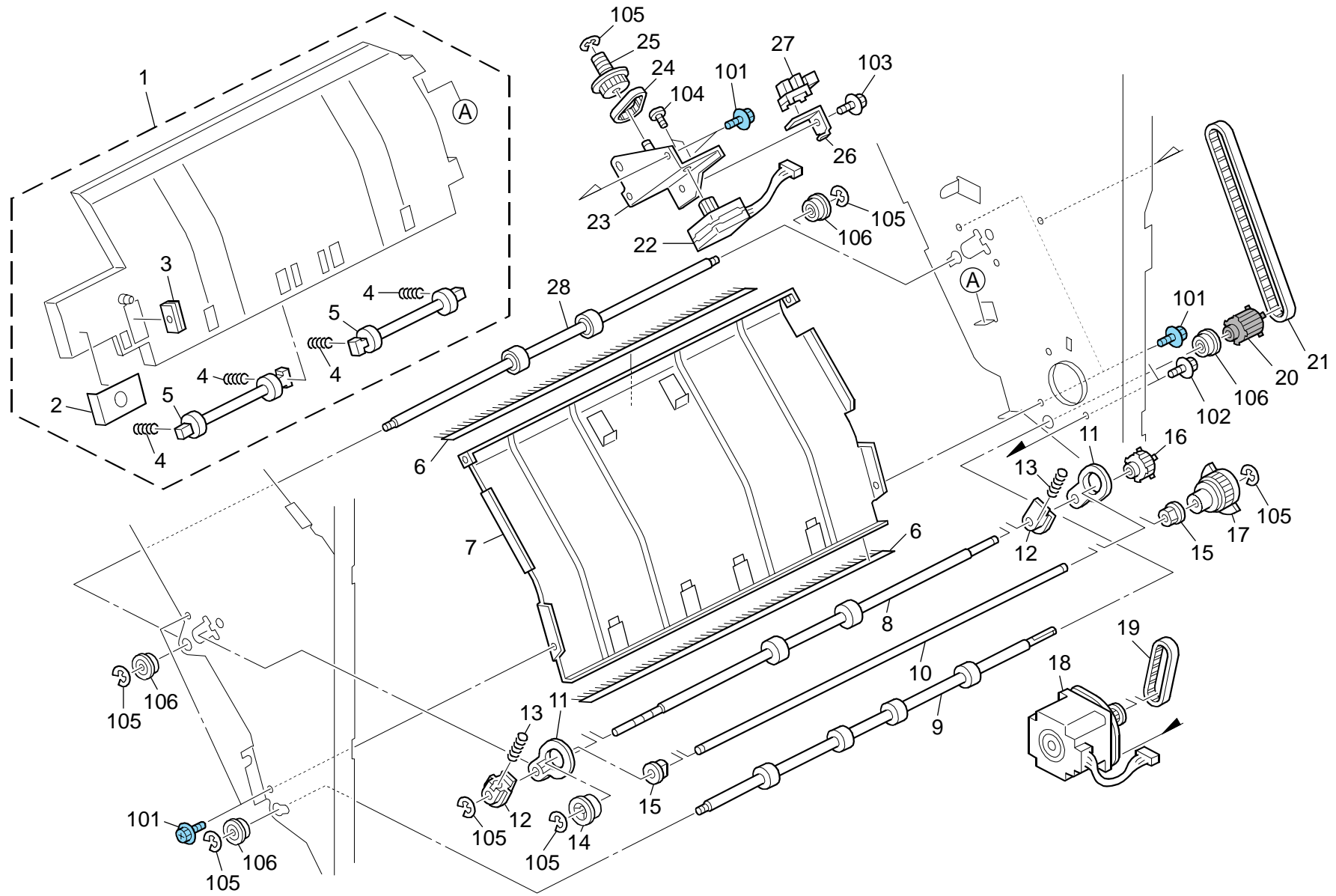


## 9.Paper Transfer:Staple 2 (D434)

Index No.	Part No.	Description	Q'ty Per Assembly
1	D434 2711	Transport Roller:Turn	1
2	D434 2635	Tension Spring:Polarization Powl:Pressure	1
3	D434 2630	Polarization Powl:Pre Stack	1
4	A458 2251	Cushion - Bin Solenoid Lever	1
5	B352 1607	Timing Pulley - T20-S3M	1
6	D434 2606	Guide Plate:Lengthwise Upper: Open And Close:Ass'y	1
7	D434 7725	Decal:Guide Plate:Lengthwise Upper: Open And Close:RB6	1
8	AG07 0514	Magnet Catch	1
9	D434 2665	Compression Spring:6N	2
10	AF02 2148	Roller:Driven:L=125	1
11	D434 2651	Guide Plate:Duplex Stack:Lower	1
12	B700 2317	Discharge Brush	1
13	AA08 2101	Bushing - 6x10x6	1

Index No.	Part No.	Description	Q'ty Per Assembly
101	0454 3006Q	Tapping Screw - M3x6	
102	0451 3006N	Tapping Screw - 3x6	
103	0720 0040E	Retaining Ring - M4	
104	0741 3506	Ball Bearing - 6x12x4 mm	

# 10.Paper Transfer:Staple 3 (D434)

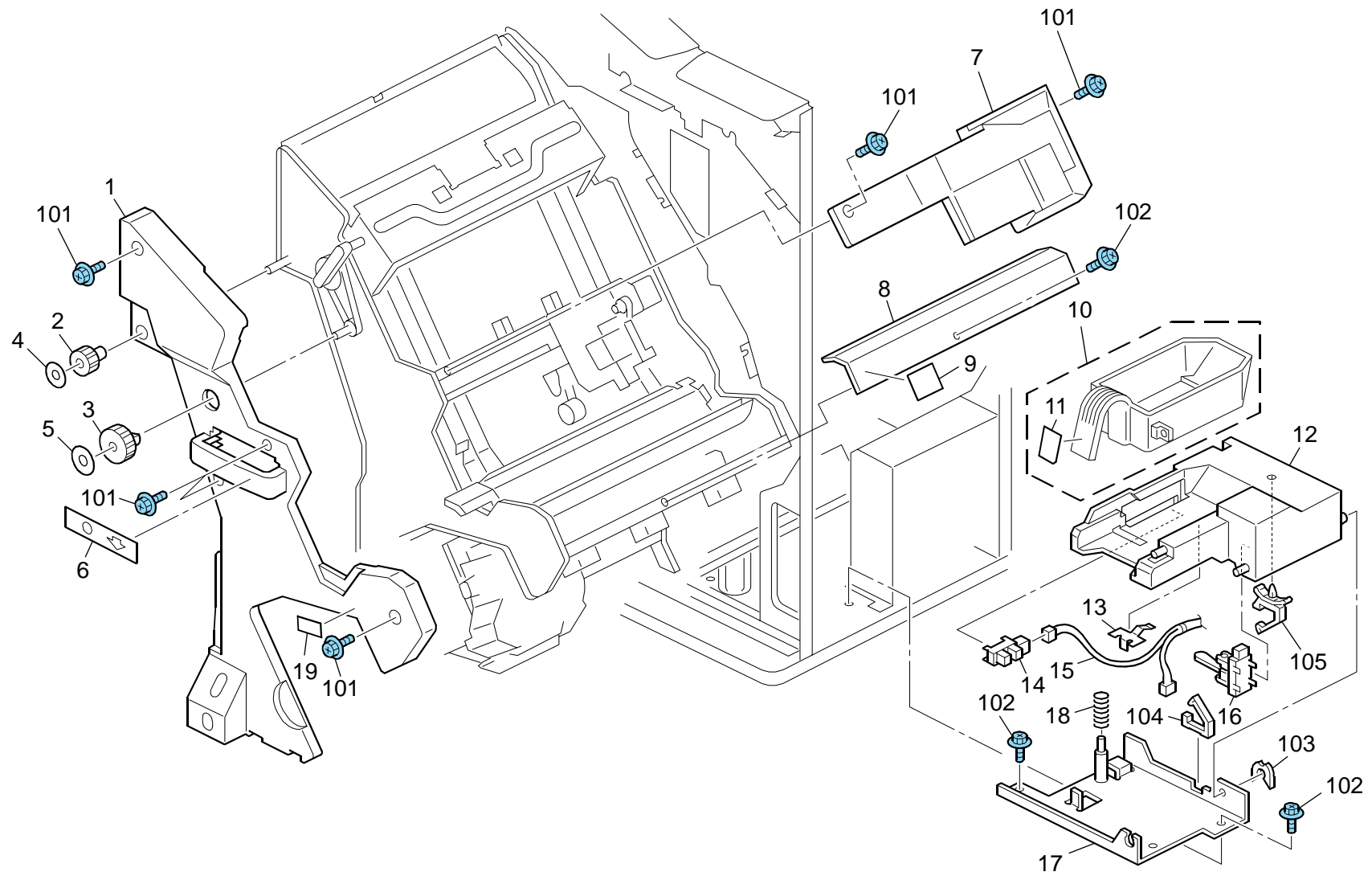


### 10.Paper Transfer:Staple 3 (D434)

Index No.	Part No.	Description	Q'ty Per Assembly
1	D434 2607	Guide Plate:Lengthwise Lower: Open And Close:Ass'y	1
2	D434 7730	Decal:Guide Plate:Lengthwise Lower: Open And Close:RB7	1
3	AG07 0514	Magnet Catch	1
4	D434 2665	Compression Spring:6N	4
5	AF02 2148	Roller:Driven:L=125	2
6	B802 3756	Discharge Brush:Exit	2
7	D434 2681	Guide Plate:Lengthwise:Ass'y	1
8	D434 2731	Transport Roller:Duplex Stack:Upper	1
9	D434 2741	Transport Roller:Pre Stack:Lower	1
10	D434 1958	Shaft:Pressure Release	1
11	D434 2739	Link:Pressure Release	2
12	D434 2733	Arm:Pressure:Transport Roller	2
13	D434 2735	Compression Spring:8n	2
14	D434 1956	Cam:Eccentric:Front	1
15	AA08 2101	Bushing - 6x10x6	2
16	B352 1607	Timing Pulley - T20-S3M	1
17	D434 1957	Cam:Eccentric:Rear	1
18	B830 5562	Stepper Motor DC1.56V 3.7W	1
19	B830 1533	Timing Belt - 60S3M171	1
20	B700 1645	Timing Pulley:20T	1
21	D434 1911	Timing Belt:60S3M402	1
22	B700 5811	Stepper Motor:DC 25W	1
23	D434 1952	Bracket:Worm Gear:Pressure Release:Ass'y	1
24	B700 3535	Timing Belt:B40S2M116	1
25	B700 3115	Worm Gear:37T	1
26	B478 3568	Bracket:Home Position Sensor	1
27	AW02 0156	Photointerruptor:EE-SX4235A-P2	1
28	D434 2721	Driven Roller:Duplex Stack:Upper	1

Index No.	Part No.	Description	Q'ty Per Assembly
101	0454 3006Q	Tapping Screw - M3x6	
102	0451 4006N	Tapping Screw - 4x6	
103	0451 3006N	Tapping Screw - 3x6	
104	0353 0040N	Screw - M3x4	
105	0720 0040E	Retaining Ring - M4	
106	0741 3506	Ball Bearing - 6x12x4 mm	

# 11. Staple Unit 1 (D434)



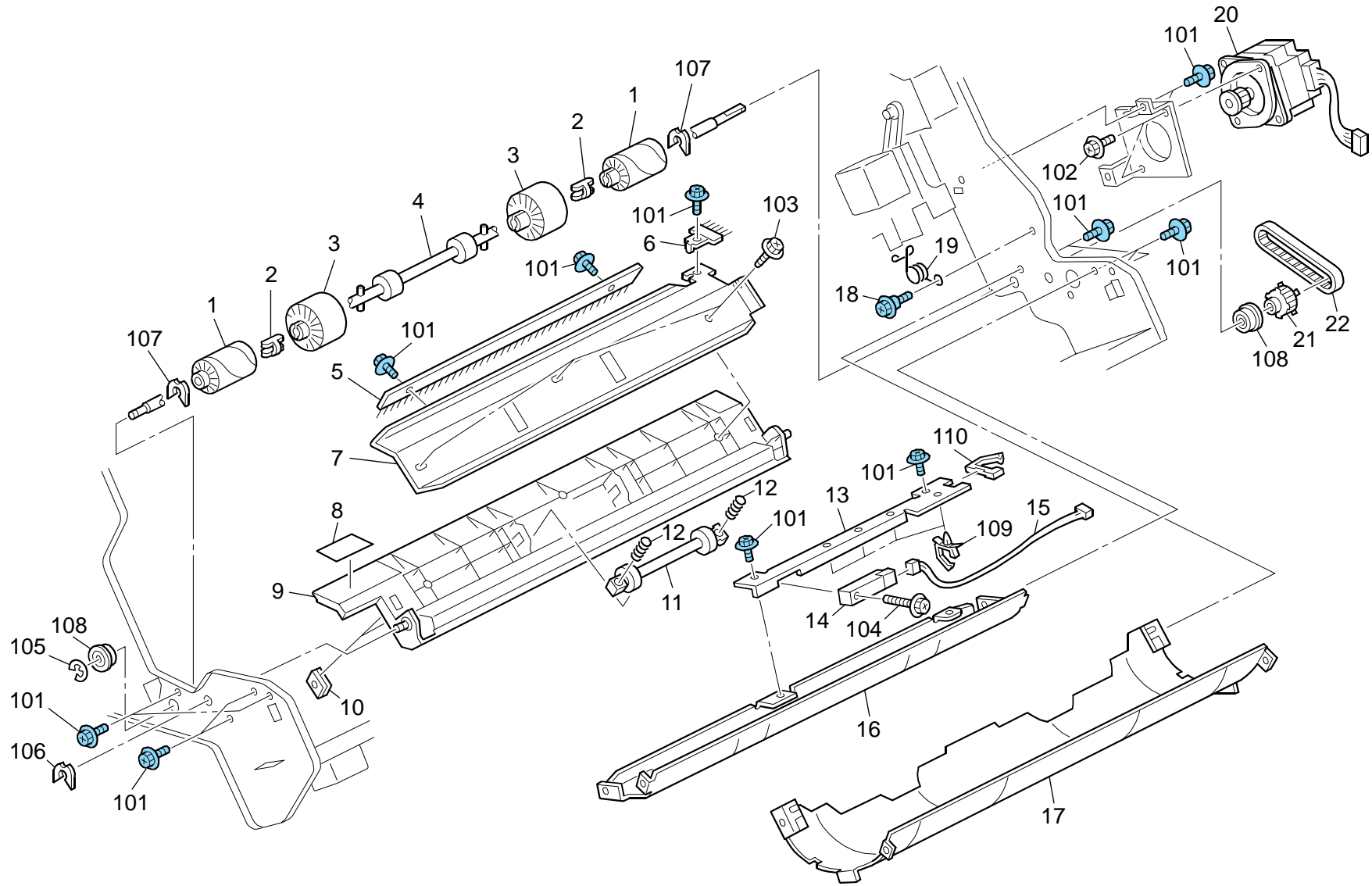
### 11.Staple Unit 1 (D434)

Index No.	Part No.	Description	Q'ty Per Assembly
1	D434 4191	Inner Cover:Stapler Tray Unit	1
2	B408 2281	Knob - Transfer Roller	1
3	D434 4803	Grip:Pressure Sub-unit:Open And Close	1
4	D434 7775	Decal:Knob:Vertical Transport:RB16	1
5	D434 7765	Decal:Open And Close:RB14	1
6	D434 7755	Decal:Stapler Unit:Pull Out:RB12	1
7	D434 4641	Inner Cover:Positioning Roller Unit	1
8	D434 4691	Inner Cover:Swing Unit	1
9	D434 7830	Decal:H-temp Warning:Motor: Trailing Edge:Plate	1
10	B830 7010	Toner Hopper	1
11	B830 7712	Decal - Toner Hopper Staple	1
12	B830 1194	Toner Hopper Holder	1
13	B830 1195	Spring Plate	1
14	AW02 0156	Photointerruptor:EE-SX4235A-P2	1
15	D434 5780	Harness:Main:Staple Sensor	1
16	AW02 0182	Photointerruptor	1
17	D434 1431	Base:Holder:Hopper	1
18	D434 1436	Compression Spring:Holder:Hopper	1
19	D434 7795	Decal:Stapler:S1	1

Index No.	Part No.	Description	Q'ty Per Assembly
101	0454 3008Q	Tapping Screw:3x8	
102	0454 3006Q	Tapping Screw - M3x6	
103	0805 0089	Retaining Ring - M4	
104	1105 0522	Edge Saddle - LES0510	
105	1105 0623	Clamp - LBWS-0206S-V0	



## 12. Staple Unit 2 (D434)

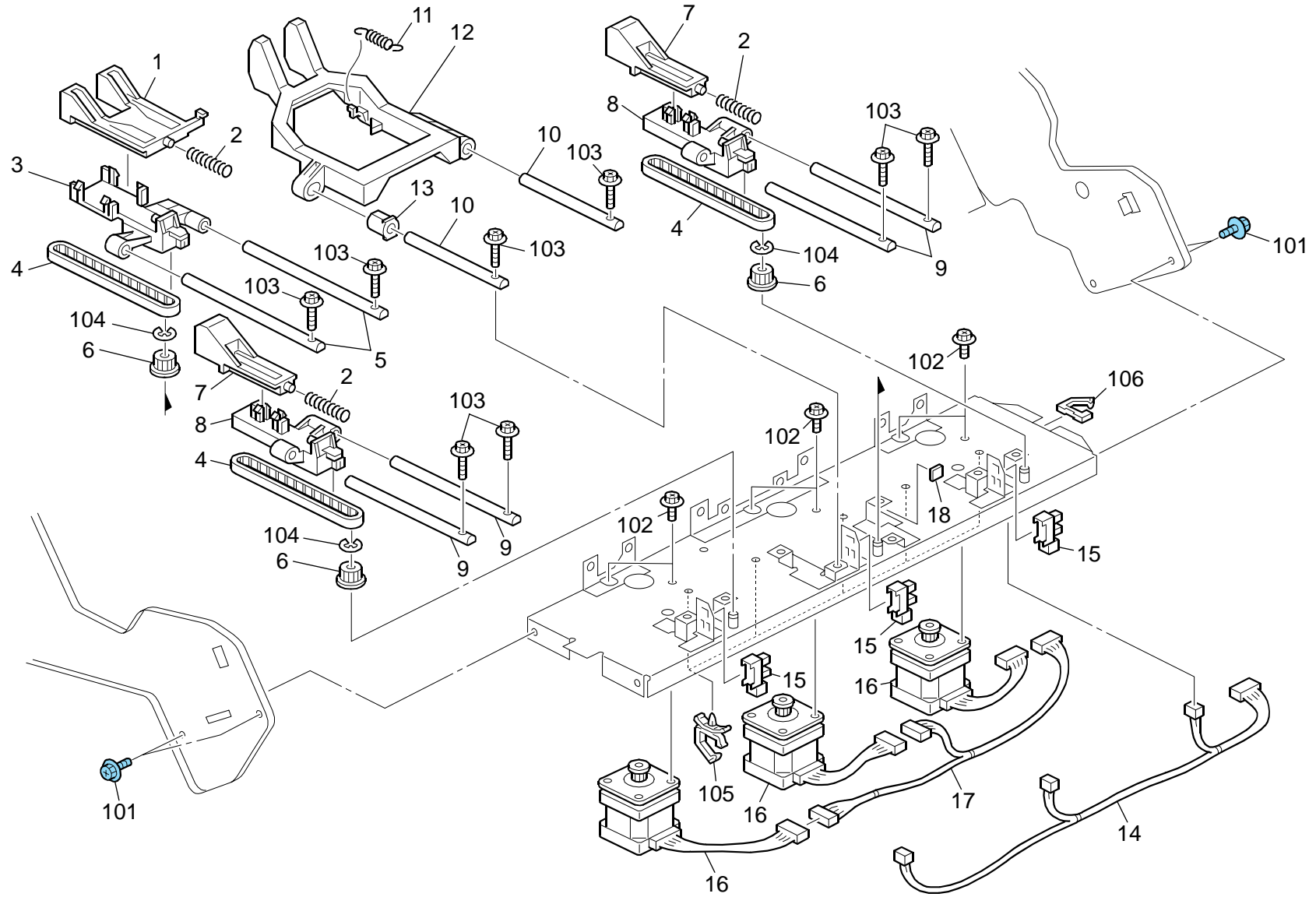


## 12.Staple Unit 2 (D434)

Index No.	Part No.	Description	Q'ty Per Assembly
1	B302 2413	Brush Roller	2
2	A697 2132	Joint - Brush Roller	2
3	A697 2138	Brush Roller	2
4	D434 4181	Exit Roller:Lower:Sub-ass'y	1
5	B700 2317	Discharge Brush	1
6	AA12 0097	Antistatic Brush	1
7	D434 4171	Stay:Guide Plate:Exit:Staple	1
8	D434 7760	Decal:Guide Plate:Staple: Open And Close:RB13	1
9	D434 4166	Guide Plate:Exit:Staple	1
10	AG07 0514	Magnet Catch	2
11	AF02 2148	Roller:Driven:L=125	1
12	D434 2665	Compression Spring:6N	2
13	D434 4162	Bracket:Paper Feed Sensor:Stapler Tray	1
14	AW01 0109	Photo Reflection Sensor:PS117ED1	1
15	D434 5794	Harness:Interface:Entrance Sensor	1
16	D434 4157	Guide Plate:Connecting	1
17	D434 4151	Guide Plate:Exit:Lower:Stapler Tray	1
18	B830 1135	Screw	1
19	D434 4172	Torsion Spring:Staple:Exit	1
20	B830 5562	Stepper Motor DC1.56V 3.7W	1
21	B352 1607	Timing Pulley - T20-S3M	1
22	B830 4884	Timing Belt - 60S3M204	1

Index No.	Part No.	Description	Q'ty Per Assembly
101	0454 3006Q	Tapping Screw - M3x6	
102	0451 4006N	Tapping Screw - 4x6	
103	0450 3008N	Tapping Screw - M3x8	
104	0451 3014N	Tapping Screw:3x14	
105	0720 0040E	Retaining Ring - M4	
106	0805 0089	Retaining Ring - M4	
107	0805 0088	Retaining Ring - M6	
108	0741 3506	Ball Bearing - 6x12x4 mm	
109	1105 0623	Clamp - LBWS-0206S-V0	
110	1105 0522	Edge Saddle - LES0510	

### 13. Staple Unit 3 (D434)

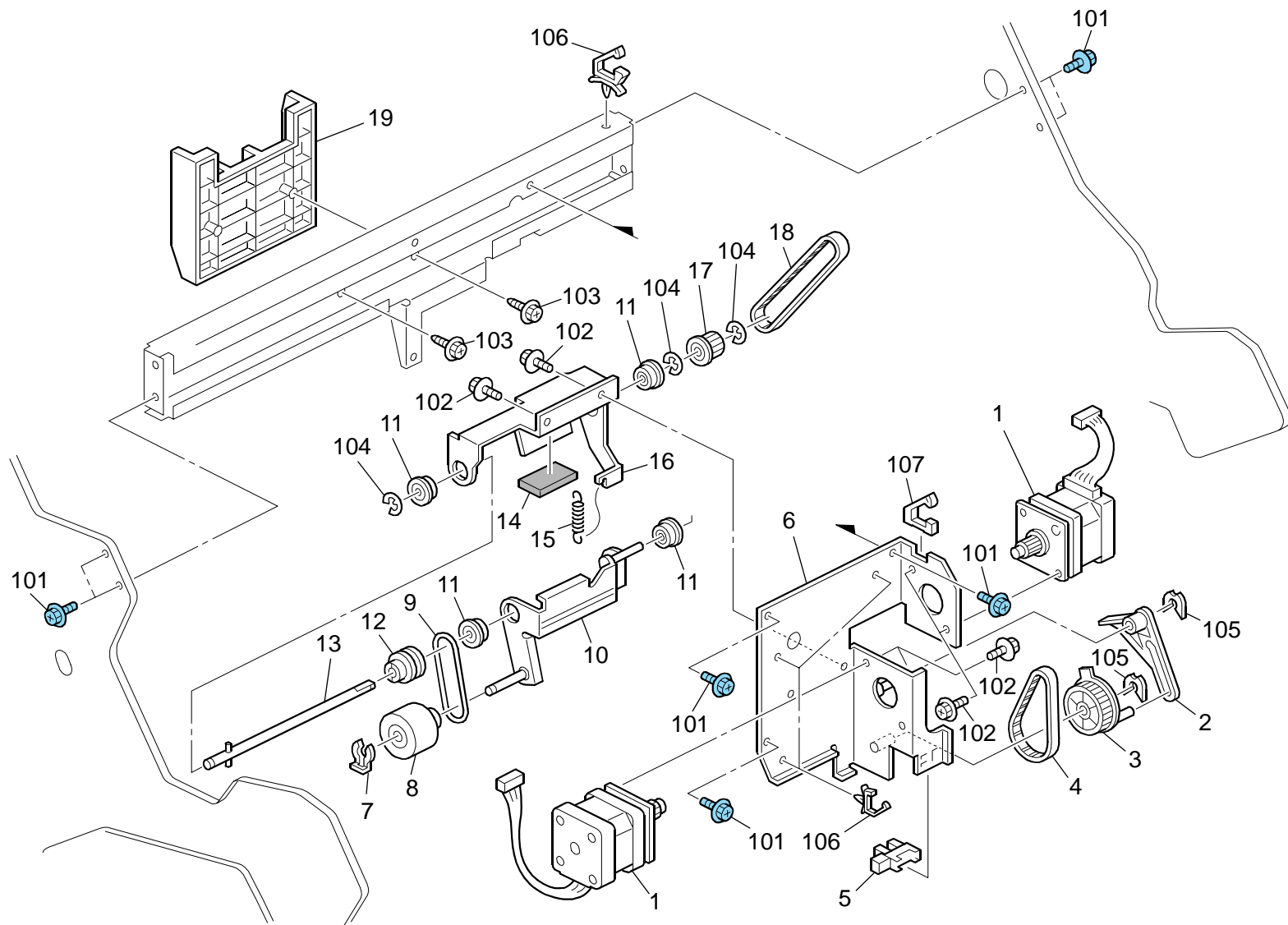


### 13.Staple Unit 3 (D434)

Index No.	Part No.	Description	Q'ty Per Assembly
1	D434 4662	Vibrating Plate:Middle:Lower	1
2	B830 4125	Compression Spring	3
3	D434 4663	Slider:Vibrating Plate:Middle	1
4	AA04 3962	Timing Belt - B40S2M214	3
5	D434 4656	Shaft:Vibrating Plate:Middle:Lower	2
6	B478 4135	Timing Pulley:18T	3
7	D434 4671	Vibrating Plate:Both Ends	2
8	B478 4132	Slider:Vibrating Plate	2
9	D434 4653	Shaft:Vibrating Plate:Both Ends	4
10	D434 4655	Shaft:Vibrating Plate:Middle:Upper	2
11	B830 4126	Tension Spring	1
12	D434 4660	Vibrating Plate:Middle:Upper:Ass'y	1
13	B302 4113	Bushing - 6x9mm	1
14	D434 5795	Harness:Interface:Home Position Sensor	1
15	AW02 0156	Photointerruptor:EE-SX4235A-P2	3
16	B830 5573	Stepper Motor DC2.24V 3.5W	3
17	D434 5764	Harness:Interface:Motor	1
18	B872 2515	Cushion:Bracket:Feed	1

Index No.	Part No.	Description	Q'ty Per Assembly
101	0454 3006Q	Tapping Screw - M3x6	
102	0451 3006N	Tapping Screw - 3x6	
103	0451 3008N	Tapping Screw - M3x8	
104	0720 0040E	Retaining Ring - M4	
105	1105 0516	Clamp	
106	1105 0518	Edge Saddle - LES-1010	

# 14. Staple Unit 4 (D434)

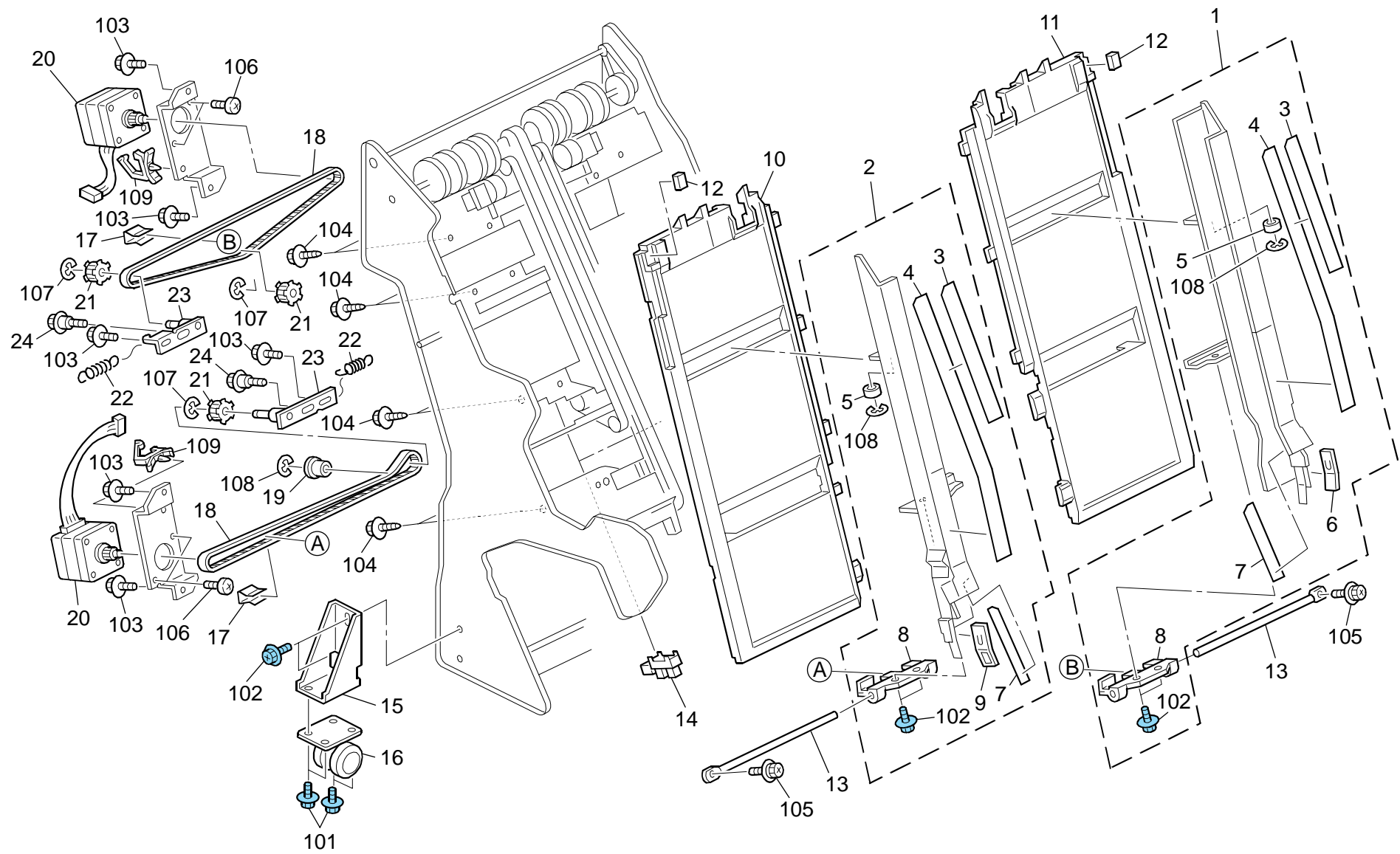


### 14.Staple Unit 4 (D434)

Index No.	Part No.	Description	Q'ty Per Assembly
1	B830 5567	Stepper Motor DC2.52V 4.5W	2
2	B830 2131	Gathering Roller Lever	1
3	B830 2132	Cam - Gathering Roller Lever	1
4	B830 2142	Timing Belt - 60S3M162	1
5	AW02 0156	Photointerruptor:EE-SX4235A-P2	1
6	D434 4612	Bracket:Positioning Roller:Drive	1
7	5447 2681	Snap Ring	1
8	B478 2116	Reverse Roller - Stapler Tray	1
9	5919 2132	Positioning Roller Belt	1
10	D434 4622	Arm:Positioning Roller:Ass'y	1
11	A859 2230	Ball Bearing - 6x13x5	4
12	5919 2127	Positioning Roller Pulley	1
13	D434 4625	Shaft:Positioning Roller:Drive	1
14	B830 2126	Lever Cushion	1
15	B830 2116	Tension Spring	1
16	D434 4621	Bracket:Positioning Roller	1
17	A697 2260	Pulley - 17T	1
18	B830 2141	Timing Belt - 60S3M237	1
19	D434 4606	Guide:Leading Edge:Fix	1

Index No.	Part No.	Description	Q'ty Per Assembly
101	0454 3006Q	Tapping Screw - M3x6	
102	0451 3006N	Tapping Screw - 3x6	
103	0450 3008N	Tapping Screw - M3x8	
104	0720 0040E	Retaining Ring - M4	
105	0805 0089	Retaining Ring - M4	
106	1105 0516	Clamp	
107	1105 0522	Edge Saddle - LES0510	

# 15. Staple Unit 5 (D434)



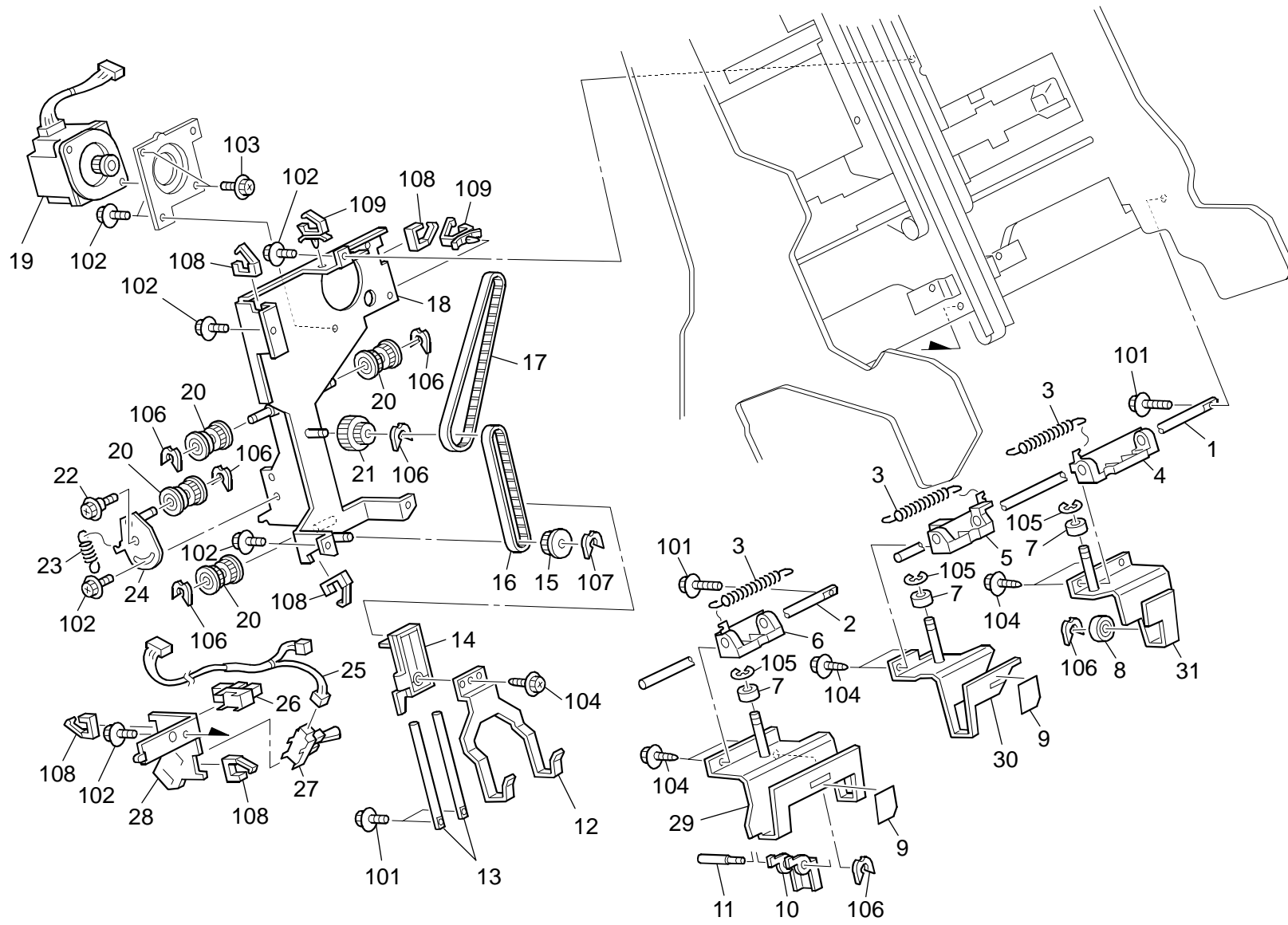
### 15.Staple Unit 5 (D434)

Index No.	Part No.	Description	Q'ty Per Assembly
1	D434 4490	Jogger Fence:Rear:Ass'y	1
2	D434 4470	Jogger Fence:Front:Ass'y	1
3	D434 4473	Film:Guide:Jogger:Upper	2
4	D434 4472	Guide:Plate:Jogger:Upper	2
5	5201 2722	Bushing - M6x5	2
6	B830 4623	Cover - Rear Jogger Fence	1
7	D434 4465	Guide:Plate:Jogger:Lower	2
8	B302 4617	Jogger Fence Slider	2
9	B830 4613	Cover - Front Jogger Fence	1
10	D434 4231	Stapler Tray:Front	1
11	D434 4221	Stapler Tray:Rear	1
12	D434 4241	Sound Proofing Material:Pressure Sub-unit	2
13	D434 4451	Shaft:Jogger Fence:Slide	2
14	AW02 0156	Photointerruptor:EE-SX4235A-P2	1
15	D434 4126	Bracket:Caster	1
16	AH01 2014	Caster - 60kgf	1
17	A300 3634	Spring Plate - Timing Belt	2
18	D434 4419	Timing Belt:60S3M552	2
19	A859 4141	Pulley Idler	1
20	B830 5565	Stepper Motor DC6.7V 16W	2
21	AB03 0278	Idler - 20Z	3
22	AA06 2334	Tension Spring:4.9N	2
23	D434 4415	Tensioner:Jogger Fence:Ass'y	2
24	AA14 3790	Screw:Contact Point	2

Index No.	Part No.	Description	Q'ty Per Assembly
101	0454 4008Q	Tapping Screw - M4x8	
102	0454 3006Q	Tapping Screw - M3x6	
103	0451 3006N	Tapping Screw - 3x6	
104	0450 3008N	Tapping Screw - M3x8	
105	0804 6123	Hexagonal Bolt:W/Washer:M3x8	
106	0353 0040N	Screw - M3x4	
107	0720 0060E	Retaining Ring - M6	
108	0720 0040E	Retaining Ring - M4	
109	1105 0516	Clamp	



# 16.Staple Unit 6 (D434)

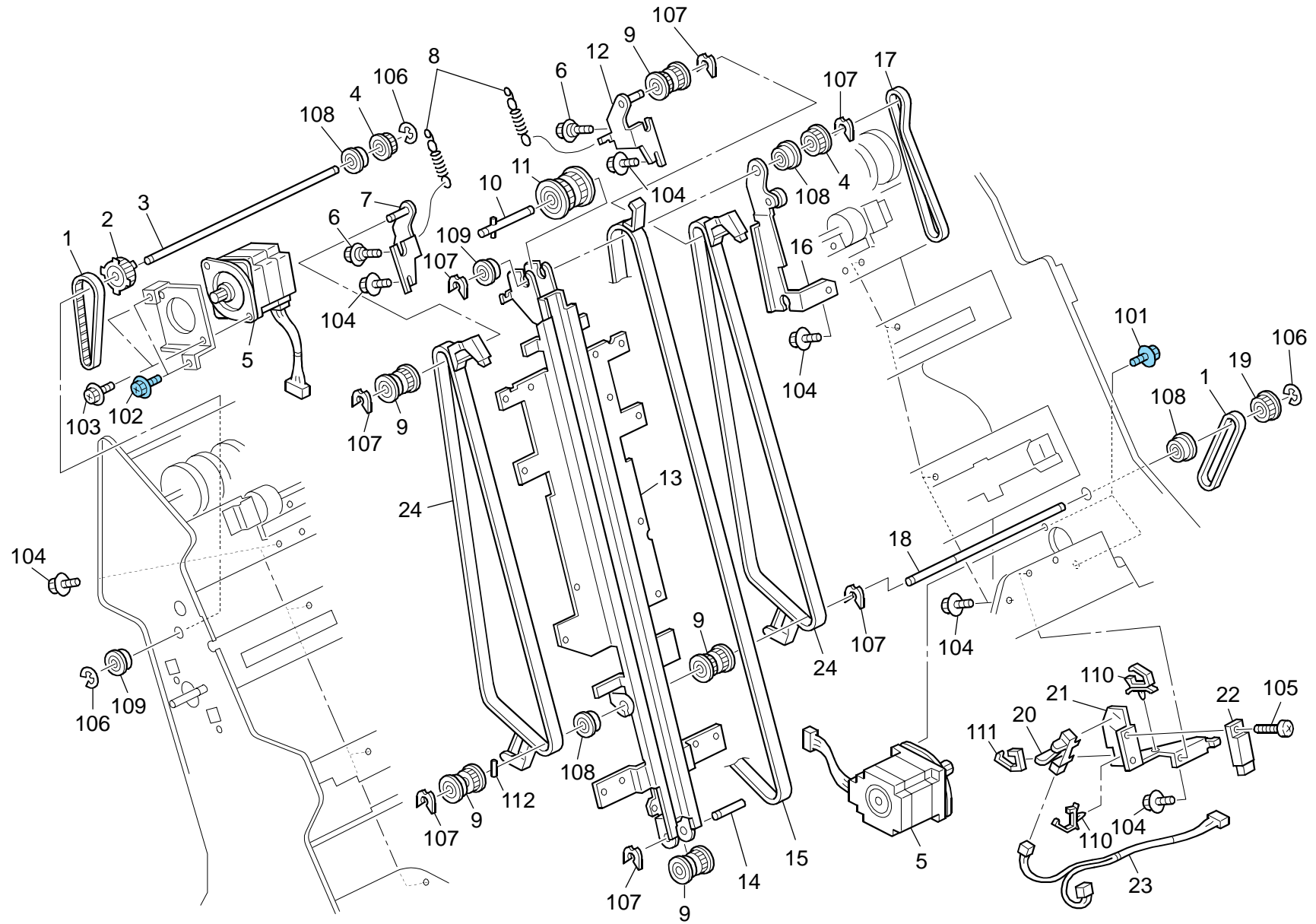


## 16.Staple Unit 6 (D434)

Index No.	Part No.	Description	Q'ty Per Assembly
1	D434 4316	Shaft:Standard Fence:Slide:Rear	1
2	D434 4315	Shaft:Standard Fence:Slide:Front	1
3	B700 4107	Spring:Return:Standard Fence	3
4	D434 4345	Slider:Standard Fence:Auxiliary	1
5	D434 4335	Slider:Standard Fence:Rear	1
6	D434 4325	Slider:Standard Fence:Front	1
7	5201 2722	Bushing - M6x5	3
8	A681 2742	Driven Exit Roller	1
9	B302 4517	Mylar Guide	2
10	B830 4517	Slider Hook Bracket	1
11	B830 4518	Slider Hook Shaft	1
12	D434 4261	Standard Fence:Moveable	1
13	D434 4263	Shaft:Guide:Standard Fence:Moveable	2
14	D434 4262	Slider:Standard Fence:Moveable	1
15	AB03 0609	Pulley - 20T	1
16	D434 4265	Timing Belt:40S3M237	1
17	AA04 3593	Timing Belt - 40S3M324	1
18	D434 4270	Bracket:Motor:Standard Fence	1
19	B830 5562	Stepper Motor DC1.56V 3.7W	1
20	A666 3180	Timing Pulley - Z32	4
21	D434 4264	Pulley:T18:T28	1
22	AA14 3790	Screw:Contact Point	1
23	AA06 2334	Tension Spring:4.9n	1
24	D434 4565	Tensioner:Exit:Ass'y	1
25	D434 5791	Harness:Interface:Exit:Pawl:Hp Sensor	1
26	AW02 0156	Photointerruptor:EE-SX4235A-P2	1
27	AW02 0182	Photointerruptor	1
28	D434 4317	Bracket:Sensor:Exit Belt	1
29	D434 4321	Standard Fence:Front	1
30	D434 4331	Standard Fence:Rear	1
31	D434 4341	Standard Fence:Rear:Auxiliary	1

Index No.	Part No.	Description	Q'ty Per Assembly
101	0451 3008N	Tapping Screw - M3x8	
102	0451 3006N	Tapping Screw - 3x6	
103	0451 4006N	Tapping Screw - 4x6	
104	0450 3008N	Tapping Screw - M3x8	
105	0720 0040E	Retaining Ring - M4	
106	0805 0089	Retaining Ring - M4	
107	0805 0088	Retaining Ring - M6	
108	1105 0522	Edge Saddle - LES0510	
109	1105 0623	Clamp - LBWS-0206S-V0	

# 17.Staple Unit 7 (D434)

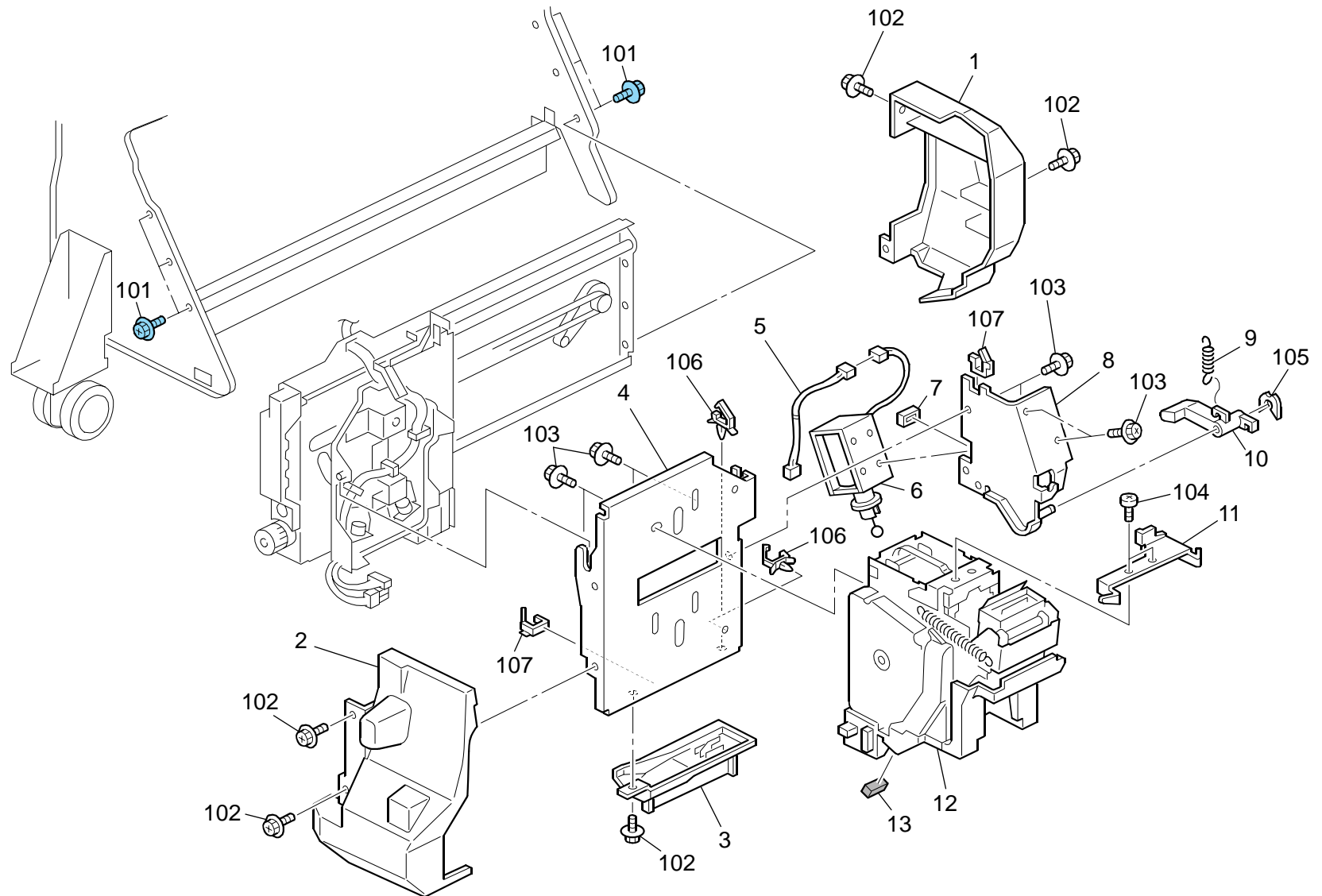


## 17.Staple Unit 7 (D434)

Index No.	Part No.	Description	Q'ty Per Assembly
1	B830 1534	Timing Belt - 60S3M216	2
2	D434 4568	Timing Pulley:T30:S3M	1
3	D434 4553	Shaft:Exit:Drive	1
4	D434 4557	Timing Pulley:T19:S3M	2
5	B830 5564	Stepper Motor DC1.35V 4W	2
6	AA14 3790	Screw:Contact Point	2
7	D434 4535	Tensioner:Stopper:Leading Edge:Front	1
8	D434 4539	Tension Spring:Stopper:Leading Edge	2
9	A666 3180	Timing Pulley - Z32	5
10	D434 4555	Shaft:Exit Belt:Upper:Ass'y	1
11	D434 4569	Timing Pulley:Exit Belt:T56	1
12	D434 4530	Tensioner:Stopper:Leading Edge:Rear	1
13	D434 4250	Stapler Tray:Middle:Ass'y	1
14	B302 4731	Lower Exit Shaft	1
15	D434 4550	Exit Belt:Ass'y	1
16	D434 4561	Bracket:Shaft:Exit:Upper:Ass'y	1
17	D434 4567	Timing Belt:60S3M324	1
18	D434 4511	Shaft:Stopper:Leading Edge:Drive:Ass'y	1
19	A697 2260	Pulley - 17T	1
20	AW02 0182	Photointerruptor	1
21	D434 4318	Bracket:Sensor:Pawl:Stopper	1
22	AW01 0124	Photo Reflection Sensor:GP2A200LCS0F	1
23	D434 5792	Harness:Interface:Home Position Sensor	1
24	D434 4510	Pawl:Stopper:Ass'y	2

Index No.	Part No.	Description	Q'ty Per Assembly
101	0454 4006Q	Tapping Screw:4x6	
102	0454 3006Q	Tapping Screw - M3x6	
103	0451 4006N	Tapping Screw - 4x6	
104	0451 3006N	Tapping Screw - 3x6	
105	0313 0080N	Pan Head Screw:M3x8	
106	0720 0040E	Retaining Ring - M4	
107	0805 0089	Retaining Ring - M4	
108	0741 3706	Ball Bearing - 6x10x3	
109	0741 3506	Ball Bearing - 6x12x4 mm	
110	1105 0623	Clamp - LBWS-0206S-V0	
111	1105 0522	Edge Saddle - LES0510	
112	0632 0100G	Pin - 2x10mm	

# 18. Staple Unit 8 (D434)

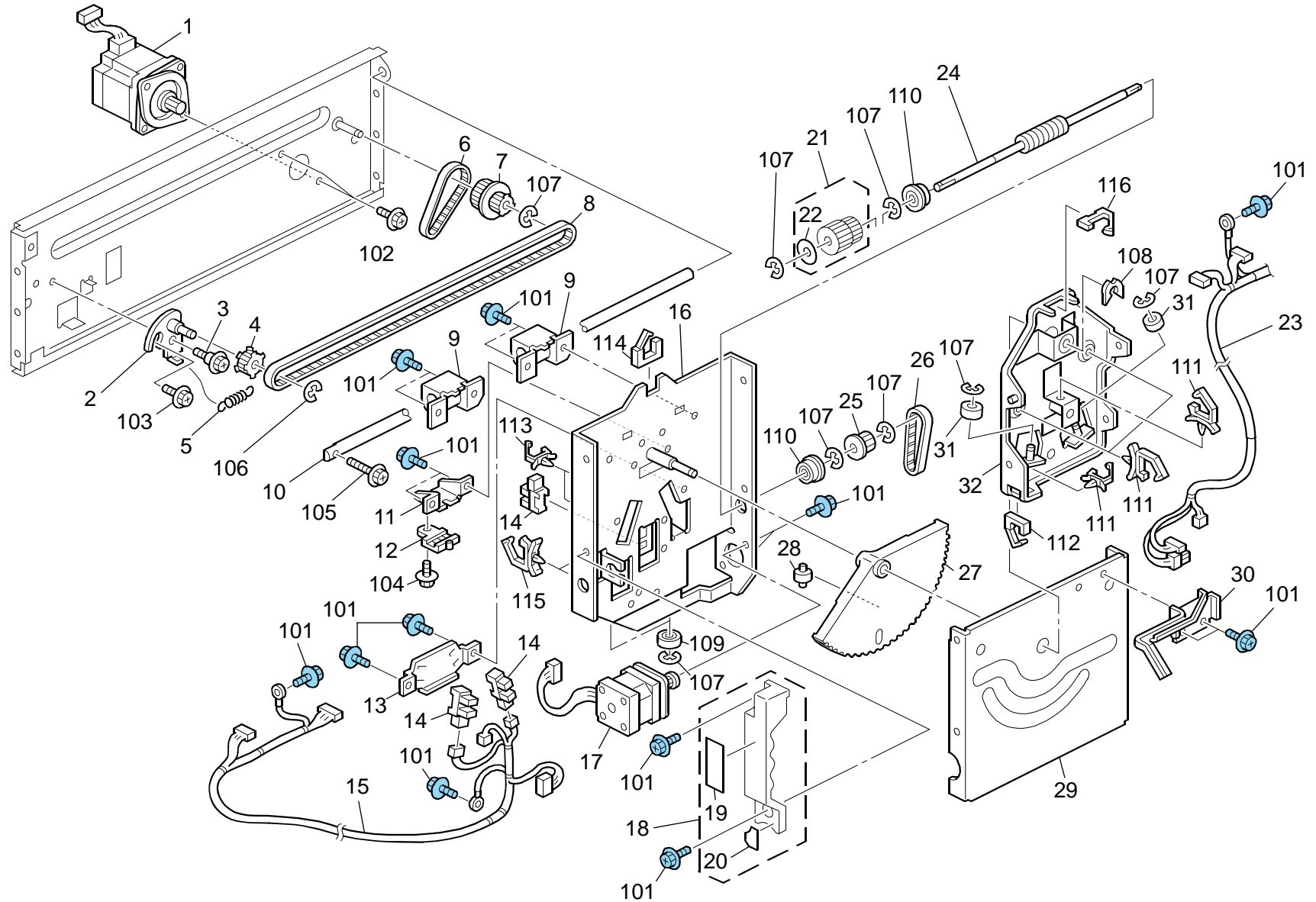


### 18.Staple Unit 8 (D434)

Index No.	Part No.	Description	Q'ty Per Assembly
1	D434 4211	Cover:Stapler:Rear	1
2	B830 4215	Stapler Cover - Front	1
3	B830 4216	Cover - Stapler Harness	1
4	B830 4214	Stapler Base	1
5	D434 5763	Harness:Interface:Solenoid	1
6	B830 4286	DC Solenoid 24V	1
7	A697 2102	Damper - Junction Gate Solenoid	1
8	B830 4281	Lever Bracket	1
9	B830 4285	Tension Spring	1
10	B830 4284	Stapler Lever	1
11	B830 4213	Guide - Standard Fence	1
12	AJ01 1023	Stapler:EH-1200R	1
13	B703 1159	Guard:Frame	1

Index No.	Part No.	Description	Q'ty Per Assembly
101	0454 3006Q	Tapping Screw - M3x6	
102	0451 3008N	Tapping Screw - M3x8	
103	0451 3006N	Tapping Screw - 3x6	
104	0353 0040N	Screw - M3x4	
105	0805 0092	Retaining Ring - 3m	
106	1105 0623	Clamp - LBWS-0206S-V0	
107	1105 0514	Edge Saddle - EDS-0607L	

# 19. Staple Unit 9 (D434)



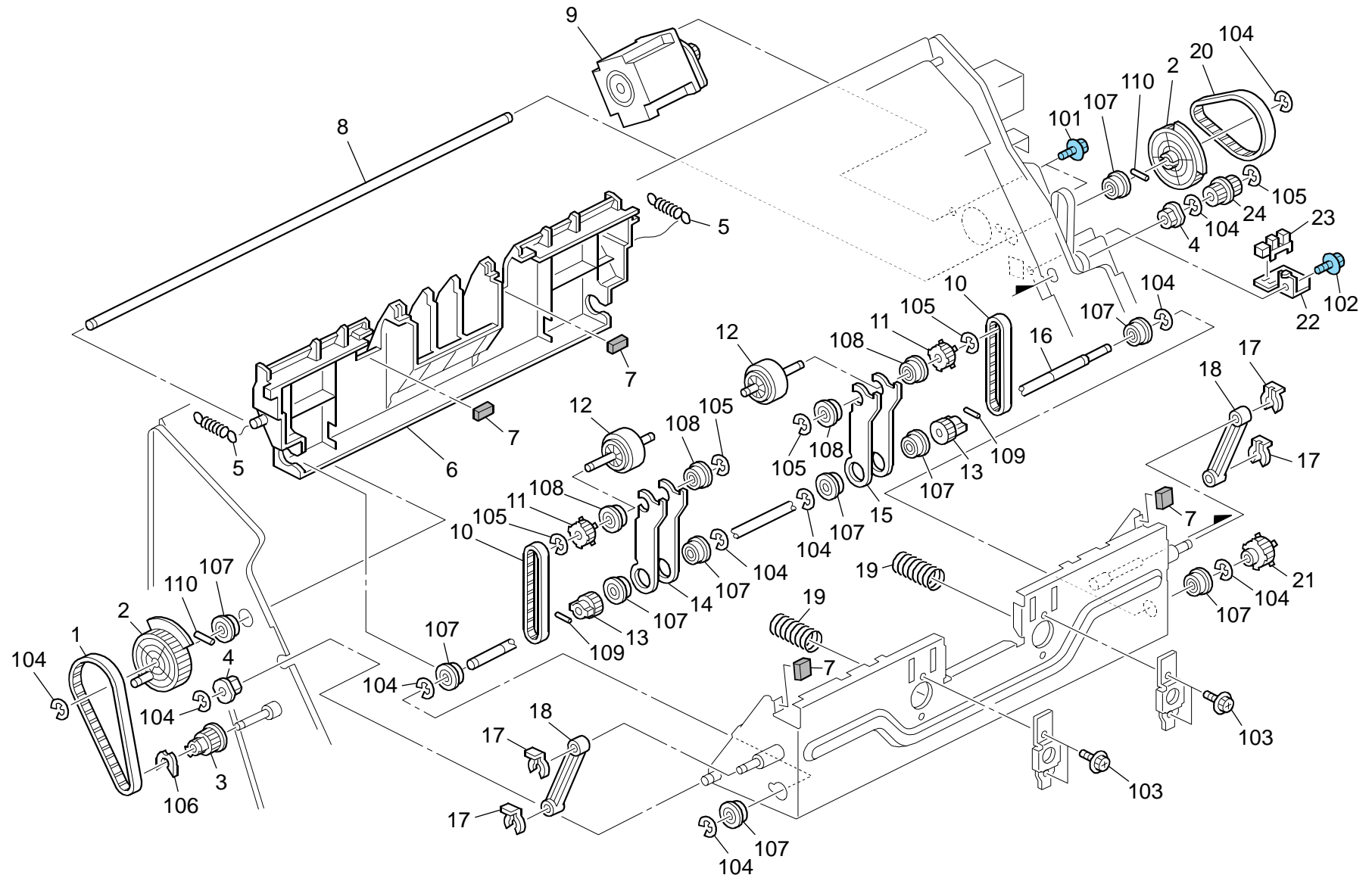
## 19.Staple Unit 9 (D434)

Index No.	Part No.	Description	Q'ty Per Assembly
1	B830 5574	Stepper Motor DC2.2V 5.7W	1
2	B468 4766	Tightener	1
3	AA14 3790	Screw:Contact Point	1
4	AB03 0278	Idler - 20Z	1
5	B478 4257	Tension Spring:Tightener	1
6	B830 1533	Timing Belt - 60S3M171	1
7	B478 4256	Timing Pulley:20T-30T	1
8	B302 4756	Timing Belt - 753P3M6	1
9	B830 4245	Ball Bearing	2
10	D434 4356	Shaft:Stapler:Move	1
11	B478 4291	Bracket:Stay:Timing Belt	1
12	B302 4292	Belt Holder	1
13	B830 4249	Sensor Bracket	1
14	AW02 0156	Photointerruptor:EE-SX4235A-P2	3
15	D434 5762	Harness:Interface:Diagonal-slanted:Motor	1
16	B830 4235	Slider:Base:Stapler	1
17	B700 5807	Stepper Motor:MM42:S2M:T15:Ass'y	1
18	D434 4246	Grip:Slider:Ass'y	1
19	D434 7785	Decal:Stapler Unit:18RB	1
20	D434 7790	Decal:Knob:Stapler Unit:RB19	1
21	B830 4275	Knob	1
22	B830 7709	Decal - Stapler Unit (R10)	1
23	D434 5761	Harness:Main:Stapler Section:Motor	1
24	B830 4261	Worm Gear	1
25	B830 4262	Pulley - 19T	1
26	B830 4263	Timing Belt - 60S2M140	1
27	B830 4271	Gear - 166Z	1
28	A376 1343	Original Pressure Roller	1
29	B830 4231	Stapler Holder - Middle	1
30	D434 4361	Hook:Slider:Standard Fence:Rear	1
31	A377 4741	Roller - M14	2
32	B830 4221	Stapler Holder	1

Index No.	Part No.	Description	Q'ty Per Assembly
101	0454 3006Q	Tapping Screw - M3x6	
102	0451 4006N	Tapping Screw - 4x6	
103	0451 3006N	Tapping Screw - 3x6	
104	0451 3008N	Tapping Screw - M3x8	
105	0451 4010N	Tapping Screw:4x10	
106	0720 0060E	Retaining Ring - M6	
107	0720 0040E	Retaining Ring - M4	
108	0805 0088	Retaining Ring - M6	
109	0740 3506	Ball Bearing - 6x12x4 mm	
110	0741 3506	Ball Bearing - 6x12x4 mm	
111	1105 0516	Clamp	
112	1105 0522	Edge Saddle - LES0510	
113	1105 0623	Clamp - LBWS-0206S-V0	
114	1105 0518	Edge Saddle - LES-1010	
115	1105 0508	Harness Clamp - LWS-0711	
116	1105 0521	Clamp - LES-1017	



## 20.Staple Unit 10 (D434)

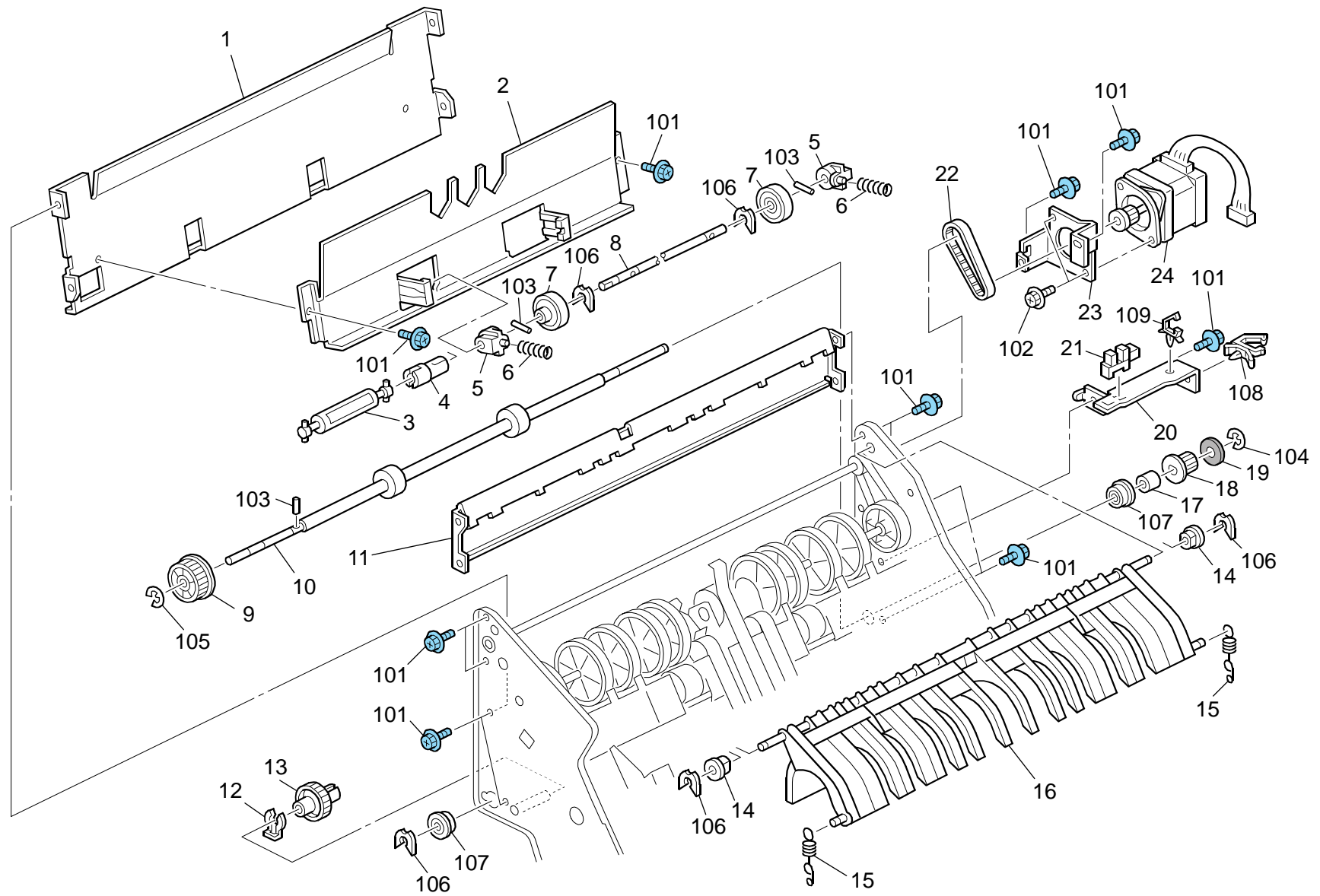


## 20.Staple Unit 10 (D434)

Index No.	Part No.	Description	Q'ty Per Assembly
1	AA04 3657	Timing Belt:60S3M294	1
2	D434 4807	Cam:Pressure Sub-unit:Open And Close	2
3	D434 4804	Timing Pulley:T20:S3M:Radia Ball Bearing	1
4	B872 2614	Bushing:R1	2
5	D434 4731	Tension Spring:1.02N	2
6	D434 4730	Guide Plate:Pressure:Transport	1
7	B830 3688	Cushion:Jogger Fence	4
8	D434 4806	Shaft:Cam:Pressure Sub-unit: Open And Close	1
9	B700 5812	Stepper Motor:MM56:S3M:T14:Ass'y	1
10	D434 4736	Timing Belt:60S3M192	2
11	G569 2855	Timing Pulley - 17T	2
12	D434 4746	Transport Roller:Pressure	2
13	D434 4742	Timing Pulley:S3M:T17	2
14	D434 4748	Arm:Transport Roller:Pressure:Front	1
15	D434 4758	Arm:Transport Roller:Pressure:Rear	1
16	D434 4741	Shaft:Drive:Transport Roller:Pressure	1
17	5215 2621	Snap Ring - M6	4
18	D434 4801	Link:Pressure Sub-unit:Open And Close	2
19	D434 4737	Compression Spring:30.84N	2
20	D434 4771	Timing Belt:60S3M207	1
21	B352 1607	Timing Pulley - T20-S3M	1
22	D434 4811	Bracket:Sensor:Cam:Drive:Pressure	1
23	AW02 0156	Photointerruptor:EE-SX4235A-P2	1
24	AB03 3088	Pulley - 20T/20T	1

Index No.	Part No.	Description	Q'ty Per Assembly
101	0454 4006Q	Tapping Screw:4x6	
102	0454 3006Q	Tapping Screw - M3x6	
103	0451 3006N	Tapping Screw - 3x6	
104	0720 0060E	Retaining Ring - M6	
105	0720 0040E	Retaining Ring - M4	
106	0805 0088	Retaining Ring - M6	
107	0742 3808	Ball Bearing - 8x16x5	
108	0741 3506	Ball Bearing - 6x12x4 mm	
109	0632 0120G	Parallel Pin - 2x12	
110	0633 0160G	Parallel Pin - 3x16mm	

# 21.Staple Unit 11 (D434)

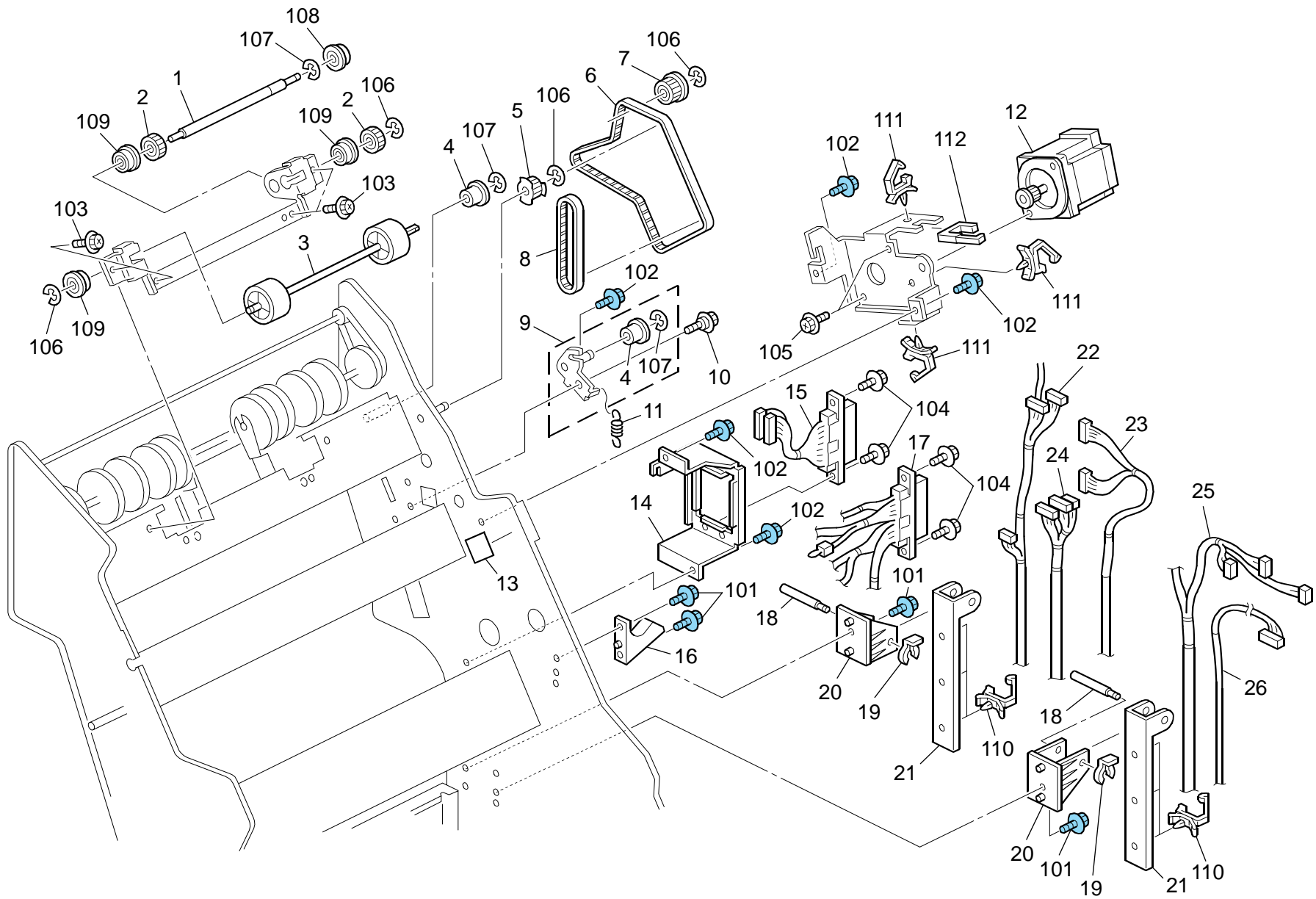


## 21.Staple Unit 11 (D434)

Index No.	Part No.	Description	Q'ty Per Assembly
1	D434 4905	Guide Plate:Drive:Turn:Lower	1
2	D434 4915	Guide Plate:Driven:Turn:Lower	1
3	D434 5317	Joint:Coupling:Drive:Transport	1
4	D434 5315	Collar:Coupling:Drive:Transport	1
5	D434 5311	Radial Ball Bearing:6x10x3	2
6	D434 5313	Compression Spring:Transport Roller: Paper Crimp Sub-unit	2
7	D434 5307	Roller:Driven:Transport: Paper Crimp Sub-unit	2
8	D434 5309	Shaft:Driven:Transport:Release	1
9	D434 4903	Gear:Transport Roller:Lengthwise:Coupling	1
10	D434 4901	Transport Roller:Lengthwise	1
11	D434 4866	Guide Plate:Stay:Exit	1
12	5447 2681	Snap Ring	1
13	D434 5319	Gear:Driven Roller:Coupling	1
14	AA08 2101	Bushing - 6x10x6	2
15	D434 4857	Tension Spring:1.60N	2
16	D434 4856	Guide:Turn:Moveable	1
17	B302 4239	Guide Roller	1
18	A806 3281	Timing Pulley - T14 S3M	1
19	B478 3569	Spacer	1
20	D434 4889	Bracket:Sensor:Cam:Guide:Turn	1
21	AW02 0156	Photointerruptor:EE-SX4235A-P2	1
22	D434 4886	Timing Belt:60S3M129	1
23	B700 1600	Bracket:Stepper Motor:Transport	1
24	B700 5806	Stepper Motor:MM42:S3M:T14:Ass'y	1

Index No.	Part No.	Description	Q'ty Per Assembly
101	0454 3006Q	Tapping Screw - M3x6	
102	0451 3006N	Tapping Screw - 3x6	
103	0632 0120G	Parallel Pin - 2x12	
104	0720 0060E	Retaining Ring - M6	
105	0720 0040E	Retaining Ring - M4	
106	0805 0089	Retaining Ring - M4	
107	0741 3506	Ball Bearing - 6x12x4 mm	
108	1105 0508	Harness Clamp - LWS-0711	
109	1105 0623	Clamp - LBWS-0206S-V0	

## 22.Staple Unit 12 (D434)

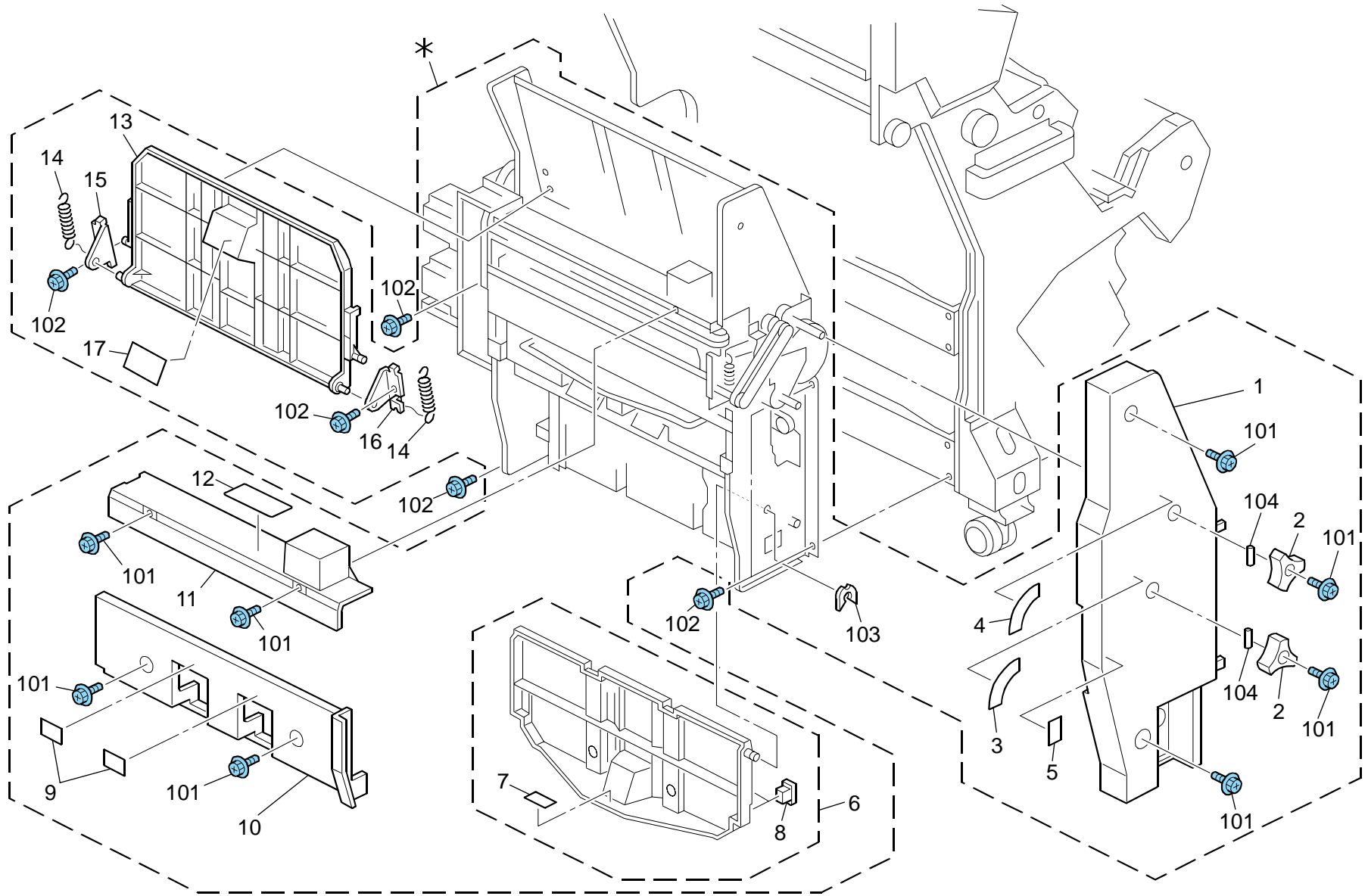


## 22.Staple Unit 12 (D434)

Index No.	Part No.	Description	Q'ty Per Assembly
1	D434 4761	Shaft:Drive:Transport Roller:Inner	1
2	D434 4757	Gear:Drive:Transport Roller:Pressure	2
3	D434 4756	Transport Roller:Pressure:Inner	1
4	A458 3281	Idler Roller	2
5	B302 1542	Timing Pulley - 20Z	1
6	D434 4777	Timing Belt:60S3M459	1
7	AB03 0807	Timing Pulley - 20T	1
8	D434 4771	Timing Belt:60S3M207	1
9	D434 4780	Tensioner:Long:Ass'y	1
10	AA14 3790	Screw:Contact Point	1
11	D434 4790	Tension Spring:10.5n	1
12	B700 5812	Stepper Motor:MM56:S3M:T14:Ass'y	1
13	D434 7835	Decal:H-temp Warning:Motor: Side Plate:Rear	1
14	D434 4116	Bracket:Connector:Stapler Tray:Moveable	1
15	D434 5804	Harness:Drawer:Saddle Stapler Unit:Sensor	1
16	D434 4106	Stopper:Stapler Unit	1
17	D434 5838	Harness:Drawer:Stapler Tray:Sensor	1
18	B700 4523	Pin:Fix:Arm	2
19	5206 2686	Snap Ring	2
20	B700 4521	Holder:Arm:Harness	2
21	B700 4522	Arm:Harness:Stapler Unit	2
22	D434 5839	Harness:Main:Stapler Tray:Inner:Motor	1
23	D434 5822	Harness:Sub:Roller:Plate:Motor	1
24	D434 5807	Harness:Sub:PCB:Saddle Stapler:Motor	1
25	D434 5765	Harness:Main:Stapler Tray:Motor	1
26	D434 5760	Harness:Main:PCB:Stapler Section:Sensor	1

Index No.	Part No.	Description	Q'ty Per Assembly
101	0454 3008Q	Tapping Screw:3x8	
102	0454 3006Q	Tapping Screw - M3x6	
103	0451 3006N	Tapping Screw - 3x6	
104	0451 3008N	Tapping Screw - M3x8	
105	0451 4006N	Tapping Screw - 4x6	
106	0720 0040E	Retaining Ring - M4	
107	0720 0060E	Retaining Ring - M6	
108	0742 3808	Ball Bearing - 8x16x5	
109	0741 3506	Ball Bearing - 6x12x4 mm	
110	1105 0489	Harness Clamp - LWS 1316	
111	1105 0508	Harness Clamp - LWS-0711	
112	1105 0518	Edge Saddle - LES-1010	

# 23.Booklet Unit 1 (D434)



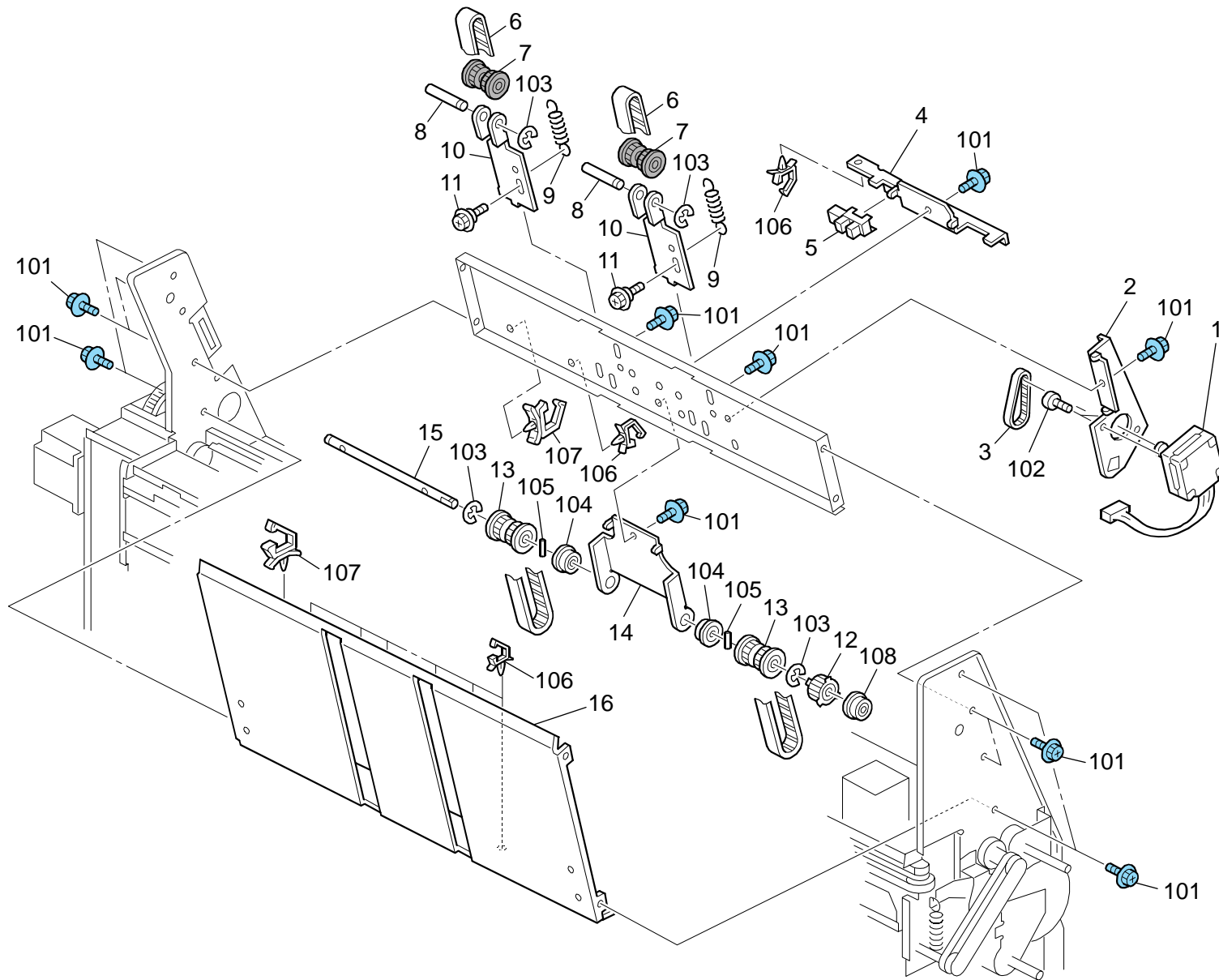
### 23.Booklet Unit 1 (D434)

Index No.	Part No.	Description	Q'ty Per Assembly
*	D434 5001	Saddle Stapler Unit:Ass'y	1
1	D434 5471	Inner Cover:Saddle Stapler Unit	1
2	B700 4885	Knob:Paper Crimp	2
3	D434 7745	Decal:Knob:Blade:RB10	1
4	D434 7750	Decal:Knob:Roller:RB11	1
5	D434 7800	Decal:Saddle Stapler:Front:S2	1
6	D434 5330	Guide Plate:Lower:Saddle Stapler	1
7	D434 7780	Decal:Paper Crimp:Saddle Stapler:RB17	1
8	AA02 1030	Magnet Catch	2
9	D434 7805	Decal:Saddle Stapler:Middle:S2	2
10	D434 5461	Cover:EH281R	1
11	D434 5466	Cover:Saddle Stapler	1
12	D434 7825	Decal:Caution:Paper Crimp Sub-unit	1
13	D434 5406	Guide Plate:Vertical Transport	1
14	B700 4697	Tension Spring:Roller:Guide Plate	2
15	D434 5402	Bracket>Contact Point:Rear	1
16	D434 5403	Bracket>Contact Point:Front	1
17	D434 7770	Decal:Vertical Transport:RB15	1

Index No.	Part No.	Description	Q'ty Per Assembly
101	0454 3008Q	Tapping Screw:3x8	
102	0454 3006Q	Tapping Screw - M3x6	
103	0805 0088	Retaining Ring - M6	
104	0633 0180G	Parallel Pin - 3x18mm	



## 24.Booklet Unit 2 (D434)

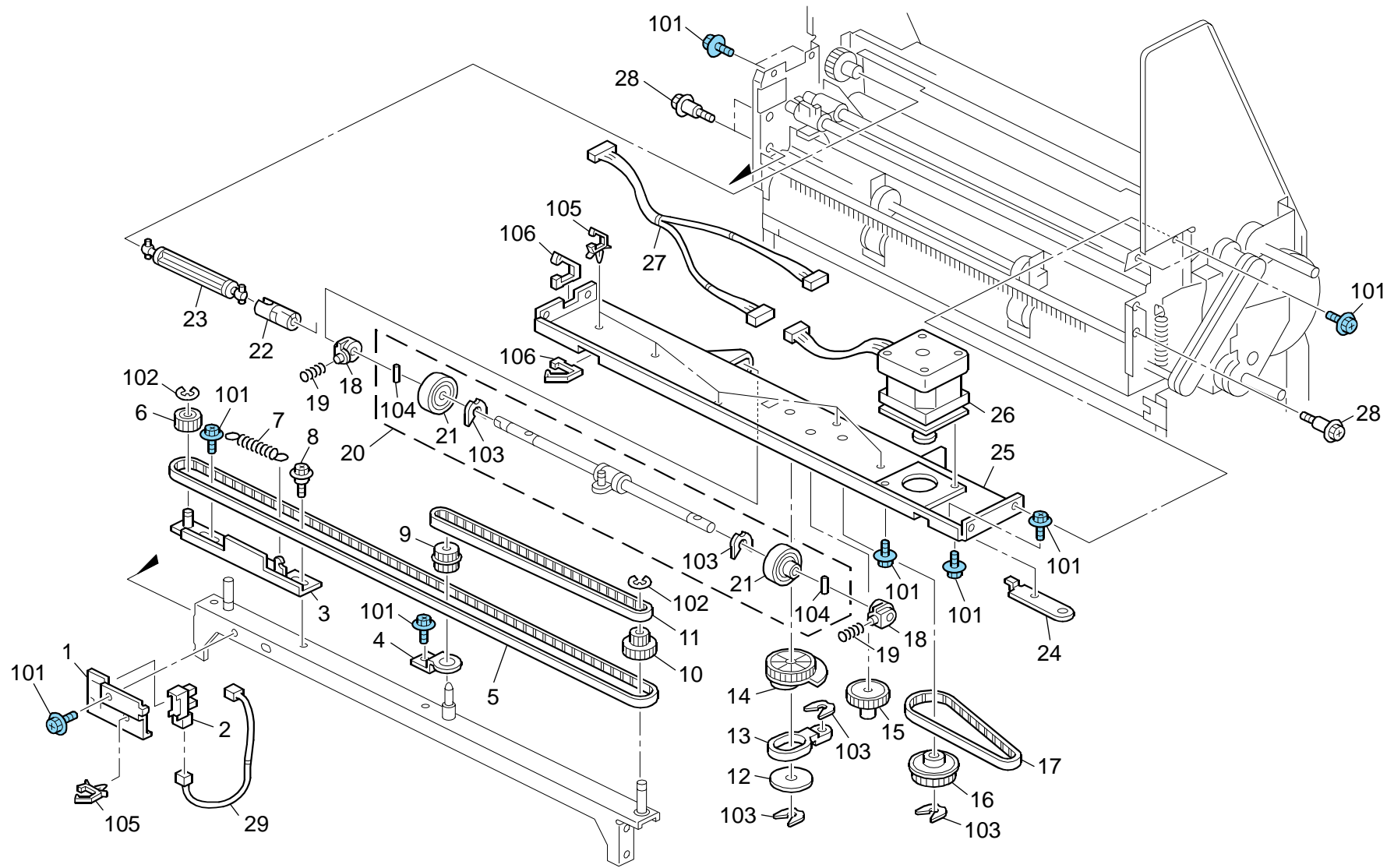


## 24.Booklet Unit 2 (D434)

Index No.	Part No.	Description	Q'ty Per Assembly
1	B700 5810	Stepper Motor:DC24V 2.5W	1
2	D434 5388	Bracket:Motor:Leading Edge	1
3	B830 3504	Timing Belt - 40S2M100	1
4	D434 5397	Bracket:Home Position Sensor	1
5	AW02 0141	Photointerruptor	1
6	D434 5390	Pawl:Belt:Uniform:Saddle Stapler Unit	2
7	D434 5376	Pulley:Belt Tension:Pawl:Uniform	2
8	D434 5374	Shaft:Idler:Exit	2
9	AA06 2334	Tension Spring:4.9N	2
10	D434 5372	Bracket:Tensioner:Uniform:Leading Edge	2
11	B700 4867	Screw:Contact Point:M3	2
12	D434 5384	Pulley:Drive:Pawl	1
13	A666 3180	Timing Pulley - Z32	2
14	D434 5356	Bracket:Uniform:Leading Edge	1
15	D434 5382	Shaft:Leading Edge	1
16	D434 5401	Guide Plate:Vertical Transport	1

Index No.	Part No.	Description	Q'ty Per Assembly
101	0454 3006Q	Tapping Screw - M3x6	
102	0353 0040N	Screw - M3x4	
103	0720 0040E	Retaining Ring - M4	
104	0741 3706	Ball Bearing - 6x10x3	
105	0632 0120G	Parallel Pin - 2x12	
106	1105 0623	Clamp - LBWS-0206S-V0	
107	1105 0508	Harness Clamp - LWS-0711	
108	0741 3506	Ball Bearing - 6x12x4 mm	

# 25.Booklet Unit 3 (D434)

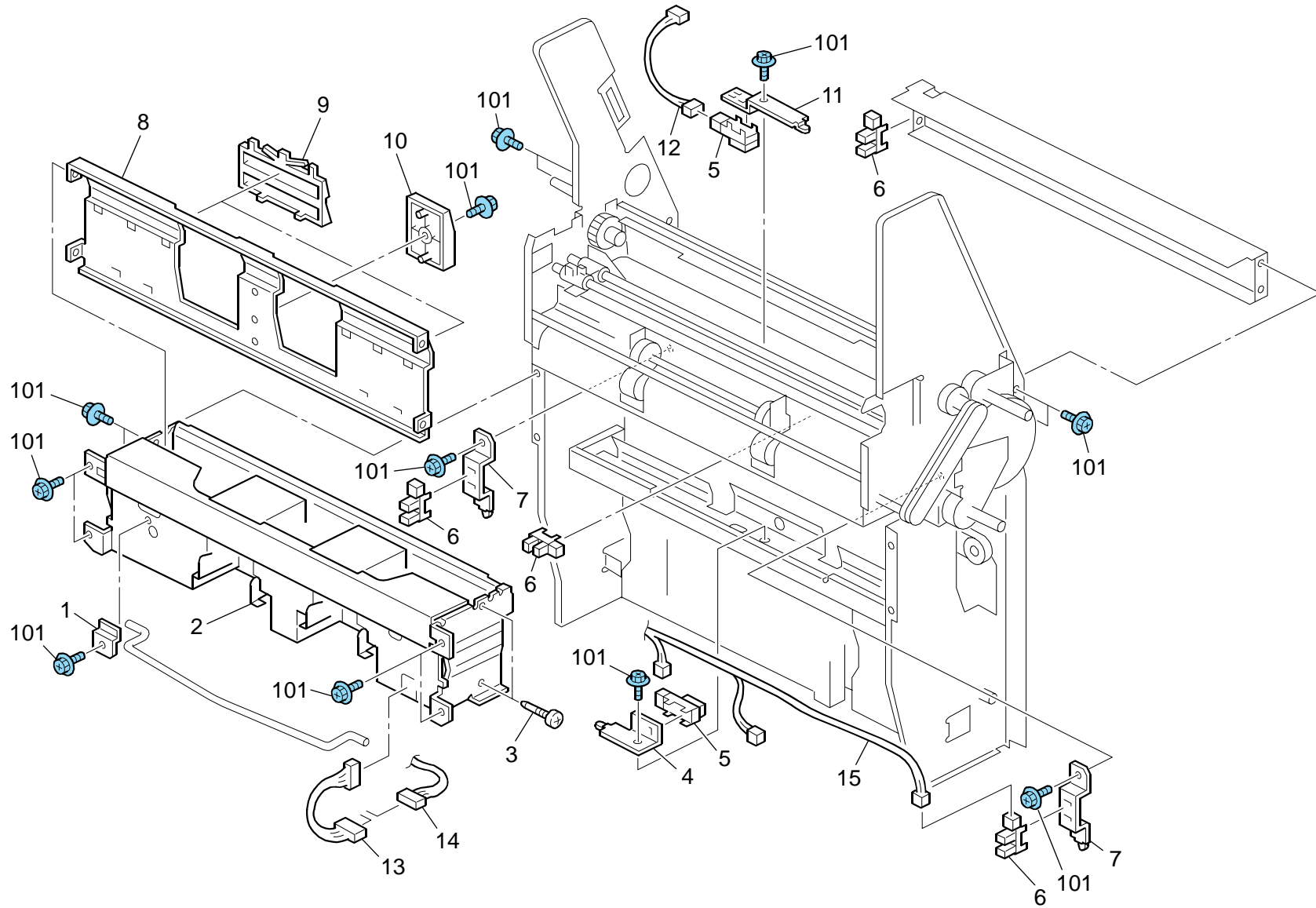


## 25.Booklet Unit 3 (D434)

Index No.	Part No.	Description	Q'ty Per Assembly
1	D434 5287	Bracket:Home Position Sensor	1
2	AW02 0141	Photointerruptor	1
3	D434 5280	Tensioner:Drive:Paper Crimp: Horizontal:Peen	1
4	D434 5276	Bracket:Guide:Timings Belt	1
5	B830 3726	Timing Belt - 40S2M848	1
6	D434 5283	Pulley:Idler:S2M-T26	1
7	AA06 2334	Tension Spring:4.9N	1
8	B700 4867	Screw:Contact Point:M3	1
9	D434 5274	Gear:Slow Down:Transport:Release	1
10	D434 5278	Pulley:Idler:S2M-18/32	1
11	D434 5279	Timing Belt:B40S2M380	1
12	B700 4829	Spacer:Release:Transport	1
13	D434 5304	Link:Release:Transport: Paper Crimp Sub-unit	1
14	B700 4821	Cam:Release:Transport	1
15	B700 4823	Gear:56Z	1
16	B700 4825	Gear:28Z	1
17	AA04 3962	Timing Belt - B40S2M214	1
18	D434 5311	Radial Ball Bearing:6x10x3	2
19	D434 5313	Compression Spring:Transport Roller: Paper Crimp Sub-unit	2
20	D434 5305	Roller:Driven:Transport:Release:Ass'y	1
21	D434 5307	Roller:Driven:Transport: Paper Crimp Sub-unit	2
22	D434 5315	Collar:Coupling:Drive:Transport	1
23	D434 5317	Joint:Coupling:Drive:Transport	1
24	D434 5288	Supporting Plate:Drive:Paper Crimp	1
25	D434 5300	Stay:Release:Transport	1
26	B700 5807	Stepper Motor:MM42:S2M:T15:Ass'y	1
27	D434 5812	Harness:Interface:Motor	1
28	AA14 3702	Screw:Pin:Positioning	4
29	D434 5806	Harness:Pressure Roller:Sensor	1

Index No.	Part No.	Description	Q'ty Per Assembly
101	0454 3006Q	Tapping Screw - M3x6	
102	0720 0040E	Retaining Ring - M4	
103	0805 0089	Retaining Ring - M4	
104	0632 0120G	Parallel Pin - 2x12	
105	1105 0623	Clamp - LBWS-0206S-V0	
106	1105 0522	Edge Saddle - LES0510	

## 26.Booklet Unit 4 (D434)

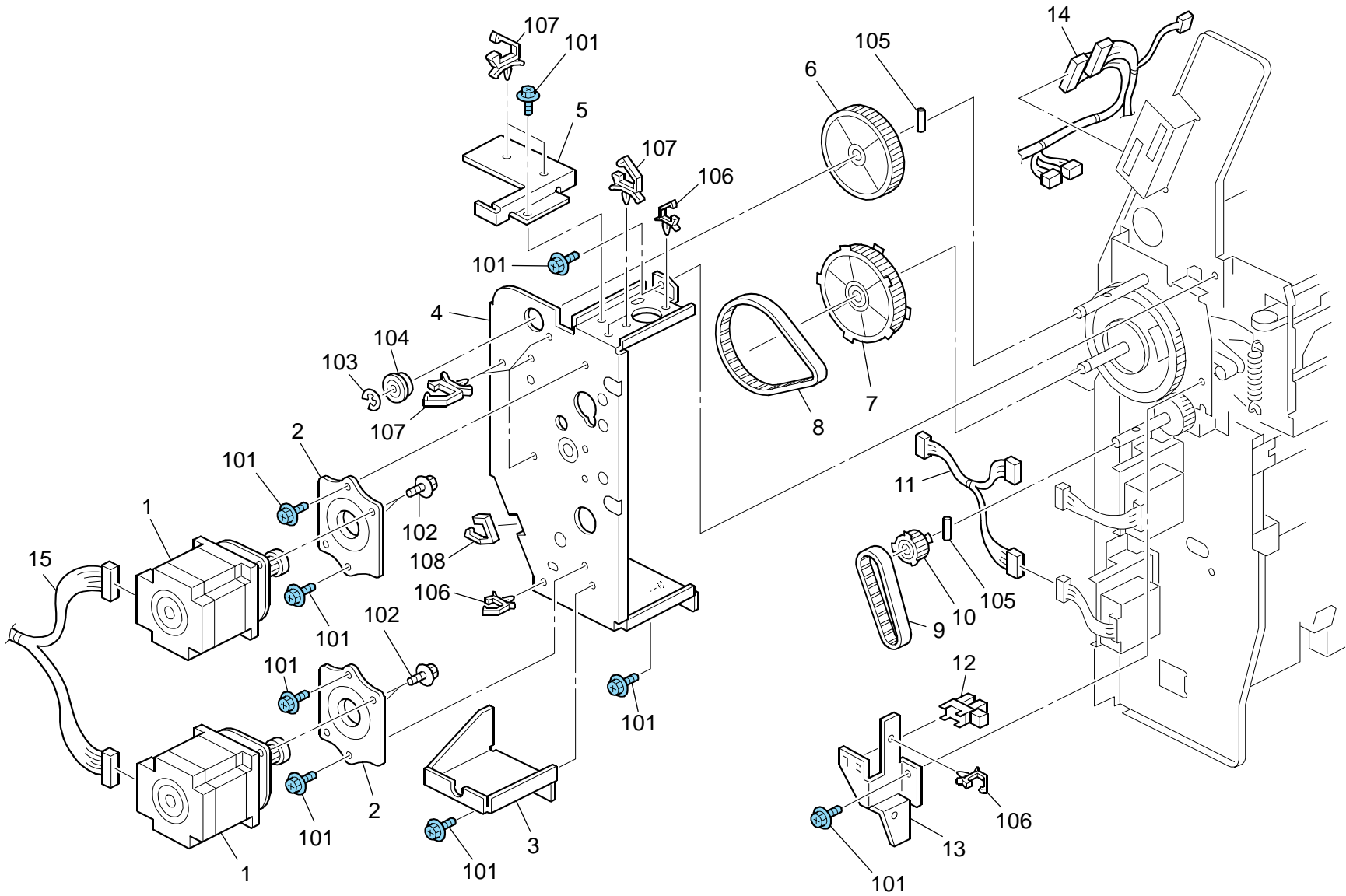


## 26.Booklet Unit 4 (D434)

Index No.	Part No.	Description	Q'ty Per Assembly
1	D434 5428	Stay:Grip:Stapler	1
2	AJ01 1024	Stapler:EH-281R	1
3	AA14 3788	Pin:Guide Plate:Paper Feed	2
4	D434 5123	Bracket:Sensor:Transport: Paper Crimp Sub-unit	1
5	GW01 0007	Photo Reflection Sensor:Exit	2
6	AW02 0141	Photointerruptor	4
7	D434 5169	Bracket:Sensor:Jogger	2
8	D434 5425	Guide Plate:Stapler:EH281R	1
9	D434 5427	Guide:Stapler:Side:EH281R	2
10	D434 5426	Guide:Stapler:Middle:EH281R	1
11	D434 5245	Bracket:Sensor:Exit	1
12	D434 5814	Harness:Paper Feed Sensor	1
13	D434 5813	Harness:Saddle Stapler:Stapler	1
14	D434 5810	Harness:Interface:Stapler	1
15	D434 5809	Harness:Sensor:Jogger	1

Index No.	Part No.	Description	Q'ty Per Assembly
101	0454 3006Q	Tapping Screw - M3x6	

# 27.Booklet Unit 5 (D434)



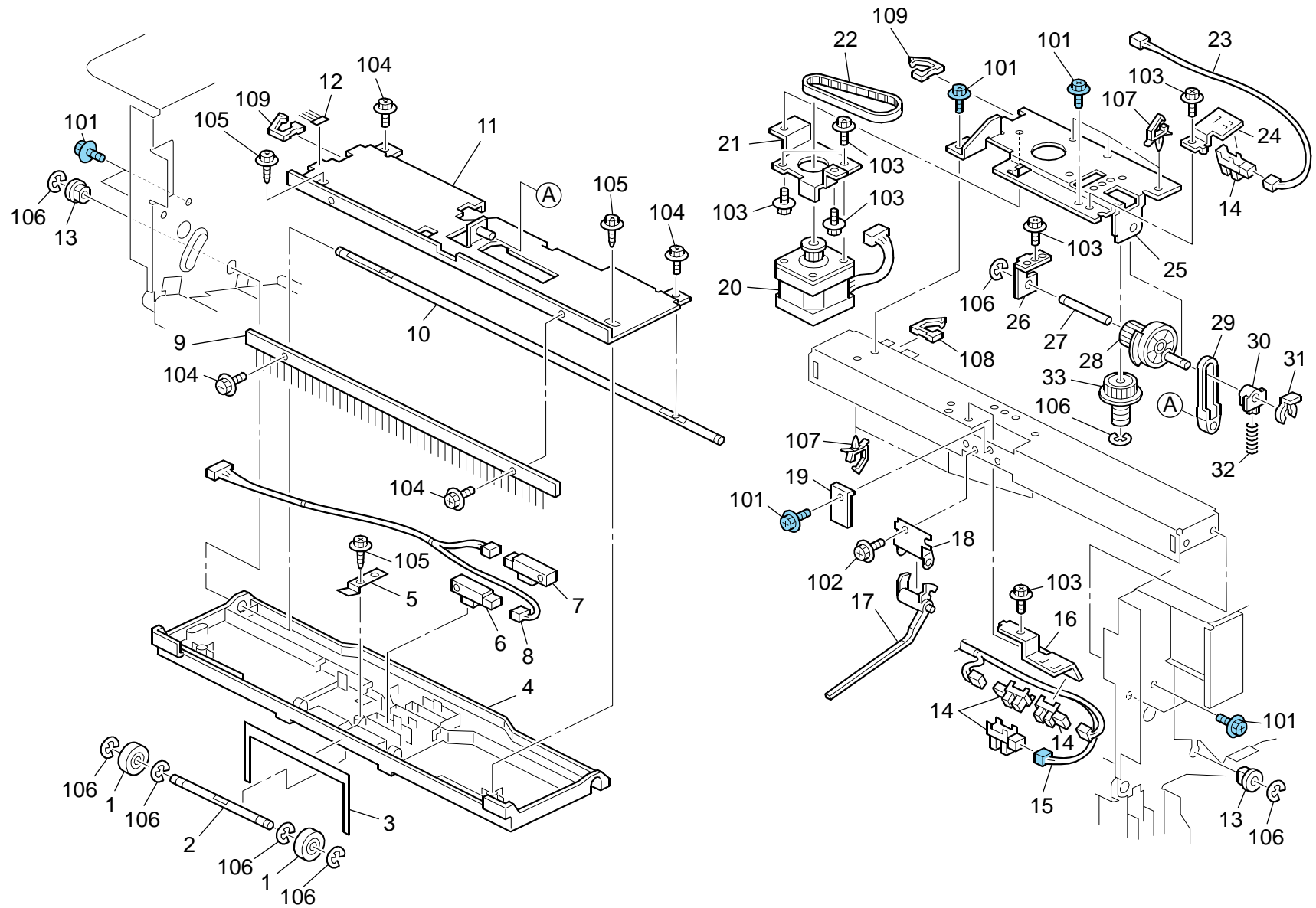
## 27.Booklet Unit 5 (D434)

Index No.	Part No.	Description	Q'ty Per Assembly
1	B700 5812	Stepper Motor:MM56:S3M:T14:Ass'y	2
2	B700 4797	Bracket:Motor:MM56	2
3	D434 5451	Grip:Paper Crimp :Rear	1
4	D434 5321	Bracket:Auxiliary:Rear:Paper Crimp	1
5	D434 5431	Guide:Harness:Paper Crimp	1
6	B700 4781	Gear:62T	1
7	B700 4782	Pulley:31T	1
8	D434 5326	Timing Belt:B80S3M243	1
9	B700 4785	Timing Belt:B80S3M156	1
10	B700 4784	Pulley:22T	1
11	D434 5850	Harness:Interface:Jogger:Motor	1
12	AW02 0141	Photointerruptor	1
13	B700 4770	Bracket:Home Position Sensor:Blade	1
14	D434 5811	Harness:Interface:Stapler Section:Sensor	1
15	D434 5822	Harness:Sub:Roller:Plate:Motor	1

Index No.	Part No.	Description	Q'ty Per Assembly
101	0454 3006Q	Tapping Screw - M3x6	
102	0451 4006N	Tapping Screw - 4x6	
103	0720 0060E	Retaining Ring - M6	
104	0742 3808	Ball Bearing - 8x16x5	
105	0633 0140G	Parallel Pin - 3x14	
106	1105 0623	Clamp - LBWS-0206S-V0	
107	1105 0508	Harness Clamp - LWS-0711	
108	1105 0522	Edge Saddle - LES0510	



## 28.Paper Exit Section 1 (D434)

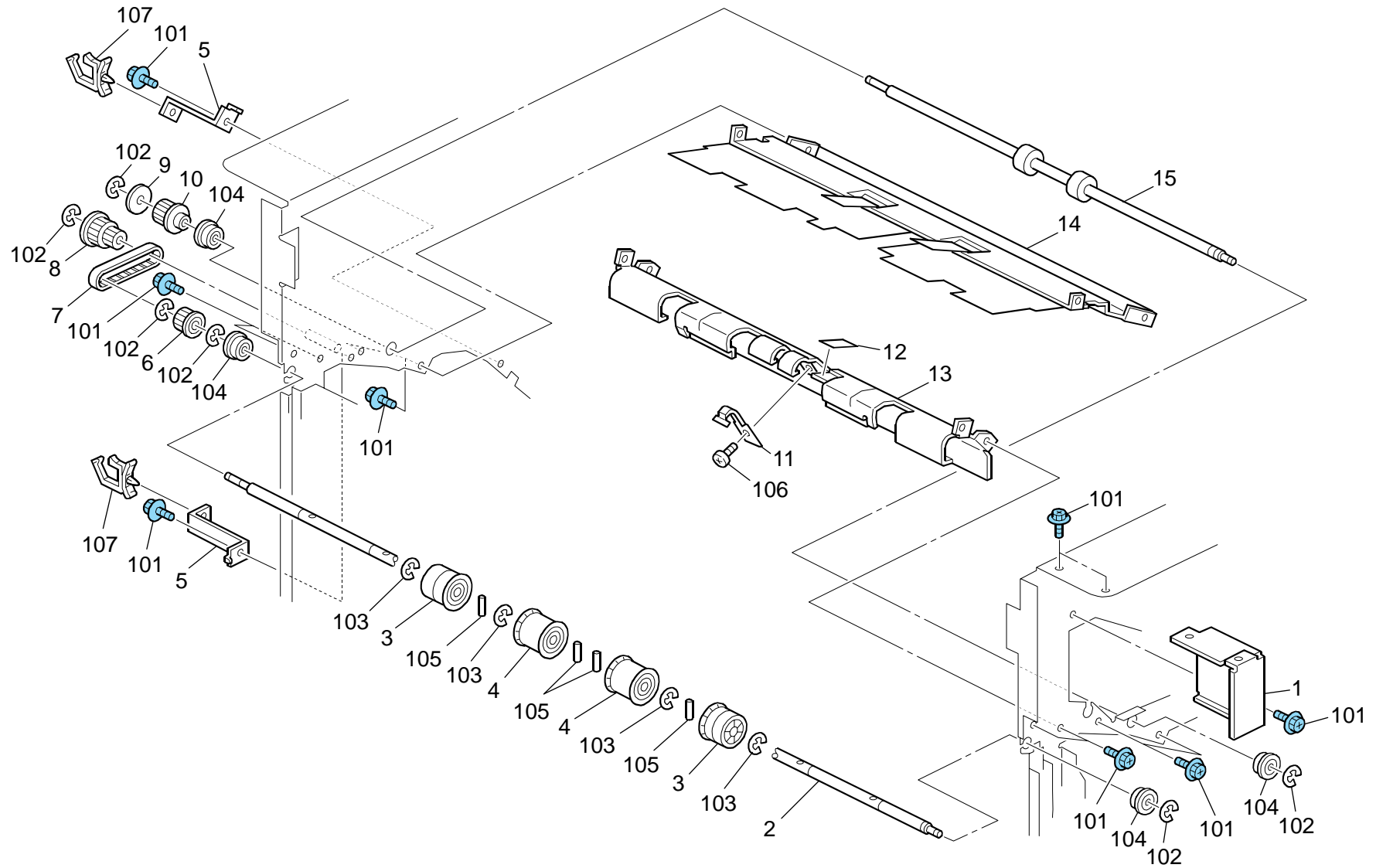


## 28.Paper Exit Section 1 (D434)

Index No.	Part No.	Description	Q'ty Per Assembly
1	B478 2328	Exit Roller:Driven	2
2	C308 2324	Shaft:Exit Roller:Driven	1
3	A379 2215	Exit Mylar	1
4	D434 2456	Guide Plate:Exit:Upper	1
5	A353 3354	Driven Roller Holder	1
6	AW01 0091	Photo Reflection Sensor	1
7	AW01 0089	Photosensor - GP2A28C	1
8	D434 5772	Harness:Shift Tray:Paper Feed Sensor	1
9	B706 2323	Discharge Brush:L=320:MM3	1
10	D434 2451	Shaft:Guide Plate:Exit:Upper	1
11	B830 2327	Exit Guide Bracket	1
12	G159 4627	Discharge Brush:Reverse Roller	1
13	AA08 2101	Bushing - 6x10x6	2
14	AW02 0156	Photointerruptor:EE-SX4235A-P2	4
15	D434 5834	Harness:Connecting:Paper Sensor	1
16	B706 1143	Bracket:Sensor:Paper	1
17	B706 1145	Lever:Sensor:Upper	1
18	B706 3172	Actuator Bracket	1
19	B302 1134	Lever Stay	1
20	B830 5568	Stepper Motor DC2.52V 4.5W	1
21	B830 1448	Bracket:Stepper Motor:Drive:Guide Plate	1
22	B830 1456	Timing Belt - 40S2M190	1
23	D434 5773	Harness:Interface:Exit:Guide Plate:Sensor	1
24	B830 1455	Bracket - Home Position Sensor	1
25	B830 1444	Drive Guide Plate - Exit	1
26	B830 1447	Worm Wheel Guide Plate	1
27	B830 1449	Shaft - Worm Wheel	1
28	B830 1451	Worm Wheel - 16Z	1
29	B830 1458	Link - Exit Roller Driven	1
30	B468 2882	Link Bushing	1
31	5447 2681	Snap Ring	1
32	B830 1459	Compression Spring	1
33	B700 3115	Worm Gear:37T	1

Index No.	Part No.	Description	Q'ty Per Assembly
101	0454 3006Q	Tapping Screw - M3x6	
102	0451 4006N	Tapping Screw - 4x6	
103	0451 3006N	Tapping Screw - 3x6	
104	0454 3006N	Tapping Screw:Round Point:3x6	
105	0450 4008N	Tapping Screw - M4x8	
106	0720 0040E	Retaining Ring - M4	
107	1105 0623	Clamp - LBWS-0206S-V0	
108	1105 0518	Edge Saddle - LES-1010	
109	1105 0522	Edge Saddle - LES0510	

## 29. Paper Exit Section 2 (D434)

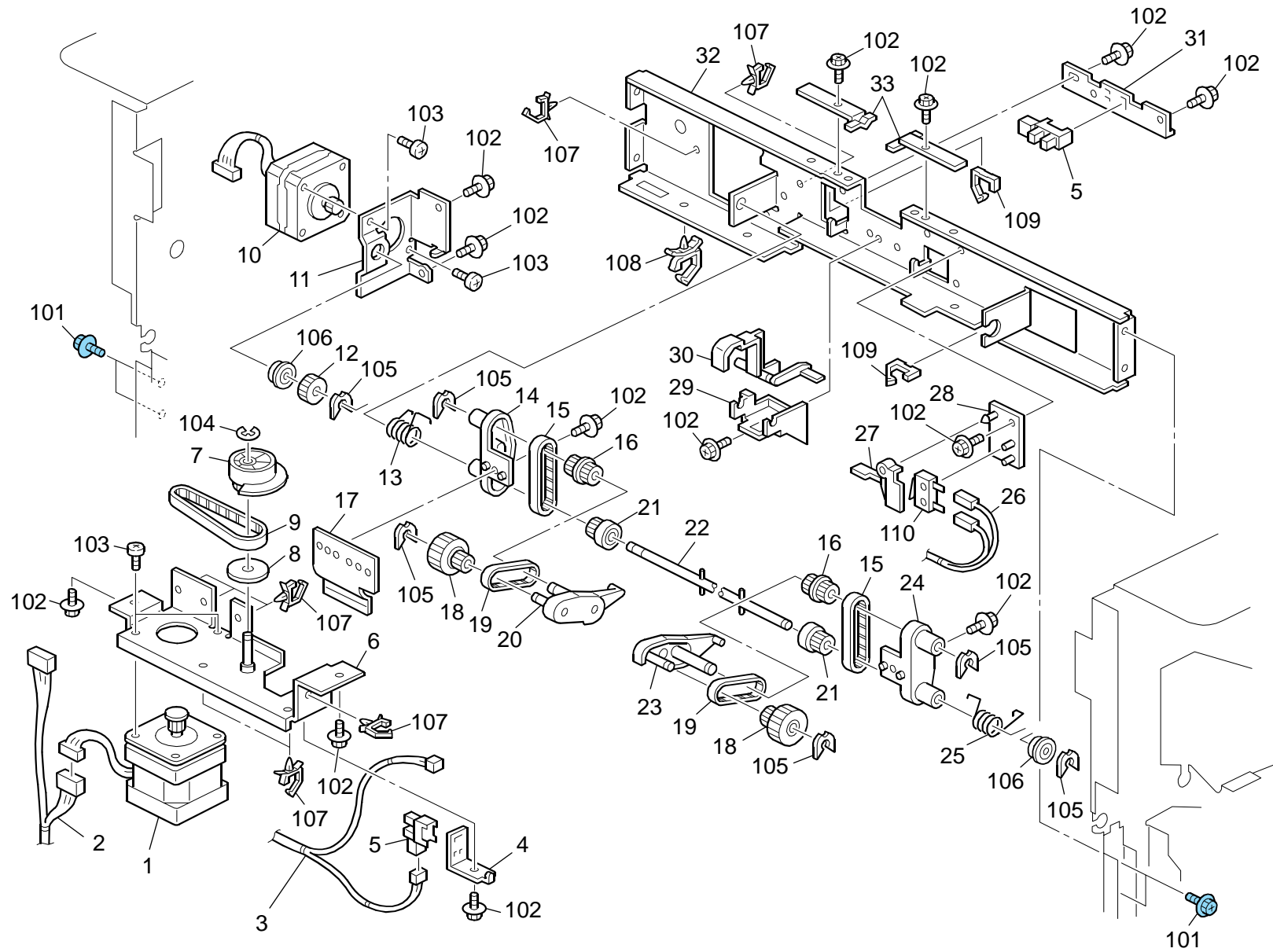


## 29.Paper Exit Section 2 (D434)

Index No.	Part No.	Description	Q'ty Per Assembly
1	B478 6413	Stay:Front Left	1
2	D434 2480	Shaft:Exit Roller	1
3	B302 2305	Middle Exit Roller	2
4	B830 2302	Roller:Exit Roller:Inner:Ass'y	2
5	B468 5991	Harness Bracket	2
6	A697 2260	Pulley - 17T	1
7	B830 1533	Timing Belt - 60S3M171	1
8	B830 1532	Timing Pulley - 26T/17T	1
9	B478 3569	Spacer	1
10	B302 1517	Timing Pulley - 20Z	1
11	B478 2332	Spring Plate:Shift:Exit	1
12	A422 1063	Seal - 0.7x13x20	1
13	D434 2484	Guide Plate:Exit:Lower:Ass'y	1
14	D434 2465	Guide Plate:Exit:Staple:Ass'y	1
15	D434 2421	Transport Roller:380mm:Shift Tray	1

Index No.	Part No.	Description	Q'ty Per Assembly
101	0454 3006Q	Tapping Screw - M3x6	
102	0720 0040E	Retaining Ring - M4	
103	0720 0060E	Retaining Ring - M6	
104	0741 3506	Ball Bearing - 6x12x4 mm	
105	0633 0120G	Parallel Pin - 3x12	
106	0313 0040N	Screw:M3x4	
107	1105 0488	Harness Clamp	

### 30.Paper Exit Section 3 (D434)

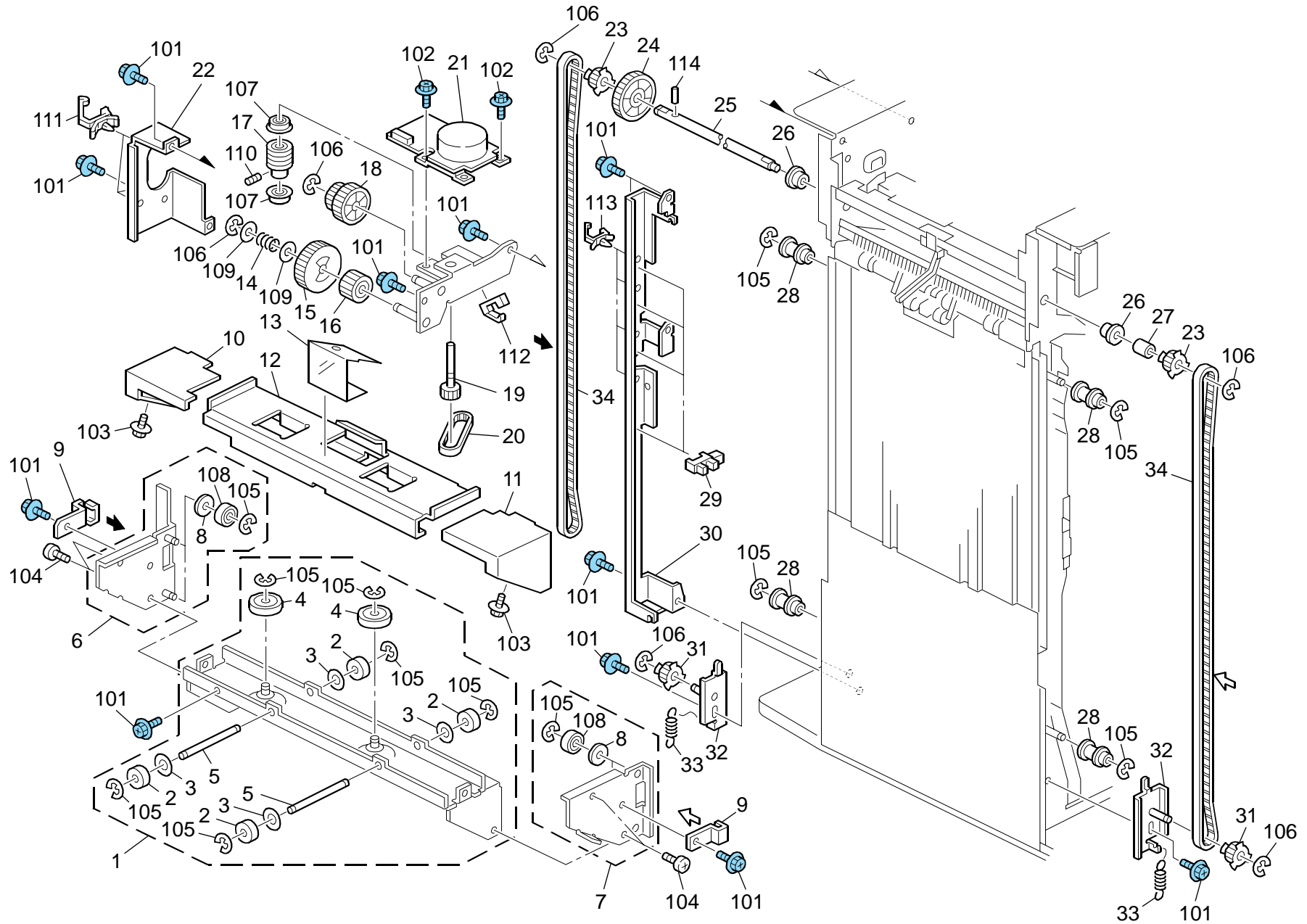


### 30.Paper Exit Section 3 (D434)

Index No.	Part No.	Description	Q'ty Per Assembly
1	B700 5807	Stepper Motor:MM42:S2M:T15:Ass'y	1
2	D434 5768	Harness:Main:Return:Shift:Interface	1
3	D434 5785	Harness:Interface:Return:Sensor	1
4	B478 3568	Bracket:Home Position Sensor	1
5	AW02 0156	Photointerruptor:EE-SX4235A-P2	2
6	B830 3561	Stepper Motor Bracket	1
7	B830 3579	Lever Cam	1
8	B478 3569	Spacer	1
9	B700 4428	Timing Belt:B40S2M158	1
10	B830 5570	Stepper Motor DC3.1V 7.4W	1
11	B830 3587	Stepper Motor Bracket	1
12	B478 3522	Gear:Z35	1
13	B478 3524	Torsion Spring:Plate:Lever:Back	1
14	B478 3507	Lever:Drive:Gathering Roller:Back	1
15	B830 3504	Timing Belt - 40S2M100	2
16	B478 3502	Pulley:Driven:Roller:Sponge	2
17	B830 3510	Coupling Lever Bracket	1
18	B830 3503	Sponge Gathering Roller	2
19	B830 3505	Timing Belt - 40S2M84	2
20	B478 3509	Lever:Driven:Gathering Roller:Back	1
21	B478 3501	Pulley:Drive:Roller:Sponge	2
22	B830 3520	Gathering Roller Shaft	1
23	B478 3508	Lever:Driven:Gathering Roller:Front	1
24	B478 3506	Lever:Drive:Gathering Roller:Front	1
25	B478 3523	Torsion Spring:Plate:Lever:Front	1
26	D434 5818	Harness:Interface:Safety Switch	1
27	B478 3582	Lever:Micro Switch	1
28	B478 3581	Bracket:Micro Switch	1
29	B478 3553	Bracket:Feeler:Paper Sensor	1
30	B478 3555	Feeler:Paper Sensor	1
31	B478 3576	Bracket:Sensor:Paper Sensor	1
32	D434 3405	Stay	1
33	B478 3511	Cam:Gathering Roller:Drive	2

Index No.	Part No.	Description	Q'ty Per Assembly
101	0454 3006Q	Tapping Screw - M3x6	
102	0451 3006N	Tapping Screw - 3x6	
103	0353 0040N	Screw - M3x4	
104	0720 0040E	Retaining Ring - M4	
105	0805 0089	Retaining Ring - M4	
106	0741 3706	Ball Bearing - 6x10x3	
107	1105 0623	Clamp - LBWS-0206S-V0	
108	1105 0487	Harness Clamp	
109	1105 0514	Edge Saddle - EDS-0607L	
110	1204 2544	Switch - DE2L-BJ23	

# 31.Shift Tray 1 (D434)



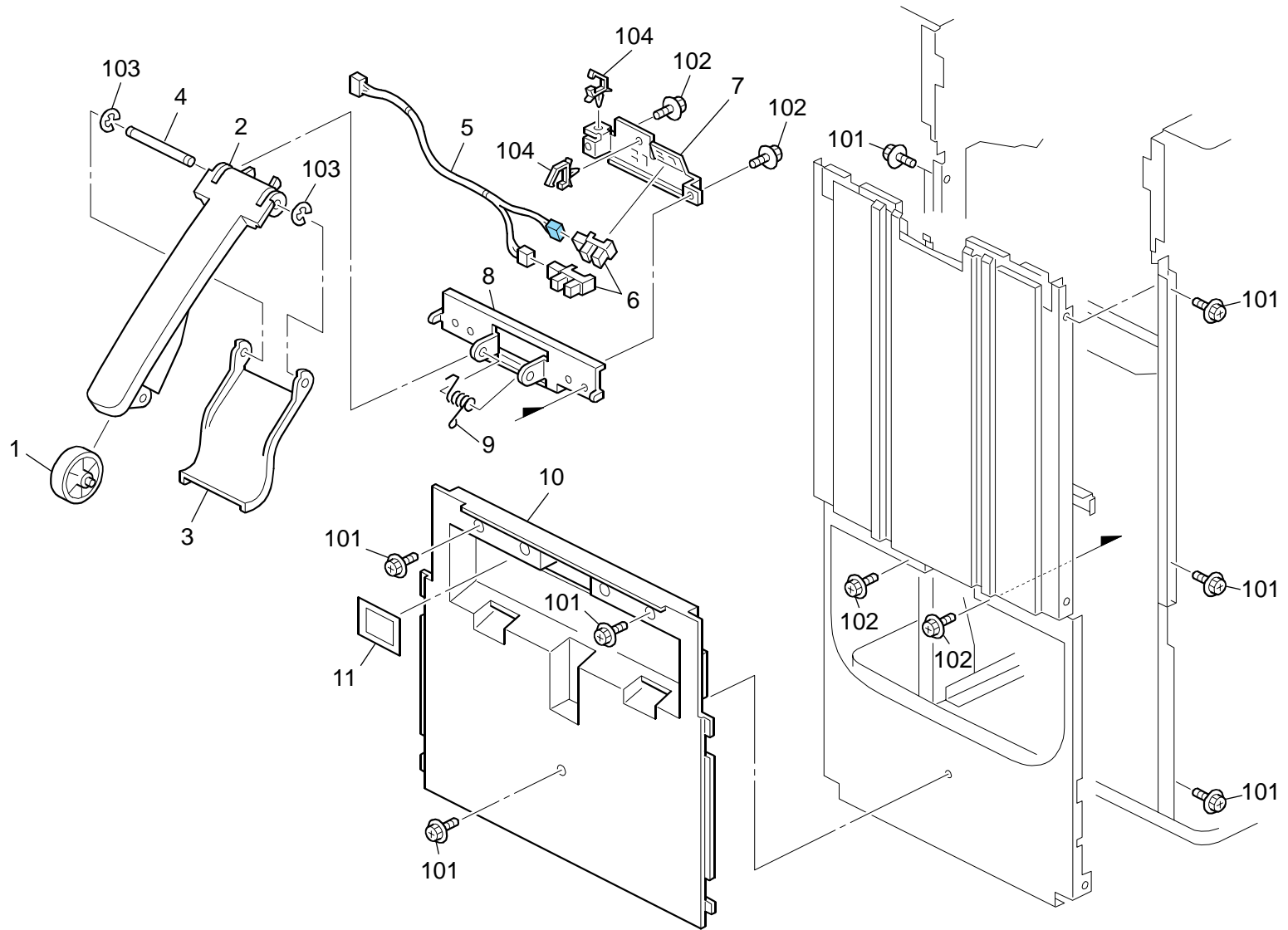
### 31.Shift Tray 1 (D434)

Index No.	Part No.	Description	Q'ty Per Assembly
1	D434 3310	Base:Shift Tray:Ass'y	1
2	A353 3272	Guide Roller	4
3	AA13 2024	Spacer - M6	4
4	B830 3315	Roller	2
5	B706 3271	Tray Shift Shaft	2
6	D434 3330	Side Plate:Shift Tray:Rear:Ass'y	1
7	D434 3320	Side Plate:Shift Tray:Front:Ass'y	1
8	B830 3322	Guide:Shift Tray:Upper Lower	4
9	A697 3150	Fixing Plate - Timing Belt	2
10	D434 6761	Cover:Shift Tray:Rear	1
11	D434 6711	Cover:Shift Tray:Front	1
12	B706 3126	Shift Tray Holder	1
13	B478 3113	Shift Tray Guide Holder	1
14	D434 3113	Compression Spring:Shift Tray:Upper Lower	1
15	A697 3140	Gear - 30Z	1
16	A697 3135	Gear - 18Z	1
17	A300 2736	Worm Gear	1
18	A697 3145	Gear - 36Z/18Z	1
19	D434 3116	Timing Pulley:Worm Gear	1
20	AA04 3627	Timing Belt - B40S2M148	1
21	AX06 0380	DC Brushless Motor:DC24V:28W	1
22	B830 3162	Guard:Tray Bracket - Upper Lower	1
23	A697 3180	Pulley - 18T	2
24	A697 3170	Gear - 42Z	1
25	D434 3125	Shaft:Upper Lower:Drive	1
26	C203 5135	Bushing - 10x14x5.9	2
27	A697 3175	Spacer - 10x14x13.5mm	1
28	A548 2139	Pulley	4
29	AW02 0114	Photo Interruptor - Lower Limit	4
30	D434 3131	Bracket:Sensor:Paper Volume Sensor	1
31	A697 3185	Pulley - 18T	2
32	D434 3141	Tightener:Tray:Ass'y	2
33	D434 4790	Tension Spring:10.5N	2
34	D434 3156	Timing Belt:60S5M1595	2

Index No.	Part No.	Description	Q'ty Per Assembly
101	0454 3006Q	Tapping Screw - M3x6	
102	0454 4008Q	Tapping Screw - M4x8	
103	0451 3008N	Tapping Screw - M3x8	
104	0353 0060N	Bind Screw - M3x6	
105	0720 0040E	Retaining Ring - M4	
106	0720 0060E	Retaining Ring - M6	
107	0741 3706	Ball Bearing - 6x10x3	
108	0740 3906	Ball Bearing - 6x15x5	
109	0807 5056	Washer - 8.1mm	
110	0574 0040E	Hexagon Headless Set Screw - M4x4	
111	1105 0488	Harness Clamp	
112	1105 0522	Edge Saddle - LES0510	
113	1105 0623	Clamp - LBWS-0206S-V0	
114	0634 0200G	Parallel Pin - 4x20	



## 32.Shift Tray 2 (D434)

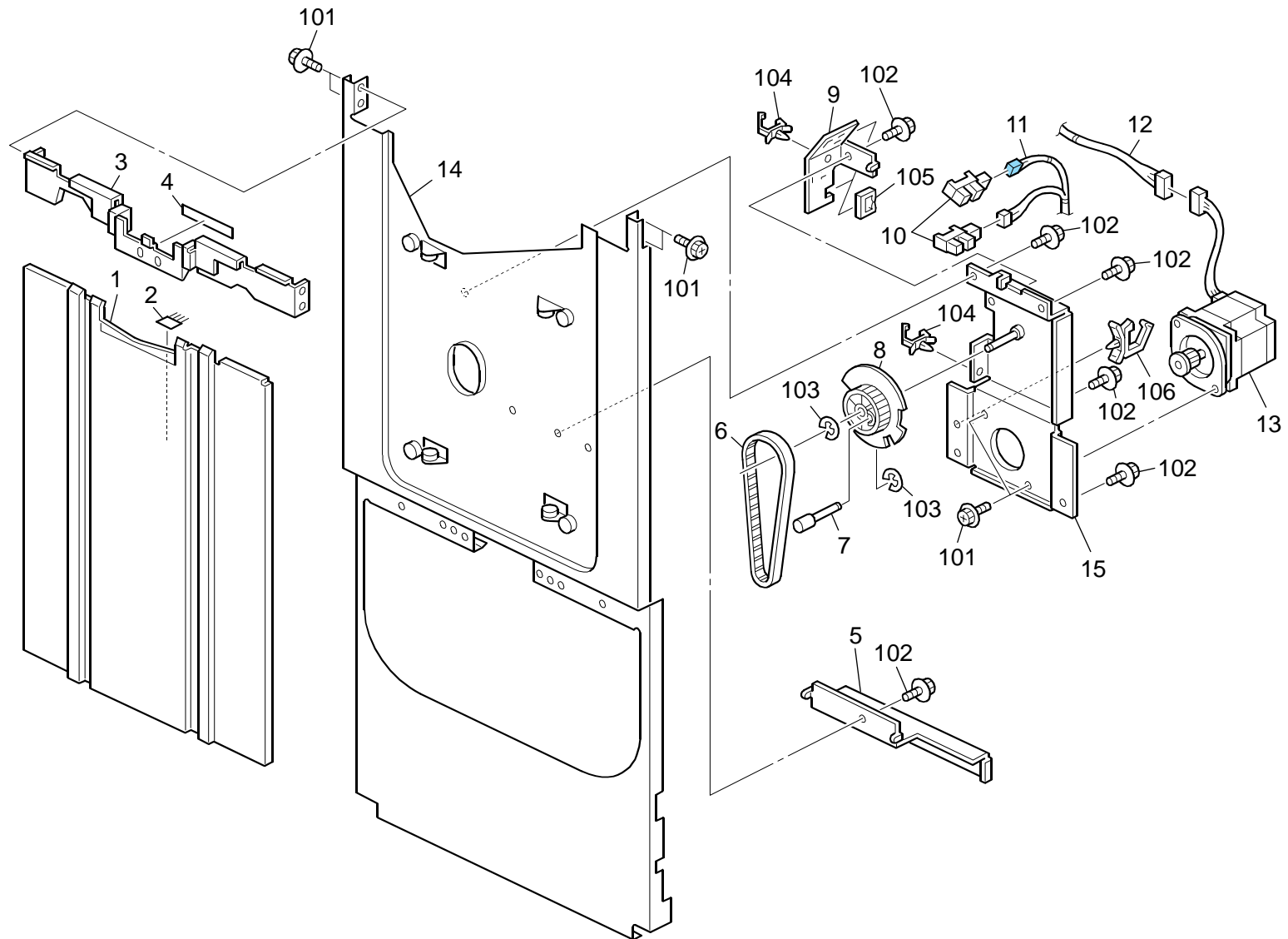


### 32.Shift Tray 2 (D434)

Index No.	Part No.	Description	Q'ty Per Assembly
1	B700 3730	Roller:Plate:Paper Exit Sub-unit	1
2	B804 3720	Arm:Paper Sensor:Paper Exit Sub-unit: Paper Crimp	1
3	B700 3725	Arm:Plate:Paper Exit Sub-unit	1
4	B700 3715	Shaft:Arm:Paper Exit Sub-unit	1
5	D434 5783	Harness:Connecting:Middle:Bind:Sensor	1
6	AW02 0156	Photointerruptor:EE-SX4235A-P2	2
7	B700 3710	Bracket:Surface Of Paper Sensor	1
8	D434 5481	Guide Plate:Paper Exit:Paper Crimp	1
9	B700 3740	Spring:Arm:16mN.m	1
10	D434 6501	End Fence:Paper Crimp Sub-unit	1
11	D434 7820	Decal:Caution:Paper Exit Sub-unit	1

Index No.	Part No.	Description	Q'ty Per Assembly
101	0451 3008N	Tapping Screw - M3x8	
102	0451 3006N	Tapping Screw - 3x6	
103	0720 0040E	Retaining Ring - M4	
104	1105 0623	Clamp - LBWS-0206S-V0	

### 33.Shift Tray 3 (D434)

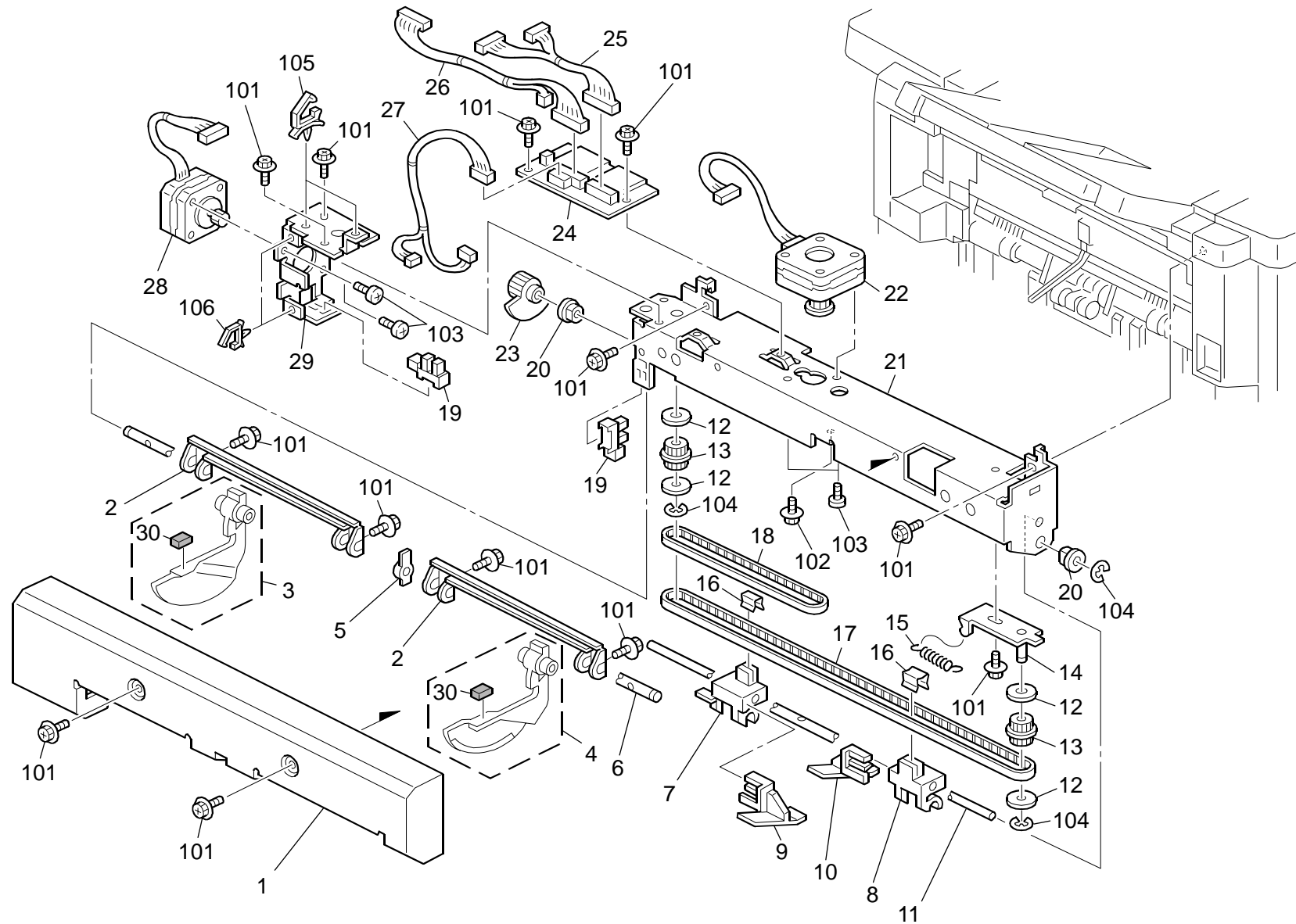


### 33.Shift Tray 3 (D434)

Index No.	Part No.	Description	Q'ty Per Assembly
1	D434 3261	End Fence:Ass'y	1
2	G052 4892	Discharge Brush:Exit:Small	1
3	B830 3415	Cover - Exit Roller	1
4	B478 3101	Spacer:Gathering Roller:Shift Tray	1
5	D434 3226	Guide:Guide Plate:Vertical Transport	1
6	B890 4094	Timing Belt:B60S3M297	1
7	D434 3242	Shaft:Shift	1
8	B830 3241	Timing Pulley - 43T	1
9	D434 3216	Bracket:Sensor:Shift	1
10	AW02 0156	Photointerruptor:EE-SX4235A-P2	2
11	D434 5786	Harness:Interface:Shift:Hp Sensor	1
12	D434 5767	Harness:Interface:Shift:Motor	1
13	B830 5563	Stepper Motor DC3.84V 9.2W	1
14	D434 3221	Stay:End Fence:Ass'y	1
15	D434 3273	Bracket:Motor:Shift:Ass'y	

Index No.	Part No.	Description	Q'ty Per Assembly
101	0451 4006N	Tapping Screw - 4x6	
102	0451 3006N	Tapping Screw - 3x6	
103	0720 0030E	Retaining Ring - M3	
104	1105 0623	Clamp - LBWS-0206S-V0	
105	1105 0328	Harness Clamp - ES-0505	
106	1105 0487	Harness Clamp	

### 34.Jogger Section (D434)



### 34.Jogger Section (D434)

Index No.	Part No.	Description	Q'ty Per Assembly
1	B830 3731	Cover - Uniform Unit	1
2	B830 3676	Lever - Jogger Fence	2
3	B830 3685	Jogger Fence - Inner Back	1
4	B830 3680	Jogger Fence - Front	1
5	B352 3572	Bushing - 6mm	1
6	B830 3671	Shaft - Jogger Fence Moveable	1
7	B830 3646	Jogger Fence Holder - Rear	1
8	B830 3641	Jogger Fence Holder - Front	1
9	B830 3692	Jogger Fence:Exit:Guide:Inner Back	1
10	B830 3691	Jogger Fence:Exit:Guide:Front	1
11	B830 3631	Slide Shaft	1
12	B478 3569	Spacer	4
13	B513 1154	Pulley:T30:S2M	2
14	B830 3711	Tensioner Bracket	1
15	B830 3751	Tension Spring	1
16	A300 3634	Spring Plate - Timing Belt	2
17	B830 3726	Timing Belt - 40S2M848	1
18	B703 1165	Timing Belt:B40S2M390	1
19	AW02 0156	Photointerruptor:EE-SX4235A-P2	2
20	5053 0447	Bushing - 6mm	2
21	B830 3611	Frame - Jogger Uniform	1
22	B830 5569	Stepper Motor DC3.3V 3.9W	1
23	B830 3651	Gear - 35Z	1
24	B830 5120	PCB Jogger	1
25	B830 5282	Harness - Motor	1
26	B830 5281	Harness - Motor Control	1
27	B830 5280	Harness - Sensor	1
28	B830 5570	Stepper Motor DC3.1V 7.4W	1
29	B830 3697	Stepper Motor Bracket	1
30	B830 3688	Cushion:Jogger Fence	2

Index No.	Part No.	Description	Q'ty Per Assembly
101	0451 3006N	Tapping Screw - 3x6	
102	0451 3008N	Tapping Screw - M3x8	
103	0313 0040N	Screw:M3x4	
104	0720 0040E	Retaining Ring - M4	
105	1105 0516	Clamp	
106	1105 0623	Clamp - LBWS-0206S-V0	



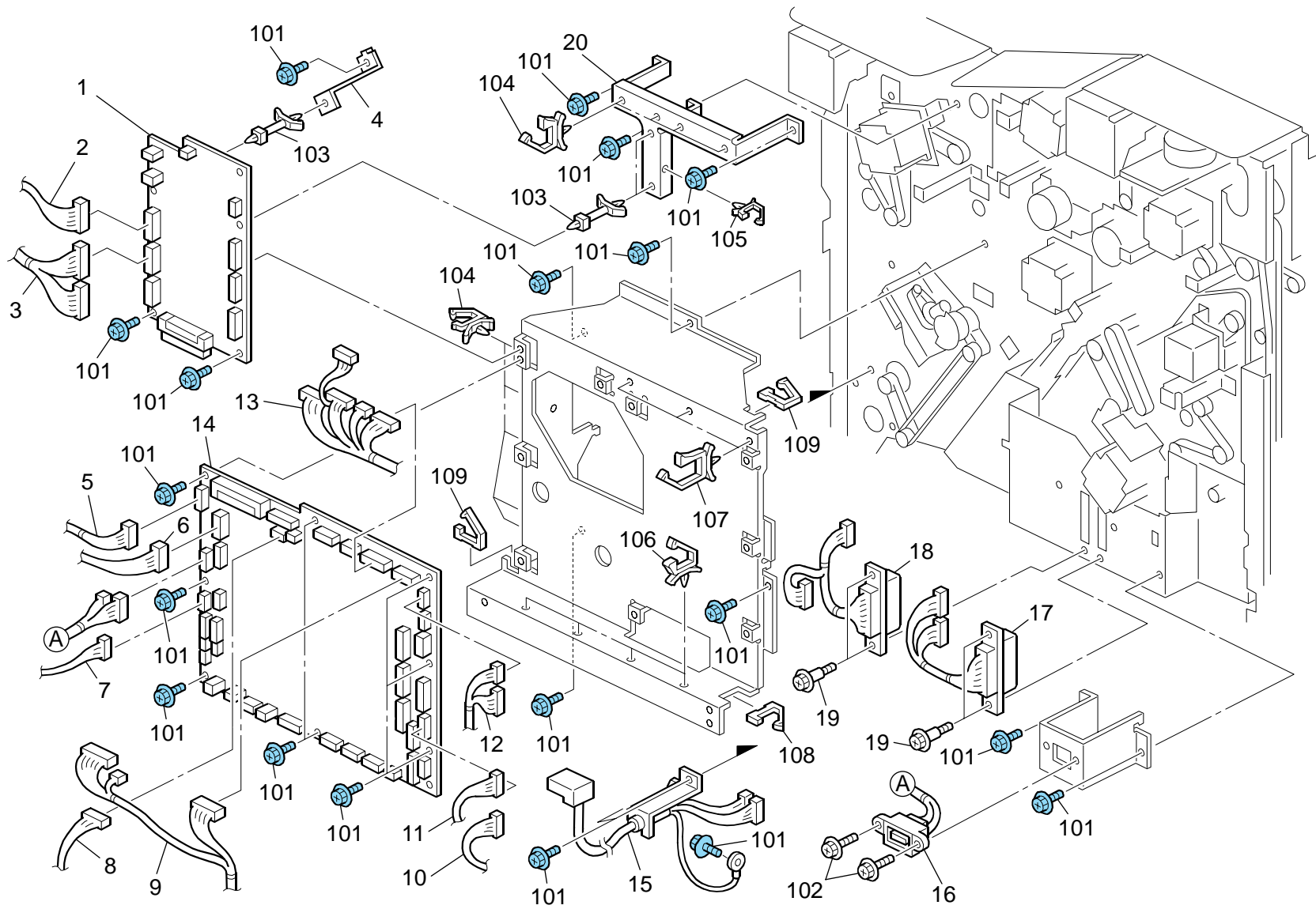
### 35. Drive Section (D434)

Index No.	Part No.	Description	Q'ty Per Assembly
1	B830 5562	Stepper Motor DC1.56V 3.7W	5
2	B830 1533	Timing Belt - 60S3M171	2
3	B830 6511	Stay - Rear Upper	2
4	AB03 0722	Pulley - 13MM	1
5	B889 1432	Timing Belt:B60S3M771	1
6	B468 5991	Harness Bracket	6
7	B830 4884	Timing Belt - 60S3M204	1
8	B706 1555	Bracket:Tightener	1
9	D434 4790	Tension Spring:10.5N	1
10	B830 1135	Screw	1
11	A458 3281	Idler Roller	1
12	B830 1531	Stepper Motor Bracket	1
13	B830 1534	Timing Belt - 60S3M216	1

Index No.	Part No.	Description	Q'ty Per Assembly
101	0454 3006Q	Tapping Screw - M3x6	
102	0451 4006N	Tapping Screw - 4x6	
103	0720 0040E	Retaining Ring - M4	
104	0720 0060E	Retaining Ring - M6	
105	1105 0195	PCB Stud	
106	1105 0488	Harness Clamp	
107	1105 0623	Clamp - LBWS-0206S-V0	



# 36.Electrical Section (D434)

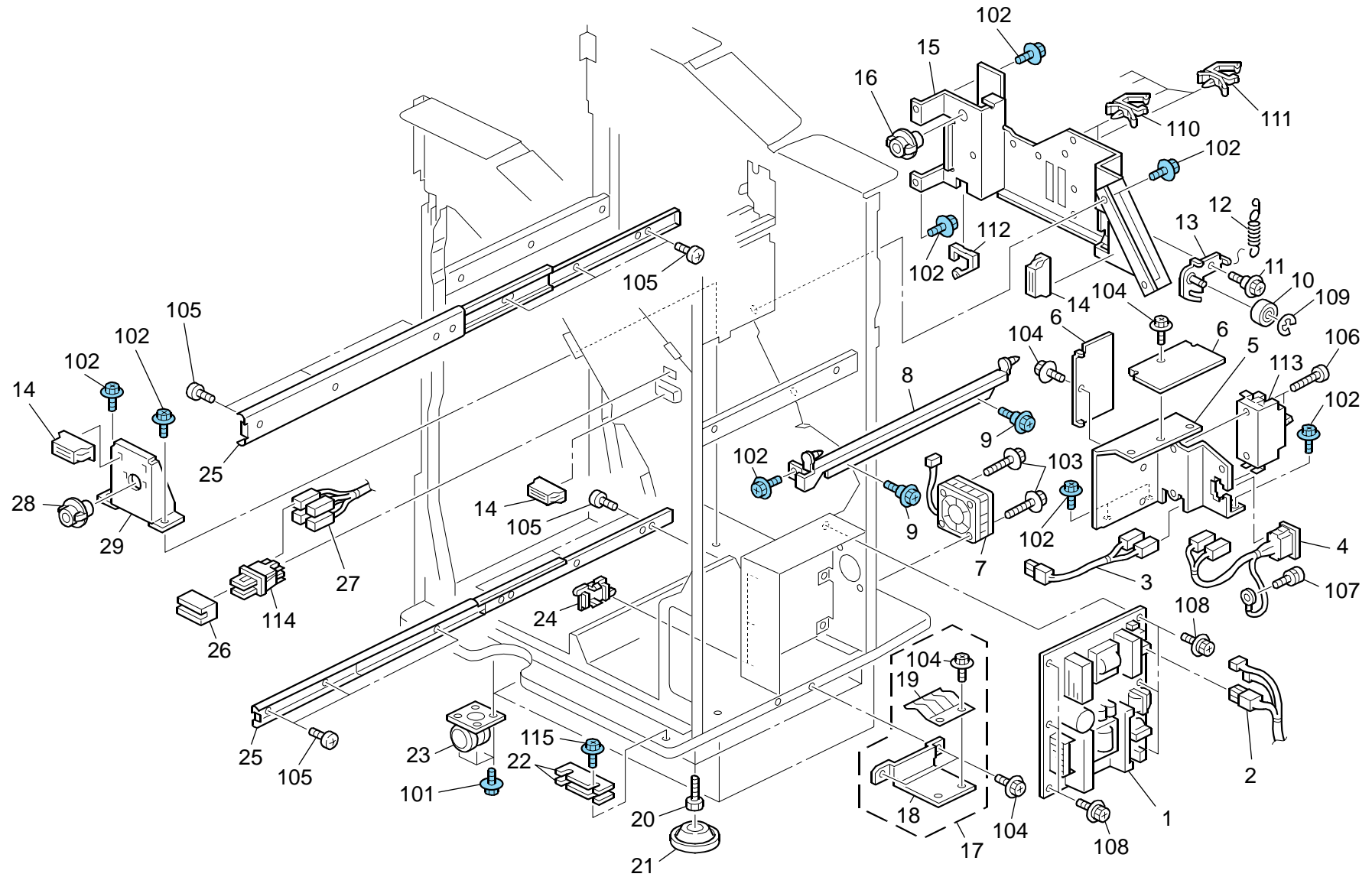


### 36.Electrical Section (D434)

Index No.	Part No.	Description	Q'ty Per Assembly
1	D434 5515	PCB:Sub	1
2	D434 5815	Harness:Sub:Transport Section:Motor	1
3	D434 5836	Harness:Sub:Entrance:Transport Section	1
4	B468 5991	Harness Bracket	1
5	D434 5835	Harness:Proof Tray:Entrance Sensor	1
6	D434 5819	Harness:Main:Punch:Base	1
7	D434 5857	Harness:Shift Tray:Overflow:Sensor	1
8	D434 5777	Harness:Main:Gate Pawl:Sensor:Interface	1
9	D434 5855	Harness:Side Plate	1
10	D434 5784	Harness:Main:Shift Tray:Sensor:Interface	1
11	D434 5781	Harness:Bind:Overflow:Sensor:Connecting	1
12	D434 5768	Harness:Main:Return:Shift:Interface	1
13	D434 5769	Harness:Main:Side Plate:Motor	1
14	D434 5500	PCB:Main Control	1
15	D434 5854	Harness:Interface:Ass'y	1
16	D434 5843	Harness:Main:TRIMER	1
17	D434 5787	Harness:Main:Drawer:Connector:A0	1
18	D434 5803	Harness:Main Control Board:Drawer:B0	1
19	B700 1163	Screw:Connector	4
20	B830 5813	Harness Bracket - Upper	1

Index No.	Part No.	Description	Q'ty Per Assembly
101	0454 3006Q	Tapping Screw - M3x6	
102	0451 3008N	Tapping Screw - M3x8	
103	1105 0299	Locking Card Spacer - KGLS-18S	
104	1105 0488	Harness Clamp	
105	1105 0623	Clamp - LBWS-0206S-V0	
106	1105 0489	Harness Clamp - LWS 1316	
107	1105 0517	Harness Clamp - LWS-2111Z	
108	1105 0521	Clamp - LES-1017	
109	1105 0522	Edge Saddle - LES0510	

# 37.Frame Section (D434)



### 37.Frame Section (D434)

Index No.	Part No.	Description	Q'ty Per Assembly
1	AZ25 0042	Power Supply Unit:COLUMBIA:600W:UNV	1
2	D434 5817	Harness:Main:Sub:Power Supply Unit	1
3	D434 5844	Harness:Leak Breaker:Power Supply Unit	1
4	D434 5845	Harness:Inlet:Leak Breaker	1
5	D434 5565	Bracket:Leak Breaker	1
6	D434 5566	Cover:Leak Breaker	2
7	AX64 0170	Fan Motor - MM60 DC24V	1
8	B835 1181	Coupling Lever	1
9	B830 1135	Screw	2
10	AB03 0550	Idle Pulley	1
11	AA14 3790	Screw:Contact Point	1
12	D434 4539	Tension Spring:Stopper:Leading Edge	1
13	B706 1555	Bracket:Tightener	1
14	AG07 1012	Magnet Catch:Ass'y	3
15	D434 1251	Bracket:Positioning:Stapler Unit:Upper	1
16	B478 1174	Holder:Coupling:Upper	1
17	D434 1450	Bracket:Ground Plate:Ass'y	1
18	D434 1451	Bracket:Ground Plate	1
19	B302 1163	Grounding Plate	1
20	B706 1156	Hexagonal Bolt - M12x30	4
21	B132 1226	Holder:Stand	4
22	B830 7537	Adjusting Plate:Bracket:Coupling	2
23	AH01 2014	Caster - 60kgf	4
24	G060 5862	Cap - PSU	3
25	D434 1326	Slide Rail:Stapler Unit	2
26	D355 1325	Cover:Push Switch	1
27	D434 5797	Harness:Main:Safety Switch	1
28	B478 1175	Holder:Coupling:Lower	1
29	B478 1172	Bracket:Coupling:Lower	1

Index No.	Part No.	Description	Q'ty Per Assembly
101	0454 4008Q	Tapping Screw - M4x8	
102	0454 3006Q	Tapping Screw - M3x6	
103	0451 3030N	Tapping Screw:3x30	
104	0451 3006N	Tapping Screw - 3x6	
105	0453 4008N	Binding Self Tapping Screw:4x8	
106	0354 0200N	Screw:M4x20	
107	0954 4008N	Screw - M4x8	
108	0804 6123	Hexagonal Bolt:W/Washer:M3x8	
109	0720 0060E	Retaining Ring - M6	
110	1105 0489	Harness Clamp - LWS 1316	
111	1105 0488	Harness Clamp	
112	1105 0518	Edge Saddle - LES-1010	
113	1107 1280	Fuse:BJS1512F2	
114	1204 2842	Switch:FA1L-CJAG	
115	0454 3008Q	Tapping Screw:3x8	

# Parts Index

## Parts Index

Part No.	Description	Page and Index No.
D434 1251	Bracket:Positioning:Stapler Unit:Upper	75 - 15
D434 1326	Slide Rail:Stapler Unit	75 - 25
D434 1381	Cover:Entrance:Lower	5 - 9
D434 1431	Base:Holder:Hopper	23 - 17
D434 1436	Compression Spring:Holder:Hopper	23 - 18
D434 1450	Bracket:Ground Plate:Ass'y	75 - 17
D434 1451	Bracket:Ground Plate	75 - 18
D434 1476	Bracket:Coupling:Main:Ass'y	3 - 6
D434 1911	Timing Belt:60S3M402	21 - 21
D434 1952	Bracket:Worm Gear:Pressure Release:Ass'y	21 - 23
D434 1956	Cam:Eccentric:Front	21 - 14
D434 1957	Cam:Eccentric:Rear	21 - 17
D434 1958	Shaft:Pressure Release	21 - 10
D434 2111	Guide Plate:Entrance:Upper	7 - 3
D434 2115	Tension Spring:Entrance:2N	7 - 5
D434 2121	Guide Plate:Registration:Open And Close	7 - 7
D434 2125	Seal:0.188mm:Guide Plate:Registration	7 - 9
D434 2127	Supporting Plate:Guide Plate:Open And Close	11 - 16
D434 2129	Supporting Plate:Guide Plate:Open And Close	7 - 13
D434 2131	Guide Plate:Entrance:Lower:Ass'y	9 - 8
D434 2136	Discharge Brush:Exit	9 - 9
D434 2141	Transport Roller:380mm:Entrance	15 - 15
D434 2141	Transport Roller:380mm:Entrance	9 - 12
D434 2211	Guide Plate:Horizontal:Ass'y	9 - 1
D434 2221	Transport Roller:Registration:Drive	9 - 7
D434 2240	Driven Roller:Registration:Ass'y	9 - 3
D434 2251	Arm:Pressure:Driven Roller	9 - 2
D434 2261	Holder:Driven Roller:Registration	9 - 6
D434 2266	Bushing:Driven Roller:Registration	9 - 4
D434 2311	Guide Plate:Gate:Front:Ass'y	17 - 7
D434 2326	Guide Plate:Gate:Upper:Open And Close	11 - 21
D434 2327	Compression Spring:1.5N	11 - 18
D434 2331	Gate Pawl:Staple	11 - 9
D434 2341	Gate Pawl:Proof Tray	13 - 9
D434 2421	Transport Roller:380mm:Shift Tray	59 - 15

Part No.	Description	Page and Index No.
D434 2431	Guide Plate:Shift Tray:Open And Close: Sub-ass'y	15 - 9
D434 2433	Guide Plate:Shift Tray:Lower:Fix	15 - 14
D434 2437	Compression Spring:2.5N	15 - 11
D434 2437	Compression Spring:2.5N	11 - 5
D434 2451	Shaft:Guide Plate:Exit:Upper	57 - 10
D434 2456	Guide Plate:Exit:Upper	57 - 4
D434 2465	Guide Plate:Exit:Staple:Ass'y	59 - 14
D434 2480	Shaft:Exit Roller	59 - 2
D434 2484	Guide Plate:Exit:Lower:Ass'y	59 - 13
D434 2511	Transport Roller:Proof Tray:Drive	15 - 8
D434 2521	Transport Roller:Proof Tray:Drive:Rear	15 - 7
D434 2531	Guide Plate:Proof Tray:Open And Close: Sub-ass'y	11 - 1
D434 2535	Torsion Spring:Proof Tray	11 - 6
D434 2541	Guide Plate:Proof Tray:Lengthwise	13 - 7
D434 2553	Guide Plate:Exit:Proof Tray	13 - 3
D434 2561	Bracket:Paper Feed Sensor:Proof Tray	15 - 2
D434 2562	End Plate:Exit:Proof Tray	15 - 1
D434 2571	Exit Roller:Proof Tray	15 - 6
D434 2606	Guide Plate:Lengthwise Upper: Open And Close:Ass'y	19 - 6
D434 2607	Guide Plate:Lengthwise Lower: Open And Close:Ass'y	21 - 1
D434 2611	Guide Plate:Turn:Upper:Open And Close	17 - 2
D434 2612	Mylar:Guide Plate:Turn	17 - 15
D434 2613	Discharge Brush:Turn	17 - 6
D434 2615	Tension Spring:Turn:6.3N	17 - 3
D434 2621	Guide Plate:Turn:Rear	17 - 11
D434 2625	Discharge Brush:Turn:Rear	17 - 12
D434 2630	Polarization Powl:Pre Stack	19 - 3
D434 2635	Tension Spring:Polarization Powl:Pressure	19 - 2
D434 2641	Guide Plate:Duplex Stack:Upper	17 - 8
D434 2651	Guide Plate:Duplex Stack:Lower	19 - 11
D434 2665	Compression Spring:6N	19 - 9

Part No.	Description	Page and Index No.
D434 2665	Compression Spring:6N	21 - 4
D434 2665	Compression Spring:6N	25 - 12
D434 2681	Guide Plate:Lengthwise:Ass'y	21 - 7
D434 2711	Transport Roller:Turn	19 - 1
D434 2721	Driven Roller:Duplex Stack:Upper	21 - 28
D434 2731	Transport Roller:Duplex Stack:Upper	21 - 8
D434 2733	Arm:Pressure:Transport Roller	21 - 12
D434 2735	Compression Spring:8n	21 - 13
D434 2739	Link:Pressure Release	21 - 11
D434 2741	Transport Roller:Pre Stack:Lower	17 - 1
D434 2741	Transport Roller:Pre Stack:Lower	21 - 9
D434 3113	Compression Spring:Shift Tray:Upper Lower	63 - 14
D434 3116	Timing Pulley:Worm Gear	63 - 19
D434 3125	Shaft:Upper Lower:Drive	63 - 25
D434 3131	Bracket:Sensor:Paper Volume Sensor	63 - 30
D434 3141	Tightener:Tray:Ass'y	63 - 32
D434 3156	Timing Belt:60S5M1595	63 - 34
D434 3216	Bracket:Sensor:Shift	67 - 9
D434 3221	Stay:End Fence:Ass'y	67 - 14
D434 3226	Guide:Guide Plate:Vertical Transport	67 - 5
D434 3242	Shaft:Shift	67 - 7
D434 3261	End Fence:Ass'y	67 - 1
D434 3273	Bracket:Motor:Shift:Ass'y	67 - 15
D434 3310	Base:Shift Tray:Ass'y	63 - 1
D434 3320	Side Plate:Shift Tray:Front:Ass'y	63 - 7
D434 3330	Side Plate:Shift Tray:Rear:Ass'y	63 - 6
D434 3405	Stay	61 - 32
D434 4106	Stopper:Stapler Unit	45 - 16
D434 4116	Bracket:Connector:Stapler Tray:Moveable	45 - 14
D434 4126	Bracket:Caster	31 - 15
D434 4151	Guide Plate:Exit:Lower:Stapler Tray	25 - 17
D434 4157	Guide Plate:Connecting	25 - 16
D434 4162	Bracket:Paper Feed Sensor:Stapler Tray	25 - 13
D434 4166	Guide Plate:Exit:Staple	25 - 9
D434 4171	Stay:Guide Plate:Exit:Staple	25 - 7

Part No.	Description	Page and Index No.
D434 4172	Torsion Spring:Staple:Exit	25 - 19
D434 4181	Exit Roller:Lower:Sub-ass'y	25 - 4
D434 4191	Inner Cover:Stapler Tray Unit	23 - 1
D434 4211	Cover:Stapler:Rear	37 - 1
D434 4221	Stapler Tray:Rear	31 - 11
D434 4231	Stapler Tray:Front	31 - 10
D434 4241	Sound Proofing Material:Pressure Sub-unit	31 - 12
D434 4246	Grip:Slider:Ass'y	39 - 18
D434 4250	Stapler Tray:Middle:Ass'y	35 - 13
D434 4261	Standard Fence:Moveable	33 - 12
D434 4262	Slider:Standard Fence:Moveable	33 - 14
D434 4263	Shaft:Guide:Standard Fence:Moveable	33 - 13
D434 4264	Pulley:T18:T28	33 - 21
D434 4265	Timing Belt:40S3M237	33 - 16
D434 4270	Bracket:Motor:Standard Fence	33 - 18
D434 4315	Shaft:Standard Fence:Slide:Front	33 - 2
D434 4316	Shaft:Standard Fence:Slide:Rear	33 - 1
D434 4317	Bracket:Sensor:Exit Belt	33 - 28
D434 4318	Bracket:Sensor:Pawl:Stopper	35 - 21
D434 4321	Standard Fence:Front	33 - 29
D434 4325	Slider:Standard Fence:Front	33 - 6
D434 4331	Standard Fence:Rear	33 - 30
D434 4335	Slider:Standard Fence:Rear	33 - 5
D434 4341	Standard Fence:Rear:Auxiliary	33 - 31
D434 4345	Slider:Standard Fence:Auxiliary	33 - 4
D434 4356	Shaft:Stapler:Move	39 - 10
D434 4361	Hook:Slider:Standard Fence:Rear	39 - 30
D434 4415	Tensioner:Jogger Fence:Ass'y	31 - 23
D434 4419	Timing Belt:60S3M552	31 - 18
D434 4451	Shaft:Jogger Fence:Slide	31 - 13
D434 4465	Guide:Plate:Jogger:Lower	31 - 7
D434 4470	Jogger Fence:Front:Ass'y	31 - 2
D434 4472	Guide:Plate:Jogger:Upper	31 - 4
D434 4473	Film:Guide:Jogger:Upper	31 - 3
D434 4490	Jogger Fence:Rear:Ass'y	31 - 1

Part No.	Description	Page and Index No.
D434 4510	Pawl:Stopper:Ass'y	35 - 24
D434 4511	Shaft:Stopper:Leading Edge:Drive:Ass'y	35 - 18
D434 4530	Tensioner:Stopper:Leading Edge:Rear	35 - 12
D434 4535	Tensioner:Stopper:Leading Edge:Front	35 - 7
D434 4539	Tension Spring:Stopper:Leading Edge	35 - 8
D434 4539	Tension Spring:Stopper:Leading Edge	75 - 12
D434 4550	Exit Belt:Ass'y	35 - 15
D434 4553	Shaft:Exit:Drive	35 - 3
D434 4555	Shaft:Exit Belt:Upper:Ass'y	35 - 10
D434 4557	Timing Pulley:T19:S3M	35 - 4
D434 4561	Bracket:Shaft:Exit:Upper:Ass'y	35 - 16
D434 4565	Tensioner:Exit:Ass'y	33 - 24
D434 4567	Timing Belt:60S3M324	35 - 17
D434 4568	Timing Pulley:T30:S3M	35 - 2
D434 4569	Timing Pulley:Exit Belt:T56	35 - 11
D434 4606	Guide:Leading Edge:Fix	29 - 19
D434 4612	Bracket:Positioning Roller:Drive	29 - 6
D434 4621	Bracket:Positioning Roller	29 - 16
D434 4622	Arm:Positioning Roller:Ass'y	29 - 10
D434 4625	Shaft:Positioning Roller:Drive	29 - 13
D434 4641	Inner Cover:Positioning Roller Unit	23 - 7
D434 4653	Shaft:Vibrating Plate:Both Ends	27 - 9
D434 4655	Shaft:Vibrating Plate:Middle:Upper	27 - 10
D434 4656	Shaft:Vibrating Plate:Middle:Lower	27 - 5
D434 4660	Vibrating Plate:Middle:Upper:Ass'y	27 - 12
D434 4662	Vibrating Plate:Middle:Lower	27 - 1
D434 4663	Slider:Vibrating Plate:Middle	27 - 3
D434 4671	Vibrating Plate:Both Ends	27 - 7
D434 4691	Inner Cover:Swing Unit	23 - 8
D434 4730	Guide Plate:Pressure:Transport	41 - 6
D434 4731	Tension Spring:1.02N	41 - 5
D434 4736	Timing Belt:60S3M192	41 - 10
D434 4736	Timing Belt:60S3M192	9 - 15
D434 4737	Compression Spring:30.84N	41 - 19
D434 4741	Shaft:Drive:Transport Roller:Pressure	41 - 16

Part No.	Description	Page and Index No.
D434 4742	Timing Pulley:S3M:T17	41 - 13
D434 4746	Transport Roller:Pressure	41 - 12
D434 4748	Arm:Transport Roller:Pressure:Front	41 - 14
D434 4756	Transport Roller:Pressure:Inner	45 - 3
D434 4757	Gear:Drive:Transport Roller:Pressure	45 - 2
D434 4758	Arm:Transport Roller:Pressure:Rear	41 - 15
D434 4761	Shaft:Drive:Transport Roller:Inner	45 - 1
D434 4771	Timing Belt:60S3M207	45 - 8
D434 4771	Timing Belt:60S3M207	41 - 20
D434 4777	Timing Belt:60S3M459	45 - 6
D434 4780	Tensioner:Long:Ass'y	45 - 9
D434 4790	Tension Spring:10.5N	63 - 33
D434 4790	Tension Spring:10.5N	9 - 14
D434 4790	Tension Spring:10.5n	45 - 11
D434 4790	Tension Spring:10.5N	71 - 9
D434 4801	Link:Pressure Sub-unit:Open And Close	41 - 18
D434 4803	Grip:Pressure Sub-unit:Open And Close	23 - 3
D434 4804	Timing Pulley:T20:S3M:Radia Ball Bearing	41 - 3
D434 4806	Shaft:Cam:Pressure Sub-unit:Open And Close	41 - 8
D434 4807	Cam:Pressure Sub-unit:Open And Close	41 - 2
D434 4811	Bracket:Sensor:Cam:Drive:Pressure	41 - 22
D434 4856	Guide:Turn:Moveable	43 - 16
D434 4857	Tension Spring:1.60N	43 - 15
D434 4866	Guide Plate:Stay:Exit	43 - 11
D434 4886	Timing Belt:60S3M129	43 - 22
D434 4889	Bracket:Sensor:Cam:Guide:Turn	43 - 20
D434 4901	Transport Roller:Lengthwise	43 - 10
D434 4903	Gear:Transport Roller:Lengthwise:Coupling	43 - 9
D434 4905	Guide Plate:Drive:Turn:Lower	43 - 1
D434 4915	Guide Plate:Driven:Turn:Lower	43 - 2
D434 5001	Saddle Stapler Unit:Ass'y	47 - *
D434 5123	Bracket:Sensor:Transport:Paper Crimp Sub-unit	53 - 4
D434 5169	Bracket:Sensor:Jogger	53 - 7
D434 5245	Bracket:Sensor:Exit	53 - 11
D434 5274	Gear:Slow Down:Transport:Release	51 - 9



Part No.	Description	Page and Index No.
D434 5276	Bracket:Guide:Timings Belt	51 - 4
D434 5278	Pulley:Idler:S2M-18/32	51 - 10
D434 5279	Timing Belt:B40S2M380	51 - 11
D434 5280	Tensioner:Drive:Paper Crimp:Horizontal:Peen	51 - 3
D434 5283	Pulley:Idler:S2M-T26	51 - 6
D434 5287	Bracket:Home Position Sensor	51 - 1
D434 5288	Supporting Plate:Drive:Paper Crimp	51 - 24
D434 5300	Stay:Release:Transport	51 - 25
D434 5304	Link:Release:Transport:Paper Crimp Sub-unit	51 - 13
D434 5305	Roller:Driven:Transport:Release:Ass'y	51 - 20
D434 5307	Roller:Driven:Transport:Paper Crimp Sub-unit	43 - 7
D434 5307	Roller:Driven:Transport:Paper Crimp Sub-unit	51 - 21
D434 5309	Shaft:Driven:Transport:Release	43 - 8
D434 5311	Radial Ball Bearing:6x10x3	51 - 18
D434 5311	Radial Ball Bearing:6x10x3	43 - 5
D434 5313	Compression Spring:Transport Roller: Paper Crimp Sub-unit	43 - 6
D434 5313	Compression Spring:Transport Roller: Paper Crimp Sub-unit	51 - 19
D434 5315	Collar:Coupling:Drive:Transport	43 - 4
D434 5315	Collar:Coupling:Drive:Transport	51 - 22
D434 5317	Joint:Coupling:Drive:Transport	43 - 3
D434 5317	Joint:Coupling:Drive:Transport	51 - 23
D434 5319	Gear:Driven Roller:Coupling	43 - 13
D434 5321	Bracket:Auxiliary:Rear:Paper Crimp	55 - 4
D434 5326	Timing Belt:B80S3M243	55 - 8
D434 5330	Guide Plate:Lower:Saddle Stapler	47 - 6
D434 5356	Bracket:Uniform:Leading Edge	49 - 14
D434 5372	Bracket:Tensioner:Uniform:Leading Edge	49 - 10
D434 5374	Shaft:Idler:Exit	49 - 8
D434 5376	Pulley:Belt Tension:Pawl:Uniform	49 - 7
D434 5382	Shaft:Leading Edge	49 - 15
D434 5384	Pulley:Drive:Pawl	49 - 12
D434 5388	Bracket:Motor:Leading Edge	49 - 2
D434 5390	Pawl:Belt:Uniform:Saddle Stapler Unit	49 - 6

Part No.	Description	Page and Index No.
D434 5397	Bracket:Home Position Sensor	49 - 4
D434 5401	Guide Plate:Vertical Transport	49 - 16
D434 5402	Bracket:Contact Point:Rear	47 - 15
D434 5403	Bracket:Contact Point:Front	47 - 16
D434 5406	Guide Plate:Vertical Transport	47 - 13
D434 5425	Guide Plate:Stapler:EH281R	53 - 8
D434 5426	Guide:Stapler:Middle:EH281R	53 - 10
D434 5427	Guide:Stapler:Side:EH281R	53 - 9
D434 5428	Stay:Grip:Stapler	53 - 1
D434 5431	Guide:Harness:Paper Crimp	55 - 5
D434 5451	Grip:Paper Crimp :Rear	55 - 3
D434 5461	Cover:EH281R	47 - 10
D434 5466	Cover:Saddle Stapler	47 - 11
D434 5471	Inner Cover:Saddle Stapler Unit	47 - 1
D434 5481	Guide Plate:Paper Exit:Paper Crimp	65 - 8
D434 5495	Tray:Paper Crimp Sub-unit	5 - 11
D434 5497	End Fence:Tray:Paper Crimp Sub-unit	5 - 10
D434 5500	PCB:Main Control	73 - 14
D434 5515	PCB:Sub	73 - 1
D434 5565	Bracket:Leak Breaker	75 - 5
D434 5566	Cover:Leak Breaker	75 - 6
D434 5760	Harness:Main:PCB:Stapler Section:Sensor	45 - 26
D434 5761	Harness:Main:Stapler Section:Motor	39 - 23
D434 5762	Harness:Interface:Diagonal-slanted:Motor	39 - 15
D434 5763	Harness:Interface:Solenoid	37 - 5
D434 5764	Harness:Interface:Motor	27 - 17
D434 5765	Harness:Main:Stapler Tray:Motor	45 - 25
D434 5767	Harness:Interface:Shift:Motor	67 - 12
D434 5768	Harness:Main:Return:Shift:Interface	61 - 2
D434 5768	Harness:Main:Return:Shift:Interface	73 - 12
D434 5769	Harness:Main:Side Plate:Motor	73 - 13
D434 5770	Harness:Connecting:Proof Tray:Sensor	15 - 3
D434 5772	Harness:Shift Tray:Paper Feed Sensor	57 - 8
D434 5773	Harness:Interface:Exit:Guide Plate:Sensor	57 - 23
D434 5776	Harness:Connecting:Pre:Sensor	17 - 14

Part No.	Description	Page and Index No.
D434 5777	Harness:Main:Gate Pawl:Sensor:Interface	73 - 8
D434 5778	Harness:Connecting:Stop:Switch	5 - 15
D434 5780	Harness:Main:Staple Sensor	23 - 15
D434 5781	Harness:Bind:Overflow:Sensor:Connecting	73 - 11
D434 5783	Harness:Connecting:Middle:Bind:Sensor	65 - 5
D434 5784	Harness:Main:Shift Tray:Sensor:Interface	73 - 10
D434 5785	Harness:Interface:Return:Sensor	61 - 3
D434 5786	Harness:Interface:Shift:Hp Sensor	67 - 11
D434 5787	Harness:Main:Drawer:Connector:A0	73 - 17
D434 5791	Harness:Interface:Exit:Pawl:Hp Sensor	33 - 25
D434 5792	Harness:Interface:Home Position Sensor	35 - 23
D434 5794	Harness:Interface:Entrance Sensor	25 - 15
D434 5795	Harness:Interface:Home Position Sensor	27 - 14
D434 5797	Harness:Main:Safety Switch	75 - 27
D434 5803	Harness:Main Control Board:Drawer:B0	73 - 18
D434 5804	Harness:Drawer:Saddle Stapler Unit:Sensor	45 - 15
D434 5806	Harness:Pressure Roller:Sensor	51 - 29
D434 5807	Harness:Sub:PCB:Saddle Stapler:Motor	45 - 24
D434 5809	Harness:Sensor:Jogger	53 - 15
D434 5810	Harness:Interface:Stapler	53 - 14
D434 5811	Harness:Interface:Stapler Section:Sensor	55 - 14
D434 5812	Harness:Interface:Motor	51 - 27
D434 5813	Harness:Saddle Stapler:Stapler	53 - 13
D434 5814	Harness:Paper Feed Sensor	53 - 12
D434 5815	Harness:Sub:Transport Section:Motor	73 - 2
D434 5817	Harness:Main:Sub:Power Supply Unit	75 - 2
D434 5818	Harness:Interface:Safety Switch	61 - 26
D434 5819	Harness:Main:Punch:Base	73 - 6
D434 5822	Harness:Sub:Roller:Plate:Motor	45 - 23
D434 5822	Harness:Sub:Roller:Plate:Motor	55 - 15
D434 5834	Harness:Connecting:Paper Sensor	57 - 15
D434 5835	Harness:Proof Tray:Entrance Sensor	73 - 5
D434 5836	Harness:Sub:Entrance:Transport Section	73 - 3
D434 5838	Harness:Drawer:Stapler Tray:Sensor	45 - 17
D434 5839	Harness:Main:Stapler Tray:Inner:Motor	45 - 22

Part No.	Description	Page and Index No.
D434 5843	Harness:Main:TRIMER	73 - 16
D434 5844	Harness:Leak Breaker:Power Supply Unit	75 - 3
D434 5845	Harness:Inlet:Leak Breaker	75 - 4
D434 5850	Harness:Interface:Jogger:Motor	55 - 11
D434 5854	Harness:Interface:Ass'y	73 - 15
D434 5855	Harness:Side Plate	73 - 9
D434 5857	Harness:Shift Tray:Overflow:Sensor	73 - 7
D434 6101	Inner Cover:Front:Upper	3 - 20
D434 6151	Inner Cover:Front:Lower	3 - 21
D434 6210	Door:Front	3 - 9
D434 6220	Grip:Door:Front	3 - 11
D434 6251	Door:Front:Small	3 - 10
D434 6290	Hinge:Door:Lower:Ass'y	3 - 15
D434 6301	Cover:Left:Front	3 - 19
D434 6351	Cover:Left Upper	5 - 14
D434 6410	Cover:Rear Upper	5 - 1
D434 6420	Cover:Rear Lower	5 - 2
D434 6501	End Fence:Paper Crimp Sub-unit	65 - 10
D434 6613	Cover:Upper Front:Auxiliary	5 - 6
D434 6614	Cover:Upper Front:Left And Right:Auxiliary	5 - 7
D434 6622	Cover:Upper Front	5 - 5
D434 6624	Cover:Proof Tray:Ass'y	5 - 4
D434 6627	Cover:Upper Rear	5 - 3
D434 6711	Cover:Shift Tray:Front	63 - 11
D434 6761	Cover:Shift Tray:Rear	63 - 10
D434 7505	Shift Tray:Ass'y	5 - 12
D434 7515	Tray:Auxiliary:Leading Edge	3 - 1
D434 7700	Decal:Guide Plate:Registration:Open And Close	7 - 12
D434 7705	Decal:Registration Roller:RB2	3 - 23
D434 7710	Decal:Guide Plate:Gate:Open And Close:RB3	11 - 20
D434 7715	Decal:Guide Plate:Proof Tray: Open And Close:RB4	11 - 3
D434 7720	Decal:Guide Plate:Shift Tray: Open And Close:RB5	15 - 10

Part No.	Description	Page and Index No.
D434 7725	Decal:Guide Plate:Lengthwise Upper: Open And Close:RB6	19 - 7
D434 7730	Decal:Guide Plate:Lengthwise Lower: Open And Close:RB7	21 - 2
D434 7735	Decal:Pre Stack:Upper:RB8	3 - 24
D434 7740	Decal:Guide Plate:Turn:Open And Close:RB9	3 - 25
D434 7745	Decal:Knob:Blade:RB10	47 - 3
D434 7750	Decal:Knob:Roller:RB11	47 - 4
D434 7755	Decal:Stapler Unit:Pull Out:RB12	23 - 6
D434 7760	Decal:Guide Plate:Staple:Open And Close:RB13	25 - 8
D434 7765	Decal:Open And Close:RB14	23 - 5
D434 7770	Decal:Vertical Transport:RB15	47 - 17
D434 7775	Decal:Knob:Vertical Transport:RB16	23 - 4
D434 7780	Decal:Paper Crimp:Saddle Stapler:RB17	47 - 7
D434 7785	Decal:Stapler Unit:18RB	39 - 19
D434 7790	Decal:Knob:Stapler Unit:RB19	39 - 20
D434 7795	Decal:Stapler:S1	23 - 19
D434 7800	Decal:Saddle Stapler:Front:S2	47 - 5
D434 7805	Decal:Saddle Stapler:Middle:S2	47 - 9
D434 7810	Decal:Misfeed Removal	3 - 17
D434 7815	Decal:Staple Exchange	3 - 18
D434 7820	Decal:Caution:Paper Exit Sub-unit	65 - 11
D434 7825	Decal:Caution:Paper Crimp Sub-unit	47 - 12
D434 7830	Decal:H-temp Warning:Motor: Trailing Edge:Plate	23 - 9
D434 7835	Decal:H-temp Warning:Motor:Side Plate:Rear	45 - 13

Part No.	Description	Page and Index No.
A259 6590	Bushing	13 - 10
A259 6590	Bushing	11 - 10
A300 2736	Worm Gear	63 - 17
A300 3634	Spring Plate - Timing Belt	69 - 16
A300 3634	Spring Plate - Timing Belt	31 - 17
A353 3272	Guide Roller	63 - 2
A353 3354	Driven Roller Holder	57 - 5
A376 1343	Original Pressure Roller	39 - 28
A377 4741	Roller - M14	39 - 31
A379 2215	Exit Mylar	57 - 3
A422 1063	Seal - 0.7x13x20	59 - 12
A458 2251	Cushion - Bin Solenoid Lever	19 - 4
A458 3281	Idler Roller	71 - 11
A458 3281	Idler Roller	45 - 4
A548 2139	Pulley	63 - 28
A666 3180	Timing Pulley - Z32	33 - 20
A666 3180	Timing Pulley - Z32	49 - 13
A666 3180	Timing Pulley - Z32	35 - 9
A681 2742	Driven Exit Roller	33 - 8
A697 2102	Damper - Junction Gate Solenoid	37 - 7
A697 2132	Joint - Brush Roller	25 - 2
A697 2138	Brush Roller	25 - 3
A697 2260	Pulley - 17T	35 - 19
A697 2260	Pulley - 17T	59 - 6
A697 2260	Pulley - 17T	29 - 17
A697 3135	Gear - 18Z	63 - 16
A697 3140	Gear - 30Z	63 - 15
A697 3145	Gear - 36Z/18Z	63 - 18
A697 3150	Fixing Plate - Timing Belt	63 - 9
A697 3170	Gear - 42Z	63 - 24
A697 3175	Spacer - 10x14x13.5mm	63 - 27
A697 3180	Pulley - 18T	63 - 23
A697 3185	Pulley - 18T	63 - 31
A806 3281	Timing Pulley - T14 S3M	43 - 18
A859 2230	Ball Bearing - 6x13x5	29 - 11

Part No.	Description	Page and Index No.
A859 4141	Pulley Idler	31 - 19
B039 1321	Operating Instructions Holder	3 - 4
B132 1226	Holder:Stand	75 - 21
B154 8521	Holder:Operating Instructions	3 - 3
B234 1293	Lever - Safety Switch	3 - 12
B234 1296	Plate:Magnet Catch	3 - 13
B302 1134	Lever Stay	57 - 19
B302 1163	Grounding Plate	75 - 19
B302 1517	Timing Pulley - 20Z	59 - 10
B302 1542	Timing Pulley - 20Z	45 - 5
B302 2216	Exit Guide - Upper Exit Guide	13 - 2
B302 2305	Middle Exit Roller	59 - 3
B302 2413	Brush Roller	25 - 1
B302 2513	Support Plate - Exit Gate	11 - 8
B302 2513	Support Plate - Exit Gate	13 - 8
B302 4113	Bushing - 6x9mm	27 - 13
B302 4239	Guide Roller	43 - 17
B302 4292	Belt Holder	39 - 12
B302 4517	Mylar Guide	33 - 9
B302 4617	Jogger Fence Slider	31 - 8
B302 4731	Lower Exit Shaft	35 - 14
B302 4756	Timing Belt - 753P3M6	39 - 8
B302 6157	Upper Hinge - Front Door	3 - 14
B302 6414	Upper Cover Stay	5 - 8
B352 1607	Timing Pulley - T20-S3M	25 - 21
B352 1607	Timing Pulley - T20-S3M	21 - 16
B352 1607	Timing Pulley - T20-S3M	41 - 21
B352 1607	Timing Pulley - T20-S3M	19 - 5
B352 1607	Timing Pulley - T20-S3M	9 - 16
B352 1607	Timing Pulley - T20-S3M	15 - 16
B352 3572	Bushing - 6mm	69 - 5
B408 2281	Knob - Transfer Roller	23 - 2
B408 2281	Knob - Transfer Roller	3 - 22
B468 2882	Link Bushing	57 - 30
B468 4766	Tightener	39 - 2

Part No.	Description	Page and Index No.
B468 5991	Harness Bracket	73 - 4
B468 5991	Harness Bracket	59 - 5
B468 5991	Harness Bracket	71 - 6
B478 1172	Bracket:Coupling:Lower	75 - 29
B478 1174	Holder:Coupling:Upper	75 - 16
B478 1175	Holder:Coupling:Lower	75 - 28
B478 2116	Reverse Roller - Stapler Tray	29 - 8
B478 2231	Roller:Exit:Auxiliary:Ass'y	13 - 6
B478 2328	Exit Roller:Driven	57 - 1
B478 2332	Spring Plate:Shift:Exit	59 - 11
B478 3101	Spacer:Gathering Roller:Shift Tray	67 - 4
B478 3113	Shift Tray Guide Holder	63 - 13
B478 3501	Pulley:Drive:Roller:Sponge	61 - 21
B478 3502	Pulley:Driven:Roller:Sponge	61 - 16
B478 3506	Lever:Drive:Gathering Roller:Front	61 - 24
B478 3507	Lever:Drive:Gathering Roller:Back	61 - 14
B478 3508	Lever:Driven:Gathering Roller:Front	61 - 23
B478 3509	Lever:Driven:Gathering Roller:Back	61 - 20
B478 3511	Cam:Gathering Roller:Drive	61 - 33
B478 3522	Gear:Z35	61 - 12
B478 3523	Torsion Spring:Plate:Lever:Front	61 - 25
B478 3524	Torsion Spring:Plate:Lever:Back	61 - 13
B478 3553	Bracket:Feeler:Paper Sensor	61 - 29
B478 3555	Feeler:Paper Sensor	61 - 30
B478 3568	Bracket:Home Position Sensor	21 - 26
B478 3568	Bracket:Home Position Sensor	61 - 4
B478 3569	Spacer	61 - 8
B478 3569	Spacer	69 - 12
B478 3569	Spacer	59 - 9
B478 3569	Spacer	43 - 19
B478 3576	Bracket:Sensor:Paper Sensor	61 - 31
B478 3581	Bracket:Micro Switch	61 - 28
B478 3582	Lever:Micro Switch	61 - 27
B478 4132	Slider:Vibrating Plate	27 - 8
B478 4135	Timing Pulley:18T	27 - 6

Part No.	Description	Page and Index No.
B478 4256	Timing Pulley:20T-30T	39 - 7
B478 4257	Tension Spring:Tightener	39 - 5
B478 4291	Bracket:Stay:Timing Belt	39 - 11
B478 6264	Keytop:Printing	5 - 16
B478 6413	Stay:Front Left	59 - 1
B513 1154	Pulley:T30:S2M	69 - 13
B700 1163	Screw:Connector	73 - 19
B700 1600	Bracket:Stepper Motor:Transport	43 - 23
B700 1645	Timing Pulley:20T	17 - 10
B700 1645	Timing Pulley:20T	15 - 18
B700 1645	Timing Pulley:20T	21 - 20
B700 2145	Bracket:Entrance Sensor	9 - 10
B700 2317	Discharge Brush	19 - 12
B700 2317	Discharge Brush	13 - 1
B700 2317	Discharge Brush	25 - 5
B700 2476	Compression Spring:Exit:Driven	9 - 5
B700 2520	Cushion:Gate Pawl	7 - 4
B700 3115	Worm Gear:37T	21 - 25
B700 3115	Worm Gear:37T	57 - 33
B700 3535	Timing Belt:B40S2M116	21 - 24
B700 3710	Bracket:Surface Of Paper Sensor	65 - 7
B700 3715	Shaft:Arm:Paper Exit Sub-unit	65 - 4
B700 3725	Arm:Plate:Paper Exit Sub-unit	65 - 3
B700 3730	Roller:Plate:Paper Exit Sub-unit	65 - 1
B700 3740	Spring:Arm:16mN.m	65 - 9
B700 4107	Spring:Return:Standard Fence	33 - 3
B700 4428	Timing Belt:B40S2M158	61 - 9
B700 4521	Holder:Arm:Harness	45 - 20
B700 4522	Arm:Harness:Stapler Unit	45 - 21
B700 4523	Pin:Fix:Arm	45 - 18
B700 4697	Tension Spring:Roller:Guide Plate	47 - 14
B700 4770	Bracket:Home Position Sensor:Blade	55 - 13
B700 4781	Gear:62T	55 - 6
B700 4782	Pulley:31T	55 - 7
B700 4784	Pulley:22T	55 - 10

Part No.	Description	Page and Index No.
B700 4785	Timing Belt:B80S3M156	55 - 9
B700 4797	Bracket:Motor:MM56	55 - 2
B700 4821	Cam:Release:Transport	51 - 14
B700 4823	Gear:56Z	51 - 15
B700 4825	Gear:28Z	51 - 16
B700 4829	Spacer:Release:Transport	51 - 12
B700 4867	Screw>Contact Point:M3	49 - 11
B700 4867	Screw>Contact Point:M3	51 - 8
B700 4885	Knob:Paper Crimp	47 - 2
B700 5804	Stepper Motor:DIA42:Z17:Ass'y	13 - 15
B700 5804	Stepper Motor:DIA42:Z17:Ass'y	11 - 15
B700 5806	Stepper Motor:MM42:S3M:T14:Ass'y	43 - 24
B700 5807	Stepper Motor:MM42:S2M:T15:Ass'y	51 - 26
B700 5807	Stepper Motor:MM42:S2M:T15:Ass'y	39 - 17
B700 5807	Stepper Motor:MM42:S2M:T15:Ass'y	61 - 1
B700 5810	Stepper Motor:DC24V 2.5W	49 - 1
B700 5811	Stepper Motor:DC 25W	21 - 22
B700 5812	Stepper Motor:MM56:S3M:T14:Ass'y	45 - 12
B700 5812	Stepper Motor:MM56:S3M:T14:Ass'y	55 - 1
B700 5812	Stepper Motor:MM56:S3M:T14:Ass'y	41 - 9
B703 1159	Guard:Frame	37 - 13
B703 1165	Timing Belt:B40S2M390	69 - 18
B706 1143	Bracket:Sensor:Paper	57 - 16
B706 1145	Lever:Sensor:Upper	57 - 17
B706 1156	Hexagonal Bolt - M12x30	75 - 20
B706 1555	Bracket:Tightener	71 - 8
B706 1555	Bracket:Tightener	75 - 13
B706 2323	Discharge Brush:L=320:MM3	57 - 9
B706 3035	Guide:Micro Switch:Shift Tray	5 - 13
B706 3126	Shift Tray Holder	63 - 12
B706 3172	Actuator Bracket	57 - 18
B706 3271	Tray Shift Shaft	63 - 5
B706 5600	PCB:Switch:Stop	5 - 17
B706 7631	Tray:Auxiliary:Shift Tray	3 - 2
B793 2154	Release Knob	17 - 5

Part No.	Description	Page and Index No.
B802 3756	Discharge Brush:Exit	21 - 6
B804 3720	Arm:Paper Sensor:Paper Exit Sub-unit: Paper Crimp	65 - 2
B830 1135	Screw	75 - 9
B830 1135	Screw	11 - 7
B830 1135	Screw	7 - 6
B830 1135	Screw	71 - 10
B830 1135	Screw	25 - 18
B830 1135	Screw	17 - 9
B830 1194	Toner Hopper Holder	23 - 12
B830 1195	Spring Plate	23 - 13
B830 1444	Drive Guide Plate - Exit	57 - 25
B830 1447	Worm Wheel Guide Plate	57 - 26
B830 1448	Bracket:Stepper Motor:Drive:Guide Plate	57 - 21
B830 1449	Shaft - Worm Wheel	57 - 27
B830 1451	Worm Wheel - 16Z	57 - 28
B830 1455	Bracket - Home Position Sensor	57 - 24
B830 1456	Timing Belt - 40S2M190	57 - 22
B830 1458	Link - Exit Roller Driven	57 - 29
B830 1459	Compression Spring	57 - 32
B830 1531	Stepper Motor Bracket	71 - 12
B830 1532	Timing Pulley - 26T/17T	59 - 8
B830 1533	Timing Belt - 60S3M171	71 - 2
B830 1533	Timing Belt - 60S3M171	39 - 6
B830 1533	Timing Belt - 60S3M171	21 - 19
B830 1533	Timing Belt - 60S3M171	15 - 19
B830 1533	Timing Belt - 60S3M171	59 - 7
B830 1534	Timing Belt - 60S3M216	35 - 1
B830 1534	Timing Belt - 60S3M216	71 - 13
B830 2116	Tension Spring	29 - 15
B830 2126	Lever Cushion	29 - 14
B830 2131	Gathering Roller Lever	29 - 2
B830 2132	Cam - Gathering Roller Lever	29 - 3
B830 2141	Timing Belt - 60S3M237	29 - 18
B830 2142	Timing Belt - 60S3M162	29 - 4

Part No.	Description	Page and Index No.
B830 2142	Timing Belt - 60S3M162	15 - 17
B830 2302	Roller:Exit Roller:Inner:Ass'y	59 - 4
B830 2327	Exit Guide Bracket	57 - 11
B830 2519	Gear - 91Z	13 - 13
B830 2519	Gear - 91Z	11 - 13
B830 2522	Sensor Bracket	13 - 11
B830 2522	Sensor Bracket	11 - 11
B830 3162	Guard:Tray Bracket - Upper Lower	63 - 22
B830 3241	Timing Pulley - 43T	67 - 8
B830 3315	Roller	63 - 4
B830 3322	Guide:Shift Tray:Upper Lower	63 - 8
B830 3415	Cover - Exit Roller	67 - 3
B830 3503	Sponge Gathering Roller	61 - 18
B830 3504	Timing Belt - 40S2M100	49 - 3
B830 3504	Timing Belt - 40S2M100	61 - 15
B830 3505	Timing Belt - 40S2M84	61 - 19
B830 3510	Coupling Lever Bracket	61 - 17
B830 3520	Gathering Roller Shaft	61 - 22
B830 3561	Stepper Motor Bracket	61 - 6
B830 3579	Lever Cam	61 - 7
B830 3587	Stepper Motor Bracket	61 - 11
B830 3611	Frame - Jogger Uniform	69 - 21
B830 3631	Slide Shaft	69 - 11
B830 3641	Jogger Fence Holder - Front	69 - 8
B830 3646	Jogger Fence Holder - Rear	69 - 7
B830 3651	Gear - 35Z	69 - 23
B830 3671	Shaft - Jogger Fence Moveable	69 - 6
B830 3676	Lever - Jogger Fence	69 - 2
B830 3680	Jogger Fence - Front	69 - 4
B830 3685	Jogger Fence - Inner Back	69 - 3
B830 3688	Cushion:Jogger Fence	69 - 30
B830 3688	Cushion:Jogger Fence	41 - 7
B830 3691	Jogger Fence:Exit:Guide:Front	69 - 10
B830 3692	Jogger Fence:Exit:Guide:Inner Back	69 - 9
B830 3697	Stepper Motor Bracket	69 - 29

Part No.	Description	Page and Index No.
B830 3711	Tensioner Bracket	69 - 14
B830 3726	Timing Belt - 40S2M848	69 - 17
B830 3726	Timing Belt - 40S2M848	51 - 5
B830 3731	Cover - Uniform Unit	69 - 1
B830 3751	Tension Spring	69 - 15
B830 4125	Compression Spring	27 - 2
B830 4126	Tension Spring	27 - 11
B830 4213	Guide - Standard Fence	37 - 11
B830 4214	Stapler Base	37 - 4
B830 4215	Stapler Cover - Front	37 - 2
B830 4216	Cover - Stapler Harness	37 - 3
B830 4221	Stapler Holder	39 - 32
B830 4231	Stapler Holder - Middle	39 - 29
B830 4235	Slider:Base:Stapler	39 - 16
B830 4245	Ball Bearing	39 - 9
B830 4249	Sensor Bracket	39 - 13
B830 4261	Worm Gear	39 - 24
B830 4262	Pulley - 19T	39 - 25
B830 4263	Timing Belt - 60S2M140	39 - 26
B830 4271	Gear - 166Z	39 - 27
B830 4275	Knob	39 - 21
B830 4281	Lever Bracket	37 - 8
B830 4284	Stapler Lever	37 - 10
B830 4285	Tension Spring	37 - 9
B830 4286	DC Solenoid 24V	37 - 6
B830 4517	Slider Hook Bracket	33 - 10
B830 4518	Slider Hook Shaft	33 - 11
B830 4613	Cover - Front Jogger Fence	31 - 9
B830 4623	Cover - Rear Jogger Fence	31 - 6
B830 4884	Timing Belt - 60S3M204	25 - 22
B830 4884	Timing Belt - 60S3M204	71 - 7
B830 5120	PCB Jogger	69 - 24
B830 5280	Harness - Sensor	69 - 27
B830 5281	Harness - Motor Control	69 - 26
B830 5282	Harness - Motor	69 - 25

Part No.	Description	Page and Index No.
B830 5562	Stepper Motor DC1.56V 3.7W	71 - 1
B830 5562	Stepper Motor DC1.56V 3.7W	9 - 13
B830 5562	Stepper Motor DC1.56V 3.7W	25 - 20
B830 5562	Stepper Motor DC1.56V 3.7W	21 - 18
B830 5562	Stepper Motor DC1.56V 3.7W	33 - 19
B830 5563	Stepper Motor DC3.84V 9.2W	67 - 13
B830 5564	Stepper Motor DC1.35V 4W	35 - 5
B830 5565	Stepper Motor DC6.7V 16W	31 - 20
B830 5567	Stepper Motor DC2.52V 4.5W	29 - 1
B830 5568	Stepper Motor DC2.52V 4.5W	57 - 20
B830 5569	Stepper Motor DC3.3V 3.9W	69 - 22
B830 5570	Stepper Motor DC3.1V 7.4W	61 - 10
B830 5570	Stepper Motor DC3.1V 7.4W	69 - 28
B830 5573	Stepper Motor DC2.24V 3.5W	27 - 16
B830 5574	Stepper Motor DC2.2V 5.7W	39 - 1
B830 5813	Harness Bracket - Upper	73 - 20
B830 6511	Stay - Rear Upper	71 - 3
B830 7010	Toner Hopper	23 - 10
B830 7511	Connecting Guide Plate - Lower	7 - 1
B830 7516	Guide Plate:Connecting:Upper	7 - 2
B830 7536	Coupling Bracket - Correct	3 - 7
B830 7537	Adjusting Plate:Bracket:Coupling	75 - 22
B830 7709	Decal - Stapler Unit (R10)	39 - 22
B830 7712	Decal - Toner Hopper Staple	23 - 11
B835 1181	Coupling Lever	75 - 8
B872 2515	Cushion:Bracket:Feed	27 - 18
B872 2614	Bushing:R1	41 - 4
B889 1432	Timing Belt:B60S3M771	71 - 5
B890 4094	Timing Belt:B60S3M297	67 - 6
C101 2360	Snap Ring	11 - 22
C203 5135	Bushing - 10x14x5.9	63 - 26
C308 2324	Shaft:Exit Roller:Driven	57 - 2
D355 1325	Cover:Push Switch	75 - 26
D447 7591	Cushion:Spacer:440mm	5 - 18
D447 7591	Cushion:Spacer:440mm	3 - 5

Part No.	Description	Page and Index No.
G052 4892	Discharge Brush:Exit:Small	67 - 2
G060 5862	Cap - PSU	75 - 24
G159 4627	Discharge Brush:Reverse Roller	57 - 12
G569 2855	Timing Pulley - 17T	41 - 11

Part No.	Description	Page and Index No.
AA02 1030	Magnet Catch	47 - 8
AA04 3593	Timing Belt - 40S3M324	33 - 17
AA04 3627	Timing Belt - B40S2M148	63 - 20
AA04 3657	Timing Belt:60S3M294	41 - 1
AA04 3962	Timing Belt - B40S2M214	27 - 4
AA04 3962	Timing Belt - B40S2M214	51 - 17
AA06 2334	Tension Spring:4.9n	33 - 23
AA06 2334	Tension Spring:4.9N	31 - 22
AA06 2334	Tension Spring:4.9N	51 - 7
AA06 2334	Tension Spring:4.9N	49 - 9
AA06 3529	Pressure Spring - 14.5mm	7 - 10
AA06 3529	Pressure Spring - 14.5mm	13 - 4
AA08 0072	Bushing - 6x10x3	11 - 14
AA08 0072	Bushing - 6x10x3	13 - 14
AA08 2101	Bushing - 6x10x6	21 - 15
AA08 2101	Bushing - 6x10x6	19 - 13
AA08 2101	Bushing - 6x10x6	43 - 14
AA08 2101	Bushing - 6x10x6	57 - 13
AA12 0097	Antistatic Brush	11 - 17
AA12 0097	Antistatic Brush	7 - 14
AA12 0097	Antistatic Brush	25 - 6
AA13 2024	Spacer - M6	63 - 3
AA14 3396	Screw - M4x4	3 - 8
AA14 3702	Screw:Pin:Positioning	51 - 28
AA14 3788	Pin:Guide Plate:Paper Feed	53 - 3
AA14 3790	Screw:Contact Point	35 - 6
AA14 3790	Screw:Contact Point	45 - 10
AA14 3790	Screw:Contact Point	33 - 22
AA14 3790	Screw:Contact Point	31 - 24
AA14 3790	Screw:Contact Point	75 - 11
AA14 3790	Screw:Contact Point	39 - 3
AA14 3807	Screw:A	3 - 16
AB03 0278	Idler - 20Z	31 - 21
AB03 0278	Idler - 20Z	39 - 4
AB03 0550	Idle Pulley	75 - 10



Part No.	Description	Page and Index No.
AB03 0609	Pulley - 20T	33 - 15
AB03 0722	Pulley - 13MM	71 - 4
AB03 0807	Timing Pulley - 20T	45 - 7
AB03 3088	Pulley - 20T/20T	41 - 24
AF02 2147	Driven Roller	11 - 4
AF02 2147	Driven Roller	7 - 11
AF02 2147	Driven Roller	15 - 12
AF02 2148	Roller:Driven:L=125	21 - 5
AF02 2148	Roller:Driven:L=125	11 - 19
AF02 2148	Roller:Driven:L=125	19 - 10
AF02 2148	Roller:Driven:L=125	13 - 5
AF02 2148	Roller:Driven:L=125	25 - 11
AG07 0513	Magnet Catch	17 - 4
AG07 0514	Magnet Catch	11 - 2
AG07 0514	Magnet Catch	15 - 13
AG07 0514	Magnet Catch	7 - 8
AG07 0514	Magnet Catch	21 - 3
AG07 0514	Magnet Catch	25 - 10
AG07 0514	Magnet Catch	19 - 8
AG07 1012	Magnet Catch:Ass'y	75 - 14
AH01 2014	Caster - 60kgf	75 - 23
AH01 2014	Caster - 60kgf	31 - 16
AJ01 1023	Stapler:EH-1200R	37 - 12
AJ01 1024	Stapler:EH-281R	53 - 2
AW01 0089	Photosensor - GP2A28C	57 - 7
AW01 0091	Photo Reflection Sensor	57 - 6
AW01 0091	Photo Reflection Sensor	15 - 4
AW01 0109	Photo Reflection Sensor:PS117ED1	25 - 14
AW01 0124	Photo Reflection Sensor:GP2A200LCS0F	35 - 22
AW02 0114	Photo Interruptor - Lower Limit	63 - 29
AW02 0141	Photointerruptor	49 - 5
AW02 0141	Photointerruptor	51 - 2
AW02 0141	Photointerruptor	53 - 6
AW02 0141	Photointerruptor	55 - 12
AW02 0156	Photointerruptor:EE-SX4235A-P2	69 - 19

Part No.	Description	Page and Index No.
AW02 0156	Photointerruptor:EE-SX4235A-P2	67 - 10
AW02 0156	Photointerruptor:EE-SX4235A-P2	65 - 6
AW02 0156	Photointerruptor:EE-SX4235A-P2	23 - 14
AW02 0156	Photointerruptor:EE-SX4235A-P2	21 - 27
AW02 0156	Photointerruptor:EE-SX4235A-P2	41 - 23
AW02 0156	Photointerruptor:EE-SX4235A-P2	27 - 15
AW02 0156	Photointerruptor:EE-SX4235A-P2	61 - 5
AW02 0156	Photointerruptor:EE-SX4235A-P2	57 - 14
AW02 0156	Photointerruptor:EE-SX4235A-P2	39 - 14
AW02 0156	Photointerruptor:EE-SX4235A-P2	29 - 5
AW02 0156	Photointerruptor:EE-SX4235A-P2	31 - 14
AW02 0156	Photointerruptor:EE-SX4235A-P2	11 - 12
AW02 0156	Photointerruptor:EE-SX4235A-P2	13 - 12
AW02 0156	Photointerruptor:EE-SX4235A-P2	33 - 26
AW02 0156	Photointerruptor:EE-SX4235A-P2	43 - 21
AW02 0182	Photointerruptor	23 - 16
AW02 0182	Photointerruptor	33 - 27
AW02 0182	Photointerruptor	35 - 20
AX06 0380	DC Brushless Motor:DC24V:28W	63 - 21
AX64 0170	Fan Motor - MM60 DC24V	75 - 7
AZ25 0042	Power Supply Unit:COLUMBIA:600W:UNV	75 - 1
GW01 0007	Photo Reflection Sensor:Exit	53 - 5
GW01 0007	Photo Reflection Sensor:Exit	9 - 11
GW01 0007	Photo Reflection Sensor:Exit	15 - 5
GW01 0007	Photo Reflection Sensor:Exit	17 - 13

Part No.	Description	Page and Index No.
0313 0040N	Screw:M3x4	69 - 103
0313 0040N	Screw:M3x4	59 - 106
0313 0080N	Pan Head Screw:M3x8	35 - 105
0353 0040N	Screw - M3x4	31 - 106
0353 0040N	Screw - M3x4	37 - 104
0353 0040N	Screw - M3x4	49 - 102
0353 0040N	Screw - M3x4	21 - 104
0353 0040N	Screw - M3x4	61 - 103
0353 0060N	Bind Screw - M3x6	63 - 104
0354 0140N	Screw M4x14	3 - 104
0354 0200N	Screw:M4x20	75 - 106
0450 3008N	Tapping Screw - M3x8	29 - 103
0450 3008N	Tapping Screw - M3x8	11 - 103
0450 3008N	Tapping Screw - M3x8	25 - 103
0450 3008N	Tapping Screw - M3x8	31 - 104
0450 3008N	Tapping Screw - M3x8	13 - 103
0450 3008N	Tapping Screw - M3x8	33 - 104
0450 3008N	Tapping Screw - M3x8	7 - 104
0450 3008N	Tapping Screw - M3x8	5 - 105
0450 4008N	Tapping Screw - M4x8	57 - 105
0450 4008N	Tapping Screw - M4x8	3 - 103
0451 3006N	Tapping Screw - 3x6	67 - 102
0451 3006N	Tapping Screw - 3x6	69 - 101
0451 3006N	Tapping Screw - 3x6	57 - 103
0451 3006N	Tapping Screw - 3x6	15 - 102
0451 3006N	Tapping Screw - 3x6	65 - 102
0451 3006N	Tapping Screw - 3x6	21 - 103
0451 3006N	Tapping Screw - 3x6	19 - 102
0451 3006N	Tapping Screw - 3x6	61 - 102
0451 3006N	Tapping Screw - 3x6	27 - 102
0451 3006N	Tapping Screw - 3x6	13 - 102
0451 3006N	Tapping Screw - 3x6	45 - 103
0451 3006N	Tapping Screw - 3x6	29 - 102
0451 3006N	Tapping Screw - 3x6	11 - 102
0451 3006N	Tapping Screw - 3x6	43 - 102

Part No.	Description	Page and Index No.
0451 3006N	Tapping Screw - 3x6	31 - 103
0451 3006N	Tapping Screw - 3x6	41 - 103
0451 3006N	Tapping Screw - 3x6	33 - 102
0451 3006N	Tapping Screw - 3x6	7 - 103
0451 3006N	Tapping Screw - 3x6	75 - 104
0451 3006N	Tapping Screw - 3x6	39 - 103
0451 3006N	Tapping Screw - 3x6	5 - 104
0451 3006N	Tapping Screw - 3x6	37 - 103
0451 3006N	Tapping Screw - 3x6	35 - 104
0451 3008N	Tapping Screw - M3x8	27 - 103
0451 3008N	Tapping Screw - M3x8	45 - 104
0451 3008N	Tapping Screw - M3x8	33 - 101
0451 3008N	Tapping Screw - M3x8	39 - 104
0451 3008N	Tapping Screw - M3x8	37 - 102
0451 3008N	Tapping Screw - M3x8	7 - 106
0451 3008N	Tapping Screw - M3x8	63 - 103
0451 3008N	Tapping Screw - M3x8	69 - 102
0451 3008N	Tapping Screw - M3x8	73 - 102
0451 3008N	Tapping Screw - M3x8	65 - 101
0451 3008N	Tapping Screw - M3x8	5 - 103
0451 3008N	Tapping Screw - M3x8	9 - 102
0451 3014N	Tapping Screw:3x14	25 - 104
0451 3014N	Tapping Screw:3x14	15 - 103
0451 3030N	Tapping Screw:3x30	75 - 103
0451 4006N	Tapping Screw - 4x6	39 - 102
0451 4006N	Tapping Screw - 4x6	9 - 103
0451 4006N	Tapping Screw - 4x6	33 - 103
0451 4006N	Tapping Screw - 4x6	55 - 102
0451 4006N	Tapping Screw - 4x6	25 - 102
0451 4006N	Tapping Screw - 4x6	45 - 105
0451 4006N	Tapping Screw - 4x6	57 - 102
0451 4006N	Tapping Screw - 4x6	67 - 101
0451 4006N	Tapping Screw - 4x6	71 - 102
0451 4006N	Tapping Screw - 4x6	21 - 102
0451 4006N	Tapping Screw - 4x6	35 - 103

Part No.	Description	Page and Index No.
0451 4010N	Tapping Screw:4x10	39 - 105
0452 3008N	Tapping Screw - M3x8	5 - 106
0453 3006N	Tapping Screw - M3x6	11 - 104
0453 3006N	Tapping Screw - M3x6	13 - 104
0453 4008N	Binding Self Tapping Screw:4x8	75 - 105
0454 3006N	Tapping Screw:Round Point:3x6	57 - 104
0454 3006Q	Tapping Screw - M3x6	43 - 101
0454 3006Q	Tapping Screw - M3x6	31 - 102
0454 3006Q	Tapping Screw - M3x6	75 - 102
0454 3006Q	Tapping Screw - M3x6	73 - 101
0454 3006Q	Tapping Screw - M3x6	41 - 102
0454 3006Q	Tapping Screw - M3x6	9 - 101
0454 3006Q	Tapping Screw - M3x6	7 - 101
0454 3006Q	Tapping Screw - M3x6	39 - 101
0454 3006Q	Tapping Screw - M3x6	5 - 102
0454 3006Q	Tapping Screw - M3x6	35 - 102
0454 3006Q	Tapping Screw - M3x6	37 - 101
0454 3006Q	Tapping Screw - M3x6	19 - 101
0454 3006Q	Tapping Screw - M3x6	53 - 101
0454 3006Q	Tapping Screw - M3x6	61 - 101
0454 3006Q	Tapping Screw - M3x6	21 - 101
0454 3006Q	Tapping Screw - M3x6	17 - 101
0454 3006Q	Tapping Screw - M3x6	59 - 101
0454 3006Q	Tapping Screw - M3x6	23 - 102
0454 3006Q	Tapping Screw - M3x6	57 - 101
0454 3006Q	Tapping Screw - M3x6	25 - 101
0454 3006Q	Tapping Screw - M3x6	15 - 101
0454 3006Q	Tapping Screw - M3x6	55 - 101
0454 3006Q	Tapping Screw - M3x6	63 - 101
0454 3006Q	Tapping Screw - M3x6	51 - 101
0454 3006Q	Tapping Screw - M3x6	49 - 101
0454 3006Q	Tapping Screw - M3x6	27 - 101
0454 3006Q	Tapping Screw - M3x6	13 - 101
0454 3006Q	Tapping Screw - M3x6	47 - 102
0454 3006Q	Tapping Screw - M3x6	29 - 101

Part No.	Description	Page and Index No.
0454 3006Q	Tapping Screw - M3x6	71 - 101
0454 3006Q	Tapping Screw - M3x6	11 - 101
0454 3006Q	Tapping Screw - M3x6	45 - 102
0454 3008Q	Tapping Screw:3x8	47 - 101
0454 3008Q	Tapping Screw:3x8	75 - 115
0454 3008Q	Tapping Screw:3x8	45 - 101
0454 3008Q	Tapping Screw:3x8	3 - 101
0454 3008Q	Tapping Screw:3x8	5 - 101
0454 3008Q	Tapping Screw:3x8	23 - 101
0454 3012Q	Tapping Screw:3x12	7 - 102
0454 3012Q	Tapping Screw:3x12	17 - 102
0454 4006Q	Tapping Screw:4x6	35 - 101
0454 4006Q	Tapping Screw:4x6	41 - 101
0454 4008Q	Tapping Screw - M4x8	3 - 102
0454 4008Q	Tapping Screw - M4x8	75 - 101
0454 4008Q	Tapping Screw - M4x8	31 - 101
0454 4008Q	Tapping Screw - M4x8	63 - 102
0574 0040E	Hexagon Headless Set Screw - M4x4	63 - 110
0632 0100G	Pin - 2x10mm	35 - 112
0632 0120G	Parallel Pin - 2x12	49 - 105
0632 0120G	Parallel Pin - 2x12	43 - 103
0632 0120G	Parallel Pin - 2x12	41 - 109
0632 0120G	Parallel Pin - 2x12	51 - 104
0633 0120G	Parallel Pin - 3x12	59 - 105
0633 0140G	Parallel Pin - 3x14	55 - 105
0633 0160G	Parallel Pin - 3x16mm	41 - 110
0633 0180G	Parallel Pin - 3x18mm	47 - 104
0634 0200G	Parallel Pin - 4x20	63 - 114
0720 0030E	Retaining Ring - M3	67 - 103
0720 0040E	Retaining Ring - M4	9 - 104
0720 0040E	Retaining Ring - M4	43 - 105
0720 0040E	Retaining Ring - M4	17 - 103
0720 0040E	Retaining Ring - M4	61 - 104
0720 0040E	Retaining Ring - M4	19 - 103
0720 0040E	Retaining Ring - M4	29 - 104

Part No.	Description	Page and Index No.
0720 0040E	Retaining Ring - M4	21 - 105
0720 0040E	Retaining Ring - M4	45 - 106
0720 0040E	Retaining Ring - M4	59 - 102
0720 0040E	Retaining Ring - M4	57 - 106
0720 0040E	Retaining Ring - M4	27 - 104
0720 0040E	Retaining Ring - M4	35 - 106
0720 0040E	Retaining Ring - M4	49 - 103
0720 0040E	Retaining Ring - M4	25 - 105
0720 0040E	Retaining Ring - M4	51 - 102
0720 0040E	Retaining Ring - M4	31 - 108
0720 0040E	Retaining Ring - M4	65 - 103
0720 0040E	Retaining Ring - M4	33 - 105
0720 0040E	Retaining Ring - M4	39 - 107
0720 0040E	Retaining Ring - M4	69 - 104
0720 0040E	Retaining Ring - M4	63 - 105
0720 0040E	Retaining Ring - M4	41 - 105
0720 0040E	Retaining Ring - M4	71 - 103
0720 0040E	Retaining Ring - M4	15 - 104
0720 0060E	Retaining Ring - M6	59 - 103
0720 0060E	Retaining Ring - M6	45 - 107
0720 0060E	Retaining Ring - M6	63 - 106
0720 0060E	Retaining Ring - M6	75 - 109
0720 0060E	Retaining Ring - M6	55 - 103
0720 0060E	Retaining Ring - M6	31 - 107
0720 0060E	Retaining Ring - M6	39 - 106
0720 0060E	Retaining Ring - M6	41 - 104
0720 0060E	Retaining Ring - M6	43 - 104
0720 0060E	Retaining Ring - M6	71 - 104
0740 3506	Ball Bearing - 6x12x4 mm	39 - 109
0740 3906	Ball Bearing - 6x15x5	63 - 108
0741 3506	Ball Bearing - 6x12x4 mm	49 - 108
0741 3506	Ball Bearing - 6x12x4 mm	35 - 109
0741 3506	Ball Bearing - 6x12x4 mm	25 - 108
0741 3506	Ball Bearing - 6x12x4 mm	43 - 107
0741 3506	Ball Bearing - 6x12x4 mm	15 - 105

Part No.	Description	Page and Index No.
0741 3506	Ball Bearing - 6x12x4 mm	59 - 104
0741 3506	Ball Bearing - 6x12x4 mm	39 - 110
0741 3506	Ball Bearing - 6x12x4 mm	21 - 106
0741 3506	Ball Bearing - 6x12x4 mm	45 - 109
0741 3506	Ball Bearing - 6x12x4 mm	19 - 104
0741 3506	Ball Bearing - 6x12x4 mm	17 - 104
0741 3506	Ball Bearing - 6x12x4 mm	41 - 108
0741 3506	Ball Bearing - 6x12x4 mm	9 - 105
0741 3706	Ball Bearing - 6x10x3	63 - 107
0741 3706	Ball Bearing - 6x10x3	61 - 106
0741 3706	Ball Bearing - 6x10x3	35 - 108
0741 3706	Ball Bearing - 6x10x3	49 - 104
0742 3808	Ball Bearing - 8x16x5	55 - 104
0742 3808	Ball Bearing - 8x16x5	41 - 107
0742 3808	Ball Bearing - 8x16x5	45 - 108
0804 6123	Hexagonal Bolt:W/Washer:M3x8	75 - 108
0804 6123	Hexagonal Bolt:W/Washer:M3x8	31 - 105
0805 0088	Retaining Ring - M6	41 - 106
0805 0088	Retaining Ring - M6	25 - 107
0805 0088	Retaining Ring - M6	39 - 108
0805 0088	Retaining Ring - M6	33 - 107
0805 0088	Retaining Ring - M6	47 - 103
0805 0089	Retaining Ring - M4	11 - 105
0805 0089	Retaining Ring - M4	51 - 103
0805 0089	Retaining Ring - M4	15 - 106
0805 0089	Retaining Ring - M4	43 - 106
0805 0089	Retaining Ring - M4	61 - 105
0805 0089	Retaining Ring - M4	29 - 105
0805 0089	Retaining Ring - M4	33 - 106
0805 0089	Retaining Ring - M4	7 - 105
0805 0089	Retaining Ring - M4	35 - 107
0805 0089	Retaining Ring - M4	23 - 103
0805 0089	Retaining Ring - M4	25 - 106
0805 0092	Retaining Ring - 3m	37 - 105
0807 5056	Washer - 8.1mm	63 - 109

Part No.	Description	Page and Index No.
0954 4008N	Screw - M4x8	75 - 107
1105 0195	PCB Stud	71 - 105
1105 0299	Locking Card Spacer - KGLS-18S	73 - 103
1105 0328	Harness Clamp - ES-0505	67 - 105
1105 0487	Harness Clamp	67 - 106
1105 0487	Harness Clamp	61 - 108
1105 0488	Harness Clamp	59 - 107
1105 0488	Harness Clamp	71 - 106
1105 0488	Harness Clamp	63 - 111
1105 0488	Harness Clamp	75 - 111
1105 0488	Harness Clamp	73 - 104
1105 0489	Harness Clamp - LWS 1316	75 - 110
1105 0489	Harness Clamp - LWS 1316	73 - 106
1105 0489	Harness Clamp - LWS 1316	45 - 110
1105 0508	Harness Clamp - LWS-0711	39 - 115
1105 0508	Harness Clamp - LWS-0711	45 - 111
1105 0508	Harness Clamp - LWS-0711	49 - 107
1105 0508	Harness Clamp - LWS-0711	55 - 107
1105 0508	Harness Clamp - LWS-0711	43 - 108
1105 0514	Edge Saddle - EDS-0607L	37 - 107
1105 0514	Edge Saddle - EDS-0607L	61 - 109
1105 0516	Clamp	9 - 106
1105 0516	Clamp	29 - 106
1105 0516	Clamp	27 - 105
1105 0516	Clamp	69 - 105
1105 0516	Clamp	39 - 111
1105 0516	Clamp	31 - 109
1105 0517	Harness Clamp - LWS-2111Z	73 - 107
1105 0518	Edge Saddle - LES-1010	75 - 112
1105 0518	Edge Saddle - LES-1010	57 - 108
1105 0518	Edge Saddle - LES-1010	39 - 114
1105 0518	Edge Saddle - LES-1010	27 - 106
1105 0518	Edge Saddle - LES-1010	45 - 112
1105 0521	Clamp - LES-1017	73 - 108
1105 0521	Clamp - LES-1017	39 - 116

Part No.	Description	Page and Index No.
1105 0522	Edge Saddle - LES0510	35 - 111
1105 0522	Edge Saddle - LES0510	9 - 107
1105 0522	Edge Saddle - LES0510	73 - 109
1105 0522	Edge Saddle - LES0510	33 - 108
1105 0522	Edge Saddle - LES0510	63 - 112
1105 0522	Edge Saddle - LES0510	39 - 112
1105 0522	Edge Saddle - LES0510	57 - 109
1105 0522	Edge Saddle - LES0510	25 - 110
1105 0522	Edge Saddle - LES0510	15 - 109
1105 0522	Edge Saddle - LES0510	23 - 104
1105 0522	Edge Saddle - LES0510	55 - 108
1105 0522	Edge Saddle - LES0510	29 - 107
1105 0522	Edge Saddle - LES0510	51 - 106
1105 0623	Clamp - LBWS-0206S-V0	55 - 106
1105 0623	Clamp - LBWS-0206S-V0	35 - 110
1105 0623	Clamp - LBWS-0206S-V0	25 - 109
1105 0623	Clamp - LBWS-0206S-V0	49 - 106
1105 0623	Clamp - LBWS-0206S-V0	51 - 105
1105 0623	Clamp - LBWS-0206S-V0	33 - 109
1105 0623	Clamp - LBWS-0206S-V0	57 - 107
1105 0623	Clamp - LBWS-0206S-V0	23 - 105
1105 0623	Clamp - LBWS-0206S-V0	17 - 105
1105 0623	Clamp - LBWS-0206S-V0	11 - 106
1105 0623	Clamp - LBWS-0206S-V0	63 - 113
1105 0623	Clamp - LBWS-0206S-V0	13 - 105
1105 0623	Clamp - LBWS-0206S-V0	67 - 104
1105 0623	Clamp - LBWS-0206S-V0	69 - 106
1105 0623	Clamp - LBWS-0206S-V0	65 - 104
1105 0623	Clamp - LBWS-0206S-V0	15 - 107
1105 0623	Clamp - LBWS-0206S-V0	43 - 109
1105 0623	Clamp - LBWS-0206S-V0	39 - 113
1105 0623	Clamp - LBWS-0206S-V0	71 - 107
1105 0623	Clamp - LBWS-0206S-V0	37 - 106
1105 0623	Clamp - LBWS-0206S-V0	61 - 107
1105 0623	Clamp - LBWS-0206S-V0	73 - 105

Part No.	Description	Page and Index No.
1105 0717	Clamp:JDW-1S	15 - 108
1107 1280	Fuse:BJ51512F2	75 - 113
1150 0373	Power Supply Code:125V 15A NA	3 - 105
1204 2544	Switch - DE2L-BJ23	61 - 110
1204 2842	Switch:FA1L-CJAG	75 - 114

Part No.	Description	Page and Index No.
5053 0447	Bushing - 6mm	69 - 20
5201 2722	Bushing - M6x5	31 - 5
5201 2722	Bushing - M6x5	33 - 7
5206 2686	Snap Ring	45 - 19
5215 2621	Snap Ring - M6	41 - 17
5447 2681	Snap Ring	29 - 7
5447 2681	Snap Ring	43 - 12
5447 2681	Snap Ring	57 - 31
5919 2127	Positioning Roller Pulley	29 - 12
5919 2132	Positioning Roller Belt	29 - 9