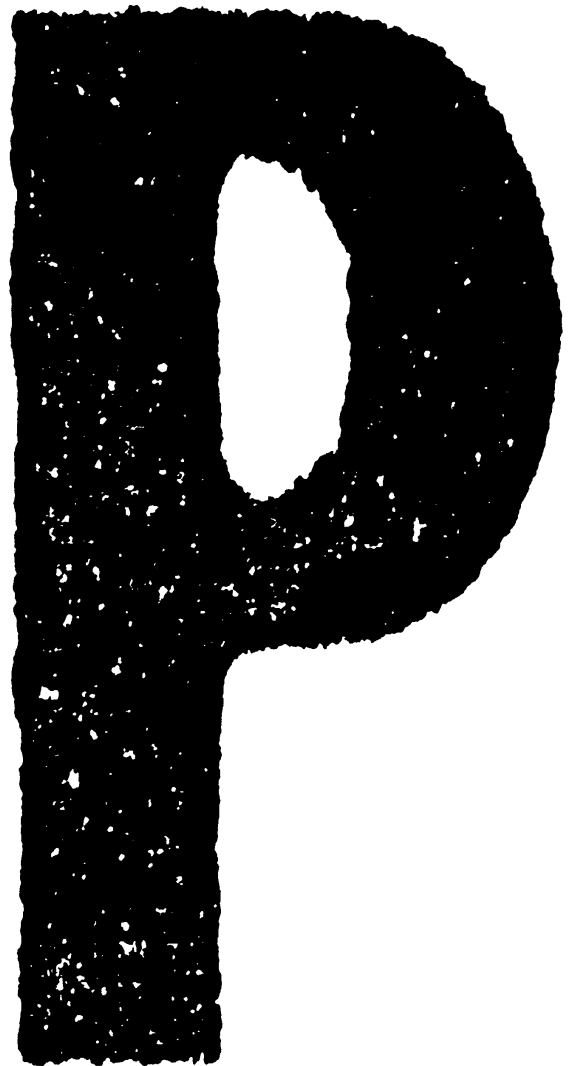


SERVICE PARTS LIST
REVERSING AUTOMATIC DOCUMENT FEEDER
MR-3023



© 2009 TOSHIBA TEC CORPORATION All rights reserved

Under the copyright laws, this manual cannot be reproduced in any form without prior written permission of TOSHIBA TEC CORPORATION. No patent liability is assumed, however, with respect to the use of the information contained herein.

EXPLANATION OF SERVICE-PARTS LIST

1. HOW TO READ THE PARTS LIST

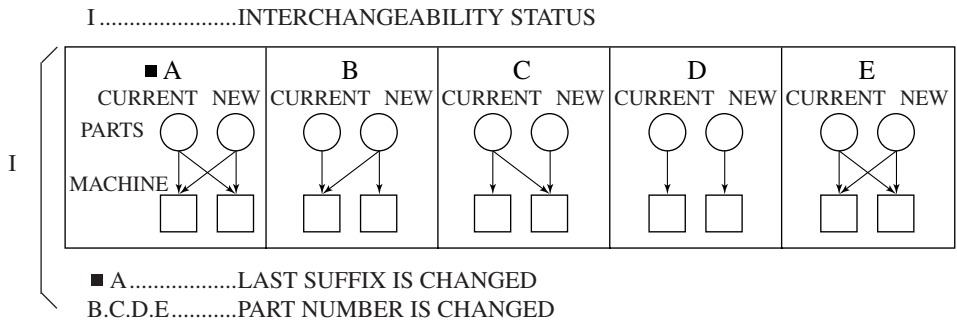
- (1) Number of pieces
The number of pieces in the list denotes total pieces used per unit. But the numbers in the list for PACKING MATERIAL and ACCESSORY denote total pieces used per machine.
- (2) One pack of screws in the list includes 50 pieces.
- (3) ABBREVIATED CODES

QTY/PAC

- QTY.....one piece
- PAC.....one pack
- 1/P.....one piece packed in polyethylene bag
- 1/S.....one piece packed in special pack
- 1/C.....one piece packed in carton box
- 1/PP.....one piece packed in paper and polyethylene bag
- 1/KP.....one piece packed in polyethylene bag with cardboard
- 1/D.....one piece packed in polyethylene-cushion bag
- 1/SB.....one piece packed in shielding bag
- N/A.....not available

P

- P.....PURPOSE
- A.....ADD
- B.....DELETE
- C.....CHANGE
- D.....QTY, CHANGE
- E.....MISENTRY
- F.....OMISSION



2. HOW TO PLACE ORDER FOR PARTS

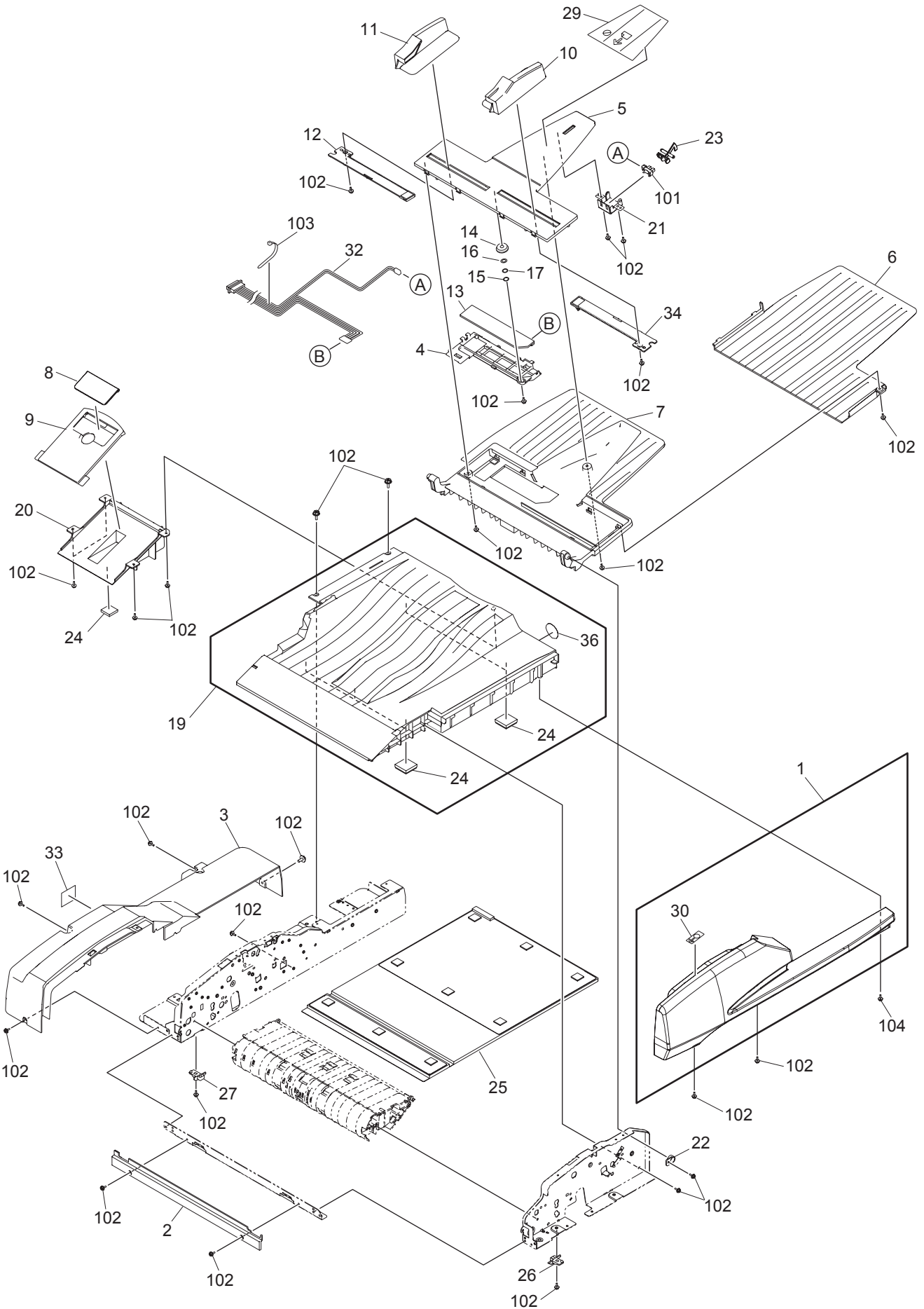
- (1) The parts handled as service parts are only those with their "QTY/PACK" column listed with a quantity other than "N/A***" or "SUPPLY".
Those parts with "N/A***" are listed only for the purpose of showing the mechanical construction, those listed with "SUPPLY" are handled only as a sales item, and therefore both types of parts are not supplied as service parts.
- (2) Orders for any parts which form a component of a semi-assembled unit are not acceptable.
Note: All the screws and nuts used are ISO standard.

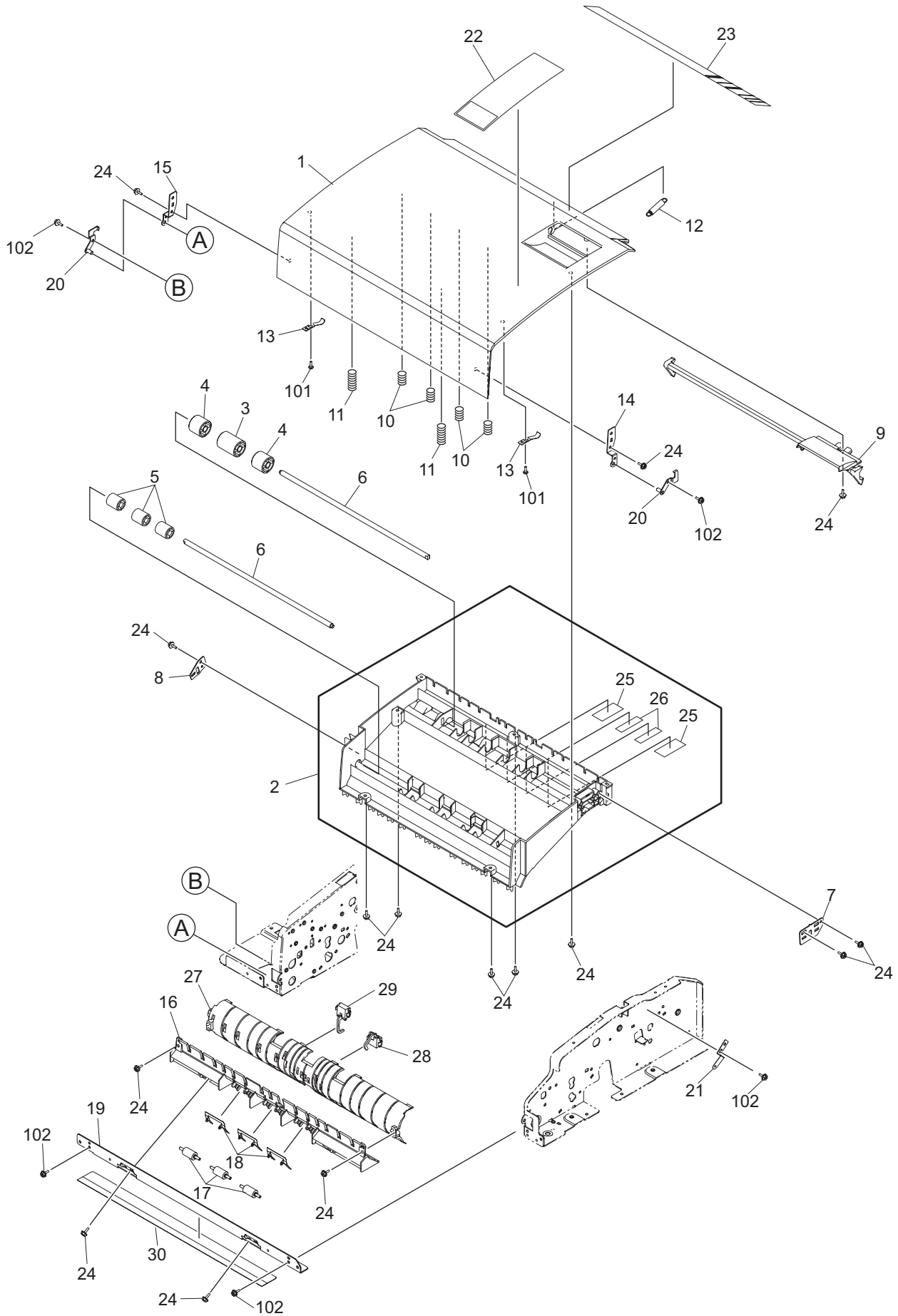
3. REGION

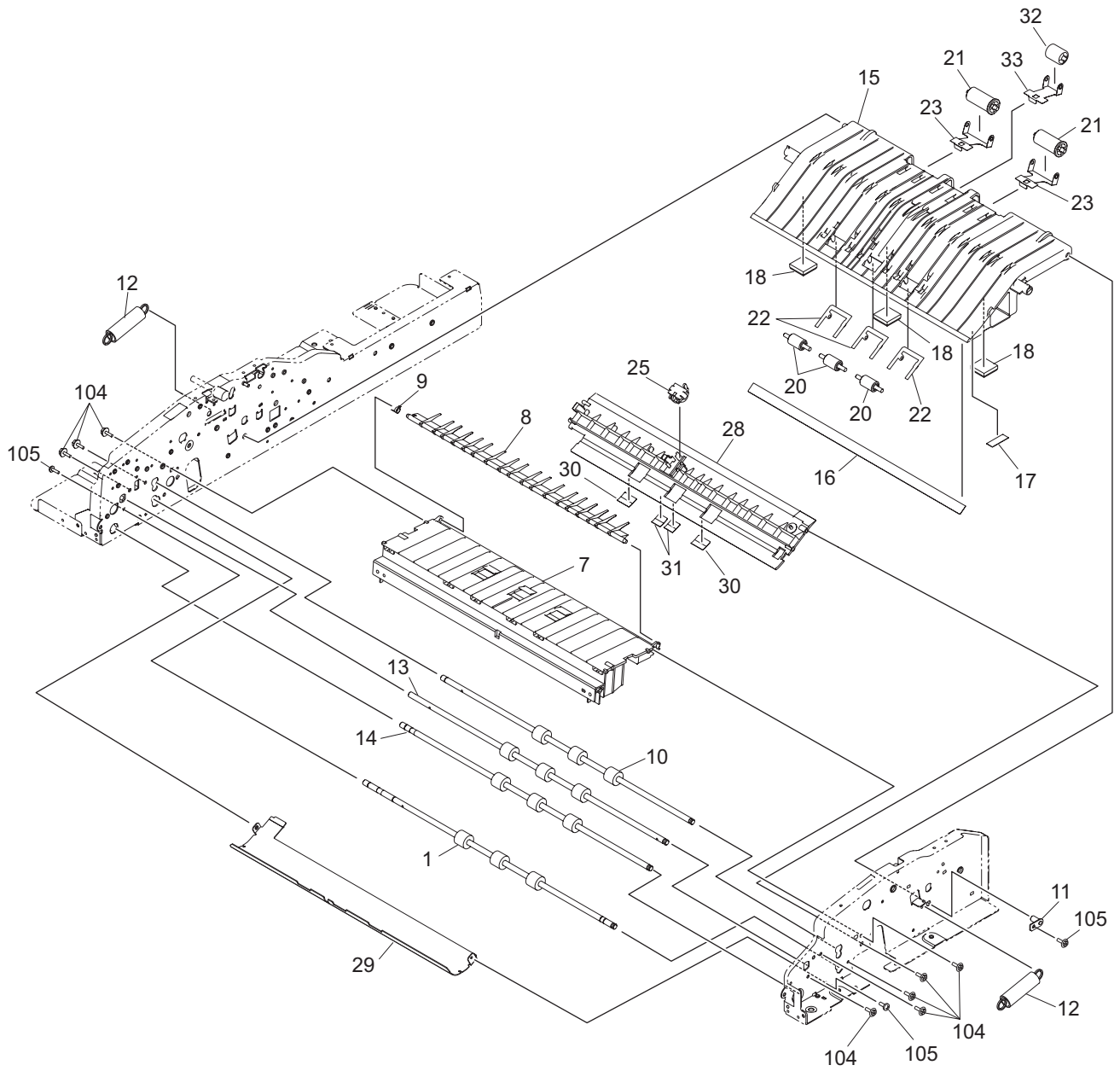
- NAD.....115V
50/60Hz, NORTH AMERICA, SOUTH AMERICA
- TWD.....110/220V
50/60Hz, TAIWAN
- SAD.....127V/60Hz, SAUDI ARABIA
- ASD.....220-240V
50/60Hz, ASIA, SOUTH AMERICA, etc.
- ASU.....220-240V
50/60Hz, ASIA, etc.
- AUD.....220-240V
50/60Hz, AUSTRALIA
- MJD.....220-240V
50/60Hz, EUROPE
- CND.....220-240V
50/60Hz, CHINA
- KRD.....220-240V
50/60Hz, KOREA

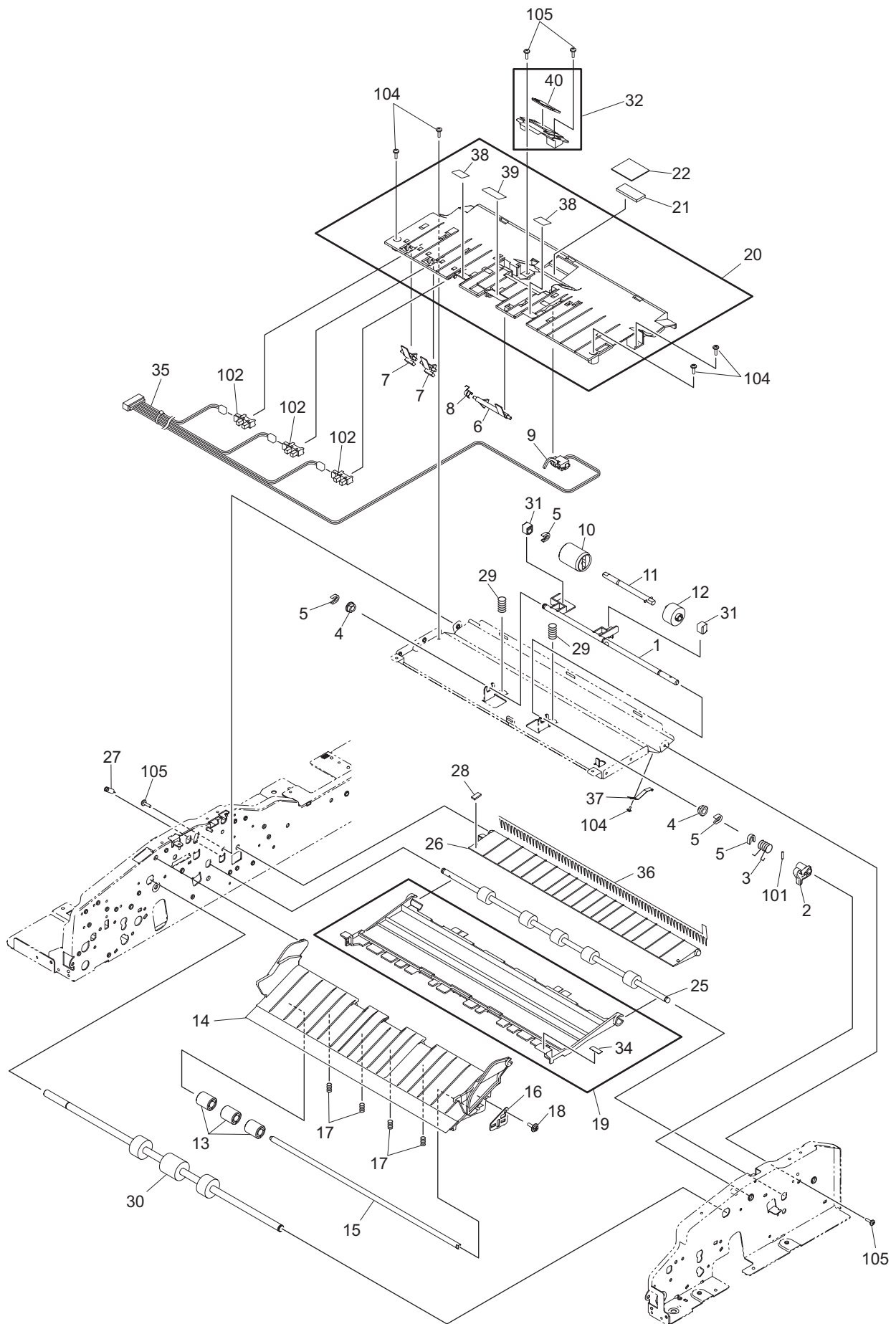
CONTENTS

COVER-ASM	1
GUIDE-OPEN-ASM	2
FEED-1-ASM	3
FEED-2-ASM	4
FEED-3-ASM	5
FEED-DRIVE-ASM	6
HINGE-ASM.....	7
ACCESSARY & ROL-KIT.....	11
DOWNLOAD JIGS	12

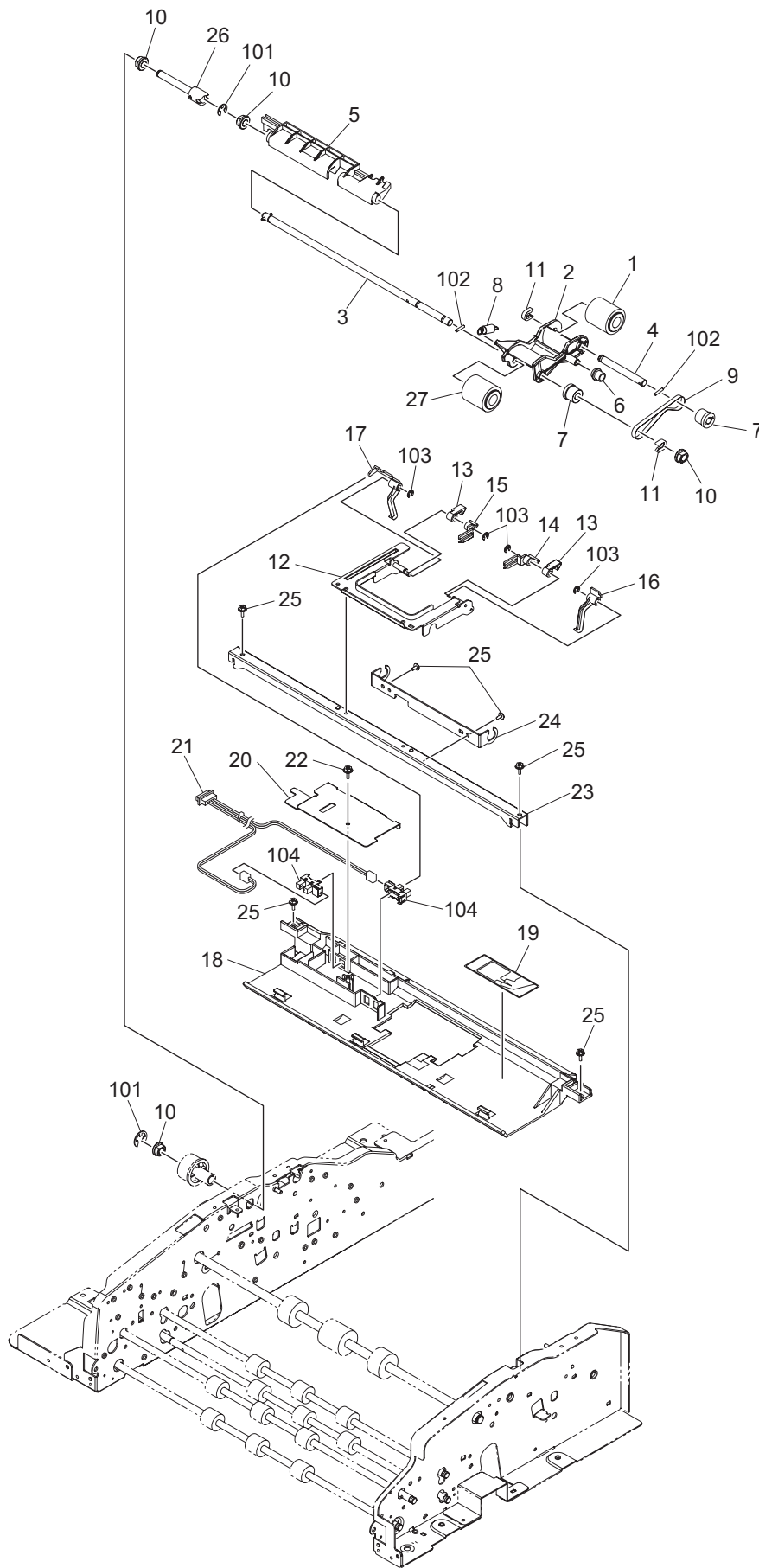




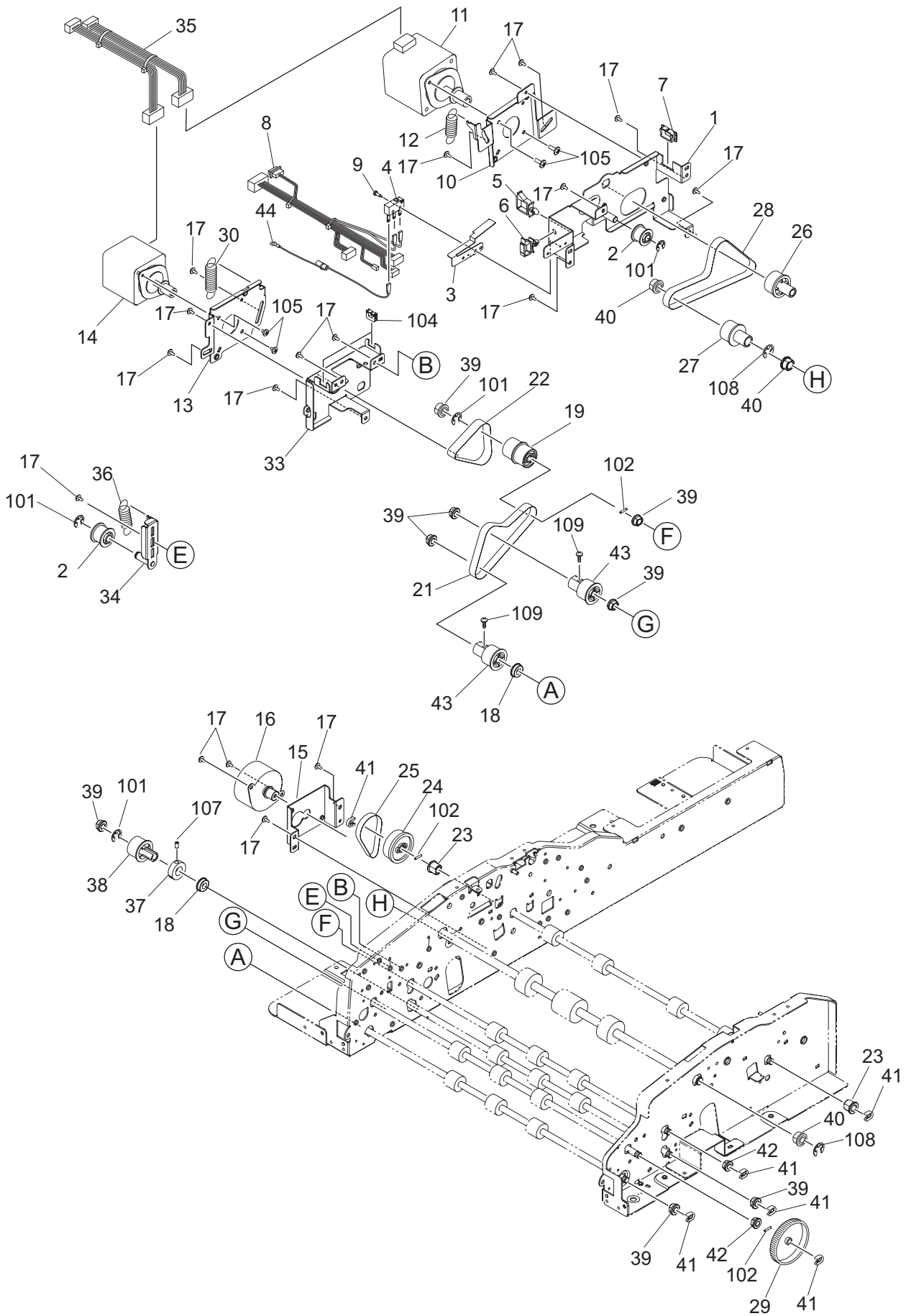




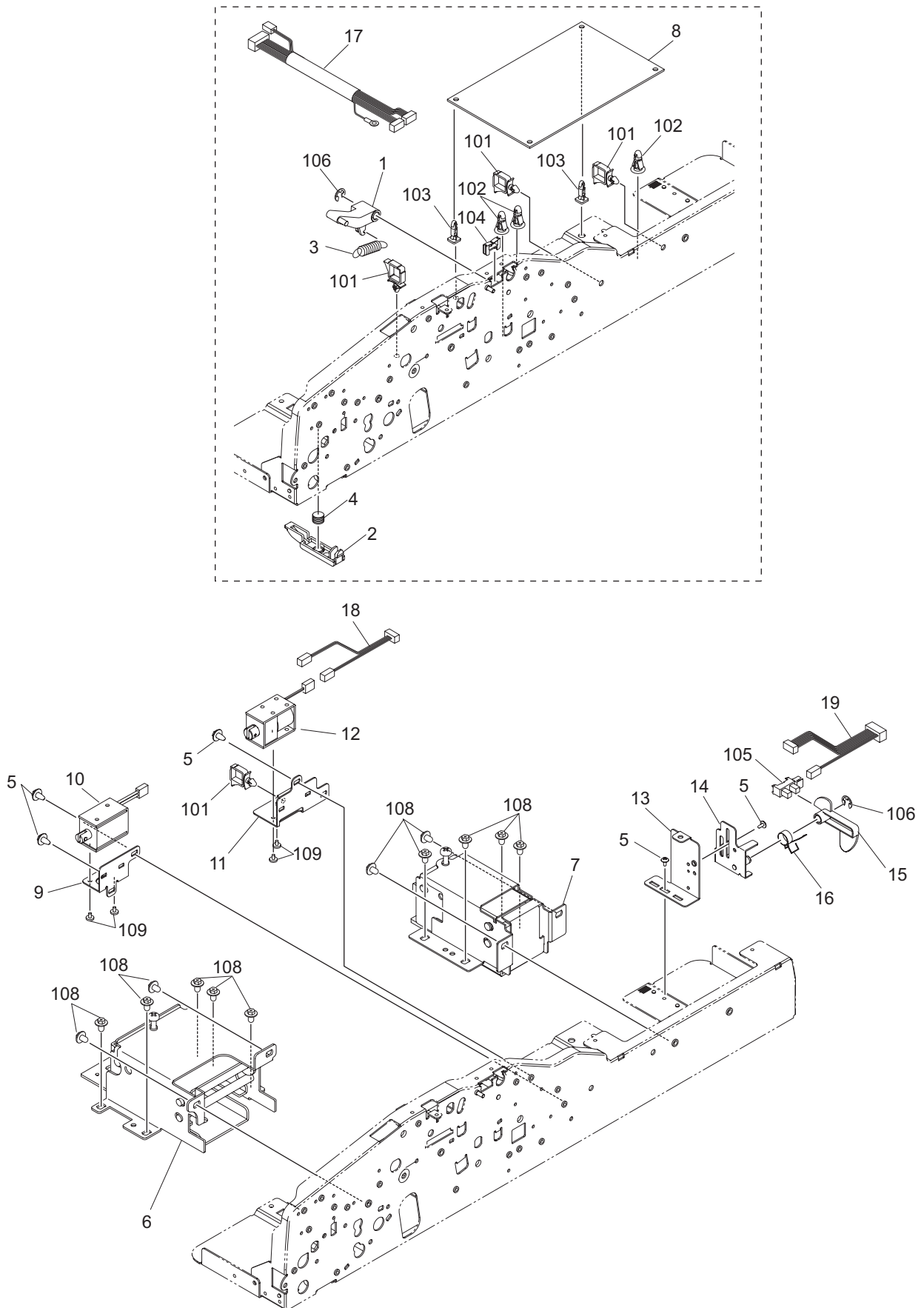
ITEM No.	PART No.	PART NAME	Q'TY / PAGE	Q'TY / PACK	P	I	R	BSI No.	TO	FROM	REMARKS
1	6LE50194000	LEVER-CAM-RET	1	1/KP							
2	6LE50198000	ARM-LVR-CAM-RET	1	1/P							
3	6LE50202000	SPG-T-LVR-CAM-RET	1	1/P							
4	44201492000	BUSH-6-POM	1	5/P							
5	6LE49743000	STOP-RING-6-5-POM	4	5/P							
6	6LE50228000	LEVER-SENS-ALNG	1	1/P							
7	6LE50231000	LEVER-SENS-WIDTH	2	1/P							
8	6LE50234000	SPG-T-LVR-ALNG	1	1/P							
9	6LH57727000	SNSR-RUBY-LENG-502	1	1/C							
10 A	6LE50296000	ASYS-ROL-RET	1	1/P							
10 B	6LE49877000	ASYS-ROL-RET-RU	1	1/P							Service only for CND
11	6LE50237000	ASYS-SFT-RET-1	1	1/P							
12	6LH04750000	TL-SEP-ROL-Y-N	1	1/P							
13	6LE50406000	ROL-IDL-D16	3	1/P							
14	6LE49866000	ASYS-GID-SB-J-P	1	1/C							
15	6LE50411000	SFT-IDL-D16	1	1/P							
16	6LE50044000	PLT-SFT-IDL-D16	1	1/P							
17	6LE50046000	SPG-C-SB-ALNG	4	1/P							
18	X0-02252000	S/TPP/FHEXM-4X10-NI	1	10/P							
19	6LE59908000	ASYS-GID-EXT-U-PC	1	1/KP							
20	6LE59803000	ASYS-GID-FD-D-P-M	1	1/PP							
21	6LE50222000	CUSION-BRAKE-P	1	1/P							
22	6LE50225000	SHEET-BRAKE-P	1	1/P							
25	6LE59635000	ROL-EXIT-PC-PS	1	1/KP							
26	6LE49978000	FLAP-EXIT	1	1/D							
27	6LE49982000	SPG-E-FLAP-EXIT	1	1/P							
28	6LE49979000	CUSH-FLAP-EXIT	1	5/P							
29	6LE59825000	SPG-C-ROL-RET-5UP	2	1/P							
30	6LE49830000	ROL-ALNG-PS	1	1/KP							
31	6LE50252000	HLDR-SFT-RET	2	1/P							
32	6LH57643000	ASYS-COV-RET-H502	1	1/PP							
34	6LE49708000	LABEL-JAMOP-2	1	5/P							
35	6LE49537000	HRNS-RUBY-ALIGN2-623	1	1/P							
36	6LE49834000	BRUSH-ERS	1	1/KP							
37	6LE49788000	SPG-F-EARTH-BRS	1	1/P							
38	6LE50233000	FILM-ALNG-IN-D-S-0.05	2	1/P							
39	6LE50232000	FILM-ALNG-IN-D-L-0.05	1	1/P							
40	6LH57642000	PAD-COV-RET-H502	1	1/P							
101	6LB12138000	PIN-2X10	1	10/P							
102	C0-10813000	GP1A73ARJ00F	3	1/P							
104	6LA08935000	SCR-M3X6BISR-NI	5	10/P							
105	X0-01989000	S/TPP/BID-3X8-NI	2	10/P							

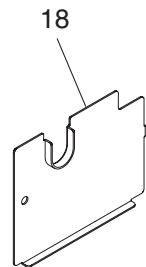
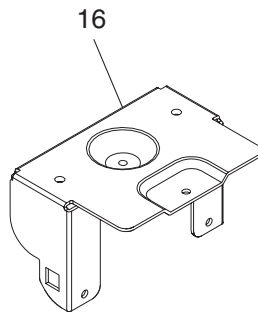
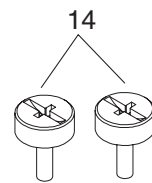
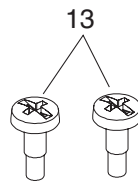
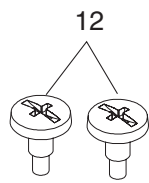
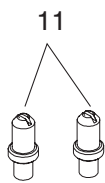
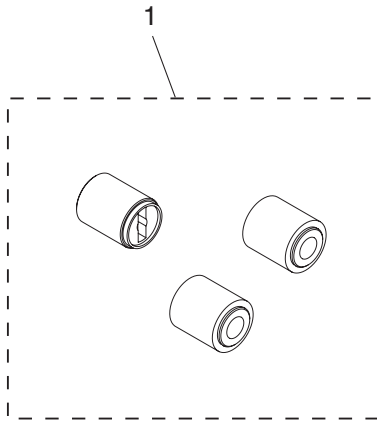


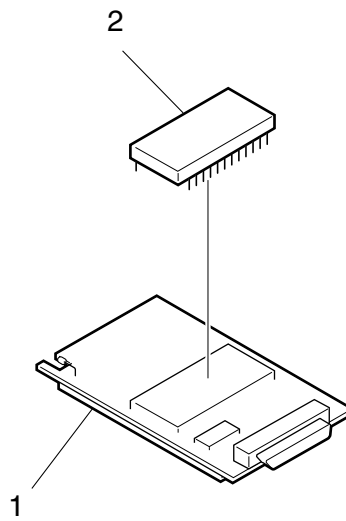
ITEM No.	PART No.	PART NAME	QTY / PAGE	QTY / PACK	P	I	R	BSI No.	TO	FROM	REMARKS
1	6LE50297000	ASYS-ROL-FEED	1	1/P							
2	6LE50310000	ASYS-HLDR-PICK	1	1/P							
3	6LE49794000	ASYS-SFT-FEED	1	1/D							
4	6LE50329000	SFT-FEED-PIC	1	1/P							
5	6LE50332000	LVR-PICK-JOINT	1	1/PP							
6	6LE50336000	ROL-TNSN-PICK	1	1/P							
7	6LE50339000	PULLY-1R5GT26-6	2	1/P							
8	6LE50342000	SPG-E-PICKUP	1	1/P							
9	6LE50345000	BELT-141-1R5GT-4	1	1/P							
10	6LE49739000	BUSH-6X10X6F-SBK	4	5/P							
11	6LE49743000	STOP-RING-6-5-POM	2	5/P							
12	6LE50354000	ASYS-BKT-STOP	1	1/P							
13	6LE50366000	ARM-STOPPER	2	1/P							
14	6LE50367000	LVR-STOPPER-F	1	1/P							
15	6LE50371000	LVR-STOPPER-R	1	1/P							
16	6LE50375000	STPR-PICK-F	1	1/P							
17	6LE50379000	STPR-PICK-R	1	1/P							
18	6LE59781000	GUIDE-FEED-U-M	1	1/PP							
19	6LE49706000	LABEL-INST-623	1	1/KP							
20	6LE50290000	PLT-COV-FEED	1	1/P							
21	6LE49504000	HRNS-RUBY-FEED2-623	1	1/P							
22	X0-02247000	S/TPP/FHEXM-3X8-NI	1	10/P							
23	6LE50274000	STAY-FEED-UP	1	1/P							
24	6LE50278000	BRKT-FEED-UP	1	1/P							
25	6LA08935000	SCR-M3X6BISR-NI	5	10/P							
26	6LE50061000	ASYS-CPG-FED	1	1/P							
27 A	6LE50297000	ASYS-ROL-FEED	1	1/P							Except CND CND Service only for CND
27 B	6LE50297000	ASYS-ROL-FEED	1	1/P							
27 C	6LE49876000	ASYS-ROL-FEED-RU	1	1/P							
101	X0-00966000	RR/E-5-SS	2	10/P							
102	6LB12138000	PIN-2X10	2	10/P							
103	X0-00964000	RR/E-3-SS	4	10/P							
104	C0-10813000	GP1A73ARJ00F	2	1/P							



ITEM No.	PART No.	PART NAME	QTY / PAGE	QTY / PACK	P	I	R	BSI No.	TO	FROM	REMARKS
1	6LE50089000	ASYS-BRKT-R-FED	1	1/P							
2	6LE50098000	ROL-TNSN-FEED	2	1/P							
3	6LE50102000	SPG-F-COV-JAM-SW	1	1/P							
4	E0-01859000	DE2L-BAAA	1	1/P							
5	F0-00365000	LWS-3S-2W	1	10/P							
6	F0-00235000	LWS-1S	1	5/P							
7	F0-01248000	ESC-0912	1	10/P							
8	6LE50867000	HRNS-RADF-FEED1-623	1	1/P							
9	44204394000	SCREW20*D23	1	10/P							
10	6LE59774000	PLT-MOT-FEED-643	1	1/P							
11	6LE64000000	MOTR_S-ADF-FEED-643	1	1/C							
12	6LE59844000	SPG-E-9R6X1X23R2	1	1/P							
13	6LE59775000	PLT-MOT-REED-643	1	1/P							
14	6LE64001000	MOTR_S-ADF-RD-643	1	1/C							
15	6LE59800000	PLT-MOT-EXIT-644	1	1/P							
16	6LE64005000	MOTR_S-RADF-EXIT-644	1	1/C							
17	6LA08935000	SCR-M3X6BISR-NI	20	10/P							
18	F0-00781000	LF-1260ZZ	2	1/P							
19	6LE49854000	PULLY-1R5GT40-6-W	1	1/P							
21	6LE59795000	BELT-207-1R5GT-8	1	1/P							
22	6LE50128000	BELT-150-1R5GT-10	1	1/P							
23	4401941910	BUSH-0610*95N-P	2	5/P							
24	6LE49975000	PULLY-1R5GT60-6	1	1/P							
25	6LE50058000	BELT-123-1R5GT-6	1	1/P							
26	6LE50073000	PULLY-1R5GT44-6-OW	1	1/P							
27	6LE50077000	PULLY-1R5GT40-8-OW	1	1/P							
28	6LE50081000	BELT-292R5-1R5GT-8	1	1/P							
29	6LE49810000	DIAL-RD-JAM	1	1/P							
30	6LE50169000	SPG-E-MOT-READ	1	1/P							
33	6LE59794000	BRKT-ROL-READ-M	1	1/P							
34	6LE50110000	ASYS-PLT-TNSN	1	1/P							
35	6LE63351000	HRNS-ADF-MOT-643	1	1/P							
36	6LE50134000	SPG-E-TNSN-READ	1	1/P							
37	6LE49767000	FLANGE-18-N	1	1/P							
38	6LE49863000	PULLY-1R5GT40-6-C	1	1/P							
39	6LE49739000	BUSH-6X10X6F-SBK	8	5/P							
40	6LA65698000	BUSH-8X12X8F	3	5/P							
41	6LE49743000	STOP-RING-6-5-POM	6	5/P							
42	44201492000	BUSH-6-POM	2	5/P							
43	6LE59633000	PULLY-1R5GT40-6-SCW	2	1/P							
44	6LE50868000	HRNS-RADF-POSI-623	1	1/P							
101	X0-00966000	RR/E-5-SS	4	10/P							
102	X0-00980000	P/PRL/AH7-2X10-SS	3	10/P							
103	X0-01453000	S/TPS/BID-4X8-NC	4	10/P							
104	F0-01493000	DS-02S	2	5/P							
107	X0-00736000	S/SET/K-M4X6-B	3	10/P							
108	X0-00968000	RR/E-7-SS	2	10/P							
109	X0-00074000	S/PAN-M3X8-NI	2	10/P							







TOSHIBA

TOSHIBA TEC CORPORATION

2-17-2, HIGASHIGOTANDA, SHINAGAWA-KU, TOKYO, 141-8664, JAPAN