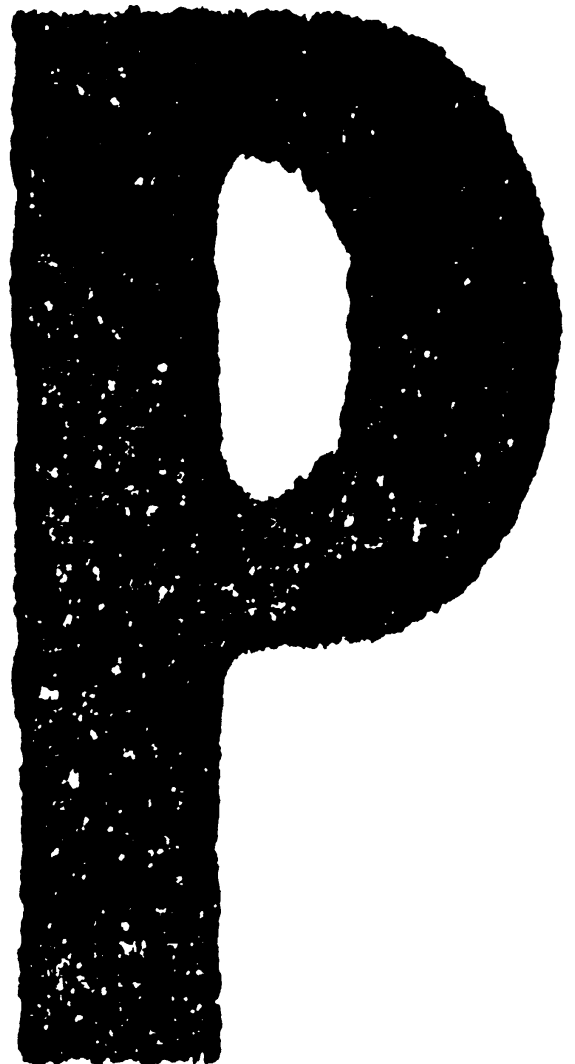


SERVICE PARTS LIST

PAPER FEED PEDESTAL

KD-1025



© 2009 TOSHIBA TEC CORPORATION All rights reserved

Under the copyright laws, this manual cannot be reproduced in any form without prior written permission of TOSHIBA TEC CORPORATION. No patent liability is assumed, however, with respect to the use of the information contained herein.

EXPLANATION OF SERVICE-PARTS LIST

1. HOW TO READ THE PARTS LIST

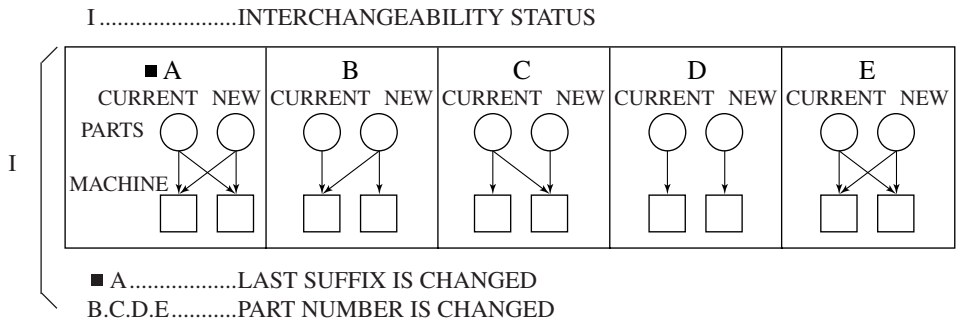
- (1) Number of pieces
The number of pieces in the list denotes total pieces used per unit. But the numbers in the list for PACKING MATERIAL and ACCESSORY denote total pieces used per machine.
- (2) One pack of screws in the list includes 50 pieces.
- (3) ABBREVIATED CODES

QTY/PAC

- QTY.....one piece
- PAC.....one pack
- 1/P.....one piece packed in polyethylene bag
- 1/S.....one piece packed in special pack
- 1/C.....one piece packed in carton box
- 1/PP.....one piece packed in paper and polyethylene bag
- 1/KP.....one piece packed in polyethylene bag with cardboard
- 1/D.....one piece packed in polyethylene-cushion bag
- 1/SB.....one piece packed in shielding bag
- N/A.....not available

P

- P.....PURPOSE
- A.....ADD
- B.....DELETE
- C.....CHANGE
- D.....QTY, CHANGE
- E.....MISENTRY
- F.....OMISSION



2. HOW TO PLACE ORDER FOR PARTS

- (1) The parts handled as service parts are only those with their "QTY/PACK" column listed with a quantity other than "N/A***" or "SUPPLY".
Those parts with "N/A***" are listed only for the purpose of showing the mechanical construction, those listed with "SUPPLY" are handled only as a sales item, and therefore both types of parts are not supplied as service parts.
- (2) Orders for any parts which form a component of a semi-assembled unit are not acceptable.
Note: All the screws and nuts used are ISO standard.

3. REGION

NAD.....115V
50/60Hz, NORTH AMERICA, SOUTH AMERICA

TWD.....110/220V
50/60Hz, TAIWAN

SAD.....127V/60Hz, SAUDI ARABIA

ASD.....220-240V
50/60Hz, ASIA, SOUTH AMERICA, etc.

ASU.....220-240V
50/60Hz, ASIA, etc.

AUD.....220-240V
50/60Hz, AUSTRALIA

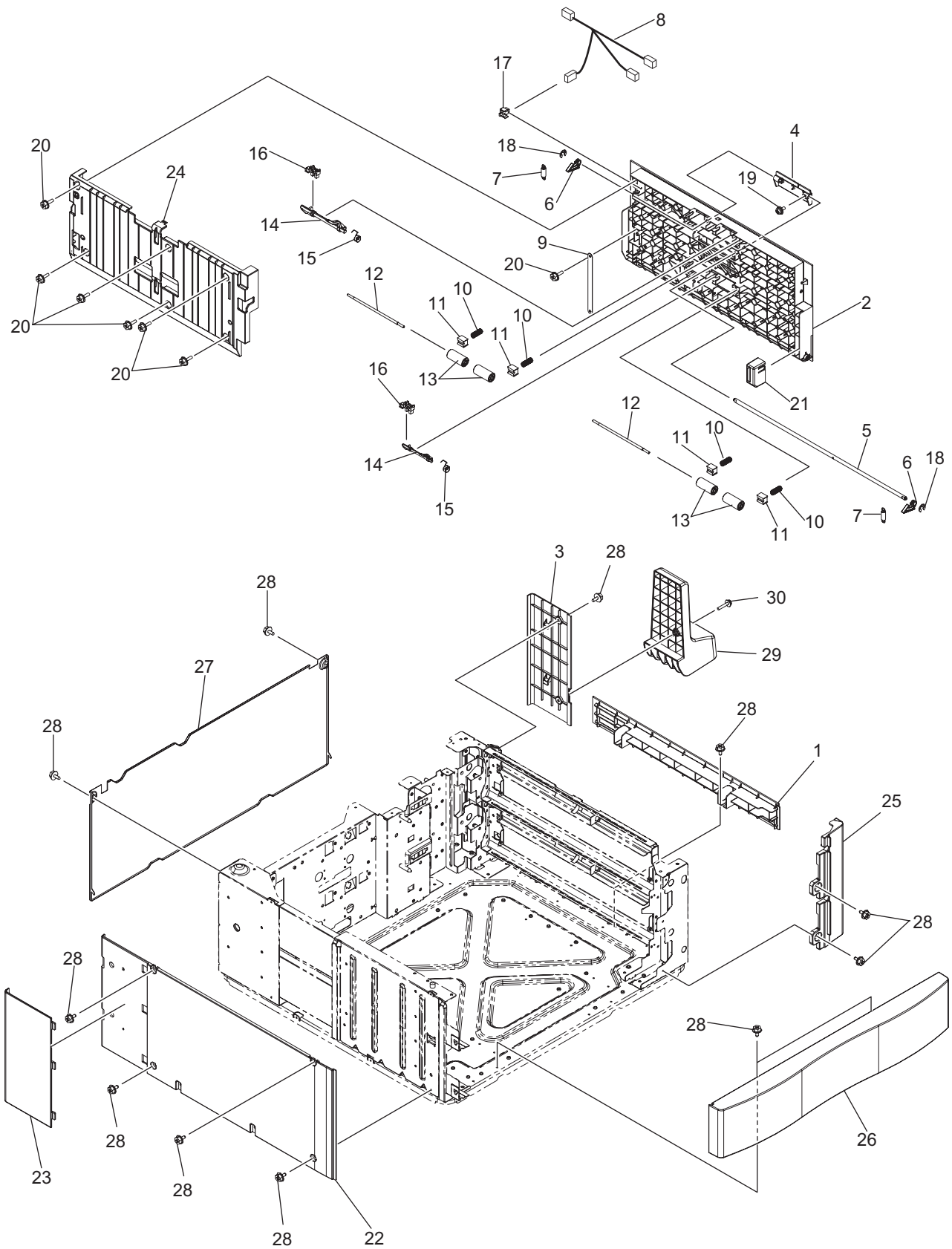
MJD.....220-240V
50/60Hz, EUROPE

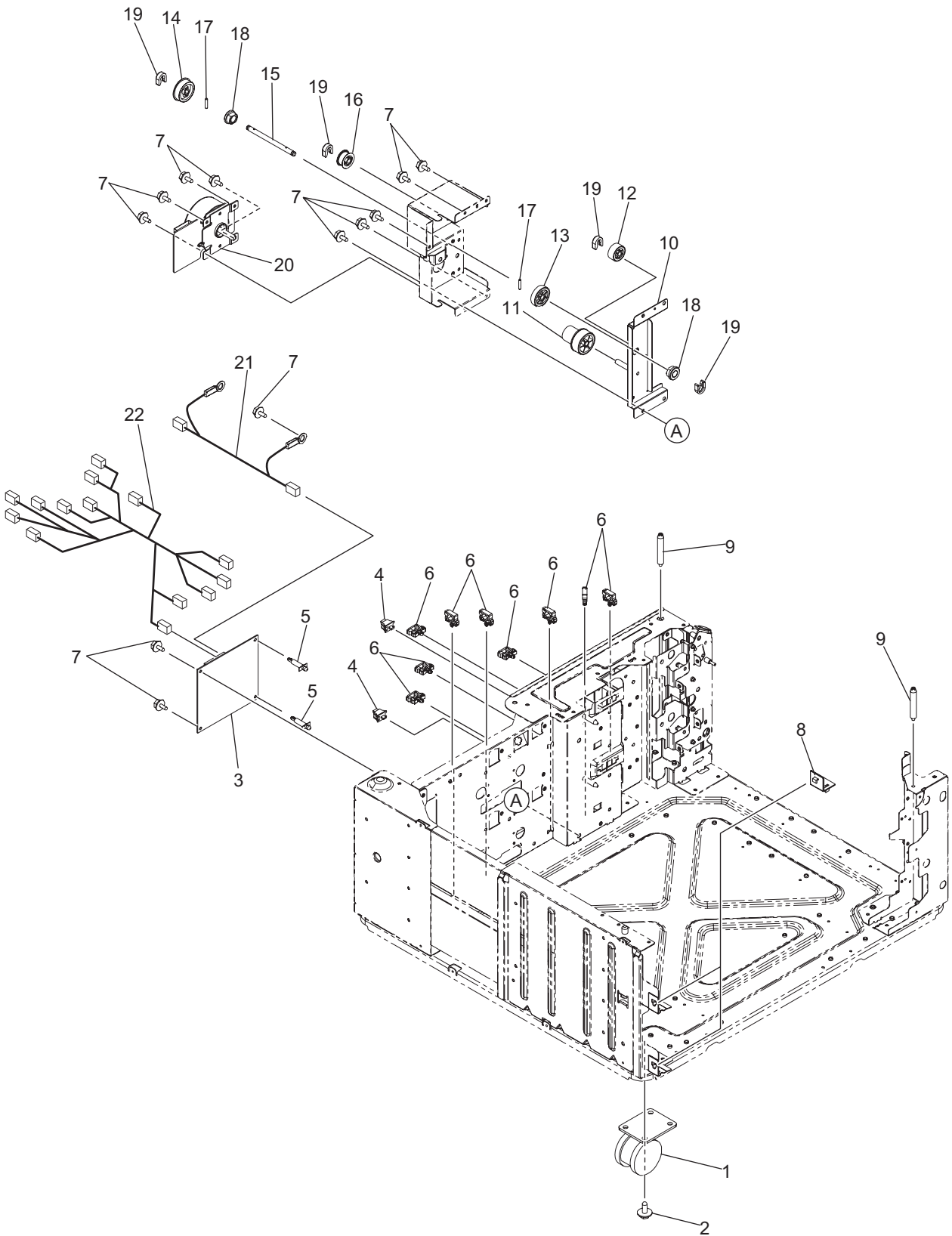
CND.....220-240V
50/60Hz, CHINA

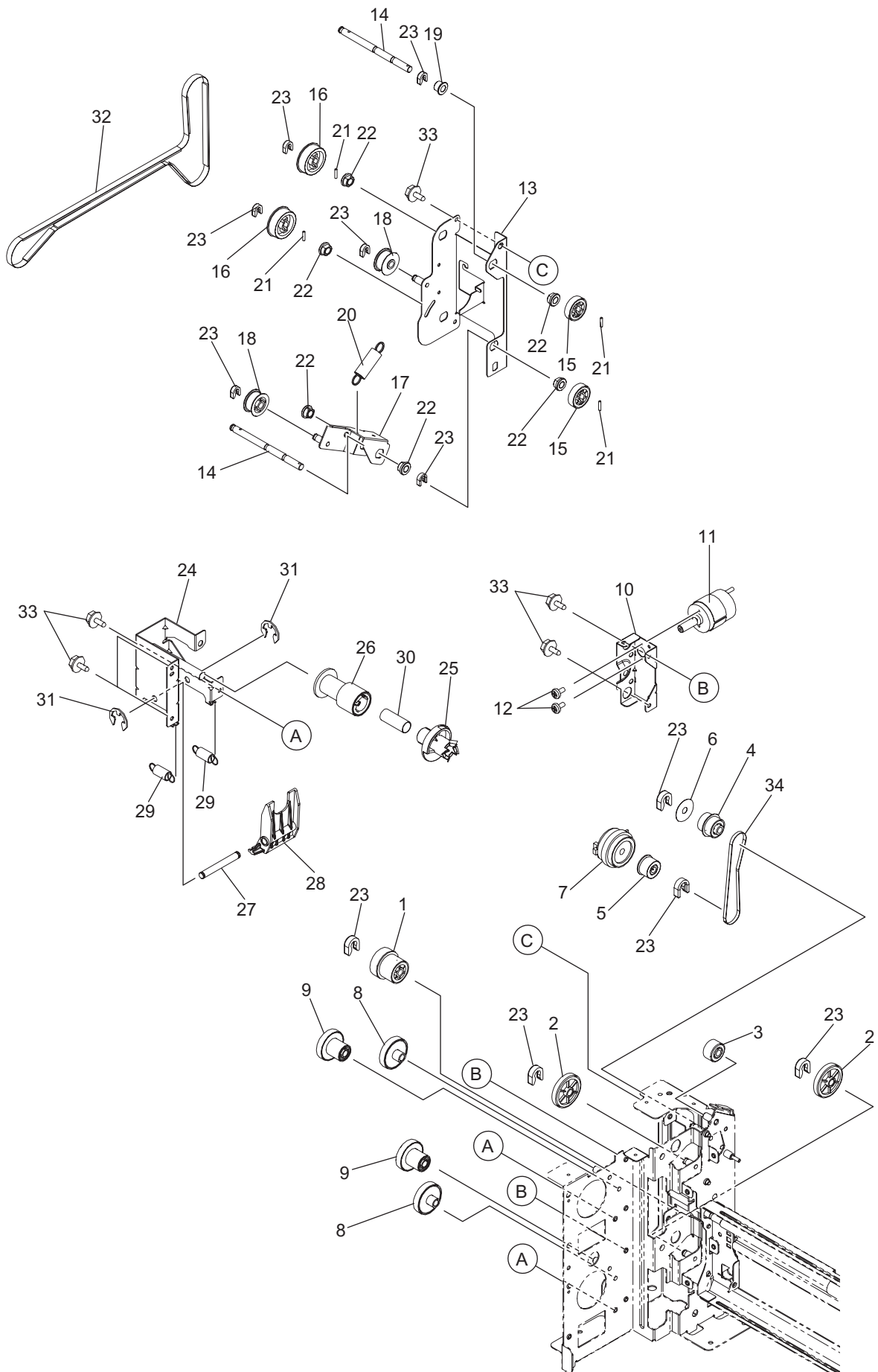
KRD.....220-240V
50/60Hz, KOREA

CONTENTS

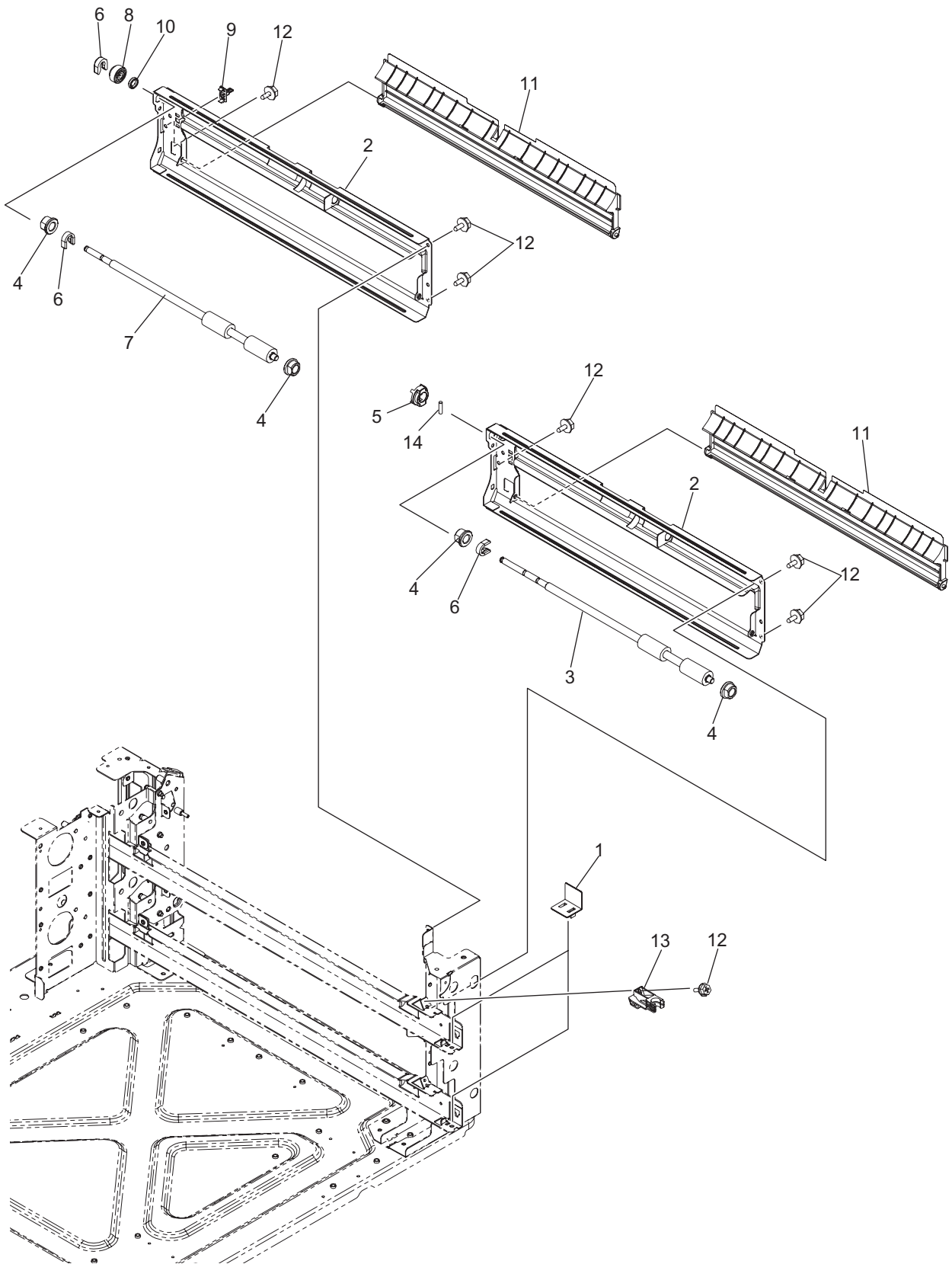
COVER-ASY	1
FRAME-ASY	2
DRIVE-ASY	3
FEED-ASY-1	4
FEED-ASY-2	5
FEED-ASY-3	6
DRAWER-ASY	7
COVER-FOOT-ASY	8
ROLLER-KIT	10

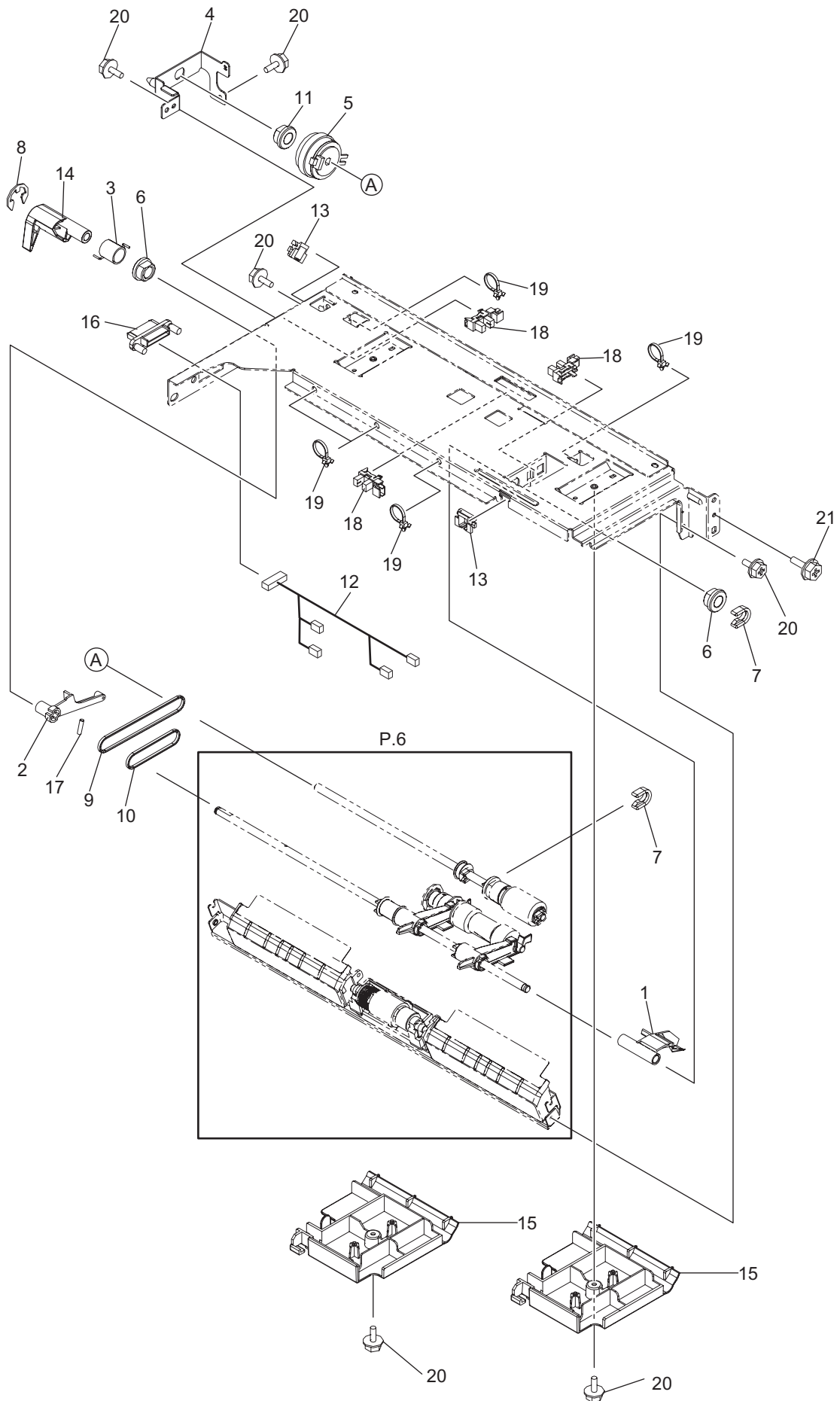




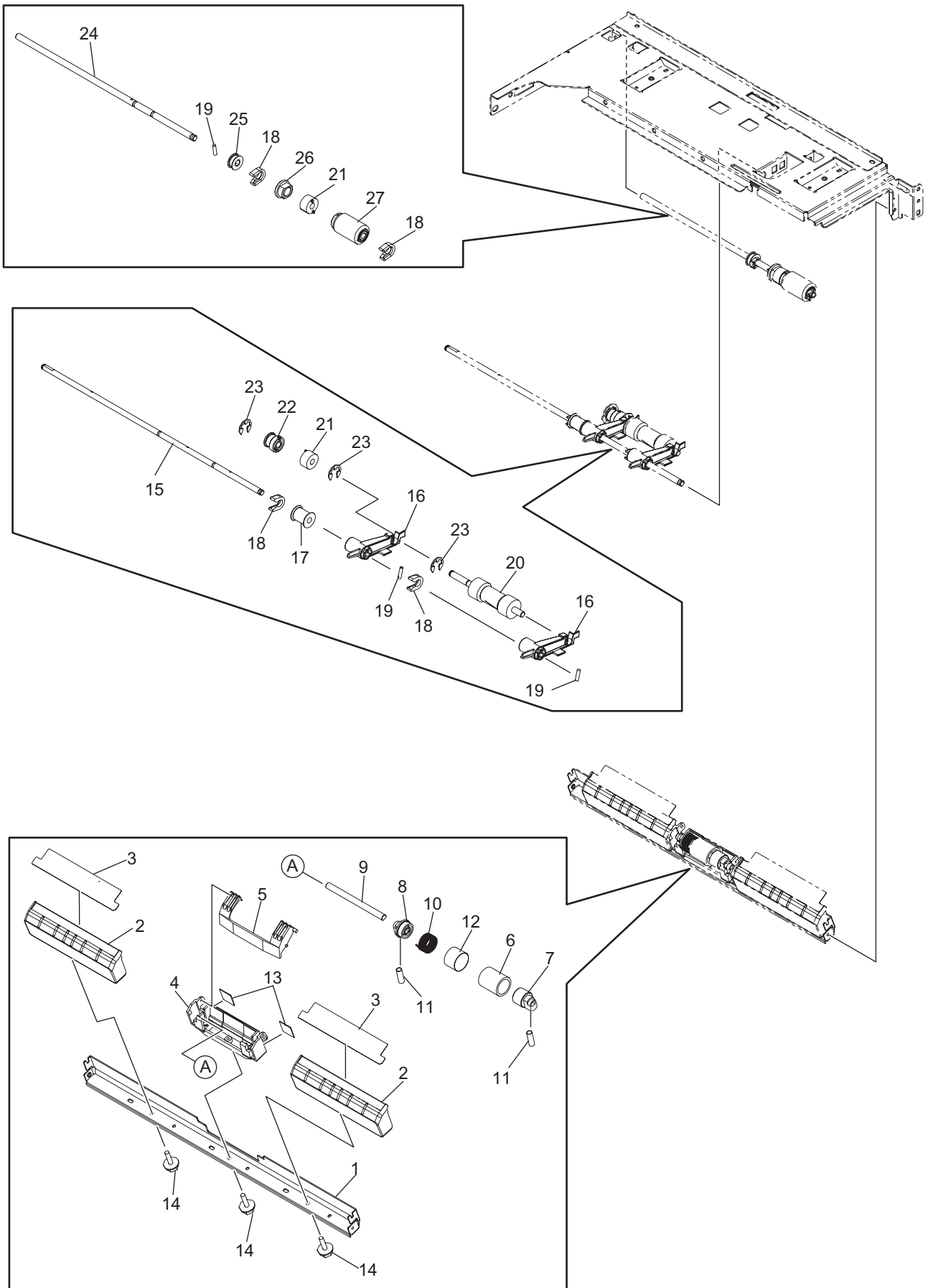


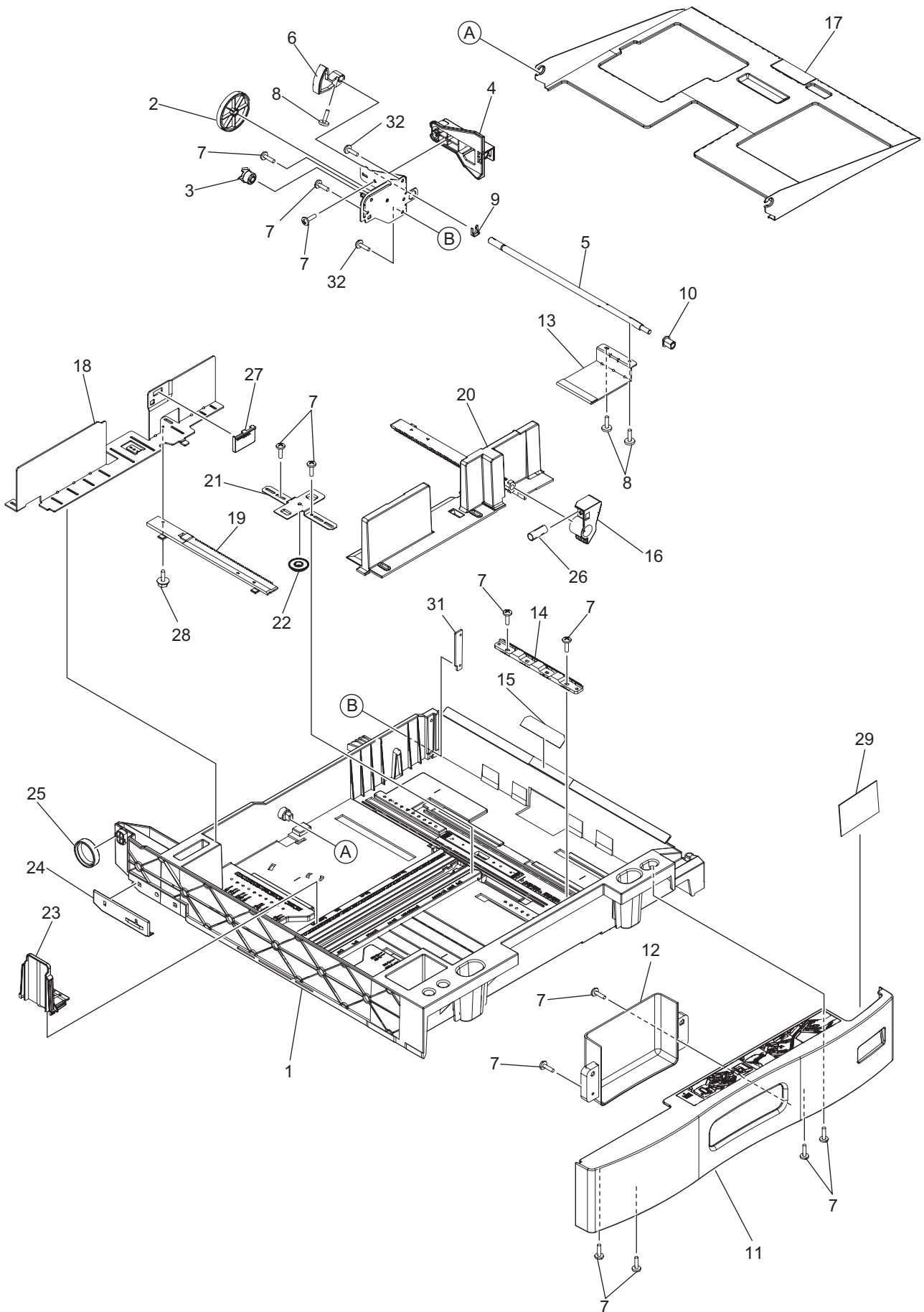
ITEM No.	PART No.	PART NAME	Q'TY / PAGE	Q'TY / PACK	REMARKS
1	6LH57980000	GEAR-10S25_10S20-6-I	1	1/P	
2	6LH57970000	GEAR-10S30-6-G	2	1/P	
3	6LH57965000	GEAR-10S16-6-M	1	1/P	
4	6LH57975000	GEAR-10S16_P2GT27-6-L	1	1/P	
5	6LH58085000	PULLY-2GT027-6	1	1/P	
6	41319076000	HWAS-PFP-SUS	1	10/P	
7	6LH51224000	CLUTCH-50C-G28-6	1	1/D	
8	6LH54301000	GEAR-IDLE-TRAYUP	2	1/P	
9	6LH54302000	GEAR-DRV-TRAYUP	2	1/P	
10	6LH58040000	BRKT-MOT-TRAYUP-PFP	2	1/P	
11	6LH03521000	ASYS-MOTRD-CTNR-430	2	1/C	
12	X0-01670000	S_PAN-M2.6X4-NC	4	10/P	
13	6LH58034000	ASYS-GEAR-LOIRE	1	1/P	
14	6LH57976000	SHAFT-DRV-GP	2	1/P	
15	6LH57979000	GEAR-10S20-6-E	2	1/P	
16	6LH57972000	PULLY-S3M28-6-E	2	1/P	
17	6LH58031000	ASYS-BRKT-TENS-IDL	1	1/P	
18	6LH57977000	PLY-TENSION-LOIRE	2	1/P	
19	6LH57909000	CLR-BELT-LOIRE	1	5/P	
20	6LH58054000	SPG-E-10R8X1X30R6-TENS	1	1/P	
21	X0-00980000	P_PRL_AH7-2X10-SS	4	10/P	
22	44201492000	BUSH-6-POM	6	5/P	
23	4407972860	STOP-RING-6-5	11	5/P	
24	6LH54315000	ASYS-BRKT-CPG-GEAR	2	1/P	
25	6LH54331000	ASYS-CPG-DRV-CST	2	1/P	
26	6LH54332000	ASYS-GEAR-DRV-CST	2	1/P	
27	6LH54316000	SHAFT-DRV-TRAYUP	2	1/P	
28	6LH54300000	LVR-CST-TRAYUP	2	1/P	
29	6LH54325000	SPRING-TRAYUP-L	4	1/P	
30	6LH54327000	SPRING-TRAYUP-U	2	1/P	
31	X0-00966000	RR_E-5-SS	4	10/P	
32	6LH58095000	BELT-S3M-699-4	1	1/P	
33	X0-02419000	S_TPS_FHEXM_R-3X6-ZU3	13	10/P	
34	6LH57931000	BELT-2GT-208-3	1	1/P	

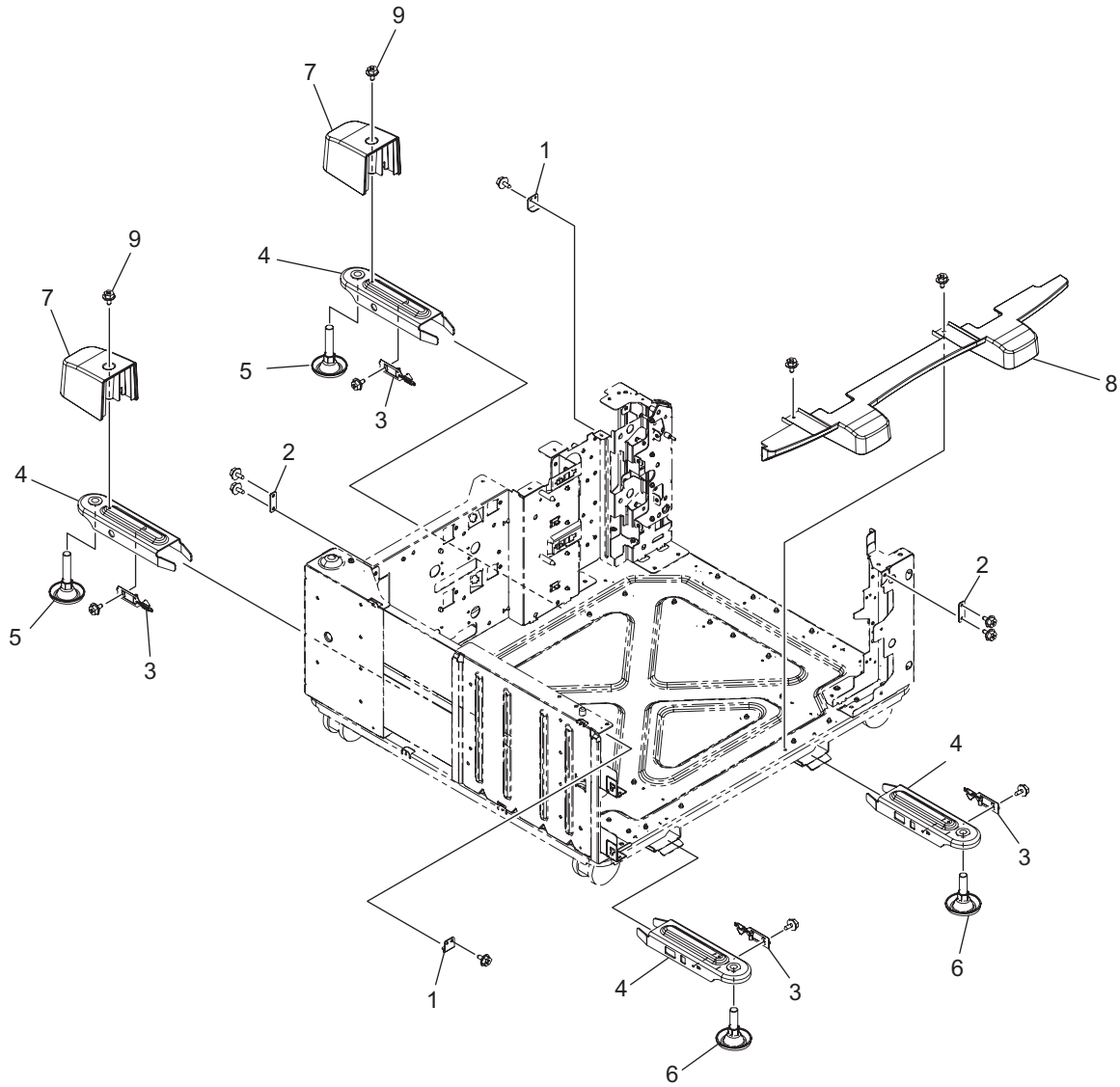


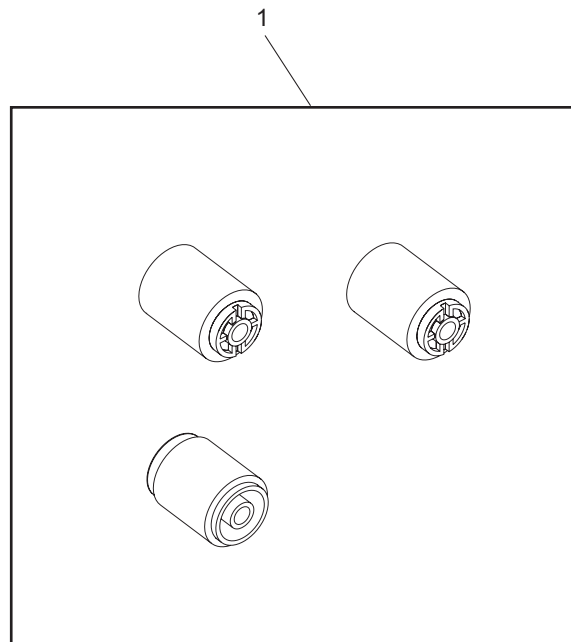


ITEM No.	PART No.	PART NAME	Q'TY / PAGE	Q'TY / PACK	REMARKS
1	6LH54303000	ACTR-EMPTY-MAX-PPR	1	1/D	
2	41318603000	ARM-FEED-UNIT	1	1/P	
3	41305501000	SPR-LVR-PICK	1	1/P	
4	6LH54328000	ASYS-BRKT-CLT-F47X	1	1/P	
5	6LH51224000	CLUTCH-50C-G28-6	1	1/D	
6	44201492000	BUSH-6-POM	2	5/P	
7	4407972860	STOP-RING-6-5	2	5/P	
8	X0-00966000	RR/E-5-SS	1	10/P	
9	41306504000	BLT/T-194-2GT-2	1	1/P	
10	41306502000	BLT/T-124-2GT-2	1	1/P	
11	6LH53768000	BUSH-6-NU4	1	1/P	
12	6LH61420000	HRNS-FEED-UNIT-471HF	1	1/P	
13	F0-00671000	EDS-0607M	2	5/P	
14	6LH54310000	LVR-CPG-GEAR	1	1/P	
15	6LH54308000	GUIDE-P-FEED-F47X	2	1/P	
16	E0-12621000	14R-RIZ-K4GG-FJ (LF)(SN)	1	5/P	
17	X0-00979000	P/PRL/AH7-2X8-SS	1	10/P	
18	C0-14266000	LG248BL1	3	1/C	
19	F0-01012000	T18R	6	5/P	
20	X0-02592000	S/TPD3/FHEXM-3X6-ZU3	6	10/P	
21	X0-02593000	S_TPD3_FHEXM-3X8-ZU3	1	10/P	









TOSHIBA

TOSHIBA TEC CORPORATION

2-17-2, HIGASHIGOTANDA, SHINAGAWA-KU, TOKYO, 141-8664, JAPAN