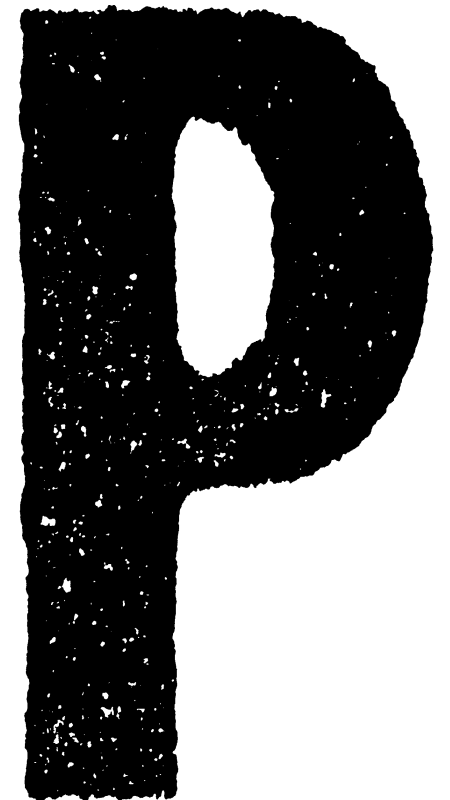


# SERVICE PARTS LIST

Punch Unit

## PU5020NA



## Punch Unit PU5020 (D449)

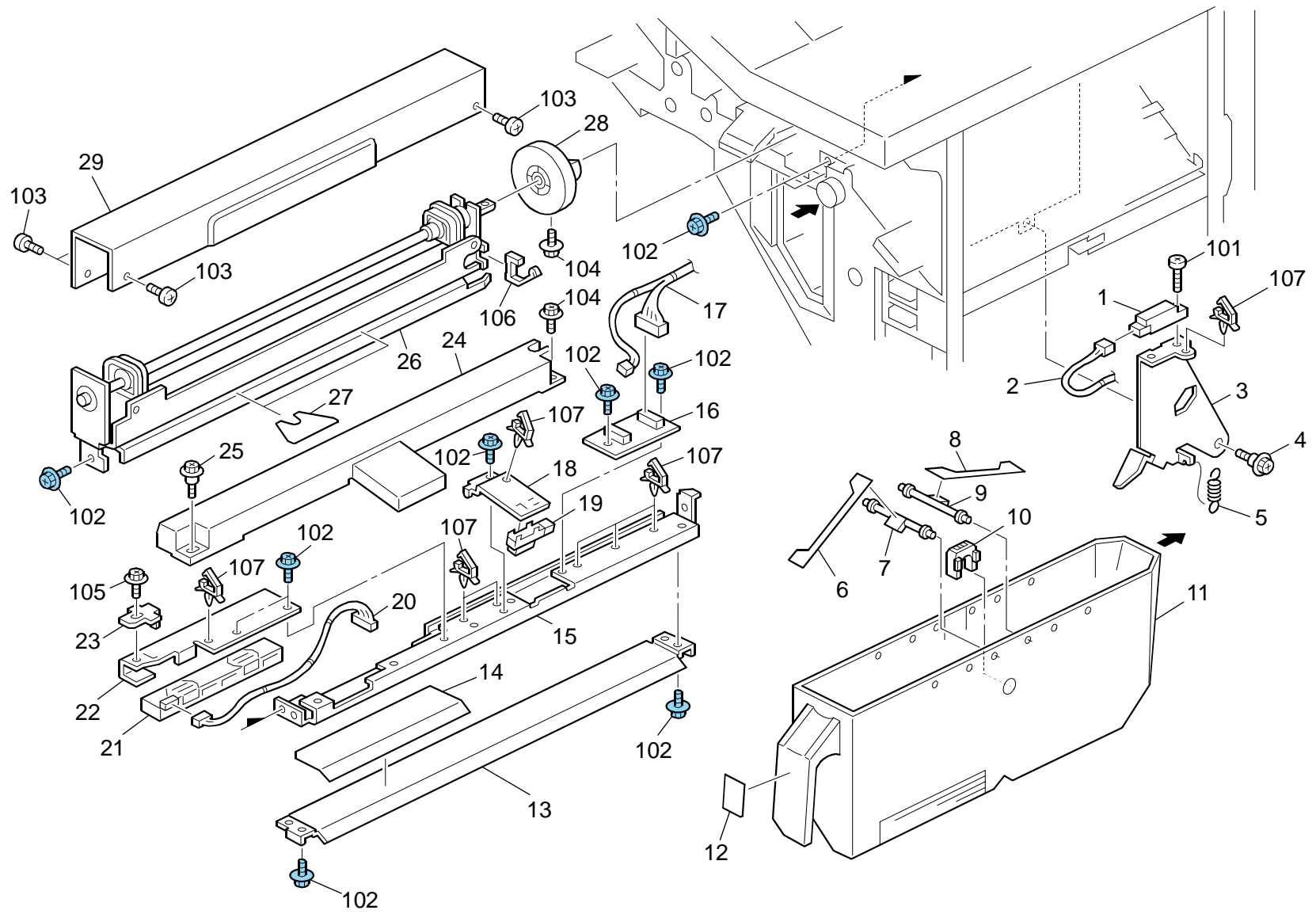
### PARTS CATALOG

This catalog gives the numbers and names of parts on this machine.

1.Punch Unit 1 (D449).....	2
2.Punch Unit 2 (D449).....	4
<b>Parts Index</b> .....	<b>8</b>

July 20, 2010

# 1.Punch Unit 1 (D449)

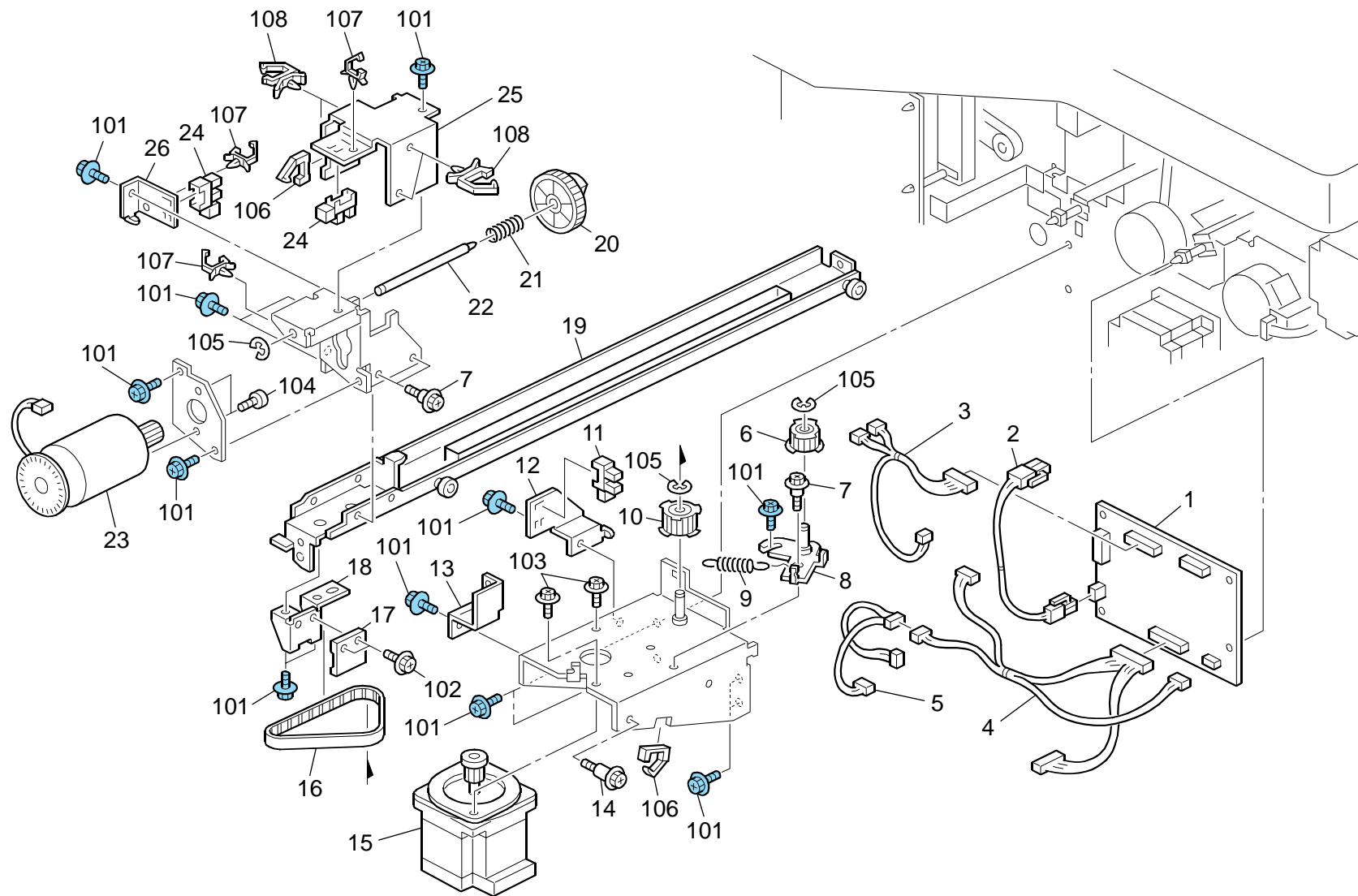


## 1.Punch Unit 1 (D449)

Index No.	Part No.	Description	Q'ty Per Assembly
1	AW01 0127	Paper Feed Sensor	1
2	D449 5848	Harness:Interface:Overflow:Sensor	1
3	D449 6111	Bracket:Lock:Toner Hopper	1
4	AA14 3790	Screw:Contact Point	1
5	A812 7331	Lock Spring	1
6	A812 7245	Film - Front	1
7	D449 4121	Pin:Toner Hopper:Protect:Front	1
8	A812 7246	Film - Rear	1
9	D449 4131	Pin:Toner Hopper:Protect:Rear	1
10	B545 7212	Toner Hopper Punch Guard	1
11	D449 4111	Hopper:Punch Unit	1
12	A606 1885	Decal - Hopper	1
13	D449 3121	Guide Plate:Punch Unit:Front Lower	1
14	D449 3151	Sheet:Sensor:CCD	1
15	D449 3111	Guide Plate:Punch Unit:Front Upper	1
16	B234 5280	PCB CRD	1
17	D449 5849	Harness:Punch:Sensor	1
18	D449 3171	Bracket:Sensor:Registration	1
19	GW01 0007	Photo Reflection Sensor:Exit	1
20	D449 5825	Harness:CIS:Base:CIS	1
21	B234 2750	Contact Image Sensor	1
22	D449 3131	Bracket:Positioning Sensor	1
23	D449 3141	Stay:Positioning Sensor	1
24	D449 3161	Cover:Guide Plate:Punch Unit	1
25	AA14 3702	Screw:Pin:Positioning	1
26	D449 1117	Punch Unit:2-3Hole:NA	1
27	D449 1231	Guide:Punch Unit	2
28	D449 1211	Ratchet:Punch:Drive	1
29	D449 1221	Cover:Punch Unit	1

Index No.	Part No.	Description	Q'ty Per Assembly
101	0313 0120N	Pan Head Screw:M3x12	
102	0454 3006Q	Tapping Screw - M3x6	
103	0453 3006N	Tapping Screw - M3x6	
104	0451 3008N	Tapping Screw - M3x8	
105	0451 4006N	Tapping Screw - 4x6	
106	1105 0522	Edge Saddle - LES0510	
107	1105 0623	Clamp - LBWS-0206S-V0	

## 2.Punch Unit 2 (D449)



## 2.Punch Unit 2 (D449)

Index No.	Part No.	Description	Q'ty Per Assembly
1	D449 5510	PCB:Punch	1
2	D449 5846	Harness:Sub:Punch:24V	1
3	D449 5820	Harness:Punch:Sensor:Interface	1
4	D449 5826	Harness:Punch:Punch Section:Motor	1
5	D449 5823	Harness:Connecting:Punch:HP Sensor	1
6	B302 1542	Timing Pulley - 20Z	1
7	AA14 3790	Screw:Contact Point	3
8	B706 1545	Tightener Bracket	1
9	AA06 2334	Tension Spring:4.9N	1
10	D449 2631	Timing Pulley:Punch Unit:Move	1
11	AW02 0114	Photo Interruptor - Lower Limit	1
12	D449 2641	Bracket:Home Position Sensor:Punch Unit	1
13	D449 2651	Stopper:Punch Unit	1
14	AA14 3702	Screw:Pin:Positioning	1
15	D449 5921	Stepper Motor - DC 7.2W	1
16	B890 4160	Timing Belt:B100S3M207	1
17	D449 2211	Stay:Punch Unit:Slide	1
18	D449 2191	Bracket:Stay:Timing Belt	1
19	D449 2111	Base:Slide:Punch Unit	1
20	D449 2151	Gear:Z45:Punch Unit:Drive	1
21	D449 2141	Compression Spring:Ratchet	1
22	D449 2131	Shaft:Gear:Punch:Drive	1
23	AX06 0379	DC Motor:24V:25.1W	1
24	AW02 0141	Photointerruptor	2
25	D449 2171	Bracket:Sensor:Punch Unit:Drive	1
26	D449 2181	Bracket:Home Position Sensor	1

Index No.	Part No.	Description	Q'ty Per Assembly
101	0454 3006Q	Tapping Screw - M3x6	
102	0451 3010N	Tapping Screw:3x10	
103	0451 4008N	Tapping Screw:4x8	
104	0313 0050N	Philips Pan Head Screw - M3x5	
105	0720 0040E	Retaining Ring - M4	
106	1105 0522	Edge Saddle - LES0510	
107	1105 0623	Clamp - LBWS-0206S-V0	
108	1105 0516	Clamp	

# Parts Index

## Parts Index

Part No.	Description	Page and Index No.
D449 1117	Punch Unit:2-3Hole:NA	3 - 26
D449 1211	Ratchet:Punch:Drive	3 - 28
D449 1221	Cover:Punch Unit	3 - 29
D449 1231	Guide:Punch Unit	3 - 27
D449 2111	Base:Slide:Punch Unit	5 - 19
D449 2131	Shaft:Gear:Punch:Drive	5 - 22
D449 2141	Compression Spring:Ratchet	5 - 21
D449 2151	Gear:Z45:Punch Unit:Drive	5 - 20
D449 2171	Bracket:Sensor:Punch Unit:Drive	5 - 25
D449 2181	Bracket:Home Position Sensor	5 - 26
D449 2191	Bracket:Stay:Timing Belt	5 - 18
D449 2211	Stay:Punch Unit:Slide	5 - 17
D449 2631	Timing Pulley:Punch Unit:Move	5 - 10
D449 2641	Bracket:Home Position Sensor:Punch Unit	5 - 12
D449 2651	Stopper:Punch Unit	5 - 13
D449 3111	Guide Plate:Punch Unit:Front Upper	3 - 15
D449 3121	Guide Plate:Punch Unit:Front Lower	3 - 13
D449 3131	Bracket:Positioning Sensor	3 - 22
D449 3141	Stay:Positioning Sensor	3 - 23
D449 3151	Sheet:Sensor:CCD	3 - 14
D449 3161	Cover:Guide Plate:Punch Unit	3 - 24
D449 3171	Bracket:Sensor:Registration	3 - 18
D449 4111	Hopper:Punch Unit	3 - 11
D449 4121	Pin:Toner Hopper:Protect:Front	3 - 7
D449 4131	Pin:Toner Hopper:Protect:Rear	3 - 9
D449 5510	PCB:Punch	5 - 1
D449 5820	Harness:Punch:Sensor:Interface	5 - 3
D449 5823	Harness:Connecting:Punch:HP Sensor	5 - 5
D449 5825	Harness:CIS:Base:CIS	3 - 20
D449 5826	Harness:Punch:Punch Section:Motor	5 - 4
D449 5846	Harness:Sub:Punch:24V	5 - 2
D449 5848	Harness:Interface:Overflow:Sensor	3 - 2
D449 5849	Harness:Punch:Sensor	3 - 17
D449 5921	Stepper Motor - DC 7.2W	5 - 15
D449 6111	Bracket:Lock:Toner Hopper	3 - 3

Part No.	Description	Page and Index No.
A606 1885	Decal - Hopper	3 - 12
A812 7245	Film - Front	3 - 6
A812 7246	Film - Rear	3 - 8
A812 7331	Lock Spring	3 - 5
B234 2750	Contact Image Sensor	3 - 21
B234 5280	PCB CRD	3 - 16
B302 1542	Timing Pulley - 20Z	5 - 6
B545 7212	Toner Hopper Punch Guard	3 - 10
B706 1545	Tightener Bracket	5 - 8
B890 4160	Timing Belt:B100S3M207	5 - 16



Part No.	Description	Page and Index No.
AA06 2334	Tension Spring:4.9N	5 - 9
AA14 3702	Screw:Pin:Positioning	3 - 25
AA14 3702	Screw:Pin:Positioning	5 - 14
AA14 3790	Screw:Contact Point	3 - 4
AA14 3790	Screw:Contact Point	5 - 7
AW01 0127	Paper Feed Sensor	3 - 1
AW02 0114	Photo Interruptor - Lower Limit	5 - 11
AW02 0141	Photointerruptor	5 - 24
AX06 0379	DC Motor:24V:25.1W	5 - 23
GW01 0007	Photo Reflection Sensor:Exit	3 - 19

Part No.	Description	Page and Index No.
0313 0050N	Philips Pan Head Screw - M3x5	5 - 104
0313 0120N	Pan Head Screw:M3x12	3 - 101
0451 3008N	Tapping Screw - M3x8	3 - 104
0451 3010N	Tapping Screw:3x10	5 - 102
0451 4006N	Tapping Screw - 4x6	3 - 105
0451 4008N	Tapping Screw:4x8	5 - 103
0453 3006N	Tapping Screw - M3x6	3 - 103
0454 3006Q	Tapping Screw - M3x6	5 - 101
0454 3006Q	Tapping Screw - M3x6	3 - 102
0720 0040E	Retaining Ring - M4	5 - 105
1105 0516	Clamp	5 - 108
1105 0522	Edge Saddle - LES0510	3 - 106
1105 0522	Edge Saddle - LES0510	5 - 106
1105 0623	Clamp - LBWS-0206S-V0	3 - 107
1105 0623	Clamp - LBWS-0206S-V0	5 - 107