

**TOSHIBA**

# **SERVICE PARTS LIST**

**Paper Feed Unit**

**MY-1047**

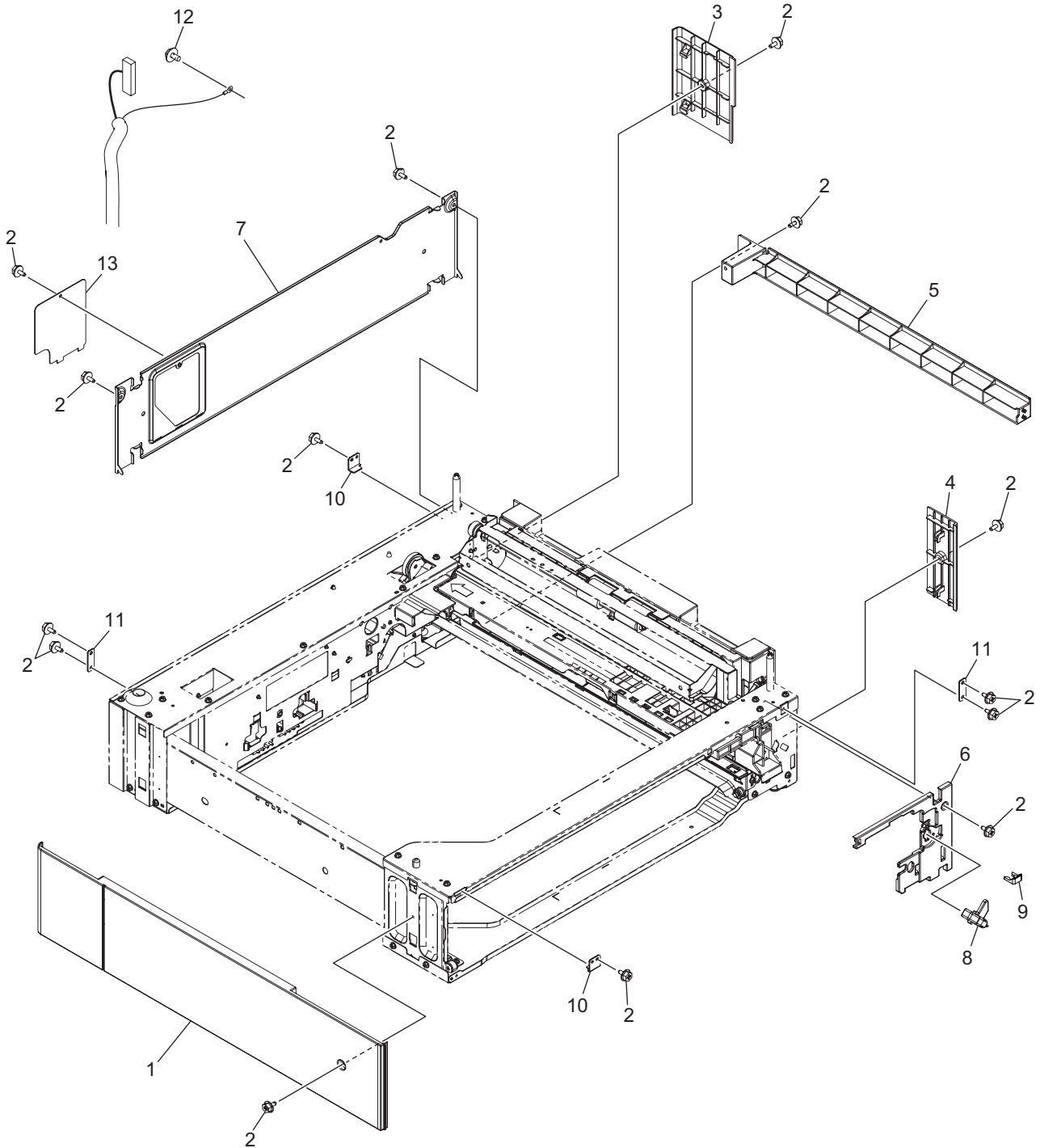
© 2016 TOSHIBA TEC CORPORATION All rights reserved

Under the copyright laws, this manual cannot be reproduced in any form without prior written permission of TOSHIBA TEC CORPORATION. No patent liability is assumed, however, with respect to the use of the information contained herein.

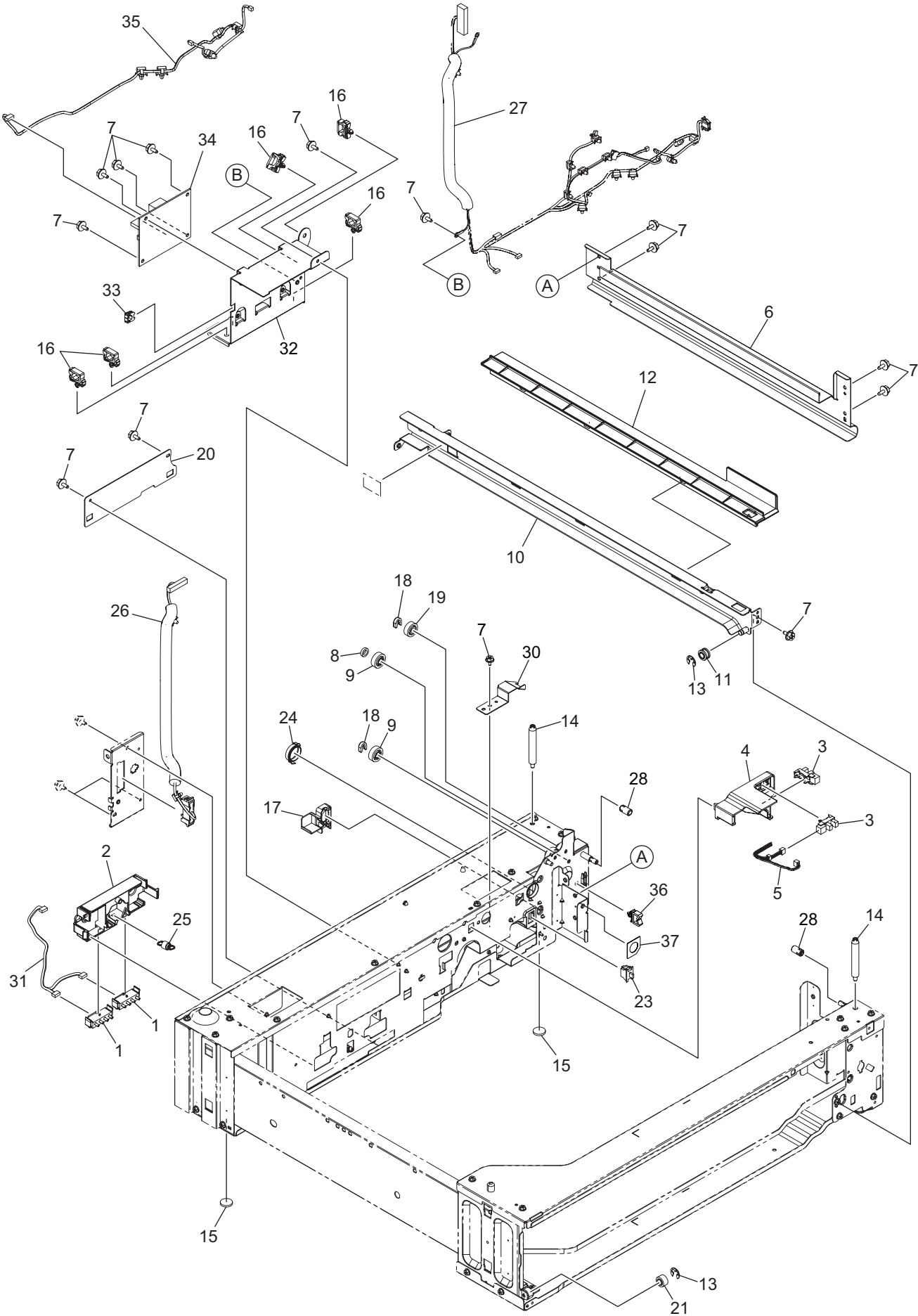
# CONTENTS

ASM-COVER .....	1
ASM-FRAME.....	2
ASM-DRIVE .....	3
ASM-COVER-GUIDE.....	4
FEED-ASY .....	5
DRAWER-ASM .....	6
ROL-KIT .....	10



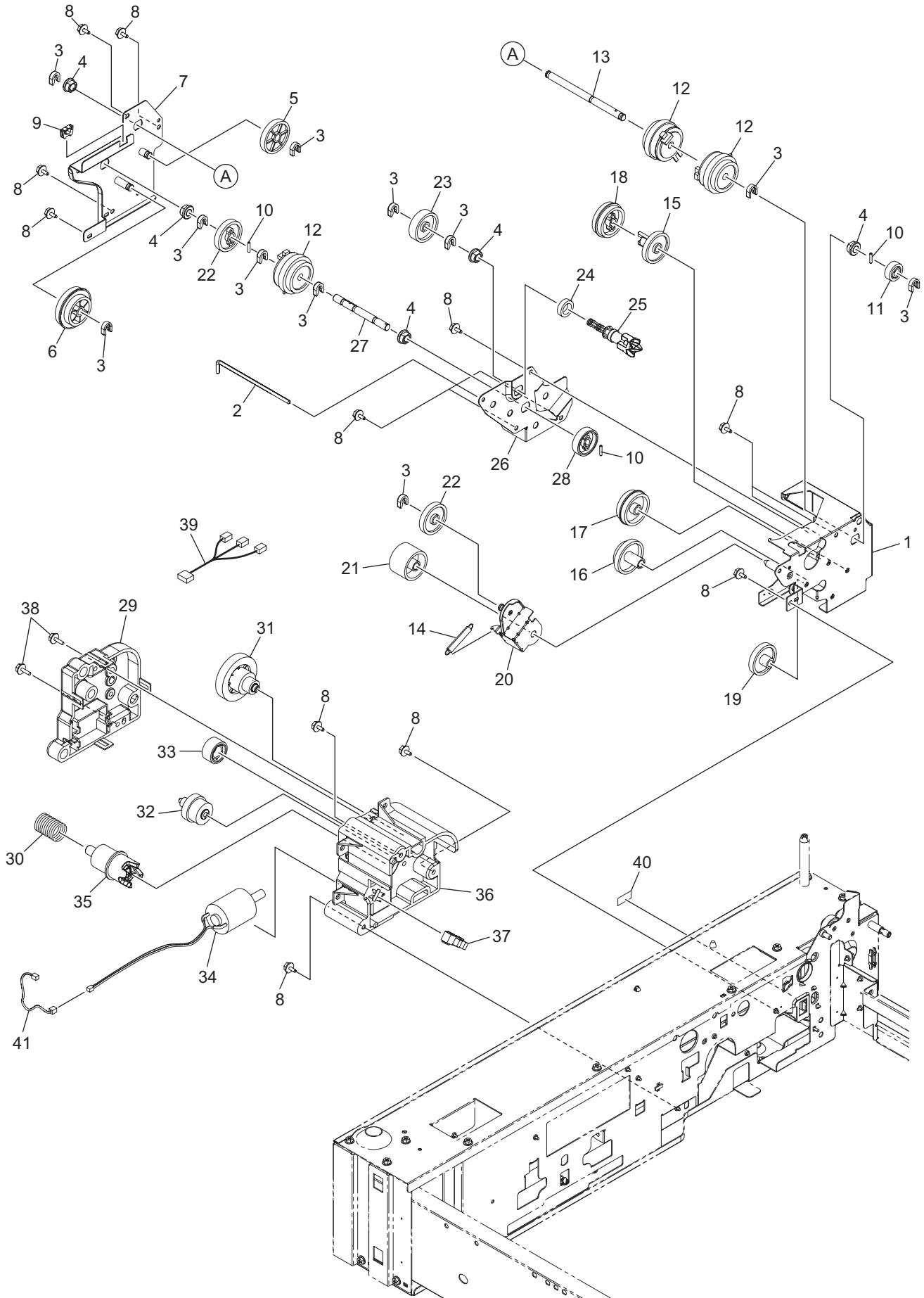




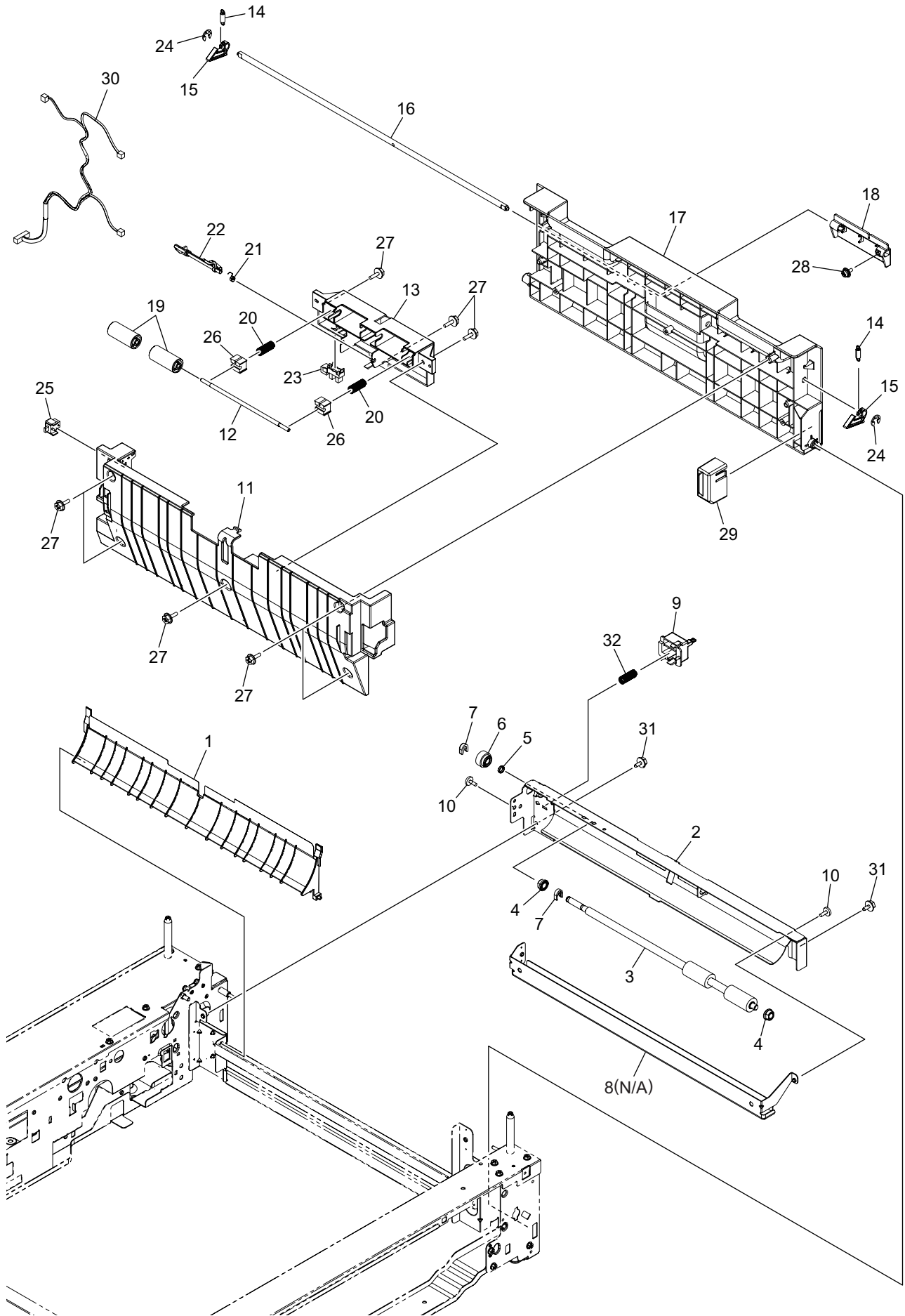




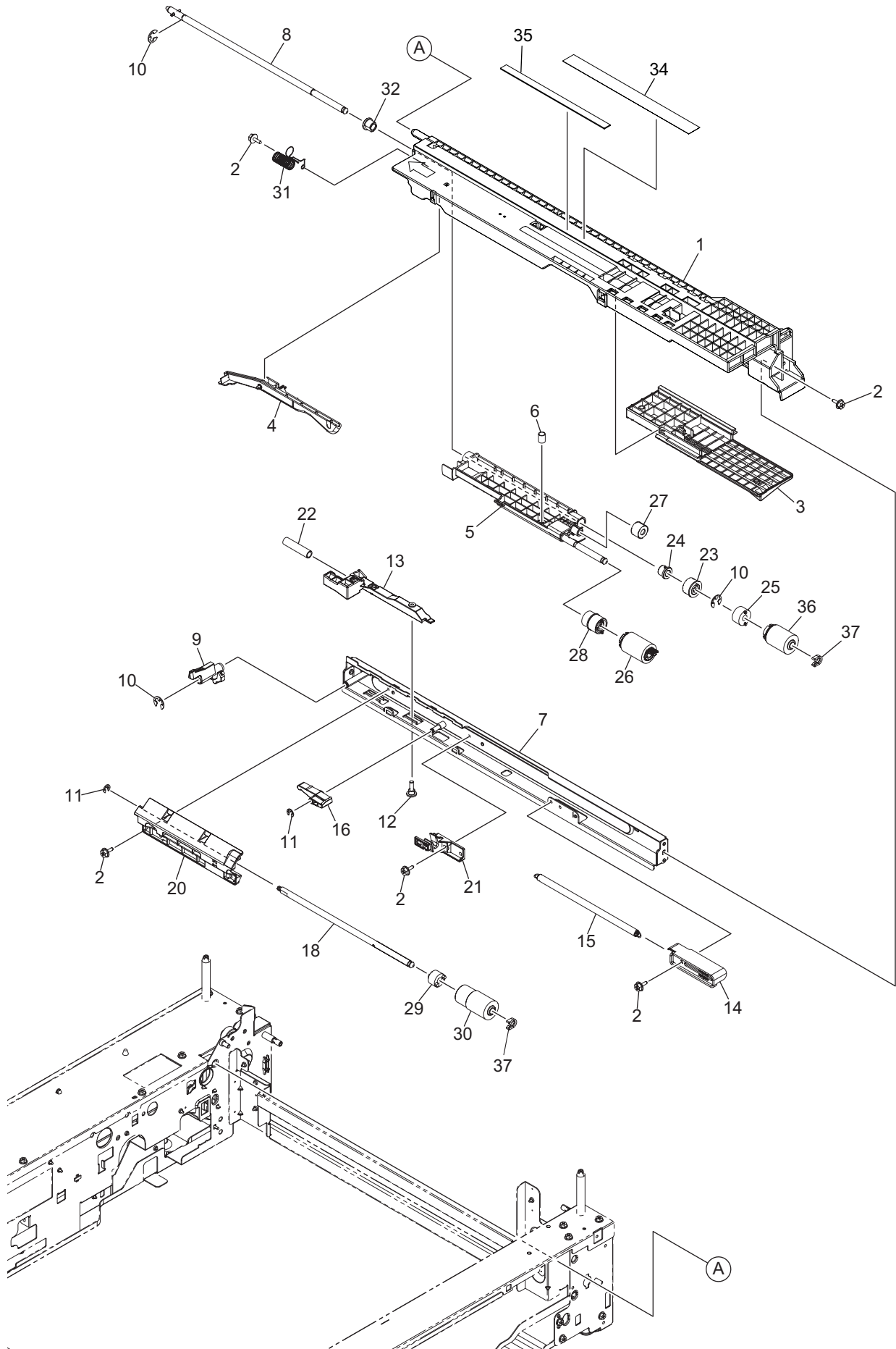




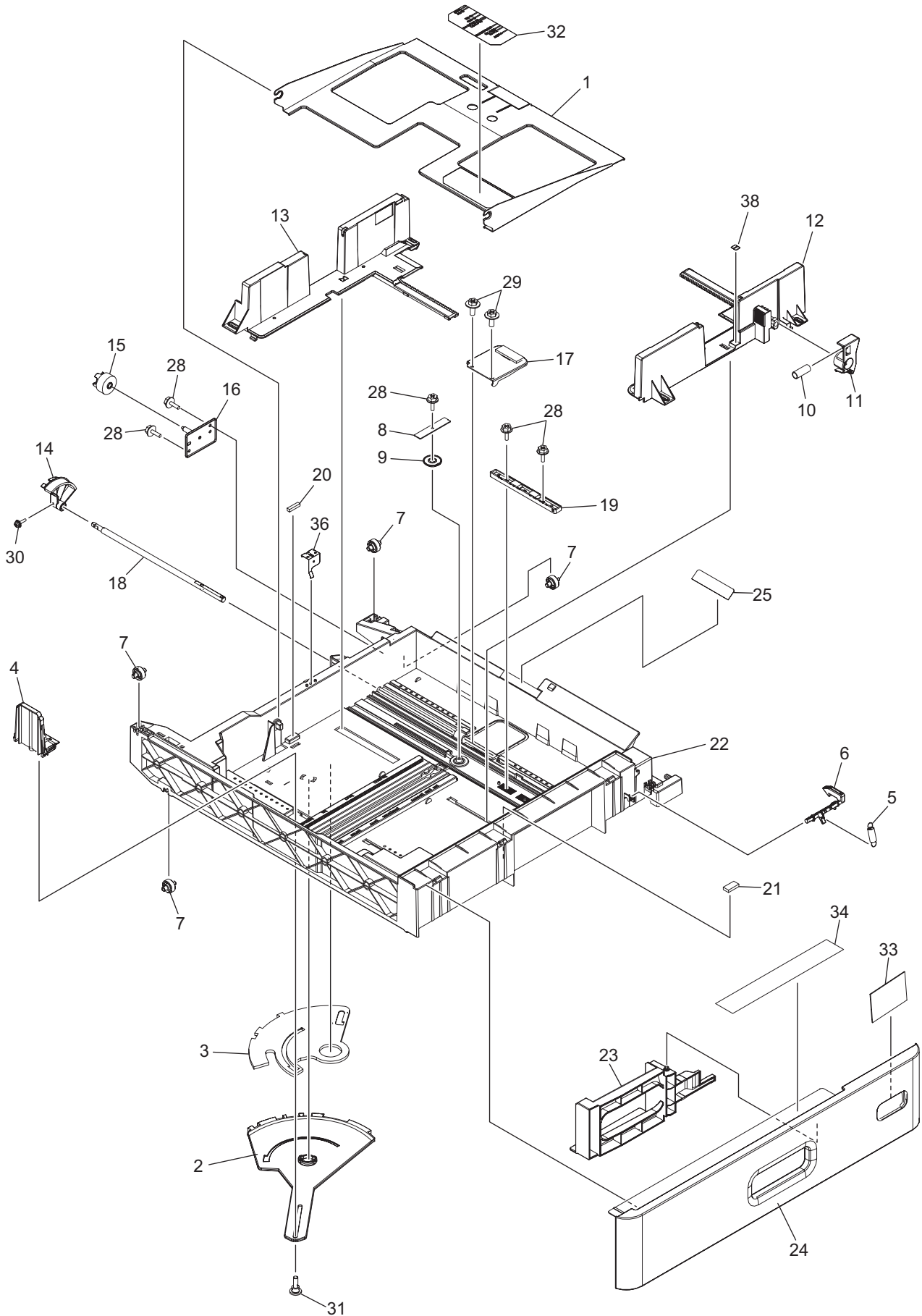
ITEM No.	PART No.	PART NAME	Q'TY / PAGE	Q'TY / PACK	REMARKS
1	6LJ69320000	ASYS-BRKT-DRV-PFU	1	1/P	
2	6LE60053000	SHAFT_STOPER_PFU	1	1/P	
3	4407972860	STOP-RING-6-5	11	5/P	
4	44201492000	BUSH-6-POM	5	5/P	
5	6LJ69340000	GEAR-10S30-6	1	1/P	
6	6LJ69328000	GEAR-10S27-10S35-6	1	1/P	
7	6LJ69368000	ASYS-BRKT-DRV-REAR-PFU	1	1/P	
8	X0-02419000	S/TPS/FHEXM/R-3X6-ZU3	13	10/P	
9	F0-00339000	EHP-6U	1	5/P	
10	X0-00980000	P/PRL/AH7-2X10-SS	3	10/P	
11	6LJ69307000	GEAR-10S16-6	1	1/P	
12	6LH51224000	CLUTCH-50C-G28-6	3	1/D	
13	6LJ69303000	SHAFT-DRV-1-PFU	1	1/P	
14	6LJ69391000	SPE-DRV-JOINT-PFU	1	1/P	
15	6LJ69336000	GEAR-08S35-6	1	1/P	
16	6LJ69334000	GEAR-08S28-08S38-6	1	1/P	
17	6LJ69341000	GEAR-10S27-08S37-6	1	1/P	
18	6LJ69337000	GEAR-10S29-08S35-6	1	1/P	
19	6LJ69377000	GEAR-10S28-6	1	1/P	
20	6LJ69324000	ASYS-BRKT-DRV-JOINT-PFU	1	1/P	
21	6LJ69327000	GEAR-10S27-6	1	1/P	
22	6LE59993000	GEAR-10S028	2	1/P	
23	6LJ69338000	GEAR-10S27-6-D	1	1/P	
24	6LJ66717000	CLR-CPL-PFP	1	1/P	
25	6LJ66722000	CPL-DRV-L-PFP	1	1/P	
26	6LJ69372000	BRKT-DRV-MID-PFU	1	1/P	
27	6LJ69329000	SHAFT-DRV-2-PFU	1	1/P	
28	6LJ69331000	GEAR-08S30-6	1	1/P	
29	6LJ69366100	CASE-TRAYUP-GEAR-R-PFU_S	1	1/P	
30	4401966050	SPC172-100-3400	1	1/P	
31	44201853000	G06S-13-G05S-80	1	1/C	
32	44201854000	G05H-45/G05S-15	1	1/P	
33	6LH05707000	GEAR-8S25-10	1	1/P	
34	6LA56976000	MOTR.D-TRAY-CST	1	1/D	
35	6LJ56846000	GEAR-8S26-H21X	1	1/P	
36	6LJ69365100	CASE-TRAYUP-GEAR-F-PFU_S	1	1/P	
37	C0-17839000	LG2A14BL1	1	1/C	
38	X0-02247000	S/TPP/FHEXM-3X8-NI	2	10/P	
39	6LK45760000	HRNS-PFC-CLTSN-H622	1	1/P	
40	6LJ66820000	MYLAR-GUIDE-HRNS-SNSR	1	1/P	
41	6LK45476000	HRNS-PFC-TRYMOT-H622	1	1/P	





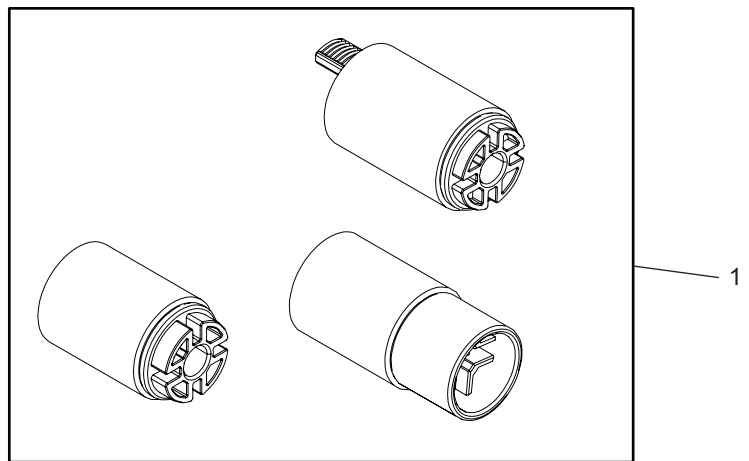


ITEM No.	PART No.	PART NAME	Q'TY / PAGE	Q'TY / PACK	REMARKS
1	6LK50705000	FRAME-FEED-H373	1	1/PP	
2	X0-02420000	S/TPS/FHEXM/R-3X8-ZU3	5	10/P	
3	6LJ56263100	GUIDE-FEED-UP-F-21X_HS	1	1/PP	
4	6LJ56248100	ACTR-EMPTY-CST-2X_HS	1	1/P	
5	6LJ56275000	ARM-PICK-H21X_H	1	1/PP	
6	6LJ56359000	SPG-C-PU-H21Y	1	1/P	
7	6LK50706000	ASYS-STAY-FEED-H373	1	1/P	
8	6LJ56276000	ASYS-SFT-ROL-FEED-H21X_H	1	1/P	
9	6LJ56250000	LEVER-PU-LINK-H21X_H	1	1/P	
10	X0-00966000	RR/E-5-SS	3	10/P	
11	X0-00964000	RR/E-3-SS	2	10/P	
12	6LH05511000	SCREW-M3X8-3.2-P	1	5/P	
13	6LK50754000	SLIDER-SPT-H21X_H	1	1/P	
14	6LJ56247100	HOLDER-SPE-SPT-21X_HS	1	1/P	
15	6LK51232000	SPG-E-SPT-H373	1	1/P	
16	6LJ56249000	ARM-SFT-SPT-H21X_H	1	1/P	
18	6LJ56279000	ASYS-SHAFT-ROL-SPT-H21X_H	1	1/P	
20	6LJ56264100	GUIDE-FEED-R-21X_HS	1	1/P	
21	6LJ56258000	GUIDE-SFT-SPT-H21X_H	1	1/P	
22	6LK50747000	SPG-C-SLIDER-H370	1	1/P	
23	6LJ56239000	ASYS-GEAR-5S30-6L	1	1/P	
24	6LJ56246000	BUSH-6X10X9F-POM	1	1/P	
25	4406584800	CLUTCH-6-08L2	1	1/P	
26	6LJ56242000	ASYS-ROLL-FEED-H21X_H	1	1/P	
27	6LJ56244000	GEAR-5S25-8	1	1/P	
28	6LJ56245000	GEAR-5S30-6	1	1/P	
29	6LJ56289000	TL-SEP-ORG-400	1	1/P	
30	6LK50742000	ASYS-ROLL-SPT-H373	1	1/P	
31	6LJ56267000	SPG-EARTH-FEED-UNIT	1	1/P	
32	6LA03977000	BUSH-F6-GCB	1	5/P	
34	6LJ56295000	MYLAR-SPACE-FEED	1	1/P	
35	6LJ56296000	RUBBER-SPACE-FEED	1	1/P	
36	6LK50739000	ASYS-ROLL-FEED-H373	1	1/P	
37	4407972860	STOP-RING-6-5	2	5/P	



ITEM No.	PART No.	PART NAME	Q'TY / PAGE	Q'TY / PACK	REMARKS
1	6LK51242000	ASYS-TRAY-CST-H-H21X	1	1/P	
2	6LK51261000	PUSHER-END-CST-H21X	1	1/P	
3	6LH05721000	PUSHER-SIDE-CST-F43X	1	1/P	
4	6LJ56827100	WALL-END-CST-H-H21X_S	1	1/P	
5	6LJ56839000	SPG-E-8R9XR9X29R5	1	1/P	
6	6LJ56924000	LVR-CST1-H-H21X_E_SHAFT	1	1/P	
7	6LJ56845000	ROLL-CST-H21X	4	1/P	
8	6LJ46917000	PLT-WALL-GEAR-G	1	1/P	
9	6LE53717000	GEAR-10S18-8-TRAY	1	1/P	
10	6LA56695000	SPC-LVR-WALL-F	1	1/P	
11	6LJ56802100	LEVER-LOCK-WALL-H21X_S	1	1/P	
12	6LJ56957000	SLIDE-WALL-F-H21X-H	1	1/KP	
13	6LJ56872000	ASYS-SLIDE-WALL-R-H21X-H	1	1/PP	
14	6LJ56832100	GEAR-DRV-TRAYUP-SFT-H37X	1	1/P	
15	6LJ56847100	CPG-TRAY-UP-H37X	1	1/P	
16	6LJ56851000	ASYS-PLATE-DRV-CST-H21X	1	1/P	
17	6LH05746000	ASYS-LEVER-ELV-CST-F43X	1	1/P	
18	6LJ56910000	SHAFT-ELV-CST-H21X	1	1/P	
19	6LJ56815000	WALL-STOP-H21X	1	1/P	
20	6LH51643000	CHSH-CST-F47X	1	1/P	
21	6LH05741000	CUSH-CST-S	1	1/P	
22	6LJ56937000	CST-H21X-U-A3	1	1/PP	
23	6LJ56838200	HNDL-CST-H370	1	1/PP	
24	6LK51207000	COVER-CST-PFU-H370	1	1/P	
25	6LJ66823000	SHEET-CST-H21X	1	1/P	
28	X0-02247000	S/TPP/FHEXM-3X8-NI	5	10/P	
29	X0-02235000	S/FHEXM-M4X8-NI	2	10/P	
30	X0-00094000	S/PAN/SWWP-M3X10-NI	1	10/P	
31	6LH05511000	SCREW-M3X8-3.2-P	1	5/P	
32	6LK51246000	LBL_P-SIZE-LDA3-H373	1	1/KP	
33 A	6LK51245000	SIZE-CST-37X-A4	1	1/KP	A4 size
33 B	6LK51245100	SIZE-CST-37X-LT	1	1/KP	LT size
34	6LK51249000	LBL_O-GUIDE-CST-H373	1	1/KP	
36	6LJ56943000	SPG-F-TRAY-CST-H21Y	1	1/C	
38	6LJ56953000	LBL_P-SIZE-REF-H21X	1	1/P	









**TOSHIBA**

**TOSHIBA TEC CORPORATION**

1-11-1, OSAKI, SHINAGAWA-KU, TOKYO, 141-8562, JAPAN