

TOSHIBA

SERVICE PARTS LIST

Multi Bypass Tray

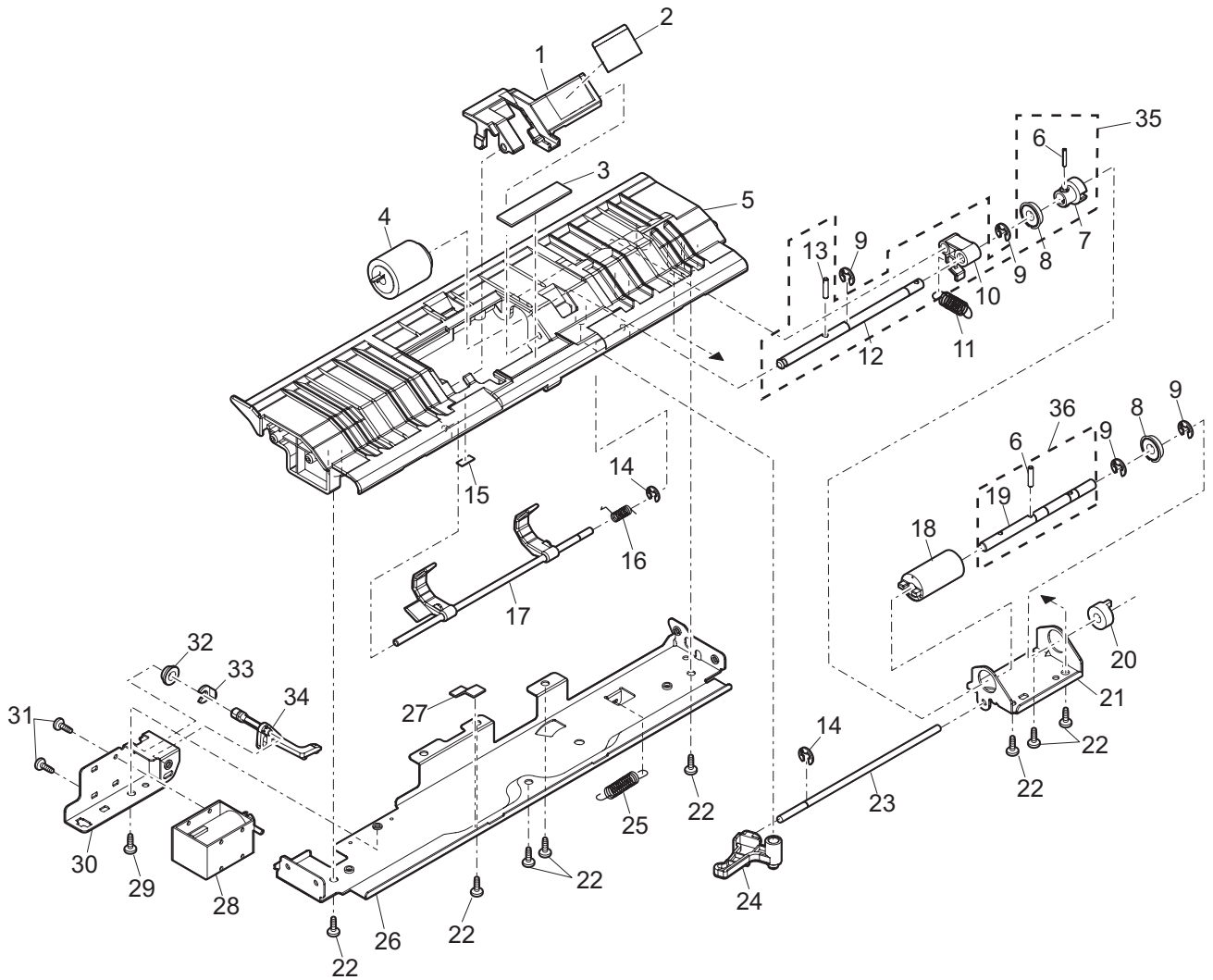
MX-MFX1

© 2014 TOSHIBA TEC CORPORATION All rights reserved

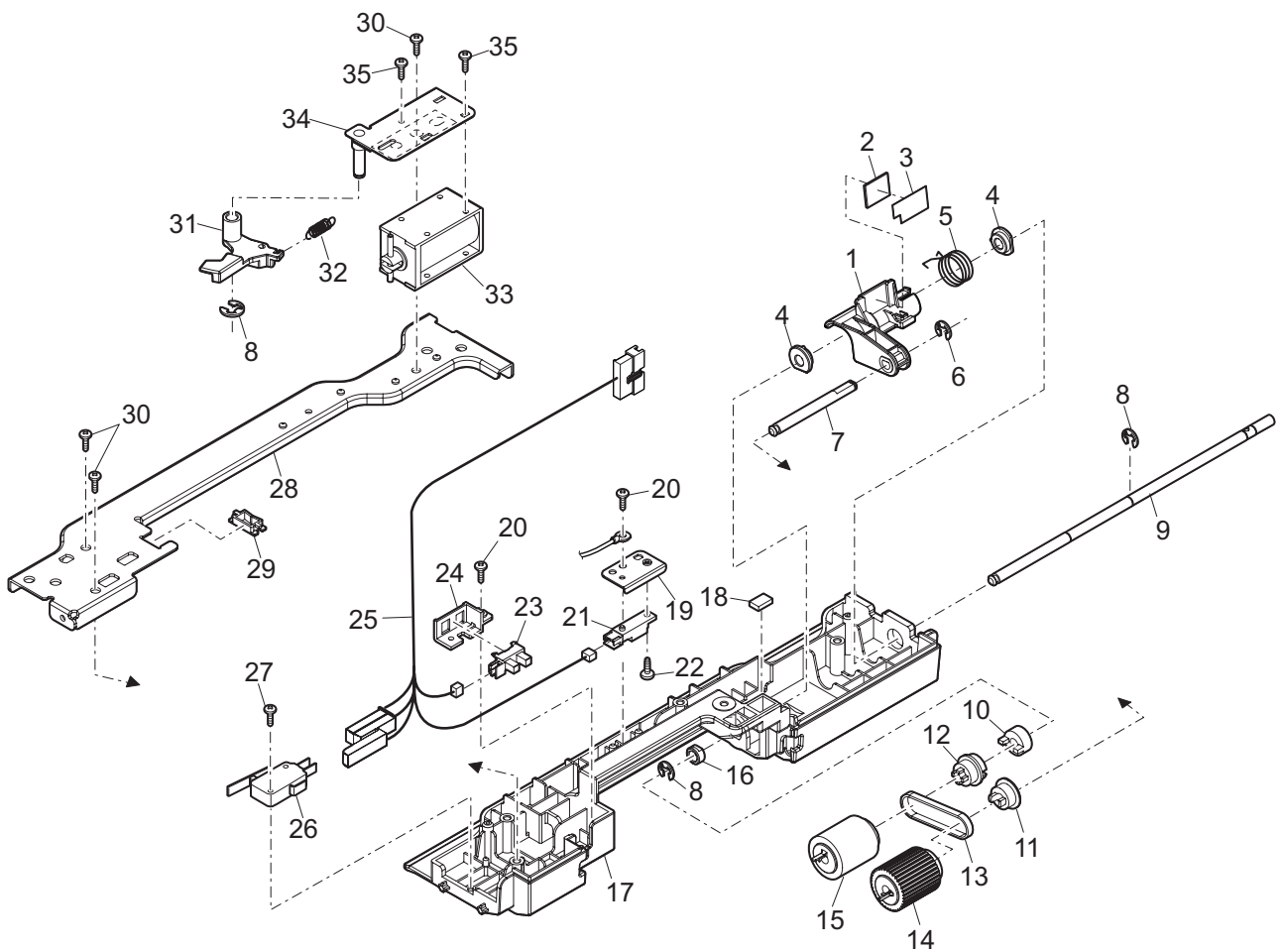
Under the copyright laws, this manual cannot be reproduced in any form without prior written permission of TOSHIBA TEC CORPORATION. No patent liability is assumed, however, with respect to the use of the information contained herein.

CONTENTS

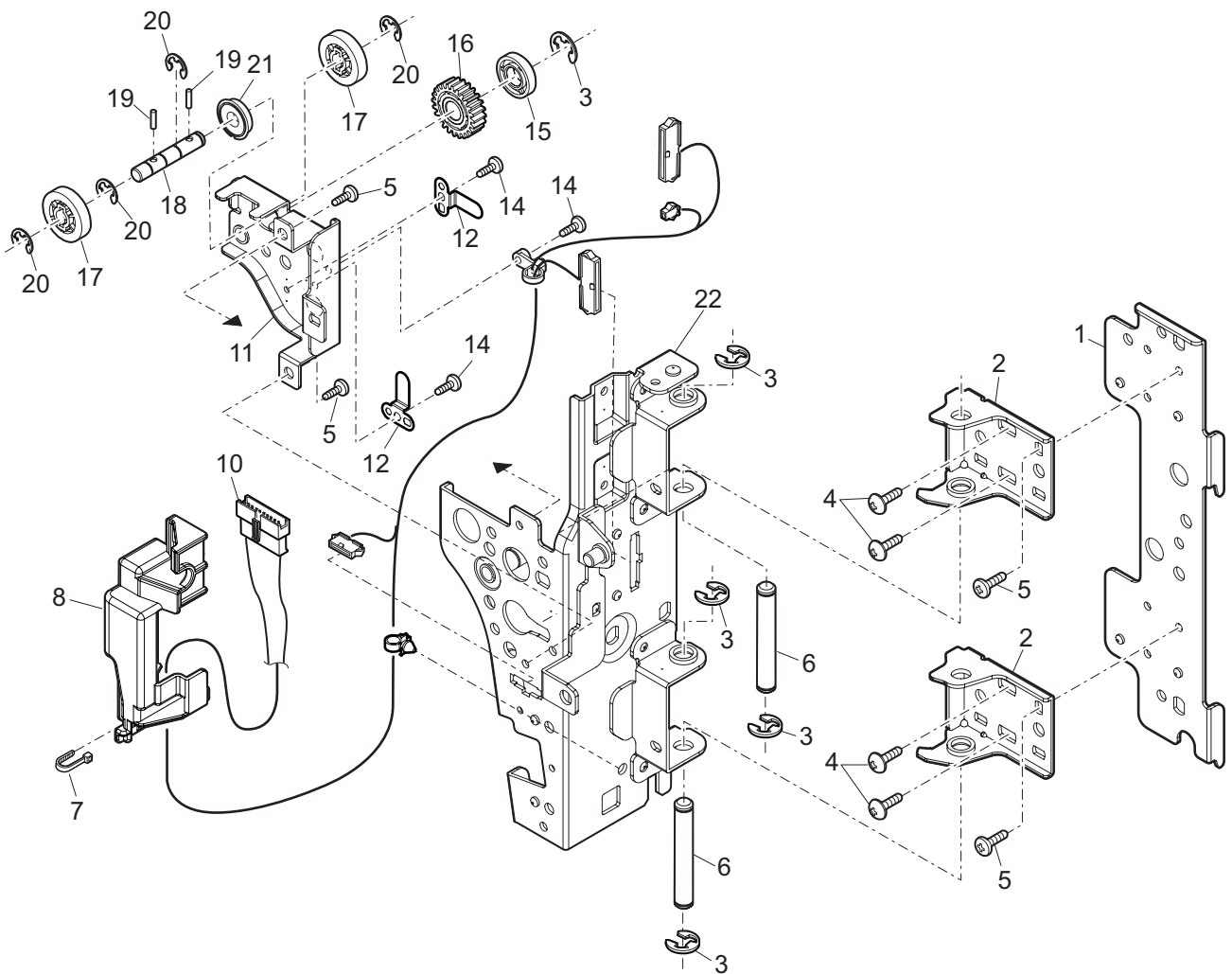
MULTI_PAPER_FEED_UNIT_1.....	1
MULTI_PAPER_FEED_UNIT_2.....	2
MULTI_PAPER_FEED_UNIT_3.....	3
MULTI_PAPER_FEED_UNIT_4.....	4
MULTI_TRAY_UNIT	5
PACKING_MATERIAL&ACCESSORIES	6



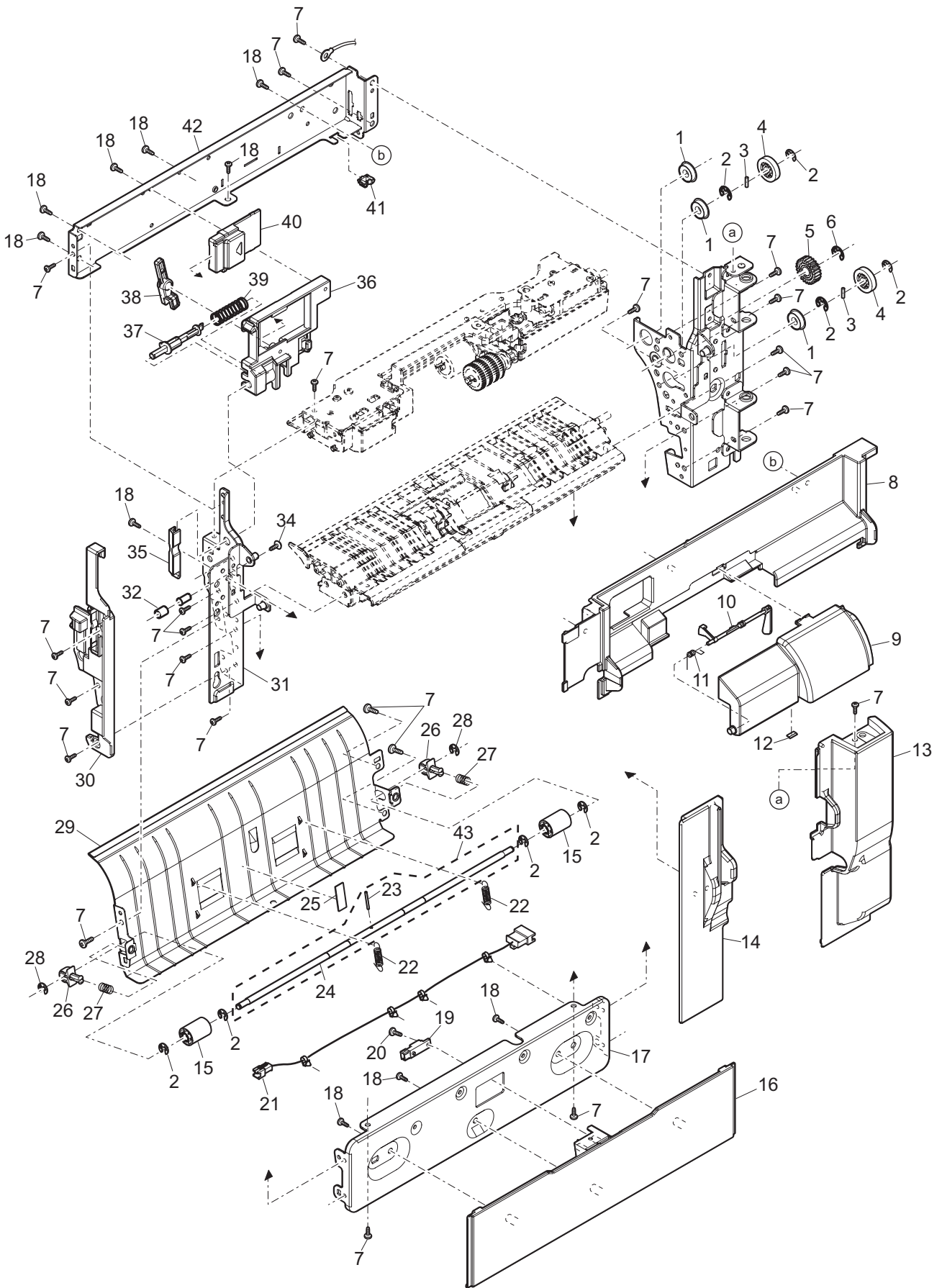
ITEM No.	PART No.	PART NAME	Q'TY / PAGE	Q'TY / PACK	REMARKS
1	6LS05454000	MF roller cover			
2	6LS05928000	RSPF front manipulate sheet			
3	6LS05944000	Pick up pad			
4	6LS05049000	PF separate roller			
5	6LS05618000	MF lower PG			
6	6LS03739000	SP pin			
7	6LS04856000	Separate coupling			
8	6LS01805000	Boll bearing			
9	6LA58926000	E-ring			
10	6LS03698000	Separator fulcrum holder			
11	6LS04579000	Separator pressure spring			
12	6LS05251000	MF separate rolelr shaft			
13	6LS03740000	SP pin			
14	6LS06241000	E ring			
15	6LS05709000	PG lower cushion			
16	6LS04634000	MF stopper spring			
17	6LS04189000	Stopper			
18	6LS05346000	Paper feed torque limiter			
19	6LS05252000	Separate drive shaft			
20	6LS04859000	One way coupling			
21	6LS03977000	Bearing fixing plate			
22	6LA58793700	SCREW M4X10			
23	6LS05253000	Pressure release shaft			
24	6LS04493000	Pressure release lever			
25	6LS04659000	Pressure release spring			
26	6LS03975000	MF lower paper guide reinforce plate			
27	6LS05711000	Stopper soundproof cushion			
28	6LS06101000	Paper lock solenoid			
29	6LS06226000	Screw			
30	6LS03976000	Lock SOL fixing plate			
31	6LA58792100	Screw			
32	6LS04798000	Bearing			
33	6LS10187000	STOPPER			
34	6LS04431000	SOL arm			
35	6LS01837000	MF separate rolelr shaft unit			
36	6LS01838000	Separate drive shaft unit			



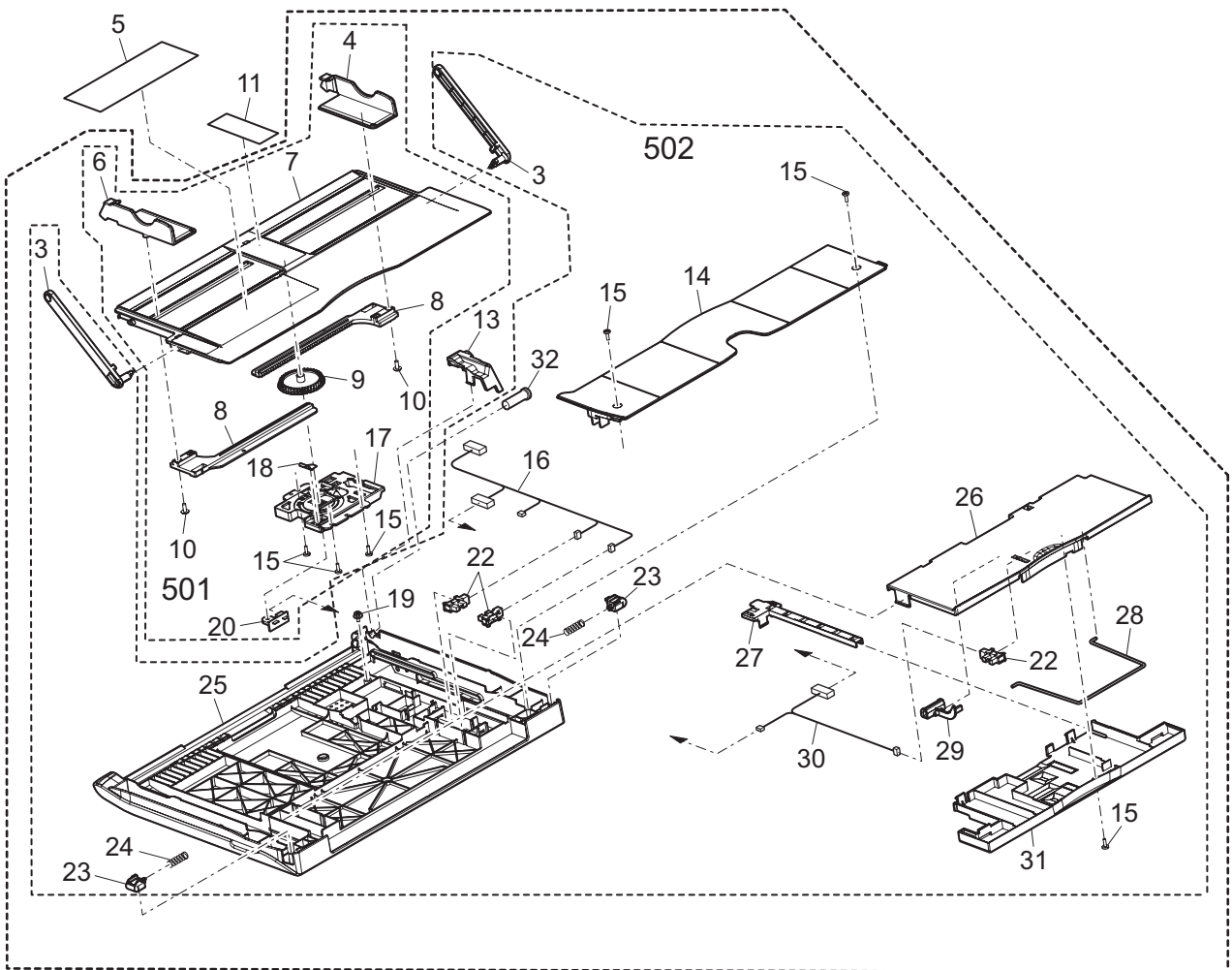
ITEM No.	PART No.	PART NAME	Q'TY / PAGE	Q'TY / PACK	REMARKS
1	6LS04430000	MF pick up arm			
2	6LS05937000	Pick up sound proof sheet			
3	6LS05938000	Pick up sheet			
4	6LS04780000	Bearing			
5	6LS04633000	MF pick up arm spring			
6	6LS06242000	E ring			
7	6LS05113000	MF pick up roller shaft			
8	6LA58926000	E-ring			
9	6LS05250000	MF PF roller shaft			
10	6LS04859000	One way coupling			
11	6LS05003000	Pick up roller pulley			
12	6LS05005000	MF drive pulley			
13	6LS04734000	MF pick up belt			
14	6LS05051000	Pick up roller			
15	6LS05049000	PF separate roller			
16	6LS04795000	Bearing			
17	6LS05617000	MF upper base guide			
18	6LS05708000	Pick up sound proof sheet			
19	6LS03974000	Sensor fixing plate			
20	6LA58793200	Screw M3X8			
21	6LS06164000	Sensor			
22	6LA58794500	Screw M3X8			
23	6LS06160000	Sensor			
24	6LS04102000	Multi sensor fixing plate			
25	6LS03171000	Multi upper UN harness			
26	6LS06044000	Door Switch			
27	6LS06207000	Screw			
28	6LS03973000	MF upper guide reinforce plate			
29	6LS03614000	Edge wire saddle			
30	6LA58793700	SCREW M4X10			
31	6LS04411000	MF pick up solenoid arm			
32	6LS04707000	Pick up SOL spring			
33	6LS06100000	MF pick up solenoid			
34	6LS03062000	Pick up SOL fixing plate			
35	6LA58792100	Screw			



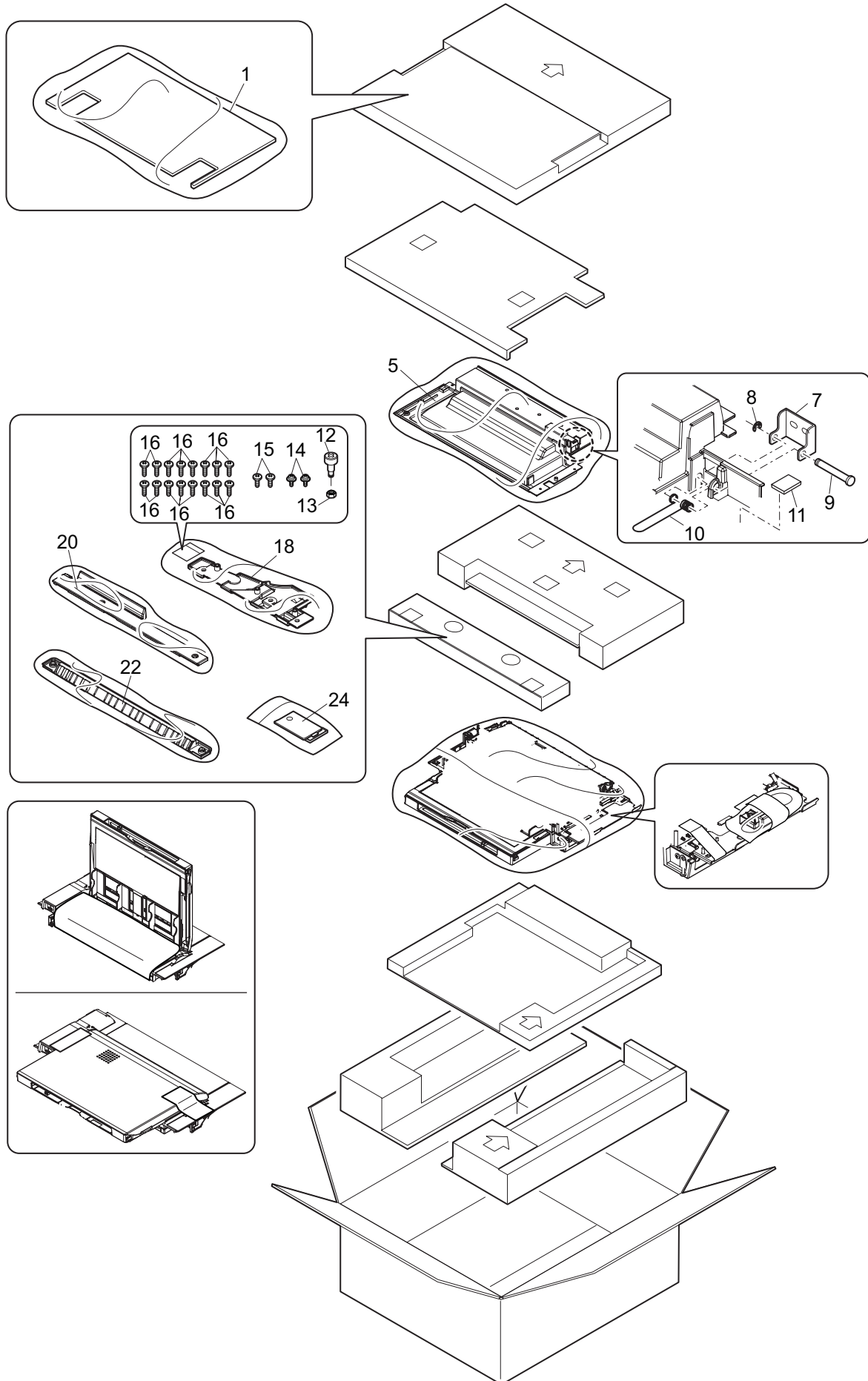
ITEM No.	PART No.	PART NAME	Q'TY / PAGE	Q'TY / PACK	REMARKS
1	6LS04239000	MF UN support stay			
2	6LS03978000	Hinge base			
3	6LA58928000	E-ring			
4	6LS06234000	Screw			
5	6LA58794800	SCREW M4X16			
6	6LS03748000	Fulcrum pin			
7	6LS03473000	Band			
8	6LS05455000	Connector cover			
10	6LS03170000	Multi main harness			
11	6LS02952000	MF drive frame			
12	6LS06029000	IF pass earth			
14	6LA58794500	Screw M3X8			
15	6LS05364000	MF collar			
16	6LS04970000	MF gear 22T			
17	6LS04898000	MF joint gear 20T			
18	6LS05249000	MF drive shaft			
19	6LS03731000	Pin			
20	6LA58926000	E-ring			
21	6LS01805000	Boll bearing			
22	6LS02950000	MF frame R			



ITEM No.	PART No.	PART NAME	Q'TY / PAGE	Q'TY / PACK	REMARKS
1	6LS01805000	Boll bearing			
2	6LA58926000	E-ring			
3	6LS03731000	Pin			
4	6LS04898000	MF joint gear 20T			
5	6LS04970000	MF gear 22T			
6	6LA58928000	E-ring			
7	6LA58794800	SCREW M4X16			
8	6LS03375000	MF cabinet upper			
9	6LS05377000	MF pick up cover			
10	6LS04467000	MF paper existence sensor actuator			
11	6LS04608000	MF paper existence sensor actuator spring			
12	6LS05709000	PG lower cushion			
13	6LS03379000	Tray rear cabinet			
14	6LS03378000	MF cabinet front			
15	6LS05036000	Transport follower roller			
16	6LS03374000	MF cabinet lower			
17	6LS04240000	MF UN lower stay			
18	6LA58793700	SCREW M4X10			
19	6LS06164000	Sensor			
20	6LA58793200	Screw M3X8			
21	6LS03172000	Multi gate sol harness			
22	6LS04708000	LCC trans spring			
23	6LS03749000	Spring pin			
24	6LS05254000	LCC trans follwer shaft			
25	6LS05946000	LCC sound proof sheet			
26	6LS03671000	Follower roller shaft holder			
27	6LS04580000	Holder spring			
28	6LS06242000	E ring			
29	6LS05545000	LCC trans guide			
30	6LS05453000	F frame cover			
31	6LS02951000	MF frame F			
32	6LS03476000	Position bose			
34	6LA58792700	Screw M3X6			
35	6LS05984000	Lock pawl			
36	6LS05619000	Lock arm guide			
37	6LS04432000	Open & shut lock arm			
38	6LS04433000	Open & shut link arm			
39	6LS04581000	Lock release spring			
40	6LS04492000	MF release lever			
41	6LS01806000	Edge saddle			
42	6LS04241000	MF UN upper stay			
43	6LS01839000	LCC trans follwer shaft unit			



ITEM No.	PART No.	PART NAME	Q'TY / PAGE	Q'TY / PACK	REMARKS
3	6LS04410000	MF tray arm			
4	6LS05574000	MF width guide R			
5	6LS06110000	MF size label			
6	6LS05573000	MF width guide F			
7	6LS04166000	MF tray upper			
8	6LS04982000	MF width detect rack			
9	6LS04980000	MF width detect pinion gear			
10	6LS06216000	Screw			
11	6LS06124000	MF paper direction label			
13	6LS05378000	MF harness cover			
14	6LS05375000	MF tray upper inner cover			
15	6LA58793200	Screw M3X8			
16	6LS03173000	MF tray IF harness			
17	6LS04109000	MF width detect fixing plate			
18	6LS04654000	MF width detect plate spring			
19	6LS04352000	Pinion gear screw CGR			
20	6LS03086000	Volume PWB			
22	6LS06160000	Sensor			
23	6LS04514000	ADU open/close door lock			
24	6LS04590000	Open/close lock spring			
25	6LS04167000	MF tray lower			
26	6LS04168000	MF tray 2 upper			
27	6LS03648000	MF harness holder			
28	6LS05644000	MF support guide			
29	6LS04466000	MF paper detect actuator			
30	6LS03226000	MF tray harness 2			
31	6LS04169000	MF tray 2 lower			
32	6LS05114000	MF tray fixing shaft			
501	6LS01835000	Joint slide UN			
502	6LS01836000	MF slide UN			



ITEM No.	PART No.	PART NAME	Q'TY / PAGE	Q'TY / PACK	REMARKS
1	6LS03357000	Right cabinet lower			
5	6LS03377000	MF cabinet			
7	6LS03991000	Stopper fix plate			
8	6LA58926000	E-ring			
9	6LS05096000	T cassette lock shaft			
10	6LS04191000	Stopper			
11	6LS05945000	MF vibration proof sheet			
12	6LS04331000	Screw			
13	6LS05966000	M4Spacer			
14	6LS04375000	Screw			
15	6LA58793700	SCREW M4X10			
16	6LS06227000	Screw			
18	6LS05620000	Lock pawl guide			
20	6LS03376000	MF cabinet rear			
22	6LS03354000	LCC cabinet lower			
24	6LS05383000	LCC cover R			

TOSHIBA

TOSHIBA TEC CORPORATION

1-11-1, OSAKI, SHINAGAWA-KU, TOKYO, 141-8562, JAPAN