

**TOSHIBA**

# **SERVICE PARTS LIST**

Large Capacity Tray

**MX-LCX3N**

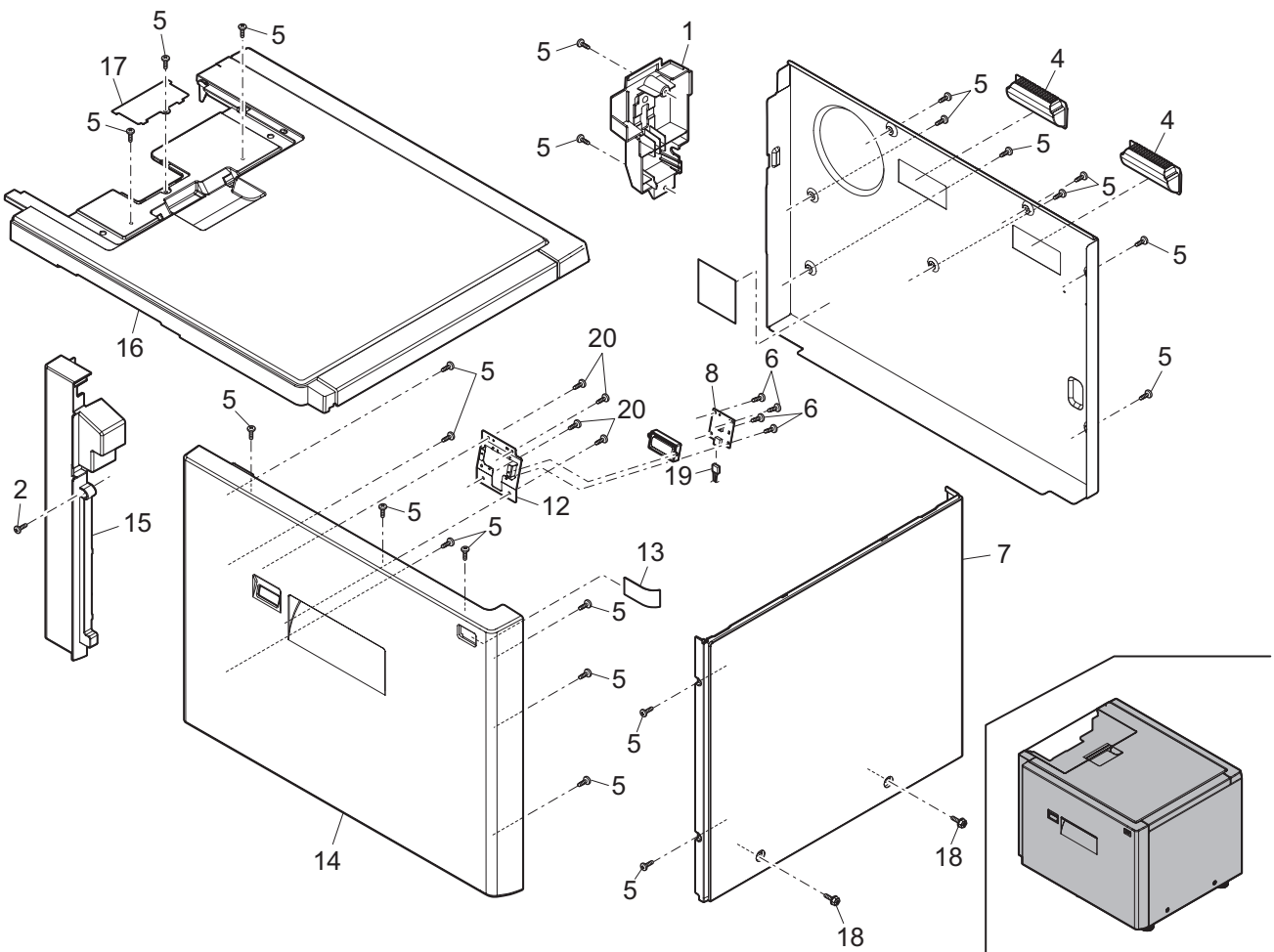
© 2014 TOSHIBA TEC CORPORATION All rights reserved

Under the copyright laws, this manual cannot be reproduced in any form without prior written permission of TOSHIBA TEC CORPORATION. No patent liability is assumed, however, with respect to the use of the information contained herein.

# CONTENTS

EXTERIOR.....	1
PAPER_FEEDING_SECTION_1 .....	2
PAPER_FEEDING_SECTION_2 .....	3
PAPER_FEEDING_SECTION_3 .....	4
DRIVE_SECTION .....	5
TRAY_SECTION_1 .....	6
TRAY_SECTION_2 .....	7
TRAY_SECTION_3.....	8
FRAME_SECTION_1.....	9
FRAME_SECTION_2.....	10
ACCESSORIES .....	11



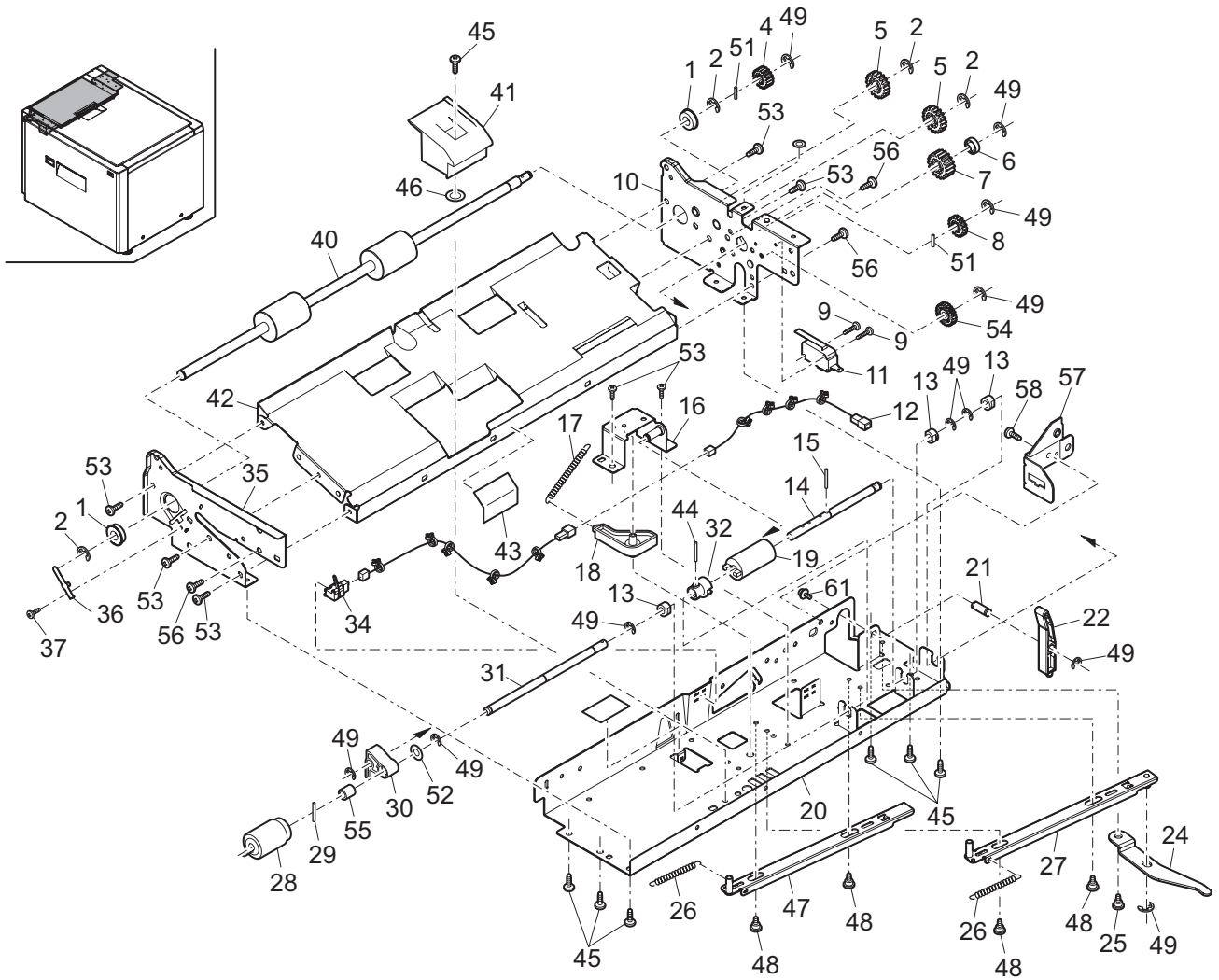


ITEM No.	PART No.	PART NAME	Q'TY / PAGE	Q'TY / PACK	REMARKS
1	6LS01812000	3000 tray cabinet left rear CG			
2	6LA58794800	SCREW M4X16			
4	6LS01821000	LCC handle			
5	6LS06227000	Screw			
6	6LS06202000	Screw			
7	6LS03349000	Cabinet right			
8	6LS03093000	Descend SW PWB unit			
12	6LS03796000	Lower switch fixing plate			
13	6LS06105000	Size display card			
14	6LS03352000	Front cabinet			
15	6LS03353000	Left cabinet front			
16	6LS03351000	Upper cabinet			
17	6LS05797000	Pick up cover sheet			
18	6LS01810000	Screw			
19	6LS03164000	Descend SW PWB IF harness			
20	6LA58793100	Screw M3X6			

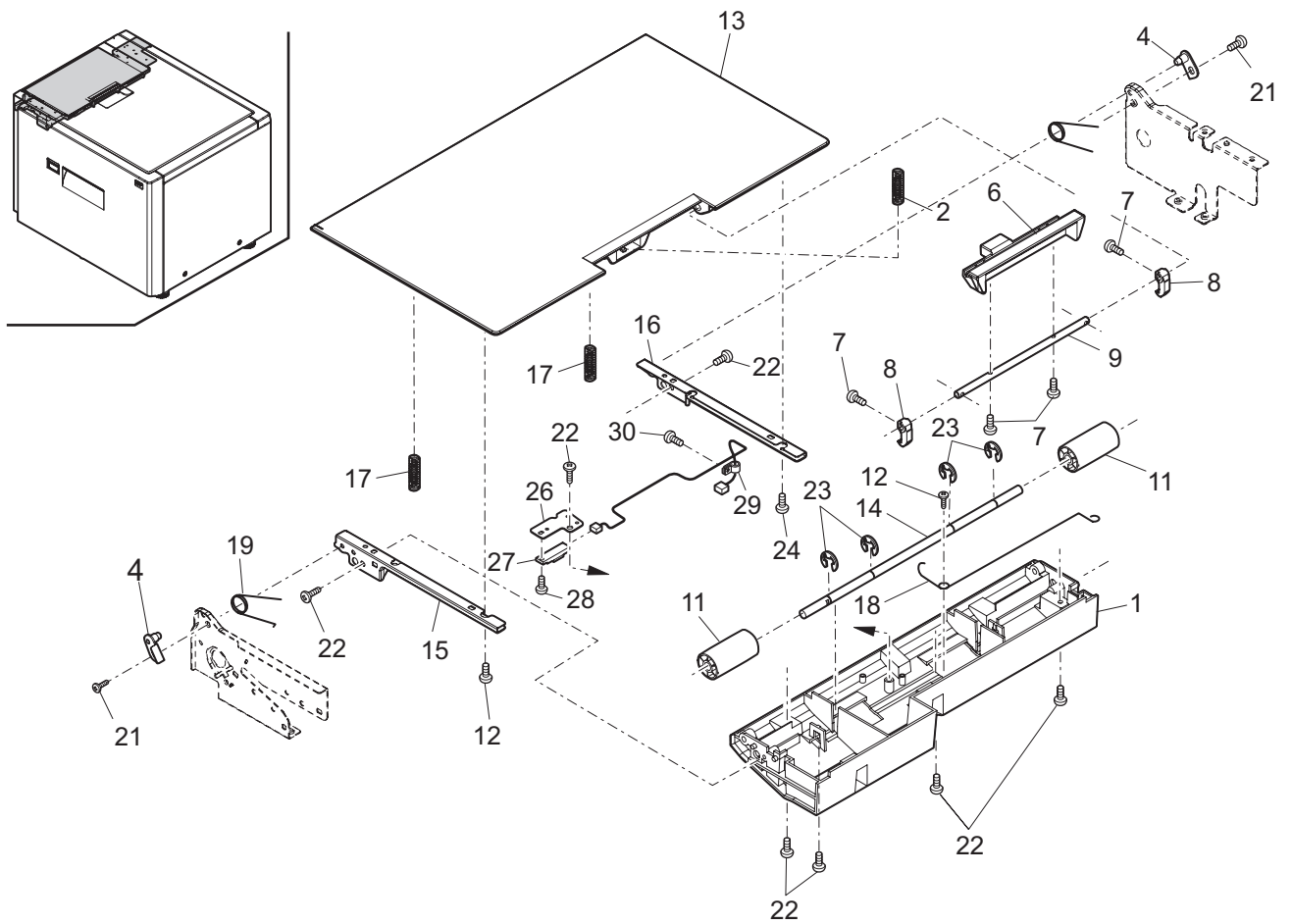


ITEM No.	PART No.	PART NAME	Q'TY / PAGE	Q'TY / PACK	REMARKS
1	6LS06094000	SF stopper solenoid			
3	6LS04901000	Gear 16T			
4	6LS04913000	PF gear 18T			
5	6LS05354000	Multi drive collar			
6	6LS03614000	Edge wire saddle			
9	6LS03165000	Paper feeding unit harness			
10	6LS04472000	Pick up sub SP lever			
11	6LS03776000	Upper limit sensor fixing plate			
12	6LS06158000	Photo sensor			
14	6LS03646000	Paper feed turn plate LC			
15	6LS04665000	Pick up sub spring			
16	6LS05105000	Pick up shaft LC			
17	6LS04998000	Pick up roller pulley			
19	6LS04999000	Paper feed roller pulley			
20	6LS04739000	Belt			
21	6LS05050000	Pick up roller			
22	6LS05066000	Paper feed separate roller			
23	6LS04850000	One way coupling			
26	6LS05578000	PF upper guide			
27	6LS06222000	Screw			
28	6LS06047000	Door switch			
30	6LS04677000	Solenoid arm spring			
31	6LS05135000	Paper feed shaft			
32	6LS04473000	Solenoid lever			
34	6LS03777000	PF fixing plate			
38	6LS04780000	Bearing			
41	6LA58793200	Screw M3X8			
45	6LS06242000	E ring			
46	6LA58926000	E-ring			
48	6LS06162000	Sensor			
49	6LS05802000	Sensor cover			
50	6LA58794800	SCREW M4X16			
51	6LA58793800	Screw M4X12			
52	6LS03737000	SP Pin			
53	6LA58792700	Screw M3X6			
54	6LS05675000	Solenoid lever cushion CD			

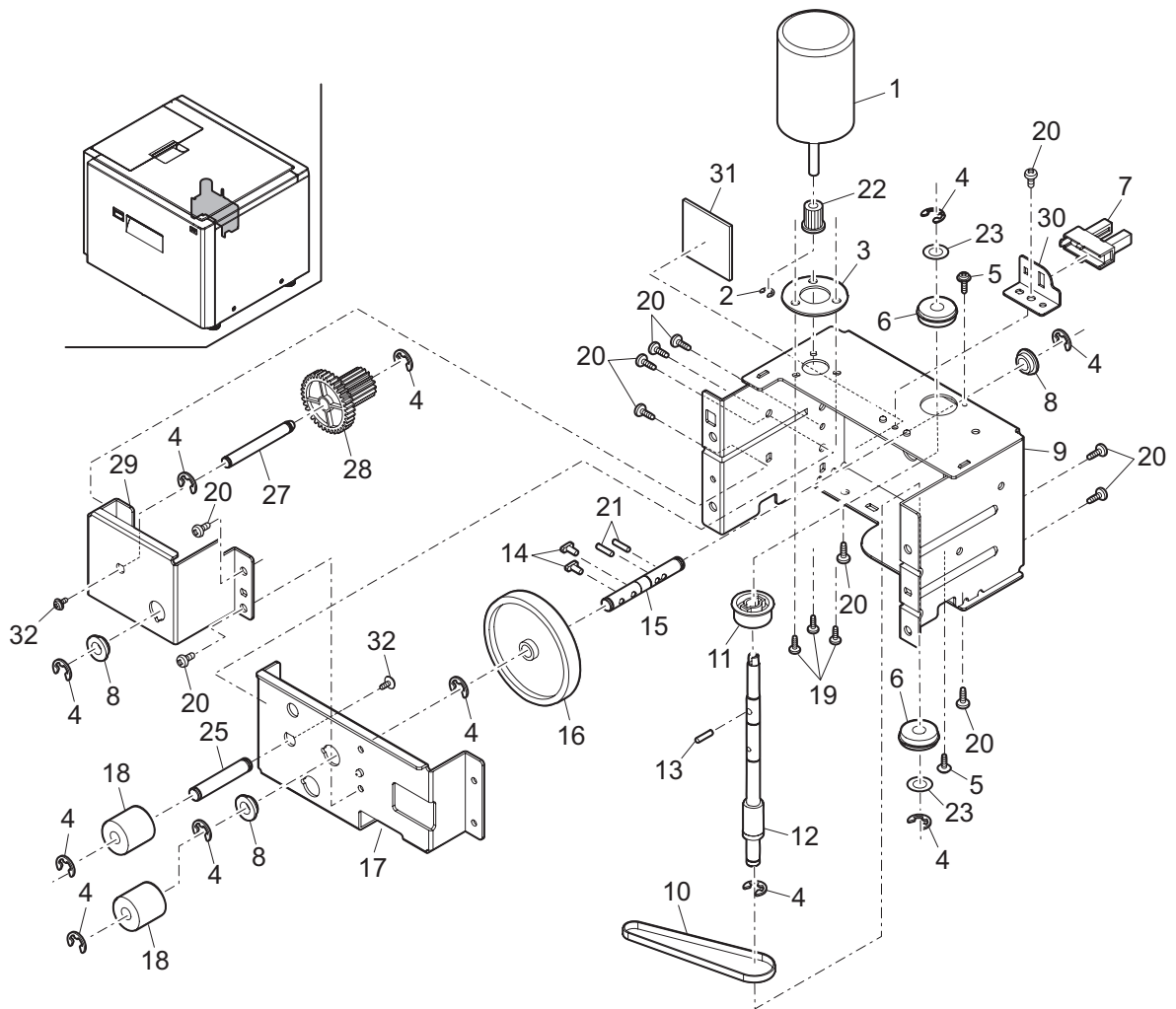




ITEM No.	PART No.	PART NAME	Q'TY / PAGE	Q'TY / PACK	REMARKS
1	6LS04830000	Ball bearing			
2	6LA58928000	E-ring			
4	6LS04913000	PF gear 18T			
5	6LS02960000	DV idle gear 24T			
6	6LS05352000	Drive collar			
7	6LS04911000	Transfer gear 22T			
8	6LS04901000	Gear 16T			
9	6LS06222000	Screw			
10	6LS02921000	Paper feeding frame R			
11	6LS06045000	Door switch			
12	6LS03166000	Transport sensor IF harness			
13	6LS04795000	Bearing			
14	6LS05136000	Reversal roller shaft A			
15	6LS03724000	SP pin			
16	6LS03000000	Separate fulcrum plate			
17	6LS04710000	Separate spring HE			
18	6LS04408000	Pressure arm			
19	6LS05346000	Paper feed torque limiter			
20	6LS03778000	PF support plate			
21	6LS05137000	PF lever shaft			
22	6LS04471000	PF pressurization lever			
24	6LS04454000	Cassette pressurization lever			
25	6LS04289000	Screw			
26	6LS04676000	Cassette pressurization plate spring			
27	6LS02998000	Cassette pressurization plate			
28	6LS05066000	Paper feed separate roller			
29	6LS03740000	SP pin			
30	6LS03645000	Rotation fulcrum holder			
31	6LS05107000	Reversal roller shaft B LC			
32	6LS04856000	Separate coupling			
34	6LS06169000	Transfer sensor			
35	6LS03534000	Paper feed frame F			
36	6LS06026000	Delivery earth plate			
37	6LA58794500	Screw M3X8			
40	6LS05052000	Transport roller			
41	6LS05570000	Separate roller guide			
42	6LS05511000	PF lower guide			
43	6LS05807000	Separate sheet			
44	6LS03742000	SP pin			
45	6LS06227000	Screw			
46	6LS04378000	Push nut(M4)			
47	6LS02999000	PF pressurization plate			
48	6LS04293000	Step screw			
49	6LA58926000	E-ring			
51	6LS03737000	SP Pin			
52	6LS04395000	Poly slider			
53	6LA58794800	SCREW M4X16			
54	6LS01818000	Oneway gear			
55	6LS04786000	Bearing			
56	6LA58793800	Screw M4X12			
57	6LS03819000	Harness holder			
58	6LS06179000	Screw			
61	6LS04374000	Screw			





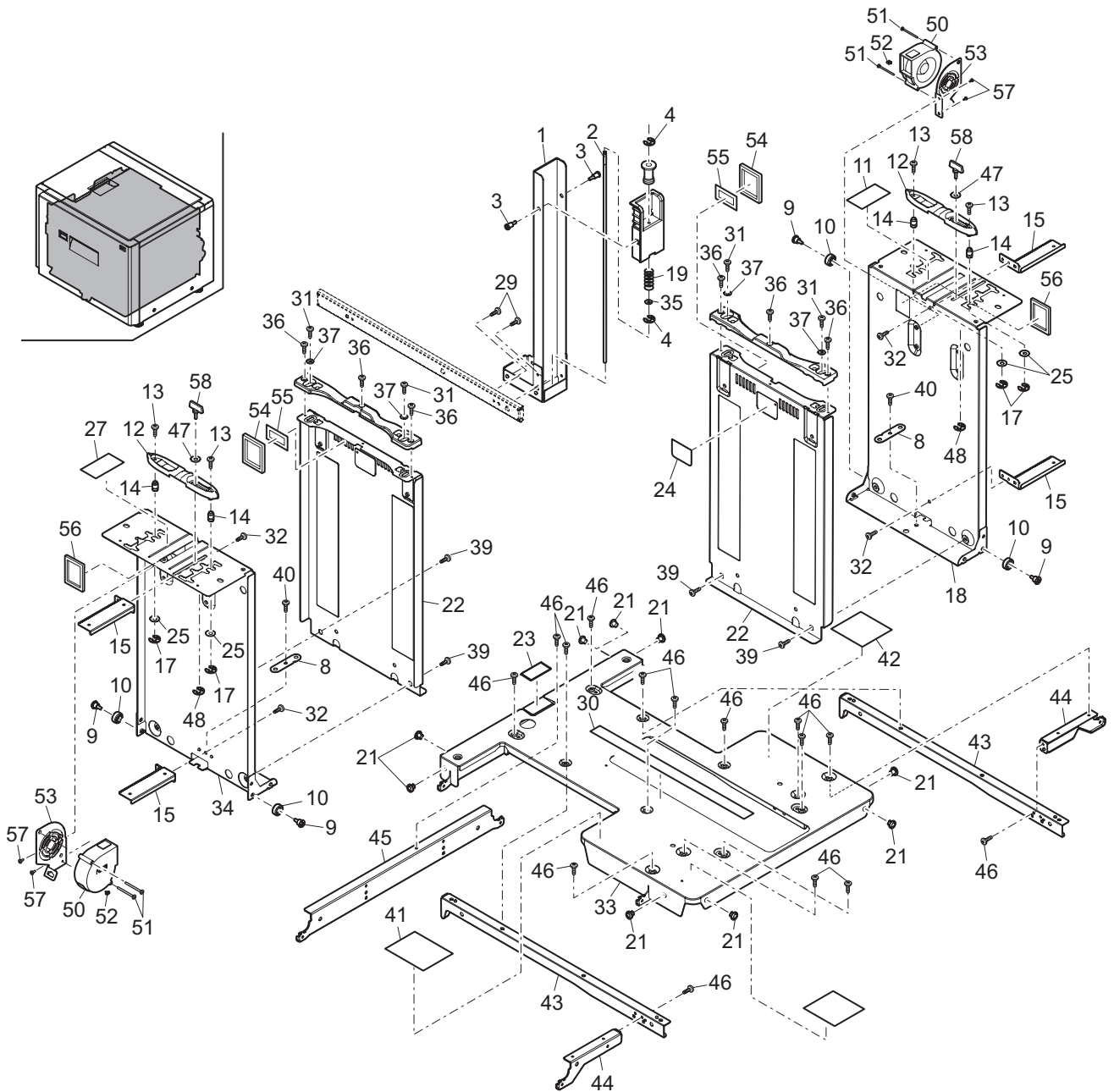




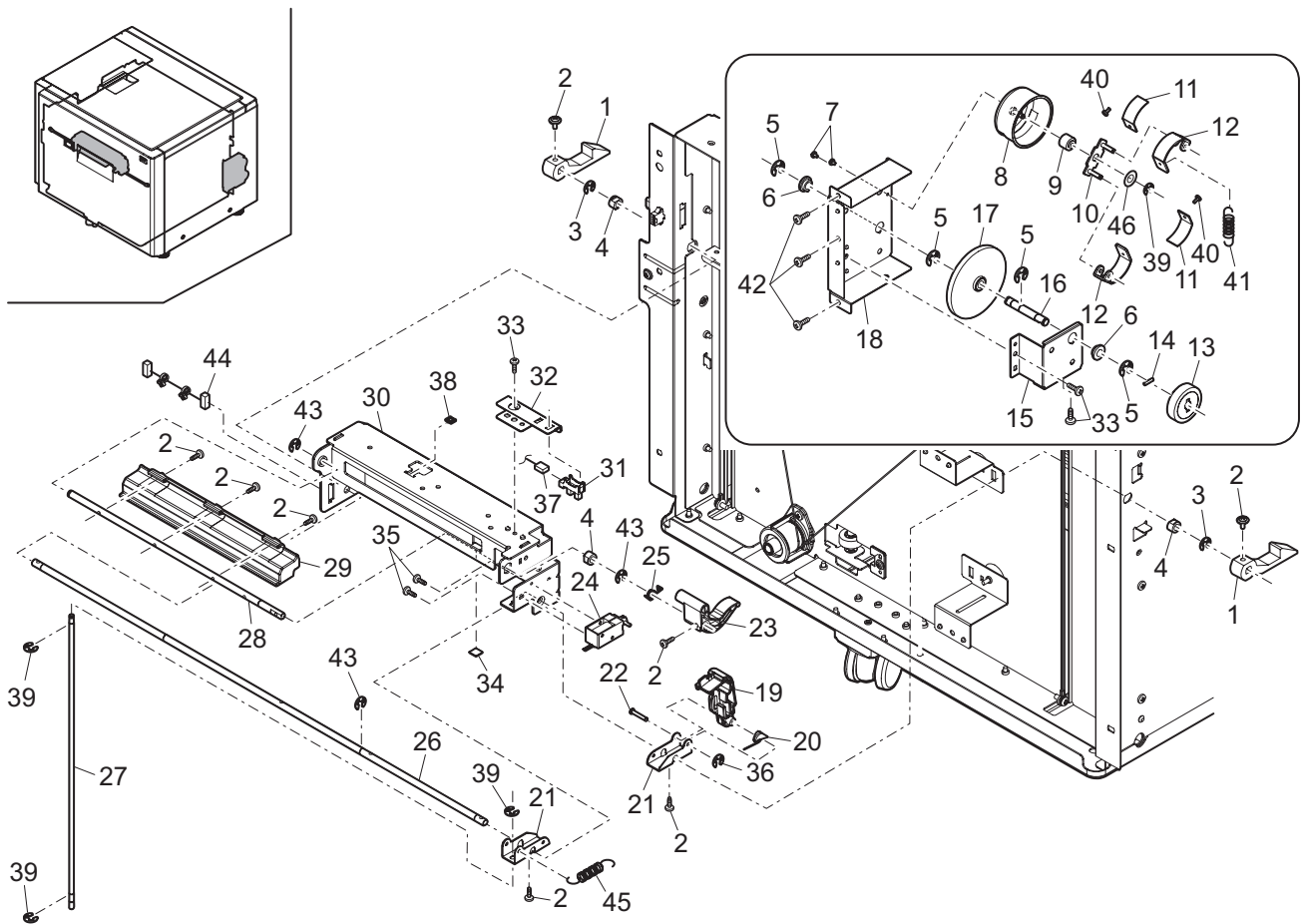


ITEM No.	PART No.	PART NAME	Q'TY / PAGE	Q'TY / PACK	REMARKS
1	6LS05510000	Cassette harness guide			
2	6LS04305000	Screw			
3	6LS06243000	E ring			
4	6LS05371000	Wire fixing collar N			
5	6LS05004000	Wire pulley			
6	6LS03004000	Wire pulley boss fixing plate AS			
7	6LS05126000	Cassette position shaft F			
8	6LS03005000	Wire pulley boss fixing plate2 AS			
9	6LS06007000	Rear wire S			
10	6LS06226000	Screw			
11	6LA58794800	SCREW M4X16			
12	6LS03788000	Reverse winding detect fixing plate			
13	6LS06222000	Screw			
14	6LS06047000	Door switch			
15	6LS03420000	Winding pulley cover A3 F			
16	6LS04787000	Bearing			
17	6LS04921000	Gear			
18	6LS05014000	Wire reel			
19	6LS01814000	S tray reverse collar			
20	6LS05124000	Switch shaft			
22	6LS05657000	Cassette stopper rubber			
23	6LS04790000	Bearing			
24	6LA58926000	E-ring			
25	6LS04902000	Roller gear			
26	6LS03726000	Pin			
27	6LS05121000	Regulation plate joint shaft			
28	6LS06170000	Transport sensor			
29	6LS03791000	Lower limit sensor fixing plate			
30	6LS04412000	Reverse winding detect arm			
31	6LA58794500	Screw M3X8			
32	6LS01824000	Caster			
33	6LS06004000	Wire L			
34	6LS05123000	Winding shaft A3			
35	6LS03799000	Tray caster fixing plate			
36	6LA58793200	Screw M3X8			
37	6LS04293000	Step screw			
38	6LS06162000	Sensor			
39	6LS05125000	Cassette position shaft F			
40	6LS04112000	Paper top side detect fixing plate			
41	6LS03421000	Paper in cover			
42	6LS05808000	Cover tape			
43	6LS03169000	Cassette unit side harnessA3 CD			
44	6LS03783000	Rear end plate slide plate			
45	6LS04152000	Rear edge plate rail			
46	6LS06006000	Rear wire L			
47	6LS06005000	Wire S			
48	6LS04324000	Screw			
50	6LS03730000	Pin			
52	6LA58928000	E-ring			
53	6LS06192000	Screw			
54	6LS06177000	Screw			
56	6LA58793700	SCREW M4X10			
57	6LS01806000	Edge saddle			
58	6LS03168000	Cassette unit rear harnessA3 CD			
59	6LS04300000	Body positioning step screw			
60	6LS04546000	Switch spring			
62	6LS03812000	Wire pulley boss sub plate			
63	6LS03813000	Cassette R frame sub plate			
64	6LS04374000	Screw			

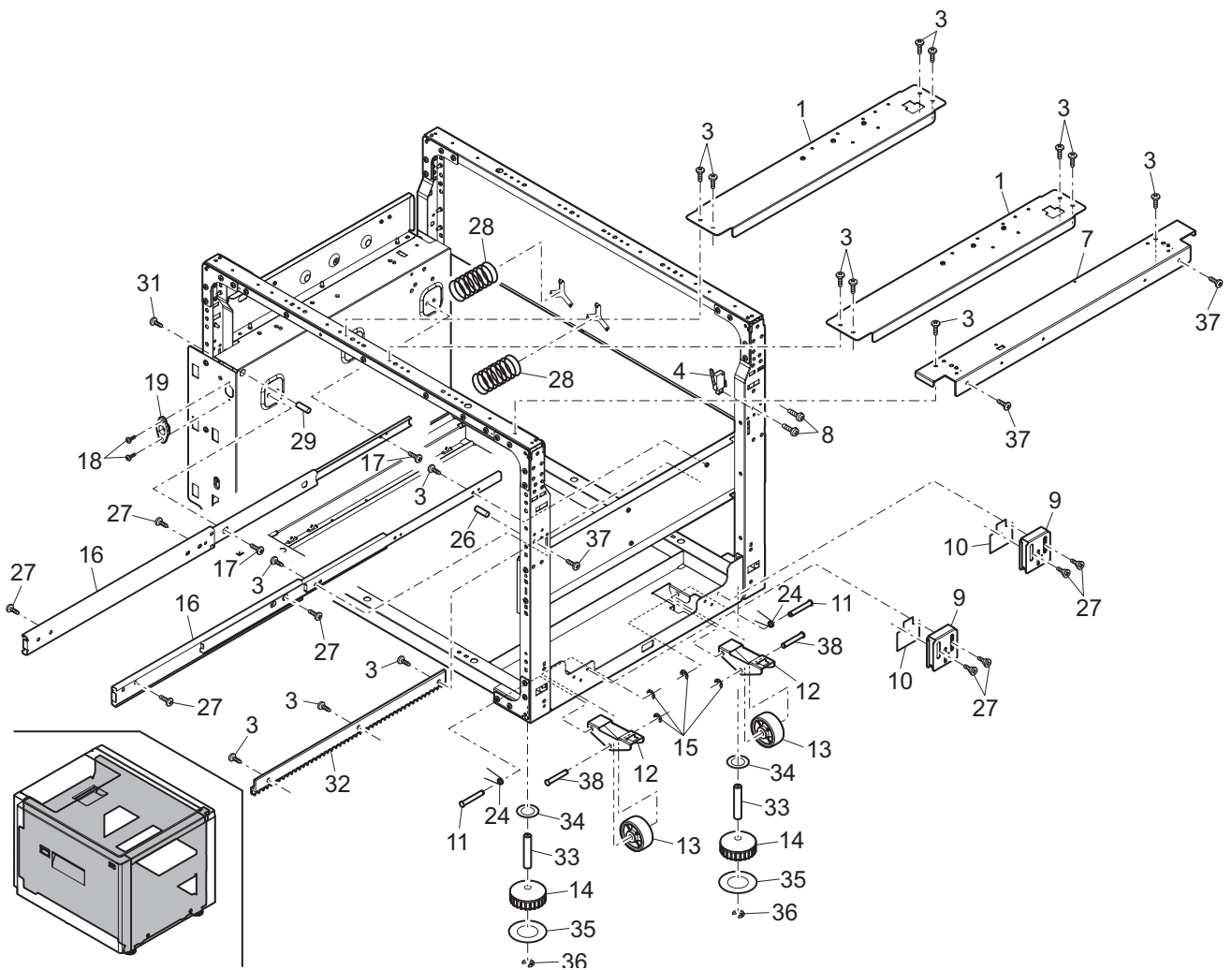




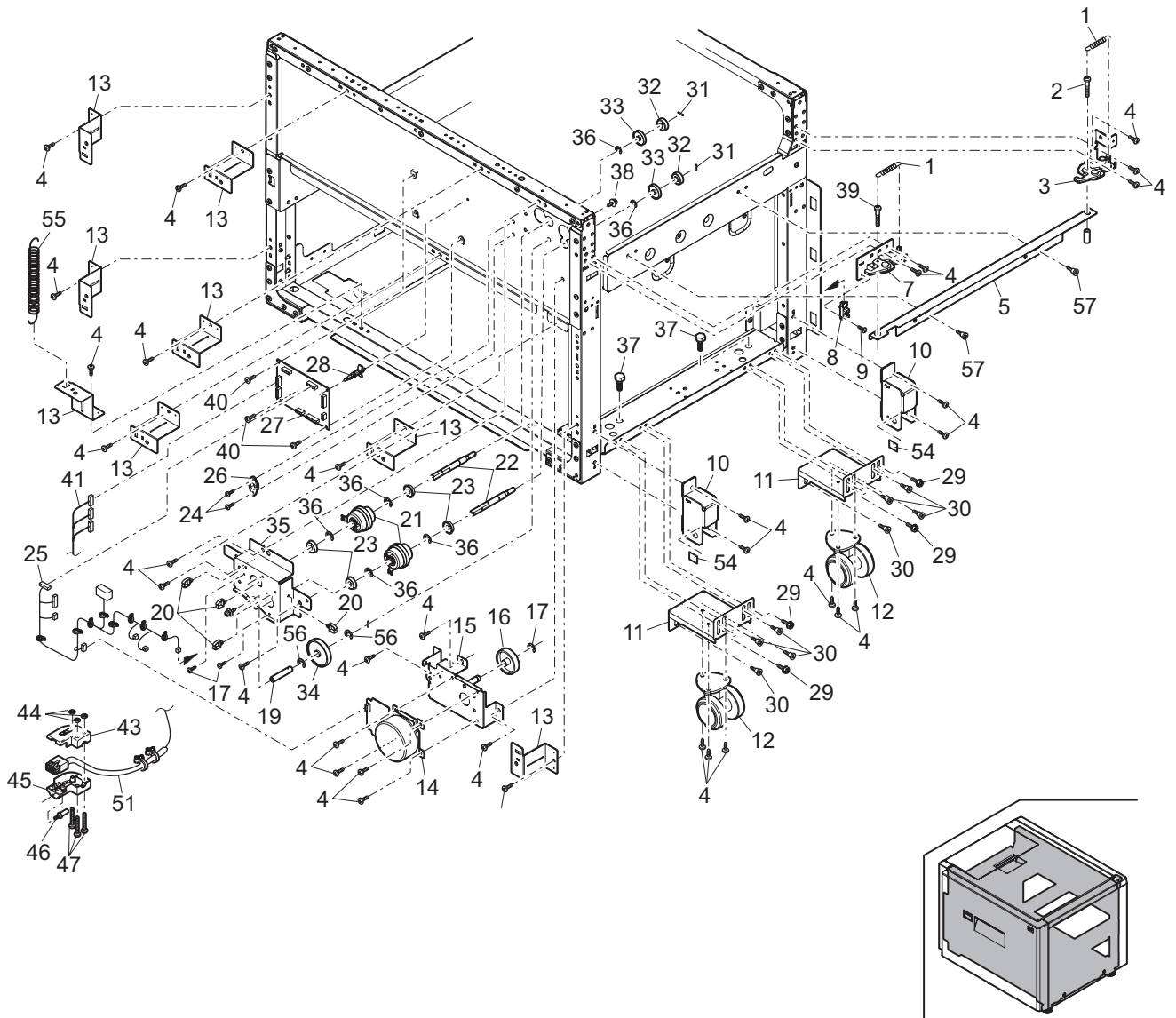
ITEM No.	PART No.	PART NAME	Q'TY / PAGE	Q'TY / PACK	REMARKS
1	6LS03001000	Rear end plate			
2	6LS05119000	Rear end plate adjust shaft			
3	6LS04256000	Step screw			
4	6LA58923000	E-ring			
8	6LS03002000	Regulation plate position plate			
9	6LS04299000	Step screw			
10	6LS05356000	Cassette rail collar			
11	6LS06112000	Width size label R CD			
12	6LS04117000	Size adjust lock plate			
13	6LA58792800	Screw M3X8			
14	6LS05122000	Size adjust lock shaft			
15	6LS04984000	Regulation plate rack F			
17	6LA58926000	E-ring			
18	6LS03786000	Size regulation sub plate R			
19	6LS04545000	Rear end lock spring			
21	6LS03484000	Snap rivet			
22	6LS03784000	Size regulation plate			
23	6LS05920000	Paper feed base sheet			
24	6LS06119000	Indication label			
25	6LS04383000	Washer			
27	6LS06111000	Width size label F CD			
29	6LS04305000	Screw			
30	6LS06113000	Length size label CD			
31	6LS04325000	Screw			
32	6LS04324000	Screw			
33	6LS03490000	Paper feed base			
34	6LS03785000	Size regulation sub plate F			
35	6LS06248000	Washer			
36	6LA58793200	Screw M3X8			
37	6LS04390000	Washer			
39	6LS04312000	Screw			
40	6LA58794800	SCREW M4X16			
41	6LS06122000	Carry base prohibition label			
42	6LS06121000	Caution label			
43	6LS04196000	Paper feed base reinforce stay			
44	6LS04198000	Wire L stay R			
45	6LS04197000	Wire S stay			
46	6LS04305000	Screw			
47	6LS06250000	Washer			
48	6LS06240000	E ring			
50	6LS04866000	Process exhaust fan			
51	6LS06198000	Screw			
52	6LS03603000	Mini clamp			
53	6LS03787000	Cassette fan fixing plate			
54	6LS05673000	Duct molt			
55	6LS05814000	Duct sheet			
56	6LS05647000	Fan gasket			
57	6LS04305000	Screw			
58	6LS04333000	Bolt			



ITEM No.	PART No.	PART NAME	Q'TY / PAGE	Q'TY / PACK	REMARKS
1	6LS05977000	Delivery lock pawl			
2	6LA58792800	Screw M3X8			
3	6LS06242000	E ring			
4	6LS04790000	Bearing			
5	6LA58928000	E-ring			
6	6LS04785000	Bearing			
7	6LA58792000	Screw M3X4			
8	6LS03069000	Brake plate ass'y			
9	6LS04887000	Gear 12T			
10	6LS02990000	Centrifugal fixing plate ass'y			
11	6LS05924000	Centrifugal brake pad			
12	6LS03751000	Centrifugal plate			
13	6LS04920000	Cassette brake gear			
14	6LS03726000	Pin			
15	6LS03537000	Cassette brake frame 2 A3			
16	6LS05130000	Cassette brake shaft 2			
17	6LS01817000	Gear 78			
18	6LS03536000	Cassette brake frame 1 A3			
19	6LS04414000	Lock pawl link arm			
20	6LS04611000	Lock pawl link arm spring			
21	6LS03790000	Lock tension plate			
22	6LS01834000	Delivery holder shaft			
23	6LS04413000	Handle link arm			
24	6LS06092000	Keep solenoid			
25	6LS04613000	Lever return spring			
26	6LS05127000	Cassette lock shaft			
27	6LS05120000	E lock release shaft			
28	6LS05128000	Lock release lever shaft			
29	6LS04474000	Lock release lever			
30	6LS03789000	Cassette lock plate			
31	6LS06158000	Photo sensor			
32	6LS03794000	Handle sensor fixing plate			
33	6LA58794800	SCREW M4X16			
34	6LS05658000	Handle stopper rubber A3			
35	6LS04326000	Screw			
36	6LS06240000	E ring			
37	6LS03163000	Lock release clutch harness			
38	6LS01806000	Edge saddle			
39	6LA58923000	E-ring			
40	6LS06202000	Screw			
41	6LS04667000	Centrifugal spring			
42	6LS04324000	Screw			
43	6LA58926000	E-ring			
44	6LS03167000	Cassette unit front harness A3 CD			
45	6LS04675000	Lock spring			
46	6LS06248000	Washer			

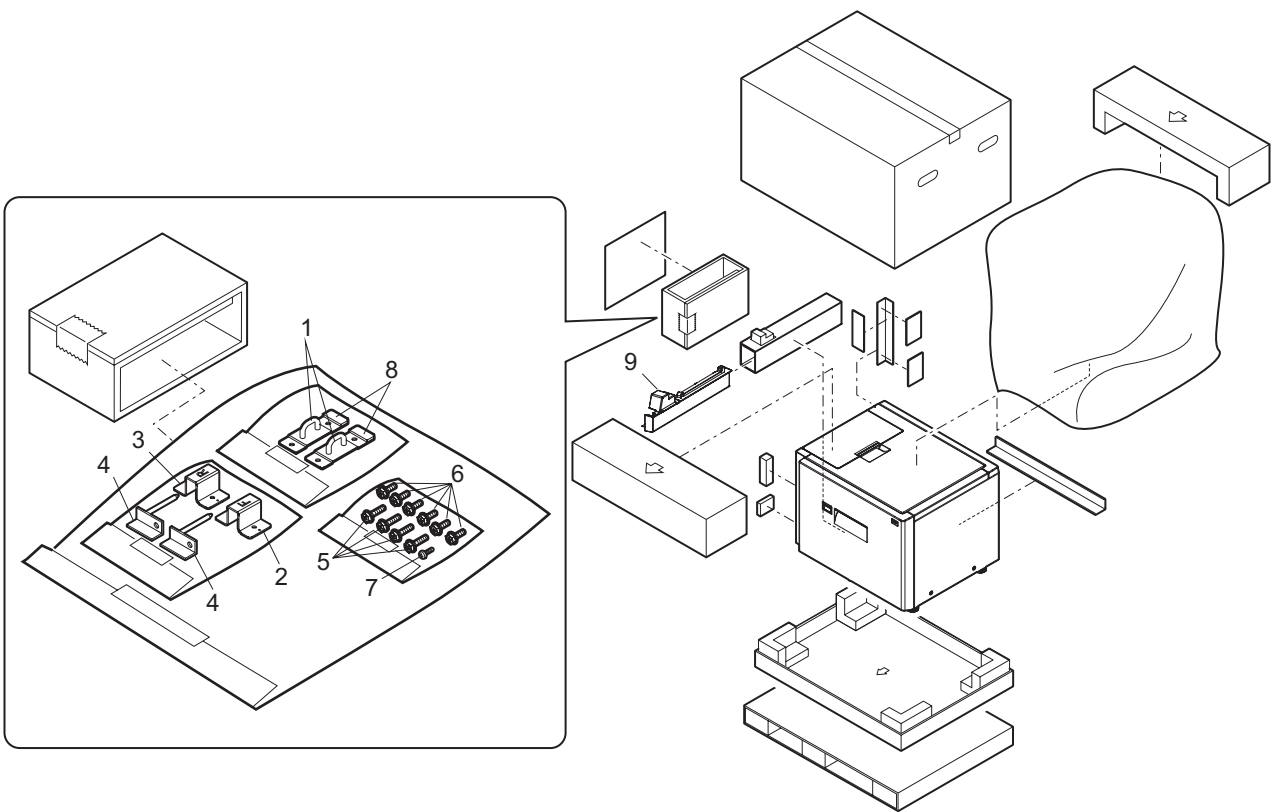






ITEM No.	PART No.	PART NAME	Q'TY / PAGE	Q'TY / PACK	REMARKS
1	6LS04668000	Lock release plate spring			
2	6LS04322000	Lock release step screw			
3	6LS03006000	Lock fixing plate F			
4	6LA58794800	SCREW M4X16			
5	6LS01828000	Lock release joint plate			
7	6LS01804000	Lock fixing plate R ass'y			
8	6LS06159000	Photo sensor			
9	6LA58792000	Screw M3X4			
10	6LS03780000	LCC fixing plate lower			
11	6LS03782000	Left caster adjust plate			
12	6LS03447000	50 caster T			
13	6LS03765000	Rear cabinet fixing plate			
14	6LS06070000	Transport motor SB			
15	6LS02922000	Drive frame 1			
16	6LS04919000	Gear 18T/54T			
17	6LA58794500	Screw M3X8			
19	6LS05134000	43T gear shaft			
20	6LS03603000	Mini clamp			
21	6LS05336000	5K clutch			
22	6LS05133000	Clutch shaft			
23	6LS04830000	Ball bearing			
24	6LA58852000	Screw			
25	6LS03161000	PF side main harness			
26	6LS03640000	Holder C			
27	6LS03103000	LCC main PWB UN A3			
28	6LS04246000	PWB support			
29	6LS01810000	Screw			
30	6LS04259000	Step screw			
31	6LS03727000	Pin			
32	6LS04914000	Paper feed gear			
33	6LS05353000	Drive collar			
34	6LS04899000	Gear 43T			
35	6LS03535000	Drive frame 2			
36	6LA58926000	E-ring			
37	6LS04321000	Screw			
38	6LS04374000	Screw			
39	6LS01811000	Lock release step screw			
40	6LA58792100	Screw			
41	6LS03162000	Cassette IF harness			
43	6LS01816000	Connector cover B			
44	6LS01825000	Nut			
46	6LS01807000	Screw for EL Connector			
47	6LS01808000	Screw			
51	6LS03177000	Interface harness			
54	6LS06118000	Installation positioning display label A3			
55	6LS04674000	Harness guide spring			
56	6LA58928000	E-ring			
57	6LS04262000	Step screw			









**TOSHIBA**

**TOSHIBA TEC CORPORATION**

1-11-1, OSAKI, SHINAGAWA-KU, TOKYO, 141-8562, JAPAN