

**TOSHIBA**

# **SERVICE PARTS LIST**

Large Capacity Tray

**MX-LC13**

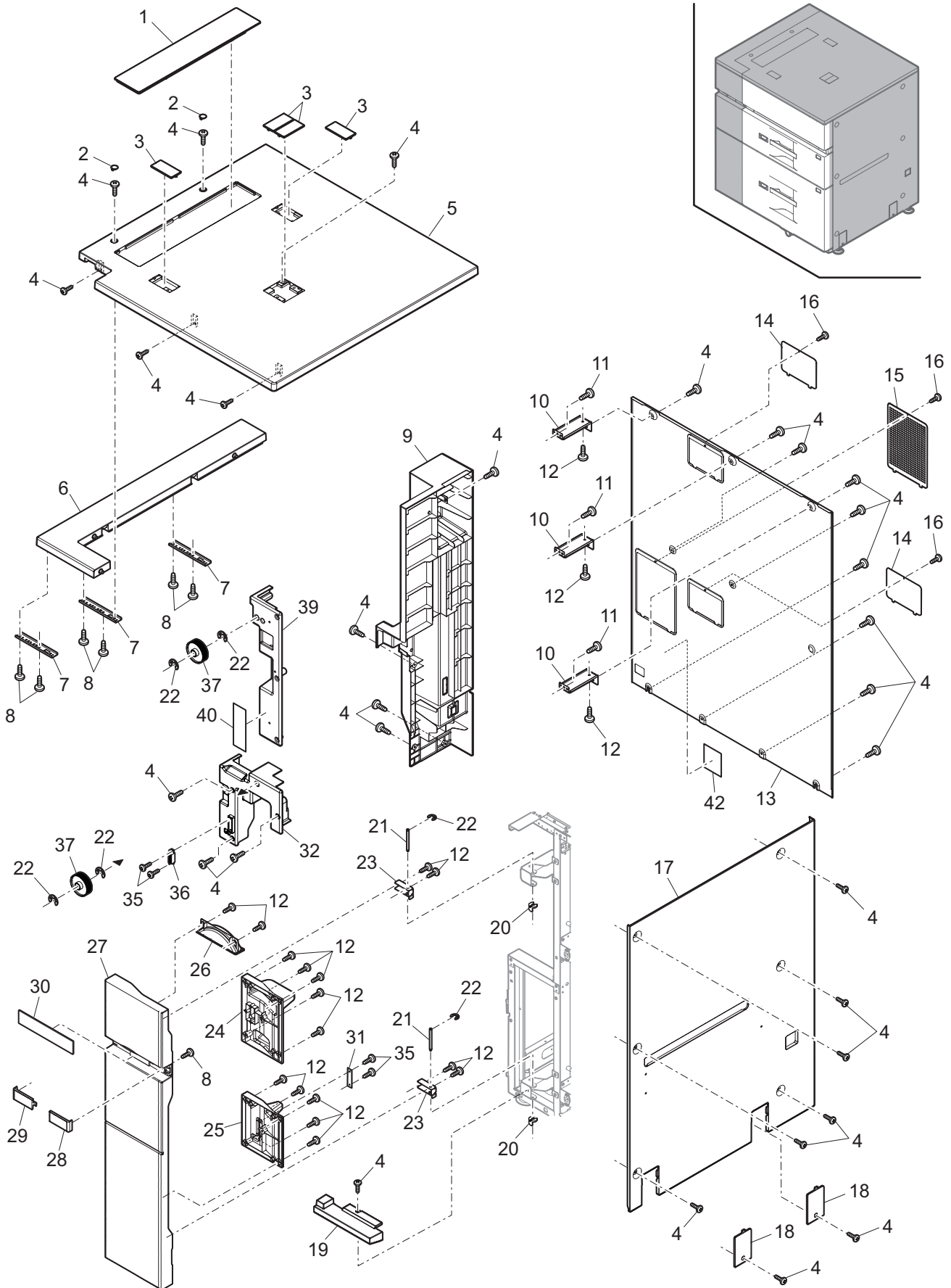
© 2014 TOSHIBA TEC CORPORATION All rights reserved

Under the copyright laws, this manual cannot be reproduced in any form without prior written permission of TOSHIBA TEC CORPORATION. No patent liability is assumed, however, with respect to the use of the information contained herein.

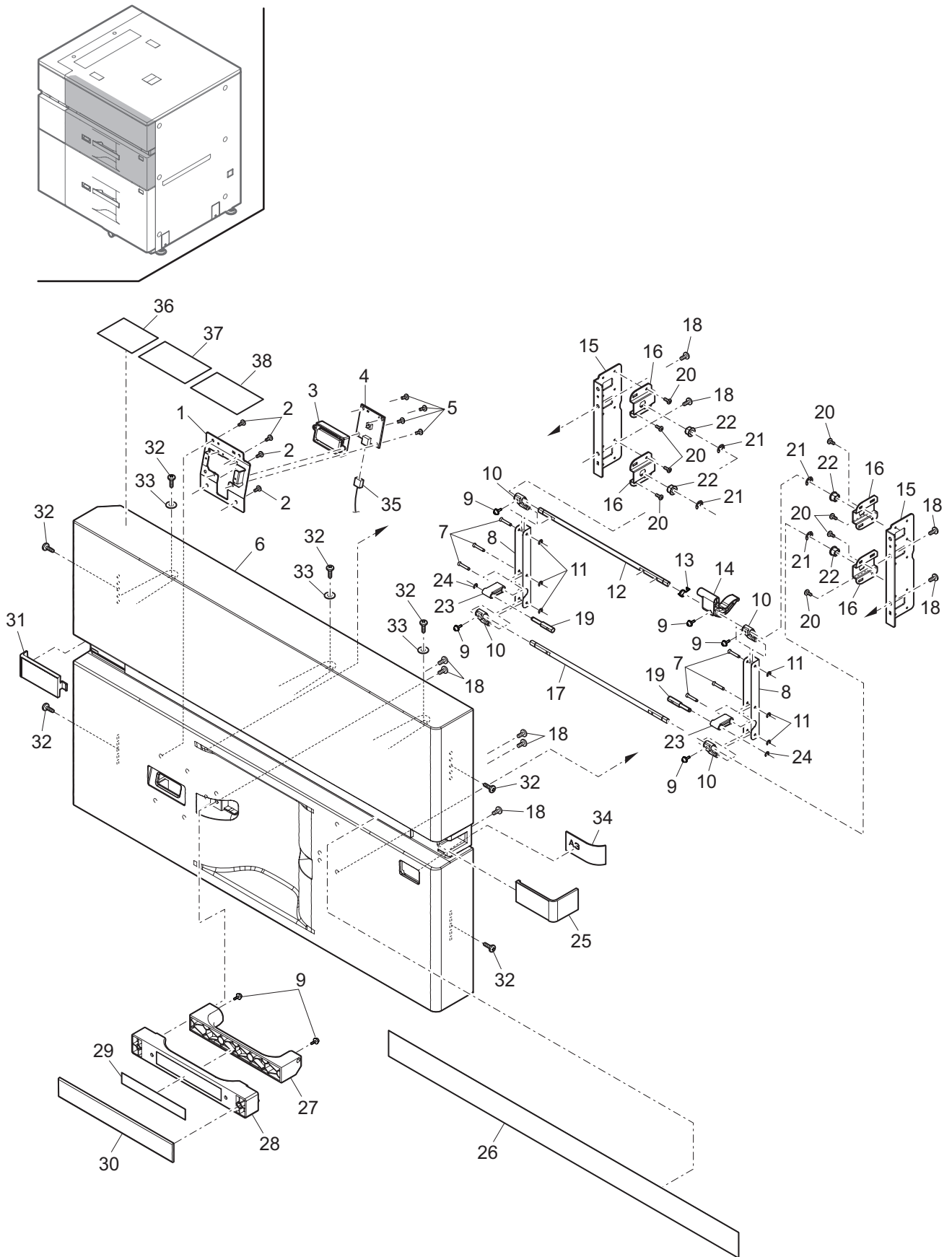
# CONTENTS

EXTERIORS .....	1
TRAY_COVER_UPPER.....	2
TRAY_COVER_LOWER.....	3
TRAY_REGULATE_PLATE_SECTION_1.....	4
TRAY_REGULATE_PLATE_SECTION_2.....	5
TRAY_LIFT_UP_SECTION_2.....	6
TRAY_FRAME_SECTION_1 .....	7
TRAY_FRAME_SECTION_2 .....	8
TRAY_LOCK_UNIT.....	9
TRAY_DRIVE_UNIT.....	10
AIR_PAPER_FEED_UNIT .....	11
VERTICAL_TRANSPORT_SECTION_1.....	12
VERTICAL_TRANSPORT_SECTION_2.....	13
VERTICAL_TRANSPORT_SECTION_3.....	14
VERTICAL_TRANSPORT_SECTION_4.....	15
VERTICAL_TRANSPORT_SECTION_5.....	16
FRAME_SECTION_1.....	17
FRAME_SECTION_2.....	18
FRAME_SECTION_3.....	19
MAIN_DRIVE_UNIT.....	20
PAPER_FEED_TRANSPORT_DRIVE_UNIT_CS1 .....	21
PAPER_FEED_TRANSPORT_DRIVE_UNIT_CS2 .....	22
FREE_STOP_FRONT_SECTION.....	23
FREE_STOP_REAR_SECTION.....	24
ACCESSORIES .....	25



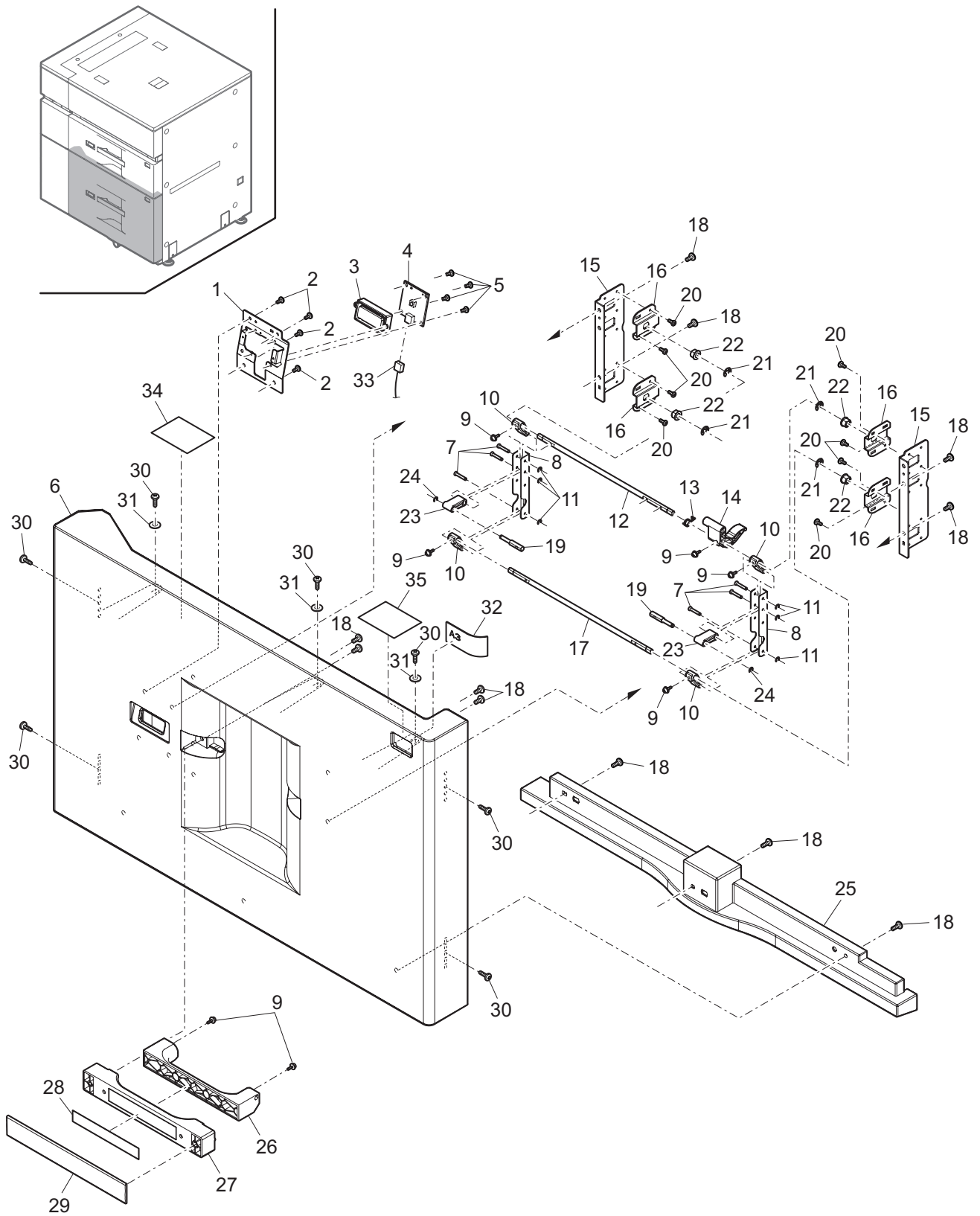


ITEM No.	PART No.	PART NAME	Q'TY / PAGE	Q'TY / PACK	REMARKS
1	6LS05465000	LCT Manual feed transport cover			
2	6LS03419000	Screw cover			
3	6LS05466000	LCT Manual feed fixing cover			
4	6LS06227000	Screw			
5	6LS03400000	LCT upper cabinet			
6	6LS03417000	LCT upper cabinet L			
7	6LS04080000	LCT upper cabinet left fixing plate			
8	6LS06210000	Screw			
9	6LS03406000	LCT left rear cabinet			
10	6LS04018000	LCT rear cabinet fixing plate			
11	6LA58794800	SCREW M4X16			
12	6LA58793700	SCREW M4X10			
13	6LS03404000	LCT rear cabinet			
14	6LS03444000	Rear cabinet cover			
15	6LS03424000	Exhaust filter cover			
16	6LA58794500	Screw M3X8			
17	6LS03403000	LCT right cabinet			
18	6LS05383000	LCC cover R			
19	6LS03405000	LCT front lower cabinet			
20	6LS01831000	E-ring			
21	6LS05307000	LCT left door fulcrum shaft			
22	6LA58926000	E-ring			
23	6LS04028000	LCT left door open/close fulcrum plate			
24	6LS03402000	LCT left front inner cabinet			
25	6LS03412000	LCT left door inner cabinet lower			
26	6LS03455000	Cassette handle			
27	6LS03401000	LCT left front cabinet			
28	6LS03399000	Dress cover R			
29	6LS03397000	Dress cover L			
30	6LS05955000	LCT left front cabinet sheet			
31	6LS03752000	Magnet catch TPG			
32	6LS03411000	LCT inner cabinet left lower			
35	6LA58793200	Screw M3X8			
36	6LS05665000	Magnet cautch			
37	6LS03465000	PS knob			
39	6LS03410000	LCT inner cabinet left upper			
40	6LS06145000	Vertical transport open/close label			
42	6LS06114000	Machine power caution label			
60	6LS04277000	2000 lock arm screw			

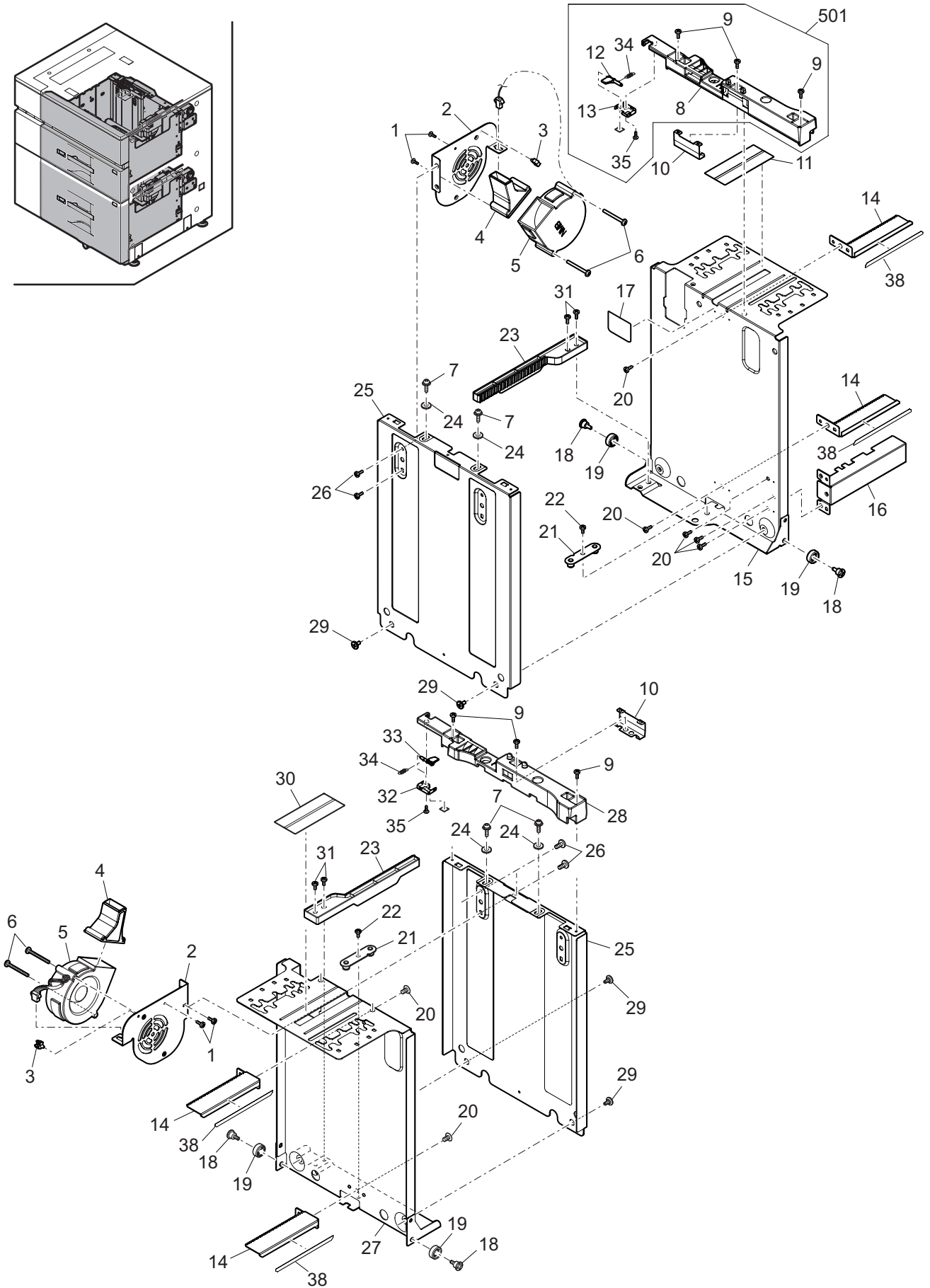


ITEM No.	PART No.	PART NAME	Q'TY / PAGE	Q'TY / PACK	REMARKS
1	6LS03795000	Descend SW fixing plate			
2	6LA58793100	Screw M3X6			
3	6LS03450000	Tandem SW button			
4	6LS03093000	Descend SW PWB unit			
5	6LA58792100	Screw			
6	6LS03407000	LCT front cabinet 1CS			
7	6LS01834000	Delivery holder shaft			
8	6LS04020000	LCT release joint plate 1CS			
9	6LA58792800	Screw M3X8			
10	6LS04438000	LCT release arm 1CS			
11	6LS06240000	E ring			
12	6LS05276000	LCT release shaft 1CS upper			
13	6LS04613000	Lever return spring			
14	6LS04413000	Handle link arm			
15	6LS04017000	LCT release fulcrum plate 1CS			
16	6LS04019000	LCT release adjust plate			
17	6LS05277000	LCT release shaft 1CS lower			
18	6LA58793700	SCREW M4X10			
19	6LS05275000	LCT release lever shaft			
20	6LA58794400	Screw M3X6			
21	6LS06242000	E ring			
22	6LS04790000	Bearing			
23	6LS04437000	LCT release link arm 1CS			
24	6LA58923000	E-ring			
25	6LS05478000	LCT cassette corner cover			
26	6LS05956000	LCT front cabinet sheet			
27	6LS04501000	LCT release lever			
28	6LS03458000	LCT Handle			
29	6LS05993000	Handle support tape			
30	6LS03437000	Cassette handle cover			
31	6LS03397000	Dress cover L			
32	6LS06227000	Screw			
33	6LS06250000	Washer			
34 A	6LS06108000	Size label			
34 B	6LS06107000	Size label			
35	6LS03306000	LCT lift button harness			
36	6LS06141000	Regulate plate operation label			
37	6LS06143000	Postcard adapter label			
38	6LS06146000	Free Stop explanation label			

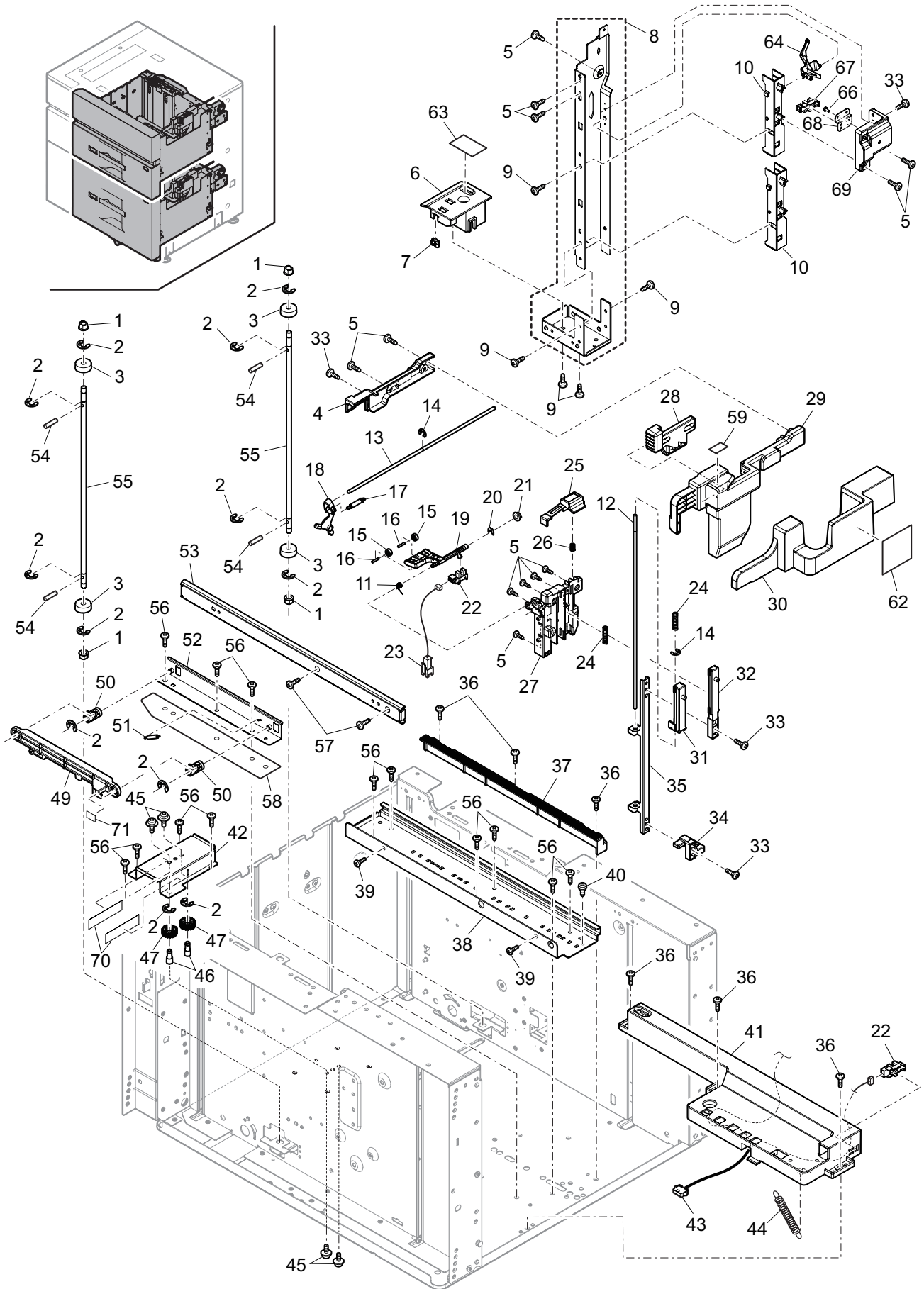




ITEM No.	PART No.	PART NAME	Q'TY / PAGE	Q'TY / PACK	REMARKS
1	6LS03795000	Descend SW fixing plate			
2	6LA58793100	Screw M3X6			
3	6LS03450000	Tandem SW button			
4	6LS03093000	Descend SW PWB unit			
5	6LA58792100	Screw			
6	6LS03408000	LCT front cabinet 2CS			
7	6LS01834000	Delivery holder shaft			
8	6LS04084000	LCT release joint plate 2CS			
9	6LA58792800	Screw M3X8			
10	6LS04438000	LCT release arm 1CS			
11	6LS06240000	E ring			
12	6LS05276000	LCT release shaft 1CS upper			
13	6LS04613000	Lever return spring			
14	6LS04413000	Handle link arm			
15	6LS04017000	LCT release fulcrum plate 1CS			
16	6LS04019000	LCT release adjust plate			
17	6LS05277000	LCT release shaft 1CS lower			
18	6LA58793700	SCREW M4X10			
19	6LS05275000	LCT release lever shaft			
20	6LA58794400	Screw M3X6			
21	6LS06242000	E ring			
22	6LS04790000	Bearing			
23	6LS04437000	LCT release link arm 1CS			
24	6LA58923000	E-ring			
25	6LS03409000	LCT front lower cabinet 2CS			
26	6LS04501000	LCT release lever			
27	6LS03458000	LCT Handle			
28	6LS05993000	Handle support tape			
29	6LS03437000	Cassette handle cover			
30	6LS06227000	Screw			
31	6LS06250000	Washer			
32 A	6LS06108000	Size label			
32 B	6LS06107000	Size label			
33	6LS03305000	LCT lift button harness 2			
34	6LS06141000	Regulate plate operation label			
35	6LS06146000	Free Stop explanation label			



ITEM No.	PART No.	PART NAME	Q'TY / PAGE	Q'TY / PACK	REMARKS
1	6LA58793200	Screw M3X8			
2	6LS04048000	Side fan fixing plate			
3	6LS03603000	Mini clamp			
4	6LS05502000	Side fan duct			
5	6LS04866000	Process exhaust fan			
6	6LS06198000	Screw			
7	6LS04325000	Screw			
8	6LS05469000	Regulate plate cover R 2500			
9	6LA58794500	Screw M3X8			
10	6LS04060000	Regulate plate			
11	6LS06137000	Width size display label R LCT			
12	6LS04148000	Tip fixing plate R			
13	6LS04091000	Tip fixing fulcrum plate R			
14	6LS04986000	Regulate plate rack gear 2500			
15	6LS04043000	Regulate plate reinforce plate R 2500			
16	6LS04056000	Size shading plate 2500			
17	6LS06119000	Indication label			
18	6LS04299000	Step screw			
19	6LS05356000	Cassette rail collar			
20	6LS04324000	Screw			
21	6LS03003000	Regulate plate positioning plate AS			
22	6LS06225000	Screw			
23	6LS04987000	Regulate plate link rack gear 2500			
24	6LS04390000	Washer			
25	6LS04041000	Regulate plate 2500			
26	6LS06179000	Screw			
27	6LS04042000	Regulate plate reinforce plate F 2500			
28	6LS05468000	Regulate plate cover F 2500			
29	6LS04312000	Screw			
30	6LS06136000	Width size display label F LCT			
31	6LS06228000	Screw			
32	6LS04092000	Tip fixing fulcrum plate F			
33	6LS04149000	Tip fixing plate F			
34	6LS04725000	Tip fixing spring			
35	6LS06206000	Screw			
38	6LS05913000	Regulate plate rack sheet			
501	6LS01841000	Regulate plate R UN			

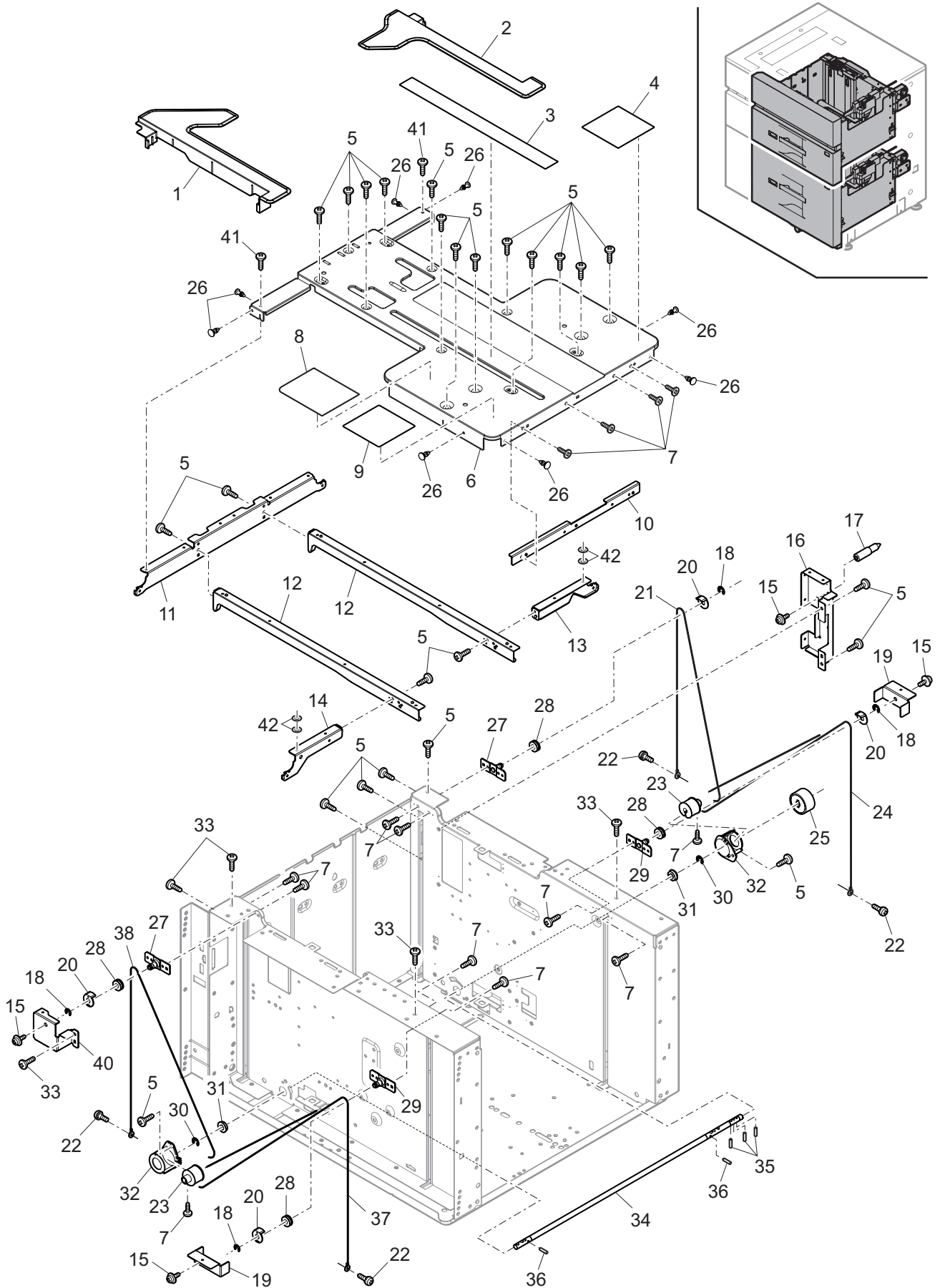


ITEM No.	PART No.	PART NAME	Q'TY / PAGE	Q'TY / PACK	REMARKS
1	6LS04790000	Bearing			
2	6LA58926000	E-ring			
3	6LS04902000	Roller gear			
4	6LS05476000	Release shaft cover			
5	6LA58793200	Screw M3X8			
6	6LS05638000	Rear edge harness guide 2500 CS			
7	6LS01806000	Edge saddle			
8	6LS03076000	Rear edge plate 2500 AS			
9	6LA58793700	SCREW M4X10			
10	6LS05477000	Rear edge plate harness cover			
11	6LS04643000	Upper limit actuator return spring			
12	6LS05283000	Rear edge shaft 2500			
13	6LS05282000	Actuator release shaft			
14	6LA58923000	E-ring			
15	6LS05369000	MF cam collar			
16	6LS03727000	Pin			
17	6LS04717000	Release arm return spring			
18	6LS04441000	ACT release arm			
19	6LS04503000	Paper feed upper limit actuator			
20	6LS01830000	E4 type ring			
21	6LS04781000	Bearing			
22	6LS06168000	Photo sensor			
23	6LS03307000	LCT upper limit sensor harness			
24	6LS04559000	Side plate lock spring			
25	6LS04482000	Multi lock lever			
26	6LS04560000	Multi lock lever spring			
27	6LS03717000	Rear edge plate lock base			
28	6LS04508000	Rear edge release lever			
29	6LS05475000	Rear edge plate lock cover			
30	6LS05642000	Tab paper rear edge guide			
31	6LS04145000	Rear edge plate slide plate			
32	6LS04146000	Rear edge plate multi slide plate			
33	6LA58794500	Screw M3X8			
34	6LS04516000	Rear edge plate multi block			
35	6LS04081000	Rear edge plate multi lock powl			
36	6LS04305000	Screw			
37	6LS04161000	Rear edge plate stopper rail			
38	6LS04053000	Rear edge plate slide plate 2500			
39	6LS06177000	Screw			
40	6LS03738000	Pin			
41	6LS05636000	Bottom plate harness guide 2500			
42	6LS05553000	Regulate plate rack guide 2500			
43	6LS03308000	LCT upper limit sensor relay harness			
44	6LS04718000	Bottom harness guide spring 2500			
45	6LA58792800	Screw M3X8			
46	6LS05284000	Regulate plate pinion shaft 2500			
47	6LS04884000	Pickup roller gear			
48	6LA58794800	SCREW M4X16			
49	6LS04504000	Vertical detect actuator			
50	6LS04442000	Vertical detect arm			
51	6LS04719000	Vertical detect spring			
52	6LS03077000	Vertical detect joint plate AS			
53	6LS04152000	Rear edge plate rail			
54	6LS03726000	Pin			
55	6LS05287000	Regulate plate joint shaft 2500			
56	6LS04301000	Screw			
57	6LS04304000	Screw			
58	6LS05903000	Vertical detect protect sheet			
59	6LS06142000	Rear edge plate release label			
62	6LS06144000	Tab paper adapter label			
63	6LS05898000	Postcard prohibition sheet 2500			
64	6LS04509000	Paper rear edge detect ACT			
66	6LA58793100	Screw M3X6			

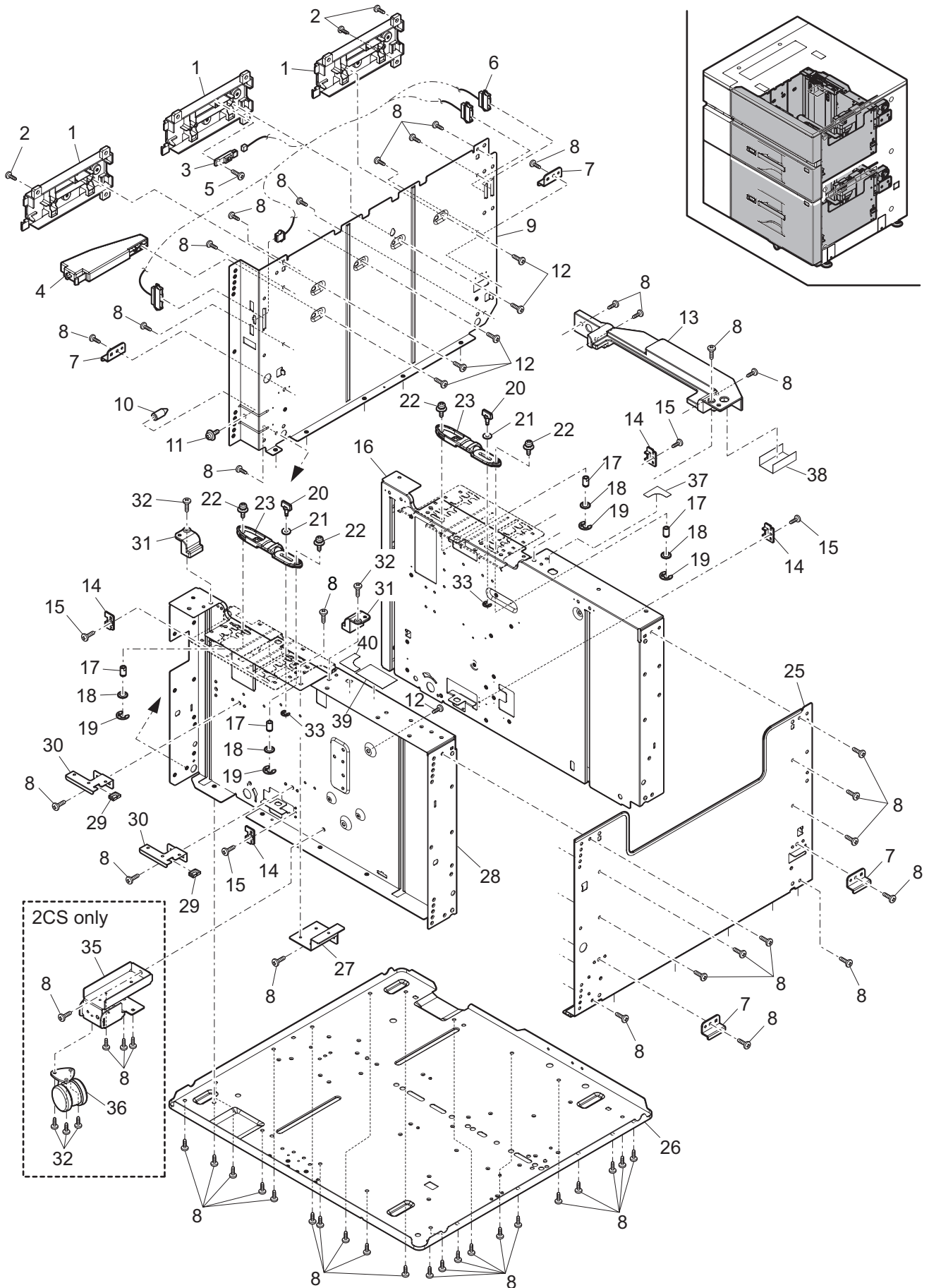




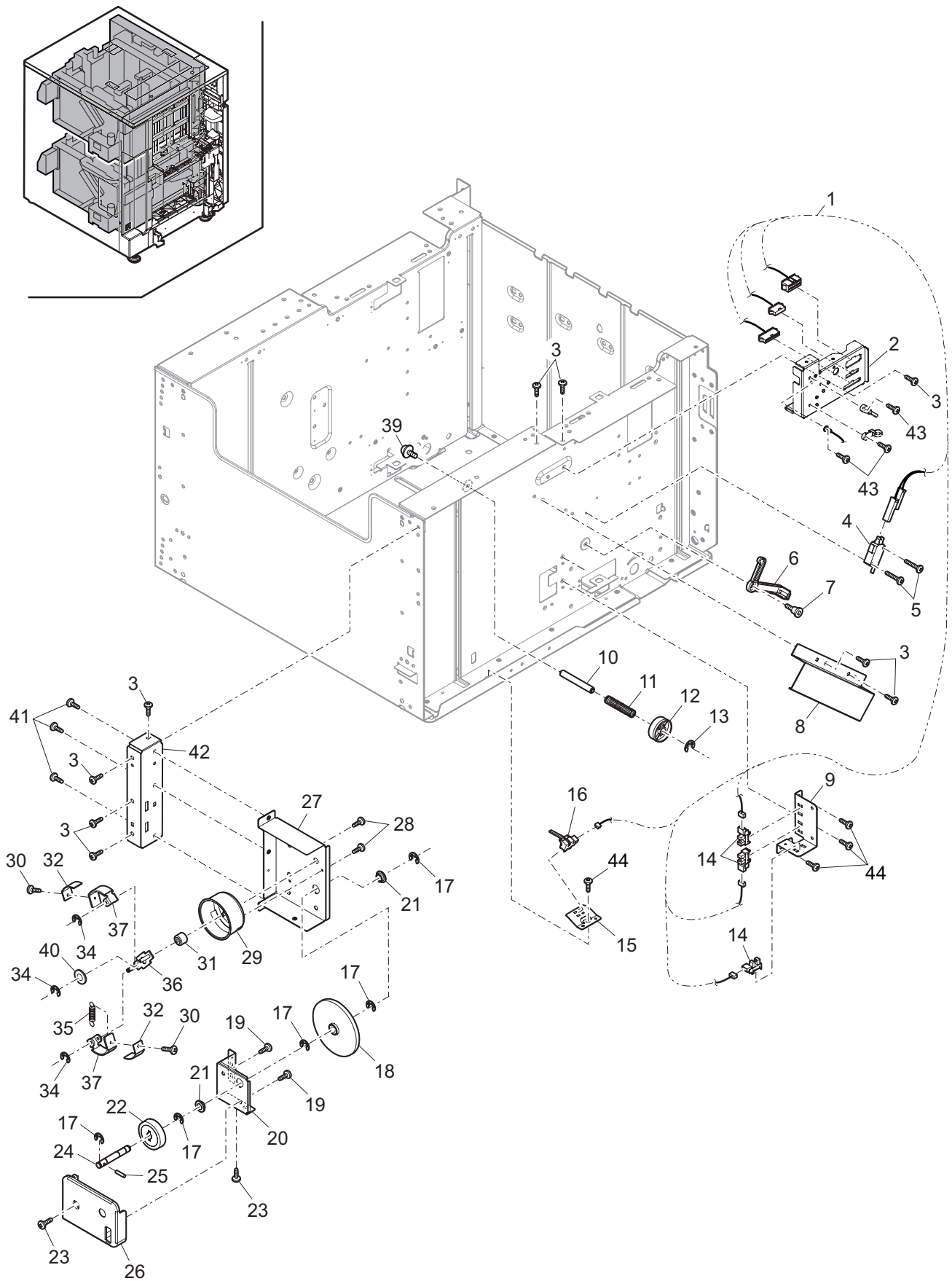




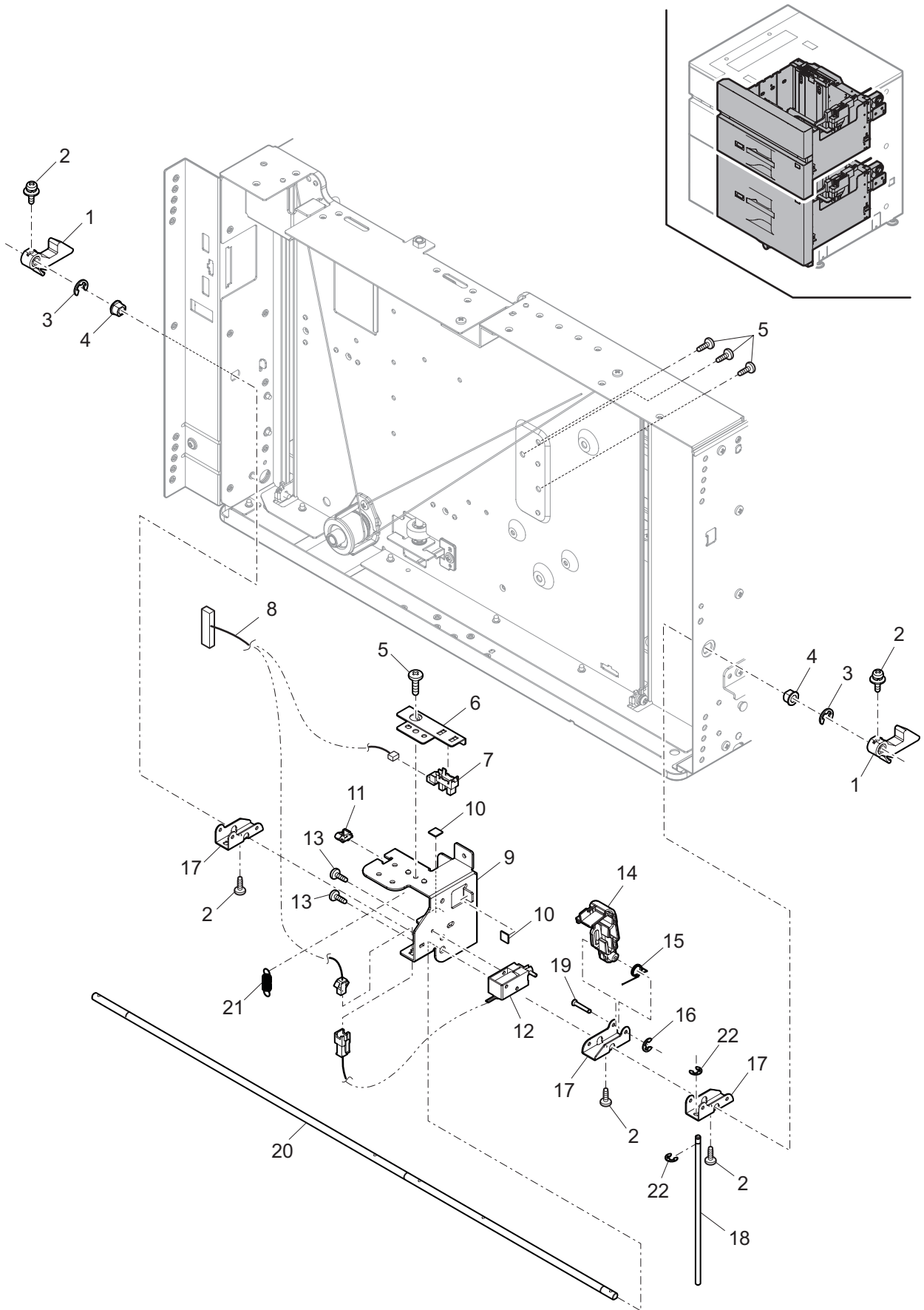
ITEM No.	PART No.	PART NAME	Q'TY / PAGE	Q'TY / PACK	REMARKS
1	6LS04140000	Paper feed base plate F 2500			
2	6LS04141000	Paper feed base plate R 2500			
3	6LS06138000	Vertical size display label LCT			
4	6LS06123000	Foreign body leave prohibition label			
5	6LS04305000	Screw			
6	6LS03518000	Paper feed base 2500			
7	6LS04324000	Screw			
8	6LS06122000	Carry base prohibition label			
9	6LS06139000	Paper feed base prohibition label LCT			
10	6LS04061000	Paper feed base reinforce plate right 2500			
11	6LS04050000	Wire left fixing plate 2500			
12	6LS04196000	Paper feed base reinforce stay			
13	6LS04198000	Wire L stay R			
14	6LS04059000	Wire right rear fixing plate			
15	6LS04374000	Screw			
16	6LS04046000	Cassette positioning plate R 2500			
17	6LS05289000	Cassette positioning shaft R 2500			
18	6LS06243000	E ring			
19	6LS04047000	Wire boss reinforce plate 2500			
20	6LS05371000	Wire fixing collar N			
21	6LS06013000	Rear wire left 2500			
22	6LS06192000	Screw			
23	6LS05014000	Wire reel			
24	6LS06014000	Rear wire right 2500			
25	6LS04921000	Gear			
26	6LS03484000	Snap rivet			
27	6LS03005000	Wire pulley boss fixing plate2 AS			
28	6LS05004000	Wire pulley			
29	6LS03004000	Wire pulley boss fixing plate AS			
30	6LA58928000	E-ring			
31	6LS04787000	Bearing			
32	6LS03420000	Winding pulley cover A3 F			
33	6LA58794800	SCREW M4X16			
34	6LS05123000	Winding shaft A3			
35	6LS03726000	Pin			
36	6LS03730000	Pin			
37	6LS06012000	Wire right 2500			
38	6LS06011000	Wire left 2500			
40	6LS04045000	Wire reinforce plate left front 2500			
41	6LS04304000	Screw			
42	6LS06250000	Washer			



ITEM No.	PART No.	PART NAME	Q'TY / PAGE	Q'TY / PACK	REMARKS
1	6LS05637000	Left harness guide 2500			
2	6LS06227000	Screw			
3	6LS06162000	Sensor			
4	6LS05639000	LCT door guide 2500			
5	6LA58793100	Screw M3X6			
6	6LS03310000	LCT cassette size harness			
7	6LS04055000	Rail holder plate 2500			
8	6LS04305000	Screw			
9	6LS03587000	Cassette left frame 2500			
10	6LS05288000	Cassette positioning shaft F 2500			
11	6LS04374000	Screw			
12	6LA58793700	SCREW M4X10			
13	6LS05471000	Rear frame cover 2500			
14	6LS05579000	Rack guide			
15	6LS04357000	Screw			
16	6LS03586000	Cassette rear frame 2500			
17	6LS05122000	Size adjust lock shaft			
18	6LS04383000	Washer			
19	6LA58926000	E-ring			
21	6LS06250000	Washer			
22	6LA58792800	Screw M3X8			
23	6LS04117000	Size adjust lock plate			
25	6LS03588000	Cassette right frame 2500			
26	6LS04049000	Cassette bottom plate 2500			
27	6LS04052000	Cassette front reinforce plate 2500			
28	6LS03585000	Cassette front frame 2500			
29	6LS01806000	Edge saddle			
30	6LS05510000	Cassette harness guide			
31	6LS05470000	Front frame cover 2500			
32	6LA58794800	SCREW M4X16			
33	6LS06240000	E ring			
35	6LS04044000	Caster fixing plate 2500			
36	6LS01824000	Caster			
37	6LS06149000	FS Lever label R			
38	6LS05915000	Shaft lock protection sheet			
39	6LS06147000	Label caution			
40	6LS06148000	FS Lever label F			

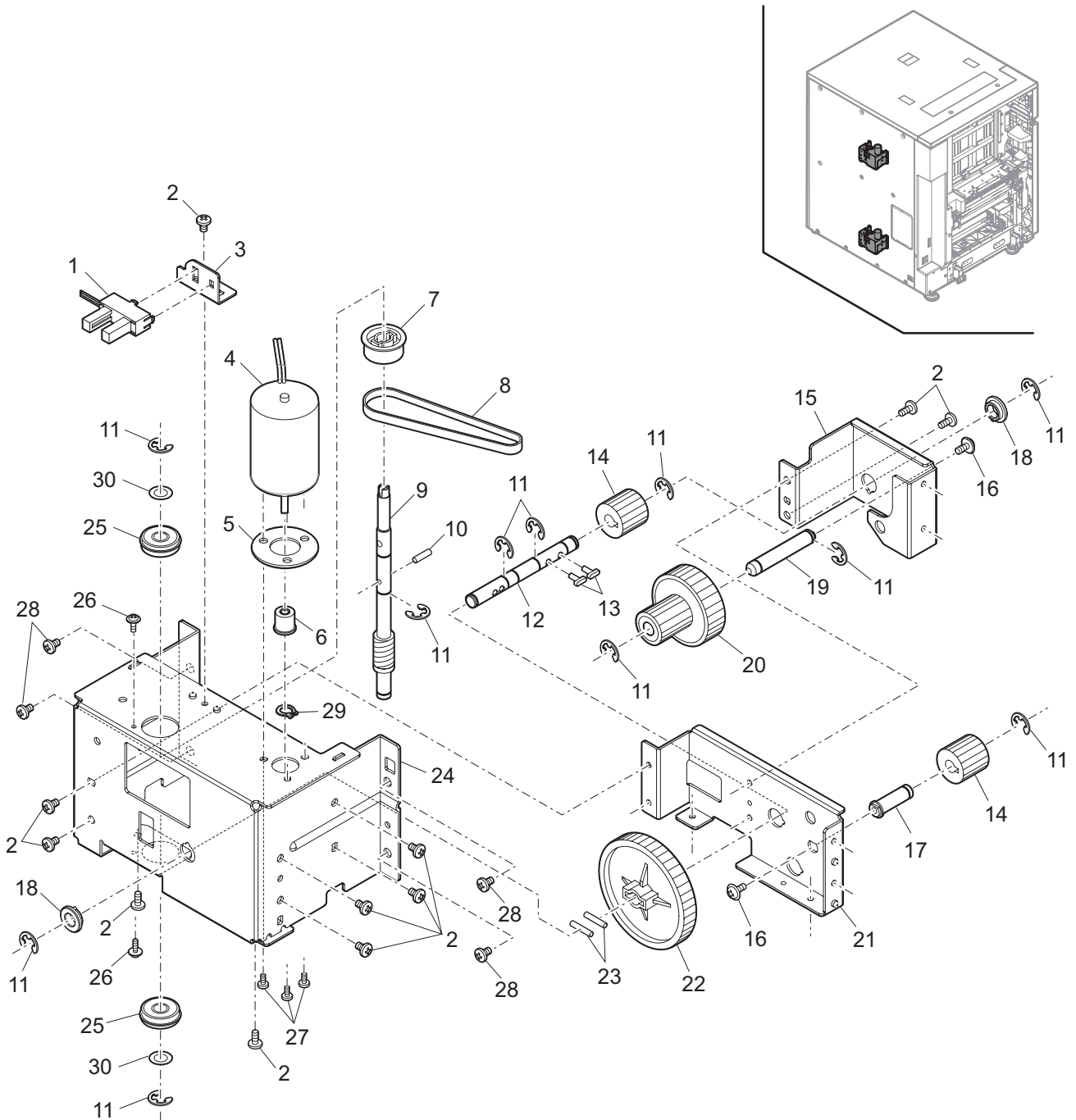


ITEM No.	PART No.	PART NAME	Q'TY / PAGE	Q'TY / PACK	REMARKS
1	6LS03311000	LCT cassette rear harness			
2	6LS04051000	Cassette rear reinforce plate 2500			
3	6LS04305000	Screw			
4	6LS06048000	Micro switch			
5	6LS06222000	Screw			
6	6LS04412000	Reverse winding detect arm			
7	6LS04312000	Screw			
8	6LS03788000	Reverse winding detect fixing plate			
9	6LS04057000	Size sensor fixing plate 2500			
10	6LS05290000	CS detect shaft			
11	6LS04595000	CS detect spring			
12	6LS01814000	S tray reverse collar			
13	6LA58926000	E-ring			
14	6LS06168000	Photo sensor			
15	6LS03791000	Lower limit sensor fixing plate			
16	6LS06170000	Transport sensor			
17	6LA58928000	E-ring			
18	6LS01817000	Gear 78			
19	6LA58793700	SCREW M4X10			
20	6LS03537000	Cassette brake frame 2 A3			
21	6LS04785000	Bearing			
22	6LS04920000	Cassette brake gear			
23	6LA58794800	SCREW M4X16			
24	6LS05130000	Cassette brake shaft 2			
25	6LS03726000	Pin			
26	6LS05472000	Brake cover			
27	6LS03536000	Cassette brake frame 1 A3			
28	6LA58792000	Screw M3X4			
29	6LS03069000	Brake plate ass'y			
30	6LS06202000	Screw			
31	6LS04887000	Gear 12T			
32	6LS05923000	Centrifugal brake pad			
34	6LA58923000	E-ring			
35	6LS04667000	Centrifugal spring			
36	6LS02990000	Centrifugal fixing plate ass'y			
37	6LS03751000	Centrifugal plate			
39	6LS04374000	Screw			
40	6LS06248000	Washer			
41	6LS06179000	Screw			
42	6LS04058000	Brake fixing plate			
43	6LS06227000	Screw			
44	6LS04301000	Screw			

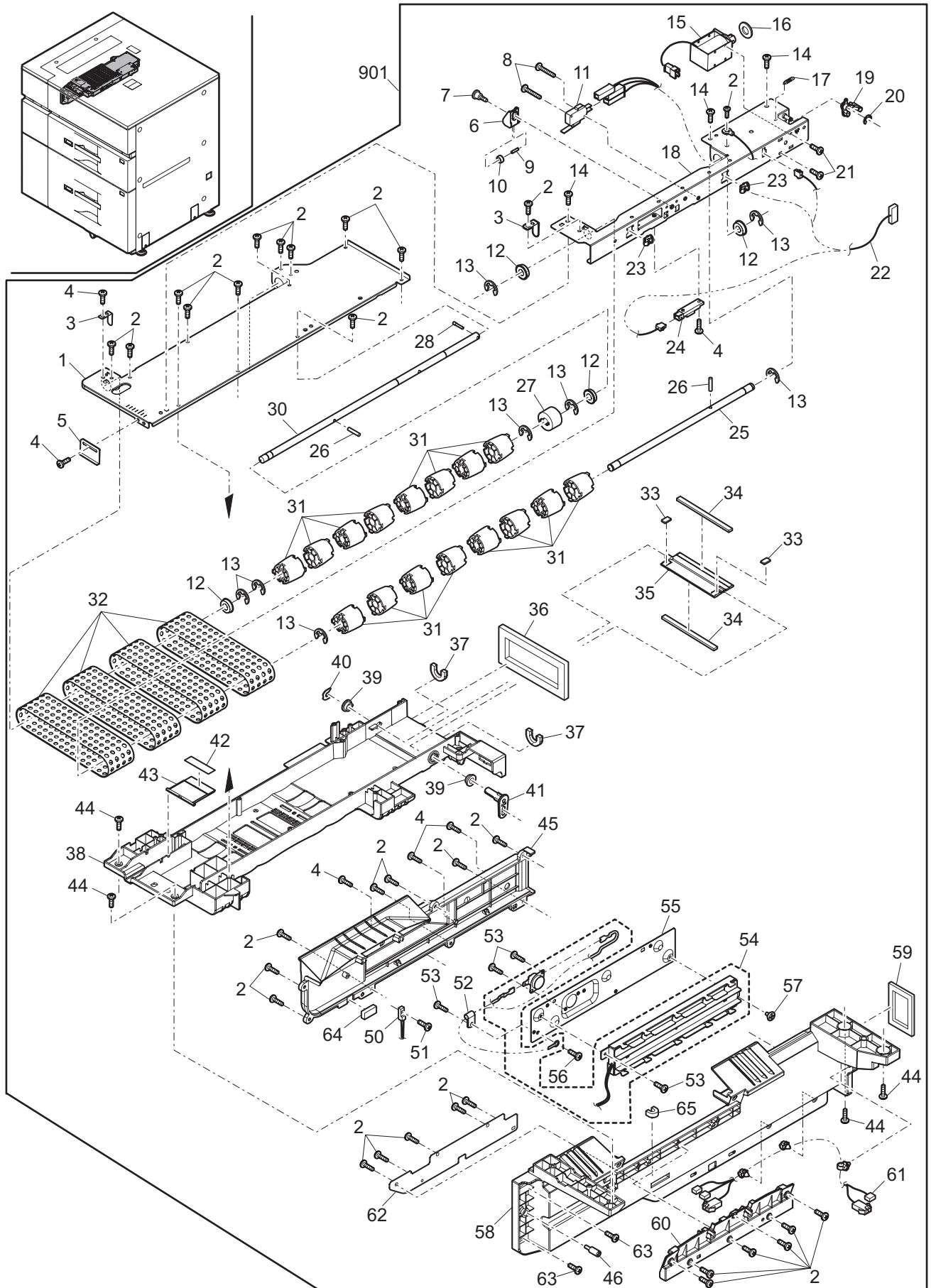


ITEM No.	PART No.	PART NAME	Q'TY / PAGE	Q'TY / PACK	REMARKS
1	6LS05977000	Delivery lock pawl			
2	6LA58792800	Screw M3X8			
3	6LS06242000	E ring			
4	6LS04790000	Bearing			
5	6LA58794800	SCREW M4X16			
6	6LS03794000	Handle sensor fixing plate			
7	6LS06168000	Photo sensor			
8	6LS03309000	LCT cassette front harness			
9	6LS04054000	Cassette lock fixing plate 2500			
10	6LS05658000	Handle stopper rubber A3			
11	6LS01806000	Edge saddle			
12	6LS06092000	Keep solenoid			
13	6LS04326000	Screw			
14	6LS04414000	Lock pawl link arm			
15	6LS04611000	Lock pawl link arm spring			
16	6LS06240000	E ring			
17	6LS03790000	Lock tension plate			
18	6LS05286000	E lock release shaft 2500			
19	6LS01834000	Delivery holder shaft			
20	6LS05285000	Cassette lock shaft 2500			
21	6LS04675000	Lock spring			
22	6LA58923000	E-ring			

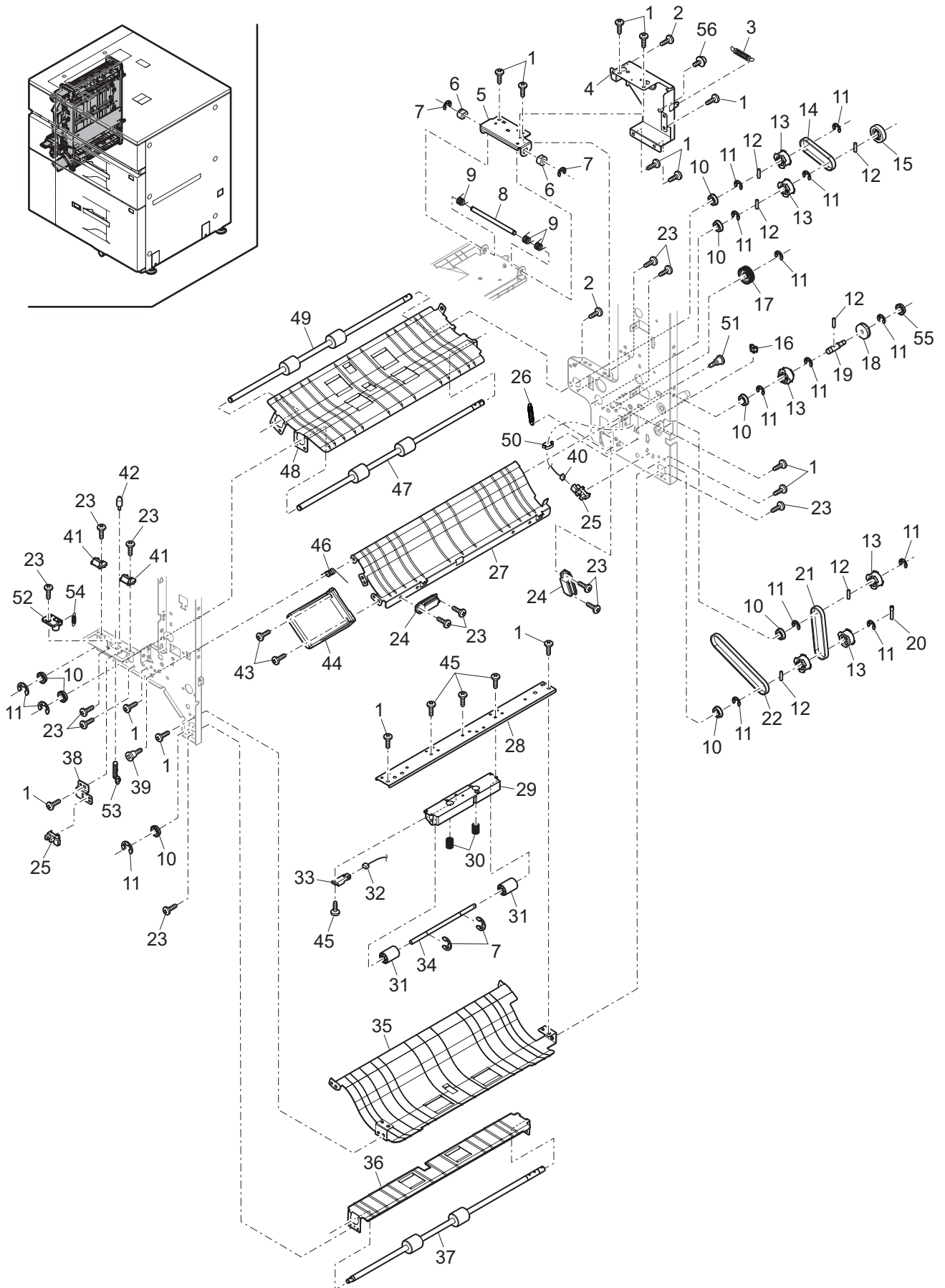




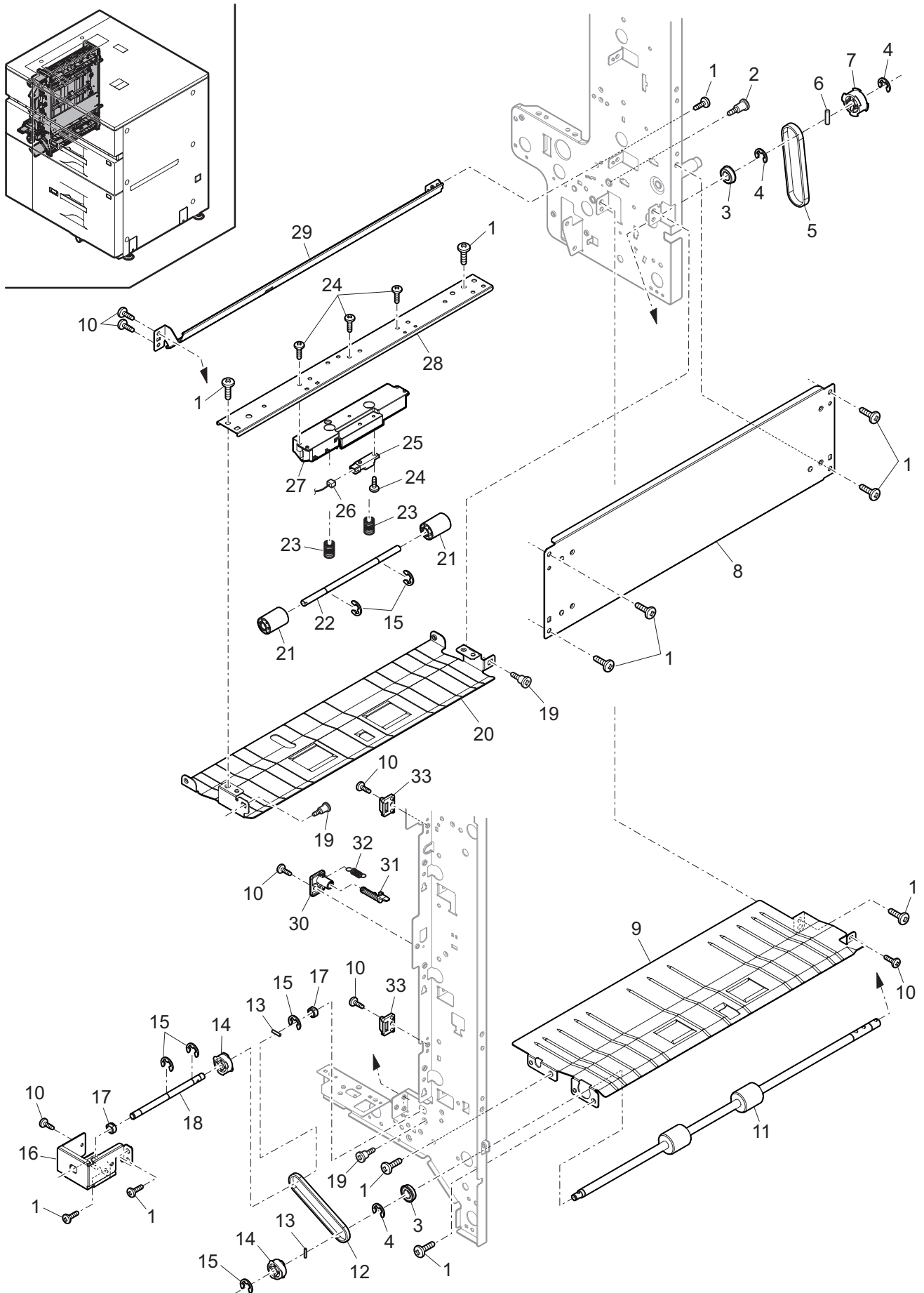
ITEM No.	PART No.	PART NAME	Q'TY / PAGE	Q'TY / PACK	REMARKS
1	6LS01823000	Photo sensor			
2	6LS06226000	Screw			
3	6LS03814000	Encoder plate			
4	6LS06090000	Lift motor			
5	6LS05659000	Motor vibration isolation rubber A3			
6	6LS05012000	Pulley			
7	6LS05013000	Pulley			
8	6LS04741000	Belt			
9	6LS04988000	Worm gear 3000N			
10	6LS03726000	Pin			
11	6LA58928000	E-ring			
12	6LS05129000	Worm wheel shaft A3			
13	6LS03733000	T type pin			
14	6LS04890000	Gear 20T			
15	6LS03801000	Lift reinforce plate			
16	6LS04374000	Screw			
17	6LS05139000	Lift idle shaft B			
18	6LS04785000	Bearing			
19	6LS05138000	Lift idle shaft A			
20	6LS04924000	Gear			
21	6LS03797000	Lift drive plate			
22	6LS04888000	Worm wheel gear 86T			
23	6LS03730000	Pin			
24	6LS03495000	Lift drive base A3			
25	6LS04829000	Bearing			
26	6LA58851000	Screw			
27	6LS06186000	Screw			
28	6LS04305000	Screw			
29	6LS05764000	G4 ring			
30	6LS04261000	Washer			



ITEM No.	PART No.	PART NAME	Q'TY / PAGE	Q'TY / PACK	REMARKS
1	6LS04039000	Absorb duct reinforce plate			
2	6LA58793400	Screw M3X12			
3	6LS06033000	Paper feed earth plate			
4	6LA58794500	Screw M3X8			
5	6LS04040000	Main duct adjust plate			
6	6LS04502000	Upper limit actuator			
7	6LS04343000	Step screw			
8	6LS06222000	Screw			
9	6LS03727000	Pin			
10	6LS05370000	MF cam collar			
11	6LS06048000	Micro switch			
12	6LS04830000	Ball bearing			
13	6LA58928000	E-ring			
14	6LA58794800	SCREW M4X16			
15	6LS06093000	Absorb solenoid			
16	6LS05741000	Solenoid noise reduction cushion			
17	6LS04716000	Absorb solenoid return spring			
18	6LS03075000	SW fixing plate AS			
19	6LS04440000	Valve link arm			
20	6LA58923000	E-ring			
21	6LA58792000	Screw M3X4			
22	6LS03303000	LCT paper feed unit harness			
23	6LS01806000	Edge saddle			
24	6LS06162000	Sensor			
25	6LS05281000	Paper feed belt sub shaft			
26	6LS03734000	SP pin			
27	6LS05347000	SB torque limiter			
28	6LS04334000	Drive joint stopper screw			
30	6LS05280000	Paper feed belt drive shaft			
31	6LS05047000	Belt drive roller			
32	6LS04764000	Paper feed belt			
34	6LS05738000	Absorb valve cushion			
35	6LS05996000	Absorb valve			
36	6LS05739000	Absorb duct cushion			
37	6LS05740000	Fulcrum boss cushion			
38	6LS05634000	Absorb duct upper PG			
39	6LS04781000	Bearing			
40	6LS01830000	E4 type ring			
41	6LS04439000	Valve movable arm			
42	6LS05957000	Relief valve sheet			
43	6LS05997000	Relief valve			
44	6LA58793700	SCREW M4X10			
45	6LS05467000	Blow off duct cover			
46	6LS04370000	Tandem support step screw			
50	6LS06057000	Temperature sensor			
51	6LA58793200	Screw M3X8			
52	6LS03598000	Clamp			
53	6LA58794400	Screw M3X6			
54 A	6LS06064000	Paper feed warm blow heater 120			
54 B	6LS06065000	Paper feed warm blow heater 230			
55	6LS04086000	Paper feed heater fixing plate			
56	6LS06192000	Screw			
57	6LS04266000	DV guide screw			
58	6LS05635000	Blow off duct lower PG			
59	6LS05742000	Blow off duct cushion			
60	6LS04147000	Blow out nozzle plate			
61	6LS03304000	LCT paper feed warm air heater harness			
62	6LS05958000	Harness protect sheet			
63	6LS06227000	Screw			
64	6LS05748000	Harness cover cushion S			
65	6LS05747000	Harness cover cushion L			
901	6LS01840000	Air paper feed UN			

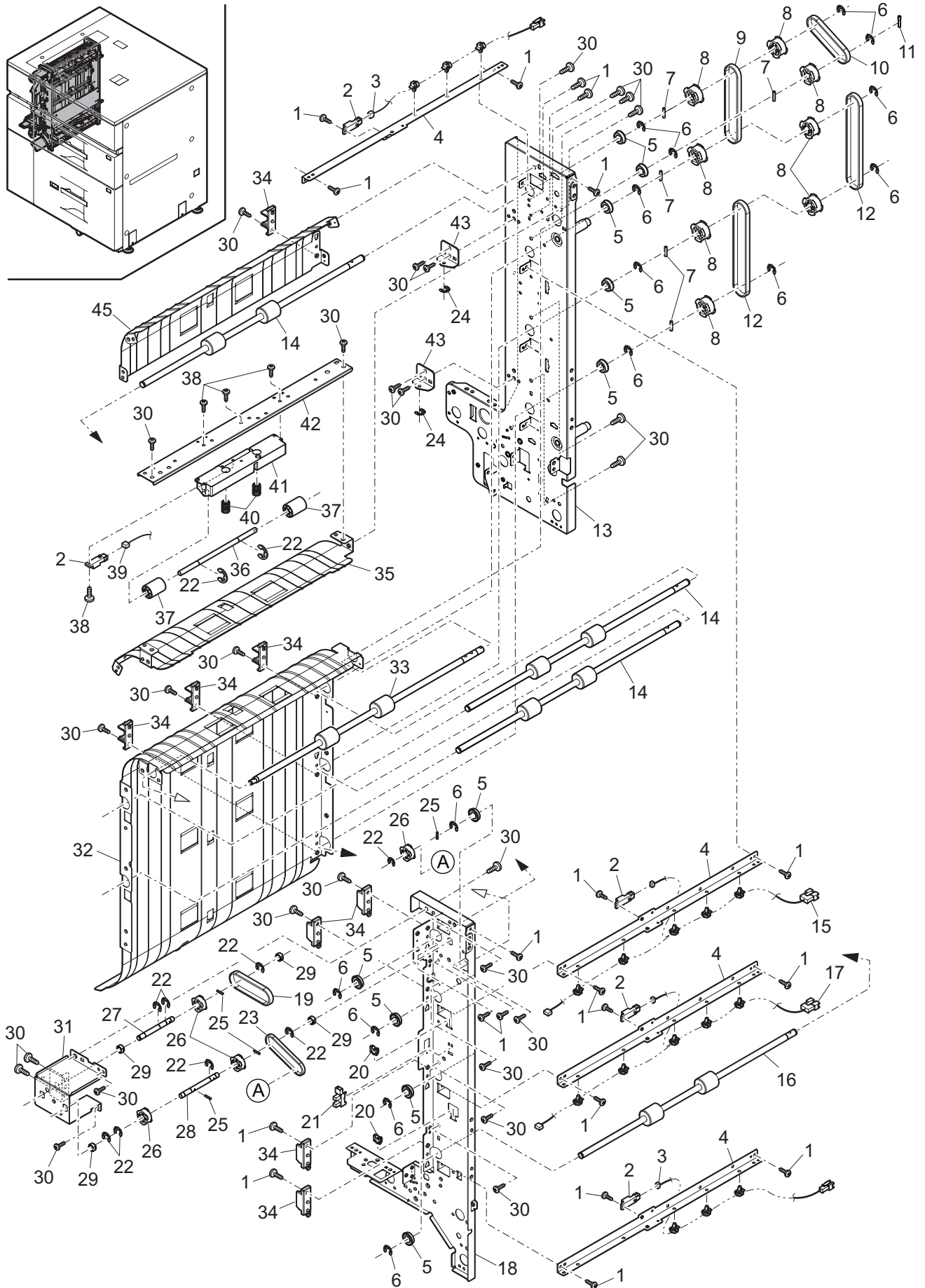


ITEM No.	PART No.	PART NAME	Q'TY / PAGE	Q'TY / PACK	REMARKS
1	6LA58794800	SCREW M4X16			
2	6LS04305000	Screw			
3	6LS04675000	Lock spring			
4	6LS04073000	Rotation PG fulcrum reinforce plate			
5	6LS04072000	Rotation PG fulcrum plate			
6	6LS04795000	Bearing			
7	6LA58926000	E-ring			
8	6LS05295000	Rotation PG fulcrum shaft			
9	6LS04648000	Rotation PG spring			
10	6LS04840000	Ball bearing			
11	6LA58928000	E-ring			
12	6LS03732000	SP pin			
13	6LS05001000	Pulley			
14	6LS04770000	Belt			
15	6LS04928000	Gear CD			
16	6LS01806000	Edge saddle			
17	6LS02960000	DV idle gear 24T			
18	6LS04906000	One way gear			
19	6LS05297000	Idle gear pulley shaft			
20	6LS04334000	Drive joint stopper screw			
21	6LS04766000	Belt			
22	6LS04733000	Belt			
23	6LA58794500	Screw M3X8			
24	6LS05664000	Magnet catch			
25	6LS06168000	Photo sensor			
26	6LS04720000	JAM release PG spring			
27	6LS05563000	2CS open/close PG			
28	6LS04062000	Paper enter sub fixing plate			
29	6LS03712000	Sub roller holder			
30	6LS04596000	LCT Sub spring			
31	6LS05036000	Transport follower roller			
32	6LS03297000	LCT vertical paper feed harness			
33	6LS06164000	Sensor			
34	6LS05292000	Sub roller shaft			
35	6LS05560000	2CS PG upper			
36	6LS05561000	2CS PG lower			
37	6LS05083000	Transport roller 1			
38	6LS04082000	Vertical transport sensor fixing plate			
39	6LS04296000	Step screw			
40	6LS03302000	LCT vertical main harness			
41	6LS04142000	Open/close lock base			
42	6LS04300000	Body positioning step screw			
43	6LS06227000	Screw			
44	6LS03459000	2CS open/close PG handle			
45	6LA58793200	Screw M3X8			
46	6LS04645000	2CS open/close PG spring F			
47	6LS05086000	Transport roller 4			
48	6LS05562000	Delivery PG lower			
49	6LS05085000	Transport roller 3			
50	6LS03603000	Mini clamp			
51	6LS04278000	Screw			
52	6LS03713000	Actuator holder			
53	6LS04462000	Open/close detect actuator			
54	6LS04660000	ADU gate return spring			
55	6LS04836000	Bearing			
56	6LS04373000	Screw			

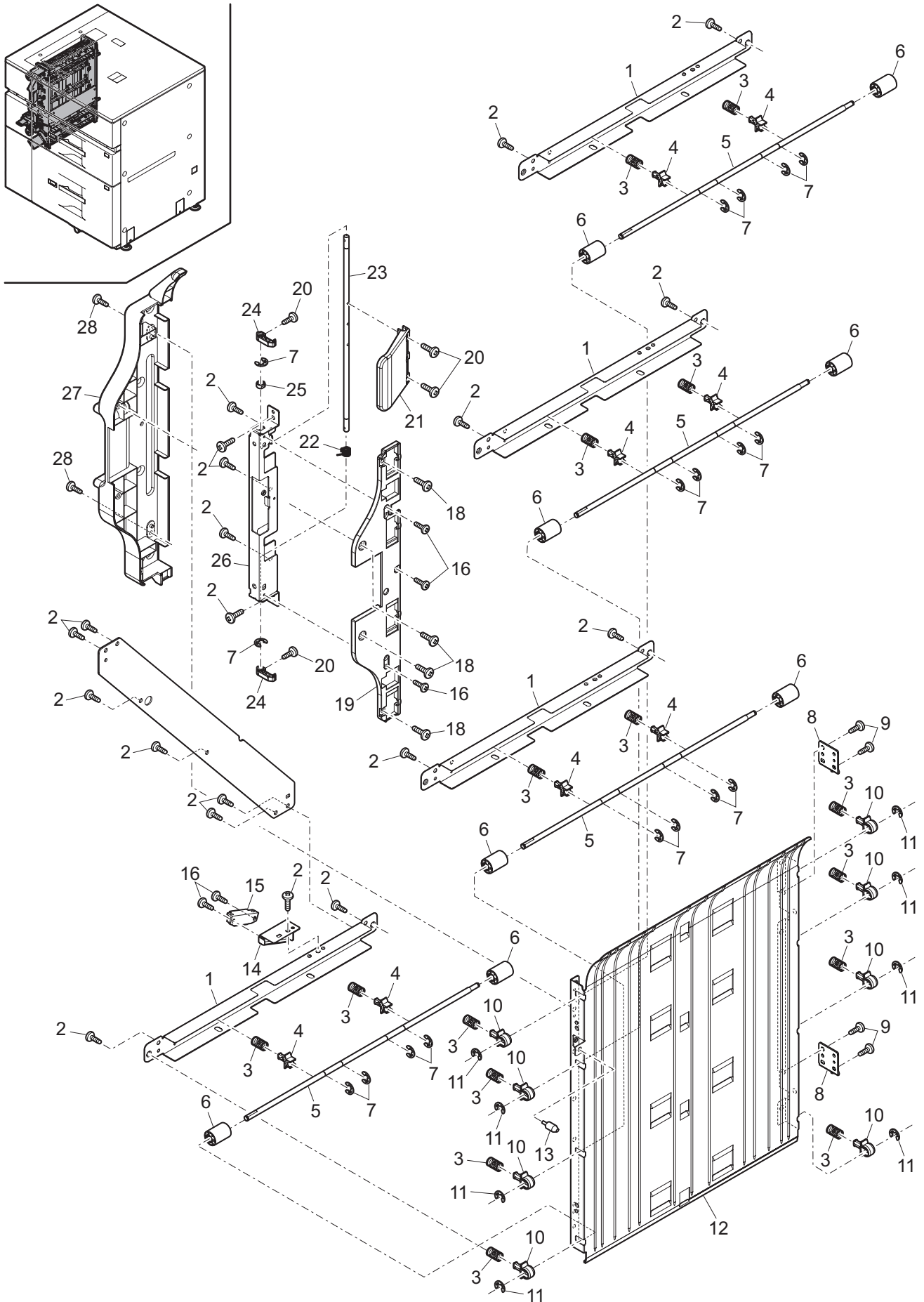


ITEM No.	PART No.	PART NAME	Q'TY / PAGE	Q'TY / PACK	REMARKS
1	6LA58794800	SCREW M4X16			
2	6LS04278000	Screw			
3	6LS04840000	Ball bearing			
4	6LA58928000	E-ring			
5	6LS04766000	Belt			
6	6LS03732000	SP pin			
7	6LS05001000	Pulley			
8	6LS04067000	Vertical transport unit fixing plate			
9	6LS05559000	Horizontal left PG lower			
10	6LA58794500	Screw M3X8			
11	6LS05083000	Transport roller 1			
12	6LS04769000	Belt			
13	6LS03737000	SP Pin			
14	6LS05006000	Pulley			
15	6LA58926000	E-ring			
16	6LS04069000	JAM release fixing plate lower			
17	6LS04795000	Bearing			
18	6LS05294000	JAM release shaft			
19	6LS04296000	Step screw			
20	6LS05558000	Horizontal left PG upper			
21	6LS05036000	Transport follower roller			
22	6LS05292000	Sub roller shaft			
23	6LS04596000	LCT Sub spring			
24	6LA58793200	Screw M3X8			
25	6LS06164000	Sensor			
26	6LS03298000	LCT vertical horizontal left harness			
27	6LS03712000	Sub roller holder			
28	6LS04062000	Paper enter sub fixing plate			
29	6LS05565000	Vertical transport lower PG			
30	6LS03713000	Actuator holder			
31	6LS04462000	Open/close detect actuator			
32	6LS04660000	ADU gate return spring			
33	6LS04142000	Open/close lock base			

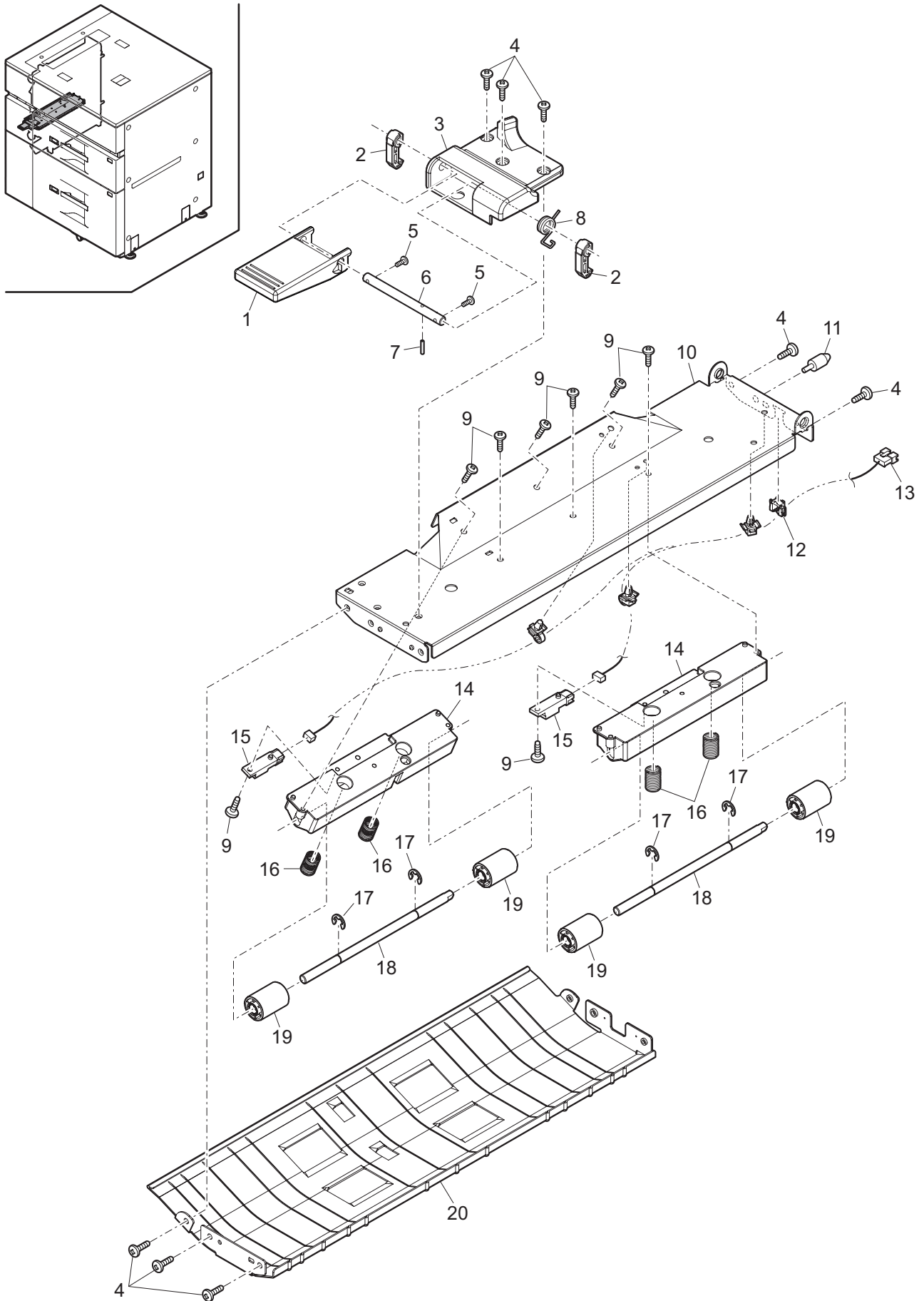




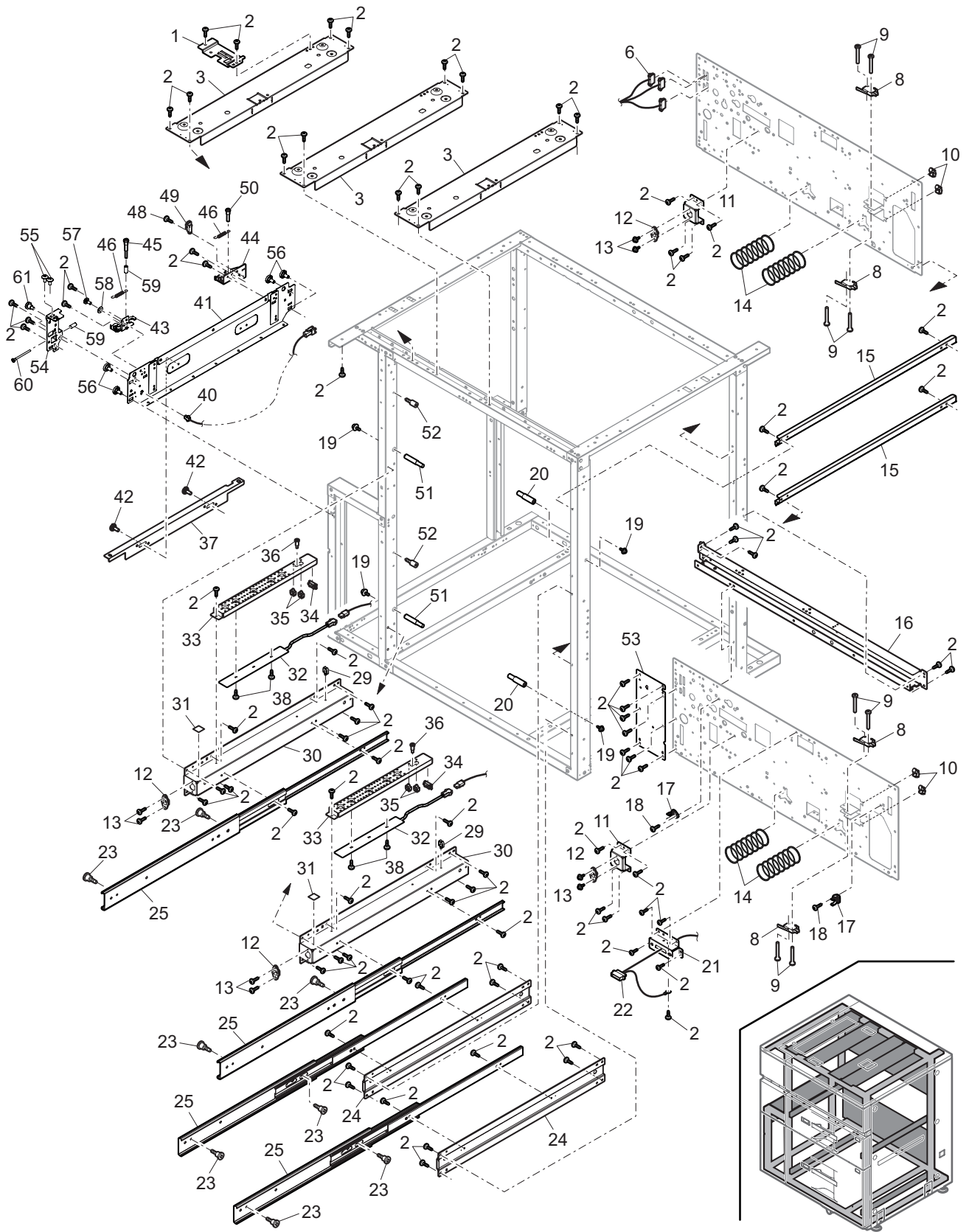
ITEM No.	PART No.	PART NAME	Q'TY / PAGE	Q'TY / PACK	REMARKS
1	6LA58794500	Screw M3X8			
2	6LS06164000	Sensor			
3	6LS03299000	LCT vertical transport harness			
4	6LS04065000	Sensor fixing plate			
5	6LS04840000	Ball bearing			
6	6LA58928000	E-ring			
7	6LS03732000	SP pin			
8	6LS05001000	Pulley			
9	6LS04767000	Belt			
10	6LS04765000	Belt			
11	6LS04334000	Drive joint stopper screw			
12	6LS04768000	Belt			
13	6LS02955000	Vertical transport drive frame AS			
14	6LS05084000	Transport roller 2			
15	6LS03300000	LCT open/close sensor harness			
16	6LS05085000	Transport roller 3			
17	6LS03301000	LCT vertical front harness			
18	6LS03589000	Vertical transport frame F			
19	6LS04775000	Belt			
20	6LS01806000	Edge saddle			
21	6LS06168000	Photo sensor			
22	6LA58926000	E-ring			
23	6LS04774000	Belt			
24	6LA58923000	E-ring			
25	6LS03737000	SP Pin			
26	6LS05006000	Pulley			
27	6LS05305000	JAM release shaft upper			
28	6LS05306000	JAM release idle shaft			
29	6LS04795000	Bearing			
30	6LA58794800	SCREW M4X16			
31	6LS04068000	JAM release fixing plate upper			
32	6LS05556000	Vertical transport PG			
33	6LS05083000	Transport roller 1			
34	6LS03687000	LCC follower roller bearing holder			
35	6LS05557000	1CS PG upper			
36	6LS05292000	Sub roller shaft			
37	6LS05036000	Transport follower roller			
38	6LA58793200	Screw M3X8			
39	6LS03297000	LCT vertical paper feed harness			
40	6LS04596000	LCT Sub spring			
41	6LS03712000	Sub roller holder			
42	6LS04062000	Paper enter sub fixing plate			
43	6LS04066000	Open/close fulcrum plate			
45	6LS05555000	Manual feed PG lower			





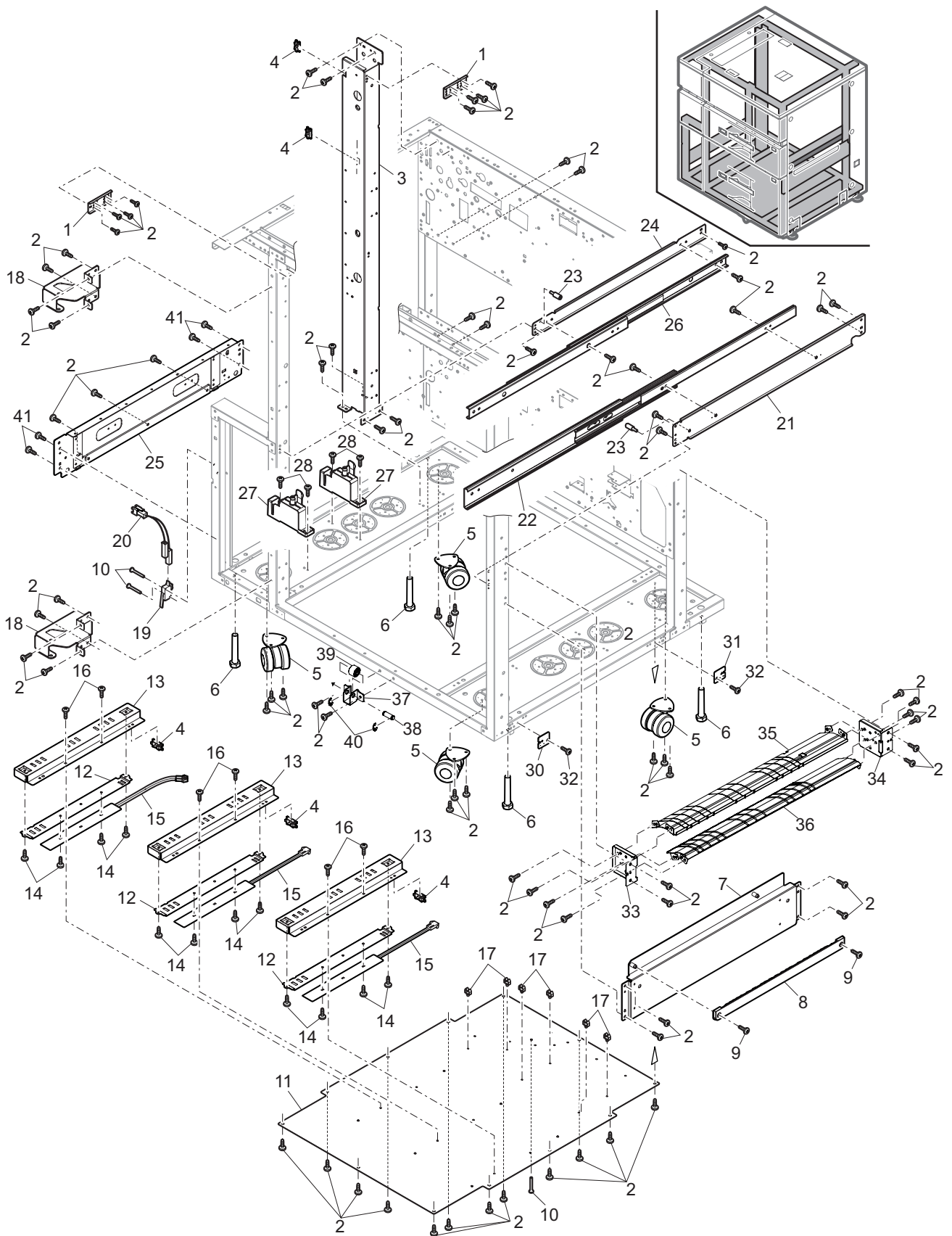




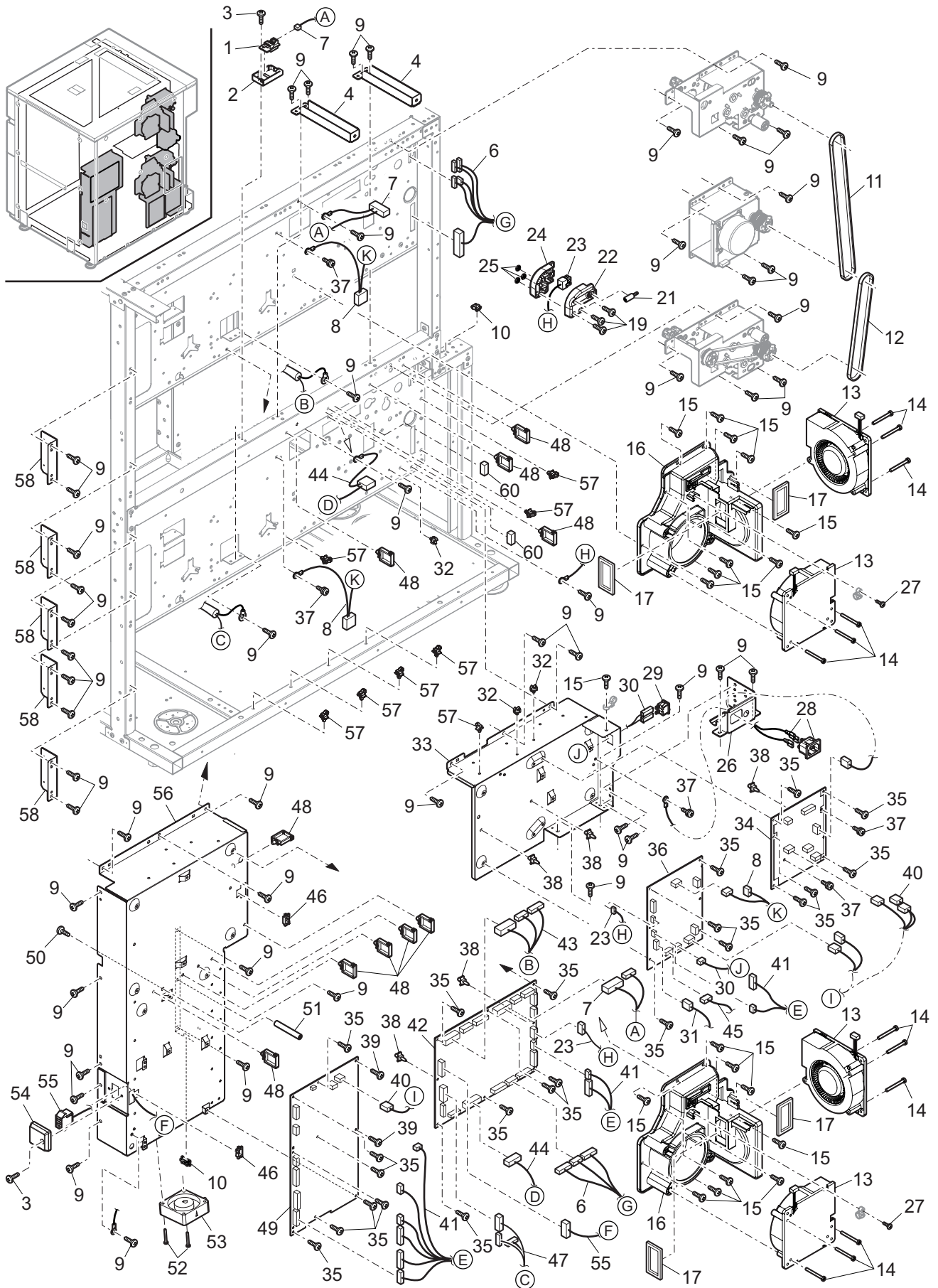


ITEM No.	PART No.	PART NAME	Q'TY / PAGE	Q'TY / PACK	REMARKS
1	6LS04032000	Manual paper feed CN fixing plate			
2	6LA58794800	SCREW M4X16			
3	6LS04242000	LCT top stay			
6	6LS03282000	LCT manual paper feed harness			
8	6LS06043000	Micro switch			
9	6LS06222000	Screw			
10	6LS01806000	Edge saddle			
11	6LS04030000	LCT cassette positioning plate			
12	6LS03640000	Holder C			
13	6LA58852000	Screw			
14	6LS04594000	Cassette tension spring			
15	6LS04985000	LCT brake rack gear			
16	6LS04023000	LCT rear frame reinforce plate			
17	6LS04513000	Cassette lock			
18	6LS06227000	Screw			
19	6LS04374000	Screw			
20	6LS05279000	LCT cassette lock shaft R			
21	6LS04076000	Drawer positioning plate			
22	6LS03295000	LCT horizontal relay harness			
23	6LS04343000	Step screw			
24	6LS04022000	LCT rail fixing plate R			
25	6LS04521000	Cassette slide rail L			
29	6LS01820000	Mini clamp			
30	6LS04021000	LCT rail fixing plate L			
31	6LS06120000	High temperature mark label			
32	6LS06062000	Heater			
33	6LS04036000	LCT warm heater fixing plate			
34	6LS03615000	Edge wire saddle			
35	6LS03603000	Mini clamp			
36	6LS04278000	Screw			
37	6LS01828000	Lock release joint plate			
38	6LS06219000	Screw			
40	6LS03284000	LCT front door interface harness			
41	6LS04026000	LCT joint unit fixing plate			
42	6LS04262000	Step screw			
43	6LS03007000	Lock fixing F A3 AS LCT			
44	6LS01804000	Lock fixing plate R ass'y			
45	6LS04322000	Lock release step screw			
46	6LS04668000	Lock release plate spring			
48	6LA58792000	Screw M3X4			
49	6LS06159000	Photo sensor			
50	6LS01811000	Lock release step screw			
51	6LS05278000	LCT cassette lock shaft L			
52	6LS04370000	Tandem support step screw			
53	6LS04029000	LCT relay CN fixing plate			
54	6LS04095000	Lock un adjustment plate			
55	6LS04309000	Screw			
56	6LS04293000	Step screw			
57	6LS04315000	Screw			
58	6LS06251000	Washer			
59	6LS03483000	Lock release cover			
61	6LS04288000	Step screw			

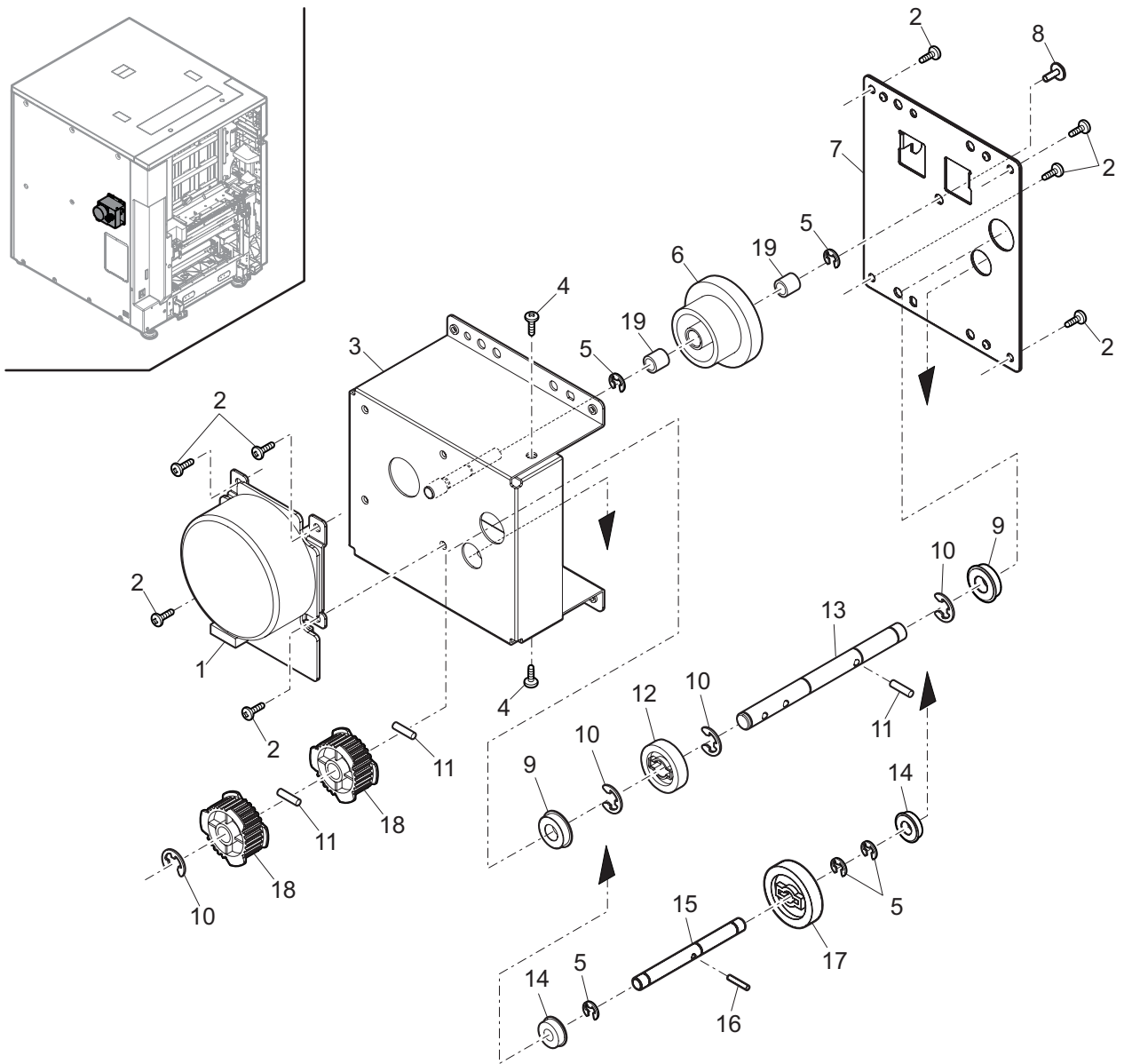




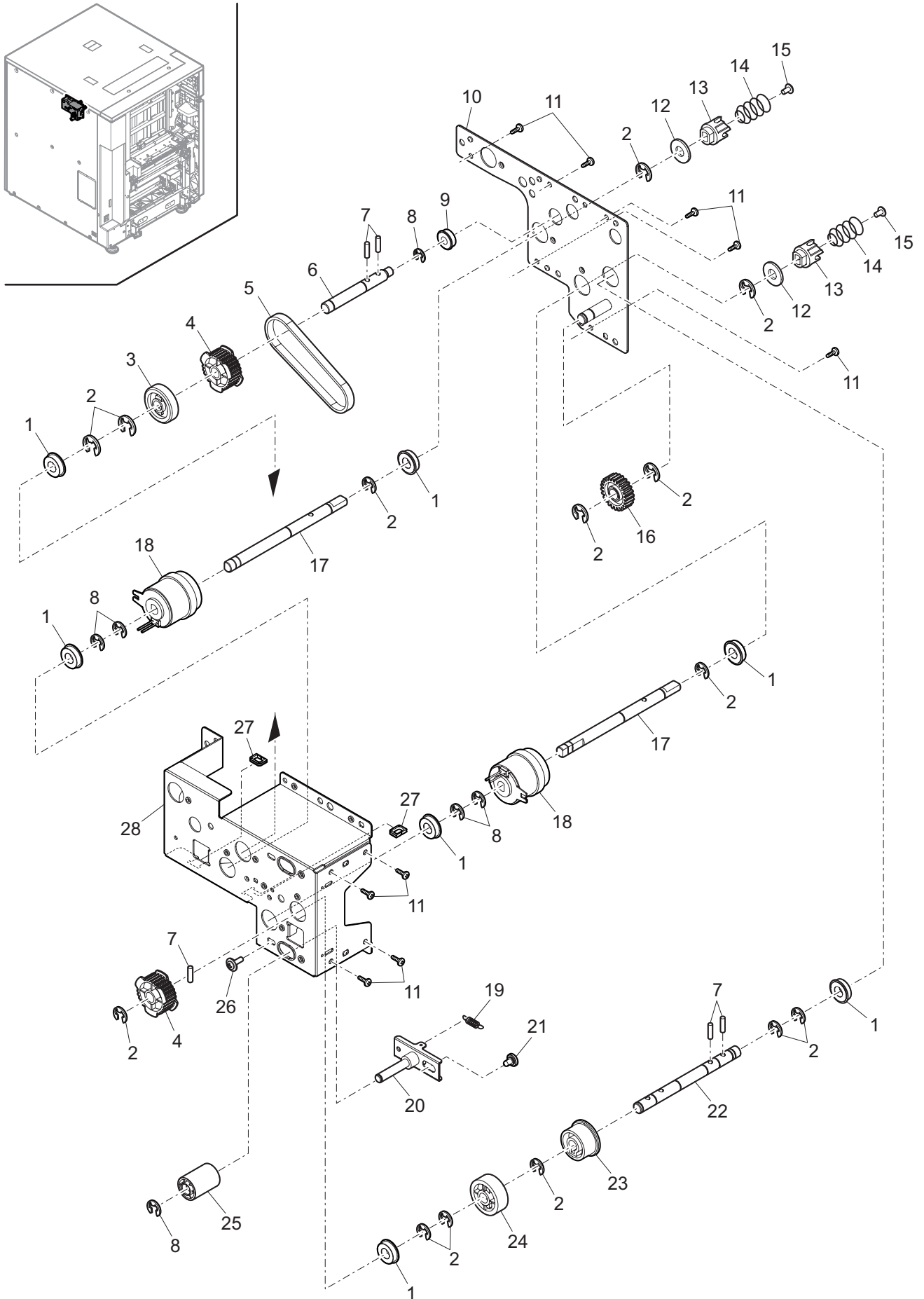
ITEM No.	PART No.	PART NAME	Q'TY / PAGE	Q'TY / PACK	REMARKS
1	6LS04085000	LCT vertical transport fixing plate			
2	6LA58794800	SCREW M4X16			
3	6LS04150000	LCT rear middle prop			
4	6LS03615000	Edge wire saddle			
5	6LS03447000	50 caster T			
6	6LS04365000	Adjust bolt			
7	6LS03149000	LCT right stay lower AS			
8	6LS03396000	LCT lower cabinet			
9	6LS06179000	Screw			
10	6LS06222000	Screw			
11	6LS04025000	LCT bottom plate			
12	6LS05759000	Heater radiation plate			
13	6LS03755000	Desk heater fixing plate			
14	6LS06219000	Screw			
15	6LS06063000	Warm heater			
16	6LA58794400	Screw M3X6			
17	6LS01820000	Mini clamp			
18	6LS04027000	LCT left door fulcrum fixing plate			
19	6LS06043000	Micro switch			
20	6LS03283000	LCT front door harness			
21	6LS04075000	Slide rail fixing plate R			
22	6LS04522000	Cassette slide rail R			
23	6LS04370000	Tandem support step screw			
24	6LS04074000	Slide rail fixing plate L			
25	6LS04026000	LCT joint unit fixing plate			
26	6LS04521000	Cassette slide rail L			
27	6LS03716000	Postcard regulate plate holder			
28	6LS06227000	Screw			
29	6LS03295000	LCT horizontal relay harness			
30	6LS04037000	Height adjust fixing plate F			
31	6LS04038000	Height adjust fixing plate R			
32	6LS04320000	Screw			
33	6LS03583000	Hhorizontal right transport frame F			
34	6LS03584000	Hhorizontal right transport frame R			
35	6LS05551000	Horizontal right PG upper			
36	6LS05552000	Horizontal right PG lower			
37	6LS04094000	2CS reinforce fulcrum plate			
38	6LS05311000	2CS reinforce fulcrum shaft			
39	6LS05037000	DSPF sub roller B			
40	6LA58928000	E-ring			
41	6LS04375000	Screw			



ITEM No.	PART No.	PART NAME	Q'TY / PAGE	Q'TY / PACK	REMARKS
1	6LS06056000	Temperature humidity sensor			
2	6LS04144000	LCT temperature humidity sensor fixing plate			
3	6LA58794500	Screw M3X8			
4	6LS04031000	LCT rear stay fixing plate			
6	6LS03287000	LCT main harness			
7	6LS03290000	LCT 1CS paper feed harness			
8	6LS03294000	LCT warm air heater harness 1			
9	6LA58794800	SCREW M4X16			
10	6LS01806000	Edge saddle			
11	6LS04771000	Belt			
12	6LS04772000	Belt			
13	6LS04875000	LCT fan motor			
14	6LS06217000	Screw			
15	6LS06227000	Screw			
16	6LS05501000	Paper feed main duct			
17	6LS05742000	Blow off duct cushion			
19	6LS01808000	Screw			
21	6LS01807000	Screw for EL Connector			
22	6LS01816000	Connector cover B			
23	6LS03285000	LCT Body joint harness			
24	6LS01815000	Connector cover A			
25	6LS01825000	Nut			
26	6LS04034000	LCT AC code fixing plate			
27	6LA58793300	Screw M3X10			
28	6LS03278000	LCT inlet harness			
29	6LS06042000	Heater switch			
30	6LS03280000	LCT WHSW harness			
31	6LS03292000	LCT warm heater harness 1			
32	6LS01820000	Mini clamp			
33	6LS04033000	LCT power supply PWB fixing plate			
34	6LS03095000	AC PWB unit			
35	6LA58794400	Screw M3X6			
36	6LS03344000	LCT AC relay PWB			
37	6LS06192000	Screw			
38	6LS04246000	PWB support			
39	6LA58792800	Screw M3X8			
40	6LS03279000	LCT AC-DC harness			
41	6LS03281000	LCT DC power supply harness			
42	6LS03343000	LCT main PWB			
43	6LS03288000	LCT cassette unit relay harness 1			
44	6LS03291000	LCT 2CS paper feed harness			
45	6LS03293000	LCT warm heater harness 2			
46	6LS03615000	Edge wire saddle			
47	6LS03289000	LCT cassette unit relay harness 2			
48	6LS03610000	Locking wire saddle			
49	6LS06051000	Power supply unit			
50	6LA58851000	Screw			
51	6LS05304000	LCT rear cabinet support shaft			
52	6LS06223000	Screw			
53	6LS04873000	Power supply cooling fan 2			
54	6LS05507000	Connector cover B			
55	6LS03286000	LCT 2 continuous joint harness			
56	6LS04035000	LCT main PWB fixing plate			
57	6LS03605000	Wire saddle			
58	6LS04024000	LCT right rear prop reinforce plate			
59	6LS05959000	Main duct sheet			





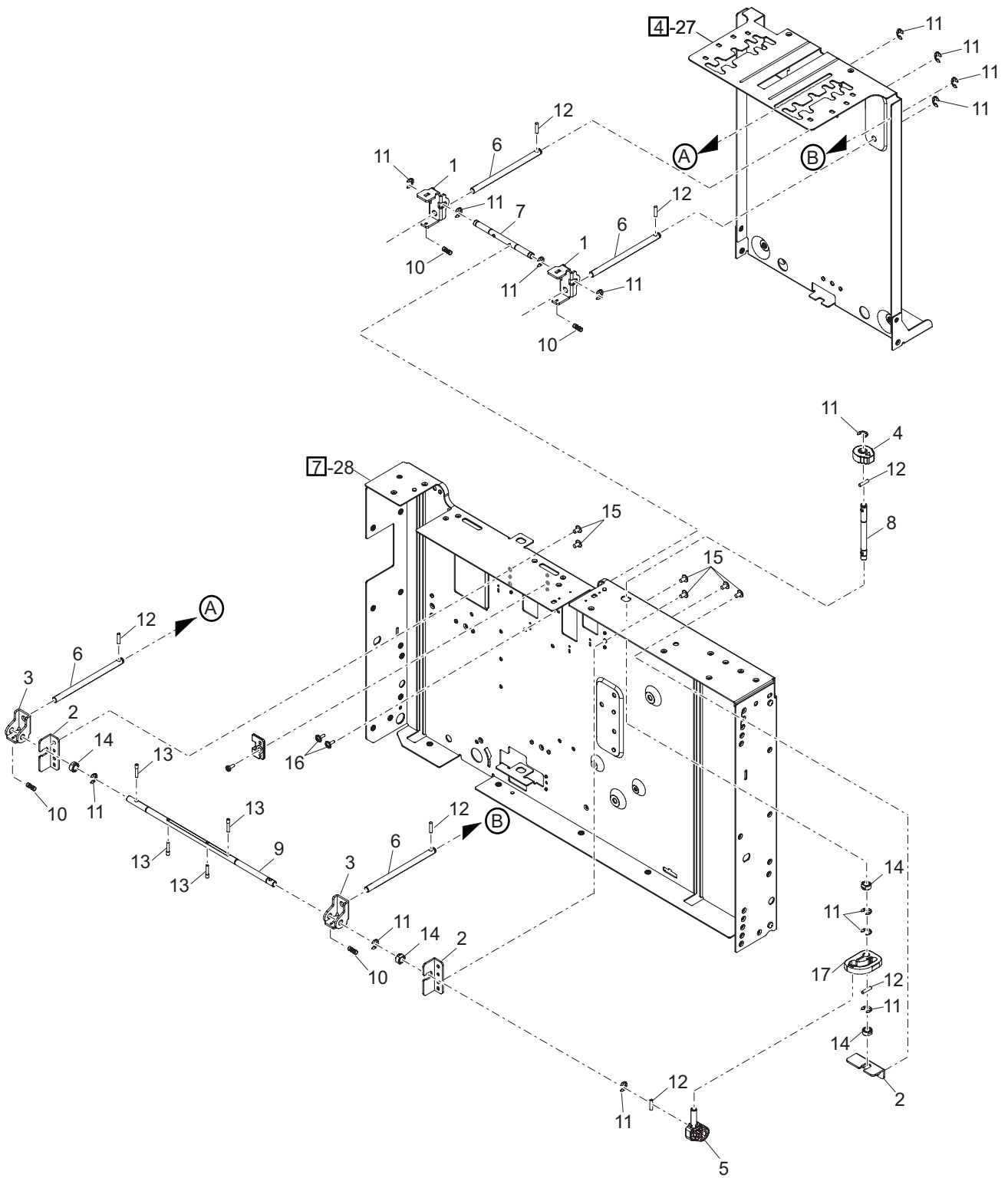




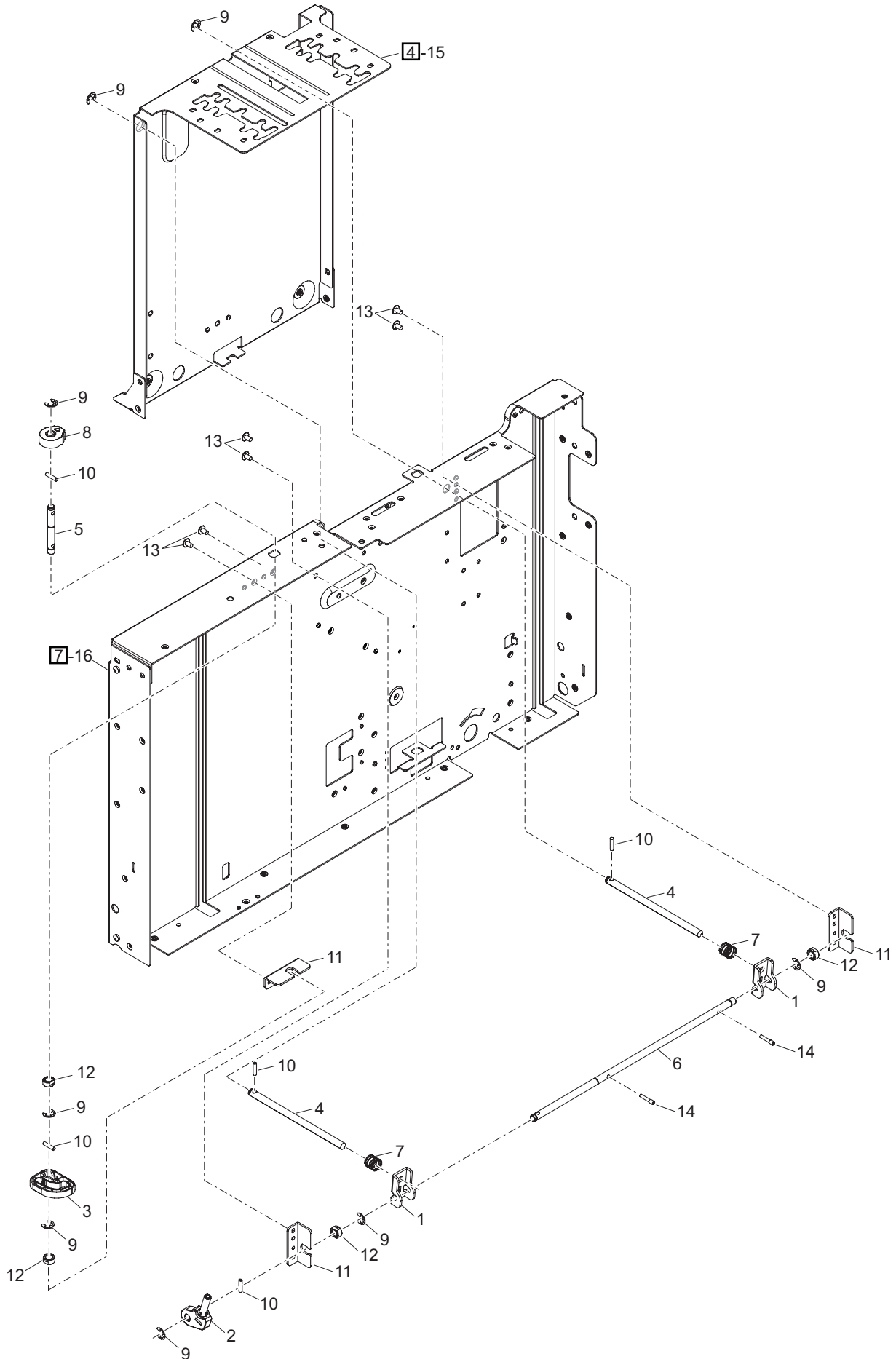




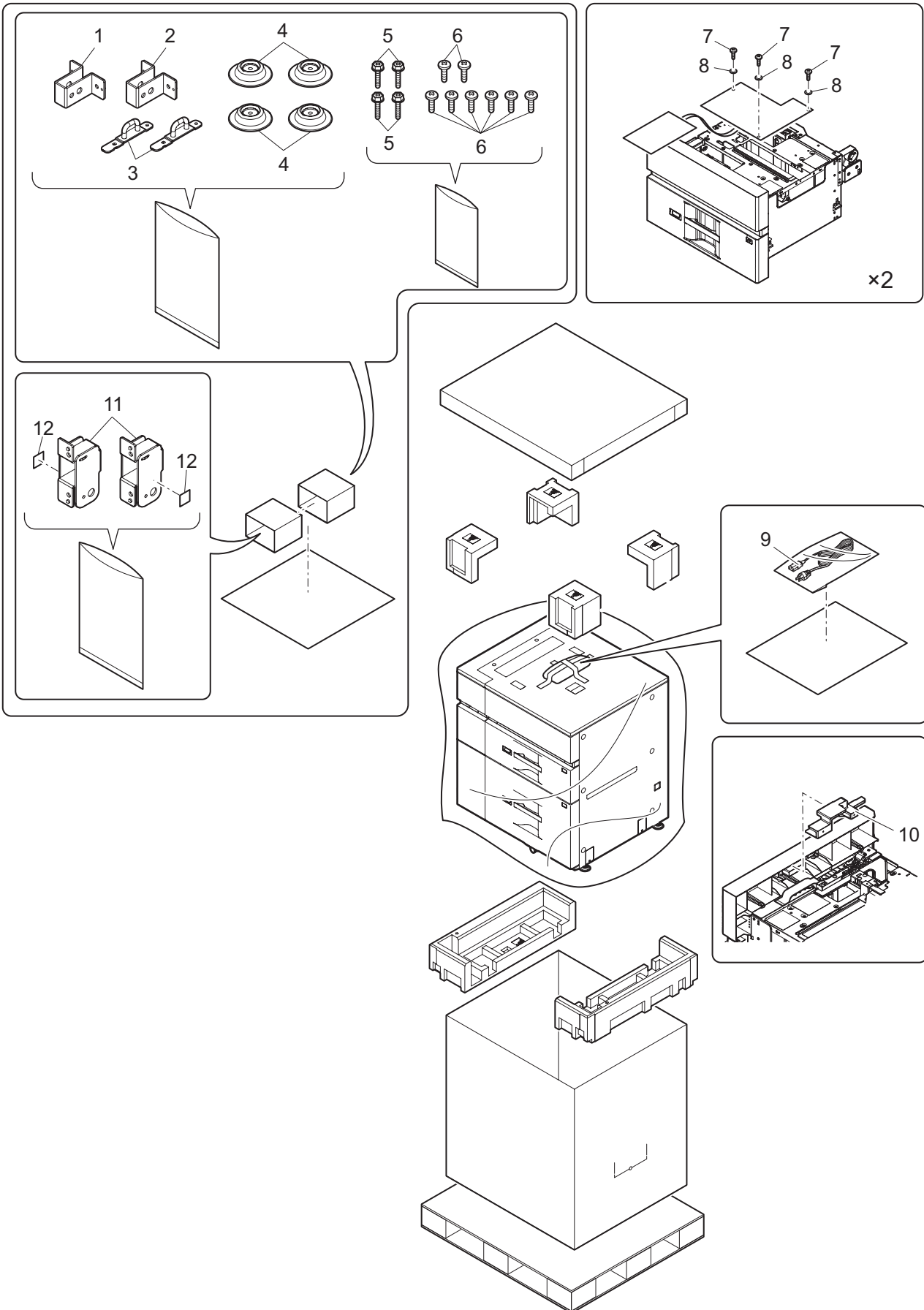


















**TOSHIBA**

**TOSHIBA TEC CORPORATION**

1-11-1, OSAKI, SHINAGAWA-KU, TOKYO, 141-8562, JAPAN