

TOSHIBA

SERVICE PARTS LIST

Large Capacity Tray

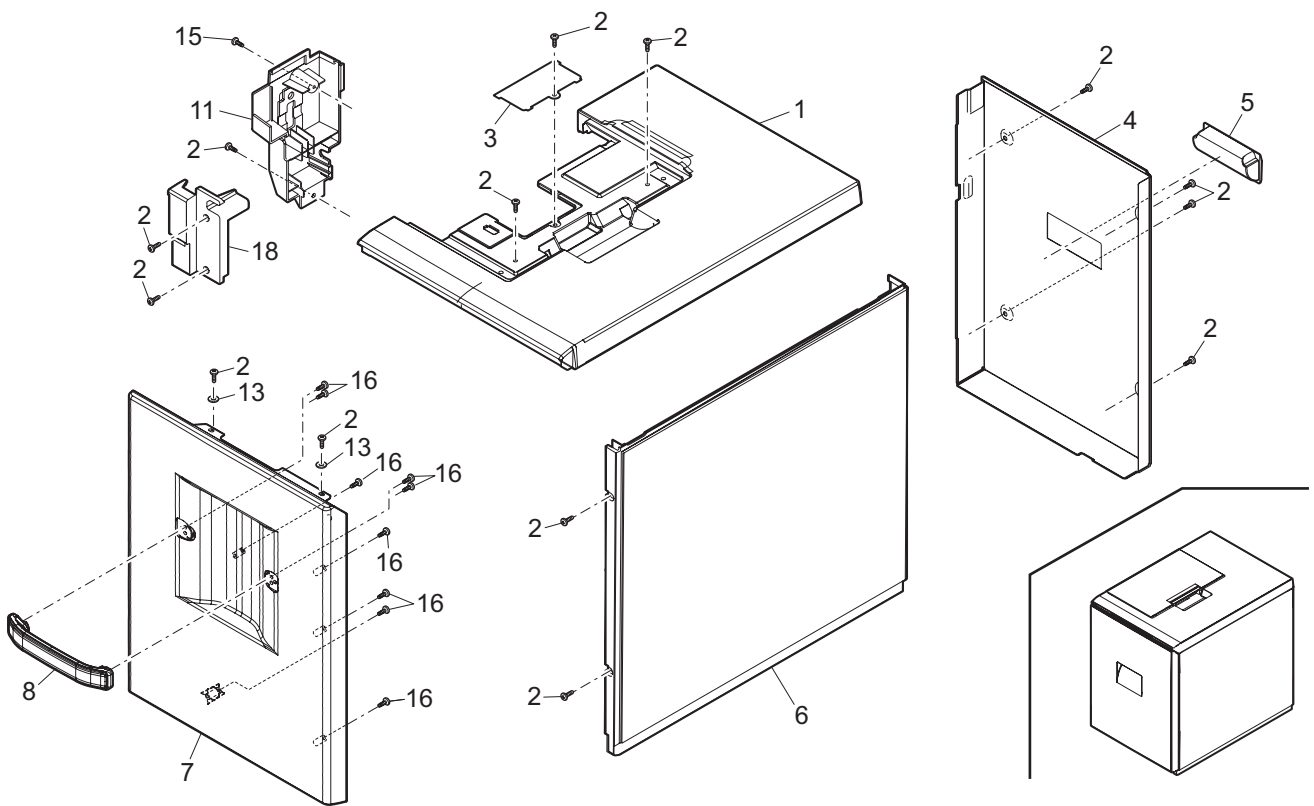
MX-LC12

© 2014 TOSHIBA TEC CORPORATION All rights reserved

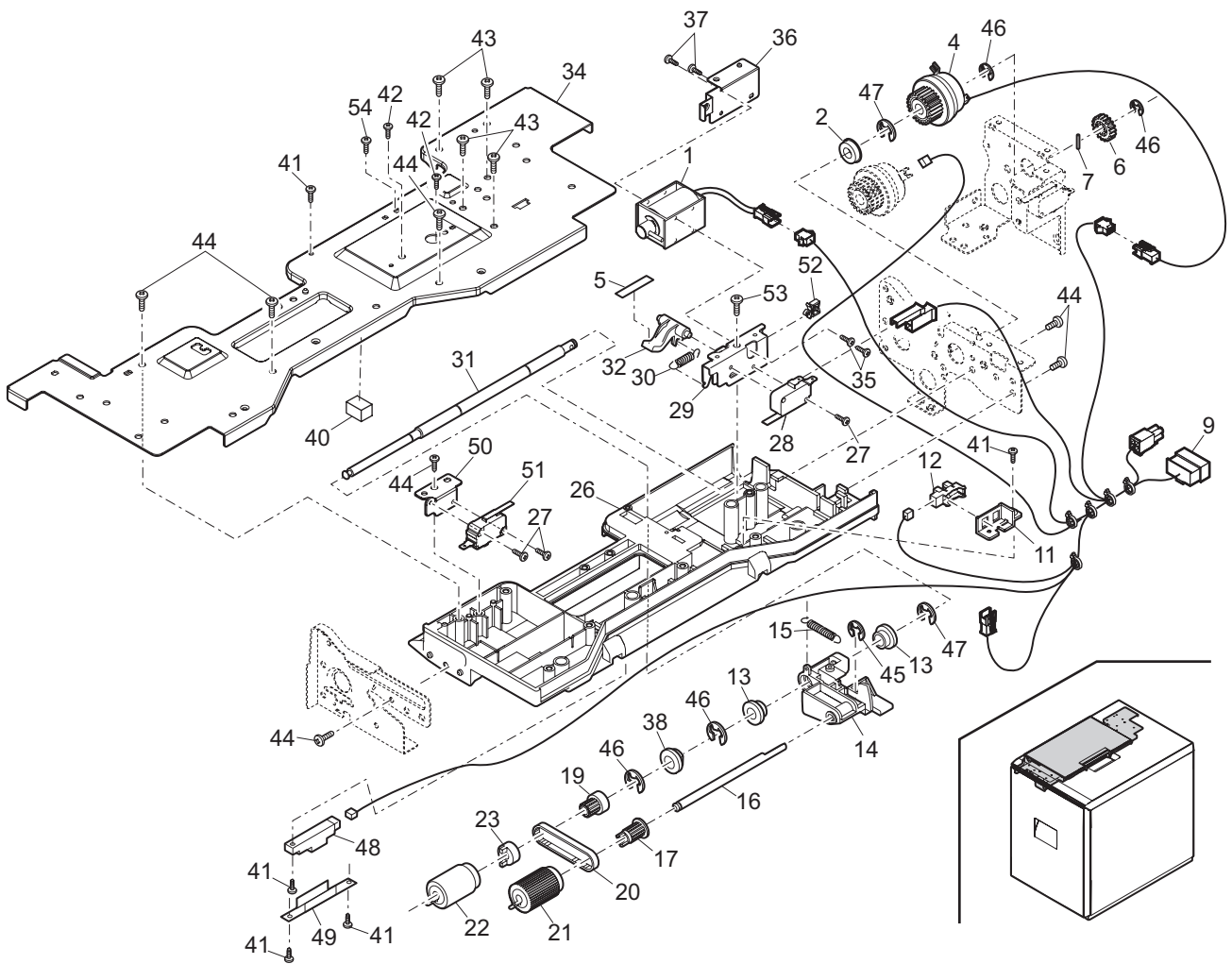
Under the copyright laws, this manual cannot be reproduced in any form without prior written permission of TOSHIBA TEC CORPORATION. No patent liability is assumed, however, with respect to the use of the information contained herein.

CONTENTS

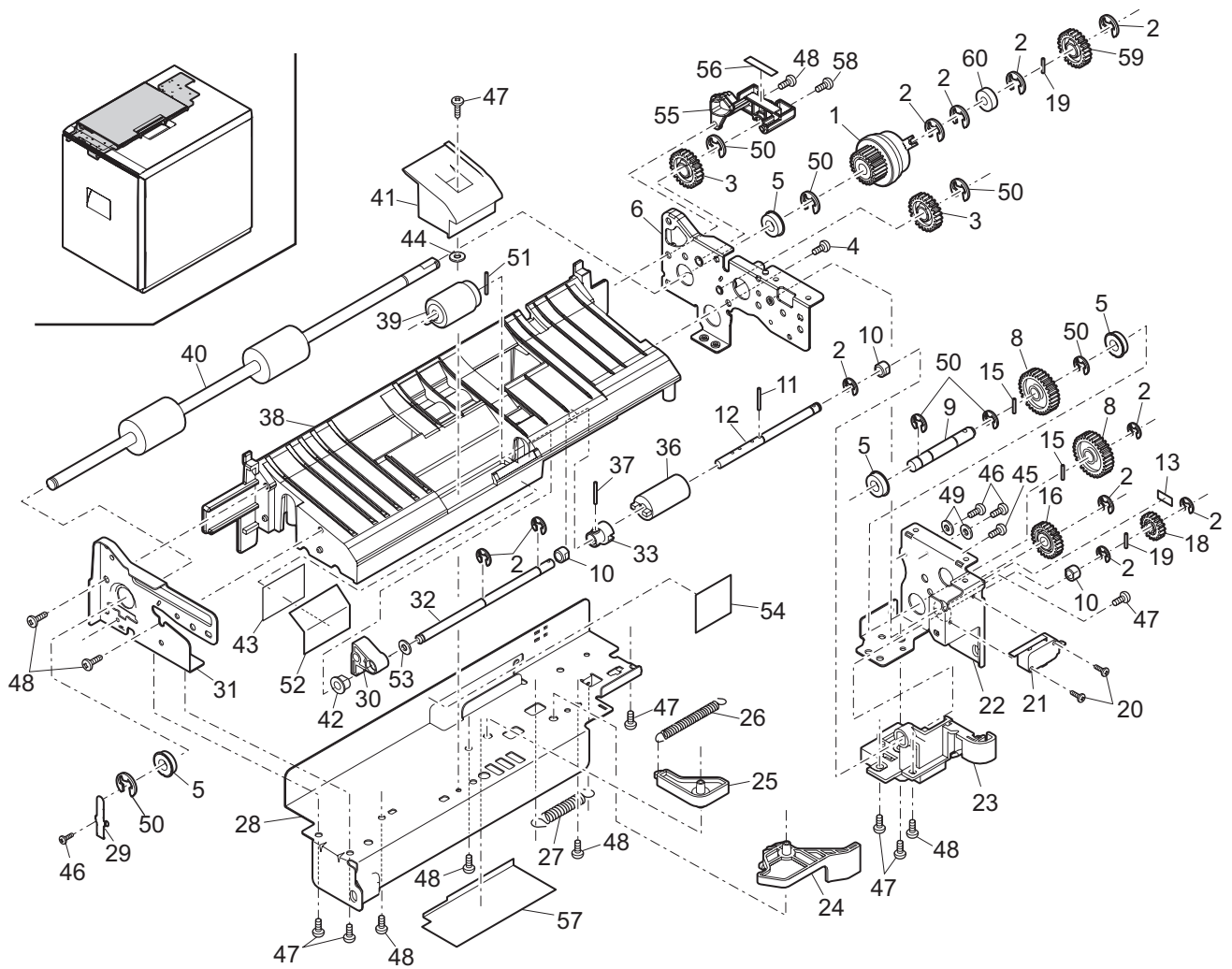
EXTERIOR.....	1
PAPER_FEED_SECTION_1.....	2
PAPER_FEED_SECTION_2.....	3
PAPER_FEED_SECTION_3.....	4
DRIVE_SECTION	5
FRAME_SECTION.....	6
TRAY_SECTION.....	7
REAR_FRAME_SECTION.....	8
ACCESSORIES	9



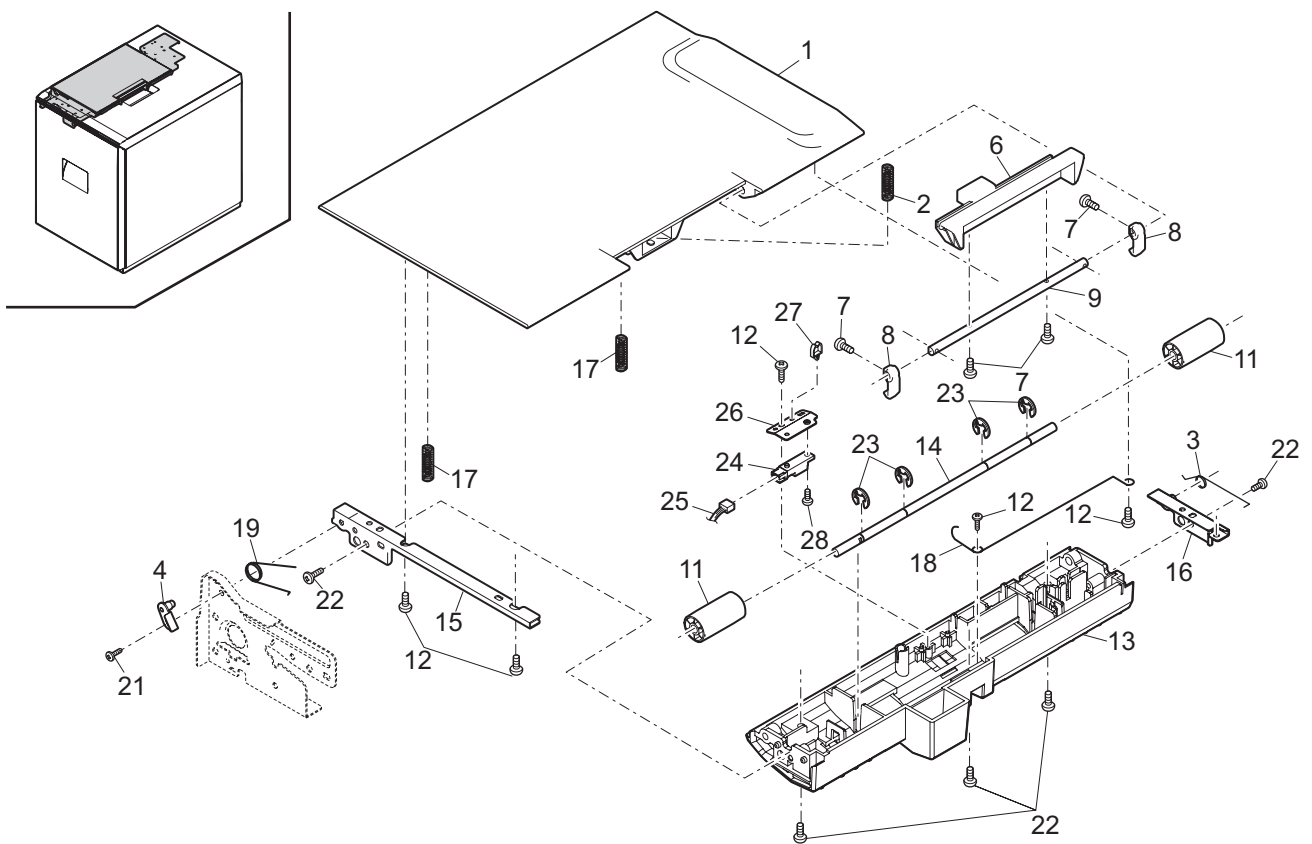
ITEM No.	PART No.	PART NAME	Q'TY / PAGE	Q'TY / PACK	REMARKS
1	6LS03380000	Upper cabinet			
2	6LS06227000	Screw			
3	6LS05797000	Pick up cover sheet			
4	6LS03347000	Rear cabinet			
5	6LS01821000	LCC handle			
6	6LS03348000	Right cabinet DR			
7	6LS03382000	Front cabinet			
8	6LS02988000	Cassette handle ass'y			
11	6LS01813000	3000 tray cabinet left rear CG			
13	6LS06250000	Washer			
15	6LS04301000	Screw			
16	6LA58793700	SCREW M4X10			
18	6LS02908000	Upper lock cover			



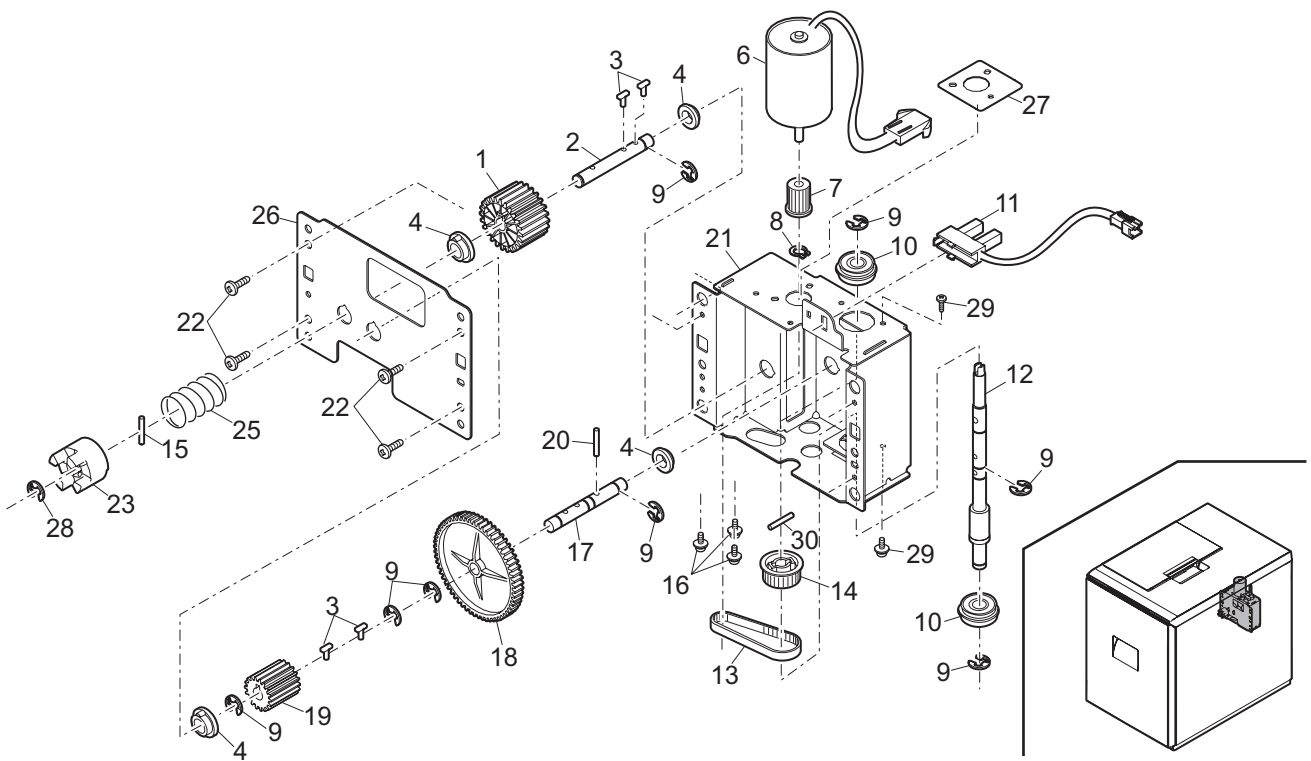
ITEM No.	PART No.	PART NAME	Q'TY / PAGE	Q'TY / PACK	REMARKS
1	6LS06095000	PIC solenoid PO			
2	6LS04831000	Bearing			
4	6LS05337000	5K clutch (W)			
5	6LS05675000	Solenoid lever cushion CD			
6	6LS04901000	Gear 16T			
7	6LS03737000	SP Pin			
9	6LS03175000	Paper feed harness			
11	6LS04102000	Multi sensor fixing plate			
12	6LS06158000	Photo sensor			
13	6LS04785000	Bearing			
14	6LS03646000	Paper feed turn plate LC			
15	6LS04712000	Pick support spring HE			
16	6LS05105000	Pick up shaft LC			
17	6LS04998000	Pick up roller pulley			
19	6LS04999000	Paper feed roller pulley			
20	6LS04739000	Belt			
21	6LS05051000	Pick up roller			
22	6LS05066000	Paper feed separate roller			
23	6LS04850000	One way coupling			
26	6LS05621000	Paper feed upper guide HE			
27	6LS06222000	Screw			
28	6LS06046000	Micro switch			
29	6LS03980000	Solenoid fixing plate HE			
30	6LS04709000	Solenoid arm spring HE			
31	6LS05104000	Paper feed shaft LC			
32	6LS04494000	Solenoid lever HE			
34	6LS03979000	Paper feed fixing plate HE			
35	6LA58792100	Screw			
36	6LS03981000	Solenoid lever fixing plate			
37	6LS04359000	Screw			
38	6LS04790000	Bearing			
40	6LS05672000	Pick up damper cushion			
41	6LA58793200	Screw M3X8			
42	6LS04304000	Screw			
43	6LS06227000	Screw			
44	6LA58793800	Screw M4X12			
45	6LS06242000	E ring			
46	6LA58926000	E-ring			
47	6LA58928000	E-ring			
48	6LS06162000	Sensor			
49	6LS05802000	Sensor cover			
50	6LS03982000	Open/close switch fixing plate			
51	6LS06044000	Door Switch			
52	6LS03603000	Mini clamp			
53	6LS04254000	Screw			
54	6LA58794500	Screw M3X8			



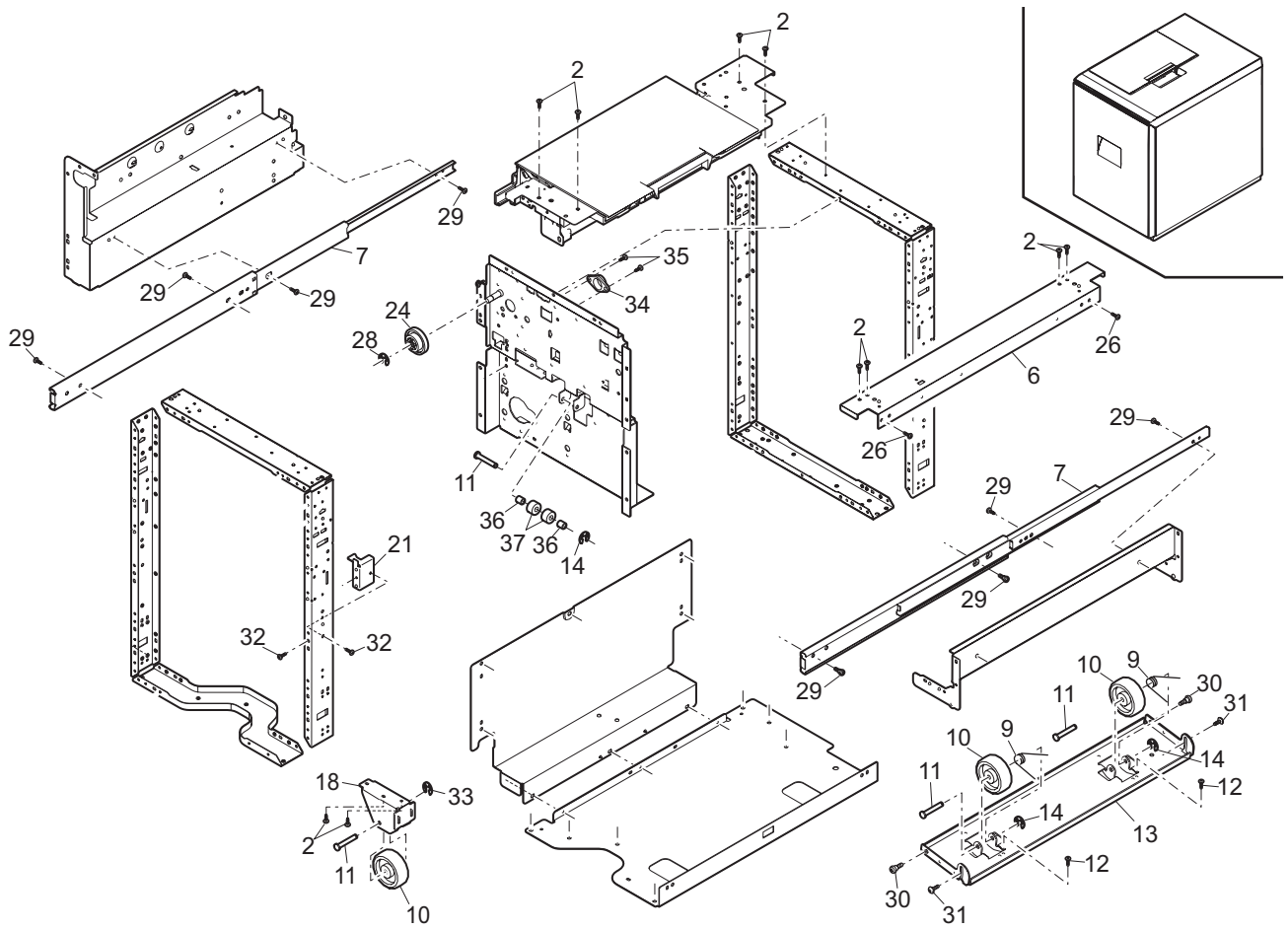
ITEM No.	PART No.	PART NAME	Q'TY / PAGE	Q'TY / PACK	REMARKS
1	6LS05336000	5K clutch			
2	6LA58926000	E-ring			
3	6LS02960000	DV idle gear 24T			
4	6LS04254000	Screw			
5	6LS04831000	Bearing			
6	6LS02953000	Paper feed frame R HE ass'y			
8	6LS04894000	Transport drive gear			
9	6LS05108000	Joint gear shaft			
10	6LS04795000	Bearing			
11	6LS03724000	SP pin			
12	6LS05106000	Reversal roller shaft A LC			
13	6LS05929000	Paper feed shaft vibration proof sheet			
15	6LS03732000	SP pin			
16	6LS04906000	One way gear			
18	6LS04901000	Gear 16T			
19	6LS03737000	SP Pin			
20	6LS06222000	Screw			
21	6LS06044000	Door Switch			
22	6LS02920000	Paper feed sub frame ass'y			
23	6LS04107000	TL fixing plate			
24	6LS04463000	Separate pressure release lever LC			
25	6LS04408000	Pressure arm			
26	6LS04710000	Separate spring HE			
27	6LS04659000	Pressure release spring			
28	6LS03761000	Paper feed support plate			
29	6LS06026000	Delivery earth plate			
30	6LS03645000	Rotation fulcrum holder			
31	6LS03533000	Paper feed frame F			
32	6LS05107000	Reversal roller shaft B LC			
33	6LS04856000	Separate coupling			
36	6LS05345000	Paper feed torque limiter			
37	6LS03742000	SP pin			
38	6LS05624000	Paper feed lower guide HE			
39	6LS05066000	Paper feed separate roller			
40	6LS05080000	Transport roller HE			
41	6LS05570000	Separate roller guide			
42	6LS04786000	Bearing			
43	6LS05904000	Separate sheet upper			
44	6LS04378000	Push nut(M4)			
45	6LS04374000	Screw			
46	6LA58794500	Screw M3X8			
47	6LS06226000	Screw			
48	6LA58793800	Screw M4X12			
49	6LA58914000	Washer			
50	6LA58928000	E-ring			
51	6LS03740000	SP pin			
52	6LS05803000	Separate front sheet			
53	6LS04395000	Poly slider			
54	6LS05850000	Edge protect sheet			
55	6LS03699000	Transport sensor harness holder			
56	6LS05856000	Harness fixing sheet HE			
57	6LS05851000	LC paper feed lower cover sheet			
58	6LS06179000	Screw			
59	6LS04905000	PS front drive gear			
60	6LS05350000	Belt drive collar			
61	6LS05905000	Separate sheet lower			



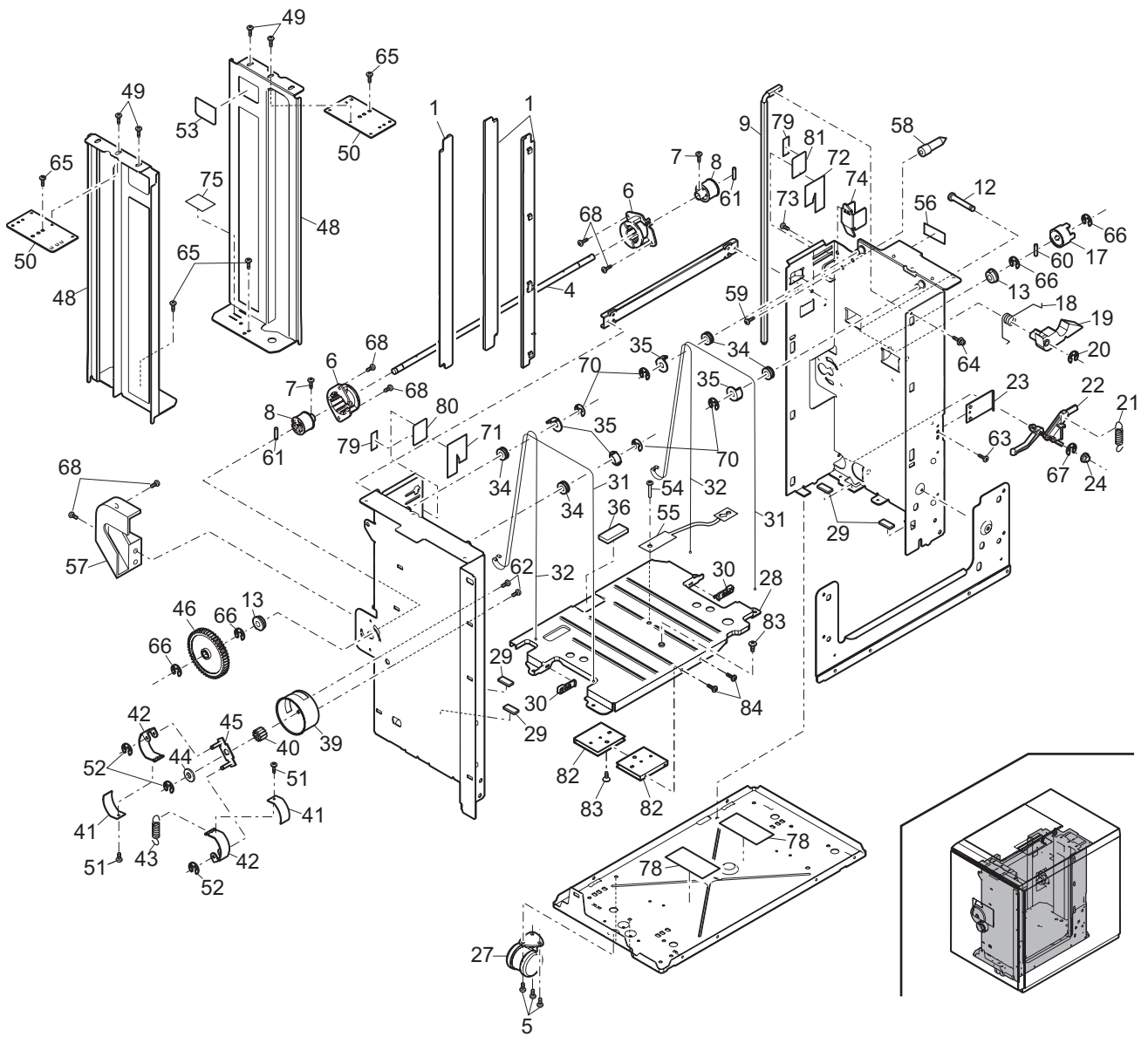
ITEM No.	PART No.	PART NAME	Q'TY / PAGE	Q'TY / PACK	REMARKS
1	6LS03381000	Upper open/close cabinet HE			
2	6LS04538000	Upper open/close handle spring			
3	6LS04636000	Upper open/close support spring			
4	6LS02993000	Upper open/close fulcrum plate ass'y			
6	6LS04461000	Desk left door releace lever			
7	6LA58792100	Screw			
8	6LS05976000	Desk left door lock pawl			
9	6LS05101000	Upper open/close handle shaft			
11	6LS03129000	Follower roller ass'y			
12	6LA58793100	Screw M3X6			
13	6LS05622000	LCC upper open/close paper guide HE			
14	6LS05102000	Transport follower shaft LC			
15	6LS03531000	Upper open/close frame F			
16	6LS02954000	Upper open/close frame R			
17	6LS04536000	Transport follower spring			
18	6LS04601000	Upper open/close earth spring			
19	6LS04604000	Upper open/close support spring			
21	6LS06227000	Screw			
22	6LA58793700	SCREW M4X10			
23	6LA58926000	E-ring			
24	6LS06164000	Sensor			
25	6LS03176000	Sensor harness 2 HE			
26	6LS03983000	Transport sensor fixing plate HE			
27	6LS03603000	Mini clamp			
28	6LA58794500	Screw M3X8			



ITEM No.	PART No.	PART NAME	Q'TY / PAGE	Q'TY / PACK	REMARKS
1	6LS04892000	Gear 30T			
2	6LS05109000	Lift coupling shaft			
3	6LS03733000	T type pin			
4	6LS04785000	Bearing			
6	6LS06090000	Lift motor			
7	6LS05012000	Pulley			
8	6LS05764000	G4 ring			
9	6LA58928000	E-ring			
10	6LS04829000	Bearing			
11	6LS01822000	Photo sensor			
12	6LS04988000	Worm gear 3000N			
13	6LS04740000	Belt			
14	6LS05013000	Pulley			
15	6LS03726000	Pin			
16	6LA58792700	Screw M3X6			
17	6LS05110000	Worm wheel shaft			
18	6LS04888000	Worm wheel gear 86T			
19	6LS04890000	Gear 20T			
20	6LS03730000	Pin			
21	6LS05326000	Lift drive BOX			
22	6LS06227000	Screw			
23	6LS04857000	Lift coupling			
25	6LS04537000	Lift coupling spring			
26	6LS03766000	Lift drive unit fixing plate			
27	6LS05653000	Motor protection rubber			
28	6LS06243000	E ring			
29	6LA58852000	Screw			
30	6LS03734000	SP pin			

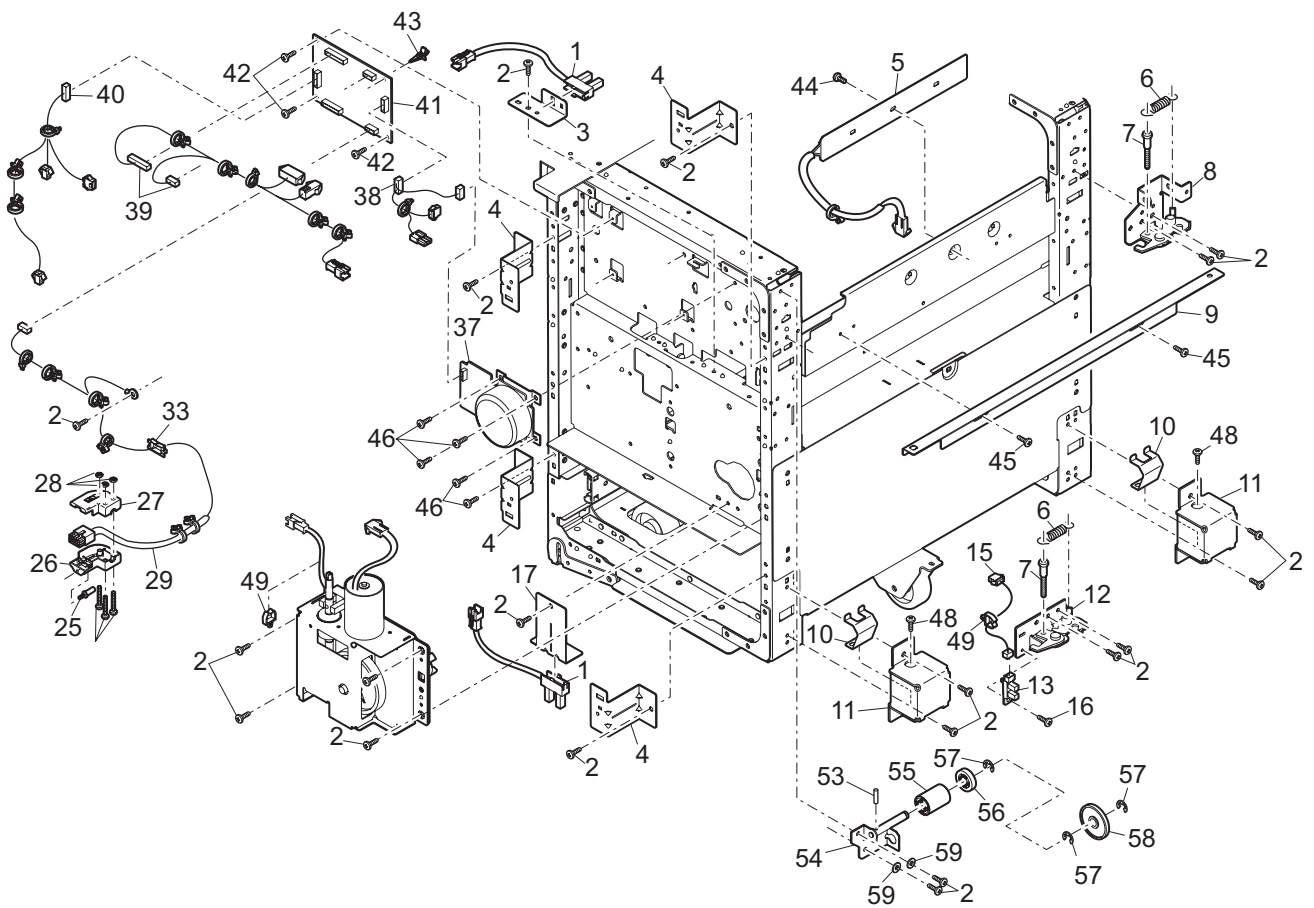


ITEM No.	PART No.	PART NAME	Q'TY / PAGE	Q'TY / PACK	REMARKS
2	6LS06227000	Screw			
6	6LS01801000	Prop joint stay 3000L			
7	6LS04151000	Slide rail			
9	6LS04603000	Height adjust spring			
10	6LS01832000	Height adjust roller			
11	6LS05096000	T cassette lock shaft			
12	6LS06227000	Screw			
13	6LS03760000	Height adjust plate			
14	6LA58926000	E-ring			
18	6LS03767000	Caster fixing plate DR			
21	6LS01802000	Accuride stopper L			
24	6LS04903000	Gear 55T/25T			
26	6LS04304000	Screw			
28	6LA58928000	E-ring			
29	6LS04312000	Screw			
30	6LS04265000	Step screw			
31	6LS06204000	Screw			
32	6LS06179000	Screw			
33	6LA58926000	E-ring			
34	6LS03641000	Holder D			
35	6LA58852000	Screw			
36	6LS04782000	Bearing F6			
37	6LS04832000	Bearing			

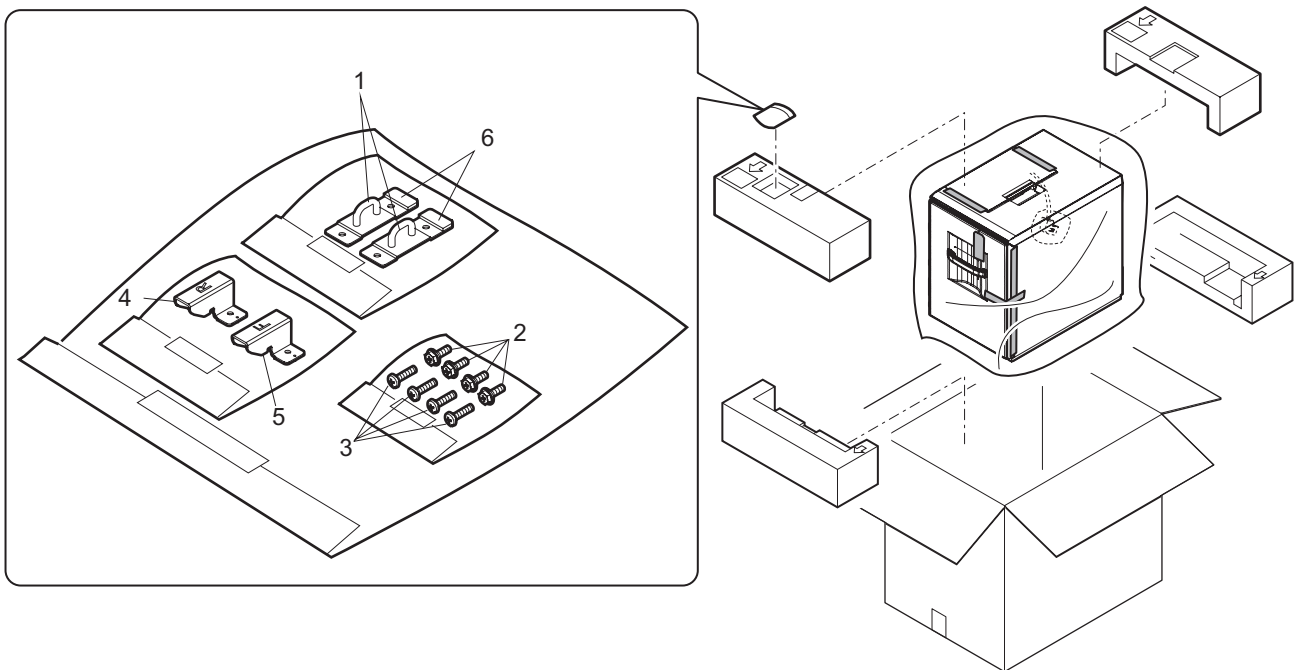


ITEM No.	PART No.	PART NAME	Q'TY / PAGE	Q'TY / PACK	REMARKS
1	6LS05571000	Paper regulation guide			
4	6LS05103000	Winder shaft LC			
5	6LS06227000	Screw			
6	6LS05373000	Winder pulley cover			
7	6LS04304000	Screw			
8	6LS05014000	Wire reel			
12	6LS05096000	T cassette lock shaft			
13	6LS04785000	Bearing			
17	6LS04857000	Lift coupling			
18	6LS04602000	D cassette lock arm spring			
19	6LS04404000	T cassette lock arm			
20	6LA58926000	E-ring			
21	6LS04666000	Lower limit actuator spring			
22	6LS04464000	Lower limit actuator			
23	6LS01826000	Accuride stopper TRY			
24	6LS04803000	Gate bearing			
27	6LS01824000	Caster			
28	6LS03489000	Paper feed base			
29	6LS05654000	Paper feed base soundproof rubber			
30	6LS05572000	Paper feed base guide			
31	6LS06002000	Wire L			
32	6LS06003000	Wire R			
34	6LS05004000	Wire pulley			
35	6LS05371000	Wire fixing collar N			
36	6LS05920000	Paper feed base sheet			
39	6LS03069000	Brake plate ass'y			
40	6LS04887000	Gear 12T			
41	6LS05923000	Centrifugal brake pad			
42	6LS03751000	Centrifugal plate			
43	6LS04667000	Centrifugal spring			
44	6LS06248000	Washer			
45	6LS02990000	Centrifugal fixing plate ass'y			
46	6LS01817000	Gear 78			
48	6LS03768000	Size regulation plate			
49	6LS04310000	Screw			
50	6LS03758000	Size guide adjust plate			
51	6LS06202000	Screw			
52	6LA58923000	E-ring			
53	6LS06119000	Indication label			
54	6LS04278000	Screw			
55	6LS02903000	Unpacking caution label			
56	6LS05652000	Cassette stopper rubber			
57	6LS05374000	Centrifugal gear cover			
58	6LS05111000	Cassette position shaft R			
59	6LS04374000	Screw			
60	6LS03726000	Pin			
61	6LS03730000	Pin			
62	6LA58792000	Screw M3X4			
63	6LS06179000	Screw			
65	6LS04257000	Screw(4×10)			
66	6LA58928000	E-ring			
67	6LS01830000	E4 type ring			
68	6LS06226000	Screw			
70	6LS06243000	E ring			
71	6LS05809000	Cassette paper feed sheet F			
72	6LS05810000	Cassette paper feed sheet R			
73	6LS04314000	Screw			
74	6LS05509000	Regulation supprot guide			
78	6LS05925000	Tray soundproof sheet			
79	6LS05989000	Cassette paper feed tape			
80	6LS03815000	Cassette paper feed plate			
81	6LS03816000	Cassette paper feed plate R			
82	6LS03995000	Paper feed weight plate			

ITEM No.	PART No.	PART NAME	Q'TY / PAGE	Q'TY / PACK	REMARKS
83 84	6LS04273000 6LA58792200	Screw(4×8) Screw M3X8			



ITEM No.	PART No.	PART NAME	Q'TY / PAGE	Q'TY / PACK	REMARKS
1	6LS01822000	Photo sensor			
2	6LS06227000	Screw			
3	6LS03754000	Cassette sensor fixing plate			
4	6LS03765000	Rear cabinet fixing plate			
6	6LS04668000	Lock release plate spring			
7	6LS01811000	Lock release step screw			
8	6LS01803000	Lock fixing plate F ass'y			
9	6LS01827000	Lock release joint plate			
10	6LS04653000	LCC lower earth plate			
11	6LS03759000	LCC fixing plate lower			
12	6LS01804000	Lock fixing plate R ass'y			
13	6LS06159000	Photo sensor			
15	6LS03156000	Sensor harness			
16	6LA58792000	Screw M3X4			
17	6LS03764000	Lower limit sensor fixing plate			
23	6LS04388000	Washer			
24	6LS01808000	Screw			
25	6LS01807000	Screw for EL Connector			
26	6LS01816000	Connector cover B			
27	6LS01815000	Connector cover A			
28	6LS01825000	Nut			
29	6LS03174000	Body joint harness PO			
33	6LS03614000	Edge wire saddle			
37	6LS06070000	Transport motor SB			
38	6LS03157000	Lift up harness			
39	6LS03155000	Main harness			
40	6LS03159000	Lower main harness			
41	6LS03102000	LCC main PWB unit PO			
42	6LA58792100	Screw			
43	6LS04246000	PWB support			
45	6LS04262000	Step screw			
46	6LS06226000	Screw			
48	6LS04301000	Screw			
49	6LS01820000	Mini clamp			
53	6LS03737000	SP Pin			
54	6LS03067000	TL fixing plate ass'y			
55	6LS05342000	Transport torque limiter			
56	6LS01819000	20T gear			
57	6LA58926000	E-ring			
58	6LS05349000	Delivery drive joint collar			
59	6LS04393000	Washer			



ITEM No.	PART No.	PART NAME	Q'TY / PAGE	Q'TY / PACK	REMARKS
1	6LS02996000	DSK fixing plate upper ass'y			
2	6LS01809000	Screw			
3	6LS06181000	Screw			
4	6LS03763000	LCC joint plate lower rear			
5	6LS03762000	LCC joint plate lower front			
6	6LS05655000	LCC stopper rubber WH2			

TOSHIBA

TOSHIBA TEC CORPORATION

1-11-1, OSAKI, SHINAGAWA-KU, TOKYO, 141-8562, JAPAN