

**TOSHIBA**

# **SERVICE PARTS LIST**

**Facsimile Expansion kit**

**MX-FX15**

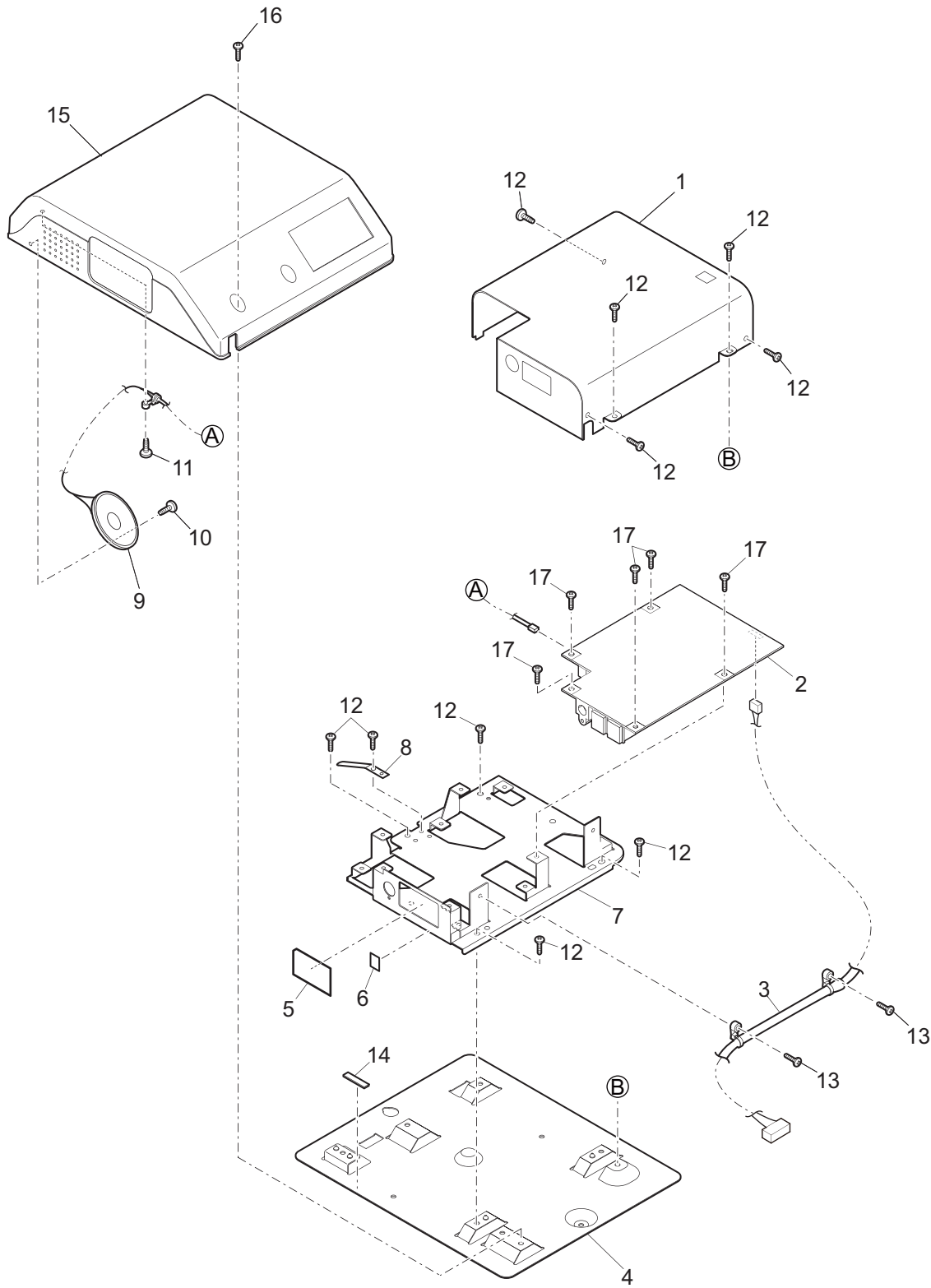
© 2020 Toshiba Tec Corporation All rights reserved

Under the copyright laws, this manual cannot be reproduced in any form without prior written permission of Toshiba Tec Corporation. No patent liability is assumed, however, with respect to the use of the information contained herein.

# CONTENTS

Fax box unit.....	1
-------------------	---









**TOSHIBA**

**Toshiba Tec Corporation**

1-11-1, OSAKI, SHINAGAWA-KU, TOKYO, 141-8562, JAPAN