

**TOSHIBA**

# **SERVICE PARTS LIST**

**Staple Finisher**

**MX-FN24/FN25/PNX4B**

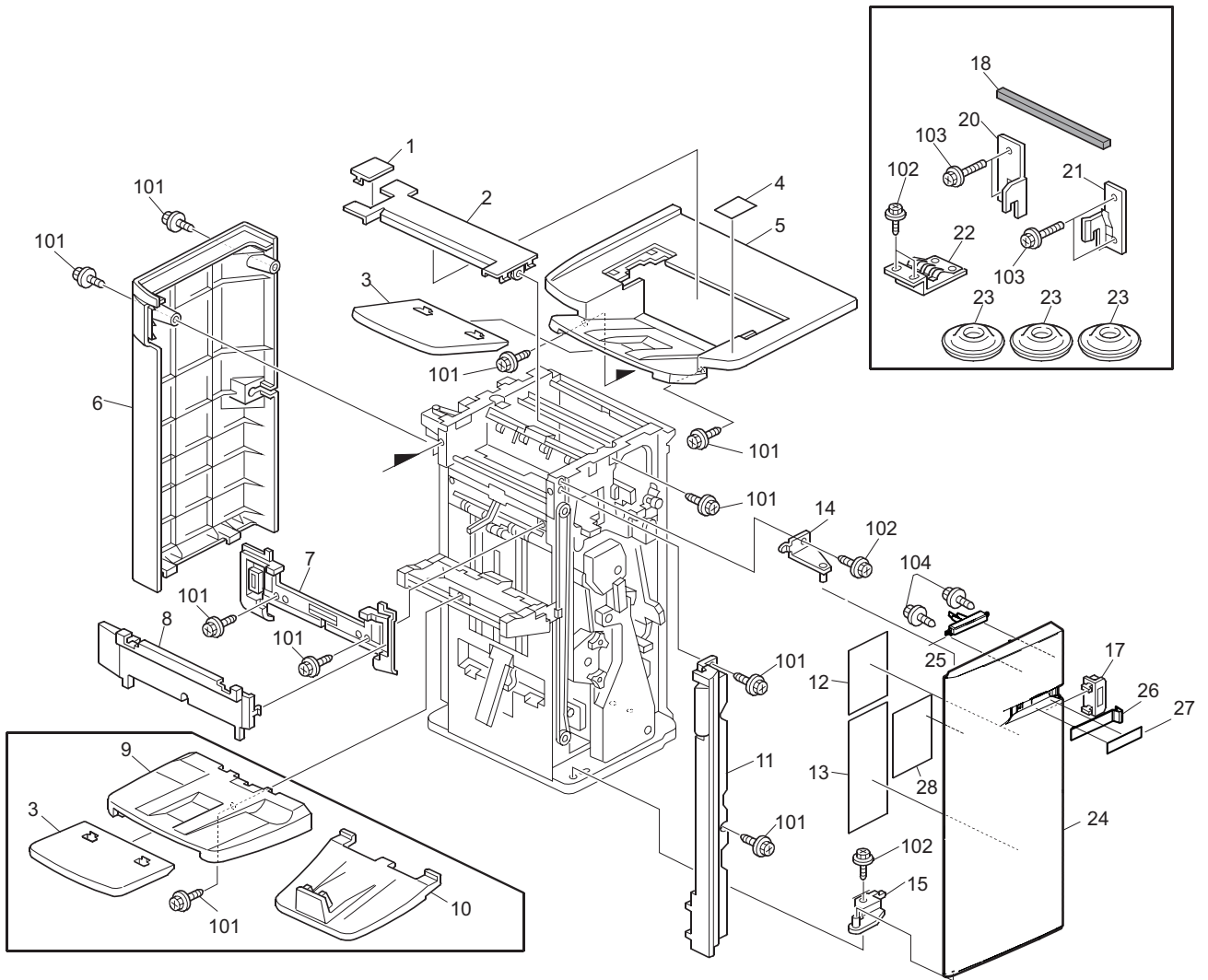
© 2014 TOSHIBA TEC CORPORATION All rights reserved

Under the copyright laws, this manual cannot be reproduced in any form without prior written permission of TOSHIBA TEC CORPORATION. No patent liability is assumed, however, with respect to the use of the information contained herein.

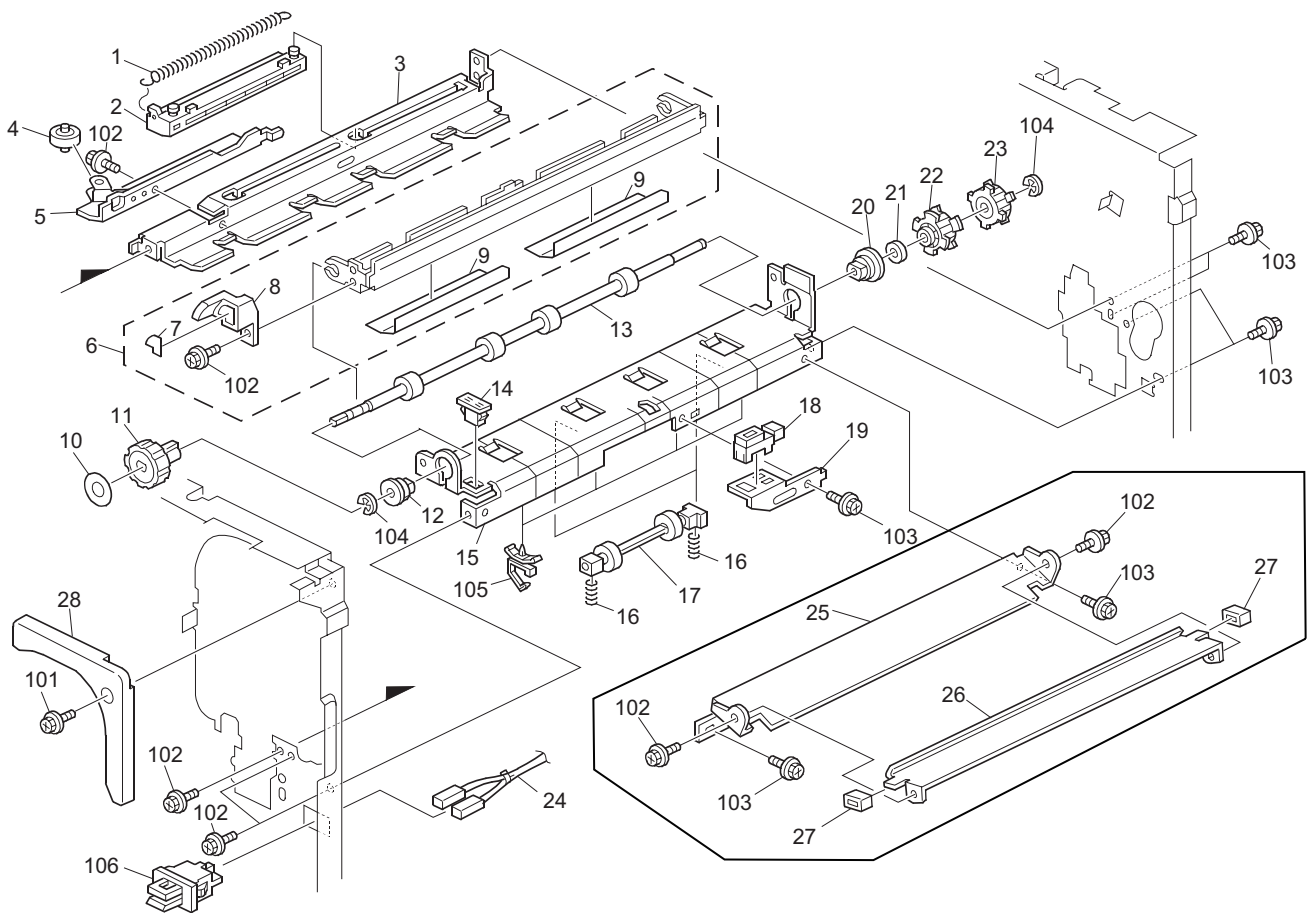
# CONTENTS

EXTERIOR.....	1
ENTRANCE_TRANSPOTT_SECTION.....	2
PUNCH_SECTION_1 .....	3
PUNCH_SECTION_2 .....	4
SHIFT_TRANSPORT_SECTION_1.....	5
SHIFT_TRANSPORT_SECTION_2.....	6
SHIFT_TRANSPORT_SECTION_3.....	7
UPPER_DELIVERY_PAPER_SECTION_1 .....	8
UPPER_DELIVERY_PAPER_SECTION_2 .....	9
STAPLE_TRANSPORT_SECTION_1.....	10
STAPLE_TRANSPORT_SECTION_2.....	11
STAPLE_TRAY_SECTION_1 .....	12
STAPLE_TRAY_SECTION_2 .....	13
STAPLE_TRAY_SECTION_3 .....	14
STAPLE_TRAY_SECTION_4 .....	15
STAPLE_TRAY_SECTION_5 .....	16
STAPLE_TRAY_SECTION_6 .....	17
PAPER_FOLD_SECTION_1[MX-FNX25].....	18
PAPER_FOLD_SECTION_2[MX-FNX25].....	19
PAPER_FOLD_SECTION_3[MX-FNX25].....	20
DELIVERY_PAPER_SECTION.....	21
DRIVE_SECTION_1 .....	22
DRIVE_SECTION_2 .....	23
DRIVE_SECTION_3 .....	24
ELECTRIC_SECTION .....	25
FRAME_SECTION.....	26
PACKING_MATERIAL&ACCESSORIES .....	27



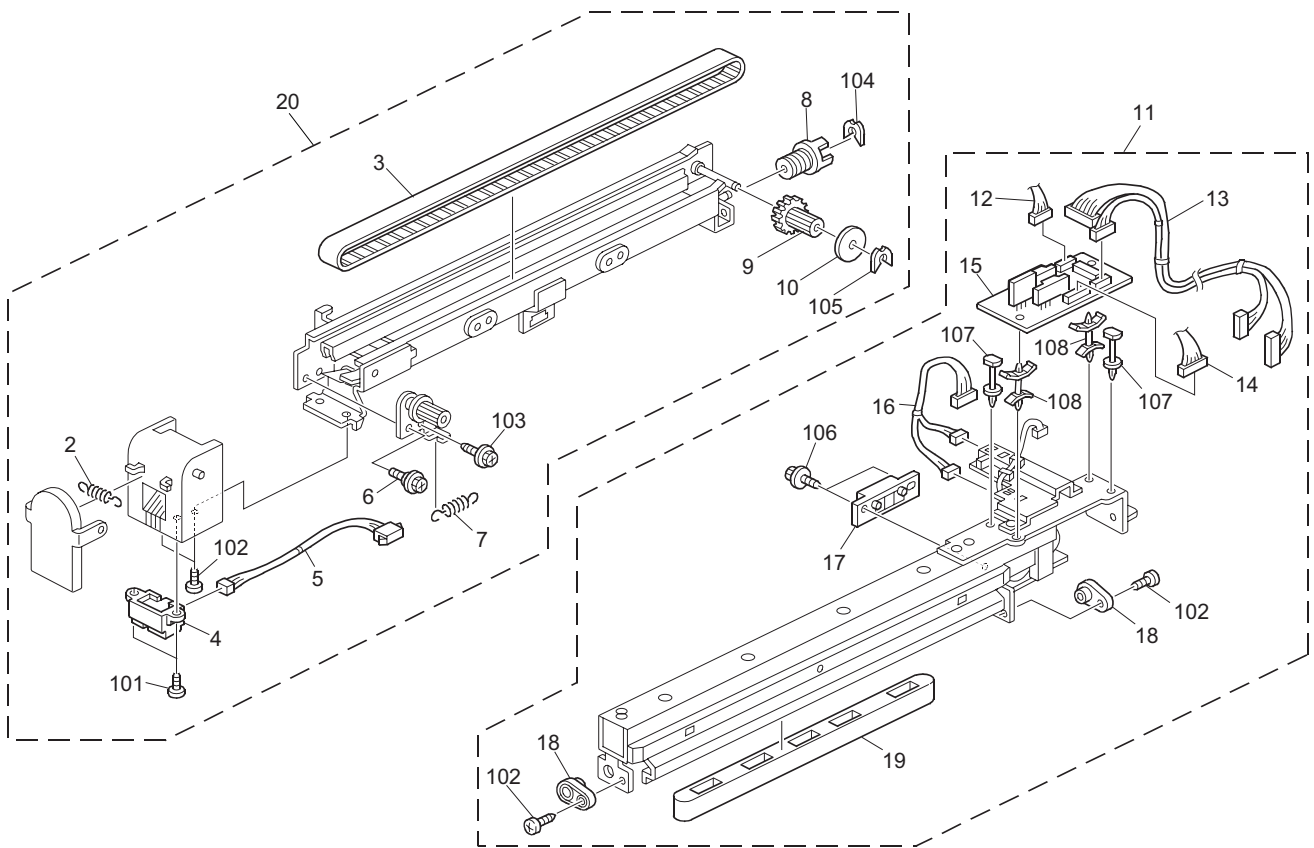




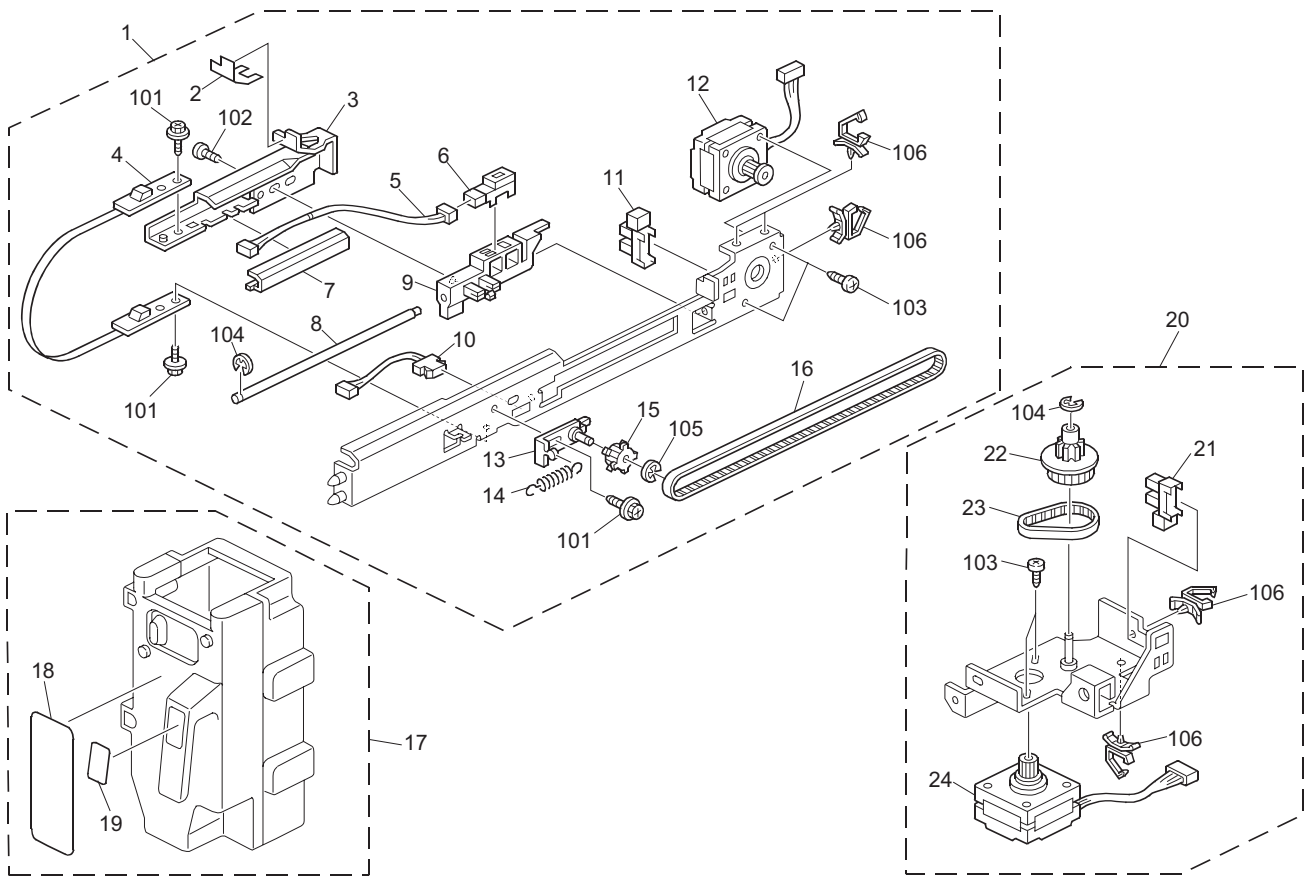




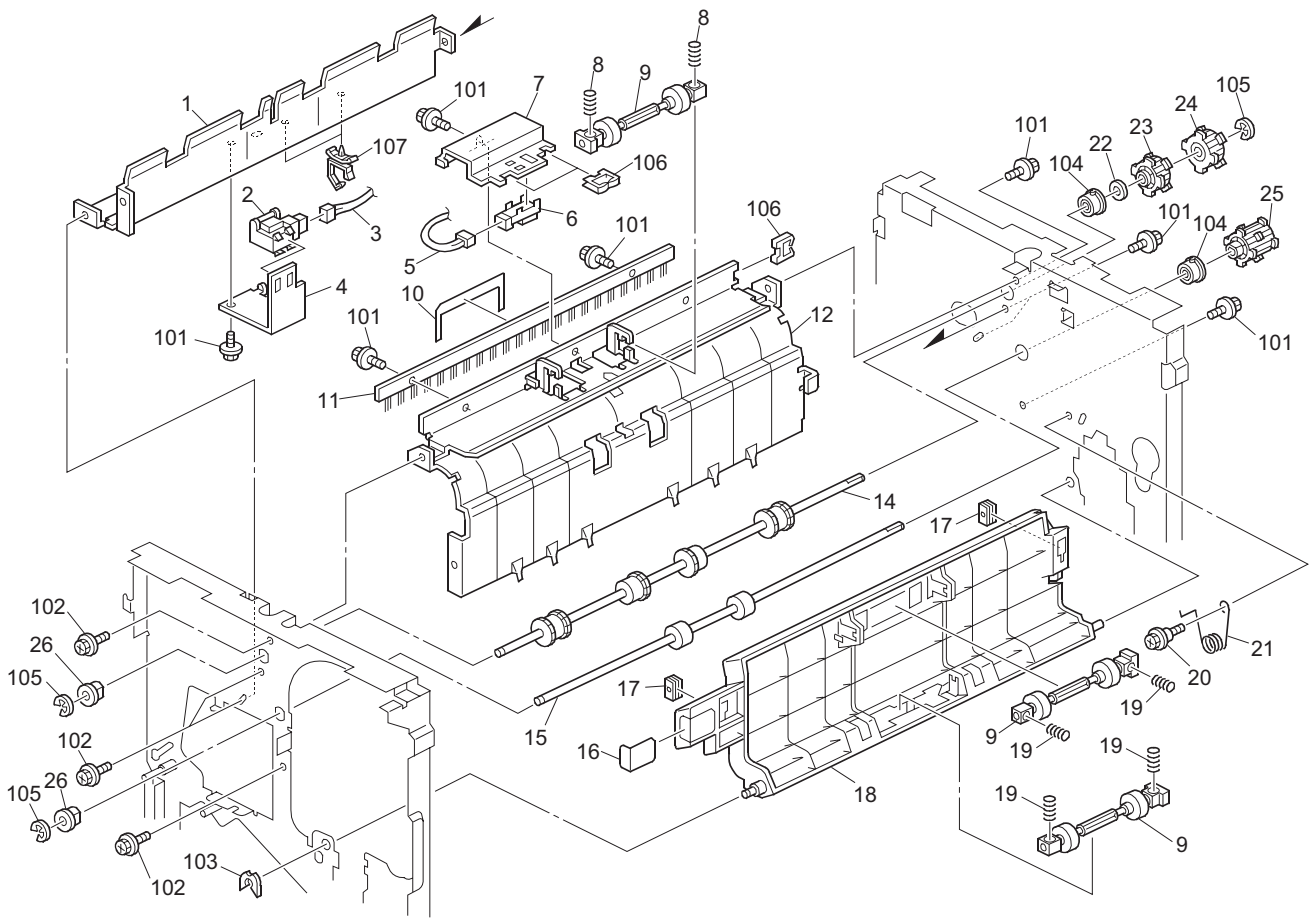




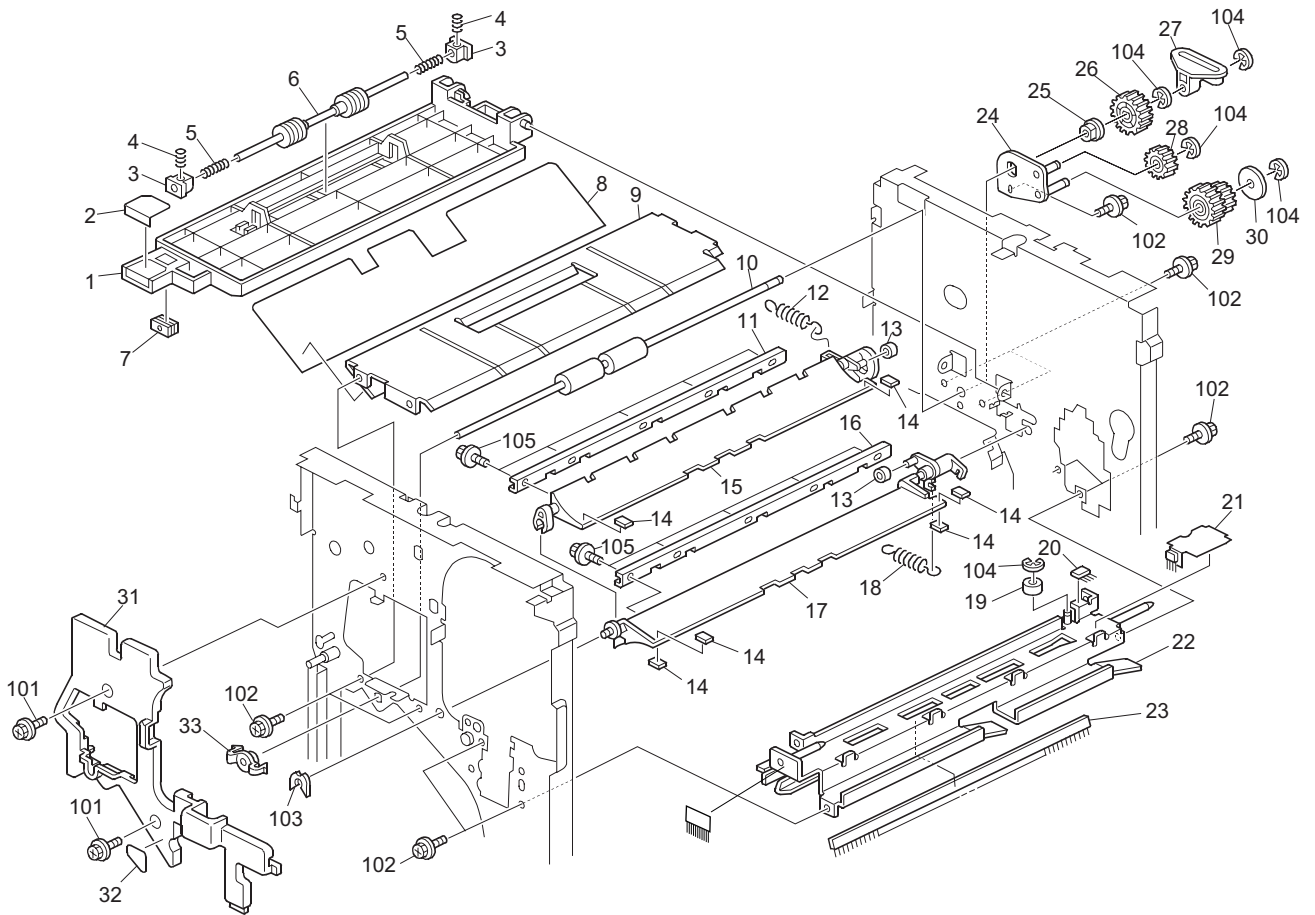






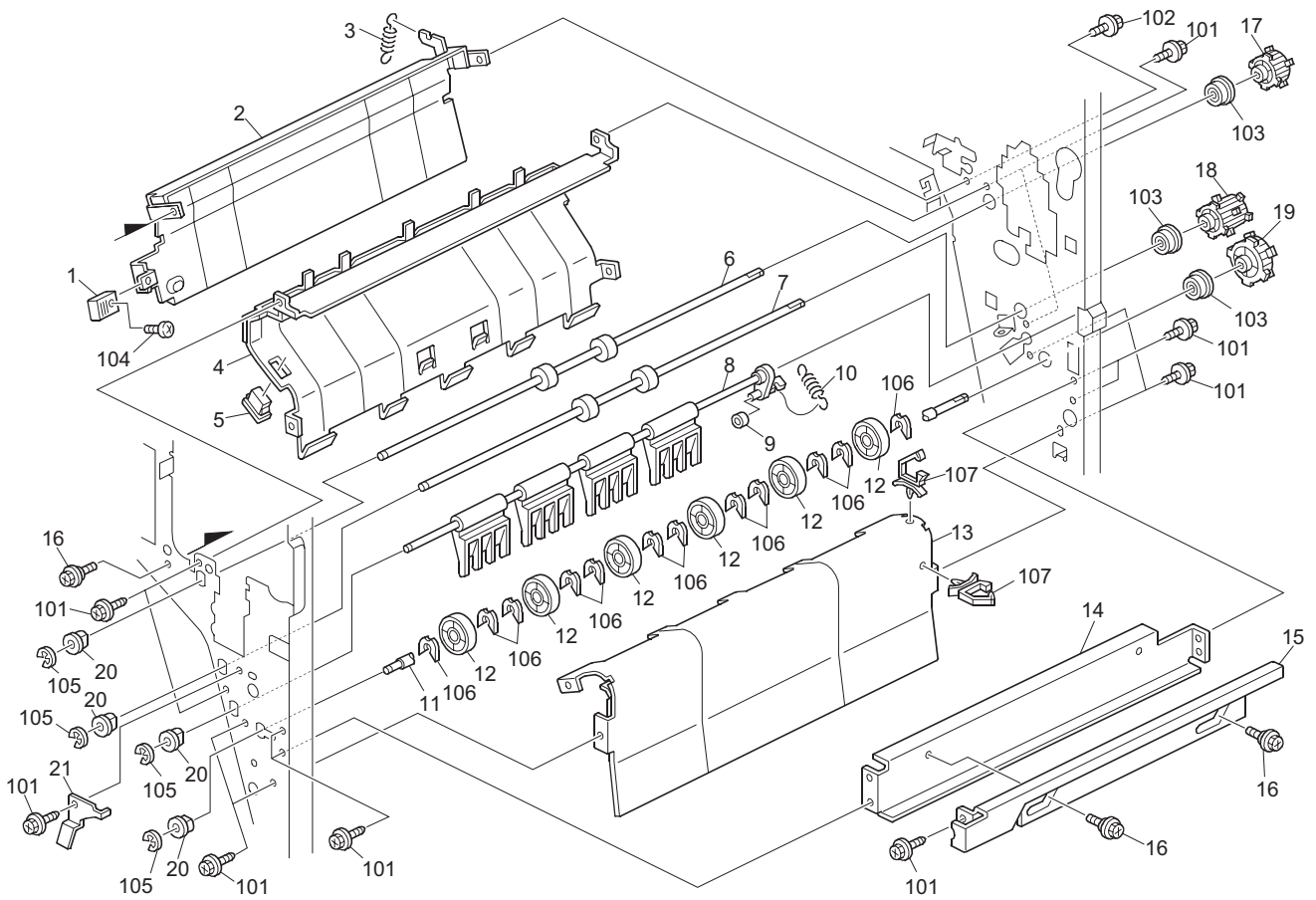




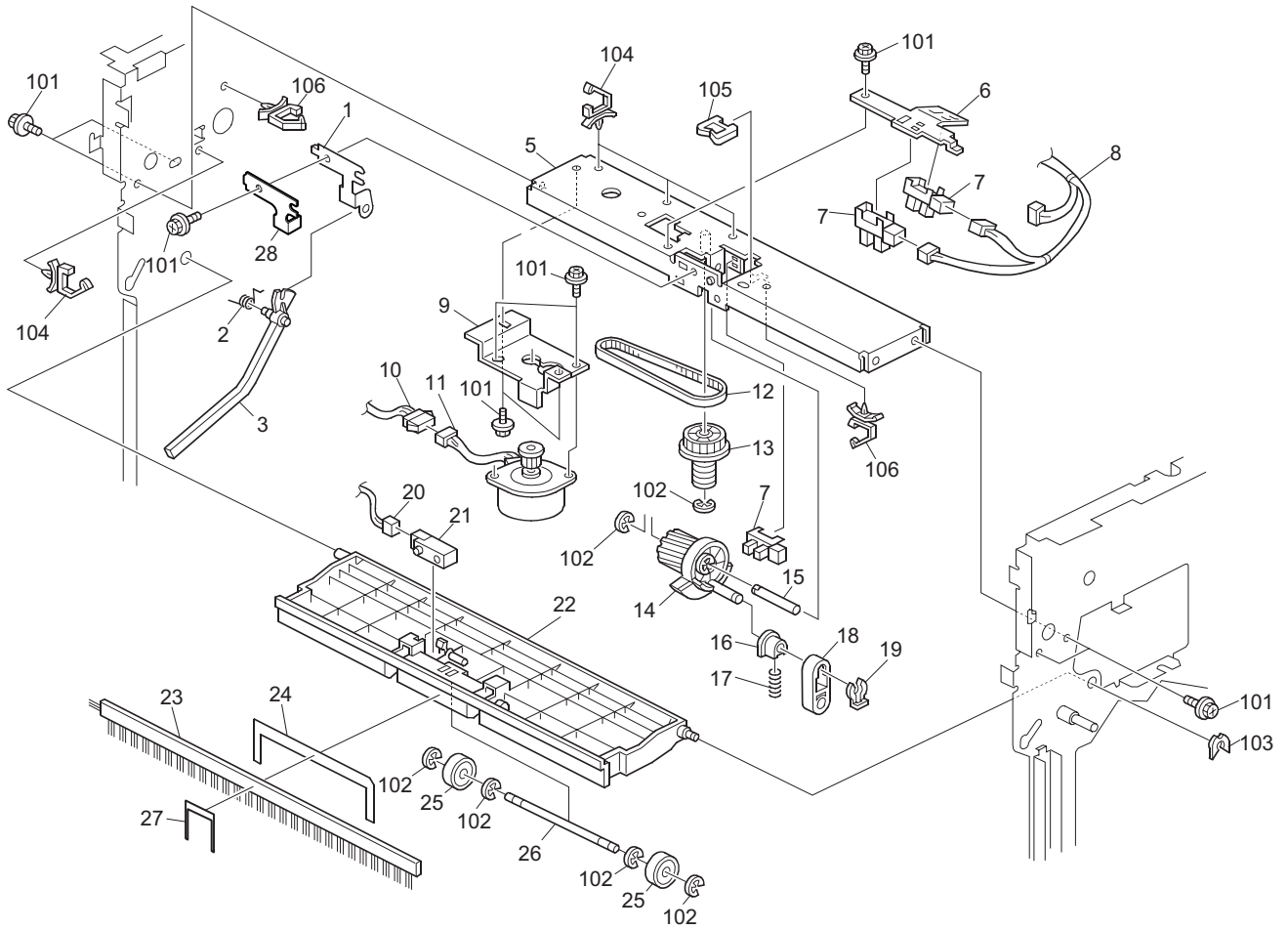


ITEM No.	PART No.	PART NAME	Q'TY / PAGE	Q'TY / PACK	REMARKS
1	6LS02336000	GUIDE PLATE:HORIZONTAL:SHIFT:OPEN AND CLOSE			
2	6LS02386000	DECAL:SHIFT:R4			
3	6LS01969000	BUSHING:DRIVEN:SLIDE			
4	6LS01924000	PRESSURE SPRING-14.5MM			
5	6LS01968000	COMPRESSION SPRING:SLIDE			
6	6LS01967000	ROLLER:DRIVEN:SLIDE			
7	6LS01942000	MAGNET CATCH:ASS'Y			
8	6LS02034000	SHEET:GUIDE:STAPLE			
9	6LS02335000	GUIDE PLATE:SHIFT:HORIZONTAL:LOWER			
10	6LS02032000	TRANSPORT ROLLER:SHIFT			
11	6LS02063000	SUPPORTING PLATE:GATE PAWL:PROOF TRAY			
12	6LS02067000	TENSION SPRING:PAWL:PROOF TRAY			
13	6LS01901000	CUSHION-BIN SOLENOID LEVER			
14	6LS02062000	CUSHION:GATE PAWL			
15	6LS02059000	GATE PAWL:PROOF TRAY			
16	6LS02064000	SUPPORTING PLATE:GATE PAWL:STAPLE			
17	6LS02058000	GATE PAWL:STAPLE			
18	6LS02066000	TENSION SPRING:PAWL:STAPLE			
19	6LS01891000	BUSHING-M6X5			
20	6LS02328000	DISCHARGE BRASH:PUNCH UNIT			
21	6LS01991000	SHEET:GUIDE:PUNCH:ASS'Y			
22	6LS01998000	STAY:PUNCH UNIT:SLIDE:ASS'Y			
23	6LS02329000	DISCHARGE BRASH:PUNCH:			
24	6LS02015000	TRANSPORT			
25	6LS01927000	PLAIN SHAFT BEARING:DIA6			
26	6LS02033000	GEAR:TRANSPORT ROLLER:SHIFT:DRIVE			
27	6LS02324000	LINK:ROLLER:SLIDE:ASS'Y			
28	6LS02016000	GEAR:MIDDLE:ASS'Y			
29	6LS02014000	GEAR:TRANSPORT ROLLER:SHIFT:TRANSMISSION:ASS'Y			
30	6LS01990000	SPACER			
31	6LS02286000	INNER COVER:UPPER			
32	6LS02389000	DECAL:TURN:OPEN AND CLOSE:R7			
33	6LS01970000	BUSHING:ROLLER:SLIDE			
101	6LS01850000	TAPPING SCREW:3X8			
102	6LS01849000	TAPPING SCREW:3X6			
103	6LS01870000	RETAINING RINGS-E:SILENCER:DIA4			
104	6LS01865000	RETAINING RINGS-E:4			
105	6LS01847000	TAPPING SCREW:3X8			

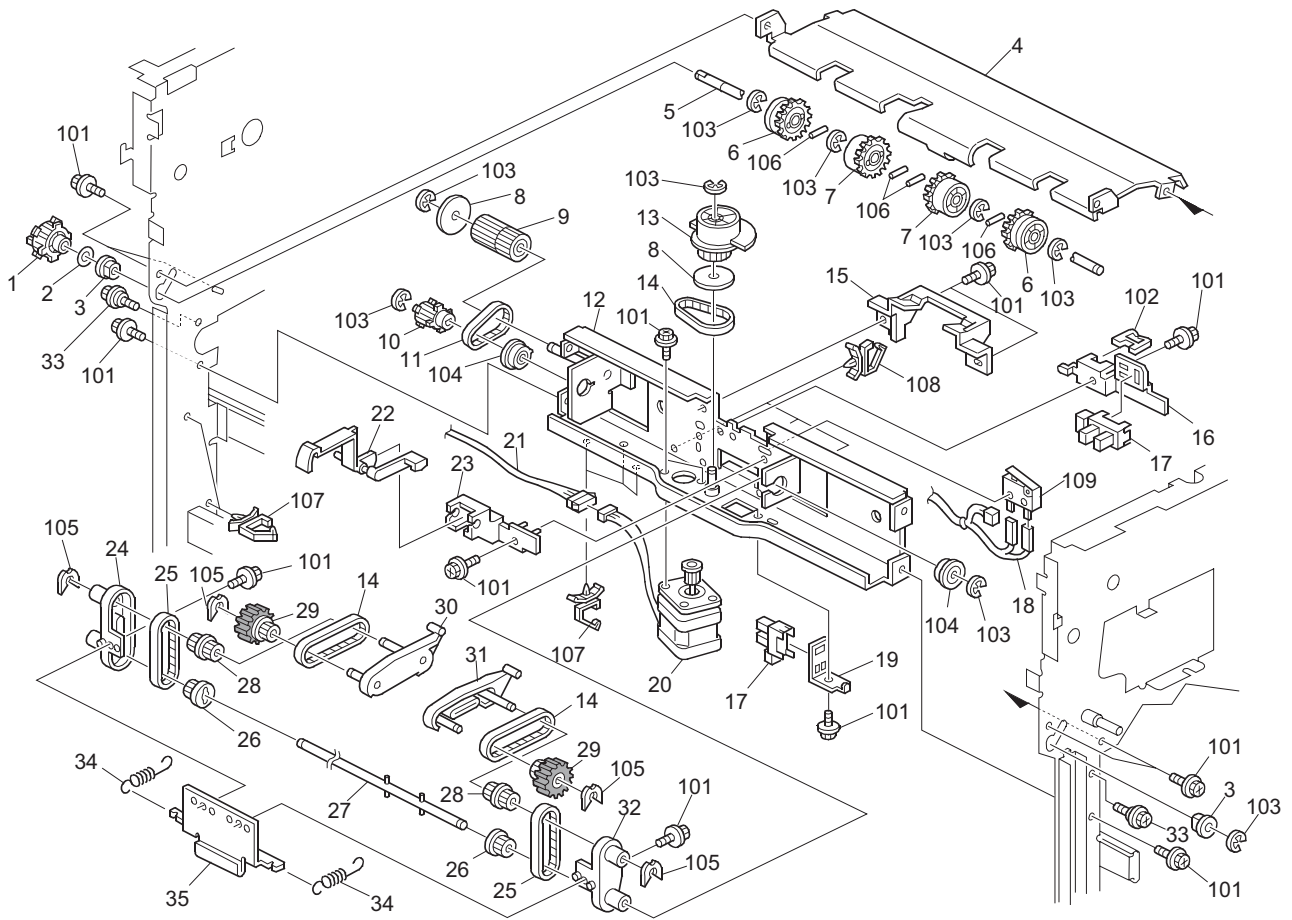




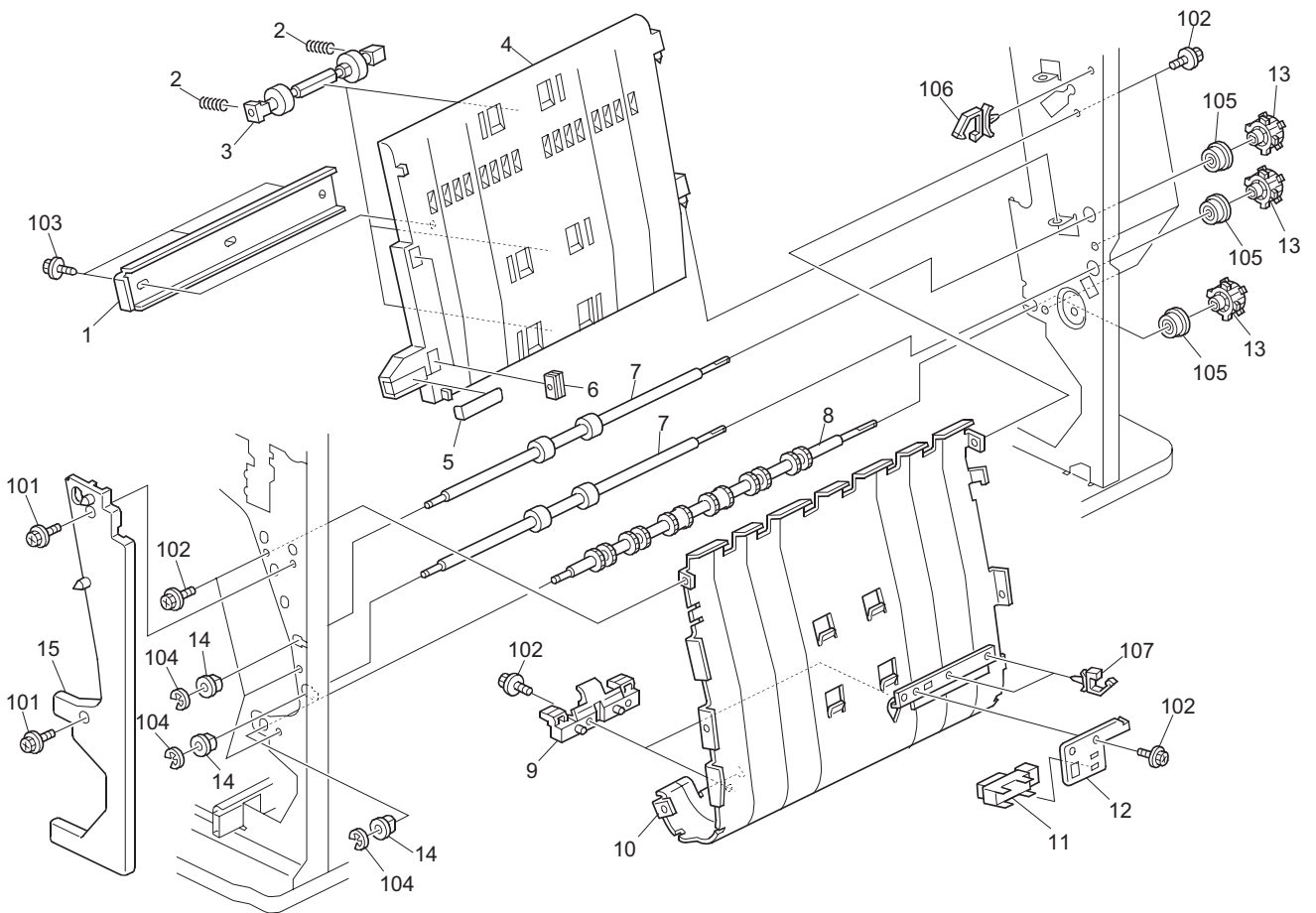






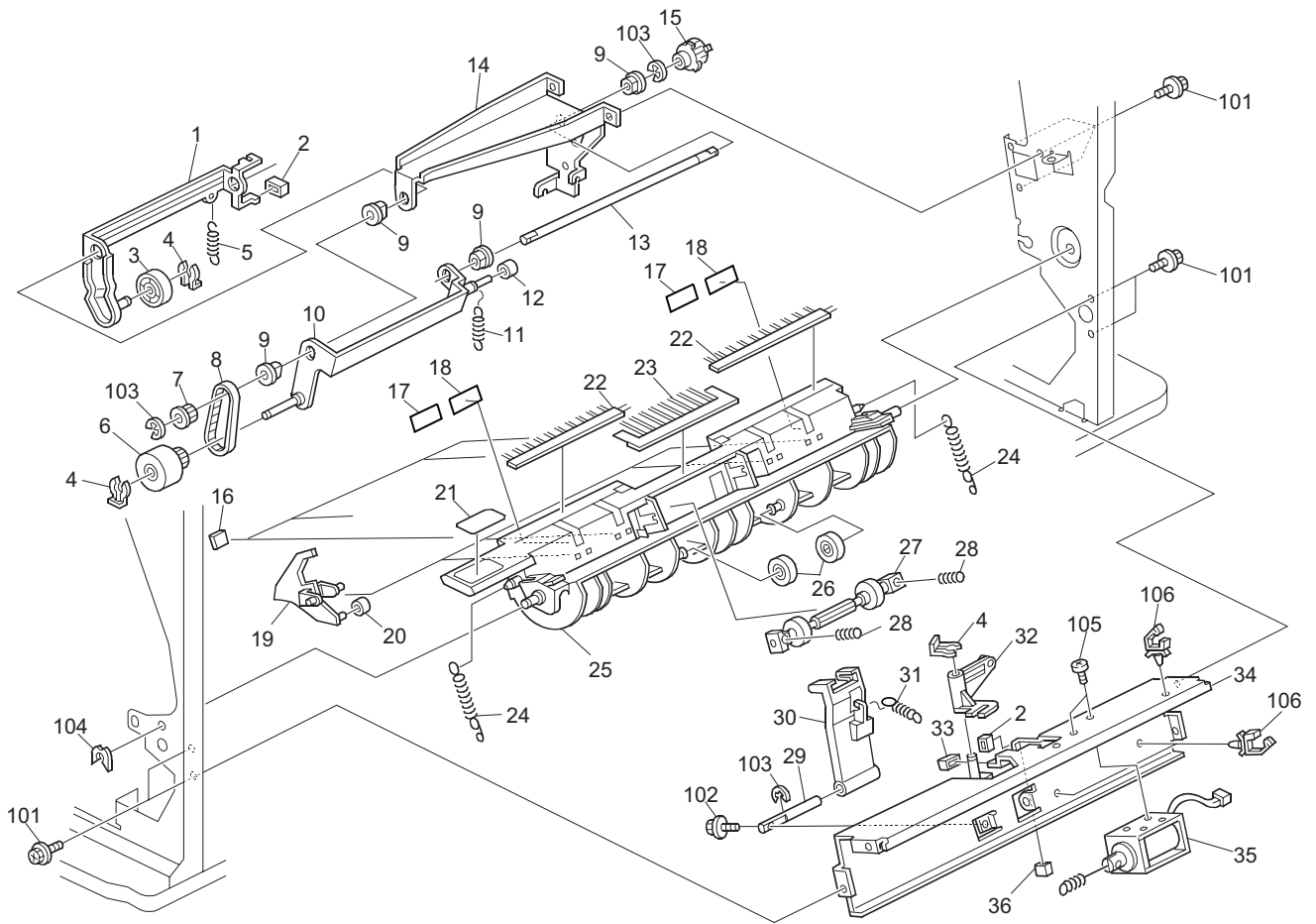


ITEM No.	PART No.	PART NAME	Q'TY / PAGE	Q'TY / PACK	REMARKS
1	6LS01961000	TIMING PULLEY:S3M:T20			
2	6LS01927000	PLAIN SHAFT BEARING:DIA6			
3	6LS01927000	PLAIN SHAFT BEARING:DIA6			
4	6LS02342000	GUIDE PLATE:EXIT:LOWER			
5	6LS02100000	SHAFT:EXIT ROLLER			
6	6LS01964000	EXIT ROLLER:OUTER			
7	6LS01963000	EXIT ROLLER			
8	6LS01990000	SPACER			
9	6LS02112000	TIMING PULLEY:DRIVE:GATHERING ROLLER:T30/T20:ASY			
10	6LS02114000	TIMING PULLEY:DRIVE:GATHERING ROLLER:T18			
11	6LS02111000	TIMING BELT:B40S2M92			
12	6LS02343000	STAY:UNIFORM:ASS'Y			
13	6LS02124000	CAM:LEVER:DRIVE			
14	6LS02117000	TIMING BELT:B40S2M116			
15	6LS02370000	CAM:GATHERING ROLLER			
16	6LS02122000	BRACKET:SENSOR:PAPER SENSER			
17	6LS01950000	PHOTOINTERRUPTOR:FLAT			
18	6LS02349000	HARNESS:SURFACE OF PAPER SENSOR			
19	6LS02123000	BRACKET:HOME POSITION SENSOR:CAM:GATHERING ROLLER			
20	6LS02276000	STEPPER MOTOR:MM42:S2M:T15:ASS'Y			
21	6LS02265000	HARNESS:DRIVE:SWIVEL:MOTOR			
22	6LS02121000	FEELER:PAPER SENSER			
23	6LS02120000	BRACKET:FEELER:PAPER SENSER			
24	6LS01989000	LEVER:DRIVE:GATHERING ROLLER:INNER BACK			
25	6LS01987000	TIMING BELT:B40S2M100			
26	6LS01985000	PULLEY:DRIVE:ROLLER:SPONGE			
27	6LS02113000	SHAFT:GATHERING ROLLER:DRIVE:ASS'Y			
28	6LS01986000	PULLEY:DRIVEN:ROLLER:SPONGE			
29	6LS02357000	GATHERING ROLLER:SPONGE			
30	6LS02115000	LEVER:DRIVEN:GATHERING ROLLER:FRONT			
31	6LS02116000	LEVER:DRIVEN:GATHERING ROLLER:REAR			
32	6LS01988000	LEVER:DRIVE:GATHERING ROLLER:FRONT			
33	6LS01934000	TAPPING SCREW:SCREW			
34	6LS02119000	TENSION SPRING:GATHERING ROLLER:4.4N			
35	6LS02118000	BRACKET:COUPLING:LEVER:DRIVE			
101	6LS01849000	TAPPING SCREW:3X6			
102	6LS01876000	HARNESS CLAMP:ES-0505-2			
103	6LS01865000	RETAINING RINGS-E:4			
104	6LS01872000	BALL BEARING:DIA6XDIA13X5:DIA14.5			
105	6LS01870000	RETAINING RINGS-E:SILENCER:DIA4			
106	6LS01861000	PARALLEL PIN 2X10			
107	6LS01879000	CLAMP:LWS-0511Z			
108	6LS01887000	CLAMP:LBWS-026S-V0			
109	6LS01888000	SWITCH:DE2L-FJ20			

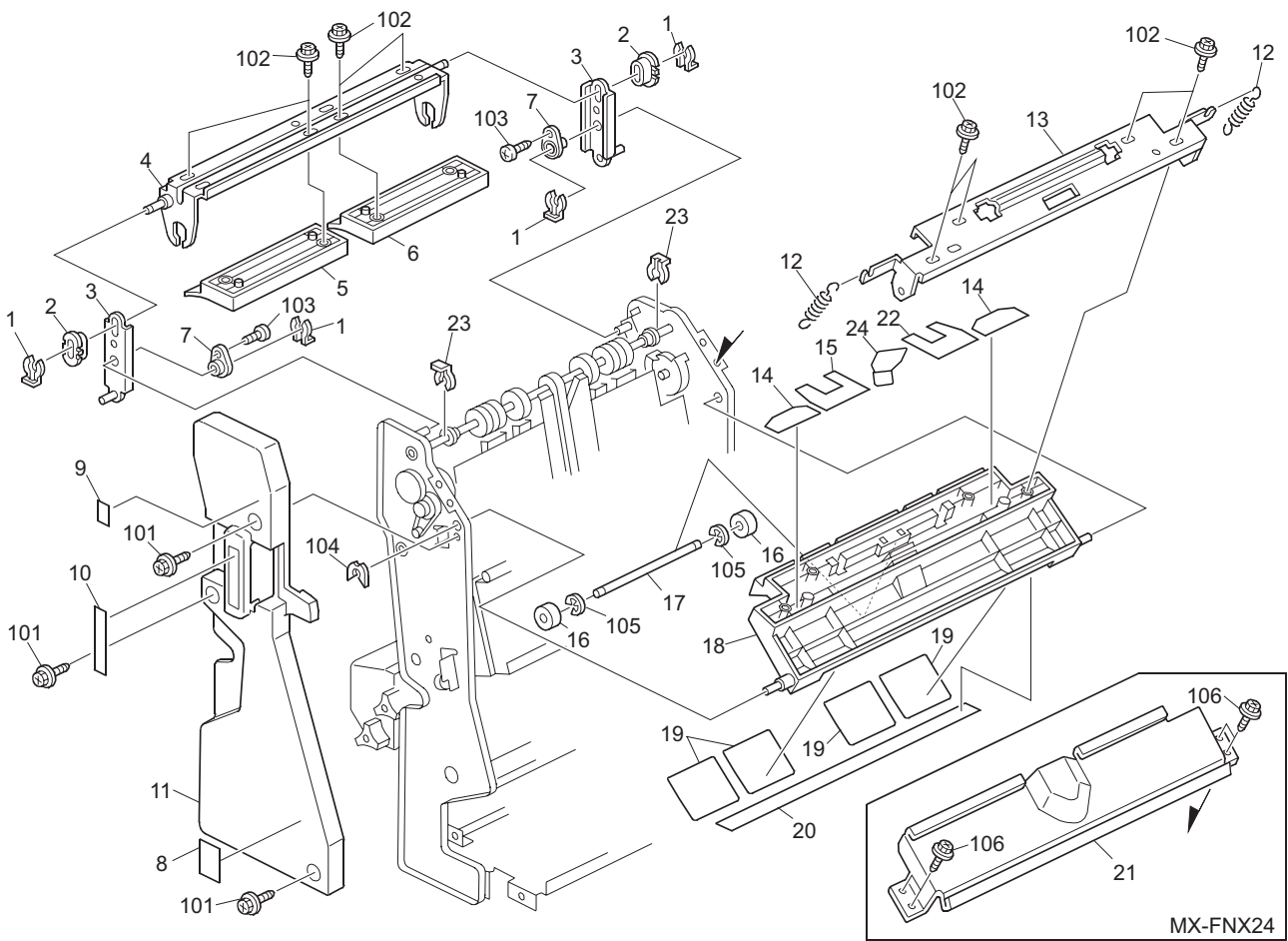




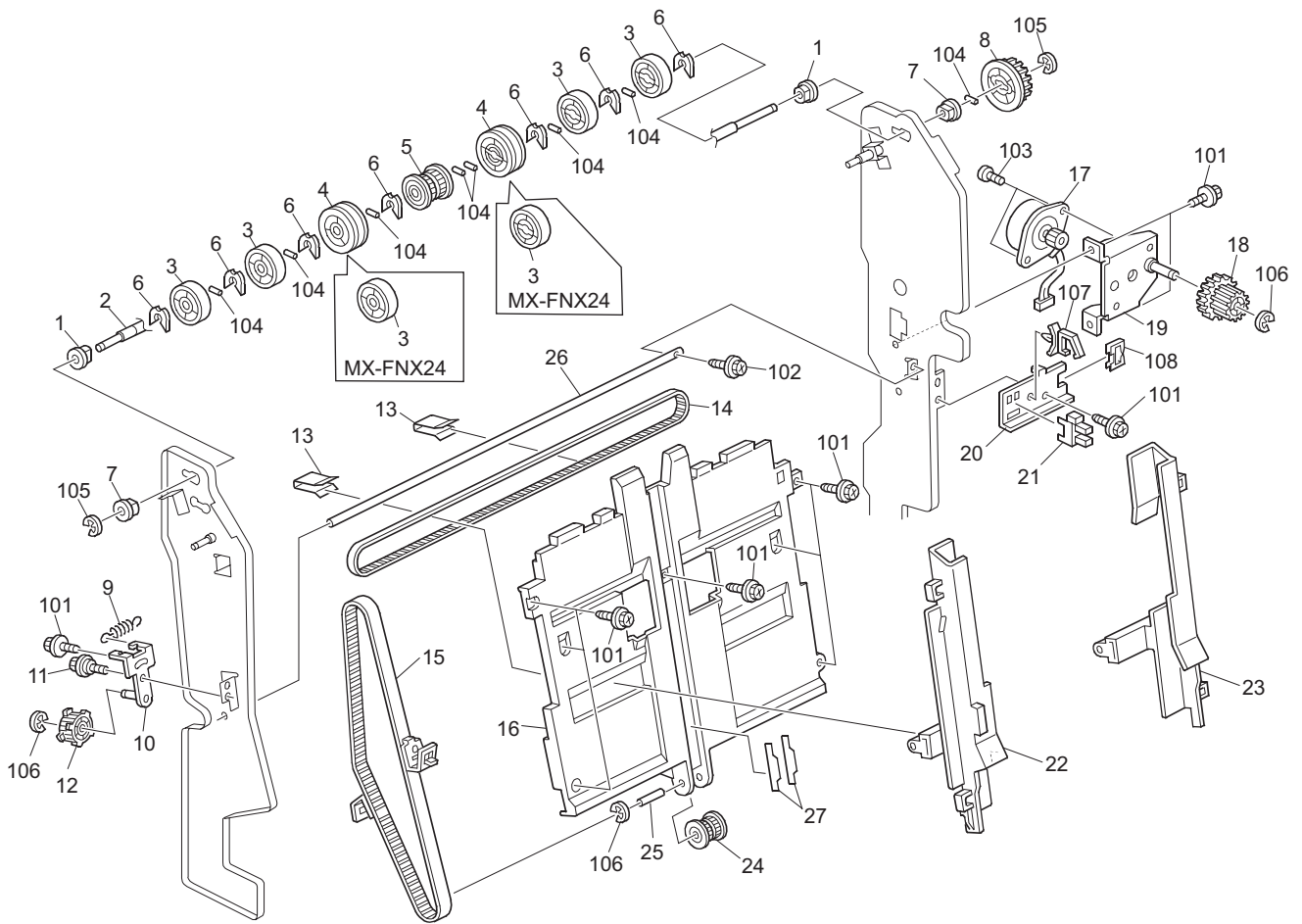




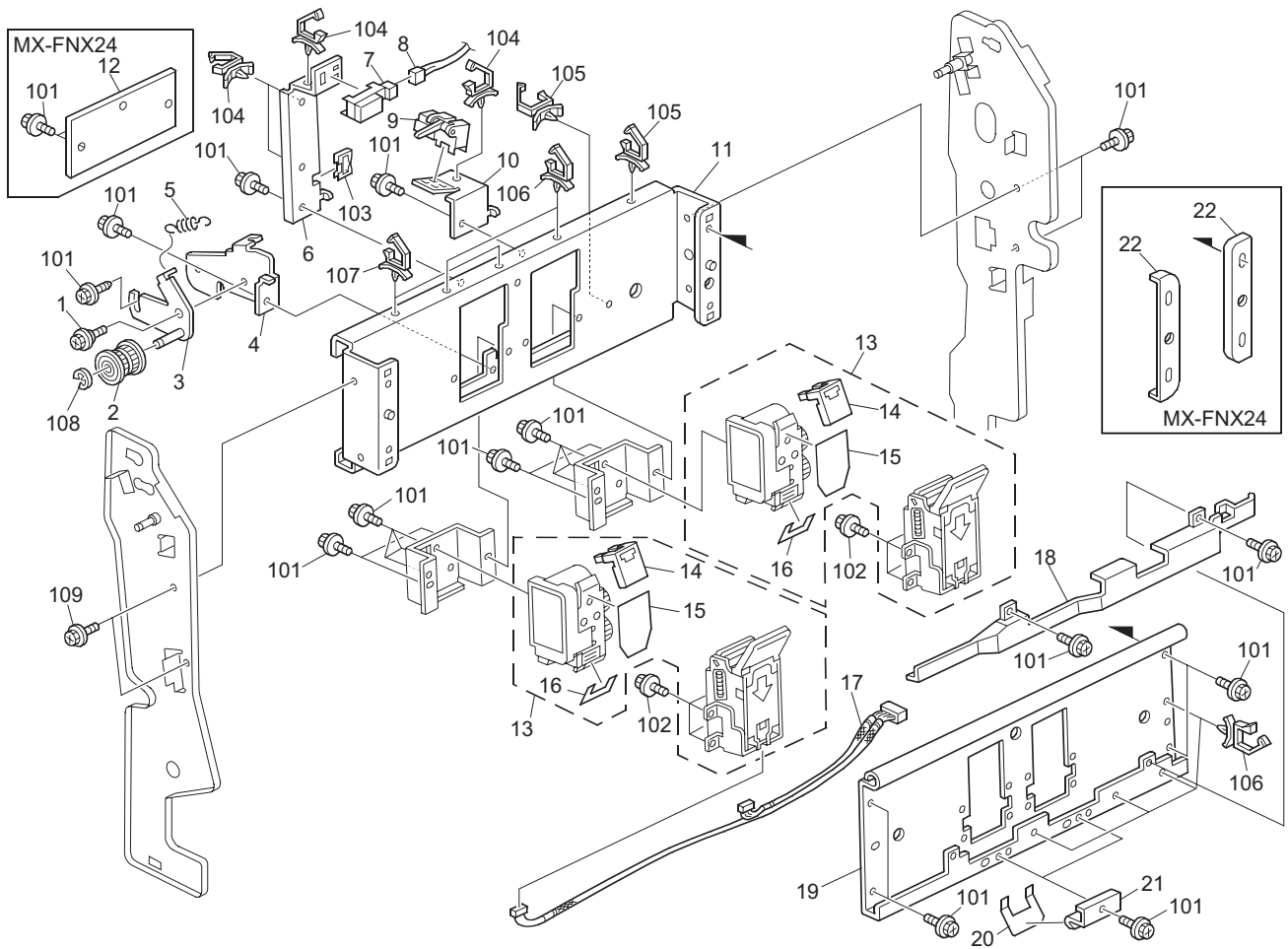
ITEM No.	PART No.	PART NAME	Q'TY / PAGE	Q'TY / PACK	REMARKS
1	6LS02072000	ARM:PLATE:ASS'Y			
2	6LS01902000	ARM CUSHION			
3	6LS02341000	ROLLER:MM28			
4	6LS01894000	SNAP RING			
5	6LS02073000	TENSION SPRING:RELEASE:PLATE			
6	6LS01972000	GATHERING ROLLER:ASS'Y			
7	6LS01971000	PULLEY:T16:P2M			
8	6LS02074000	TIMING BELT:40S2M144			
9	6LS01926000	BUSHING-6X10X9MM			
10	6LS02071000	ARM:GATHERING ROLLER:ASS'Y			
11	6LS01923000	POSITIONING ROLLER SPRING			
12	6LS01935000	LEVER CUSHION			
13	6LS02070000	SHAFT:GATHERING ROLLER:DRIVE			
14	6LS02069000	BRACKET:GATHERING ROLLER			
15	6LS01960000	TIMING PULLEY:S2M:T24			
16	6LS02062000	CUSHION:GATE PAWL			
17	6LS01907000	CUSHION:BRACKET:PAPER FEED BELT			
18	6LS02434000	CUSHION:BRACKET:MOTOR:BASE			
19	6LS02024000	GUIDE:TRAILING EDGE			
20	6LS01901000	CUSHION-BIN SOLENOID LEVER			
21	6LS02388000	DECAL:EXIT:R6			
22	6LS02425000	DISCHARGE BRUSH:EXIT:STAPLER TRAY			
23	6LS02340000	DISCHARGE BRUSH:EXIT:STAPLER TRAY:MIDDLE			
24	6LS02054000	TENSION SPRING:GUIDE PLATE:STAPLER TRAY			
25	6LS02052000	GUIDE PLATE:LOWER:OPEN AND CLOSE			
26	6LS01976000	EXIT ROLLER:DRIVEN			
27	6LS01938000	ROLLER:DRIVEN:L=99			
28	6LS02053000	COMPRESSION SPRING:EXIT:DRIVEN			
29	6LS02082000	SHAFT:CONTACT POINT:SWIVEL			
30	6LS02081000	GUIDE:TRAILING EDGE			
31	6LS02083000	TENSION SPRING:RELEASE:SWIVEL			
32	6LS02084000	ARM:SOLENOID:SWIVEL			
33	6LS02085000	CUSHION:ARM			
34	6LS02080000	STAY:SWIVEL:ASS'Y			
35	6LS02086000	DC SOLENOID:SWIVEL:ASS'Y			
36	6LS01910000	SOUND PUT OUT RUBBER:DC SOLENOID:GATE PAWL			
101	6LS01849000	TAPPING SCREW:3X6			
102	6LS01850000	TAPPING SCREW:3X8			
103	6LS01865000	RETAINING RINGS-E:4			
104	6LS01870000	RETAINING RINGS-E:SILENCER:DIA4			
105	6LS01844000	SCREW:M3X4			
106	6LS01887000	CLAMP:LBWS-026S-V0			





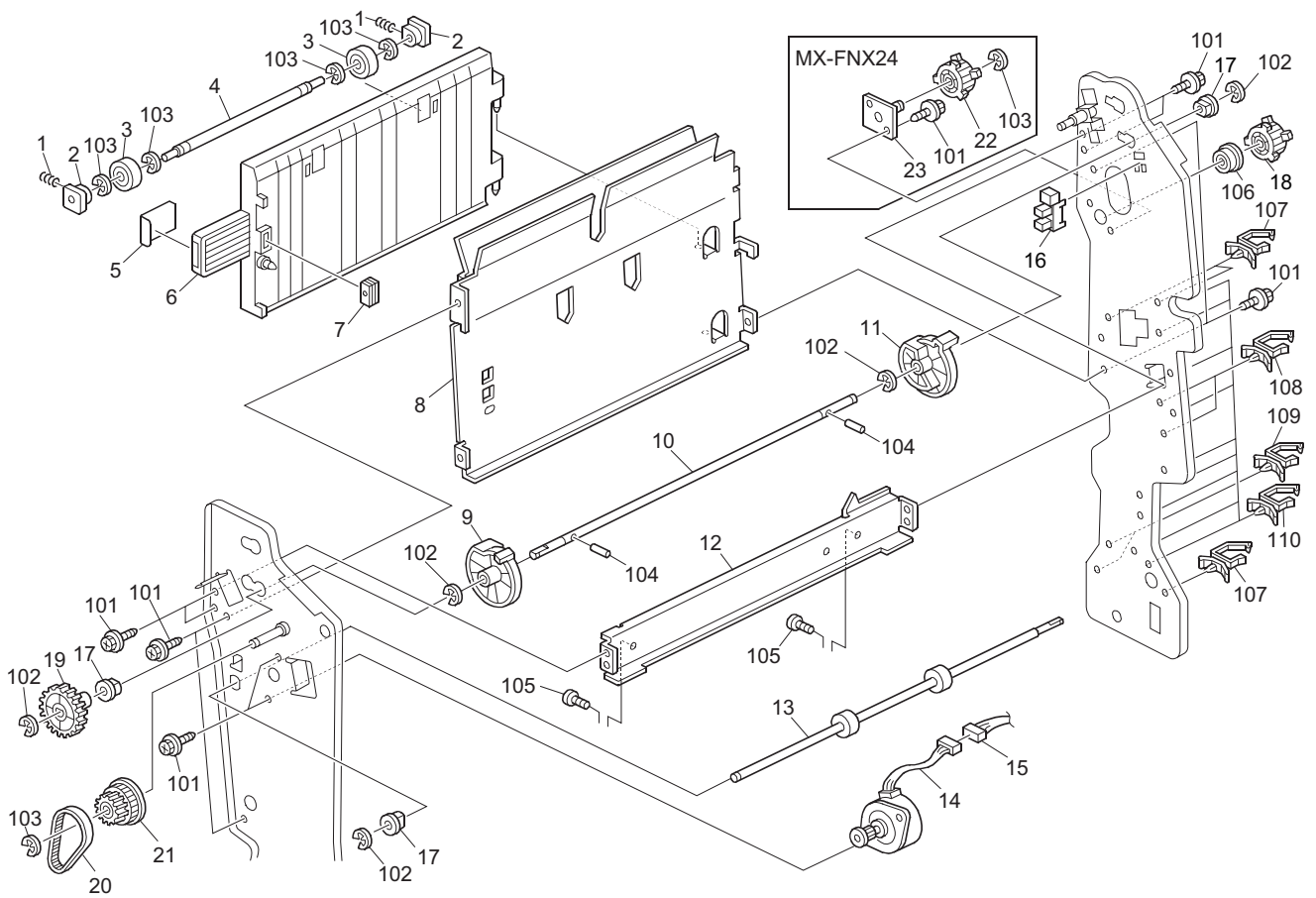




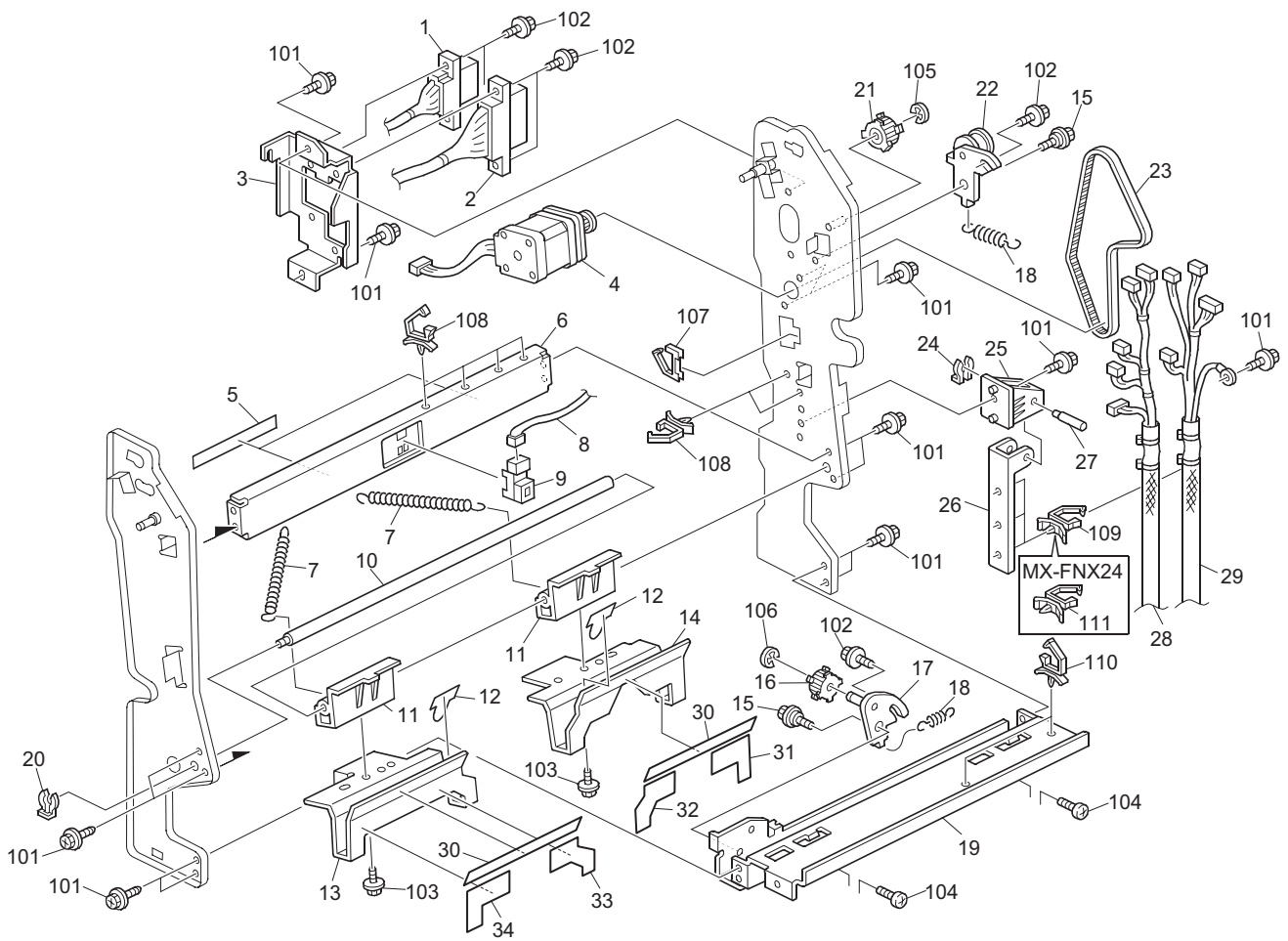




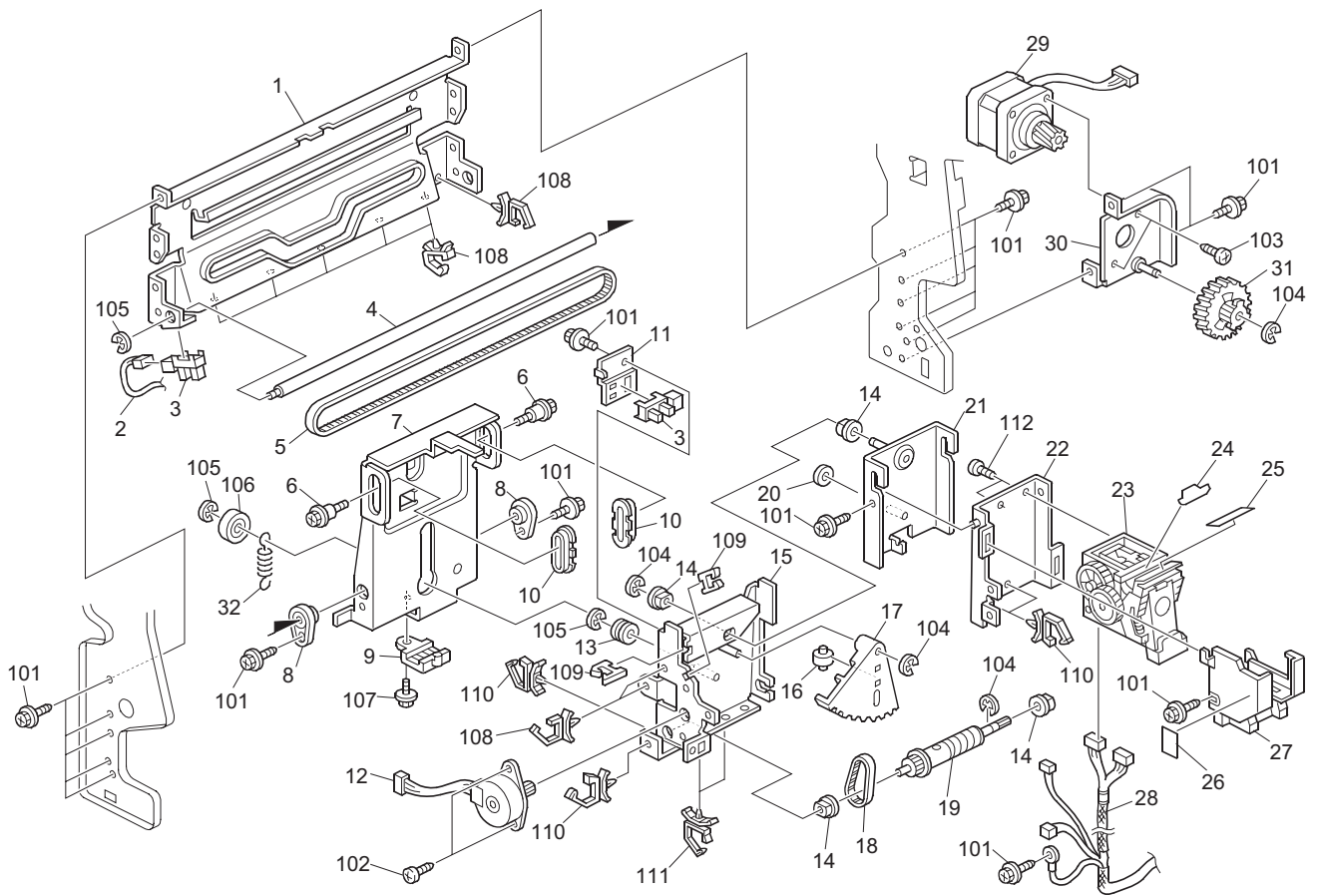




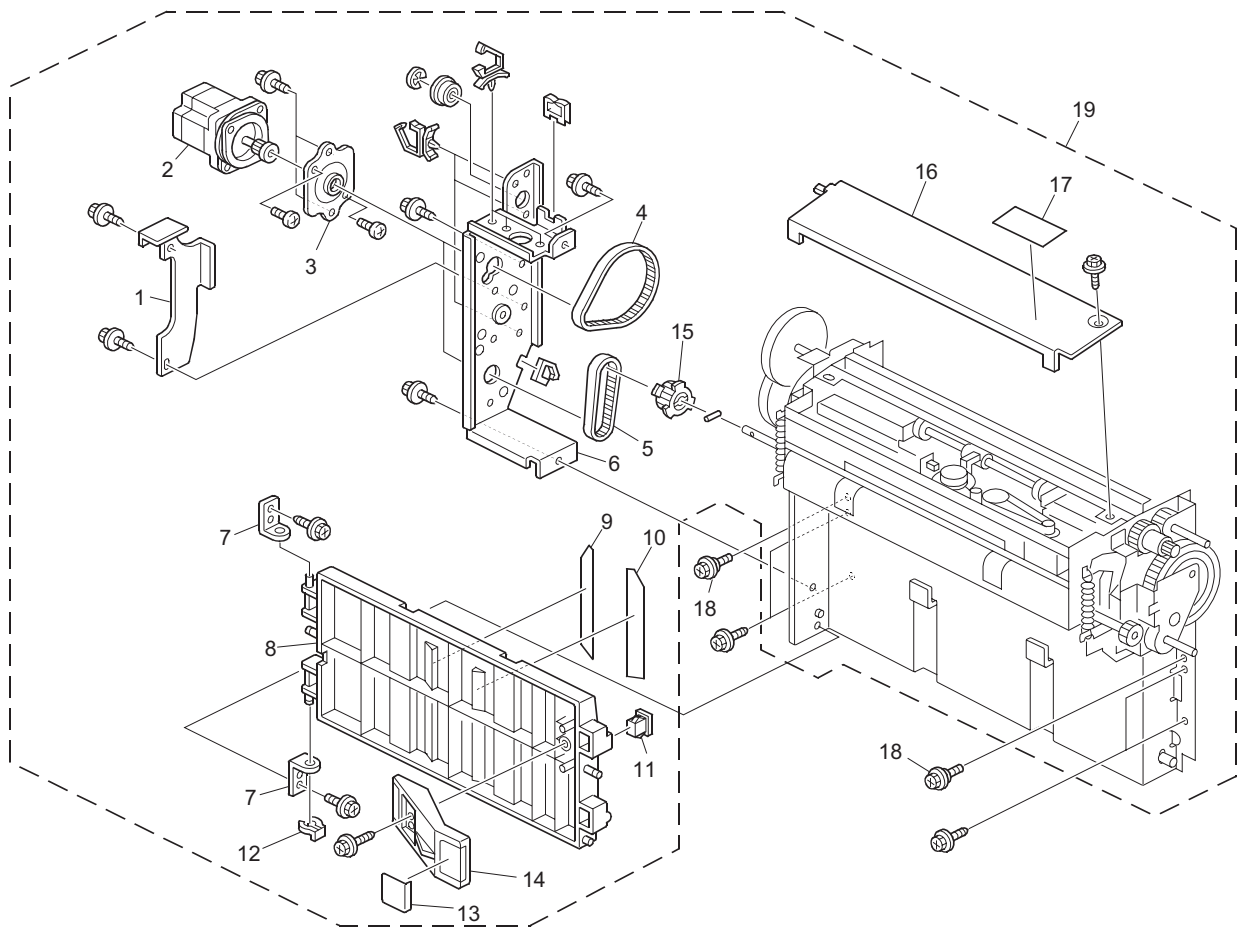




ITEM No.	PART No.	PART NAME	Q'TY / PAGE	Q'TY / PACK	REMARKS
1	6LS02253000	HARNES:CONNNECTING:STAPLER TRAY			
2	6LS02269000	HARNES:STAPLE:MIDDLE:SUB-ASS'Y			
3	6LS02210000	BRACKET:NONNECTOR:STAPLER TRAY:MOVEABLE			
4	6LS02277000	STEPPER MOTOR:EXIT:ASS'Y			
5	6LS02139000	SHEET:SLIDER			
6	6LS02428000	STAY:LOWER:POSITIONING SENSOR			
7	6LS02134000	SPRING:RETURN:STANDARD FENCE			
8	6LS02437000	PHOTO REFLECTION SENSOR:EXIT			
9	6LS02267000	HARNES:CONNECTING:SENSOR			
10	6LS02129000	SHAFT:SLIDER:STANDARD FENCE			
11	6LS02131000	SLIDER:STANDARD FENCE			
12	6LS02132000	GUIDE:ENTRANCE:STAPLER:INNER BACK			
13	6LS02130000	STANDARD FENCE:TRAILING EDGE:FRONT:STAPLE			
14	6LS02133000	STANDARD FENCE:TRAILING EDGE:REAR:STAPLE			
15	6LS01933000	SCREW:CONTACT POINT			
16	6LS01936000	IDLER-20Z			
17	6LS02164000	BRACKET:TIGHTENER:STAPLER:ASS'Y			
18	6LS02002000	TENSION SPRING:TENSION:PRESSURE			
19	6LS02138000	STAY:LOWER:SLIDE RAIL			
20	6LS01894000	SNAP RING			
21	6LS02158000	TIMING PULLEY:IDLER:ASS'Y			
22	6LS01957000	TIGHTENER:SHORT:ASS'Y			
23	6LS02159000	TIMING BELT:DRIVE:EXIT			
24	6LS01892000	SNAP RING			
25	6LS02207000	HOLDER:ARM:HARNES			
26	6LS02208000	ARM:HARNES:STAPLER UNIT			
27	6LS02209000	PIN:FIX:ARM			
28	6LS02375000	HARNES:STAPLE:CONNECTING:MOTOR			
29	6LS02251000	HARNES:CONNECTING:MOTOR:STAPLER UNIT			
30	6LS02397000	STANDARD FENCE:STAPLE:SUPPORT			
31	6LS02401000	STANDARD FENCE:REAR:INNER BACK:STAPLE:SUPPORT			
32	6LS02399000	STANDARD FENCE:REAR:STAPLE:SUPPORT			
33	6LS02398000	STANDARD FENCE:FRONT:INNER BACK:STAPLE:SUPPORT			
34	6LS02400000	STANDARD FENCE:FRONT:STAPLE:SUPPORT			
101	6LS01849000	TAPPING SCREW:3X6			
102	6LS01850000	TAPPING SCREW:3X8			
103	6LS01847000	TAPPING SCREW:3X8			
104	6LS01855000	BINDING SELF TAPPING SCREW:3X6			
105	6LS01865000	RETAINING RINGS-E:4			
106	6LS01866000	RETAINING RINGS-E:6			
107	6LS01877000	EDGE SADDLE:EDS-17L			
108	6LS01887000	CLAMP:LBWS-026S-V0			
109	6LS01880000	CLAMP:LWS-1211Z			
110	6LS01879000	CLAMP:LWS-0511Z			
111	6LS01883000	CLAMP:LWS-0711Z			

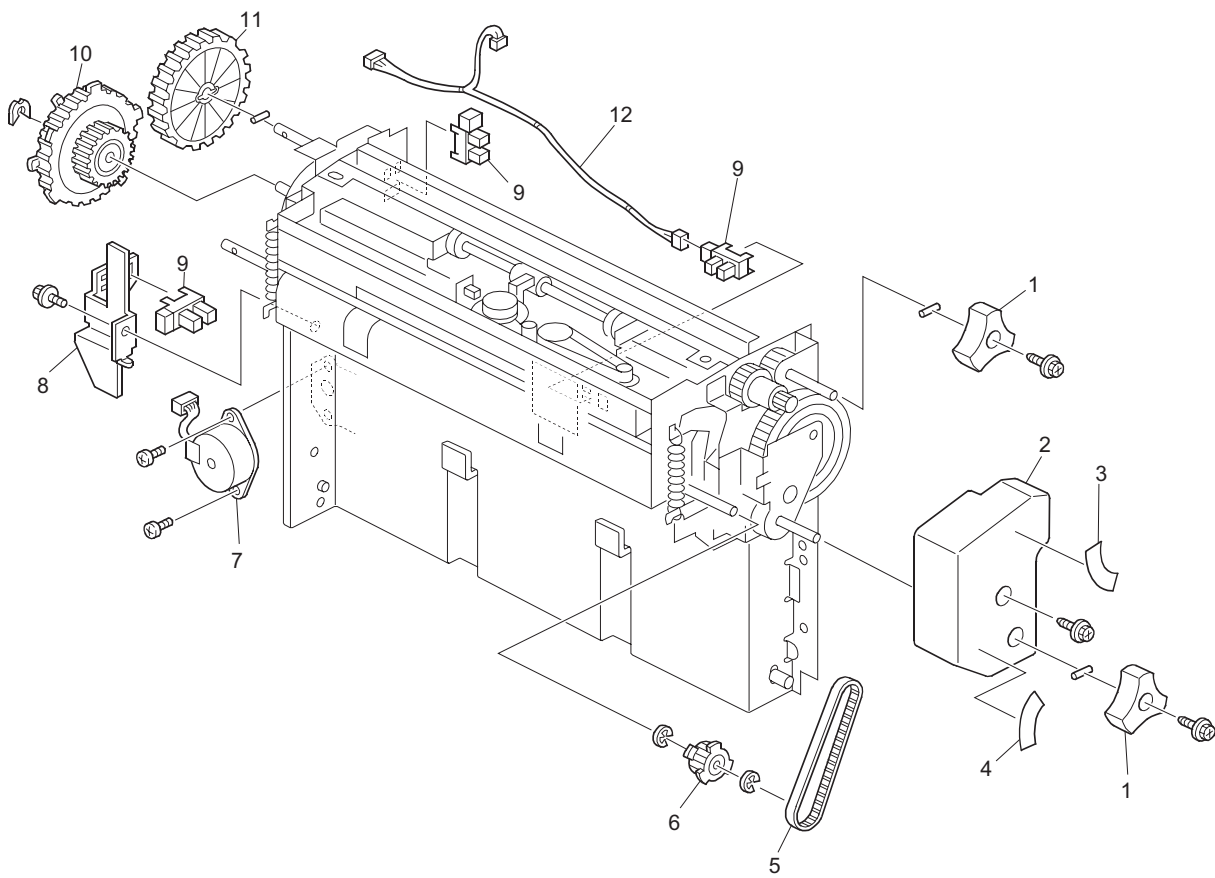


ITEM No.	PART No.	PART NAME	Q'TY / PAGE	Q'TY / PACK	REMARKS
1	6LS02137000	STAY:GUIDE:STAPLER:MOVE			
2	6LS02257000	HARNESS:CONNECTING:SENSOR			
3	6LS01950000	PHOTOINTERRUPTOR:FLAT			
4	6LS02161000	SHAFT:GUIDE:STAPLER			
5	6LS02175000	TIMING BELT:B60S3M954			
6	6LS01932000	SCREW:PIN:POSITIONING			
7	6LS02172000	BRACKET:STAPLER:MOVE:FRONT REAR:ASSY			
8	6LS01966000	BUSHING:SLIDE:STAPLER			
9	6LS01956000	SLIDE BELT HOLDER-STAPLER			
10	6LS02174000	GUIDE:SLIDE:STAPLER			
11	6LS02169000	BRACKET:SENSOR:DIAGONAL SLANTED			
12	6LS02271000	STEPPER MOTOR:ASS'Y			
13	6LS02173000	ROLLER:GUIDE:SLIDE:STAPLER			
14	6LS01927000	PLAIN SHAFT BEARING:DIA6			
15	6LS02430000	BRACKET:STAPLER:SLIDE:ASS'Y			
16	6LS01899000	ORIGINAL PRESSURE ROLLER			
17	6LS01921000	GEAR:SECTOR:DIAGONAL SLANTED:STAPLER			
18	6LS02171000	TIMING BELT:B40S2M90			
19	6LS02170000	WORM GEAR:PULLEY:T19			
20	6LS01929000	SPACER-M6			
21	6LS02168000	BRACKET:STAPLER:TURN:ASS'Y			
22	6LS02167000	BRACKET:FIX:STAPLER:ASS'Y			
23	6LS01944000	STAPLER:EH-530			
24	6LS02166000	GUIDE:STAPLER:ENTRANCE:LOWER			
25	6LS02165000	GUIDE:STAPLER:ENTRANCE:UPPER			
26	6LS02395000	DECAL:STAPLER:S1			
27	6LS02176000	INNER COVER:STAPLER			
28	6LS02256000	HARNESS:CONNECTING:STAPLER			
29	6LS02278000	STEPPER MOTOR:STAPLER:MOVEABLE:ASS'Y			
30	6LS02162000	BRACKET:DRIVE:STAPLER:MOVE:ASS'Y			
31	6LS02163000	GEAR:Z52/T20			
32	6LS02177000	TENSION SPRING:BALANCER:STAPLER:MIDDLE			
101	6LS01849000	TAPPING SCREW:3X6			
102	6LS01846000	SCREW:M3X6			
103	6LS01845000	SCREW:M3X5			
104	6LS01865000	RETAINING RINGS-E:4			
105	6LS01866000	RETAINING RINGS-E:6			
106	6LS01867000	BALL BEARING:DIA8XDIA22X7			
107	6LS01850000	TAPPING SCREW:3X8			
108	6LS01887000	CLAMP:LBWS-026S-V0			
109	6LS01876000	HARNESS CLAMP:ES-0505-2			
110	6LS01879000	CLAMP:LWS-0511Z			
111	6LS01884000	CLAMP:LWSM-0511			
112	6LS01855000	BINDING SELF TAPPING SCREW:3X6			

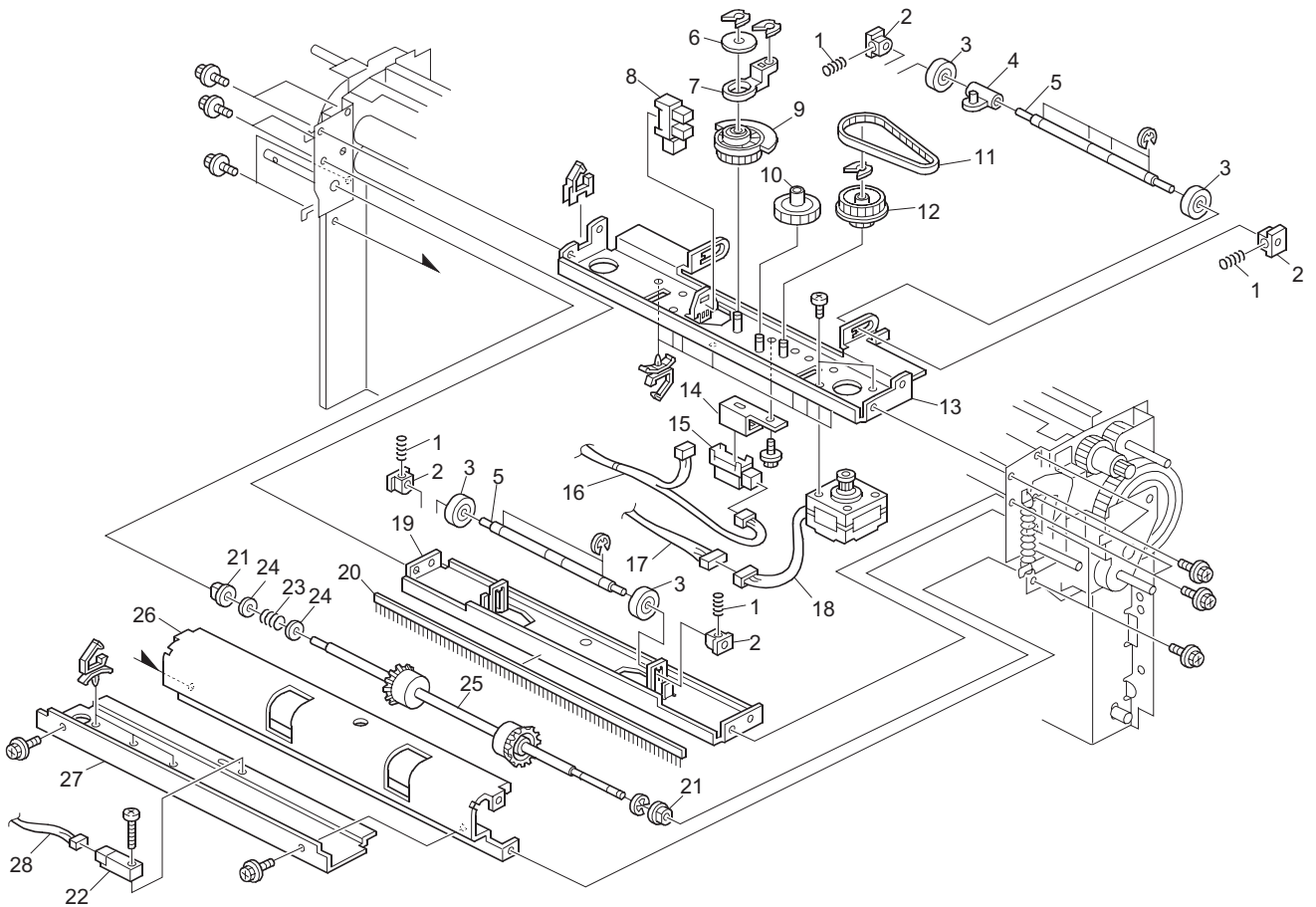




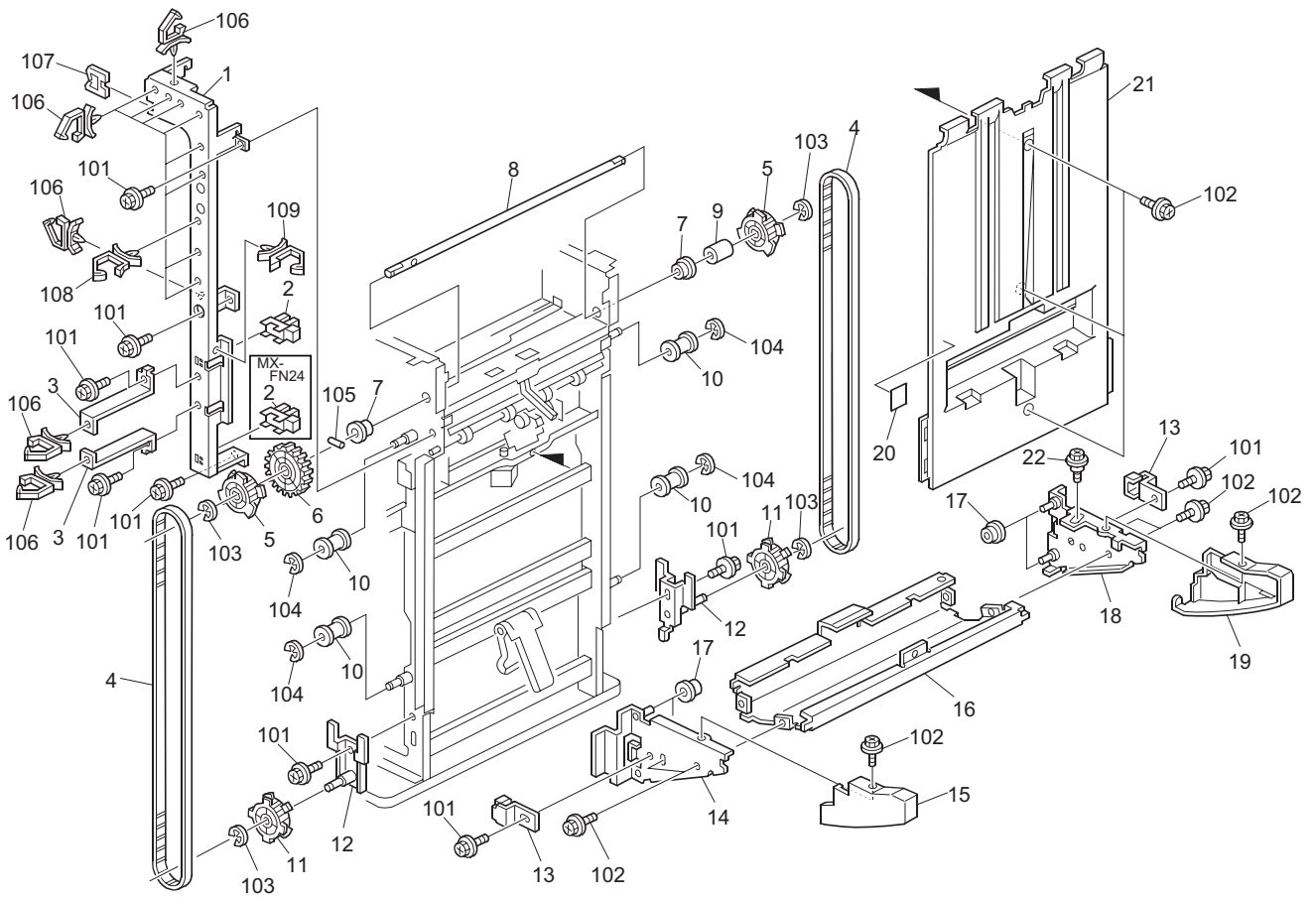




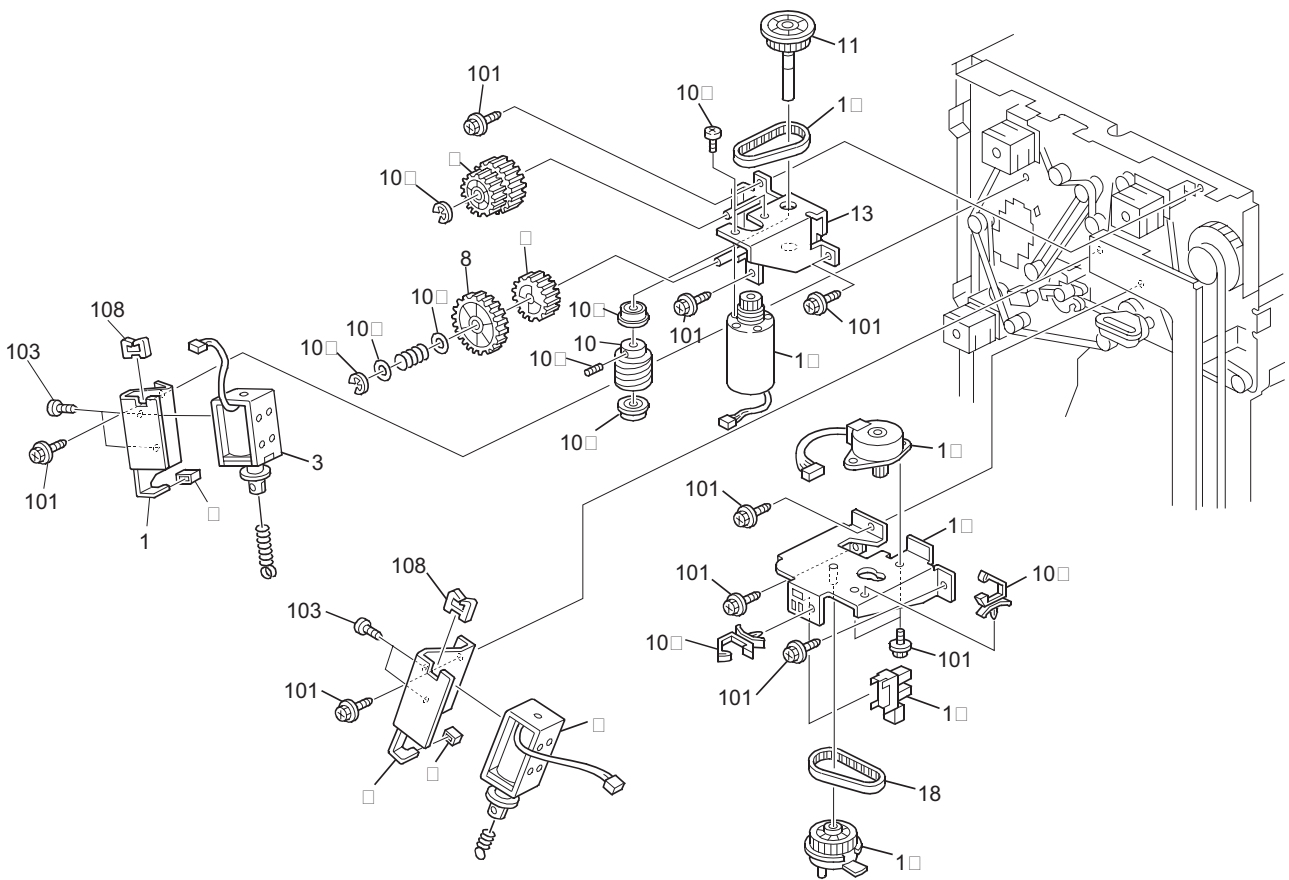
ITEM No.	PART No.	PART NAME	Q'TY / PAGE	Q'TY / PACK	REMARKS
1	6LS02372000	KNOB::PAPER CRIMP SUB-UNIT			
2	6LS02243000	INNER COVER:PAPER CRIMP SUB-UNIT			
3	6LS02391000	DECAL:KNOB:ROLLER:R9			
4	6LS02390000	DECAL:KNOB:BLADE:R8			
5	6LS02215000	TIMING BELT:B40S2M214			
6	6LS02214000	PULLEY:EXIT			
7	6LS02274000	STEPPER MOTOR:DIA42:Z17:ASS'Y			
8	6LS02221000	BRACKET:HOME POSITION SENSOR:BLADE:PAPER			
9	6LS01950000	PHOTOINTERRUPTOR:FLAT			
10	6LS02223000	PULLEY:SLOW DOWN:ROLLER:PAPER CRIMP SUB-UNIT			
11	6LS02222000	GEAR:IDLER:SLOW DOWN:ROLLER			
12	6LS02262000	HARNESS:SENSOR:PLATE:END FENCE			



ITEM No.	PART No.	PART NAME	Q'TY / PAGE	Q'TY / PACK	REMARKS
1	6LS02219000	COMPRESSION SPRING:TRANSPORT ROLLER			
2	6LS01925000	BUSHING:ROLLER:DRIVEN			
3	6LS01984000	EXIT ROLLER:DRIVEN			
4	6LS02230000	SHAFT:DRIVEN:RELEASE:PAPER CRIMP SUB-UNIT			
5	6LS02218000	SHAFT:DRIVEN:PAPER CRIMP SUB-UNIT			
6	6LS02235000	SPACER:RELEASE:TRANSPORT:PAPER CRIMP SUB-UNIT			
7	6LS02234000	JOINT:RELEASE:TRANSPORT:PAPER CRIMP SUB-UNIT			
8	6LS01950000	PHOTOINTERRUPTOR:FLAT			
9	6LS02231000	CAM:RELEASE:TRANSPORT:PAPER CRIMP SUB-UNIT			
10	6LS02232000	GEAR:IDLER:TRANSPORT:RELEASE:PAPER CRIMP SUB-UNIT			
11	6LS02215000	TIMING BELT:B40S2M214			
12	6LS02233000	GEAR:SLOW DOWN:TRANSPORT:RELEASE			
13	6LS02229000	STAY:RELEASE:TRANSPORT:PEEN			
14	6LS02236000	BRACKET:PAPER FEED SENSOR:PAPER CRIMP SUB-UNIT			
15	6LS02437000	PHOTO REFLECTION SENSOR:EXIT			
16	6LS02261000	HARNESS:SIDE PLATE:CONNECTING:SENSOR			
17	6LS02265000	HARNESS:DRIVE:SWIVEL:MOTOR			
18	6LS02279000	STEPPER MOTOR:MM39:S2M:T15:ASS'Y			
19	6LS02217000	GUIDE PLATE:EXIT:UPPER:PAPER CRIMP SUB-UNIT			
20	6LS02435000	DISCHARGE BRUSH:EXIT			
21	6LS01927000	PLAIN SHAFT BEARING:DIA6			
22	6LS01947000	PHOTO REFLECTION SENSOR:PS117ED1			
23	6LS02212000	COMPRESSION SPRING:TORQUE LIMITER			
24	6LS01931000	SPACER:DIA6			
25	6LS02213000	EXIT ROLLER:PAPER CRIMP SUB-UNIT			
26	6LS02216000	GUIDE PLATE:EXIT:LOWER:PAPER CRIMP SUB-UNIT			
27	6LS02220000	GUIDE PLATE:ROLLER:LOWER:PAPER CRIMP SUB-UNIT			
28	6LS02263000	HARNESS:CONNECTING:SENSOR			

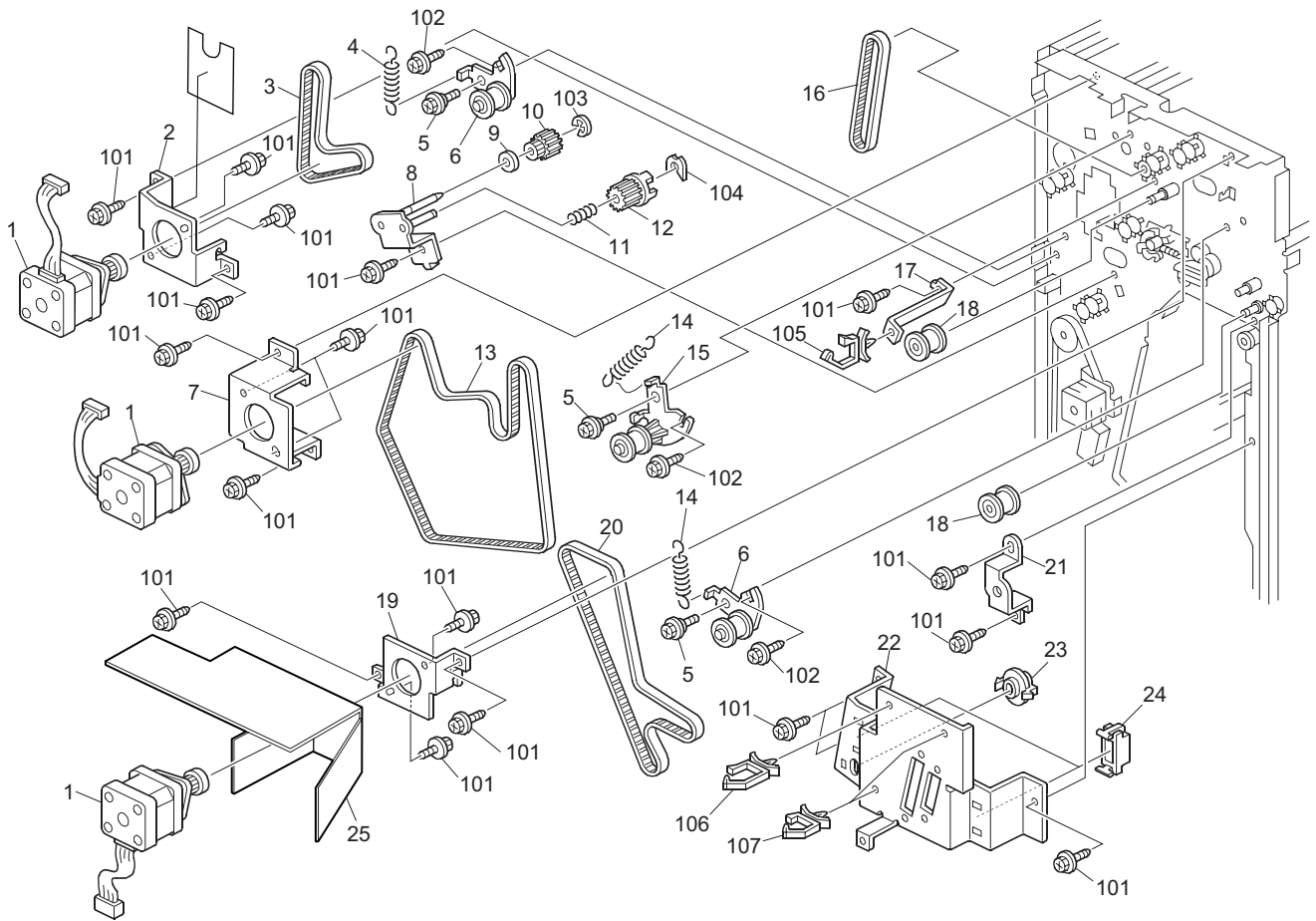


ITEM No.	PART No.	PART NAME	Q'TY / PAGE	Q'TY / PACK	REMARKS
1	6LS02427000	BRACKET:SENSOR:PAPER VOLUME SENSOR			
2	6LS01949000	PHOTOINTERRUPTOR:FLAT:7MM			
3	6LS01979000	BRACKET:FIX:HARNESS			
4	6LS02108000	TIMING BELT:B60S5M1530			
5	6LS01919000	TIMING PULLEY:T18:S5M:DRIVE			
6	6LS01917000	GEAR:Z42			
7	6LS02358000	BUSHING-10X14X5.9			
8	6LS01916000	SHAFT:UPPER LOWER:DRIVE			
9	6LS01918000	SPACER			
10	6LS01903000	IDLE PULLEY			
11	6LS02107000	TIMING PULLEY:T22:S5M:DRIVEN			
12	6LS02106000	TIGHTENER:TRAY:DRIVE:ASS'Y			
13	6LS01915000	TIMING BELT STOPPER			
14	6LS02110000	SIDE PLATE:TRAY:INNER BACK:ASS'Y			
15	6LS02423000	COVER:TRAY:SUPPORT:REAR			
16	6LS02431000	BASE:TRAY			
17	6LS01900000	SHIFT GUIDE ROLLER			
18	6LS02109000	SIDE PLATE:TRAY:FRONT:ASS'Y			
19	6LS02422000	COVER:TRAY:SUPPORT:FRONT			
20	6LS02325000	DECAL:PAPER EXIT SUB-UNIT			
21 A	6LS02402000	END FENCE:BIND:NO			MX-FN24
21 B	6LS02369000	END FENCE:BIND:YES			MX-FN25
22	6LS01932000	SCREW:PIN:POSITIONING			
101	6LS01849000	TAPPING SCREW:3X6			
102	6LS01850000	TAPPING SCREW:3X8			
103	6LS01866000	RETAINING RINGS-E:6			
104	6LS01865000	RETAINING RINGS-E:4			
105	6LS01863000	PARALLEL PIN 4X20			
106	6LS01880000	CLAMP:LWS-1211Z			
107	6LS01876000	HARNESS CLAMP:ES-0505-2			
108	6LS01882000	CLAMP:LWS-2218Z			
109	6LS01887000	CLAMP:LBWS-026S-V0			

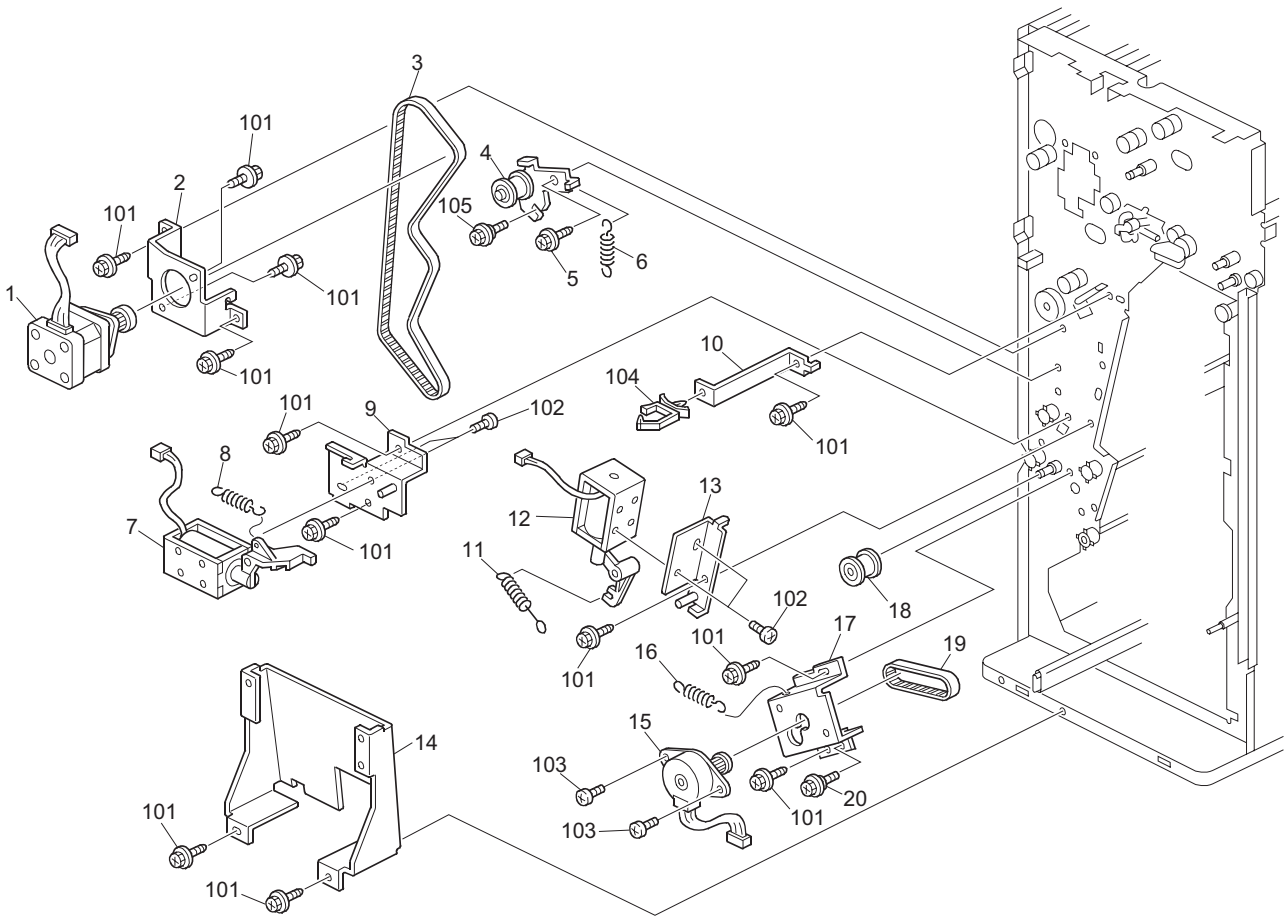


ITEM No.	PART No.	PART NAME	Q'TY / PAGE	Q'TY / PACK	REMARKS
1	6LS02061000	BRACKET:DCSOL:GATE PAWL:STAPLE			
2	6LS01910000	SOUND PUT OUT RUBBER:DC SOLENOID:GATE PAWL			
3	6LS02065000	DC SOLENOID:GATE PAWL:STAPLE:ASS'Y			
4	6LS02060000	BRACKET:DCSOL:GATE PAWL:PROOF TRAY			
5	6LS02068000	DC SOLENOID:GATE PAWL:PROOF TRAY:ASS'Y			
6	6LS01914000	WORM WHEEL:Z36:GEAR:Z18			
8	6LS01913000	GEAR:Z30			
9	6LS01912000	GEAR:Z18			
10	6LS01895000	WORM GEAR			
11	6LS01920000	SHAFT:PULLEY:T48:P2M			
12	6LS02105000	TIMING BELT:B40S2M152			
13	6LS02104000	BRACKET:DRIVE:TRAY:ASS'Y			
14	6LS01952000	DC MOTOR:25.1W			
15	6LS02282000	STEPPER MOTOR:PM:S2M:T12:ASS'Y			
16	6LS02018000	BRACKET:SHIFT:DRIVE:ASS'Y			
17	6LS01950000	PHOTOINTERRUPTOR:FLAT			
18	6LS02356000	TIMING BELT:B40S2M142			
19	6LS01975000	PULLEY:DRIVE:LINK			
101	6LS01849000	TAPPING SCREW:3X6			
102	6LS01846000	SCREW:M3X6			
103	6LS01844000	SCREW:M3X4			
104	6LS01866000	RETAINING RINGS-E:6			
105	6LS01873000	SPACER:DIA8.1/DIA14			
106	6LS01860000	SET SCREW:CONE CUP POINT:M4X4			
107	6LS01868000	BALL BEARING:DIA6XDIA12X4			
108	6LS01876000	HARNES CLAMP:ES-0505-2			
109	6LS01887000	CLAMP:LBWS-026S-V0			

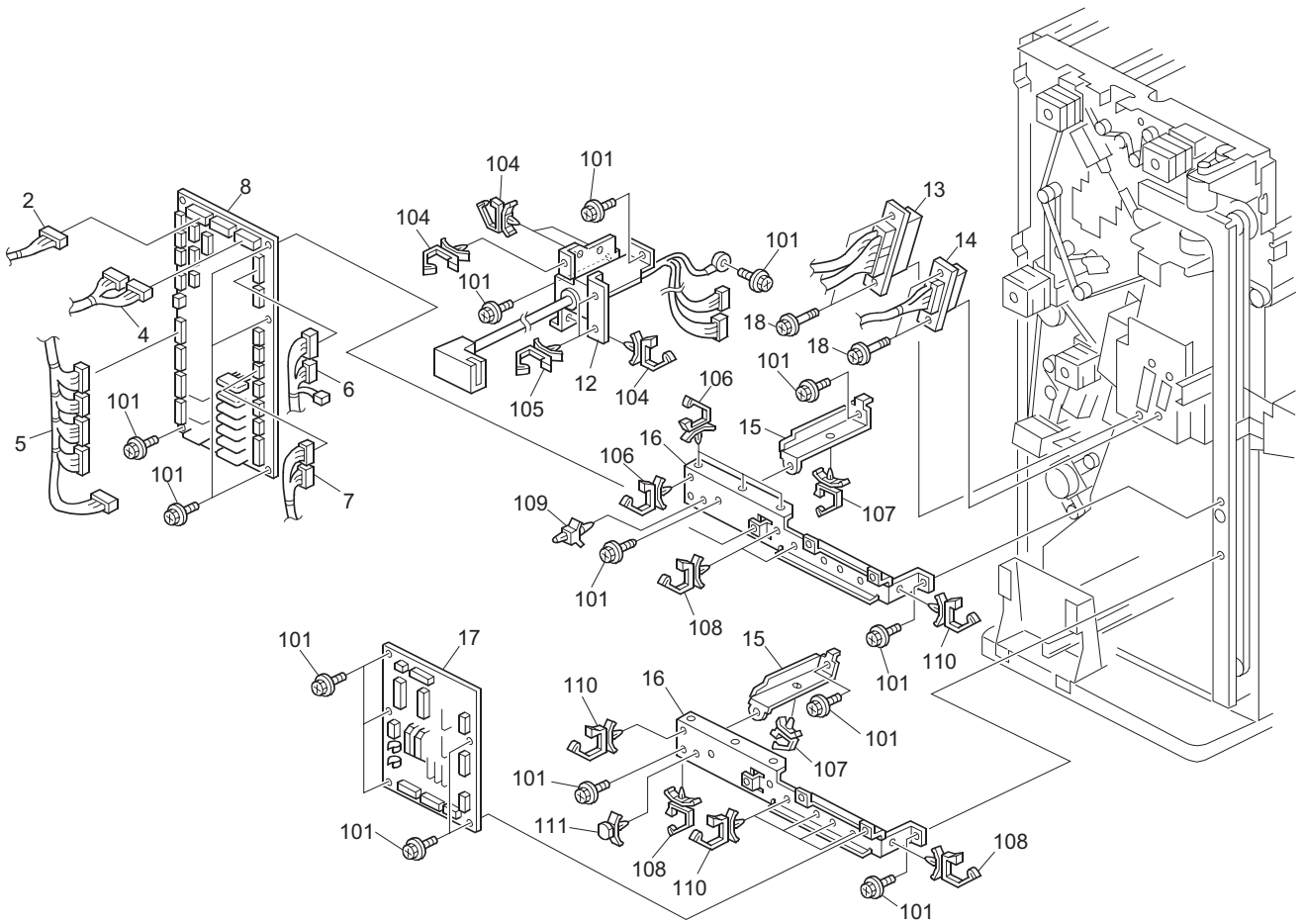




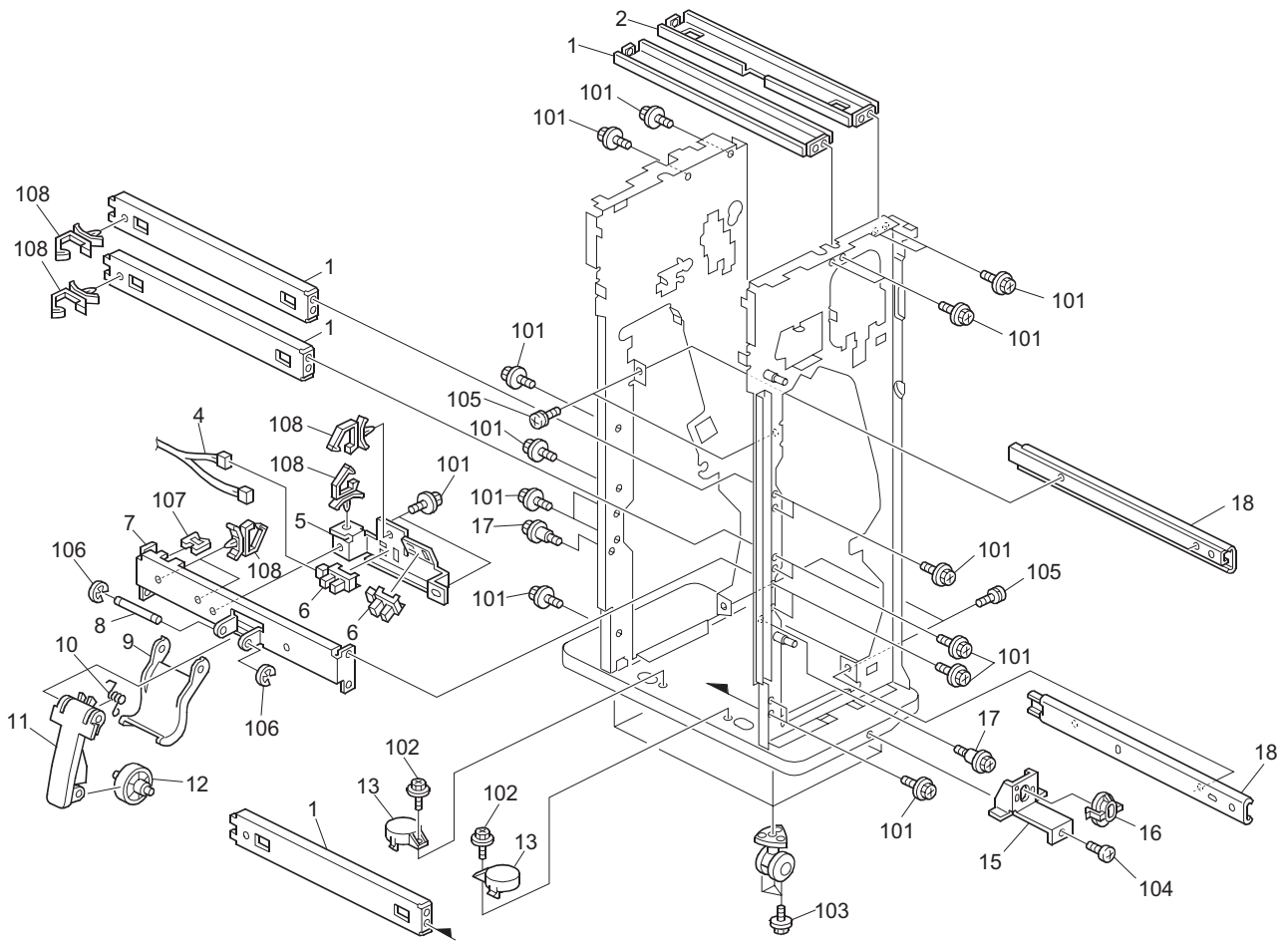
ITEM No.	PART No.	PART NAME	Q'TY / PAGE	Q'TY / PACK	REMARKS
1	6LS02351000	STEPPER MOTOR:MM42:S3M:T14:ASS'Y			
2	6LS02003000	BRACKET:STEPPER MOTOR:TRANSPORT			
3	6LS02006000	TIMING BELT:40S3M384			
4	6LS02004000	TENSION SPRING:TENSION:PRESSURE:ENTRANCE			
5	6LS01933000	SCREW:CONTACT POINT			
6	6LS01957000	TIGHTENER:SHORT:ASS'Y			
7	6LS02012000	BRACKET:STEPPER MOTOR:TRANSPORT:HORIZONTAL			
8	6LS02008000	BRACKET:PULLEY:PUNCH:MOVE:ASS'Y			
9	6LS01930000	SPACER-5.7X16X1.5			
10	6LS02009000	GEAR:TRANSMISSION:PUNCH:Z14/T14			
11	6LS02011000	COMPRESSION SPRING:JOINT:PUNCH:DRIVE			
12	6LS02010000	GEAR:PUNCH:MOVE:TRANSMISSION			
13	6LS02017000	TIMING BELT:B40S3M927			
14	6LS02002000	TENSION SPRING:TENSION:PRESSURE			
15	6LS01958000	TIGHTENER:LONG:ASS'Y			
16	6LS02007000	TIMING BELT:B40S3M303			
17	6LS01979000	BRACKET:FIX:HARNESS			
18	6LS01959000	ROLLER:TENSIONER			
19	6LS02101000	BRACKET:STEPPER MOTOR:EXIT			
20	6LS02103000	TIMING BELT:B40S3M648			
21	6LS02102000	BRACKET:SUPPORT:STUD:RETURN			
22	6LS01994000	BRACKET:CONNECTOR:STAPLER TRAY			
23	6LS01996000	HOLDER:COUPLING:STAPLER UNIT			
24	6LS01943000	MAGNET CATCH:ASS'Y			
25	6LS02360000	HEAT SINK:EXIT ROLLER			
101	6LS01849000	TAPPING SCREW:3X6			
102	6LS01850000	TAPPING SCREW:3X8			
103	6LS01865000	RETAINING RINGS-E:4			
104	6LS01870000	RETAINING RINGS-E:SILENCER:DIA4			
105	6LS01883000	CLAMP:LWS-0711Z			
106	6LS01882000	CLAMP:LWS-2218Z			
107	6LS01881000	CLAMP:LWS-1316Z			



ITEM No.	PART No.	PART NAME	Q'TY / PAGE	Q'TY / PACK	REMARKS
1	6LS02351000	STEPPER MOTOR:MM42:S3M:T14:ASS'Y			
2	6LS02003000	BRACKET:STEPPER MOTOR:TRANSPORT			
3	6LS02020000	TIMING BELT:B40S3M789			
4	6LS01957000	TIGHTENER:SHORT:ASS'Y			
5	6LS01933000	SCREW:CONTACT POINT			
6	6LS02002000	TENSION SPRING:TENSION:PRESSURE			
7	6LS02076000	DC SOLENOID:GATHERING ROLLER:ASS'Y			
8	6LS01896000	RELEASE SPRING			
9	6LS02075000	BRACKET:SOLENOID:GATHERING ROLLER:ASS'Y			
10	6LS01979000	BRACKET:FIX:HARNESS			
11	6LS02079000	TENSION SPRING:SOLENOID:PLATE			
12	6LS02078000	DC SOLENOID:PLATE:ASS'Y			
13	6LS02077000	BRACKET:SOLENOID:PLATE:ASS'Y			
14	6LS02285000	BRACKET:MAIN CONTROL BOARD:LOWER			
15	6LS02273000	STEPPER MOTOR:PM:T17:ASS'Y			
16	6LS02023000	TENSION SPRING:GATHERING ROLLER			
17	6LS02021000	BRACKET:STEPPER MOTOR:GATHERING ROLLER			
18	6LS01959000	ROLLER:TENSIONER			
19	6LS02022000	TIMING BELT:B40S2M134:			
20	6LS02237000	SCREW:CONTACT POINT:M3			
101	6LS01849000	TAPPING SCREW:3X6			
102	6LS01844000	SCREW:M3X4			
103	6LS01855000	BINDING SELF TAPPING SCREW:3X6			
104	6LS01883000	CLAMP:LWS-0711Z			
105	6LS01850000	TAPPING SCREW:3X8			

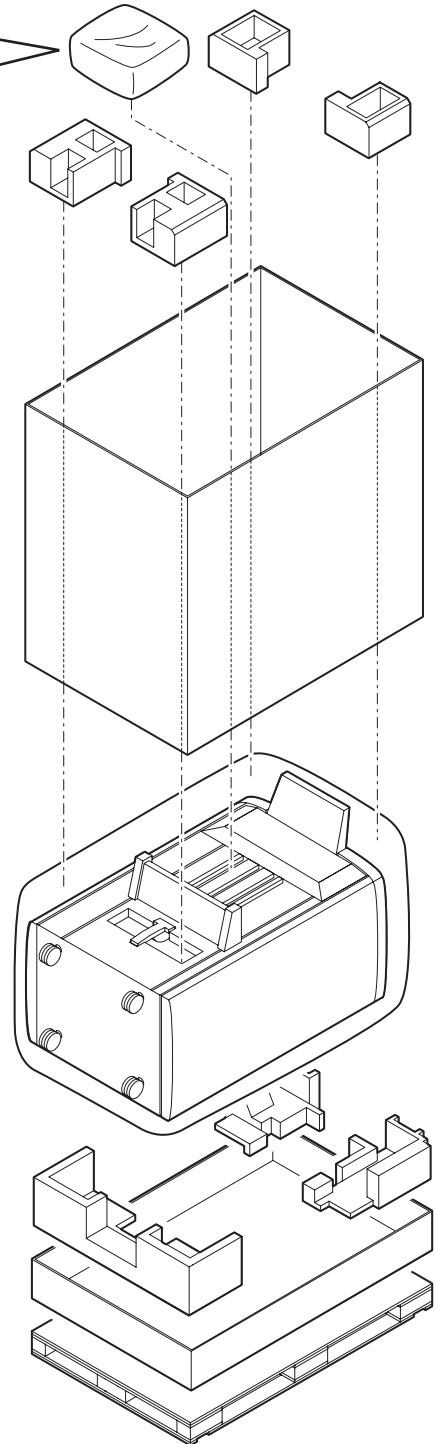
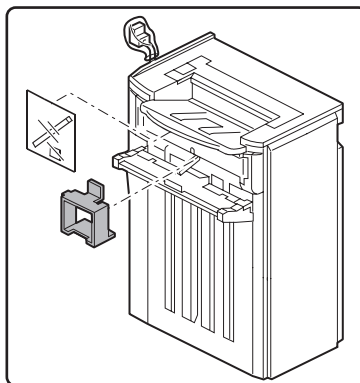
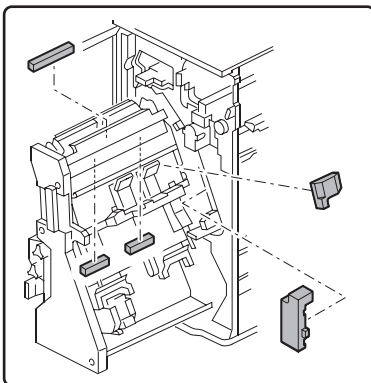
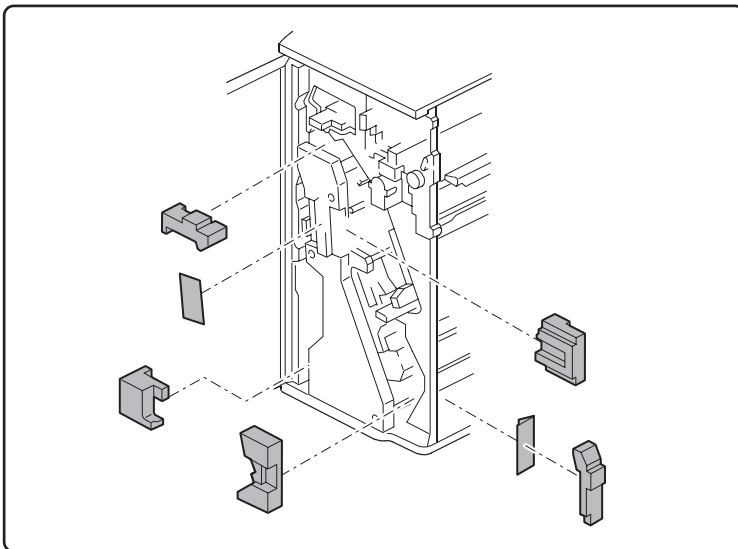
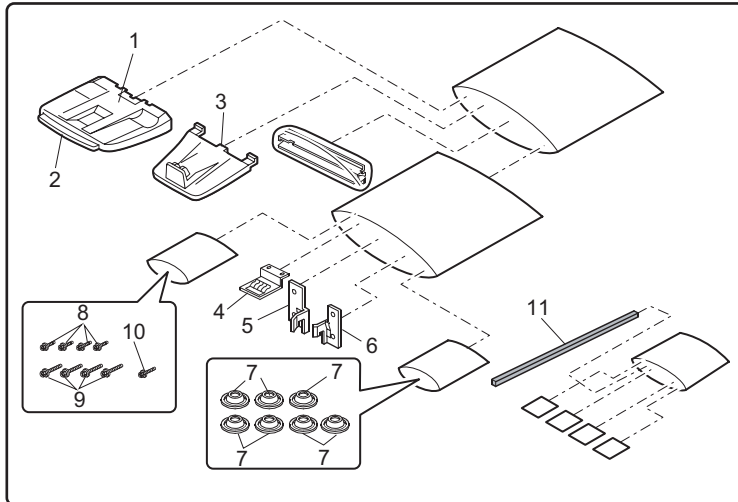


ITEM No.	PART No.	PART NAME	Q'TY / PAGE	Q'TY / PACK	REMARKS
2	6LS02247000	HARNES:ENTRANCE SENSOR			
4	6LS02248000	HARNES:EXIT:TRAY			
5	6LS02373000	HARNES:CONNECTING:STEPPER MOTOR			
6	6LS02259000	HARNES:CONNECTING:STAPLE:BASE			
7	6LS02249000	HARNES:EXIT:TRAY			
8	6LS02415000	PCB:MAIN CONTROL:ASS'Y			
12	6LS02374000	HARNES:INTERFACE:ASS'Y			
13	6LS02268000	HARNES:STAPLE:MIDDLE:SUB-ASS'Y			
14	6LS02252000	HARNES:CONNECTING:STAPLER TRAY UNIT			
15	6LS02284000	BRACKET:PRINTED CIRCUIT BOARD			
16	6LS02283000	STAY:FIX:MAIN CONTROL BOARD			
17	6LS02347000	PCB:STP:CONTROL			
18	6LS01995000	SCREW:CONNECTOR			
101	6LS01849000	TAPPING SCREW:3X6			
102	6LS01852000	TAPPING SCREW:4X6			
104	6LS01884000	CLAMP:LWSM-0511			
105	6LS01879000	CLAMP:LWS-0511Z			
106	6LS01881000	CLAMP:LWS-1316Z			
107	6LS01887000	CLAMP:LBWS-026S-V0			
108	6LS01883000	CLAMP:LWS-0711Z			
109	6LS01875000	LOCKING SUPPORT:4.8MM:V-0			
110	6LS01880000	CLAMP:LWS-1211Z			
111	6LS01878000	CARD SPACER KGPS-3SV0:B			



ITEM No.	PART No.	PART NAME	Q'TY / PAGE	Q'TY / PACK	REMARKS
1	6LS02098000	STAY:COUPLING			
2	6LS02099000	STAY:COUPLING			
4	6LS02350000	HARNESS:CONNECTING:PAPER EXIT SUB-UNIT			
5	6LS02125000	BRACKET:SURFACE OF PAPER SENSOR:PAPER EXIT-UNIT			
6	6LS01950000	PHOTOINTERRUPTOR:FLAT			
7	6LS02344000	GUIDE PLATE:PAPER EXIT SUB-UNIT:PAPER CRIMP			
8	6LS02126000	SHAFT:ARM:PAPER EXIT SUB-UNIT:PAPER CRIMP			
9	6LS02413000	ARM:PLATE:PAPER EXIT SUB-UNIT:PAPER CRIMP			
10	6LS02128000	SPRING:ARM:16MN·M			
11	6LS02412000	ARM:PAPER SENSER:PAPER EXIT SUB-UNIT:PAPER CRIMP			
12	6LS02127000	ROLLER:PLATE:PAPER EXIT SUB-UNIT:PAPER CRIMP			
13	6LS02326000	CAP:BASE			
15	6LS01997000	BRACKET:STOPPER:STAPLER UNIT			
16	6LS01996000	HOLDER:COUPLING:STAPLER UNIT			
17	6LS01932000	SCREW:PIN:POSITIONING			
18 A	6LS01993000	SLIDE RAIL:STAPLER UNIT:508MM			MX-FN24
18 B	6LS02292000	SLIDE RAIL:432M			MX-FN25
101	6LS01849000	TAPPING SCREW:3X6			
102	6LS01850000	TAPPING SCREW:3X8			
103	6LS01859000	TAPPING SCREW:4X8			
104	6LS01855000	BINDING SELF TAPPING SCREW:3X6			
105	6LS01874000	SCREW:SPRING WASHER:M3X5			
106	6LS01865000	RETAINING RINGS-E:4			
107	6LS01876000	HARNESS CLAMP:ES-0505-2			
108	6LS01887000	CLAMP:LBWS-026S-V0			









**TOSHIBA**

**TOSHIBA TEC CORPORATION**

1-11-1, OSAKI, SHINAGAWA-KU, TOKYO, 141-8562, JAPAN