

TOSHIBA

SERVICE PARTS LIST

Staple Finisher

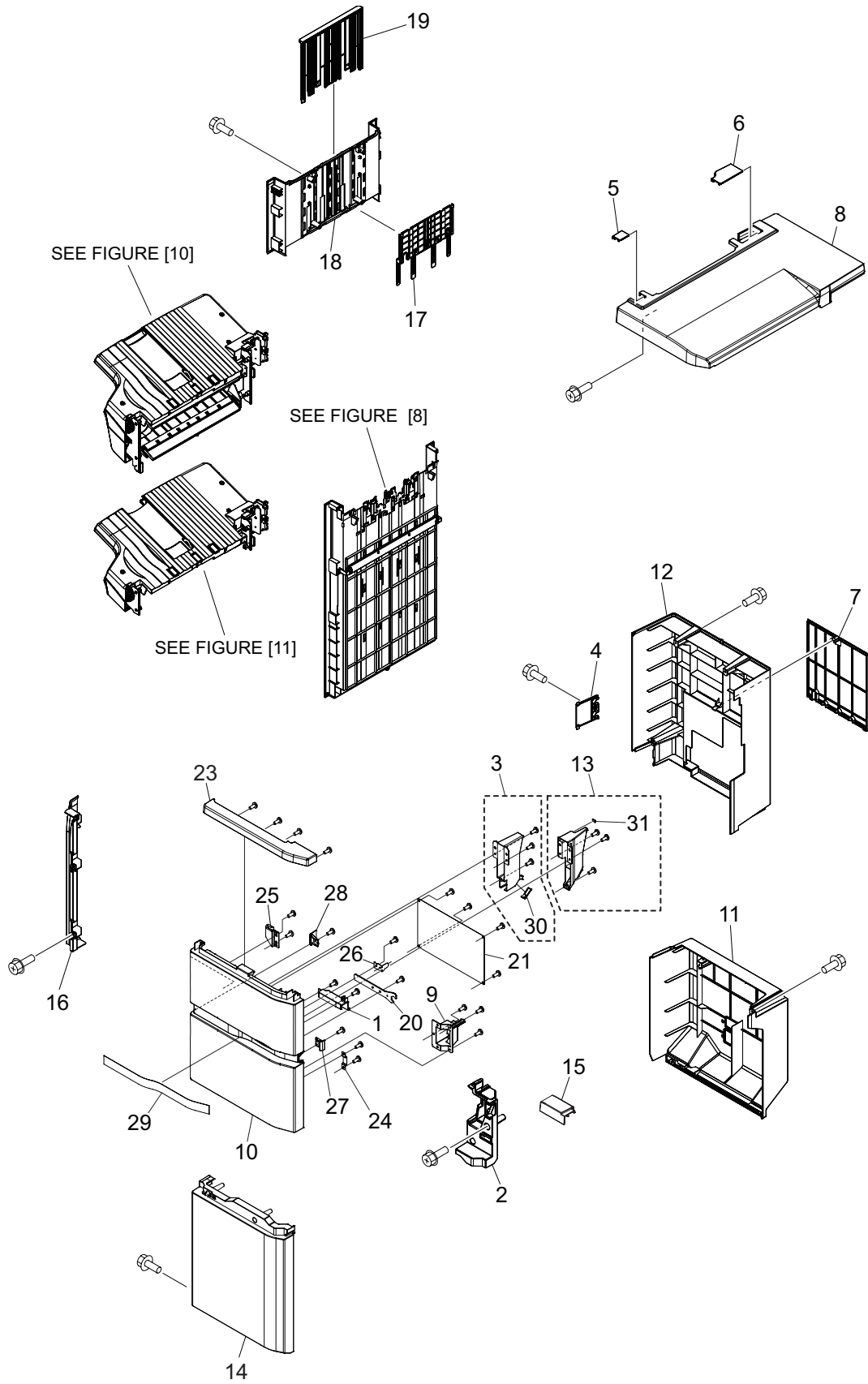
MX-FN21/FN22/PN13B

© 2014 TOSHIBA TEC CORPORATION All rights reserved

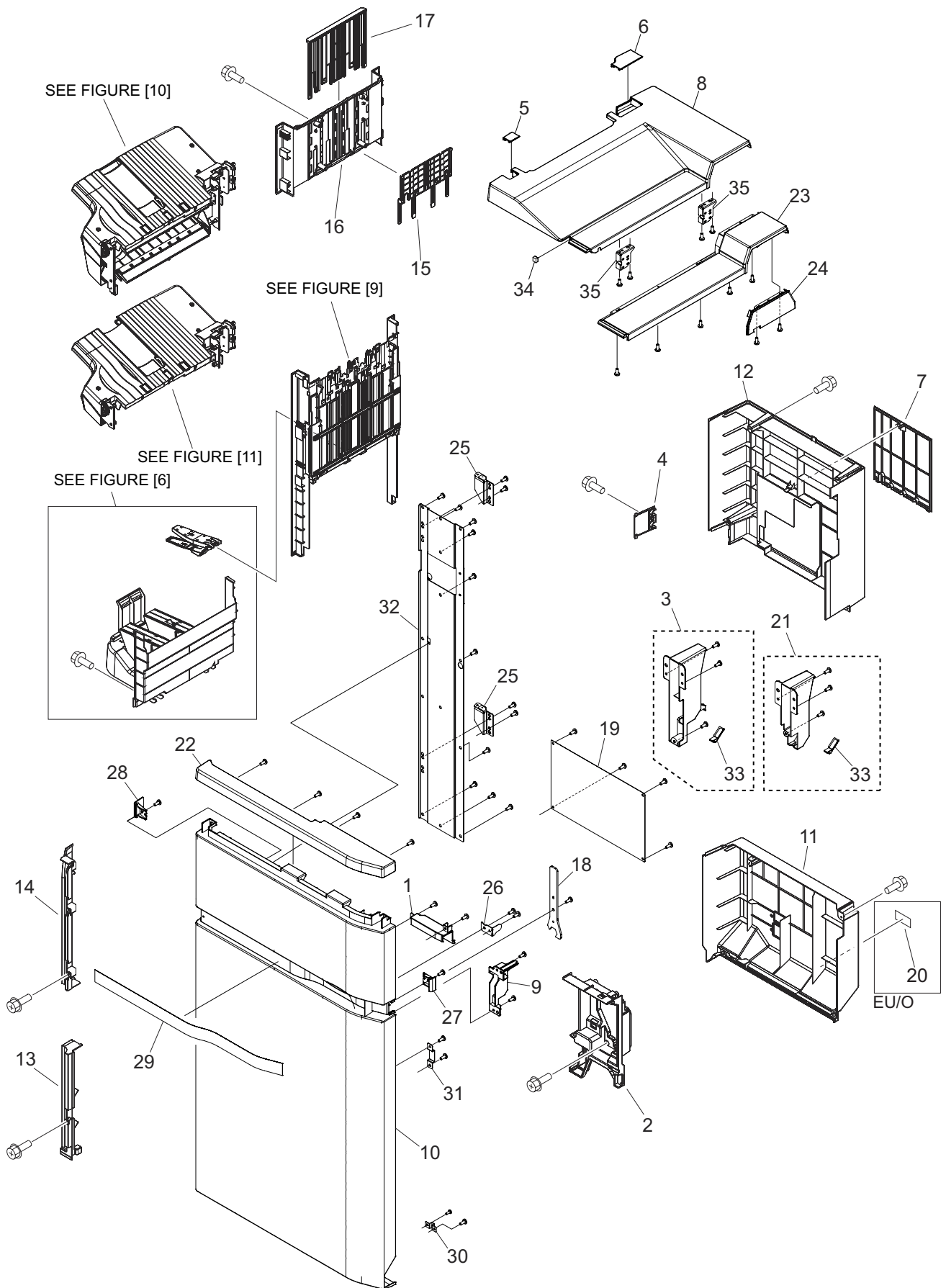
Under the copyright laws, this manual cannot be reproduced in any form without prior written permission of TOSHIBA TEC CORPORATION. No patent liability is assumed, however, with respect to the use of the information contained herein.

CONTENTS

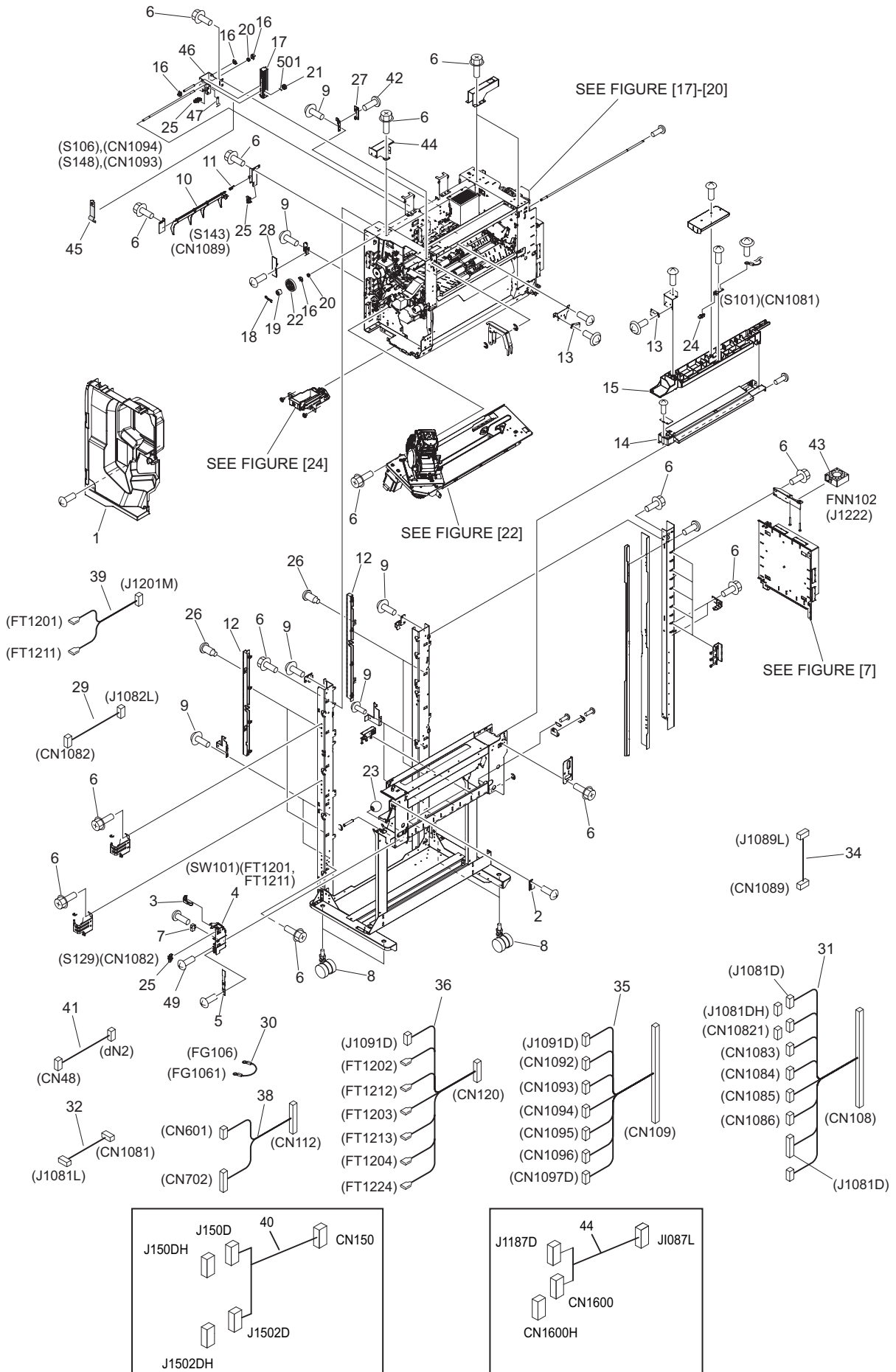
EXTERNAL_COVERS,PANELS,ETC._[MX-FN21].....	1
EXTERNAL_COVERS,_PANELS,_ETC._[MX-FN22].....	2
INTERNAL_COMPONENTS_1_[MX-FN21]	3
INTERNAL_COMPONENTS_1_[MX-FN22]	4
INTERNAL_COMPONENTS_2_[MX-FN22]	5
SADDLE_TRAY_ASSEMBLY	6
POWER_CORD_TERMINAL_ASSEMBLY.....	7
FACE-UP_LOWER_ASSEMBLY_[MX-FN21].....	8
FACE-UP_LOWER_ASSEMBLY_[MX-FN22].....	9
TRAY_UPPER_ASSEMBLY	10
TRAY_LOWER_ASSEMBLY.....	11
FEED_DISPOSE_DRIVE_ASSEMBLY_1.....	12
FEED_DISPOSE_DRIVE_ASSEMBLY_2.....	13
ENTRANCE_PAPER_FEED_ASSEMBLY_[MX-FN22]	14
ENTRANCE_GUIDE_ASSEMBLY_[MX-FN22].....	15
ENTRANCE_GUIDE_FLAPPER_ASSEMBLY.....	16
PAPER_FEED_DISPOSE_ASSEMBLY_1.....	17
PAPER_FEED_DISPOSE_ASSEMBLY_2.....	18
PAPER_FEED_DISPOSE_ASSEMBLY_3.....	19
PAPER_FEED_DISPOSE_ASSEMBLY_4.....	20
UPPER_FEED_GUIDE_ASSEMBLY.....	21
STAPLER_MOUNT_ASSEMBLY.....	22
STAPLE_ASSEMBLY.....	23
STAPLE_DUST_BOX	24
SADDLE_JOINTASSEMBLY_1_[MX-FN22]	25
SADDLE_JOINTASSEMBLY_2_[MX-FN22]	26
SADDLE_JOINTASSEMBLY_3_[MX-FN22]	27
SADDLE_JAM_RELEASE_ASSEMBLY_[MX-FN22].....	28
SADDLE_PAPER_DELIVERY_PATH_ASSEMBLY_[MX-FN22].....	29
SADDLE_RIGHT_GUIDE_ASSEMBLY_[MX-FN22].....	30
SADDLE_STAPLER_ASSEMBLY_[MX-FN22]	31
THRUST_ASSEMBLY_[MX-FN22]	32
SADDLE_DISPOSE_TARY_ASSEMBLY_[MX-FN22]	33
TIP_STOPPER_ASSEMBLY_[MX-FN22].....	34
PROCESS_ASSEMBLY.....	35
FRONT_ALIGNMENT_ASSEMBLY.....	36
REAR_ALIGNMENT_ASSEMBLY	37
GRIPPER_ASSEMBLY	38
GRIPPER_ARM_ASSEMBLY	39
GRIPPER_DRIVE_ASSEMBLY	40
SWING_GUIDE_ASSEMBLY.....	41
FINISHER_CONTROL_PWB_ASSEMBLY.....	42
SADDLE_CONTROL_PCB_ASSEMBLY_[MX-FN22]	43
FILTER_PCB_ASSEMBLY.....	44
ACCESSORIES_[MX-FN21].....	45
ACCESSORIES_[MX-FN22].....	46
INNER_PUNCHER_MAIN_BODY_[MX-PN13]	47
ACCESSORIES_[MX-PN13].....	48



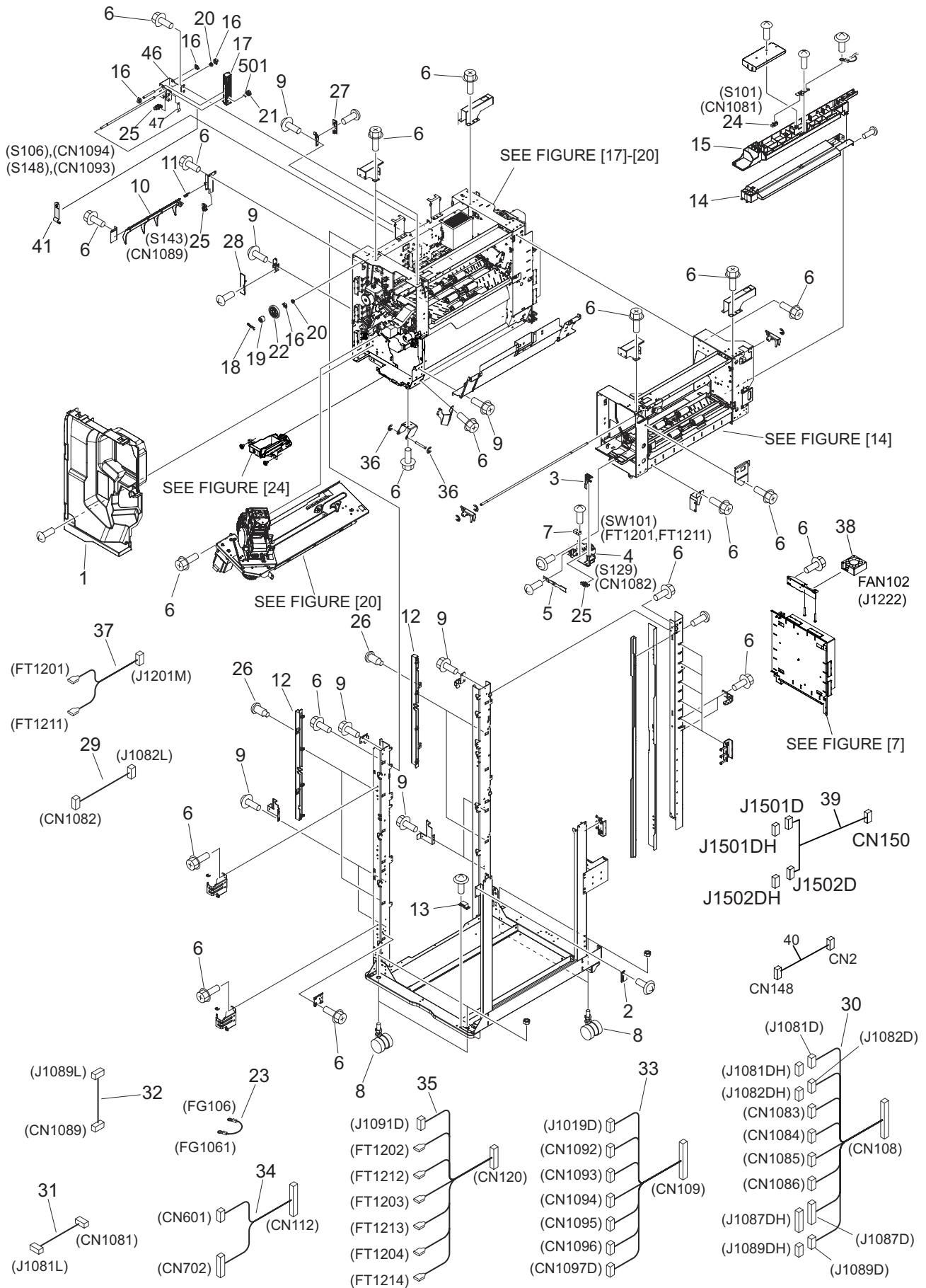
ITEM No.	PART No.	PART NAME	Q'TY / PAGE	Q'TY / PACK	REMARKS
1	6LS00269000	HANDLE,DOOR,6			
2	6LS00370000	COVER,ENTRANCE INNER			
3	6LS00448000	COVER,PROTECT 2			
4	6LS00253000	PANEL,TRAY INTERFACE			
5	6LS00338000	PANEL,PILLAR UPPER,1			
6	6LS00339000	PANEL,PILLAR UPPER,2			
7	6LS00254000	PANEL,MAINTENANCE,REAR			
8	6LS00456000	PANEL,UPPER			
9	6LS00251000	PLATE,DOOR SW			
10	6LS00266000	PANEL,FRONT			
11	6LS00256000	PANEL,REAR LOWER			
12	6LS00255000	PANEL,REAR UPPER			
13	6LS00449000	COVER,PROTECT 1			
14	6LS00268000	COVER,FRONT LOWER			
15	6LS00343000	COVER,CASTER REAR			
16	6LS00252000	PANEL,PILLAR			
17	6LS00346000	SHUTTER,UPPER			
18	6LS00344000	PANEL,FACE-UP UPPER,FIXED			
19	6LS00345000	PANEL,FACE-UP UPPER,MOVABLE			
20	6LS01008000	SPANNER			
21	6LS00551000	LABEL,JAM			
23	6LS00267000	DOOR,FRONT UPPER 6			
24	6LS00786000	PLATE,DOOR,MAGNET			
25	6LS00419000	HINGE,COVER			
26	6LS01057000	FLAG,STAPLER LOCK			
27	6LS00275000	COVER,FRONTSUB,RIGHT			
28	6LS00276000	COVER,FRONT SUB LEFT			
29	6LS00327000	SHEET,DECO.			
30	6LS01039000	SHEET,FULL PROOF			
31	6LS00991000	CUSHION,FRONT DOOR			



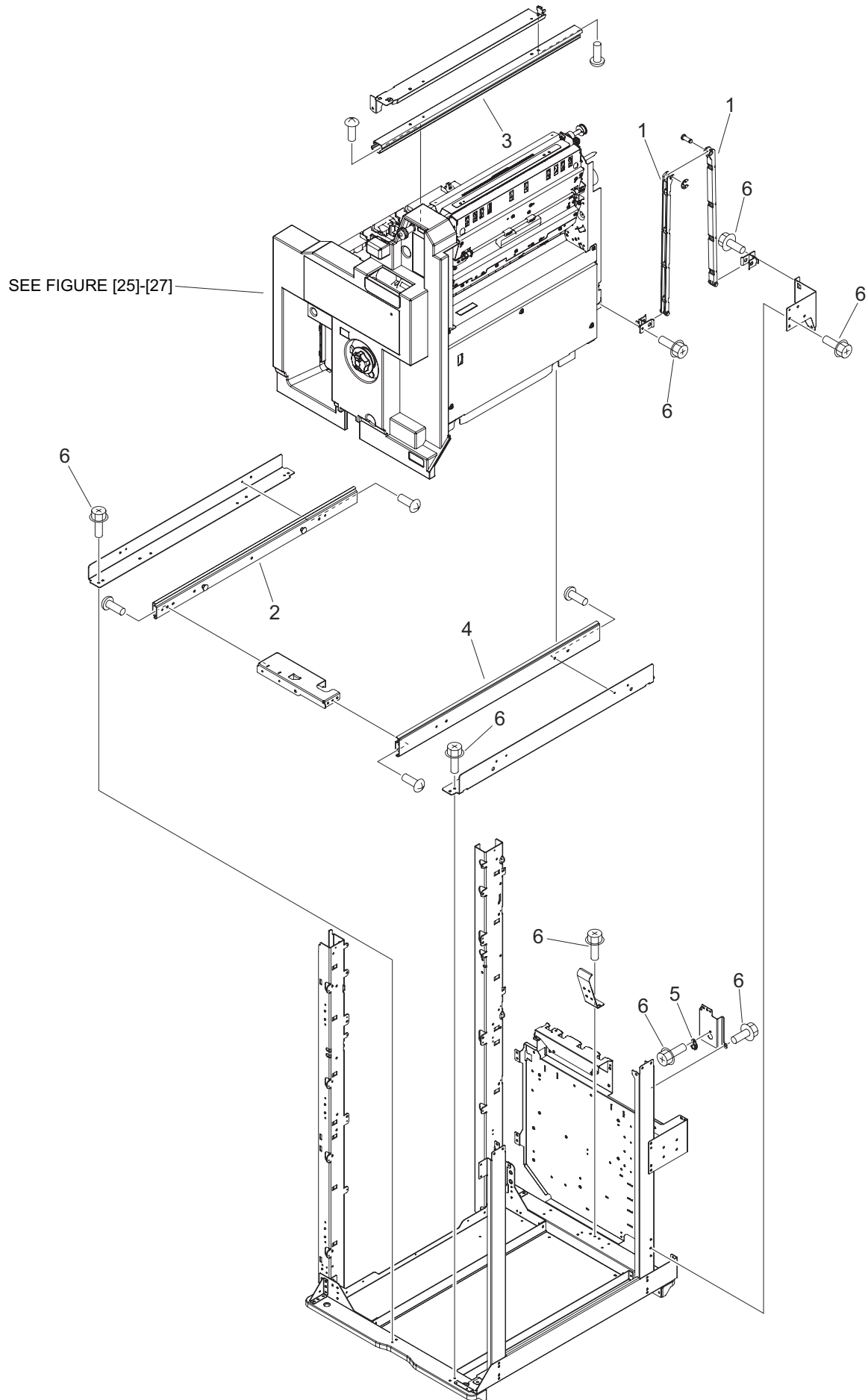
ITEM No.	PART No.	PART NAME	Q'TY / PAGE	Q'TY / PACK	REMARKS
1	6LS00269000	HANDLE,DOOR,6			
2	6LS00273000	COVER,ENTRANCE INNER			
3	6LS00432000	COVER,PROTECT 2			
4	6LS00253000	PANEL,TRAY INTERFACE			
5	6LS00338000	PANEL,PILLAR UPPER,1			
6	6LS00339000	PANEL,PILLAR UPPER,2			
7	6LS00254000	PANEL,MAINTENANCE,REAR			
8	6LS00450000	PANEL,UPPER			
9	6LS00272000	PLATE,DOOR SW			
10	6LS00263000	PANEL,FRONT			
11	6LS00341000	PANEL,REAR LOWER			
12	6LS00340000	PANEL,REAR UPPER			
13	6LS00337000	COVER,INNER LEFT LOWER			
14	6LS00252000	PANEL,PILLAR			
15	6LS00346000	SHUTTER,UPPER			
16	6LS00344000	PANEL,FACE-UP UPPER,FIXED			
17	6LS00345000	PANEL,FACE-UP UPPER,MOVABLE			
18	6LS01008000	SPANNER			
19	6LS00556000	LABEL,JAM			
20	6LS01453000	LABEL,GROUNDING			
21	6LS00435000	COVER,PROTECT 1			
22	6LS00264000	DOOR,FRONT UPPER 7			
23	6LS00274000	COVER, TOP SUB			
24	6LS00384000	COVER, TOP SUB REAR			
25	6LS00419000	HINGE,COVER			
26	6LS01057000	FLAG,STAPLER LOCK			
27	6LS00275000	COVER,FRONTSUB,RIGHT			
28	6LS00276000	COVER,FRONT SUB LEFT			
29	6LS00328000	SHEET,DECO.			
30	6LS00785000	PLATE,DOOR,MAGNET LOWER			
31	6LS00786000	PLATE,DOOR,MAGNET			
32	6LS00334000	PLATE,FRONT DOOR SUPPORT			
33	6LS01039000	SHEET,FULL PROOF			
34	6LS00386000	SPACER, TOP COVER			
35	6LS01030000	PLARE, TOP COVER			

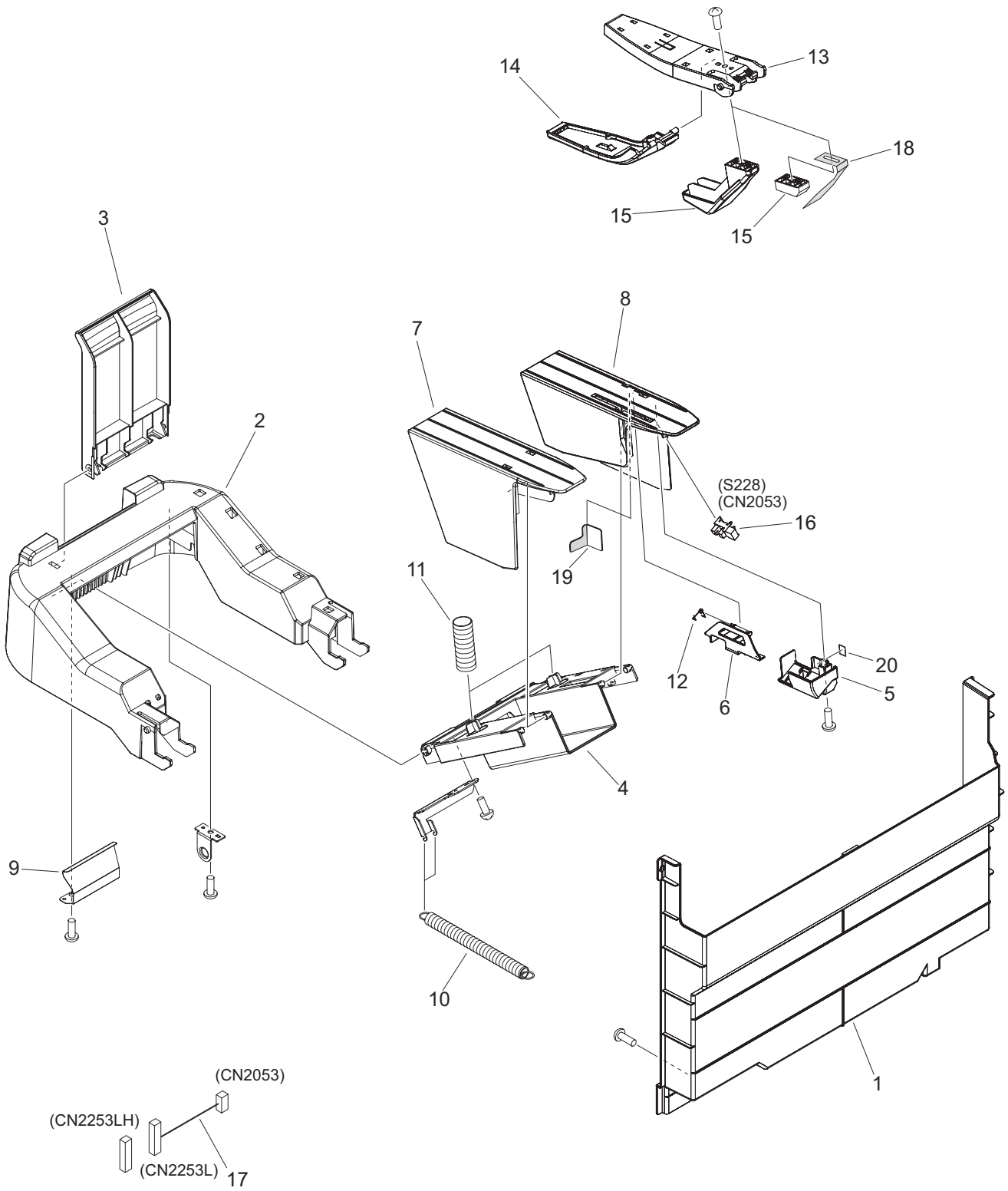


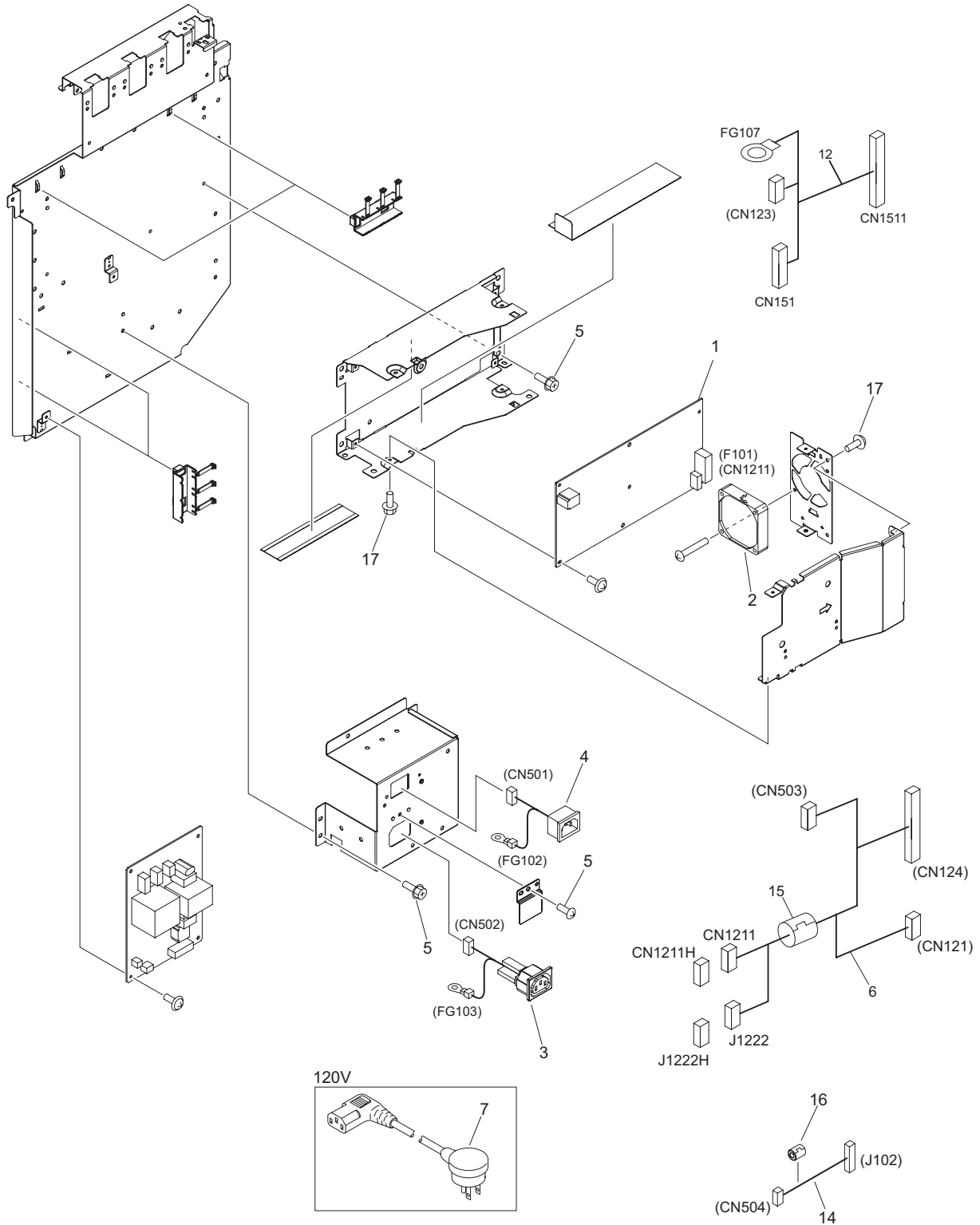
ITEM No.	PART No.	PART NAME	Q'TY / PAGE	Q'TY / PACK	REMARKS
1	6LS00271000	COVER,INNER			
2	6LS00641000	MAGNET CATCH			
3	6LS00936000	LEVER,COVER SENSOR,FRONT			
4	6LS00939000	HOLDER,DOOR SWITCH			
5	6LS01583000	SPRING,LEAF			
6	6LS01655000	SCREW,RS			
7	6LS01634000	MICROSWITCH			
8	6LS00583000	CASTER-FRM			
9	6LS01667000	SCREW,RS			
10	6LS00980000	LEVER,PAPER DETECT,LOWER			
11	6LS01592000	SPRING,TORSION			
12	6LS01021000	RACK,TRAY MAIN			
13	6LS00230000	MAGNET CATCH			
14	6LS00985000	GUIDE,ENTRANCE,LOWER			
15	6LS00987000	GUIDE,ENTRANCE,UPPER			
16	6LS00590000	CLIP			
17	6LS00978000	RACK,SHUTTER			
18	6LS01014000	PIN,TORQUE LIMITER SNAP			
19	6LS01015000	TORQUE LIMITER,SHUTTER			
20	6LS01296000	BUSHING			
21	6LS01521000	GEAR,20T			
22	6LS01513000	GEAR,36T			
23	6LS00806000	ROLLER,CASTER			
24	6LS01089000	PHOTO-INTERRUPTER			
25	6LS01642000	PHOTO-INTERRUPTER			
26	6LS01394000	SCREW,RS STEPPED,M3			
27	6LS01274000	LED PCB ASSEMBLY			
28	6LS01275000	PHOTO-TRANSISTOR PWB ASSEMBLY			
29	6LS01251000	CABLE,SENSOR,COVER,FRONT			
30	6LS01238000	CABLE,SENSOR GROUNDING			
31	6LS00466000	CABLE,SENSOR,REAR			
32	6LS01250000	CABLE,SENSOR,UNIT SIDE			
34	6LS01252000	CABLE,PAPER SENSOR,UNIT SIDE			
35	6LS01159000	CABLE,SENSOR,FRONT			
36	6LS01259000	CABLE,EJECT TRAY PAPER SENSOR			
38	6LS01264000	CABLE,SWITCH			
39	6LS01265000	CABLE,SWITCH,COVER,FRONT			
40	6LS00462000	CABLE,TRAY INTERFACE			
43	6LS01091000	FAN-U60T24MUA7-53J25			
44	6LS00464000	CABLE,STAPLE DUST SENSOR			
45	6LS00420000	SPRING,RACK PLATE			
46	6LS00986000	BKT-TM-SNS			
47	6LS00420000	SPRING,RACK PLATE			
501	6LS01707000	PIN,SPRING			



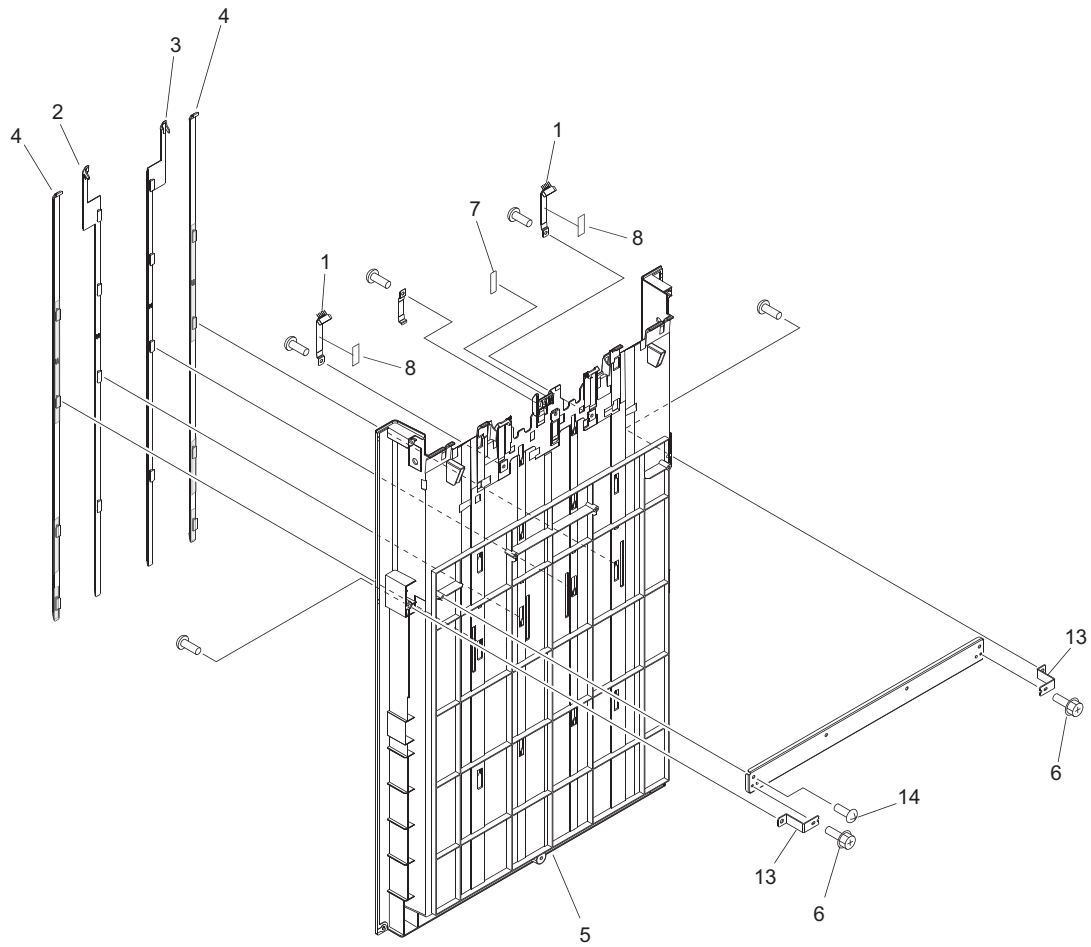
ITEM No.	PART No.	PART NAME	Q'TY / PAGE	Q'TY / PACK	REMARKS
1	6LS00271000	COVER,INNER			
2	6LS00641000	MAGNET CATCH			
3	6LS00936000	LEVER,COVER SENSOR,FRONT			
4	6LS00939000	HOLDER,DOOR SWITCH			
5	6LS01582000	SPRING,LEAF			
6	6LS01655000	SCREW,RS			
7	6LS01634000	MICROSWITCH			
8	6LS00583000	CASTER-FRM			
9	6LS01667000	SCREW,RS			
10	6LS00980000	LEVER,PAPER DETECT,LOWER			
11	6LS01592000	SPRING,TORSION			
12	6LS01021000	RACK,TRAY MAIN			
13	6LS00230000	MAGNET CATCH			
14	6LS00985000	GUIDE,ENTRANCE,LOWER			
15	6LS00987000	GUIDE,ENTRANCE,UPPER			
16	6LS00590000	CLIP			
17	6LS00978000	RACK,SHUTTER			
18	6LS01014000	PIN,TORQUE LIMITER SNAP			
19	6LS01015000	TORQUE LIMITER,SHUTTER			
20	6LS01296000	BUSHING			
21	6LS01521000	GEAR,20T			
22	6LS01513000	GEAR,36T			
23	6LS01237000	CABLE,SENSOR GROUNDING			
24	6LS01089000	PHOTO-INTERRUPTER			
25	6LS01642000	PHOTO-INTERRUPTER			
26	6LS01394000	SCREW,RS STEPPED,M3			
27	6LS01274000	LED PCB ASSEMBLY			
28	6LS01275000	PHOTO-TRANSISTOR PWB ASSEMBLY			
29	6LS01276000	CABLE,SENSOR,COVER,FRONT			
30	6LS00466000	CABLE,SENSOR,REAR			
31	6LS01250000	CABLE,SENSOR,UNIT SIDE			
32	6LS01252000	CABLE,PAPER SENSOR,UNIT SIDE			
34	6LS01259000	CABLE,EJECT TRAY PAPER SENSOR			
35	6LS01264000	CABLE,SWITCH			
36	6LS01699000	E-RING			
37	6LS01277000	CABLE,SWITCH,COVER,FRONT			
38	6LS01091000	FAN-U60T24MUA7-53J25			
39	6LS00462000	CABLE,TRAY INTERFACE			
40	6LS00464000	CABLE,STAPLE DUST SENSOR			
41	6LS00420000	SPRING,RACK PLATE			
46	6LS00986000	BKT-TM-SNS			
47	6LS00420000	SPRING,RACK PLATE			
501	6LS01707000	PIN,SPRING			



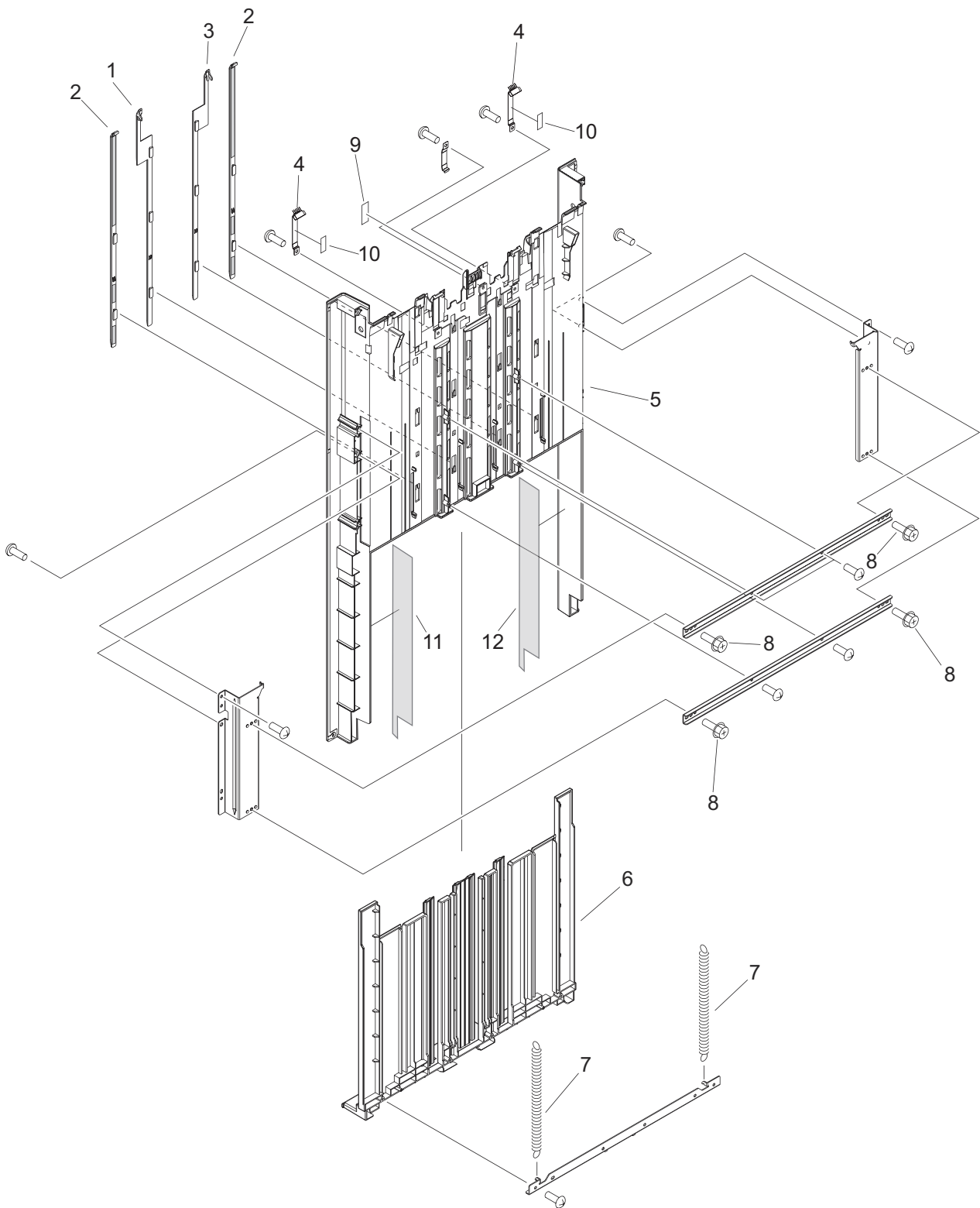




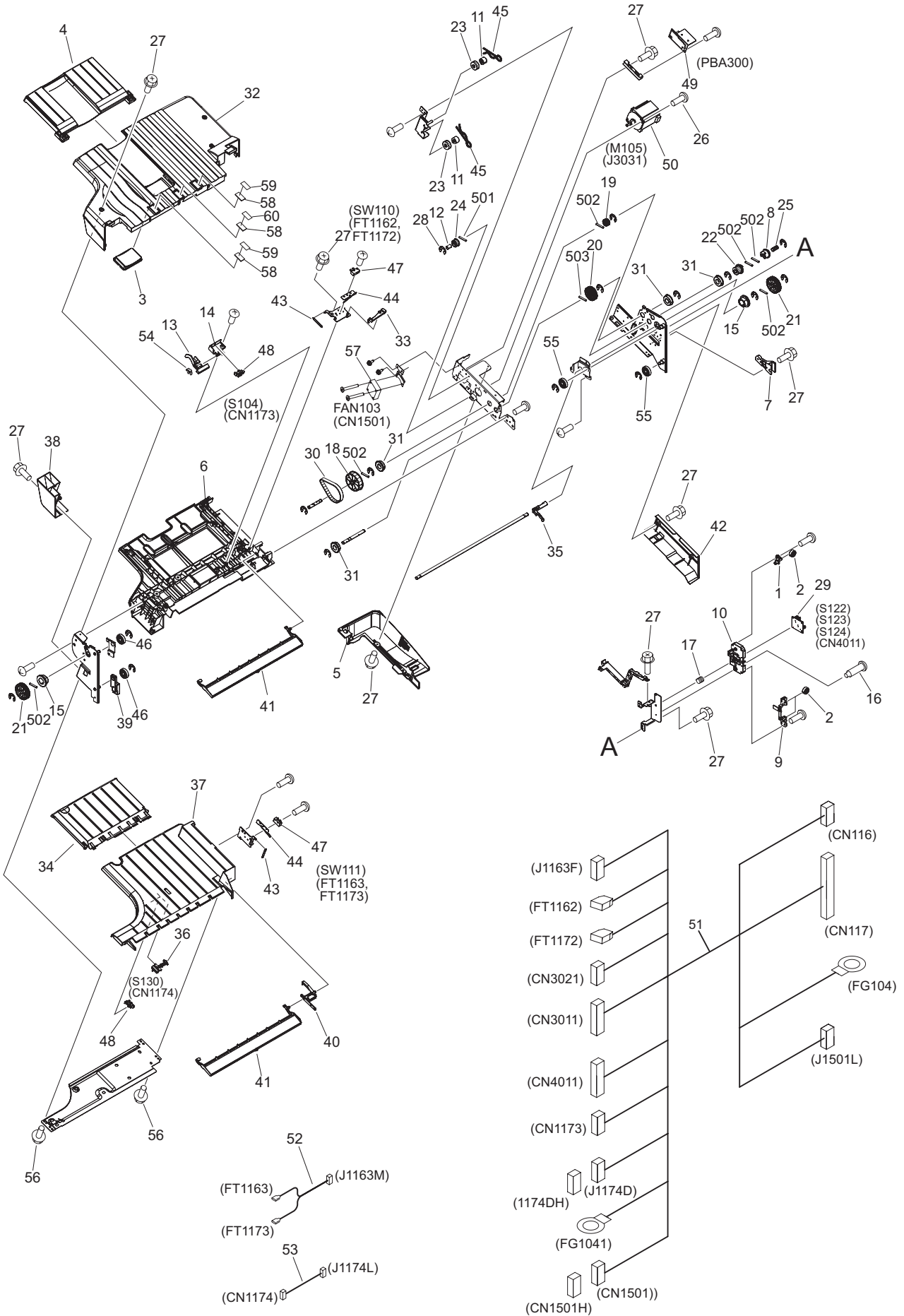
ITEM No.	PART No.	PART NAME	Q'TY / PAGE	Q'TY / PACK	REMARKS
1	6LS01087000	POWER SUPPLY PWB			
2	6LS01116000	FAN			
3	6LS01267000	CABLE,AC OUTLET PS			
4	6LS01270000	CABLE,AC INLET PS			
5	6LS01655000	SCREW,RS			
6	6LS01158000	CABLE,FAN			
7	6LS01065000	AC CORD			
12	6LS00463000	INTERFACE			
14	6LS01266000	CABLE, AC POWER INPUT			
15	6LS01636000	CORE			
16	6LS01635000	CORE			
17	6LS01667000	SCREW,RS			



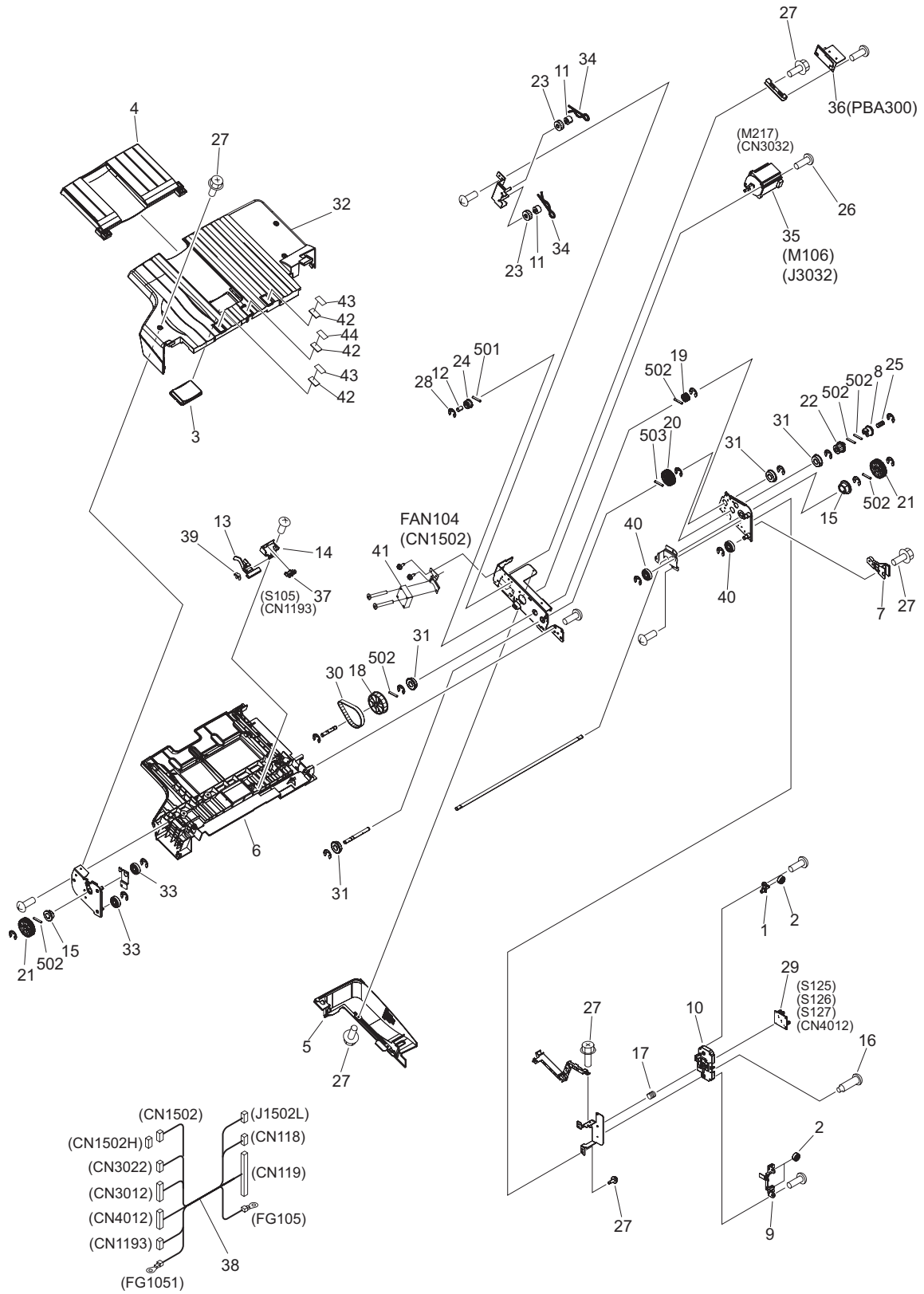
ITEM No.	PART No.	PART NAME	Q'TY / PAGE	Q'TY / PACK	REMARKS
1	6LS01135000	ELIMINATOR,STATIC CHARGE			
2	6LS00372000	RIB,CENTER FRONT			
3	6LS00371000	RIB,CENTER REAR			
4	6LS00436000	RIB,FACE-UP SIDE 6			
5	6LS00373000	PANEL,FACE-UP LOWER,MOVABLE			
6	6LS01667000	SCREW,RS			
7	6LS01038000	LABEL,B3			
8	6LS00385000	SHEET,FACE-UP PLATE			



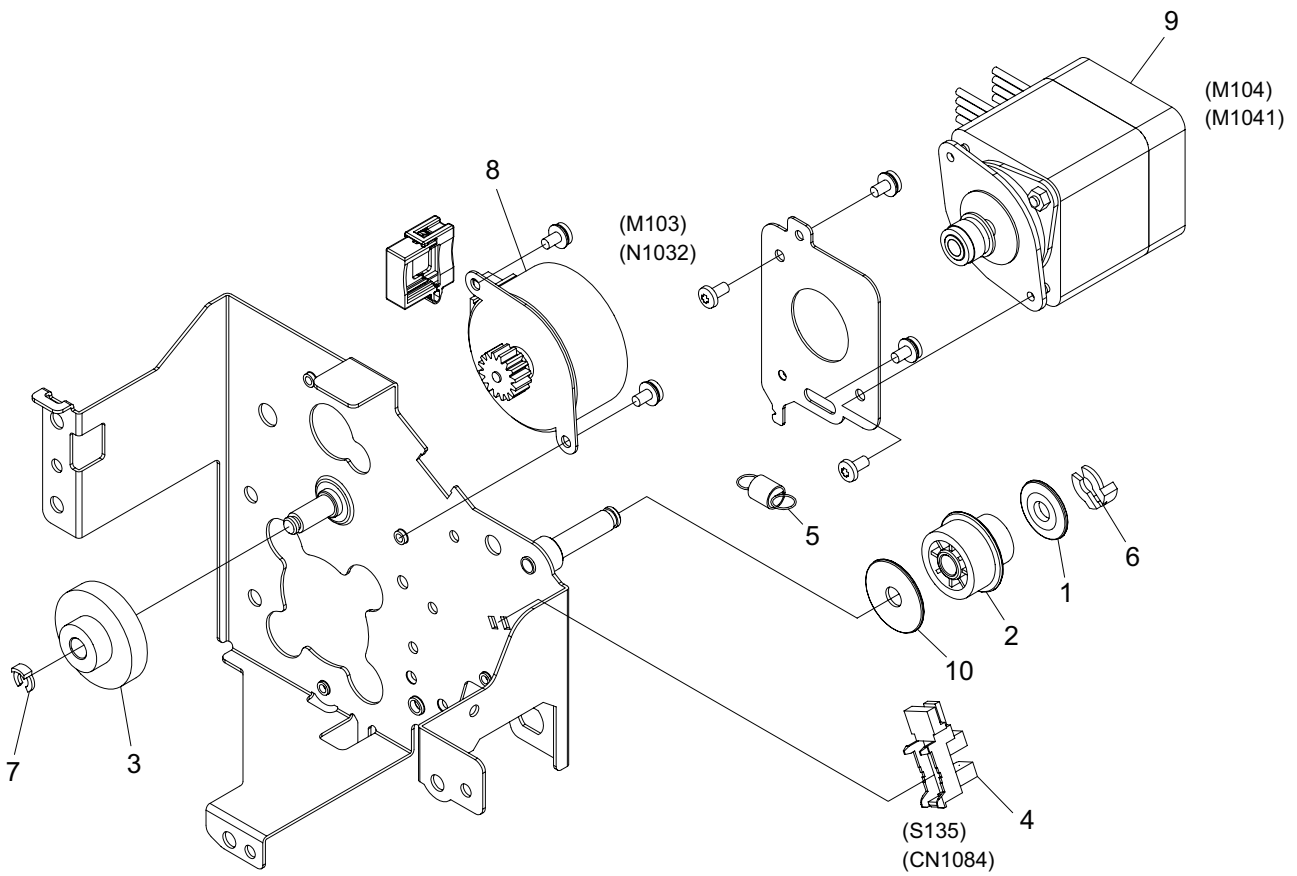
ITEM No.	PART No.	PART NAME	Q'TY / PAGE	Q'TY / PACK	REMARKS
1	6LS00349000	RIB,CENTER FRONT			
2	6LS00452000	RIB,MYLAR			
3	6LS00348000	RIB,CENTER REAR			
4	6LS01135000	ELIMINATOR,STATIC CHARGE			
5	6LS00434000	STACKWALL,LOWER7 ASSY			
6	6LS00347000	PANEL,FACE-UP LOWER,MOVABLE			
7	6LS01546000	SPRING,TENSION			
8	6LS01667000	SCREW,RS			
9	6LS01041000	LABEL,B4 VERTICAL			
10	6LS00385000	SHEET,FACE-UP PLATE			
11	6LS00422000	SIDE SHEET FRONT,FACE-UP			
12	6LS00423000	SIDE SHEET REAR,FACE-UP			



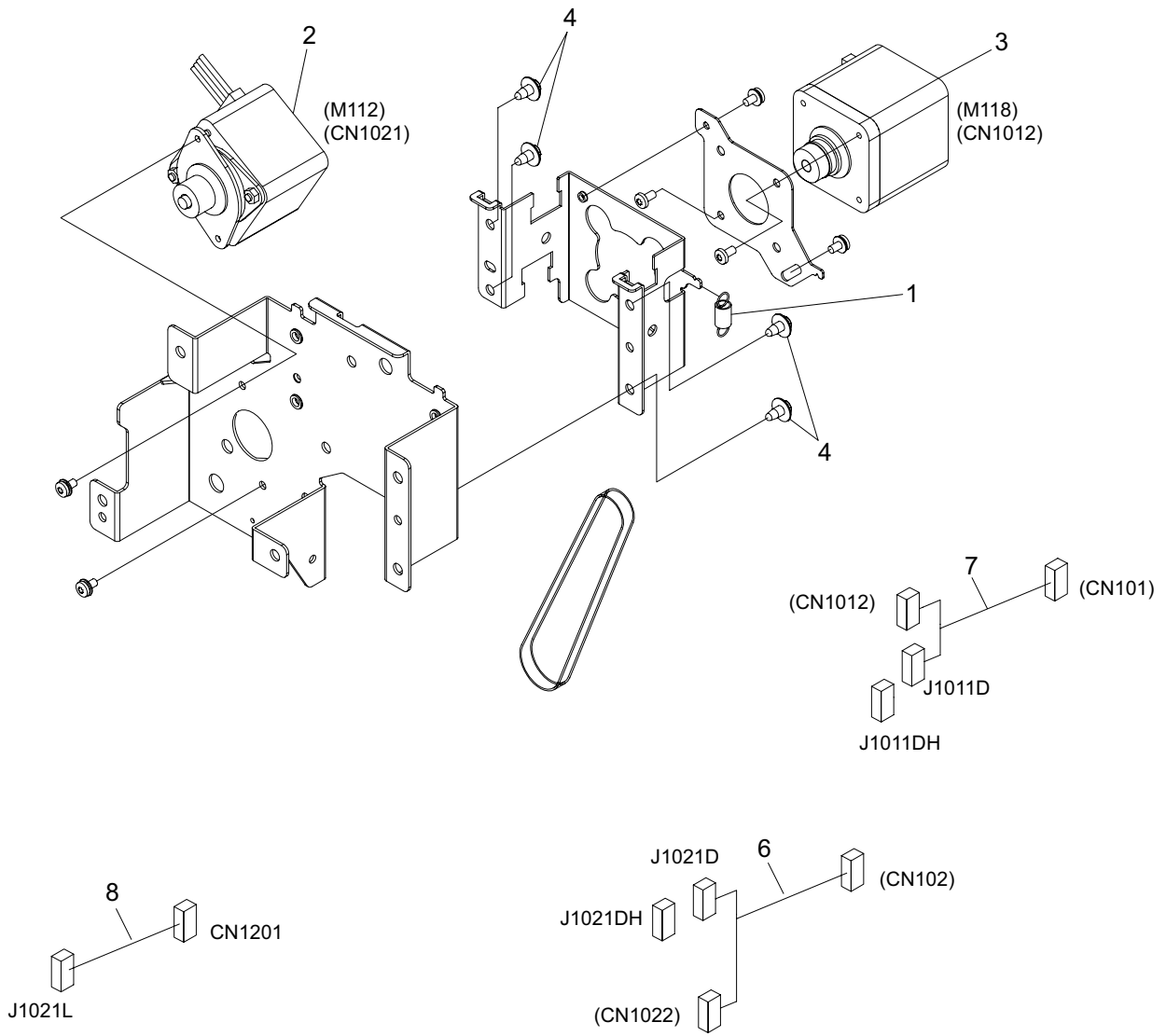
ITEM No.	PART No.	PART NAME	Q'TY / PAGE	Q'TY / PACK	REMARKS
1	6LS00596000	HOLDER,AREA SENSOR ROLLER 2			
2	6LS00597000	ROLLER,AREA SENSOR			
3	6LS01009000	WINDOW,TRAY			
4	6LS00361000	TRAY,SLIDE			
5	6LS00362000	TRAY,LOWER SUB			
6	6LS00360000	TRAY,LOWER MAIN			
7	6LS01010000	GUIDE,TRAY MAIN RACK			
8	6LS01011000	RATCHET,TRAY			
9	6LS01012000	HOLDER,AREA SENSOR ROLLER 1			
10	6LS01013000	BASE,TRAY AREA SENSOR			
11	6LS01015000	TORQUE LIMITER,SHUTTER			
12	6LS01017000	COLLAR,MAIN MOTOR GEAR JOINT			
13	6LS01018000	LEVER,MAIN PAPER			
14	6LS01019000	HOLDER,PAPER LEVER			
15	6LS01297000	BUSHING			
16	6LS01399000	SCREW,STEP			
17	6LS01311000	SPRING,COMPRESSION			
18	6LS01390000	PULLEY,59T			
19	6LS01523000	GEAR,18T			
20	6LS01524000	GEAR,39T			
21	6LS01525000	GEAR,37T			
22	6LS01526000	GEAR,16T			
23	6LS01527000	GEAR,23T			
24	6LS01528000	GEAR,19T			
25	6LS01596000	SPRING,COMPRESSION			
26	6LS01658000	SCREW			
27	6LS01661000	SCREW,RS			
28	6LS01699000	E-RING			
29	6LS01272000	HEIGHT TRAY SENSOR PWB			
30	6LS01772000	BELT,TIMING			
31	6LS01795000	BEARING,BALL			
32	6LS00359000	TRAY,UPPER			
33	6LS01020000	TRAY,MAIN SAFETY SW LINK			
34	6LS00364000	SLIDE,ESCAPE			
35	6LS01022000	LINK,MAIN TRAY SAFETY LEVER			
36	6LS01023000	FLAG,ESCAPE PAPER			
37	6LS00363000	TRAY,ESCAPE			
38	6LS00365000	COVER,ESCAPE FRONT			
39	6LS01024000	STOPPER,TRAY SAFETY			
40	6LS01025000	LINK,ESCAPE LEVER			
41	6LS00366000	LEVER,TRAY MAIN SAFETY			
42	6LS00374000	COVER,ESCAPE REAR			
43	6LS01575000	SPRING,TENSION			
44	6LS01597000	SPRING,LEAF			
45	6LS01014000	PIN,TORQUE LIMITER SNAP			
46	6LS00586000	ROLLER,TRAY GUIDE			
47	6LS01634000	MICROSWITCH			
48	6LS01638000	PHOTO-INTERRUPTER			
49	6LS01271000	DRIVER PWB			
50	6LS01106000	MOTOR,DC STEPPING			
51	6LS00461000	CABLE,TRAY UPPER UNIT SIDE			
52	6LS01262000	CABLE,TRAY SW UNIT SIDE			
53	6LS00485000	CABLE,PAPER SENSOR UNIT SIDE			
54	6LS00593000	RETAINER			
55	6LS01626000	ROLLER,TRAY GUIDE			
56	6LS01657000	SCREW			
57	6LS00522000	MOTOR,FAN			
58	6LS01028000	CUSHION			
59	6LS01029000	PET FILM			
60	6LS00458000	PET FILM			
501	6LS01713000	PIN,DOWEL			
502	6LS01718000	PIN,PARALLEL,HARD			
503	6LS01723000	PIN,PARALLEL,HARD			



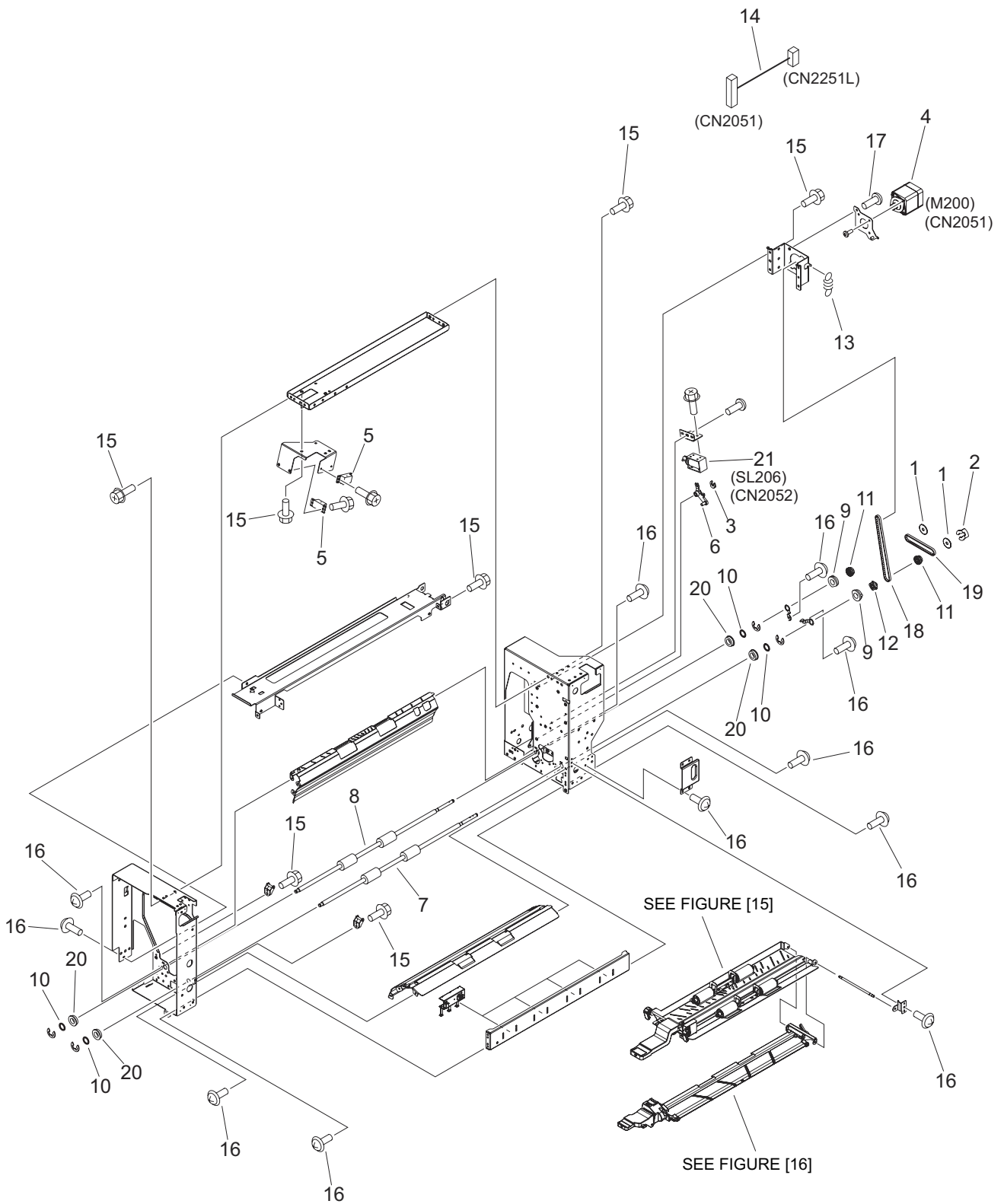
ITEM No.	PART No.	PART NAME	Q'TY / PAGE	Q'TY / PACK	REMARKS
1	6LS00596000	HOLDER,AREA SENSOR ROLLER 2			
2	6LS00597000	ROLLER,AREA SENSOR			
3	6LS01009000	WINDOW,TRAY			
4	6LS00361000	TRAY,SLIDE			
5	6LS00362000	TRAY,LOWER SUB			
6	6LS00360000	TRAY,LOWER MAIN			
7	6LS01010000	GUIDE,TRAY MAIN RACK			
8	6LS01011000	RATCHET,TRAY			
9	6LS01012000	HOLDER,AREA SENSOR ROLLER 1			
10	6LS01013000	BASE,TRAY AREA SENSOR			
11	6LS01015000	TORQUE LIMITER,SHUTTER			
12	6LS01017000	COLLAR,MAIN MOTOR GEAR JOINT			
13	6LS01018000	LEVER,MAIN PAPER			
14	6LS01019000	HOLDER,PAPER LEVER			
15	6LS01297000	BUSHING			
16	6LS01399000	SCREW,STEP			
17	6LS01311000	SPRING,COMPRESSION			
18	6LS01390000	PULLEY,59T			
19	6LS01523000	GEAR,18T			
20	6LS01524000	GEAR,39T			
21	6LS01525000	GEAR,37T			
22	6LS01526000	GEAR,16T			
23	6LS01527000	GEAR,23T			
24	6LS01528000	GEAR,19T			
25	6LS01596000	SPRING,COMPRESSION			
26	6LS01658000	SCREW			
27	6LS01661000	SCREW,RS			
28	6LS01699000	E-RING			
29	6LS01272000	HEIGHT TRAY SENSOR PWB			
30	6LS01772000	BELT,TIMING			
31	6LS01795000	BEARING,BALL			
32	6LS00359000	TRAY,UPPER			
33	6LS00586000	ROLLER,TRAY GUIDE			
34	6LS01014000	PIN,TORQUE LIMITER SNAP			
35	6LS01106000	MOTOR,DC STEPPING			
36	6LS01271000	DRIVER PWB			
37	6LS01638000	PHOTO-INTERRUPTER			
38	6LS01263000	CABLE,TRAY LOWER UNIT SIDE			
39	6LS00593000	RETAINER			
40	6LS01626000	ROLLER,TRAY GUIDE			
41	6LS00522000	MOTOR,FAN			
42	6LS01028000	CUSHION			
43	6LS01029000	PET FILM			
44	6LS00458000	PET FILM			
501	6LS01713000	PIN,DOWEL			
502	6LS01718000	PIN,PARALLEL,HARD			
503	6LS01723000	PIN,PARALLEL,HARD			



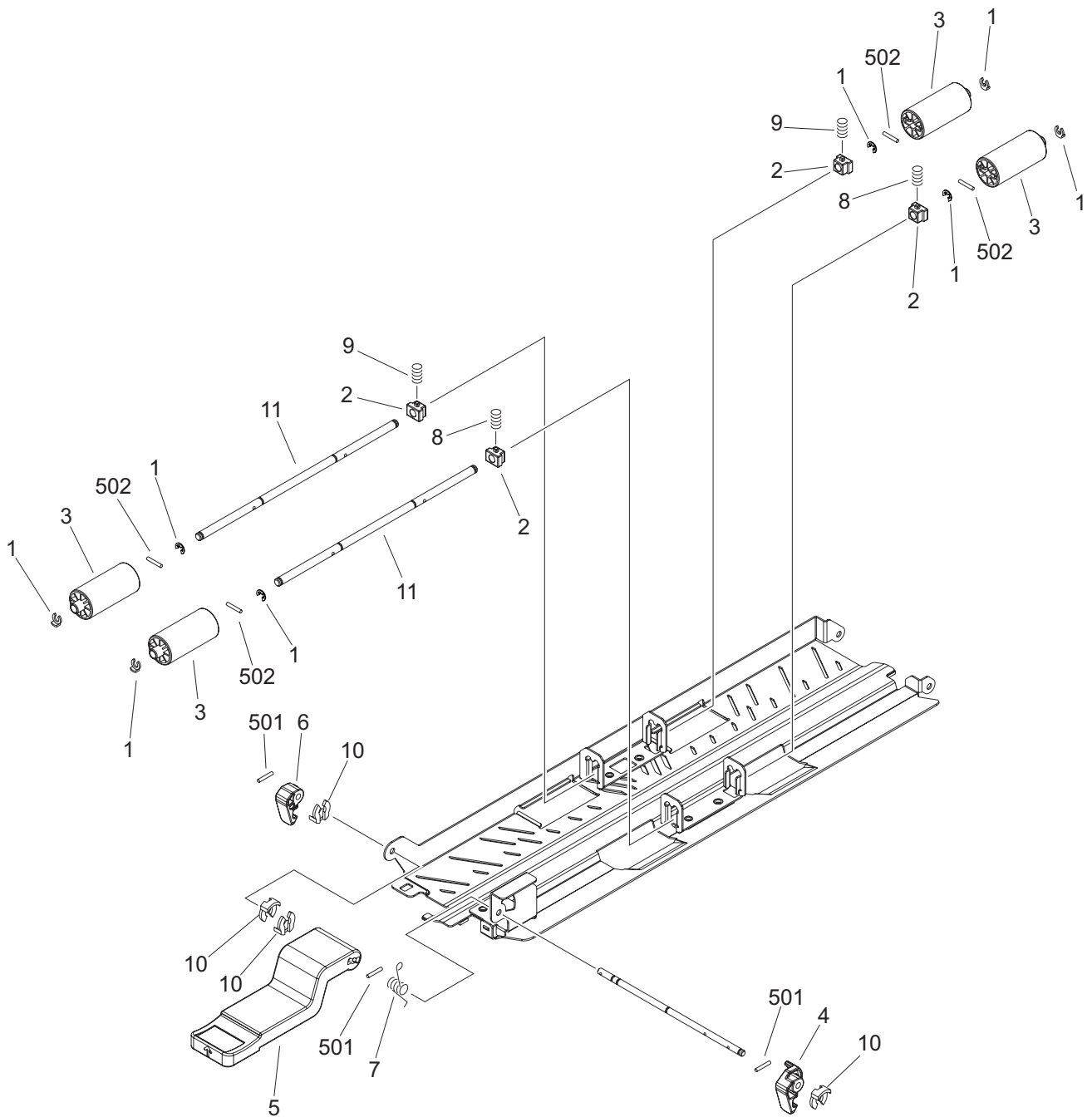
ITEM No.	PART No.	PART NAME	Q'TY / PAGE	Q'TY / PACK	REMARKS
1	6LS00801000	FLANGE			
2	6LS01381000	PULLEY,PAPER HOLD DRIVE			
3	6LS01384000	GEAR,REAR END DRIVE			
4	6LS01642000	PHOTO-INTERRUPTER			
5	6LS01584000	SPRING,TENSION			
6	6LS00590000	CLIP			
7	6LS00578000	CLIP			
8	6LS01110000	MOTOR,DC STEPPING			
9	6LS01105000	MOTOR,DC STEPPING			
10	6LS00221000	FLANGE			

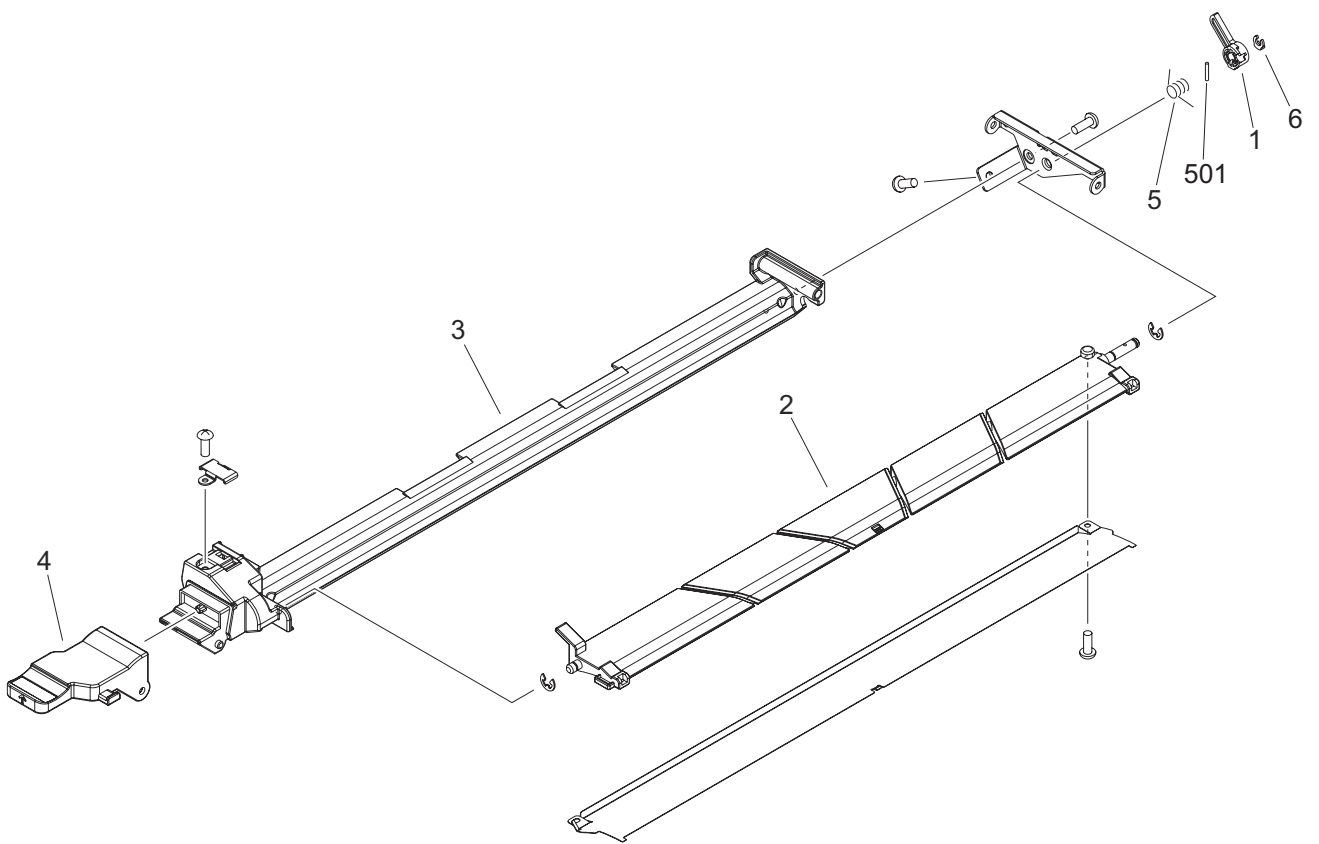


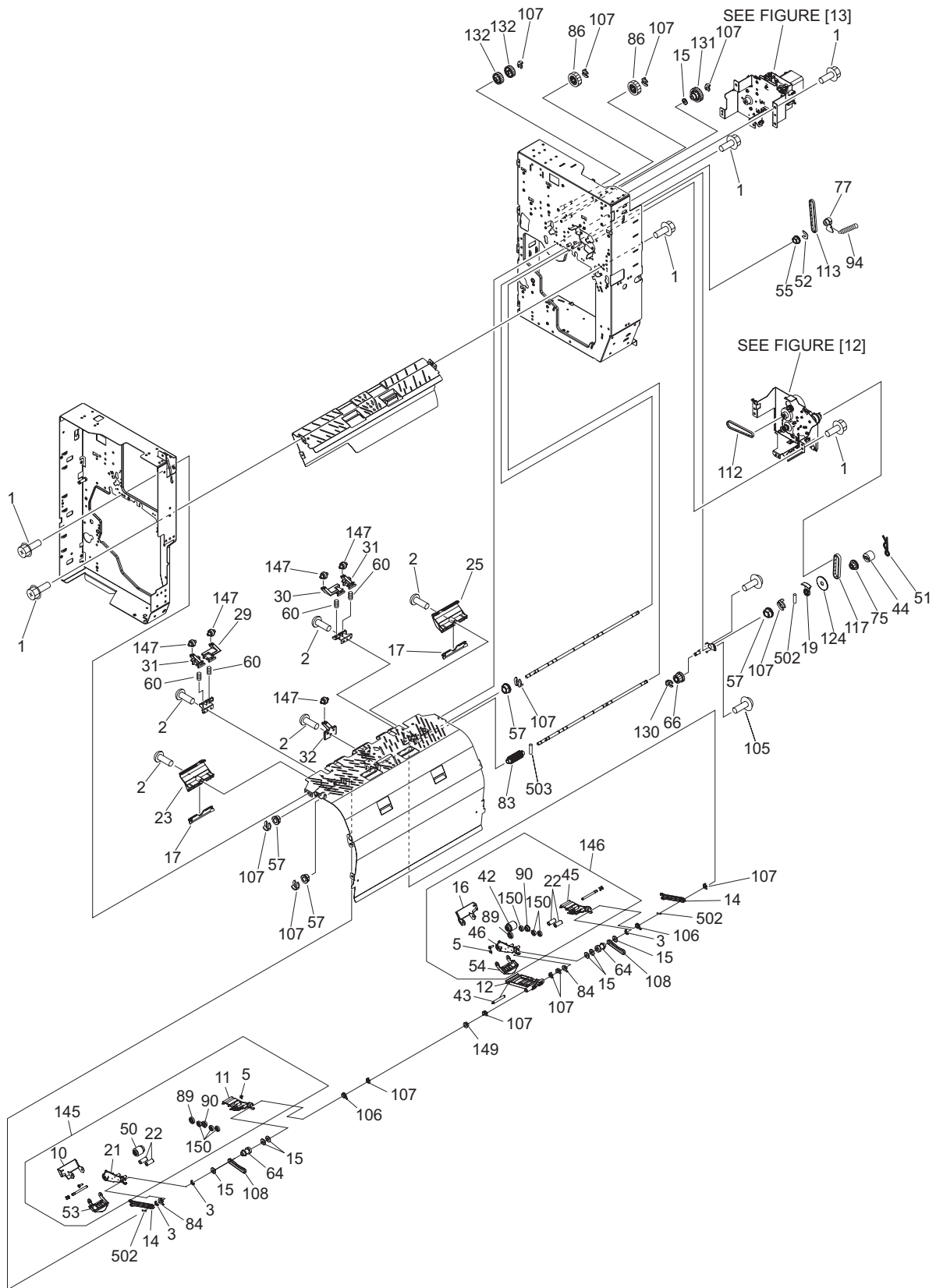
ITEM No.	PART No.	PART NAME	Q'TY / PAGE	Q'TY / PACK	REMARKS
1	6LS01580000	SPRING,TENSION			
2	6LS01112000	MOTOR,DC STEPPING			
3	6LS01113000	MOTOR,DC STEPPING			
4	6LS01655000	SCREW,RS			
6	6LS01242000	CABLE,MOTOR			
7	6LS01227000	CABLE,MOTOR			
8	6LS01240000	CABLE,MOTOR EXTENSION			



ITEM No.	PART No.	PART NAME	Q'TY / PAGE	Q'TY / PACK	REMARKS
1	6LS00221000	FLANGE			
2	6LS00590000	CLIP			
3	6LS00587000	CLIP			
4	6LS01105000	MOTOR,DC STEPPING			
5	6LS00641000	MAGNET CATCH			
6	6LS01120000	LEVER,FLAPPER LINK			
7	6LS00791000	ROLLER,TRANSFER			
8	6LS00792000	ROLLER,TRANSFER			
9	6LS01286000	BUSHING			
10	6LS01306000	WASHER			
11	6LS01376000	PULLEY,16T			
12	6LS01378000	PULLEY,25T			
13	6LS01584000	SPRING,TENSION			
14	6LS01214000	CABLE,ENTRANCE TRANSFER MOTOR			
15	6LS01655000	SCREW,RS			
16	6LS01667000	SCREW,RS			
17	6LS01664000	SCREW			
18	6LS01751000	BELT,TIMING			
19	6LS01765000	BELT,TIMING			
20	6LS01791000	BEARING,BALL			
21	6LS01102000	SOLENOID			

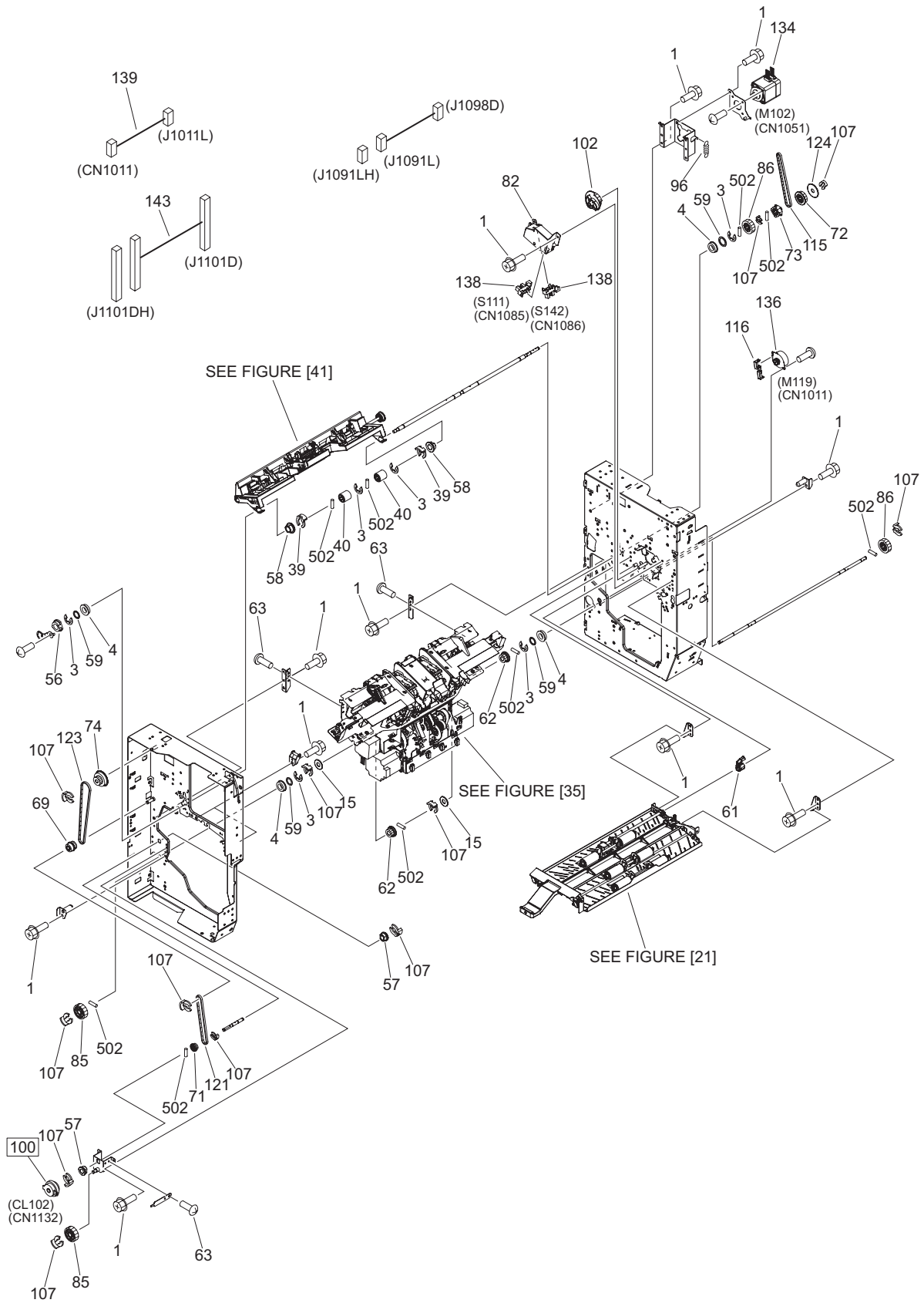


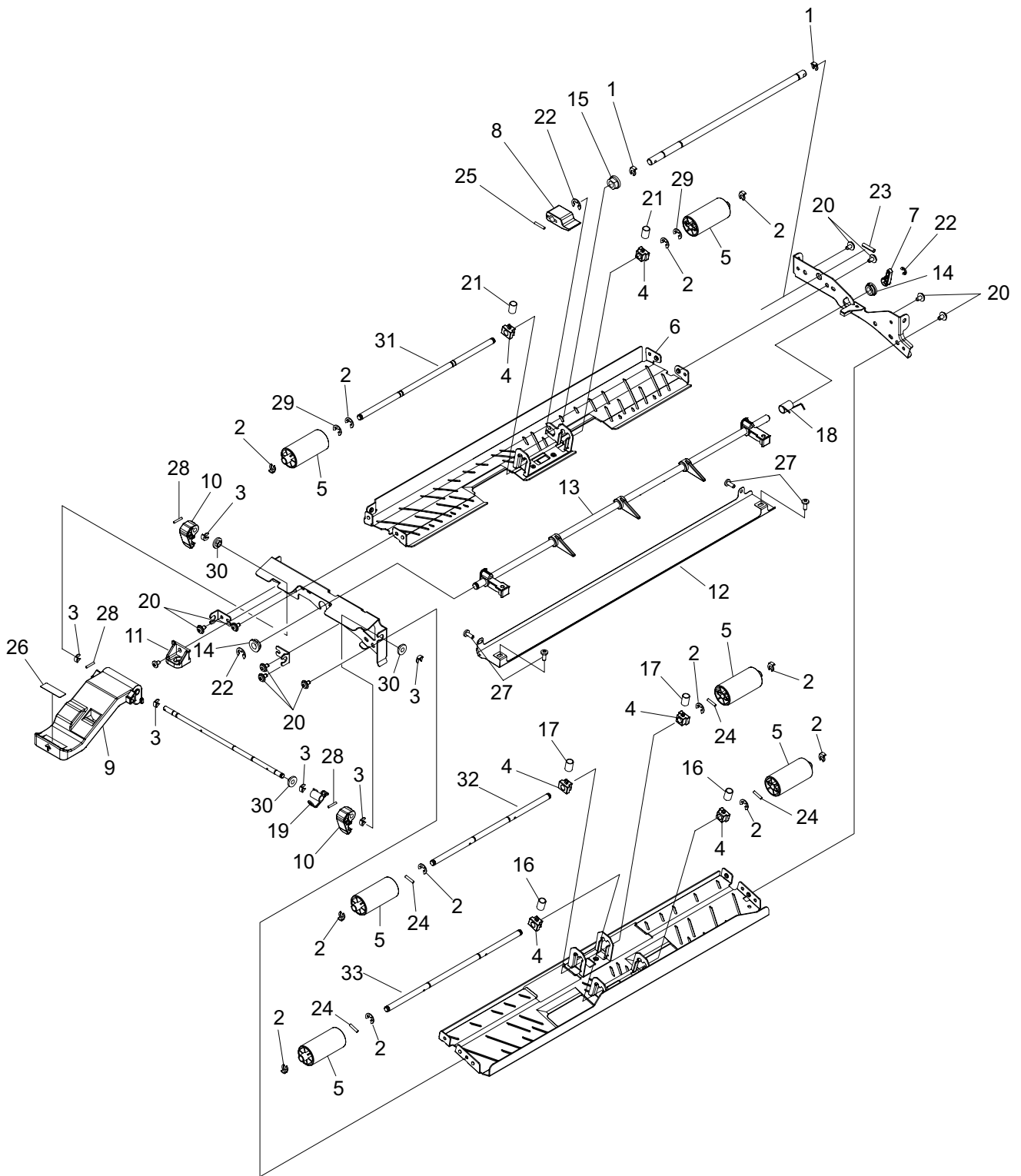


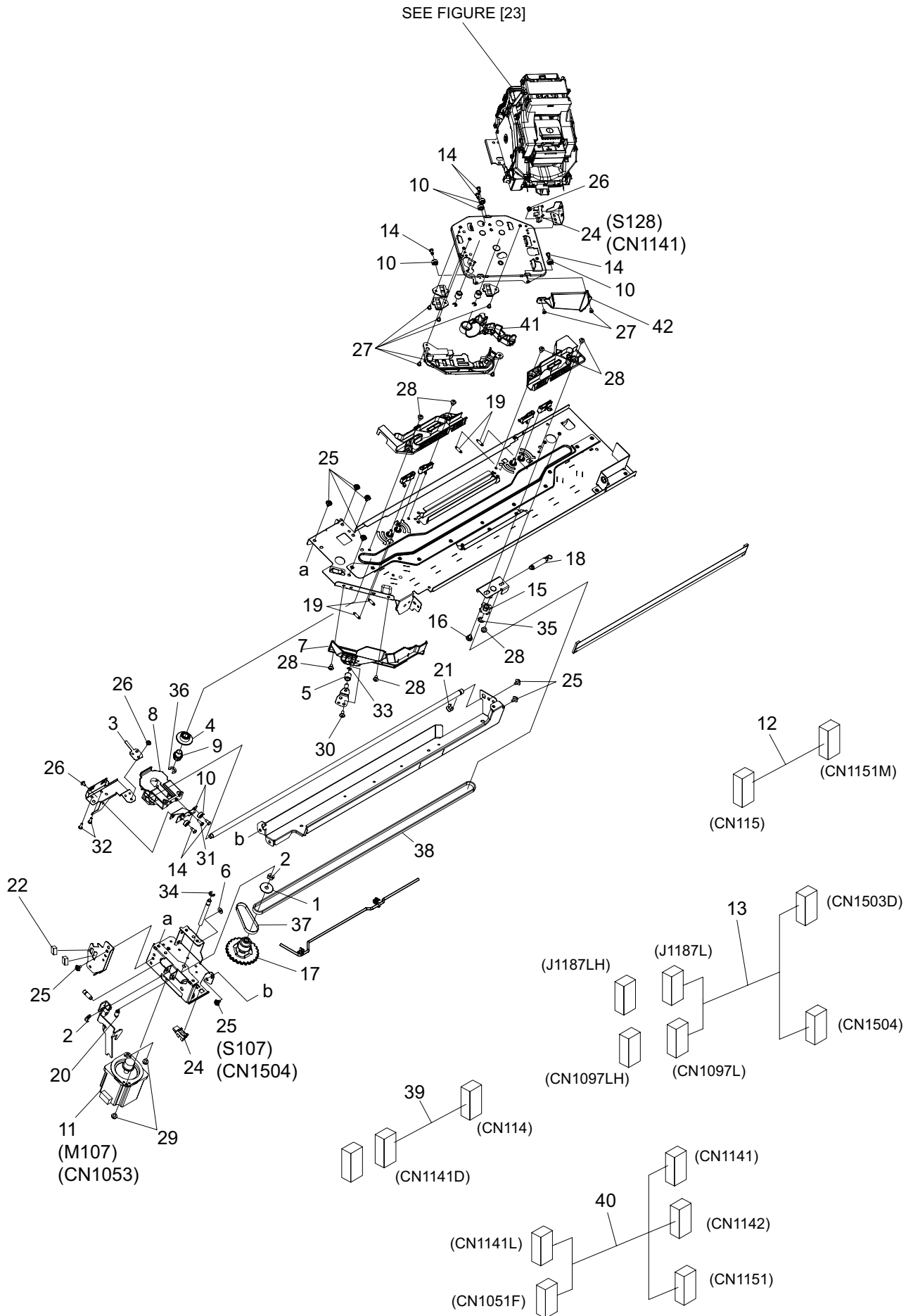


ITEM No.	PART No.	PART NAME	Q'TY / PAGE	Q'TY / PACK	REMARKS
1	6LS01654000	SCREW,RS,M4X8			
2	6LS01670000	SCREW,BINDING HEAD,M3X6,ZC3			
3	6LS01698000	E-RING			
5	6LS00593000	RETAINER			
10	6LS00937000	GUIDE,UPPER FRONT			
11	6LS01060000	HOLDER,ROLLER FRONT			
12	6LS01156000	LEVER,PAPER RETAINING			
14	6LS01048000	LEVER,HOLDER			
15	6LS00942000	FLANGE,PULLEY			
16	6LS00943000	GUIDE,UPPER REAR			
17	6LS00944000	WEIGHT,DISPOSE GUIDE			
19	6LS00946000	FLAG,SENSOR PULLEY			
21	6LS01058000	HOLDER,ROLLER,FRONT			
22	6LS01056000	COLLAR,IDLER			
23	6LS00948000	GUIDE,DISPOSE WILE,FRONT			
25	6LS00950000	GUIDE,DISPOSE WILE,REAR			
29	6LS00954000	HOLDER,CURL ROLLER,FRONT			
30	6LS00955000	HOLDER,CURL ROLLER,REAR			
31	6LS00956000	HOLDER,CURL ROLLER			
32	6LS00957000	BASE,CURL ROLLER,CENTER			
42	6LS00970000	ROLLER,REAR			
43	6LS00971000	ROLLER,PAPER RETAINING			
44	6LS00972000	LIMITER,LEVER TORQUE			
45	6LS01059000	HOLDER,ROLLER,REAR			
46	6LS01061000	HOLDER,ROLLER,REAR			
50	6LS00990000	ROLLER			
51	6LS01014000	PIN,TORQUE LIMITER SNAP			
52	6LS01026000	CLIP,CBS			
53	6LS01165000	GUIDE-FIN-KM-D-F			
54	6LS01167000	GUIDE-FIN-KM-D-R			
55	6LS01003000	BUSHING			
57	6LS01296000	BUSHING			
60	6LS01312000	SPRING,COMPRESSION			
64	6LS01367000	PULLEY,26T/16T			
66	6LS01369000	PULLEY,14T			
75	6LS01380000	PULLEY,16T			
77	6LS01383000	FLAG,SENSOR PULLEY			
83	6LS01510000	GEAR,14T			
84	6LS01016000	BUSHING			
86	6LS01516000	GEAR,24T			
89	6LS01308000	GEAR,27T			
90	6LS01520000	GEAR,27T			
94	6LS01579000	SPRING,TENSION			
105	6LS01664000	SCREW			
106	6LS01006000	BUSHING			
107	6LS00590000	CLIP			
108	6LS01739000	BELT,TIMING			
112	6LS01745000	BELT,TIMING			
113	6LS01746000	BELT,TIMING			
117	6LS01757000	BELT,TIMING			
124	6LS00221000	FLANGE			
130	6LS00587000	CLIP			
131	6LS01511000	PULLEY,20T/GEAR,38T			
132	6LS01512000	GEAR,30T			
145	6LS01164000	ROLLER ARM ASS'Y,FRONT			
146	6LS01166000	ROLLER ARM ASS'Y,REAR			
147	6LS01001000	ROLLER			
149	6LS01004000	BUSHING			
150	6LS01309000	GEAR,ROLLER			
502	6LS01714000	PIN,PARALLEL,HARD			
503	6LS01707000	PIN,SPRING			

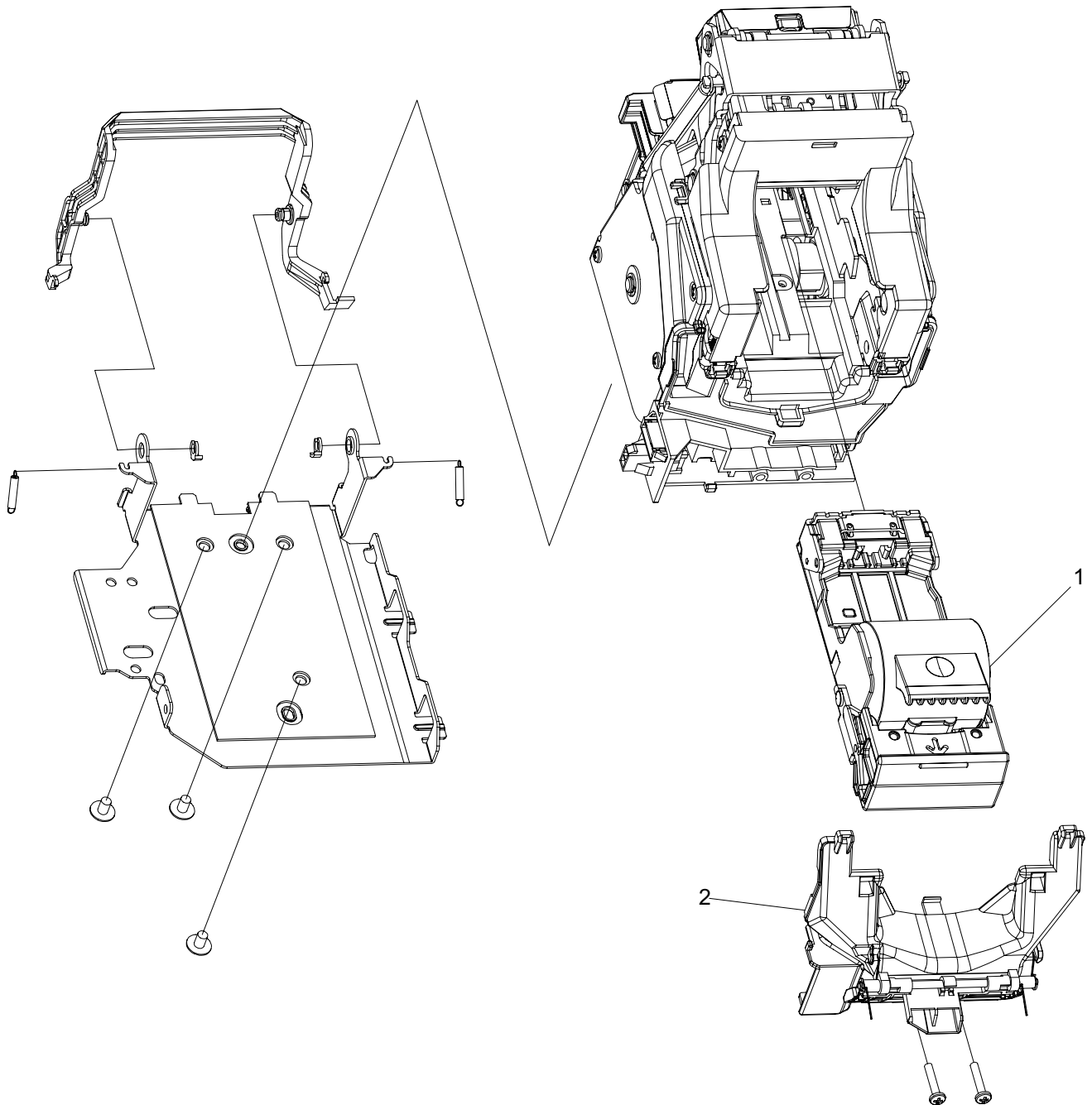
ITEM No.	PART No.	PART NAME	Q'TY / PAGE	Q'TY / PACK	REMARKS
1	6LS01654000	SCREW,RS,M4X8			
3	6LS01698000	E-RING			
4	6LS01791000	BEARING,BALL			
6	6LS00595000	BUSHING			
7	6LS00892000	JOINT,JAM DIAL			
15	6LS00942000	FLANGE,PULLEY			
18	6LS00945000	HOLDER,DISPOSE FR.ROLLER,UP.			
19	6LS00946000	FLAG,SENSOR PULLEY			
20	6LS00947000	DIAL,ENTRANCE JAM			
27	6LS00952000	RATCHET,JAM,2			
28	6LS00953000	RATCHET,JAM DIAL			
33	6LS00961000	ROLLER,DISPOSE FRONT,UPPER			
34	6LS00962000	ROLLER,BUFFER			
35	6LS00963000	ROLLER,BUFFER SIZE,SMALL			
36	6LS00964000	ROLLER,FIRST BUFFER ENTRANCE			
37	6LS00893000	LEVER,FACE-DOWN,REAR			
38	6LS00910000	LEVER,FACE-DOWN,FRONT			
39	6LS01625000	RING,STOP			
41	6LS00969000	ROLLER,BUFFER,UPPER			
48	6LS00988000	COLLAR,TENSION			
49	6LS00989000	ROLLER,SECOND BUFFER ENTRANCE			
52	6LS01026000	CLIP,CBS			
56	6LS01286000	BUSHING			
57	6LS01296000	BUSHING			
58	6LS01297000	BUSHING			
59	6LS01306000	WASHER			
63	6LS01667000	SCREW,RS			
65	6LS01368000	PULLEY,20T			
67	6LS01370000	PULLEY,16T			
68	6LS01371000	PULLEY,27T/GEAR,24T			
70	6LS01375000	PULLEY,14T			
71	6LS01376000	PULLEY,16T			
73	6LS01378000	PULLEY,25T			
76	6LS01382000	PULLEY,20T			
78	6LS01385000	PULLEY,27T			
79	6LS01386000	PULLEY,14T			
80	6LS01387000	GEAR,16T/PULLEY,16T			
86	6LS01516000	GEAR,24T			
87	6LS01517000	GEAR,18T			
88	6LS01519000	GEAR,15T			
93	6LS01578000	SPRING,COMPRESSION			
96	6LS01584000	SPRING,TENSION			
97	6LS01590000	SPRING,TENSION			
101	6LS00535000	SPACER			
107	6LS00590000	CLIP			
109	6LS01738000	BELT,TIMING			
110	6LS01740000	BELT,TIMING			
111	6LS01743000	BELT,TIMING			
114	6LS01748000	BELT,TIMING			
118	6LS01760000	BELT,TIMING			
120	6LS01775000	BELT,TIMING			
130	6LS00587000	CLIP			
133	6LS01518000	GEAR,36T			
134	6LS01105000	MOTOR,DC STEPPING			
137	6LS01110000	MOTOR,DC STEPPING			
138	6LS01642000	PHOTO-INTERRUPTER			
140	6LS01243000	CABLE,PAPER FEED MOTOR			
141	6LS01244000	CABLE,EXHAUST MOTOR			
142	6LS06255000	SHAFT			
501	6LS01712000	PIN,DOWEL			
502	6LS01714000	PIN,PARALLEL,HARD			

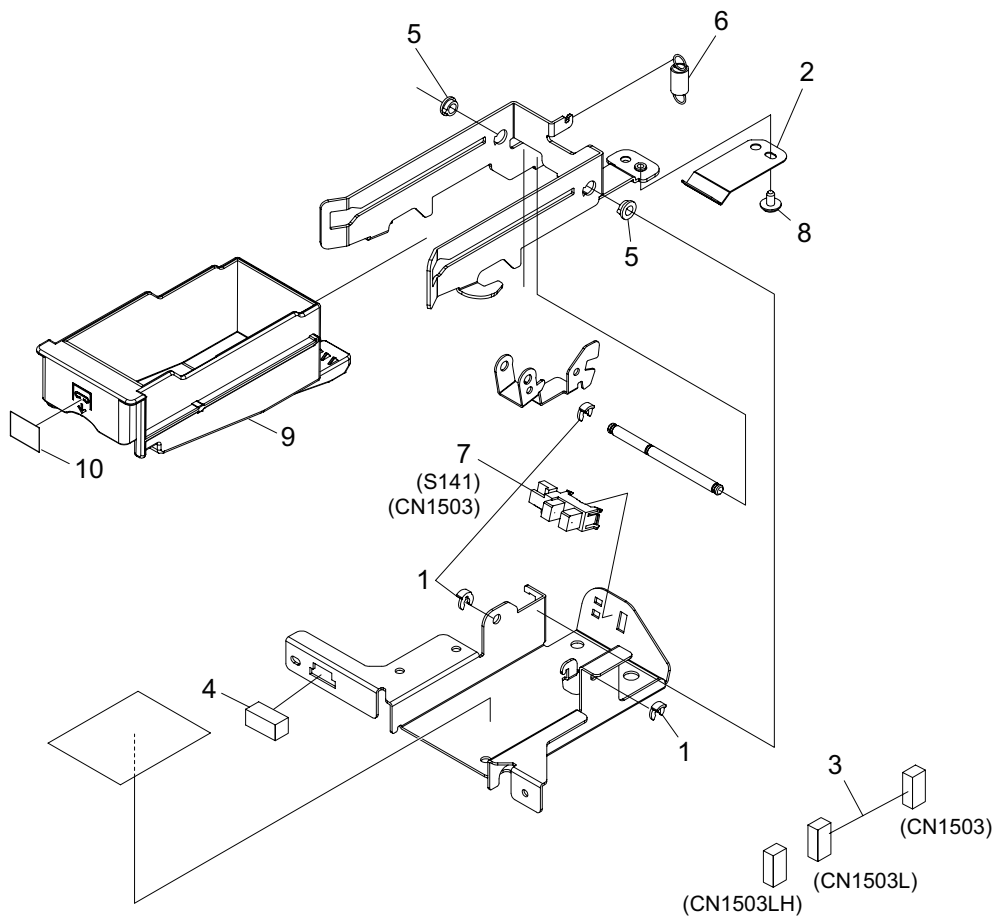




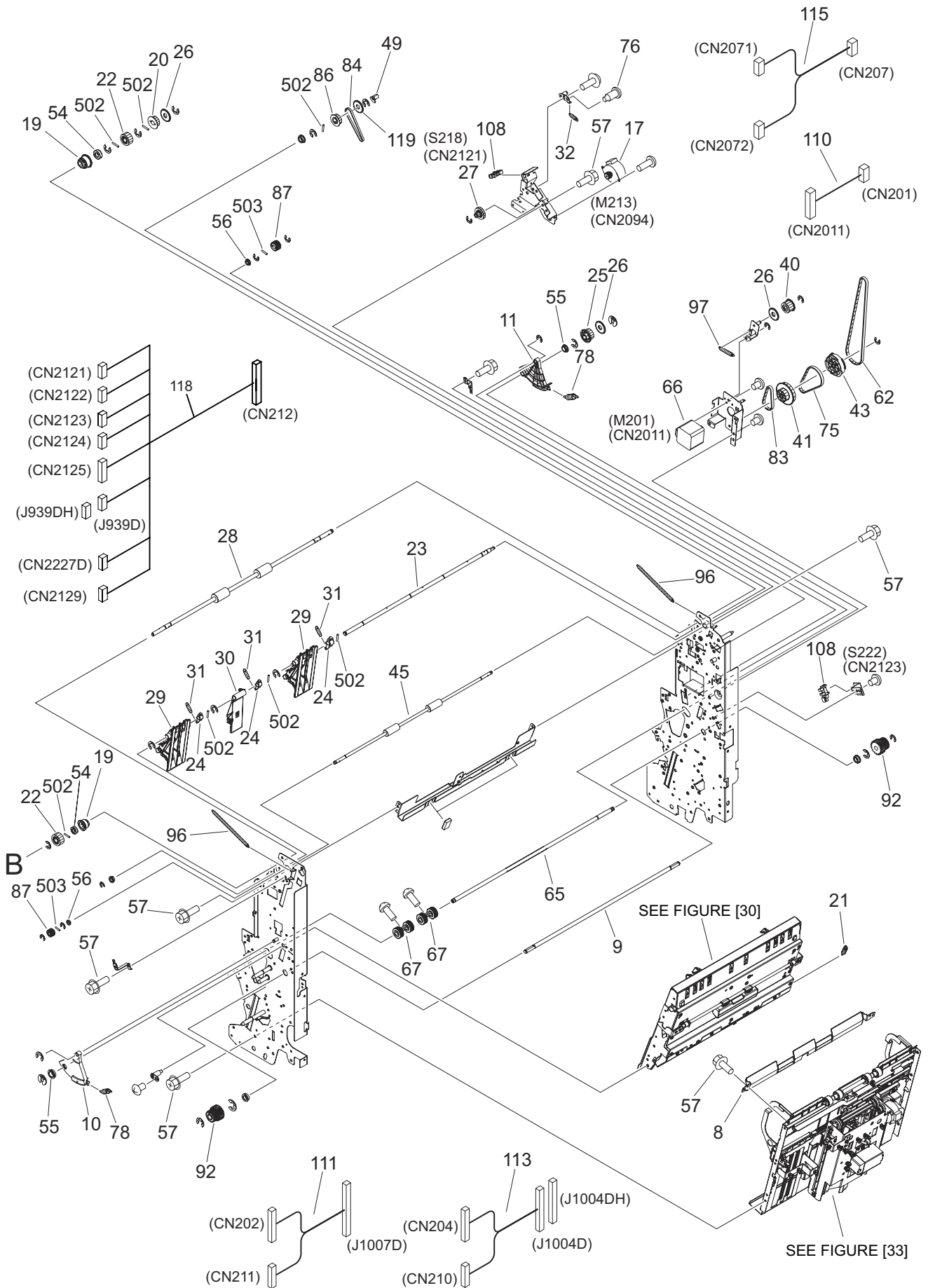


ITEM No.	PART No.	PART NAME	Q'TY / PAGE	Q'TY / PACK	REMARKS
1	6LS00221000	FLANGE			
2	6LS00590000	CLIP			
3	6LS00888000	SPRING,LEAF			
4	6LS00974000	ROLLER,STAPLER SLIDE			
5	6LS00975000	ROLLER,STAPLER FEED SWING			
6	6LS01037000	WASHER			
7	6LS01051000	BOX,STAPLE CATCH			
8	6LS01053000	HOLDER,STAPLER TRANSFER ROLLER			
9	6LS01054000	ROLLER,STAPLER TRANSFER DRIVE			
10	6LS01062000	ROLLER,STAPLER SHIFT			
11	6LS01117000	MOTOR,DC STEPPING			
12	6LS01281000	CABLE,STAPLE MOTOR			
13	6LS01160000	CABLE,STAPLE TANSFER HP SENSOR			
14	6LS01291000	SCREW,STEP			
15	6LS01388000	PULLEY,STAPLER			
16	6LS01398000	SCREW,STEP			
17	6LS01401000	DIAL,PULLEY16T/24T			
18	6LS01607000	SPRING,TENSION			
19	6LS01608000	SPRING,TENSION			
20	6LS01610000	SPRING,TENSION			
21	6LS01623000	CLIP			
22	6LS01631000	CONNECTOR,INTERFACE			
24	6LS01642000	PHOTO-INTERRUPTER			
25	6LS01655000	SCREW,RS			
26	6LS01667000	SCREW,RS			
27	6LS01670000	SCREW,BINDING HEAD,M3X6,ZC3			
28	6LS01672000	SCREW,BINDING HEAD,M4X6,ZC3			
29	6LS01680000	SCREW			
30	6LS01683000	SCREW04T080WAVE-W			
31	6LS01684000	SCREW			
32	6LS01686000	SCREW			
33	6LS01696000	E-RING			
34	6LS01697000	E-RING			
35	6LS01698000	E-RING			
36	6LS01699000	E-RING			
37	6LS01758000	BELT,TIMING			
38	6LS01783000	BELT,TIMING			
39	6LS01261000	CABLE,STAPLE SENSOR			
40	6LS01157000	CABLE,STAPLE UNIT SIDE			
41	6LS01055000	DUCT-STP-HRN			
42	6LS06256000	BKT-CATCHER-HC			
901	6LS01162000	STAPLER MOUNT ASSEMBLY			



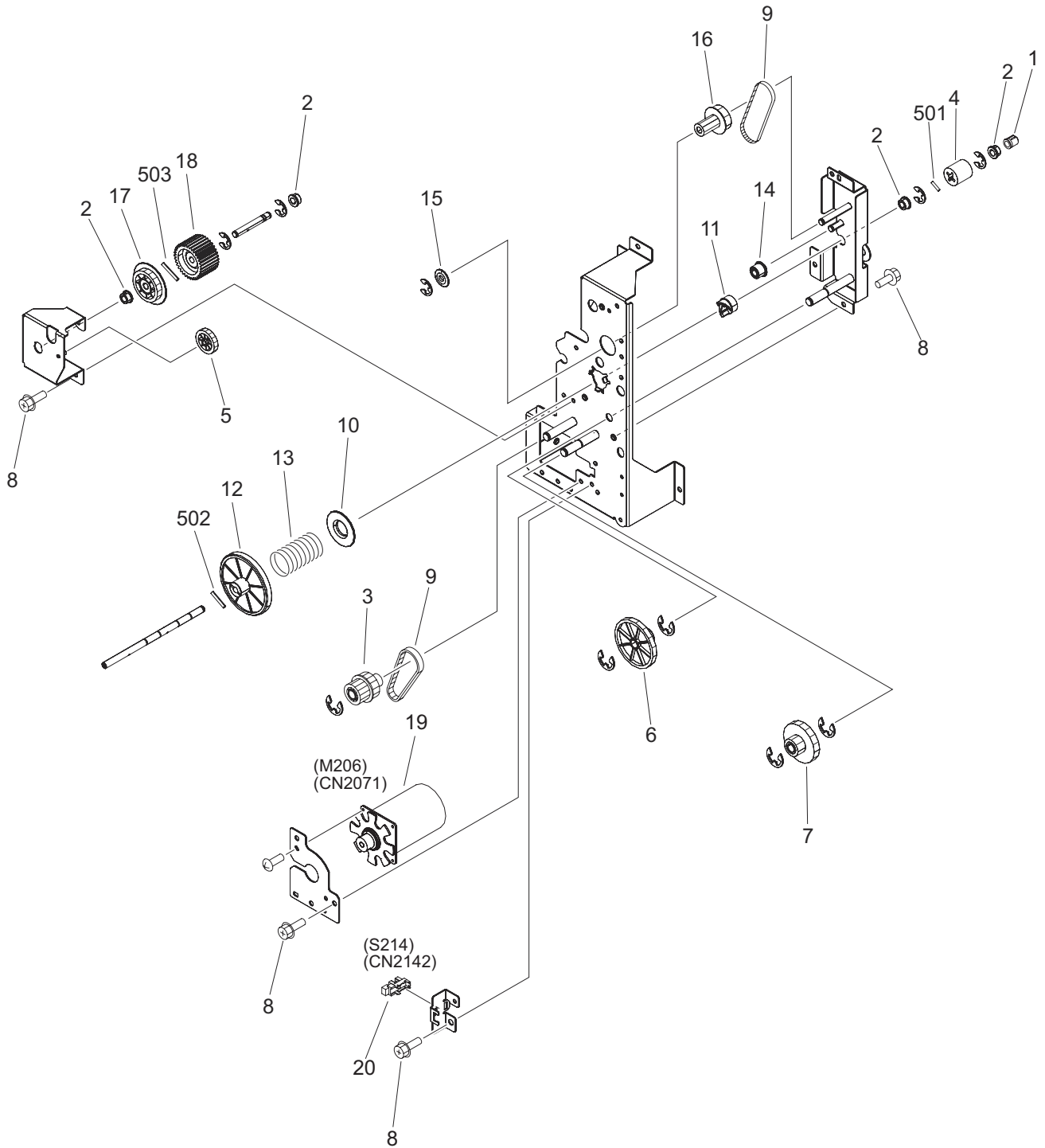


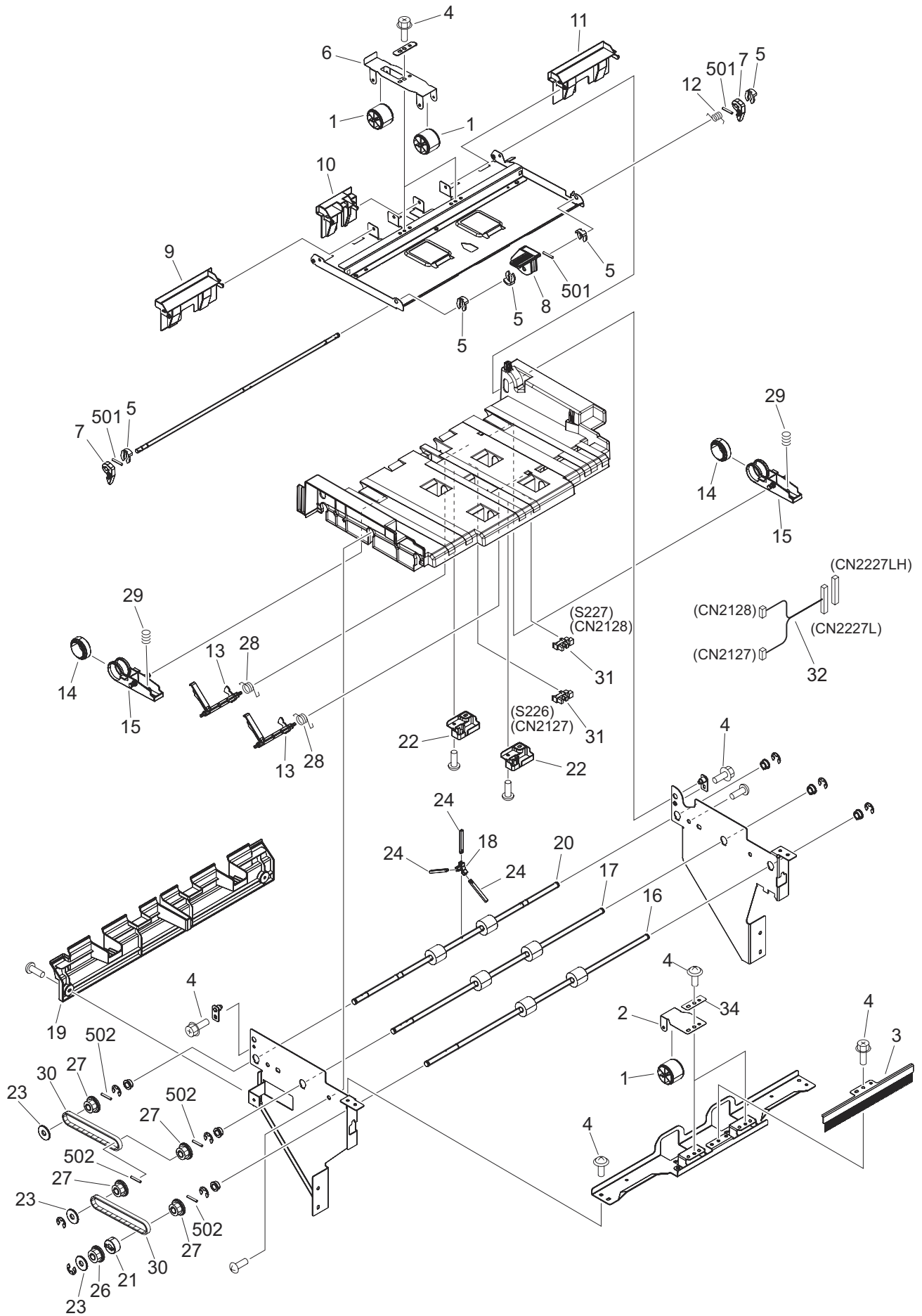
ITEM No.	PART No.	PART NAME	Q'TY / PAGE	Q'TY / PACK	REMARKS
2	6LS01473000	GERA,22T/34T			
6	6LS00702000	SHAFT,RG DRIVE S			
16	6LS00660000	GUIDE,ROLLER			
17	6LS01069000	MOTOR,STEPPING			
32	6LS01601000	SPRING,TENSION			
33	6LS00672000	HOLDER,ROLLER			
34	6LS00682000	BLOCK,SHUTTER SHIFT FRONT			
35	6LS00683000	BLOCK,SHUTTER SHIFT FRONT			
36	6LS00686000	SHEET,GUIDE			
37	6LS00697000	ROLLER,SHATTER			
38	6LS01444000	SPRING,COMPRESSION			
39	6LS01472000	GEAR,22T/48T			
46	6LS01268000	ADJUTTMENT ROLLER UNIT			
47	6LS00700000	SHAFT,ROLLER DRIVE			
48	6LS01182000	CABLE,STOPPER			
50	6LS00593000	RETAINER			
51	6LS00666000	SHAFT,ROTATION			
52	6LS00667000	SHAFT,ROLLER			
53	6LS00668000	ARM,ROLLER			
57	6LS01655000	SCREW,RS			
59	6LS00669000	ROLLER,ADJUSTMENT			
60	6LS01332000	PULLEY,18T			
61	6LS01333000	PULLEY,18T			
63	6LS01067000	MOTOR,STEPPING			
64	6LS00695000	LINK,SOLENOID			
68	6LS01074000	SOLENOID			
69	6LS01668000	SCREW			
70	6LS01303000	BUSHING			
71	6LS01328000	PULLEY,20T			
72	6LS01442000	SPRING,TENSION			
76	6LS01307000	SCREW,STEP			
77	6LS01443000	SPRING,COMPRESSION			
81	6LS01398000	SCREW,STEP			
85	6LS01749000	BELT,TIMING			
93	6LS01470000	GEAR,16T/33T			
94	6LS01471000	GEAR,16T			
95	6LS01741000	BELT,TIMING			
100	6LS00766000	ELIMINATOR,STATIC CHARGE			
105	6LS01736000	BELT,TIMING			
106	6LS00568000	RACK,SLIDE REAR			
107	6LS01269000	ADJUSTMENT ROLLER ARM UNIT			
108	6LS01642000	PHOTO-INTERRUPTER			
112	6LS01211000	CABLE,ROLLER GUIDE MOTOR			
116	6LS01217000	CABLE,SADDLE STAPLE			
117	6LS01218000	CABLE,SADDLE STOPPER MOTOR			
501	6LS01706000	PIN,SPRING			
503	6LS01713000	PIN,DOWEL			
901	6LS00516000	SADDLE UNIT			



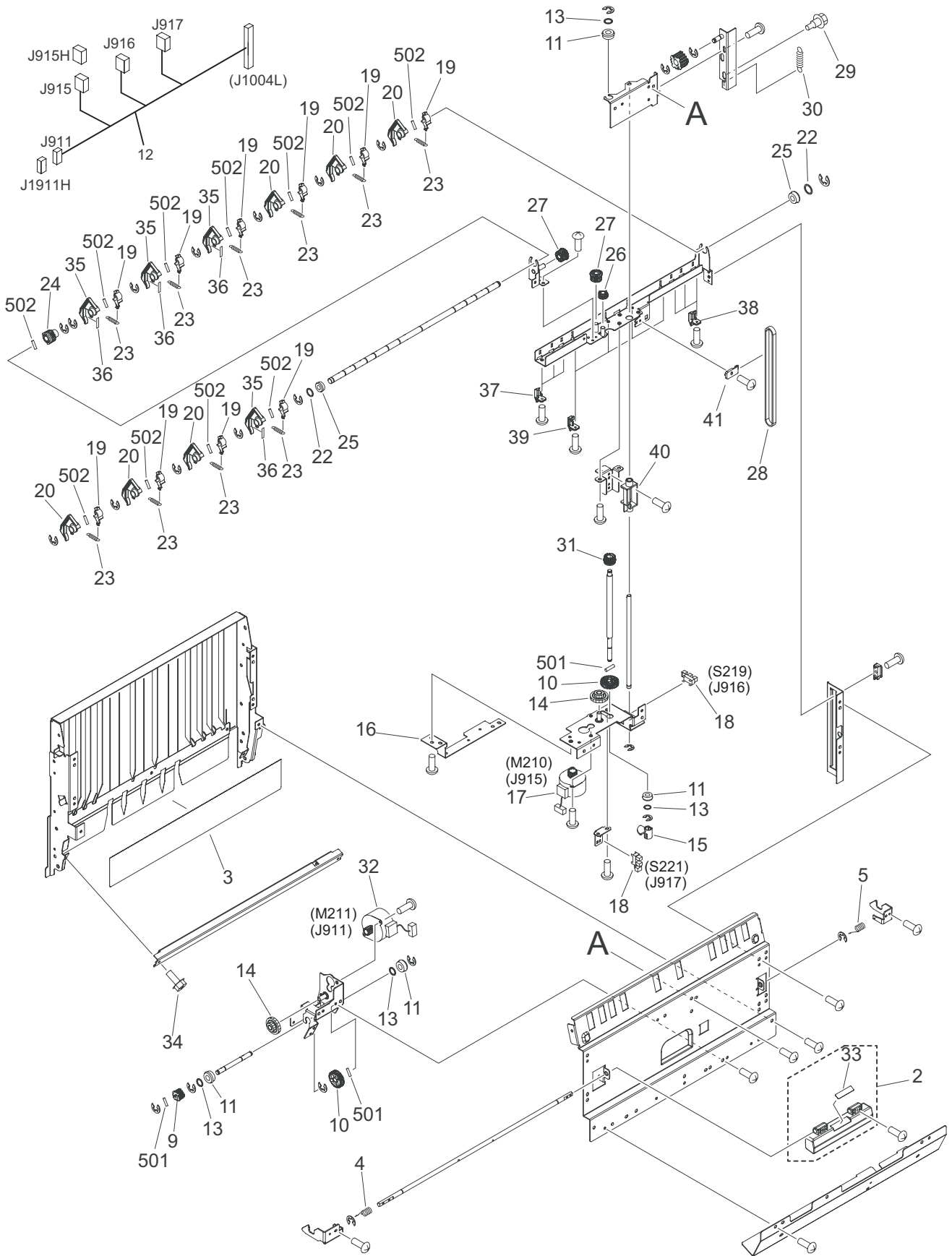
ITEM No.	PART No.	PART NAME	Q'TY / PAGE	Q'TY / PACK	REMARKS
8	6LS01180000	GUIDE UNIT, VERTICAL PASS			
9	6LS00703000	SHAFT,SADDLE IDLER GEAR			
10	6LS00712000	GEAR,13T			
11	6LS00713000	GEAR,13T			
17	6LS01069000	MOTOR,STEPPING			
19	6LS00689000	COLLAR,TENSION			
20	6LS01330000	PULLEY,20T			
21	6LS01450000	SPRING,TENSION			
22	6LS01458000	GEAR,20T			
23	6LS00673000	SHAFT			
24	6LS00674000	LEVER,HOLDER 1			
25	6LS01331000	PULLEY,21T			
26	6LS00688000	GUIDE,PULLEY			
27	6LS01468000	GEAR32T/PULLEY16T			
28	6LS00714000	ROLLER,ENTRANCE UPPER			
29	6LS01178000	ARM UNIT			
30	6LS01179000	ARM,CENTER			
31	6LS01447000	SPRING,TENSION			
32	6LS01601000	SPRING,TENSION			
40	6LS01329000	PULLEY,IDLER			
41	6LS01324000	PULLEY,30T/50T			
43	6LS01325000	PULLEY,50T			
45	6LS00715000	ROLLER,ENTRANCE LOWER			
49	6LS00681000	FLAG,SENSOR			
54	6LS01789000	BEARING,BALL			
55	6LS01790000	BEARING,BALL			
56	6LS01792000	BEARING,BALL			
57	6LS01655000	SCREW,RS			
62	6LS01782000	BELT,TIMING			
65	6LS00704000	SHAFT,ESTRANGEMENT ROLLER C			
66	6LS01099000	MOTOR,DC STEPPING			
67	6LS01126000	ROLLER			
75	6LS01773000	BELT,TIMING			
76	6LS01307000	SCREW,STEP			
78	6LS01604000	SPRING,TENSION			
83	6LS01758000	BELT,TIMING			
84	6LS01744000	BELT,TIMING			
86	6LS01336000	PULLEY,30T			
87	6LS01461000	GEAR,18T			
92	6LS01466000	GEAR,24T/24T			
96	6LS01603000	SPRING,TENSION			
97	6LS01602000	SPRING,TENSION			
108	6LS01642000	PHOTO-INTERRUPTER			
110	6LS01209000	CABLE,SADDLE TRANSFER MOTOR			
111	6LS01210000	CABLE,SADDLE EDGE STOPPER			
113	6LS01212000	CABLE,SADDLE REAR END GUIDE			
115	6LS01216000	CABLE,SADDLE DC MOTOR			
118	6LS01219000	CABLE,SADDLE SENSOR IF			
119	6LS00332000	GUIDE,SADDLE PULLEY			
502	6LS01714000	PIN,PARALLEL,HARD			
503	6LS01713000	PIN,DOWEL			
901	6LS00516000	SADDLE UNIT			

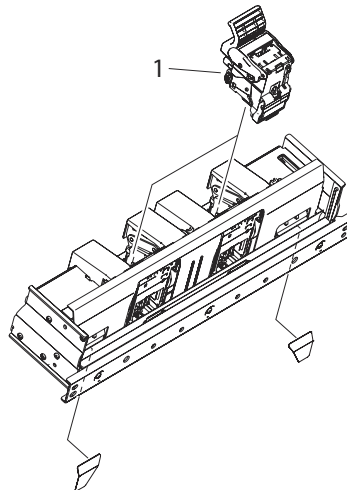
ITEM No.	PART No.	PART NAME	Q'TY / PAGE	Q'TY / PACK	REMARKS
3	6LS00368000	KNOB,JAM RELEASE			
4	6LS00698000	ELIMINATOR,STATIC CHARGE			
5	6LS00369000	KNOB			
7	6LS00699000	ELIMINATOR,STATIC CHARGE			
10	6LS00768000	BASE-SDL-HDL-1			
12	6LS00761000	ROLLER,SADDLE			
13	6LS00342000	COVER,SADDLE INNER			
15	6LS01125000	ELIMINATOR,STATIC CHARGE			
18	6LS01173000	ROLLER BASE UNIT			
42	6LS01089000	PHOTO-INTERRUPTER			
44	6LS00694000	FLANGE,PULLEY			
54	6LS01789000	BEARING,BALL			
57	6LS01655000	SCREW,RS			
73	6LS01537000	SPRING,TENSION			
74	6LS01778000	BELT,TIMING			
80	6LS01536000	SPRING,TENSION			
82	6LS01539000	SPRING,TORSION			
88	6LS01462000	GEAR17T/PULLEY32T			
89	6LS01463000	GEAR,17T			
90	6LS01464000	GEAR 17T/PULLEY38T			
91	6LS01465000	GEAR,17T			
98	6LS00764000	FLAG,ROLLER SENSOR			
99	6LS00765000	ROLLER,POSITION			
101	6LS00377000	COVER,HANDLE			
103	6LS00795000	ELIMINATOR,STATIC CHARGE			
104	6LS00378000	HANDLE			
109	6LS01226000	SADDLE JAM PWB			
114	6LS01213000	CABLE,ENTRANCE IF			
119	6LS01221000	CABLE,SADDLE POWER SUPPLY			
120	6LS01222000	CABLE,SADDLE DC MOTOR SENSOR			
121	6LS01223000	CABLE,SADDLE IF			
122	6LS01224000	CABLE,SADDLE IF			
123	6LS01225000	CABLE,SADDLE IF TRIMMER			
124	6LS00762000	ARM,UPPER REAR			
125	6LS00763000	ARM,UPPER FRONT			
126	6LS00783000	ARM,LOWER FRONT			
127	6LS00784000	ARM,LOWER REAR			
901	6LS00516000	SADDLE UNIT			

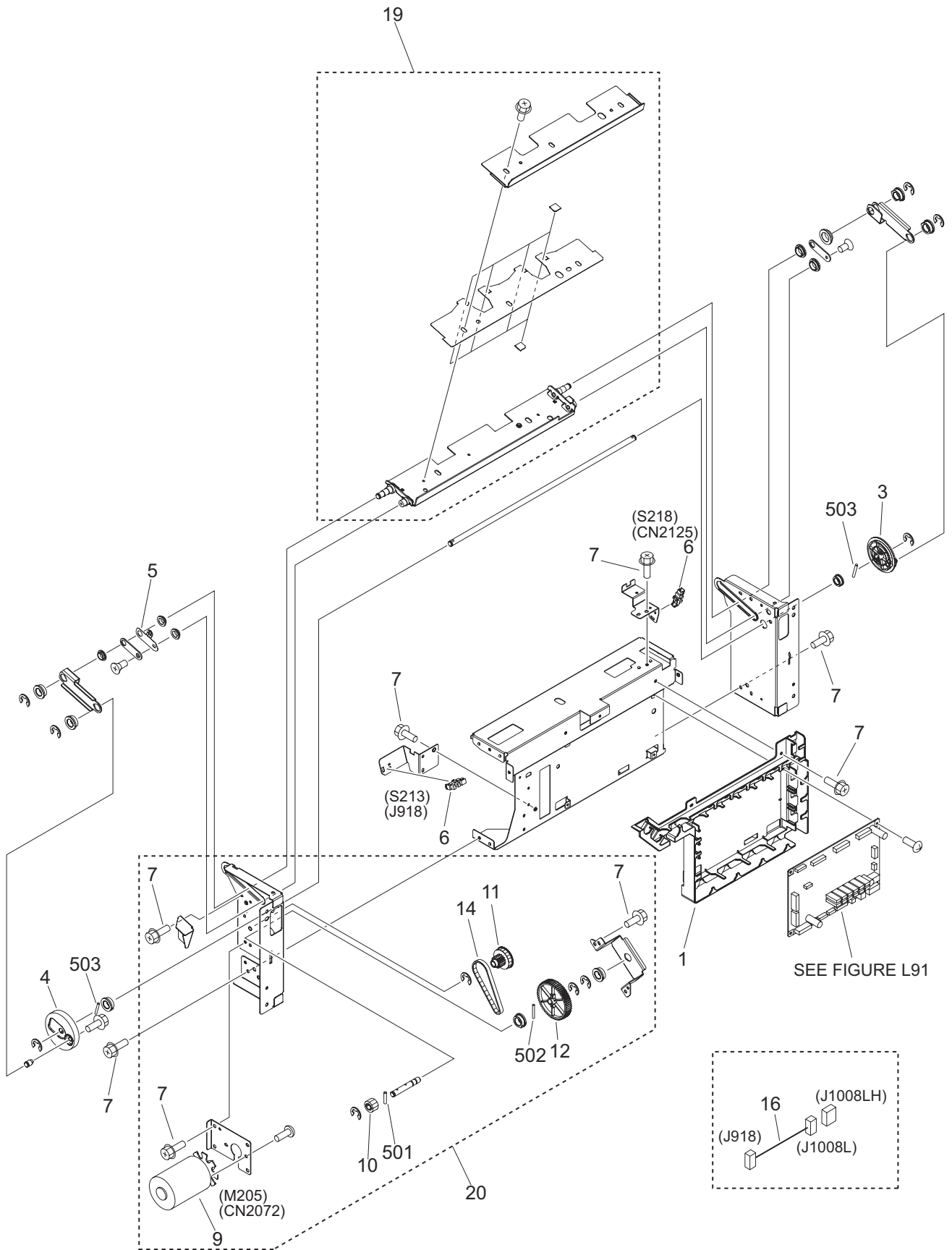


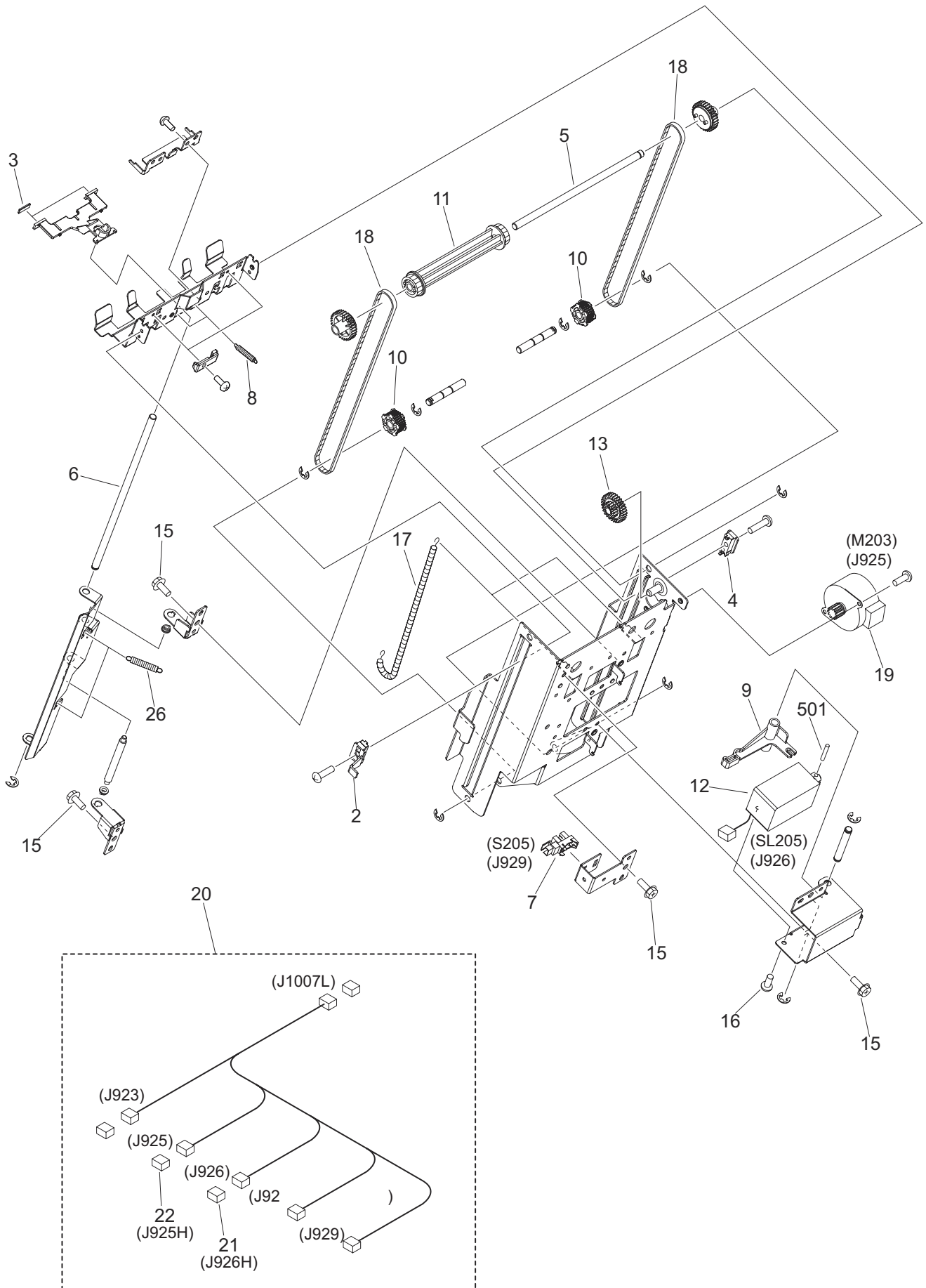


ITEM No.	PART No.	PART NAME	Q'TY / PAGE	Q'TY / PACK	REMARKS
1	6LS00776000	ROLLER,SADDLE PAPER TANSFER			
2	6LS00779000	PLATE,ROLLER HOLDER			
3	6LS00780000	ELIMINATOR,STATIC CHARGE			
4	6LS01655000	SCREW,RS			
5	6LS00590000	CLIP			
6	6LS00775000	PLATE,ROLLER HOLDER			
7	6LS00777000	LATCH,PAPER TRANSFER JAM RELEASE			
8	6LS00778000	HANDLE,PAPER TRANSFER JAM RELEASE			
9	6LS00380000	SHUTTER,DELIVERY GUIDE 1			
10	6LS00381000	SHUTTER,DELIVERY GUIDE 2			
11	6LS00382000	SHUTTER,DELIVERY GUIDE 3			
12	6LS01542000	SPRING,TORSION			
13	6LS00769000	LEVER,SADDLE PAPER TRANSFER SENSOR			
14	6LS00770000	ROLLER,PAPER TRANSFER			
15	6LS00771000	ARM,PAPER TRANSFER			
16	6LS00772000	ROLLER,PAPER TRANSFER 1			
17	6LS00773000	ROLLER,PAPER TRANSFER 2			
18	6LS00774000	PADDLE,PAPER TRANSFER			
19	6LS00379000	COVER,PAPER TRANSFER LOWER			
20	6LS00793000	ROLLER,PAPER TRANSFER 3			
21	6LS00796000	CLUTCH,ONEWAY			
22	6LS00797000	COVER,PAPER TRANSFER SENSOR			
23	6LS00799000	FLANGE			
24	6LS00807000	PADDLE			
26	6LS01343000	PULLEY,20T			
27	6LS01344000	PULLEY,19T			
28	6LS01540000	SPRING,TORSION			
29	6LS01541000	SPRING,COMPRESSION			
30	6LS01774000	BELT,TIMING			
31	6LS01642000	PHOTO-INTERRUPTER			
32	6LS01220000	CABLE,DELIVERY PASS SENSOR			
34	6LS00428000	SP SUPPORT PLATE			
501	6LS01714000	PIN,PARALLEL,HARD			
502	6LS01716000	PIN,PARALLEL,HARD			
901	6LS00517000	SADDLE DELIVERY PATH ASSY			

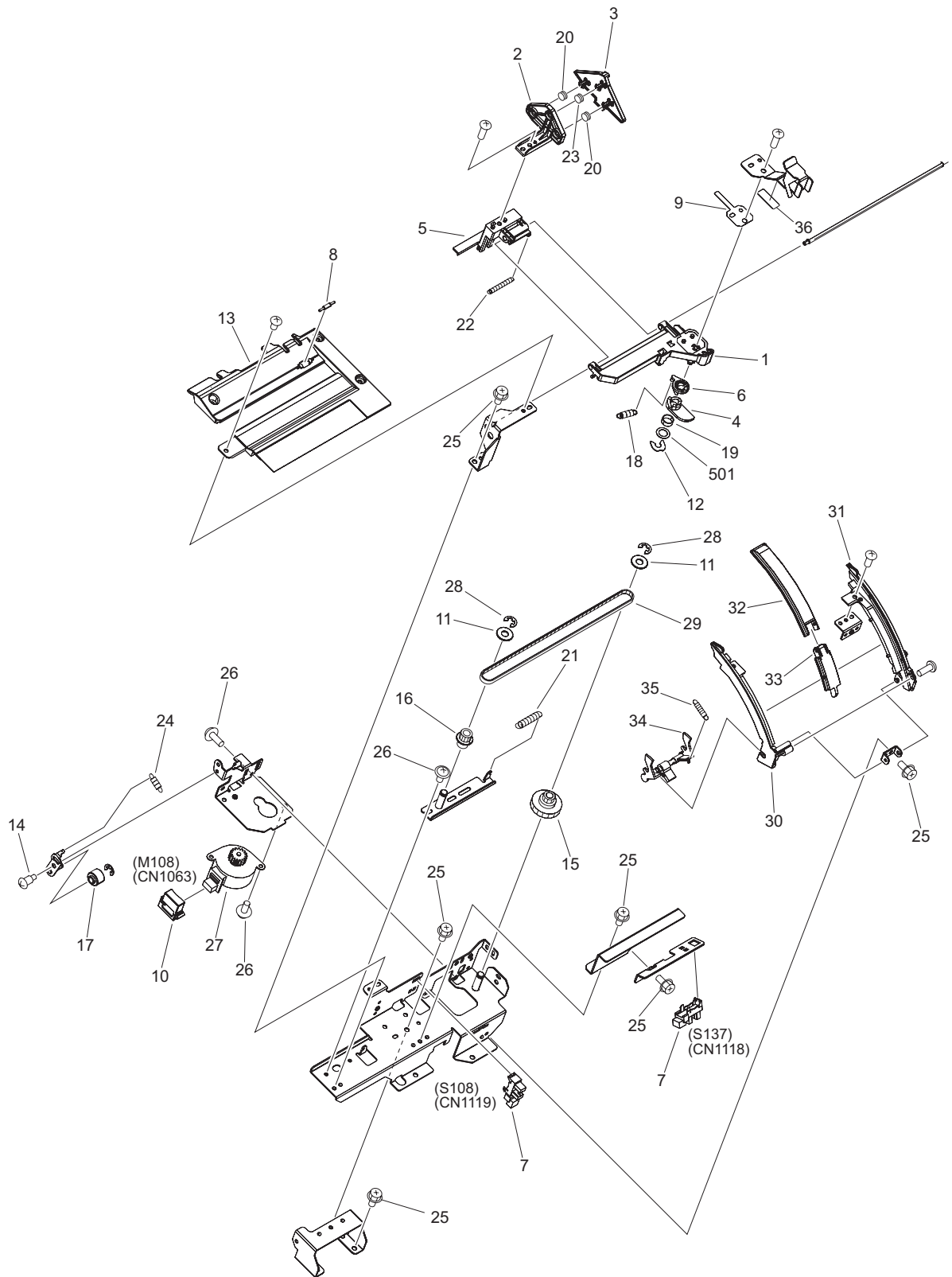




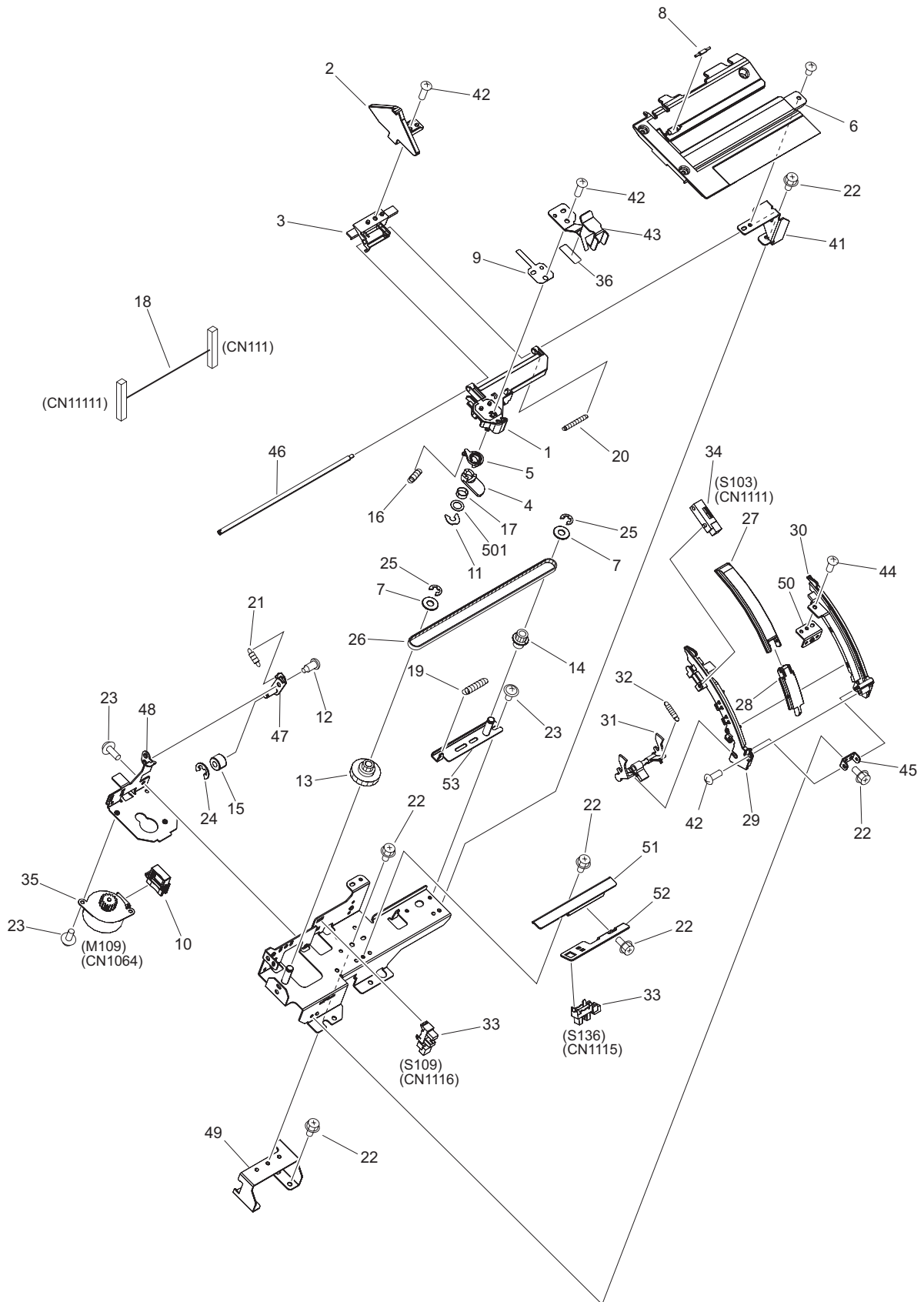


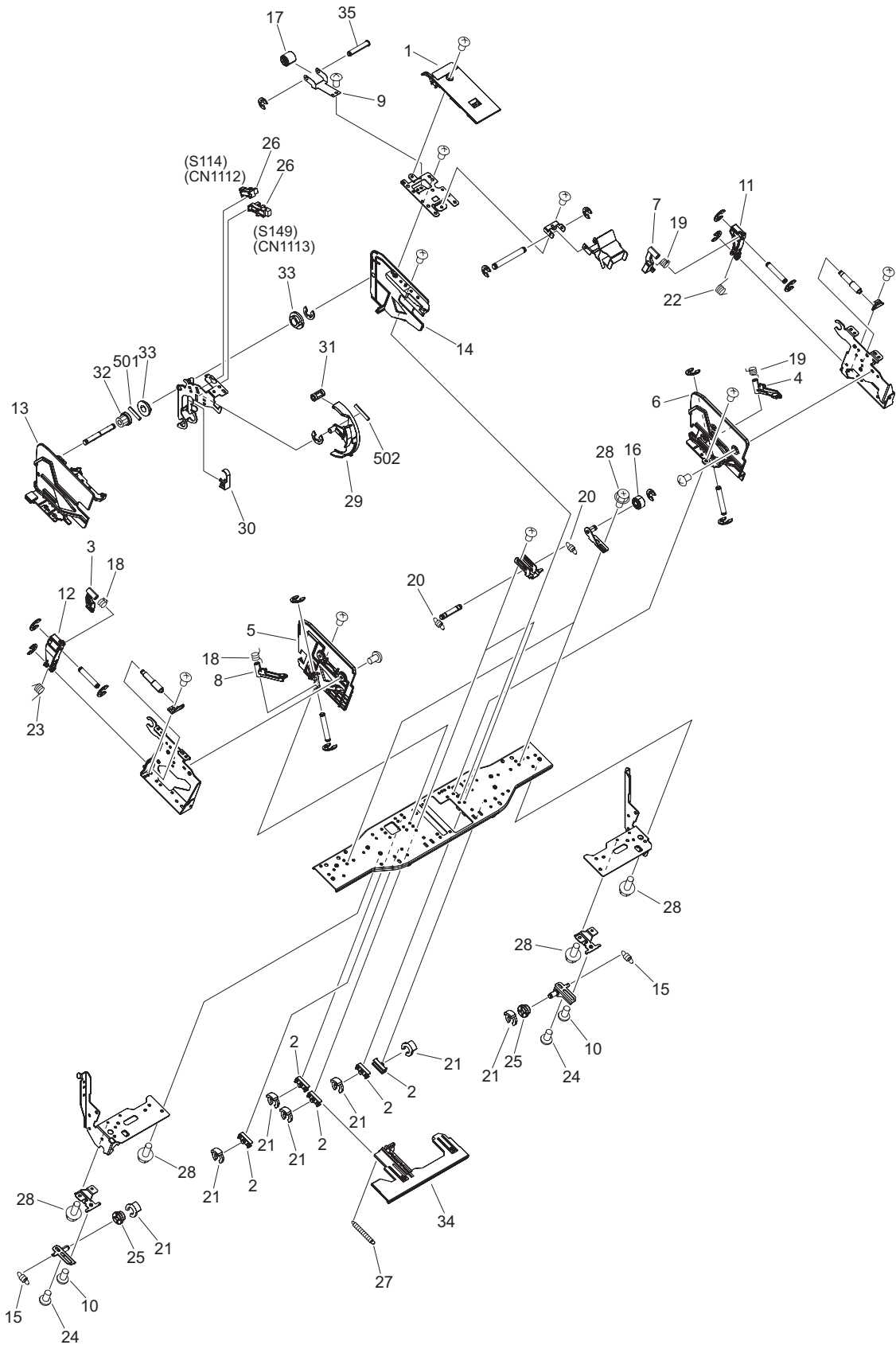


ITEM No.	PART No.	PART NAME	Q'TY / PAGE	Q'TY / PACK	REMARKS
1	6LS00590000	CLIP			
2	6LS00992000	TORQUE LIMITER,SUB GUIDE			
3	6LS01296000	BUSHING			
4	6LS01356000	PULLEY,20T			
5	6LS01506000	GEAR,20T			
6	6LS01508000	GEAR,19T/24T			
7	6LS01667000	SCREW,RS			
8	6LS01664000	SCREW			
9	6LS01699000	E-RING			
10	6LS00889000	TORQUE LIMITER,HOLD			
11	6LS00942000	FLANGE,PULLEY			
12	6LS01026000	CLIP,CBS			
13	6LS01286000	BUSHING			
14	6LS01357000	PULLEY,16T			
15	6LS01358000	PULLEY,16T			
16	6LS01258000	CABLE,Y-OHP SENSOR			
17	6LS01505000	GEAR,22T			
18	6LS00587000	CLIP			
19	6LS01747000	BELT,TIMING			
20	6LS00875000	LEVER,PAPER HOLDER FRONT			
21	6LS00876000	LEVER,PAPER HOLDER REAR			
22	6LS01742000	BELT,TIMING			
23	6LS01698000	E-RING			
24	6LS00965000	ROLLER,DELIVERY FRONT			
25	6LS00966000	ROLLER,DELIVERY REAR			
26	6LS00967000	ROLLER,DELIVERY			
27	6LS01359000	PULLEY,20T			
28	6LS01306000	WASHER			
29	6LS01750000	BELT,TIMING			
30	6LS01791000	BEARING,BALL			
31	6LS01354000	PULLEY,20T			
32	6LS01507000	GEAR,16T			
33	6LS01642000	PHOTO-INTERRUPTER			
34	6LS01112000	MOTOR,DC STEPPING			
35	6LS01241000	CABLE,FACE DOWN MOTOR			
36	6LS01247000	CABLE,MOTOR UNIT SIDE			
37	6LS01249000	CABLE,GRIPER MOTOR UNIT SIDE			
38	6LS01255000	CABLE,GRIPER SENSOR UNIT SIDE			
39	6LS01257000	CABLE,SENSOR UNIT SIDE			
501	6LS01712000	PIN,DOWEL			
502	6LS01714000	PIN,PARALLEL,HARD			

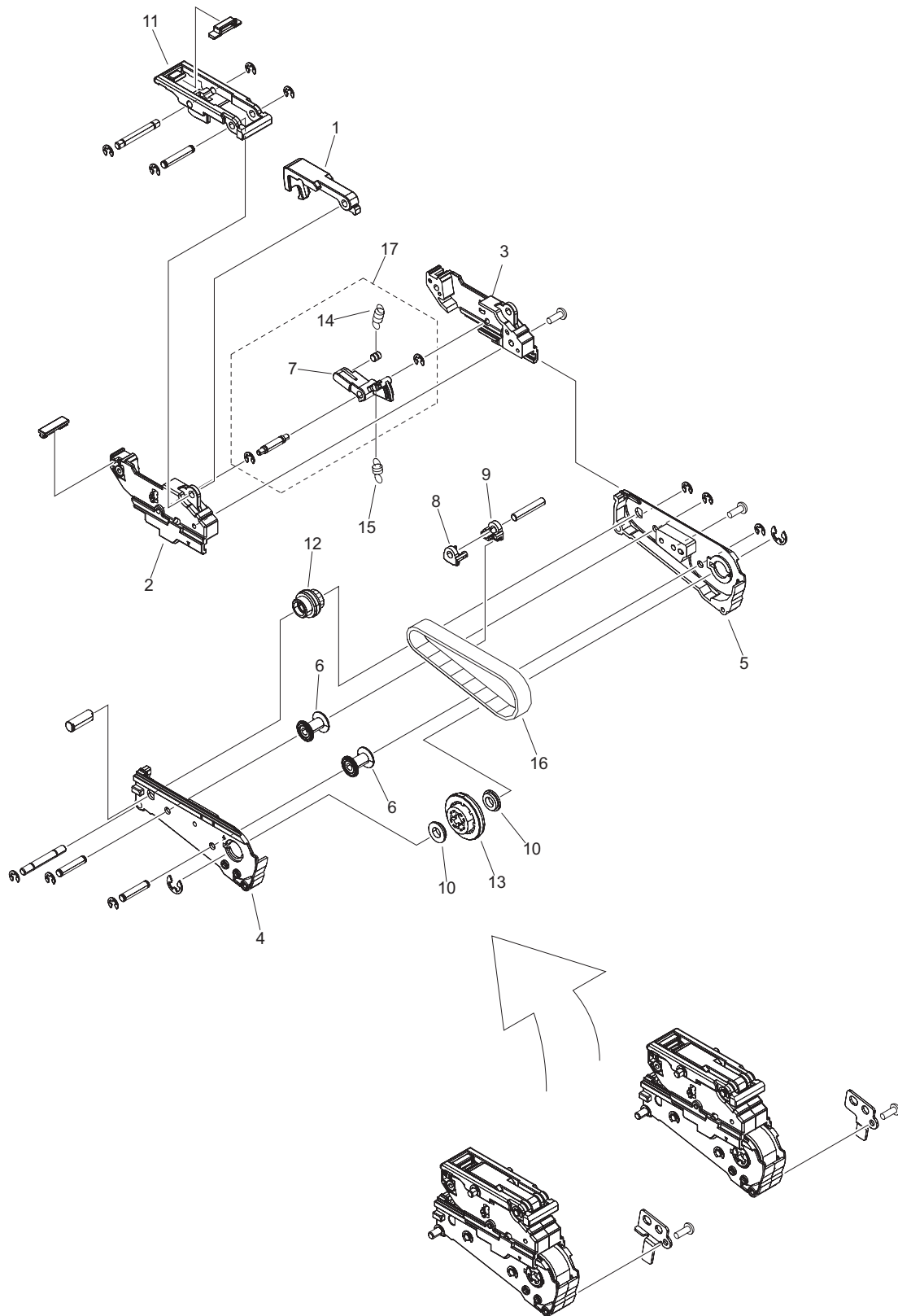


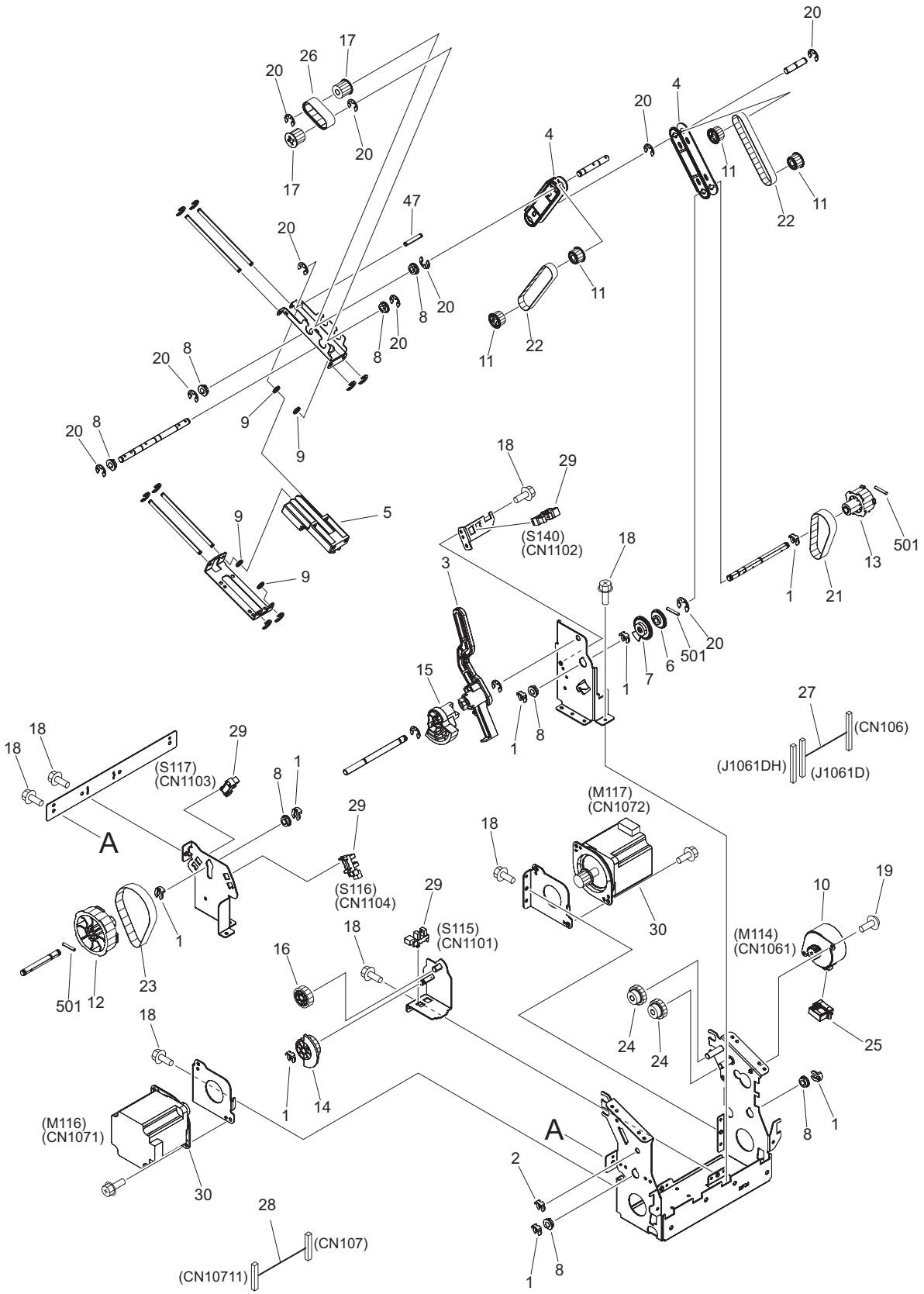
ITEM No.	PART No.	PART NAME	Q'TY / PAGE	Q'TY / PACK	REMARKS
1	6LS00867000	HOLDER,ADJUSTMENT FRONT			
2	6LS00869000	PLATE,ADJUSTMENT FRONT			
3	6LS01146000	PLATE,SUB ADJUSTMENT FRONT			
4	6LS00877000	LEVER,ADJUSTMENT FRONT			
5	6LS00878000	PLATE,ADJUSTMENT FRONT LOWER			
6	6LS00882000	LATCH,ADJUSTMENT FRONT			
7	6LS01642000	PHOTO-INTERRUPTER			
8	6LS00887000	ROLLER,SUB GUIDE			
9	6LS00888000	SPRING,LEAF			
10	6LS00891000	COVER,MOTOR CONNECTOR			
11	6LS00942000	FLANGE,PULLEY			
12	6LS01026000	CLIP,CBS			
13	6LS00375000	SHEET,TRAY FRONT			
14	6LS01400000	SCREW,STEP			
15	6LS01352000	GEAR30T/PULLEY16T			
16	6LS01353000	PULLEY,16T			
17	6LS01404000	ROLLER,SUB GUIDE TENSION			
18	6LS01560000	SPRING,TENSION			
19	6LS01561000	SPRING,COMPRESSION			
20	6LS01562000	SPRING,COMPRESSION			
21	6LS01564000	SPRING,TENSION			
22	6LS01565000	SPRING,TENSION			
23	6LS01566000	SPRING,LEAF			
24	6LS01567000	SPRING,TENSION			
25	6LS01667000	SCREW,RS			
26	6LS01664000	SCREW			
27	6LS01109000	MOTOR,DC STEPPING			
28	6LS01699000	E-RING			
29	6LS01752000	BELT,TIMING			
30	6LS00870000	HOLDER,SUB GUIDE F F			
31	6LS00871000	HOLDER,SUB GUIDE F R			
32	6LS00872000	GUIDE,SUB UPPER			
33	6LS00873000	GUIDE,SUB LOWER			
34	6LS00885000	FLAG,SUB GUIDE			
35	6LS01563000	SPRING,TENSION			
36	6LS00447000	STOPPER SHEET			
501	6LS01692000	WASHER			

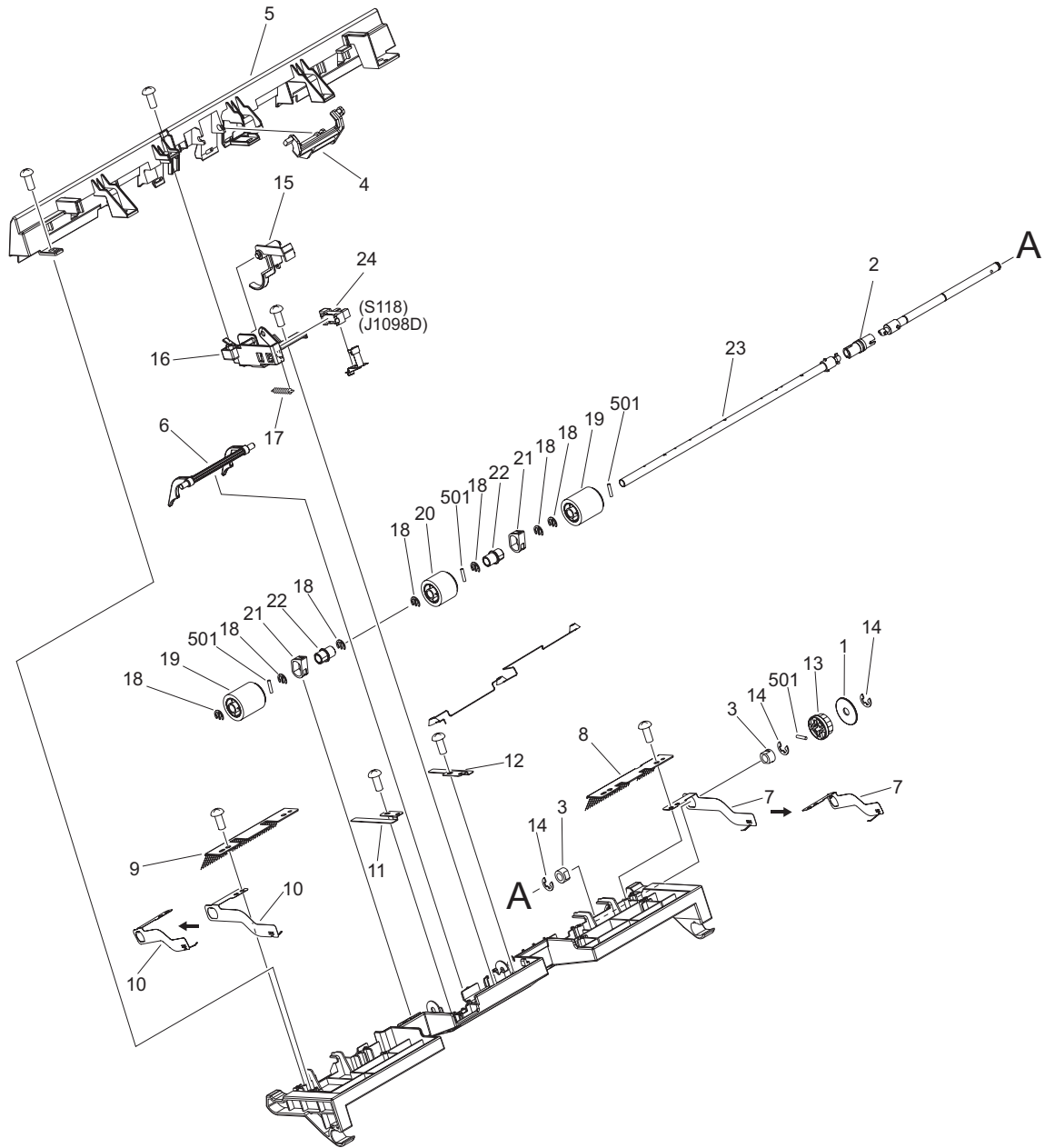


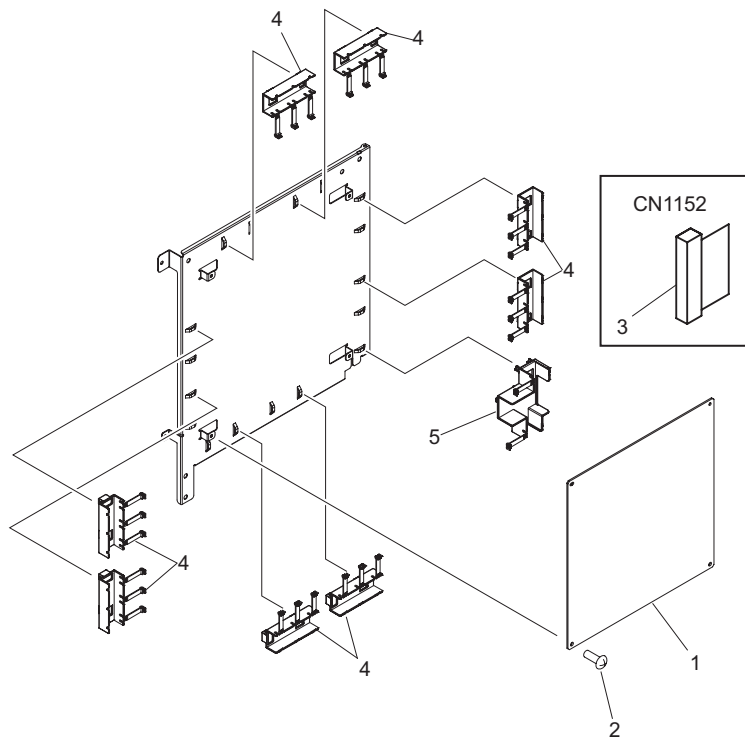


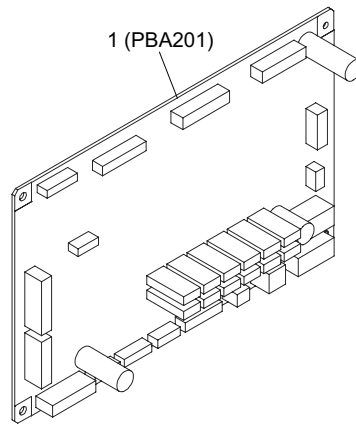
ITEM No.	PART No.	PART NAME	Q'TY / PAGE	Q'TY / PACK	REMARKS
1	6LS00911000	SHEET,TRAY CENTER			
2	6LS00924000	HOLDER,STAPLER STOPPER			
3	6LS00920000	STOPPER,GRIPER FRONT			
4	6LS00921000	STOPPER,GRIPER REAR			
5	6LS00922000	ARM,CAM PLATE FRONT			
6	6LS00923000	ARM,CAM PLATE REAR			
7	6LS00927000	HOLDER,OPEN/CLOSE REAR			
8	6LS00929000	STOPPER,GRIPER REAR FRONT			
9	6LS00933000	SPRING,LEAF			
10	6LS01400000	SCREW,STEP			
11	6LS01137000	ARM,LOCK PREVENT REAR			
12	6LS01138000	ARM,LOCK PREVENT FRONT			
13	6LS01139000	PLATE,ARM CAM CENTER REAR			
14	6LS01140000	PLATE,ARM CAM CENTER FRONT			
15	6LS01600000	SPRING,TENSION			
16	6LS01405000	ROLLER,GRIPER IDLER			
17	6LS01406000	ROLLER			
18	6LS01571000	SPRING,TORSION			
19	6LS01572000	SPRING,TORSION			
20	6LS01573000	SPRING,TENSION			
21	6LS00587000	CLIP			
22	6LS01598000	SPRING,TORSION			
23	6LS01599000	SPRING,TORSION			
24	6LS01665000	SCREW			
25	6LS01359000	PULLEY,20T			
26	6LS01642000	PHOTO-INTERRUPTER			
27	6LS01570000	SPRING,TENSION			
28	6LS01667000	SCREW,RS			
29	6LS00874000	LEVER,PAPER HOLDER CENTER			
30	6LS00886000	COVER,PAPER HOLDER CABLE			
31	6LS00427000	PAD,PAPER HOLD			
32	6LS01355000	PULLEY,14T			
33	6LS01403000	BUSHING			
34	6LS00931000	STOPPER,STAPLER			
35	6LS00932000	CENTER SHAFT			
501	6LS01710000	PIN,PARALLEL,HARD			
502	6LS01711000	PIN,PARALLEL,HARD			

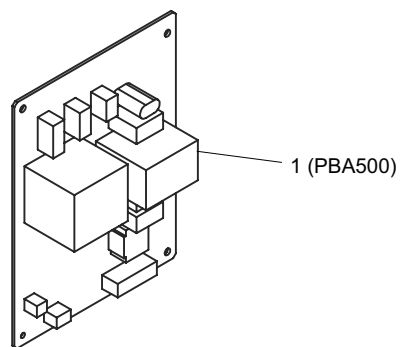


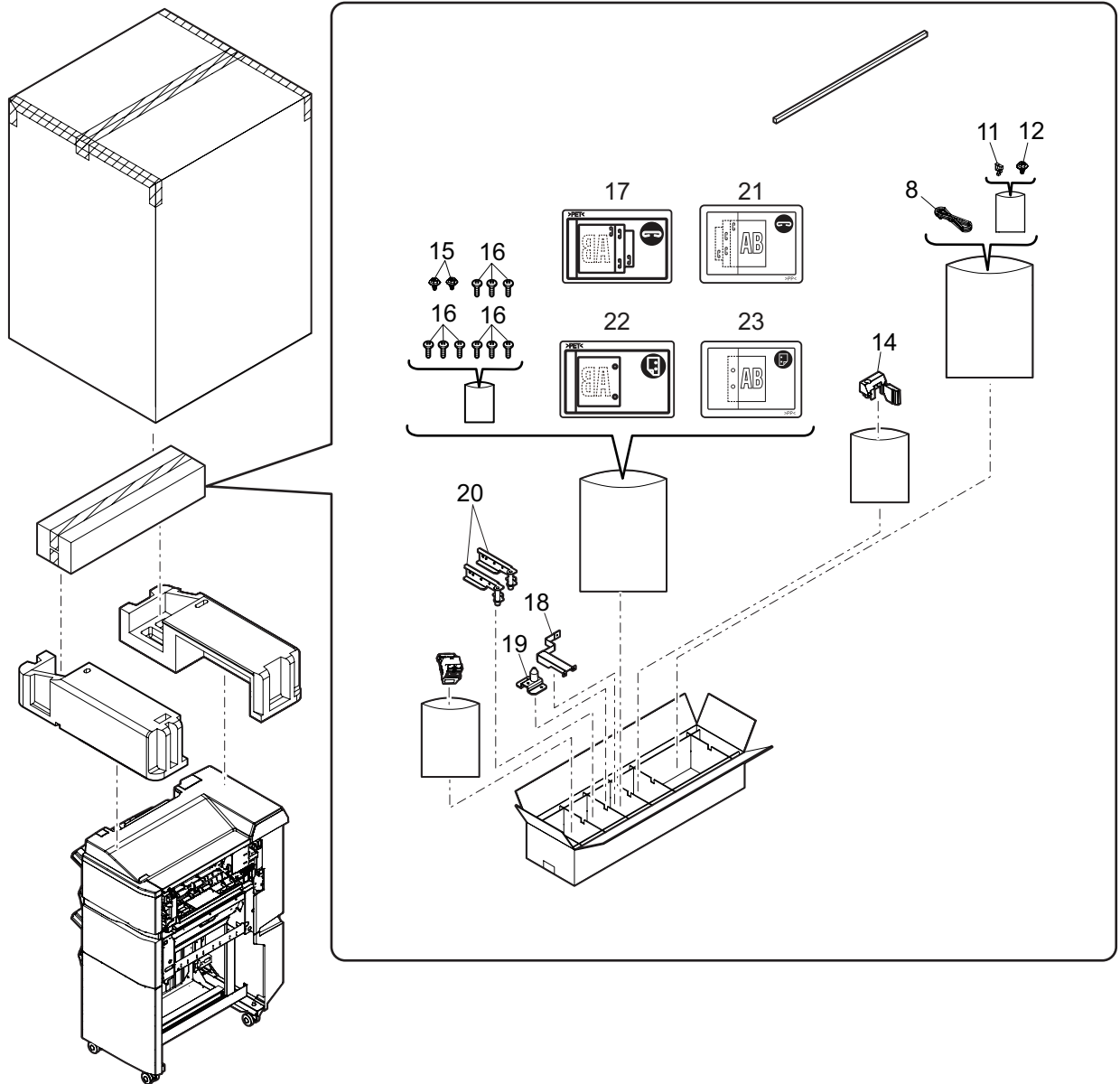


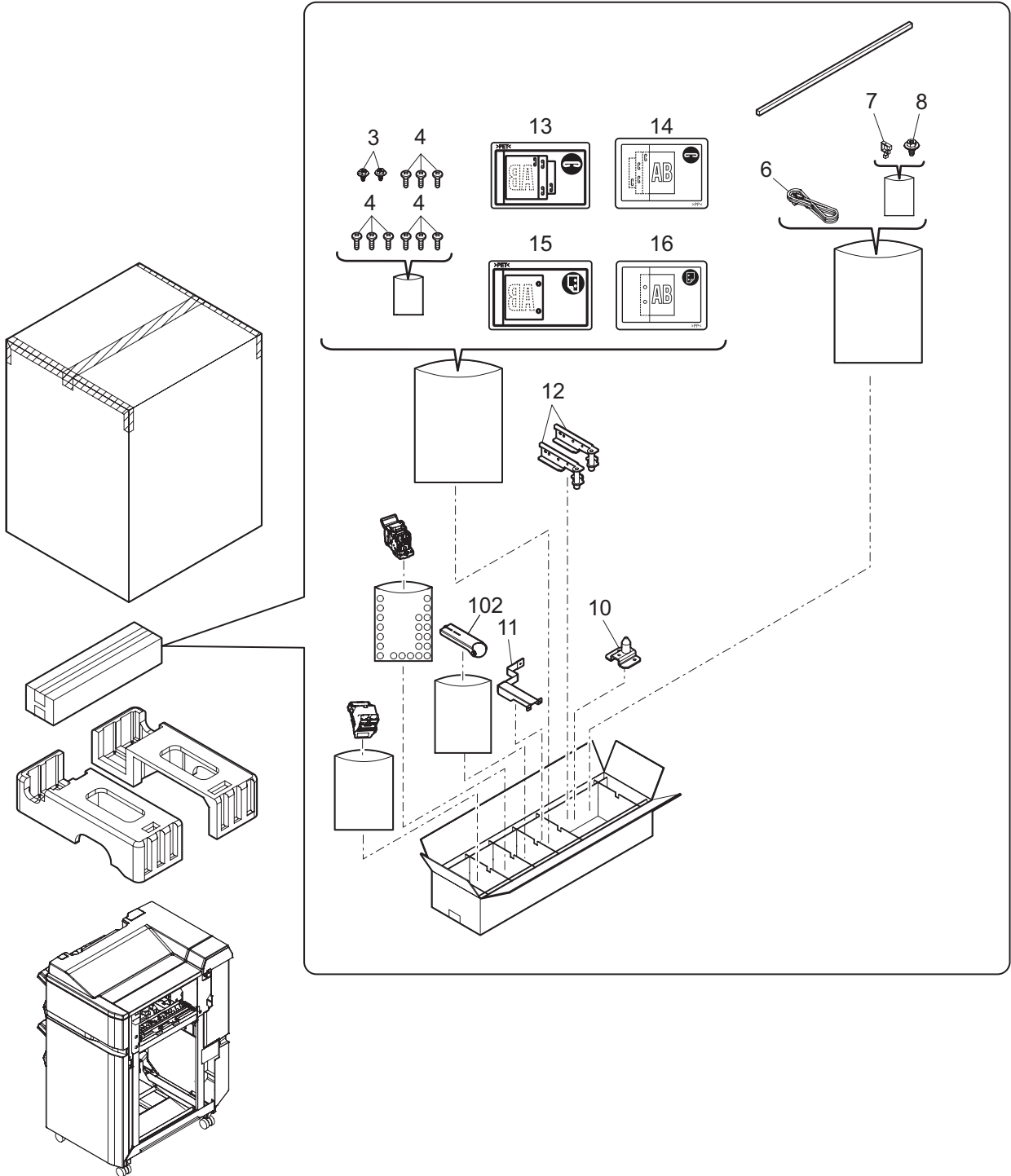


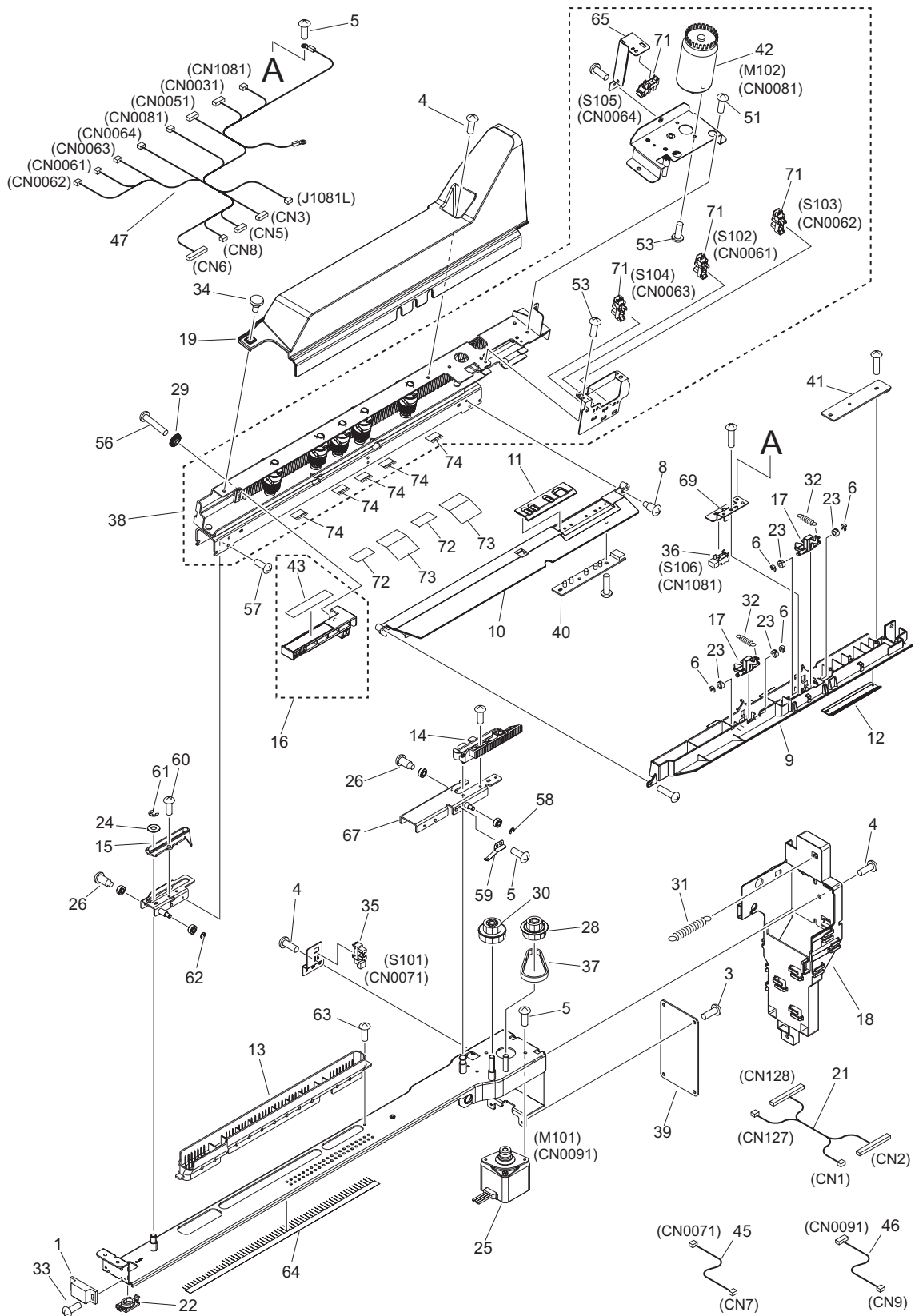




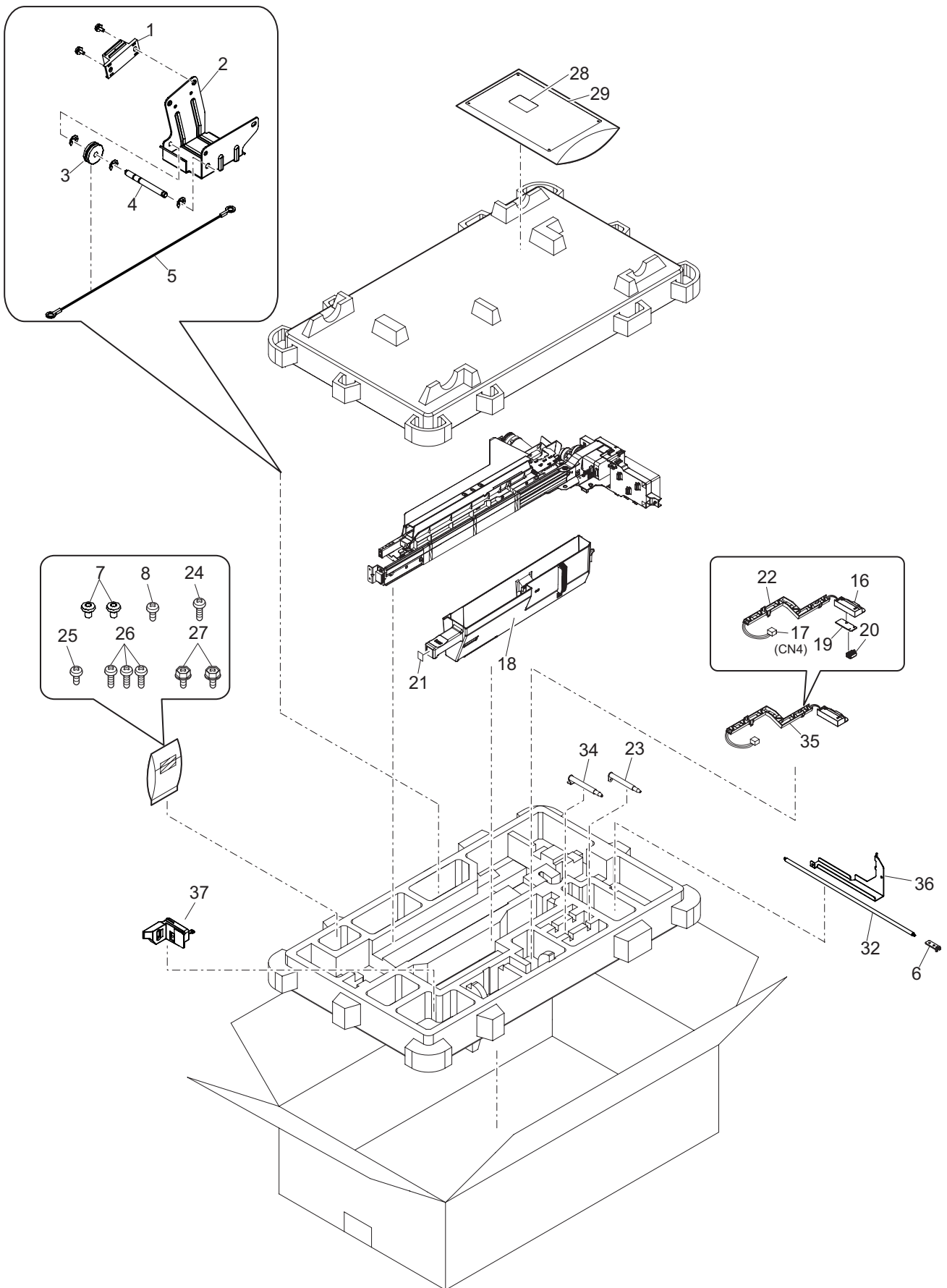








ITEM No.	PART No.	PART NAME	Q'TY / PAGE	Q'TY / PACK	REMARKS
1	6LS00228000	MAGNET			
3	6LS01621000	SCREW,W/WASHER,M3X6			
4	6LS00573000	SCREW,M4X7			
5	6LS00576000	SCREW,W/WASHER,M3X6			
6	6LS00593000	RETAINER			
8	6LS00655000	SCREW,STEPPED,M3			
9	6LS01123000	GUIDE,ENTRANCE,UPPER			
10	6LS00808000	GUIDE,ENTRANCE,LOWER			
11	6LS00809000	COVER,REGISTRATION SENSOR,LW.			
12	6LS00810000	COVER,REGISTRATION SENSOR,UP.			
13	6LS00811000	GUIDE,DUST			
14	6LS00812000	RACK,SLIDE			
15	6LS00813000	RAIL,SLIDE			
16	6LS00433000	LEVER,JAM CLEARING			
17	6LS00240000	LEVER,STOPPER			
18	6LS00814000	DUCT,PCB			
19	6LS00815000	COVER,PUNCH INNER			
21	6LS01232000	CABLE,INTERFACE			
22	6LS00819000	BUSHING			
23	6LS00821000	BUSHING			
24	6LS00942000	FLANGE,PULLEY			
25	6LS01103000	MOTOR,STEPPING			
26	6LS01292000	SCREW,STEPPED,M3			
28	6LS01346000	GEAR,20T/PULLEY,28T			
29	6LS01402000	COLLAR,LEVER			
30	6LS01485000	GEAR,23T/35T			
31	6LS01549000	SPRING,TENSION			
32	6LS01550000	SPRING,TENSION			
33	6LS01621000	SCREW,W/WASHER,M3X6			
34	6LS01622000	SCREW,M4X6			
35	6LS01642000	PHOTO-INTERRUPTER			
36	6LS01090000	PHOTO-INTERRUPTER			
37	6LS01755000	BELT,TIMING			
38	6LS01189000	PUNCHER ASSEMBLY			
39	6LS01228000	CONTROL PCB ASSEMBLY			
40	6LS01230000	SIDE REGIST LED PCB ASSEMBLY			
41	6LS01231000	SIDE REGIST PTR PCB ASSEMBLY			
42	6LS01104000	MOTOR,DC(FK2819700001 M102)			
43	6LS00260000	LABEL,JAM			
45	6LS01233000	CABLE,SENSOR			
46	6LS01234000	CABLE,MOTOR			
47	6LS01236000	CABLE,PUNCH BATCH			
51	6LS01672000	SCREW,BINDING HEAD,M4X6,ZC3			
53	6LS01669000	SCREW,BINDING HEAD,M3X5,ZC3			
56	6LS01688000	SCREW,TAPPING,BINDING HEAD,M4X25,ZC3			
57	6LS01663000	SCREW,PIN-R,M3X6			
58	6LS01724000	RING,E			
59	6LS00818000	PNC-GND-SPRING			
60	6LS01670000	SCREW,BINDING HEAD,M3X6,ZC3			
61	6LS01698000	E-RING			
62	6LS01724000	RING,E			
63	6LS01670000	SCREW,BINDING HEAD,M3X6,ZC3			
64	6LS00823000	BRUSH_PNC_DUST			
65	6LS00903000	SHAFT-FIN-SWING(FC9314500001)			
67	6LS00817000	BRACKET-PNC-SEN-RG			
69	6LS00999000	HOLDER-PNC-SEN			
71	6LS01640000	PHOTO-INTERRUPTER			
72	6LS06257000	SHEET,PUNCH STAY PAPER PASS,FRONT			
73	6LS06258000	SHEET,PUNCH STAY PAPER PASS,BASE			
74	6LS06259000	BRUSH,PUNCH			



TOSHIBA

TOSHIBA TEC CORPORATION

1-11-1, OSAKI, SHINAGAWA-KU, TOKYO, 141-8562, JAPAN