

TOSHIBA

SERVICE PARTS LIST

Inserter

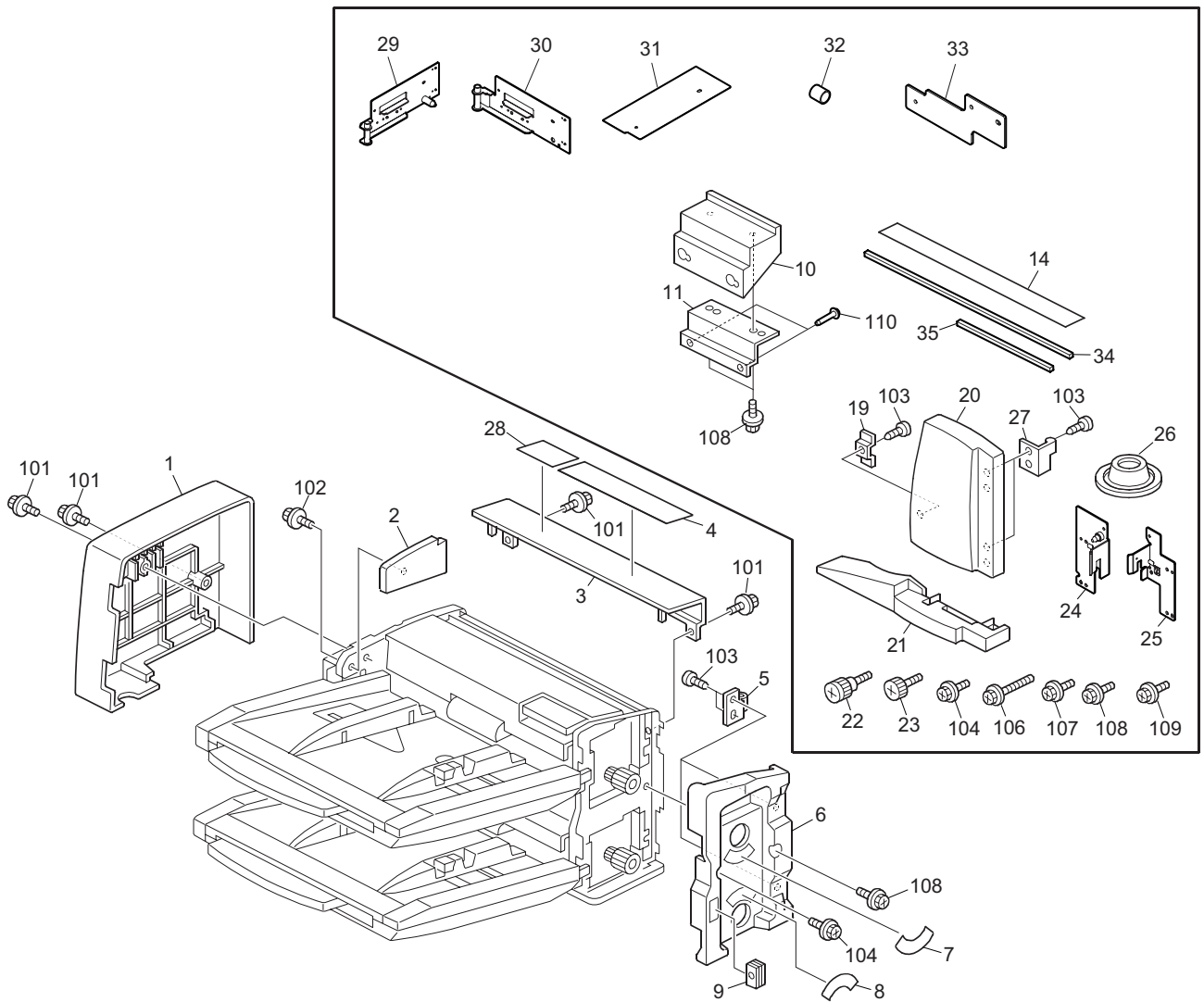
MX-CF11

© 2014 TOSHIBA TEC CORPORATION All rights reserved

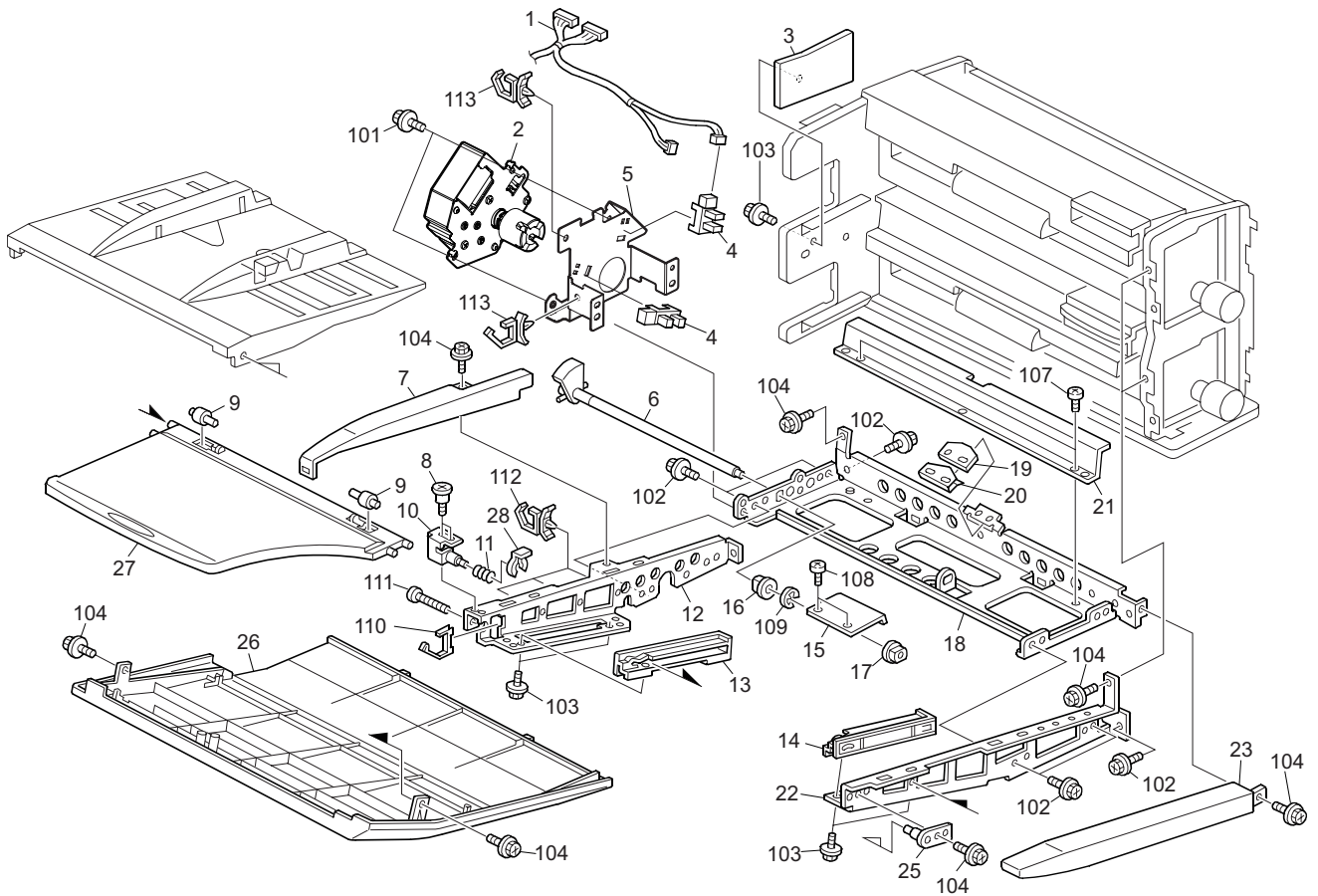
Under the copyright laws, this manual cannot be reproduced in any form without prior written permission of TOSHIBA TEC CORPORATION. No patent liability is assumed, however, with respect to the use of the information contained herein.

CONTENTS

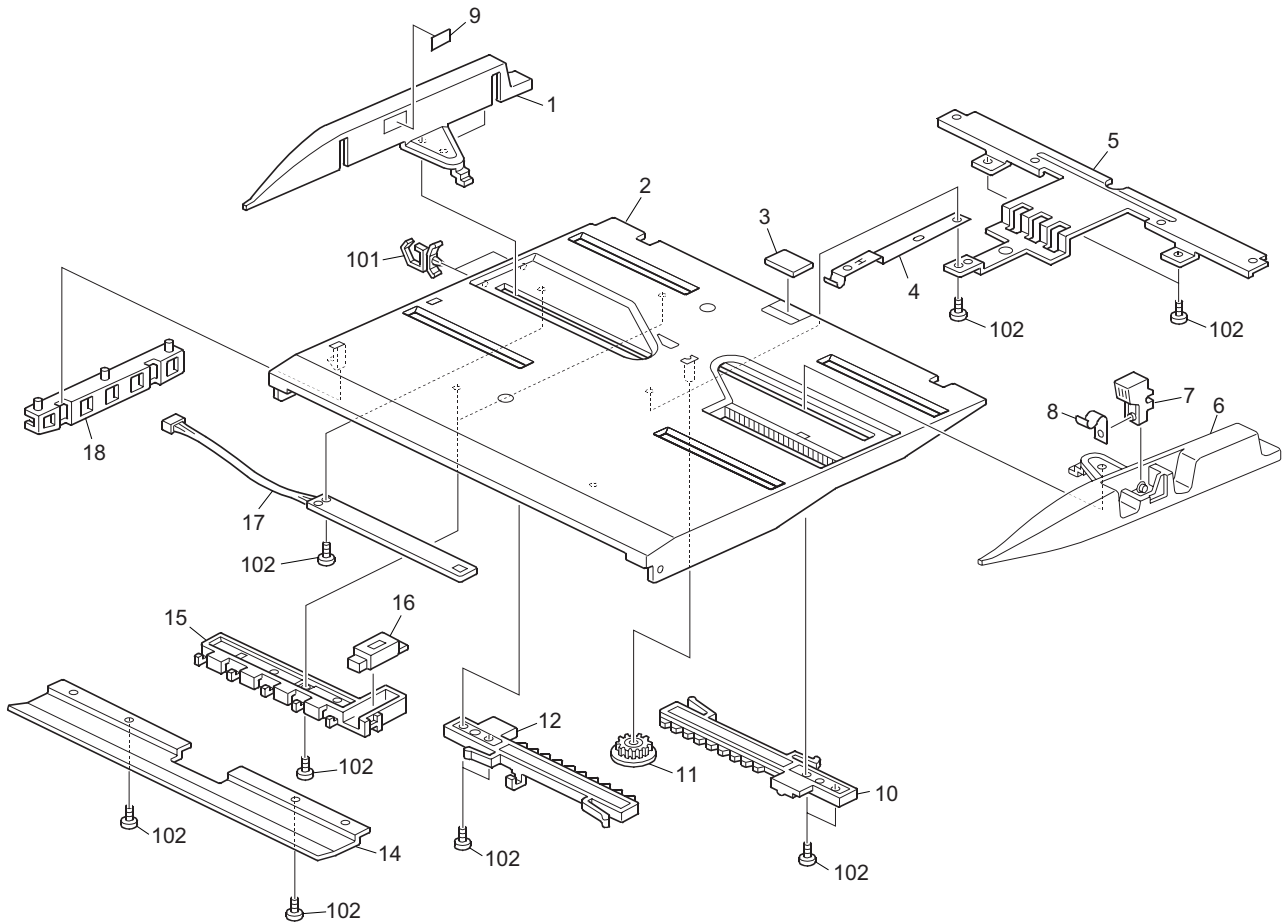
EXTERIOR(PAPER_FEED_UNIT).....	1
TRAY_SECTION_1.....	2
TRAY_SECTION_2.....	3
PAPER_FEEDING_SECTION_1.....	4
PAPER_FEEDING_SECTION_2.....	5
PAPER_FEEDING_SECTION_3.....	6
TRANSFER_SECTION_1.....	7
TRANSFER_SECTION_2.....	8
PAPER_FEED_UNIT.....	9
REAR_FRAME_SECTION_1.....	10
REAR_FRAME_SECTION_2.....	11
EXTERIOR(TRANSFER_UNIT).....	12
FRAME_SECTION.....	13



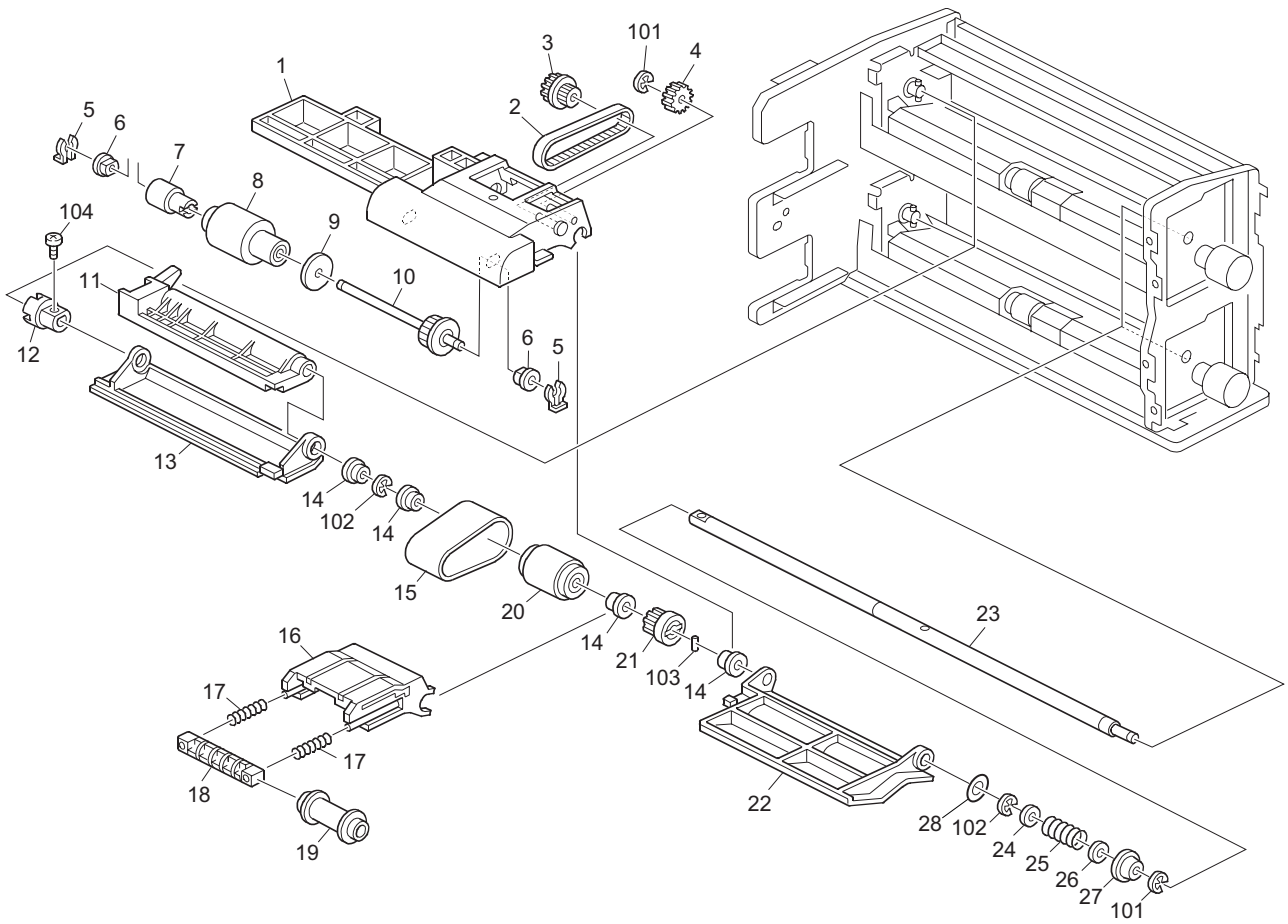
ITEM No.	PART No.	PART NAME	Q'TY / PAGE	Q'TY / PACK	REMARKS
1	6LS02817000	COVER:PAPER FEED:REAR			
2	6LS02818000	COVER:PAPER FEED:MIDDLE REAR:UPPER			
3	6LS02821000	COVER:PAPER FEED:UPPER RIGHT			
4	6LS02825000	DECAL:PAPER JAM:TRAY			
5	6LS02647000	HINGE:COVER:FRONT UPPER			
6	6LS02816000	INNER COVER:PAPER FEED			
7	6LS02823000	DECAL:KNOB:ROTATION DIRECTION:UPPER			
8	6LS02824000	DECAL:KNOB:ROTATION DIRECTION:LOWER			
9	6LS02552000	MAGNET CATCH:ASS'Y			
10	6LS02813000	COVER:UPPER REAR:AUXILIARY			
11	6LS02645000	BRACKET:COVER:UPPER REAR:AUXILIARY			
14	6LS02756000	SEAL:BLOCK LIGHT:STAY			
19	6LS02565000	MAGNET CATCH:DOOR:FRONT			
20	6LS02815000	COVER:PAPER FEED:FRONT UPPER			
21	6LS02814000	COVER:PAPER FEED:FRONT LOWER			
22	6LS02450000	TAPPING SCREW:4X12			
23	6LS02448000	TAPPING SCREW:4X8			
24	6LS02799000	BRACKET:COUPLING:REAR:PEEN			
25	6LS02800000	BRACKET:COUPLING:FRONT:ASS'Y			
26	6LS02566000	HOLDER:STAND			
27	6LS02646000	HINGE:COVER:FRONT LOWER			
28	6LS02820000	DECAL:PAPER FEED:ORIGINAL			
29	6LS02796000	BRACKET:COUPLING:REAR:PEEN			
30	6LS02794000	BRACKET:COUPLING:FRONT:PEEN			
31	6LS02797000	COVER:SAFETY			
32	6LS02464000	BUSHING:DIA6X8			
33	6LS02793000	BRACKET:GROUND PLATE			
34	6LS02857000	CUSHION:SPACER:LCT			
35	6LS02879000	CUSHION:SPACER:LCT			
101	6LS02448000	TAPPING SCREW:4X8			
102	6LS02442000	TAPPING SCREW:4X6			
103	6LS02453000	BINDING SELF TAPPING SCREW:3X6			
104	6LS02447000	TAPPING SCREW:4X6			
106	6LS02450000	TAPPING SCREW:4X12			
107	6LS02448000	TAPPING SCREW:4X8			
108	6LS02460000	TAPPING SCREW:4X8			
109	6LS02458000	TAPPING SCREW:3X8			
110	6LS02452000	TAPPING SCREW:4X20			



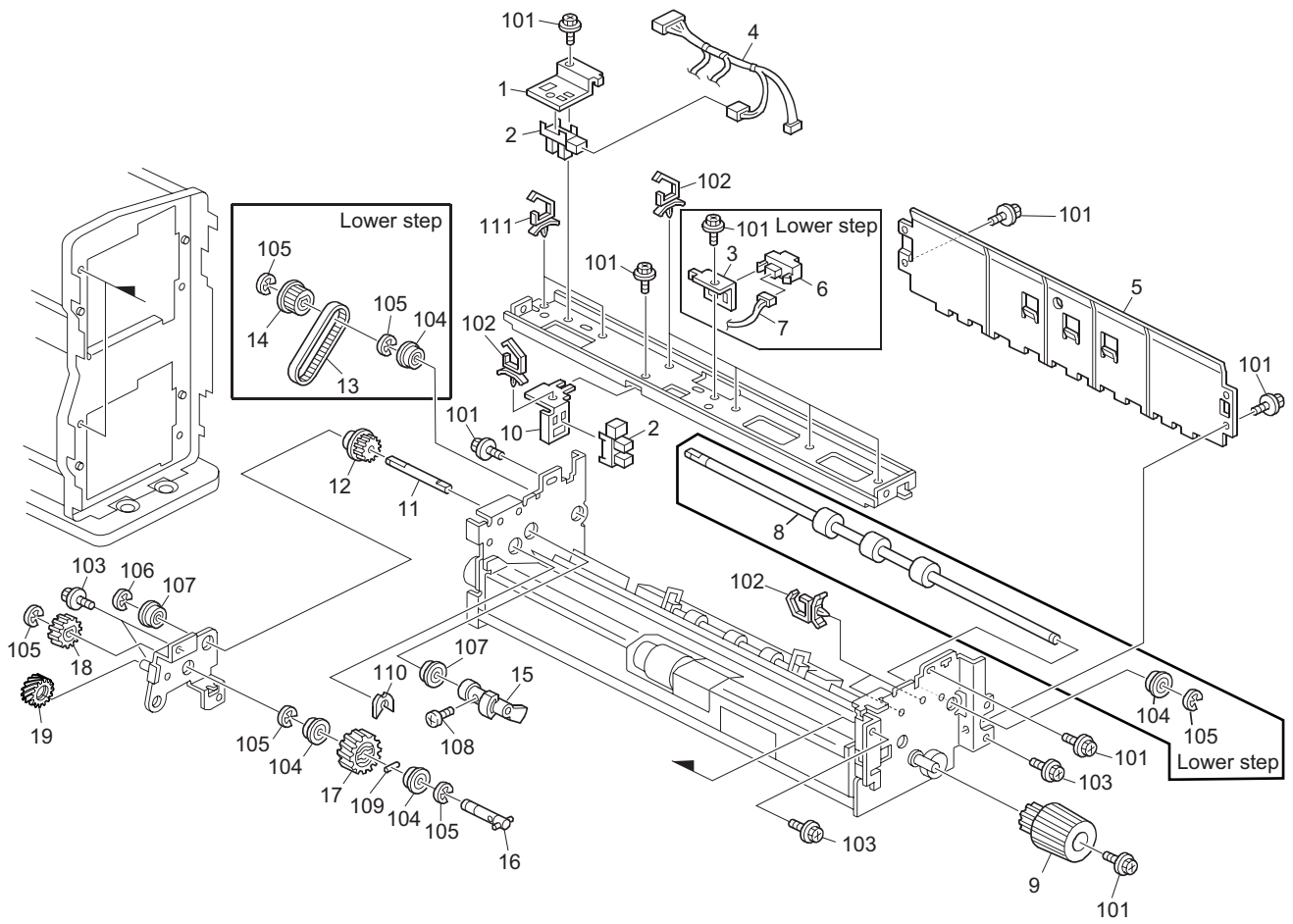
ITEM No.	PART No.	PART NAME	Q'TY / PAGE	Q'TY / PACK	REMARKS
1	6LS02870000	HARNES:TRAY:ASS'Y			
2	6LS02649000	DC MOTOR:TRAY RISE:ASS'Y			
3	6LS02819000	COVER:PAPER FEED:MIDDLE REAR:LOWER			
4	6LS02558000	PHOTOINTERRUPTOR-EE-SX4235A-P1			
5	6LS02650000	BRACKET:LIFT MOTOR			
6	6LS02665000	SHAFT:RISE:PRESS FIT			
7	6LS02811000	COVER:TRAY:REAR			
8	6LS02541000	SCREW:SCALE			
9	6LS02498000	ROLLER:PAPER TRAY			
10	6LS02617000	CONTROL PLATE:REGISTRATION:PEEN			
11	6LS02615000	COMPRESSION SPRING:REGISTRATION:CONTROL PLATE			
12	6LS02664000	BRACKET:TRAY:REAR			
13	6LS02668000	RAIL:PAPER TRAY:AUXILIARY:REAR			
14	6LS02669000	RAIL:PAPER TRAY:AUXILIARY:FRONT			
15	6LS02587000	LEVER:RISE:TRAY BOTTOM PLATE			
16	6LS02529000	BUSHING:DIA8XDIA12X7			
17	6LS02528000	BUSHING:MM6XMM10X6			
18	6LS02662000	BASE:TRAY:PEEN			
19	6LS02571000	SEPARATION PAD:AUXILIARY			
20	6LS02660000	HOLDER:SEPARATION PAD:AUXILIARY			
21	6LS02659000	GUIDE PLATE:PAPER TRAY			
22	6LS02663000	BRACKET:TRAY:FRONT			
23	6LS02809000	COVER:TRAY:FRONT			
25	6LS02661000	STUD:TRAY:LOWER:PEEN			
26	6LS02829000	TRAY:LOWER			
27	6LS02828000	PAPER TRAY:AUXILIARY			
28	6LS02494000	SNAP RING			
101	6LS02460000	TAPPING SCREW:4X8			
102	6LS02459000	TAPPING SCREW:4X6			
103	6LS02442000	TAPPING SCREW:4X6			
104	6LS02448000	TAPPING SCREW:4X8			
105	6LS02487000	WING EDGE SADDLE:WES-0507			
107	6LS02455000	BINDING SELF TAPPING SCREW:4X6			
108	6LS02456000	BINDING SELF TAPPING SCREW:4X8			
109	6LS02466000	RETAINING RINGS-E:4			
110	6LS02488000	EDGE SADDLE:LES-0510			
111	6LS02439000	SCREW:M4X14			
112	6LS02481000	CLAMP:LWSM-0306			
113	6LS02476000	CLAMP:LWS-0511Z			



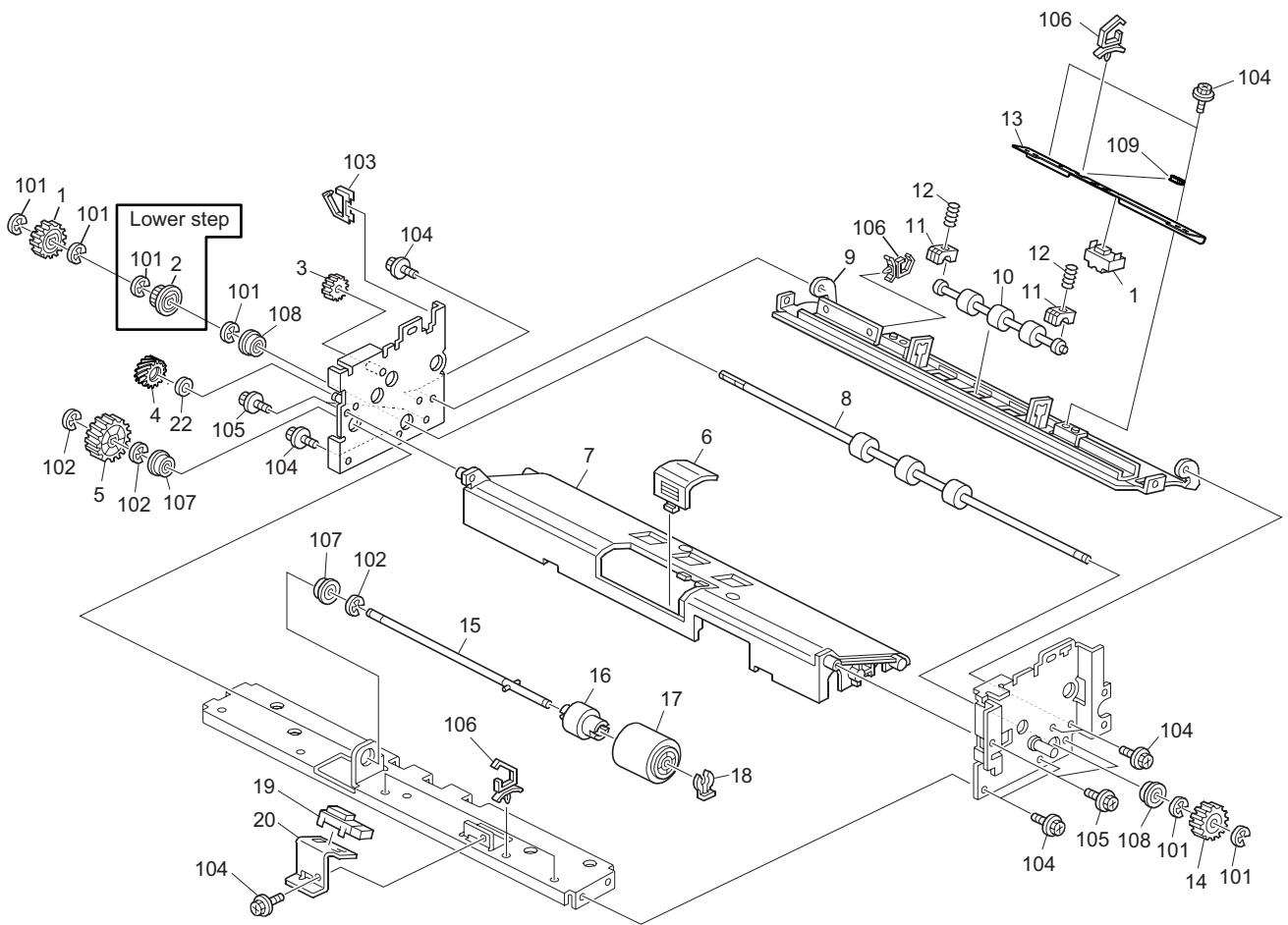
ITEM No.	PART No.	PART NAME	Q'TY / PAGE	Q'TY / PACK	REMARKS
1	6LS02830000	SIDE FENCE:REAR:PEEN			
2	6LS02831000	TRAY BOTTOM PLATE			
3	6LS02502000	FRICTION PAD			
4	6LS02667000	GROUND PLATE:TRAY BOTTOM PLATE			
5	6LS02620000	SUPPORTING PLATE:TRAY BOTTOM PLATE			
6	6LS02832000	SIDE FENCE:FRONT:PEEN			
7	6LS02833000	LEVER:STOPPER:FRONT			
8	6LS02670000	SPRING PLATE:STOPPER:FRONT			
9	6LS02774000	DECAL:DISPLAY:PAPER VOLUME			
10	6LS02786000	RACK:MANUAL FEED			
11	6LS02875000	GEAR:16T			
12	6LS02785000	RACK:MANUAL FEED:REAR:ASS'Y			
14	6LS02621000	SUPPORTING PLATE:TRAY BOTTOM PLATE:SHAFT			
15	6LS02666000	BRACKET:PHOTO REFLECTION SENSOR			
16	6LS02557000	PHOTO REFLECTION SENSOR:ORIGINAL TRAY			
17	6LS02757000	PRINTED CIRCUIT BOARD:PAPER SIZE SENSOR:ASS'Y			
18	6LS02619000	CLAMP:HARNES			
101	6LS02481000	CLAMP:LWSM-0306			
102	6LS02453000	BINDING SELF TAPPING SCREW:3X6			



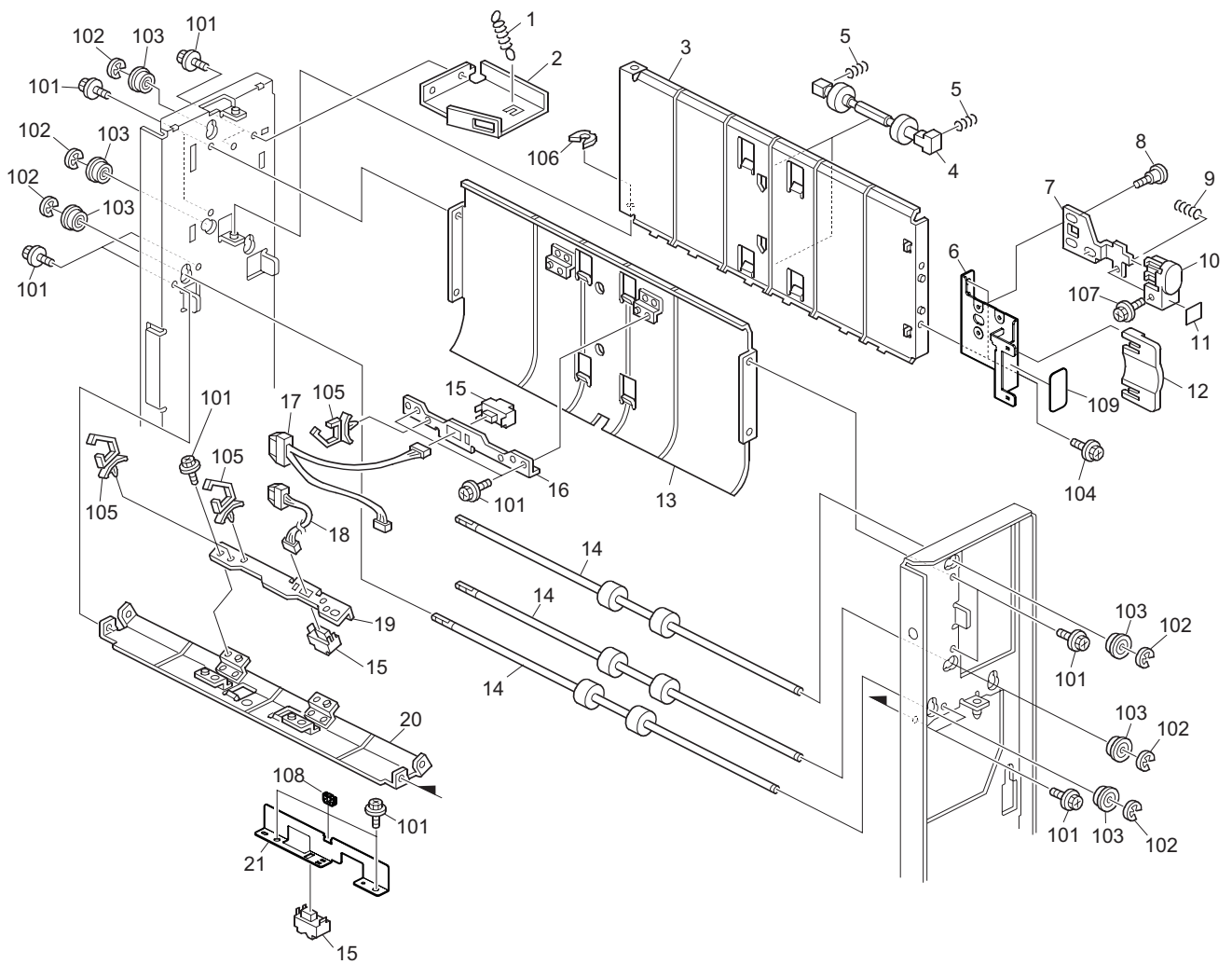
ITEM No.	PART No.	PART NAME	Q'TY / PAGE	Q'TY / PACK	REMARKS
1	6LS02836000	BRACKET:PICKUP ROLLER:PRESS FIT			
2	6LS02514000	TIMING BELT:B40S2M148			
3	6LS02511000	TIMING PULLEY:T19/Z23:S2M/M0.6			
4	6LS02513000	GEAR:Z18:M0.6:IDLER			
5	6LS02494000	SNAP RING			
6	6LS02492000	BUSHING:6MM			
7	6LS02578000	PICKUP ROLLER:COUPLING			
8	6LS02577000	PICKUP ROLLER			
9	6LS02534000	SPACER:6X20X1			
10	6LS02512000	TIMING PULLEY:T27:S2M			
11	6LS02678000	LEVER:PICKUP ROLLER:RISE			
12	6LS02751000	JOINT:PAPER FEED:DRIVE			
13	6LS02837000	GUIDE PLATE:ENTRANCE:INNER BACK			
14	6LS02504000	BUSHING:SEPARATION			
15	6LS02509000	PAPER FEED BELT			
16	6LS02506000	BRACKET:PAPER FEED BELT			
17	6LS02515000	SPRING:BELT:PAPER FEED:8N			
18	6LS02510000	SHAFT:ROLLER:TRANSPORT BELT:PAPER FEED:DRIVEN			
19	6LS02508000	ROLLER:PAPER FEED BELT:DRIVEN			
20	6LS02507000	ROLLER:PAPER FEED BELT:DRIVE			
21	6LS02575000	GEAR:PICKUP:DRIVE			
22	6LS02838000	GUIDE PLATE:ENTRANCE:FRONT			
23	6LS02750000	SHAFT:BELT:PAPER FEED:DRIVE			
24	6LS02533000	SPACER:8.2			
25	6LS02524000	COMPRESSION SPRING:PAPER FEED:JOINT			
26	6LS02501000	SPACER:M6.5X1			
27	6LS02572000	BUSHING:SEPARATION			
28	6LS02535000	SPACER			
101	6LS02466000	RETAINING RINGS-E:4			
102	6LS02467000	RETAINING RINGS-E:6			
103	6LS02462000	PARALLEL PIN:2X12			
104	6LS02453000	BINDING SELF TAPPING SCREW:3X6			



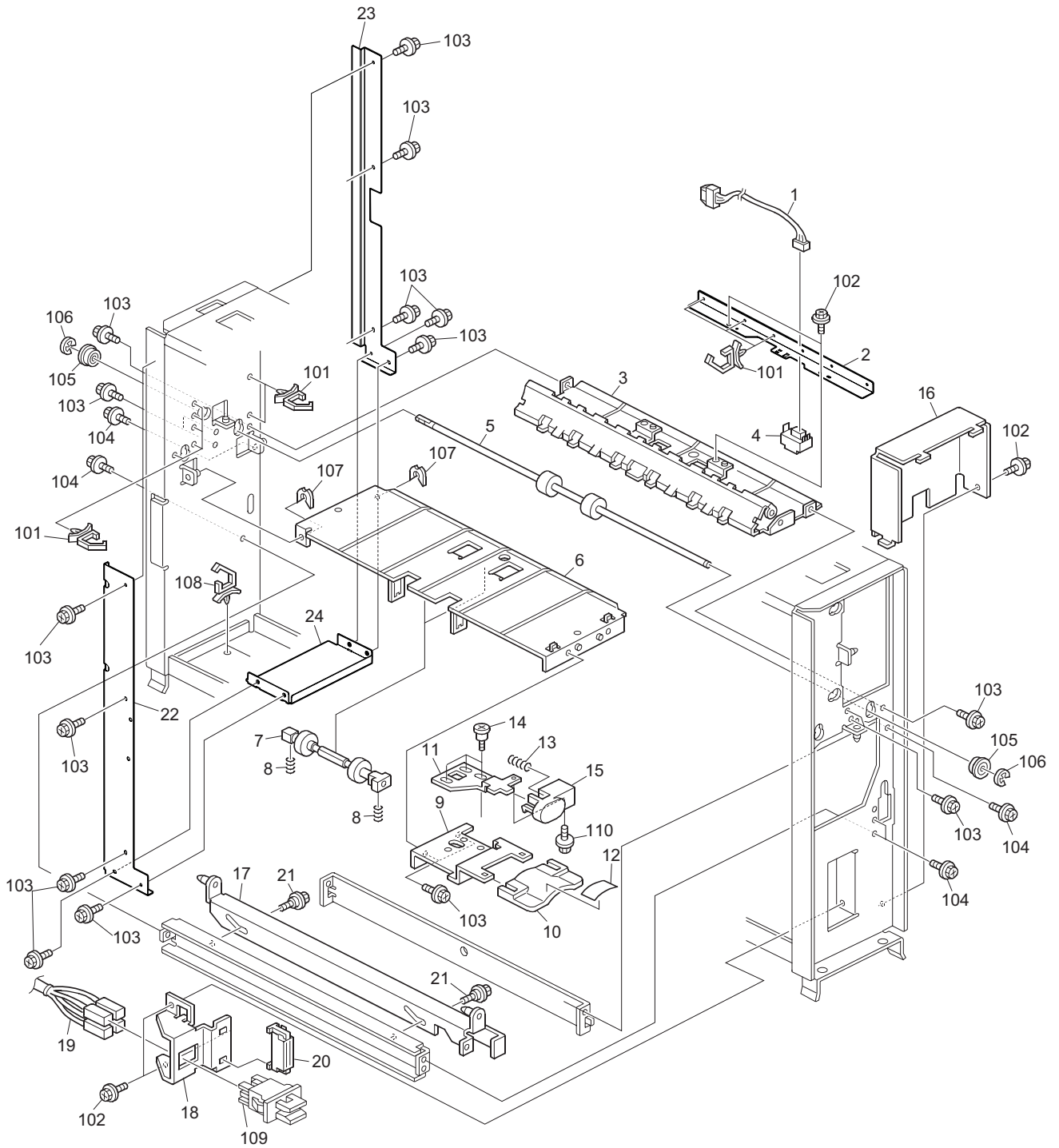
ITEM No.	PART No.	PART NAME	Q'TY / PAGE	Q'TY / PACK	REMARKS
1	6LS02671000	BRACKET:RISE:HOME POSITION SENSOR			
2	6LS02558000	PHOTOINTERRUPTOR-EE-SX4235A-P1			
3	6LS02862000	BRACKET:SENSOR:MIDDLE:2			
4	6LS02853000	HARNES:PAPER FEED UNIT:ASS'Y			
5	6LS02673000	GUIDE PLATE:FRONT LEFT			
6	6LS02555000	PHOTO REFLECTION SENSOR:GP2A231LRSAF			
7	6LS02759000	HARNES:TRANSPORT SENSOR:NO.1:ASS'Y			
8	6LS02692000	TRANSPORT ROLLER:PAPER FEED:VERTICAL TRANSPORT			
9	6LS02733000	KNOB:MISFEED REMOVAL			
10	6LS02655000	BRACKET:POSITIONING SENSOR:PAPER FEED			
11	6LS02685000	SHAFT:CAM:PICKUP ROLLER			
12	6LS02686000	GEAR:Z14			
13	6LS02707000	TIMING BELT:B40S2M150			
14	6LS02570000	TIMING PULLEY:CONNECTING:DRIVE:25T			
15	6LS02874000	CAM:PICKUP ROLLER			
16	6LS02684000	SHAFT:PAPER FEED:DRIVE:PRESS FIT			
17	6LS02576000	GEAR:Z23:SEPARATION			
18	6LS02690000	GEAR:Z23			
19	6LS02689000	GEAR			
101	6LS02447000	TAPPING SCREW:4X6			
102	6LS02481000	CLAMP:LWSM-0306			
103	6LS02459000	TAPPING SCREW:4X6			
104	6LS02469000	BALL BEARING:DIA8XDIA12X3.5			
105	6LS02467000	RETAINING RINGS-E:6			
106	6LS02466000	RETAINING RINGS-E:4			
107	6LS02468000	BALL BEARING:DIA6XDIA12X4			
108	6LS02454000	BINDING SELF TAPPING SCREW:3X6			
109	6LS02462000	PARALLEL PIN:2X12			
110	6LS02472000	E RING:SILENCER:φ6			
111	6LS02483000	CLAMP:LWSM-0511			



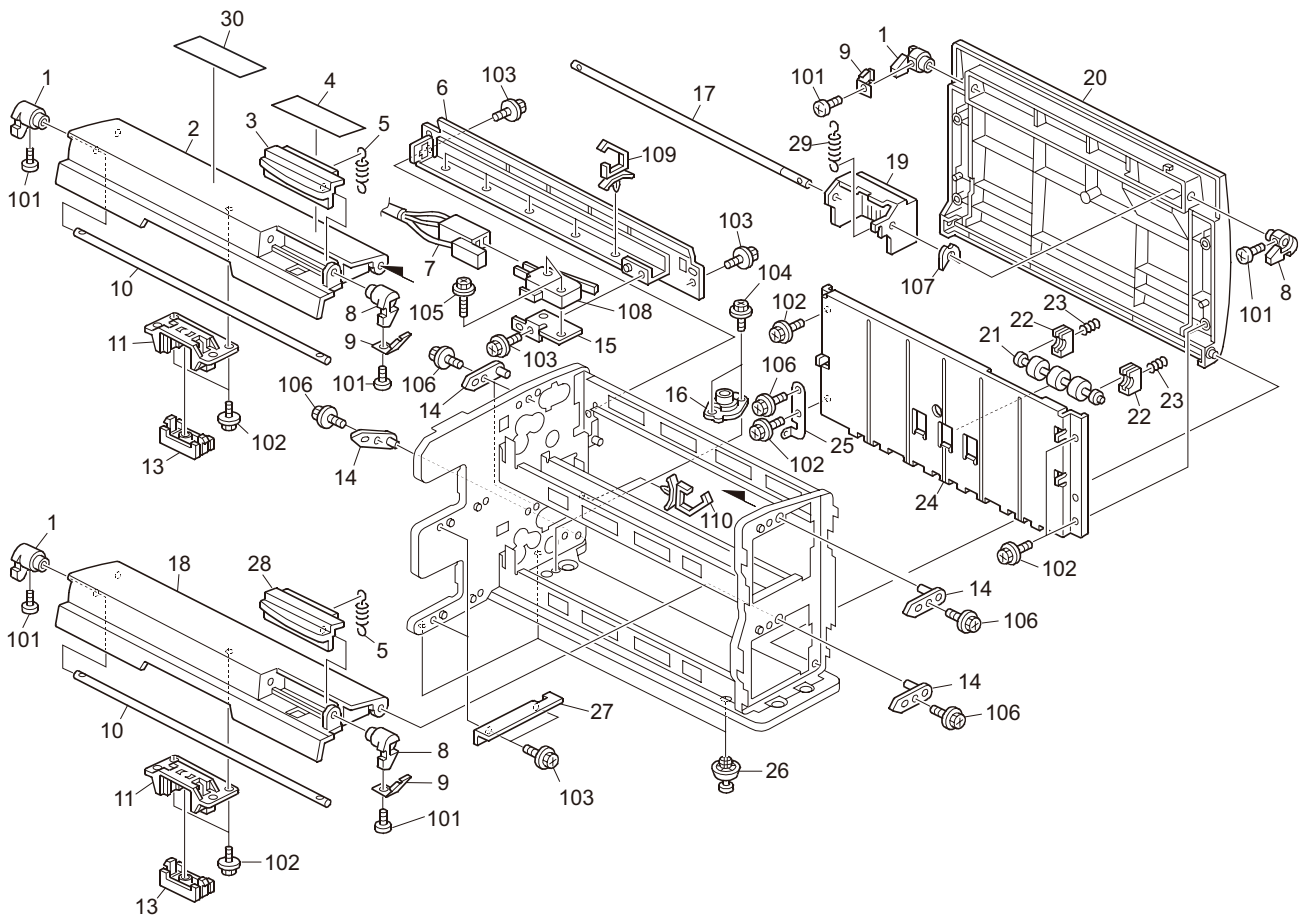
ITEM No.	PART No.	PART NAME	Q'TY / PAGE	Q'TY / PACK	REMARKS
1	6LS02690000	GEAR:Z23			
2	6LS02570000	TIMING PULLEY:CONNECTING:DRIVE:25T			
3	6LS02687000	GEAR:IDLER:Z14			
4	6LS02689000	GEAR			
5	6LS02691000	GEAR:Z31			
6	6LS02675000	COVER:REVERSE ROLLER			
7	6LS02677000	GUIDE PLATE:PAPER FEED UNIT:LOWER			
8	6LS02693000	TRANSPORT ROLLER:PULL OUT			
9	6LS02672000	GUIDE PLATE:PAPER FEED:UPPER:PEEN			
10	6LS02635000	TRANSPORT ROLLER:DRIVEN:PAPER FEED UNIT			
11	6LS02531000	HOLDER:PRESSURE:BALL BEARING			
12	6LS02608000	COMPRESSION SPRING:TRANSPORT:PAPER FEED UNIT			
13	6LS02863000	BRACKET:PULL OUT:SENSOR:ASS'Y			
14	6LS02545000	GEAR:TRANSPORT ROLLER:DRIVE:Z18			
15	6LS02676000	SHAFT:REVERSE ROLLER:PRESS FIT			
16	6LS02500000	TORQUE LIMITER:SEPARATOR			
17	6LS02516000	REVERSE ROLLER:PAPER FEED			
18	6LS02494000	SNAP RING			
19	6LS02555000	PHOTO REFLECTION SENSOR:GP2A231LRSAF			
20	6LS02674000	BRACKET:SENSOR:PAPER FEED			
21	6LS02555000	PHOTO REFLECTION SENSOR:GP2A231LRSAF			
22	6LS02496000	SPACER:8X10X1.6MM			
101	6LS02467000	RETAINING RINGS-E:6			
102	6LS02466000	RETAINING RINGS-E:4			
103	6LS02487000	WING EDGE SADDLE:WES-0507			
104	6LS02447000	TAPPING SCREW:4X6			
105	6LS02443000	TAPPING SCREW:4X8			
106	6LS02481000	CLAMP:LWSM-0306			
107	6LS02468000	BALL BEARING:DIA6XDIA12X4			
108	6LS02469000	BALL BEARING:DIA8XDIA12X3.5			
109	6LS02486000	CLAMP:LES-0503			



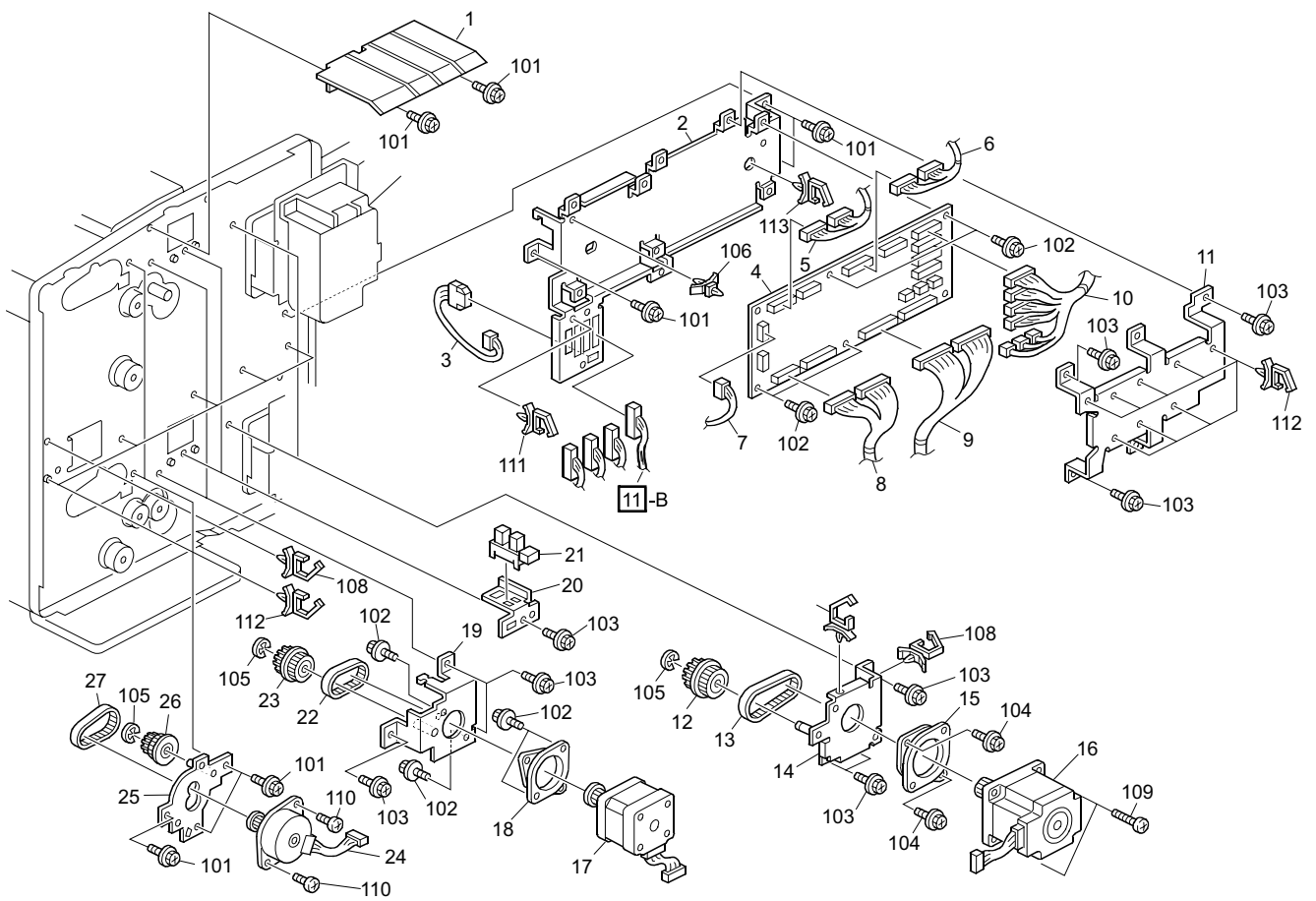
ITEM No.	PART No.	PART NAME	Q'TY / PAGE	Q'TY / PACK	REMARKS
1	6LS02520000	TENSION SPRING:GUIDE:RELEASE			
2	6LS02714000	HOLDER:MAGNET CATCH:OPEN AND CLOSE			
3	6LS02712000	GUIDE PLATE:VERTICAL TRANSPORT:RIGHT LOWER:PEEN			
4	6LS02548000	ROLLER:DRIVEN:L=99			
5	6LS02753000	COMPRESSION SPRING:DRIVEN:PROOF TRAY			
6	6LS02847000	LEVER:RELEASE:GUIDE PLATE			
7	6LS02708000	SLIDER:RELEASE:BUTTON			
8	6LS02538000	STEPPED SCREW:M4			
9	6LS02523000	COMPRESSION SPRING:OIL SUPPLY ROLLER:PRESS ROLLER			
10	6LS02754000	BUTTON:RELEASE:GUIDE PLATE			
11	6LS02748000	DECAL:GRIP:VERTICAL TRANSPORT			
12	6LS02755000	HANDLE:LEVER:OPEN AND CLOSE			
13	6LS02713000	GUIDE PLATE:VERTICAL TRANSPORT:LEFT LOWER:PEEN			
14	6LS02721000	TRANSPORT ROLLER:HORIZONTAL TRANSPORT:DRIVE			
15	6LS02555000	PHOTO REFLECTION SENSOR:GP2A231LRSAF			
16	6LS02710000	BRACKET:SENSOR:PAPER FEED			
17	6LS02852000	HARNESS:SENSOR:ASS'Y			
18	6LS02726000	HARNESS:PAPER FEED SENSOR:ASS'Y			
19	6LS02710000	BRACKET:SENSOR:PAPER FEED			
20	6LS02715000	GUIDE PLATE:HORIZONTAL TRANSPORT:LOWER LEFT:PEEN			
21	6LS02716000	BRACKET:SENSOR:PAPER FEED:EXIT			
101	6LS02447000	TAPPING SCREW:4X6			
102	6LS02467000	RETAINING RINGS-E:6			
103	6LS02469000	BALL BEARING:DIA8XDIA12X3.5			
104	6LS02460000	TAPPING SCREW:4X8			
105	6LS02481000	CLAMP:LWSM-0306			
106	6LS02473000	RETAINING RINGS-E:SILENCER:DIA4			
107	6LS02454000	BINDING SELF TAPPING SCREW:3X6			
108	6LS02486000	CLAMP:LES-0503			
109	6LS02747000	DECAL:GRIP:VERTICAL TRANSPORT:AUXILIARY			



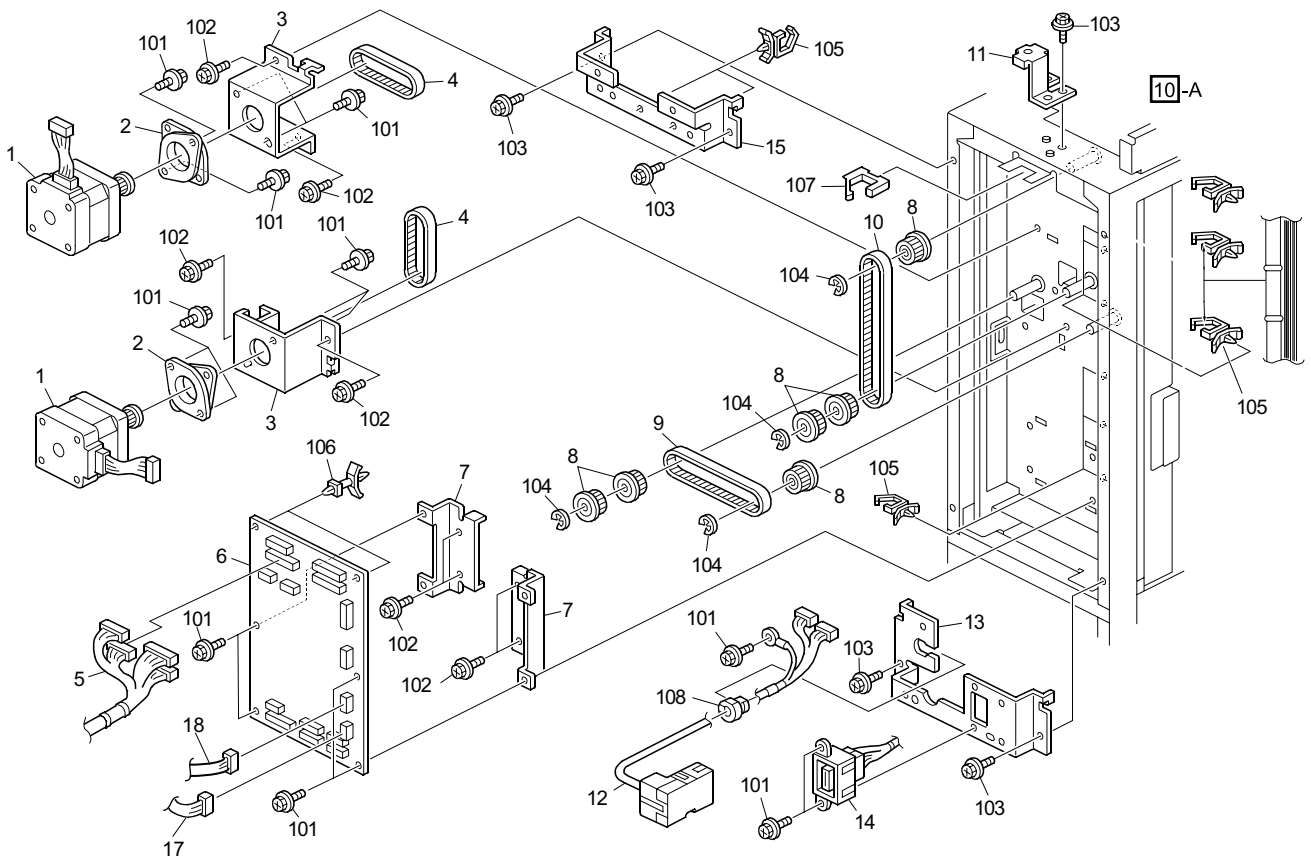
ITEM No.	PART No.	PART NAME	Q'TY / PAGE	Q'TY / PACK	REMARKS
1	6LS02727000	HARNESSENTRANCE SENSOR:ASS'Y			
2	6LS02865000	BRACKET:SENSOR:PAPER FEED			
3	6LS02864000	GUIDE PLATE:HORIZONTAL TRANSPORT:ENTRANCE:PEEN			
4	6LS02555000	PHOTO REFLECTION SENSOR:GP2A231LRSF			
5	6LS02721000	TRANSPORT ROLLER:HORIZONTAL TRANSPORT:DRIVE			
6	6LS02723000	GUIDE PLATE:HORIZONTAL:OPEN AND CLOSE:PEEN			
7	6LS02548000	ROLLER:DRIVEN:L=99			
8	6LS02753000	COMPRESSION SPRING:DRIVEN:PROOF TRAY			
9	6LS02847000	LEVER:RELEASE:GUIDE PLATE			
10	6LS02755000	HANDLE:LEVER:OPEN AND CLOSE			
11	6LS02708000	SLIDER:RELEASE:BUTTON			
12	6LS02749000	DECAL:GRIP:HORIZONTAL TRANSPORT			
13	6LS02523000	COMPRESSION SPRING:OIL SUPPLY ROLLER:PRESS ROLLER			
14	6LS02538000	STEPPED SCREW:M4			
15	6LS02754000	BUTTON:RELEASE:GUIDE PLATE			
16	6LS02709000	COVER:SAFETY SWITCH			
17	6LS02643000	LEVER:COUPLING:ASS'Y			
18	6LS02725000	BRACKET:SAFETY SWITCH			
19	6LS02868000	HARNESSENTRANCE SENSOR:ASS'Y			
20	6LS02552000	MAGNET CATCH:ASS'Y			
21	6LS02539000	SCREW:CONTACT POINT			
22	6LS02801000	COVER:LEFT INNER REAR:HARNESSENTRANCE SENSOR:ASS'Y			
23	6LS02860000	COVER:RIGHT REAR:HARNESSENTRANCE SENSOR:ASS'Y			
24	6LS02861000	COVER:REAR MIDDLE:HARNESSENTRANCE SENSOR:ASS'Y			
101	6LS02481000	CLAMP:LWSM-0306			
102	6LS02447000	TAPPING SCREW:4X6			
103	6LS02460000	TAPPING SCREW:4X8			
104	6LS02448000	TAPPING SCREW:4X8			
105	6LS02469000	BALL BEARING:DIA8XDIA12X3.5			
106	6LS02467000	RETAINING RINGS-E:6			
107	6LS02473000	RETAINING RINGS-E:SILENCER:DIA4			
108	6LS02476000	CLAMP:LWS-0511Z			
109	6LS02490000	SWITCH			
110	6LS02454000	BINDING SELF TAPPING SCREW:3X6			



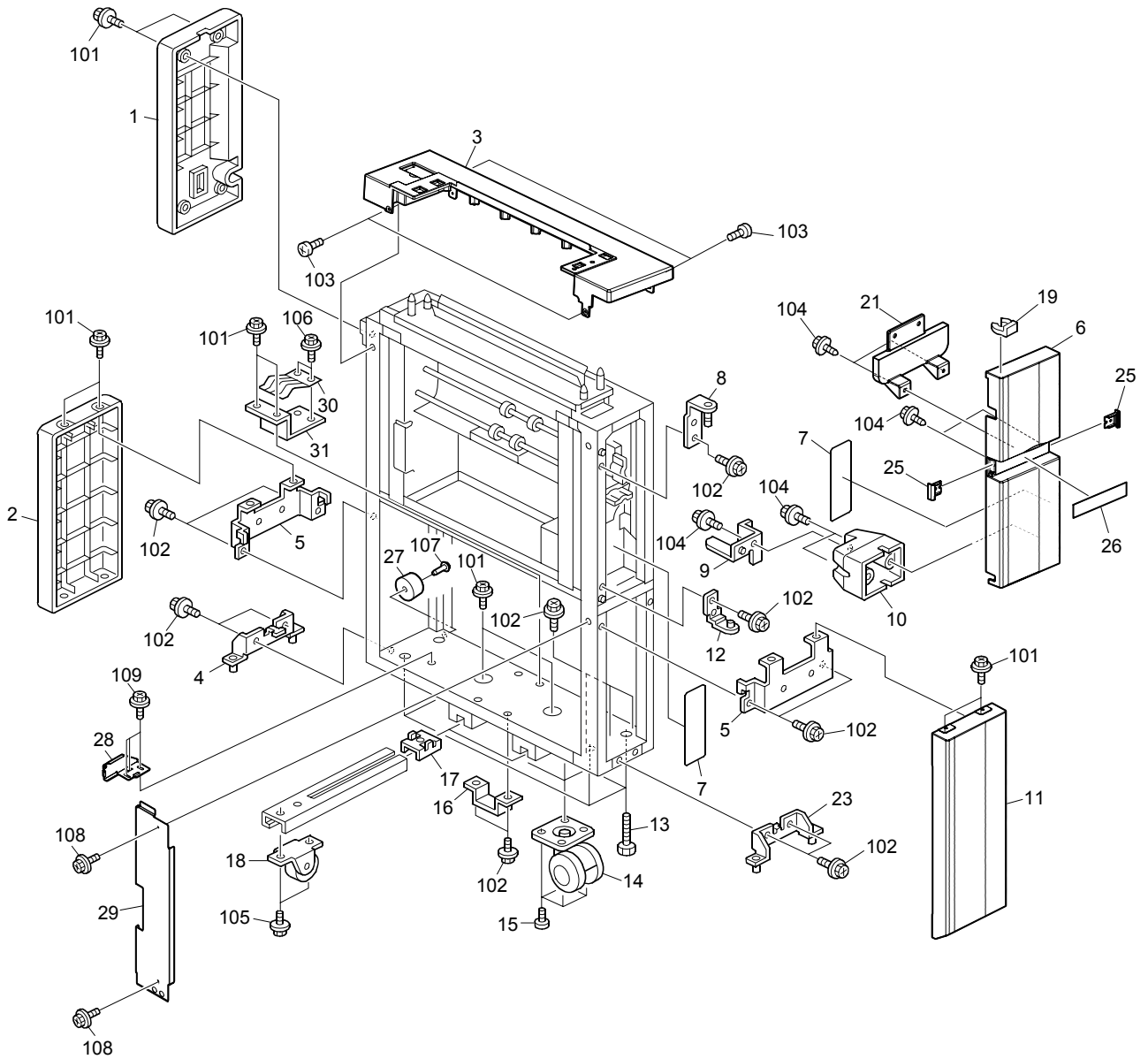
ITEM No.	PART No.	PART NAME	Q'TY / PAGE	Q'TY / PACK	REMARKS
1	6LS02683000	HOOK:REAR:COVER:UPPER			
2	6LS02839000	COVER:PAPER FEED UNIT:UPPER			
3	6LS02840000	LEVER:COVER:UPPER PAPER FEED			
4	6LS02826000	DECAL:OPERATE:PAPER SET DIRECTION			
5	6LS02522000	TENSION SPRING:PRESSURE:VERTICAL TRANSPORT			
6	6LS02653000	GUIDE:PAPER FEED UNIT:MIDDLE:PEEN			
7	6LS02872000	HARNESH:VERTICAL TRANSPORT:ON OFF DETECT:SWITCH			
8	6LS02682000	HOOK:FRONT:COVER:UPPER			
9	6LS02880000	GROUND PLATE:VERTICAL TRANSPORT			
10	6LS02681000	SHAFT:COVER:UPPER			
11	6LS02680000	BRACKET:PLATE:PAPER FEED ROLLER			
13	6LS02679000	PLATE:PAPER FEED ROLLER			
14	6LS02703000	BRACKET:STUD:VERTICAL TRANSPORT:PEEN			
15	6LS02654000	BRACKET:SWITCH			
16	6LS02876000	HOLDER:GUIDE PIN:PAPER FEED TABLE			
17	6LS02702000	SHAFT:LEVER:VERTICAL TRANSPORT			
18	6LS02834000	COVER:PAPER FEED UNIT:LOWER			
19	6LS02841000	LEVER:VERTICAL TRANSPORT			
20	6LS02842000	COVER:VERTICAL TRANSPORT			
21	6LS02635000	TRANSPORT ROLLER:DRIVEN:PAPER FEED UNIT			
22	6LS02531000	HOLDER:PRESSURE:BALL BEARING			
23	6LS02608000	COMPRESSION SPRING:TRANSPORT:PAPER FEED UNIT			
24	6LS02704000	GUIDE PLATE:PAPER FEED:VERTICAL TRANSPORT:PEEN			
25	6LS02705000	GROUND PLATE:VERTICAL TRANSPORT			
26	6LS02553000	RUBBER FOOT:H5			
27	6LS02651000	GUIDE:TRAY UNIT			
28	6LS02835000	LEVER:COVER:LOWER PAPER FEED			
29	6LS02752000	SPRING:COVER:GRIP			
30	6LS02822000	DECAL:OPERATE:PAPER FEED:COVER			
101	6LS02441000	TAPPING SCREW:4X6			
102	6LS02443000	TAPPING SCREW:4X8			
103	6LS02447000	TAPPING SCREW:4X6			
104	6LS02448000	TAPPING SCREW:4X8			
105	6LS02446000	TAPPING SCREW:3X14			
106	6LS02459000	TAPPING SCREW:4X6			
107	6LS02473000	RETAINING RINGS-E:SILENCER:DIA4			
108	6LS02491000	SWITCH:V-16506-1C25			
109	6LS02476000	CLAMP:LWS-0511Z			
110	6LS02481000	CLAMP:LWSM-0306			



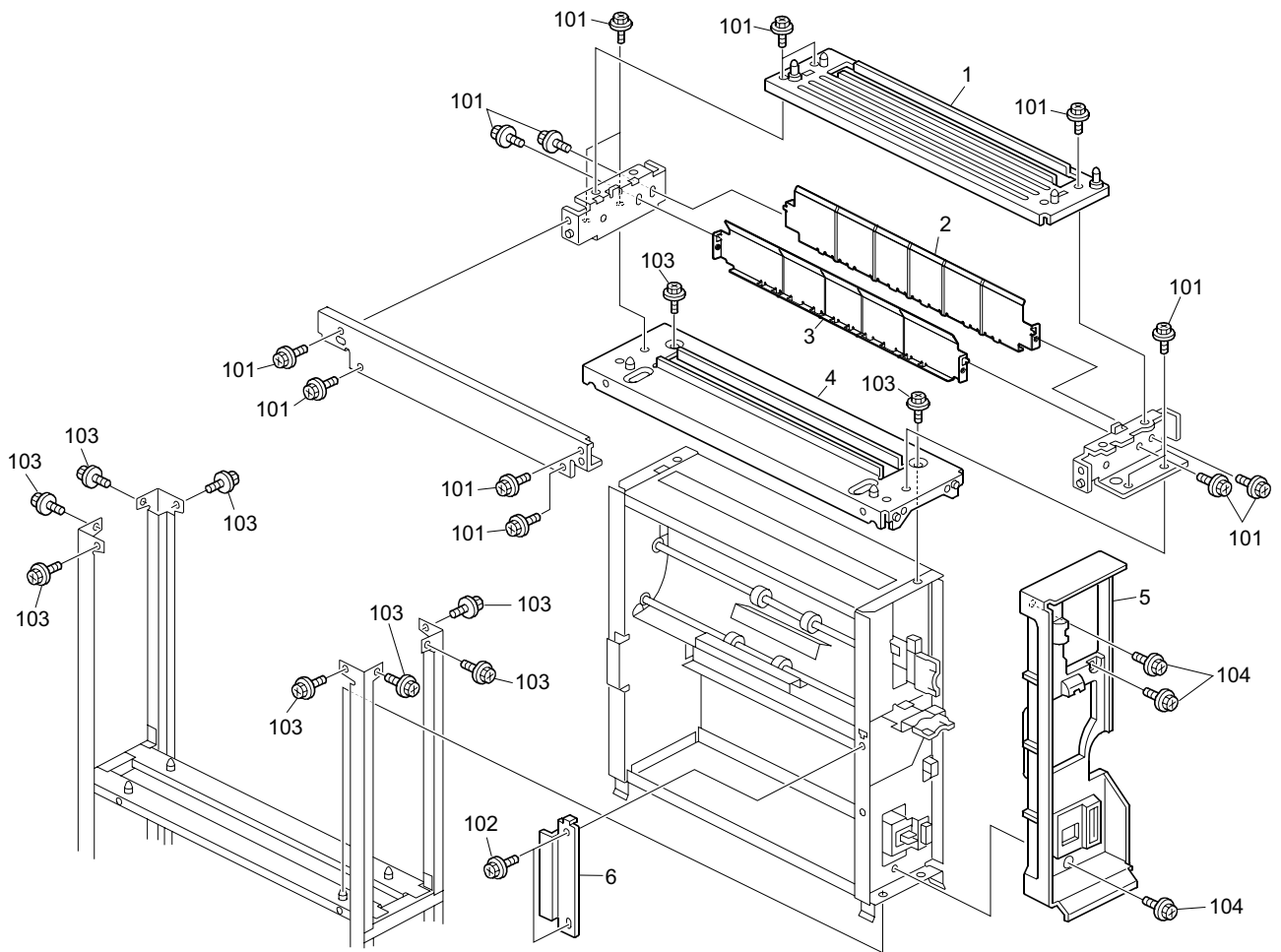
ITEM No.	PART No.	PART NAME	Q'TY / PAGE	Q'TY / PACK	REMARKS
1	6LS02652000	GRIP:FRAME:PAPER FEED:REAR			
2	6LS02657000	BRACKET:PAPER FEED CONTROL BOARD			
3	6LS02866000	HARNESS:24V:CONNECTING:ASS'Y			
4	6LS02849000	PWB:MOTOR CONTROL:ASS'Y			
5	6LS02728000	HARNESS:MOTOR:NO.1:ASS'Y			
6	6LS02729000	HARNESS:MOTOR:NO.2:ASS'Y			
7	6LS02871000	HARNESS:VERTICAL TRANSPORT:ON OFF DETECT:CONNECT			
8	6LS02758000	HARNESS:MOTOR CONTROL:CONNECTING:ASS'Y			
9	6LS02851000	HARNESS:SENSOR:CONNECTING:ASS'Y			
10	6LS02869000	HARNESS:SENSOR:PAPER FEED:ASS'Y			
11	6LS02658000	HOLDER:HARNESS:PAPER FEED			
12	6LS02698000	GEAR:Z25/T37			
13	6LS02706000	TIMING BELT:B60S2M144			
14	6LS02696000	BRACKET:MOTOR:PICKUP ROLLER:PEEN			
15	6LS02542000	CUSHION:STEPPER MOTOR			
16	6LS02561000	STEPPER MOTOR:PAPER TRANSPORT MD:MM56			
17	6LS02560000	STEPPER MOTOR:PAPER TRANSPORT MD:MM42			
18	6LS02499000	CUSHION:STEPPER MOTOR			
19	6LS02694000	BRACKET:MOTOR:PULL OUT:PEEN			
20	6LS02656000	BRACKET:SENSOR:ON OFF DETECTOR			
21	6LS02558000	PHOTOINTERRUPTOR-EE-SX4235A-P1			
22	6LS02695000	TIMING BELT:S2M:90			
23	6LS02697000	GEAR:Z23/T25			
24	6LS02562000	STEPPER MOTOR:DRIVE			
25	6LS02699000	BRACKET:RISING UNIT:PEEN			
26	6LS02700000	GEAR:Z29/T36			
27	6LS02701000	TIMING BELT:B60S2M110			
101	6LS02459000	TAPPING SCREW:4X6			
102	6LS02440000	SCREW:M3X6			
103	6LS02447000	TAPPING SCREW:4X6			
104	6LS02448000	TAPPING SCREW:4X8			
105	6LS02467000	RETAINING RINGS-E:6			
106	6LS02474000	LOCKING SUPPORT:4.8MM:V-0			
108	6LS02481000	CLAMP:LWSM-0306			
109	6LS02438000	SCREW:M4x8			
110	6LS02454000	BINDING SELF TAPPING SCREW:3X6			
111	6LS02478000	CLAMP:LWS-1316Z			
112	6LS02476000	CLAMP:LWS-0511Z			
113	6LS02479000	CLAMP:LWS-0711Z			



ITEM No.	PART No.	PART NAME	Q'TY / PAGE	Q'TY / PACK	REMARKS
1	6LS02560000	STEPPER MOTOR:PAPER TRANSPORT MD:MM42			
2	6LS02499000	CUSHION:STEPPER MOTOR			
3	6LS02718000	BRACKET:STEPPER MOTOR			
4	6LS02717000	TIMING BELT:B60S2M126			
5	6LS02854000	HARNESS:MAIN:SENSOR:ASS'Y			
6	6LS02848000	PWB:MAIN CONTROL:ASS'Y			
7	6LS02719000	BASE:BASE			
8	6LS02570000	TIMING PULLEY:CONNECTING:DRIVE:25T			
9	6LS02720000	TIMING BELT:S2M:222			
10	6LS02518000	TIMING BELT:B60S2M264			
11	6LS02844000	BRACKET:COUPLING:REAR			
12	6LS02850000	HARNESS:INTERFACE:MACHINE OR COPIER:ASS'Y			
13	6LS02742000	STAY:REAR MIDDLE			
14	6LS02850000	HARNESS:INTERFACE:MACHINE OR COPIER:ASS'Y			
15	6LS02641000	STAY:REAR UPPER			
16	6LS02867000	HARNESS:SAFETY SWITCH:CONNECTING:ASS'Y			
17	6LS02873000	HARNESS:MAIN:MOTOR:ASS'Y			
18	6LS02867000	HARNESS:SAFETY SWITCH:CONNECTING:ASS'Y			
101	6LS02440000	SCREW:M3X6			
102	6LS02447000	TAPPING SCREW:4X6			
103	6LS02459000	TAPPING SCREW:4X6			
104	6LS02467000	RETAINING RINGS-E:6			
105	6LS02477000	CLAMP:LWS-1211Z			
106	6LS02475000	KGLS-12S(V0)			
107	6LS02488000	EDGE SADDLE:LES-0510			
108	6LS02489000	BUSHING:SR-6P3-4			



ITEM No.	PART No.	PART NAME	Q'TY / PAGE	Q'TY / PACK	REMARKS
1	6LS02810000	COVER:REAR UPPER			
2	6LS02805000	COVER:REAR LOWER			
3	6LS02812000	COVER:HORIZONTAL TRANSPORT:UPPER			
4	6LS02639000	STAY:COVER:FRONT LOWER:PEEN			
5	6LS02640000	STAY:COVER:FRONT MIDDLE			
6	6LS02804000	COVER:FRONT UPPER			
7	6LS02827000	DECAL:PAPER JAM:HORIZONTAL TRANSPORT			
8	6LS02744000	HINGE:COVER:UPPER:PEEN			
9	6LS02746000	MAGNET CATCH:COVER:LEFT			
10	6LS02644000	FIX STAND:MAGNET CATCH:COVER:FRONT UPPER			
11	6LS02808000	COVER:FRONT LOWER			
12	6LS02743000	HINGE:COVER:LOWER:PEEN			
13	6LS02537000	HEXAGONAL BOLT:M12X80			
14	6LS02554000	CASTER:60KGF			
15	6LS02503000	PHILIPS SCREW:M5X6			
16	6LS02637000	RECEIVE PLATE:GROUND PLATE			
17	6LS02638000	NUT:SLIDE:STAY			
18	6LS02855000	CASTER:MM25:H33			
19	6LS02731000	SNAP RING			
21	6LS02803000	COVER:FRONT UPPER			
23	6LS02741000	STAY:COVER:FRONT LOWER:PEEN			
24	6LS02795000	STAY:COVER:FRONT MIDDLE			
25	6LS02807000	COVER:FRONT UPPER:CORNER			
26	6LS02802000	SHEET:GRIP			
27	6LS02493000	CUSHION:PAPER TRAY			
28	6LS02642000	BRACKET:COUPLING:FIX			
29	6LS02745000	COVER:LEFT			
30	6LS02573000	GROUND PLATE:COUPLING:LOWER			
31	6LS02636000	BRACKET:GROUND PLATE			
101	6LS02448000	TAPPING SCREW:4X8			
102	6LS02459000	TAPPING SCREW:4X6			
103	6LS02456000	BINDING SELF TAPPING SCREW:4X8			
104	6LS02443000	TAPPING SCREW:4X8			
105	6LS02460000	TAPPING SCREW:4X8			
106	6LS02444000	TAPPING SCREW:3X6			
107	6LS02451000	TAPPING SCREW:4X14			
108	6LS02447000	TAPPING SCREW:4X6			
109	6LS02593000	SCREW:CONTACT POINT:M3			



ITEM No.	PART No.	PART NAME	Q'TY / PAGE	Q'TY / PACK	REMARKS
1	6LS02843000	STAY:CONNECTING:UPPER:PEEN			
2	6LS02846000	GUIDE PLATE:CONNECTING:RIGHT			
3	6LS02845000	GUIDE PLATE:CONNECTING:LEFT			
4	6LS02798000	COUNTER PLATE:PEEN			
5	6LS02806000	INNER COVER:FRAME			
6	6LS02724000	BRACKET:INSTALL:FIX:FRONT			
101	6LS02448000	TAPPING SCREW:4X8			
102	6LS02447000	TAPPING SCREW:4X6			
103	6LS02459000	TAPPING SCREW:4X6			
104	6LS02460000	TAPPING SCREW:4X8			

TOSHIBA

TOSHIBA TEC CORPORATION

1-11-1, OSAKI, SHINAGAWA-KU, TOKYO, 141-8562, JAPAN