

TOSHIBA

SERVICE PARTS LIST

DUAL SCAN DOCUMENT FEEDER

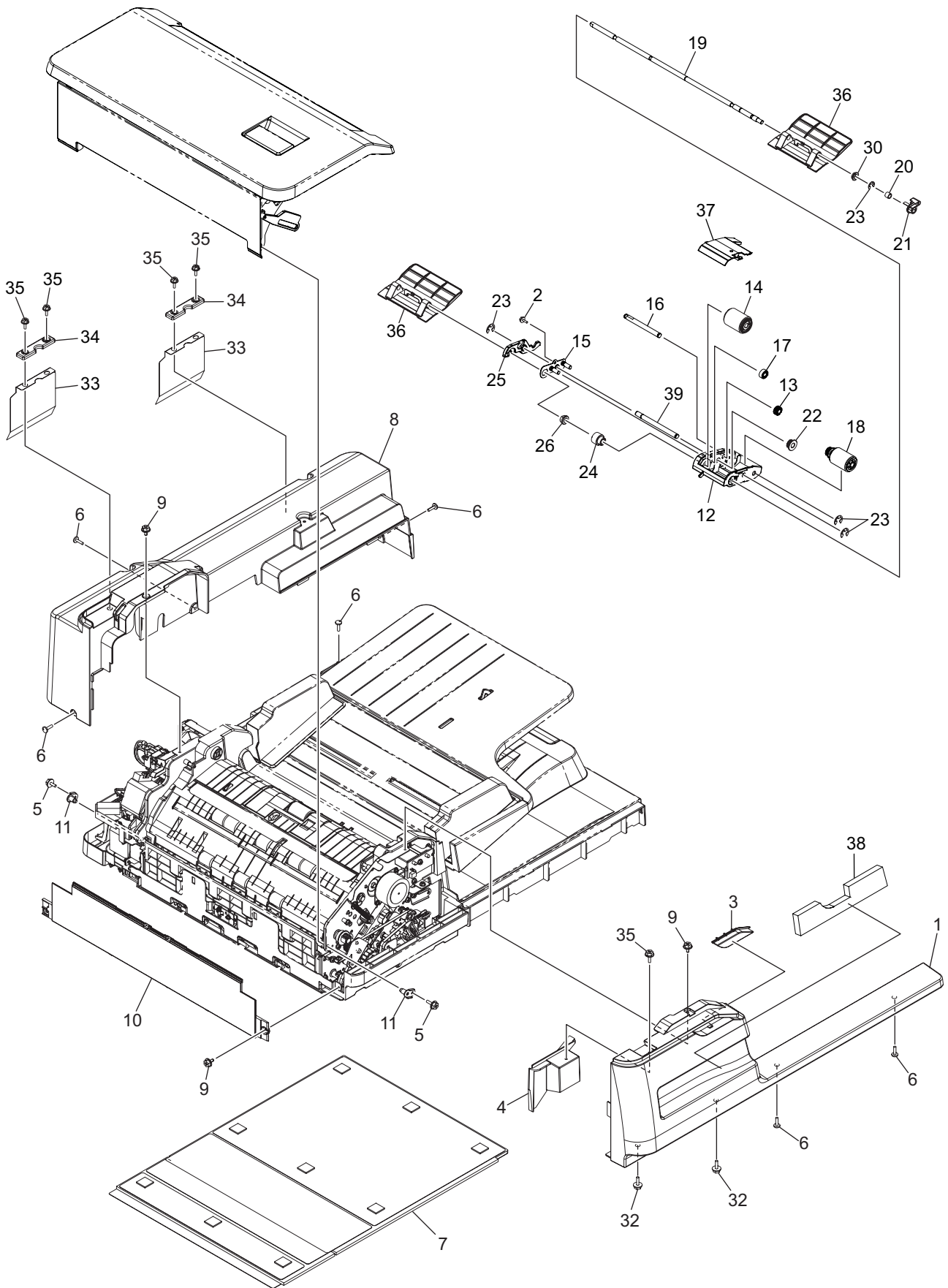
MR-4010/4020

© 2022 Toshiba Tec Corporation All rights reserved

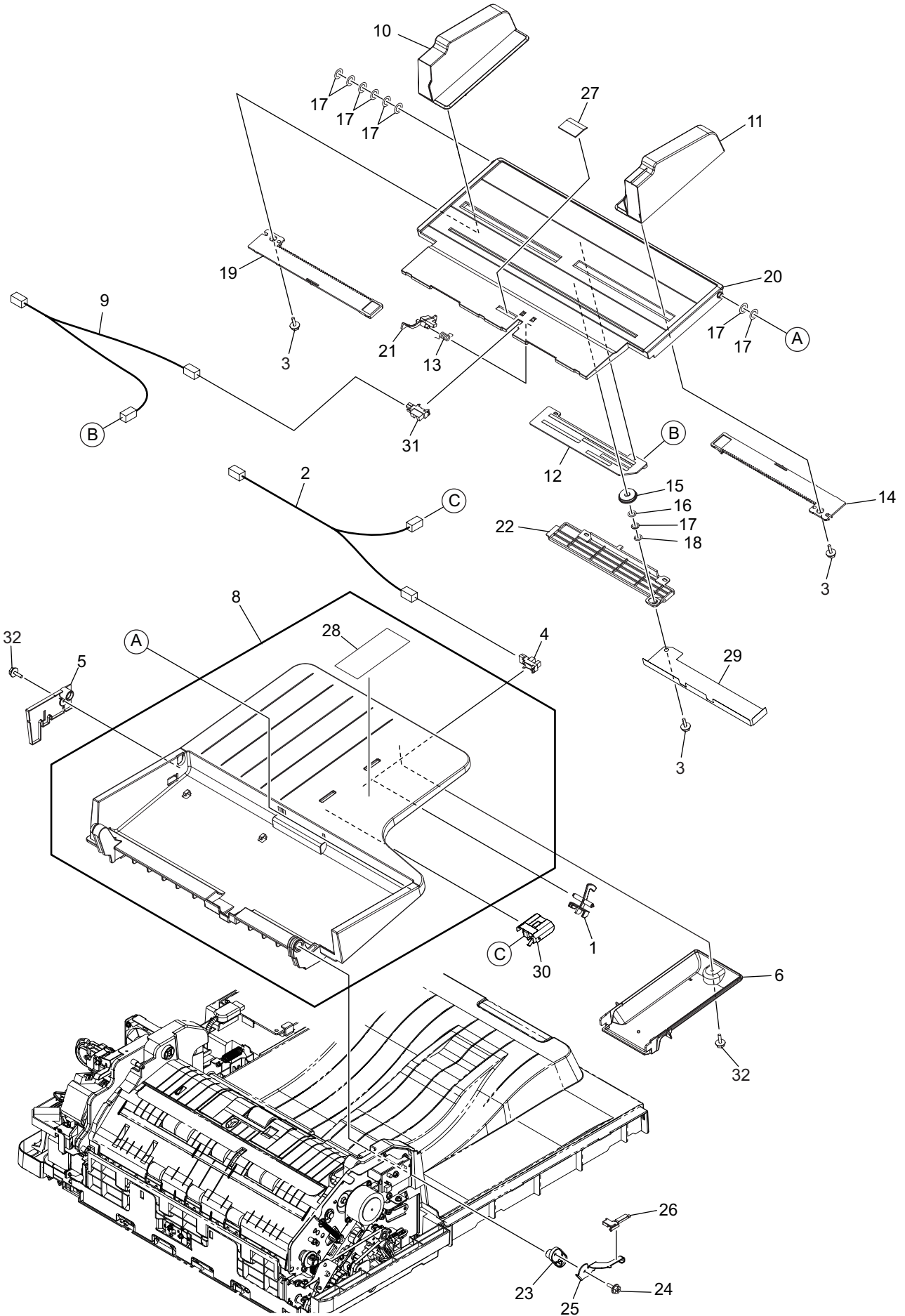
Under the copyright laws, this manual cannot be reproduced in any form without prior written permission of Toshiba Tec Corporation. No patent liability is assumed, however, with respect to the use of the information contained herein.

CONTENTS

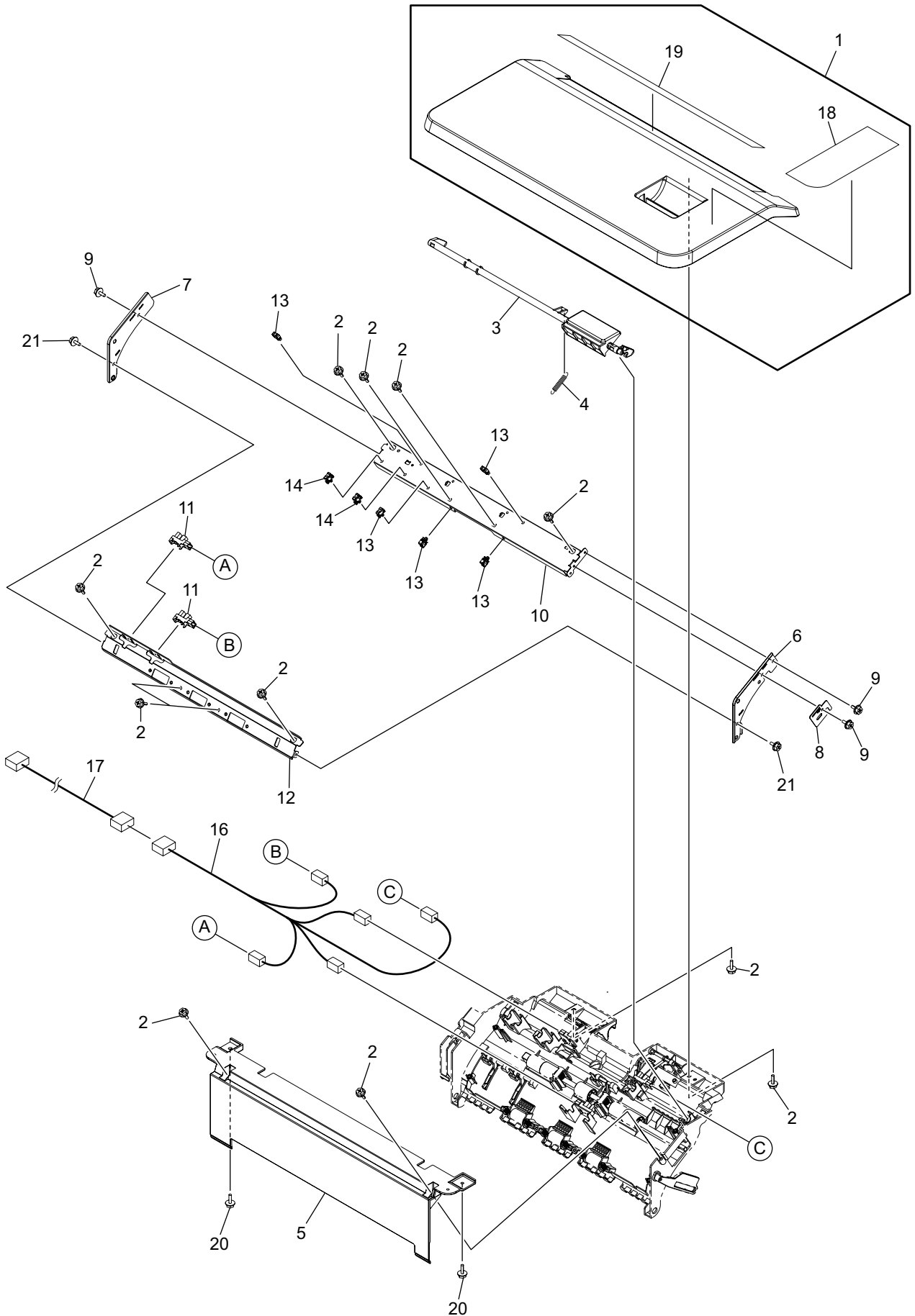
| | |
|---------------------------------|----|
| COVER-ASY | 1 |
| TRAY-ASY | 2 |
| TOP_FEED-1-ASY | 3 |
| TOP_FEED-2-ASY | 4 |
| OPTICAL-ASY | 5 |
| MIDDLE_FEED-DRIVE-ASY | 6 |
| MIDDLE_FEED-1-ASY | 7 |
| MIDDLE_FEED-2-ASY | 8 |
| MIDDLE_FEED-3-ASY | 9 |
| BOTTOM_FEED-DRIVE-ASY | 10 |
| BOTTOM_FEED-1-ASY | 11 |
| BOTTOM_FEED-2-ASY | 12 |
| BOTTOM_FEED-3-ASY | 13 |
| BOTTOM_FEED-4-ASY | 14 |
| BOTTOM_FRAME-ASY | 15 |
| BASE-TRAY-ASY | 16 |
| DOUBLE-FEED-DETECTION-ASM | 17 |
| ACCESSARY_UNIT | 20 |
| ROL-KIT & JIG | 21 |



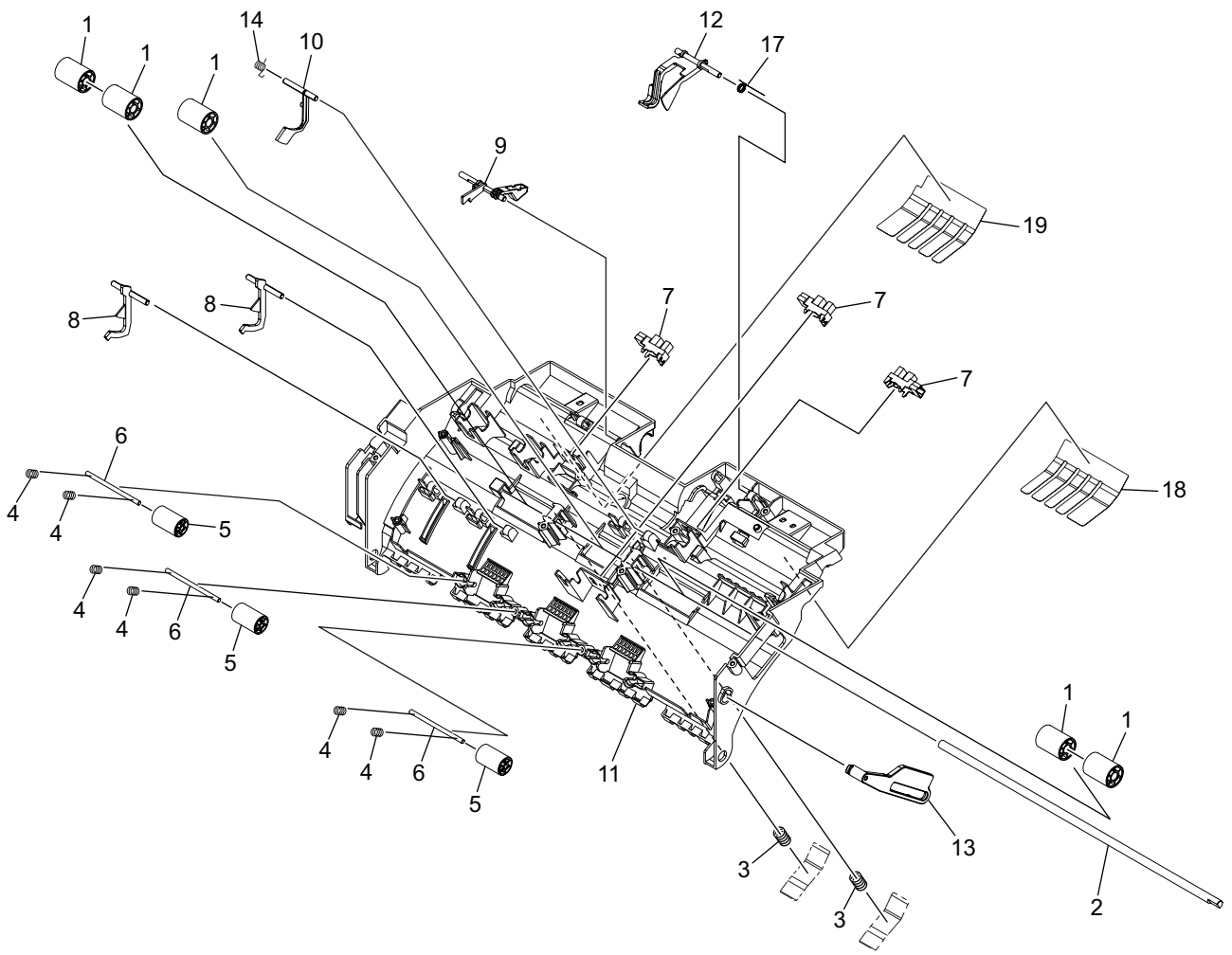
| ITEM No. | PART No. | PART NAME | Q'TY / PAGE | Q'TY / PACK | REMARKS |
|----------|-------------|---------------------------|-------------|-------------|---------|
| 1 | 6LK54371300 | ASYS-COV-FRONT-DSD-F-CS20 | 1 | 1/PP | |
| 2 | X0-02247000 | S/TPP/FHEXM-3X8-NI | 1 | 10/P | |
| 3 | 6LK54136000 | LENS-LED-DSD-F | 1 | 1/P | |
| 4 | 6LK54222000 | COVER-FRONT-SPRT | 1 | 1/PP | |
| 5 | X0-02419000 | S/TPS/FHEXM/R-3X6-ZU3 | 2 | 10/P | |
| 6 | X0-02675000 | S/TPP/BID-3X8-ZB3 | 6 | 5/P | |
| 7 | 6LK56651000 | ASYS-SHEET-PLTN-DSD-F_JW | 1 | 1/KP | |
| 8 | 6LK54286100 | ASYS-COV-REAR-DSD-F2 | 1 | 1/PP | |
| 9 | X0-02687000 | S/TPS/FHEXM/R-3X6-ZB3 | 3 | 10/P | |
| 10 | 6LK56665000 | ASYS-COVER-LEFT-B | 1 | 1/PP | |
| 11 | 6LK54083100 | ASYS-SITEN2 | 2 | 1/P | |
| 12 | 6LK56948000 | HLDR-PICKUP-S20 | 1 | 1/P | |
| 13 | 6LK56941000 | GEAR-5H20-5-S20 | 1 | 1/P | |
| 14 | 6LK56800000 | ASYS-ROL-FEED | 1 | 1/P | |
| 15 | 6LK56946000 | ASYS-PICKUP-S20 | 1 | 1/P | |
| 16 | 6LK56943000 | SFT-FEED-KADO-S20 | 1 | 1/P | |
| 17 | 6LK56940000 | GEAR-5H22-5-S20 | 1 | 1/P | |
| 18 | 6LK56966000 | ASYS-ROL-PICKUP-S20 | 1 | 1/P | |
| 19 | 6LK56969000 | SFT-FEED-K | 1 | 1/P | |
| 20 | 6LK54306000 | BUSH-S5-6 | 1 | 1/P | |
| 21 | 6LK53969000 | LEVER-FEED | 1 | 1/P | |
| 22 | 6LK54069000 | GEAR-5H20-6 | 1 | 1/P | |
| 23 | X0-00966000 | RR/E-5-SS | 4 | 10/P | |
| 24 | 6LK54265000 | ASYS-GEAR-5H20-6-OW | 1 | 1/P | |
| 25 | 6LK56944000 | STOPPER-FEED-ROL-S20 | 1 | 1/P | |
| 26 | 4407734980 | BUSH-6-GCB | 1 | 5/P | |
| 30 | 6LA65696000 | BUSH-6X12X4R8F | 1 | 5/P | |
| 32 | X0-02688000 | S/TPS/FHEXM/R-3X8-ZB3 | 2 | 5/P | |
| 33 | 6LK56688000 | SHEET-COV-HINGE | 2 | 1/KP | |
| 34 | 6LK56687000 | STOPPER-COV-HINGE | 2 | 1/P | |
| 35 | X0-02683000 | S/TPP/FHEXM-3X8-ZB3 | 5 | 5/P | |
| 36 | 6LK56837000 | GUIDE-KADO-FEED | 2 | 1/PP | |
| 37 | 6LK56947000 | COV-HLDR-PICK-S20 | 1 | 1/P | |
| 38 | 6LL48404000 | CUSION-FRONT-4 | 1 | 1/P | |
| 39 | 6LK56979000 | SFT-PICKUP-S20 | 1 | 1/P | |
| | | | | | |
| | | | | | |
| | | | | | |
| | | | | | |
| | | | | | |
| | | | | | |
| | | | | | |
| | | | | | |
| | | | | | |



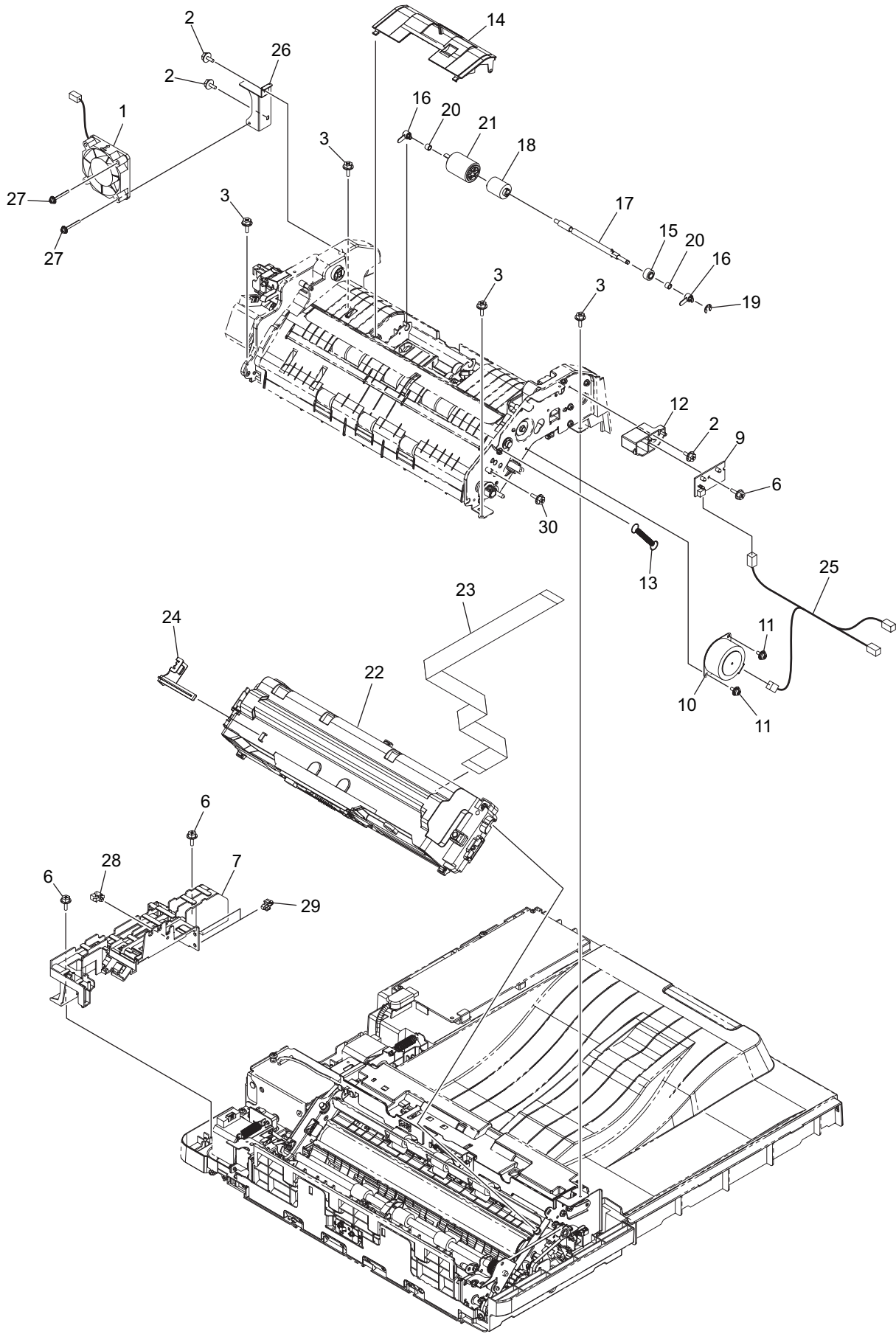
| ITEM No. | PART No. | PART NAME | Q'TY / PAGE | Q'TY / PACK | REMARKS |
|----------|-------------|-------------------------|-------------|-------------|-----------------------|
| 1 | 6LE50461F00 | ACT-SENSOR-TRAY-S_JB | 1 | 1/P | |
| 2 | 6LK53810000 | HRNS-DSDF-TLENGH-H616 | 1 | 1/P | |
| 3 | X0-02247000 | S/TPP/FHEXM-3X8-NI | 3 | 10/P | |
| 4 | C0-20495000 | LG2A24BL1 | 1 | 1/C | |
| 5 | 6LK54123100 | HLDR-TRAY-EV_P | 1 | 1/P | |
| 6 | 6LK54124000 | COV-TRAY-SENS-DSDF | 1 | 1/PP | CND Except for CND |
| 8 A | 6LK54285100 | ASYS-TRAY-ORG-DSDF-C | 1 | 1/PP | |
| 8 B | 6LK54285000 | ASYS-TRAY-ORG-DSDF | 1 | 1/PP | |
| 9 | 6LK53807000 | HRNS-DSDF-TRAY-H616 | 1 | 1/P | |
| 10 | 6LK56727000 | ASYS-SIDE-GID-R-DSDF | 1 | 1/PP | |
| 11 | 6LK56726000 | ASYS-SIDE-GID-F-DSDF | 1 | 1/PP | |
| 12 | 6LK53708000 | PWA-H-TRAY-616 | 1 | 1/SB | |
| 13 | 6LK56557000 | SPG-T-ACT-SNS-EMPTY-R18 | 1 | 1/P | |
| 14 | 6LK54249000 | ASYS-RACK-TRAY-F | 1 | 1/PP | |
| 15 | 4407726480 | PINION-18-395 | 1 | 1/P | |
| 16 | 6LK56839000 | WSHR-W-6-10-XHMB | 1 | 10/P | |
| 17 | F0-01324000 | STW-FT60 T0.25 | 9 | 5/P | |
| 18 | 6LA78907000 | WASHER-6R2X9R5XR13-PL | 1 | 5/P | |
| 19 | 6LK54132000 | RACK-TRAY-PC-DSDF | 1 | 1/P | |
| 20 | 6LK56582000 | ASYS-TRY-EV-DSDF | 1 | 1/PP | |
| 21 | 6LK54129100 | ACT-SNS-EMPTY-P | 1 | 1/P | |
| 22 | 6LK54135000 | COVER-PWA-TRAY-DSDF | 1 | 1/P | |
| 23 | 6LK54064000 | HOLDER-DH | 1 | 1/P | |
| 24 | X0-02240000 | S/TPS/FHEXM-3X10-ZU3 | 1 | 10/P | |
| 25 | 6LK54368000 | BRKT-TRY-ORG | 1 | 1/P | |
| 26 | 6LK54369000 | COV-BRKT-TRY | 1 | 1/P | CND Except for CND |
| 27 | 6LK54388000 | SHEET-PICKUP | 1 | 1/P | |
| 28 A | 6LJ67549200 | LABEL-CAUTION-3031C | 1 | 1/KP | |
| 28 B | 6LJ67409300 | LABEL-CAUTION-H616 | 1 | 1/P | |
| 29 | 6LK56660000 | SHEET-TRAY-EV | 1 | 1/KP | |
| 30 | 6LK56988000 | ASYB-SNS-TRAY-L2N | 1 | 1/C | |
| 31 | 6LK56794000 | ASYS-SNS-EMPTY | 1 | 1/C | |
| 32 | X0-02683000 | S/TPP/FHEXM-3X8-ZB3 | 2 | 5/P | |
| | | | | | |
| | | | | | |
| | | | | | |
| | | | | | |
| | | | | | |
| | | | | | |
| | | | | | |
| | | | | | |
| | | | | | |



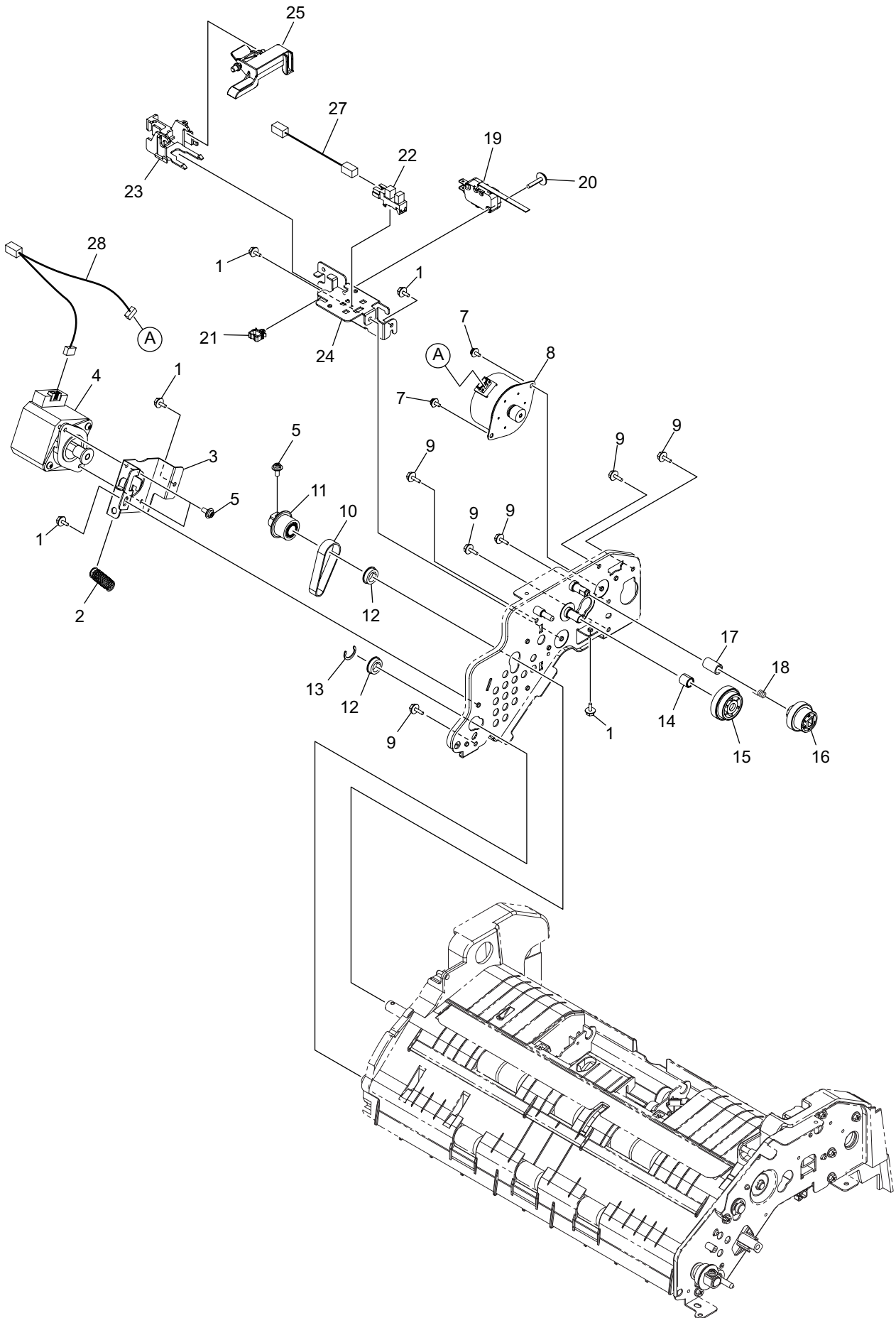
| ITEM No. | PART No. | PART NAME | Q'TY / PAGE | Q'TY / PACK | REMARKS |
|----------|-------------|------------------------|-------------|-------------|-----------------------|
| 1 A | 6LK56925100 | ASYS-COV-TOP-DSDf-CS20 | 1 | 1/PP | CND Except for CND |
| 1 B | 6LK56925000 | ASYS-COV-TOP-DSDf-OS20 | 1 | 1/PP | |
| 2 | X0-02247000 | S/TPP/FHEXM-3X8-NI | 12 | 10/P | |
| 3 | 6LK54008000 | LEVER-TOP | 1 | 1/PP | |
| 4 | 6LK56626000 | SPG-E-5R5XR75X24R9 | 1 | 1/P | |
| 5 | 6LK54139000 | COV-LEFT-U-DSDf | 1 | 1/PP | |
| 6 | 6LK53925000 | BRKT-TOP-F | 1 | 1/P | |
| 7 | 6LK53927000 | BRKT-TOP-R | 1 | 1/P | |
| 8 | 6LK53928000 | BRKT-REGI-ADJUST | 1 | 1/P | |
| 9 | X0-02230000 | S/FHEXM-M3X6-NI | 3 | 10/P | |
| 10 | 6LK54361000 | ASYS-STAY-REGIST | 1 | 1/P | |
| 11 | C0-20495000 | LG2A24BL1 | 2 | 1/C | |
| 12 | 6LK56663100 | STAY-READ1-MD2 | 1 | 1/P | |
| 13 | F0-01933000 | RLMS-1V0 | 5 | 5/P | |
| 14 | F0-01673000 | RMS-2V0 | 2 | 5/P | |
| 16 | 6LK53725000 | HRNS-DSDf-TOP2-H616 | 1 | 1/P | Except for CND CND |
| 17 | 6LK53846000 | HRNS-DSDf-TOP1-H616 | 1 | 1/P | |
| 18 A | 6LK54276000 | LABEL-CLN-H616 | 1 | 1/KP | |
| 18 B | 6LK54328000 | LABEL-CLN-C-H616 | 1 | 1/KP | |
| 19 | 6LL48400000 | LABEL-SIZE-661 | 1 | 1/KP | |
| 20 | X0-02675000 | S/TPP/BID-3X8-ZB3 | 2 | 5/P | |
| 21 | X0-02419000 | S/TPS/FHEXM/R-3X6-ZU3 | 2 | 10/P | |
| | | | | | |
| | | | | | |
| | | | | | |
| | | | | | |
| | | | | | |
| | | | | | |
| | | | | | |
| | | | | | |
| | | | | | |
| | | | | | |



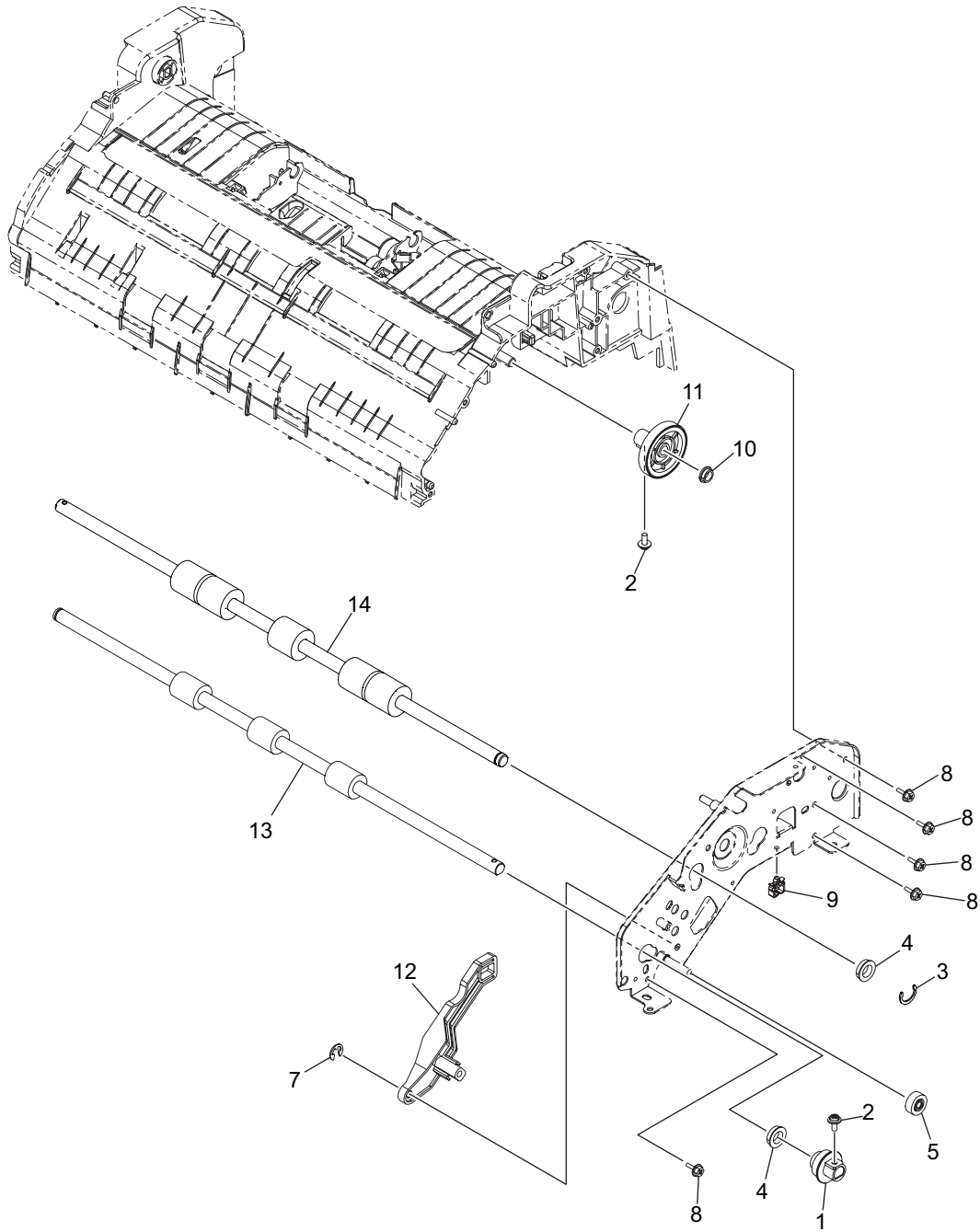
| ITEM No. | PART No. | PART NAME | Q'TY / PAGE | Q'TY / PACK | REMARKS |
|----------|-------------|-----------------------|-------------|-------------|---------|
| 1 | 6LK53962000 | PINCH-ROL-REGI | 5 | 1/P | |
| 2 | 6LK95709000 | SFT-REGIST-PBF1 | 1 | 1/P | |
| 3 | 6LK54022000 | SPG-C-7R4X19R8R | 2 | 1/P | |
| 4 | 6LK56539000 | SPG-C-5X12R-3R5N | 6 | 1/P | |
| 5 | 6LK53963000 | PINCH-ROL | 3 | 1/P | |
| 6 | 6LK95713000 | SFT-PINCH-PBF1 | 3 | 1/P | |
| 7 | C0-20495000 | LG2A24BL1 | 3 | 1/C | |
| 8 | 6LK53965100 | ACTUATOR-SIZE_P | 2 | 1/P | |
| 9 | 6LK56930000 | ACTUATOR-PICKUP-S20 | 1 | 1/P | |
| 10 | 6LK56975000 | ACTUATOR-REGI-S20 | 1 | 1/P | |
| 11 | 6LK56932000 | ASYS-MYLR-FRM-TOP-S20 | 1 | 1/PP | |
| 12 | 6LK53966000 | ACTUATOR-FEED | 1 | 1/P | |
| 13 | 6LK53984000 | STOPPER-TOP | 1 | 1/P | |
| 14 | 6LK54272000 | SPG-T-4R5XR2X100L | 1 | 1/P | |
| 17 | 6LK54021000 | SPG-T-4R25X1R9L | 1 | 1/P | |
| 18 | 6LK56833000 | MYLR-RGST-CURL-F | 1 | 1/P | |
| 19 | 6LK56834000 | MYLR-RGST-CURL-R | 1 | 1/P | |
| | | | | | |
| | | | | | |
| | | | | | |
| | | | | | |
| | | | | | |
| | | | | | |
| | | | | | |
| | | | | | |
| | | | | | |
| | | | | | |
| | | | | | |



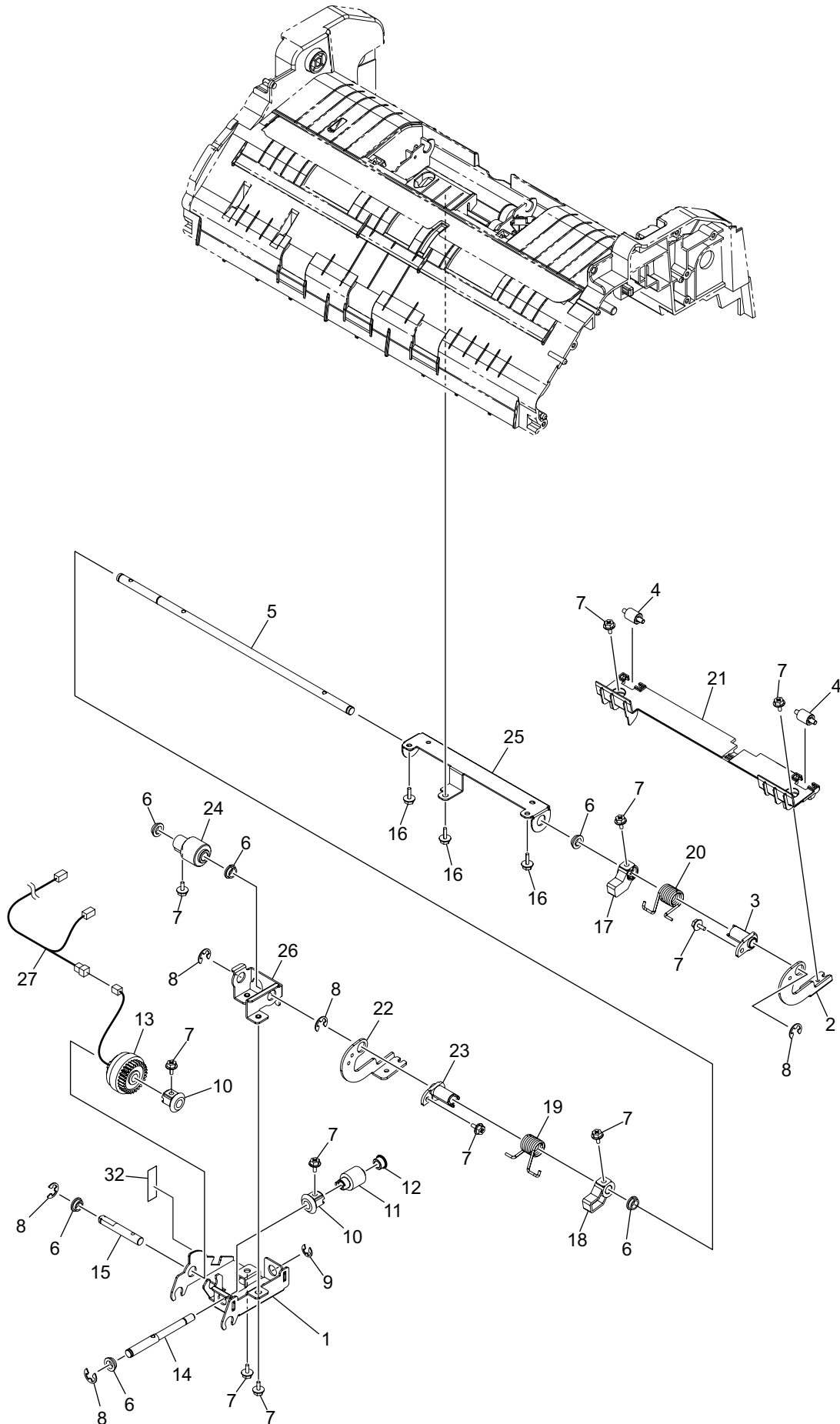
| ITEM No. | PART No. | PART NAME | Q'TY / PAGE | Q'TY / PACK | REMARKS |
|----------|-------------|-----------------------|-------------|-------------|---------|
| 1 | 6LJ67260000 | FAND-6015-H576 | 1 | 1/D | |
| 2 | X0-02419000 | S/TPS/FHEXM/R-3X6-ZU3 | 3 | 10/P | |
| 3 | X0-02420000 | S/TPS/FHEXM/R-3X8-ZU3 | 4 | 10/P | |
| 6 | X0-02247000 | S/TPP/FHEXM-3X8-NI | 3 | 10/P | |
| 7 | 6LK56705000 | HOLDER-CABLE4S | 1 | 1/PP | |
| 9 | 6LJ67242000 | PWA-H-LED-H546 | 1 | 1/C | |
| 10 | 6LL48280000 | MOTRS-DSDf-FEED-H661 | 1 | 1/C | |
| 11 | X0-00060000 | S/PAN/SWwP-M3X6-NI | 2 | 10/P | |
| 12 | 6LK54137000 | HLDR-PWA-LED-DSDf | 1 | 1/P | |
| 13 | 6LK54038000 | SPG-E-4R3X46R95R | 1 | 1/P | |
| 14 | 6LK56976000 | ASYS-COVER-RETARD-S20 | 1 | 1/C | |
| 15 | 6LK53913000 | GEAR-6H17-6-D | 1 | 1/P | |
| 16 | 6LK53971000 | LEVER-RETARD | 2 | 1/P | |
| 17 | 6LK54113100 | ASYS-SFT-RTAD2 | 1 | 1/P | |
| 18 | 6LK54188000 | TL-SEP-ROL-55 | 1 | 1/P | |
| 19 | X0-00964000 | RR/E-3-SS | 1 | 10/P | |
| 20 | 6LK54305000 | BUSH-S4-5 | 2 | 1/P | |
| 21 | 6LK54189000 | ASYS-ROL-RETARD | 1 | 1/P | |
| 22 | 6LK56649000 | CCD-MODULE-H616 | 1 | 1/C | |
| 23 | 6LL48290000 | HRNS-CCDR-DLG-661 | 1 | 1/P | |
| 24 | 6LK54067000 | HOLDER-FFC | 1 | 1/P | |
| 25 | 6LK53849000 | HRNS-DSDf-MID-H616 | 1 | 1/P | |
| 26 | 6LK56652000 | BRKT-60FAN-S | 1 | 1/P | |
| 27 | X0-00130000 | S/PAN/SWwP-M3X20-NI | 2 | 10/P | |
| 28 | F0-01453000 | RMS-1V0 | 1 | 5/P | |
| 29 | F0-02369000 | RWPS-8V0 | 2 | 5/P | |
| 30 | X0-02230000 | S/FHEXM-M3X6-NI | 1 | 10/P | |
| | | | | | |
| | | | | | |
| | | | | | |
| | | | | | |
| | | | | | |
| | | | | | |
| | | | | | |
| | | | | | |
| | | | | | |
| | | | | | |
| | | | | | |
| | | | | | |



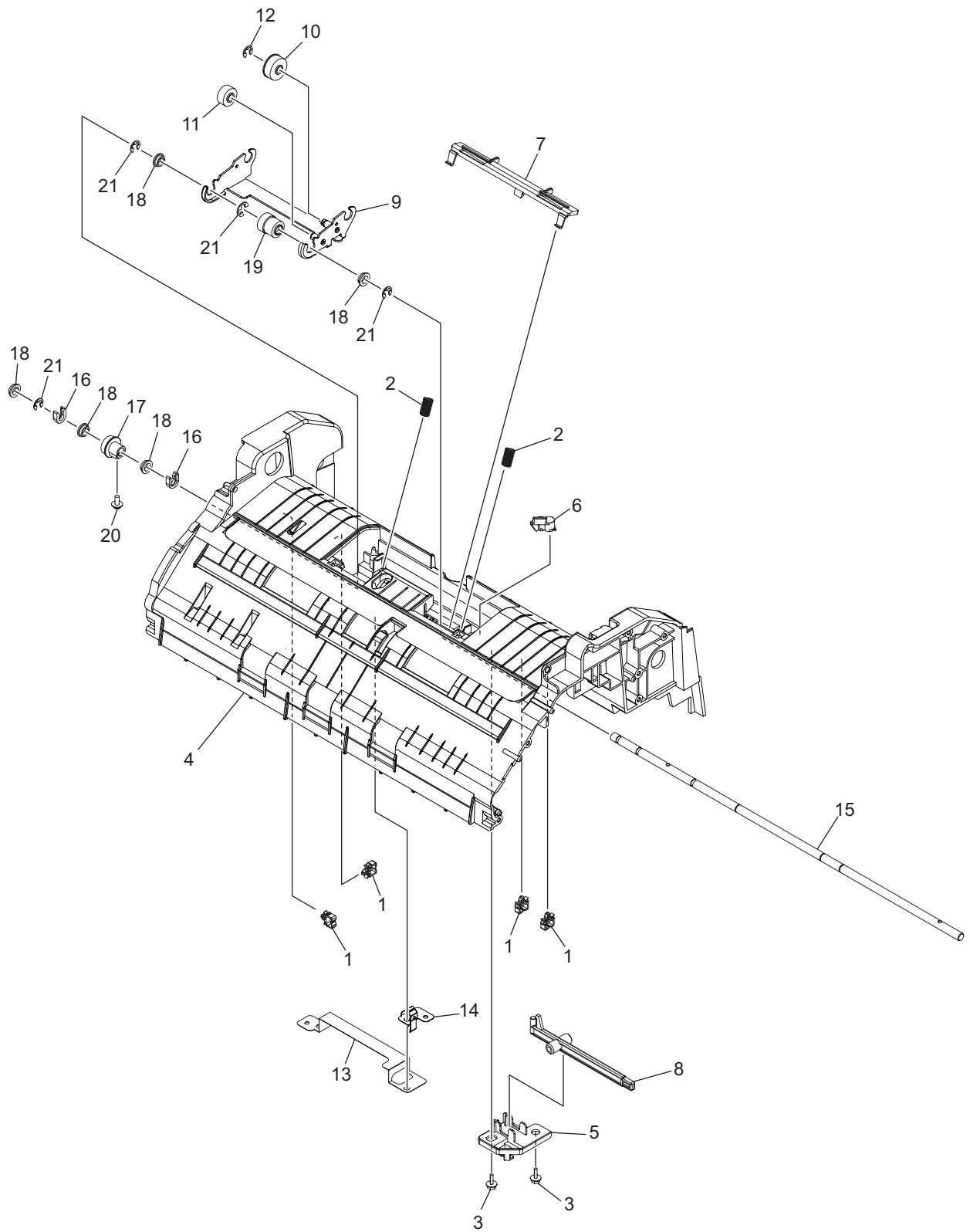
| ITEM No. | PART No. | PART NAME | Q'TY / PAGE | Q'TY / PACK | REMARKS |
|----------|-------------|-----------------------|-------------|-------------|---------|
| 1 | X0-02230000 | S/FHEXM-M3X6-NI | 5 | 10/P | |
| 2 | 6LK54289000 | SPG-E-7R8XR8X25R6 | 1 | 1/P | |
| 3 | 6LK53933000 | BRKT-REGI-MOTOR | 1 | 1/P | |
| 4 | 6LK53723000 | MOTRS-DSD-READ-H616 | 1 | 1/C | |
| 5 | X0-00077000 | S/PAN/SWWP-M3X8-NI | 3 | 10/P | |
| 7 | X0-00060000 | S/PAN/SWWP-M3X6-NI | 2 | 10/P | |
| 8 | 6LL48280000 | MOTRS-DSD-FEED-H661 | 1 | 1/C | |
| 9 | X0-02247000 | S/TPP/FHEXM-3X8-NI | 6 | 10/P | |
| 10 | 6LK54170000 | BELT-103R5-1R5GT-6 | 1 | 1/P | |
| 11 | 6LK53917000 | PULLEY-1R5GT36-8 | 1 | 1/P | |
| 12 | F0-02187000 | DDL-1280ZZHP0P25LY551 | 2 | 1/P | |
| 13 | 6LK56584000 | RING-CE-7 | 1 | 5/P | |
| 14 | 6LK54267000 | B-S6-7 | 1 | 1/P | |
| 15 | 6LK53905000 | GEAR-6H41-H34-6 | 1 | 1/P | |
| 16 | 6LK53904100 | GEAR-6H35-8L | 1 | 1/P | |
| 17 | 6LK54307000 | BUSH-S6-13 | 1 | 1/P | |
| 18 | 6LK54024000 | SPG-C-3X4R3R | 1 | 1/P | |
| 19 | E0-14527000 | D3V-163-1C25(10E) | 1 | 1/C | |
| 20 | X0-01615000 | S/TPS/FPAN-3X14-NC | 1 | 10/P | |
| 21 | F0-01453000 | RMS-1V0 | 1 | 5/P | |
| 22 | C0-20495000 | LG2A24BL1 | 1 | 1/C | |
| 23 | 6LK53985000 | HOLDER-ACTUATOR | 1 | 1/P | |
| 24 | 6LK53940000 | BRKT-SWITCH | 1 | 1/P | |
| 25 | 6LK56672000 | ASYS-ACT-COV-TOP | 1 | 1/P | |
| 27 | 6LK53848000 | HRNS-DSD-COVU-H616 | 1 | 1/P | |
| 28 | 6LK53803000 | HRNS-DSD-MOT1-H616 | 1 | 1/P | |
| | | | | | |
| | | | | | |
| | | | | | |
| | | | | | |
| | | | | | |
| | | | | | |
| | | | | | |
| | | | | | |
| | | | | | |

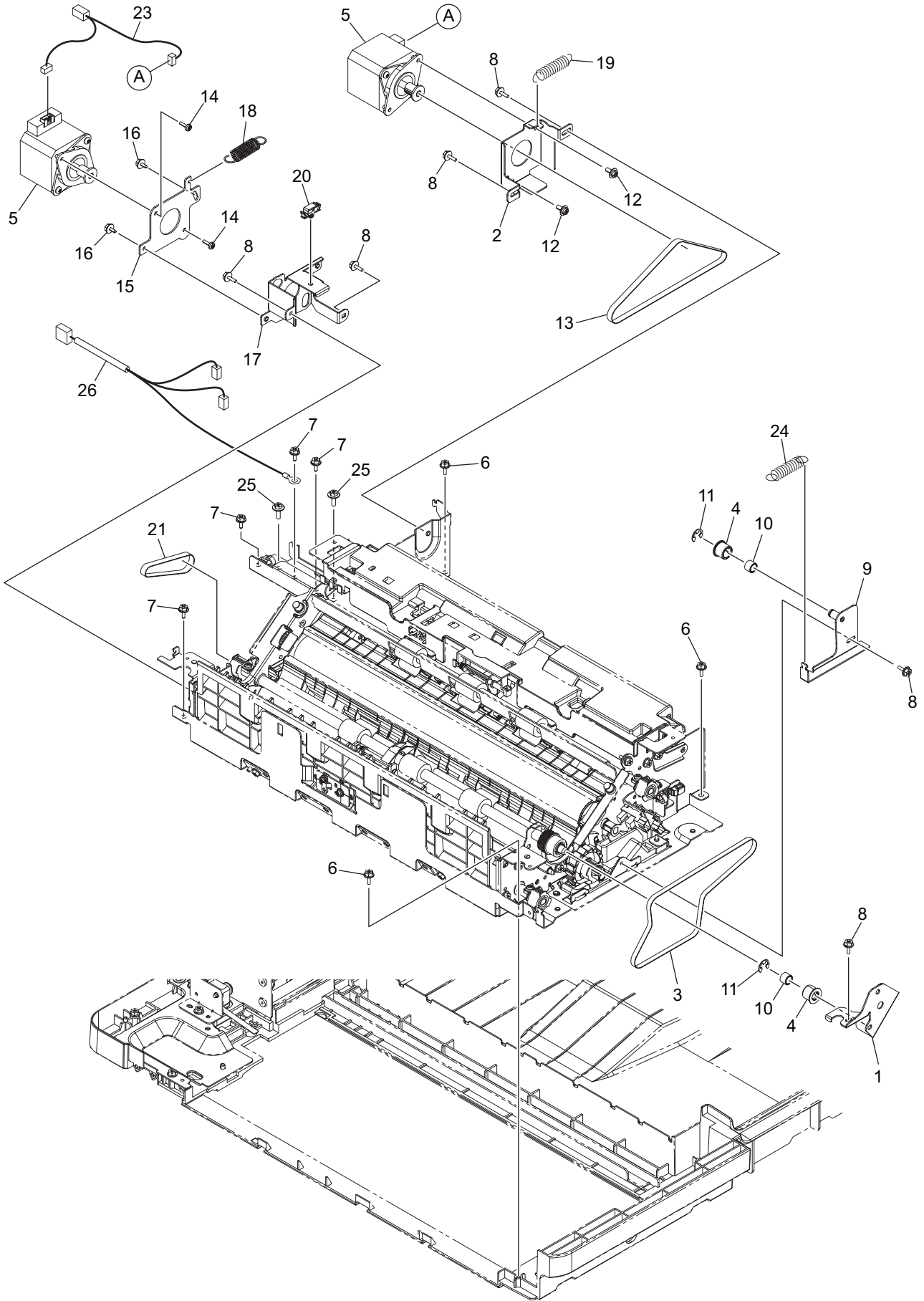


| ITEM No. | PART No. | PART NAME | Q'TY / PAGE | Q'TY / PACK | REMARKS |
|----------|-------------|-------------------------|-------------|-------------|---------|
| 1 | 6LK53907000 | GEAR-6H25-6 | 1 | 1/P | |
| 2 | X0-00077000 | S/PAN/SWWP-M3X8-NI | 2 | 10/P | |
| 3 | 6LK56584000 | RING-CE-7 | 1 | 5/P | |
| 4 | F0-02187000 | DDL-F-1280ZZHP0P25LY551 | 2 | 1/P | |
| 5 | 6LK53906000 | GEAR-6H19-4 | 1 | 1/P | |
| 7 | X0-00964000 | RR/E-3-SS | 1 | 10/P | |
| 8 | X0-02247000 | S/TTP/FHEXM-3X8-NI | 5 | 10/P | |
| 9 | F0-01453000 | RMS-1V0 | 1 | 5/P | |
| 10 | 6LK54304000 | BUSH-F6-3 | 1 | 1/P | |
| 11 | 6LK53909000 | GEAR-6H53-6 | 1 | 1/P | |
| 12 | 6LK53987000 | ARM-LINK1 | 1 | 1/P | |
| 13 | 6LK95723100 | ROL-READ1-PBF2 | 1 | 1/KP | |
| 14 | 6LK95722100 | ROL-REGIST-PBF2 | 1 | 1/KP | |
| | | | | | |
| | | | | | |
| | | | | | |
| | | | | | |
| | | | | | |
| | | | | | |
| | | | | | |
| | | | | | |
| | | | | | |
| | | | | | |
| | | | | | |
| | | | | | |
| | | | | | |
| | | | | | |
| | | | | | |
| | | | | | |
| | | | | | |
| | | | | | |
| | | | | | |
| | | | | | |
| | | | | | |
| | | | | | |
| | | | | | |
| | | | | | |
| | | | | | |

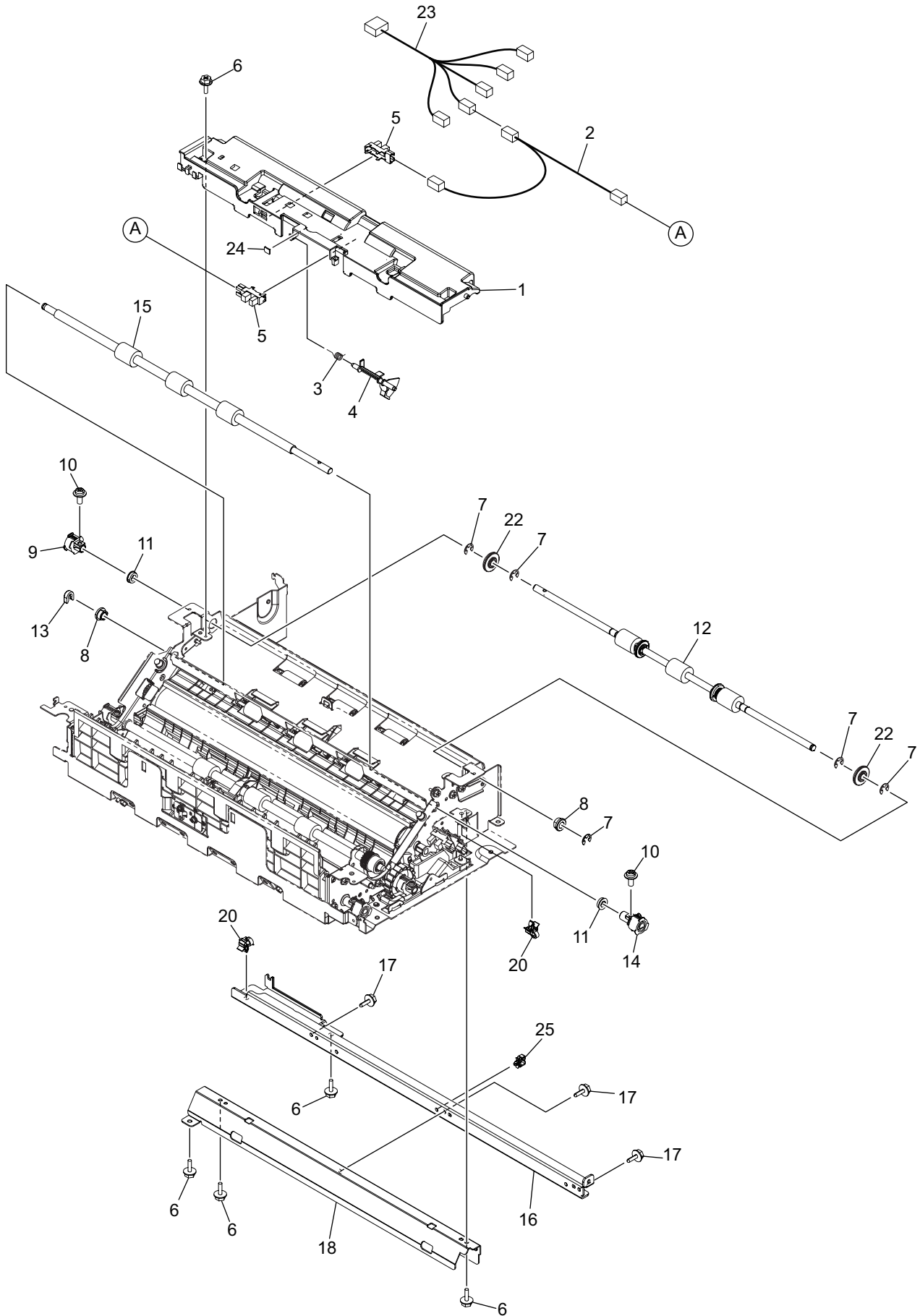


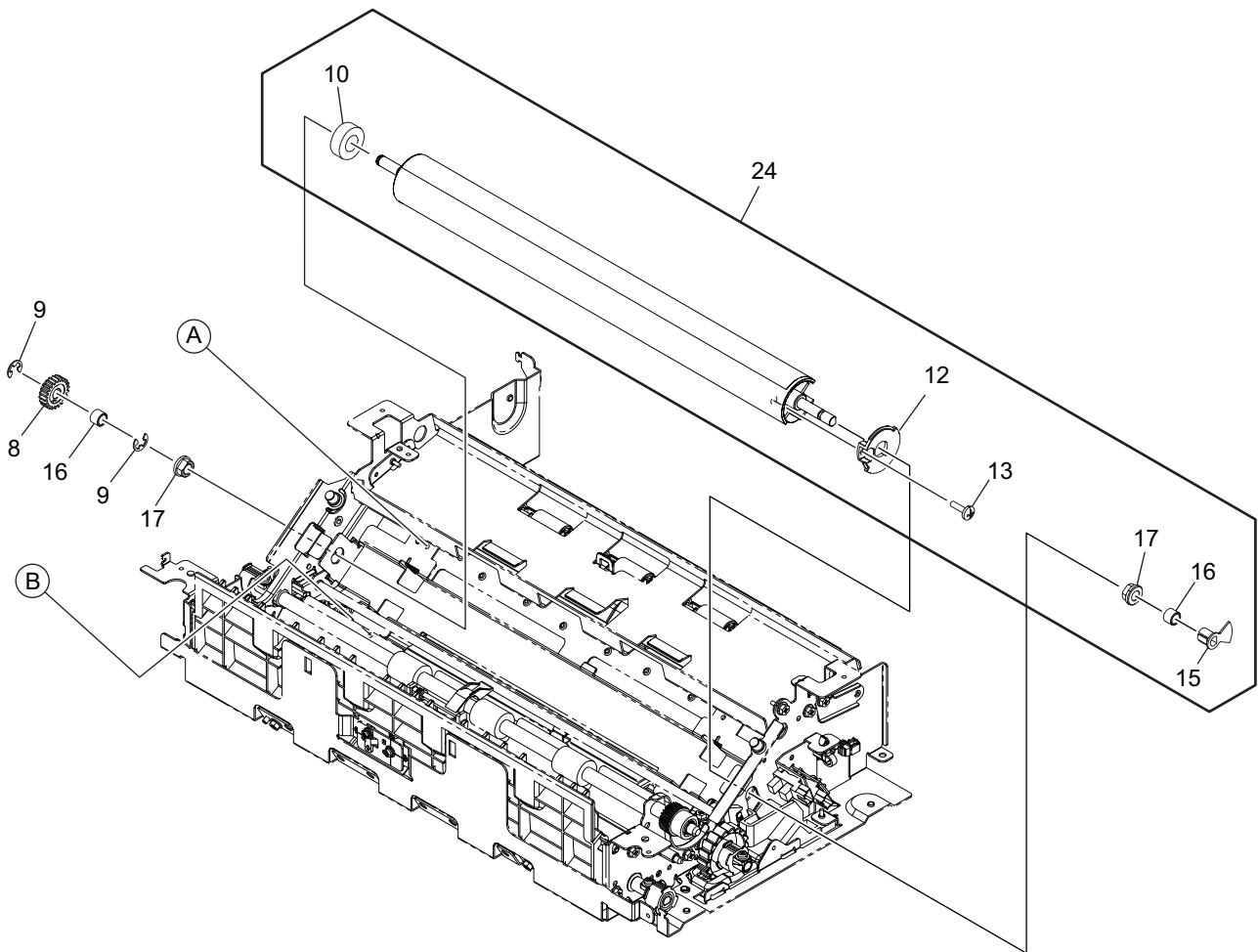
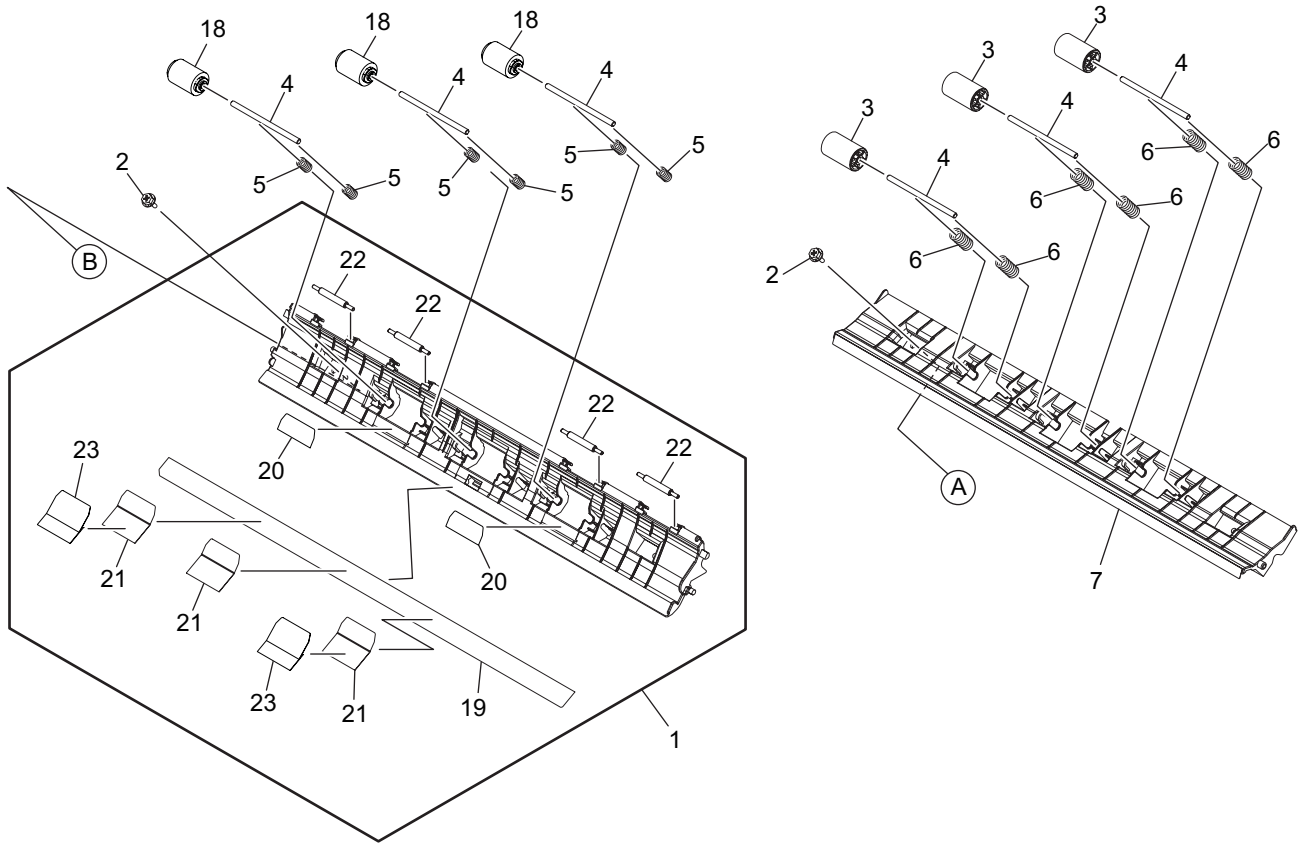
| ITEM No. | PART No. | PART NAME | Q'TY / PAGE | Q'TY / PACK | REMARKS |
|----------|-------------|------------------------|-------------|-------------|---------|
| 1 | 6LK53974000 | ASYS-ELEVATOR-BOX | 1 | 1/P | |
| 2 | 6LK53937000 | BRKT-ELEVATOR-F | 1 | 1/P | |
| 3 | 6LK53981000 | HOLDER-ARM-2F | 1 | 1/P | |
| 4 | 6LK53972000 | ROL-ELEVATOR | 2 | 1/P | |
| 5 | 6LK95715000 | SFT-ELEVATOR-PBF1 | 1 | 1/P | |
| 6 | 6LK54304000 | BUSH-F6-3 | 6 | 1/P | |
| 7 | X0-02230000 | S/FHEXM-M3X6-NI | 11 | 10/P | |
| 8 | X0-00966000 | RR/E-5-SS | 5 | 10/P | |
| 9 | X0-00965000 | RR/E-4-SS | 1 | 10/P | |
| 10 | 6LK53915000 | GEAR-8B17-6 | 2 | 1/P | |
| 11 | 6LL48472000 | WORM-10-11 | 1 | 1/P | |
| 12 | 6LK54194000 | B-F5-4 | 1 | 1/P | |
| 13 | 6LK54193000 | CLUTCH-G28-08-28R5F | 1 | 1/D | |
| 14 | 6LK95707000 | SFT-WORM-PBF1 | 1 | 1/P | |
| 15 | 6LK95716000 | SFT-CLUTCH-PBF1 | 1 | 1/P | |
| 16 | X0-02247000 | S/TPP/FHEXM-3X8-NI | 3 | 10/P | |
| 17 | 6LK53979000 | HOLDER-ARM-1F | 1 | 1/P | |
| 18 | 6LK53980000 | HOLDER-ARM-1R | 1 | 1/P | |
| 19 | 6LK54037000 | SPG-T-9R4X13R75R | 1 | 1/P | |
| 20 | 6LK54036000 | SPG-T-9R4X13R75L | 1 | 1/P | |
| 21 | 6LK53973100 | COVER-ELEVATOR-S20 | 1 | 1/PP | |
| 22 | 6LK53938000 | BRKT-ELEVATOR-R | 1 | 1/P | |
| 23 | 6LK53982000 | HOLDER-ARM-2R | 1 | 1/P | |
| 24 | 6LL48473000 | WORM-WHEEL-14 | 1 | 1/P | |
| 25 | 6LK53936000 | STAY-ELEVATOR | 1 | 1/P | |
| 26 | 6LK54041000 | BRKT-WHEEL-BOX | 1 | 1/P | |
| 27 | 6LK53802000 | HRNS-DSDF-CLT-FAN-H616 | 1 | 1/P | |
| 32 | 6LK54198000 | SHEET-SIDE-GUIDE-DSDF | 1 | 1/P | |
| | | | | | |
| | | | | | |
| | | | | | |
| | | | | | |
| | | | | | |
| | | | | | |
| | | | | | |
| | | | | | |
| | | | | | |
| | | | | | |
| | | | | | |
| | | | | | |
| | | | | | |
| | | | | | |
| | | | | | |
| | | | | | |

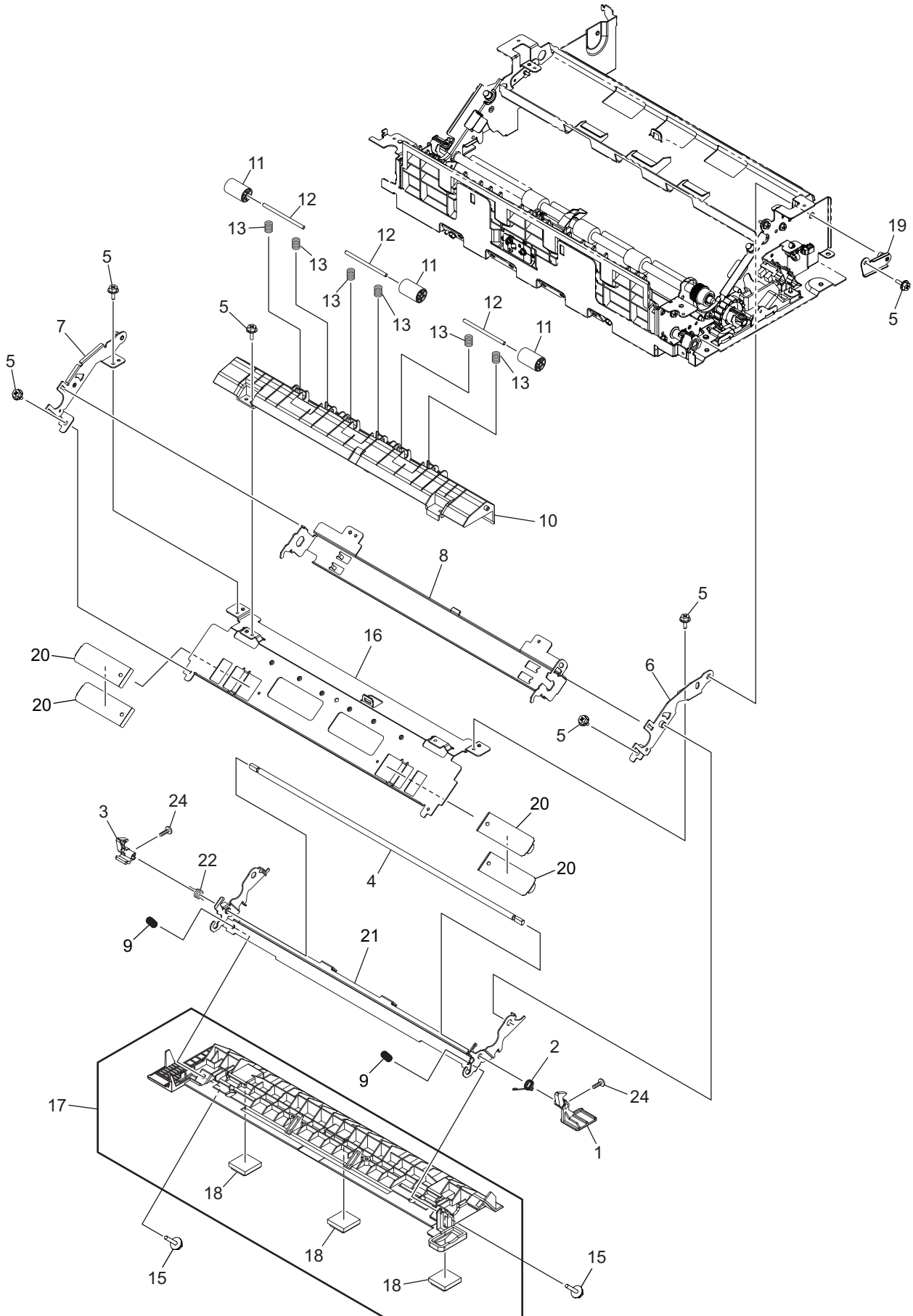


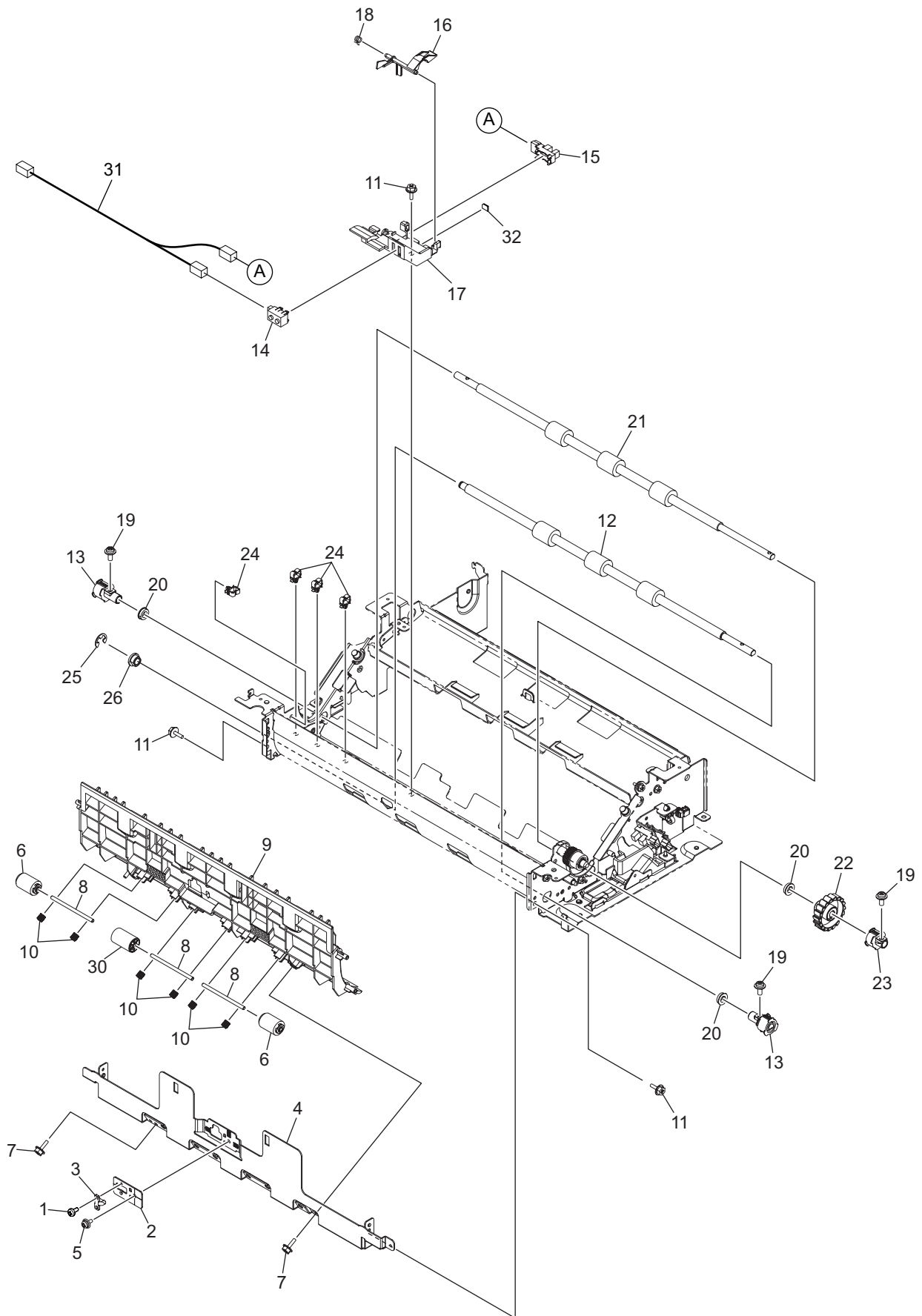


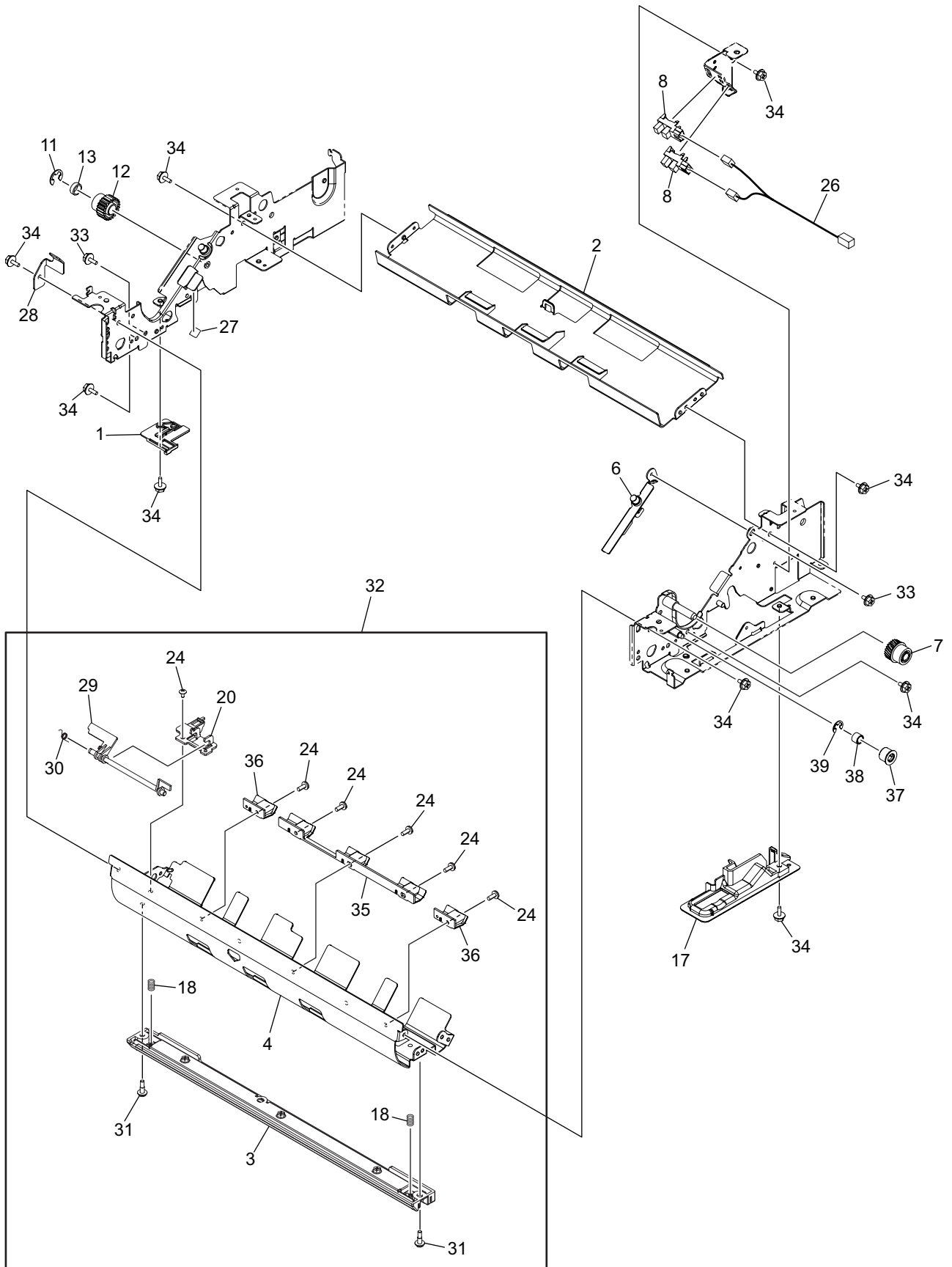
| ITEM No. | PART No. | PART NAME | Q'TY / PAGE | Q'TY / PACK | REMARKS |
|-------------|-------------|-----------------------|-------------------|-------------------|---------|
| 1 | 6LK54294000 | BRKT-STUD-FIX | 1 | 1/P | |
| 2 | 6LK53950000 | BRKT-MOTOR-EJECT | 1 | 1/P | |
| 3 | 6LK54299000 | BELT-339-1R5GT-4 | 1 | 1/P | |
| 4 | 6LK53992100 | IDOLER-PULLY-P | 2 | 1/P | |
| 5 | 6LK53723000 | MOTRS-DSD-F-READ-H616 | 2 | 1/C | |
| 6 | X0-02247000 | S/TPP/FHEXM-3X8-NI | 3 | 10/P | |
| 7 | X0-02420000 | S/TPS/FHEXM/R-3X8-ZU3 | 4 | 10/P | |
| 8 | X0-02231000 | S/FHEXM-M3X8-NI | 6 | 10/P | |
| 9 | 6LK54094100 | ASYS-TENSION-2 | 1 | 1/P | |
| 10 | 6LK54308000 | BUSH-S6-6 | 2 | 1/P | |
| 11 | X0-00966000 | RR/E-5-SS | 2 | 10/P | |
| 12 | X0-00077000 | S/PAN/SWWP-M3X8-NI | 2 | 10/P | |
| 13 | 6LK54172000 | BELT-279-1R5GT-5 | 1 | 1/P | |
| 14 | X0-00074000 | S/PAN-M3X8-NI | 2 | 10/P | |
| 15 | 6LK54295000 | PLT-MTR-READ | 1 | 1/P | |
| 16 | X0-02419000 | S/TPS/FHEXM/R-3X6-ZU3 | 2 | 10/P | |
| 17 | 6LK54296000 | BRKT-MTR-READ-N | 1 | 1/P | |
| 18 | 6LK56628000 | SPG-E-10R5X1R2X32R4 | 1 | 1/P | |
| 19 | 6LK54026000 | SPG-E-8R2X23R5R | 1 | 1/P | |
| 20 | F0-01933000 | RLMS-1V0 | 1 | 5/P | |
| 21 | 6LK54302000 | BELT-124R5-1R5GT-5 | 1 | 1/P | |
| 23 | 6LK53847000 | HRNS-DSD-F-MOT2-H616 | 1 | 1/P | |
| 24 | 6LK54366000 | SPE-BELT-TENS-F-56 | 1 | 1/P | |
| 25 | X0-02252000 | S/TPP/FHEXM-4X10-NI | 2 | 10/P | |
| 26 | 6LK53809000 | HRNS-DSD-F-SCIF-H616 | 1 | 1/P | |
| | | | | | |
| | | | | | |
| | | | | | |
| | | | | | |
| | | | | | |
| | | | | | |
| | | | | | |
| | | | | | |
| | | | | | |

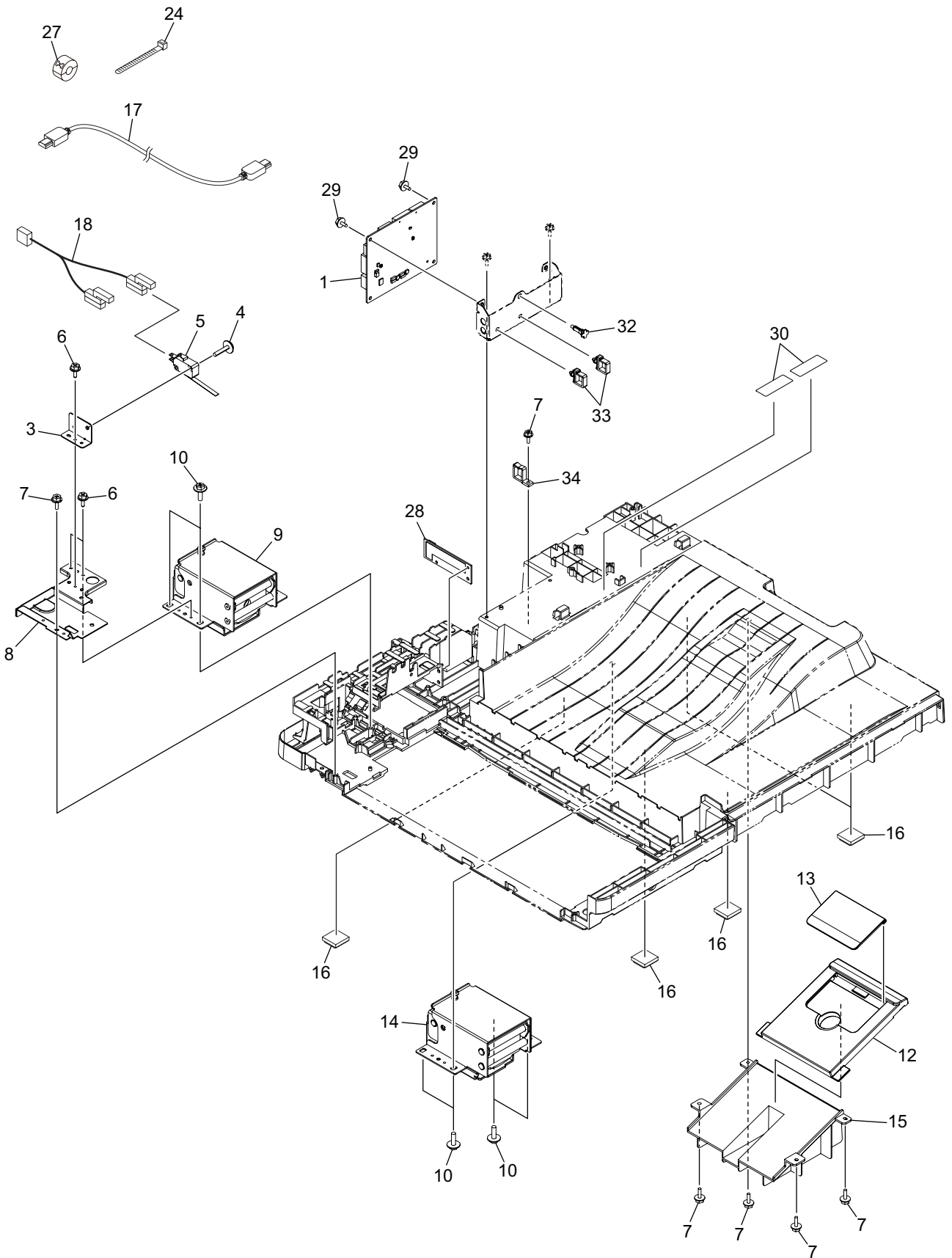


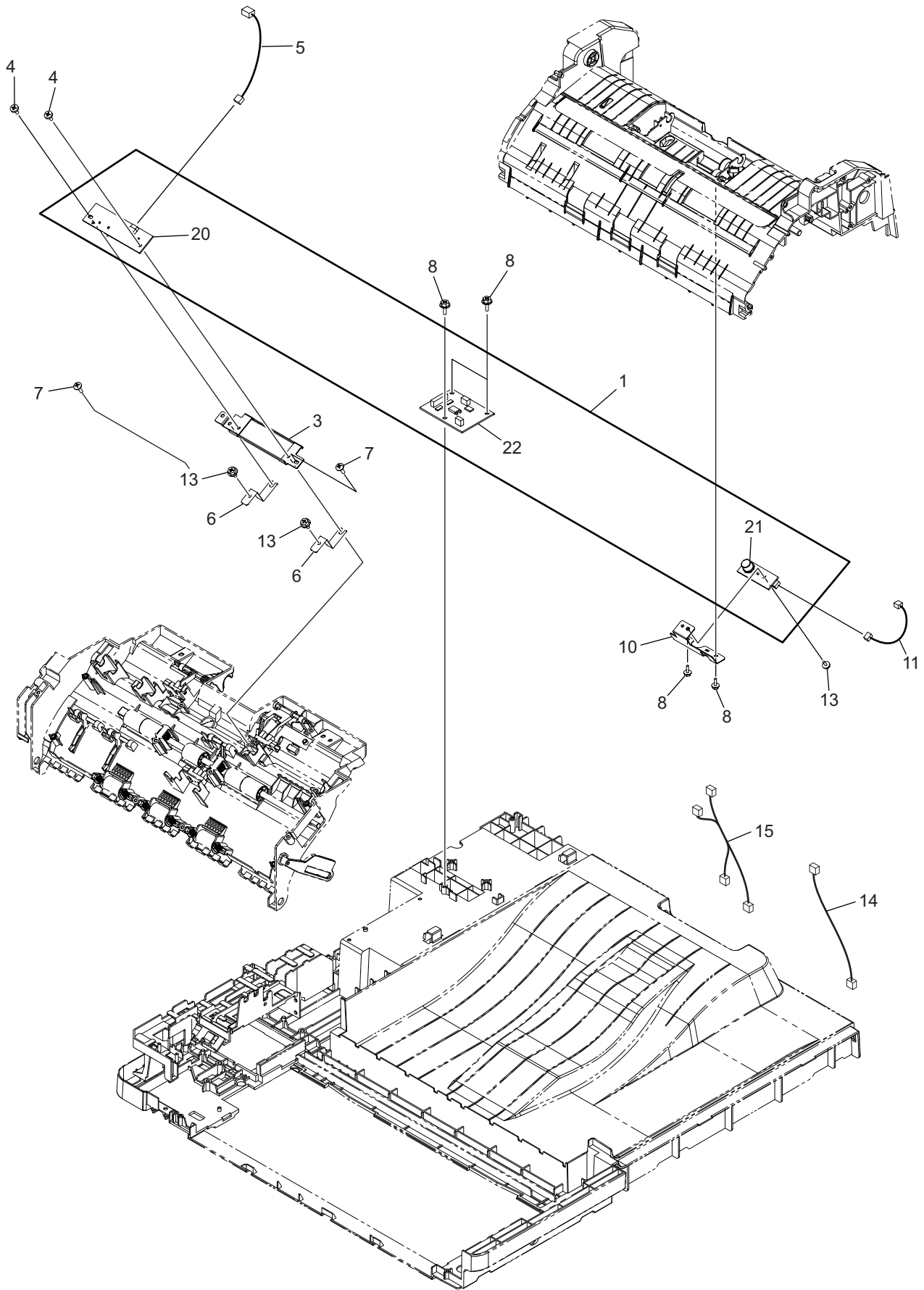


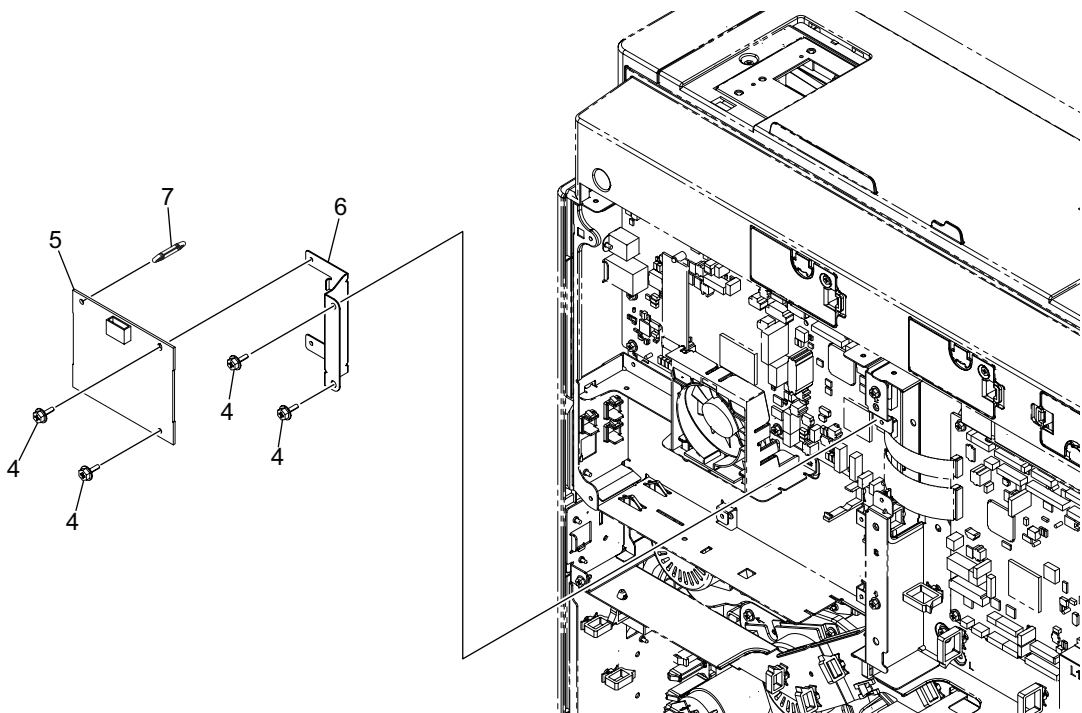
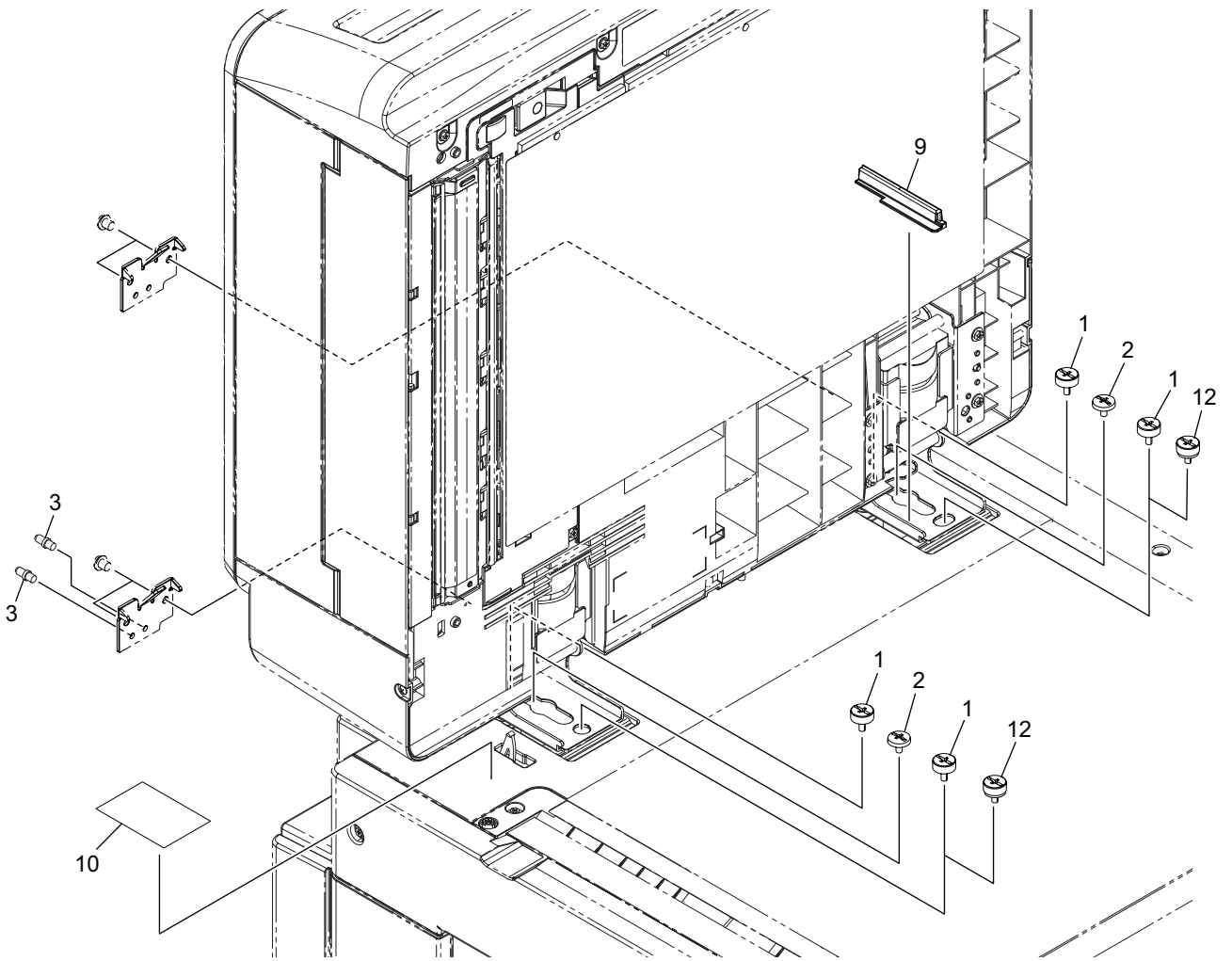


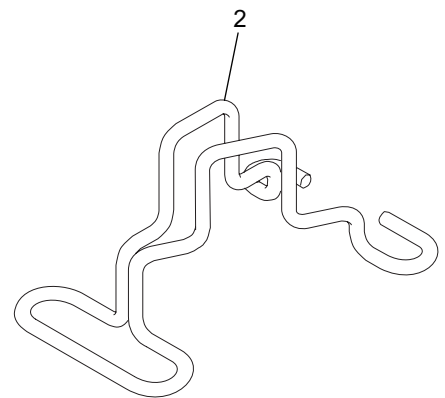
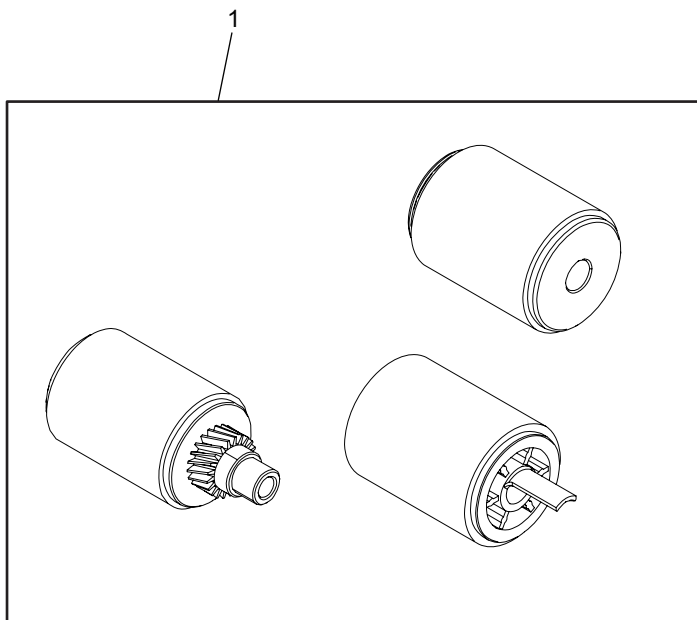












TOSHIBA

Toshiba Tec Corporation

1-11-1, OSAKI, SHINAGAWA-KU, TOKYO, 141-8562, JAPAN