

**TOSHIBA**

# **SERVICE PARTS LIST**

**Reversing Automatic Document Feeder**

# **MR-3033**

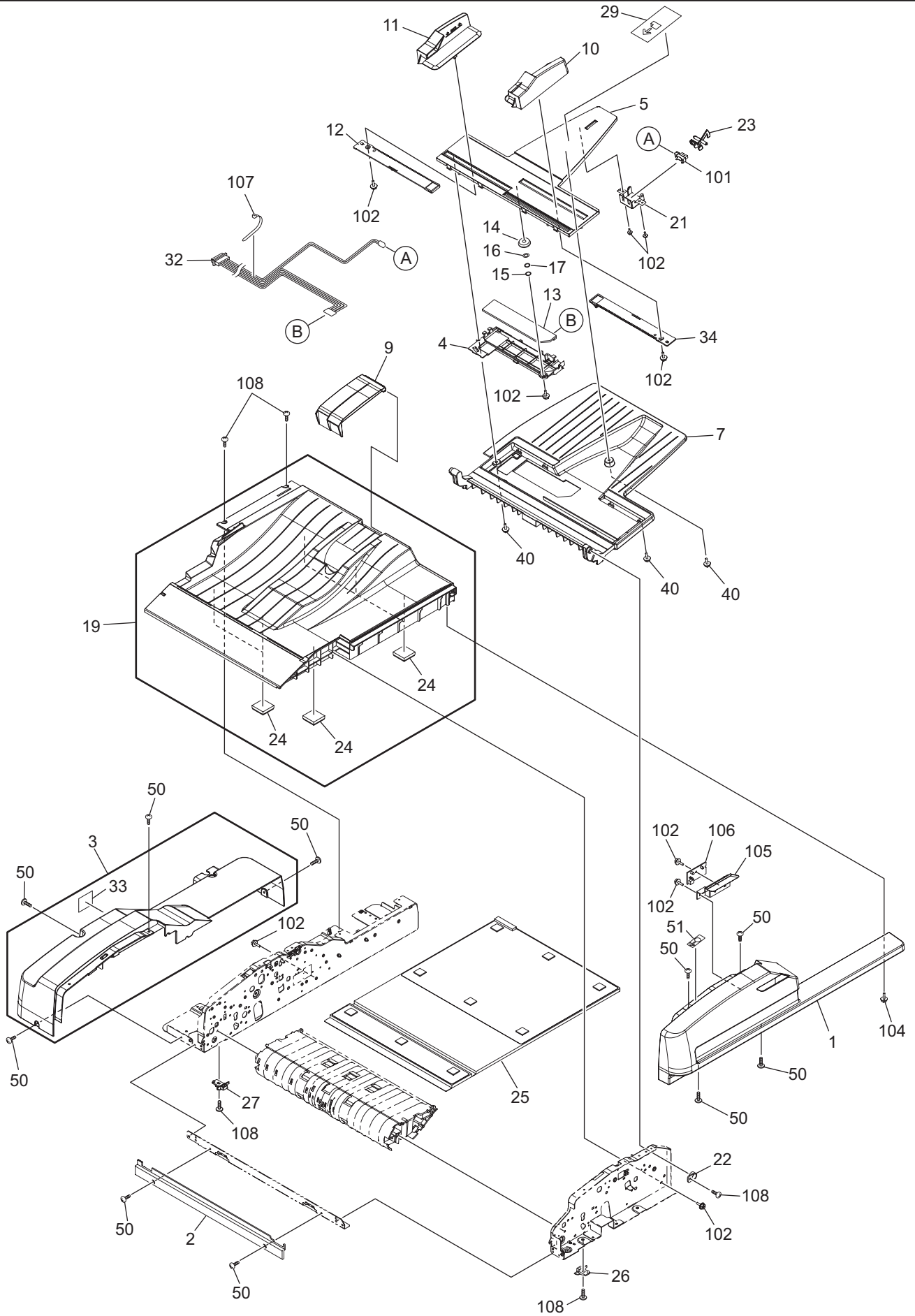
© 2021 Toshiba Tec Corporation All rights reserved

Under the copyright laws, this manual cannot be reproduced in any form without prior written permission of Toshiba Tec Corporation. No patent liability is assumed, however, with respect to the use of the information contained herein.

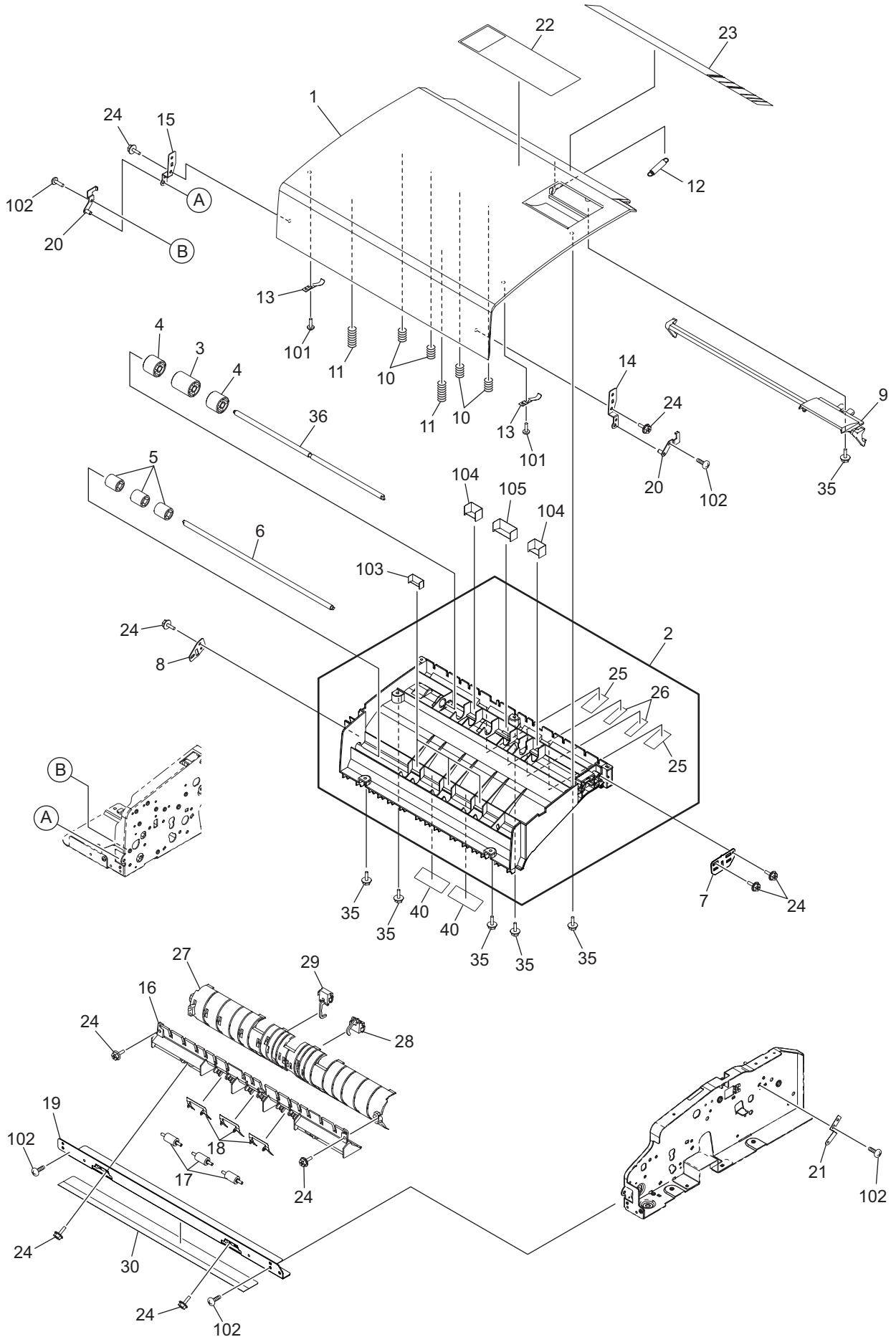
# CONTENTS

COVER-ASY .....	1
GUIDE-OPEN-ASM .....	2
FEED-1-ASY .....	3
FEED-2-ASY .....	4
FEED-3-ASY .....	5
FEED-DRIVE-1-ASM .....	6
HINGE-ASM.....	7
ACCESSARY_and_ROL-KIT .....	11



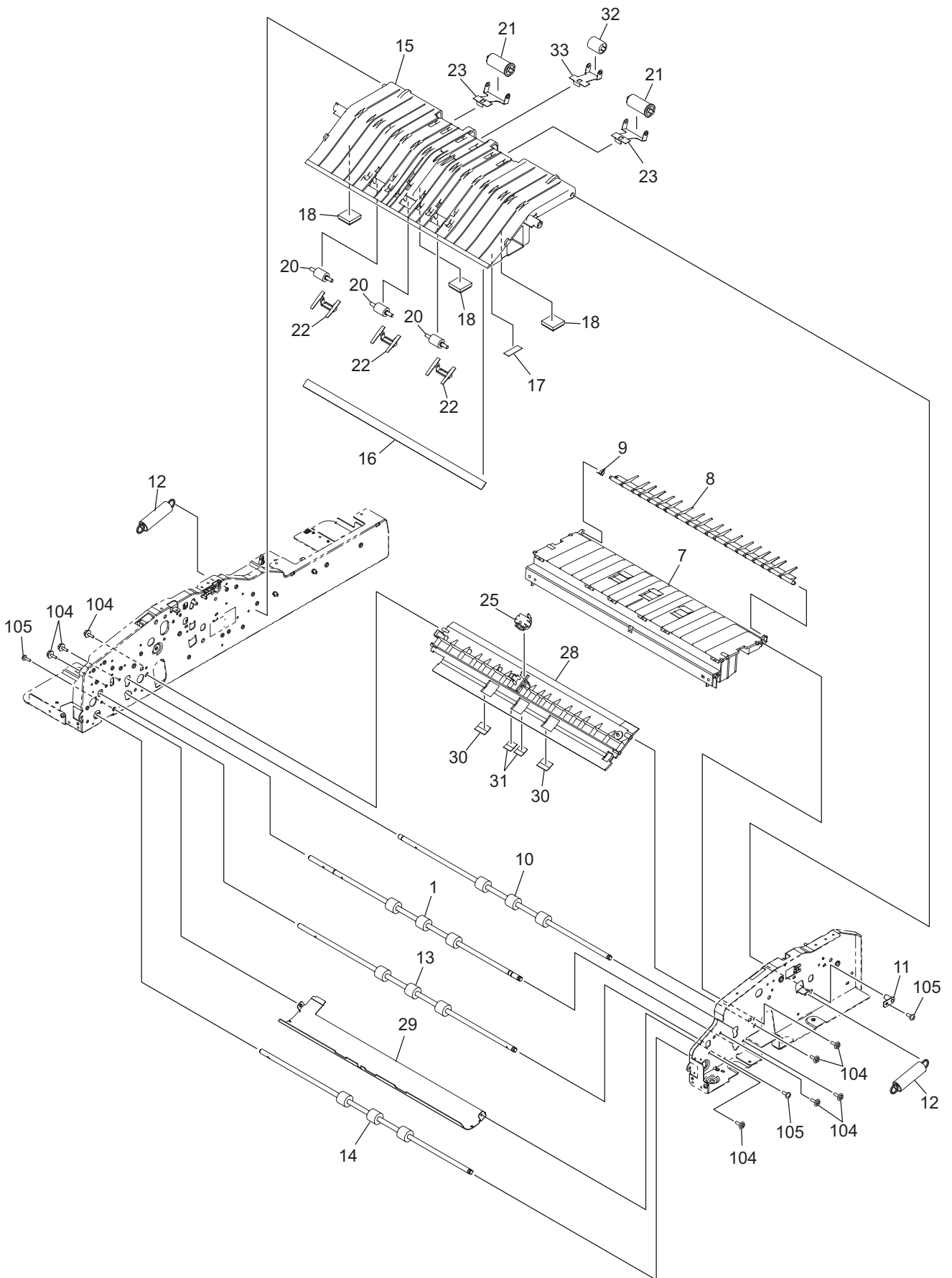


ITEM No.	PART No.	PART NAME	Q'TY / PAGE	Q'TY / PACK	REMARKS
1	6LK69845000	COV-FRONT-H617	1	1/PP	
2	6LE50383100	COV-LEFT-U_JB	1	1/PP	
3	6LK69878000	ASYS-COV-REAR-JB	1	1/PP	
4	6LJ67495400	ASYS-COVER-PWA-TRAY-SZS20	1	1/PP	
5 A	6LK56900000	ASYS-TRAY-INR-S20	1	1/PP	Except CND
5 B	6LK56900100	ASYS-TRAY-INR-S20_C	1	1/PP	CND
7	6LE59912B00	TRAY-ORIGINAL-PC-S20	1	1/PP	
9	6LH60080100	TRAY-SUB-EXIT-H617-JB_S	1	1/PP	
10	6LK56983000	ASYS-GID-TRY-F-PC-S20	1	1/PP	
11	6LK56984000	ASYS-GID-TRY-R-PC-S20	1	1/D	
12	6LK56893000	RACK-TRAY-PC-S20	1	1/P	
13	6LE49586000	PWA-F-TRAY-623	1	1/C	
14	4407726480	PINION-18-395	1	1/P	
15	6LA78907000	WASHER-6R2X9R5XR13-PL	1	5/P	
16	F0-01324000	STW-FT60 T0.25	1	5/P	
17	6LK56839000	WSHR-W-6-10-XHMB	1	10/P	
19	6LH60082000	ASYS-TRAY-EXIT-H617-N	1	1/PP	
21	6LE50464100	HLDR-SENS-LE_576	1	1/P	
22	6LE50470000	HLDR-TRAY-F	1	1/P	
23	6LE50461F00	ACT-SENSOR-TRAY-S_JB	1	1/P	
24	6LE49999000	ASYS-TAPE-MAGIC	6	1/P	
25	6LK71682000	ASYS-SHEET-PLTN_JW	1	1/KP	
26	6LE59788100	STOP-SHEET-F-M_P	1	1/P	
27	6LE59789100	STOP-SHEET-R-M_P	1	1/P	
29 A	6LJ67409300	LABEL-CAUTION-H616	1	1/P	Except CND
29 B	6LJ67549200	LABEL-CAUTION-3031C	1	1/P	CND
32	6LE49580000	HRNS-RUBY-TRAY-623	1	1/P	
33	6LK54279000	LBL_W-COV-JB	1	1/P	
34	6LK56894000	ASYS-RACK-TRY-S20	1	1/PP	
40	X0-02683000	S/TPP/FHEXM-3X8-ZB3	3	5/P	
50	X0-02685000	S/TPD3/BID/R-3X6-ZB3	10	5/P	
51	6LH91067100	LABEL-JAM-1-546	1	5/P	
101	C0-23083000	GP1A173LCS5F	1	1/P	
102	X0-02247000	S/TPP/FHEXM-3X8-NI	9	10/P	
104	X0-02675000	S/TPP/BID-3X8-ZB3	1	5/P	
105	6LK69847000	LENZ-LED_H617	1	1/P	
106	6LJ67242000	PWA-H-LED-H546	1	1/C	
107	F0-01846000	YJ-100	1	5/P	
108	6LA08935000	SCR-M3X6BISR-NI	5	10/P	

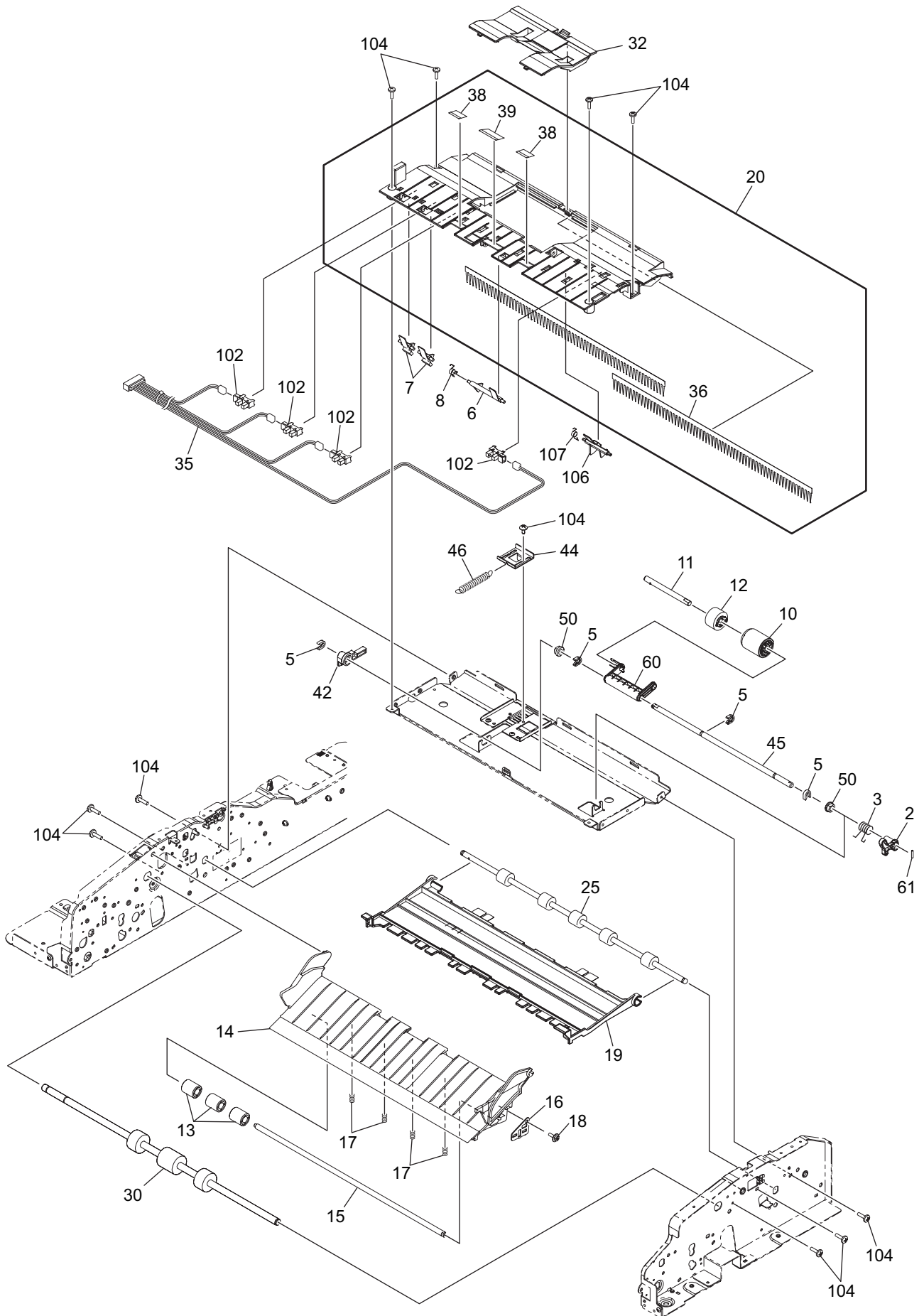


ITEM No.	PART No.	PART NAME	Q'TY / PAGE	Q'TY / PACK	REMARKS
1 A	6LK71687000	ASYS-COV-JAM-H617	1	1/PP	Except CND CND
1 B	6LK71687100	ASYS-COV-JAM-H617C	1	1/PP	
2	6LK71718000	ASYS-GID-COV-JAM-CTR	1	1/PP	
3	6LE50402000	ROL-IDL-D22-L	1	1/P	
4	6LE50404000	ROL-IDL-D22	2	1/P	
5	6LE50406000	ROL-IDL-D16	3	1/P	
6	6LJ48703100	SFT-IDL-ALNG-PBF2	1	1/P	
7	6LK71715000	PLT-SFT-IDL-ALN_N	1	1/P	
8	6LE50415000	PLT-SFT-D16-RD	1	1/P	
9	6LE50416100	LEVER-COV-OP_JB	1	1/PP	
10	6LE50419000	SPG-C-ROL-ALNG	4	1/P	
11	6LE50423000	SPG-C-ROL-MIDL	2	1/P	
12	6LK71680000	SPG-E-COV-JAM-417	1	1/P	
13	6LE50428000	SPG-F-GID-SB-PUSH	2	1/P	
14	6LH57676000	BRKT-COV-JAM-F	1	1/P	
15	6LH57674000	BRKT-COV-JAM-R	1	1/P	
16	6LE90507000	ASYS-GID-RI-D-N	1	1/KP	
17	6LE49897000	ASYS-ROL-IDL-D10	3	1/P	
18	6LE49910000	SPG-F-READ-IN-1.4	3	1/P	
19	6LE59808100	ASYS-STAY-LEFT-D-H617	1	1/KP	
20	6LE49823100	ASYS-PLT-COV-JAM2	2	1/P	Except CND CND
21	6LE49742000	SPG-F-EARTH-EXIT	1	1/P	
22 A	6LK71666000	LABEL-CLN-H617-WW-V	1	1/KP	
22 B	6LK71667000	LABEL-CLN-H617-CN-V	1	1/KP	
23	6LK69897000	LABEL-SIZE-H617	1	1/KP	
24	X0-02247000	S/TPP/FHEXM-3X8-NI	9	10/P	
25	6LH60076000	MYLAR-RGST-1-L	2	1/KP	
26	6LH60077000	MYLAR-RGST-3-L	2	1/KP	
27	6LE59817000	ASYS-GID-RI-U-M	1	1/KP	
28	6LH06323000	SNSR-RADF-EXIT-430	1	1/C	
29	6LH57728000	SNSR-RADF-READ-502	1	1/C	
30	6LE59798000	FILM-STAY-LEFT-D	1	1/KP	
35	X0-02683000	S/TPP/FHEXM-3X8-ZB3	6	5/P	
36	6LK71727100	SFT-IDL-ALNG-CTRN-PBF2	1	1/P	
40	6LL48411000	SHEET-ROL-TRNS	2	1/P	
101	X0-01989000	S/TPP/BID-3X8-NI	2	10/P	
102	6LA08935000	SCR-M3X6BISR-NI	5	10/P	
103	6LE50401000	FILM-GID-COV-JAM-1	3	1/C	
104	6LK71716000	FILM-GID-COV-JAM-N2	2	1/C	
105	6LK71717000	FILM-GID-COV-JAM-N3	1	1/C	

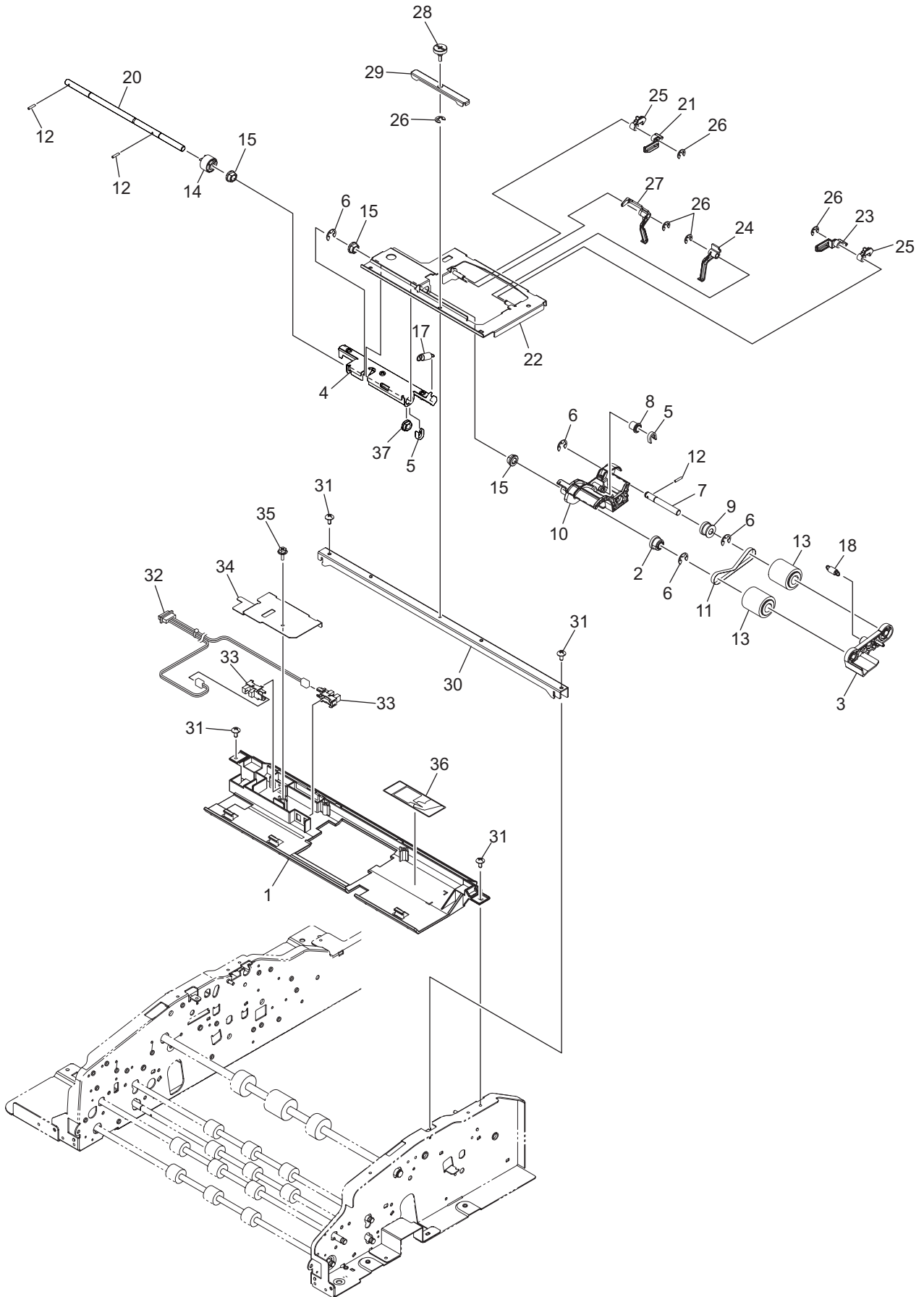




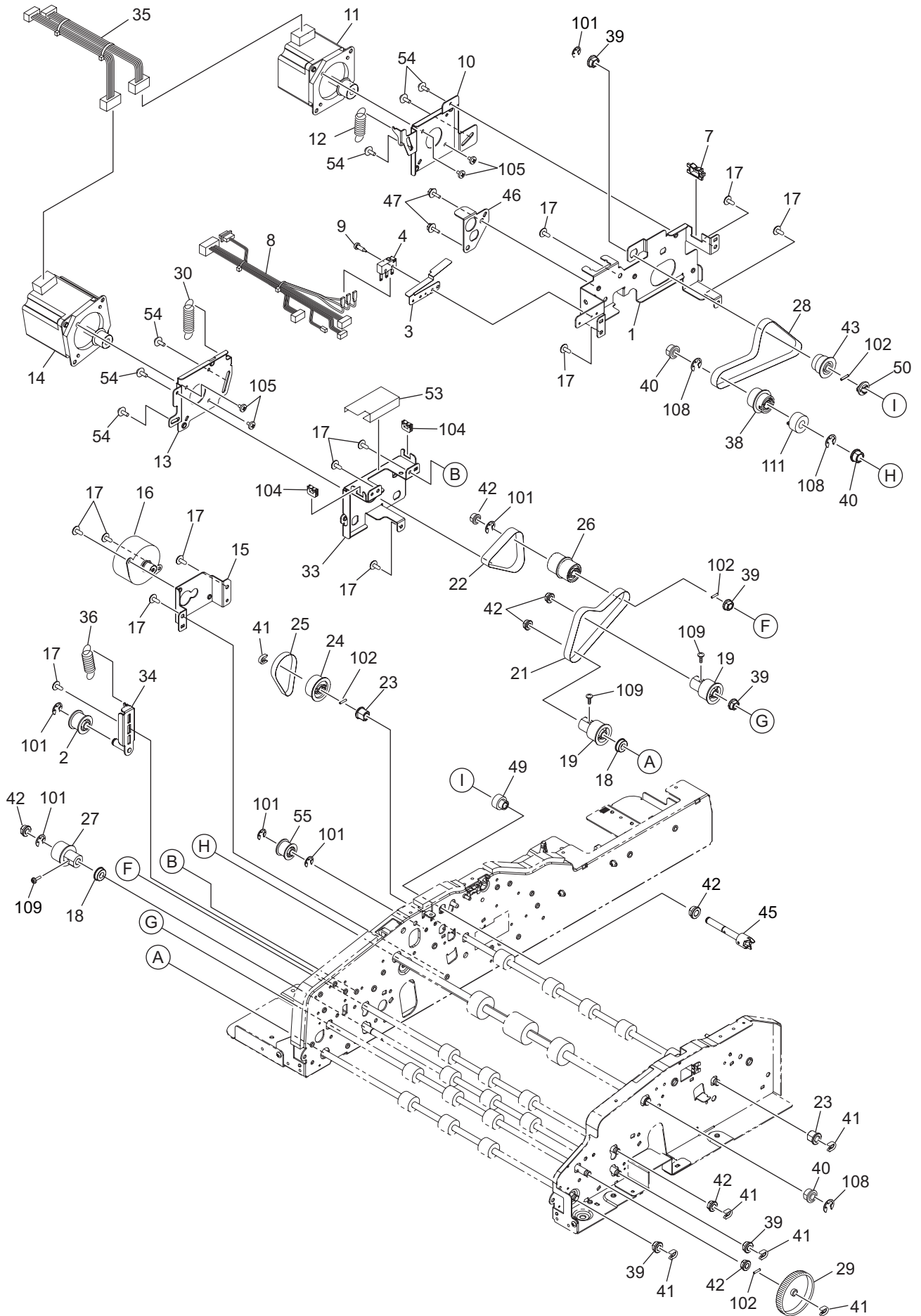
ITEM No.	PART No.	PART NAME	Q'TY / PAGE	Q'TY / PACK	REMARKS
1	6LH60094100	ROL-READ-OUT-PBF2	1	1/KP	
7	6LE59786200	GUIDE-RETURN-M-LG_S	1	1/PP	
8	6LE49780100	FLAP-RETURN-5330	1	1/KP	
9	6LE49784000	SPG-T-FLP-SB	1	1/P	
10	6LH60090000	ROL-SB-ALNG-SG-PBF1	1	1/KP	
11	6LE49948100	ASYS-PLT-GID-RO2	1	1/P	
12	6LE49961000	SPG-E-READ-OUT-D	2	1/P	
13	6LH60091000	ROL-READ-MAIN-S-SG-PBF1	1	1/KP	
14	6LE90539100	ROL-READ-IN-S-PBF2	1	1/KP	
15	6LE59903200	GUIDE-READ-OUT-D-PC-LG_S	1	1/PP	
16	6LE49932000	FILM-READ-OUT	1	1/KP	
17	6LJ67524000	LABEL-JAMOP-3-GRSG	1	5/P	
18	6LE49999000	ASYS-TAPE-MAGIC	3	1/P	
20	6LE59814000	ASYS-ROL-IDL-D12	3	1/P	
21	6LE49939000	ROL-IDL-D16-EXT	2	1/P	
22	6LE59855000	SPG-F-READ-OUT-1.6-M	3	1/C	
23	6LE49945000	SPG-F-IDL-EXIT	2	1/P	
25	6LH06323000	SNSR-RADF-EXIT-430	1	1/C	
28	6LE49878200	GUIDE-READ-OUT-U-LG_S	1	1/PP	
29	6LE59787000	GUIDE-PLTN-M	1	1/PP	
30	6LE49881000	FILM-READ-OUT-1	2	5/P	
31	6LE49882000	FILM-READ-OUT-2	2	5/P	
32	6LE59904000	ROL-IDL-D16-EXT-PC	1	1/P	
33	6LE59905000	SPG-F-IDL-EXIT-PC	1	1/P	
104	X0-02247000	S/TPP/FHEXM-3X8-NI	8	10/P	
105	6LA08935000	SCR-M3X6BISR-NI	3	10/P	



ITEM No.	PART No.	PART NAME	Q'TY / PAGE	Q'TY / PACK	REMARKS
2	6LK56909000	ARM-LVR-CAM-RET-S20	1	1/P	
3	6LE50202000	SPG-T-LVR-CAM-RET	1	1/P	
5	6LE49743000	STOP-RING-6-5-POM	4	5/P	
6	6LK69809100	LEVER-SENS-ALNG_N-P	1	1/P	
7	6LK69835100	LEVER-SENS-WIDTH_N-P	2	1/P	
8	6LE50234000	SPG-T-LVR-ALNG	1	1/P	
10	6LE49877000	ASYS-ROL-RET-RU	1	1/P	
11	6LL48458000	ASYS-SFT-ROL-RET	1	1/P	
12	6LH60089000	TL-SEP-Y-55-LS-N	1	1/P	
13	6LE50406000	ROL-IDL-D16	3	1/P	
14	6LE49866100	ASYS-GID-SB-J-546	1	1/PP	
15	6LK70326000	SFT-IDL-D16-PBF1	1	1/P	
16	6LE50044000	PLT-SFT-IDL-D16	1	1/P	
17	6LE50046000	SPG-C-SB-ALNG	4	1/P	
18	X0-02252000	S/TPP/FHEXM-4X10-NI	1	10/P	
19	6LK71652000	ASYS-GID-EXT-U-H617	1	1/KP	
20	6LK56915000	ASYS-GID-FD-D-S20	1	1/PP	
25	6LH60092000	ROL-EXIT-PC-PS-SG-PBF1	1	1/KP	
30	6LH60093000	ROL-ALNG-PS-L-SG-PBF1	1	1/KP	
32	6LK56914000	ASYS-COV-ROL-RET-S20	1	1/D	
35	6LL36915000	HRNS-RADF-ALIGN-H662	1	1/P	
36	6LJ67462000	BRUSH-ERS-L	1	1/KP	
38	6LE50233000	FILM-ALNG-IN-D-S-0.05	2	1/P	
39	6LK69883000	FILM-ALNG-IN-D-L-0.05	1	1/P	
42	6LK56905000	LVR-SEP-S20	1	1/P	
44	6LK56911000	BRKT-LVR-HOOK-S20	1	1/P	
45	6LK71720000	SFT-LVR-RET-S20	1	1/P	
46	6LK56910000	SPG-SPT-LVR-S20-C	1	1/P	
50	6LE49741000	BUSH-6X10X6F-POM	2	1/P	
60	6LL48459000	HOLDER-ROL-RET-S20P	1	1/P	
61	6LB12168100	PIN-2X10-PBF2	1	10/P	
102	C0-23083000	GP1A173LCS5F	4	1/P	
104	6LA08935000	SCR-M3X6BISR-NI	11	10/P	
106	6LJ67412100	LVR-SENS-LNG_N	1	1/P	
107	6LJ67455000	SPG-T-LNG-3	1	1/P	

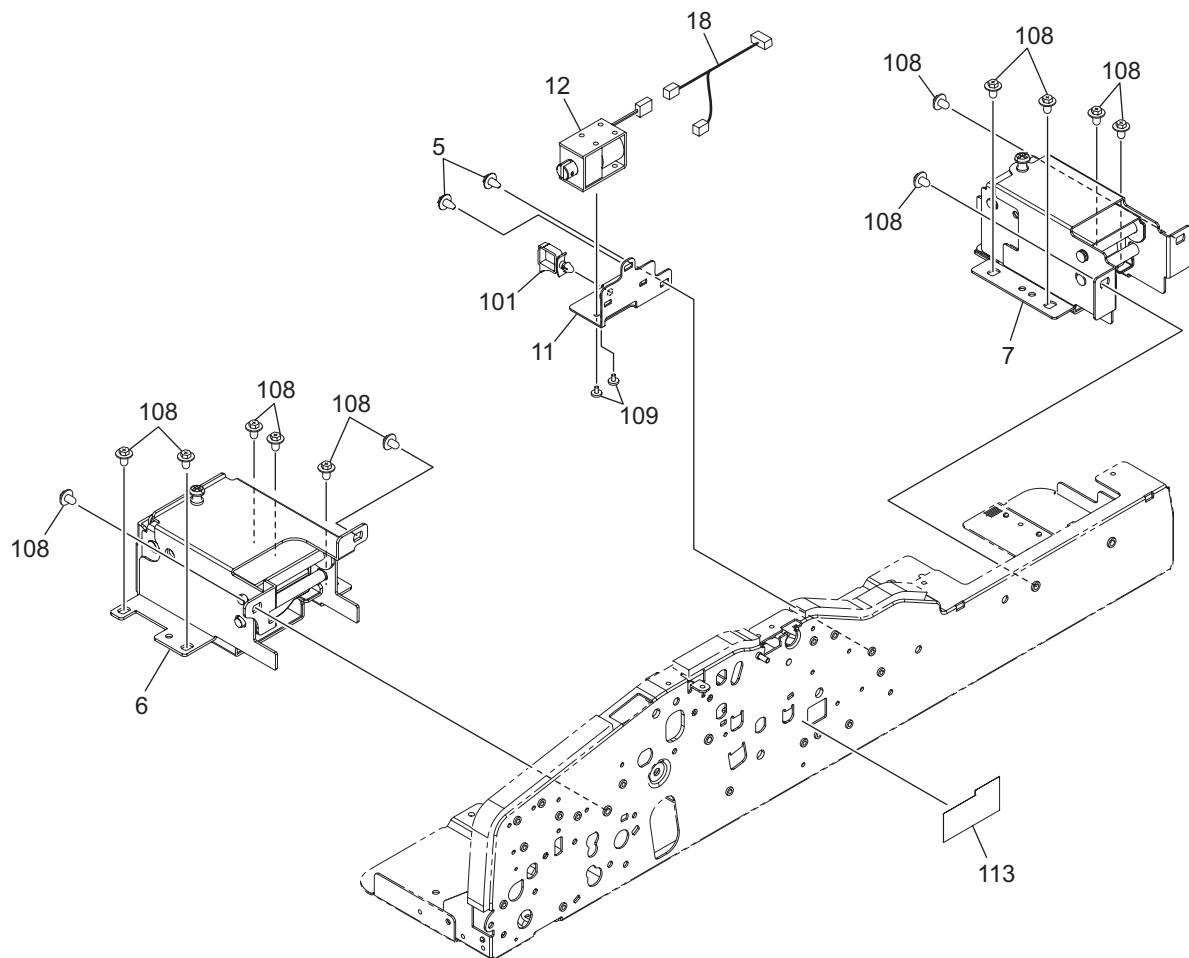
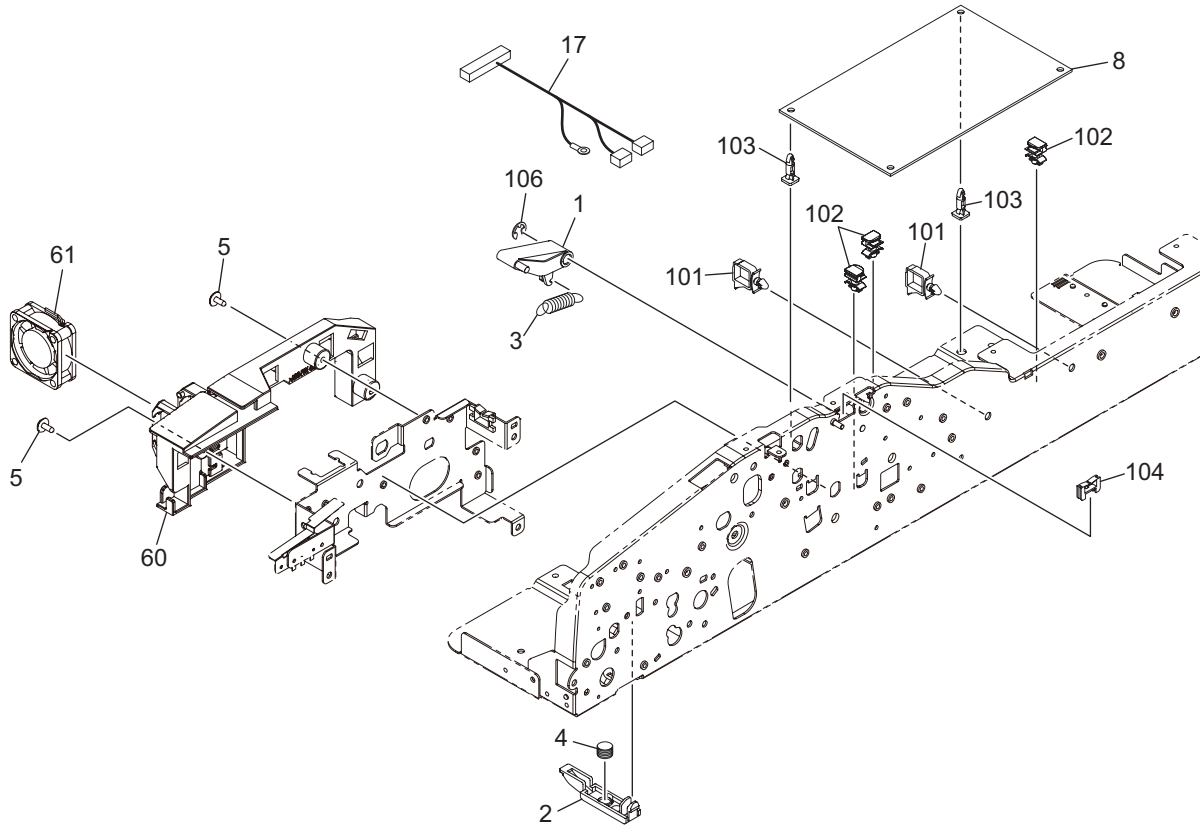


ITEM No.	PART No.	PART NAME	Q'TY / PAGE	Q'TY / PACK	REMARKS
1	6LK71704100	ASYS-GID-FED-U_SAN	1	1/PP	
2	6LK69818000	PULLY-1R5GT26-6_H617	1	1/P	
3	6LK69817000	HOLD-ROL-PICK-STOP-S_H617	1	1/P	
4	6LK71700000	ASYB-PLATE-LVR-PICK	1	1/P	
5	6LE49743000	STOP-RING-6-5-POM	2	5/P	
6	X0-00966000	RR/E-5-SS	4	10/P	
7	6LK70324000	SFT-FEED-PIC_H617-PBF1	1	1/P	
8	6LE50336000	ROL-TNSN-PICK	1	1/P	
9	6LK69861000	PULLY-1R5GT26-6_H617_2	1	1/P	
10	6LK69816000	HOLD-ROL-PICK-S_H617	1	1/P	
11	6LE50345000	BELT-141-1R5GT-4	1	1/P	
12	6LB12168100	PIN-2X10-PBF2	3	10/P	
13	6LE50297000	ASYS-ROL-FEED	2	1/P	
14	6LK69831000	CPG-FEED-DRVN	1	1/P	
15	6LH53768000	BUSH-6-NU4	3	1/P	
17	6LE50342000	SPG-E-PICKUP	1	1/P	
18	6LK69866000	SPG-HLDR-PICK	1	1/P	
20	6LK71701000	SFT-FEED-ROL_H617_N	1	1/P	
21	6LK69827000	LVR-STOPPER-R_H617-A	1	1/P	
22	6LK71708100	ASYS-FRAME-FEED-U-H617N2	1	1/P	
23	6LK69814100	LVR-STOPPER-F_H617-P	1	1/P	
24	6LE50375000	STPR-PICK-F	1	1/P	
25	6LK71632100	ARM-STOPPER-SP2_P	2	1/P	
26	X0-00964000	RR/E-3-SS	5	10/P	
27	6LK71672000	STPR-PICK-R	1	1/P	
28	6LJ67419000	SCREW-HANDLE-B	1	1/P	
29	6LJ67414000	BRKT-FEED-DTCH	1	1/P	
30	6LK69841000	STAY-FEED-UP_H617	1	1/P	
31	6LA08935000	SCR-M3X6BISR-NI	4	10/P	
32	6LE49504000	HRNS-RUBY-FEED2-623	1	1/P	
33	C0-23083000	GP1A173LCS5F	2	1/P	
34	6LK71685000	COV-FEED-U	1	1/PP	
35	X0-02247000	S/TPP/FHEXM-3X8-NI	1	10/P	
36	6LK69896000	LABEL-INST-H617	1	1/P	
37	6LK71710000	BUSH-6X10X6F-POM-N	1	1/P	

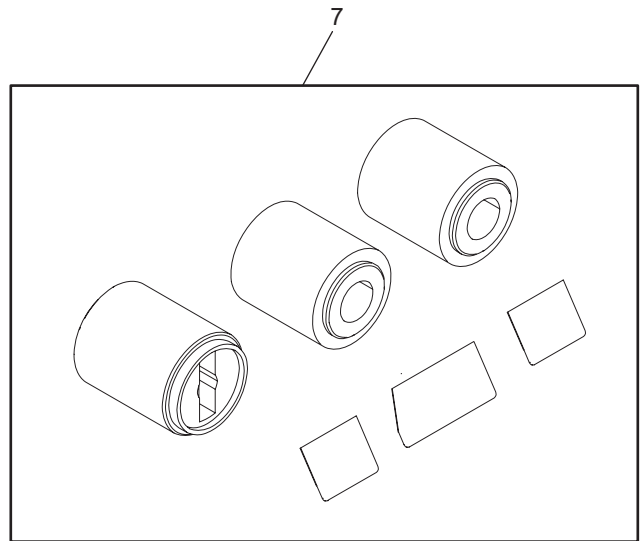
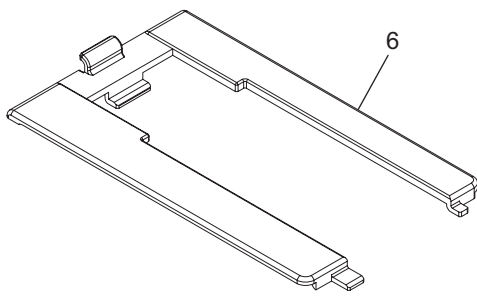
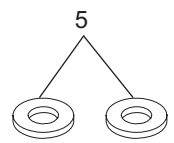
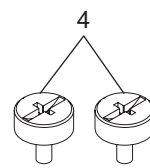
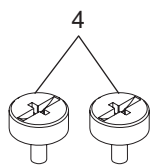
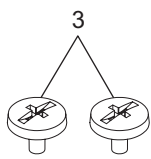
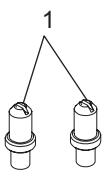


ITEM No.	PART No.	PART NAME	Q'TY / PAGE	Q'TY / PACK	REMARKS
1	6LK69806000	BRKT-ROL-FEED-AD_H617	1	1/P	
2	6LE50098100	ROL-TNSN-FEED_P	1	1/P	
3	6LK56912000	SPG-F-COV-JAM-SW-N	1	1/P	
4	E0-16821000	AV3805G3	1	1/P	
7	F0-00045000	EDS-1	1	10/P	
8	6LL36913000	HRNS-RADF-FEED1-H662	1	1/P	
9	44204394000	SCREW20*D23	1	10/P	
10	6LE59774100	PLT-MOT-FEED-H617	1	1/P	
11	6LL36909000	MOTRS-RADF-FEED-H662	1	1/C	
12	6LJ67526000	SPG-E-8X0R9X24R5	1	1/P	
13	6LE59775000	PLT-MOT-REED-643	1	1/P	
14	6LL36910000	MOTRS-RADF-READ-H662	1	1/C	
15	6LE59800300	PLT-MOT-EXIT-H576M	1	1/P	
16	6LL36908000	MOTRS-RADF-EXIT-H662	1	1/C	
17	6LA08935000	SCR-M3X6BISR-NI	12	10/P	
18	F0-02142000	LF-1260ZZRP0P25LY551	2	1/P	
19	6LE59633000	PULLY-1R5GT40-6-SCW	2	1/P	
21	6LJ67481000	BELT-207-1R5GT-6	1	1/P	
22	6LJ67482000	BELT-150-1R5GT-8	1	1/P	
23	4401941910	BUSH-0610*95N-P	2	5/P	
24	6LL48435000	PULLY-1R5GT46-6	1	1/P	
25	6LJ67467000	BELT-109_5-1R5GT-6	1	1/P	
26	6LE49854000	PULLY-1R5GT40-6-W	1	1/P	
27	6LH57699000	PULLY-1R5GT40-6-RD-O	1	1/P	
28	6LJ67468000	BELT-292_5-1R5GT-6	1	1/P	
29	6LE49810400	DIAL-RD-JAM-GRSG_S	1	1/P	
30	6LE50169000	SPG-E-MOT-READ	1	1/P	
33	6LE59794000	BRKT-ROL-READ-M	1	1/P	
34	6LE50110100	ASYS-PLT-TNSN2	1	1/P	
35	6LL36907000	HRNS-RADF-MOT-H662	1	1/P	
36	6LE50134000	SPG-E-TNSN-READ	1	1/P	
38	6LJ67472000	PULLY-1R5GT41-8	1	1/P	
39	6LH53768000	BUSH-6-NU4	5	1/P	
40	6LA65698000	BUSH-8X12X8F	3	5/P	
41	6LE49743000	STOP-RING-6-5-POM	6	5/P	
42	6LE49741000	BUSH-6X10X6F-POM	7	5/P	
43	6LK69851000	ASYS-PULLY-1R5GT38-6	1	1/P	
45	6LK69854100	ASYS-CPG-FEED-H617N	1	1/P	
46	6LJ67536100	BRKT-ROL-ALNG-S20	1	1/P	
47	X0-02419000	S/TPS/FHEXM/R-3X6-ZU3	2	10/P	
49	6LK69842000	GEAR-8H16_N	1	1/P	
50	6LK69839000	CPG-GEAR-PIN	1	1/P	
53	6LK71662000	MYLAR-GUIDE-HRN	1	1/P	
54	6LA08935000	SCR-M3X6BISR-NI	6	10/P	
55	6LE50098100	ROL-TNSN-FEED_P	1	1/P	
101	X0-00966000	RR/E-5-SS	6	10/P	
102	6LB12168100	PIN-2X10-PBF2	4	10/P	
104	F0-01493000	DS-02S	2	5/P	
105	X0-00426000	S/BID-M3X4-NI	4	10/P	
108	X0-00968000	RR/E-7-SS	3	10/P	
109	X0-00074000	S/PAN-M3X8-NI	3	10/P	
111	6LJ67474000	CLUTCH-8-R	1	1/P	





ITEM No.	PART No.	PART NAME	Q'TY / PAGE	Q'TY / PACK	REMARKS
1	6LK7960000	LEVER-PICK-SOL_S20	1	1/P	
2	6LE59928200	CAP-APS-R-280-LG_S	1	1/P	
3	6LK69888000	SPG-E-PICK-SOL-H617	1	1/P	
4	6LE49758000	SPG-C-CAP-APS-R	1	5/P	
5	6LA08935000	SCR-M3X6BISR-NI	4	10/P	
6	6LK56846000	HINGE-L-H617	1	1/C	
7	6LK56847000	HINGE-R-H617	1	1/C	
8	6LL36956000	ASYB-DLG-H662	1	1/SB	
11	6LL48410000	PLT-SOL-PICK-S20	1	1/P	
12	6LE49521000	SOL-RUBY-PICKUP-623	1	1/D	
17	6LL36914000	HRNS-RADF-SCIF-H662	1	1/P	
18	6LL36912000	HRNS-ADF-SOL-H662	1	1/P	
60	6LK56903000	GUIDE-HNS-RADF-S20	1	1/P	
61	6LL36911000	FAND-4015-H662	1	1/D	
101	F0-01811000	LWS-0711S-V0	3	5/P	
102	F0-01427000	ELS-8U	3	5/P	
103	F0-00229000	KGLS-8RT	2	5/P	
104	F0-01492000	DS-2	1	5/P	
106	X0-00966000	RR/E-5-SS	1	10/P	
108	X0-02408000	S/TPS/FHEX/R-4X6-ZU3	13	10/P	
109	X0-00426000	S/BID-M3X4-NI	2	10/P	
113	6LE59867000	SEAL-DF-FRM-R2	1	1/P	



ITEM No.	PART No.	PART NAME	Q'TY / PAGE	Q'TY / PACK	REMARKS
1	6LE50499000	SFT-PA-PIN-R	2	1/P	
3	6LK54179000	SCR-HINGE-CTR	2	5/P	
4	6LK54180000	SCR-HINGE-F	4	5/P	
5	X0-00946000	W/PL/PJO-6-SS	2	10/P	
6	6LK69882000	COV-TP-HINGE-H370R	1	1/P	
7	6LK71637000	DF-KIT-3031	1	1/S	



**TOSHIBA**

**Toshiba Tec Corporation**

1-11-1, OSAKI, SHINAGAWA-KU, TOKYO, 141-8562, JAPAN