

**TOSHIBA**

# **SERVICE PARTS LIST**

**Reversing Automatic Document Feeder**

# **MR-3027**

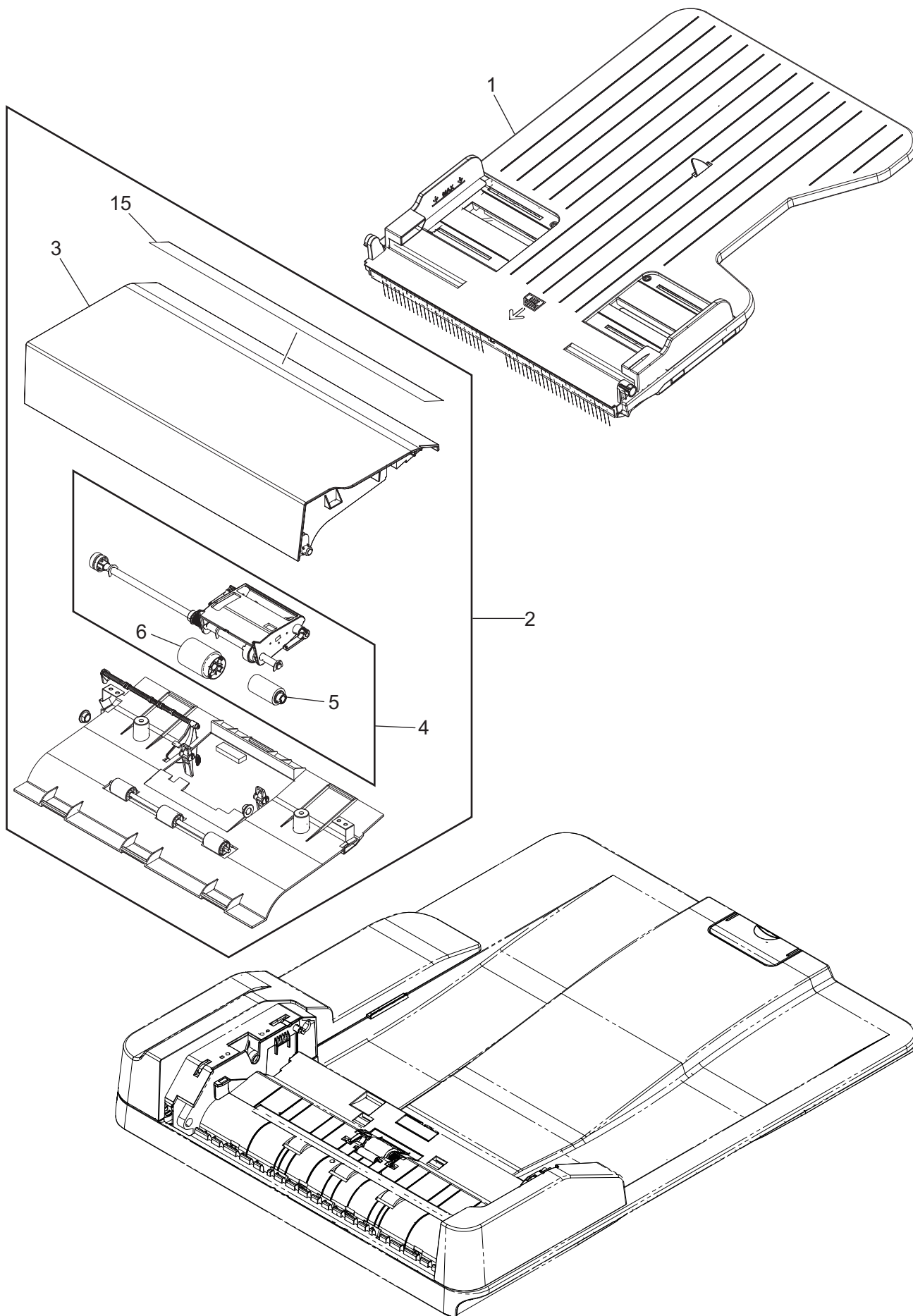
© 2013 TOSHIBA TEC CORPORATION All rights reserved

Under the copyright laws, this manual cannot be reproduced in any form without prior written permission of TOSHIBA TEC CORPORATION. No patent liability is assumed, however, with respect to the use of the information contained herein.

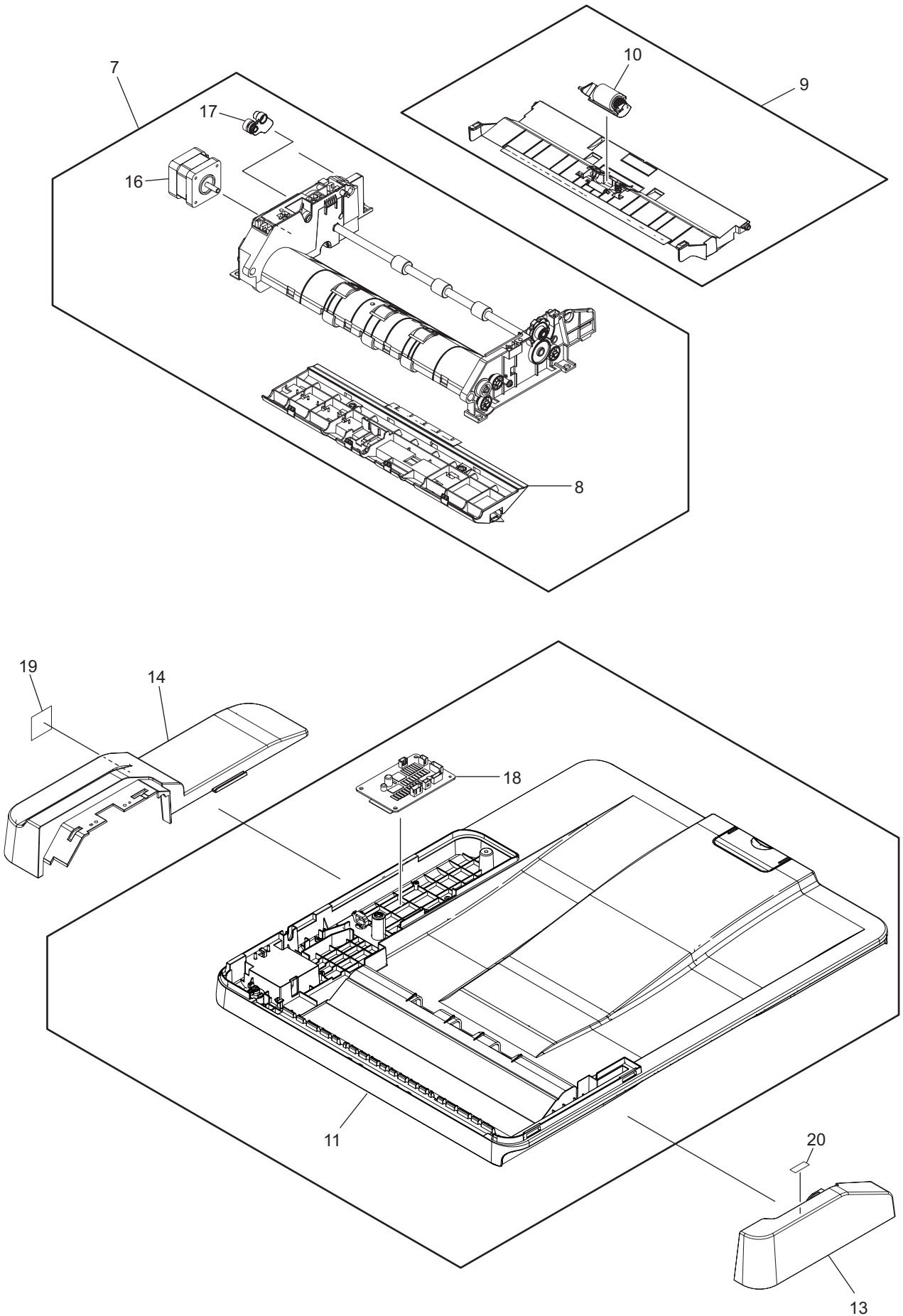
# CONTENTS

RADF-1 .....	1
RADF-2 .....	2





ITEM No.	PART No.	PART NAME	Q'TY / PAGE	Q'TY / PACK	REMARKS
1	6LJ80639000	TRAY_DOC_ASSY_D	1	1/PP	
2	6LJ80651000	COVER_ADF_ASSY_D	1	1/C	
4	6LJ80609000	ROLLER_PICK_UP_ASSY	1	1/PP	
5	6LJ80576000	PICK_UP_ROLLER_ASSY	1	1/P	
6	6LJ80575000	ADF_ROLLER_ASSY	1	1/P	
15	6LJ80650000	LABEL_INDEX	1	1/P	



ITEM No.	PART No.	PART NAME	Q'TY / PAGE	Q'TY / PACK	REMARKS
7	6LJ80640000	FRAME_ADF_ASSY_D	1	1/C	
8	6LJ80649000	FRAME_LOWER_ASSY_D	1	1/C	
9	6LJ80616000	GUIDE_ADF_ASSY	1	1/PP	
10	6LJ80615000	SP_PAD_ASSY	1	1/P	
11	6LJ80641000	COVER_SDH_ASSY_D	1	1/C	
13	6LJ80520000	COVER_REAR	1	1/PP	
14	6LJ80519000	COVER_FRONT	1	1/PP	
16	6LJ80611000	STEPPING_MOTOR	1	1/C	
17	6LJ80613000	ARM_START_ASSY	1	1/P	
18	6LJ80619000	MOTOR_DRIVER_BOARD	1	1/SB	
19	6LJ80580000	LABEL-CAU-ADF	1	1/P	
20	6LJ80648000	LABEL_AROW	1	1/P	





**TOSHIBA**

**TOSHIBA TEC CORPORATION**

1-11-1, OSAKI, SHINAGAWA-KU, TOKYO, 141-8562, JAPAN