

TOSHIBA

SERVICE PARTS LIST

External Large Capacity Feeder

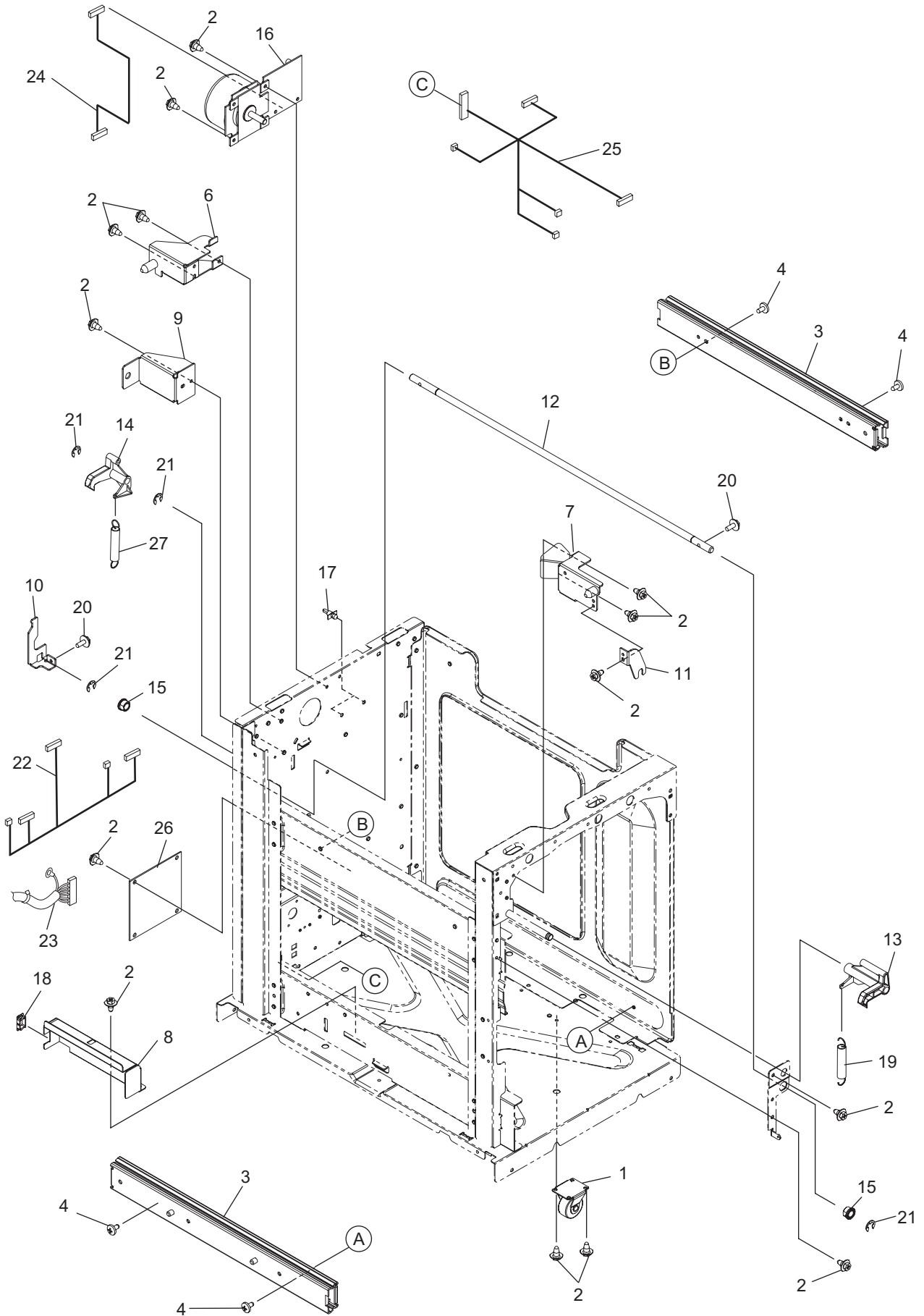
MP-2502

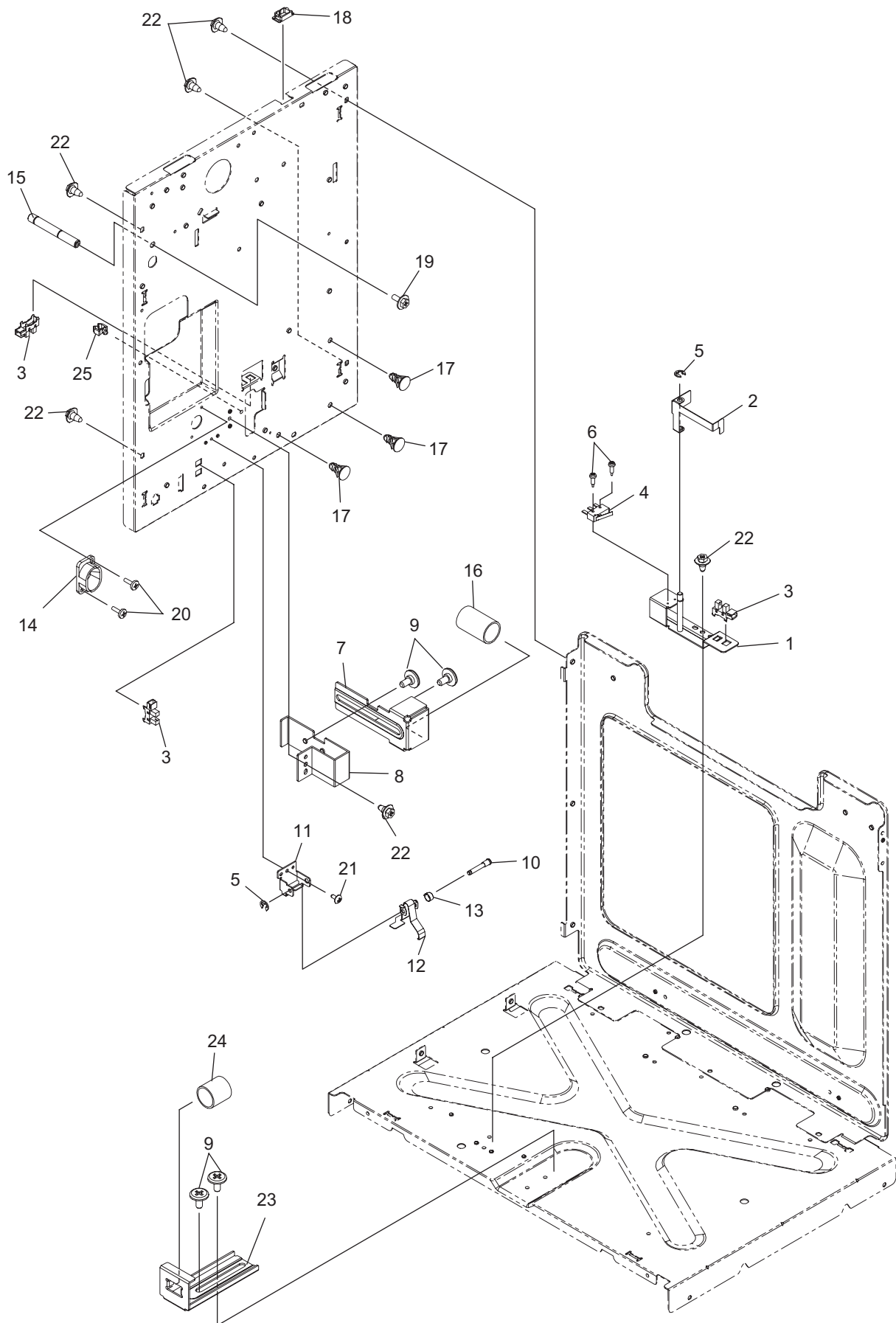
© 2016 TOSHIBA TEC CORPORATION All rights reserved

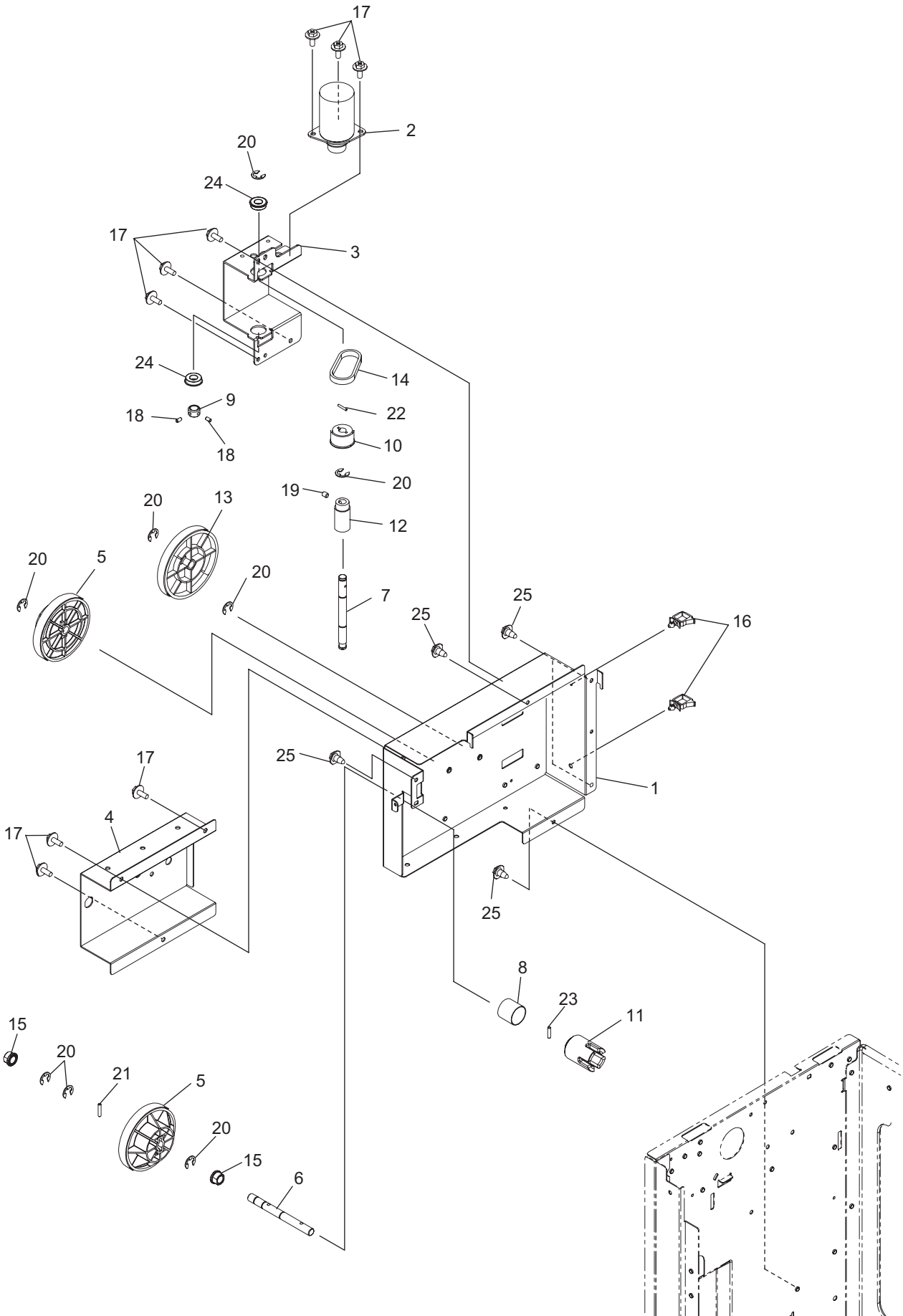
Under the copyright laws, this manual cannot be reproduced in any form without prior written permission of TOSHIBA TEC CORPORATION. No patent liability is assumed, however, with respect to the use of the information contained herein.

CONTENTS

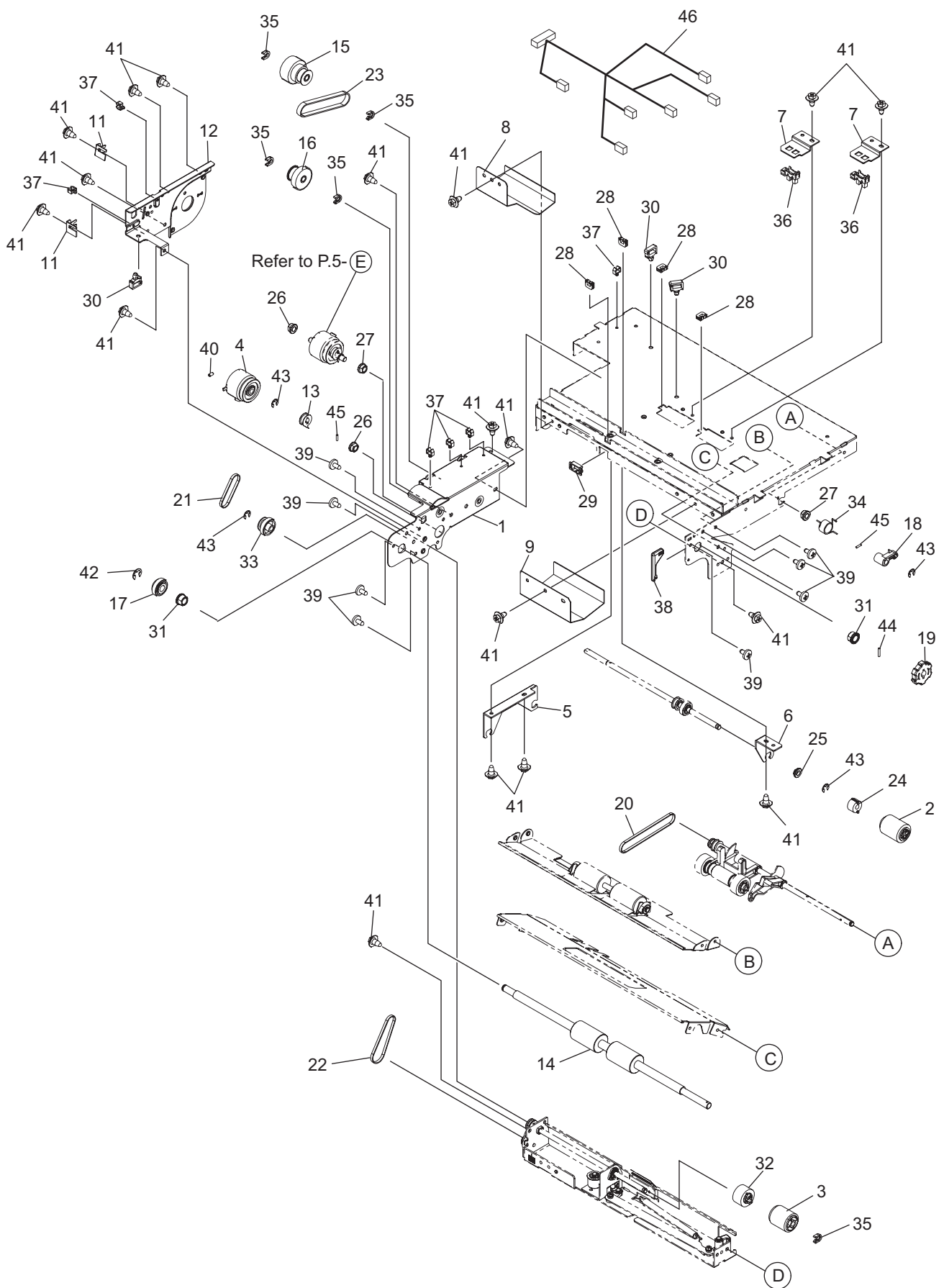
FRAME-1-ASM	1
FRAME-2-ASM	2
TRAY-DRIVE-ASM	3
PAPER-FEED-1-ASM	4
PAPER-FEED-2-ASM	5
CST-FRAME-ASM	6
CST-TRAY-ASM	7
COVER-ASM	8
ATTACH-ASM	9
ROL-KIT	10



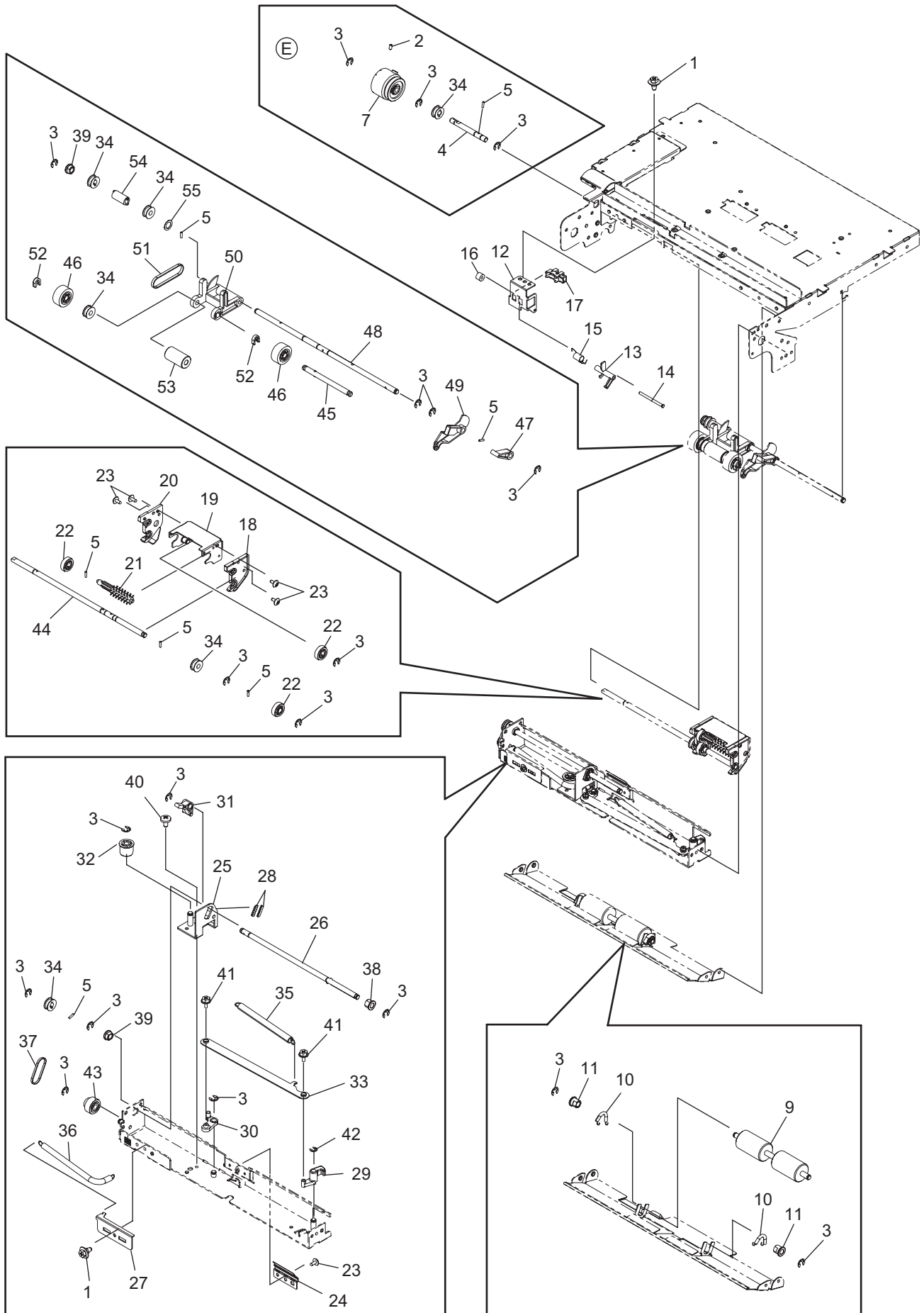




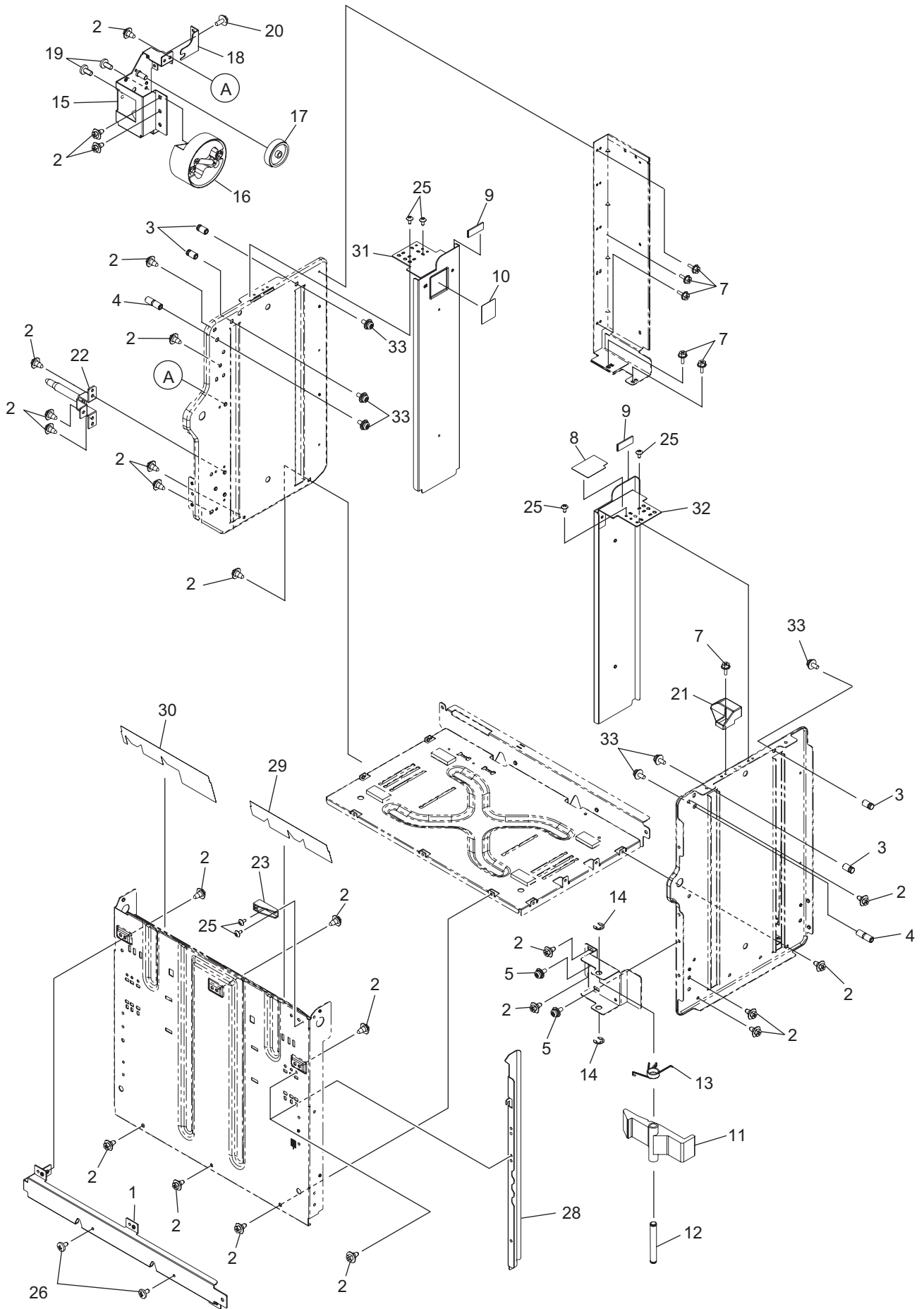
ITEM No.	PART No.	PART NAME	Q'TY / PAGE	Q'TY / PACK	REMARKS
1	6LH06164000	ASYS-BASE-DRV-TRAY-F677	1	1/P	SWITCH
2	6LE07848000	ASYS-MOTR-TRAY-605	1	1/C	
3	6LE07895000	BRKT-DRIVE-1	1	1/P	
4	6LH06134000	BRKT-TRAY-GEAR-F677	1	1/P	
5	6LA10776000	GEAR-TRAY-UP	2	1/P	
6	6LA10775000	SFT-TRAY-GEAR	1	1/P	
7	6LH06253000	SHAFT-WORM-LCF	1	1/P	
8	6LA10489000	SPRING-CPG-TRAY	1	5/P	
9	6LE07815000	STOPPER-WORM-LCF	1	1/P	
10	4401908170	PLY/T-3GT-22	1	1/P	
11	6LH06290000	COUPLING-LCF	1	1/P	
12	6LH71941000	WORM-1.0-16-EX	1	1/P	
13	6LH71958000	WORM-WHEEL-74	1	1/P	
14	4401908140	BLT/T-3GT123-60	1	1/P	
15	6LA65698000	BUSH-8X12X8F	2	5/P	
16	F0-01243000	LWS-1211Z	2	5/P	
17	X0-02589000	S/TPD3/FHEXM-4X8-ZU3	9	10/P	
18	X0-00730000	S/SET/K-M3X4-B	2	10/P	
19	X0-00734000	S/SET/K-M4X4-B	1	10/P	
20	X0-00968000	RR/E-7-SS	8	10/P	
21	X0-01169000	P/PRL/AH7-3X14-SS	1	10/P	
22	X0-01526000	P/PRL/AH7-2X12-SS	1	10/P	
23	X0-01535000	P/PRL/AH7-3X12-SS	1	5/P	
24	F0-01390000	LNR-1680HHRP0P15LY13	2	1/P	
25	6LA08934000	SCR-M4X8ITSR-NI	4	10/P	



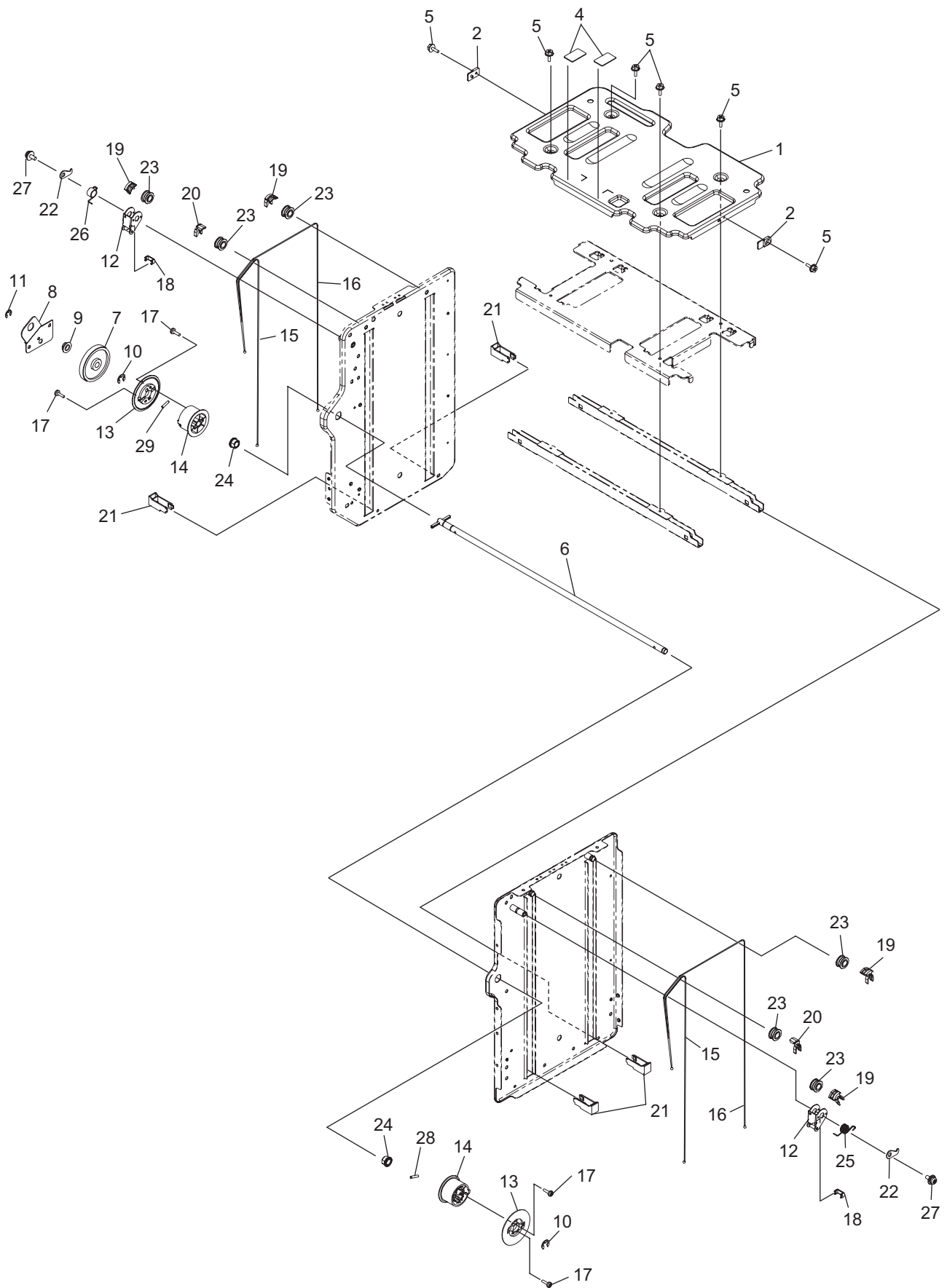
ITEM No.	PART No.	PART NAME	Q'TY / PAGE	Q'TY / PACK	REMARKS
1	6LH06111000	ASYS-PLT-DRV-FEED-F677	1	1/P	
2	6LA04047000	ASYS-ROL-FEED	1	1/P	
3	6LA10749000	ASYS-ROL-SPT-LCF	1	1/P	
4	4401969940	ASM-CLT-G28-CC6	1	1/D	
5	6LA10517000	BKT-ROL-FED-LCF	1	1/P	
6	6LE07842000	BRKT-ROL-FEED-605	1	1/P	
7	6LK43207000	BRKT-SENS-FEED	2	1/P	
8	6LA10516000	GUIDE-FEED-L-R	1	1/P	
9	6LA10515000	GUIDE-FEED-LCF	1	1/P	
11	6LH06175000	PLT-CLT-LCF-F677	2	1/P	
12	6LH06177000	PLT-DRV-MTR-OUT-F677	1	1/P	
13	4400884670	PLY-20-ROL	1	1/P	
14	6LJ08213000	ROL-TRANS-LCF	1	1/KP	
15	6LE07878000	GEAR-05H57-P2M26-6	1	1/P	
16	6LE07879000	GEAR-10H27-PS2M26-6	1	1/P	
17	6LA10529000	GEAR-10S020-08	1	1/P	
18	6LA10554000	LEV-PICK-ROL	1	1/P	
19	6LE07862100	HANDLE-TR-LCF_S	1	1/P	
20	4401771980	BELT-106096-2.5	1	1/P	
21	6LH06119000	BLT-T-98-2GT	1	1/P	
22	6LA10547000	BLT/T-138-2GT	1	1/P	
23	6LE07877000	BLT-T-188-2GT-6	1	1/P	
24	4402833100	CLUTCH-6-R	1	1/P	
25	44201994000	BUSH-6-3.7-GCB	1	5/P	
26	4407734980	BUSH-6-GCB	2	5/P	
27	44201492000	BUSH-6-POM	2	5/P	
28	F0-00120000	ES-0505	4	5/P	
29	F0-01248000	ESC-0912	1	10/P	
30	F0-00235000	LWS-1S	3	5/P	
31	6LA65698000	BUSH-8X12X8F	2	5/P	
32	6LH06077000	TL-SEP-ROL-Y-46	1	1/P	
33	6LA10537000	PG-G20-P20	1	1/P	
34	6LA10555000	SPR-LEV-PICK	1	5/P	
35	4407972860	STOP-RING-6-5	5	5/P	
36	C0-20487000	GP1A173LCS3F	2	1/P	
37	F0-00044000	UAMS-05-2	6	5/P	
38	6LA10685000	CAP-FRAME-FEED	1	1/P	
39	6LE07894000	S/TPS/BID/R-4*7-ZN3	8	5/P	
40	X0-00730000	S/SET/K-M3X4-B	1	10/P	
41	6LA08934000	SCR-M4X8ITSR-NI	18	10/P	
42	X0-00968000	RR/E-7-SS	1	10/P	
43	X0-00966000	RR/E-5-SS	4	10/P	
44	X0-01526000	P/PRL/AH7-2X12-SS	1	10/P	
45	X0-00979000	P/PRL/AH7-2X8-SS	2	10/P	
46	6LH09572000	HRNS-LCF-UP-677	1	1/P	



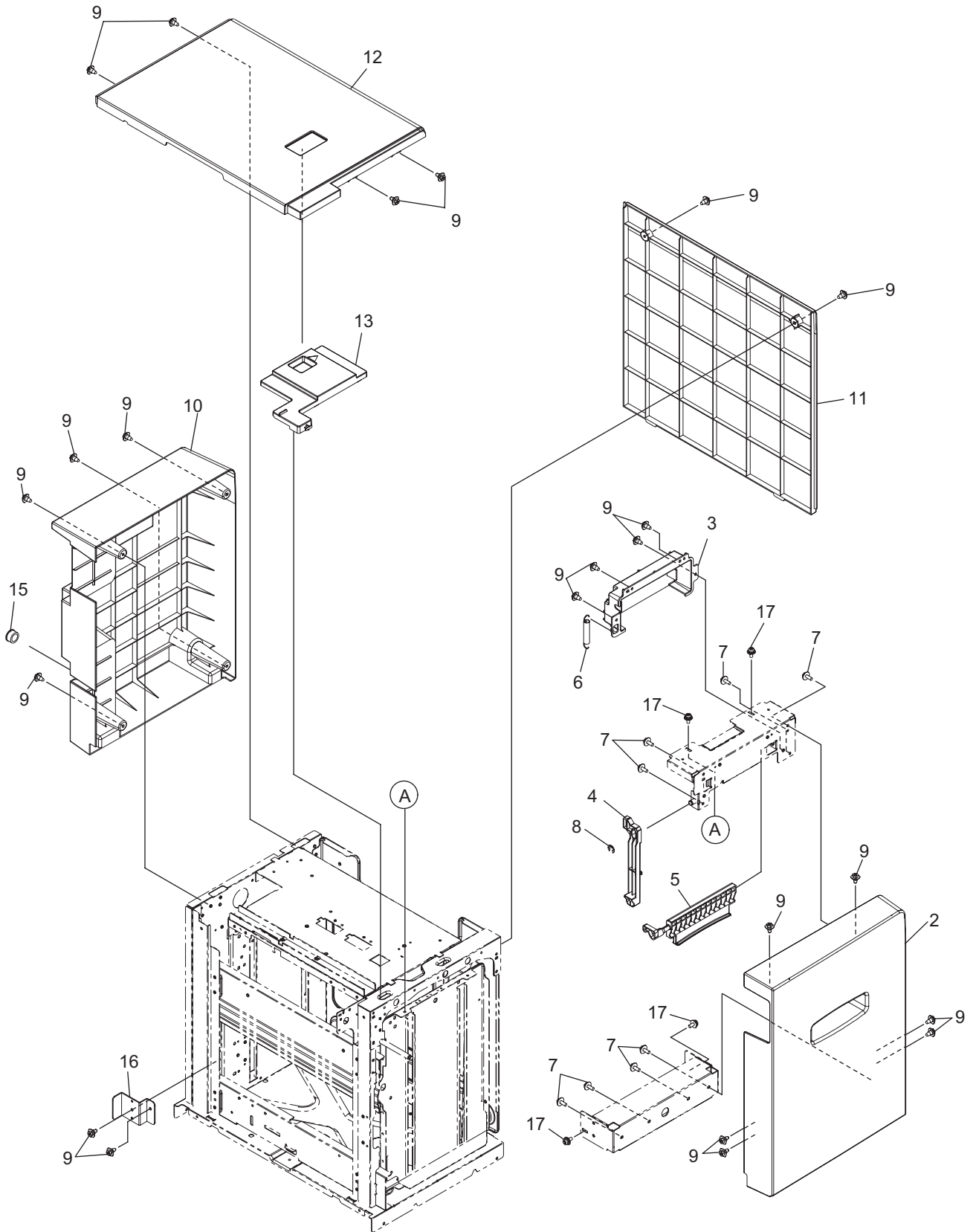
ITEM No.	PART No.	PART NAME	Q'TY / PAGE	Q'TY / PACK	REMARKS
1	6LA08934000	SCR-M4X8ITSR-NI	2	10/P	
2	X0-00730000	S/SET/K-M3X4-B	1	10/P	
3	X0-00966000	RR/E-5-SS	19	10/P	
4	6LA10666000	SHAFT-CLT-F-LCF	1	1/P	
5	X0-00979000	P/PRL/AH7-2X8-SS	7	10/P	
7	4401969940	ASM-CLT-G28-CC6	1	1/D	
9	6LE05723000	ROLLER-IDLE-390	1	1/P	
10	6LA05687000	SPRING-500-ADU	2	1/P	
11	4407976990	BUSH-D6-GCB	2	1/P	
12	6LH06132000	BRKT-SENS-LCF-F677	1	1/P	
13	6LH06101000	ACTU-SEN-LCF-F677	1	1/P	
14	6LA10512000	PIN-SENS-LCF	1	5/P	
15	6LA10539000	SPRING-ACTR	1	5/P	
16	6LA05676000	CUSH-ACTR-STOP	1	5/P	
17	C0-20487000	GP1A173LCS3F	1	1/P	
18	6LA10323000	HLD-BRUSH-FEED-F	1	1/P	
19	6LE07868000	ASYS-STAY-HLD-605	1	1/P	
20	6LA10322000	HLD-BRUSH-FEED-R	1	1/P	
21	6LA10727000	ROL-BRUSH	1	1/C	
22	6LA10728000	GEAR-06S-027-06	3	5/P	
23	6LA08935000	SCR-M3X6BISR-NI	5	10/P	
24	6LH06231000	ASYS-MYLAR-SEP-F677	1	1/C	
25	6LA10965000	ASYS-BRKT-SEP-R	1	1/P	
26	6LA10365000	ASYS-SFT-SEP	1	1/P	
27	6LH06174000	PLT-ADJ-SEP-SPG-F677	1	1/P	
28	6LA10684000	BRKT-SLIDE-SPT-LCF	2	5/P	
29	6LA10505000	LEV-OPEN-SEP-F	1	1/P	
30	6LA10991000	LEV-OPEN-SEP-R	1	1/P	
31	6LA10979000	LEV-ROL-SEP	1	1/P	
32	6LA10968000	PULLY-SEP	1	1/P	
33	6LA10992000	LINK-OPEN-SEP	1	1/P	
34	4400884670	PLY-20-ROL	6	1/P	
35	6LA10788000	SPE080-100-0763	1	5/P	
36	6LH06182000	SPG-LINK-RLR-F677	1	1/P	
37	4402481810	BLT/T-080-2GT-3	1	1/P	
38	6LA10779000	BUSH-F6-GCB	1	5/P	
39	4407734980	BUSH-6-GCB	2	5/P	
40	6LE07894000	S/TPS/BID/R-4*7-ZN3	1	5/P	
41	X0-02246000	S/TPP/FHEXM-3X6-NI	2	10/P	
42	X0-00965000	RR/E-4-SS	1	10/P	
43	6LA10549000	PP2GT030/2GT020	1	1/P	
44	6LK43210000	SHAFT-FED-LCF-N	1	1/P	
45	6LK43213000	ASYS-SFT-ROL-PICK	1	1/P	
46	6LA10352000	ASYS-ROL-PICK-L	2	1/P	
47	4402209650	LEV-ACT-EMP-L	1	1/P	
48	6LH06076000	SHAFT-PICK-LCF-S-F677	1	1/P	
49	6LA10514000	ACT-ENP-LCF	1	1/P	
50	6LK43211000	ARM-PICK-L	1	1/P	
51	4402209840	BELT-106057-2.5	1	1/P	
52	4407972860	STOP-RING-6-5	2	5/P	
53	6LE07911000	WEIGHT-PICK-UP-605	1	1/P	
54	6LK43214000	JOINT-D6-L20	1	1/P	
55	6LA78908000	WASHER-6R2X9R5XR25-PL	1	5/P	



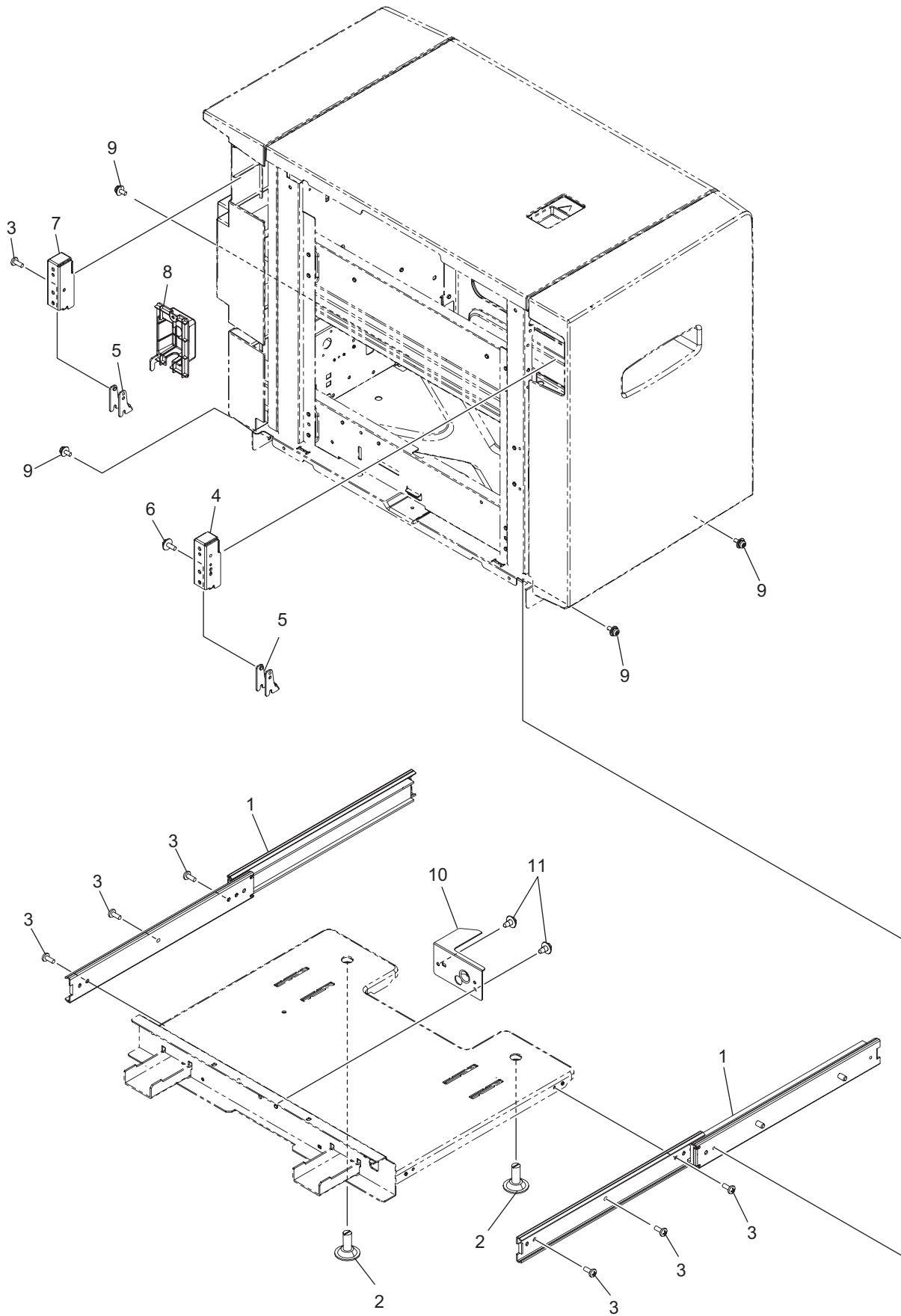
ITEM No.	PART No.	PART NAME	Q'TY / PAGE	Q'TY / PACK	REMARKS
1	6LA10593000	GUIDE-RAIL-L	1	1/P	
2	6LA08934000	SCR-M4X8ITSR-NI	25	10/P	
3	6LH06268000	STUD-PLY-1-F677	4	1/P	
4	6LH06192000	STUD-PLY-TENSION-F677	2	1/P	
5	X0-00164000	S/PAN/SWWP-M4X8-NI	6	10/P	
7	X0-02593000	S/TPD3/FHEXM-3X8-ZU3	6	10/P	
8	6LK43203000	LBL-INFO-P-SUPPLY-H38X	1	5/P	
9	6LA14545000	MYLR-GUIDE-SIDE	2	5/KP	
10	6LK43204000	LBL-LIMIT-O-LCF-H38X	1	1/P	
11	6LH06163000	HOOK-CST-HLD-F677	1	1/P	
12	6LH06172000	PIN-LOCK-CST-F677	1	1/P	
13	6LH06183000	SPG-LOCK-CST-F677	1	1/P	
14	X0-00968000	RR/E-7-SS	2	10/P	
15	6LA10642000	K-BRKT-BRAKE	1	1/P	
16	6LA10641000	BRAKE	1	1/D	
17	6LA10646000	GEAR-10S035-06	1	1/P	
18	6LA10648000	BRKT-BRAKE-SPRT	1	1/P	
19	X0-00451000	S/BID-M4X8-NI	2	10/P	
20	X0-02589000	S/TPD3/FHEXM-4X8-ZU3	1	10/P	
21	6LA10630000	GUIDE-LEV-PICK	1	1/P	
22	6LA10587000	K-BRKT-POS-CST	1	1/P	
23	6LA10570000	LVR-SEP-RELEASE	1	1/P	
25	6LA08935000	SCR-M3X6BISR-NI	6	10/P	
26	6LE07894000	S/TPS/BID/R-4*7-ZN3	2	5/P	
28	6LK43209000	GUIDE-SIDE-SUB-F-F677	1	1/D	
29	6LH06169000	MYLAR-F-MID-F-S-F677	1	1/KP	
30	6LH06170000	MYLAR-F-MID-R-S-F677	1	1/KP	
31	6LH06209100	ASYS-GUIDE-SD-R-S-H38X	1	1/D	
32	6LH06210100	ASYS-GUIDE-SD-F-S-H38X	1	1/D	
33	6LH06075000	SCREW-PITAK-M4X8-P3	6	5/P	

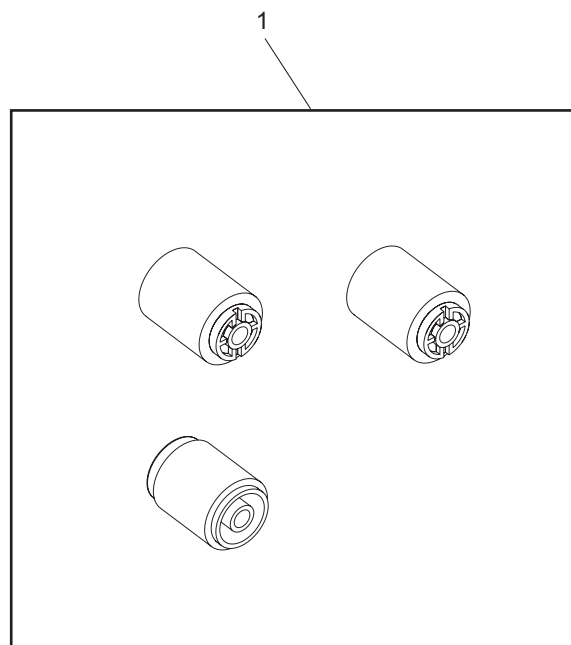


ITEM No.	PART No.	PART NAME	Q'TY / PAGE	Q'TY / PACK	REMARKS
1	6LH06193000	TRAY-LCF-S-F677	1	1/P	
2	4401907530	GUIDE-TRAY	2	1/P	
4	6LA10974000	BRAKE-PAD-CORK	2	5/P	
5	X0-02593000	S/TPD3/FHEXM-3X8-ZU3	6	10/P	
6	6LE07837000	ASYS-SHAFT-TRAY-LCF	1	1/KP	
7	6LA10530000	GEAR-10S052-08	1	1/P	
8	6LA10649000	BRKT-BRAKE-REINF	1	1/P	
9	6LA10655000	BUSH-SHAFT-TRAY	1	1/P	
10	X0-00968000	RR/E-7-SS	2	10/P	
11	X0-00967000	RR/E-6-SS	1	10/P	
12	6LA10789000	ASYS-ARM-TENSION	2	1/P	
13	4408860930	FLANGE-ROL-GEAR	2	1/P	
14	6LA10604000	ROL-TRAY	2	1/P	
15	6LJ08211000	WIRE-ROPE-LCF-S-S-F677	2	1/P	
16	6LJ08210000	WIRE-ROPE-LCF-L-S-F677	2	1/P	
17	X0-00602000	S/TPP/PAN-3X8-NI	4	10/P	
18	6LA10795000	CLIP-TENSION	2	5/P	
19	4401908040	GUIDE-ROPE-ELV	4	1/P	
20	4402482650	GUIDE-ROPE-LCF	2	1/P	
21	6LA10985000	GUIDE-TRAY-SEN	4	1/P	
22	6LA10793000	PLATE-STOPPER-SP	2	1/P	
23	4401907960	PULLEY-LCF	6	1/P	
24	6LA65698000	BUSH-8X12X8F	2	5/P	
25	6LA10798000	SPA-TENSION-LCF-F	1	1/P	
26	6LA10799000	SPA-TENSION-LCF-R	1	1/P	
27	X0-00164000	S/PAN/SWWP-M4X8-NI	2	10/P	
28	X0-01169000	P/PRL/AH7-3X14-SS	1	10/P	
29	X0-01535000	P/PRL/AH7-3X12-SS	1	5/P	



ITEM No.	PART No.	PART NAME	Q'TY / PAGE	Q'TY / PACK	REMARKS
2	6LH06136100	COV-FRONT-LCF-H38X	1	1/PP	
3	6LH06141100	COVER-INNER-H38X	1	1/P	
4	6LH06179000	ROD-LEVER-F677	1	1/P	
5	6LH06165100	LEV-CST-OPEN-M-H38X	1	1/PP	
6	6LA10676000	SPE-LOD	1	5/P	
7	X0-02251000	S/TTP/FHEXM-4X8-NI	8	10/P	
8	X0-00968000	RR/E-7-SS	1	10/P	
9	6LA08934000	SCR-M4X8ITSR-NI	22	10/P	
10	6LH06137100	COV-REAR-LCF-H38X	1	1/PP	
11	6LH06138100	COV-SIDE-LCF-H38X	1	1/PP	
12	6LH06139100	COV-TOP-LCF-H38X	1	1/PP	
13	6LH06167100	LEVER-TOP-LCF-H38X	1	1/P	
15	F0-00373000	OCB-750	1	10/P	
16	6LH06247000	BRKT-STOP-CST-F677	1	1/P	
17	X0-00164000	S/PAN/SWWP-M4X8-NI	4	10/P	





TOSHIBA

TOSHIBA TEC CORPORATION

1-11-1, OSAKI, SHINAGAWA-KU, TOKYO, 141-8562, JAPAN