

TOSHIBA

SERVICE PARTS LIST

Hole Punch Unit

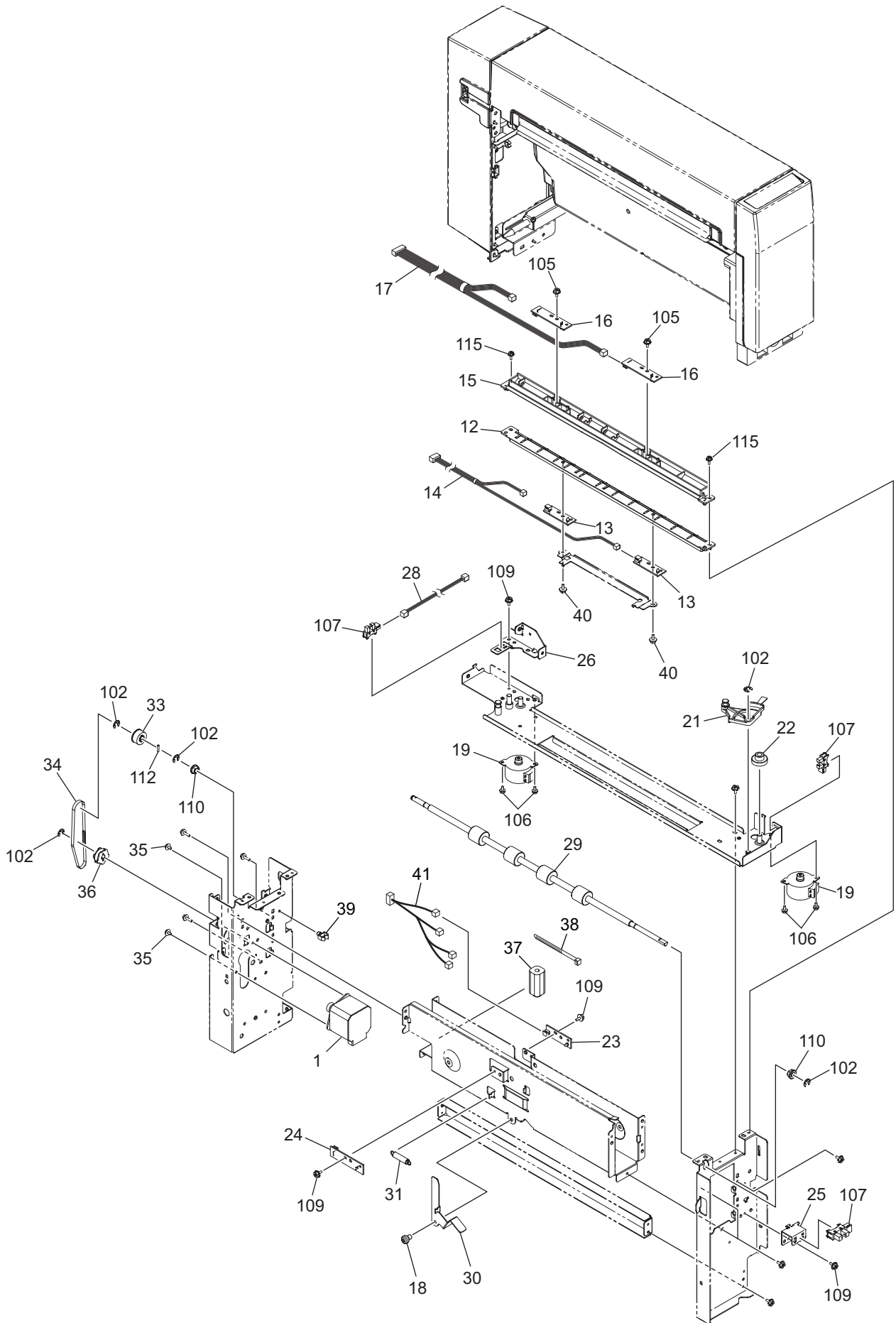
MJ-6106

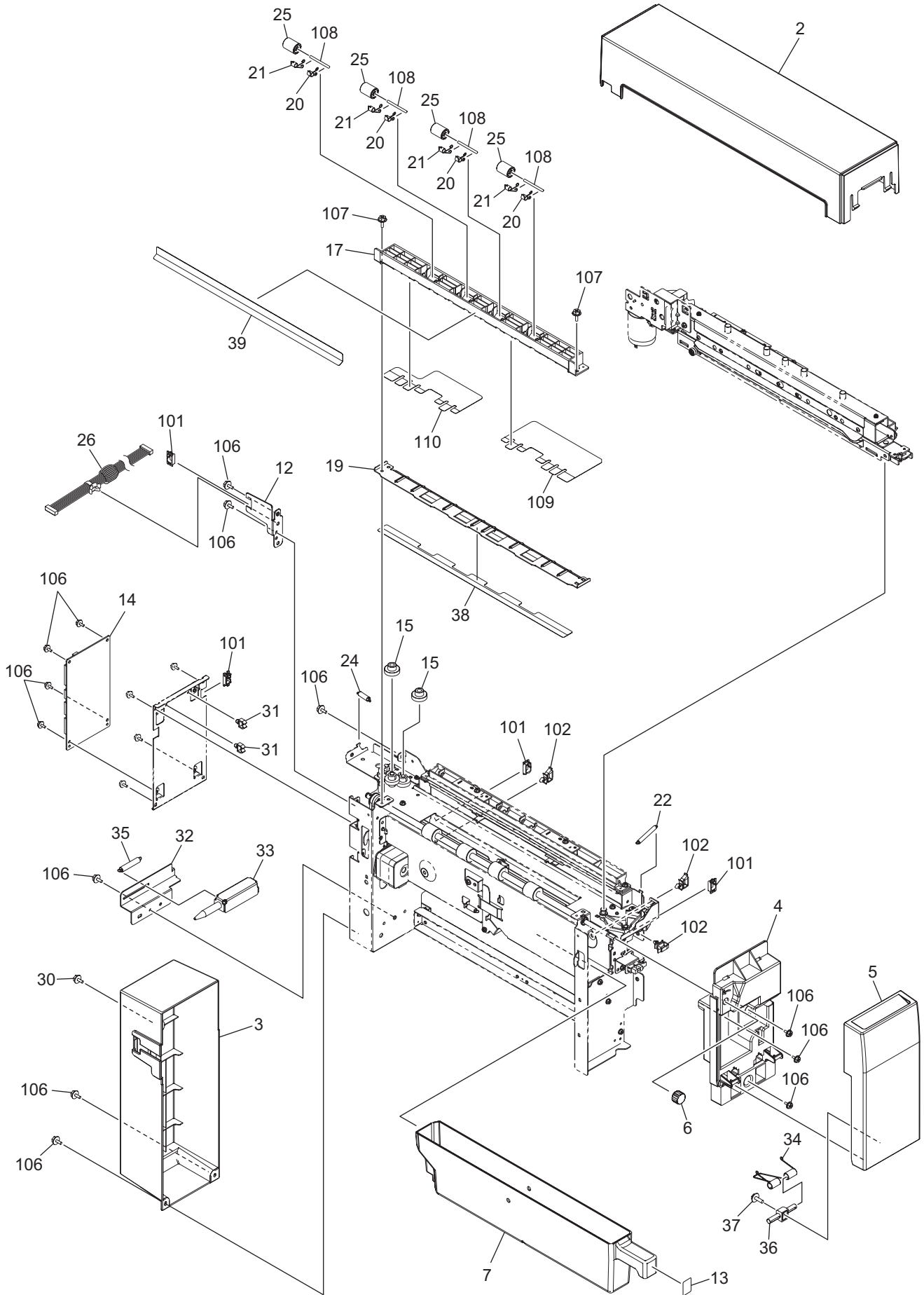
© 2016 TOSHIBA TEC CORPORATION All rights reserved

Under the copyright laws, this manual cannot be reproduced in any form without prior written permission of TOSHIBA TEC CORPORATION. No patent liability is assumed, however, with respect to the use of the information contained herein.

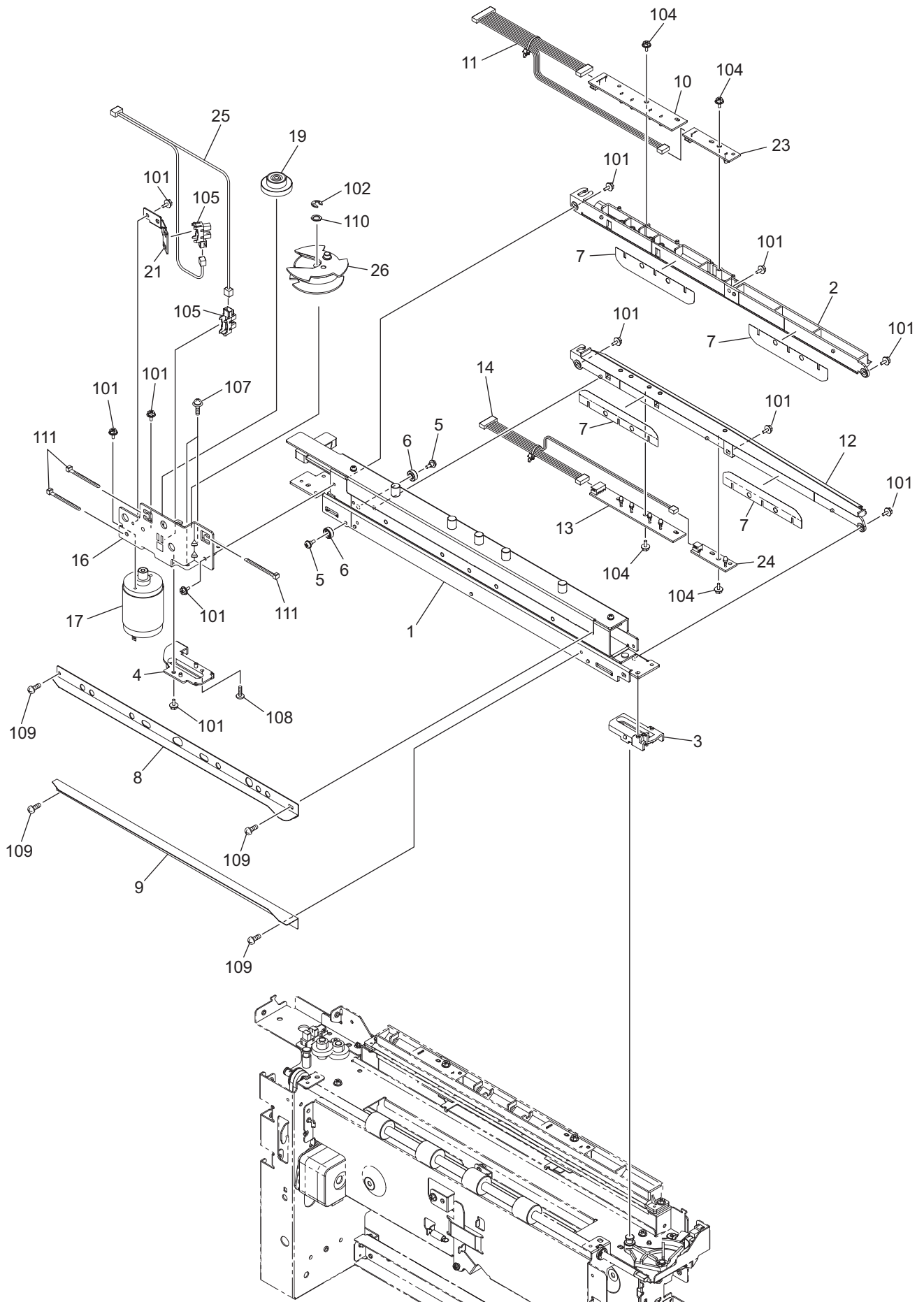
CONTENTS

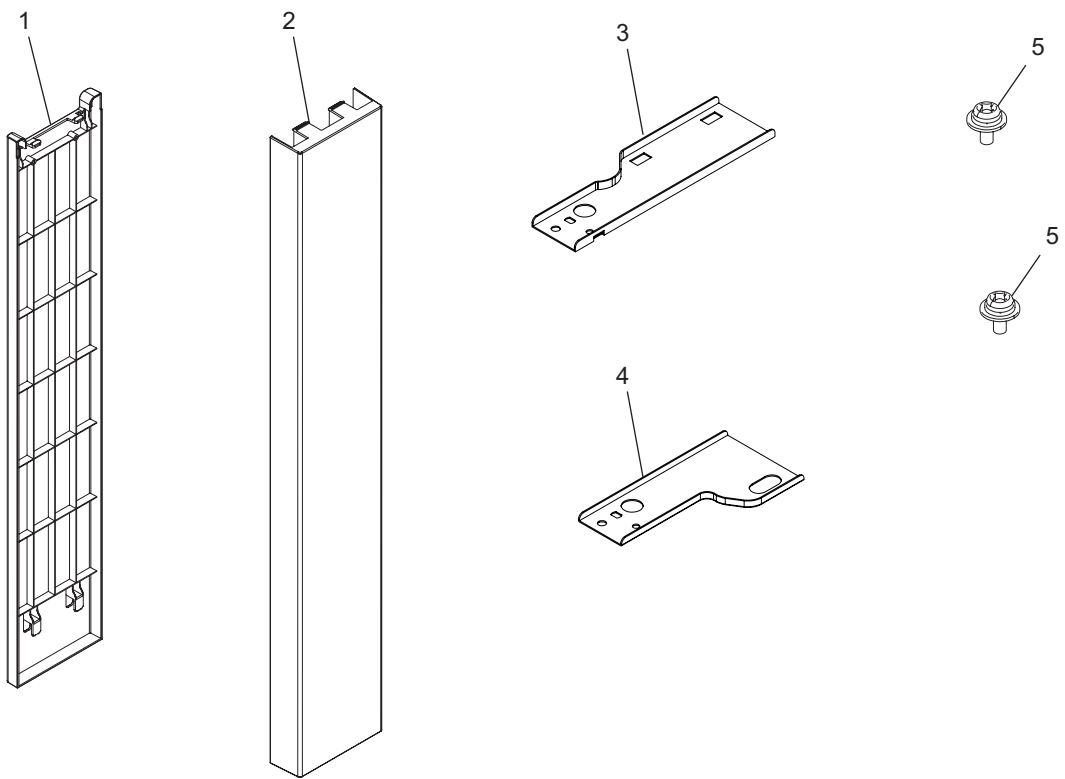
FRAMR-ASYB.....	1
PUNCH-ASYB-1	2
PUNCH-ASYB-2	3
ACCESSORIES	4





ITEM No.	PART No.	PART NAME	Q'TY / PAGE	Q'TY / PACK	REMARKS
2	6LK60007000	COVER-TP-RBT3-SSJB	1	1/PP	
3	6LB12028100	COVER-REAR-P-SSJB	1	1/PP	
4	6LB42705300	COVER-FRONT-PIP-SSJB	1	1/PP	
5	6LB42704400	COVER-F-DOOR-PIP-SSAJB	1	1/PP	
6	6LB12061100	KNOB-RLR-FEED-P2	1	1/P	
7	6LB15625000	BOX-DUST-P	1	1/PP	
12	6LB12022000	BRKT-CABLE-P	1	1/P	
13	6LB16436000	LBL-DUST-P	1	5/P	
14	6LK62597000	ASYB-PWA-PNC-PTJ2S	1	1/SB	
15	6LB12034000	GEAR-5S39_5S21-6	2	1/P	
17	6LB12039100	GUIDE-P-U-F5330	1	1/P	
19	6LB12151000	P-GUIDE-L2	1	1/P	
20	6LB12052000	SPG-P-RLR-F	4	1/P	
21	6LB12053000	SPG-P-RLR-R	4	1/P	
22	6LB12055000	SPG-VRG-P	1	1/P	
24	6LB12051000	SPG-HRG-P	1	1/P	
25	6LB10899000	RLR-D15XL20-BU-C	4	1/P	
26	6LK62465000	HRNS-OP-PNC-IF-619	1	1/P	
30	X0-02681000	S/TPD3/FHEXM/R-3X8-ZB3	1	10/P	
31	F0-00042000	UAMS-05S-2	2	5/P	
32	6LB42727000	BRKT-SLIDE-PIP	1	1/PP	
33	6LB42724000	ASYS-SLIDE-PIN-PIP	1	1/P	
34	6LB42729000	SPG-DOOR-FRONT-PIP	1	1/P	
35	6LB42726000	SPG-SLIDE-PIP	1	1/P	
36	6LB42728000	HLDR-SPG-PIP	1	1/P	
37	X0-02252000	S/TPP/FHEXM-4X10-NI	1	10/P	
38	6LB42750000	MYLAR-GUIDE-L	1	1/KP	
39	6LB42749000	MYLAR-GUIDE-U	1	1/KP	
101	F0-01248000	ESC-0912	4	10/P	
102	F0-01810000	LWS-0511S-V0	3	5/P	
106	X0-02592000	S/TPD3/FHEXM-3X6-ZU3	13	10/P	
107	X0-02593000	S/TPD3/FHEXM-3X8-ZU3	2	10/P	
108	6LB42751000	PIN-3X35-PIP	4	1/P	
109	6LB15613000	FILM-GUIDE-P-U-F	1	1/KP	
110	6LB15614000	FILM-GUIDE-P-U-R	1	1/KP	





TOSHIBA

TOSHIBA TEC CORPORATION

1-11-1, OSAKI, SHINAGAWA-KU, TOKYO, 141-8562, JAPAN