

TOSHIBA

SERVICE PARTS LIST

Hole Punch Unit

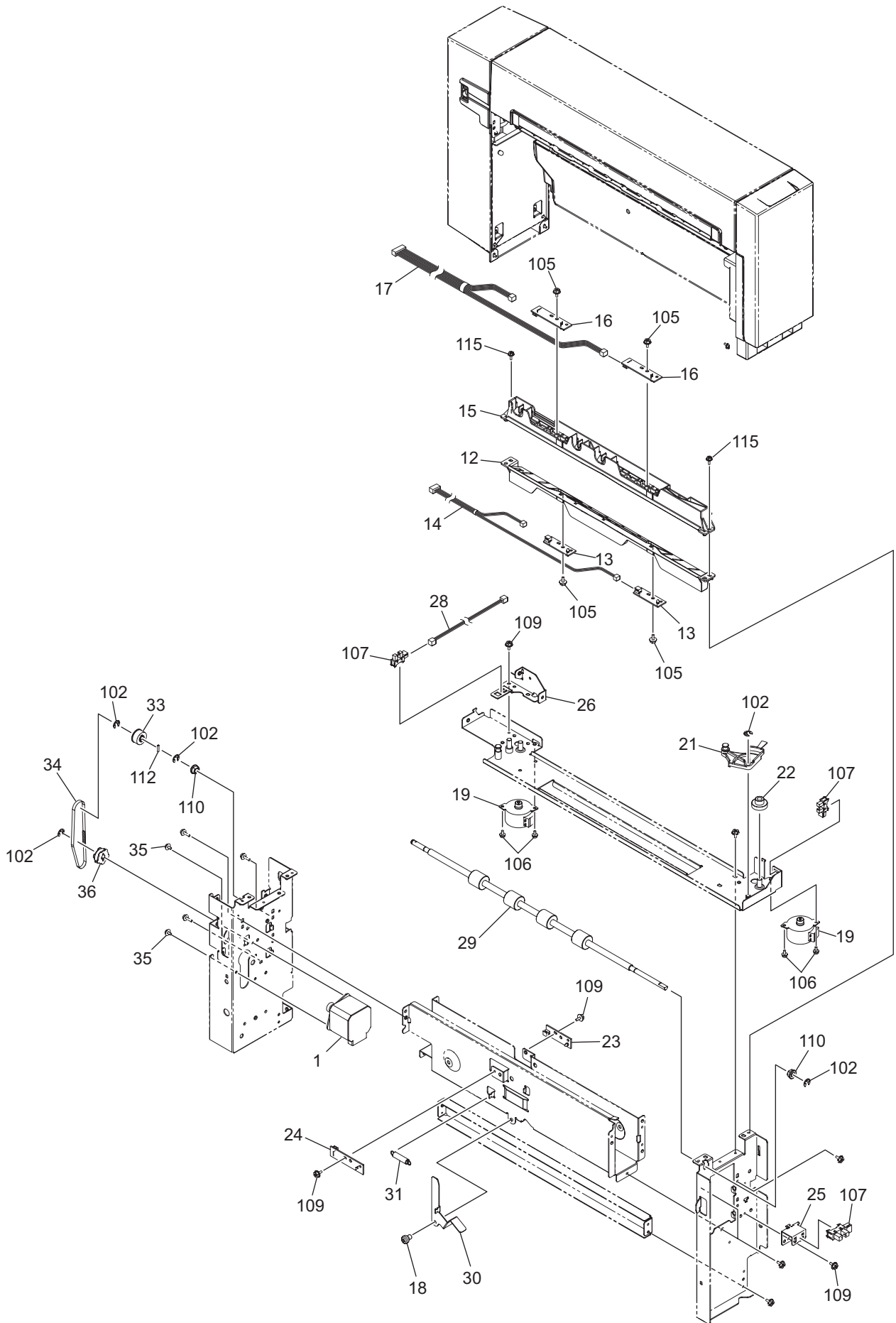
MJ-6105

© 2016 TOSHIBA TEC CORPORATION All rights reserved

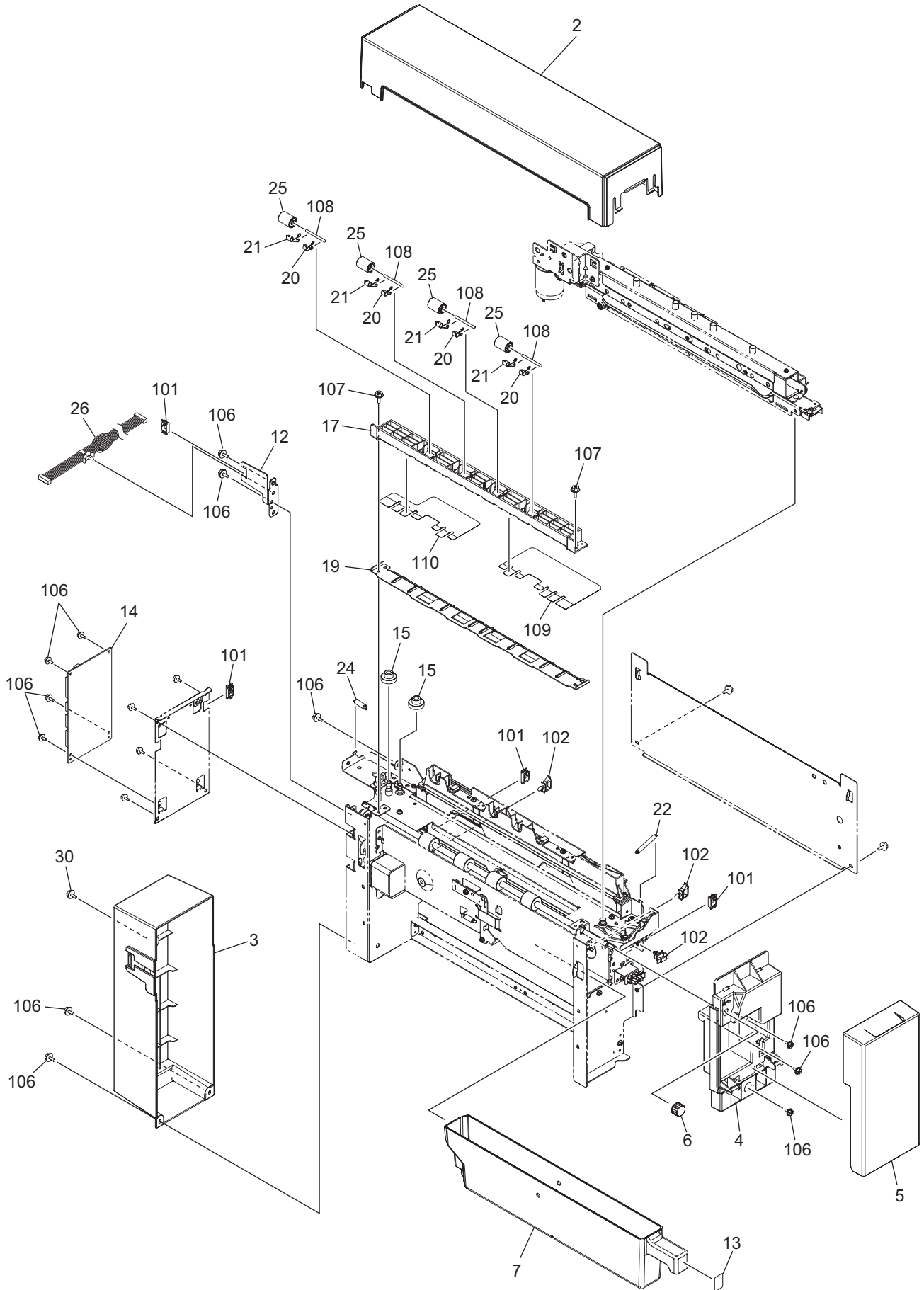
Under the copyright laws, this manual cannot be reproduced in any form without prior written permission of TOSHIBA TEC CORPORATION. No patent liability is assumed, however, with respect to the use of the information contained herein.

CONTENTS

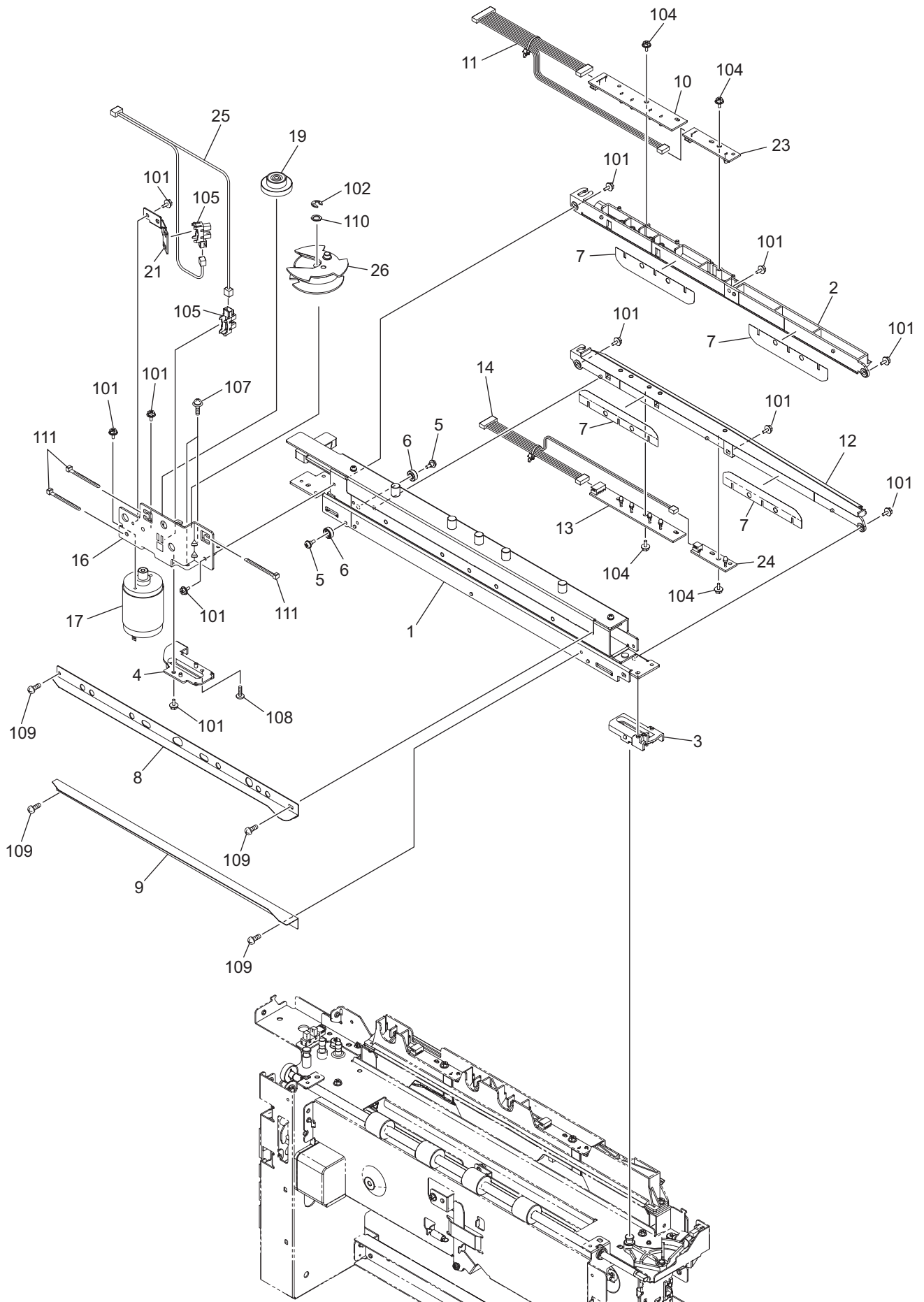
FRAMR-ASYB.....	1
PUNCH-ASYB-1	2
PUNCH-ASYB-2	3
ACCESSORIES	4



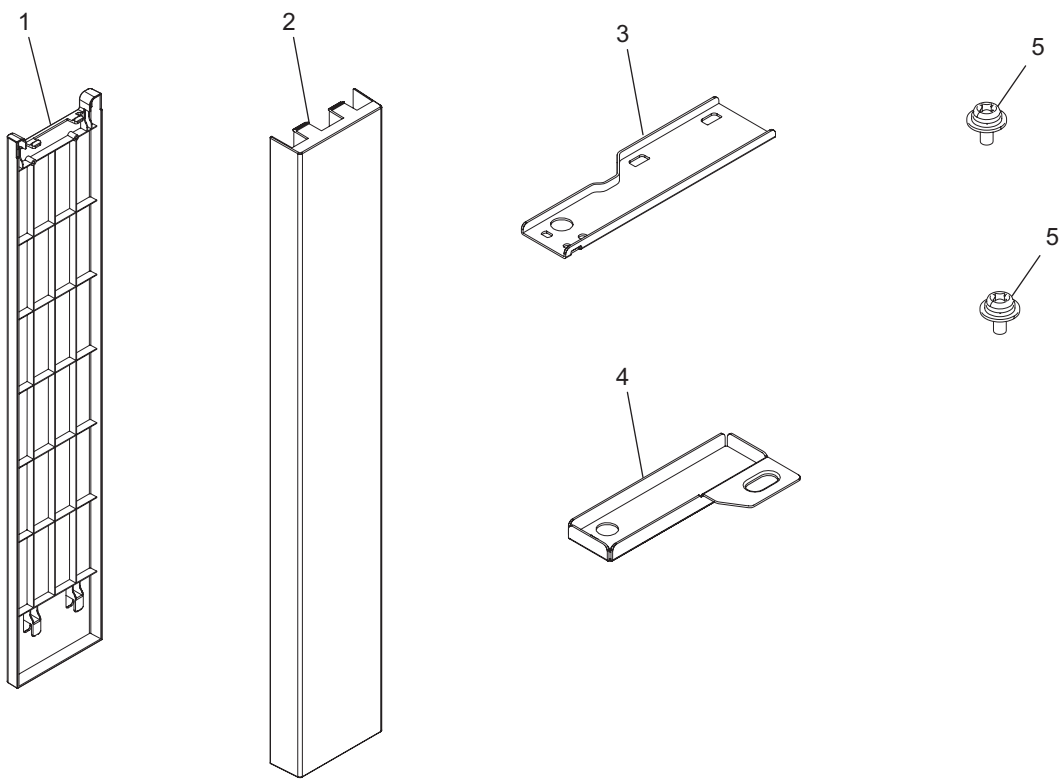
ITEM No.	PART No.	PART NAME	Q'TY / PAGE	Q'TY / PACK	REMARKS
1	6LK58438000	MOTR-S-FEED2-RBT3-M	1	1/C	
12	6LH81509000	GUIDE-GATE-L-P2	1	1/P	
13	6LK03906000	PWA-LED1-D-575	2	1/C	
14	6LB12465000	HRNS-SK12L	1	1/P	
15	6LH81505000	GUIDE-GATE-U-P2	1	1/P	
16	6LK03909000	PWA-SNS1-D-575	2	1/C	
17	6LK62495000	HRNS-SK12S	1	1/P	
18	6LB12085000	SCREW-SLIDE-P	1	5/P	
19	6LK03203000	MOTR-PM35-5S16-P-2	2	1/C	
21	6LB12011000	ASYS-GEAR-VRG-P	1	1/P	
22	6LB12034000	GEAR-5S39_5S21-6	1	1/P	
23	6LK03904100	PWA-LED1-S-575-01	1	1/C	
24	6LK03907100	PWA-SNS1-S-575-01	1	1/C	
25	6LB12018000	BASE-P-OPN	1	1/P	
26	6LB12023000	BRKT-HRHP-P	1	1/P	
28	6LB12449000	HRNS-HRHP	1	1/P	
29	6LB15620000	RLR-FEED-PNC	1	1/KP	
30	6LB12050000	SHUT-D-SNSR-P	1	1/P	
31	6LB12051000	SPG-HRG-P	1	1/P	
33	6LB39507000	PULLY-S2M28-6-SF-PIT	1	1/P	
34	6LB42739000	BLT-40S2M-234-PIP	1	1/P	
35	X0-00060000	S/PAN/SWWP-M3X6-NI	2	10/P	
36	6LB08609000	PULLY-S2M30-6-5	1	1/P	
102	X0-00966000	RR/E-5-SS	5	10/P	
105	X0-02246000	S/TPP/FHEXM-3X6-NI	4	10/P	
106	X0-00059000	S/PAN/SWWS-M3X6-NI	4	10/P	
107	C0-20487000	GP1A173LCS3F	3	1/P	
109	X0-02592000	S/TPD3/FHEXM-3X6-ZU3	4	10/P	
110	6LE49739000	BUSH-6X10X6F-SBK	2	5/P	
112	6LB12138000	PIN-2X10	1	10/P	
115	X0-02593000	S/TPD3/FHEXM-3X8-ZU3	2	10/P	



ITEM No.	PART No.	PART NAME	Q'TY / PAGE	Q'TY / PACK	REMARKS
2	6LK60007000	COVER-TP-RBT3-SSJB	1	1/PP	
3	6LB12028100	COVER-REAR-P-SSJB	1	1/PP	
4	6LB12026100	COVER-FRONT-P-SSJB	1	1/PP	
5	6LB12025200	COVER-F-DOOR-P-SSAJB	1	1/PP	
6	6LB12061100	KNOB-RLR-FEED-P2	1	1/P	
7	6LB15625000	BOX-DUST-P	1	1/PP	
12	6LB12022000	BRKT-CABLE-P	1	1/P	
13	6LB16436000	LBL-DUST-P	1	5/P	
14	6LK62596000	ASYB-PWA-PNC-619S	1	1/SB	
15	6LB12034000	GEAR-5S39_5S21-6	2	1/P	
17	6LB12039100	GUIDE-P-U-F5330	1	1/P	
19	6LB12151000	P-GUIDE-L2	1	1/P	
20	6LB12052000	SPG-P-RLR-F	4	1/P	
21	6LB12053000	SPG-P-RLR-R	4	1/P	
22	6LB12055000	SPG-VRG-P	1	1/P	
24	6LB12051000	SPG-HRG-P	1	1/P	
25	6LB10899000	RLR-D15XL20-BU-C	4	1/P	
26	6LK62465000	HRNS-OP-PNC-IF-619	1	1/P	
30	X0-02681000	S/TPD3/FHEXM/R-3X8-ZB3	1	10/P	
101	F0-01248000	ESC-0912	4	10/P	
102	F0-01810000	LWS-0511S-V0	3	5/P	
106	X0-02592000	S/TPD3/FHEXM-3X6-ZU3	12	10/P	
107	X0-02593000	S/TPD3/FHEXM-3X8-ZU3	2	10/P	
108	6LB42751000	PIN-3X35-PIP	4	1/P	
109	6LB15613000	FILM-GUIDE-P-U-F	1	1/KP	
110	6LB15614000	FILM-GUIDE-P-U-R	1	1/KP	



ITEM No.	PART No.	PART NAME	Q'TY / PAGE	Q'TY / PACK	REMARKS
1 A	6LB42765000	PUNCH-E	1	1/C	E
1 B	6LB42767000	PUNCH-F	1	1/C	F
1 C	6LB42766000	PUNCH-N	1	1/C	N
1 D	6LB42768000	PUNCH-S	1	1/C	S
2	6LB12041000	GUIDE-PNCH-U-P	1	1/P	
3	6LB12042000	GUIDE-RG-PUNCH-P	1	1/P	
4	6LB42760000	RACK-PNCH-RG-PIP	1	1/P	
5	6LB12085000	SCREW-SLIDE-P	2	5/P	
6	6LB12056000	WHEEL-PNCH-P	2	1/P	
7	6LB42770000	MYLAR-PNCH-PIP	4	1/KP	
8	6LB15617000	ASYS-GUIDE-PNC-U-P	1	1/P	
9	6LB15618000	ASYS-GUIDE-PNC-L-P	1	1/P	
10	6LK03908000	PWA-SNS4-S-575	1	1/C	
11	6LB12512000	HRNS-RSSFP	1	1/P	
12	6LB12040000	GUIDE-PNCH-L-P	1	1/P	
13	6LK03905000	PWA-LED4-S-575	1	1/C	
14	6LB12511000	HRNS-RSLFP	1	1/P	
16	6LB42798000	ASYS-PLATE-MOTR-PNCH-P	1	1/P	
17	6LB12164000	ASYS-MOTR-D-PNCH-P	1	1/C	
19	6LB12035000	GEAR-5S55 10S16-4	1	1/P	
21	6LB12046000	PLATE-SNSR-PNCH-P	1	1/P	
23	6LK03907000	PWA-SNS1-S-575-00	1	1/C	
24	6LK03904000	PWA-LED1-S-575-00	1	1/C	
25	6LB12510000	HRNS-PHP	1	1/P	
26	6LB42764000	ASYS-GEAR-SLIDE-P-ENF	1	1/P	
101	X0-02592000	S/TPD3/FHEXM-3X6-ZU3	11	10/P	
102	X0-00964000	RR/E-3-SS	1	10/P	
104	X0-02246000	S/TPP/FHEXM-3X6-NI	4	10/P	
105	C0-20487000	GP1A173LCS3F	2	1/P	
107	X0-00060000	S/PAN/SWWP-M3X6-NI	2	10/P	
108	X0-00603000	S/TPS/PAN-3X8-NI	1	10/P	
109	6LA08935000	SCR-M3X6BISR-NI	4	10/P	
110	6LB42775000	WSHR-4R1-6R5-R5-P	1	5/P	
111	F0-01846000	YJ-100	3	5/P	



ITEM No.	PART No.	PART NAME	Q'TY / PAGE	Q'TY / PACK	REMARKS
1	6LB12087300	COVER-R-BLIND-P-SSAJB	1	1/PP	
2	6LK60006000	COVER-FRT-BLIND-PNC-SSAJB	1	1/PP	
3	6LB12086000	BRKT-RB-COV-P	1	1/P	
4	6LB12021000	BRKT-B-COV-P	1	1/P	
5	X0-02217000	S/PAN/SWWP-M4X8-ZU3	2	10/P	

TOSHIBA

TOSHIBA TEC CORPORATION

1-11-1, OSAKI, SHINAGAWA-KU, TOKYO, 141-8562, JAPAN