

**TOSHIBA**

# **SERVICE PARTS LIST**

**Job Separator**

**MJ-5015**

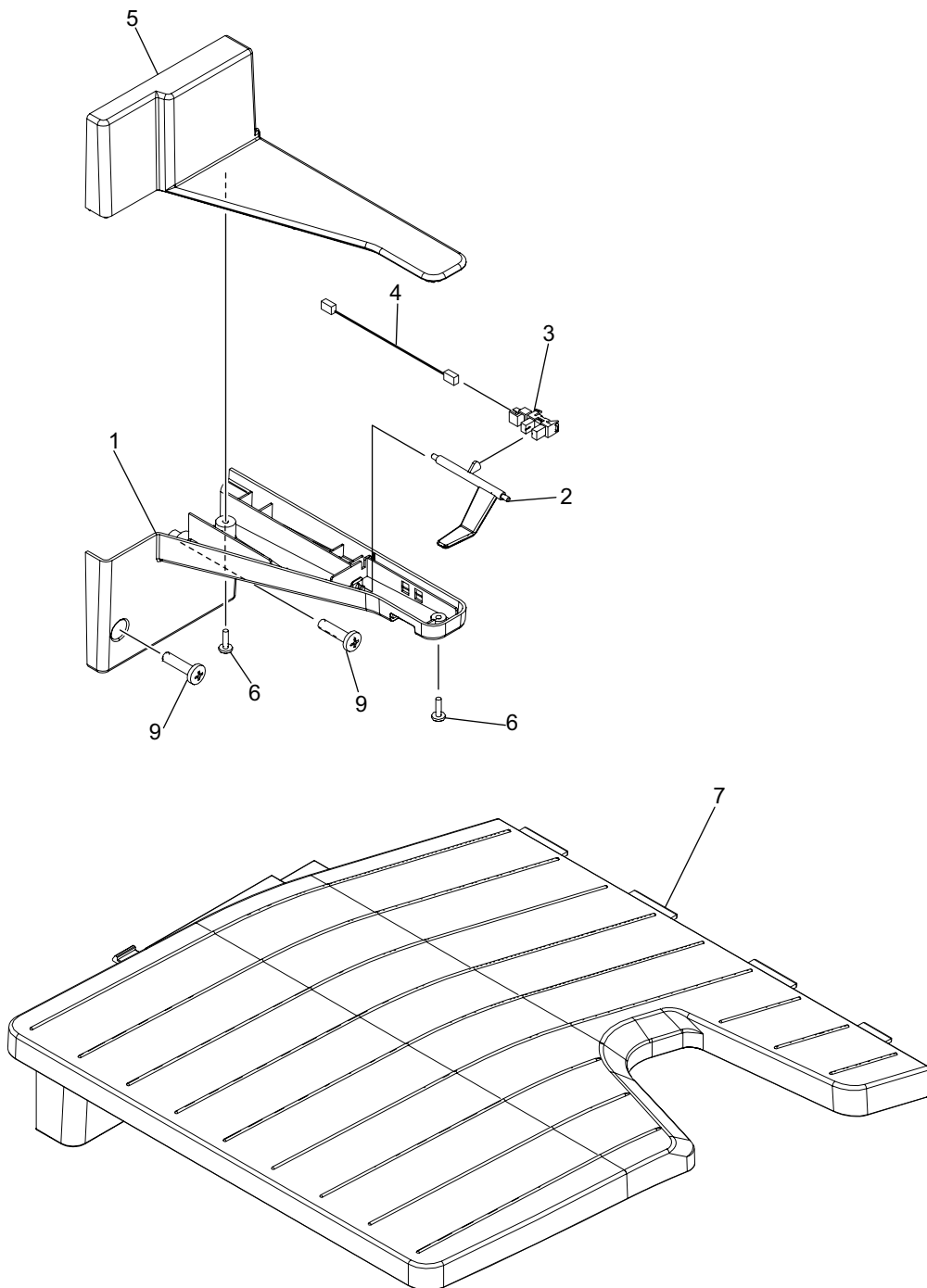
© 2016 TOSHIBA TEC CORPORATION All rights reserved

Under the copyright laws, this manual cannot be reproduced in any form without prior written permission of TOSHIBA TEC CORPORATION. No patent liability is assumed, however, with respect to the use of the information contained herein.

# CONTENTS

JOB_ SEPARATOR.....	1
---------------------	---





ITEM No.	PART No.	PART NAME	Q'TY / PAGE	Q'TY / PACK	REMARKS
1	6LH58251300	HLDR-SNSR-L-JSP-B	1	1/PP	
2	6LH58253000	ACT-FULL-JSP-47X	1	1/P	
3	C0-14266000	LG248BL1	1	1/C	
4	6LK72478000	HRNS-JSP-SW-H506-2	1	1/P	
5	6LH58252300	HLDR-SNSR-U-JSP-B	1	1/PP	
7	6LH58267400	TRAY-JSP-47X_B	1	1/PP	
9	X0-02016000	S/BID-M4X16-NI	2	10/P	



**TOSHIBA**

**TOSHIBA TEC CORPORATION**

1-11-1, OSAKI, SHINAGAWA-KU, TOKYO, 141-8562, JAPAN