

TOSHIBA

SERVICE PARTS LIST

Saddle Finisher

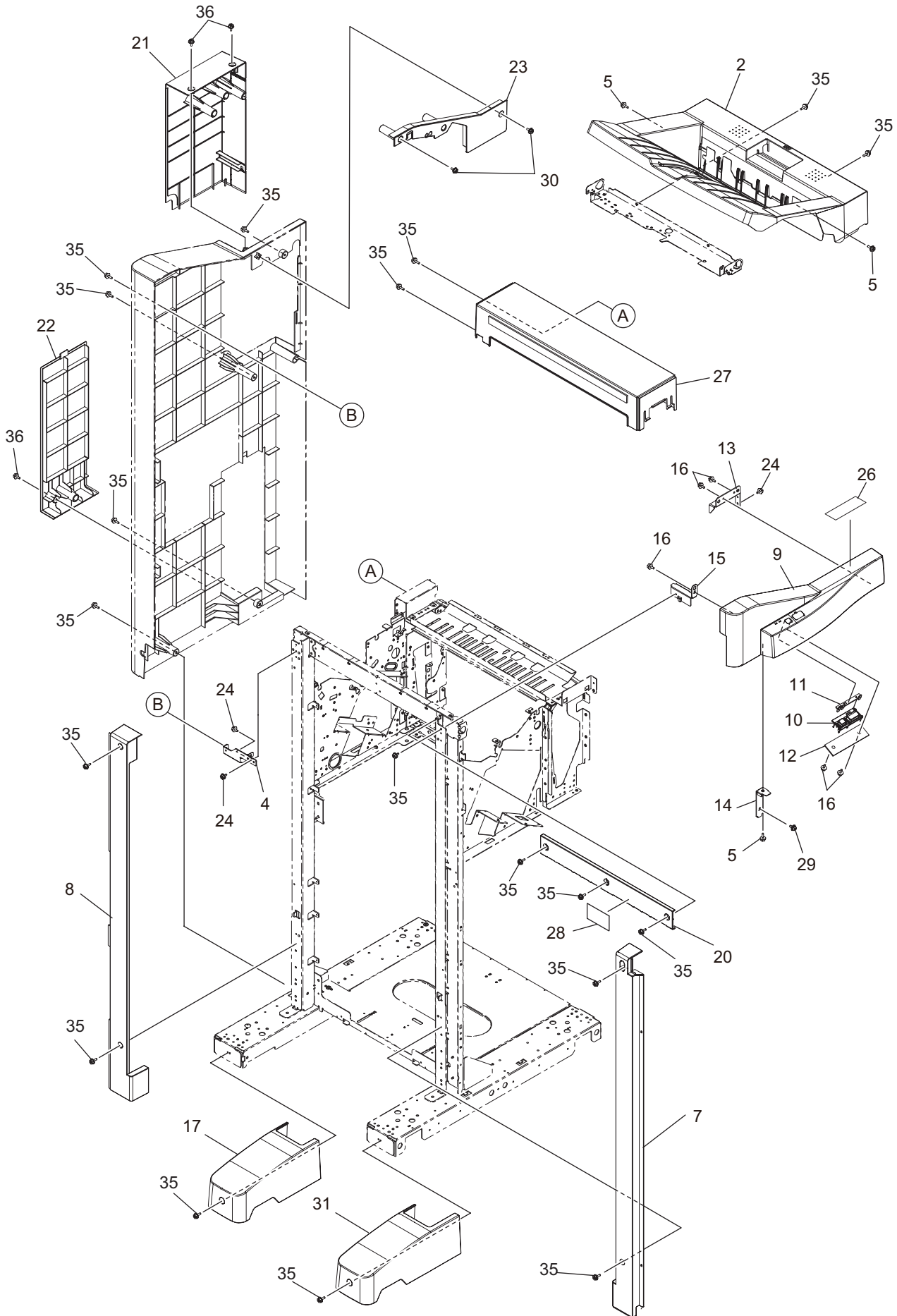
MJ-1114

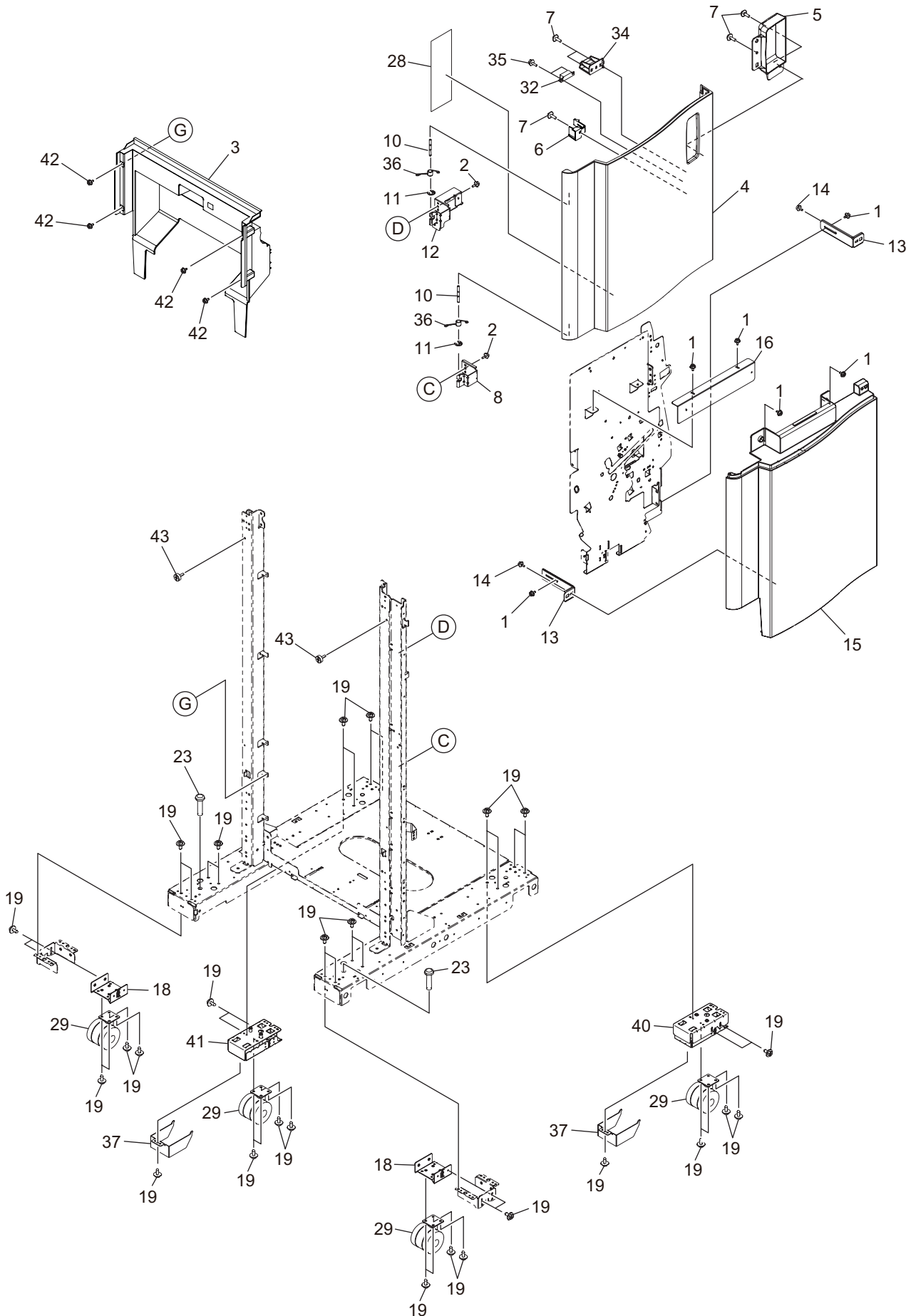
© 2022 Toshiba Tec Corporation All rights reserved

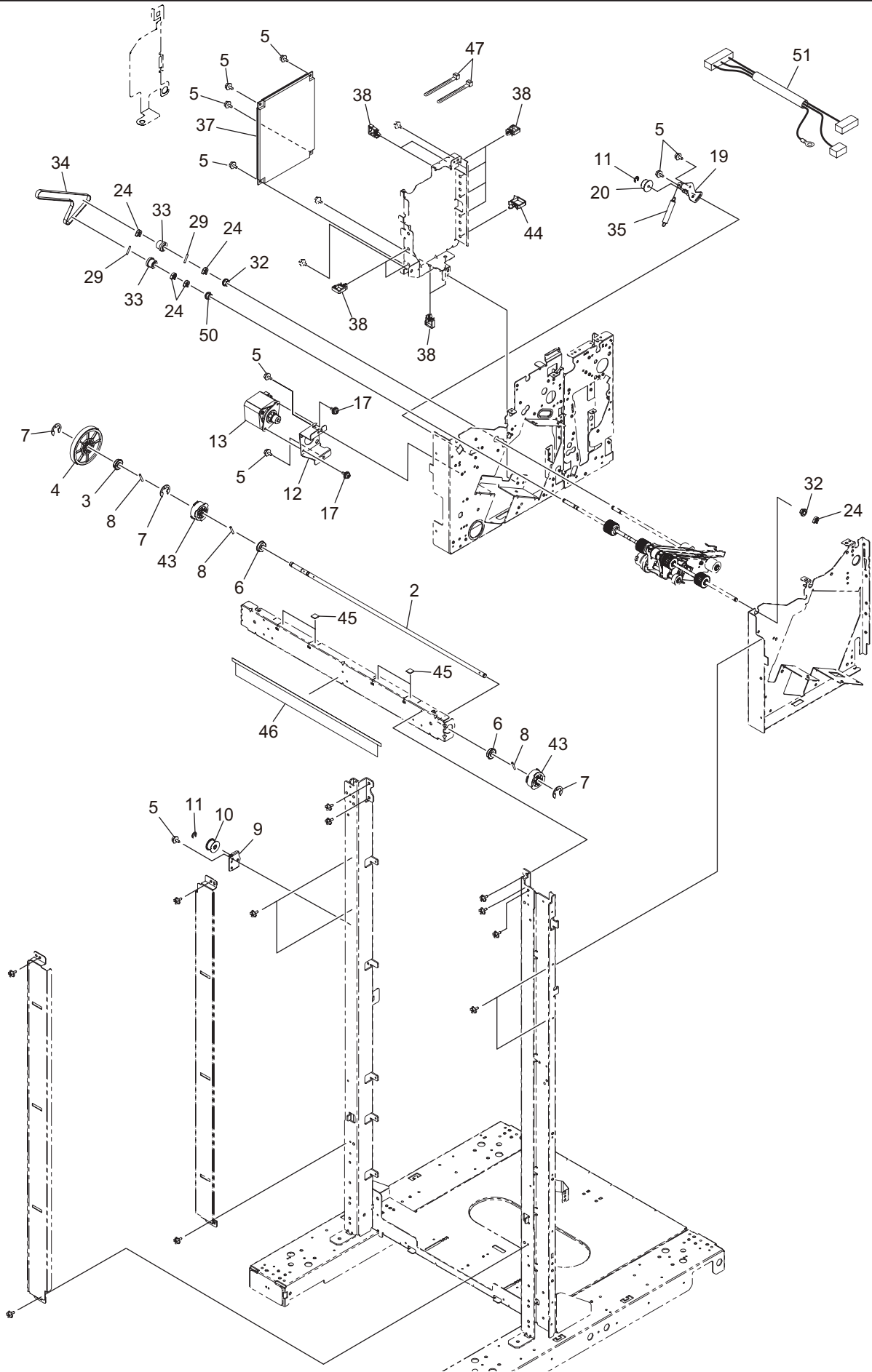
Under the copyright laws, this manual cannot be reproduced in any form without prior written permission of Toshiba Tec Corporation. No patent liability is assumed, however, with respect to the use of the information contained herein.

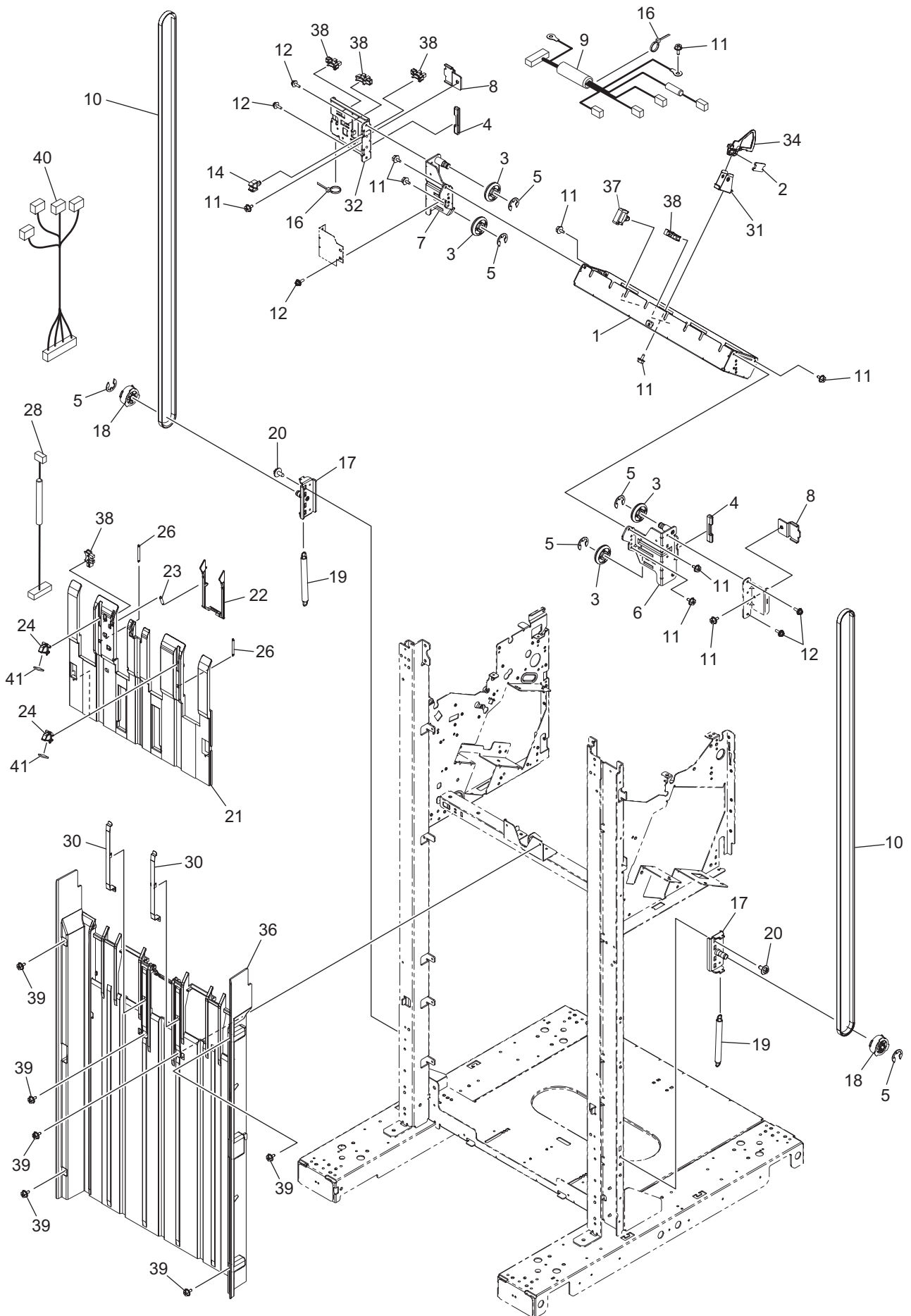
CONTENTS

COVER-1-ASM	1
COVER-2-ASM	2
PAPER GUIDE-ASM	3
FRAME-BASE-TRAY-ASM.....	4
FRAME-ALGIN-1-ASM	5
FRAME-ALGIN-2-ASM	6
BUFFER-1-ASM.....	7
BUFFER-2-ASM.....	8
BUFFER-3-ASM.....	9
SORT-ASM.....	10
STAPLE-ASM.....	11
SORT-TRAY-ASM	12
ATTACHMENT-ASM	13
ACCESSORIES-ASM	14
JCT-BOX-ASYM-SDL.....	16
GUIDE-RAIL-SDL-ASM	17
FRAME-SD-ASM	18
FOLD-GEAR-ASM	19
STACK-ASM.....	20
P-PRESS-ASM	21
STAPLE-ASM-SDL.....	22
SORT-ASYM-SD	23
EFS-SDL-1-ASM.....	24
EFS-SDL-2-ASM.....	25
SW-BACK-1-ASM	26
SW-BACK-2-ASM	27
SW-BACK-3-ASM	28
ACCESSORIES-SDL-ASM	29
JIGS_&_GREASE.....	51

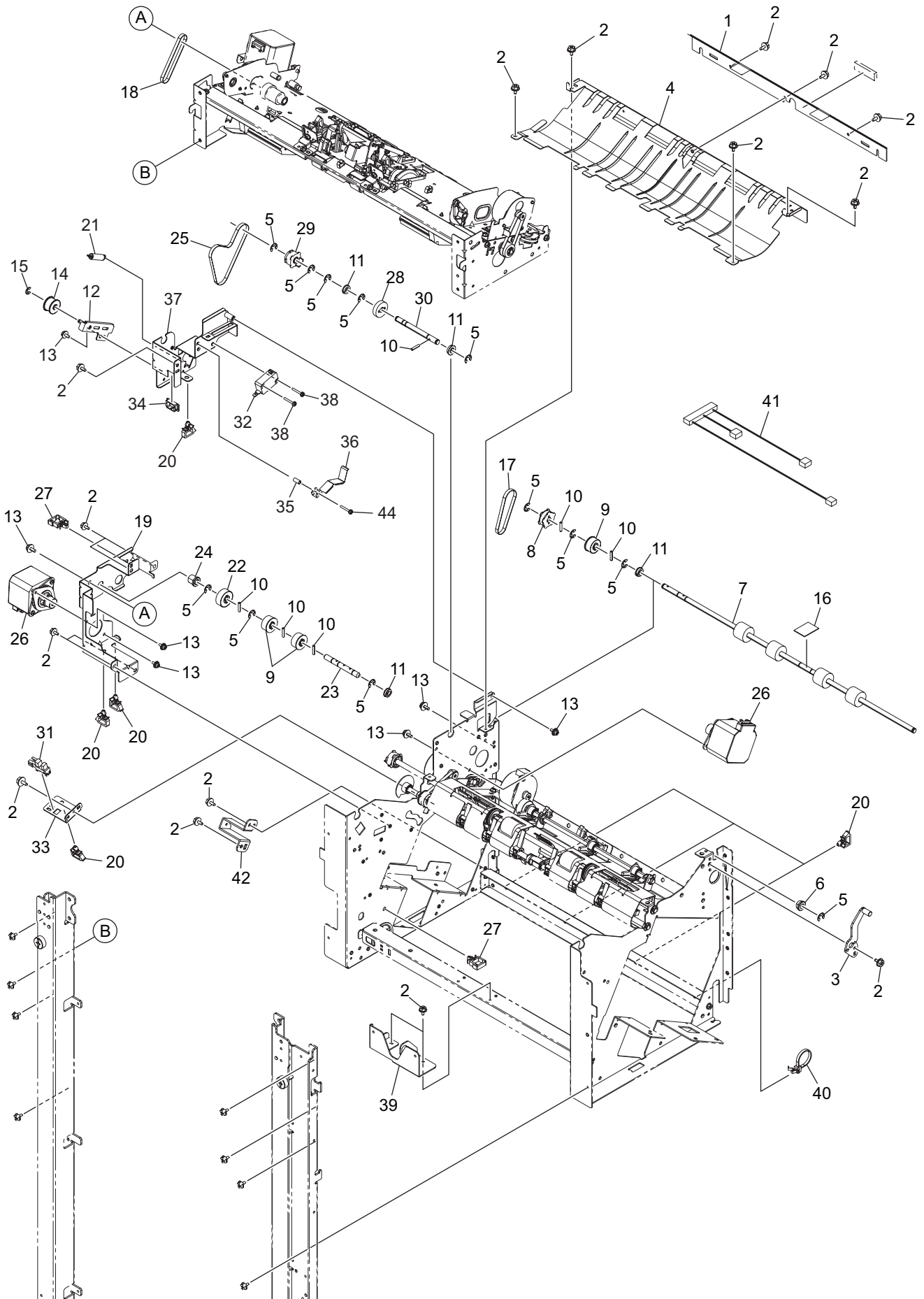




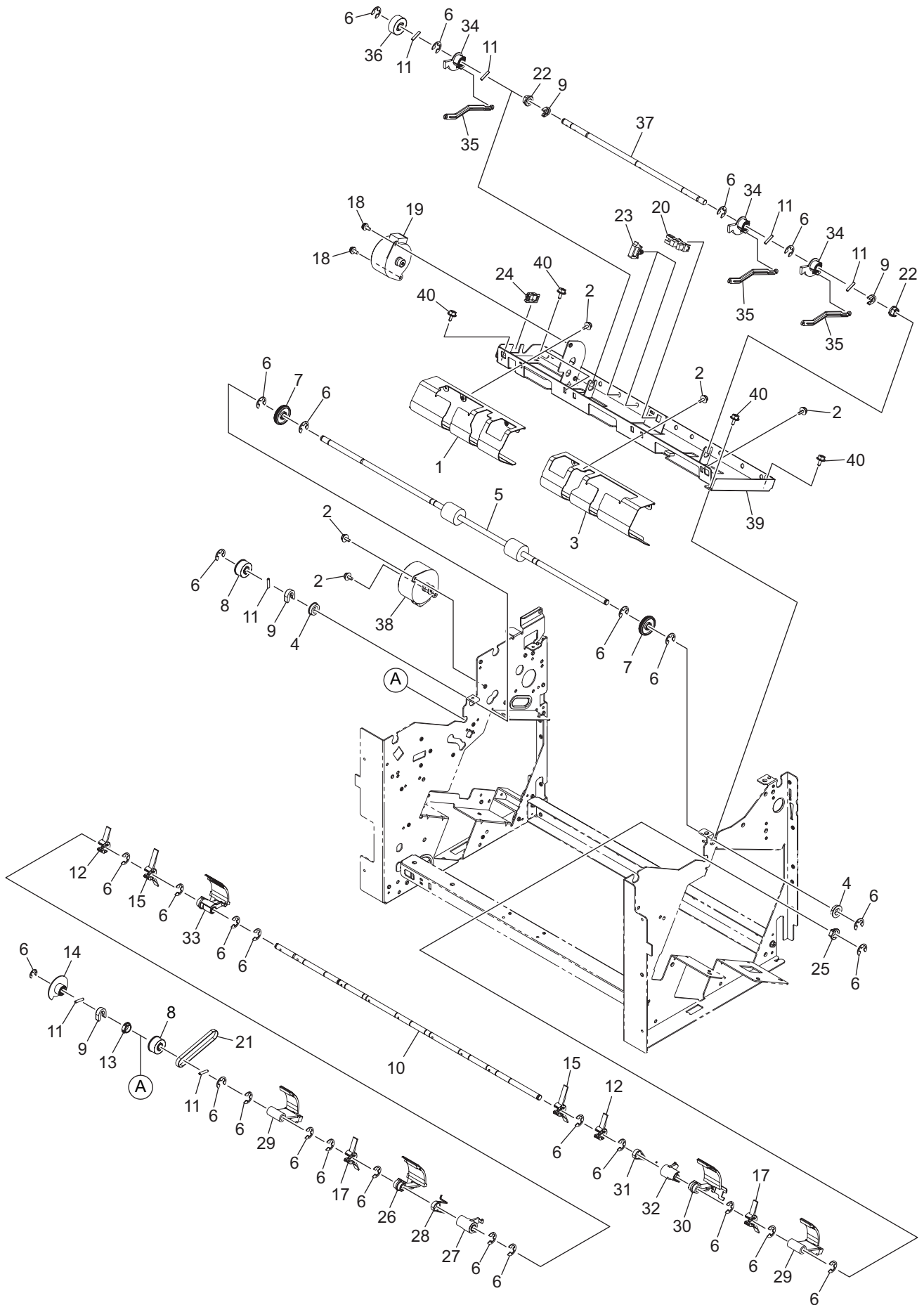




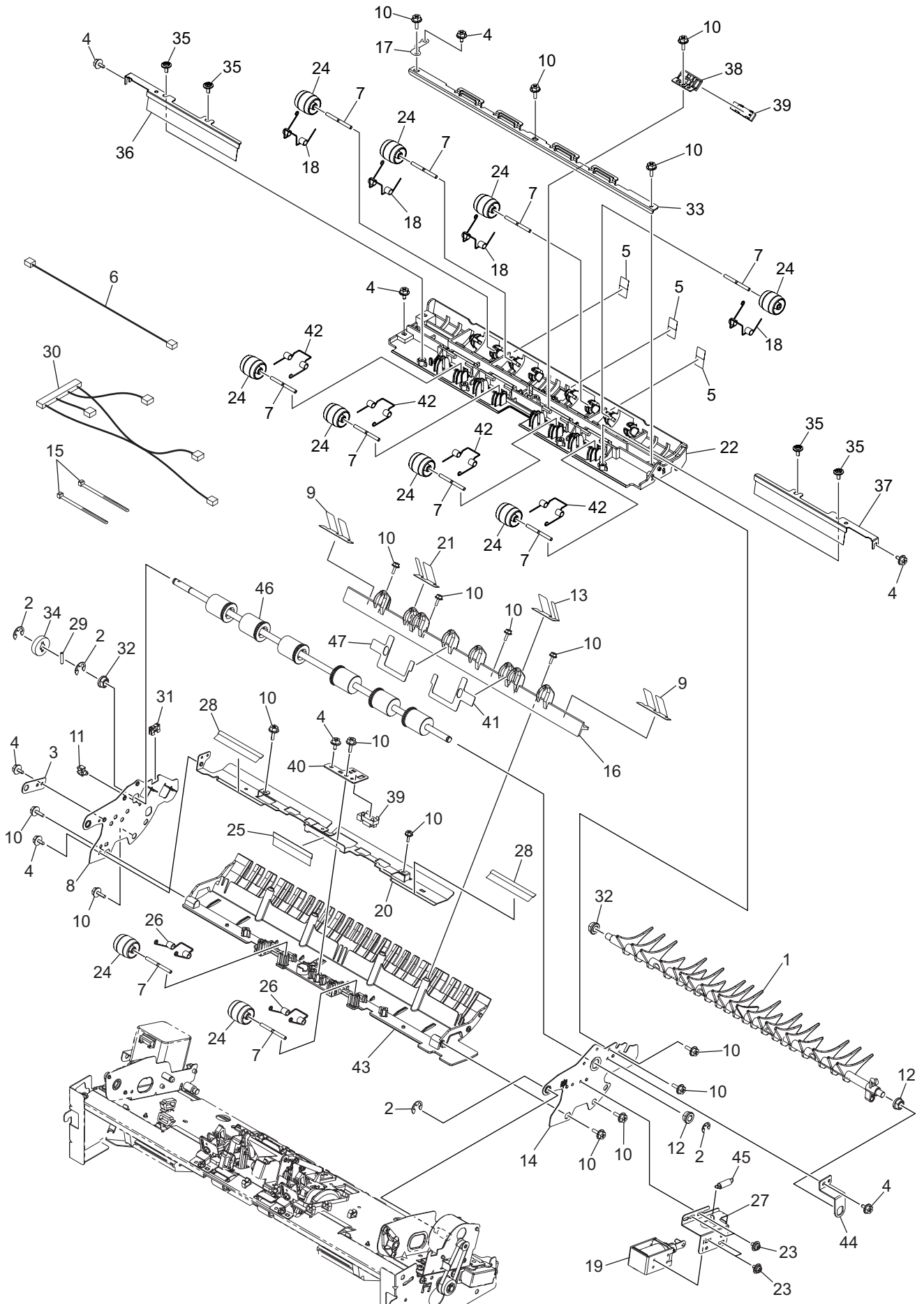
ITEM No.	PART No.	PART NAME	Q'TY / PAGE	Q'TY / PACK	REMARKS
1	6LB11010000	FRAME-BASE-TRAY	1	1/P	
2	6LB10216000	PLATE-P-SNSR-SO	1	1/P	
3	6LB11093100	ROLLER-GUIDE-TRAY_P	4	1/P	
4	6LB11011000	GUARD-CAP-SLIDERAIL-TRAY	2	1/P	
5	X0-00968000	R/E-7-SS	6	10/P	
6	6LB11074100	ASYS-RAIL-BRKT-F-TRAY_N	1	1/P	
7	6LB11075100	ASYS-RAIL-BRKT-R-TRAY_N	1	1/P	
8	6LB41701000	PLATE-BLT-CLUMP-TRAY	2	1/P	
9	6LK62598000	HRNS-SFTTRY-EAR-618	1	1/P	
10	6LB39509000	BLT-70S5M-1595-PIT	2	1/P	
11	X0-02420000	S/TPS/FHEXM/R-3X8-ZU3	10	10/P	
12	X0-00077000	S/PAN/SWWP-M3X8-NI	5	10/P	
14	F0-00042000	UAMS-05S-2	1	5/P	
16	F0-01012000	T18R	2	5/P	
17	6LB41500100	ASYS-PLT-PLY-IDL-TRAY-NEW	2	1/P	
18	6LB39503000	PULLY-S5M18-8-PIT	2	1/P	
19	6LB41519000	SPG-TENS-PLY-TRAY-PIT	2	1/P	
20	X0-02421000	S/TPS/FHEXM/R-4X8-ZU3	2	10/P	
21	6LB41744500	SHUTTER-TRAY-PIT2-TJB	1	1/PP	
22	6LB41743200	ACTR-01-SNSR-TRAY-PIT-SS	1	1/KP	
23	6LB41728000	SPG-ACTR-01-TRAY-40-PIT	1	5/P	
24	6LB41708100	STOP-PAPER-PIT_P	2	1/P	
26	6LB39900000	SPG-STOP-PIT	2	1/P	
28	6LK62449000	HRNS-SHAT-SEN-618	1	1/P	
30	6LB41706000	PLATE-EARTH-ENCL-PIT	2	1/P	
31	6LB41720000	BRKT-ACTR-FN-PIT	1	1/P	
32	6LK59603000	PLATE-BLT-RER-TRAY	1	1/P	
34	6LB41721100	ACTR-SNSR-FN-PIT_P	1	1/P	
36	6LB41727100	ASYS-ENCL-L-RBT3	1	1/PP	
37	F0-01811000	LWS-0711S-V0	1	5/P	
38	C0-20495000	LG2A24BL1	5	1/C	
39	X0-02681000	S/TPD3/FHEXM/R-3X8-ZB3	6	10/P	
40	6LK62450000	HRNS-REAR-MTR-SEN-618	1	1/P	
41	6LH80518000	RUBR-STOP-PAPER	2	5/P	



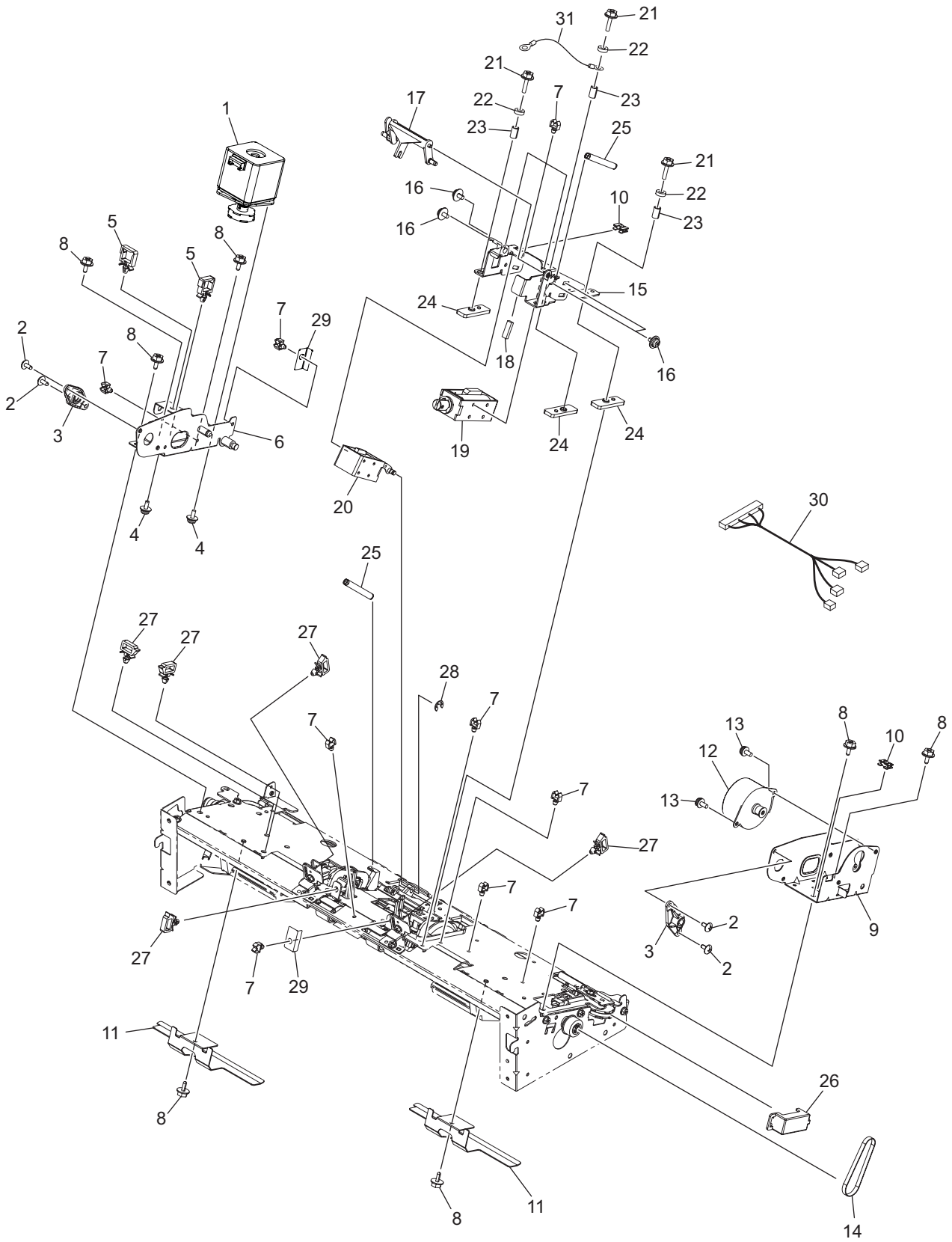
ITEM No.	PART No.	PART NAME	Q'TY / PAGE	Q'TY / PACK	REMARKS
1	6LB40551000	ASYS-MYLAR-FEED-IN-PIT	1	1/C	
2	X0-02419000	S/TPS/FHEXM/R-3X6-ZU3	18	10/P	
3	6LB10838100	ASYS-BRKT-TRY-F-BU-C_N	1	1/P	
4	6LK58405000	GUIDE-FEED-LOW-RBT3	1	1/D	
5	X0-00966000	RR/E-5-SS	12	10/P	
6	6LE49741000	BUSH-6X10X6F-POM	1	5/P	
7	6LK57609000	RLR-FEED-1-RBT3-SG-PBF1	1	1/KP	
8	6LB08609000	PULLY-S2M30-6-5	1	1/P	
9	6LB39507100	PULLY-S2M28-6-SF-PIT_P	3	1/P	
10	6LB12168100	PIN-2X10-PBF2	6	10/P	
11	F0-02079000	LF-1060ZZHP0P25LY727	4	1/P	
12	6LK58420100	ASYS-TNSN-EXIT_N	1	1/P	
13	X0-00060000	S/PAN/SWWP-M3X6-NI	7	10/P	
14	6LB39504100	RLR-TENSION-PIT_P	1	1/P	
15	X0-00964000	RR/E-3-SS	1	10/P	
16	6LB40550000	SHEET-FEDL-SNSR	1	5/P	
17	6LK58001000	BLT-40-S2M-132	1	1/P	
18	6LK58002000	BLT-40-S2M-140	1	1/P	
19	6LK58404000	BRKT-EXIT-MOTR-RBT3	1	1/P	
20	F0-01811000	LWS-0711S-V0	7	5/P	
21	6LJ37407000	SPG-BLT-TENS-1	1	1/P	
22	6LK57400000	GEAR-5S40-6	1	1/P	
23	6LK58454100	SFT-DRV-EXT-RLR-BUF-PBF2	1	1/P	
24	6LE24986000	BUSH-6X11-GCB	1	5/P	
25	6LB40525000	BLT-40S2M-216-FL-PIT	1	1/P	
26	6LK58444000	MOTR-S-FEED2-RBT3-MNS	2	1/C	
27	F0-01715000	LWS-3S-V0	2	5/P	
28	6LK58400000	GEAR-10S20-6	1	1/P	
29	6LH79502000	PULLY-S2M28-6-CLUTCH	1	1/P	
30	6LK58422000	SHAFT-GEAR-FEED-1-RBT3	1	1/P	
31	C0-20495000	LG2A24BL1	1	1/C	
32	6LK62438000	HRNS-CVRSW-FRONT-TOP-618	1	1/P	
33	6LB10013000	BRKT-PDL-SNSR	1	1/P	
34	F0-01248000	ESC-0912	1	10/P	
35	F0-01484000	3382330-30090	1	5/P	
36	6LK58446000	SPG-COV-OPSW-ST-S18	1	1/P	
37	6LK58449100	ASYS-BRKT-FEED-R-S18_N	1	1/P	
38	X0-02060000	S/TPS/PAN-3X16-ZU3	2	10/P	
39	6LB40502000	BRKT-SFT-SHUT-PIT2	1	1/P	
40	F0-00257000	RSG-100	1	5/P	
41	6LK62439000	HRNS-INNER-MTR-SEN-618	1	1/P	
42	6LB11231000	PLT-SPCR-REAR-R-B	1	1/P	
44	X0-02135000	S/PAN/SWWP-M3X14-NI	1	10/P	

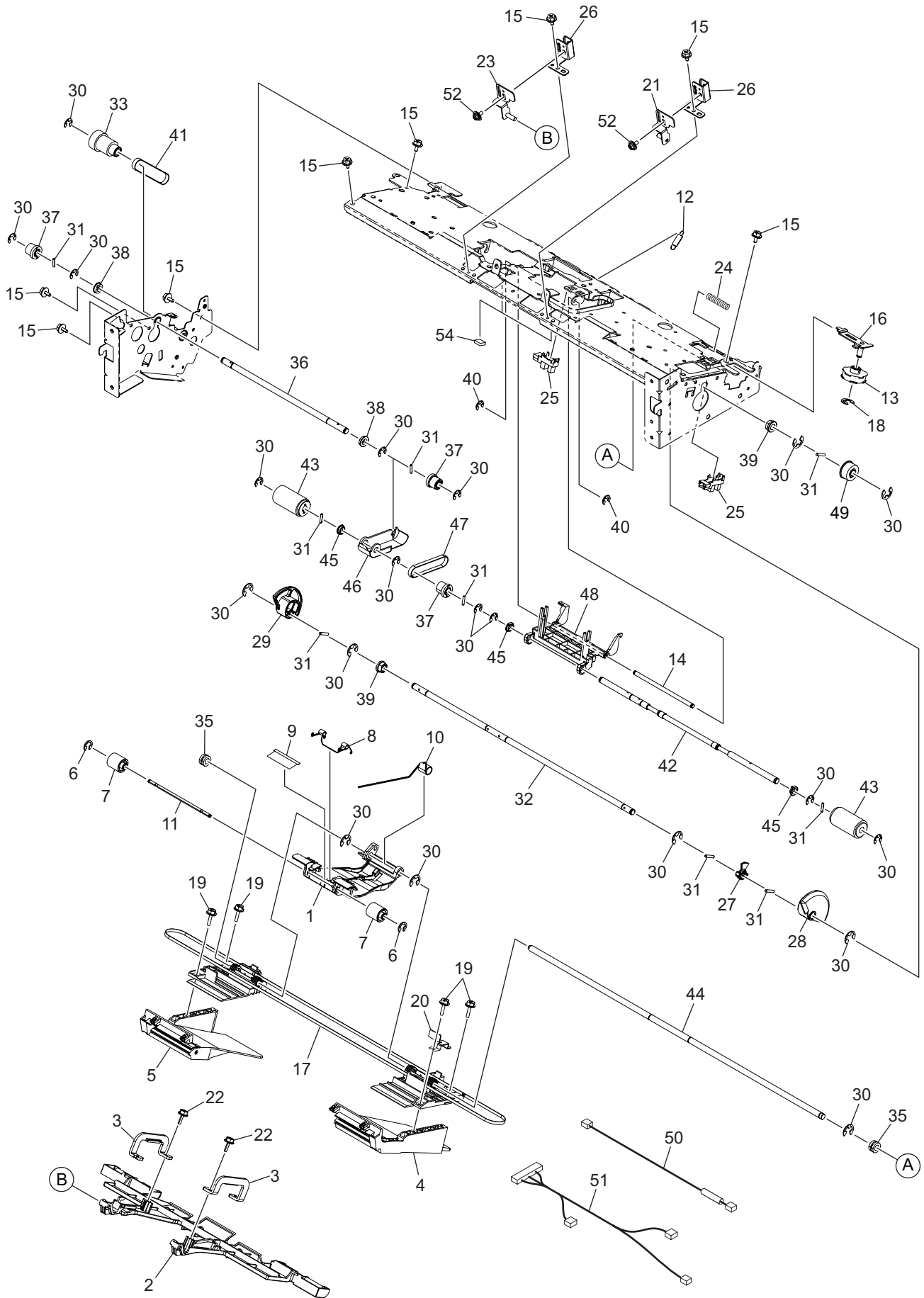


ITEM No.	PART No.	PART NAME	Q'TY / PAGE	Q'TY / PACK	REMARKS
1	6LL54405000	PLATE-GID-PDL-RER-S20	1	1/P	
2	X0-00060000	S/PAN/SWWP-M3X6-NI	6	10/P	
3	6LL54404000	PLATE-GID-PDL-FRT-S20	1	1/P	
4	F0-02079000	LF-1060ZZHP0P25LY727	2	1/P	
5	6LL54503100	RLR-FEED-2-LOW-S20_2	1	1/P	
6	X0-00966000	RR/E-5-SS	28	10/P	
7	6LK58410000	COL-RLR-23-6	2	1/P	
8	6LB39507100	PULLY-S2M28-6-SF-PIT_P	2	1/P	
9	6LE49743000	STOP-RING-6-5-POM	4	5/P	
10	6LL54504100	SHAFT-PDL-ALIGN-S20_2	1	1/P	
11	6LB12168100	PIN-2X10-PBF2	7	10/P	
12	6LL54402000	ASYS-SPOOL-PDL-3-S20	2	1/P	
13	6LL54200000	BUSH-6X8X3F-CUC-MTL_CAM	1	1/P	
14	6LB10020100	WHEEL-SNSR-PDL-VI_P	1	1/P	
15	6LL54401000	ASYS-SPOOL-PDL-2-S20	2	1/P	
17	6LL54400000	ASYS-SPOOL-PDL-1-S20	2	1/P	
18	X0-00059000	S/PAN/SWWS-M3X6-NI	2	10/P	
19	6LK01401000	MOTR-S-PDL-ALIGN-2	1	1/C	
20	C0-20495000	LG2A24BL1	1	1/C	
21	6LK58002000	BLT-40-S2M-140	1	1/P	
22	6LE49741000	BUSH-6X10X6F-POM	2	5/P	
23	F0-01811000	LWS-0711S-V0	2	5/P	
24	F0-01248000	ESC-0912	1	10/P	
25	6LH79100000	BUSH-6X8X3F-POM	1	1/P	
26	6LL54407000	ASYS-CLAMP2-R1-S20	1	1/P	
27	6LK58616000	ARM1-SF-RBT3	1	1/P	
28	6LK57805000	SPRING-CLAMP2-R	1	1/P	
29	6LL54408000	ASYS-CLAMP2-R2-S20	2	1/P	
30	6LL54406000	ASYS-CLAMP2-F1-S20	1	1/P	
31	6LK57804000	SPRING-CLAMP2-F	1	1/P	
32	6LK58618000	ARM2-SF-RBT3	1	1/P	
33	6LL54410000	ASYB-CLAMP2-C-S20	1	1/C	
34	6LK58619100	WHEEL-BUFFER-RBT3_P	3	1/P	
35	6LK58629000	ARM-CHUCK-ALIGN_N	3	1/P	
36	6LK57400000	GEAR-5S40-6	1	1/P	
37	6LK58630100	SFT-CLAMP-BUF-RBT3-PBF2	1	1/P	
38	6LK01400000	MOTR-S-PDL-ALIGN-RBT-2	1	1/C	
39	6LK58442000	ASYS-BRKT-MOTOR-END-CHUCK	1	1/P	
40	X0-02419000	S/TPS/FHEXM/R-3X6-ZU3	4	10/P	

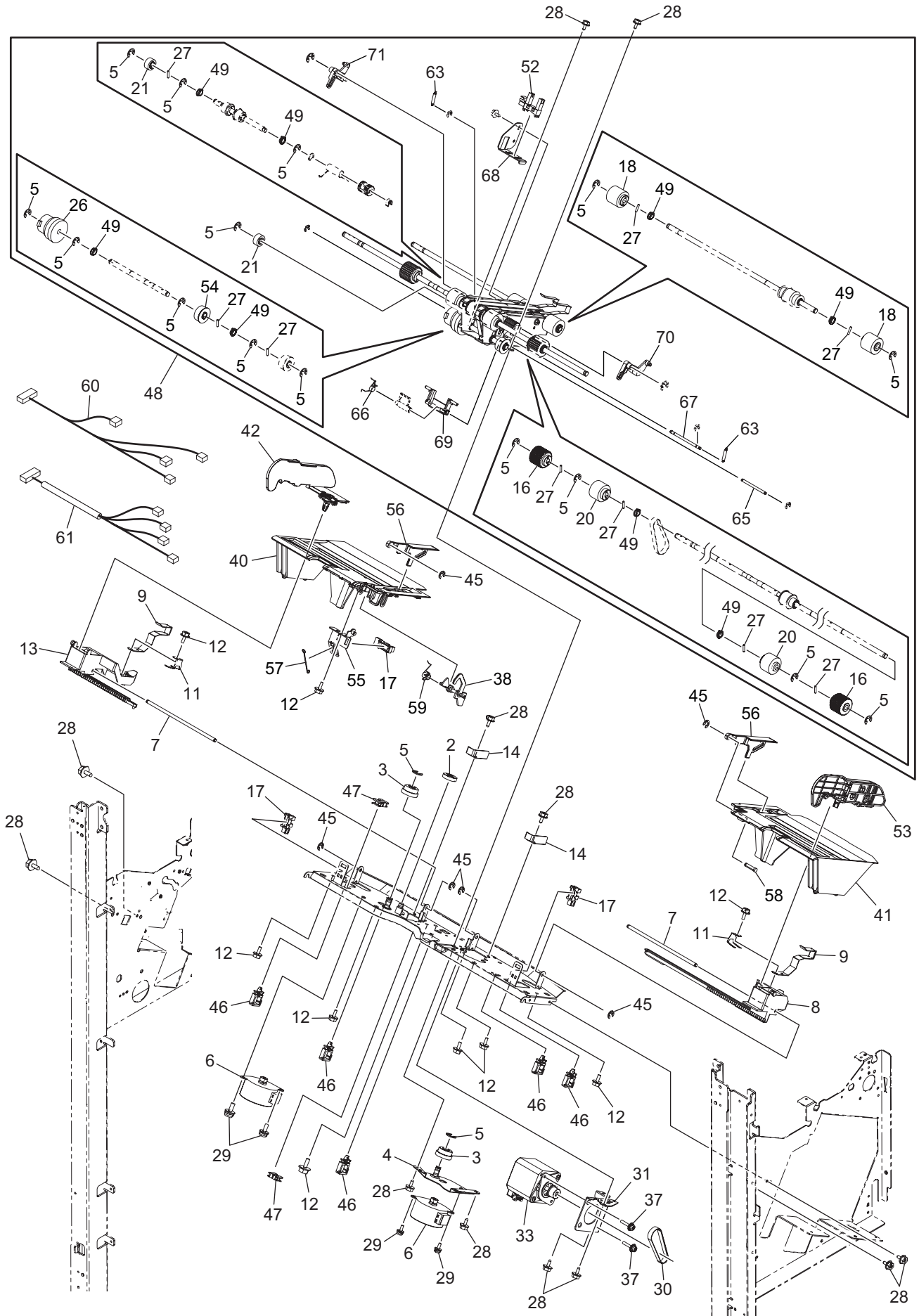


ITEM No.	PART No.	PART NAME	Q'TY / PAGE	Q'TY / PACK	REMARKS
1	6LB10937000	ASYS-FLAP-BU-C-F5330-PBF	1	1/D	
2	X0-00966000	RR/E-5-SS	4	10/P	
3	6LB10822000	PLT-SD-PIVOT-D-BU-C	1	1/P	
4	X0-02419000	S/TPS/FHEXM/R-3X6-ZU3	8	10/P	
5	6LB40716000	MYLAR-CVR-UP-T01	3	1/KP	
6	6LK62473000	HRNS-INLET-SEN-618	1	1/P	
7	6LB42801100	PIN-3X35-PIP-PBF2	10	1/P	
8	6LK58604000	FRM-SIDE-R-BU-C-RBT3	1	1/P	
9	6LB10890000	FILM2-SUPT-TRAY-BU-C	2	1/C	
10	X0-02247000	S/TPP/FHEXM-3X8-NI	17	10/P	
11	F0-00042000	UAMS-05S-2	1	5/P	
12	6LE49741000	BUSH-6X10X6F-POM	2	5/P	
13	6LB10889000	FILM1-SUPT-TRAY-BU-C	1	1/C	
14	6LK58603000	FRM-SIDE-F-BU-C-RBT3	1	1/P	
15	F0-01012000	T18R	2	5/P	
16	6LB10907100	TRAY-GUIDE-BU-C-F5330	1	1/PP	
17	6LB40718000	PLT-EARTH-FEED-U	1	1/P	
18	6LB10830000	SPG-UPR1-BU-C	4	1/P	
19	6LK58627100	ASYS-SOL-10-SL-BUF1_N	1	1/C	
20	6LK58600000	PLATE-EARTH-BUF-RBT3	1	1/P	
21	6LB10891000	FILM3-SUPT-TRAY-BU-C	1	1/C	
22	6LK01600000	CVR-UPPER-BU-C-2	1	1/PP	
23	X0-00050000	S/PAN/SWWP-M3X5-NI	4	10/P	
24	6LB10924100	RLR-EXIT-BU-C-GR-PLC_P	10	1/P	
25	6LK58624000	BRUSH2-C-BUF-UP-RBT3	1	1/KP	
26	6LK57801000	SPG-BTM-BU-C-RBT3	2	1/P	
27	6LB10893000	ASYS-BRKT-SOL-FLP-BU-C	1	1/P	
28	6LK58617000	BRUSH1-BUF-UP-RBT3	2	1/KP	
29	6LB12168100	PIN-2X10-PBF2	1	10/P	
30	6LK62443000	HRNS-PAPER-PATH-SEN-618	1	1/P	
31	F0-01493000	DS-02S	1	5/P	
32	6LH53768000	BUSH-6-NU4	2	1/P	
33	6LB40719100	PLT-CVR-UPPER-BU-RBT3	1	1/P	
34	6LK58400000	GEAR-10S20-6	1	1/P	
35	X0-02642000	S/TPP/FPAN-3X6-ZB3	4	10/P	
36	6LK01603000	BRUSH-TRAY-R-BU-C	1	1/KP	
37	6LK01602000	BRUSH-TRAY-F-BU-C	1	1/KP	
38	6LK58602000	BRKT2-SENSOR-RBT3	1	1/P	
39	C0-14695000	GP2A230LRSAF	2	1/C	
40	6LK58608000	BRKT-BUFFER-SENS-RBT3	1	1/P	
41	6LB30112000	FILM-TRAY-GUIDE-F-PIT	1	1/C	
42	6LB10831000	SPG-UPR2-BU-C	4	1/P	
43	6LK58601000	CVR-BOTTOM-BU-C-RBT3	1	1/D	
44	6LB10909000	BRKT-FLPA-BU-C	1	1/P	
45	6LB10826000	SPG-FLP-BU-C	1	1/P	
46	6LH78722100	RLR-FEED-TRY-BU-C-RB-PBF2	1	1/KP	
47	6LB30113000	FILM-TRAY-GUIDE-R-PIT	1	1/C	

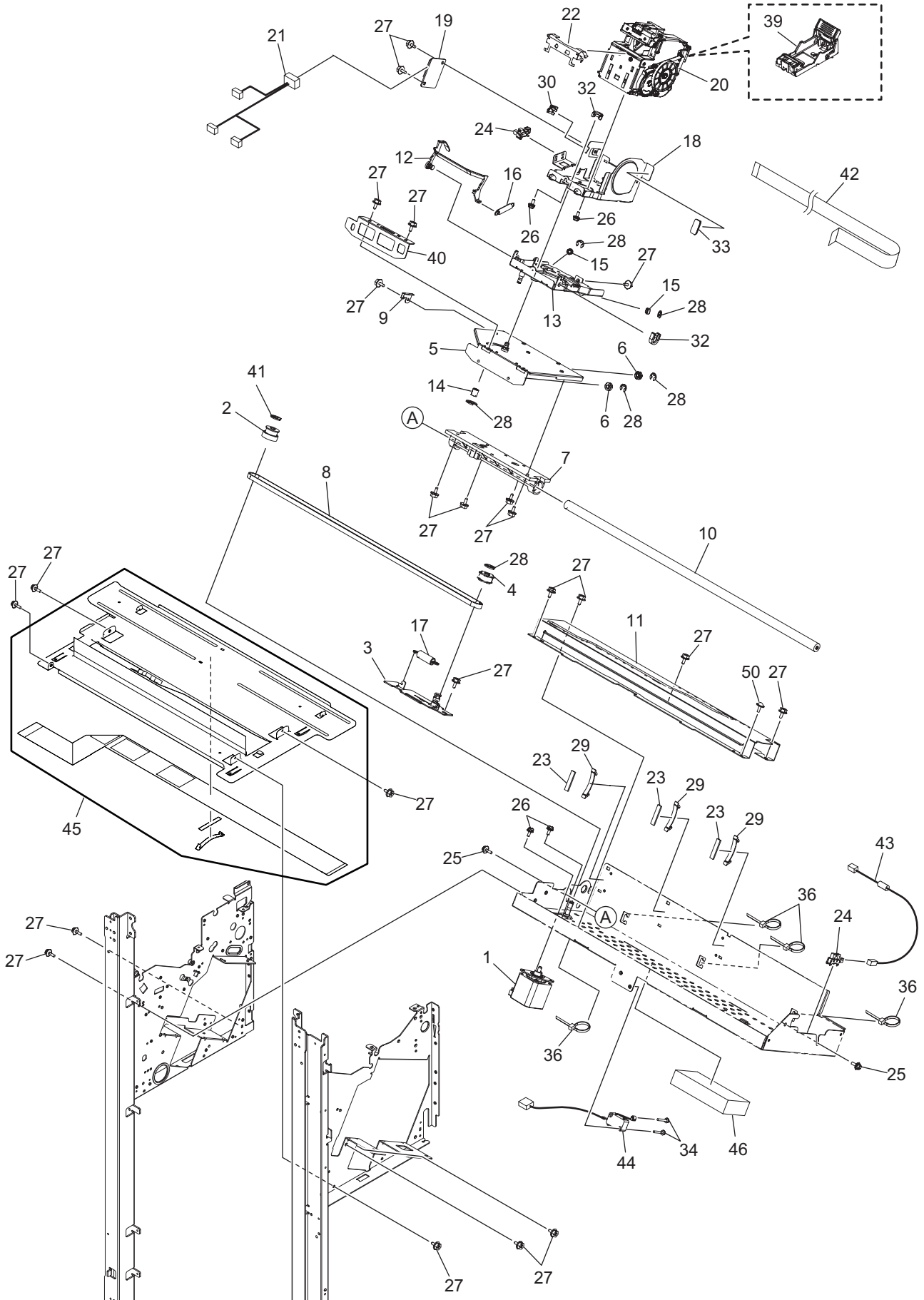




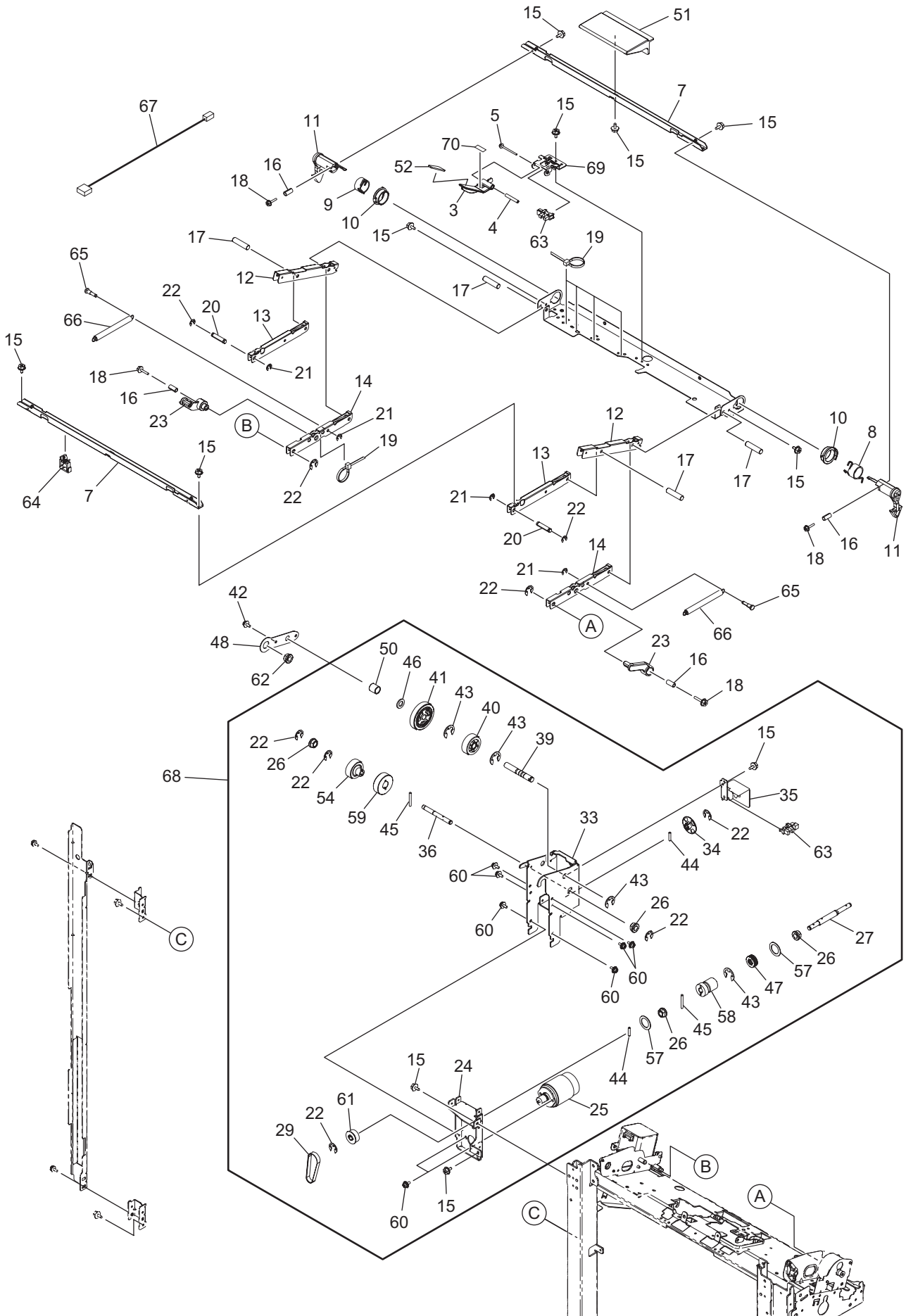
ITEM No.	PART No.	PART NAME	Q'TY / PAGE	Q'TY / PACK	REMARKS
1	6LK58813000	LEVER-ROL-BUF	1	1/P	
2	6LK58863000	GUIDE-ASST-ARM-BUF-2	1	1/C	
3	6LK58857000	ASYS-GUIDE-ASST-ARM-CAM	2	1/P	
4	6LK58849000	ASYB-TRAY-F-BUF	1	1/PP	
5	6LK58850000	ASYB-TRAY-R-BUF	1	1/PP	
6	X0-00963000	RR/E-2-SS	2	10/P	
7	6LB10899000	RLR-D15XL20-BU-C	2	1/P	
8	6LK57807000	SPG-NS-PRESS-ROL-RBT3	1	1/P	
9	6LK58839000	BRUSH1-LEV-ROL-RBT3	1	1/KP	
10	6LK57808000	SPG-REV-PLT-LRV-ROL	1	1/P	
11	6LK58866100	SHAFT-3XLONG-RBT3-PBF2	1	1/P	
12	6LK57803000	SPG1-ASST-ARM-BUF	1	1/P	
13	6LB08617100	PLY-MOTOR-P	1	1/P	
14	6LK58870100	SFT-GEAR-EXT-RLR-PBF2	1	1/P	
15	X0-02419000	S/TPS/FHEXM/R-3X6-ZU3	8	10/P	
16	6LB09824100	ASYS-PLT-TENSSION-BUF_N	1	1/P	
17	6LH79913000	ASYS-TRAY-BELT-BUF-RBT	1	1/KP	
18	X0-00965000	RR/E-4-SS	1	10/P	
19	X0-02248000	S/TPP/FHEXM-3X10-NI	4	10/P	
20	6LK58802000	PLATE-TRAY-UP-F-RBT3	1	1/P	
21	6LK58828100	ASYS-PLT-GUI-AS-F-RBT3_N	1	1/P	
22	X0-02247000	S/TPP/FHEXM-3X8-NI	2	10/P	
23	6LK58827100	ASYS-PLT-GUI-AS-R-RBT3_N	1	1/P	
24	6LH79924000	SPG-TENSSION-BUF-RBT	1	1/P	
25	C0-20495000	LG2A24BL1	2	1/C	
26	6LK58825000	PLT-GUIDE-AST-SD-RBT3	2	1/P	
27	6LK58823000	ACTR-SEN-ASST-ARM	1	1/P	
28	6LK58821000	CAM-ASST-ARM-BUF-F	1	1/P	
29	6LK58822000	CAM-ASST-ARM-BUF-R	1	1/P	
30	X0-00966000	RR/E-5-SS	20	10/P	
31	6LB12168100	PIN-2X10-PBF2	9	10/P	
32	6LK58867100	SHAFT-DRV-CAM-ASST-PBF2	1	1/P	
33	6LK57401000	GEAR-5S40-PS2M18-6	1	1/P	
35	6LK58864000	GLOMET-6X8X11-YA	2	5/P	
36	6LK58869100	SFT-RLR-EXIT-BUF-2-PBF2	1	1/P	
37	6LB08622000	PULLY-S2M18-6-SF	3	1/P	
38	F0-02079000	LF-1060ZZHP0P25LY727	2	1/P	
39	6LE49741000	BUSH-6X10X6F-POM	2	5/P	
40	X0-00964000	RR/E-3-SS	2	10/P	
41	6LK58002000	BLT-40-S2M-140	1	1/P	
42	6LK58868100	SFT-RLR-EXIT-BUFFER-PBF2	1	1/P	
43	6LK57600000	ASYS-RLR-BUF	2	1/P	
44	6LK58871100	SFT-TRY-BUF-RBT3-PBF2	1	1/P	
45	6LL54200000	BUSH-6X8X3F-CUC-MTL_CAM	3	1/P	
46	6LK58824000	LINK-RLR-BUF	1	1/P	
47	6LK58000000	BLT-40-S2M-120	1	1/P	
48	6LK58820000	ARM-E-RLR-BUF-RBT3	1	1/P	
49	6LB39507100	PULLY-S2M28-6-SF-PIT_P	1	1/P	
50	6LK62464000	HRNS-CPL-618	1	1/P	
51	6LK62446000	HRNS-TOP-SEN-618	1	1/P	
52	X0-00060000	S/PAN/SWWP-M3X6-NI	2	10/P	
54	6LH79915000	DAMPER-RLR-LIFT-BUF	2	1/P	



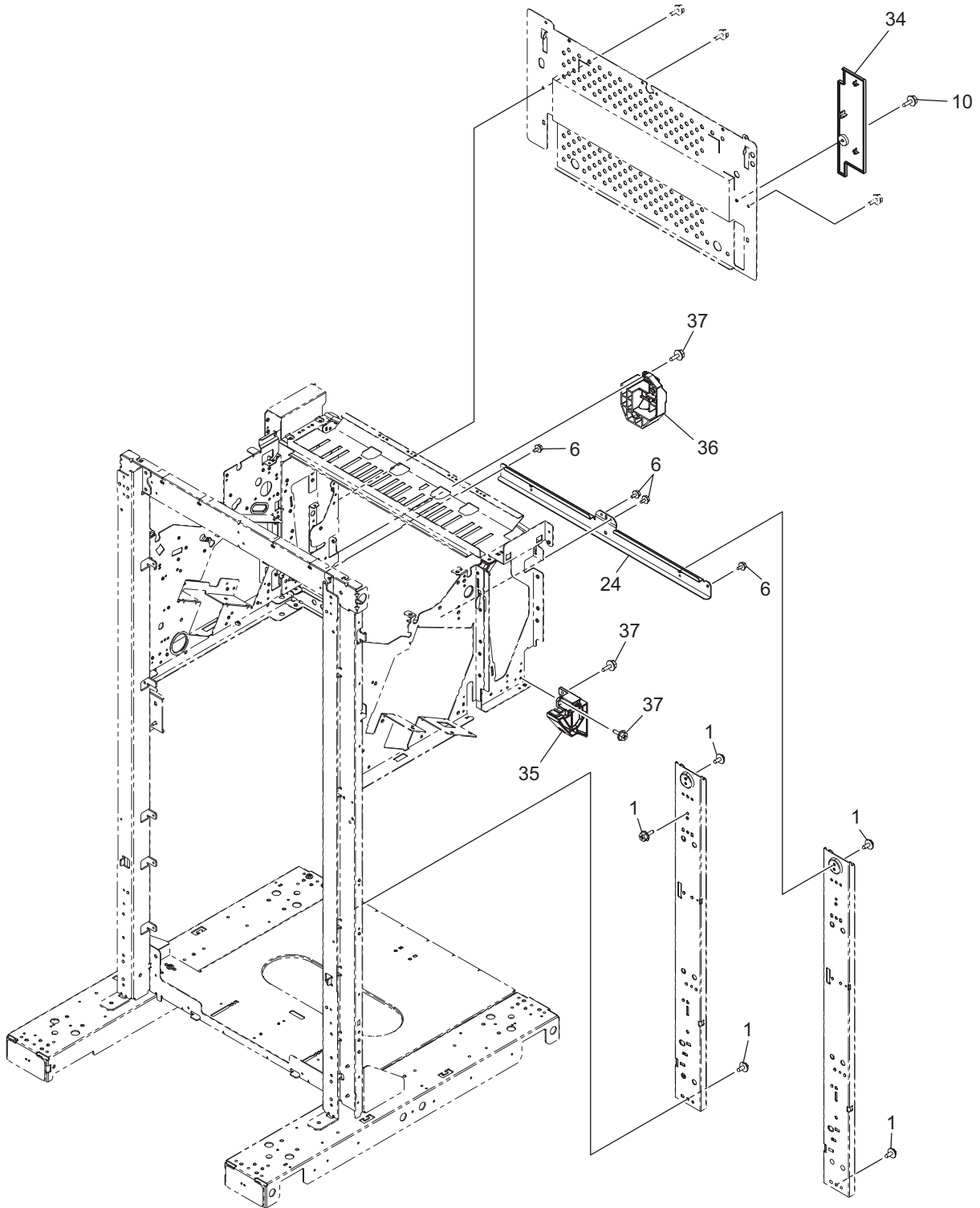
ITEM No.	PART No.	PART NAME	Q'TY / PAGE	Q'TY / PACK	REMARKS
2	6LB08600000	GEAR-10S16-6-SO	1	1/P	
3	6LB39505100	GEAR-5S40-10S16-6-PIT_P	2	1/P	
4	6LB10214100	ASYS-BRKT-MOTR-SO_N	1	1/P	
5	X0-00965000	RR/E-4-SS	17	10/P	
6	6LK01401000	MOTR-S-PDL-ALIGN-2	2	1/C	
7	6LB10230000	SHAFT-GUIDE-P-SIDE-PBF1	2	1/P	
8	6LB10208000	RACK-GUIDE-P-SIDE-FR	1	1/KP	
9	6LL54703000	ASYS-PLT-STOP-S20	2	1/P	
11	6LB10222000	PLATE-EARTH-SO	2	1/C	
12	X0-02246000	S/TPP/FHEXM-3X6-NI	9	10/P	
13	6LB10209000	RACK-GUIDE-P-SIDE-RR	1	1/KP	
14	6LB41108000	PLATE-SLIDE-GUIDE	2	1/P	
16	6LB39706000	ASYS-RLR-SF-22R5	2	1/P	
17	C0-20495000	LG2A24BL1	3	1/C	
18	6LB10609000	ASYS-RLR-SF	2	1/P	
20	6LK59009000	ASYS-RLR-SF-22R5-RBT3	2	1/P	
21	6LB08621000	GEAR-10S14-6-DV	2	1/P	
26	6LB08406000	CLUCH-26G-6-10S30	1	1/D	
27	6LB12168100	PIN-2X10-PBF2	9	10/P	
28	X0-02419000	S/TPS/FHEXM/R-3X6-ZU3	12	10/P	
29	X0-00059000	S/PAN/SWWS-M3X6-NI	4	10/P	
30	6LB39510000	BLT-60S2M138-SF-PIT	1	1/P	
31	6LH80102000	BRKT-MOTR-SF-RBT	1	1/P	
33	6LK59040000	MOTR-PR-TRAY-RBT3-M	1	1/C	
37	X0-00060000	S/PAN/SWWP-M3X6-NI	2	10/P	
38	6LK59022000	ACTR-P-SNSR-SF-RBT3	1	1/P	
40	6LH80129100	ASYS-TABLE-R-PR-TRAY-RBT3	1	1/PP	
41	6LH80128100	ASYS-TABLE-F-PR-TRAY-RBT3	1	1/PP	
42	6LH80151100	ASYB-PLT-JOG-R-PR-TRAY-BK	1	1/D	
45	X0-00964000	RR/E-3-SS	6	10/P	
46	F0-01811000	LWS-0711S-V0	5	5/P	
47	F0-01493000	DS-02S	2	5/P	
48	6LL54707000	ASYB-SHEAF-FEED-S20	1	1/C	
49	6LL54200000	BUSH-6X8X3F-CUC-MTL_CAM	8	1/P	
52	C0-15544000	LG285D1	1	1/P	
53	6LH80150100	ASYB-PLT-JOG-F-PR-TRAY-BK	1	1/D	
54	6LB39507100	PULLY-S2M28-6-SF-PIT_P	1	1/P	
55	6LK59005100	ASYS-BRKT-P-SNSR-SF-RBT_N	1	1/P	
56	6LK59017000	GUIDE-PR-TRAY-RBT3	2	1/P	
57	6LK57800000	SPG-BRKT-SNSR-SF-RBT3	1	1/P	
58	6LK59055100	SFT-BRKT-SNSR-SF-RB3-PBF2	1	1/P	
59	6LK59044000	SPG-ACTR-P-SNSR-SF-RBT3	1	1/P	
60	6LK62435000	HRNS-EXIT-TRAY-MTR-618	1	1/P	
61	6LK62436000	HRNS-EXIT-TRAY-SEN-618	1	1/P	
63	6LK59029000	SPG-ARM-LINK-SF-RBT3	2	1/P	
65	6LK59053100	SHAFT-LINK-SF-RBT3-PBF2	1	1/P	
66	6LK59028000	SPG-ACTR-LINK-RBT3	1	1/P	
67	6LK59054100	SFT-SPG-LINK-SF-RBT3-PBF2	1	1/P	
68	6LB41121000	BRKT-ARM-OPPO	1	1/P	
69	6LK59020000	ACTR-LINK-SF-RBT3	1	1/P	
70	6LK59018000	ARM-LINK-F-SF-RBT3	1	1/P	
71	6LK59019000	ARM-LINK-R-SF-RBT3	1	1/P	

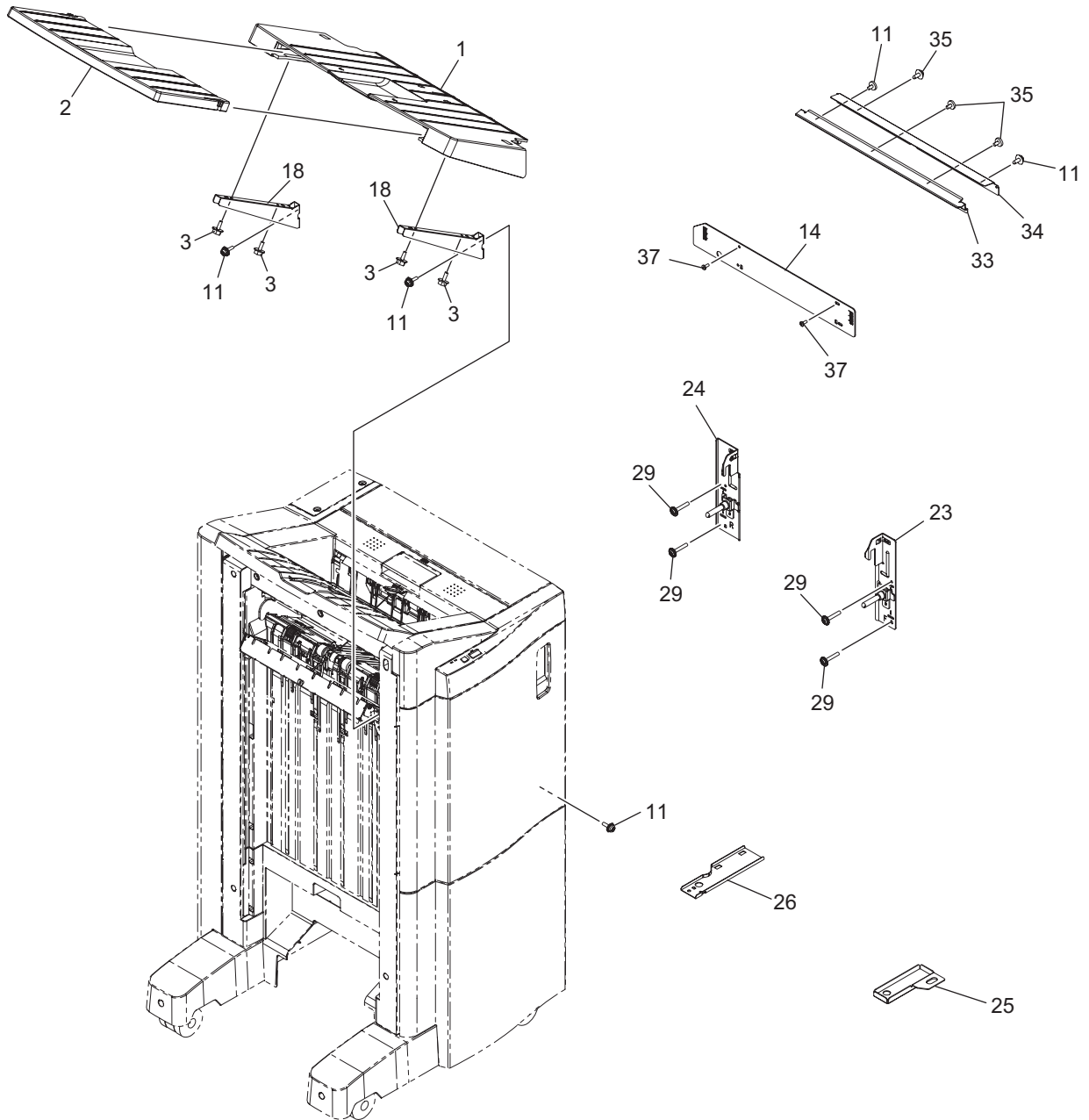


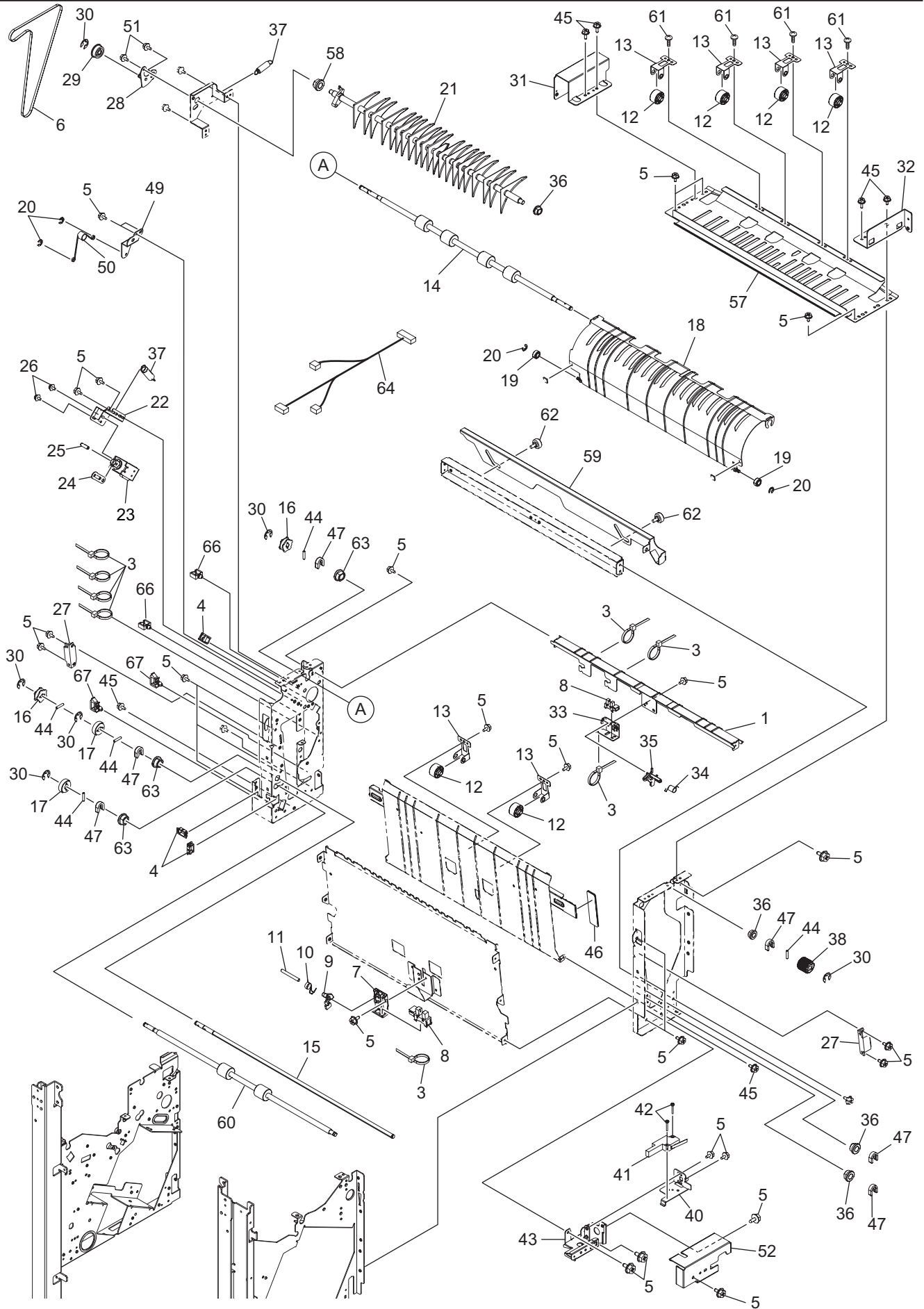
ITEM No.	PART No.	PART NAME	Q'TY / PAGE	Q'TY / PACK	REMARKS
1	6LK59210000	MOTR-STAPLE-RBT3-M	1	1/C	
2	6LK59200000	PLY-S3M20-GEAR-6S40	1	1/P	
3	6LB10460100	ASYS-PLT-PLY-STPL_N	1	1/P	
4	6LB08619100	PLY-CARR-STPL_P	1	1/P	
5	6LL54802000	ASYS-CARR-STPL-2-S20	1	1/P	
6	6LB08804000	RLR-CARR-STPL	2	1/P	
7	6LB10450000	ASYS-S-CARRIER	1	1/P	
8	6LL54814000	BLT-50S3M-900-SP	1	1/P	
9	6LB10431000	PLATE-EARTH-STPL	1	1/P	
10	6LB10500100	SHAFT-CARR-STPL-PBF2	1	1/KP	
11	6LB10403000	PLATE-TURN-RAIL	1	1/P	
12	6LB10425000	ACTR-STPL	1	1/C	
13	6LL54805000	ASYS-BASE-STPL_S20	1	1/P	
14	6LB08806100	RLR-SLIDE-STPL_P	1	1/P	
15	6LB08805000	RLR-BASE-STPL	2	1/P	
16	6LB09011000	SPG-ACRT-STPL	1	1/P	
17	6LL54100000	SPG-CARR-STPL-S20	1	1/P	
18	6LL54810000	PLATE-TURN-STPL_S20	1	1/P	
19	6LB12404000	PWA-SPR-101	1	1/C	
20	6LL54818000	STAPLE_65_EH-C600T	1	1/C	
21	6LB12424000	HRNS-SPRCAR	1	1/P	
22	6LL54811000	PLATE-GID-HOLD-ARM-S20	1	1/C	
23	6LB10404000	RUBR-STPL	3	5/P	
24	C0-20495000	LG2A24BL1	2	1/C	
25	X0-00077000	S/PAN/SWWP-M3X8-NI	2	10/P	
26	X0-00059000	S/PAN/SWWS-M3X6-NI	4	10/P	
27	X0-02419000	S/TPS/FHEXM/R-3X6-ZU3	23	10/P	
28	X0-00964000	RR/E-3-SS	6	10/P	
29	F0-01286000	FCR-30	3	5/P	
30	F0-01493000	DS-02S	1	5/P	
32	6LE49743000	STOP-RING-6-5-POM	2	5/P	
33	6LH83031000	LABEL-GREEN-1	1	5/P	
34	X0-02060000	S/TPS/PAN-3X16-ZU3	2	10/P	
36	F0-01012000	T18R	4	5/P	
39	6LL56554000	EH-C600T-CARTRIDGE	1	1/C	
40	6LH80305000	PLT-GUIDE-SUPPT-SW-STAPLE	1	1/P	
41	X0-00966000	RR/E-5-SS	1	10/P	
42	6LK62647000	HRNS-SPRFFC-618JS	1	1/C	
43	6LK62448000	HRNS-SPRSFTHP-SEN-618	1	1/P	
44	6LK62527000	HRNS-SPRSFTSW-618	1	1/P	
45	6LL55501000	ASYB-CVR-PLT-TOP-RS20	1	1/PP	
46	6LB09619000	ABSORBER-CVR-FEED-LOW-1	1	1/P	
50	6LA08935000	SCR-M3X6BISR-NI	1	10/P	



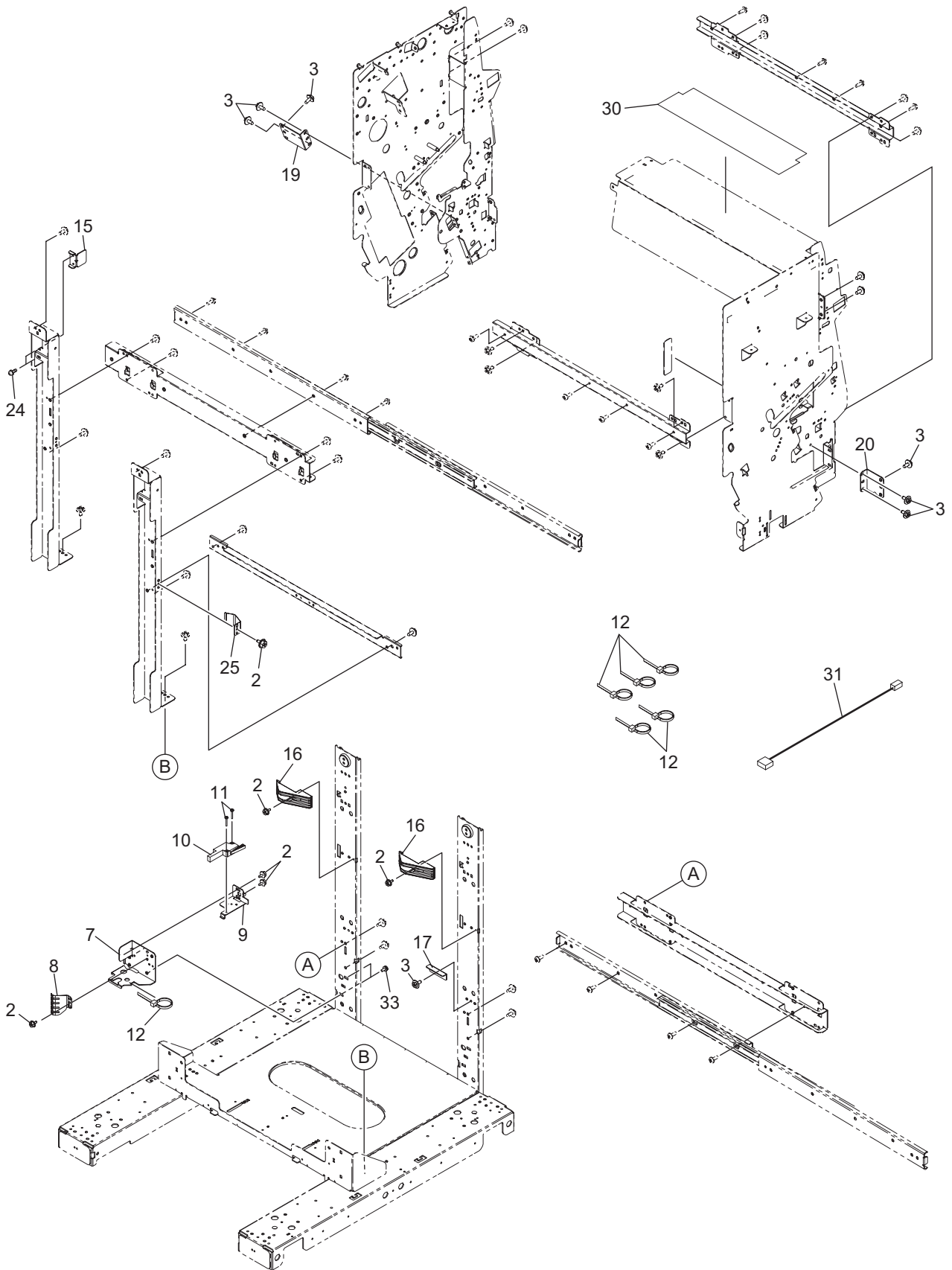
ITEM No.	PART No.	PART NAME	Q'TY / PAGE	Q'TY / PACK	REMARKS
3	6LB10801100	ACT-TRAY-BU-C_P	1	1/P	
4	F0-01485000	3382330-30250	1	5/P	
5	X0-02098000	S/PAN/SWWP-M3X30-NI	1	10/P	
7	6LB10820000	LVR-PLT-SFT-BU-C	2	1/P	
8	6LB10828000	SPG-LVR-OPN-F-BU-C	1	1/P	
9	6LB10829000	SPG-LVR-OPN-R-BU-C	1	1/P	
10	6LB10802000	BUSH-LEVER-BU-C	2	5/P	
11	6LK59807000	LEVER-BU-C-S18	2	1/P	
12	6LB10821000	PLATE-LINK-BU-C	2	1/P	
13	6LB41914000	LINK-TRAY-PIT-BU-C	2	1/P	
14	6LB10819100	LINK-TRAY-BU-1	2	1/P	
15	X0-02419000	S/TPS/FHEXM/R-3X6-ZU3	11	10/P	
16	F0-01484000	3382330-30090	4	5/P	
17	6LB12171100	PIN-5X20-PBF2	4	10/P	
18	X0-02595000	S/TPD3/FHEXM-3X12-ZU3	4	10/P	
19	F0-01012000	T18R	5	5/P	
20	6LB10935100	SD-PIVOT-D-BU-C-PBF2	2	1/P	
21	X0-00964000	RR/E-3-SS	4	10/P	
22	X0-00966000	RR/E-5-SS	9	10/P	
23	6LB10807100	LINK-COV-BTM-BU-C_P	2	1/P	
24	6LH80510000	STAY-BOX-GEAR-RBT	1	1/P	
25	6LK59408100	ASYS-DRV-MOTR-TRAY-RBT3_N	1	1/C	
26	6LH53768000	BUSH-6-NU4	4	1/P	
27	6LK59426100	SHAFT-WORM-GEAR-RBT3-PBF2	1	1/P	
29	6LB39508000	BLT-60S2M130-PIT	1	1/P	
33	6LK59401000	BOX-GEAR-DRV-RBT3	1	1/P	
34	6LB41509100	DISC-SNSR-TD-PIT_P	1	1/P	
35	6LB41508000	BOX-SNSR-DISC-TD-PIT	1	1/P	
36	6LK59425100	SHAFT-WORM-WHL-RBT3-PBF2	1	1/P	
39	6LK59424100	SFT-IDL-DRV-TRAY-RB3-PBF2	1	1/P	
40	6LB39502000	GEAR-12R5S23-8-PIT	1	1/P	
41	6LB39500000	GEAR-12R5S33-8-PIT	1	1/P	
42	X0-00060000	S/PAN/SWWP-M3X6-NI	1	10/P	
43	X0-00968000	RR/E-7-SS	4	10/P	
44	6LB12168100	PIN-2X10-PBF2	2	10/P	
45	X0-01533000	P/PRL/AH7-2X16-SS	2	10/P	
46	X0-02351000	W/PL/SJ0-8-NI	1	5/P	
47	F0-01972000	CRT6-12-GV22	1	1/P	
48	6LB41507000	PLATE-BOX-G-R-PIT	1	1/P	
50	6LB39901000	SPG-DRV-TRAY-PIT	1	1/P	
51	6LB10806D00	LEVER-TRAY-BU-C-SSAJB	1	1/P	
52	6LB30114100	DAMPER-TRAY-BU-C-PIT	1	1/P	
54	6LB11024000	GEAR-12R5S21-6-TRAY	1	1/P	
57	6LB11071000	RUBB-SPCR-TRAY	2	5/P	
58	6LK59421000	WORM-GEAR-TRAY-RBT3-PBF	1	1/P	
59	6LK57402000	WORM-WHEEL-10-6-TRAY-T	1	1/P	
60	X0-00077000	S/PAN/SWWP-M3X8-NI	8	10/P	
61	6LJ87004000	PULLY-METAL-S2M30-6-SF	1	1/P	
62	4400802080	BUSH-8	1	5/P	
63	C0-20495000	LG2A24BL1	2	1/C	
64	F0-01811000	LWS-0711S-V0	1	5/P	
65	6LB10934100	SD-LINK-TRAY-BU-C-PBF2	2	1/P	
66	6LB10930000	SPG-LINK-TRAY	2	1/P	
67	6LB42946000	HRNS-FIN1-B-PTJ	1	1/P	
68	6LL54905000	ASYB-BOX-GEAR-TRAY-RS20	1	1/C	
69	6LK59801100	ACT-PLT-BU-1	1	1/P	
70	6LB41922000	FELT-TRAY-BU-C-PIT	1	1/P	



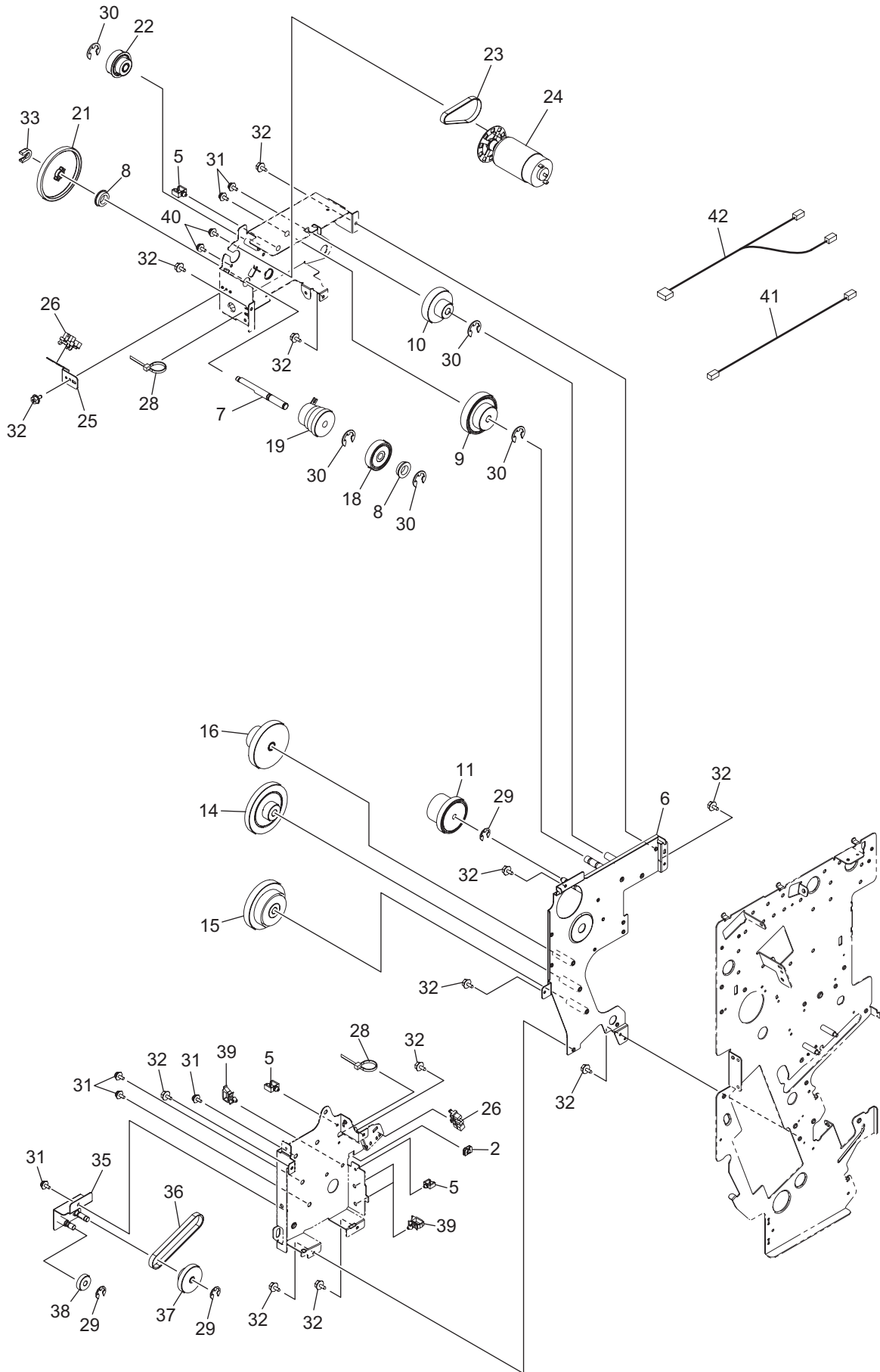


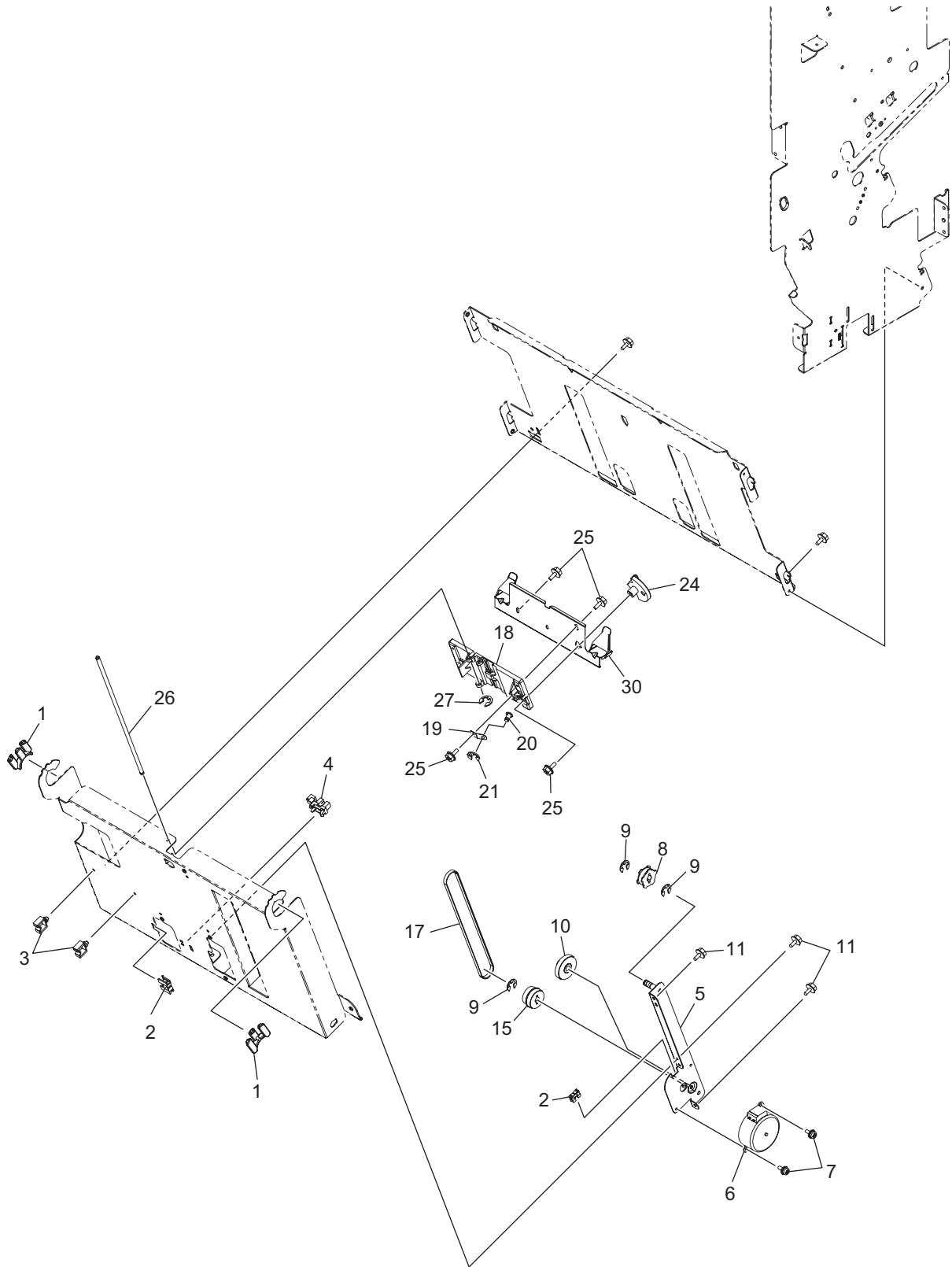


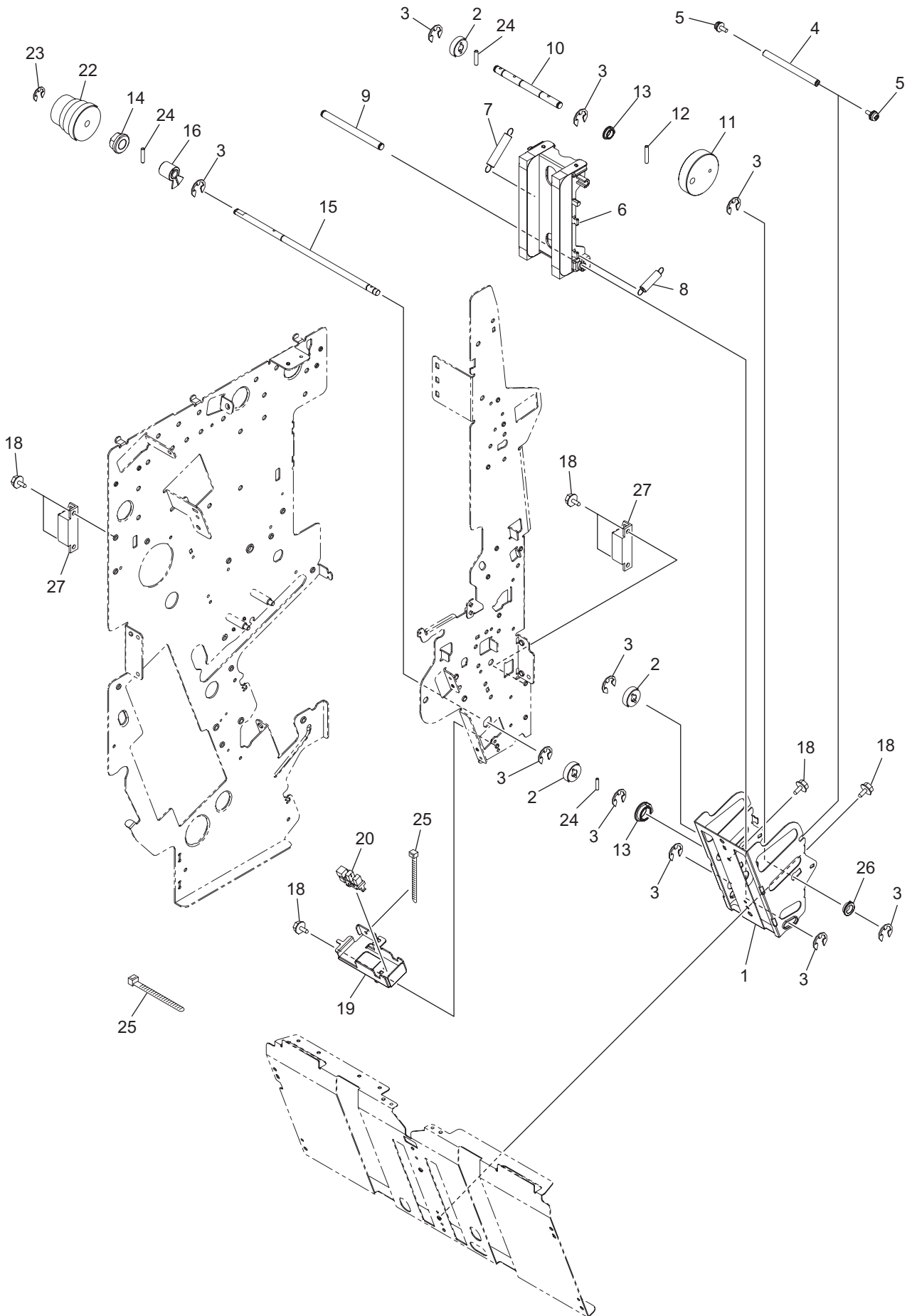
ITEM No.	PART No.	PART NAME	Q'TY / PAGE	Q'TY / PACK	REMARKS
1	6LH81309000	GUIDE-JCT-IN-L-RBT	1	1/P	
3	F0-01012000	T18R	8	5/P	
4	F0-00045000	EDS-1	3	10/P	
5	X0-02419000	S/TPS/FHEXM/R-3X6-ZU3	29	10/P	
6	6LB42527000	BLT-40S2M-520-JCT-PIT	1	1/P	
7	6LL55903000	PLT-SEN-A-BU-C	1	1/P	
8	C0-20495000	LG2A24BL1	2	1/C	
9	6LB42542000	ACT-SENS-PIT	1	1/P	
10	6LB10824000	SPG-AC-BU-C	1	1/C	
11	6LB12170100	PIN-3X25-PBF2	1	10/P	
12	6LB29933100	RLR-D20XL11-SDL_P	6	1/P	
13	6LB42510000	PLATE-RLR-JB-PIT	6	1/P	
14	6LH78723000	RLR-FEED-1-JBP-RB-SG-PBF1	1	1/KP	
15	6LB42573000	SHAFT-IDLE-JCT-PIT-PBF1	1	1/P	
16	6LB08609000	PULLY-S2M30-6-5	2	1/P	
17	6LB08608100	GEAR-FEED-LOW-6_P	2	1/P	
18	6LB42521100	ASYS-GUIDE-F3-JB-PIT_N	1	1/KP	
19	6LB08805000	RLR-BASE-STPL	2	1/P	
20	X0-00964000	RR/E-3-SS	4	10/P	
21	6LB42575000	FLAP-JBP-PIT-F5330-PBF	1	1/KP	
22	6LB10893000	ASYS-BRKT-SOL-FLP-BU-C	1	1/P	
23	6LB08401000	SOL-10-SL-BUF	1	1/D	
24	6LB10846100	ASYS-SOL-LINK-BU-C_N	1	1/P	
25	X0-01016000	P/SPW/AW-3X10-SS	1	10/P	
26	X0-00050000	S/PAN/SWWP-M3X5-NI	2	10/P	
27	F0-01393000	CA-0124B	2	1/P	
28	6LB42515100	ASYS-TENS-JBP-PIT_N	1	1/P	
29	6LB08610100	PULLY-TEN-S2M30-6-5_P	1	1/P	
30	X0-00966000	RR/E-5-SS	6	10/P	
31	6LB42126000	BRKT-TOP-P-R	1	1/P	
32	6LB42127000	BRKT-TOP-P	1	1/P	
33	6LB10007000	BRKT-SNSR-RLR-1	1	1/P	
34	6LB09015000	SPG-FEED-SNSR-1	1	1/P	
35	6LB09602100	ACTR-SNSR-RLR-1_P	1	1/C	
36	6LE49741000	BUSH-6X10X6F-POM	4	5/P	
37	6LB10826000	SPG-FLP-BU-C	2	1/P	
38	6LB42518100	KNOB-PIT2	1	1/P	
40	6LK60029000	PLT-TURN-SNSR-S18	1	1/P	
41	E0-14498000	D3V-162-3C26	1	1/D	
42	X0-02060000	S/TPS/PAN-3X16-ZU3	2	10/P	
43	6LK60028000	BRKT-DOOR-SNSR-S18	1	1/P	
44	6LB12168100	PIN-2X10-PBF2	5	10/P	
45	X0-02420000	S/TPS/FHEXM/R-3X8-ZU3	6	10/P	
46	6LJ90414000	LABEL-GREEN-RBT2	1	1/P	
47	6LE49743000	STOP-RING-6-5-POM	6	5/P	
49	6LB42555100	ASYS-HLD-SPG-FRM-PIT_N	1	1/P	
50	6LB42557000	SPG-CLOSE-JBP-RER	1	1/P	
51	X0-00060000	S/PAN/SWWP-M3X6-NI	2	10/P	
52	6LK58448000	PLT-F-SNSR-PIT-S18	1	1/P	
57	6LJ87800000	ASYS-GUIDE-JCT-IN-U-RBT-2	1	1/D	
58	6LH53768000	BUSH-6-NU4	1	1/P	
59	6LH81313000	LEVER-LOCK-RBT	1	1/P	
60	6LH78724000	RLR-FED-1-JBP-RBT2SG-PBF1	1	1/KP	
61	X0-00426000	S/BID-M3X4-NI	4	10/P	
62	6LB09432000	SCREW-LEVER-M3_6	2	1/P	
63	6LE49739000	BUSH-6X10X6F-SBK	3	5/P	
64	6LK62452000	HRNS-JCT-SEN-618	1	1/P	
66	F0-01250000	MSB-1207	2	5/P	
67	F0-01811000	LWS-0711S-V0	2	5/P	

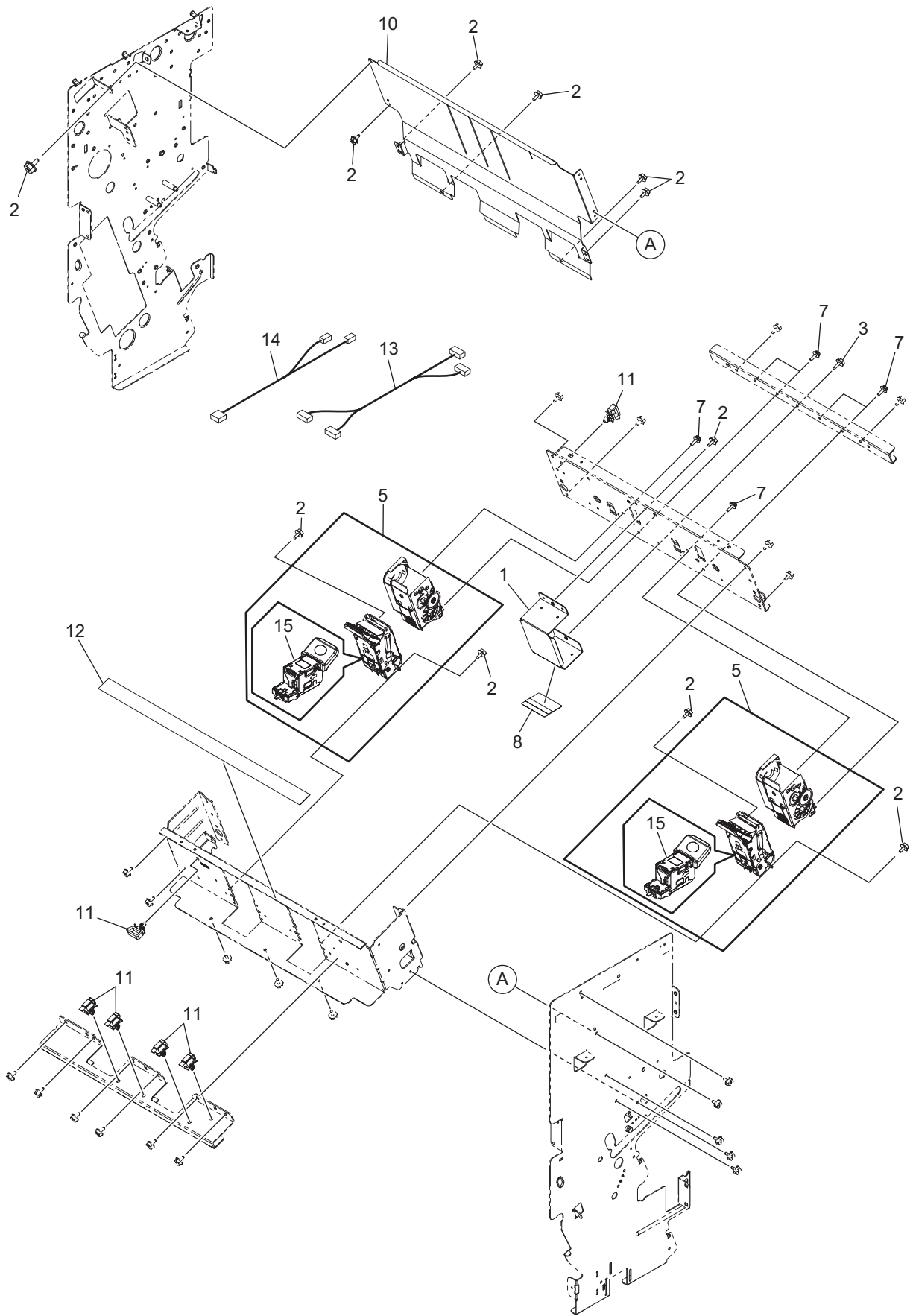


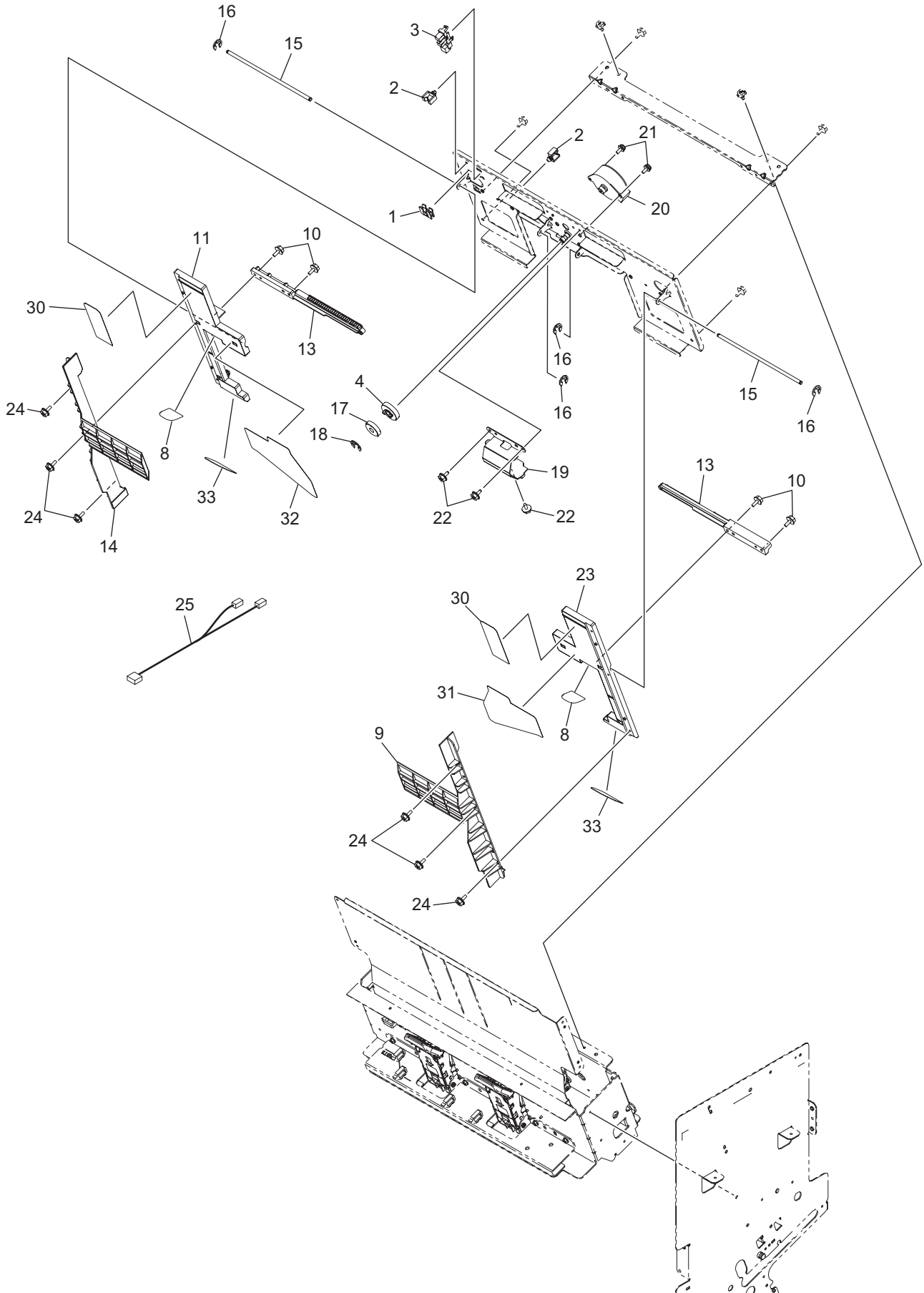
ITEM No.	PART No.	PART NAME	Q'TY / PAGE	Q'TY / PACK	REMARKS
1	6LB29917000	RAIL-BLADE-FD-R	2	1/P	
2	X0-02419000	S/TPS/HEX/MR-3X6-ZU3	34	10/P	
3	6LB29901000	BRKT8-PLT-FOLD-SDL	1	1/P	
4	F0-01811000	LWS-0711S-V0	10	5/P	
5	6LB29603000	BLKT-STAPLE-MOUNT-SDL	1	1/P	
6	F0-00042000	UAMS-05S-2	4	5/P	
7	6LB30202000	PLT-SEN-SLIDE-SDL	1	1/P	
8	C0-20495000	LG2A24BL1	1	1/C	
9	6LB30203000	BRKT-SEN-STAY-SDL	1	1/P	
10	6LB30204000	SPG-ACTR-SLIDE-SDL	2	1/P	
11	4406343540	SCREW-SOCKET	2	1/P	
12	X0-00060000	S/PAN/SWWP-M3X6-NI	1	10/P	
13	F0-01012000	T18R	1	5/P	
14	6LH78725000	RLR-FOLD-MAIN-RBT-2-PBF1	1	1/KP	
15	6LH83029000	LABEL-GREEN-2-SDL	2	1/P	
16	6LB29911000	ARM3-FOLD-ROL-SDL	2	1/P	
17	6LB29916100	LINK1-FOLD-ROL-SDL_P	2	1/P	
18	X0-02247000	S/TPP/HEX/M-3X8-NI	4	10/P	
19	6LH78726000	RLR-FOLD-UPR-RBT-SG-PBF1	1	1/KP	
20	6LB29903000	PLT1-FOLD-RER-SDL	1	1/P	
21	6LB29902000	PLT1-FOLD-FRT-SDL	1	1/P	
22	F0-01390000	LNR-1680HHRP0P15LY13	4	1/P	
23	6LB29927100	GEAR-25S16-8-SDL_P	2	1/P	
24	X0-01533000	P/PRL/AH7-2X16-SS	4	10/P	
25	6LK61722000	PLATE-BLADE-RBT3	1	1/KP	
26	6LB29912000	PLATE-COV-BLADE	1	1/KP	
27	6LB30147100	SHAFT-BLADE-FOLD-PBF2	1	1/P	
28	6LB29977100	ASYS-BRACKET5-SDL_N	2	1/P	
29	6LB29978100	ASYS-LINK-FOLD-FR-SDL_N	1	1/P	
30	6LH53768000	BUSH-6-NU4	2	1/P	
31	X0-00966000	RR/E-5-SS	2	10/P	
32	6LB29979100	ASYS-LINK-FOLD-RR-SDL_N	1	1/P	
34	6LB30144100	SHAFT-BLADE-CAM-PBF2	1	1/P	
35	6LB29930000	CAM-BLADE-SDL	2	1/P	
36	6LB30044000	SPG-E-7R6XR6X42R-SDL2	2	1/P	
37	6LB12051000	SPG-HRG-P	2	1/P	
38	6LB29919200	PLT5-FOLD-SENS-SDL-SS	1	1/P	
39	FGF-0003001	PIN ROUND HEAD EJECTOR	1	1/P	
40	6LB28416000	PLT-UNIT-SUPT-SDL	1	1/P	
41	6LB28426000	BRKT-UNIT-SUPT-SDL	1	1/P	
42	6LB28521100	SFT-UNIT-SUPT-SDL-PBF2	1	1/P	
43	6LB28428000	SPG-UNIT-SUPT-SDL	1	1/P	
44	X0-00965000	RR/E-4-SS	2	10/P	
45	X0-00968000	RR/E-7-SS	9	10/P	
46	41306265000	STOP RING	7	1/P	
47	6LB09210100	PIN-2X12-PBF2	1	10/P	
48	6LB30234100	PULLY-S3M20-Y01-SDL_P	1	1/P	
49	6LL56220000	PWA-FIN-SDL-666	1	1/SB	
50	6LB30043000	SPG-E-14X1R6X45R6R-SDL1	2	1/P	
51	6LB30227100	ASYS-ACTR-TRAY-SDL_N	1	1/P	
52	6LB30226000	SPG-TRAY-SEN-Y01-SDL	1	1/P	
53	6LB30223000	ACTR-TRAY-LINK-SDL	1	1/P	
54	6LB30224100	ACTR-EXT-TRAY-Y01-SDL_P	1	1/P	
55	6LB30225200	ARM-ACTR-TRAY-SDL-SS	1	1/P	
56	X0-00963000	RR/E-2-SS	2	10/P	
62	6LB30150100	SFT-BARR-PLT-BLD-SDL-PBF2	1	1/P	
63	X0-00964000	RR/E-3-SS	2	10/P	
68	6LB30054000	ASYS-PLT-FOLD-RLR-SDL	1	1/C	
70	6LB29980100	ASYS-BRKT-PJ-SDL_N	2	1/P	
72	6LE49741000	BUSH-6X10X6F-POM	2	5/P	
73	4400802080	BUSH-8	2	5/P	
76	X0-02421000	S/TPS/HEX/MR-4X8-ZU3	2	10/P	
80	6LK60911000	ASYS-COVER-PWA-SDL-RBT3	1	1/PP	

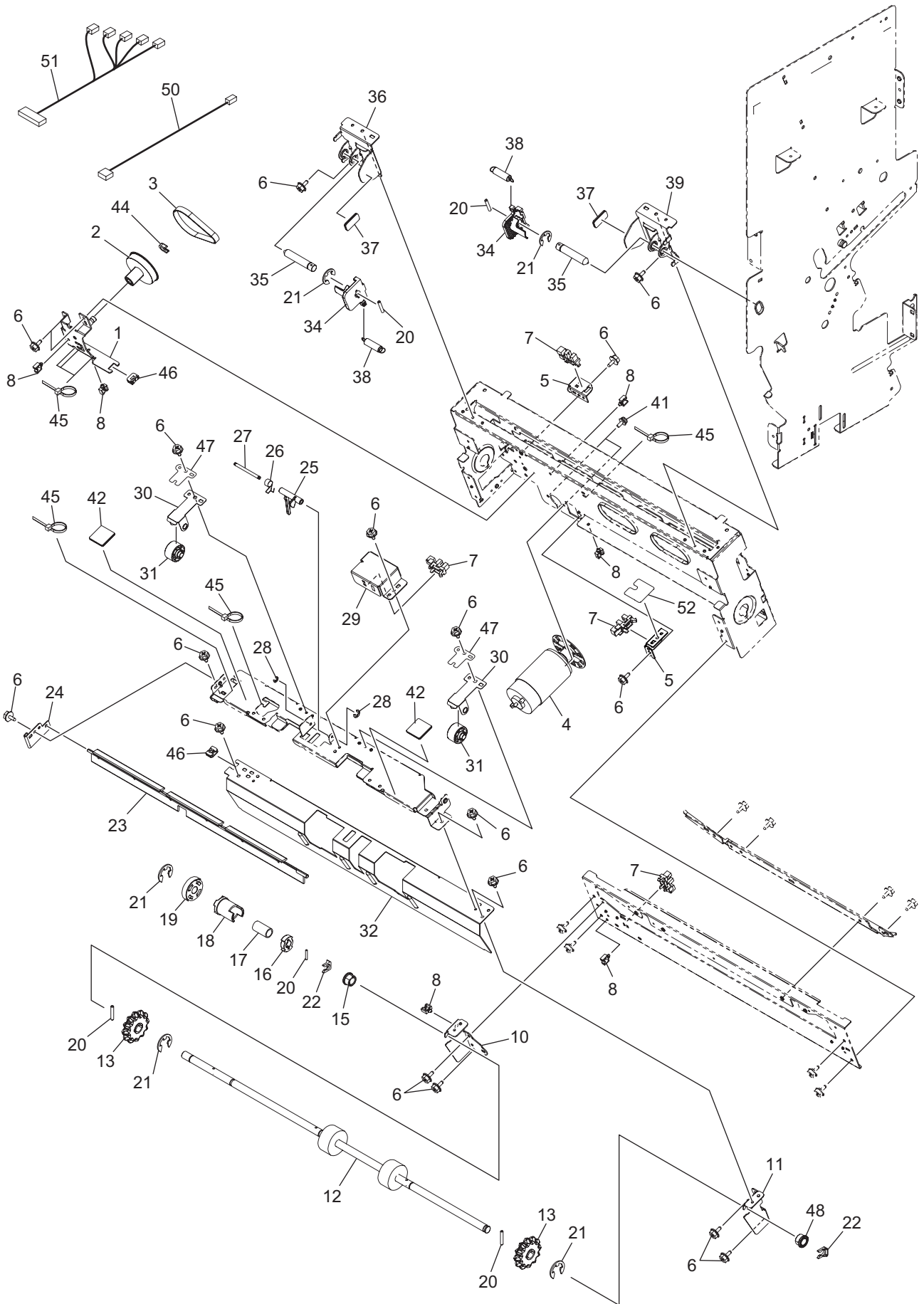




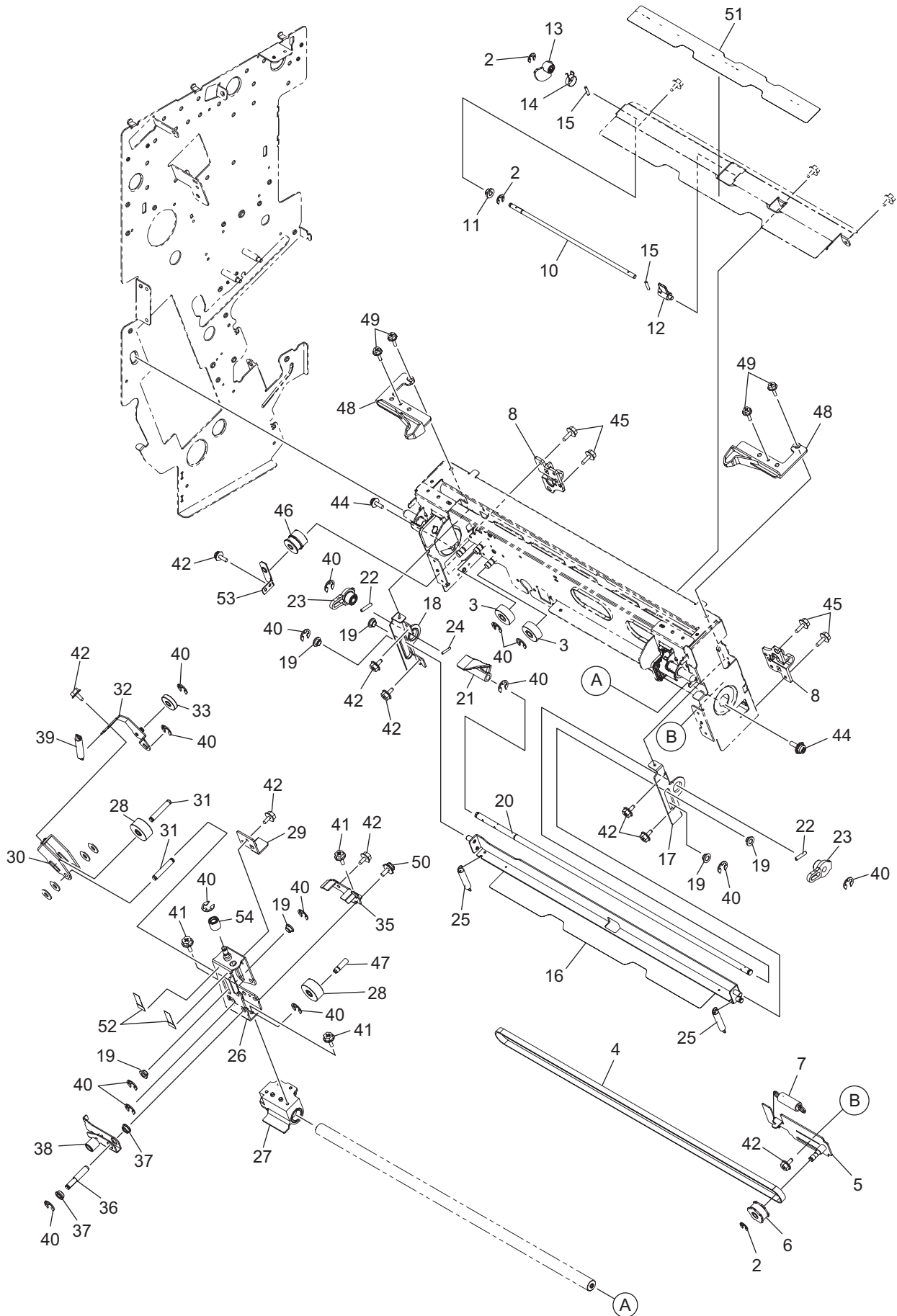




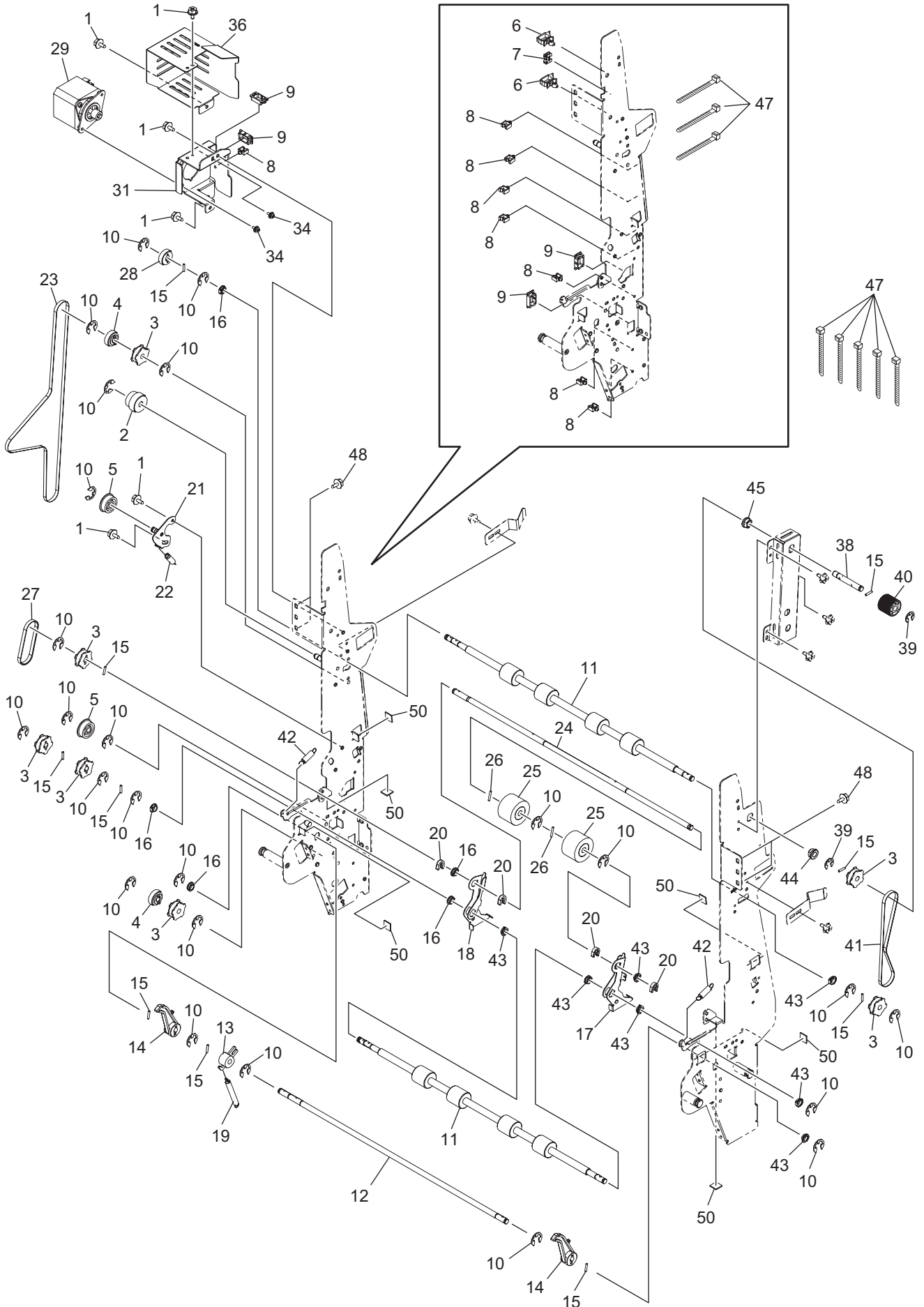




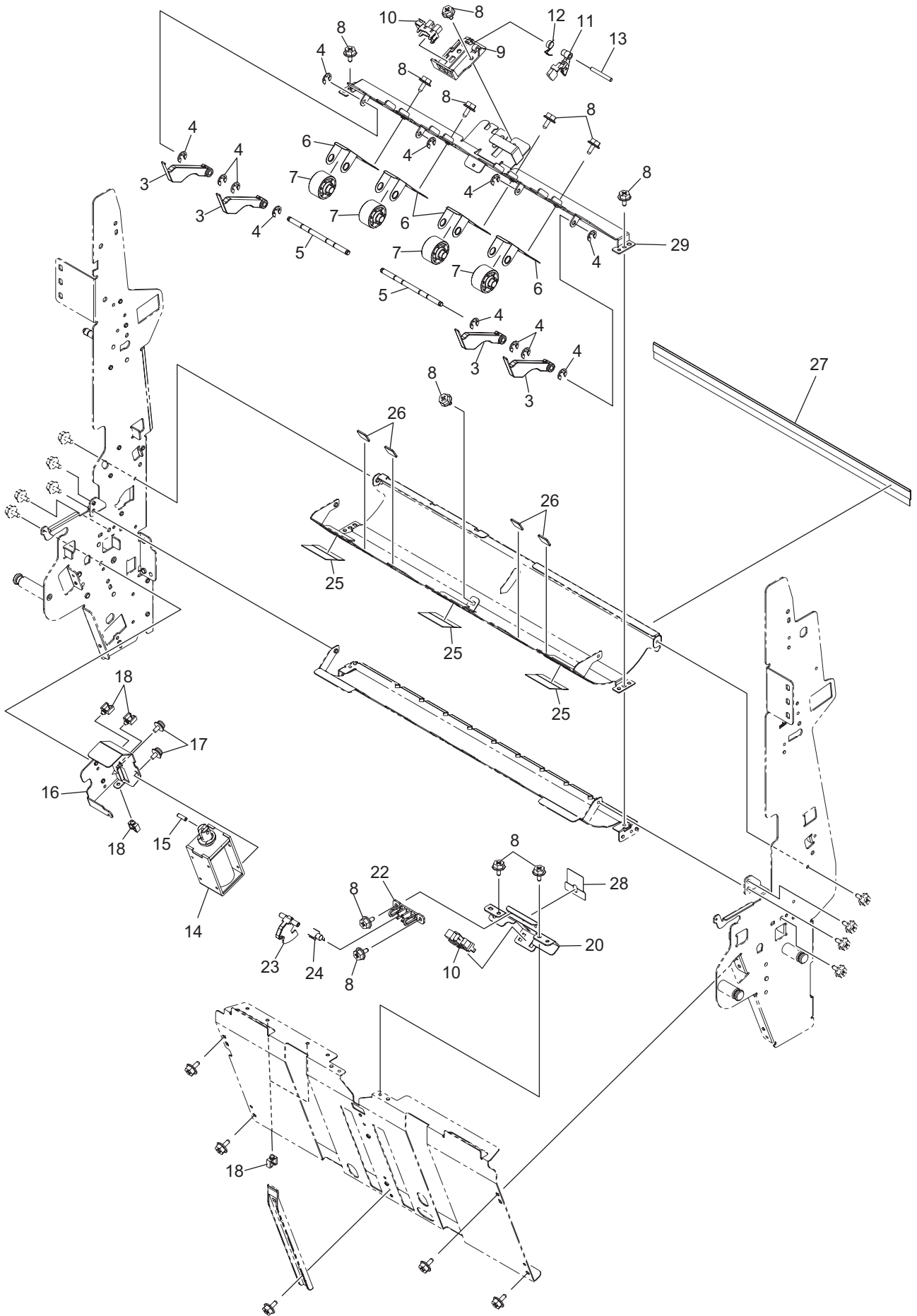
ITEM No.	PART No.	PART NAME	Q'TY / PAGE	Q'TY / PACK	REMARKS
1	6LB29993100	ASYS-BRKT7-EFS_N	1	1/P	
2	6LB29959000	GEAR-S2M60_5S24-6-EFS	1	1/P	
3	6LB30003000	BELT-60S2M-156-EFS	1	1/P	
4	6LK61716100	ASYS-MOTR-F-EFS-P-EN-R3_N	1	1/C	
5	6LB29938000	BRKT6-EFS	2	1/P	
6	X0-02419000	S/TPS/FHEXM/R-3X6-ZU3	18	10/P	
7	C0-20495000	LG2A24BL1	4	1/C	
8	F0-00042000	UAMS-05S-2	6	5/P	
10	6LB30237000	BRKT-EX-F-RER-SDL	1	1/P	
11	6LB30236000	BRKT-EX-F-FRT-SDL	1	1/P	
12	6LH78727100	RLR-EX-F-SDL-PBF2	1	1/KP	
13	6LH82200100	RLR-COL-EX-F-SDL-RBT-SS	2	1/P	
15	6LH23442000	BUSH-8X12X8F-NU4	1	5/P	
16	6LB30233100	RCHT-STAY-EX-F-SDL_P	1	1/P	
17	6LB27804000	SPG-RCHT-EX-F-SDL	1	1/P	
18	6LB30232100	RCHT-SLIDE-EX-F-SDL_P	1	1/P	
19	6LB30235100	GEAR-RCHT-10S25-SDL_P	1	1/P	
20	6LB09210100	PIN-2X12-PBF2	5	10/P	
21	X0-00968000	RR/E-7-SS	5	10/P	
22	41306265000	STOP RING	2	1/P	
23	6LB30245100	BRIR-ROD-EX-F-SDL-F5330	1	1/KP	
24	6LB30244000	PLT-BURR-ROD-EX-F-SDL	1	1/P	
25	6LB30247000	ACTR-EX-F-SDL	1	1/P	
26	6LB30239000	SPG-ACTR-EX-F-SDL	1	1/P	
27	6LB30293000	SHAFT-ACTR-EX-F-SDL-PBF1	1	1/P	
28	X0-00963000	RR/E-2-SS	2	10/P	
29	6LB30275000	PLT-SEN-EX-F-SDL_VE	1	1/P	
30	6LH81725000	PLATE-RLR-SDL-035	2	1/P	
31	6LH82126000	RLR-D20XL16-SDL	2	1/P	
32	6LB30246000	PLT-GID-LOW-EX-F-SDL	1	1/P	
34	6LB29968100	LEVER-PIVOT-SDL2	2	1/P	
35	6LB30146000	PIVOT-SDL-PBF1	2	1/P	
36	6LB29954000	PLT7-ROD-RER-SDL	1	1/P	
37	6LH83031000	LABEL-GREEN-1	2	5/P	
38	6LB30063000	SPG-E-7R2XR6X26R4R-EFS7	2	1/P	
39	6LB29948000	PLT7-ROD-FRT-SDL	1	1/P	
41	X0-00050000	S/PAN/SWWP-M3X5-NI	2	10/P	
42	6LH83028000	LABEL-GREEN-1-SDL	2	1/P	
44	6LE49743000	STOP-RING-6-5-POM	1	5/P	
45	F0-01012000	T18R	6	5/P	
46	F0-01493000	DS-02S	2	5/P	
47	6LB30130000	PLATE-SUPT-RLR-SDL	2	1/P	
48	4400802080	BUSH-8	1	5/P	
50	6LB31039000	HRNS-SEN-CN19S	1	1/P	
51	6LK62456000	HRNS-SDL-ENH-FOLD-SEN-618	1	1/P	
52	6LB30078000	FILM-MOTOR-EFS	1	1/P	

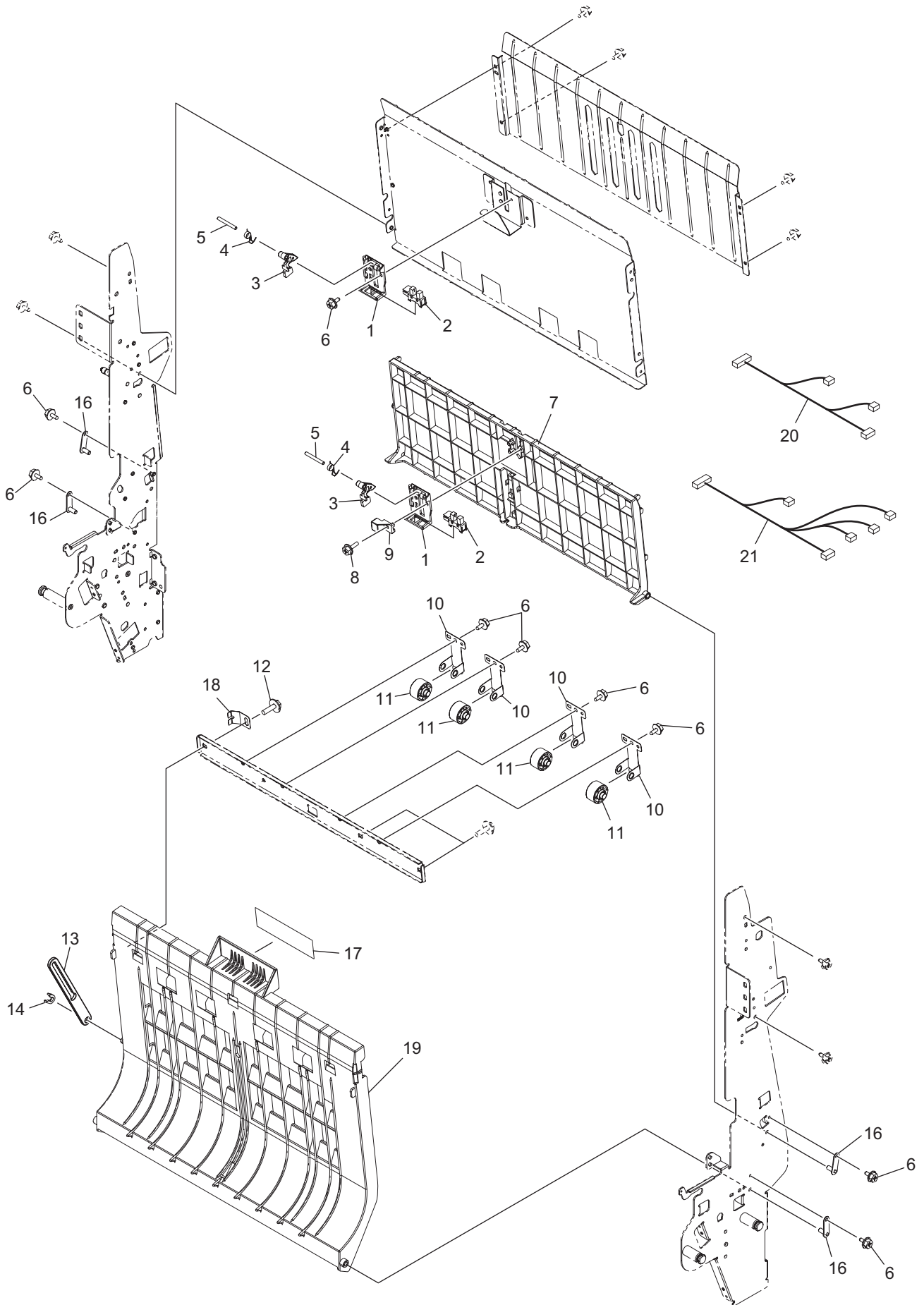


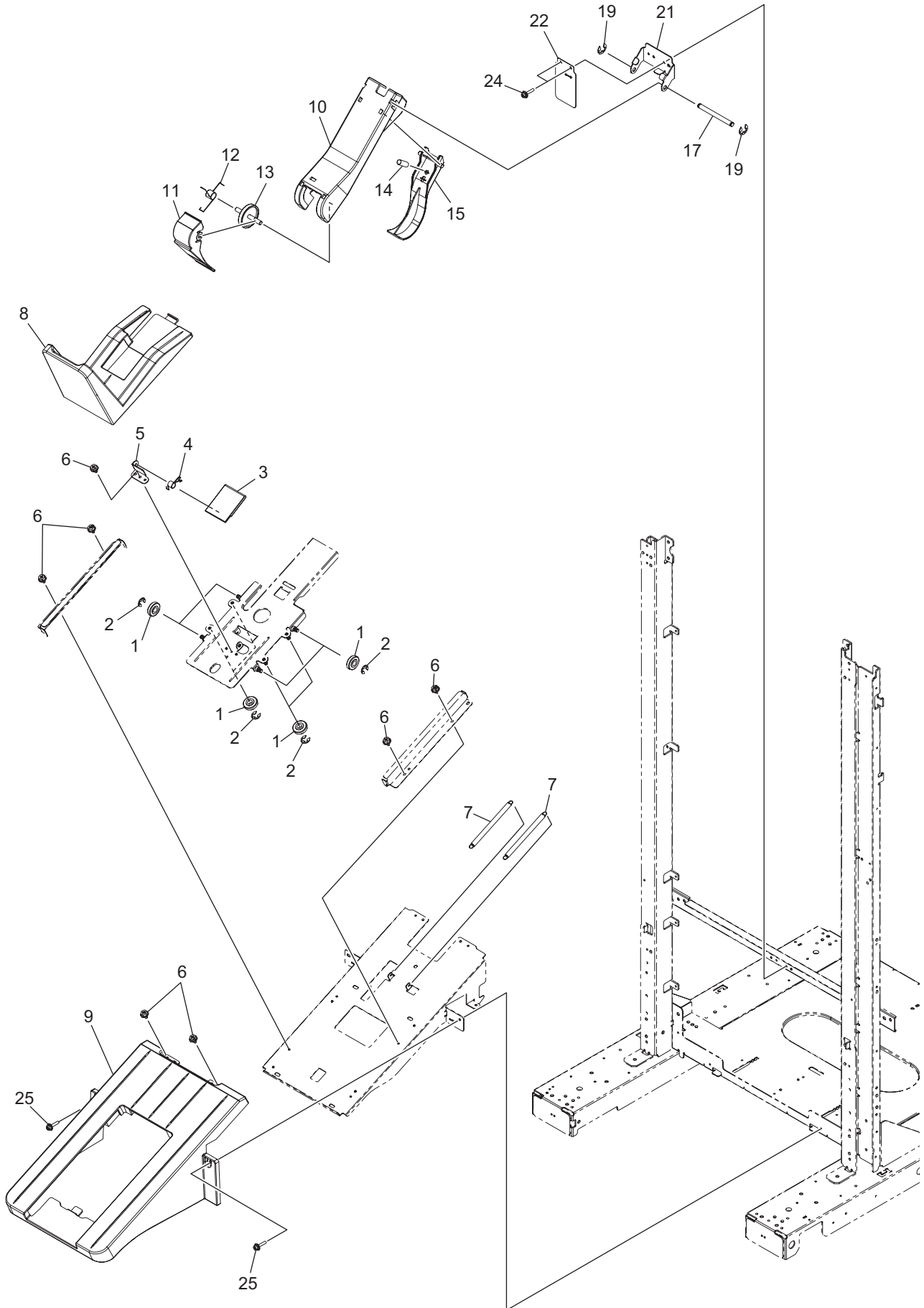
ITEM No.	PART No.	PART NAME	Q'TY / PAGE	Q'TY / PACK	REMARKS
2	X0-00964000	RR/E-3-SS	3	10/P	
3	6LB30074000	GEAR-5S34-6-EFS	2	1/P	
4	6LB30004000	BELT-60S3M-852-EFS	1	1/P	
5	6LB30037100	ASYS-PLT-PLY-EFS_N	1	1/P	
6	6LB08619100	PLY-CARR-STPL_P	1	1/P	
7	6LB09006000	SPG-CARR-STPL	1	1/P	
8	6LB29967000	BRKT11-PJ-SDL	2	1/P	
10	6LB30149000	SHAFT1-SENS-EFS-PBF1	1	1/P	
11	6LA02920000	BUSH-0410-05F-M	1	5/P	
12	6LB29961000	ACTR1-EFS	1	1/P	
13	6LL55902100	ACTR2-EFS_P	1	1/P	
14	6LL55918000	SPG-T-11R7XR45X5R4L-SDL3	1	1/P	
15	X0-01164000	P/PRL/AH7-1.6X8-SS	2	10/P	
16	6LB30065100	ASYS-PLT3-FILM3-EFS_N	1	1/KP	
17	6LB29945000	BRKT10-FRT-EFS	1	1/P	
18	6LB29946000	BRKT10-RER-EFS	1	1/P	
19	6LA36807000	BUSH-05-07-03-F	6	1/P	
20	6LB30143000	SHAFT9-EFS-PBF1	1	1/P	
21	6LB29960000	LEVER2-EFS	1	1/P	
22	6LB12168100	PIN-2X10-PBF2	2	10/P	
23	6LB29958000	LEVER1-EFS	2	1/P	
24	X0-01526000	P/PRL/AH7-2X12-SS	1	10/P	
25	6LB30046000	SPG-E-6R6XR5X23R7-EFS4	2	1/P	
26	6LB29985100	ASYS-FRAME3-CA-EFS_N	1	1/P	
27	6LB30040000	ASYS-CARRIER-EFS	1	1/P	
28	6LB29964000	ROLLER2-EFS	2	1/P	
29	6LB29942100	BRACKET1-EFS-GXKS	1	1/P	
30	6LB29944000	ARM1N-EFS	1	1/P	
31	6LB30148000	SHAFT1-EFS-PBF1	2	1/P	
32	6LB29995100	ASYS-PLATE1-EFS_N	1	1/P	
33	6LB29963100	ROLLER1-EFS_P	1	1/P	
35	6LB29940000	PLATE2-EFS	1	1/P	
36	6LB30140000	SHAFT3-EFS-PBF1	1	1/P	
37	6LE53492000	BUSH-5X8X4R2F-GCB	2	5/P	
38	6LB29998200	ASYS-ARM2-EFS_PN	1	1/P	
39	6LB30047000	SPG-E-7X1X46R3R-EFS6	1	1/P	
40	X0-00965000	RR/E-4-SS	15	10/P	
41	X0-02247000	S/TPP/FHEXM-3X8-NI	3	10/P	
42	X0-02419000	S/TPS/FHEXM/R-3X6-ZU3	9	10/P	
44	X0-00077000	S/PAN/SWWP-M3X8-NI	2	10/P	
45	X0-02420000	S/TPS/FHEXM/R-3X8-ZU3	4	10/P	
46	6LB30075000	PLY-S3M20-GEAR-5S40-EFS	1	1/P	
47	6LB30141000	SHAFT4-EFS-PBF1	1	1/P	
48	6LB30087100	RETAINER-EFS-SDL_P	2	1/P	
49	X0-02594000	S/TPD3/FHEXM-3X10-ZU3	4	10/P	
50	X0-00060000	S/PAN/SWWP-M3X6-NI	1	10/P	
51	6LB30007000	FILM4-EFS	1	1/KP	
52	6LB10645000	BURUSH-CVR-FRM-FR	2	1/KP	
53	6LB29947000	BRKT13-STUD01-EFS	1	1/P	
54	6LB29970100	ROLLER4-EFS_P	1	1/P	

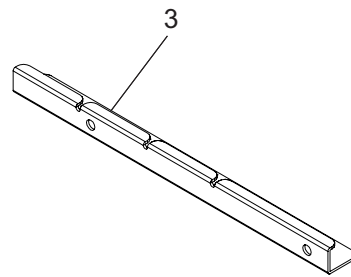
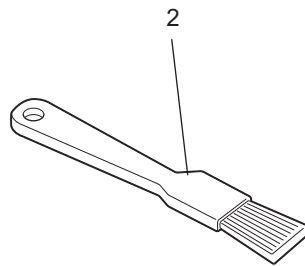
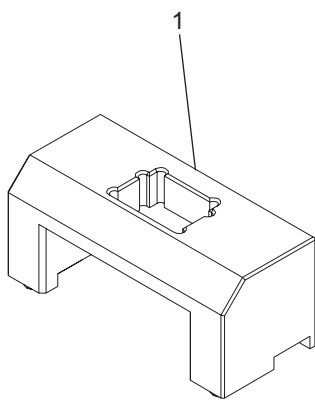


ITEM No.	PART No.	PART NAME	Q'TY / PAGE	Q'TY / PACK	REMARKS
1	X0-02419000	S/TPS/FHEXM/R-3X6-ZU3	6	10/P	
2	6LB08603000	GEAR-FEED-LOW-1	1	1/P	
3	6LB08609000	PULLY-S2M30-6-5	7	1/P	
4	6LB27203000	GEAR-FEED-SW-SDL	2	1/P	
5	6LB08610100	PULLY-TEN-S2M30-6-5_P	2	1/P	
6	F0-01811000	LWS-0711S-V0	2	5/P	
7	F0-01493000	DS-02S	1	5/P	
8	F0-00042000	UAMS-05S-2	8	5/P	
9	F0-01248000	ESC-0912	4	10/P	
10	X0-00966000	RR/E-5-SS	24	10/P	
11	6LH78728000	RLR-FEED-SWBK-SDL-SG-PBF1	2	1/KP	
12	6LB28781000	SFT-ASST-RLR-MG-SDL-PBF1	1	1/P	
13	6LB28723100	PLT-AST-RLR-MG-SDL_P	1	1/P	
14	6LB28722000	PLT-AST-ARM-MG-SDL	2	1/P	
15	6LB12168100	PIN-2X10-PBF2	10	10/P	
16	6LL54200000	BUSH-6X8X3F-CUC-MTL_CAM	5	1/P	
17	6LB28749100	ASYS-AST-ARM-FRT-SDL_N	1	1/P	
18	6LB28748100	ASYS-AST-ARM-RER-SDL_N	1	1/P	
19	6LB28743000	SPG-AST-RLR-MG-SDL	1	1/P	
20	6LE49743000	STOP-RING-6-5-POM	4	5/P	
21	6LB42515100	ASYS-TENS-JBP-PIT_N	1	1/P	
22	6LB10826000	SPG-FLP-BU-C	1	1/P	
23	6LB28741000	BLT-40-S2M-630	1	1/P	
24	6LB28782100	SFT-AST-RLR-SWBK-SDL-PBF2	1	1/P	
25	6LB28747000	ASYS-AST-RLR-SW-DG	2	1/P	
26	6LB09210100	PIN-2X12-PBF2	2	10/P	
27	6LB28740000	BLT-40-S2M-130	1	1/P	
28	6LB08608100	GEAR-FEED-LOW-6_P	1	1/P	
29	6LK61503000	MOTR-FEED-SDL-RBT3-MNS	1	1/C	
31	6LB28708100	BRKT-FEED-MTR-SW-RBT3	1	1/P	
34	X0-00060000	S/PAN/SWWP-M3X6-NI	2	10/P	
36	6LB28734000	COVER-FEED-MTR-SWBK	1	1/P	
38	6LB28783100	SFT-KNOB-SWBK-SDL-PBF2	1	1/P	
39	X0-00965000	RR/E-4-SS	2	10/P	
40	6LB42518100	KNOB-PIT2	1	1/P	
41	6LB09614000	BLT-40-S2M-272	1	1/P	
42	6LB28742000	SPG-ASST-RLR-ARM-SDL	2	1/P	
43	6LH79100000	BUSH-6X8X3F-POM	7	1/P	
44	6LH53768000	BUSH-6-NU4	1	1/P	
45	6LE49741000	BUSH-6X10X6F-POM	1	5/P	
47	F0-01012000	T18R	8	5/P	
48	X0-02421000	S/TPS/FHEXM/R-4X8-ZU3	3	10/P	
50	6LB09954000	FELT-SOL-BU-C	6	1/P	









TOSHIBA

Toshiba Tec Corporation

1-11-1, OSAKI, SHINAGAWA-KU, TOKYO, 141-8562, JAPAN