

**TOSHIBA**

# **SERVICE PARTS LIST**

**Finisher**

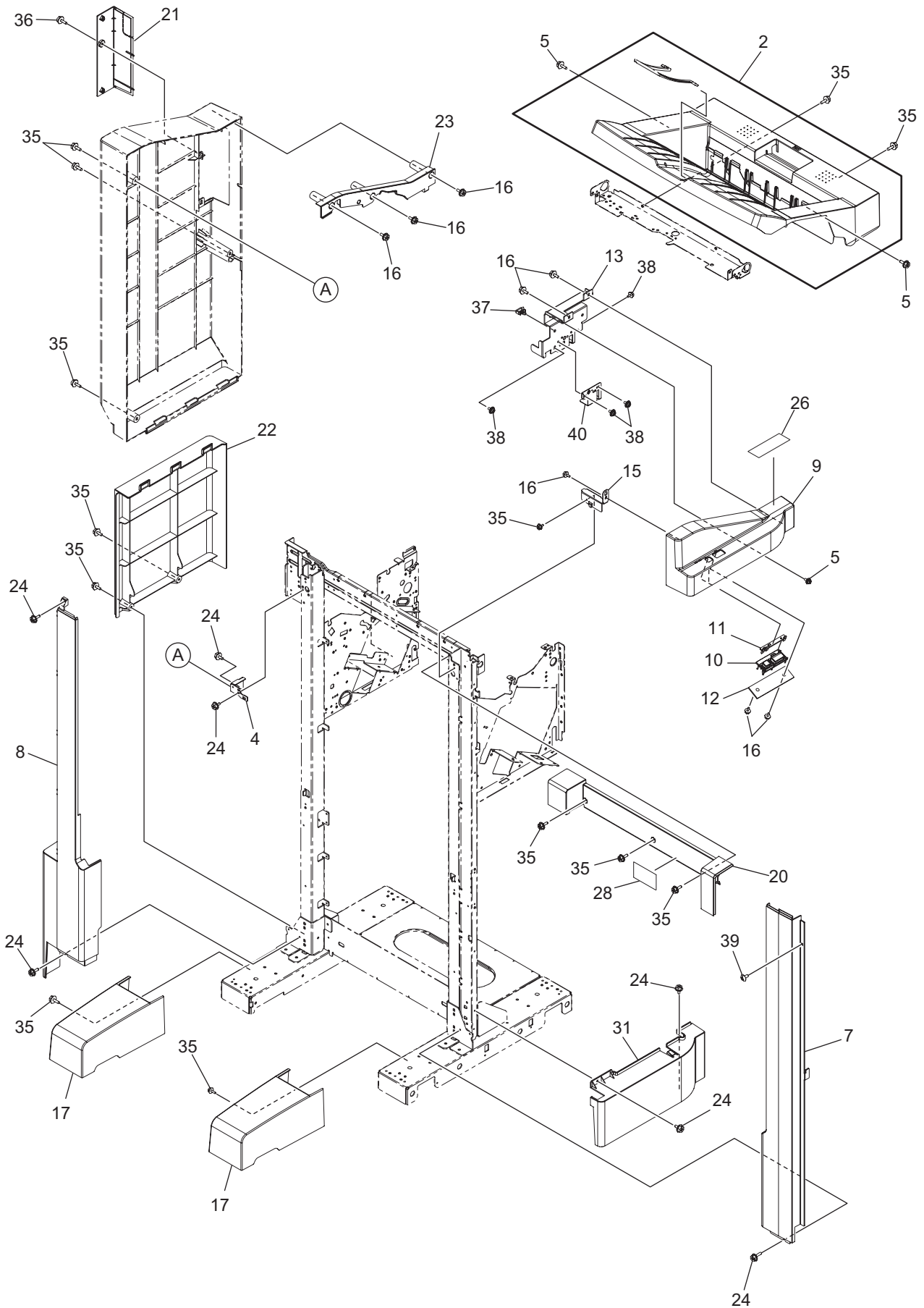
**MJ-1113**

© 2022 Toshiba Tec Corporation All rights reserved

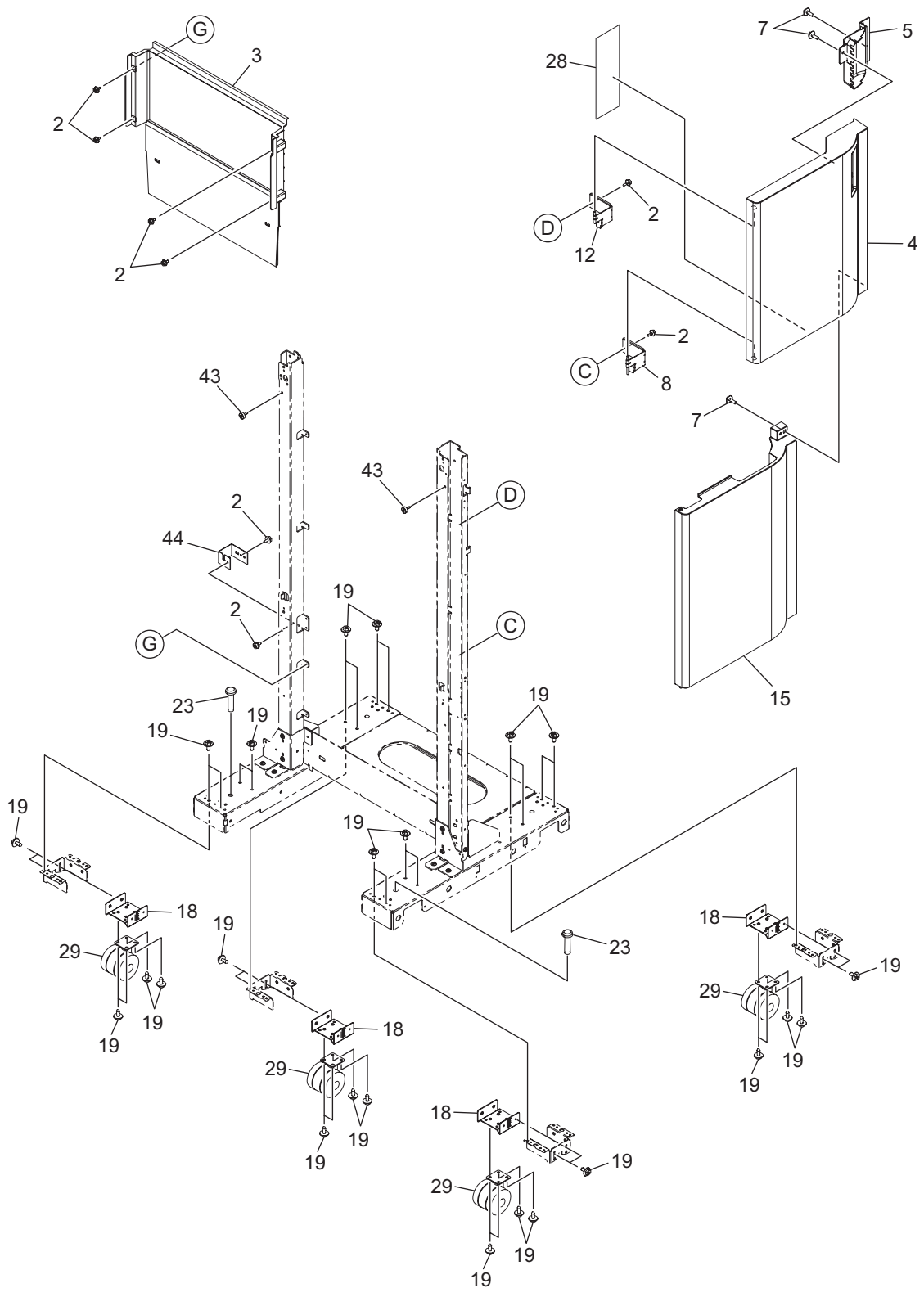
Under the copyright laws, this manual cannot be reproduced in any form without prior written permission of Toshiba Tec Corporation. No patent liability is assumed, however, with respect to the use of the information contained herein.

# CONTENTS

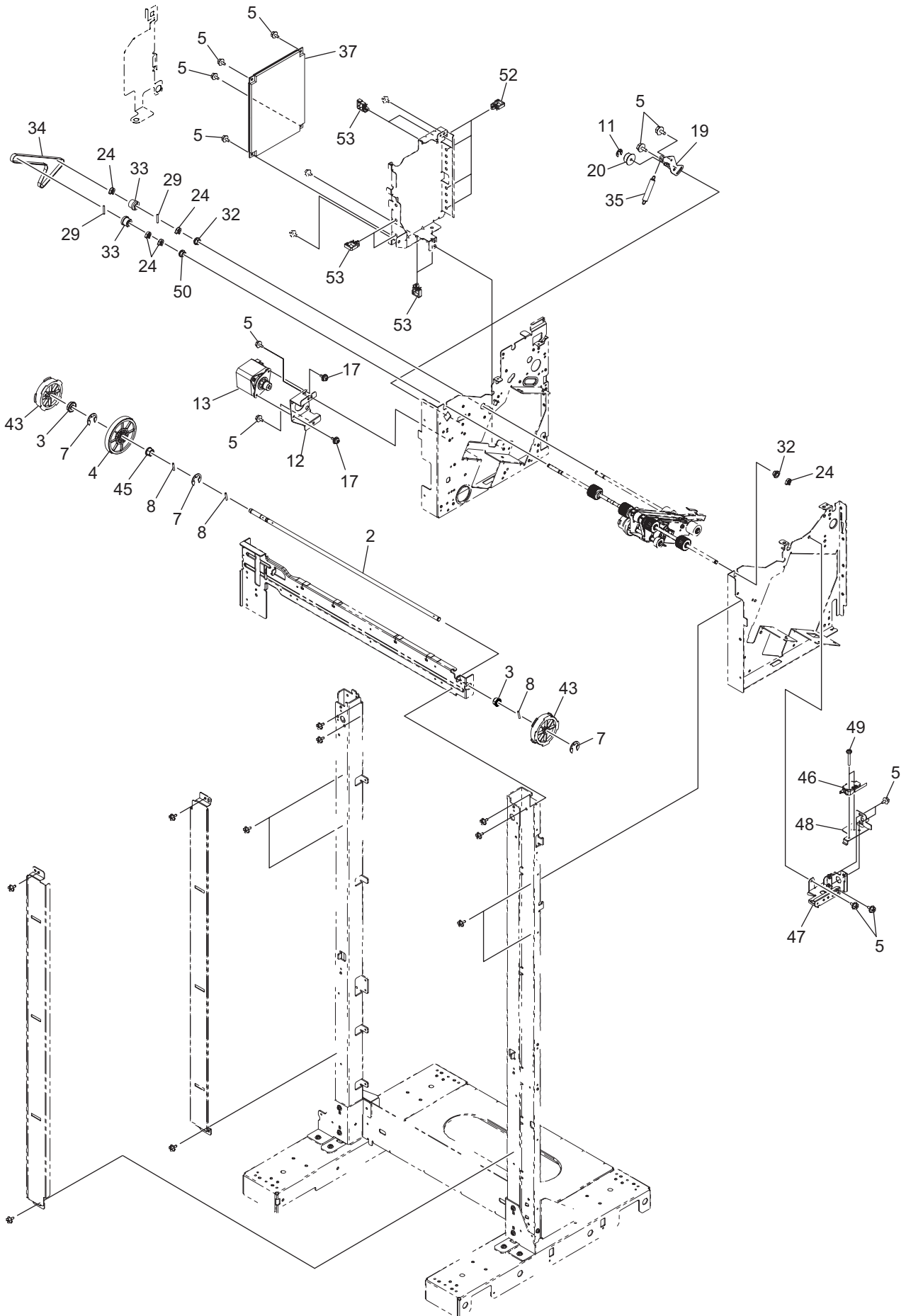
COVER-1-ASM .....	1
COVER-2-ASM .....	2
PAPER GUIDE-ASM .....	3
FRAME-BASE-TRAY-ASM.....	4
FRAME-ALGIN-1-ASM .....	5
FRAME-ALGIN-2-ASM .....	6
BUFFER-1-ASM.....	7
BUFFER-2-ASM.....	8
BUFFER-3-ASM.....	9
SORT-ASM.....	10
STAPLE-ASM.....	11
SORT-TRAY-ASYB.....	12
ATTACHMENT-ASM .....	13
ACCESSORIES .....	14
JIGS_&_GREASE.....	51



ITEM No.	PART No.	PART NAME	Q'TY / PAGE	Q'TY / PACK	REMARKS
2	6LK02805100	ASYB-TRAY-DBL-BU-C-VI3	1	1/PP	
4	6LB11232000	PLT-SPCR-REAR-L-T	1	1/P	
5	X0-02420000	S/TPS/FHEXM/R-3X8-ZU3	3	10/P	
7	6LK60021000	COVER-RAIL-FRT-VLT3-SSJB	1	1/PP	
8	6LK60022000	COVER-RAIL-RER-VLT3-SSJB	1	1/PP	
9	6LK60018200	COVER-FRT-TP-VLT3-TJB	1	1/PP	
10	6LB11226400	KEY-TOP-STPL-SSAJB	1	1/C	
11	6LB11251000	LED-TOP-2	1	1/D	
12	6LB12405000	PWA-CPL-101	1	1/C	
13	6LK60026000	PLT-SPCR-FRT-R-VLT-S18	1	1/P	
15	6LB11243000	PLT-SPCR-FRONT-L	1	1/P	
16	X0-02246000	S/TPP/FHEXM-3X6-NI	8	10/P	
17	6LB11209400	COVER-FOOT-SSAJB	2	1/PP	
20	6LK60003100	COV-LEFT-TOP-SSAJB	1	1/PP	
21	6LK60019000	COVER-OPTION-VLT3-SSJB	1	1/PP	
22	6LB11240400	COVER-REAR-BTM-SSAJB	1	1/PP	
23	6LB11224400	COVER-REAR-FRONT-SSAJB	1	1/PP	
24	X0-02419000	S/TPS/FHEXM/R-3X6-ZU3	7	10/P	
26	6LK62826000	LBL-MNL-STPL-VLT3	1	1/KP	
28	6LK62800000	LBL-CAUTION-RBT3	1	1/P	
31	6LB11210400	COVER-FOOT-FRONT-SSASG	1	1/PP	
35	X0-02681000	S/TPD3/FHEXM/R-3X8-ZB3	13	10/P	
36	X0-02683000	S/TPP/FHEXM-3X8-ZB3	1	5/P	
37	F0-01811000	LWS-0711S-V0	1	5/P	
38	X0-00060000	S/PAN/SWWP-M3X6-NI	4	10/P	
39	X0-02685000	S/TPD3/BID/R-3X6-ZB3	1	5/P	
40	6LK60027000	PLT-F-SNSR-VLT-S18	1	1/D	

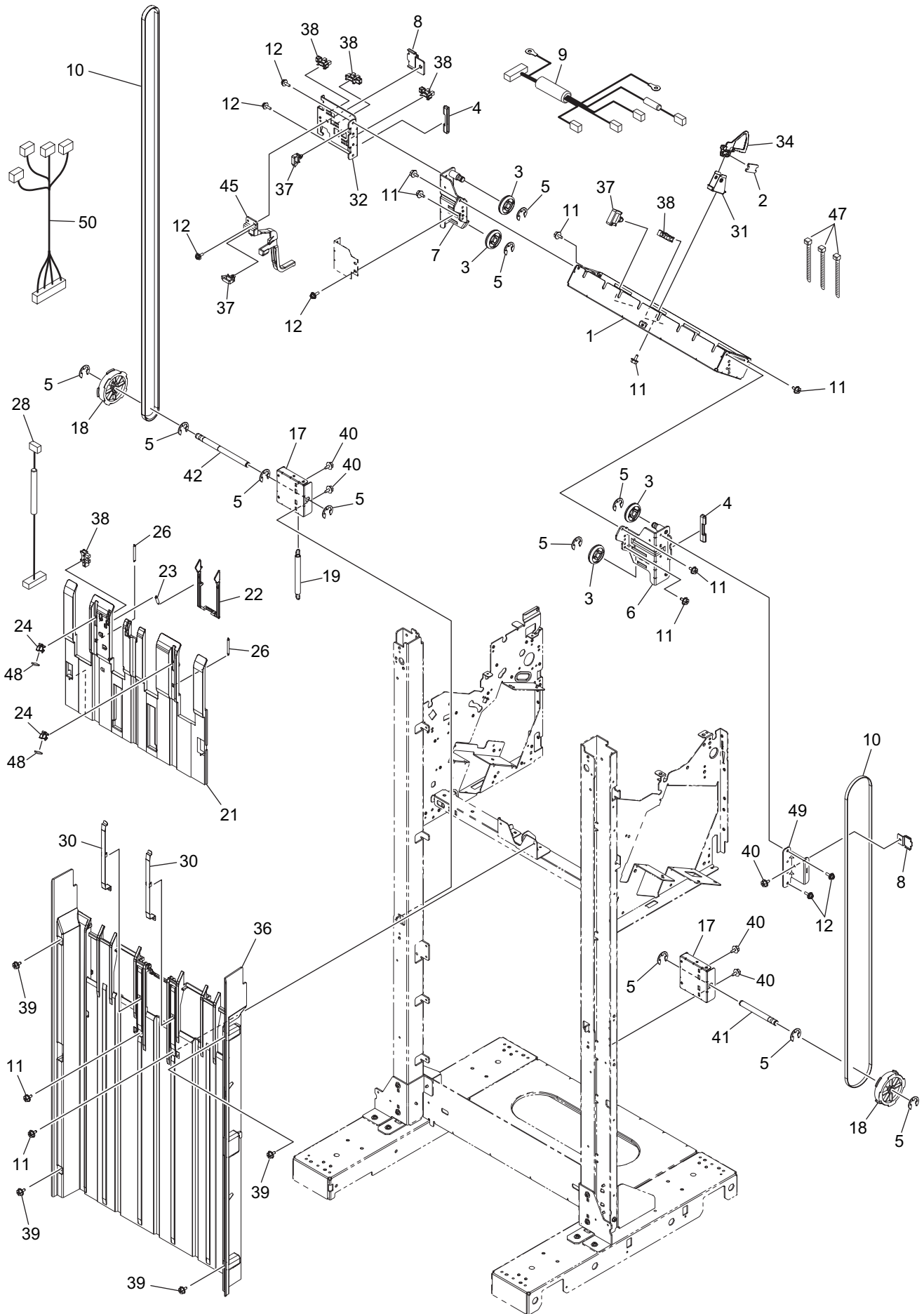




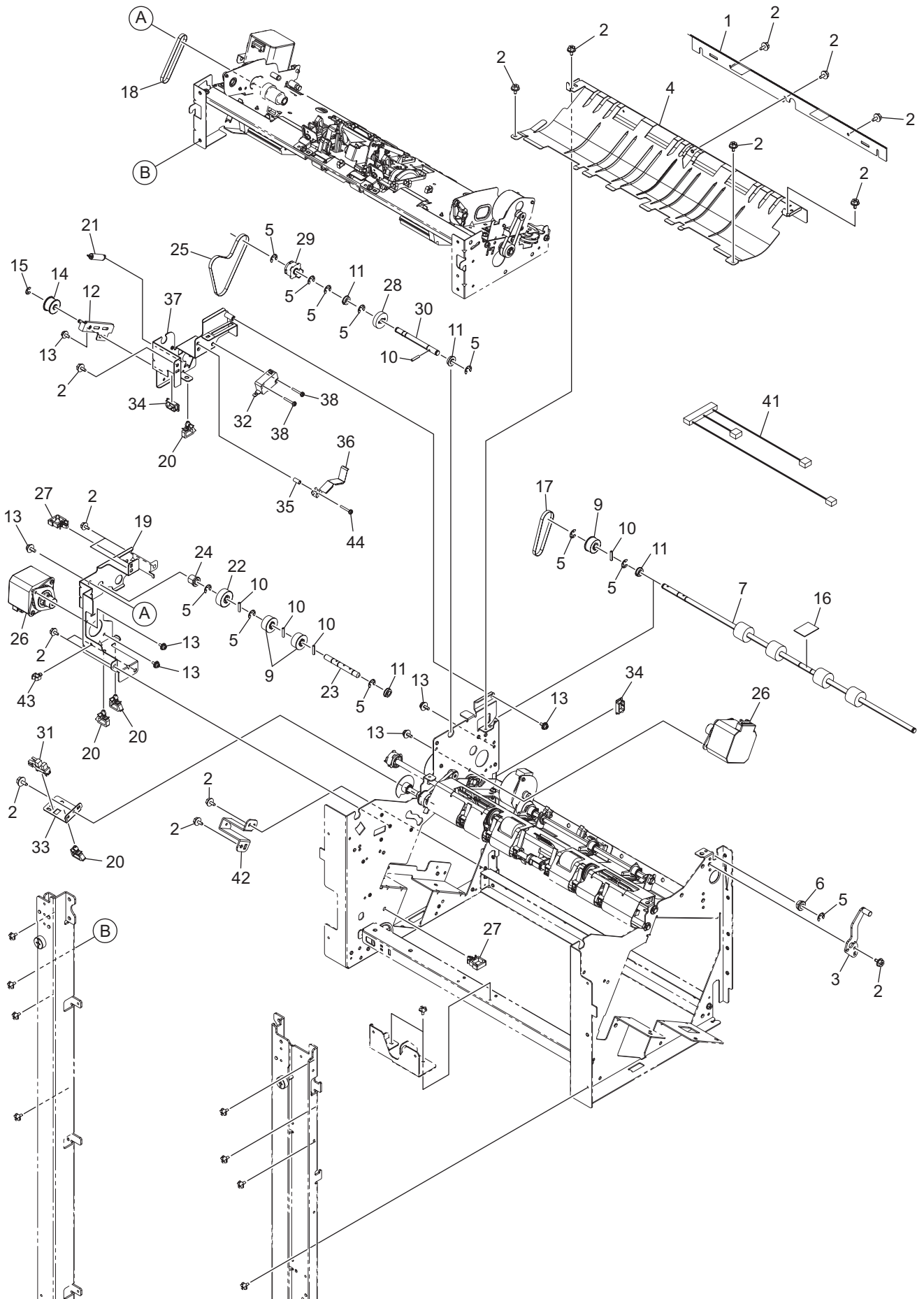




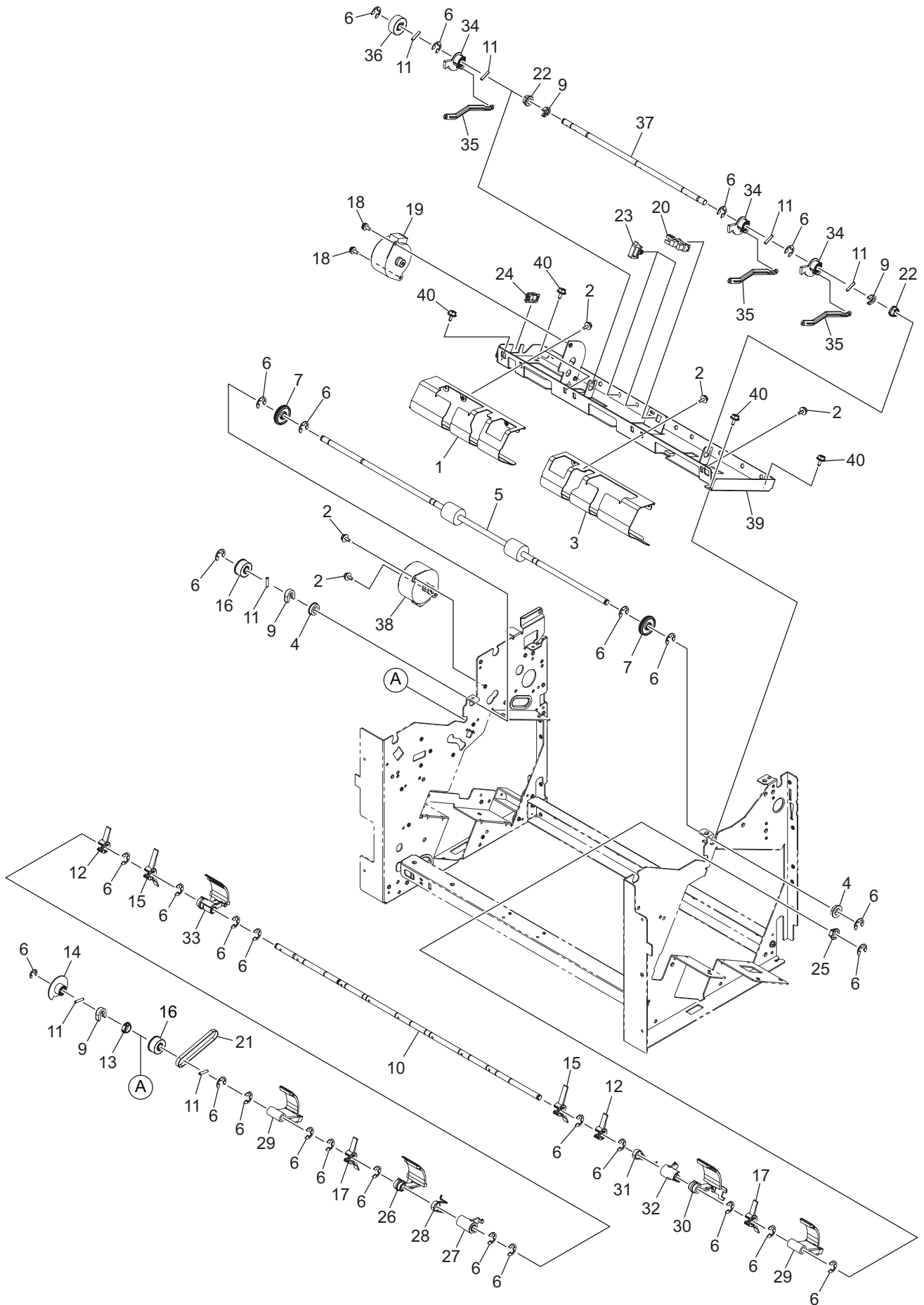
ITEM No.	PART No.	PART NAME	Q'TY / PAGE	Q'TY / PACK	REMARKS
2	6LB11194000	SHAFT4-DRV-TRAY-PBF1	1	1/P	
3	6LH23442000	BUSH-8X12X8F-NU4	2	5/P	
4	6LB11026000	GEAR-12R5S51-8-TRAY	1	1/P	
5	X0-02419000	S/TPS/FHEXM/R-3X6-ZU3	12	10/P	
7	X0-00968000	RR/E-7-SS	3	10/P	
8	X0-01533000	P/PRL/AH7-2X16-SS	3	10/P	
11	X0-00964000	RR/E-3-SS	1	10/P	
12	6LB10619100	BRKT-MOTR-VI-NEW	1	1/P	
13	6LK58444000	MOTR-S-FEED2-RBT3-MNS	1	1/C	
17	X0-00060000	S/PAN/SWWP-M3X6-NI	2	10/P	
19	6LB10606100	ASYS-PLATE-PLY-IDL-SF_N	1	1/P	
20	6LK57607000	BELT-TENSION-ROLLER	1	1/P	
24	6LE49743000	STOP-RING-6-5-POM	5	5/P	
29	6LB09210100	PIN-2X12-PBF2	2	10/P	
32	6LH53768000	BUSH-6-NU4	2	1/P	
33	6LB39506100	PULLY-S2M21-6-SF-PIT_P	2	1/P	
34	6LB27200000	BLT-40S2M-396-SDL	1	1/P	
35	6LK57809000	SPG-BELT-TENS-RBT3	1	1/P	
37	6LL56368000	ASYB-PWA-FIN-MAIN-665	1	1/SB	
43	6LB11028100	PULLY-S5M32-8-TRAY_P	2	1/P	
45	4400802080	BUSH-8	1	5/P	
46	E0-14498000	D3V-162-3C26	1	1/D	
47	6LK60028000	BRKT-DOOR-SNSR-S18	1	1/P	
48	6LK60029000	PLT-TURN-SNSR-S18	1	1/P	
49	X0-02060000	S/TPS/PAN-3X16-ZU3	2	10/P	
50	6LE49739000	BUSH-6X10X6F-SBK	1	5/P	
52	F0-01811000	LWS-0711S-V0	4	5/P	
53	F0-01715000	LWS-3S V0	6	5/P	



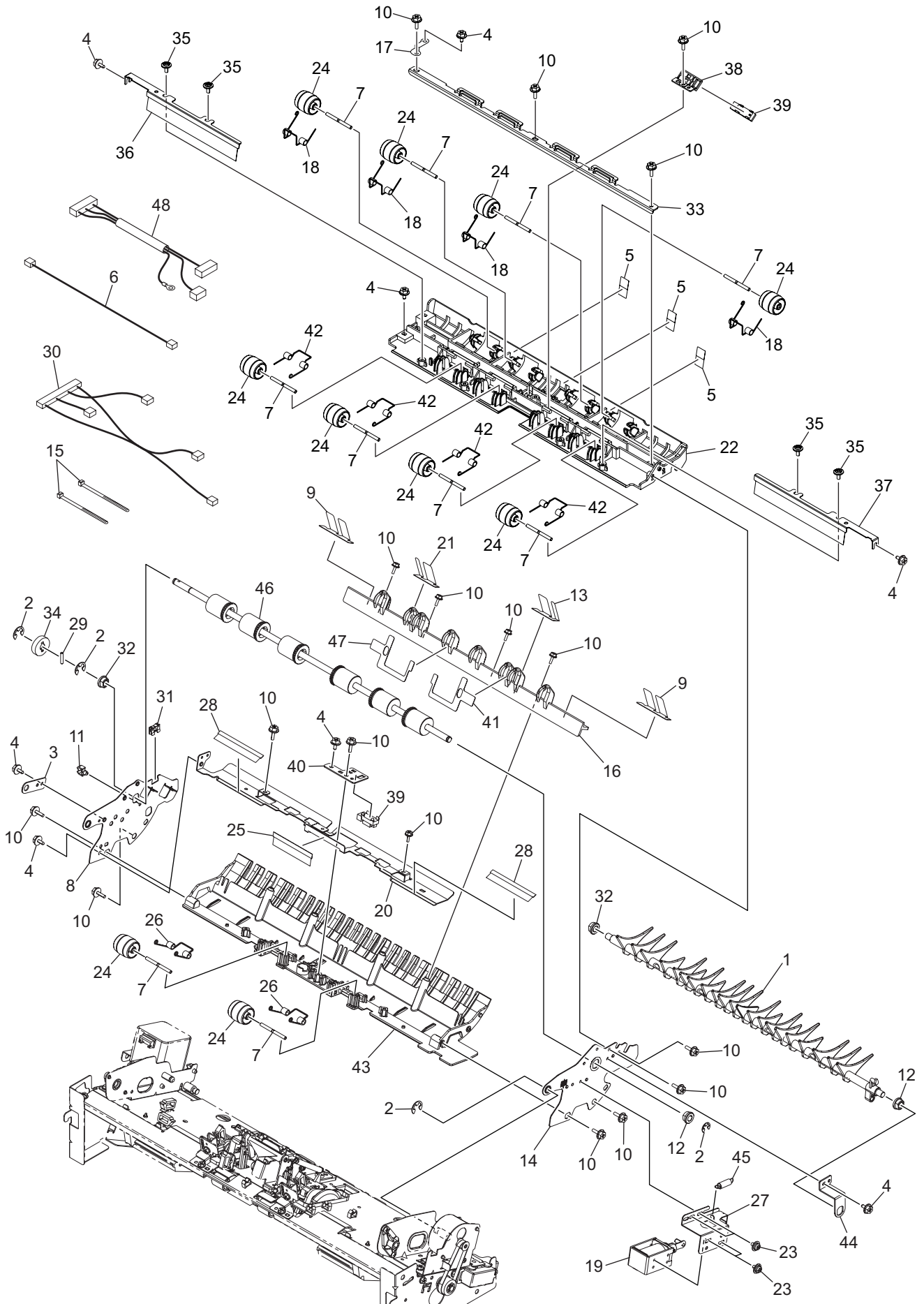
ITEM No.	PART No.	PART NAME	Q'TY / PAGE	Q'TY / PACK	REMARKS
1	6LB11010000	FRAME-BASE-TRAY	1	1/P	
2	6LB10216000	PLATE-P-SNSR-SO	1	1/P	
3	6LB11093100	ROLLER-GUIDE-TRAY_P	4	1/P	
4	6LB11011000	GUARD-CAP-SLIDERAIL-TRAY	2	1/P	
5	X0-00968000	RR/E-7-SS	11	10/P	
6	6LB11074100	ASYS-RAIL-BRKT-F-TRAY_N	1	1/P	
7	6LB11075100	ASYS-RAIL-BRKT-R-TRAY_N	1	1/P	
8	6LB11009000	CLUMP-BELT-C-TRAY	2	1/P	
9	6LK62441000	HRNS-SFTTRY-EAR-618	1	1/P	
10	6LB11182000	BLT-50S5M-1195-TRAY	2	1/P	
11	X0-02420000	S/TPS/FHEXM/R-3X8-ZU3	9	10/P	
12	X0-00077000	S/PAN/SWWP-M3X8-NI	6	10/P	
17	6LB11023000	BRKT-LOW-PULLY-TRAY	2	1/P	
18	6LB11028100	PULLY-S5M32-8-TRAY_P	2	1/P	
19	6LB11177000	SPG-TENSION-PULLY-TRAY	1	1/P	
21	6LB41744500	SHUTTER-TRAY-PIT2-TJB	1	1/PP	
22	6LB41743200	ACTR-01-SNSR-TRAY-PIT-SS	1	1/KP	
23	6LB41728000	SPG-ACTR-01-TRAY-40-PIT	1	5/P	
24	6LB41708100	STOP-PAPER-PIT_P	2	1/P	
26	6LB39900000	SPG-STOP-PIT	2	1/P	
28	6LK62449000	HRNS-SHAT-SEN-618	1	1/P	
30	6LB41706000	PLATE-EARTH-ENCL-PIT	2	1/P	
31	6LB41720000	BRKT-ACTR-FN-PIT	1	1/P	
32	6LK59602000	CLUMP-BELT-A-TRAY	1	1/P	
34	6LB41721100	ACTR-SNSR-FN-PIT_P	1	1/P	
36	6LB41727100	ASYS-ENCL-L-RBT3	1	1/PP	
37	F0-01811000	LWS-0711S-V0	3	5/P	
38	C0-20495000	LG2A24BL1	5	1/C	
39	X0-02681000	S/TPD3/FHEXM/R-3X8-ZB3	4	10/P	
40	X0-02419000	S/TPS/FHEXM/R-3X6-ZU3	5	10/P	
41	6LB11196000	SFT-TRAY-PULLY-LOW-F-PBF1	1	1/P	
42	6LB11191000	SFT-TRAY-PULLY-LOW-R-PBF1	1	1/P	
45	6LK59601000	BRKT-HRNS-TRAY	1	1/P	
47	F0-01012000	T18R	3	5/P	
48	6LH80518000	RUBR-STOP-PAPER	2	5/P	
49	6LB11008000	CLUMP-BELT-B-TRAY	1	1/P	
50	6LK62450000	HRNS-REAR-MTR-SEN-618	1	1/P	



ITEM No.	PART No.	PART NAME	Q'TY / PAGE	Q'TY / PACK	REMARKS
1	6LB40551000	ASYS-MYLAR-FEED-IN-PIT	1	1/C	
2	X0-02419000	S/TPS/FHEXM/R-3X6-ZU3	16	10/P	
3	6LB10838100	ASYS-BRKT-TRY-F-BU-C_N	1	1/P	
4	6LK58405000	GUIDE-FEED-LOW-RBT3	1	1/D	
5	X0-00966000	RR/E-5-SS	11	10/P	
6	6LE49741000	BUSH-6X10X6F-POM	1	5/P	
7	6LK57609000	RLR-FEED-1-RBT3-SG-PBF1	1	1/KP	
9	6LB39507100	PULLY-S2M28-6-SF-PIT_P	3	1/P	
10	6LB12168100	PIN-2X10-PBF2	5	10/P	
11	F0-02079000	LF-1060ZZHP0P25LY727	4	1/P	
12	6LK58420100	ASYS-TNSN-EXIT_N	1	1/P	
13	X0-00060000	S/PAN/SWWP-M3X6-NI	7	10/P	
14	6LB39504100	RLR-TENSION-PIT_P	1	1/P	
15	X0-00964000	RR/E-3-SS	1	10/P	
16	6LB40550000	SHEET-FEDL-SNSR	1	5/P	
17	6LK58001000	BLT-40-S2M-132	1	1/P	
18	6LK58002000	BLT-40-S2M-140	1	1/P	
19	6LK58404000	BRKT-EXIT-MOTR-RBT3	1	1/P	
20	F0-01811000	LWS-0711S-V0	4	5/P	
21	6LJ37407000	SPG-BLT-TENS-1	1	1/P	
22	6LK57400000	GEAR-5S40-6	1	1/P	
23	6LK58454100	SFT-DRV-EXT-RLR-BUF-PBF2	1	1/P	
24	6LE24986000	BUSH-6X11-GCB	1	5/P	
25	6LB40525000	BLT-40S2M-216-FL-PIT	1	1/P	
26	6LK58444000	MOTR-S-FEED2-RBT3-MNS	2	1/C	
27	F0-01715000	LWS-3S-V0	2	5/P	
28	6LK58400000	GEAR-10S20-6	1	1/P	
29	6LH79502000	PULLY-S2M28-6-CLUTCH	1	1/P	
30	6LK58422000	SHAFT-GEAR-FEED-1-RBT3	1	1/P	
31	C0-20495000	LG2A24BL1	1	1/C	
32	6LK62548000	HRNS-CVRSW-FRONT-TOP-620	1	1/P	
33	6LB10013000	BRKT-PDL-SNSR	1	1/P	
34	F0-01248000	ESC-0912	2	10/P	
35	F0-01484000	3382330-30090	1	5/P	
36	6LK58446000	SPG-COV-OPSW-ST-S18	1	1/P	
37	6LK58449100	ASYS-BRKT-FEED-R-S18_N	1	1/P	
38	X0-02060000	S/TPS/PAN-3X16-ZU3	2	10/P	
41	6LK62439000	HRNS-INNER-MTR-SEN-618	1	1/P	
42	6LB11231000	PLT-SPCR-REAR-R-B	1	1/P	
43	F0-00042000	UAMS-05S-2	1	5/P	
44	X0-02135000	S/PAN/SWWP-M3X14-NI	1	10/P	

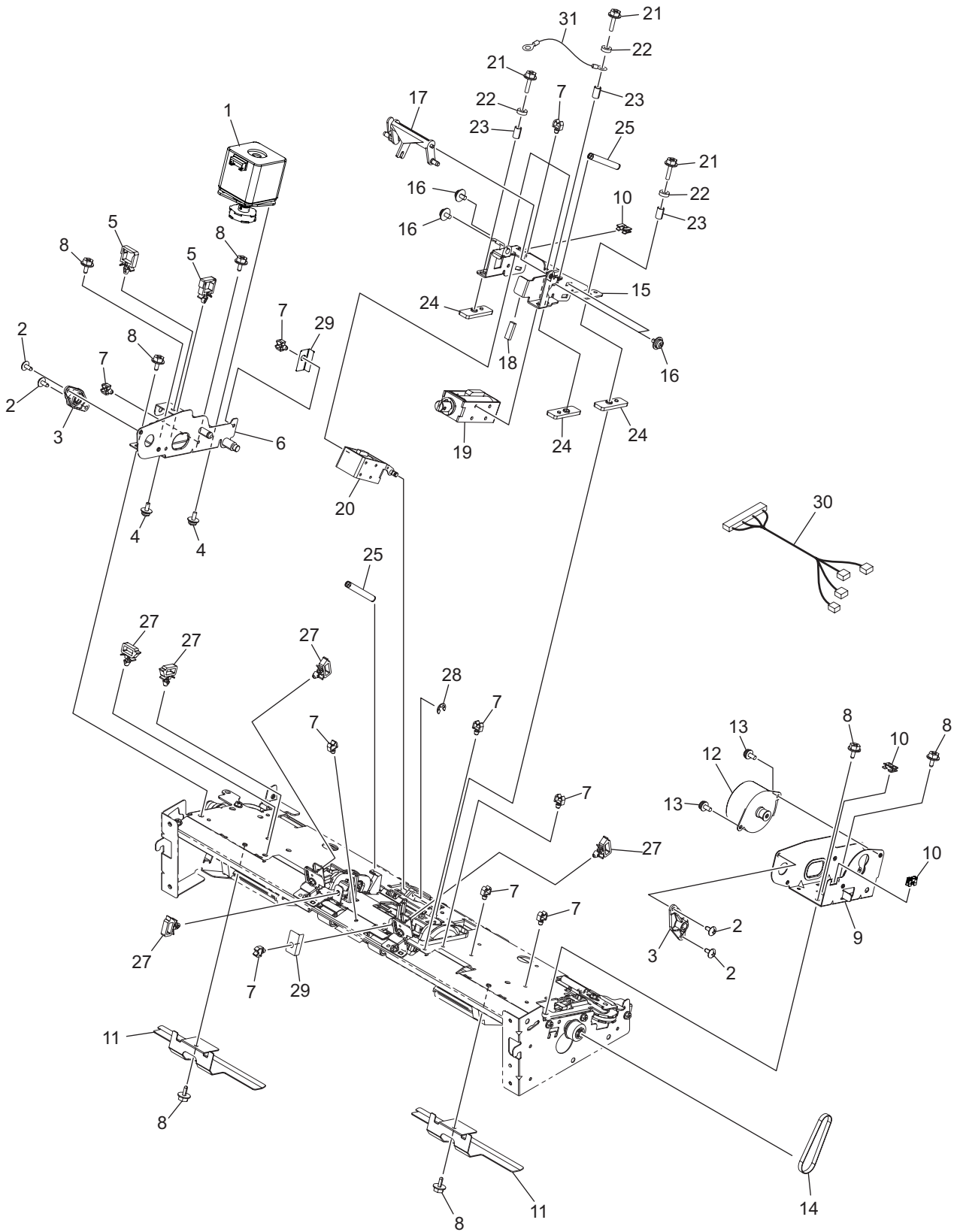


ITEM No.	PART No.	PART NAME	Q'TY / PAGE	Q'TY / PACK	REMARKS
1	6LL54405000	PLATE-GID-PDL-RER-S20	1	1/P	
2	X0-00060000	S/PAN/SWWP-M3X6-NI	6	10/P	
3	6LL54404000	PLATE-GID-PDL-FRT-S20	1	1/P	
4	F0-02079000	LF-1060ZZHP0P25LY727	2	1/P	
5	6LL54503100	RLR-FEED-2-LOW-S20_2	1	1/P	
6	X0-00966000	RR/E-5-SS	28	10/P	
7	6LK58410000	COL-RLR-23-6	2	1/P	
9	6LE49743000	STOP-RING-6-5-POM	4	5/P	
10	6LL54504100	SHAFT-PDL-ALIGN-S20_2	1	1/P	
11	6LB12168100	PIN-2X10-PBF2	7	10/P	
12	6LL54402000	ASYS-SPOOL-PDL-3-S20	2	1/P	
13	6LL54200000	BUSH-6X8X3F-CUC-MTL_CAM	1	1/P	
14	6LB10020100	WHEEL-SNSR-PDL-VI_P	1	1/P	
15	6LL54401000	ASYS-SPOOL-PDL-2-S20	2	1/P	
16	6LB39507100	PULLY-S2M28-6-SF-PIT_P	2	1/P	
17	6LL54400000	ASYS-SPOOL-PDL-1-S20	2	1/P	
18	X0-00059000	S/PAN/SWWS-M3X6-NI	2	10/P	
19	6LK01401000	MOTR-S-PDL-ALIGN-2	1	1/C	
20	C0-20495000	LG2A24BL1	1	1/C	
21	6LK58002000	BLT-40-S2M-140	1	1/P	
22	6LE49741000	BUSH-6X10X6F-POM	2	5/P	
23	F0-01811000	LWS-0711S-V0	2	5/P	
24	F0-01248000	ESC-0912	1	10/P	
25	6LH79100000	BUSH-6X8X3F-POM	1	1/P	
26	6LL54407000	ASYS-CLAMP2-R1-S20	1	1/P	
27	6LK58616000	ARM1-SF-RBT3	1	1/P	
28	6LK57805000	SPRING-CLAMP2-R	1	1/P	
29	6LL54408000	ASYS-CLAMP2-R2-S20	2	1/P	
30	6LL54406000	ASYS-CLAMP2-F1-S20	1	1/P	
31	6LK57804000	SPRING-CLAMP2-F	1	1/P	
32	6LK58618000	ARM2-SF-RBT3	1	1/P	
33	6LL54410000	ASYB-CLAMP2-C-S20	1	1/C	
34	6LK58619100	WHEEL-BUFFER-RBT3_P	3	1/P	
35	6LK58629000	ARM-CHUCK-ALIGN_N	3	1/P	
36	6LK57400000	GEAR-5S40-6	1	1/P	
37	6LK58630100	SFT-CLAMP-BUF-RBT3-PBF2	1	1/P	
38	6LK01400000	MOTR-S-PDL-ALIGN-RBT-2	1	1/C	
39	6LK58442000	ASYS-BRKT-MOTOR-END-CHUCK	1	1/P	
40	X0-02419000	S/TPS/FHEXM/R-3X6-ZU3	4	10/P	

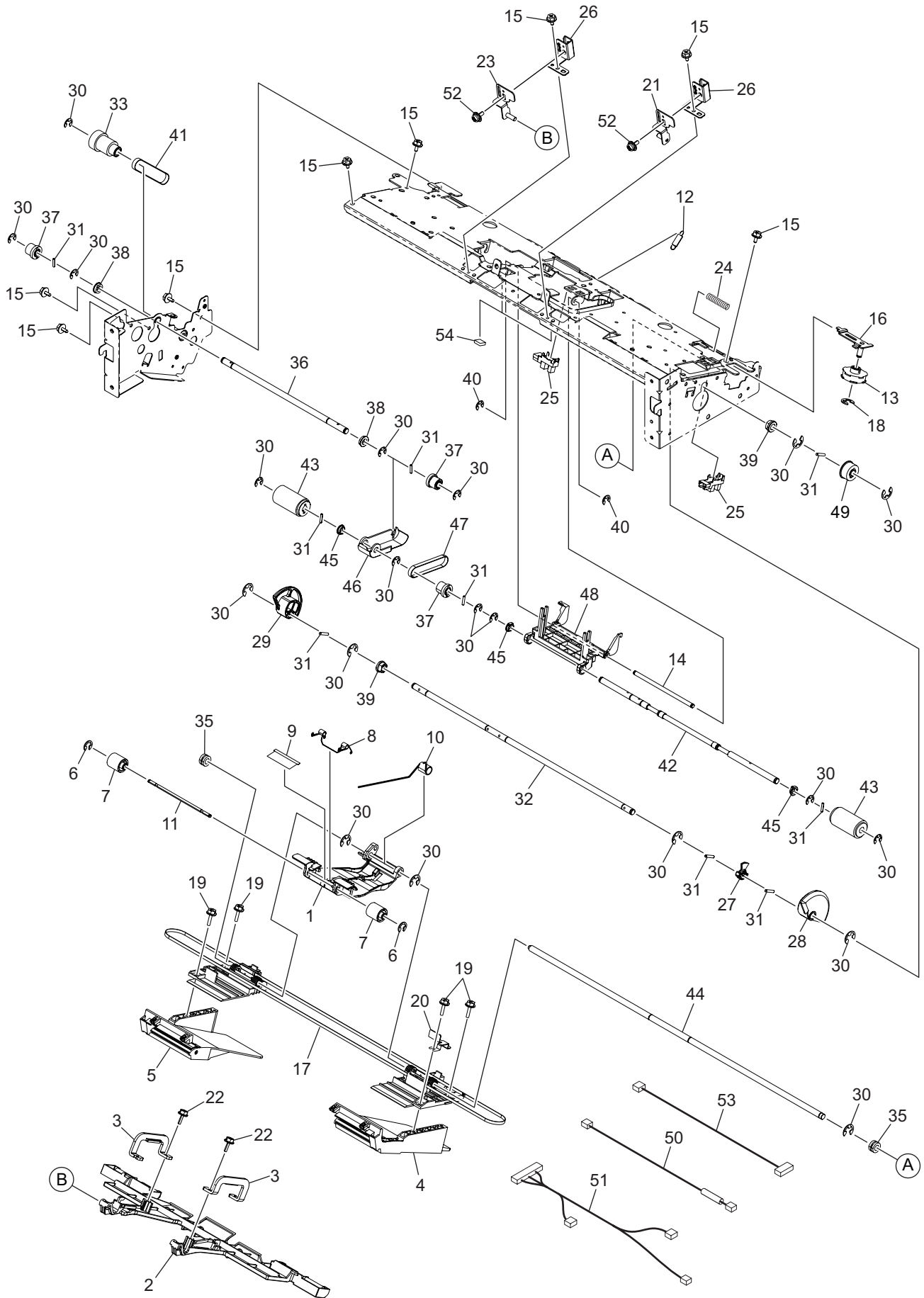




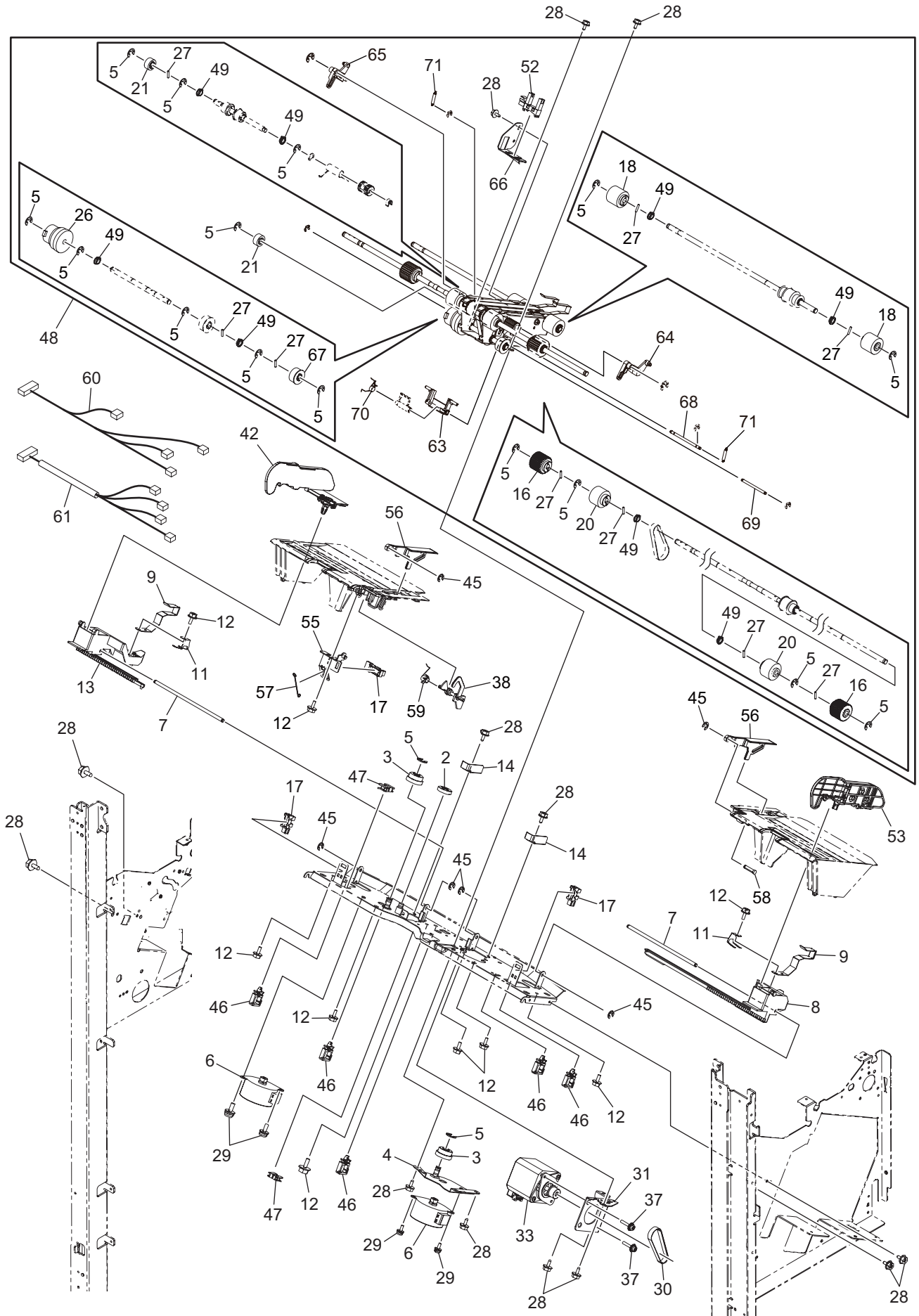
ITEM No.	PART No.	PART NAME	Q'TY / PAGE	Q'TY / PACK	REMARKS
1	6LB10937000	ASYS-FLAP-BU-C-F5330-PBF	1	1/D	
2	X0-00966000	RR/E-5-SS	4	10/P	
3	6LB10822000	PLT-SD-PIVOT-D-BU-C	1	1/P	
4	X0-02419000	S/TPS/FHEXM/R-3X6-ZU3	8	10/P	
5	6LB40716000	MYLAR-CVR-UP-T01	3	1/KP	
6	6LK62473000	HRNS-INLET-SEN-618	1	1/P	
7	6LB42801100	PIN-3X35-PIP-PBF2	10	1/P	
8	6LK58604000	FRM-SIDE-R-BU-C-RBT3	1	1/P	
9	6LB10890000	FILM2-SUPT-TRAY-BU-C	2	1/C	
10	X0-02247000	S/TPP/FHEXM-3X8-NI	17	10/P	
11	F0-00042000	UAMS-05S-2	1	5/P	
12	6LE49741000	BUSH-6X10X6F-POM	2	5/P	
13	6LB10889000	FILM1-SUPT-TRAY-BU-C	1	1/C	
14	6LK58603000	FRM-SIDE-F-BU-C-RBT3	1	1/P	
15	F0-01012000	T18R	2	5/P	
16	6LB10907100	TRAY-GUIDE-BU-C-F5330	1	1/PP	
17	6LB40718000	PLT-EARTH-FEED-U	1	1/P	
18	6LB10830000	SPG-UPR1-BU-C	4	1/P	
19	6LK58627100	ASYS-SOL-10-SL-BUF1_N	1	1/C	
20	6LK58600000	PLATE-EARTH-BUF-RBT3	1	1/P	
21	6LB10891000	FILM3-SUPT-TRAY-BU-C	1	1/C	
22	6LK01600000	CVR-UPPER-BU-C-2	1	1/PP	
23	X0-00050000	S/PAN/SWWP-M3X5-NI	4	10/P	
24	6LB10924100	RLR-EXIT-BU-C-GR-PLC_P	10	1/P	
25	6LK58624000	BRUSH2-C-BUF-UP-RBT3	1	1/KP	
26	6LK57801000	SPG-BTM-BU-C-RBT3	2	1/P	
27	6LB10893000	ASYS-BRKT-SOL-FLP-BU-C	1	1/P	
28	6LK58617000	BRUSH1-BUF-UP-RBT3	2	1/KP	
29	6LB12168100	PIN-2X10-PBF2	1	10/P	
30	6LK62443000	HRNS-PAPER-PATH-SEN-618	1	1/P	
31	F0-01493000	DS-02S	1	5/P	
32	6LH53768000	BUSH-6-NU4	2	1/P	
33	6LB40719100	PLT-CVR-UPPER-BU-RBT3	1	1/P	
34	6LK58400000	GEAR-10S20-6	1	1/P	
35	X0-02642000	S/TPP/FPAN-3X6-ZB3	4	10/P	
36	6LK01603000	BRUSH-TRAY-R-BU-C	1	1/KP	
37	6LK01602000	BRUSH-TRAY-F-BU-C	1	1/KP	
38	6LK58602000	BRKT2-SENSOR-RBT3	1	1/P	
39	C0-14695000	GP2A230LRSAF	2	1/C	
40	6LK58608000	BRKT-BUFFER-SENS-RBT3	1	1/P	
41	6LB30112000	FILM-TRAY-GUIDE-F-PIT	1	1/C	
42	6LB10831000	SPG-UPR2-BU-C	4	1/P	
43	6LK58601000	CVR-BOTTOM-BU-C-RBT3	1	1/D	
44	6LB10909000	BRKT-FLPA-BU-C	1	1/P	
45	6LB10826000	SPG-FLP-BU-C	1	1/P	
46	6LH78722100	RLR-FEED-TRY-BU-C-RB-PBF2	1	1/KP	
47	6LB30113000	FILM-TRAY-GUIDE-R-PIT	1	1/C	
48	6LK62526000	HRNS-MFP-FIN-618	1	1/P	



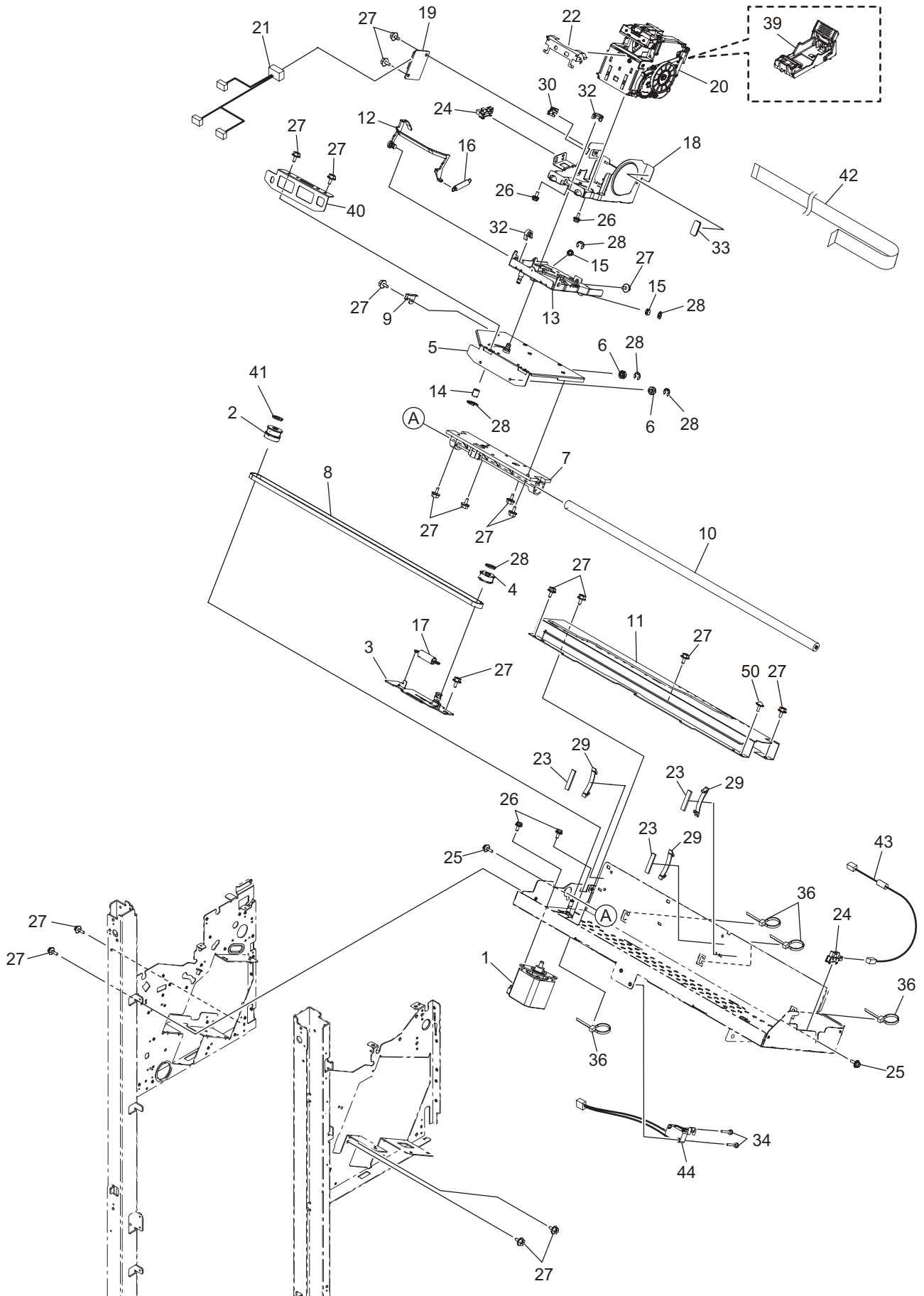
ITEM No.	PART No.	PART NAME	Q'TY / PAGE	Q'TY / PACK	REMARKS
1	6LL54602000	ASYS-MOTR-TRAY-BUF-S20	1	1/C	
2	6LA08935000	SCR-M3X6BISR-NI	4	10/P	
3	6LB10927100	BUSH-LINK-TRAY-BU-C_P	2	1/P	
4	X0-00060000	S/PAN/SWWP-M3X6-NI	2	10/P	
5	F0-01715000	LWS-3S-V0	2	5/P	
6	6LK58808100	ASYS-HLDR-MOTR-BUF2-RBT_N	1	1/P	
7	F0-00042000	UAMS-05S-2	11	5/P	
8	X0-02419000	S/TPS/FHEXM/R-3X6-ZU3	7	10/P	
9	6LK58805100	ASYS-HLDR-TRAY-BUF-RBT3_N	1	1/P	
10	F0-01493000	DS-02S	3	5/P	
11	6LK58801000	PLATE-UPR-TRAY-BUF2	2	1/P	
12	6LK01400000	MOTR-S-PDL-ALIGN-RBT-2	1	1/C	
13	X0-00059000	S/PAN/SWWS-M3X6-NI	2	10/P	
14	6LK58001000	BLT-40-S2M-132	1	1/P	
15	6LK58819000	BRKT-SOL-RLR-LIFT-RBT3	1	1/P	
16	X0-00050000	S/PAN/SWWP-M3X5-NI	4	10/P	
17	6LB09805100	ARM-E-RLR-2-BUF_P	1	1/P	
18	6LK58862000	FELT-SOL-BUF-2-RBT3	1	1/P	
19	6LL54605000	ASYS-SOL-10LSA-BUF-S20	1	1/C	
20	6LK58853100	ASYS-SOL-KN10SL-DC-BUF_N	1	1/C	
21	X0-02594000	S/TPD3/FHEXM-3X10-ZU3	3	10/P	
22	6LB09852000	DUMPER_SCREW	3	5/P	
23	F0-01634000	3382330-30065	3	5/P	
24	6LB40939000	DUMPER-BUF-R-PIT	3	1/P	
25	6LK57802000	SPG-RLR-LIFT-BUF	2	1/P	
27	F0-01811000	LWS-0711S-V0	5	5/P	
28	X0-00964000	RR/E-3-SS	1	10/P	
29	6LK58858000	MYLAR-BUF-HRNS	2	1/P	
30	6LK62445000	HRNS-TOP-MTR-618	1	1/P	
31	6LJ41865000	HRNS-CBRY-FG2-202	1	1/P	



ITEM No.	PART No.	PART NAME	Q'TY / PAGE	Q'TY / PACK	REMARKS
1	6LK58813000	LEVER-ROL-BUF	1	1/P	
2	6LK58863000	GUIDE-ASST-ARM-BUF-2	1	1/C	
3	6LK58857000	ASYS-GUIDE-ASST-ARM-CAM	2	1/P	
4	6LK58849000	ASYB-TRAY-F-BUF	1	1/PP	
5	6LK58850000	ASYB-TRAY-R-BUF	1	1/PP	
6	X0-00963000	RR/E-2-SS	2	10/P	
7	6LB10899000	RLR-D15XL20-BU-C	2	1/P	
8	6LK57807000	SPG-NS-PRESS-ROL-RBT3	1	1/P	
9	6LK58839000	BRUSH1-LEV-ROL-RBT3	1	1/KP	
10	6LK57808000	SPG-REV-PLT-LRV-ROL	1	1/P	
11	6LK58866100	SHAFT-3XLONG-RBT3-PBF2	1	1/P	
12	6LK57803000	SPG1-ASST-ARM-BUF	1	1/P	
13	6LB08617100	PLY-MOTOR-P	1	1/P	
14	6LK58870100	SFT-GEAR-EXT-RLR-PBF2	1	1/P	
15	X0-02419000	S/TPS/FHEXM/R-3X6-ZU3	8	10/P	
16	6LB09824100	ASYS-PLT-TENSSION-BUF_N	1	1/P	
17	6LH79913000	ASYS-TRAY-BELT-BUF-RBT	1	1/KP	
18	X0-00965000	RR/E-4-SS	1	10/P	
19	X0-02248000	S/TPP/FHEXM-3X10-NI	4	10/P	
20	6LK58802000	PLATE-TRAY-UP-F-RBT3	1	1/P	
21	6LK58828100	ASYS-PLT-GUI-AS-F-RBT3_N	1	1/P	
22	X0-02247000	S/TPP/FHEXM-3X8-NI	2	10/P	
23	6LK58827100	ASYS-PLT-GUI-AS-R-RBT3_N	1	1/P	
24	6LH79924000	SPG-TENSSION-BUF-RBT	1	1/P	
25	C0-20495000	LG2A24BL1	2	1/C	
26	6LK58825000	PLT-GUIDE-AST-SD-RBT3	2	1/P	
27	6LK58823000	ACTR-SEN-ASST-ARM	1	1/P	
28	6LK58821000	CAM-ASST-ARM-BUF-F	1	1/P	
29	6LK58822000	CAM-ASST-ARM-BUF-R	1	1/P	
30	X0-00966000	RR/E-5-SS	20	10/P	
31	6LB12168100	PIN-2X10-PBF2	9	10/P	
32	6LK58867100	SHAFT-DRV-CAM-ASST-PBF2	1	1/P	
33	6LK57401000	GEAR-5S40-PS2M18-6	1	1/P	
35	6LK58864000	GLOMET-6X8X11-YA	2	5/P	
36	6LK58869100	SFT-RLR-EXIT-BUF-2-PBF2	1	1/P	
37	6LB08622000	PULLY-S2M18-6-SF	3	1/P	
38	F0-02079000	LF-1060ZZHP0P25LY727	2	1/P	
39	6LE49741000	BUSH-6X10X6F-POM	2	5/P	
40	X0-00964000	RR/E-3-SS	2	10/P	
41	6LK58002000	BLT-40-S2M-140	1	1/P	
42	6LK58868100	SFT-RLR-EXIT-BUFFER-PBF2	1	1/P	
43	6LK57600000	ASYS-RLR-BUF	2	1/P	
44	6LK58871100	SFT-TRY-BUF-RBT3-PBF2	1	1/P	
45	6LL54200000	BUSH-6X8X3F-CUC-MTL_CAM	3	1/P	
46	6LK58824000	LINK-RLR-BUF	1	1/P	
47	6LK58000000	BLT-40-S2M-120	1	1/P	
48	6LK58820000	ARM-E-RLR-BUF-RBT3	1	1/P	
49	6LB39507100	PULLY-S2M28-6-SF-PIT_P	1	1/P	
50	6LK62471000	HRNS-CPL-620	1	1/P	
51	6LK62469000	HRNS-TOP-SEN-620	1	1/P	
52	X0-00060000	S/PAN/SWWP-M3X6-NI	2	10/P	
53	6LL56297000	HRNS-SFT-TRY-SEN-665	1	1/P	
54	6LH79915000	DAMPER-RLR-LIFT-BUF	2	1/P	

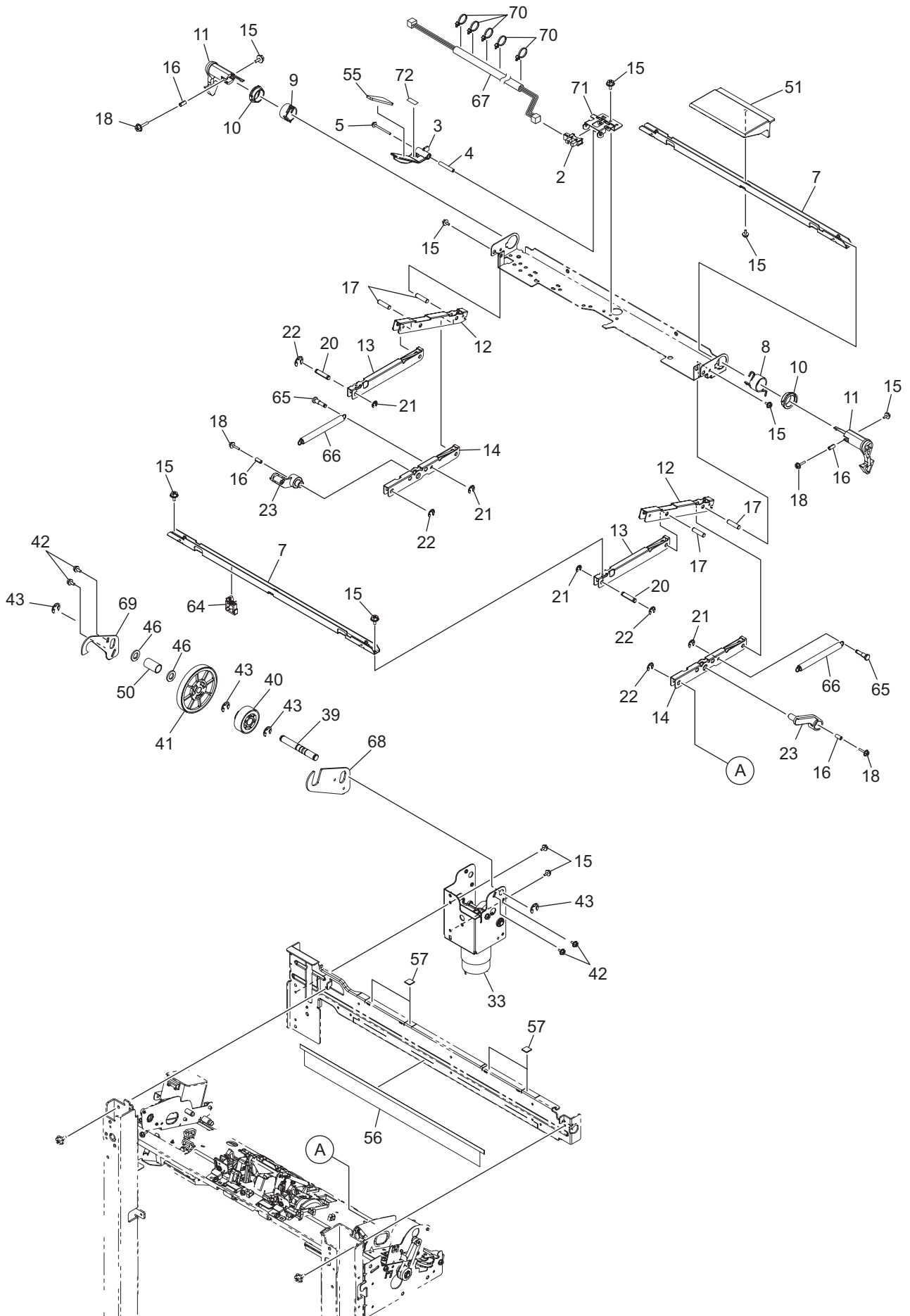


ITEM No.	PART No.	PART NAME	Q'TY / PAGE	Q'TY / PACK	REMARKS
2	6LB0860000	GEAR-10S16-6-SO	1	1/P	
3	6LB39505100	GEAR-5S40-10S16-6-PIT_P	2	1/P	
4	6LB10214100	ASYS-BRKT-MOTR-SO_N	1	1/P	
5	X0-00965000	RR/E-4-SS	17	10/P	
6	6LK01401000	MOTR-S-PDL-ALIGN-2	2	1/C	
7	6LB10230000	SHAFT-GUIDE-P-SIDE-PBF1	2	1/P	
8	6LB10208000	RACK-GUIDE-P-SIDE-FR	1	1/KP	
9	6LL54703000	ASYS-PLT-STOP-S20	2	1/P	
11	6LB10222000	PLATE-EARTH-SO	2	1/C	
12	X0-02246000	S/TPP/FHEXM-3X6-NI	9	10/P	
13	6LB10209000	RACK-GUIDE-P-SIDE-RR	1	1/KP	
14	6LB41108000	PLATE-SLIDE-GUIDE	2	1/P	
16	6LB39706000	ASYS-RLR-SF-22R5	2	1/P	
17	C0-20495000	LG2A24BL1	3	1/C	
18	6LB10609000	ASYS-RLR-SF	2	1/P	
20	6LK59009000	ASYS-RLR-SF-22R5-RBT3	2	1/P	
21	6LB08621000	GEAR-10S14-6-DV	2	1/P	
26	6LB08406000	CLUCH-26G-6-10S30	1	1/D	
27	6LB12168100	PIN-2X10-PBF2	9	10/P	
28	X0-02419000	S/TPS/FHEXM/R-3X6-ZU3	13	10/P	
29	X0-00059000	S/PAN/SWWS-M3X6-NI	4	10/P	
30	6LB39510000	BLT-60S2M138-SF-PIT	1	1/P	
31	6LH80102000	BRKT-MOTR-SF-RBT	1	1/P	
33	6LK59040000	MOTR-PR-TRAY-RBT3-M	1	1/C	
37	X0-00060000	S/PAN/SWWP-M3X6-NI	2	10/P	
38	6LK59022000	ACTR-P-SNSR-SF-RBT3	1	1/P	
42	6LH80151100	ASYB-PLT-JOG-R-PR-TRAY-BK	1	1/D	
45	X0-00964000	RR/E-3-SS	6	10/P	
46	F0-01811000	LWS-0711S-V0	5	5/P	
47	F0-01493000	DS-02S	2	5/P	
48	6LL54707000	ASYB-SHEAF-FEED-S20	1	1/C	
49	6LL54200000	BUSH-6X8X3F-CUC-MTL_CAM	8	1/P	
52	C0-15544000	LG285D1	1	1/P	
53	6LH80150100	ASYB-PLT-JOG-F-PR-TRAY-BK	1	1/D	
55	6LK59005100	ASYS-BRKT-P-SNSR-SF-RBT_N	1	1/P	
56	6LK59017000	GUIDE-PR-TRAY-RBT3	2	1/P	
57	6LK57800000	SPG-BRKT-SNSR-SF-RBT3	1	1/P	
58	6LK59055100	SFT-BRKT-SNSR-SF-RB3-PBF2	1	1/P	
59	6LK59044000	SPG-ACTR-P-SNSR-SF-RBT3	1	1/P	
60	6LK62435000	HRNS-EXIT-TRAY-MTR-618	1	1/P	
61	6LK62436000	HRNS-EXIT-TRAY-SEN-618	1	1/P	
63	6LK59020000	ACTR-LINK-SF-RBT3	1	1/P	
64	6LK59018000	ARM-LINK-F-SF-RBT3	1	1/P	
65	6LK59019000	ARM-LINK-R-SF-RBT3	1	1/P	
66	6LB41121000	BRKT-ARM-OPPO	1	1/P	
67	6LB39507100	PULLY-S2M28-6-SF-PIT_P	1	1/P	
68	6LK59054100	SFT-SPG-LINK-SF-RBT3-PBF2	1	1/P	
69	6LK59053100	SHAFT-LINK-SF-RBT3-PBF2	1	1/P	
70	6LK59028000	SPG-ACTR-LINK-RBT3	1	1/P	
71	6LK59029000	SPG-ARM-LINK-SF-RBT3	2	1/P	

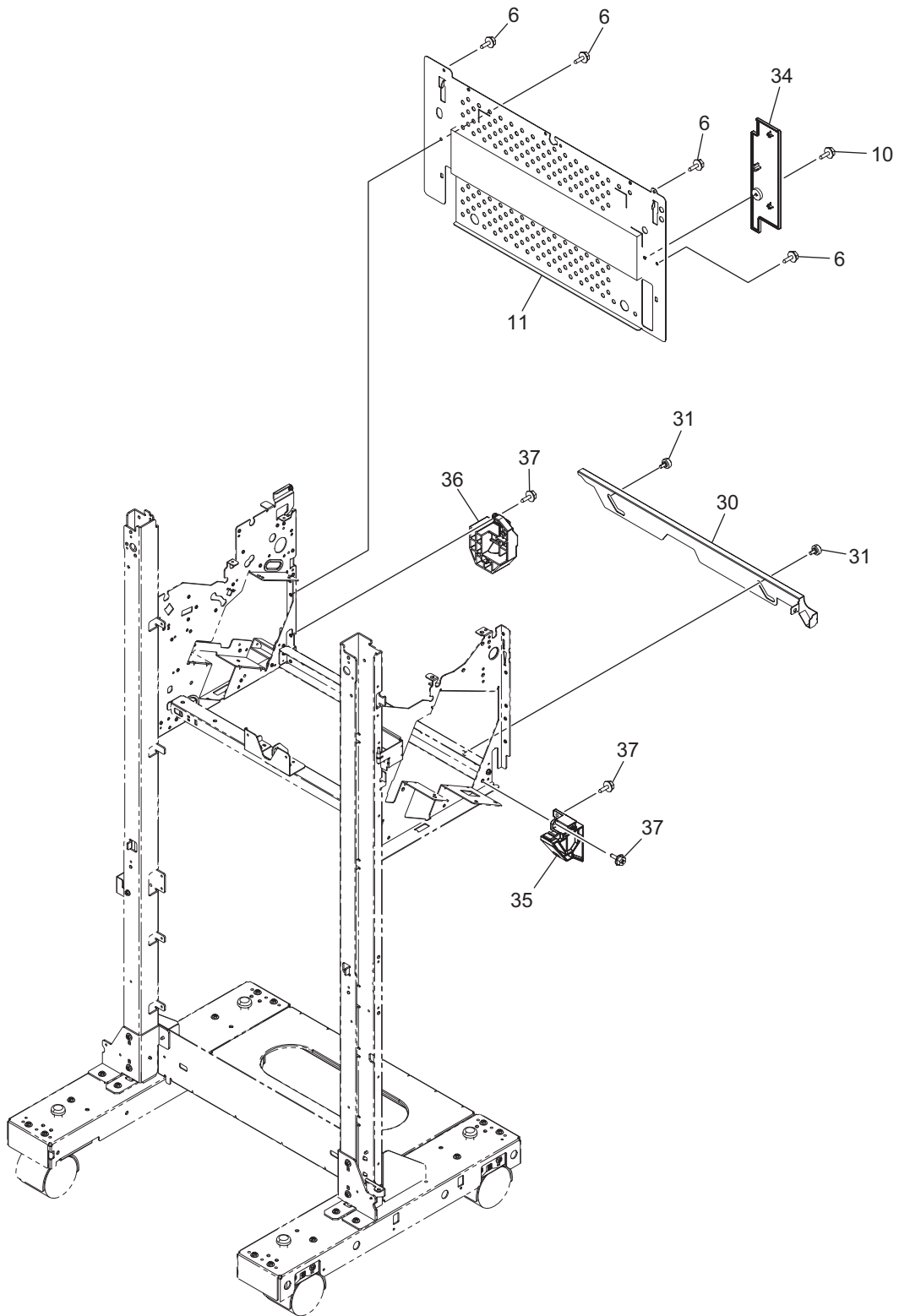




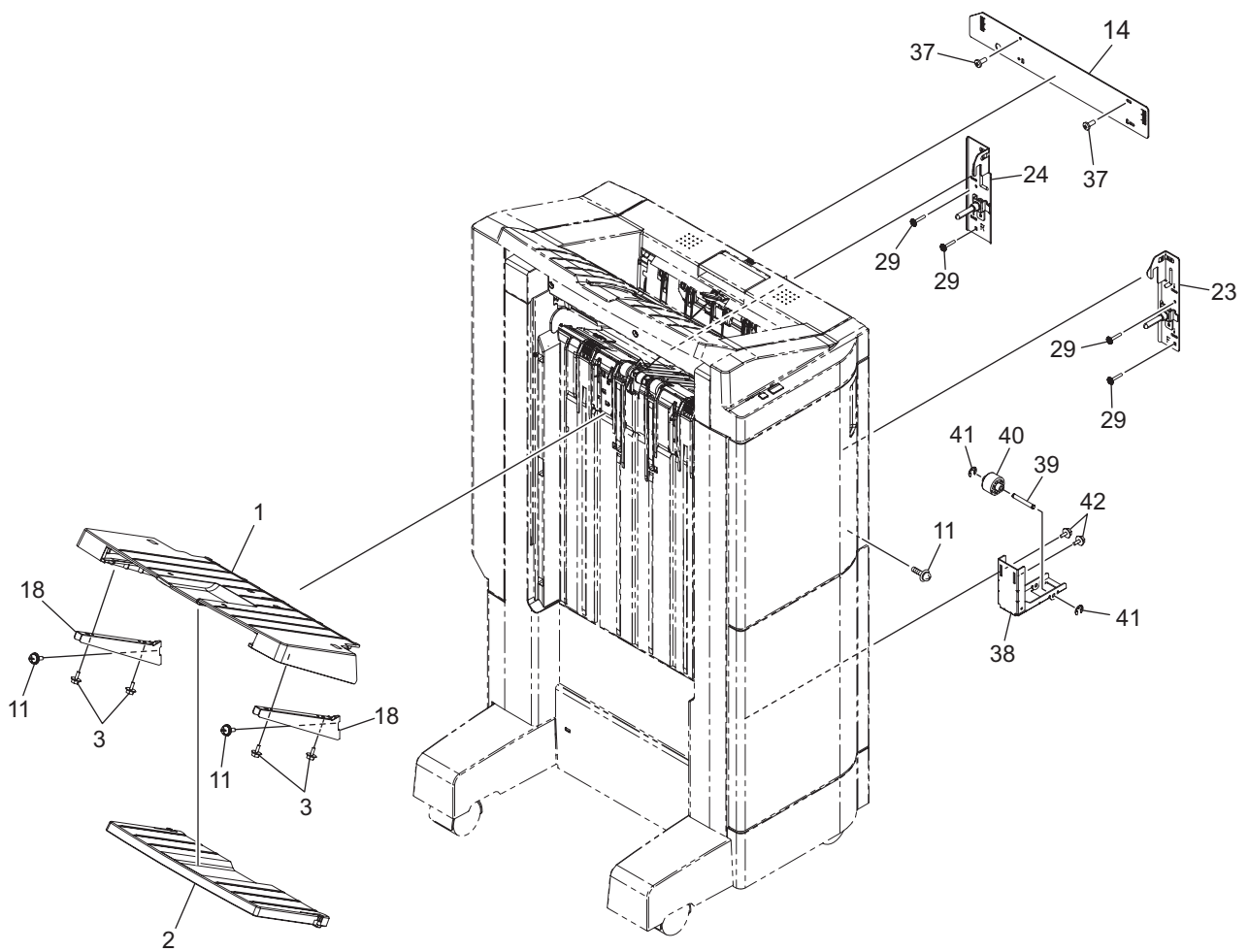
ITEM No.	PART No.	PART NAME	Q'TY / PAGE	Q'TY / PACK	REMARKS
1	6LK59210000	MOTR-STAPLE-RBT3-M	1	1/C	
2	6LK59200000	PLY-S3M20-GEAR-6S40	1	1/P	
3	6LB10460100	ASYS-PLT-PLY-STPL_N	1	1/P	
4	6LB08619100	PLY-CARR-STPL_P	1	1/P	
5	6LL54802000	ASYS-CARR-STPL-2-S20	1	1/P	
6	6LB08804000	RLR-CARR-STPL	2	1/P	
7	6LB10450000	ASYS-S-CARRIER	1	1/P	
8	6LL54814000	BLT-50S3M-900-SP	1	1/P	
9	6LB10431000	PLATE-EARTH-STPL	1	1/P	
10	6LB10500100	SHAFT-CARR-STPL-PBF2	1	1/KP	
11	6LB10403000	PLATE-TURN-RAIL	1	1/P	
12	6LB10425000	ACTR-STPL	1	1/C	
13	6LL54805000	ASYS-BASE-STPL_S20	1	1/P	
14	6LB08806100	RLR-SLIDE-STPL_P	1	1/P	
15	6LB08805000	RLR-BASE-STPL	2	1/P	
16	6LB09011000	SPG-ACRT-STPL	1	1/P	
17	6LL54100000	SPG-CARR-STPL-S20	1	1/P	
18	6LL54810000	PLATE-TURN-STPL_S20	1	1/P	
19	6LB12404000	PWA-SPR-101	1	1/C	
20	6LL54818000	STAPLE_65_EH-C600T	1	1/C	
21	6LB12424000	HRNS-SPRCAR	1	1/P	
22	6LL54811000	PLATE-GID-HOLD-ARM-S20	1	1/C	
23	6LB10404000	RUBR-STPL	3	5/P	
24	C0-20495000	LG2A24BL1	2	1/C	
25	X0-00077000	S/PAN/SWWP-M3X8-NI	2	10/P	
26	X0-00059000	S/PAN/SWWS-M3X6-NI	4	10/P	
27	X0-02419000	S/TPS/FHEXM/R-3X6-ZU3	19	10/P	
28	X0-00964000	RR/E-3-SS	6	10/P	
29	F0-01286000	FCR-30	3	5/P	
30	F0-01493000	DS-02S	1	5/P	
32	6LE49743000	STOP-RING-6-5-POM	2	5/P	
33	6LH83031000	LABEL-GREEN-1	1	5/P	
34	X0-02060000	S/TPS/PAN-3X16-ZU3	2	10/P	
36	F0-01012000	T18R	4	5/P	
39	6LL56554000	EH-C600T-CARTRIDGE	1	1/C	
40	6LH80305000	PLT-GUIDE-SUPPT-SW-STAPLE	1	1/P	
41	X0-00966000	RR/E-5-SS	1	10/P	
42	6LK62647000	HRNS-SPRFFC-618JS	1	1/C	
43	6LK62448000	HRNS-SPRSFTHP-SEN-618	1	1/P	
44	6LK62527000	HRNS-SPRSFTSW-618	1	1/P	
50	6LA08935000	SCR-M3X6BISR-NI	1	10/P	



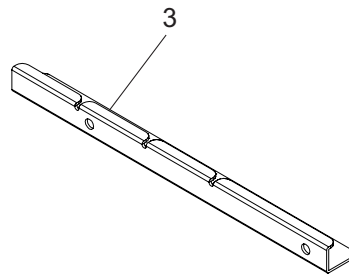
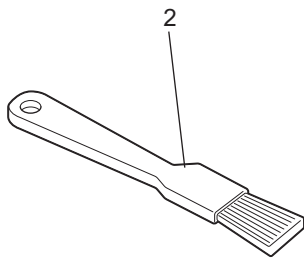
ITEM No.	PART No.	PART NAME	Q'TY / PAGE	Q'TY / PACK	REMARKS
2	C0-20495000	LG2A24BL1	1	1/C	
3	6LB10801100	ACT-TRAY-BU-C_P	1	1/P	
4	F0-01485000	3382330-30250	1	5/P	
5	X0-02098000	S/PAN/SWWP-M3X30-NI	1	10/P	
7	6LB10820000	LVR-PLT-SFT-BU-C	2	1/P	
8	6LB10828000	SPG-LVR-OPN-F-BU-C	1	1/P	
9	6LB10829000	SPG-LVR-OPN-R-BU-C	1	1/P	
10	6LB10802000	BUSH-LEVER-BU-C	2	5/P	
11	6LK59807000	LEVER-BU-C-S18	2	1/P	
12	6LB10821000	PLATE-LINK-BU-C	2	1/P	
13	6LB41914000	LINK-TRAY-PIT-BU-C	2	1/P	
14	6LB10819100	LINK-TRAY-BU-1	2	1/P	
15	X0-02419000	S/TPS/FHEXM/R-3X6-ZU3	10	10/P	
16	F0-01484000	3382330-30090	4	5/P	
17	6LB12171100	PIN-5X20-PBF2	4	10/P	
18	X0-02595000	S/TPD3/FHEXM-3X12-ZU3	4	10/P	
20	6LB10935100	SD-PIVOT-D-BU-C-PBF2	2	1/P	
21	X0-00964000	RR/E-3-SS	4	10/P	
22	X0-00966000	RR/E-5-SS	4	10/P	
23	6LB10807100	LINK-COV-BTM-BU-C_P	2	1/P	
33	6LL54906000	ASYB-BOX-GEAR-TRAY-VS20	1	1/C	
39	6LB11193000	SHAFT3-DRV-TRAY-PBF1	1	1/P	
40	6LB11025000	GEAR-12R5S21-8-TRAY	1	1/P	
41	6LB11026000	GEAR-12R5S51-8-TRAY	1	1/P	
42	X0-00059000	S/PAN/SWWS-M3X6-NI	4	10/P	
43	X0-00968000	RR/E-7-SS	4	10/P	
46	X0-02351000	W/PL/SJ0-8-NI	2	5/P	
50	6LB11035000	SPG-DRV-TRAY	1	1/P	
51	6LB10806D00	LEVER-TRAY-BU-C-SSAJB	1	1/P	
55	6LB30114100	DAMPER-TRAY-BU-C-PIT	1	1/P	
56	6LK58861000	BRUSH-STAY-TOP	1	1/KP	
57	6LB09954000	FELT-SOL-BU-C	4	1/P	
64	F0-01811000	LWS-0711S-V0	1	5/P	
65	6LB10934100	SD-LINK-TRAY-BU-C-PBF2	2	1/P	
66	6LB10930000	SPG-LINK-TRAY	2	1/P	
67	6LB42946000	HRNS-FIN1-B-PTJ	1	1/P	
68	6LB11081000	PLT-GEAR-HOLD-FRT-TRAY	1	1/P	
69	6LB11082000	PLT-GEAR-HOLD-RER-TRAY	1	1/P	
70	F0-01012000	T18R	5	5/P	
71	6LK59801100	ACT-PLT-BU-1	1	1/P	
72	6LB41922000	FELT-TRAY-BU-C-PIT	1	1/P	



ITEM No.	PART No.	PART NAME	Q'TY / PAGE	Q'TY / PACK	REMARKS
6	X0-02419000	S/TPS/FHEXM/R-3X6-ZU3	4	10/P	
10	X0-02681000	S/TPD3/FHEXM/R-3X8-ZB3	1	10/P	
11	6LB09621100	COVER-FEED-LOW-IN-VLT3	1	1/P	
30	6LH81313000	LEVER-LOCK-RBT	1	1/P	
31	6LB09432000	SCREW-LEVER-M3_6	2	1/P	
34	6LH81324600	COVER-RIGHT-SSAJB	1	1/P	
35	6LH81312000	HOLDER-STUD-CN-F	1	1/P	
36	6LK58202000	HOLDER-STUD-CN-R-RBT3	1	1/P	
37	X0-02420000	S/TPS/FHEXM/R-3X8-ZU3	3	10/P	



ITEM No.	PART No.	PART NAME	Q'TY / PAGE	Q'TY / PACK	REMARKS
1	6LL55001000	ASYS-TRAY-FN-S20	1	1/PP	
2	6LK60012000	SUBTRAY-FN-RBT3-SSAJB	1	1/PP	
3	X0-02246000	S/TPP/FHEXM-3X6-NI	4	10/P	
11	X0-00077000	S/PAN/SWWP-M3X8-NI	3	10/P	
14	6LJ90804300	PLATE-RELAY-UNIT-JB	1	1/PP	
18	6LB41715000	STAY-BIN-TRAY-PIT-01	2	1/P	
23	6LJ90801100	ASYS-HOOK-JF-RBT2_N	1	1/P	
24	6LJ90800100	ASYS-HOOK-JR-RBT2_N	1	1/P	
29	X0-02376000	S/TPS/FPAN-4X14-ZU3	4	5/P	
37	X0-02677000	S/TPS/BID-4X10-ZB3	2	5/P	
38	6LB09402000	BRKT-SUPT-RLR	1	1/P	
39	6LB09464000	PIN-RLR-FRM-CENTER-PBF1	1	1/P	
40	6LB09404100	RLR-FRM-CENTER_P	1	1/P	
41	X0-00966000	RR/E-5-SS	2	10/P	
42	X0-02419000	S/TPS/FHEXM/R-3X6-ZU3	2	10/P	





ITEM No.	PART No.	PART NAME	Q'TY / PAGE	Q'TY / PACK	REMARKS
2	4407915710	BRUSH-33	1	1/P	
3	6LB10056000	JIG-GID-PDL-2	1	1/P	
11	6LB45000000	SANKOL-CFD-409M-90G	1	1/P	

**TOSHIBA**

**Toshiba Tec Corporation**

1-11-1, OSAKI, SHINAGAWA-KU, TOKYO, 141-8562, JAPAN