

TOSHIBA

SERVICE PARTS LIST

Saddle Stitch Finisher

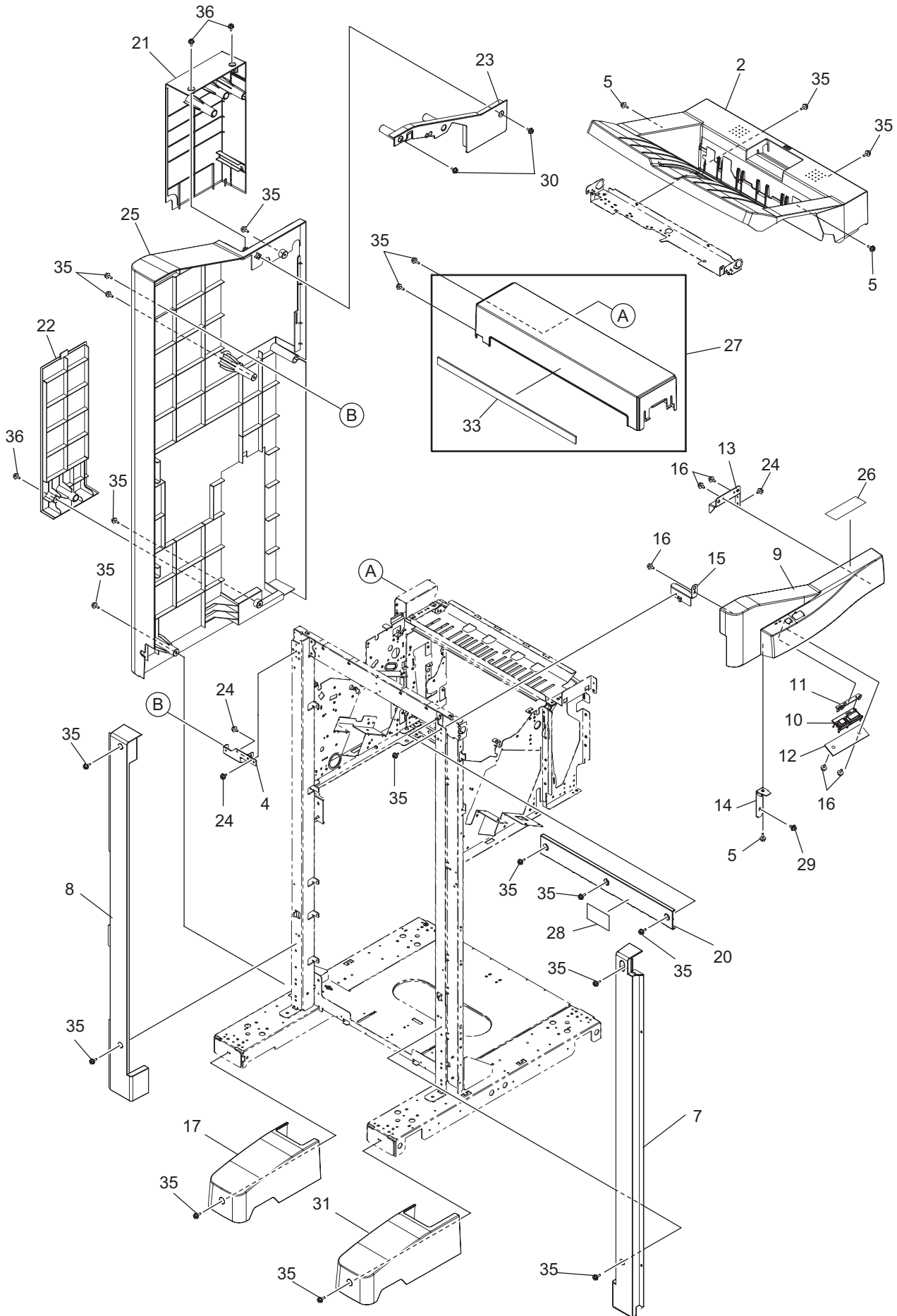
MJ-1110

© 2016 TOSHIBA TEC CORPORATION All rights reserved

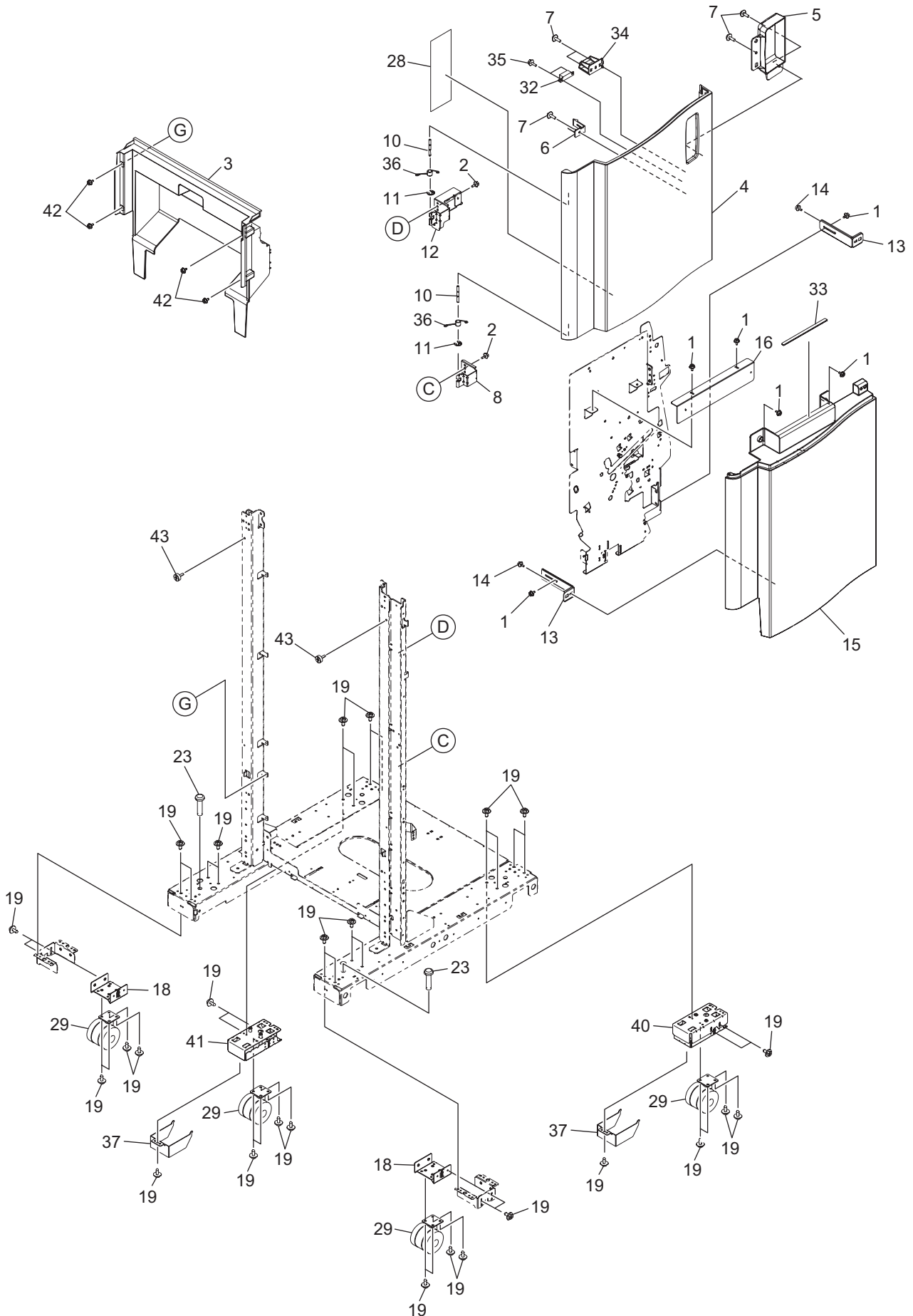
Under the copyright laws, this manual cannot be reproduced in any form without prior written permission of TOSHIBA TEC CORPORATION. No patent liability is assumed, however, with respect to the use of the information contained herein.

CONTENTS

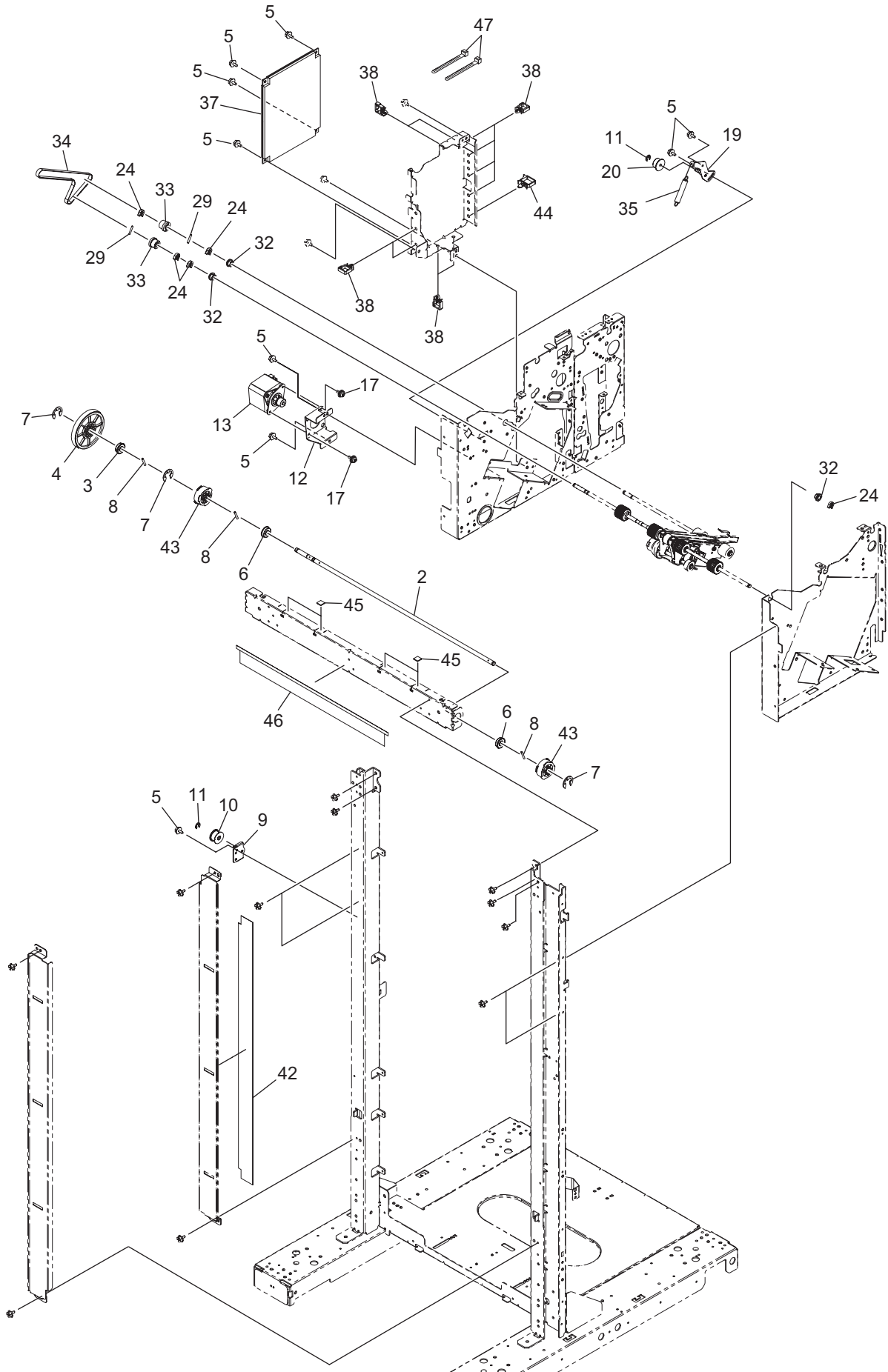
COVER-1-ASM	1
COVER-2-ASM	2
PAPER GUIDE-ASM	3
FRAME-BASE-TRAY-ASM.....	4
FRAME-ALGIN-1-ASM	5
FRAME-ALGIN-2-ASM	6
BUFFER-1-ASM.....	7
BUFFER-2-ASM.....	8
BUFFER-3-ASM.....	9
SORT-ASM.....	10
STAPLE-ASM.....	11
SORT-TRAY-ASM	12
ATTACHMENT-ASM	13
ACCESSORIES-ASM	14
JCT-BOX-ASYM-SDL.....	16
GUIDE-RAIL-SDL-ASM	17
FRAME-SD-ASM	18
FOLD-GEAR-ASM	19
STACK-ASM.....	20
P-PRESS-ASM	21
STAPLE-ASM-SDL.....	22
SORT-ASYM-SD	23
EFS-SDL-1-ASM.....	24
EFS-SDL-2-ASM.....	25
SW-BACK-1-ASM	26
SW-BACK-2-ASM	27
SW-BACK-3-ASM	28
ACCESSORIES-SDL-ASM	29
JIGS_&_GREASE.....	51

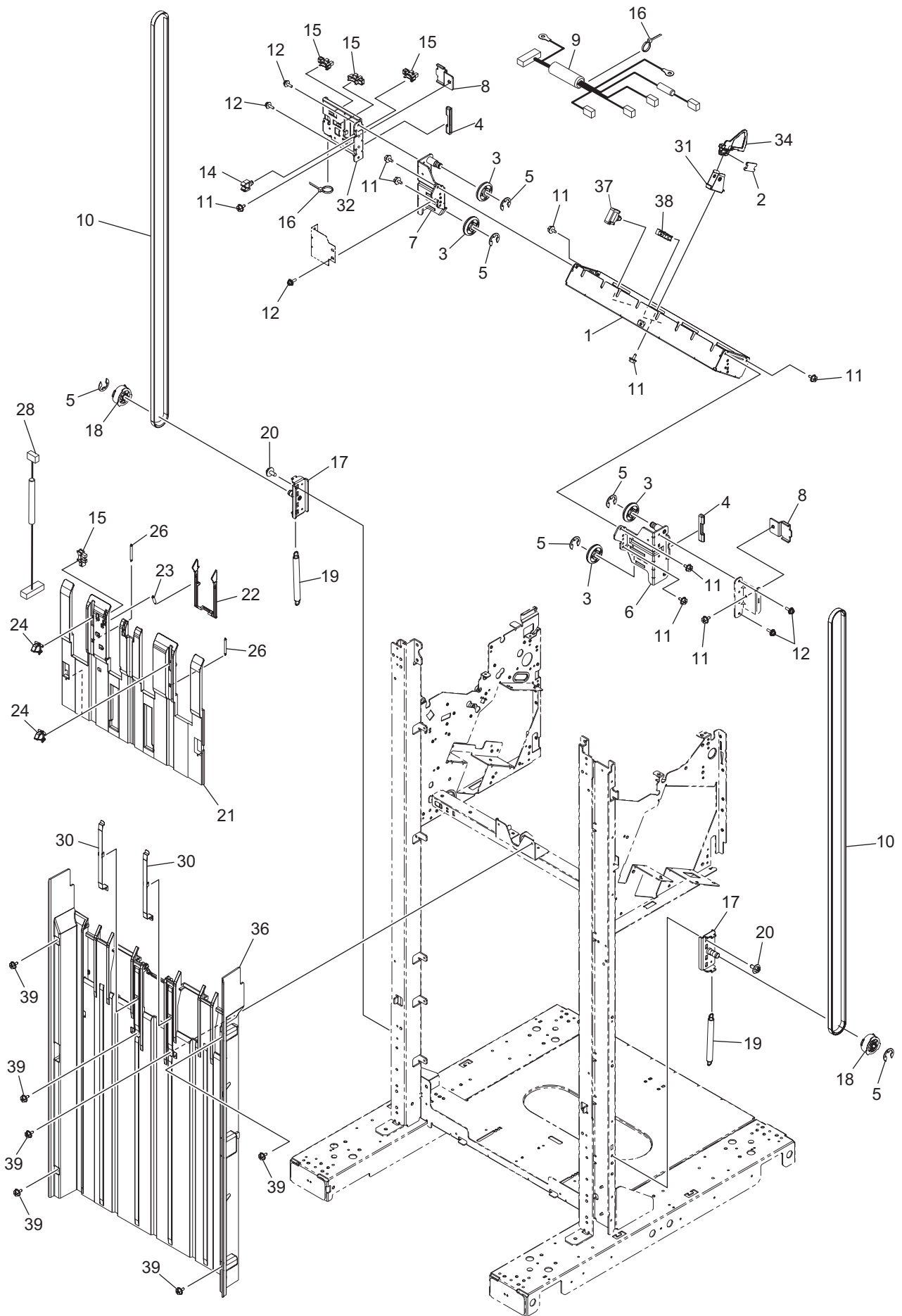


ITEM No.	PART No.	PART NAME	Q'TY / PAGE	Q'TY / PACK	REMARKS
2	6LK02805100	ASYB-TRAY-DBL-BU-C-VI3	1	1/PP	
4	6LB40304000	STAY-CVR-RER-TOP-PIT	1	1/P	
5	X0-02420000	S/TPS/FHEXM/R-3X8-ZU3	3	10/P	
7	6LB42119400	COVER-RAIL-FRONT-PITA-AJB	1	1/KP	
8	6LB42120400	COVER-RAIL-REAR-PITA-AJB	1	1/KP	
9	6LK60016000	COVER-FRT-TP-RBT3-SSJB	1	1/PP	
10	6LB11226400	KEY-TOP-STPL-SSAJB	1	1/C	
11	6LB11251000	LED-TOP-2	1	1/D	
12	6LB12405000	PWA-CPL-101	1	1/C	
13	6LB42107000	BRKT-TOP-R-PIT	1	1/P	
14	6LB42101000	BRKT-COV-TOP-L	1	1/P	
15	6LB42102000	BRKT-COV-TOP-L-PIT-2	1	1/P	
16	X0-02246000	S/TPP/FHEXM-3X6-NI	5	10/P	
17	6LB42138300	COVER-FOOT-REAR-PITA-AJB	1	1/P	
20	6LK60005000	ASYB-COV-LEFT-TOP-RBT3	1	1/PP	
21	6LK60009000	COVER-OPTION-2-RBT3-SSJB	1	1/PP	
22	6LK60008000	COVER-OPTION-1-RBT3-SSJB	1	1/PP	
23	6LB42121300	COVER-REAR-FRONT-PIT-AJB	1	1/PP	
24	X0-02419000	S/TPS/FHEXM/R-3X6-ZU3	3	10/P	
25	6LK60013000	COVER-RER-RBT3-SSJB	1	1/PP	
26	6LK62827000	LBL-MNL-STPL-RBT3	1	1/P	
27	6LJ87600100	ASYS-COVER-TOP-JCT-RBT3	1	1/PP	
28	6LK62800000	LBL-CAUTION-RBT3	1	1/P	
29	X0-00060000	S/PAN/SWWP-M3X6-NI	1	10/P	
30	X0-02247000	S/TPP/FHEXM-3X8-NI	2	10/P	
31	6LB42160300	COVER-FOOT-FRONT-PITA-AJB	1	1/PP	
33	6LB41907000	ABSOBER-TRAY	1	1/KP	
35	X0-02681000	S/TPD3/FHEXM/R-3X8-ZB3	19	10/P	
36	X0-02683000	S/TPP/FHEXM-3X8-ZB3	3	5/P	

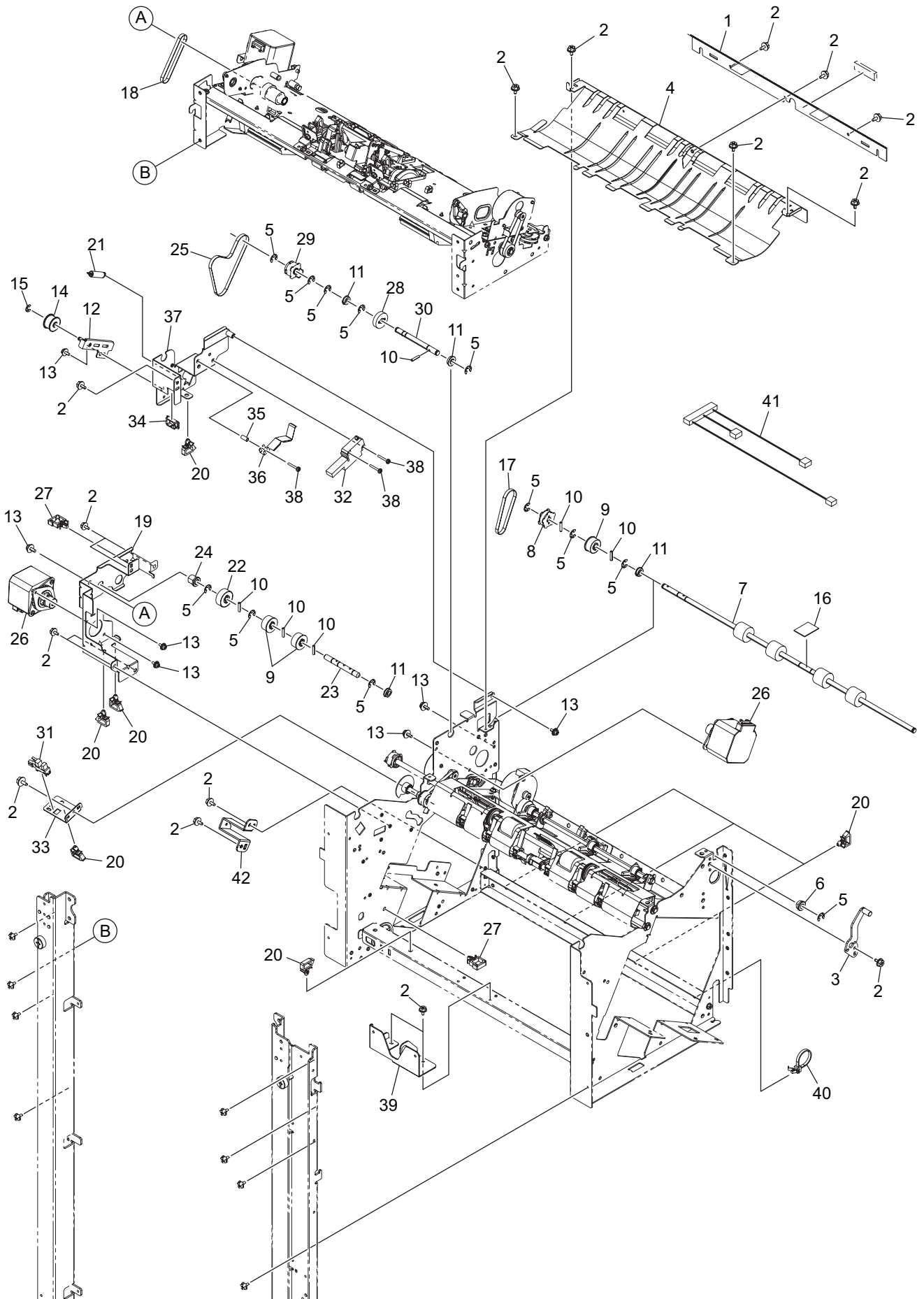


ITEM No.	PART No.	PART NAME	Q'TY / PAGE	Q'TY / PACK	REMARKS
1	X0-02420000	S/TPS/FHEXM/R-3X8-ZU3	6	10/P	
2	X0-02419000	S/TPS/FHEXM/R-3X6-ZU3	2	10/P	
3	6LB30201300	COVER-L-BTM-SDL1-SSJB	1	1/PP	
4	6LK60014000	COVER-FRT-RBT3-SSSG	1	1/PP	
5	6LB42122300	HNDL-DOOR-PIT-TYP2-SSSG	1	1/P	
6	6LB42124000	BRKT-DOOR-LOCK-PIT-T	1	1/P	
7	X0-02252000	S/TPP/FHEXM-4X10-NI	5	10/P	
8	6LB42103000	BRKT-DOOR-HING-PIT	1	1/P	
10	6LB42108000	PIN-DOOR-HING-PIT	2	1/P	
11	X0-00964000	RR/E-3-SS	2	10/P	
12	6LB42104000	BRKT-DOOR-HING-PIT1	1	1/P	
13	6LB42100000	BRKT-COV-BTM	2	1/P	
14	X0-02246000	S/TPP/FHEXM-3X6-NI	2	10/P	
15	6LH81105100	ASYB-COV-FRONT-BTM-RBT3	1	1/PP	
16	6LB42105000	BRKT-FRT-BTM-TOP	1	1/P	
18	6LB09436000	PLT-CASTER-FOOT	2	1/P	
19	X0-02421000	S/TPS/FHEXM/R-4X8-ZU3	42	10/P	
23	X0-02400000	S/PAN-M10X40-NI	2	10/P	
28	6LK62825000	LABEL-STPL-FIN-RBT3	1	1/P	
29	6LB28476000	CASTER_LZ-60N-ROTATE	4	1/D	
32	F0-01393000	CA-0124B	1	1/P	
33	6LJ90414000	LABEL-GREEN-RBT2	1	1/P	
34	6LB42148000	GUIDE-PSN-DOOR-FRT-PIT	1	1/P	
35	X0-02247000	S/TPP/FHEXM-3X8-NI	2	10/P	
36	6LB42134000	SPG-DOOR-PITA	2	1/P	
37	6LH79311000	GUIDE-CASTER	2	1/P	
40	6LH79319000	ASYB-PLT-CAS-F	1	1/D	
41	6LH79318000	ASYB-PLT-CAS-R	1	1/D	
42	X0-02681000	S/TPD3/FHEXM/R-3X8-ZB3	4	10/P	
43	6LE50497000	SCR-HINGE-C	2	5/P	

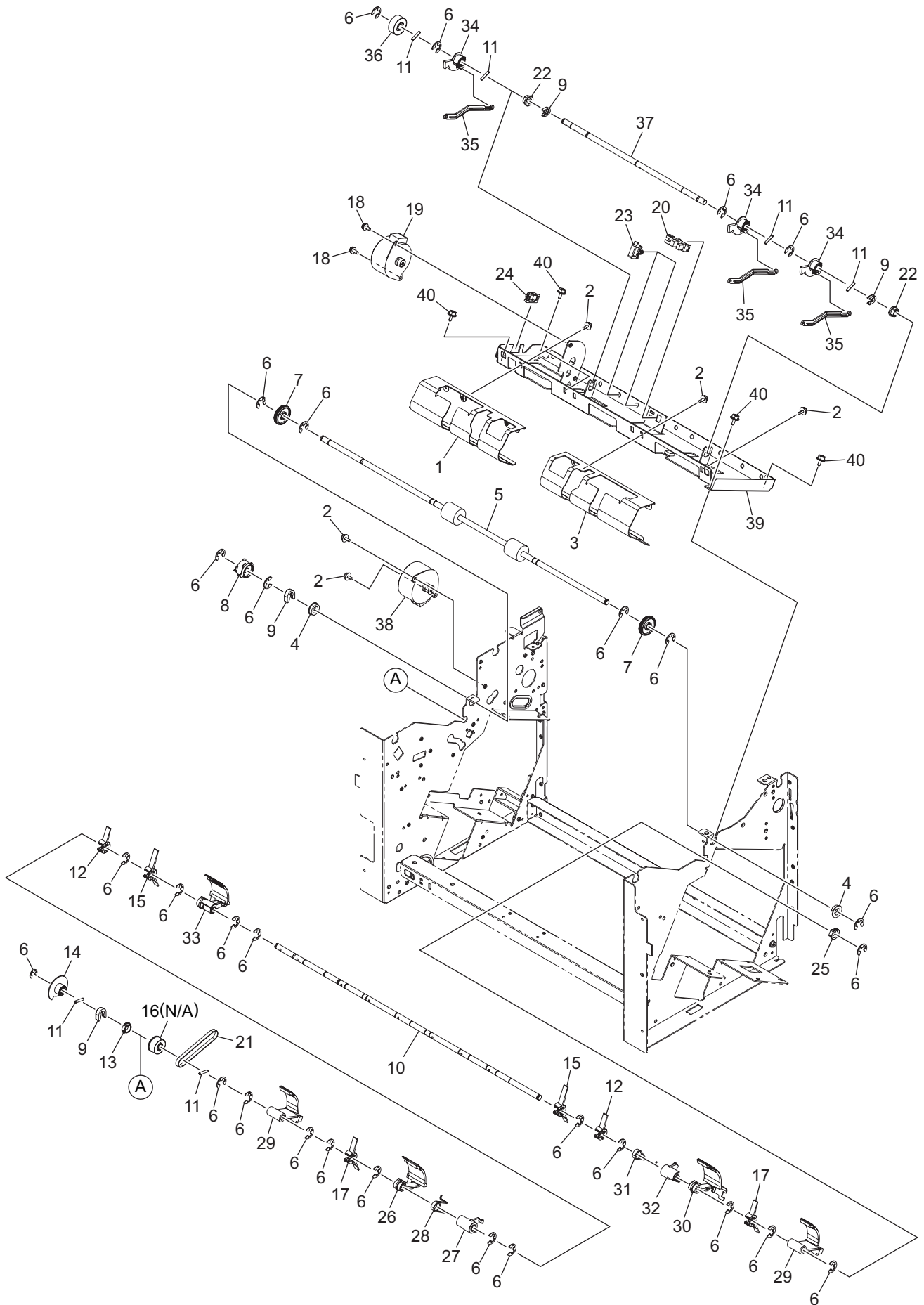




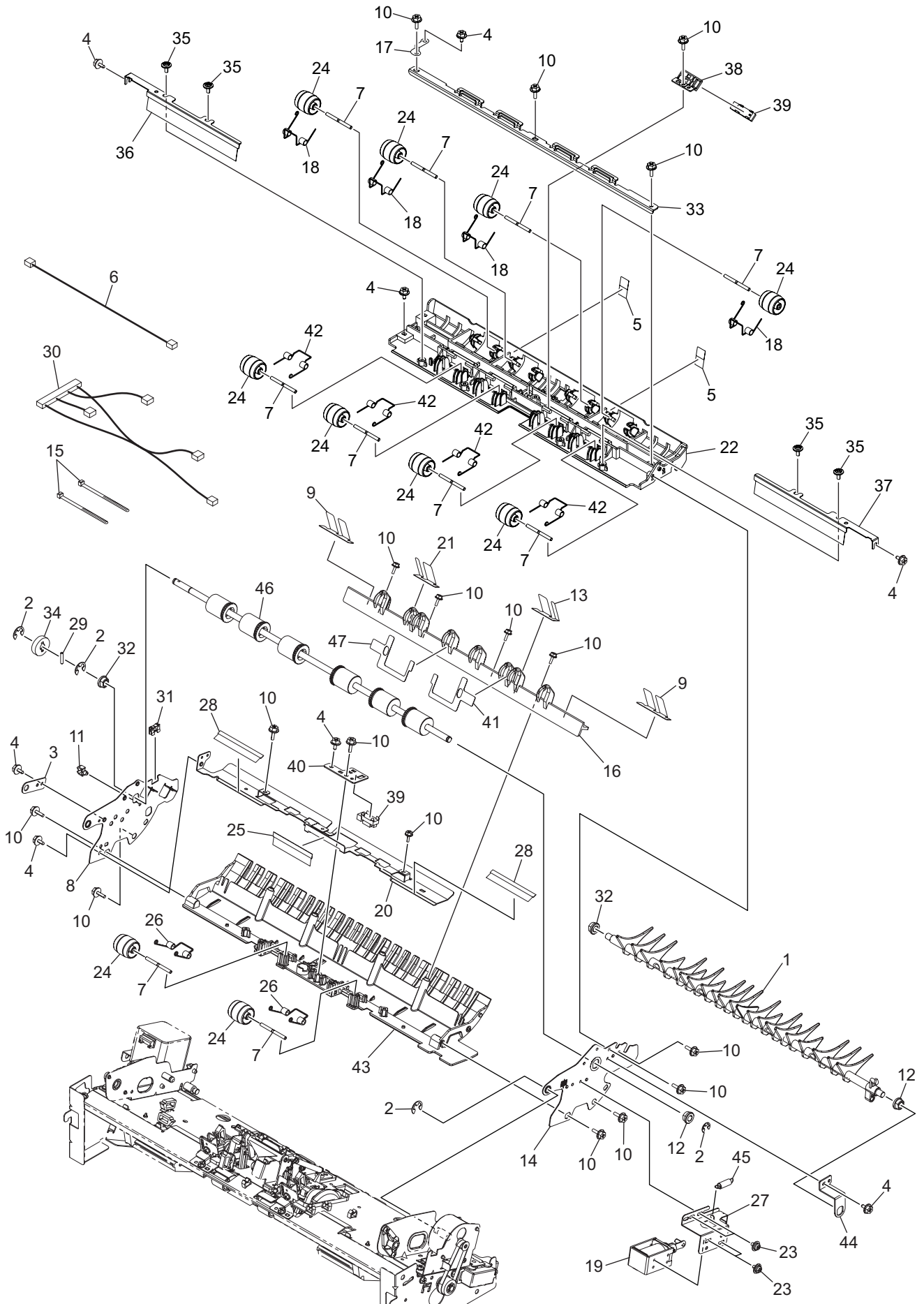
ITEM No.	PART No.	PART NAME	Q'TY / PAGE	Q'TY / PACK	REMARKS
1	6LB11010000	FRAME-BASE-TRAY	1	1/P	
2	6LB10216000	PLATE-P-SNSR-SO	1	1/P	
3	6LB11093000	ROLLER-GUIDE-TRAY	4	1/P	
4	6LB11011000	GUARD-CAP-SLIDERAIL-TRAY	2	1/P	
5	X0-00968000	RR/E-7-SS	6	10/P	
6	6LB11074000	ASYS-RAIL-BRKT-F-TRAY	1	1/P	
7	6LB11075000	ASYS-RAIL-BRKT-R-TRAY	1	1/P	
8	6LB41701000	PLATE-BLT-CLUMP-TRAY	2	1/P	
9	6LK62537000	HRNS-SFTTRY-EAR-618	1	1/P	
10	6LB39509000	BLT-70S5M-1595-PIT	2	1/P	
11	X0-02420000	S/TPS/FHEXM/R-3X8-ZU3	9	10/P	
12	X0-00077000	S/PAN/SWWP-M3X8-NI	5	10/P	
14	F0-00042000	UAMS-05S-2	1	5/P	
15	C0-20487000	GP1A173LCS3F	4	1/P	
16	F0-01846000	YJ-100	2	5/P	
17	6LB41500000	ASYS-PLT-PLY-IDL-TRAY-PIT	2	1/P	
18	6LB39503000	PULLY-S5M18-8-PIT	2	1/P	
19	6LB41519000	SPG-TENS-PLY-TRAY-PIT	2	1/P	
20	X0-02421000	S/TPS/FHEXM/R-4X8-ZU3	2	10/P	
21	6LB41744500	SHUTTER-TRAY-PIT2-TJB	1	1/KP	
22	6LB41743200	ACTR-01-SNSR-TRAY-PIT-SS	1	1/KP	
23	6LB41728000	SPG-ACTR-01-TRAY-40-PIT	1	5/P	
24	6LB41708000	STOP-PAPER-PIT	2	1/P	
26	6LB39900000	SPG-STOP-PIT	2	1/P	
28	6LK62449000	HRNS-SHAT-SEN-618	1	1/P	
30	6LB41706000	PLATE-EARTH-ENCL-PIT	2	1/P	
31	6LB41720000	BRKT-ACTR-FN-PIT	1	1/P	
32	6LK59603000	PLATE-BLT-RER-TRAY	1	1/P	
34	6LB41721000	ACTR-SNSR-FN-PIT	1	1/P	
36	6LB41727100	ASYS-ENCL-L-RBT3	1	1/PP	
37	F0-01810000	LWS-0511S-V0	1	5/P	
38	C0-11250000	LG248NL1	1	1/P	
39	X0-02681000	S/TPD3/FHEXM/R-3X8-ZB3	6	10/P	



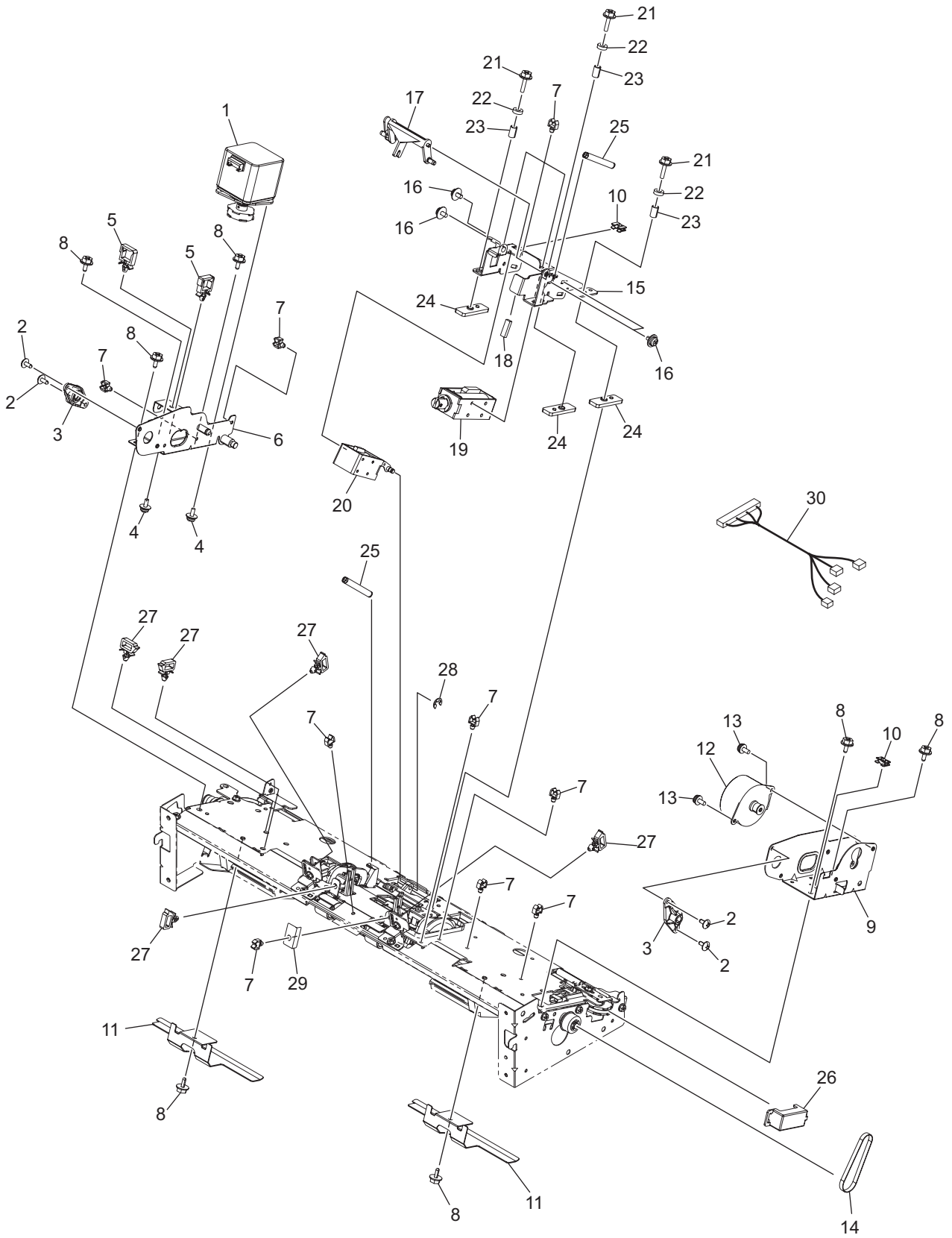
ITEM No.	PART No.	PART NAME	Q'TY / PAGE	Q'TY / PACK	REMARKS
1	6LB40551000	ASYS-MYLAR-FEED-IN-PIT	1	1/C	
2	X0-02419000	S/TPS/FHEXM/R-3X6-ZU3	18	10/P	
3	6LB10838000	ASYS-BRKT-TRY-F-BU-C	1	1/P	
4	6LK58405000	GUIDE-FEED-LOW-RBT3	1	1/D	
5	X0-00966000	RR/E-5-SS	12	10/P	
6	44201492000	BUSH-6-POM	1	5/P	
7	6LK57603000	RLR-FEED-1-RBT3	1	1/P	
8	6LB08609000	PULLY-S2M30-6-5	1	1/P	
9	6LB39507000	PULLY-S2M28-6-SF-PIT	3	1/P	
10	X0-00980000	P/PRL/AH7-2X10-SS	6	10/P	
11	F0-02079000	LF-1060ZZHP0P25LY727	4	1/P	
12	6LK58420000	ASYS-TNSN-EXIT	1	1/P	
13	X0-00060000	S/PAN/SWWP-M3X6-NI	7	10/P	
14	6LB39504000	RLR-TENSION-PIT	1	1/P	
15	X0-00964000	RR/E-3-SS	1	10/P	
16	6LB40550000	SHEET-FEDL-SNSR	1	5/P	
17	6LK58001000	BLT-40-S2M-132	1	1/P	
18	6LK58002000	BLT-40-S2M-140	1	1/P	
19	6LK58404000	BRKT-EXIT-MOTR-RBT3	1	1/P	
20	F0-01810000	LWS-0511S-V0	8	5/P	
21	6LJ37407000	SPG-BLT-TENS-1	1	1/P	
22	6LK57400000	GEAR-5S40-6	1	1/P	
23	6LK58418000	SHAFT-DRV-EXT-RLR-BUF	1	1/P	
24	6LE24986000	BUSH-6X11-GCB	1	5/P	
25	6LB40525000	BLT-40S2M-216-FL-PIT	1	1/P	
26	6LK58438000	MOTR-S-FEED2-RBT3-M	2	1/C	
27	F0-01715000	LWS-3S-V0	2	5/P	
28	6LK58400000	GEAR-10S20-6	1	1/P	
29	6LH79502000	PULLY-S2M28-6-CLUTCH	1	1/P	
30	6LK58422000	SHAFT-GEAR-FEED-1-RBT3	1	1/P	
31	C0-20495000	LG2A24BL1	1	1/C	
32	6LK62438000	HRNS-CVRSW-FRONT-TOP-618	1	1/P	
33	6LB10013000	BRKT-PDL-SNSR	1	1/P	
34	F0-01248000	ESC-0912	1	10/P	
35	F0-01484000	3382330-30090	1	5/P	
36	6LH79504100	SPG-COV-OPENS-W-RBT3	1	1/P	
37	6LK58401000	ASYS-BRKT-FEED-R-RBT3	1	1/P	
38	X0-02060000	S/TPS/PAN-3X16-ZU3	3	10/P	
39	6LB40502000	BRKT-SFT-SHUT-PIT2	1	1/P	
40	F0-00257000	RSG-100	1	5/P	
41	6LK62439000	HRNS-INNER-MTR-SEN-618	1	1/P	
42	6LB11231000	PLT-SPCR-REAR-R-B	1	1/P	

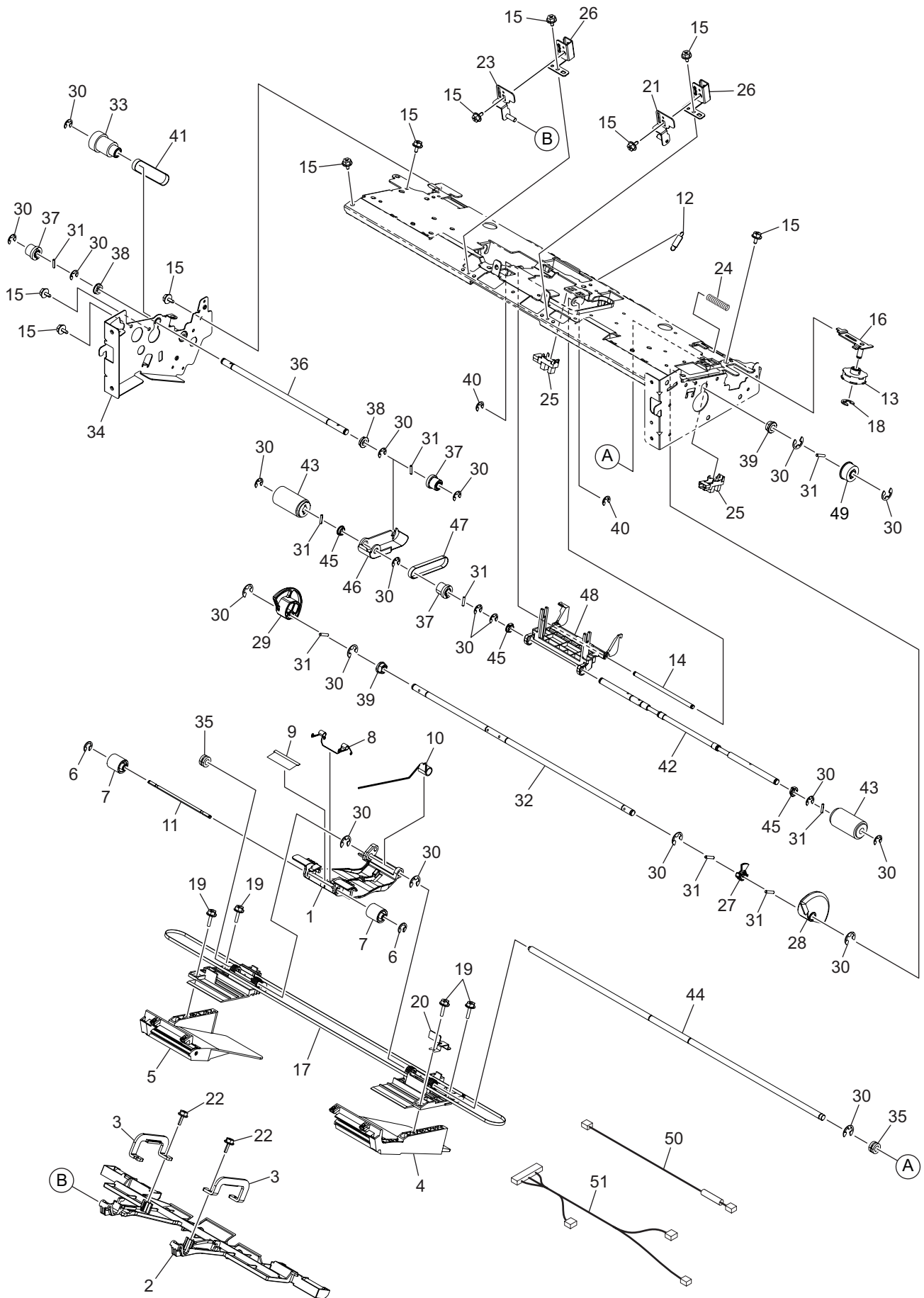


ITEM No.	PART No.	PART NAME	Q'TY / PAGE	Q'TY / PACK	REMARKS
1	6LK58409000	PLATE-GID-PDL-RER-RBT3	1	1/P	
2	X0-00060000	S/PAN/SWWP-M3X6-NI	6	10/P	
3	6LK58408000	PLATE-GID-PDL-FRT-RBT3	1	1/P	
4	F0-02079000	LF-1060ZZHP0P25LY727	2	1/P	
5	6LK57604000	RLR-FEED-2-LOW-RBT3	1	1/P	
6	X0-00966000	RR/E-5-SS	29	10/P	
7	6LK58410000	COL-RLR-23-6	2	1/P	
8	6LH79502000	PULLY-S2M28-6-CLUTCH	1	1/P	
9	6LE49743000	STOP-RING-6-5-POM	4	5/P	
10	6LK58419000	SHAFT-PDL-ALIGN	1	1/P	
11	X0-00980000	P/PRL/AH7-2X10-SS	6	10/P	
12	6LK58414000	ASYS-SPOOL-PDL-ALIGN-3	2	1/P	
13	PVB45-00701	CAM METAL	1	1/P	
14	6LB10020000	WHEEL-SNSR-PDL-VI	1	1/P	
15	6LK58413000	ASYS-SPOOL-PDL-ALIGN-2	2	1/P	
16	6LB39507000	PULLY-S2M28-6-SF-PIT	1	1/P	
17	6LK58412000	ASYS-SPOOL-PDL-ALIGN-1	2	1/P	
18	X0-00059000	S/PAN/SWWS-M3X6-NI	2	10/P	
19	6LK01401000	MOTR-S-PDL-ALIGN-2	1	1/C	
20	C0-20495000	LG2A24BL1	1	1/C	
21	6LK58002000	BLT-40-S2M-140	1	1/P	
22	44201492000	BUSH-6-POM	2	5/P	
23	F0-01810000	LWS-0511S-V0	2	5/P	
24	F0-01248000	ESC-0912	1	10/P	
25	6LH79100000	BUSH-6X8X3F-POM	1	1/P	
26	6LK58615000	ASYS-CLAMP2-R1-RBT3	1	1/P	
27	6LK58616000	ARM1-SF-RBT3	1	1/P	
28	6LK57805000	SPRING-CLAMP2-R	1	1/P	
29	6LK58613000	ASYS-CLAMP2-R2-RBT3	2	1/P	
30	6LK58614000	ASYS-CLAMP2-F1-RBT3	1	1/P	
31	6LK57804000	SPRING-CLAMP2-F	1	1/P	
32	6LK58618000	ARM2-SF-RBT3	1	1/P	
33	6LK58429000	ASYB-CLAMP2-C-RBT3	1	1/P	
34	6LK58619000	WHEEL-BUFFER-RBT3	3	1/P	
35	6LK58621000	ARM-CHUCK-ALIGN	3	1/P	
36	6LK57400000	GEAR-5S40-6	1	1/P	
37	6LK58623000	SFT-CLAMP-BUF-RBT3	1	1/P	
38	6LK01400000	MOTR-S-PDL-ALIGN-RBT-2	1	1/C	
39	6LK58442000	ASYS-BRKT-MOTOR-END-CHUCK	1	1/P	
40	X0-02419000	S/TPS/FHEXM/R-3X6-ZU3	4	10/P	

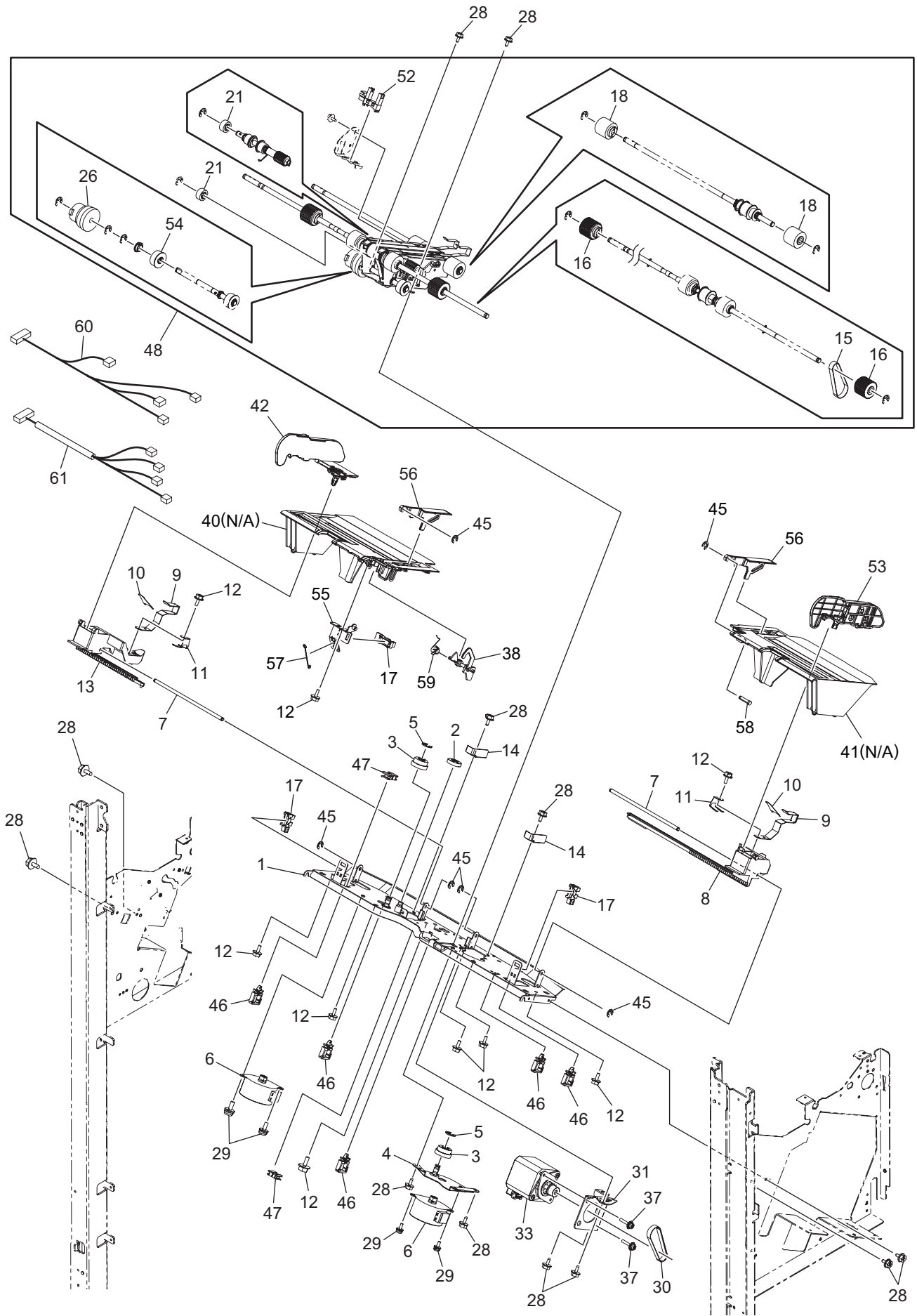


ITEM No.	PART No.	PART NAME	Q'TY / PAGE	Q'TY / PACK	REMARKS
1	6LB10842100	ASYS-FLAP-BU-C-F5330	1	1/D	
2	X0-00966000	RR/E-5-SS	4	10/P	
3	6LB10822000	PLT-SD-PIVOT-D-BU-C	1	1/P	
4	X0-02419000	S/TPS/FHEXM/R-3X6-ZU3	8	10/P	
5	6LB40716000	MYLAR-CVR-UP-T01	2	1/KP	
6	6LK62473000	HRNS-INLET-SEN-618	1	1/P	
7	6LB42751000	PIN-3X35-PIP	10	1/P	
8	6LK58604000	FRM-SIDE-R-BU-C-RBT3	1	1/P	
9	6LB10890000	FILM2-SUPT-TRAY-BU-C	2	1/C	
10	X0-02247000	S/TPP/FHEXM-3X8-NI	17	10/P	
11	F0-00042000	UAMS-05S-2	1	5/P	
12	44201492000	BUSH-6-POM	2	5/P	
13	6LB10889000	FILM1-SUPT-TRAY-BU-C	1	1/C	
14	6LK58603000	FRM-SIDE-F-BU-C-RBT3	1	1/P	
15	F0-01846000	YJ-100	2	5/P	
16	6LB10907100	TRAY-GUIDE-BU-C-F5330	1	1/PP	
17	6LB40718000	PLT-EARTH-FEED-U	1	1/P	
18	6LB10830000	SPG-UPR1-BU-C	4	1/P	
19	6LK58627000	ASYS-SOL-10-SL-BUF1	1	1/C	
20	6LK58600000	PLATE-EARTH-BUF-RBT3	1	1/P	
21	6LB10891000	FILM3-SUPT-TRAY-BU-C	1	1/C	
22	6LK01600000	CVR-UPPER-BU-C-2	1	1/PP	
23	X0-00050000	S/PAN/SWWP-M3X5-NI	4	10/P	
24	6LB10924000	RLR-EXIT-BU-C-GR-PLC	10	1/P	
25	6LK58624000	BRUSH2-C-BUF-UP-RBT3	1	1/KP	
26	6LK57801000	SPG-BTM-BU-C-RBT3	2	1/P	
27	6LB10893000	ASYS-BRKT-SOL-FLP-BU-C	1	1/P	
28	6LK58617000	BRUSH1-BUF-UP-RBT3	2	1/KP	
29	X0-00980000	P/PRL/AH7-2X10-SS	1	10/P	
30	6LK62443000	HRNS-PAPER-PATH-SEN-618	1	1/P	
31	F0-01493000	DS-02S	1	5/P	
32	6LH53768000	BUSH-6-NU4	2	1/P	
33	6LB40719000	PLT-CVR-UPPER-BU-PIT	1	1/P	
34	6LK58400000	GEAR-10S20-6	1	1/P	
35	X0-02642000	S/TPP/FPAN-3X6-ZB3	4	10/P	
36	6LK01603000	BRUSH-TRAY-R-BU-C	1	1/KP	
37	6LK01602000	BRUSH-TRAY-F-BU-C	1	1/KP	
38	6LK58602000	BRKT2-SENSOR-RBT3	1	1/P	
39	C0-14695000	GP2A230LRSAF	2	1/C	
40	6LK58608000	BRKT-BUFFER-SENS-RBT3	1	1/P	
41	6LB30112000	FILM-TRAY-GUIDE-F-PIT	1	1/C	
42	6LB10831000	SPG-UPR2-BU-C	4	1/P	
43	6LK58601000	CVR-BOTTOM-BU-C-RBT3	1	1/D	
44	6LB10909000	BRKT-FLPA-BU-C	1	1/P	
45	6LB10826000	SPG-FLP-BU-C	1	1/P	
46	6LH78707000	RLR-FEED-TRY-BU-C-RBT	1	1/KP	
47	6LB30113000	FILM-TRAY-GUIDE-R-PIT	1	1/C	

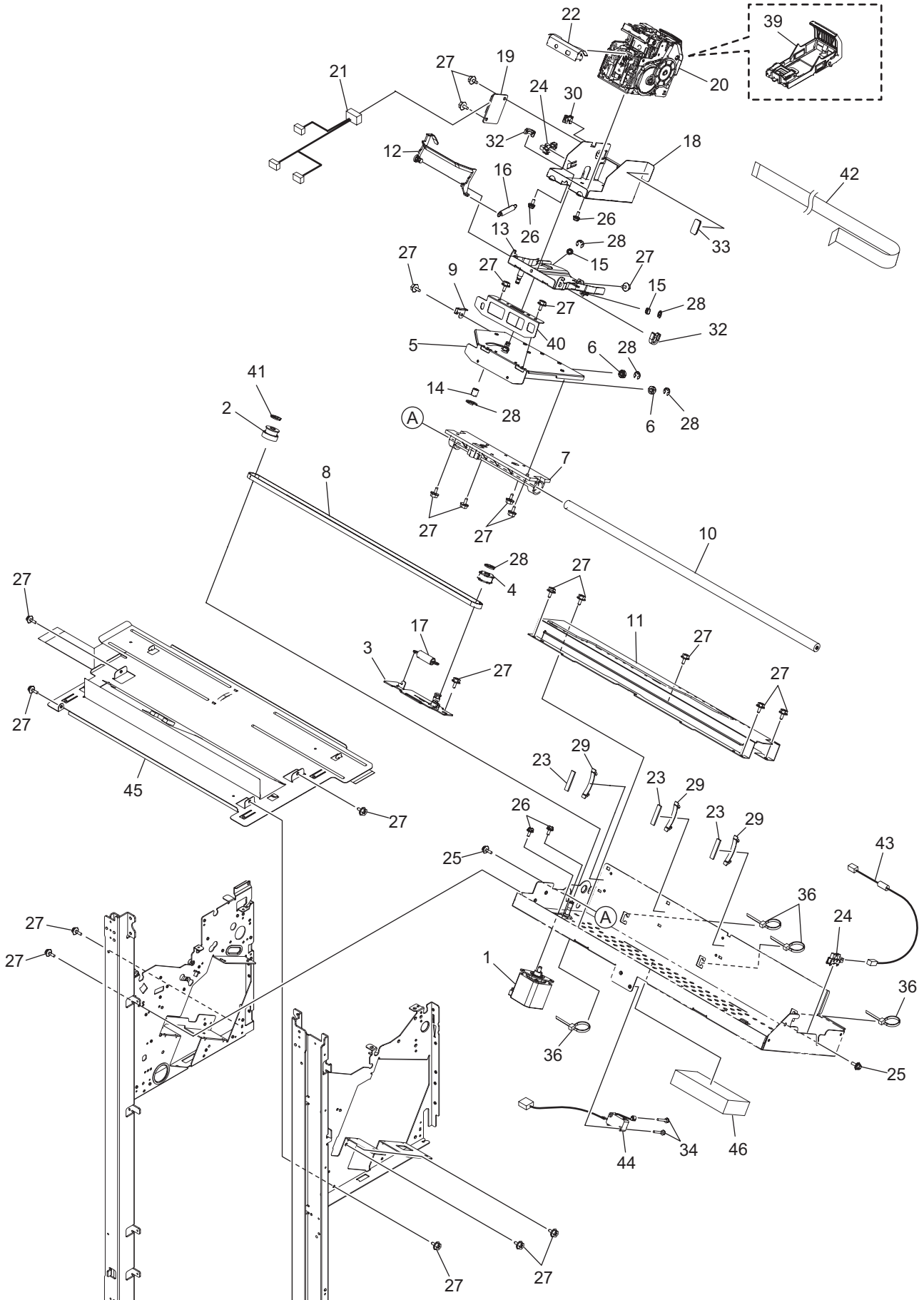




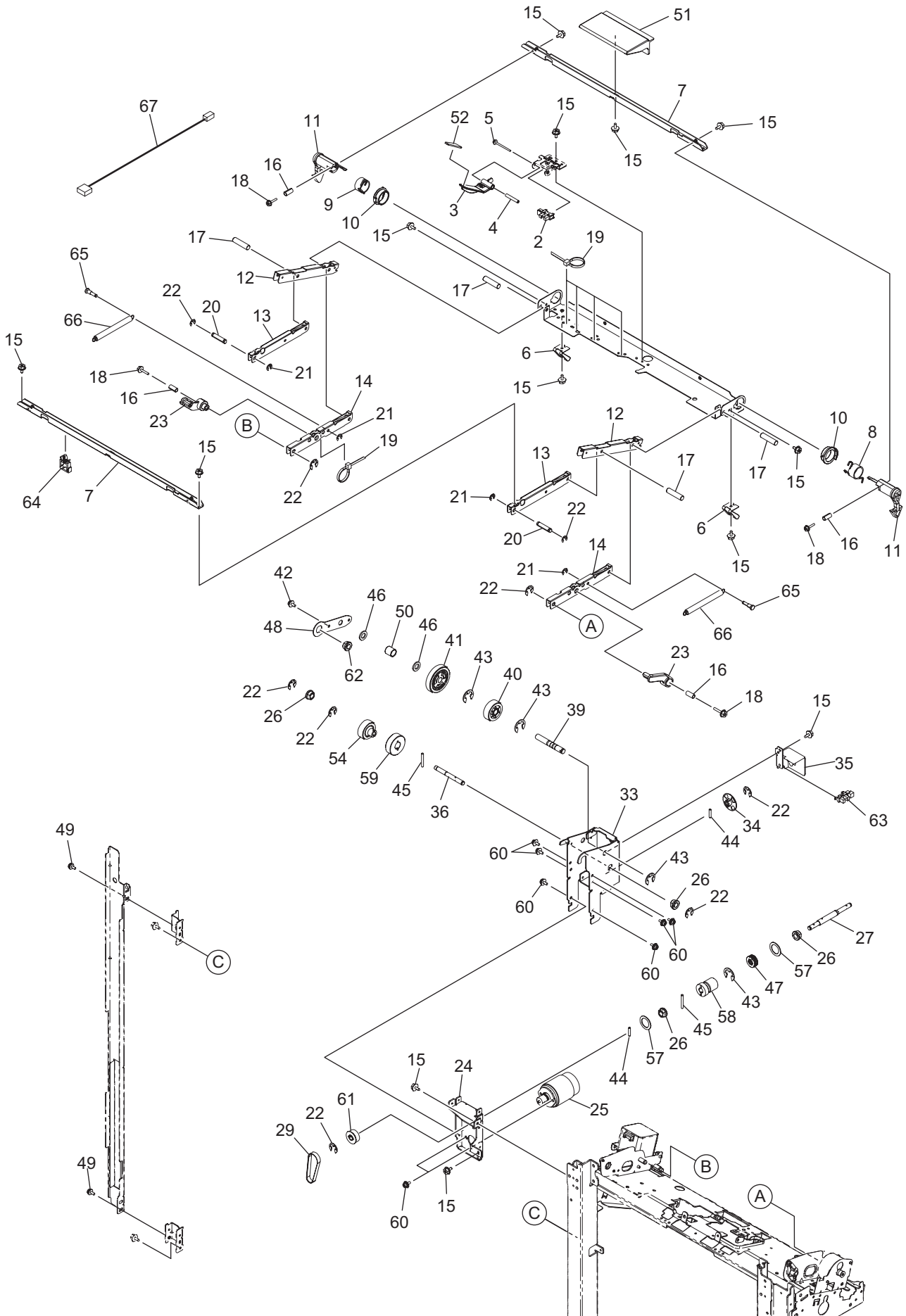
ITEM No.	PART No.	PART NAME	Q'TY / PAGE	Q'TY / PACK	REMARKS
1	6LK58813000	LEVER-ROL-BUF	1	1/P	
2	6LK58830000	GUIDE-ASST-ARM-BUF	1	1/C	
3	6LK58857000	ASYS-GUIDE-ASST-ARM-CAM	2	1/P	
4	6LK58849000	ASYB-TRAY-F-BUF	1	1/PP	
5	6LK58850000	ASYB-TRAY-R-BUF	1	1/PP	
6	X0-00963000	RR/E-2-SS	2	10/P	
7	6LB10899000	RLR-D15XL20-BU-C	2	1/P	
8	6LK57807000	SPG-NS-PRESS-ROL-RBT3	1	1/P	
9	6LK58839000	BRUSH1-LEV-ROL-RBT3	1	1/KP	
10	6LK57808000	SPG-REV-PLT-LRV-ROL	1	1/P	
11	6LK58838000	SHAFT-3XLONG-RBT3	1	1/P	
12	6LK57803000	SPG1-ASST-ARM-BUF	1	1/P	
13	6LB08617000	PLY-MOTOR	1	1/P	
14	6LK58836000	SHAFT-GEAR-EXT-RLR	1	1/P	
15	X0-02419000	S/TPS/FHEXM/R-3X6-ZU3	10	10/P	
16	6LB09824000	ASYS-PLT-TENSSION-BUF	1	1/P	
17	6LH79913000	ASYS-TRAY-BELT-BUF-RBT	1	1/KP	
18	X0-00965000	RR/E-4-SS	1	10/P	
19	X0-02248000	S/TPP/FHEXM-3X10-NI	4	10/P	
20	6LK58802000	PLATE-TRAY-UP-F-RBT3	1	1/P	
21	6LK58828000	ASYS-PLT-GUI-AS-F-RBT3	1	1/P	
22	X0-02247000	S/TPP/FHEXM-3X8-NI	2	10/P	
23	6LK58827000	ASYS-PLT-GUI-AS-R-RBT3	1	1/P	
24	6LH79924000	SPG-TENSSION-BUF-RBT	1	1/P	
25	C0-20495000	LG2A24BL1	2	1/C	
26	6LK58825000	PLT-GUIDE-AST-SD-RBT3	2	1/P	
27	6LK58823000	ACTR-SEN-ASST-ARM	1	1/P	
28	6LK58821000	CAM-ASST-ARM-BUF-F	1	1/P	
29	6LK58822000	CAM-ASST-ARM-BUF-R	1	1/P	
30	X0-00966000	RR/E-5-SS	20	10/P	
31	X0-00980000	P/PRL/AH7-2X10-SS	9	10/P	
32	6LK58833000	SHAFT-DRV-CAM-ASST	1	1/P	
33	6LK57401000	GEAR-5S40-PS2M18-6	1	1/P	
34	6LK58816000	ASYS-FRAME-BUF-R-RBT3	1	1/P	
35	6LB09887000	GLOMET-6X8X11	2	5/P	
36	6LK58835000	SHAFT-RLR-EXIT-BUF-2	1	1/P	
37	6LB08622000	PULLY-S2M18-6-SF	3	1/P	
38	F0-02079000	LF-1060ZZHP0P25LY727	2	1/P	
39	44201492000	BUSH-6-POM	2	5/P	
40	X0-00964000	RR/E-3-SS	2	10/P	
41	6LK58002000	BLT-40-S2M-140	1	1/P	
42	6LK58834000	SHAFT-RLR-EXIT-BUFFER	1	1/P	
43	6LK57600000	ASYS-RLR-BUF	2	1/P	
44	6LK58837000	SFT-TRY-BUF-RBT3	1	1/P	
45	PVB45-00701	CAM METAL	3	1/P	
46	6LK58824000	LINK-RLR-BUF	1	1/P	
47	6LK58000000	BLT-40-S2M-120	1	1/P	
48	6LK58820000	ARM-E-RLR-BUF-RBT3	1	1/P	
49	6LB39507000	PULLY-S2M28-6-SF-PIT	1	1/P	
50	6LK62464000	HRNS-CPL-618	1	1/P	
51	6LK62446000	HRNS-TOP-SEN-618	1	1/P	



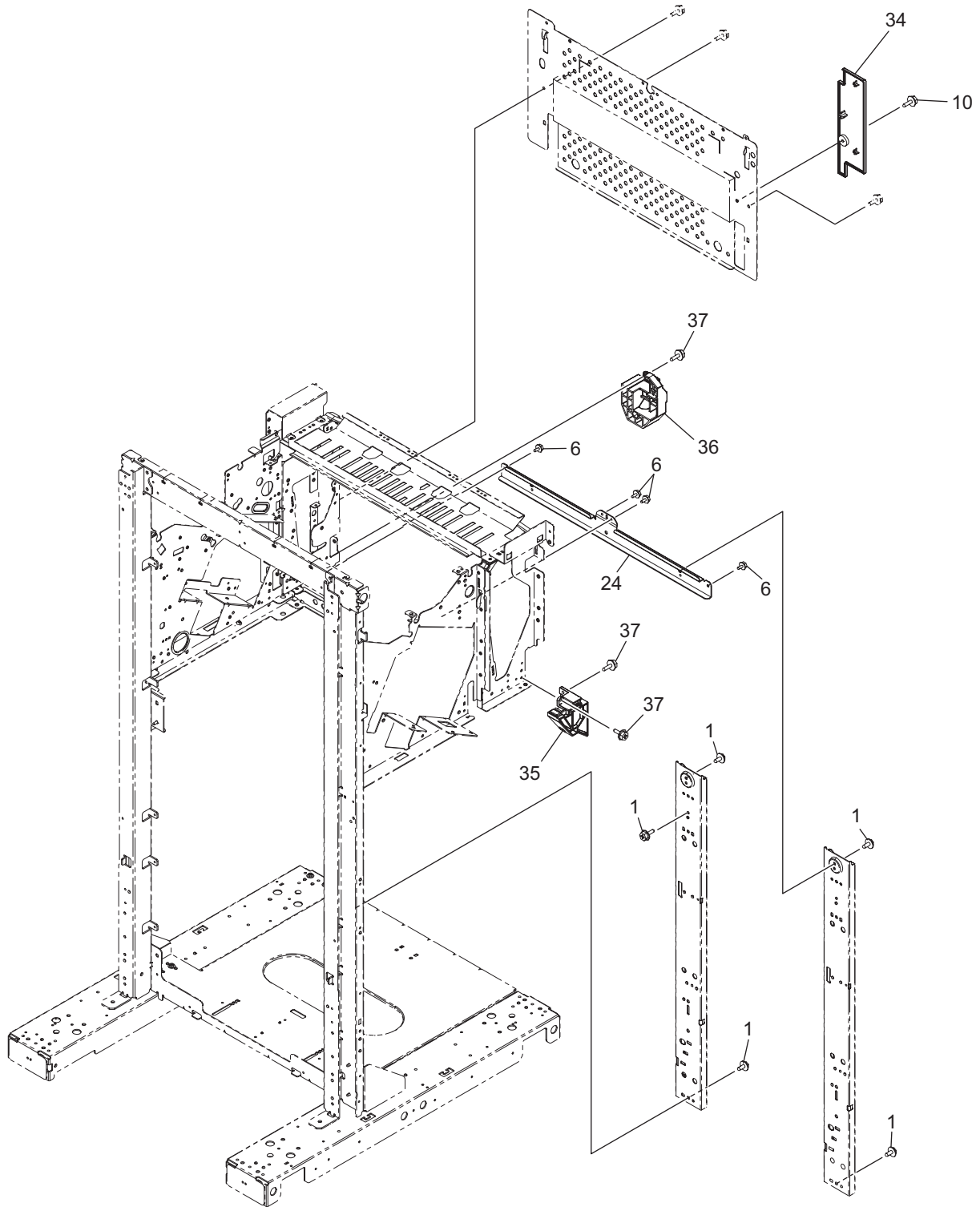
ITEM No.	PART No.	PART NAME	Q'TY / PAGE	Q'TY / PACK	REMARKS
1	6LB10226000	ASYS-BASE-BTM-PLATE	1	1/P	
2	6LB08600000	GEAR-10S16-6-SO	1	1/P	
3	6LB39505000	GEAR-5S40-10S16-6-PIT	2	1/P	
4	6LB10214000	ASYS-BRKT-MOTR-SO	1	1/P	
5	X0-00965000	RR/E-4-SS	2	10/P	
6	6LK01401000	MOTR-S-PDL-ALIGN-2	2	1/C	
7	6LB10217000	SHAFT-GUIDE-P-SIDE	2	1/P	
8	6LB10208000	RACK-GUIDE-P-SIDE-FR	1	1/KP	
9	6LB10207000	PLATE-STOP-RR-SIDE	2	1/P	
10	6LB10206000	MYLAR-P-PRESS-SO	2	1/KP	
11	6LB10222000	PLATE-EARTH-SO	2	1/C	
12	X0-02246000	S/TPP/FHEXM-3X6-NI	9	10/P	
13	6LB10209000	RACK-GUIDE-P-SIDE-RR	1	1/KP	
14	6LB41108000	PLATE-SLIDE-GUIDE	2	1/P	
15	6LB10615000	BLT-60S2M-134-SF	1	1/P	
16	6LB39706000	ASYS-RLR-SF-22R5	2	1/P	
17	C0-20495000	LG2A24BL1	3	1/C	
18	6LB10609000	ASYS-RLR-SF	2	1/P	
21	6LB08621000	GEAR-10S14-6-DV	2	1/P	
26	6LB08406000	CLUCH-26G-6-10S30	1	1/D	
28	X0-02419000	S/TPS/FHEXM/R-3X6-ZU3	12	10/P	
29	X0-00059000	S/PAN/SWWS-M3X6-NI	4	10/P	
30	6LB39510000	BLT-60S2M138-SF-PIT	1	1/P	
31	6LH80102000	BRKT-MOTR-SF-RBT	1	1/P	
33	6LK59040000	MOTR-PR-TRAY-RBT3-M	1	1/C	
37	X0-00060000	S/PAN/SWWP-M3X6-NI	2	10/P	
38	6LK59022000	ACTR-P-SNSR-SF-RBT3	1	1/P	
40	6LH80128100	ASYS-TABLE-F-PR-TRAY-RBT3	1	N/A***	
41	6LH80129100	ASYS-TABLE-R-PR-TRAY-RBT3	1	N/A***	
42	6LH80151100	ASYB-PLT-JOG-R-PR-TRAY-BK	1	1/D	
45	X0-00964000	RR/E-3-SS	6	10/P	
46	F0-01810000	LWS-0511S-V0	5	5/P	
47	F0-01493000	DS-02S	2	5/P	
48	6LK59023000	ASYB-SHEAF-FEED-RBT3	1	1/C	
52	C0-15544000	LG285D1	1	1/P	
53	6LH80150100	ASYB-PLT-JOG-F-PR-TRAY-BK	1	1/D	
54	6LB08624000	PULLY-S2M30-6-SF	1	1/P	
55	6LK59005000	ASYS-BRKT-P-SNSR-SF-RBT3	1	1/P	
56	6LK59017000	GUIDE-PR-TRAY-RBT3	2	1/P	
57	6LK57800000	SPG-BRKT-SNSR-SF-RBT3	1	1/P	
58	6LK59034000	SFT-BRKT-SNSR-SF-RBT3	1	1/P	
59	6LK59044000	SPG-ACTR-P-SNSR-SF-RBT3	1	1/P	
60	6LK62435000	HRNS-EXIT-TRAY-MTR-618	1	1/P	
61	6LK62436000	HRNS-EXIT-TRAY-SEN-618	1	1/P	

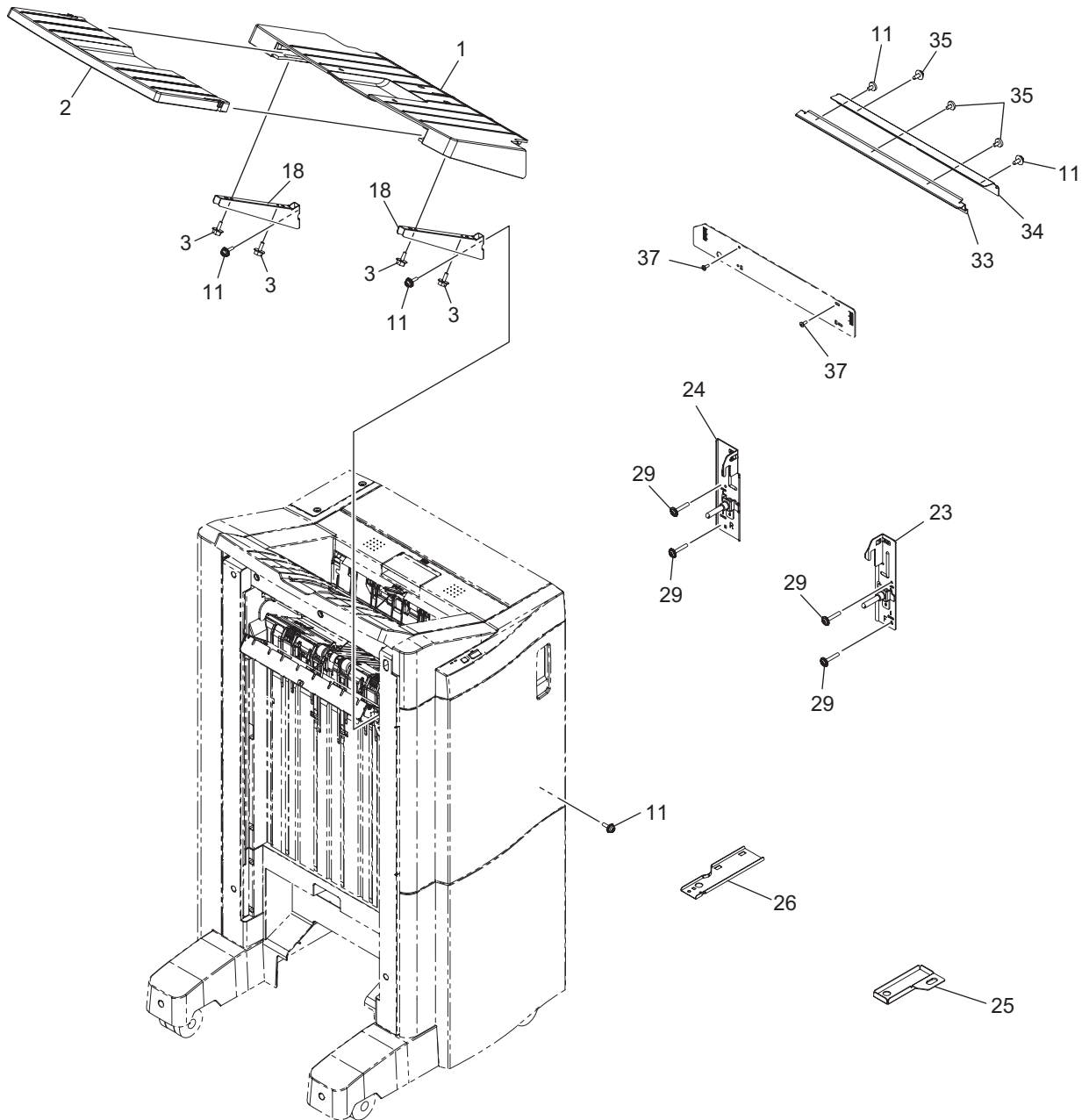


ITEM No.	PART No.	PART NAME	Q'TY / PAGE	Q'TY / PACK	REMARKS
1	6LK59210000	MOTR-STAPLE-RBT3-M	1	1/C	
2	6LK59200000	PLY-S3M20-GEAR-6S40	1	1/P	
3	6LB10460000	ASYS-PLT-PLY-STPL	1	1/P	
4	6LB08619000	PLY-CARR-STPL	1	1/P	
5	6LH80307000	ASYS-CARR-STPL-2	1	1/P	
6	6LB08804000	RLR-CARR-STPL	2	1/P	
7	6LB10450000	ASYS-S-CARRIER	1	1/P	
8	6LK59205000	BLT-40S3M-900-SP	1	1/P	
9	6LB10431000	PLATE-EARTH-STPL	1	1/P	
10	6LB10402000	SHAFT-CARR-STPL	1	1/KP	
11	6LB10403000	PLATE-TURN-RAIL	1	1/P	
12	6LB10425000	ACTR-STPL	1	1/C	
13	6LB10420000	ASYS-BASE-STPL	1	1/P	
14	6LB08806000	RLR-SLIDE-STPL	1	1/P	
15	6LB08805000	RLR-BASE-STPL	2	1/P	
16	6LB09011000	SPG-ACRT-STPL	1	1/P	
17	6LK59206000	SPG-CARR-STPL-S3M	1	1/P	
18	6LB10412000	PLATE-TURN-STPL	1	1/P	
19	6LB12404000	PWA-SPR-101	1	1/C	
20	6LH79102000	STAPLE_EH-C590T2	1	1/C	
21	6LB12424000	HRNS-SPRCAR	1	1/P	
22	6LB10413000	PLATE-GID-HOLD-ARM	1	1/C	
23	6LB10404000	RUBR-STPL	3	5/P	
24	C0-20487000	GP1A173LCS3F	2	1/P	
25	X0-00077000	S/PAN/SWWP-M3X8-NI	2	10/P	
26	X0-00059000	S/PAN/SWWS-M3X6-NI	4	10/P	
27	X0-02419000	S/TPS/FHEXM/R-3X6-ZU3	24	10/P	
28	X0-00964000	RR/E-3-SS	6	10/P	
29	F0-01286000	FCR-30	3	5/P	
30	F0-01493000	DS-02S	1	5/P	
32	6LE49743000	STOP-RING-6-5-POM	2	5/P	
33	6LH83031000	LABEL-GREEN-1	1	5/P	
34	X0-02060000	S/TPS/PAN-3X16-ZU3	2	10/P	
36	F0-01846000	YJ-100	4	5/P	
39	6LH80303000	EH-C590T2-CARTRIDGE	1	1/C	
40	6LH80305000	PLT-GUIDE-SUPPT-SW-STAPLE	1	1/P	
41	X0-00966000	RR/E-5-SS	1	10/P	
42	6LK62549000	HRNS-SPRFFC-618	1	1/P	
43	6LK62448000	HRNS-SPRSFTHP-SEN-618	1	1/P	
44	6LK62527000	HRNS-SPRSFTSW-618	1	1/P	
45	6LK58211000	ASYB-CVR-PLT-TOP-RBT3	1	1/C	
46	6LB09619000	ABSORBER-CVR-FEED-LOW-1	1	1/P	

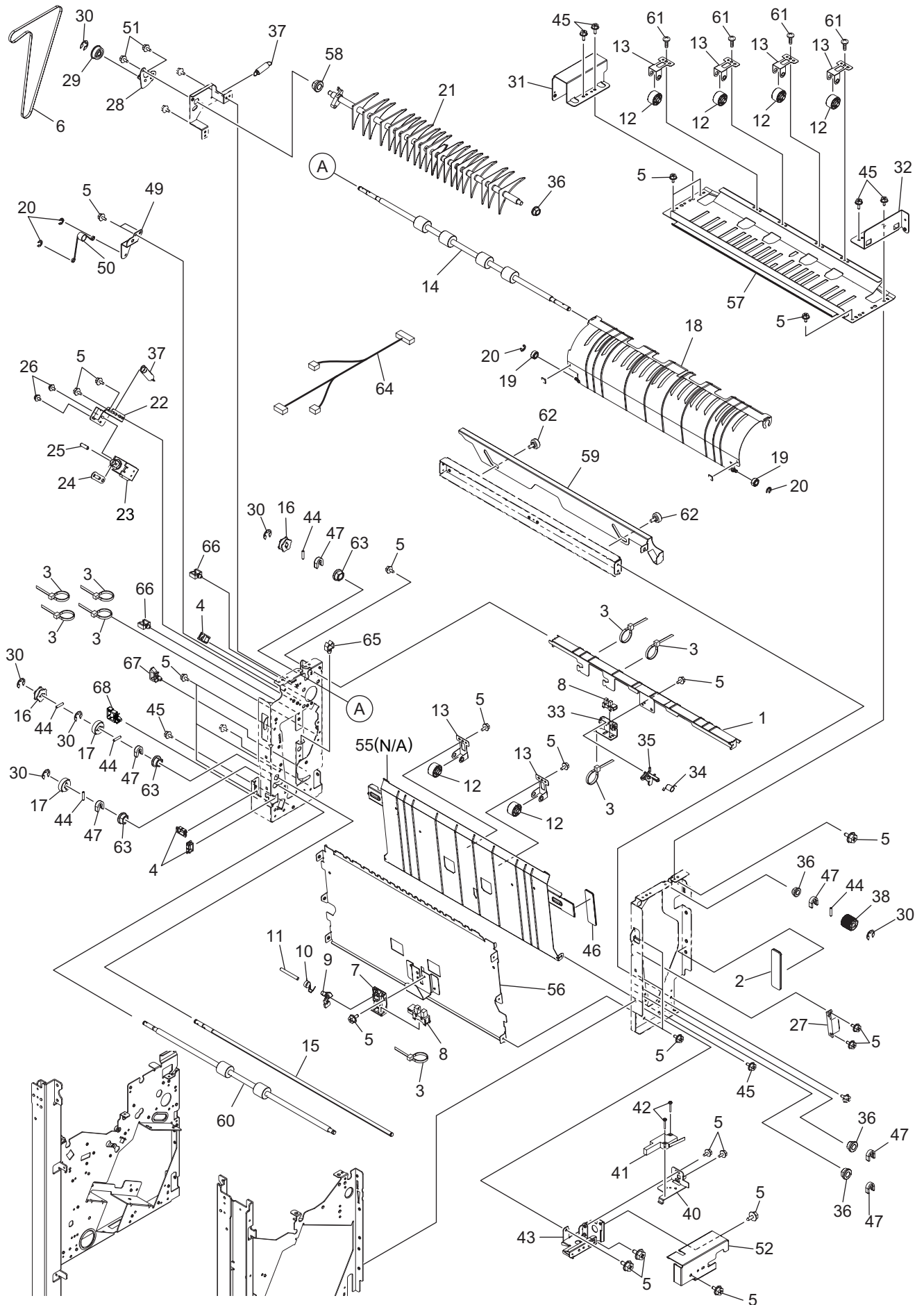


ITEM No.	PART No.	PART NAME	Q'TY / PAGE	Q'TY / PACK	REMARKS
2	C0-20487000	GP1A173LCS3F	1	1/P	
3	6LB10801000	ACT-TRAY-BU-C	1	1/P	
4	F0-01485000	3382330-30250	1	5/P	
5	X0-02098000	S/PAN/SWWP-M3X30-NI	1	10/P	
6	6LB10850000	PLT-SPG-TRAY-CH-BU-C	2	1/P	
7	6LB10820000	LVR-PLT-SFT-BU-C	2	1/P	
8	6LB10828000	SPG-LVR-OPN-F-BU-C	1	1/P	
9	6LB10829000	SPG-LVR-OPN-R-BU-C	1	1/P	
10	6LB10802000	BUSH-LEVER-BU-C	2	5/P	
11	6LB10805000	LEVER-BU-C	2	1/P	
12	6LB10821000	PLATE-LINK-BU-C	2	1/P	
13	6LB41914000	LINK-TRAY-PIT-BU-C	2	1/P	
14	6LB10819100	LINK-TRAY-BU-1	2	1/P	
15	X0-02419000	S/TPS/FHEXM/R-3X6-ZU3	13	10/P	
16	F0-01484000	3382330-30090	4	5/P	
17	6LB12140000	PIN-5X20	4	10/P	
18	X0-02595000	S/TPD3/FHEXM-3X12-ZU3	4	10/P	
19	F0-01846000	YJ-100	5	5/P	
20	6LB10929000	SD-PIVOT-D-BU-C	2	1/P	
21	X0-00964000	RR/E-3-SS	4	10/P	
22	X0-00966000	RR/E-5-SS	9	10/P	
23	6LB10807000	LINK-COV-BTM-BU-C	2	1/P	
24	6LH80510000	STAY-BOX-GEAR-RBT	1	1/P	
25	6LK59408000	ASYS-DRV-MOTR-TRAY-RBT3	1	1/C	
26	6LH53768000	BUSH-6-NU4	4	1/P	
27	6LK59406000	SHAFT-WORM-GEAR-RBT3	1	1/P	
29	6LB39508000	BLT-60S2M130-PIT	1	1/P	
33	6LK59401000	BOX-GEAR-DRV-RBT3	1	1/P	
34	6LB41509000	DISC-SNSR-TD-PIT	1	1/P	
35	6LB41508000	BOX-SNSR-DISC-TD-PIT	1	1/P	
36	6LK59404000	SHAFT-WORM-WHL-RBT3	1	1/P	
39	6LK59403000	SHAFT-IDL-DRV-TRAY-RBT3	1	1/P	
40	6LB39502000	GEAR-12R5S23-8-PIT	1	1/P	
41	6LB39500000	GEAR-12R5S33-8-PIT	1	1/P	
42	X0-00060000	S/PAN/SWWP-M3X6-NI	1	10/P	
43	X0-00968000	RR/E-7-SS	4	10/P	
44	X0-00980000	P/PRL/AH7-2X10-SS	2	10/P	
45	X0-01533000	P/PRL/AH7-2X16-SS	2	10/P	
46	X0-02351000	W/PL/SJ0-8-NI	1	5/P	
47	F0-01972000	CRT6-12-GV22	1	1/P	
48	6LB41507000	PLATE-BOX-G-R-PIT	1	1/P	
50	6LB39901000	SPG-DRV-TRAY-PIT	1	1/P	
51	6LB10806D00	LEVER-TRAY-BU-C-SSAJB	1	1/P	
52	6LB30114100	DAMPER-TRAY-BU-C-PIT	1	1/P	
54	6LB11024000	GEAR-12R5S21-6-TRAY	1	1/P	
57	6LB11071000	RUBB-SPCR-TRAY	2	5/P	
58	6LK59407000	WORM-GEAR-TRAY-RBT3	1	1/P	
59	6LH80516000	WORM-WHEEL-10-6-TRAY	1	1/P	
60	X0-00077000	S/PAN/SWWP-M3X8-NI	8	10/P	
61	6LJ87004000	PULLY-METAL-S2M30-6-SF	1	1/P	
62	4400802080	BUSH-8	1	5/P	
63	C0-11250000	LG248NL1	1	1/P	
64	F0-01715000	LWS-3S-V0	1	5/P	
65	6LB10928000	SD-LINK-TRAY-BU-C	2	1/P	
66	6LB10930000	SPG-LINK-TRAY	2	1/P	
67	6LB42946000	HRNS-FIN1-B-PTJ	1	1/P	

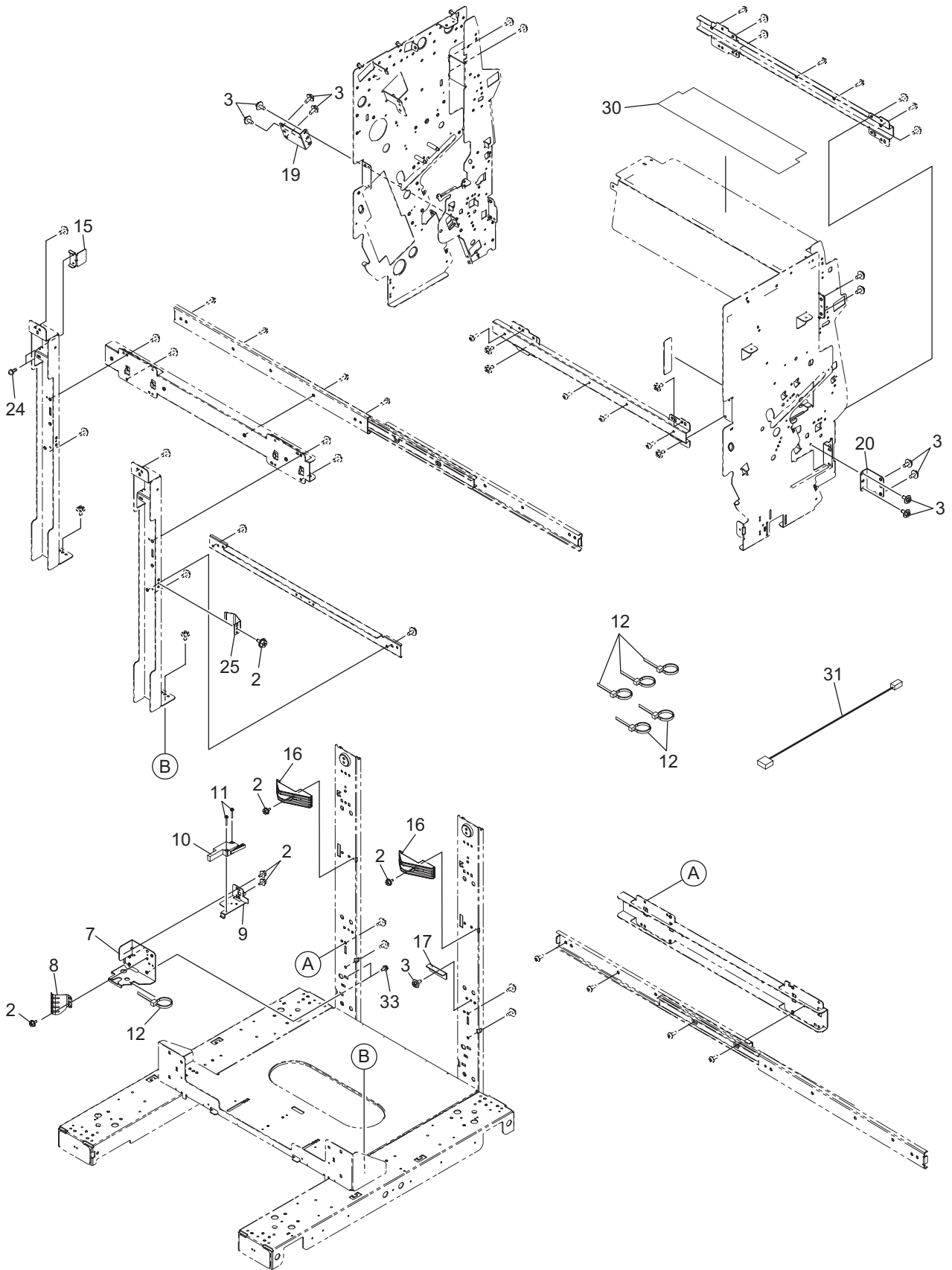


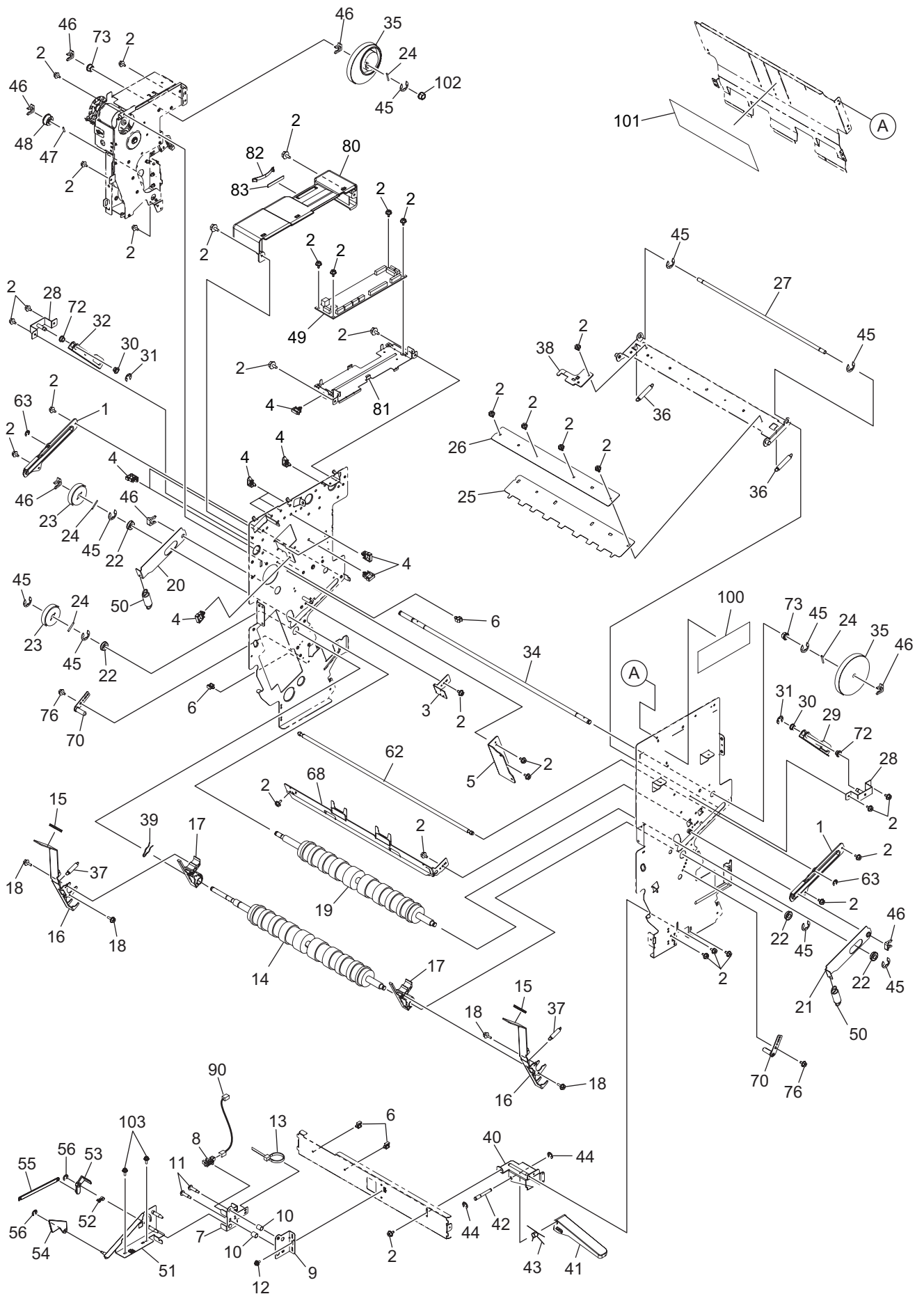


ITEM No.	PART No.	PART NAME	Q'TY / PAGE	Q'TY / PACK	REMARKS
1	6LK60011000	TRAY-FN-RBT3-SSAJB	1	1/PP	
2	6LK60012000	SUBTRAY-FN-RBT3-SSAJB	1	1/PP	
3	X0-02246000	S/TPP/FHEXM-3X6-NI	4	10/P	
11	X0-00077000	S/PAN/SWWP-M3X8-NI	5	10/P	
18	6LB41715000	STAY-BIN-TRAY-PIT-01	2	1/P	
23	6LJ90801000	ASYS-HOOK-JF-RBT2	1	1/P	
24	6LJ90800000	ASYS-HOOK-JR-RBT2	1	1/P	
25	6LH81502000	BRKT-B-COV-P-RBT	1	1/P	
26	6LB42701000	BRKT-RB-COV-PIP	1	1/P	
29	X0-02376000	S/TPS/FPAN-4X14-ZU3	4	5/P	
33	6LH83822000	GUIDE-FEED-PH-U	1	1/P	
34	6LH83821000	GUIDE-FEED-PH-L	1	1/P	
35	X0-00426000	S/BID-M3X4-NI	3	10/P	
37	X0-02677000	S/TPS/BID-4X10-ZB3	2	5/P	

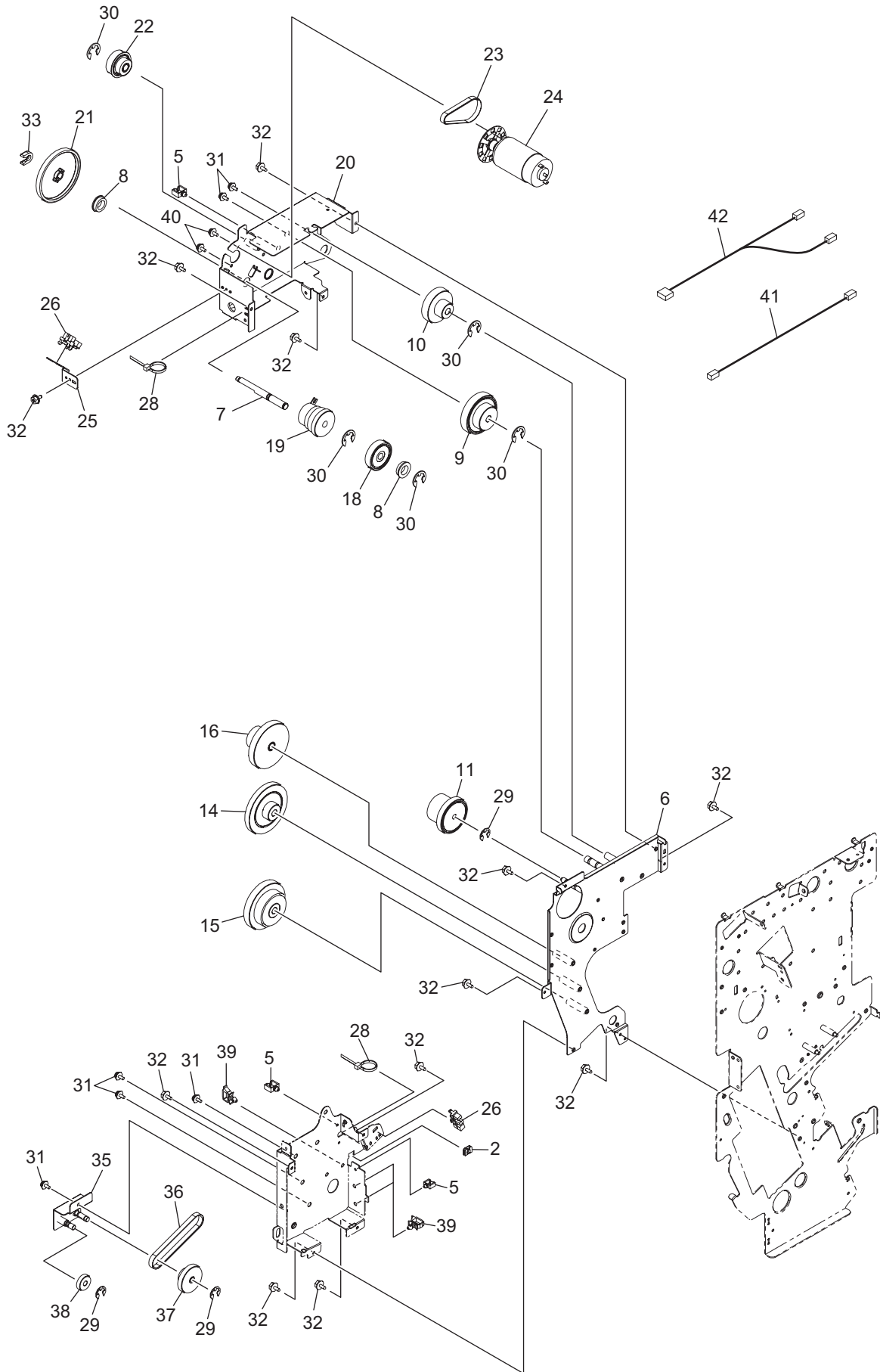


ITEM No.	PART No.	PART NAME	Q'TY / PAGE	Q'TY / PACK	REMARKS
1	6LH81309000	GUIDE-JCT-IN-L-RBT	1	1/P	
2	6LB42537000	SHEET-FRM-JCT-PIT	1	1/P	
3	F0-01846000	YJ-100	8	5/P	
4	F0-01248000	ESC-0912	3	10/P	
5	X0-02419000	S/TPS/FHEXM/R-3X6-ZU3	27	10/P	
6	6LB42527000	BLT-40S2M-520-JCT-PIT	1	1/P	
7	6LB10808000	PLT-SEN-A-BU-C	1	1/P	
8	C0-20487000	GP1A173LCS3F	2	1/P	
9	6LB42542000	ACT-SENS-PIT	1	1/P	
10	6LB10824000	SPG-AC-BU-C	1	1/C	
11	X0-02380000	P/PRL/AH7-3X25-SS	1	10/P	
12	6LB29933000	RLR-D20XL11-SDL	6	1/P	
13	6LB42510000	PLATE-RLR-JB-PIT	6	1/P	
14	6LH78711000	RLR-FEED-1-JBP-RBT	1	1/KP	
15	6LB42526000	SHAFT-IDLE-JCT-PIT	1	1/P	
16	6LB08609000	PULLY-S2M30-6-5	2	1/P	
17	6LB08608000	GEAR-FEED-LOW-6	2	1/P	
18	6LB42521000	ASYS-GUIDE-F3-JB-PIT	1	1/KP	
19	6LB08805000	RLR-BASE-STPL	2	1/P	
20	X0-00964000	RR/E-3-SS	4	10/P	
21	6LB42524100	FLAP-JBP-PIT-F5330	1	1/KP	
22	6LB10893000	ASYS-BRKT-SOL-FLP-BU-C	1	1/P	
23	6LB08401000	SOL-10-SL-BUF	1	1/D	
24	6LB10846000	ASYS-SOL-LINK-BU-C	1	1/P	
25	X0-01016000	P/SPW/AW-3X10-SS	1	10/P	
26	X0-00050000	S/PAN/SWWP-M3X5-NI	2	10/P	
27	F0-01393000	CA-0124B	1	1/P	
28	6LB42515000	ASYS-TENS-JBP-PIT	1	1/P	
29	6LB08610000	PULLY-TEN-S2M30-6-5	1	1/P	
30	X0-00966000	RR/E-5-SS	6	10/P	
31	6LB42126000	BRKT-TOP-P-R	1	1/P	
32	6LB42127000	BRKT-TOP-P	1	1/P	
33	6LB10007000	BRKT-SNSR-RLR-1	1	1/P	
34	6LB09015000	SPG-FEED-SNSR-1	1	1/P	
35	6LB09602000	ACTR-SNSR-RLR-1	1	1/C	
36	44201492000	BUSH-6-POM	4	5/P	
37	6LB10826000	SPG-FLP-BU-C	2	1/P	
38	6LB42518100	KNOB-PIT2	1	1/P	
40	6LB11233000	PLT-TURN-SNSR	1	1/P	
41	E0-14498000	D3V-162-3C26	1	1/D	
42	X0-02060000	S/TPS/PAN-3X16-ZU3	2	10/P	
43	6LB11241000	BRKT-DOOR-SNSR	1	1/P	
44	X0-00980000	P/PRL/AH7-2X10-SS	5	10/P	
45	X0-02420000	S/TPS/FHEXM/R-3X8-ZU3	6	10/P	
46	6LJ90414000	LABEL-GREEN-RBT2	1	1/P	
47	6LE49743000	STOP-RING-6-5-POM	6	5/P	
49	6LB42555000	ASYS-HLD-SPG-FRM-PIT	1	1/P	
50	6LB42557000	SPG-CLOSE-JBP-RER	1	1/P	
51	X0-00060000	S/PAN/SWWP-M3X6-NI	2	10/P	
52	6LB42551000	PLT-F-SNSR-PIT	1	1/P	
55	6LH81320000	ASYS-GUIDE-F4-JB-RBT	1	N/A***	
56	6LH81321000	ASYS-GUIDE-F5-JB-RBT	1	1/P	
57	6LJ87800000	ASYS-GUIDE-JCT-IN-U-RBT-2	1	1/D	
58	6LH53768000	BUSH-6-NU4	1	1/P	
59	6LH81313000	LEVER-LOCK-RBT	1	1/P	
60	6LH78712000	RLR-FEED-1-JBP-RBT2	1	1/KP	
61	X0-00426000	S/BID-M3X4-NI	4	10/P	
62	6LB09432000	SCREW-LEVER-M3_6	2	1/P	
63	6LE49739000	BUSH-6X10X6F-SBK	3	5/P	
64	6LK62452000	HRNS-JCT-SEN-618	1	1/P	
65	F0-00042000	UAMS-05S-2	1	5/P	
66	F0-01250000	MSB-1207	2	5/P	
67	F0-01810000	LWS-0511S-V0	1	5/P	

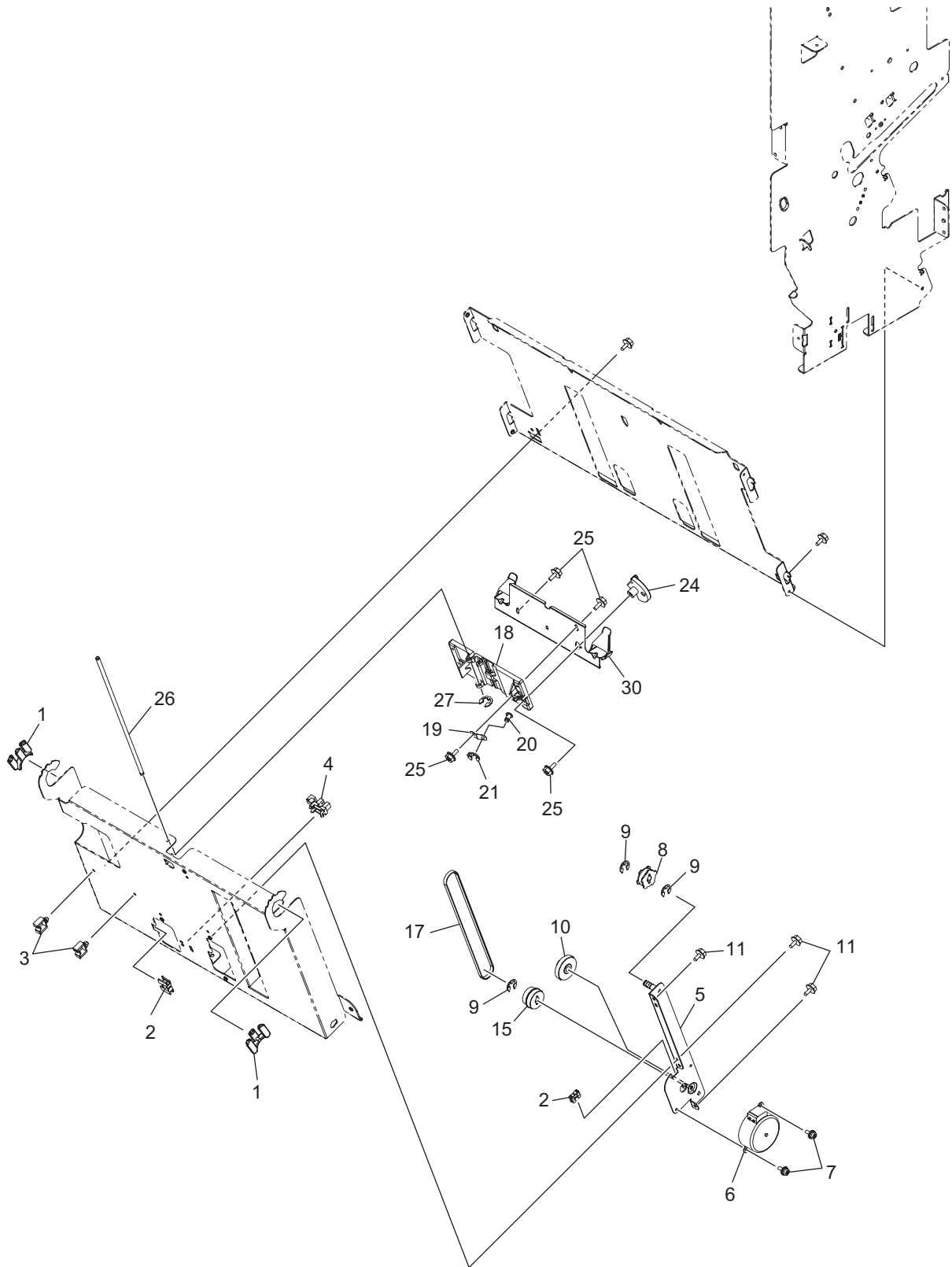


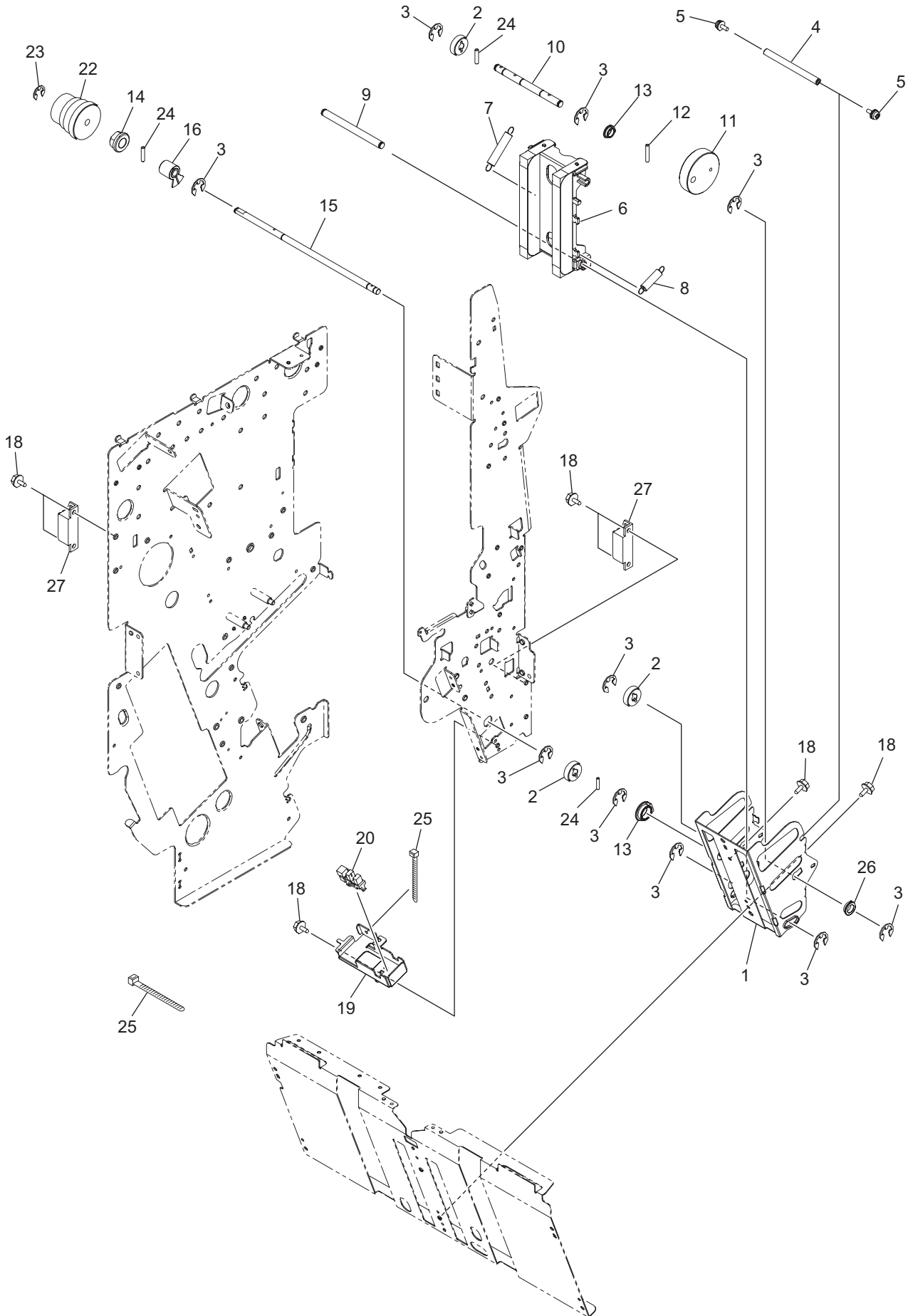


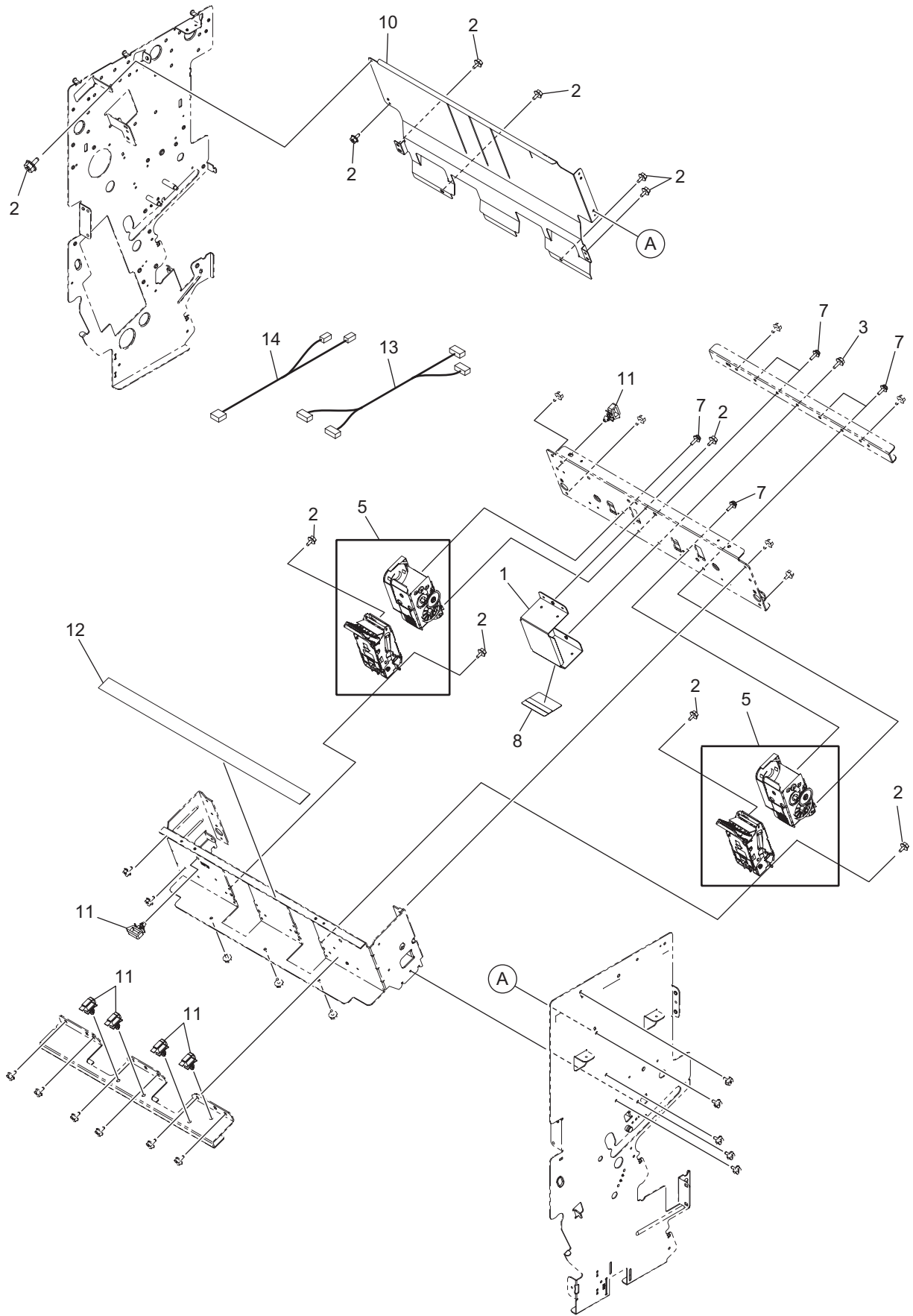
ITEM No.	PART No.	PART NAME	Q'TY / PAGE	Q'TY / PACK	REMARKS
1	6LB29917000	RAIL-BLADE-FD-R	2	1/P	
2	X0-02419000	S/TPS/FHEXM/R-3X6-ZU3	34	10/P	
3	6LB29901000	BRKT8-PLT-FOLD-SDL	1	1/P	
4	F0-01810000	LWS-0511S-V0	10	5/P	
5	6LB29603000	BLKT-STAPLE-MOUNT-SDL	1	1/P	
6	F0-00042000	UAMS-05S-2	4	5/P	
7	6LB30202000	PLT-SEN-SLIDE-SDL	1	1/P	
8	C0-11250000	LG248NL1	1	1/P	
9	6LB30203000	BRKT-SEN-STAY-SDL	1	1/P	
10	6LB30204000	SPG-ACTR-SLIDE-SDL	2	1/P	
11	4406343540	SCREW-SOCKET	2	1/P	
12	X0-00060000	S/PAN/SWWP-M3X6-NI	1	10/P	
13	F0-01846000	YJ-100	1	5/P	
14	6LH82124000	RLR-FOLD-MAIN-RBT-2	1	1/KP	
15	6LH83029000	LABEL-GREEN-2-SDL	2	1/P	
16	6LB29911000	ARM3-FOLD-ROL-SDL	2	1/P	
17	6LB29916000	LINK1-FOLD-ROL-SDL	2	1/P	
18	X0-02247000	S/TPP/FHEXM-3X8-NI	4	10/P	
19	6LH82125000	RLR-FOLD-UPR-RBT	1	1/KP	
20	6LB29903000	PLT1-FOLD-RER-SDL	1	1/P	
21	6LB29902000	PLT1-FOLD-FRT-SDL	1	1/P	
22	F0-01390000	LNR-1680HHRP0P15LY13	4	1/P	
23	6LB29927000	GEAR-25S16-8-SDL	2	1/P	
24	X0-01533000	P/PRL/AH7-2X16-SS	4	10/P	
25	6LH82123000	PLATE-BLADE-RBT	1	1/KP	
26	6LB29912000	PLATE-COV-BLADE	1	1/KP	
27	6LB30013000	SHAFT-BLADE-FOLD	1	1/P	
28	6LB29977000	ASYS-BRACKET5-SDL	2	1/P	
29	6LB29978000	ASYS-LINK-FOLD-FR-SDL	1	1/P	
30	6LH53768000	BUSH-6-NU4	2	1/P	
31	X0-00966000	RR/E-5-SS	2	10/P	
32	6LB29979000	ASYS-LINK-FOLD-RR-SDL	1	1/P	
34	6LB30041000	SHAFT-BLADE-CAM	1	1/P	
35	6LB29930000	CAM-BLADE-SDL	2	1/P	
36	6LB30044000	SPG-E-7R6XR6X42R-SDL2	2	1/P	
37	6LB12051000	SPG-HRG-P	2	1/P	
38	6LB29919100	PLT5-FOLD-SENS-SDL-L	1	1/P	
39	FGF-0003001	PIN ROUND HEAD EJECTOR	1	1/P	
40	6LB28416000	PLT-UNIT-SUPT-SDL	1	1/P	
41	6LB28426000	BRKT-UNIT-SUPT-SDL	1	1/P	
42	6LB28445000	SFT-UNIT-SUPT-SDL	1	1/P	
43	6LB28428000	SPG-UNIT-SUPT-SDL	1	1/P	
44	X0-00965000	RR/E-4-SS	2	10/P	
45	X0-00968000	RR/E-7-SS	9	10/P	
46	41306265000	STOP RING	7	1/P	
47	X0-01526000	P/PRL/AH7-2X12-SS	1	10/P	
48	6LB30234000	PULLY-S3M20-Y01-SDL	1	1/P	
49	6LK62391000	PWA-FIN-SDL-618	1	1/SB	
50	6LB30043000	SPG-E-14X1R6X45R6R-SDL1	2	1/P	
51	6LB30227000	ASYS-ACTR-TRAY-SDL	1	1/P	
52	6LB30226000	SPG-TRAY-SEN-Y01-SDL	1	1/P	
53	6LB30223000	ACTR-TRAY-LINK-SDL	1	1/P	
54	6LB30224000	ACTR-EXT-TRAY-Y01-SDL	1	1/P	
55	6LB30225100	ARM-ACTR-TRAY-SDL-L	1	1/P	
56	X0-00963000	RR/E-2-SS	2	10/P	
62	6LB30082000	SFT-BARR-PLT-BLADE-SDL	1	1/P	
63	X0-00964000	RR/E-3-SS	2	10/P	
68	6LB30054000	ASYS-PLT-FOLD-RLR-SDL	1	1/KP	
70	6LB29980000	ASYS-BRKT-PJ-SDL	2	1/P	
72	44201492000	BUSH-6-POM	2	5/P	
73	4400802080	BUSH-8	2	5/P	
76	X0-02421000	S/TPS/FHEXM/R-4X8-ZU3	2	10/P	
80	6LK60911000	ASYS-COVER-PWA-SDL-RBT3	1	1/PP	

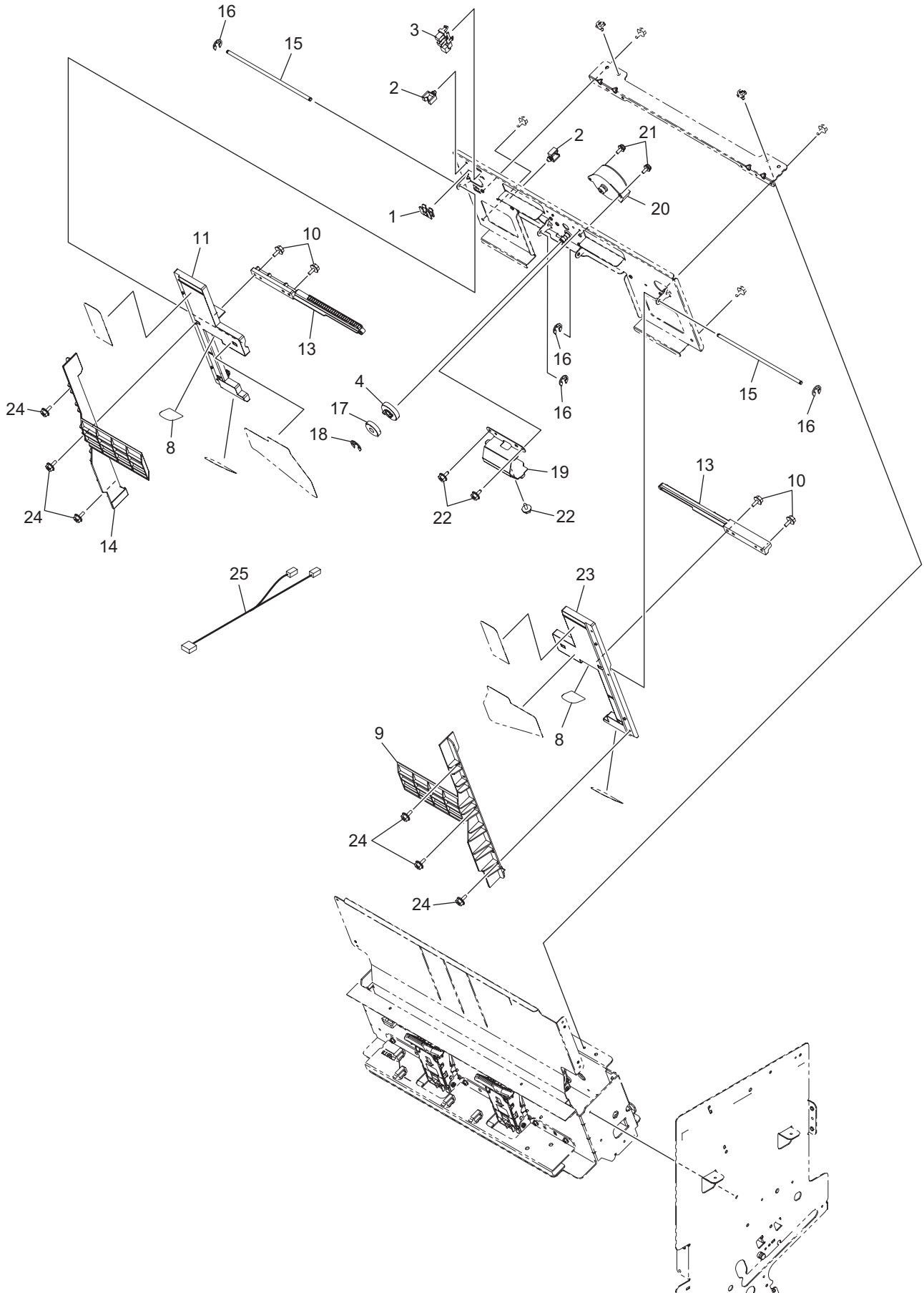


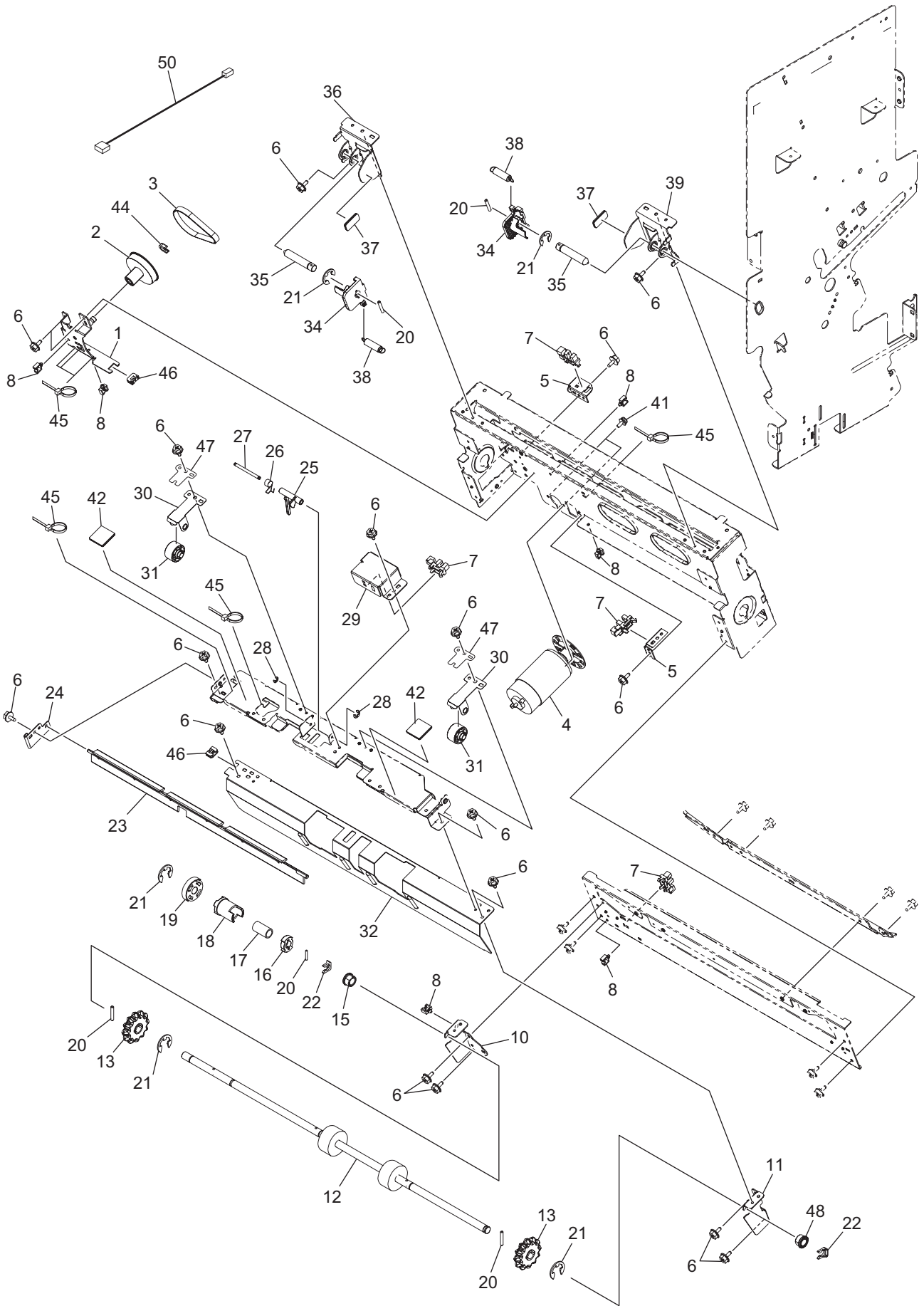
ITEM No.	PART No.	PART NAME	Q'TY / PAGE	Q'TY / PACK	REMARKS
2	F0-01493000	DS-02S	1	5/P	
5	F0-00042000	UAMS-05S-2	3	5/P	
6	6LH82113000	ASYS-BRKT2-SDL	1	1/PP	
7	6LH82104000	SHAFT-GEAR-FOLD-SDL	1	1/P	
8	F0-01175000	DDL-F-1280ZZ	2	1/P	
9	6LH82110000	GEAR-1S50_1S30-8-SDL	1	1/P	
10	6LB29924000	GEAR-1S41_125S15-8-SDL	1	1/P	
11	6LH82114000	GEAR-1S44_1S32-6-SDL	1	1/P	
14	6LB29973000	GEAR-1H60_1S20-8-SDL	1	1/P	
15	6LB29928000	GEAR-1S60-25S16-8-SDL	1	1/P	
16	6LB29974000	GEAR-1H55_1H24-8-SDL	1	1/P	
18	6LB29990000	GEAR-1H33L-8-CLUCH-SDL	1	1/P	
19	6LB30049000	EL-CLUTCH-SDL	1	1/D	
20	6LB30038100	ASYS-BRKT1-SDL-RBT3	1	1/P	
21	6LB29975000	GEAR-8H80-8-SDL	1	1/P	
22	6LB29981000	GEAR-8H24_PS2M48-8-SDL	1	1/P	
23	6LB30002000	BELT-60S2M-152-SDL	1	1/P	
24	6LK61720000	ASYS-MOTR-F-SDL-P-EN-R3	1	1/C	
25	6LB29907000	PLATE2-MTR-SENS-SDL	1	1/P	
26	C0-11250000	LG248NL1	2	1/P	
28	F0-01846000	YJ-100	2	5/P	
29	X0-00966000	RR/E-5-SS	3	10/P	
30	X0-00968000	RR/E-7-SS	5	10/P	
31	X0-00060000	S/PAN/SWWP-M3X6-NI	6	10/P	
32	X0-02419000	S/TPS/FHEXM/R-3X6-ZU3	12	10/P	
33	6LE49743000	STOP-RING-6-5-POM	1	5/P	
35	6LB30263000	ASYS-BRKT-GEAR-EX-F-SDL	1	1/P	
36	6LB30242000	BLT-60S3M-201-SDL	1	1/P	
37	6LB30243000	PLY-S3M20-GEAR-10S34	1	1/P	
38	6LB08607000	GEAR-FEED-LOW-8	1	1/P	
39	F0-01810000	LWS-0511S-V0	3	5/P	
40	X0-00050000	S/PAN/SWWP-M3X5-NI	2	10/P	
41	6LK62458000	HRNS-SDL-F-BLD-HP-SEN-618	1	1/P	
42	6LK62457000	HRNS-SDL-FOLD-SEN-618	1	1/P	



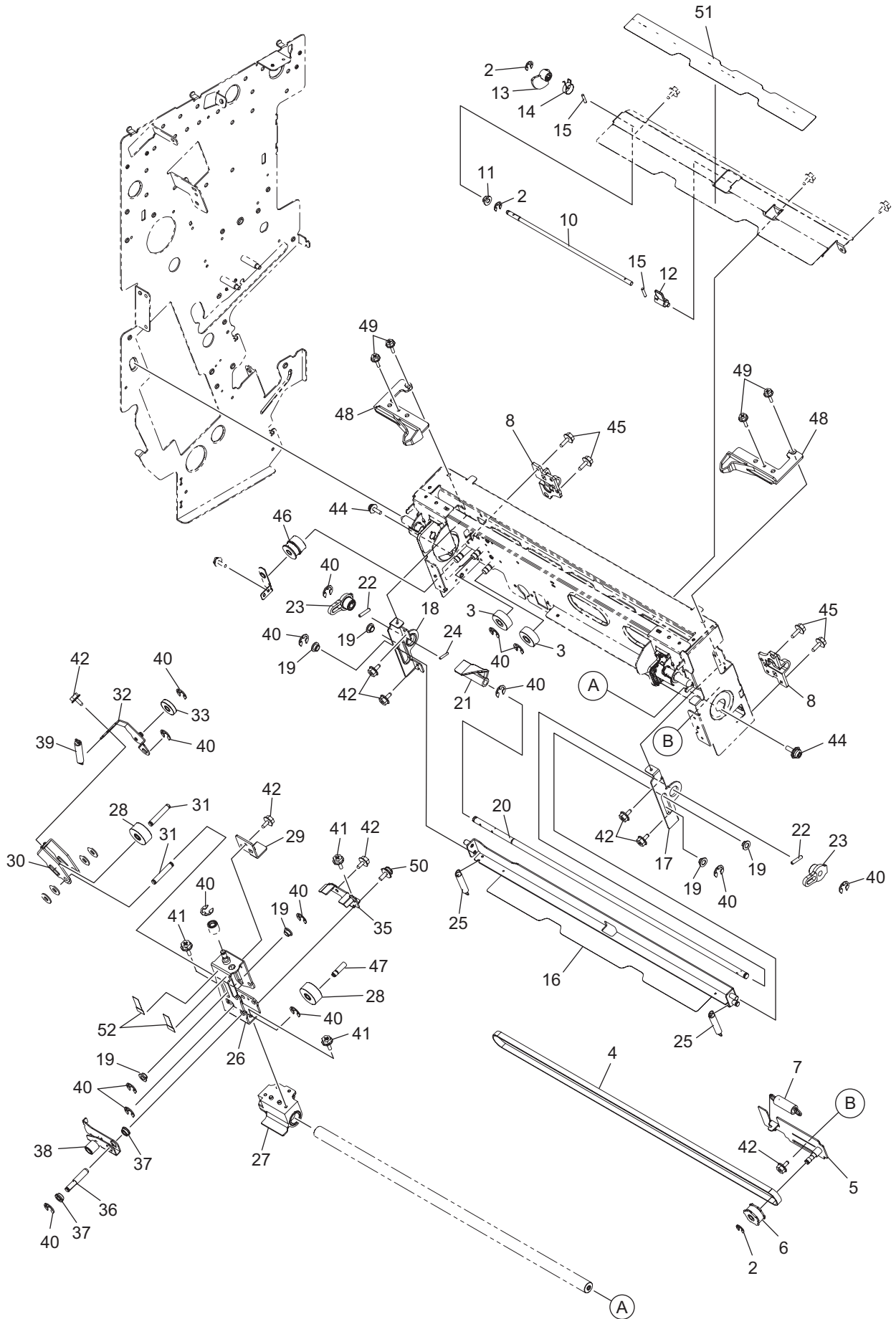




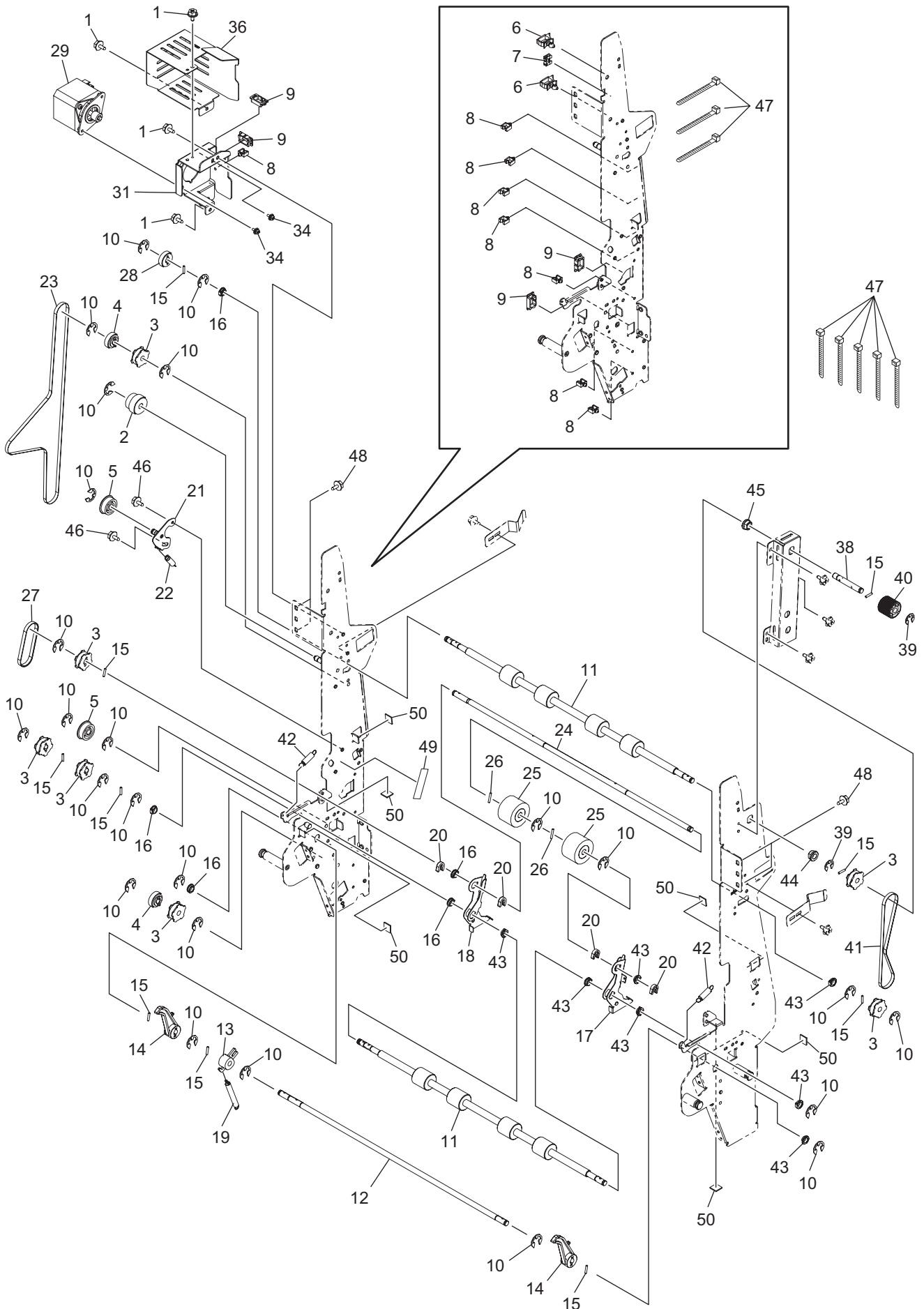




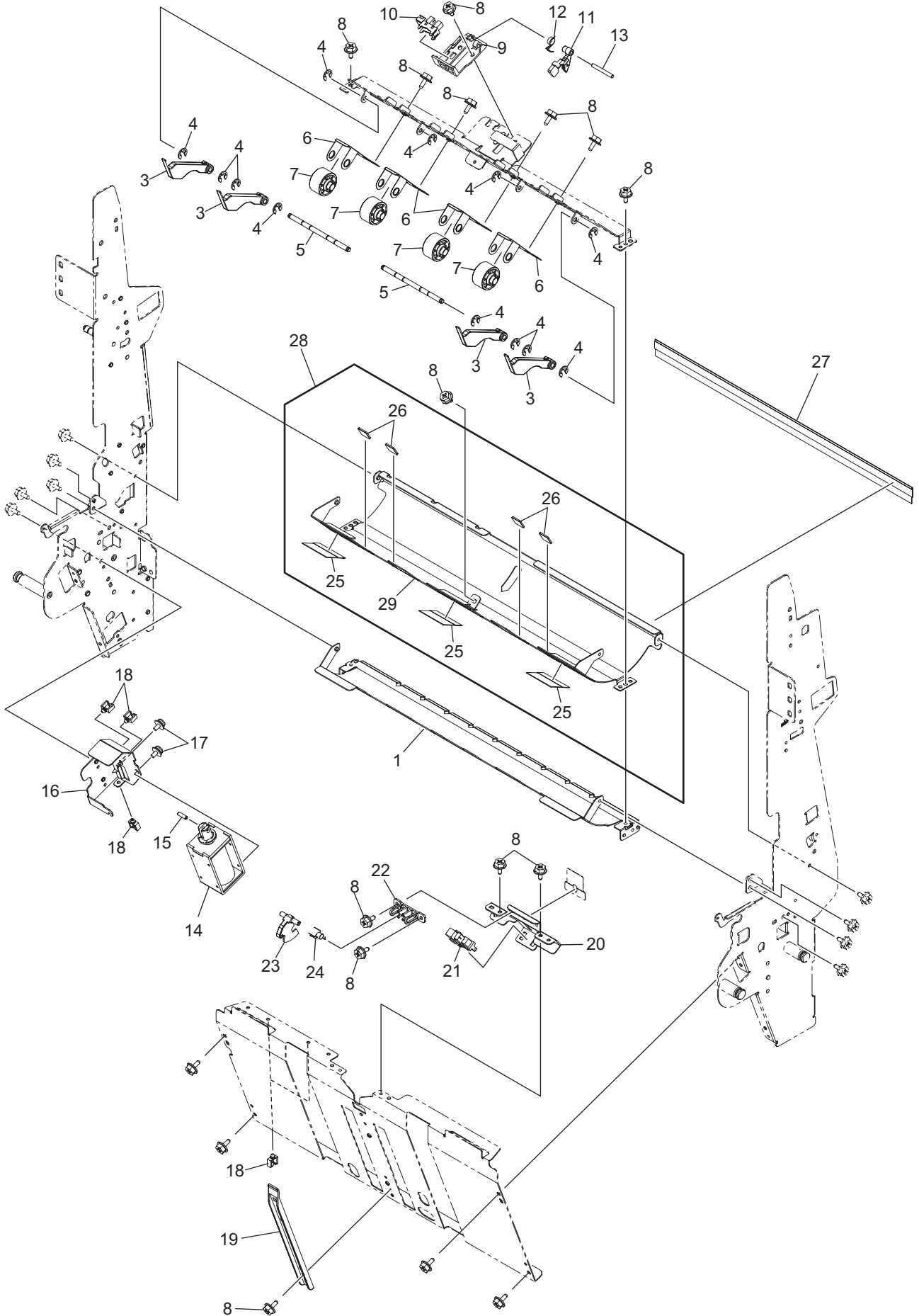
ITEM No.	PART No.	PART NAME	Q'TY / PAGE	Q'TY / PACK	REMARKS
1	6LB29993000	ASYS-BRKT7-EFS	1	1/P	
2	6LB29959000	GEAR-S2M60_5S24-6-EFS	1	1/P	
3	6LB30003000	BELT-60S2M-156-EFS	1	1/P	
4	6LK61716000	ASYS-MOTR-F-EFS-P-EN-R3	1	1/C	
5	6LB29938000	BRKT6-EFS	2	1/P	
6	X0-02419000	S/TPS/FHEXM/R-3X6-ZU3	18	10/P	
7	C0-11250000	LG248NL1	4	1/P	
8	F0-00042000	UAMS-05S-2	6	5/P	
10	6LB30237000	BRKT-EX-F-RER-SDL	1	1/P	
11	6LB30236000	BRKT-EX-F-FRT-SDL	1	1/P	
12	6LH78708000	RLR-EX-F-SDL	1	1/KP	
13	6LH82200000	RLR-COL-EX-F-SDL-RBT	2	1/P	
15	6LH23442000	BUSH-8X12X8F-NU4	1	5/P	
16	6LB30233000	RCHT-STAY-EX-F-SDL	1	1/P	
17	6LB27804000	SPG-RCHT-EX-F-SDL	1	1/P	
18	6LB30232000	RCHT-SLIDE-EX-F-SDL	1	1/P	
19	6LB30235000	GEAR-RCHT-10S25-SDL	1	1/P	
20	X0-01526000	P/PRL/AH7-2X12-SS	5	10/P	
21	X0-00968000	RR/E-7-SS	5	10/P	
22	41306265000	STOP RING	2	1/P	
23	6LB30245100	BRIR-ROD-EX-F-SDL-F5330	1	1/KP	
24	6LB30244000	PLT-BURR-ROD-EX-F-SDL	1	1/P	
25	6LB30247000	ACTR-EX-F-SDL	1	1/P	
26	6LB30239000	SPG-ACTR-EX-F-SDL	1	1/P	
27	6LB30238000	SHAFT-ACTR-EX-F-SDL	1	1/P	
28	X0-00963000	RR/E-2-SS	2	10/P	
29	6LB30275000	PLT-SEN-EX-F-SDL_VE	1	1/P	
30	6LH81725000	PLATE-RLR-SDL-035	2	1/P	
31	6LH82126000	RLR-D20XL16-SDL	2	1/P	
32	6LB30246000	PLT-GID-LOW-EX-F-SDL	1	1/P	
34	6LB29968100	LEVER-PIVOT-SDL2	2	1/P	
35	6LB30010000	PIVOT-SDL	2	1/P	
36	6LB29954000	PLT7-ROD-RER-SDL	1	1/P	
37	6LH83031000	LABEL-GREEN-1	2	5/P	
38	6LB30063000	SPG-E-7R2XR6X26R4R-EFS7	2	1/P	
39	6LB29948000	PLT7-ROD-FRT-SDL	1	1/P	
41	X0-00050000	S/PAN/SWWP-M3X5-NI	2	10/P	
42	6LH83028000	LABEL-GREEN-1-SDL	2	1/P	
44	6LE49743000	STOP-RING-6-5-POM	1	5/P	
45	F0-01846000	YJ-100	6	5/P	
46	F0-01493000	DS-02S	2	5/P	
47	6LB30130000	PLATE-SUPT-RLR-SDL	2	1/P	
48	4400802080	BUSH-8	1	5/P	
50	6LB31039000	HRNS-SEN-CN19S	1	1/P	

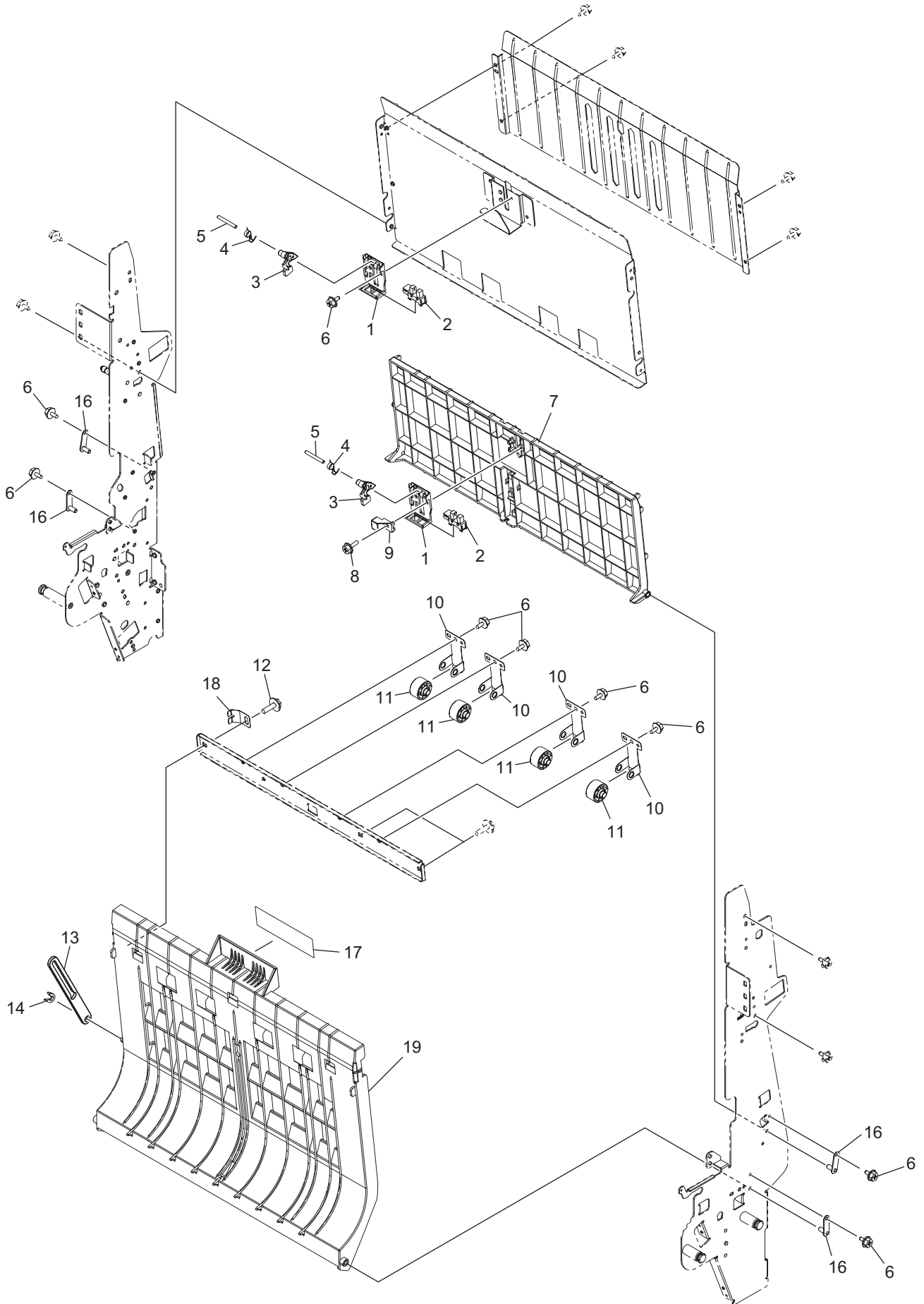


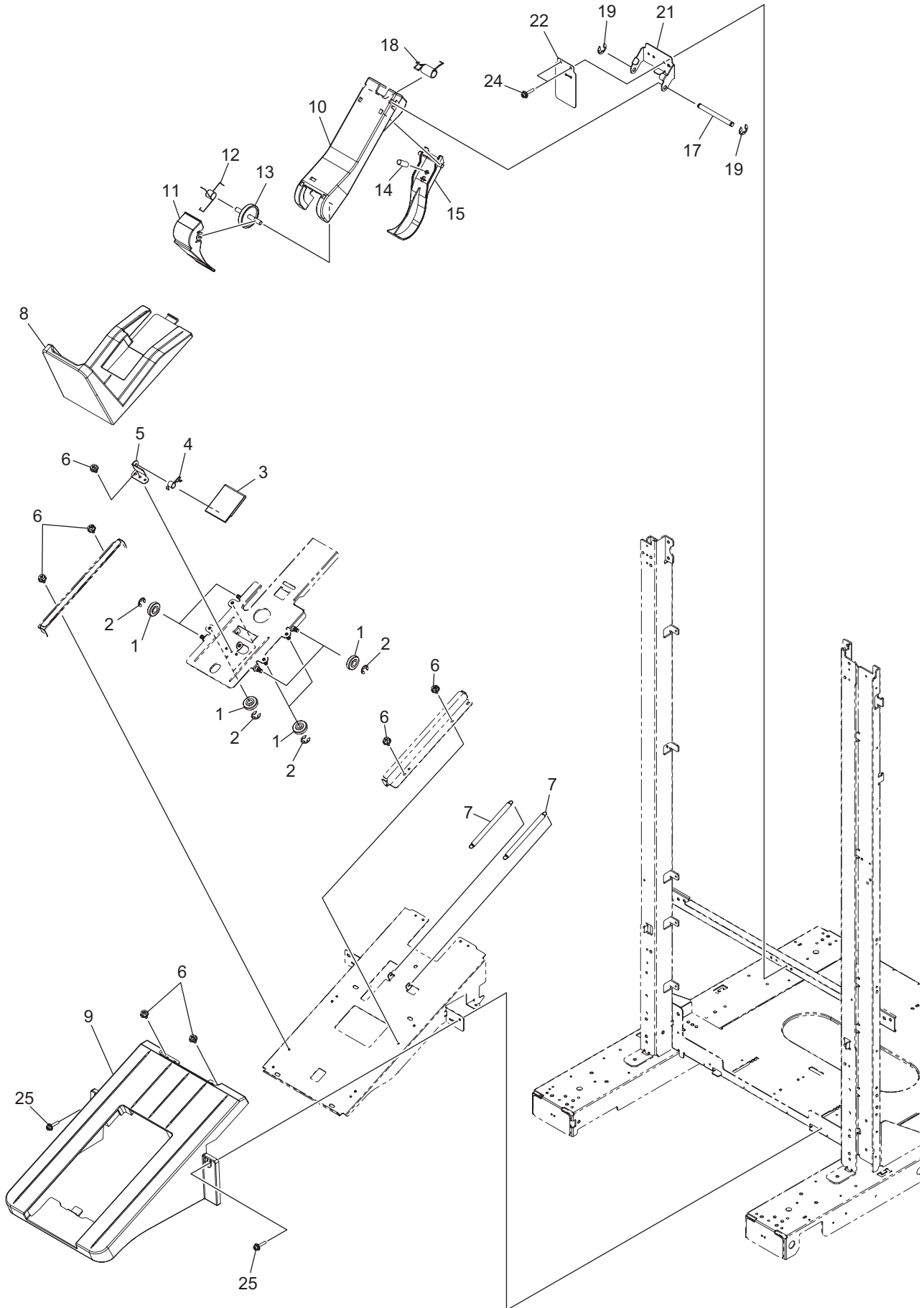
ITEM No.	PART No.	PART NAME	Q'TY / PAGE	Q'TY / PACK	REMARKS
2	X0-00964000	RR/E-3-SS	3	10/P	
3	6LB30074000	GEAR-5S34-6-EFS	2	1/P	
4	6LB30004000	BELT-60S3M-852-EFS	1	1/P	
5	6LB30037000	ASYS-PLT-PLY-EFS	1	1/P	
6	6LB08619000	PLY-CARR-STPL	1	1/P	
7	6LB09006000	SPG-CARR-STPL	1	1/P	
8	6LB29967000	BRKT11-PJ-SDL	2	1/P	
10	6LB30016000	SHAFT1-SENS-EFS	1	1/P	
11	6LA02920000	BUSH-0410-05F-M	1	5/P	
12	6LB29961000	ACTR1-EFS	1	1/P	
13	6LB29962000	ACTR2-EFS	1	1/P	
14	6LB30045000	SPG-T-11R5XR55X5R5L-SDL3	1	1/P	
15	X0-01164000	P/PRL/AH7-1.6X8-SS	2	10/P	
16	6LB30065000	ASYS-PLT3-FILM3-EFS	1	1/KP	
17	6LB29945000	BRKT10-FRT-EFS	1	1/P	
18	6LB29946000	BRKT10-RER-EFS	1	1/P	
19	6LA36807000	BUSH-05-07-03-F	6	1/P	
20	6LB30021000	SHAFT9-EFS	1	1/P	
21	6LB29960000	LEVER2-EFS	1	1/P	
22	X0-00980000	P/PRL/AH7-2X10-SS	2	10/P	
23	6LB29958000	LEVER1-EFS	2	1/P	
24	X0-01526000	P/PRL/AH7-2X12-SS	1	10/P	
25	6LB30046000	SPG-E-6R6XR5X23R7-EFS4	2	1/P	
26	6LB29985000	ASYS-FRAME3-CA-EFS	1	1/P	
27	6LB30040000	ASYS-CARRIER-EFS	1	1/P	
28	6LB29964000	ROLLER2-EFS	2	1/P	
29	6LB29942100	BRACKET1-EFS-GXKS	1	1/P	
30	6LB29944000	ARM1N-EFS	1	1/P	
31	6LB30014000	SHAFT1-EFS	2	1/P	
32	6LB29995000	ASYS-PLATE1-EFS	1	1/P	
33	6LB29963000	ROLLER1-EFS	1	1/P	
35	6LB29940000	PLATE2-EFS	1	1/P	
36	6LB30017000	SHAFT3-EFS	1	1/P	
37	6LH23440000	BUSH-5X8X4R2F-GCB-NU4	2	5/P	
38	6LB29998000	ASYS-ARM2-EFS	1	1/P	
39	6LB30047000	SPG-E-7X1X46R3R-EFS6	1	1/P	
40	X0-00965000	RR/E-4-SS	15	10/P	
41	X0-02247000	S/TPP/FHEXM-3X8-NI	3	10/P	
42	X0-02419000	S/TPS/FHEXM/R-3X6-ZU3	8	10/P	
44	X0-00077000	S/PAN/SWWP-M3X8-NI	2	10/P	
45	X0-02420000	S/TPS/FHEXM/R-3X8-ZU3	4	10/P	
46	6LB30075000	PLY-S3M20-GEAR-5S40-EFS	1	1/P	
47	6LB30018000	SHAFT4-EFS	1	1/P	
48	6LB30087000	RETAINER-EFS-SDL	2	1/P	
49	X0-02594000	S/TPD3/FHEXM-3X10-ZU3	4	10/P	
50	X0-00060000	S/PAN/SWWP-M3X6-NI	1	10/P	
51	6LB30007000	FILM4-EFS	1	1/KP	
52	6LB10645000	BURUSH-CVR-FRM-FR	2	1/KP	

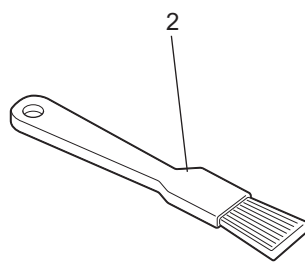
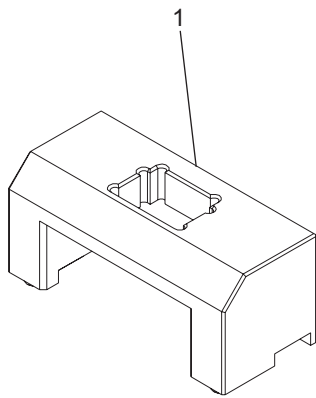


ITEM No.	PART No.	PART NAME	Q'TY / PAGE	Q'TY / PACK	REMARKS
1	X0-02419000	S/TPS/FHEXM/R-3X6-ZU3	4	10/P	
2	6LB08603000	GEAR-FEED-LOW-1	1	1/P	
3	6LB08609000	PULLY-S2M30-6-5	7	1/P	
4	6LB27203000	GEAR-FEED-SW-SDL	2	1/P	
5	6LB08610000	PULLY-TEN-S2M30-6-5	2	1/P	
6	F0-01810000	LWS-0511S-V0	2	5/P	
7	F0-01493000	DS-02S	1	5/P	
8	F0-00042000	UAMS-05S-2	8	5/P	
9	F0-01248000	ESC-0912	4	10/P	
10	X0-00966000	RR/E-5-SS	24	10/P	
11	6LH78710000	RLR-FEED-SWBK-SDL	2	1/KP	
12	6LB28737000	SFT-ASST-RLR-MG-SDL	1	1/P	
13	6LB28723000	PLT-AST-RLR-MG-SDL	1	1/P	
14	6LB28722000	PLT-AST-ARM-MG-SDL	2	1/P	
15	X0-00980000	P/PRL/AH7-2X10-SS	10	10/P	
16	PVB45-00701	CAM METAL	5	1/P	
17	6LB28749000	ASYS-AST-ARM-FRT-SDL	1	1/P	
18	6LB28748000	ASYS-AST-ARM-RER-SDL	1	1/P	
19	6LB28743000	SPG-AST-RLR-MG-SDL	1	1/P	
20	6LE49743000	STOP-RING-6-5-POM	4	5/P	
21	6LB42515000	ASYS-TENS-JBP-PIT	1	1/P	
22	6LB10826000	SPG-FLP-BU-C	1	1/P	
23	6LB28741000	BLT-40-S2M-630	1	1/P	
24	6LB28738000	SFT-AST-RLR-SWBK-SDL	1	1/P	
25	6LB28747000	ASYS-AST-RLR-SW-DG	2	1/P	
26	X0-01526000	P/PRL/AH7-2X12-SS	2	10/P	
27	6LB28740000	BLT-40-S2M-130	1	1/P	
28	6LB08608000	GEAR-FEED-LOW-6	1	1/P	
29	6LK61502000	MOTR-FEED-SDL-RBT3-M	1	1/C	
31	6LB28708100	BRKT-FEED-MTR-SW-RBT3	1	1/P	
34	X0-00060000	S/PAN/SWWP-M3X6-NI	2	10/P	
36	6LB28734000	COVER-FEED-MTR-SWBK	1	1/P	
38	6LB28739000	SFT-KNOB-SWBK-SDL	1	1/P	
39	X0-00965000	RR/E-4-SS	2	10/P	
40	6LB42518100	KNOB-PIT2	1	1/P	
41	6LB09614000	BLT-40-S2M-272	1	1/P	
42	6LB28742000	SPG-ASST-RLR-ARM-SDL	2	1/P	
43	6LH79100000	BUSH-6X8X3F-POM	7	1/P	
44	6LH53768000	BUSH-6-NU4	1	1/P	
45	44201492000	BUSH-6-POM	1	5/P	
46	X0-00059000	S/PAN/SWWS-M3X6-NI	2	10/P	
47	F0-01846000	YJ-100	8	5/P	
48	X0-02421000	S/TPS/FHEXM/R-4X8-ZU3	3	10/P	
49	6LB42537000	SHEET-FRM-JCT-PIT	1	1/P	
50	6LB09954000	FELT-SOL-BU-C	6	1/P	









TOSHIBA

TOSHIBA TEC CORPORATION

1-11-1, OSAKI, SHINAGAWA-KU, TOKYO, 141-8562, JAPAN