

TOSHIBA

SERVICE PARTS LIST

Finisher

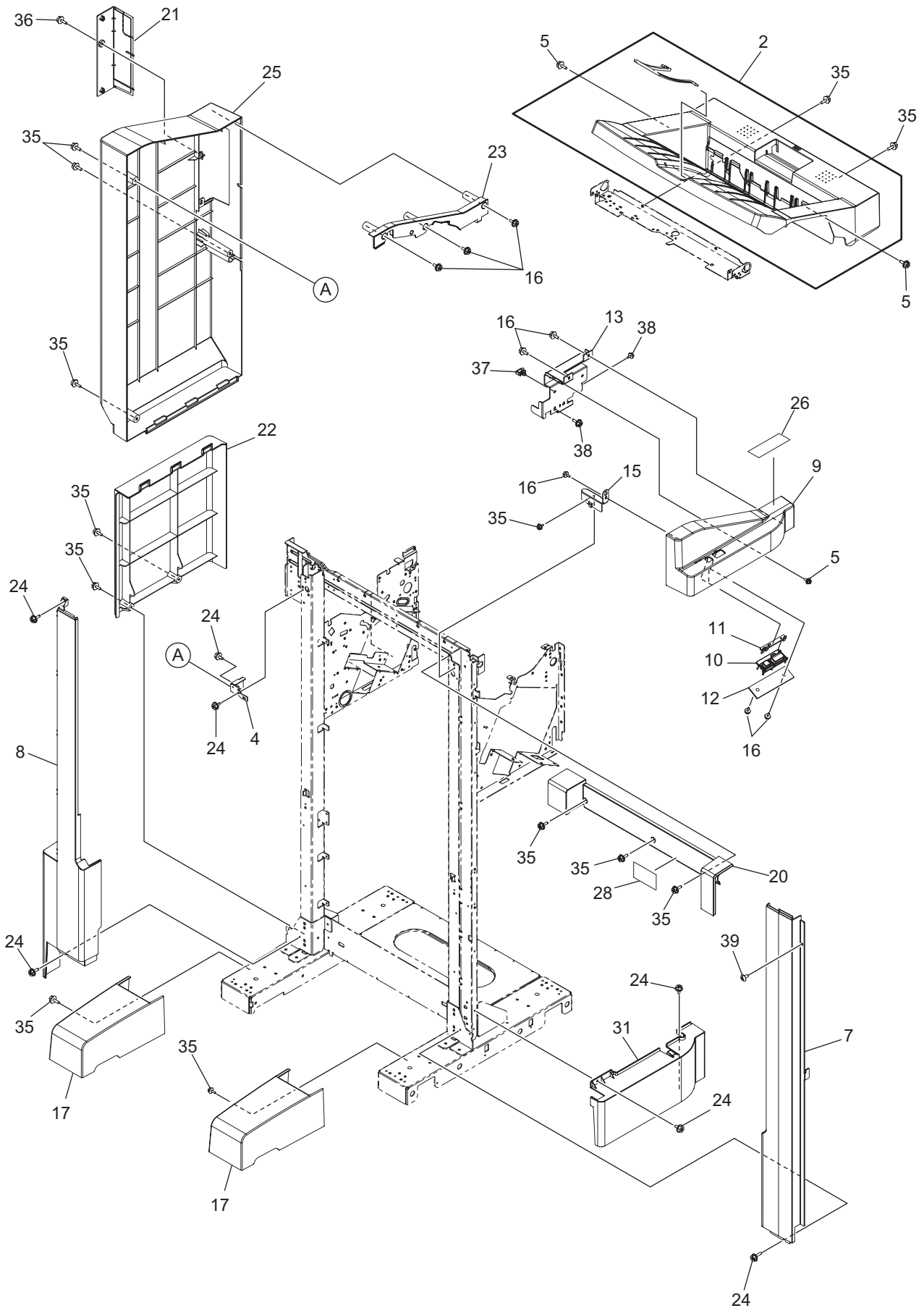
MJ-1109

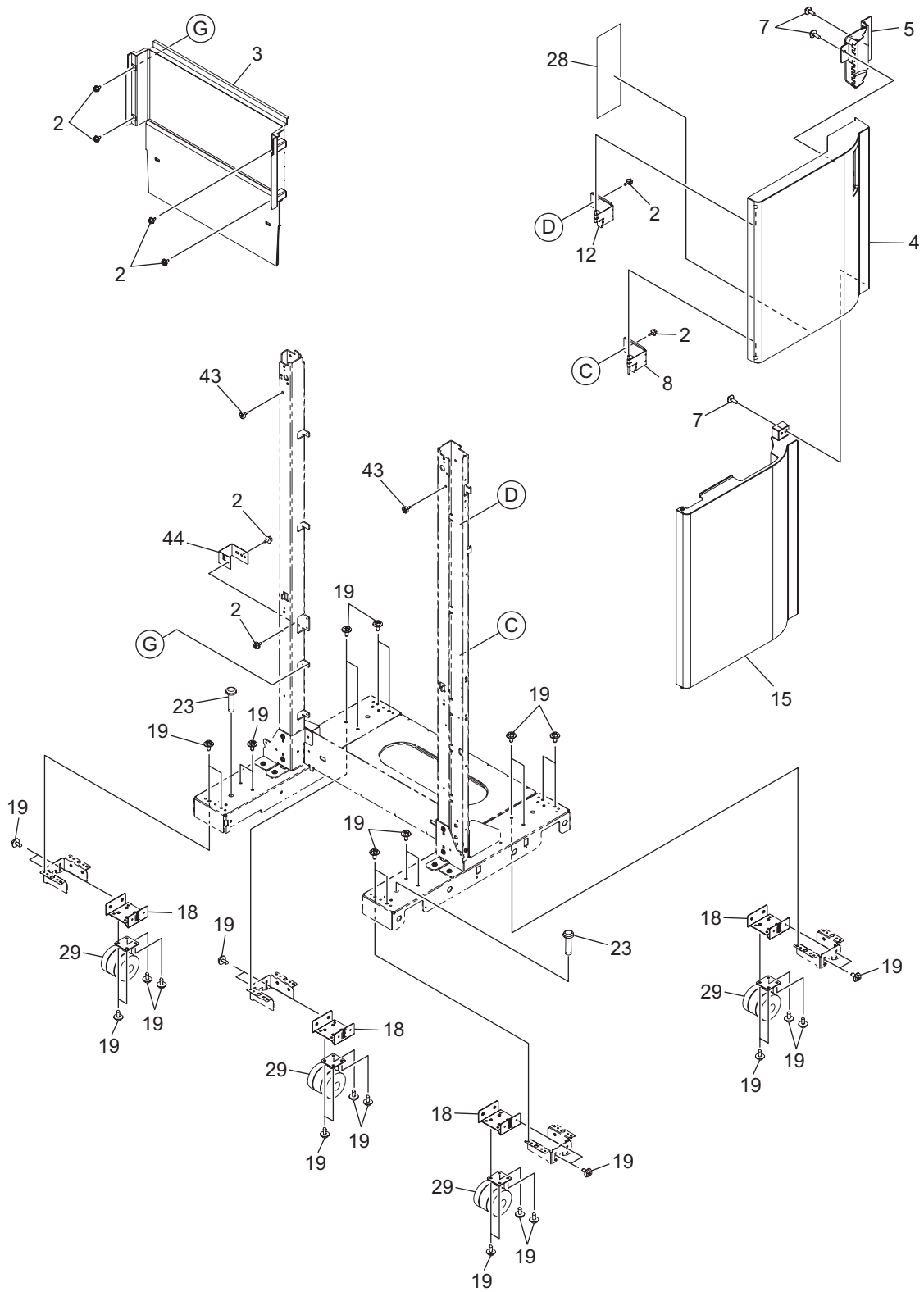
© 2016 TOSHIBA TEC CORPORATION All rights reserved

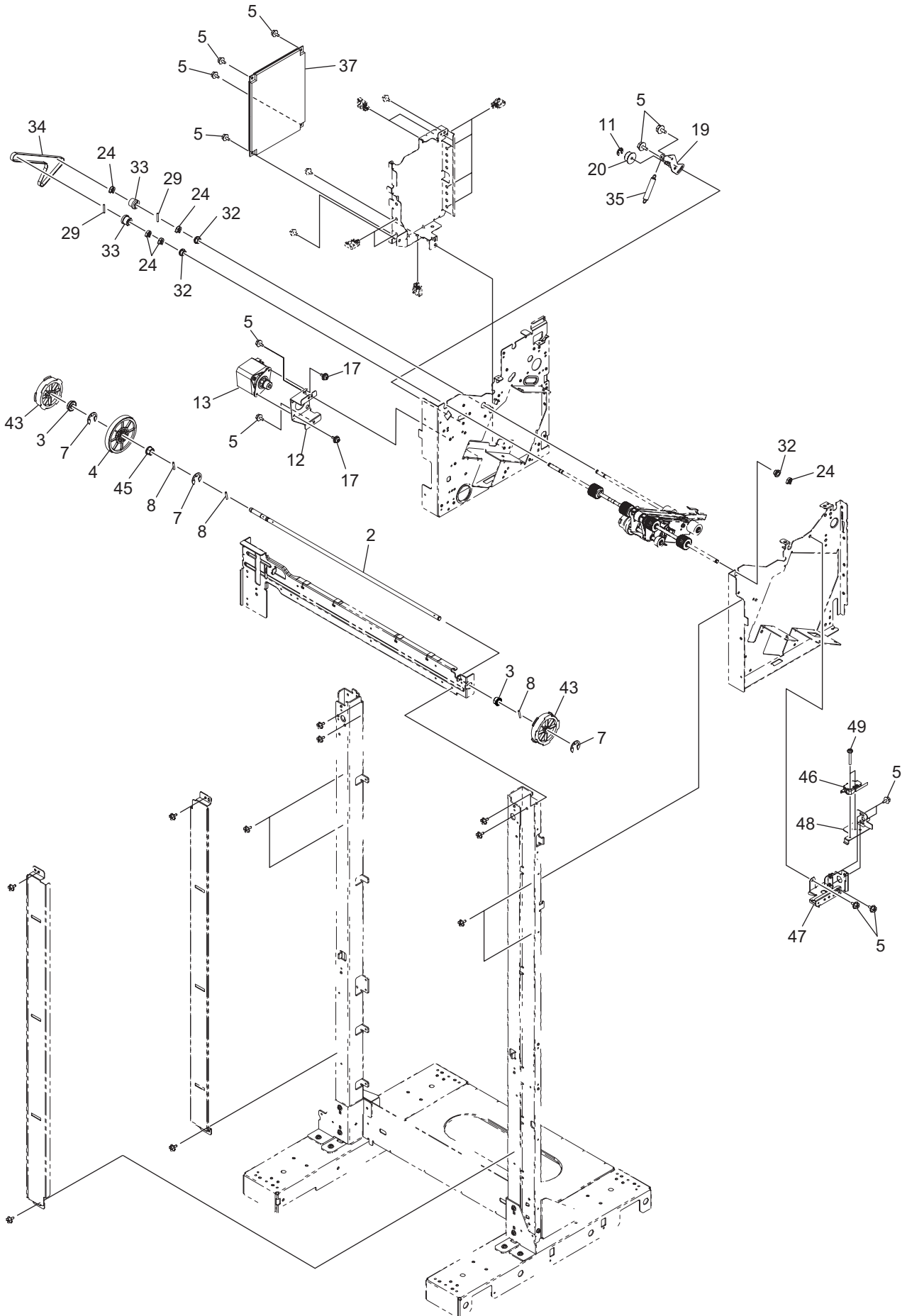
Under the copyright laws, this manual cannot be reproduced in any form without prior written permission of TOSHIBA TEC CORPORATION. No patent liability is assumed, however, with respect to the use of the information contained herein.

CONTENTS

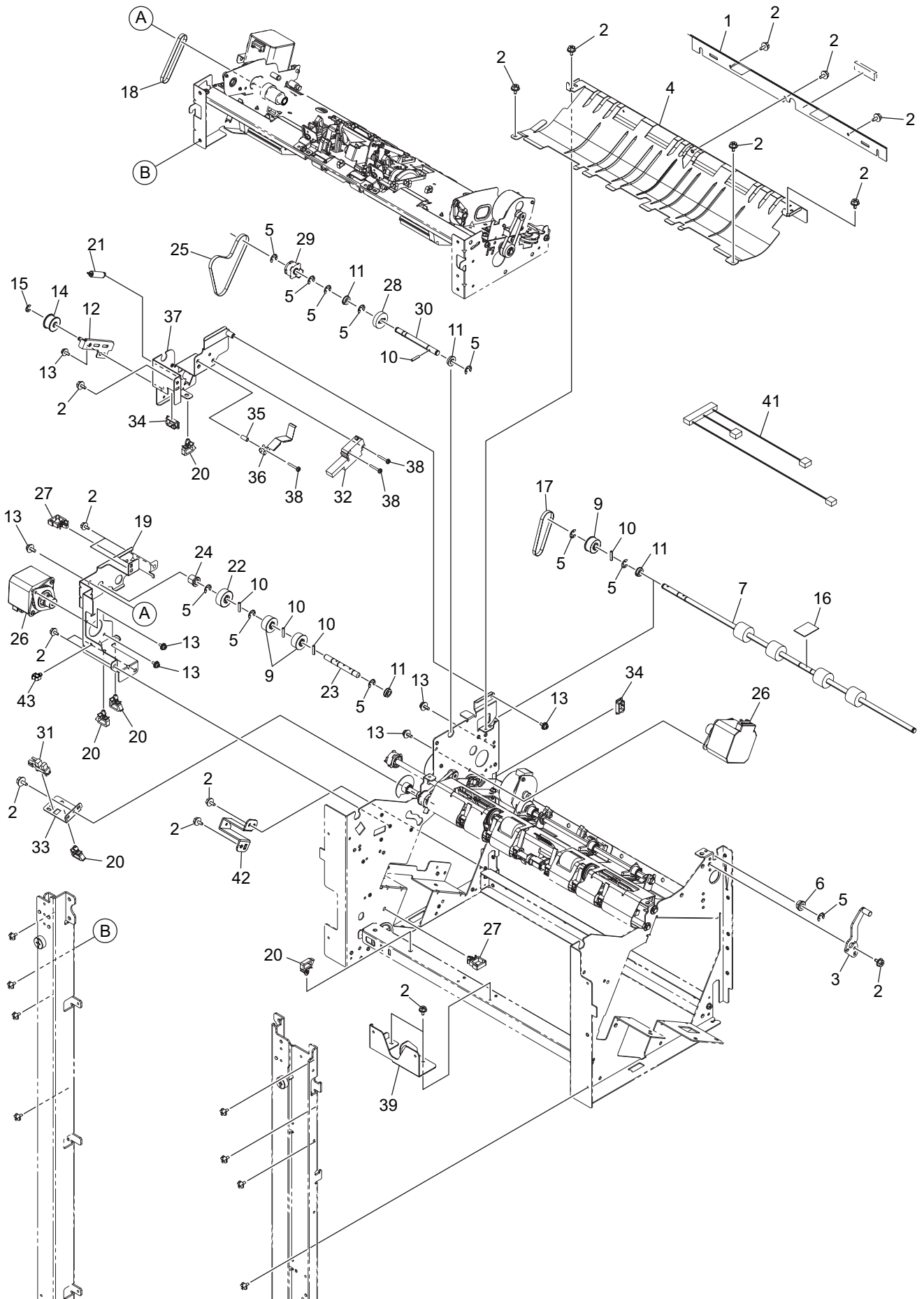
COVER-1-ASM	1
COVER-2-ASM	2
PAPER GUIDE-ASM	3
FRAME-BASE-TRAY-ASM.....	4
FRAME-ALGIN-1-ASM	5
FRAME-ALGIN-2-ASM	6
BUFFER-1-ASM.....	7
BUFFER-2-ASM.....	8
BUFFER-3-ASM.....	9
SORT-ASM.....	10
STAPLE-ASM.....	11
SORT-TRAY-ASYB.....	12
ATTACHMENT-ASM	13
ACCESSORIES	14
JIGS & GREASE.....	15



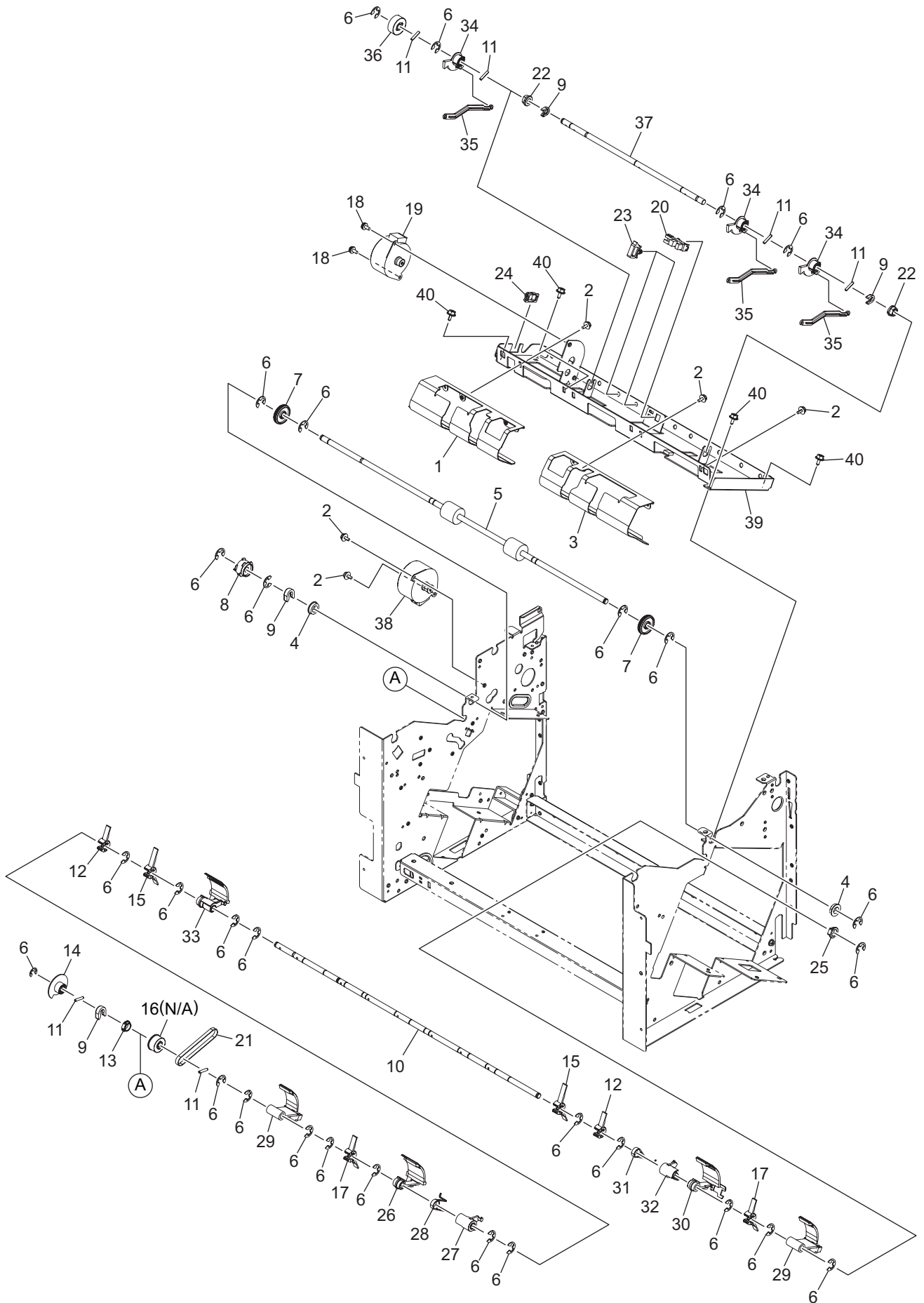




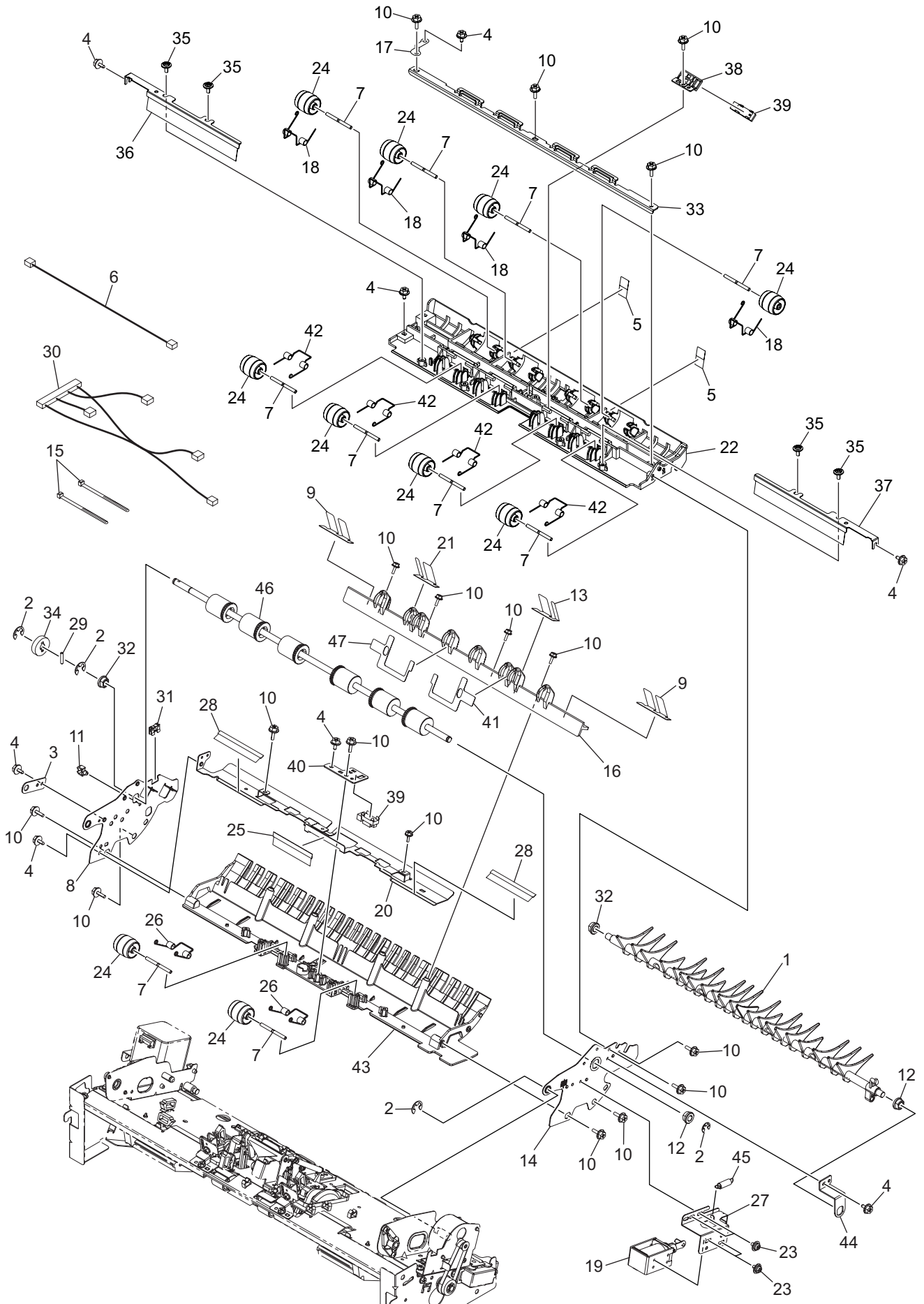
ITEM No.	PART No.	PART NAME	Q'TY / PAGE	Q'TY / PACK	REMARKS
1	6LB11010000	FRAME-BASE-TRAY	1	1/P	
2	6LB10216000	PLATE-P-SNSR-SO	1	1/P	
3	6LB11093000	ROLLER-GUIDE-TRAY	4	1/P	
4	6LB11011000	GUARD-CAP-SLIDERAIL-TRAY	2	1/P	
5	X0-00968000	RR/E-7-SS	11	10/P	
6	6LB11074000	ASYS-RAIL-BRKT-F-TRAY	1	1/P	
7	6LB11075000	ASYS-RAIL-BRKT-R-TRAY	1	1/P	
8	6LB11009000	CLUMP-BELT-C-TRAY	1	1/P	
9	6LK62441000	HRNS-SFTTRY-EAR-618	1	1/P	
10	6LB11182000	BLT-50S5M-1195-TRAY	1	1/P	
11	X0-02420000	S/TPS/FHEXM/R-3X8-ZU3	7	10/P	
12	X0-00077000	S/PAN/SWWP-M3X8-NI	6	10/P	
15	C0-20487000	GP1A173LCS3F	4	1/P	
17	6LB11023000	BRKT-LOW-PULLY-TRAY	2	1/P	
18	6LB11028000	PULLY-S5M32-8-TRAY	2	1/P	
19	6LB11177000	SPG-TENSION-PULLY-TRAY	1	1/P	
21	6LB41744500	SHUTTER-TRAY-PIT2-TJB	1	1/KP	
22	6LB41743200	ACTR-01-SNSR-TRAY-PIT-SS	1	1/KP	
23	6LB41728000	SPG-ACTR-01-TRAY-40-PIT	1	5/P	
24	6LB41708000	STOP-PAPER-PIT	2	1/P	
26	6LB39900000	SPG-STOP-PIT	2	1/P	
28	6LK62449000	HRNS-SHAT-SEN-618	1	1/P	
30	6LB41706000	PLATE-EARTH-ENCL-PIT	2	1/P	
31	6LB41720000	BRKT-ACTR-FN-PIT	1	1/P	
32	6LK59602000	CLUMP-BELT-A-TRAY	1	1/P	
34	6LB41721000	ACTR-SNSR-FN-PIT	1	1/P	
36	6LB41727100	ASYS-ENCL-L-RBT3	1	1/PP	
37	F0-01810000	LWS-0511S-V0	3	5/P	
38	C0-11250000	LG248NL1	1	1/P	
39	X0-02681000	S/TPD3/FHEXM/R-3X8-ZB3	6	10/P	
40	X0-02419000	S/TPS/FHEXM/R-3X6-ZU3	4	10/P	
41	6LB11029000	SFT-TRAY-PULLY-LOW-F	1	1/P	
42	6LB11030000	SFT-TRAY-PULLY-LOW-R	1	1/P	
45	6LK59601000	BRKT-HRNS-TRAY	1	1/P	
46	6LB11183000	ASYB-CLUMP-BELT-B-TRAY	1	1/P	
47	F0-01846000	YJ-100	3	5/P	



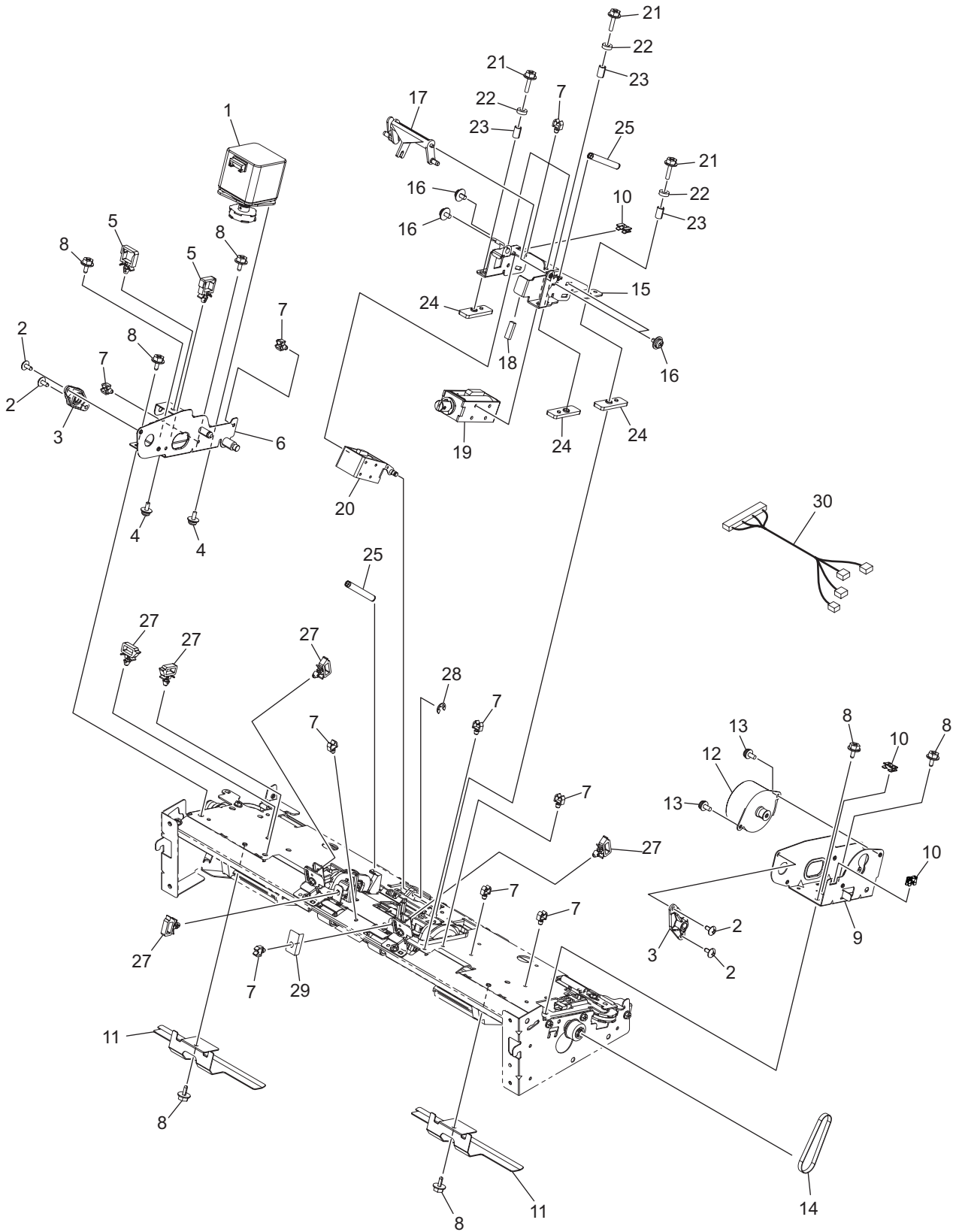
ITEM No.	PART No.	PART NAME	Q'TY / PAGE	Q'TY / PACK	REMARKS
1	6LB40551000	ASYS-MYLAR-FEED-IN-PIT	1	1/C	
2	X0-02419000	S/TPS/FHEXM/R-3X6-ZU3	18	10/P	
3	6LB10838000	ASYS-BRKT-TRY-F-BU-C	1	1/P	
4	6LK58405000	GUIDE-FEED-LOW-RBT3	1	1/D	
5	X0-00966000	RR/E-5-SS	11	10/P	
6	44201492000	BUSH-6-POM	1	5/P	
7	6LK57603000	RLR-FEED-1-RBT3	1	1/P	
9	6LB39507000	PULLY-S2M28-6-SF-PIT	3	1/P	
10	X0-00980000	P/PRL/AH7-2X10-SS	5	10/P	
11	F0-02079000	LF-1060ZZHP0P25LY727	4	1/P	
12	6LK58420000	ASYS-TNSN-EXIT	1	1/P	
13	X0-00060000	S/PAN/SWWP-M3X6-NI	7	10/P	
14	6LB39504000	RLR-TENSION-PIT	1	1/P	
15	X0-00964000	RR/E-3-SS	1	10/P	
16	6LB40550000	SHEET-FEDL-SNSR	1	5/P	
17	6LK58001000	BLT-40-S2M-132	1	1/P	
18	6LK58002000	BLT-40-S2M-140	1	1/P	
19	6LK58404000	BRKT-EXIT-MOTR-RBT3	1	1/P	
20	F0-01810000	LWS-0511S-V0	5	5/P	
21	6LJ37407000	SPG-BLT-TENS-1	1	1/P	
22	6LK57400000	GEAR-5S40-6	1	1/P	
23	6LK58418000	SHAFT-DRV-EXT-RLR-BUF	1	1/P	
24	6LE24986000	BUSH-6X11-GCB	1	5/P	
25	6LB40525000	BLT-40S2M-216-FL-PIT	1	1/P	
26	6LK58438000	MOTR-S-FEED2-RBT3-M	2	1/C	
27	F0-01715000	LWS-3S-V0	2	5/P	
28	6LK58400000	GEAR-10S20-6	1	1/P	
29	6LH79502000	PULLY-S2M28-6-CLUTCH	1	1/P	
30	6LK58422000	SHAFT-GEAR-FEED-1-RBT3	1	1/P	
31	C0-20495000	LG2A24BL1	1	1/C	
32	6LK62548000	HRNS-CVRSW-FRONT-TOP-620	1	1/P	
33	6LB10013000	BRKT-PDL-SNSR	1	1/P	
34	F0-01248000	ESC-0912	2	10/P	
35	F0-01484000	3382330-30090	1	5/P	
36	6LH79504100	SPG-COV-OPENS-W-RBT3	1	1/P	
37	6LK58401000	ASYS-BRKT-FEED-R-RBT3	1	1/P	
38	X0-02060000	S/TPS/PAN-3X16-ZU3	3	10/P	
39	6LB40502000	BRKT-SFT-SHUT-PIT2	1	1/P	
41	6LK62439000	HRNS-INNER-MTR-SEN-618	1	1/P	
42	6LB11231000	PLT-SPCR-REAR-R-B	1	1/P	
43	F0-00042000	UAMS-05S-2	1	5/P	

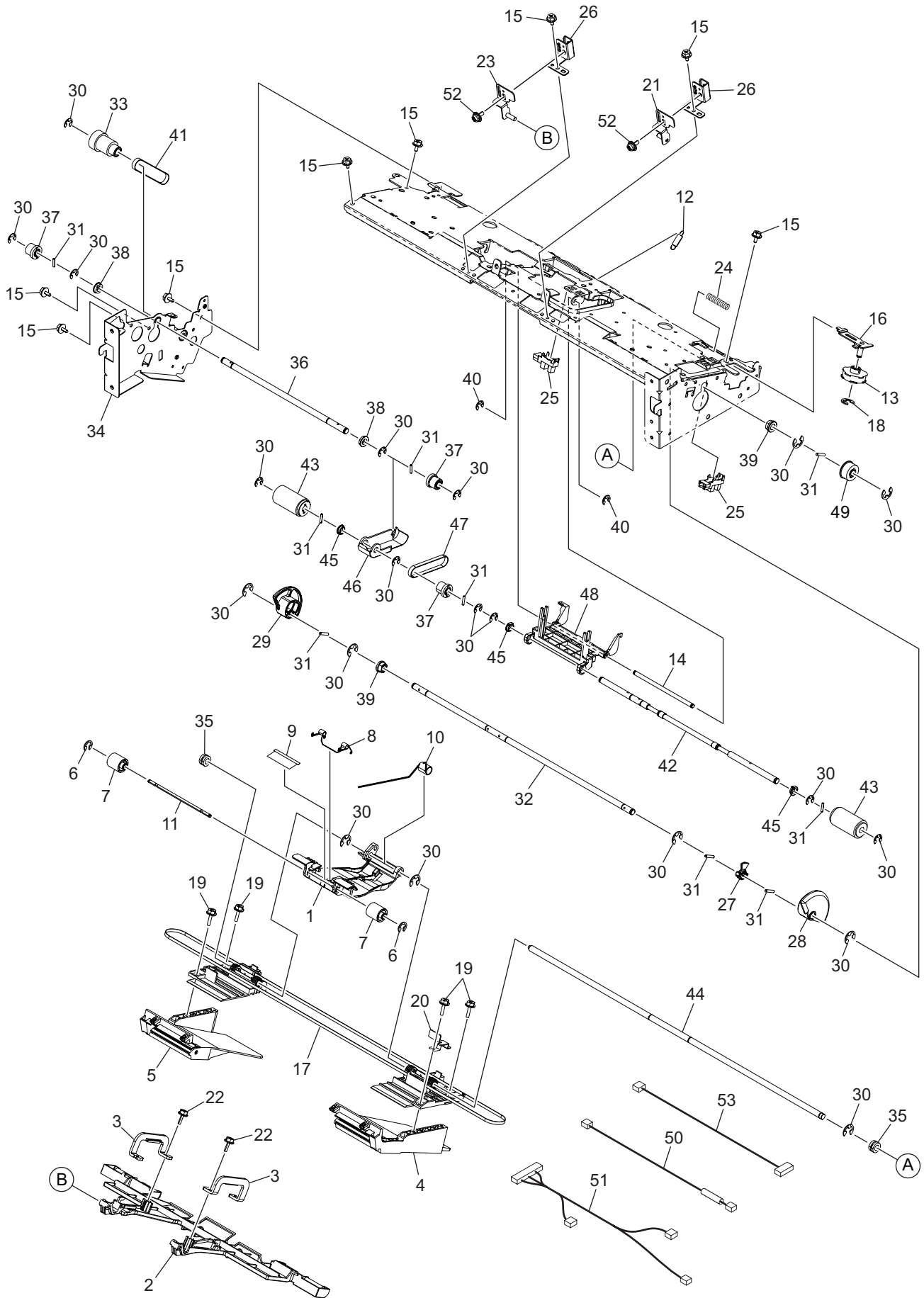


ITEM No.	PART No.	PART NAME	Q'TY / PAGE	Q'TY / PACK	REMARKS
1	6LK58409000	PLATE-GID-PDL-RER-RBT3	1	1/P	
2	X0-00060000	S/PAN/SWWP-M3X6-NI	5	10/P	
3	6LK58408000	PLATE-GID-PDL-FRT-RBT3	1	1/P	
4	F0-02079000	LF-1060ZZHP0P25LY727	2	1/P	
5	6LK57604000	RLR-FEED-2-LOW-RBT3	1	1/P	
6	X0-00966000	RR/E-5-SS	29	10/P	
7	6LK58410000	COL-RLR-23-6	2	1/P	
8	6LH79502000	PULLY-S2M28-6-CLUTCH	1	1/P	
9	6LE49743000	STOP-RING-6-5-POM	4	5/P	
10	6LK58419000	SHAFT-PDL-ALIGN	1	1/P	
11	X0-00980000	P/PRL/AH7-2X10-SS	6	10/P	
12	6LK58414000	ASYS-SPOOL-PDL-ALIGN-3	2	1/P	
13	PVB45-00701	CAM METAL	1	1/P	
14	6LB10020000	WHEEL-SNSR-PDL-VI	1	1/P	
15	6LK58413000	ASYS-SPOOL-PDL-ALIGN-2	2	1/P	
16	6LB39507000	PULLY-S2M28-6-SF-PIT	1	1/P	
17	6LK58412000	ASYS-SPOOL-PDL-ALIGN-1	2	1/P	
18	X0-00059000	S/PAN/SWWS-M3X6-NI	2	10/P	
19	6LK01401000	MOTR-S-PDL-ALIGN-2	1	1/C	
20	C0-20495000	LG2A24BL1	1	1/C	
21	6LK58002000	BLT-40-S2M-140	1	1/P	
22	44201492000	BUSH-6-POM	2	5/P	
23	F0-01810000	LWS-0511S-V0	2	5/P	
24	F0-01248000	ESC-0912	1	10/P	
25	6LH79100000	BUSH-6X8X3F-POM	1	1/P	
26	6LK58615000	ASYS-CLAMP2-R1-RBT3	1	1/P	
27	6LK58616000	ARM1-SF-RBT3	1	1/P	
28	6LK57805000	SPRING-CLAMP2-R	1	1/P	
29	6LK58613000	ASYS-CLAMP2-R2-RBT3	2	1/P	
30	6LK58614000	ASYS-CLAMP2-F1-RBT3	1	1/P	
31	6LK57804000	SPRING-CLAMP2-F	1	1/P	
32	6LK58618000	ARM2-SF-RBT3	1	1/P	
33	6LK58429000	ASYB-CLAMP2-C-RBT3	1	1/P	
34	6LK58619000	WHEEL-BUFFER-RBT3	3	1/P	
35	6LK58621000	ARM-CHUCK-ALIGN	3	1/P	
36	6LK57400000	GEAR-5S40-6	1	1/P	
37	6LK58623000	SFT-CLAMP-BUF-RBT3	1	1/P	
38	6LK01400000	MOTR-S-PDL-ALIGN-RBT-2	1	1/C	
39	6LK58442000	ASYS-BRKT-MOTOR-END-CHUCK	1	1/P	
40	X0-02419000	S/TPS/FHEXM/R-3X6-ZU3	4	10/P	

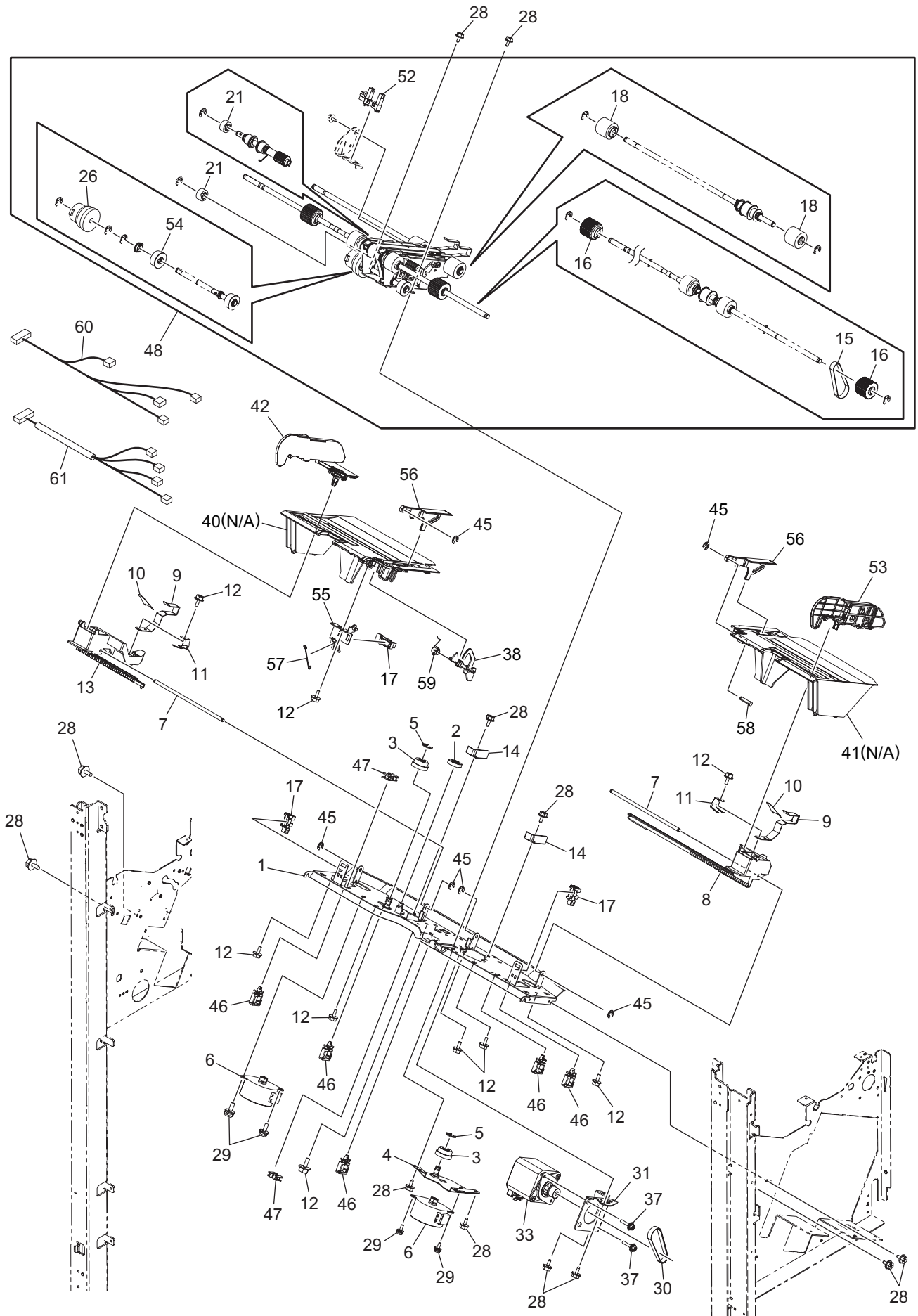


ITEM No.	PART No.	PART NAME	Q'TY / PAGE	Q'TY / PACK	REMARKS
1	6LB10842100	ASYS-FLAP-BU-C-F5330	1	1/D	
2	X0-00966000	RR/E-5-SS	4	10/P	
3	6LB10822000	PLT-SD-PIVOT-D-BU-C	1	1/P	
4	X0-02419000	S/TPS/FHEXM/R-3X6-ZU3	8	10/P	
5	6LB40716000	MYLAR-CVR-UP-T01	2	1/KP	
6	6LK62473000	HRNS-INLET-SEN-618	1	1/P	
7	6LB42751000	PIN-3X35-PIP	10	1/P	
8	6LK58604000	FRM-SIDE-R-BU-C-RBT3	1	1/P	
9	6LB10890000	FILM2-SUPT-TRAY-BU-C	2	1/C	
10	X0-02247000	S/TPP/FHEXM-3X8-NI	17	10/P	
11	F0-00042000	UAMS-05S-2	1	5/P	
12	44201492000	BUSH-6-POM	2	5/P	
13	6LB10889000	FILM1-SUPT-TRAY-BU-C	1	1/C	
14	6LK58603000	FRM-SIDE-F-BU-C-RBT3	1	1/P	
15	F0-01846000	YJ-100	2	5/P	
16	6LB10907100	TRAY-GUIDE-BU-C-F5330	1	1/PP	
17	6LB40718000	PLT-EARTH-FEED-U	1	1/P	
18	6LB10830000	SPG-UPR1-BU-C	4	1/P	
19	6LK58627000	ASYS-SOL-10-SL-BUF1	1	1/C	
20	6LK58600000	PLATE-EARTH-BUF-RBT3	1	1/P	
21	6LB10891000	FILM3-SUPT-TRAY-BU-C	1	1/C	
22	6LK01600000	CVR-UPPER-BU-C-2	1	1/PP	
23	X0-00050000	S/PAN/SWWP-M3X5-NI	4	10/P	
24	6LB10924000	RLR-EXIT-BU-C-GR-PLC	10	1/P	
25	6LK58624000	BRUSH2-C-BUF-UP-RBT3	1	1/KP	
26	6LK57801000	SPG-BTM-BU-C-RBT3	2	1/P	
27	6LB10893000	ASYS-BRKT-SOL-FLP-BU-C	1	1/P	
28	6LK58617000	BRUSH1-BUF-UP-RBT3	2	1/KP	
29	X0-00980000	P/PRL/AH7-2X10-SS	1	10/P	
30	6LK62443000	HRNS-PAPER-PATH-SEN-618	1	1/P	
31	F0-01493000	DS-02S	1	5/P	
32	6LH53768000	BUSH-6-NU4	2	1/P	
33	6LB40719000	PLT-CVR-UPPER-BU-PIT	1	1/P	
34	6LK58400000	GEAR-10S20-6	1	1/P	
35	X0-02642000	S/TPP/FPAN-3X6-ZB3	4	10/P	
36	6LK01603000	BRUSH-TRAY-R-BU-C	1	1/KP	
37	6LK01602000	BRUSH-TRAY-F-BU-C	1	1/KP	
38	6LK58602000	BRKT2-SENSOR-RBT3	1	1/P	
39	C0-14695000	GP2A230LRSAF	2	1/C	
40	6LK58608000	BRKT-BUFFER-SENS-RBT3	1	1/P	
41	6LB30112000	FILM-TRAY-GUIDE-F-PIT	1	1/C	
42	6LB10831000	SPG-UPR2-BU-C	4	1/P	
43	6LK58601000	CVR-BOTTOM-BU-C-RBT3	1	1/D	
44	6LB10909000	BRKT-FLPA-BU-C	1	1/P	
45	6LB10826000	SPG-FLP-BU-C	1	1/P	
46	6LH78707000	RLR-FEED-TRY-BU-C-RBT	1	1/KP	
47	6LB30113000	FILM-TRAY-GUIDE-R-PIT	1	1/C	

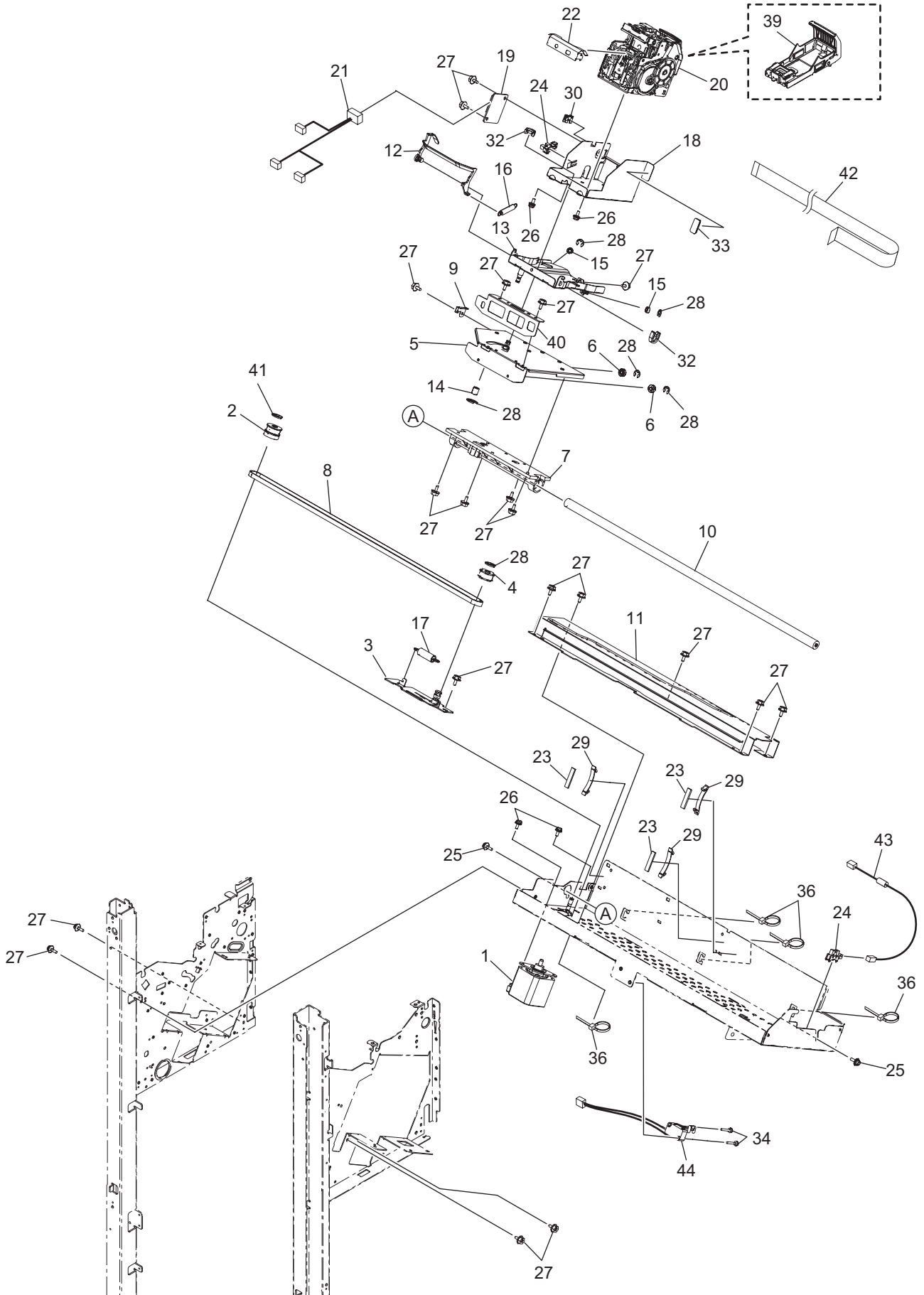




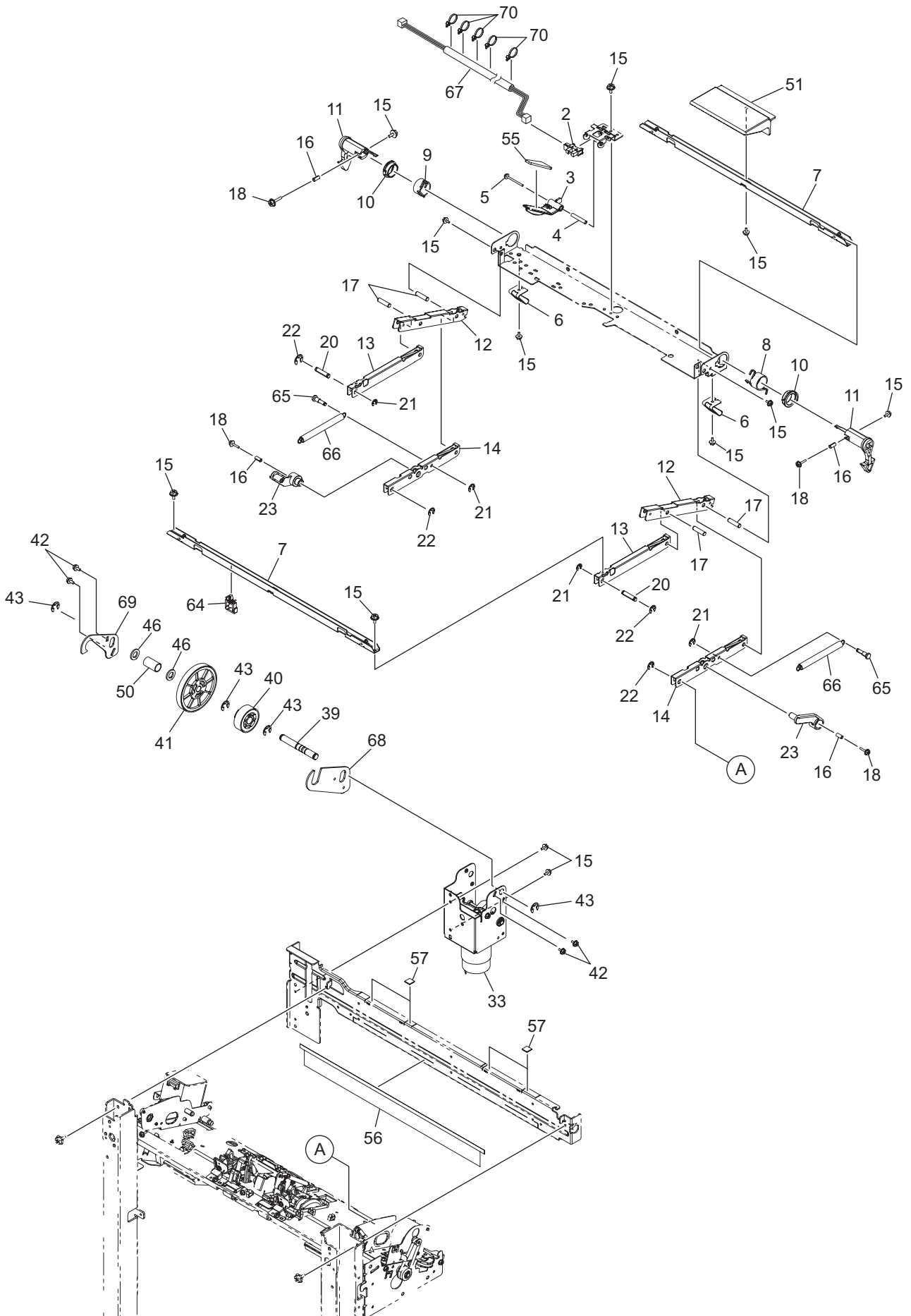
ITEM No.	PART No.	PART NAME	Q'TY / PAGE	Q'TY / PACK	REMARKS
1	6LK58813000	LEVER-ROL-BUF	1	1/P	
2	6LK58830000	GUIDE-ASST-ARM-BUF	1	1/C	
3	6LK58857000	ASYS-GUIDE-ASST-ARM-CAM	2	1/P	
4	6LK58849000	ASYB-TRAY-F-BUF	1	1/PP	
5	6LK58850000	ASYB-TRAY-R-BUF	1	1/PP	
6	X0-00963000	RR/E-2-SS	2	10/P	
7	6LB10899000	RLR-D15XL20-BU-C	2	1/P	
8	6LK57807000	SPG-NS-PRESS-ROL-RBT3	1	1/P	
9	6LK58839000	BRUSH1-LEV-ROL-RBT3	1	1/KP	
10	6LK57808000	SPG-REV-PLT-LRV-ROL	1	1/P	
11	6LK58838000	SHAFT-3XLONG-RBT3	1	1/P	
12	6LK57803000	SPG1-ASST-ARM-BUF	1	1/P	
13	6LB08617000	PLY-MOTOR	1	1/P	
14	6LK58836000	SHAFT-GEAR-EXT-RLR	1	1/P	
15	X0-02419000	S/TPS/FHEXM/R-3X6-ZU3	8	10/P	
16	6LB09824000	ASYS-PLT-TENSSION-BUF	1	1/P	
17	6LH79913000	ASYS-TRAY-BELT-BUF-RBT	1	1/KP	
18	X0-00965000	RR/E-4-SS	1	10/P	
19	X0-02248000	S/TPP/FHEXM-3X10-NI	4	10/P	
20	6LK58802000	PLATE-TRAY-UP-F-RBT3	1	1/P	
21	6LK58828000	ASYS-PLT-GUI-AS-F-RBT3	1	1/P	
22	X0-02247000	S/TPP/FHEXM-3X8-NI	2	10/P	
23	6LK58827000	ASYS-PLT-GUI-AS-R-RBT3	1	1/P	
24	6LH79924000	SPG-TENSSION-BUF-RBT	1	1/P	
25	C0-20495000	LG2A24BL1	2	1/C	
26	6LK58825000	PLT-GUIDE-AST-SD-RBT3	2	1/P	
27	6LK58823000	ACTR-SEN-ASST-ARM	1	1/P	
28	6LK58821000	CAM-ASST-ARM-BUF-F	1	1/P	
29	6LK58822000	CAM-ASST-ARM-BUF-R	1	1/P	
30	X0-00966000	RR/E-5-SS	20	10/P	
31	X0-00980000	P/PRL/AH7-2X10-SS	9	10/P	
32	6LK58833000	SHAFT-DRV-CAM-ASST	1	1/P	
33	6LK57401000	GEAR-5S40-PS2M18-6	1	1/P	
34	6LK58816000	ASYS-FRAME-BUF-R-RBT3	1	1/P	
35	6LB09887000	GLOMET-6X8X11	2	5/P	
36	6LK58835000	SHAFT-RLR-EXIT-BUF-2	1	1/P	
37	6LB08622000	PULLY-S2M18-6-SF	3	1/P	
38	F0-02079000	LF-1060ZZHP0P25LY727	2	1/P	
39	44201492000	BUSH-6-POM	2	5/P	
40	X0-00964000	RR/E-3-SS	2	10/P	
41	6LK58002000	BLT-40-S2M-140	1	1/P	
42	6LK58834000	SHAFT-RLR-EXIT-BUFFER	1	1/P	
43	6LK57600000	ASYS-RLR-BUF	2	1/P	
44	6LK58837000	SFT-TRY-BUF-RBT3	1	1/P	
45	PVB45-00701	CAM METAL	3	1/P	
46	6LK58824000	LINK-RLR-BUF	1	1/P	
47	6LK58000000	BLT-40-S2M-120	1	1/P	
48	6LK58820000	ARM-E-RLR-BUF-RBT3	1	1/P	
49	6LB39507000	PULLY-S2M28-6-SF-PIT	1	1/P	
50	6LK62471000	HRNS-CPL-620	1	1/P	
51	6LK62469000	HRNS-TOP-SEN-620	1	1/P	
52	X0-00060000	S/PAN/SWWP-M3X6-NI	2	10/P	
53	6LK62470000	HRNS-SFT-TRY-SEN-620	1	1/P	



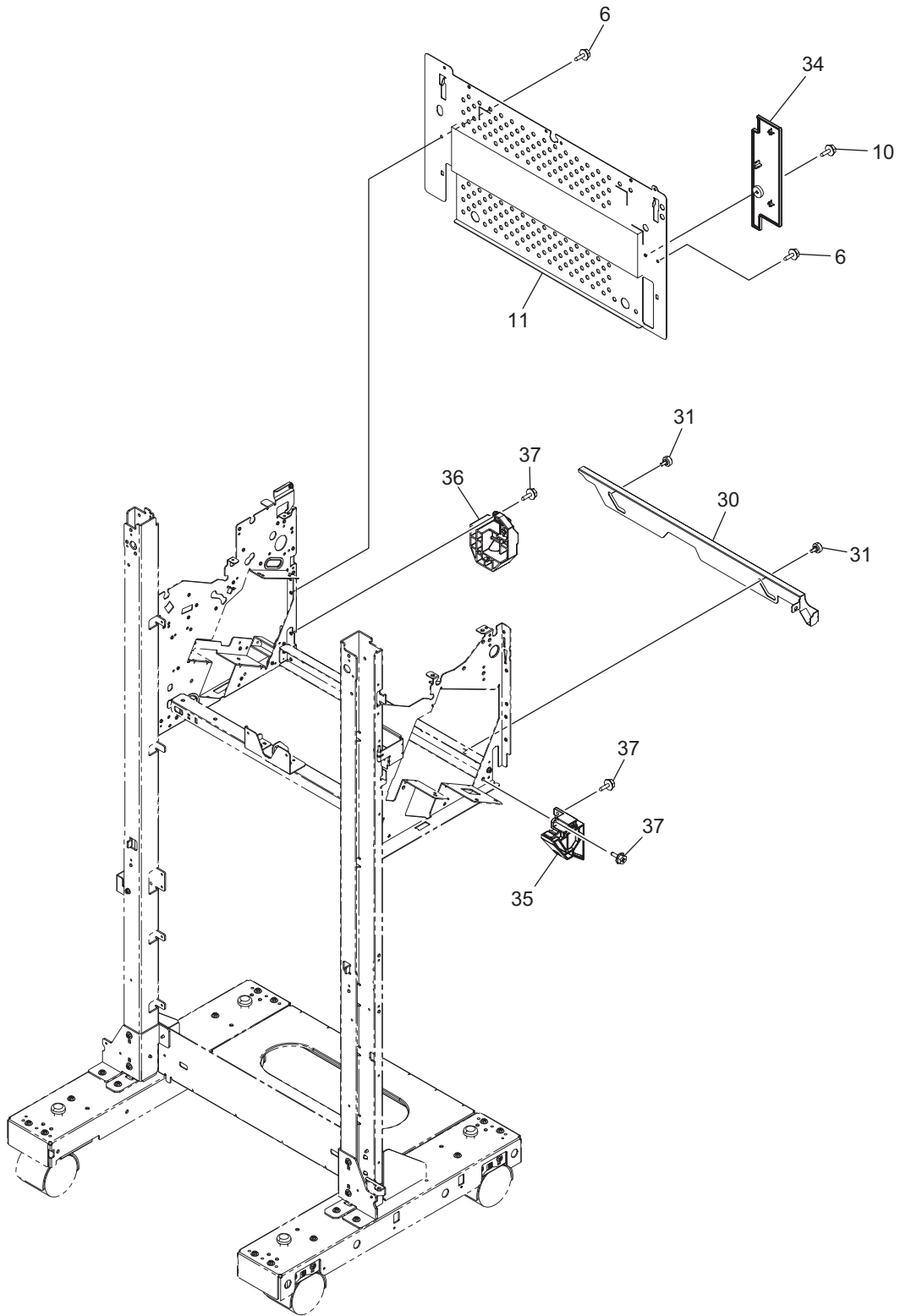
ITEM No.	PART No.	PART NAME	Q'TY / PAGE	Q'TY / PACK	REMARKS
1	6LB10226000	ASYS-BASE-BTM-PLATE	1	1/P	
2	6LB08600000	GEAR-10S16-6-SO	1	1/P	
3	6LB39505000	GEAR-5S40-10S16-6-PIT	2	1/P	
4	6LB10214000	ASYS-BRKT-MOTR-SO	1	1/P	
5	X0-00965000	RR/E-4-SS	2	10/P	
6	6LK01401000	MOTR-S-PDL-ALIGN-2	2	1/C	
7	6LB10217000	SHAFT-GUIDE-P-SIDE	2	1/P	
8	6LB10208000	RACK-GUIDE-P-SIDE-FR	1	1/KP	
9	6LB10207000	PLATE-STOP-RR-SIDE	2	1/P	
10	6LB10206000	MYLAR-P-PRESS-SO	2	1/KP	
11	6LB10222000	PLATE-EARTH-SO	2	1/C	
12	X0-02246000	S/TPP/FHEXM-3X6-NI	9	10/P	
13	6LB10209000	RACK-GUIDE-P-SIDE-RR	1	1/KP	
14	6LB41108000	PLATE-SLIDE-GUIDE	2	1/P	
15	6LB10615000	BLT-60S2M-134-SF	1	1/P	
16	6LB39706000	ASYS-RLR-SF-22R5	2	1/P	
17	C0-20495000	LG2A24BL1	3	1/C	
18	6LB10609000	ASYS-RLR-SF	2	1/P	
21	6LB08621000	GEAR-10S14-6-DV	2	1/P	
26	6LB08406000	CLUCH-26G-6-10S30	1	1/D	
28	X0-02419000	S/TPS/FHEXM/R-3X6-ZU3	12	10/P	
29	X0-00059000	S/PAN/SWWS-M3X6-NI	4	10/P	
30	6LB39510000	BLT-60S2M138-SF-PIT	1	1/P	
31	6LH80102000	BRKT-MOTR-SF-RBT	1	1/P	
33	6LK59040000	MOTR-PR-TRAY-RBT3-M	1	1/C	
37	X0-00060000	S/PAN/SWWP-M3X6-NI	2	10/P	
38	6LK59022000	ACTR-P-SNSR-SF-RBT3	1	1/P	
40	6LH80128100	ASYS-TABLE-F-PR-TRAY-RBT3	1	N/A***	
41	6LH80129100	ASYS-TABLE-R-PR-TRAY-RBT3	1	N/A***	
42	6LH80151100	ASYB-PLT-JOG-R-PR-TRAY-BK	1	1/D	
45	X0-00964000	RR/E-3-SS	6	10/P	
46	F0-01810000	LWS-0511S-V0	5	5/P	
47	F0-01493000	DS-02S	2	5/P	
48	6LK59023000	ASYB-SHEAF-FEED-RBT3	1	1/C	
52	C0-15544000	LG285D1	1	1/P	
53	6LH80150100	ASYB-PLT-JOG-F-PR-TRAY-BK	1	1/D	
54	6LB08624000	PULLY-S2M30-6-SF	1	1/P	
55	6LK59005000	ASYS-BRKT-P-SNSR-SF-RBT3	1	1/P	
56	6LK59017000	GUIDE-PR-TRAY-RBT3	2	1/P	
57	6LK57800000	SPG-BRKT-SNSR-SF-RBT3	1	1/P	
58	6LK59034000	SFT-BRKT-SNSR-SF-RBT3	1	1/P	
59	6LK59044000	SPG-ACTR-P-SNSR-SF-RBT3	1	1/P	
60	6LK62435000	HRNS-EXIT-TRAY-MTR-618	1	1/P	
61	6LK62436000	HRNS-EXIT-TRAY-SEN-618	1	1/P	

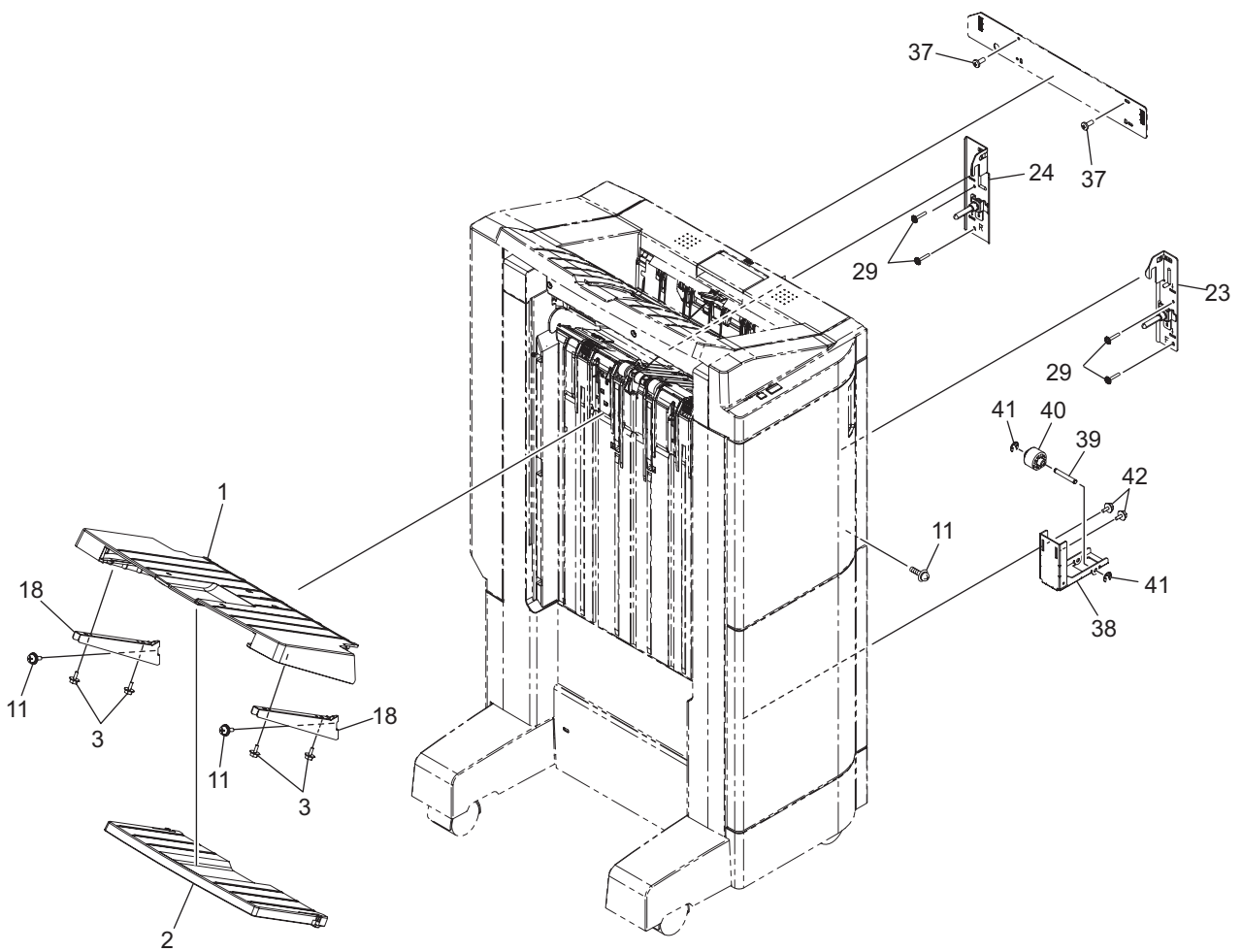


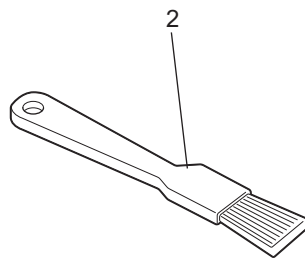
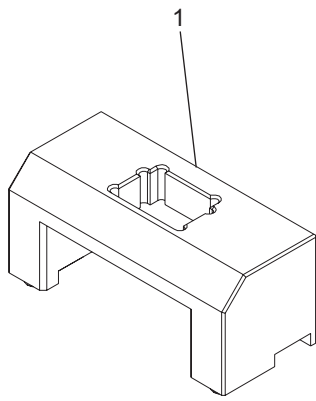
ITEM No.	PART No.	PART NAME	Q'TY / PAGE	Q'TY / PACK	REMARKS
1	6LK59210000	MOTR-STAPLE-RBT3-M	1	1/C	
2	6LK59200000	PLY-S3M20-GEAR-6S40	1	1/P	
3	6LB10460000	ASYS-PLT-PLY-STPL	1	1/P	
4	6LB08619000	PLY-CARR-STPL	1	1/P	
5	6LH80307000	ASYS-CARR-STPL-2	1	1/P	
6	6LB08804000	RLR-CARR-STPL	2	1/P	
7	6LB10450000	ASYS-S-CARRIER	1	1/P	
8	6LK59205000	BLT-40S3M-900-SP	1	1/P	
9	6LB10431000	PLATE-EARTH-STPL	1	1/P	
10	6LB10402000	SHAFT-CARR-STPL	1	1/KP	
11	6LB10403000	PLATE-TURN-RAIL	1	1/P	
12	6LB10425000	ACTR-STPL	1	1/C	
13	6LB10420000	ASYS-BASE-STPL	1	1/P	
14	6LB08806000	RLR-SLIDE-STPL	1	1/P	
15	6LB08805000	RLR-BASE-STPL	2	1/P	
16	6LB09011000	SPG-ACRT-STPL	1	1/P	
17	6LK59206000	SPG-CARR-STPL-S3M	1	1/P	
18	6LB10412000	PLATE-TURN-STPL	1	1/P	
19	6LB12404000	PWA-SPR-101	1	1/C	
20	6LH79102000	STAPLE_EH-C590T2	1	1/C	
21	6LB12424000	HRNS-SPRCAR	1	1/P	
22	6LB10413000	PLATE-GID-HOLD-ARM	1	1/C	
23	6LB10404000	RUBR-STPL	3	5/P	
24	C0-20487000	GP1A173LCS3F	2	1/P	
25	X0-00077000	S/PAN/SWWP-M3X8-NI	2	10/P	
26	X0-00059000	S/PAN/SWWS-M3X6-NI	4	10/P	
27	X0-02419000	S/TPS/FHEXM/R-3X6-ZU3	20	10/P	
28	X0-00964000	RR/E-3-SS	6	10/P	
29	F0-01286000	FCR-30	3	5/P	
30	F0-01493000	DS-02S	1	5/P	
32	6LE49743000	STOP-RING-6-5-POM	2	5/P	
33	6LH83031000	LABEL-GREEN-1	1	5/P	
34	X0-02060000	S/TPS/PAN-3X16-ZU3	2	10/P	
36	F0-01846000	YJ-100	4	5/P	
39	6LH80303000	EH-C590T2-CARTRIDGE	1	1/C	
40	6LH80305000	PLT-GUIDE-SUPPT-SW-STAPLE	1	1/P	
41	X0-00966000	RR/E-5-SS	1	10/P	
42	6LK62549000	HRNS-SPRFFC-618	1	1/P	
43	6LK62448000	HRNS-SPRSFTHP-SEN-618	1	1/P	
44	6LK62527000	HRNS-SPRSFTSW-618	1	1/P	



ITEM No.	PART No.	PART NAME	Q'TY / PAGE	Q'TY / PACK	REMARKS
2	C0-20487000	GP1A173LCS3F	1	1/P	
3	6LB10801000	ACT-TRAY-BU-C	1	1/P	
4	F0-01485000	3382330-30250	1	5/P	
5	X0-02098000	S/PAN/SWWP-M3X30-NI	1	10/P	
6	6LB10850000	PLT-SPG-TRAY-CH-BU-C	2	1/P	
7	6LB10820000	LVR-PLT-SFT-BU-C	2	1/P	
8	6LB10828000	SPG-LVR-OPN-F-BU-C	1	1/P	
9	6LB10829000	SPG-LVR-OPN-R-BU-C	1	1/P	
10	6LB10802000	BUSH-LEVER-BU-C	2	5/P	
11	6LB10805000	LEVER-BU-C	2	1/P	
12	6LB10821000	PLATE-LINK-BU-C	2	1/P	
13	6LB41914000	LINK-TRAY-PIT-BU-C	2	1/P	
14	6LB10819100	LINK-TRAY-BU-1	2	1/P	
15	X0-02419000	S/TPS/FHEXM/R-3X6-ZU3	12	10/P	
16	F0-01484000	3382330-30090	4	5/P	
17	6LB12140000	PIN-5X20	4	10/P	
18	X0-02595000	S/TPD3/FHEXM-3X12-ZU3	4	10/P	
20	6LB10929000	SD-PIVOT-D-BU-C	2	1/P	
21	X0-00964000	RR/E-3-SS	4	10/P	
22	X0-00966000	RR/E-5-SS	4	10/P	
23	6LB10807000	LINK-COV-BTM-BU-C	2	1/P	
33	6LK02404100	ASYB-BOX-GEAR-TRAY-VLT3	1	1/C	
39	6LB11033000	SHAFT3-DRV-TRAY	1	1/P	
40	6LB11025000	GEAR-12R5S21-8-TRAY	1	1/P	
41	6LB11026000	GEAR-12R5S51-8-TRAY	1	1/P	
42	X0-00059000	S/PAN/SWWS-M3X6-NI	4	10/P	
43	X0-00968000	RR/E-7-SS	4	10/P	
46	X0-02351000	W/PL/SJ0-8-NI	2	5/P	
50	6LB11035000	SPG-DRV-TRAY	1	1/P	
51	6LB10806D00	LEVER-TRAY-BU-C-SSAJB	1	1/P	
55	6LB30114100	DAMPER-TRAY-BU-C-PIT	1	1/P	
56	6LK58861000	BRUSH-STAY-TOP	1	1/KP	
57	6LB09954000	FELT-SOL-BU-C	4	1/P	
64	F0-01715000	LWS-3S-V0	1	5/P	
65	6LB10928000	SD-LINK-TRAY-BU-C	2	1/P	
66	6LB10930000	SPG-LINK-TRAY	2	1/P	
67	6LB42946000	HRNS-FIN1-B-PTJ	1	1/P	
68	6LB11081000	PLT-GEAR-HOLD-FRT-TRAY	1	1/P	
69	6LB11082000	PLT-GEAR-HOLD-RER-TRAY	1	1/P	
70	F0-01846000	YJ-100	5	5/P	







TOSHIBA

TOSHIBA TEC CORPORATION

1-11-1, OSAKI, SHINAGAWA-KU, TOKYO, 141-8562, JAPAN