

TOSHIBA

SERVICE PARTS LIST

SADDLE STITCH FINISHER

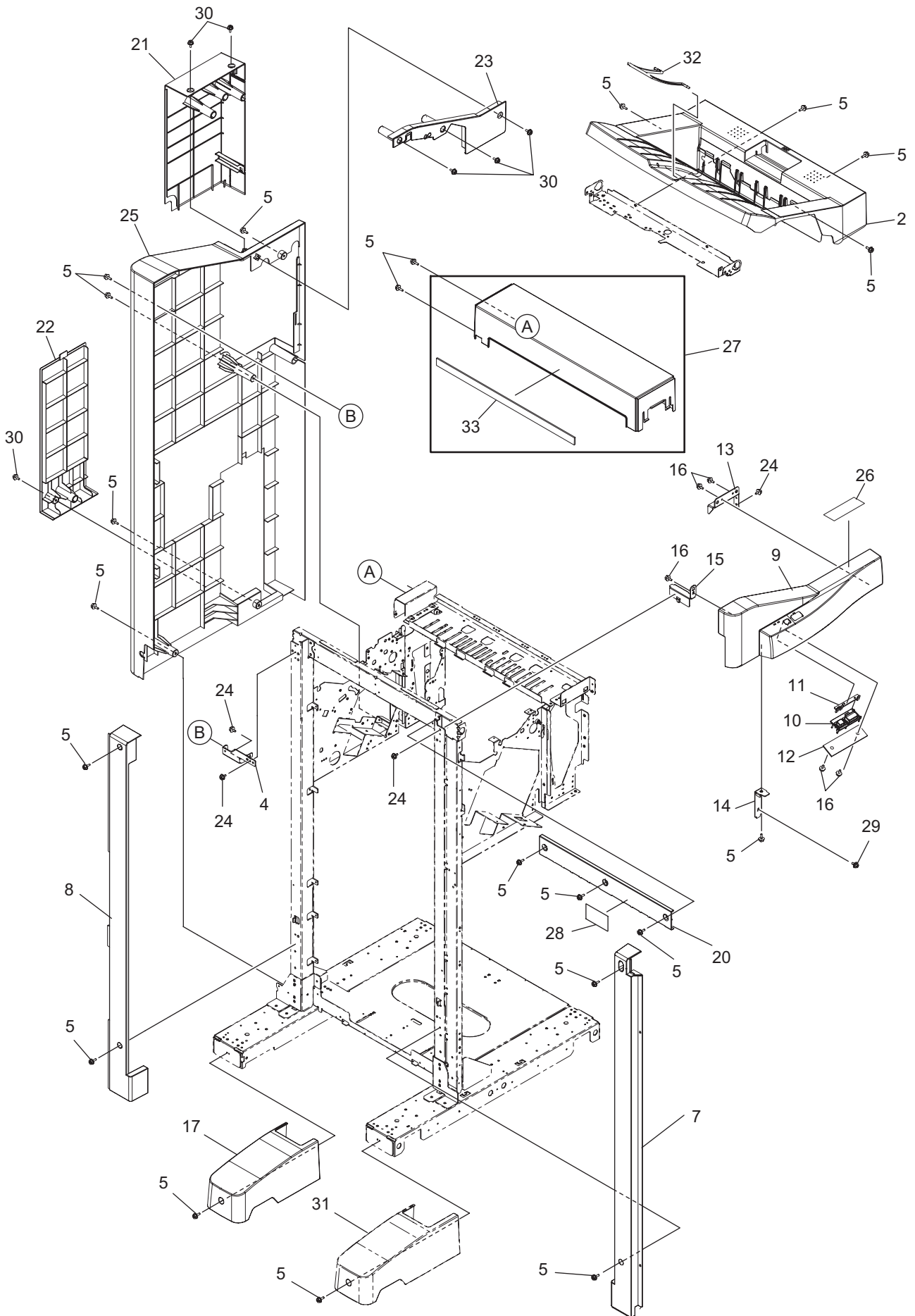
MJ-1108

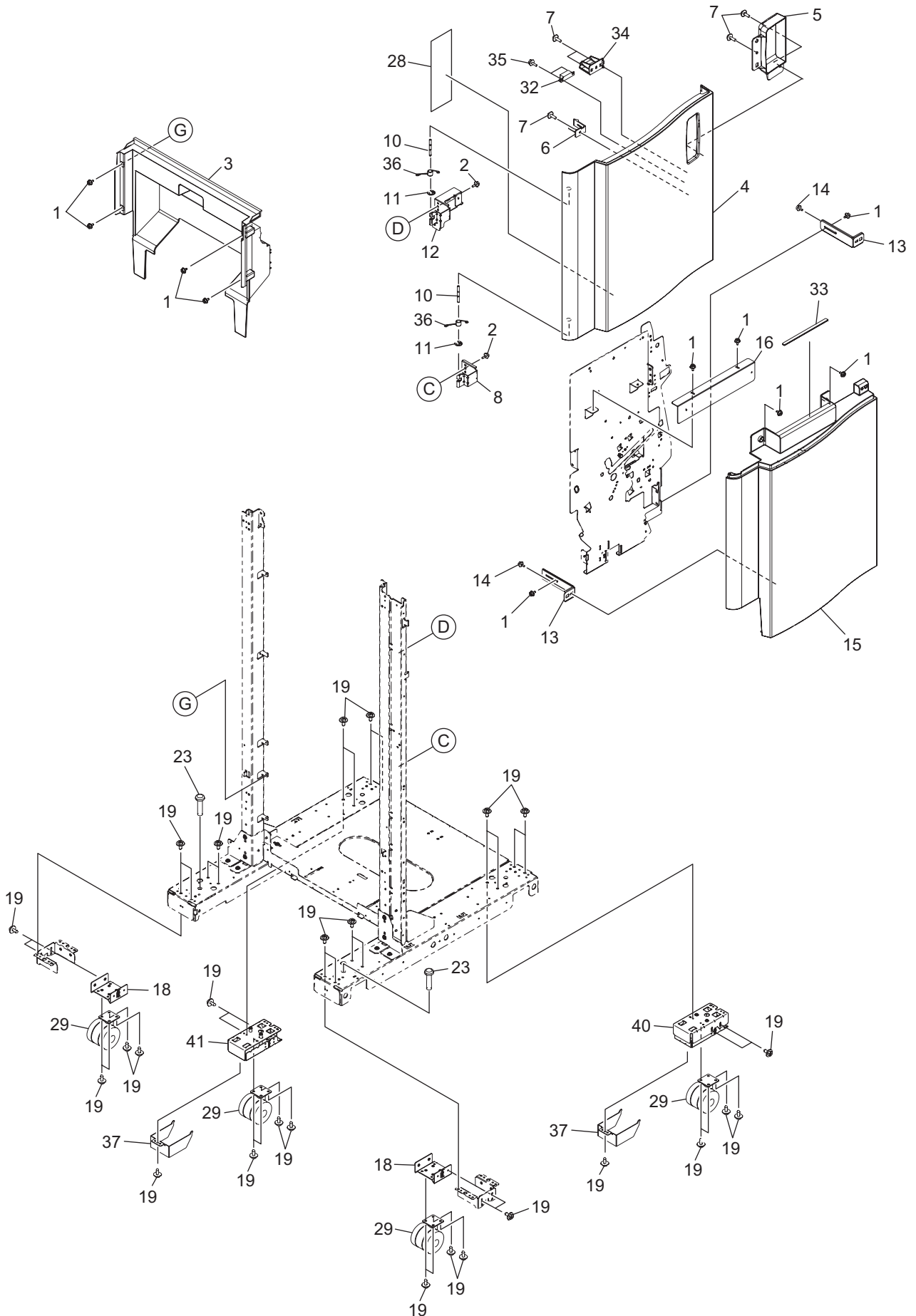
© 2013 TOSHIBA TEC CORPORATION All rights reserved

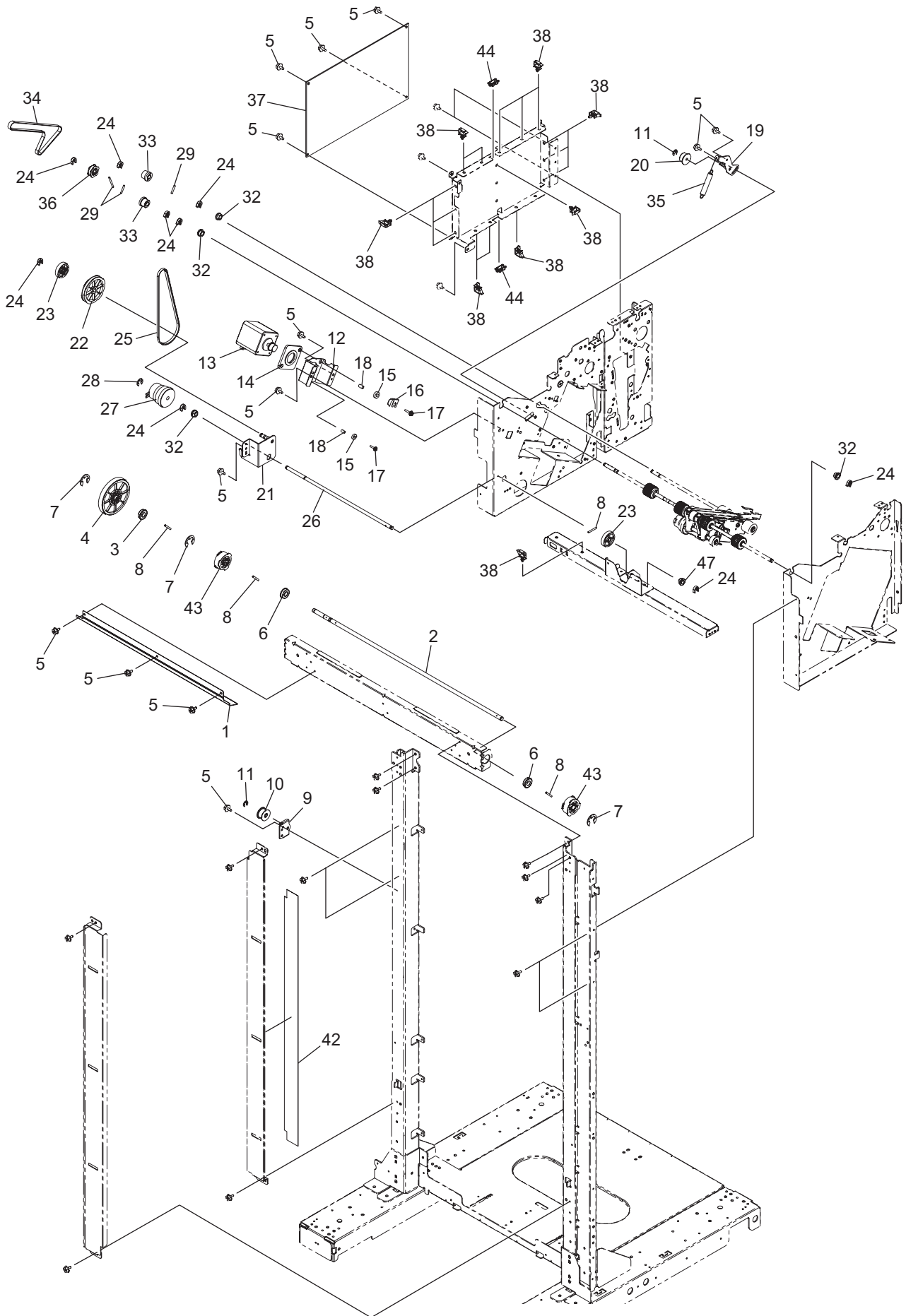
Under the copyright laws, this manual cannot be reproduced in any form without prior written permission of TOSHIBA TEC CORPORATION. No patent liability is assumed, however, with respect to the use of the information contained herein.

CONTENTS

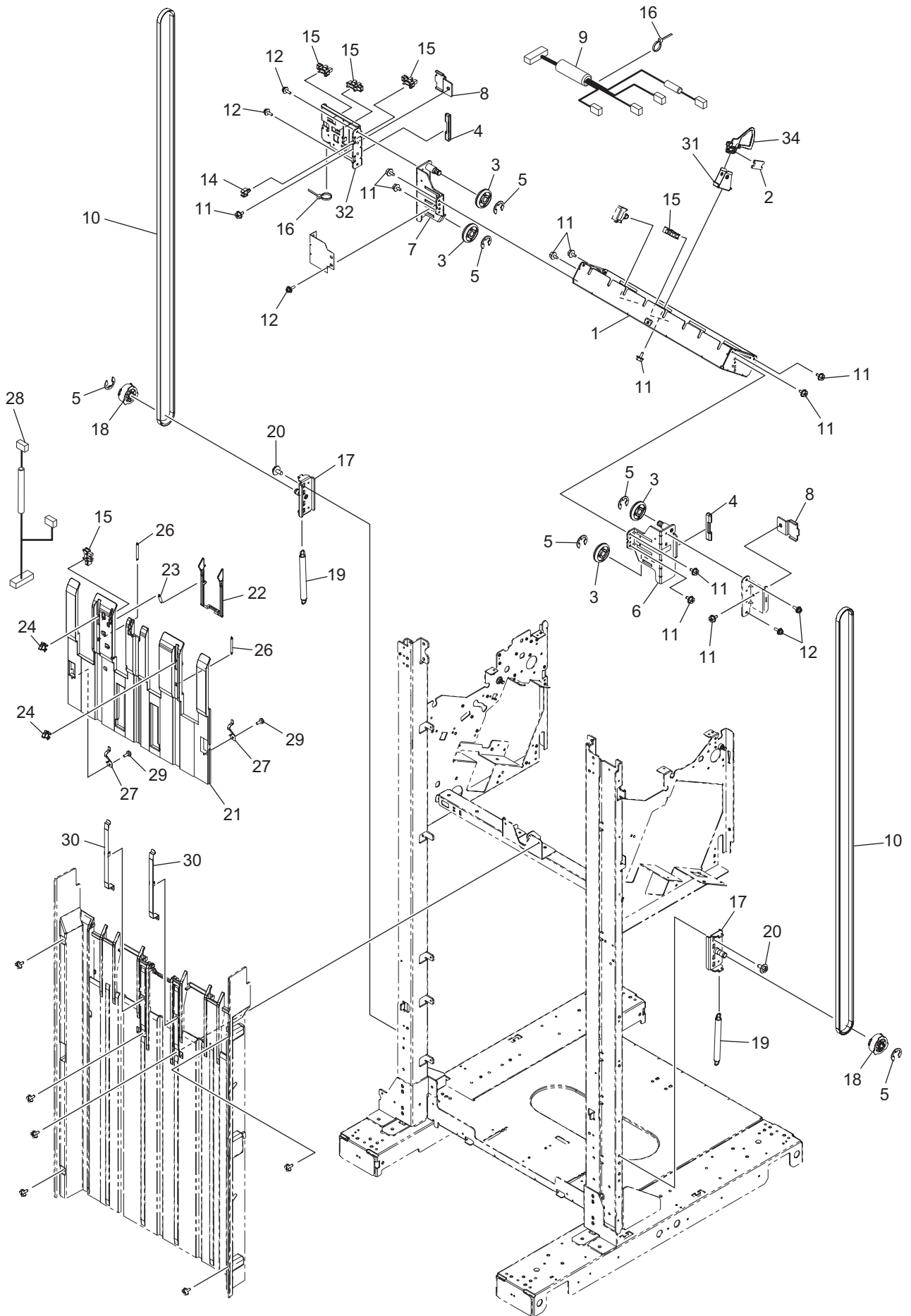
COVER-1-ASM	1
COVER-2-ASM	2
PAPER GUIDE-ASM	3
FRAME-BASE-TRAY-ASM.....	4
FRAME-ALGIN-1-ASM	5
FRAME-ALGIN-2-ASM	6
BUFFER-1-ASM.....	7
BUFFER-2-ASM.....	8
BUFFER-3-ASM.....	9
SORT-ASM.....	10
STAPLE-ASM.....	11
SORT-TRAY-ASM	12
ATTACHMENT-ASM	13
ACCESSORIES-ASM	14
JCT-BOX-ASYM-SDL.....	16
GUIDE-RAIL-SDL-ASM	17
FRAME-SD-ASM	18
FOLD-GEAR-ASM	19
STACK-ASM.....	20
P-PRESS-ASM	21
STAPLE-ASM-SDL.....	22
SORT-ASYM-SD	23
EFS-SDL-1-ASM.....	24
EFS-SDL-2-ASM.....	25
SW-BACK-1-ASM	26
SW-BACK-2-ASM	27
SW-BACK-3-ASM	28
ACCESSORIES-SDL-ASM	29
HARNESS-1.....	41
HARNESS-2.....	42
JIGS & GREASE.....	51

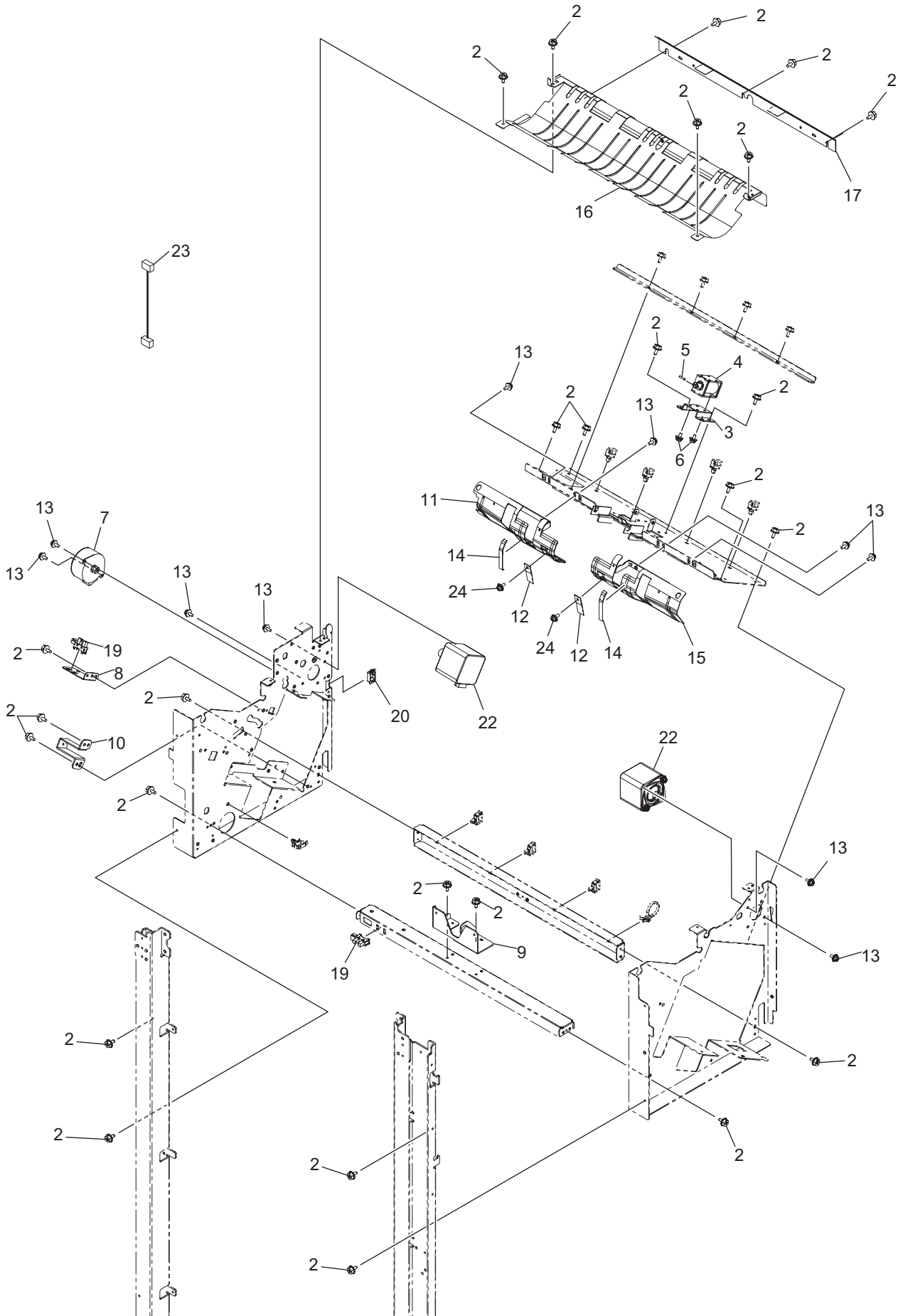


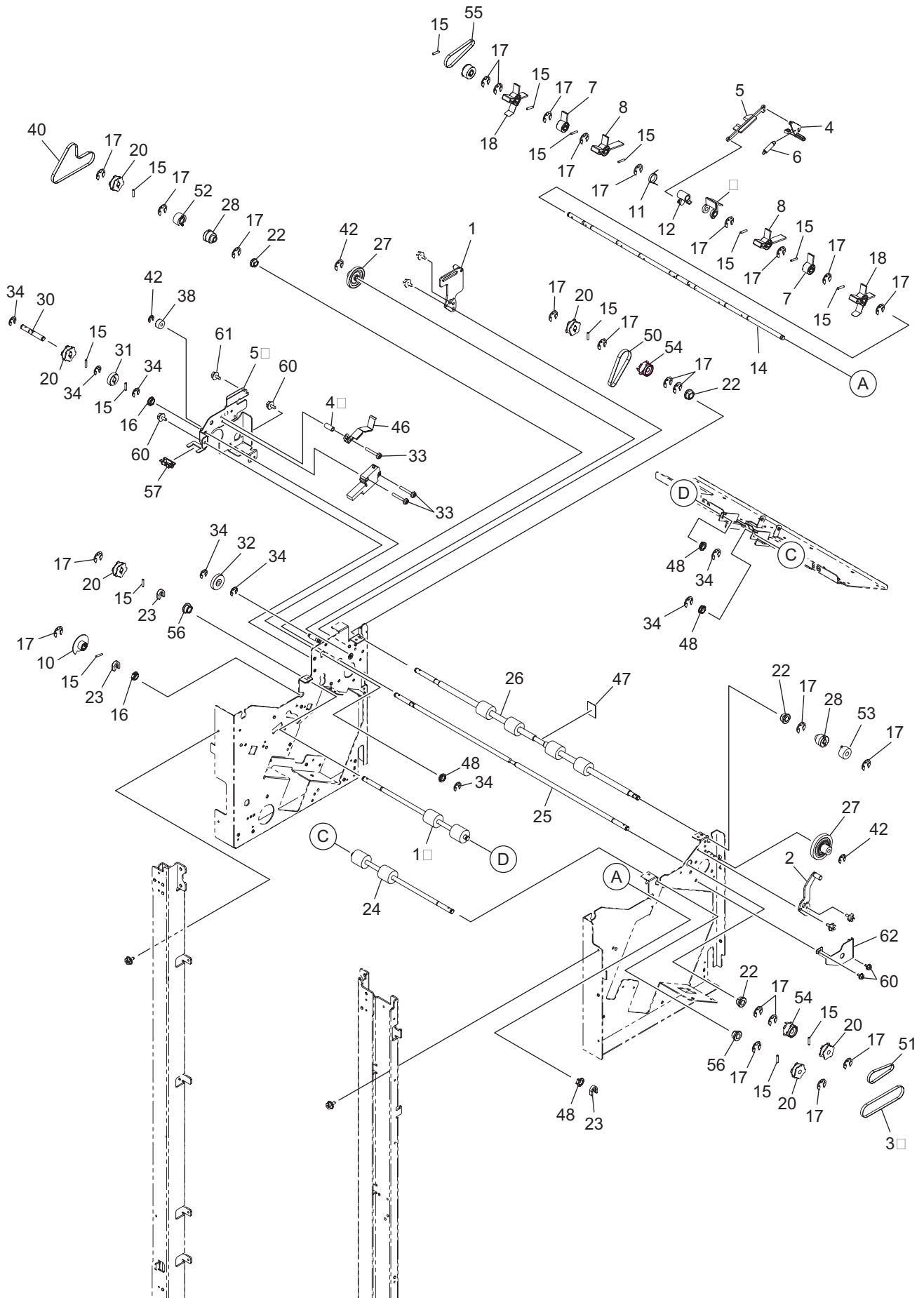




ITEM No.	PART No.	PART NAME	Q'TY / PAGE	Q'TY / PACK	REMARKS
1	6LB41520000	PLATE-RAISE-BRUSH	1	1/KP	
2	6LB41521000	SHAFT-DRV-TRAY-UD-PIT	1	1/P	
3	6LH23442000	BUSH-8X12X8F-NU4	1	5/P	
4	6LB11026000	GEAR-12R5S51-8-TRAY	1	1/P	
5	X0-02419000	S/TSPS/FHEXM/R-3X6-ZU3	13	10/P	
6	F0-01390000	LNR-1680HHRP0P15LY13	2	1/P	
7	X0-00968000	RR/E-7-SS	3	10/P	
8	X0-01533000	P/PRL/AH7-2X16-SS	4	10/P	
9	6LB41504000	ASYS-PLT-PLY-IDL-2-TD-PIT	1	1/P	
10	6LB39504000	RLR-TENSION-PIT	1	1/P	
11	X0-00964000	RR/E-3-SS	2	10/P	
12	6LB10619000	BRKT-MOTR-VI	1	1/P	
13	6LB08417000	MOTR-HB42K1-S2M20-VI	1	1/C	
14	6LB09851000	DUMPER_MOTOR_4210	1	1/P	
15	6LB09852000	DUMPER_SCREW	2	5/P	
16	6LB09885000	PLT-EARTH-MTR	1	1/P	
17	X0-02030000	S/PAN/SWWP-M3X12-NI	2	10/P	
18	F0-01634000	3382330-30065	2	5/P	
19	6LB10606000	ASYS-PLATE-PLY-IDL-SF	1	1/P	
20	FBHB0008901	BELT TENSION ROLLER	1	1/P	
21	6LB11040000	ASYS-BRKT-EL-CLUTCH-TRAY	1	1/P	
22	6LB11053000	PULLY-S3M50-6-TRAY	1	1/P	
23	6LB11050000	GEAR-10S25-6-TRAY	2	1/P	
24	6LE49743000	STOP-RING-6-5-POM	9	5/P	
25	6LB11045000	BELT-SHUT-S3M-TRAY	1	1/P	
26	6LB11054000	SHAFT-DRV-SHUT-TRAY	1	1/P	
27	6LB11048000	EL-CLUTCH-SHUT-TRAY	1	1/D	
28	X0-00965000	RR/E-4-SS	1	10/P	
29	X0-01526000	P/PRL/AH7-2X12-SS	3	10/P	
32	6LH53768000	BUSH-6-NU4	4	1/P	
33	6LB39506000	PULLY-S2M21-6-SF-PIT	2	1/P	
34	6LB39511000	BLT-60S2M-344-SF	1	1/P	
35	6LB09013000	SPG-BLT-TENS-SF	1	1/P	
36	6LB11052000	PULLY-S3M20-6-TRAY	1	1/P	
37	6LJ89953000	ASY-FIN-574	1	1/SB	
38	F0-01715000	LWS-3S-V0	16	5/P	
42	6LB11083000	MYLAR-BRKT-RAIL-COVER	1	1/KP	
43	6LB39503000	PULLY-S5M18-8-PIT	2	1/P	
44	F0-01248000	ESC-0912	2	10/P	
47	44201492000	BUSH-6-POM	1	5/P	

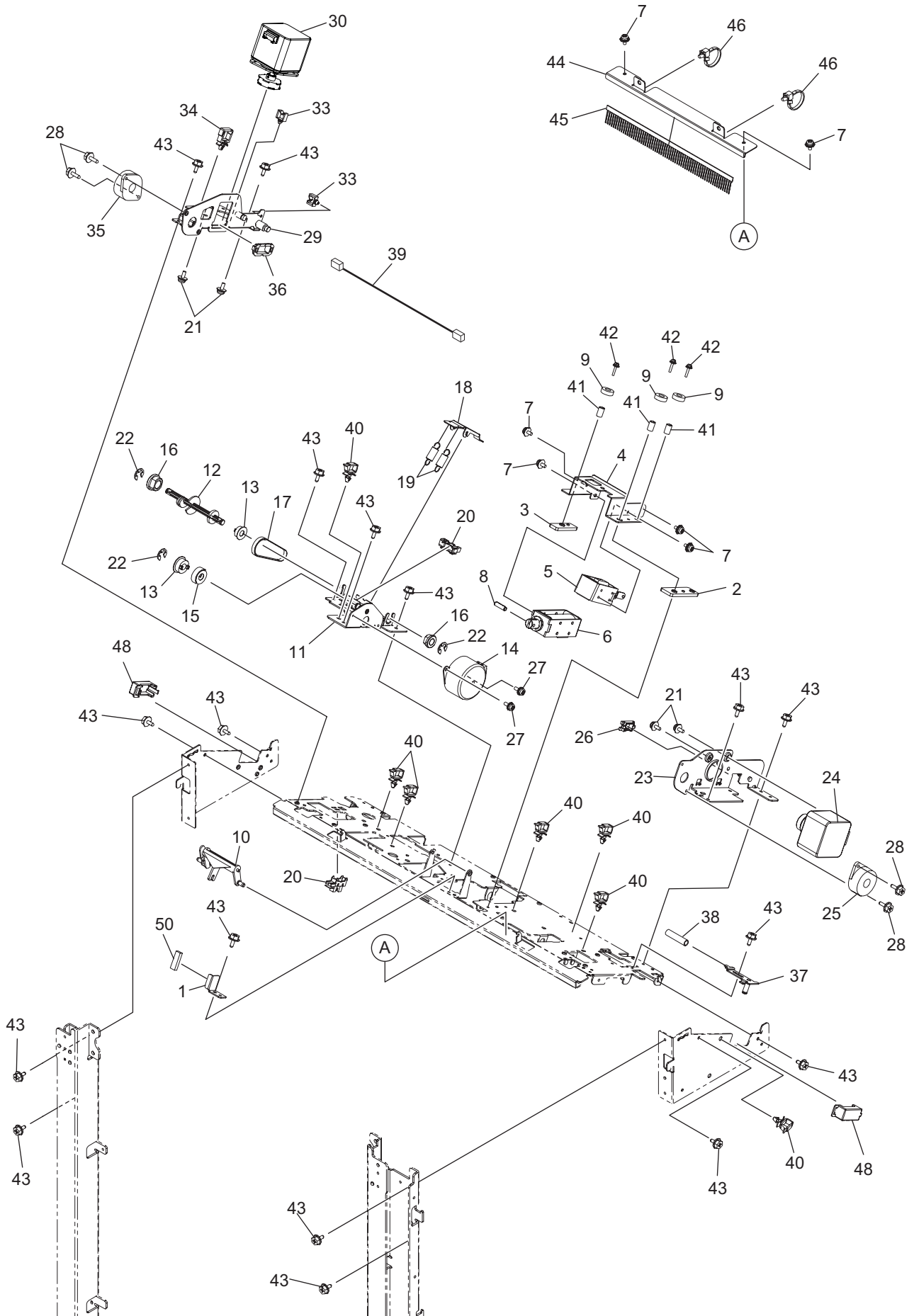




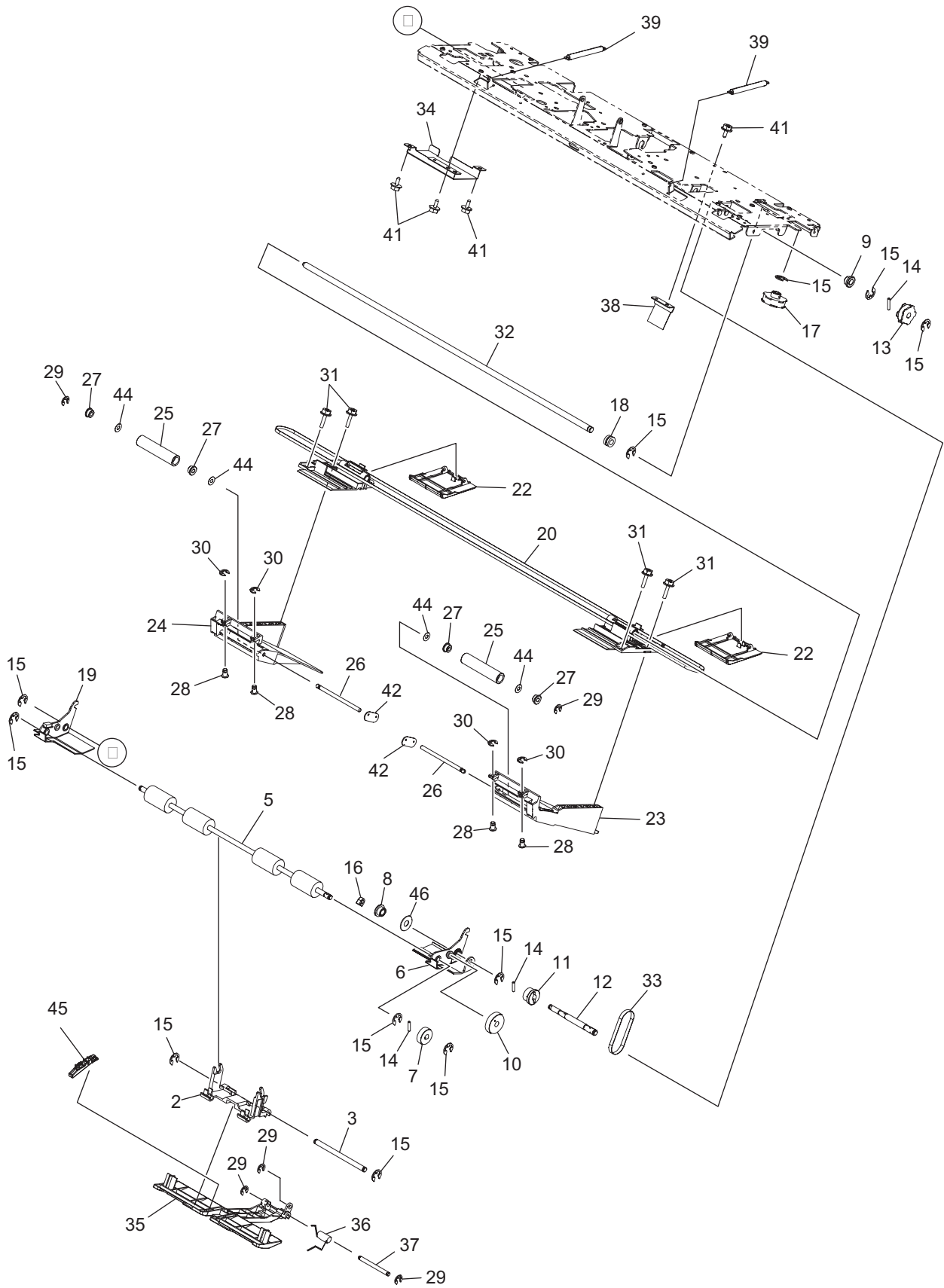


ITEM No.	PART No.	PART NAME	Q'TY / PAGE	Q'TY / PACK	REMARKS
1	6LB30105000	ASYS-BRKT-TRAY-OPN-PIT	1	1/P	
2	6LB10838000	ASYS-BRKT-TRY-F-BU-C	1	1/P	
4	6LB10018000	LEVER-SOL-ALIGN	1	1/P	
5	6LB10008000	ARM-SOL-ALIGN	1	1/P	
6	6LB09002000	SPG-SOL-ALIGN	1	1/P	
7	6LB10001000	ASYS-PDL-DRP-SID-VI	2	1/P	
8	6LB10002000	ASYS-PDL-DRP-VI	2	1/P	
9	6LB10072000	ASYS-ZIPPER-ALIGN-A	1	1/P	
10	6LB10020000	WHEEL-SNSR-PDL-VI	1	1/P	
11	6LB09003000	SPG-ZIPPER-ALIGN	1	1/P	
12	6LB10012000	ZIPPER-ALIGN-B	1	1/P	
14	6LB10019000	SHAFT-PDL-VI	1	1/P	
15	X0-00980000	P/PRL/AH7-2X10-SS	15	10/P	
16	PVB45-00701	CAM METAL	2	1/P	
17	X0-00966000	RR/E-5-SS	25	10/P	
18	6LB10060000	ASYS-PDL-DRP-OUT-72	2	1/C	
19	6LH78705000	RLR-FEED-2-R2	1	1/KP	
20	6LB08609000	PULLY-S2M30-6-5	6	1/P	
22	F0-02079000	LF-1060ZZHP0P25LY727	4	1/P	
23	6LE49743000	STOP-RING-6-5-POM	3	5/P	
24	6LH78704000	RLR-FEED-2-L	1	1/KP	
25	6LH79505000	SHAFT-LOW-RBT	1	1/P	
26	6LH78709000	RLR-FEED-1-RBT	1	1/KP	
27	6LH79500000	GEAR-5S60_PS2M15-5	2	1/P	
28	6LH79501000	GEAR-ATCMNT-CLT	2	1/P	
30	6LH79525000	SFT-FEED-U-GEAR	1	1/P	
31	6LB08608000	GEAR-FEED-LOW-6	1	1/P	
32	6LB08607000	GEAR-FEED-LOW-8	1	1/P	
33	X0-02060000	S/TPS/PAN-3X16-ZU3	3	10/P	
34	X0-00965000	RR/E-4-SS	8	10/P	
38	6LB40506000	RLR-BLTENS-FL-PIT	1	1/P	
39	6LB40526000	BLT-40S2M-182-FL-PIT	1	1/P	
40	6LB40525000	BLT-40S2M-216-FL-PIT	1	1/P	
42	X0-00964000	RR/E-3-SS	3	10/P	
46	6LH79504000	SPG-COV-OPENS- RBT	1	1/P	
47	6LB40550000	SHEET-FEDL-SNSR	1	5/P	
48	6LH79100000	BUSH-6X8X3F-POM	4	1/P	
49	F0-01484000	3382330-30090	1	5/P	
50	6LH78501000	BLT-40-S2M-106	1	1/P	
51	6LH78502000	BLT-40-S2M-116	1	1/P	
52	6LE05773000	CLUTCH-6-RW-390	1	1/P	
53	6LE06731000	CLUTCH-6-LB-390	1	1/P	
54	6LH79502000	PULLY-S2M28-6-CLUTCH	2	1/P	
55	6LH78503000	BLT-40-S2M-126	1	1/P	
56	6LH53768000	BUSH-6-NU4	2	1/P	
57	F0-01248000	ESC-0912	1	10/P	
59	6LH79540000	ASYS-BRKT-FEED-R-RBT	1	1/P	
60	X0-02419000	S/TPS/FHEXM/R-3X6-ZU3	6	10/P	
61	X0-02551000	S/PAN/SWWP-M3X6-ZU3	1	10/P	
62	6LH79543000	COVER-FEED-GEAR-PIT3	1	1/P	

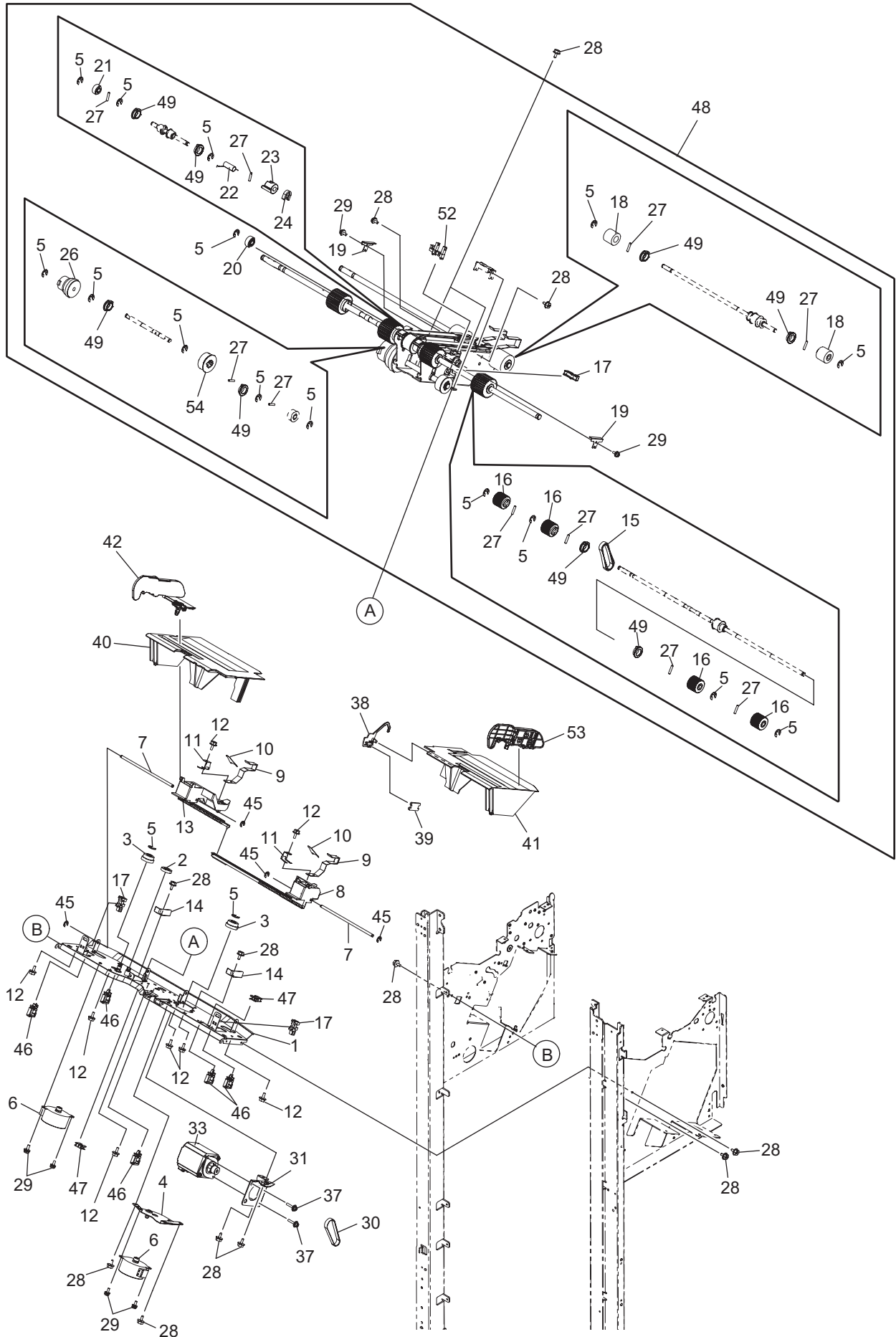
ITEM No.	PART No.	PART NAME	Q'TY / PAGE	Q'TY / PACK	REMARKS
1	6LB10822000	PLT-SD-PIVOT-D-BU-C	1	1/P	
2	X0-02419000	S/TPS/FHEXM/R-3X6-ZU3	6	10/P	
3	F0-00521000	SKB-1	2	5/P	
4	X0-01009000	P/SPW/AW-2X10-SS	1	10/P	
5	X0-00050000	S/PAN/SWWP-M3X5-NI	4	10/P	
6	X0-02247000	S/TPP/FHEXM-3X8-NI	4	10/P	
7	X0-02642000	S/TPP/FPAN-3X6-ZB3	4	10/P	
8	6LH53768000	BUSH-6-NU4	2	1/P	
10	X0-00966000	RR/E-5-SS	3	10/P	
11	X0-00980000	P/PRL/AH7-2X10-SS	1	10/P	
13	6LB40709000	ASYS-AST-ARM-PIT	1	1/KP	
17	6LK01603000	BRUSH-TRAY-R-BU-C	1	1/KP	
18	6LK01602000	BRUSH-TRAY-F-BU-C	1	1/KP	
19	6LB10831000	SPG-UPR2-BU-C	4	1/P	
20	6LB10830000	SPG-UPR1-BU-C	4	1/P	
21	6LB10810000	RLR-D20XL20-BU-C	4	1/P	
22	6LB40719000	PLT-CVR-UPPER-BU-PIT	1	1/P	
23	C0-14695000	GP2A230LRSAF	2	1/C	
24	6LB40510000	BRKT2-GP2A231LR-PIT2	1	1/P	
25	6LK01600000	CVR-UPPER-BU-C-2	1	1/PP	
26	6LB10909000	BRKT-FLPA-BU-C	1	1/P	
27	6LB39902000	SPG-FLP-BU-C-PIT3	1	1/P	
28	6LB40712000	ASYS-BRKT-SOL-FLP-PIT	1	1/P	
29	6LB40715000	ASYB-SOL-KN10SL-DC-FLAP	1	1/D	
30	6LB40705000	ASYS-SOL-LINK-BU-C-2-PIT	1	1/P	
31	6LB08608000	GEAR-FEED-LOW-6	1	1/P	
33	6LB10891000	FILM3-SUPT-TRAY-BU-C	1	1/C	
34	6LB10890000	FILM2-SUPT-TRAY-BU-C	2	1/C	
35	6LB10889000	FILM1-SUPT-TRAY-BU-C	1	1/C	
36	6LB10907100	TRAY-GUIDE-BU-C-F5330	1	1/PP	
37	6LH78707000	RLR-FEED-TRY-BU-C-RBT	1	1/KP	
38	6LB10816000	FRM-SIDE-F-BU-C	1	1/P	
39	6LB10842100	ASYS-FLAP-BU-C-F5330	1	1/D	
40	6LB40701000	BRKT-GP2A231LR-PIT	1	1/P	
41	6LB09947000	SPG-AST-ARM-BUF	2	1/P	
42	6LB10843000	SPG-BTM-BU-C	4	1/P	
43	6LB40700000	ARM-PAPER-PRESS-BUF-PIT	2	1/P	
44	6LB42751000	PIN-3X35-PIP	12	1/P	
45	6LB10899000	RLR-D15XL20-BU-C	4	1/P	
46	6LH79701000	ASYS-CVR-BOTTOM-BU-C-RBT	1	1/PP	
47	F0-01493000	DS-02S	1	5/P	
48	F0-00042000	UAMS-05S-2	1	5/P	
49	6LB40718000	PLT-EARTH-FEED-U	1	1/P	
50	6LB30113000	FILM-TRAY-GUIDE-R-PIT	1	1/C	
51	6LB30112000	FILM-TRAY-GUIDE-F-PIT	1	1/C	
52	6LB40720000	PLATE-EARTH-IN-PIT	1	1/P	
53	44201492000	BUSH-6-POM	2	5/P	
56	6LB10924000	RLR-EXIT-BU-C-GR-PLC	4	1/P	
57	6LB10836000	FRM-SIDE-R-BU-C	1	1/P	



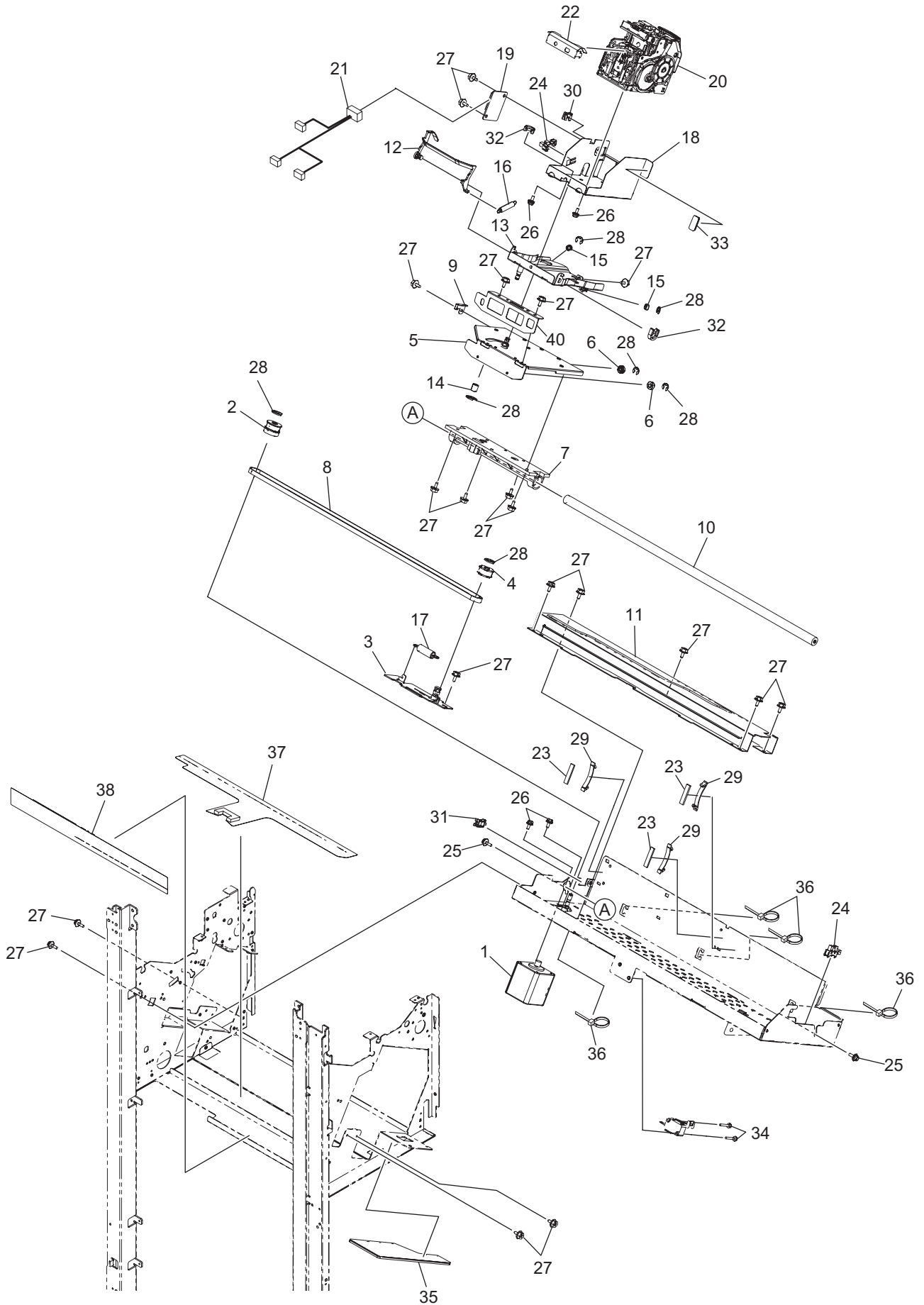
ITEM No.	PART No.	PART NAME	Q'TY / PAGE	Q'TY / PACK	REMARKS
1	6LB40908000	PLATE-SOL-BUF-PIT	1	1/P	
2	6LB40940000	DUMPER-BUF-F-PIT	1	1/P	
3	6LB40939000	DUMPER-BUF-R-PIT	1	1/P	
4	6LB40923100	BRKT-SOL-BUF-PIT2	1	1/P	
5	6LB09863000	ASYS-SOL-10-SL-BUF	1	1/D	
6	6LB08403000	SOL-10LSA-BUF	1	1/D	
7	X0-00050000	S/PAN/SWWP-M3X5-NI	6	10/P	
8	X0-01016000	P/SPW/AW-3X10-SS	1	10/P	
9	6LB09852000	DUMPER_SCREW	3	5/P	
10	6LB09805000	ARM-E-RLR-2-BUF	1	1/P	
11	6LB40921000	ASYS-BRKT-AST-ARM-PIT	1	1/P	
12	6LB40907000	CAM-SHAFT-BUF-PIT	1	1/P	
13	4401966400	PLY/T-2GT020-06	2	1/P	
14	6LK01401000	MOTR-S-PDL-ALIGN-2	1	1/C	
15	6LB40906000	GEAR-AST-ARM-PIT	1	1/P	
16	44201492000	BUSH-6-POM	2	5/P	
17	6LB09827000	BLT-136-2GT-4-BUF	1	1/P	
18	6LB09837000	SEESAW-ARM-BUF	1	1/P	
19	6LB09848000	SPG-SEESAW-ARM-BUF	2	1/P	
20	C0-10813000	GP1A73ARJ00F	2	1/P	
21	X0-02551000	S/PAN/SWWP-M3X6-ZU3	4	10/P	
22	X0-00965000	RR/E-4-SS	3	10/P	
23	6LB40924000	ASYS-HLDR-TRAY-BUF-PIT2	1	1/P	
24	6LH79901000	MOTR-EXT-RLR-BUF-RBT	1	1/C	
25	6LB10905000	DMPR-OWHF10-10NRS	1	1/D	
26	F0-01248000	ESC-0912	1	10/P	
27	X0-00059000	S/PAN/SWWS-M3X6-NI	2	10/P	
28	X0-02420000	S/TPS/FHEXM/R-3X8-ZU3	4	10/P	
29	6LB09897000	ASYS-HLDR-MOTR-BUF	1	1/P	
30	6LK01808000	ASYS-MOTR-TRAY-BUF-RBT-2	1	1/C	
33	F0-00042000	UAMS-05S-2	2	5/P	
34	F0-01715000	LWS-3S-V0	1	5/P	
35	6LB10906000	DMPR-OWHF10-10NLS	1	1/D	
36	F0-00199000	TSB-1909N	1	1/P	
37	6LB09824000	ASYS-PLT-TENSSION-BUF	1	1/P	
38	6LH79912000	SPG-TENSSION-BUF-RBT	1	1/P	
39	6LB12602000	HRNS-CPL	1	1/P	
40	F0-01810000	LWS-0511S-V0	7	5/P	
41	F0-01634000	3382330-30065	3	5/P	
42	X0-02595000	S/TPD3/FHEXM-3X12-ZU3	3	10/P	
43	X0-02419000	S/TPS/FHEXM/R-3X6-ZU3	17	10/P	
44	6LB40945000	PLATE-EARTH-EXIT-PIT	1	1/P	
45	6LB40944000	BRUSH-EXIT-PIT	1	1/KP	
46	F0-00257000	RSG-100	2	5/P	
48	6LB41724100	COV-BUF-HRNS-PIT-L	2	1/P	
50	6LB40933000	FELT-SOL-BUF-PIT	1	5/P	



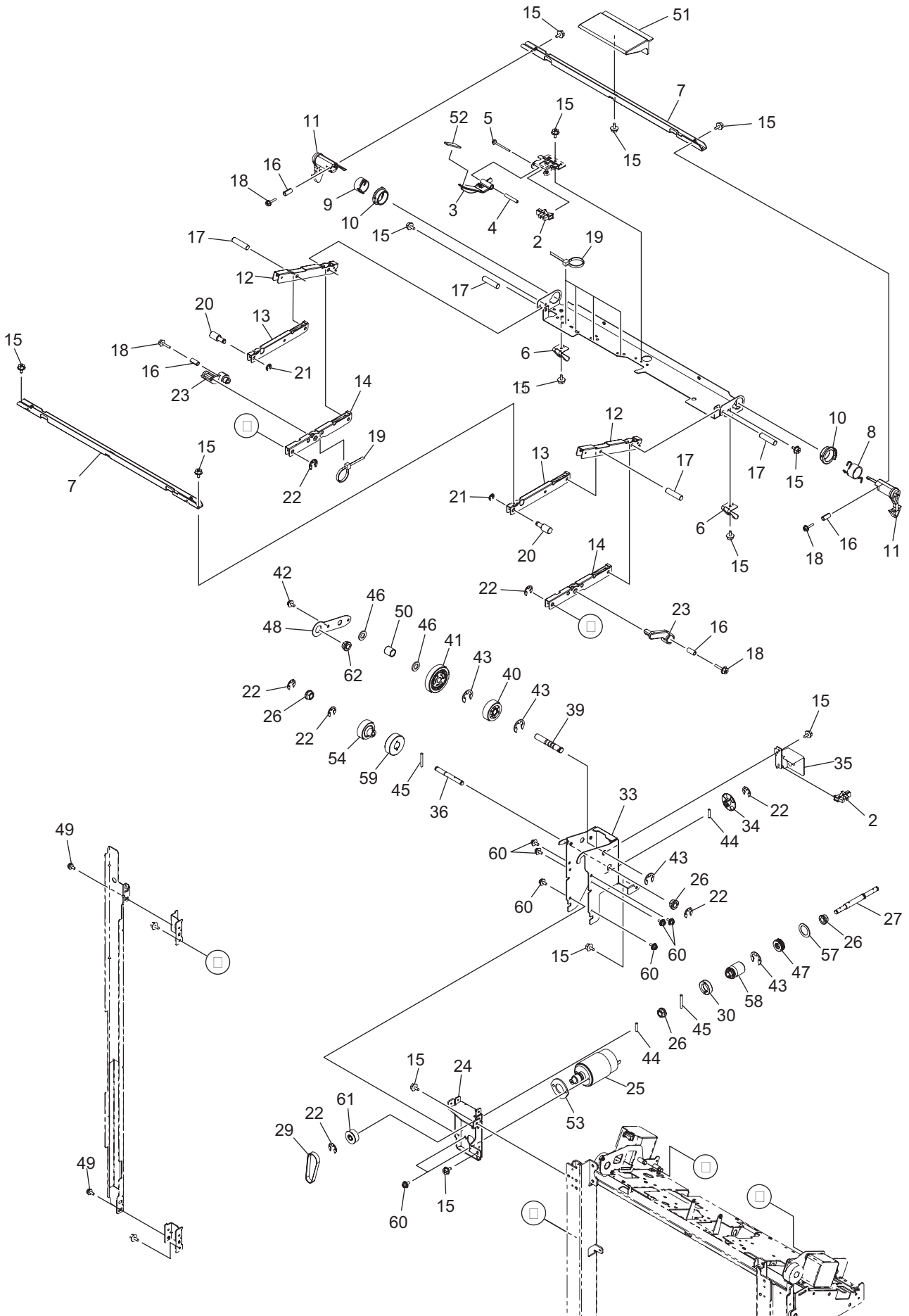
ITEM No.	PART No.	PART NAME	Q'TY / PAGE	Q'TY / PACK	REMARKS
2	6LB09806000	ARM-E-RLR-BUFFER	1	1/P	
3	6LB40930000	SFT-EXT-RLR-BUF-PIT	1	1/P	
5	6LH78706000	RLR-EXIT-BUFFER-PIT	1	1/KP	
6	6LH79916000	ASYS-DAMPER-LVR-F-RBT	1	1/C	
7	6LB08615000	GEAR1-EXT-RLR-BUF	1	1/P	
8	6LB09200000	BUSH-5-POM-BUF	1	5/P	
9	6LH53768000	BUSH-6-NU4	1	1/P	
10	6LB08614000	GEAR-IDLER-EXT-BUF	1	1/P	
11	6LB08616000	GEAR2-EXT-RLR-BUF	1	1/P	
12	6LB40932000	SFT-EXT-RLR-DRV-BUF-PIT	1	1/P	
13	6LB08609000	PULLY-S2M30-6-5	1	1/P	
14	X0-00980000	P/PRL/AH7-2X10-SS	3	10/P	
15	X0-00965000	RR/E-4-SS	11	10/P	
16	6LB09882000	STOP-RING-4	1	5/P	
17	6LB08617000	PLY-MOTOR	1	1/P	
18	6LB09887000	GLOMET-6X8X11	1	5/P	
19	6LH79909000	ASYS-DAMPER-LVR-R-RBT	1	1/C	
20	6LH79913000	ASYS-TRAY-BELT-BUF-RBT	1	1/KP	
22	6LB09836000	GUIDE-TRAY-UP	2	1/P	
23	6LB40914100	TRAY-F-BUF-PIT-F5330	1	1/PP	
24	6LB40915100	TRAY-R-BUF-PIT-F5330	1	1/PP	
25	6LB40901000	RLR-EXIT-TRAY-PIT	2	1/P	
26	6LB40929000	SFT-EXT-PINCH-RLR-BUF-PIT	2	1/P	
27	6LB40900000	BUSH-4X8X4.5XF10	4	1/P	
28	6LB09831000	CHIP-TRAY-SLIDE-BUF	4	5/P	
29	X0-00964000	RR/E-3-SS	5	10/P	
30	X0-00963000	RR/E-2-SS	4	10/P	
31	X0-02248000	S/TPP/FHEXM-3X10-NI	4	10/P	
32	6LB09838000	SFT-TRY-BUF	1	1/P	
33	6LB30110000	BLT-40S2M-122-BUF-PIT2	1	1/P	
34	6LB40910000	CVR-BUF-R-PIT	1	1/P	
35	6LB40953000	ARM-DROP-BUFFER-2	1	1/PP	
36	6LB09849000	SPG-ARM-BUF	1	1/P	
37	6LB09804000	SFT-DROP-AST-BUF	1	1/P	
38	6LB09884000	BRUSH-AST-ARM-BUF	1	1/C	
39	6LB09005000	SPG-EXT-BUF	2	1/P	
41	X0-02419000	S/TPS/FHEXM/R-3X6-ZU3	4	10/P	
42	6LB09888100	DAMPER-TRAY-SIDE	2	1/P	
44	6LB09864000	WASHER-4.3X10.6X0.075	4	5/KP	
45	6LH79921000	GUIDE-ROL-BUF-UR	1	1/P	
46	6LB40959000	WSHR-5R3X13XR5-POM	1	5/P	



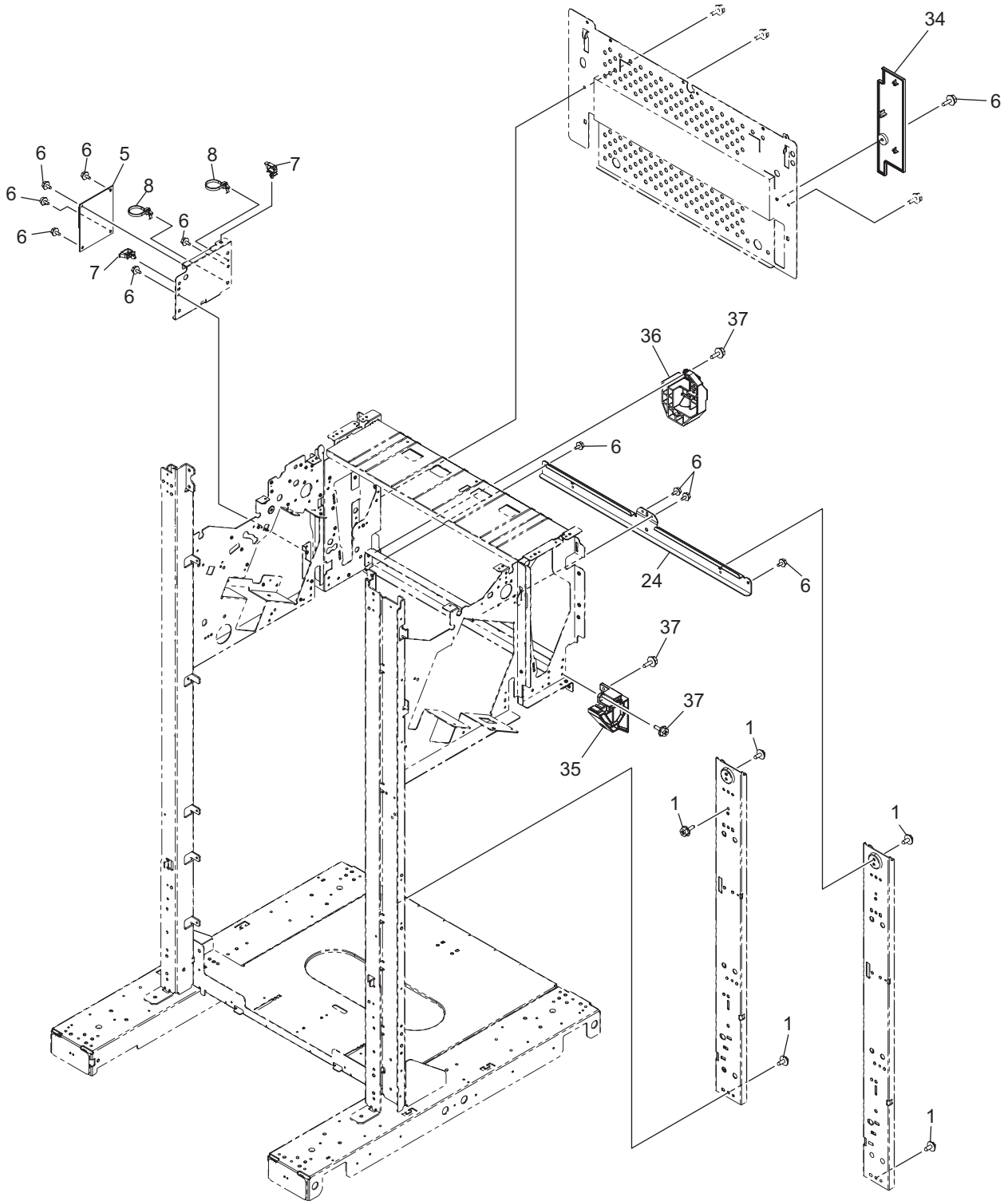
ITEM No.	PART No.	PART NAME	Q'TY / PAGE	Q'TY / PACK	REMARKS
1	6LB10226000	ASYS-BASE-BTM-PLATE	1	1/P	
2	6LB08600000	GEAR-10S16-6-SO	1	1/P	
3	6LB39505000	GEAR-5S40-10S16-6-PIT	2	1/P	
4	6LB10214000	ASYS-BRKT-MOTR-SO	1	1/P	
5	X0-00965000	RR/E-4-SS	17	10/P	
6	6LB08400000	MOTR-PM42-5S16-VI	2	1/C	
7	6LB10217000	SHAFT-GUIDE-P-SIDE	2	1/P	
8	6LB10208000	RACK-GUIDE-P-SIDE-FR	1	1/P	
9	6LB10207000	PLATE-STOP-RR-SIDE	2	1/P	
10	6LB10206000	MYLAR-P-PRESS-SO	2	1/KP	
11	6LB10222000	PLATE-EARTH-SO	2	1/C	
12	X0-02246000	S/TPP/FHEXM-3X6-NI	8	10/P	
13	6LB10209000	RACK-GUIDE-P-SIDE-RR	1	1/KP	
14	6LB41108000	PLATE-SLIDE-GUIDE	2	1/P	
15	6LB10615000	BLT-60S2M-134-SF	1	1/P	
16	6LB39706000	ASYS-RLR-SF-22R5	4	1/P	
17	C0-10813000	GP1A73ARJ00F	3	1/P	
18	6LB10609000	ASYS-RLR-SF	2	1/P	
19	6LK02001000	CVR-FRM-INSIDE-02	2	1/P	
20	6LA29413000	GEAR-10S16-6	1	1/P	
21	6LB08621000	GEAR-10S14-6-DV	1	1/P	
22	6LB09014000	SPG-SFFD-SUPT-SF	1	5/P	
23	6LB10625000	HLDR-SPG-SFAA	1	1/P	
24	6LE49743000	STOP-RING-6-5-POM	1	5/P	
26	6LB08406000	CLUCH-26G-6-10S30	1	1/D	
27	X0-00980000	P/PRL/AH7-2X10-SS	10	10/P	
28	X0-02419000	S/TPS/FHEXM/R-3X6-ZU3	13	10/P	
29	X0-00059000	S/PAN/SWWS-M3X6-NI	6	10/P	
30	6LB39510000	BLT-60S2M138-SF-PIT	1	1/P	
31	6LH80102000	BRKT-MOTR-SF-RBT	1	1/P	
33	6LH80101000	MOTR-HB42K4-S2M20-VI-RBT	1	1/C	
37	X0-02551000	S/PAN/SWWP-M3X6-ZU3	2	10/P	
38	6LB10201000	ACTR-P-SNSR-SO	1	1/P	
39	6LB10216000	PLATE-P-SNSR-SO	1	1/P	
40	6LH80128000	ASYS-TABLE-F-PR-TRAY-RBT	1	1/PP	
41	6LH80129000	ASYS-TABLE-R-PR-TRAY-RBT	1	1/PP	
42	6LH80151000	ASYB-PLT-JOG-R-PR-TRAY	1	1/D	
44	6LH80141000	PLT-JOG-F-PR-TRAY	1	1/P	
45	X0-00964000	RR/E-3-SS	4	10/P	
46	F0-01810000	LWS-0511S-V0	5	5/P	
47	F0-01493000	DS-02S	2	5/P	
48	6LK02003000	ASYB-SHEAF-FEED-RBT-2	1	1/C	
49	PVB45-00701	CAM METAL	8	1/P	
52	C0-15544000	LG285D1	1	1/P	
53	6LH80150000	ASYB-PLT-JOG-F-PR-TRAY	1	1/D	
54	6LB08624000	PULLY-S2M30-6-SF	1	1/P	
103	X0-00077000	S/PAN/SWWP-M3X8-NI	2	10/P	

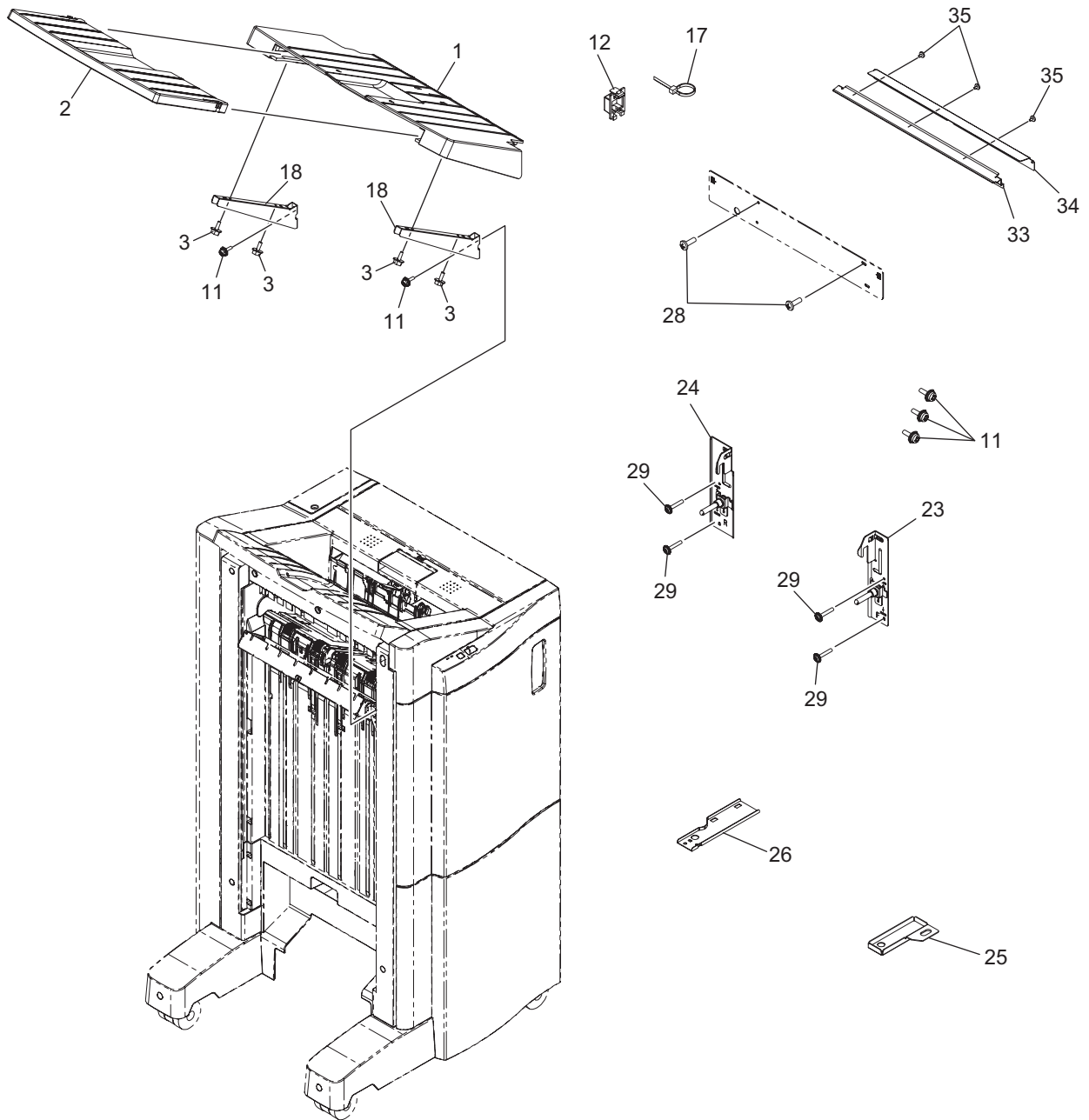


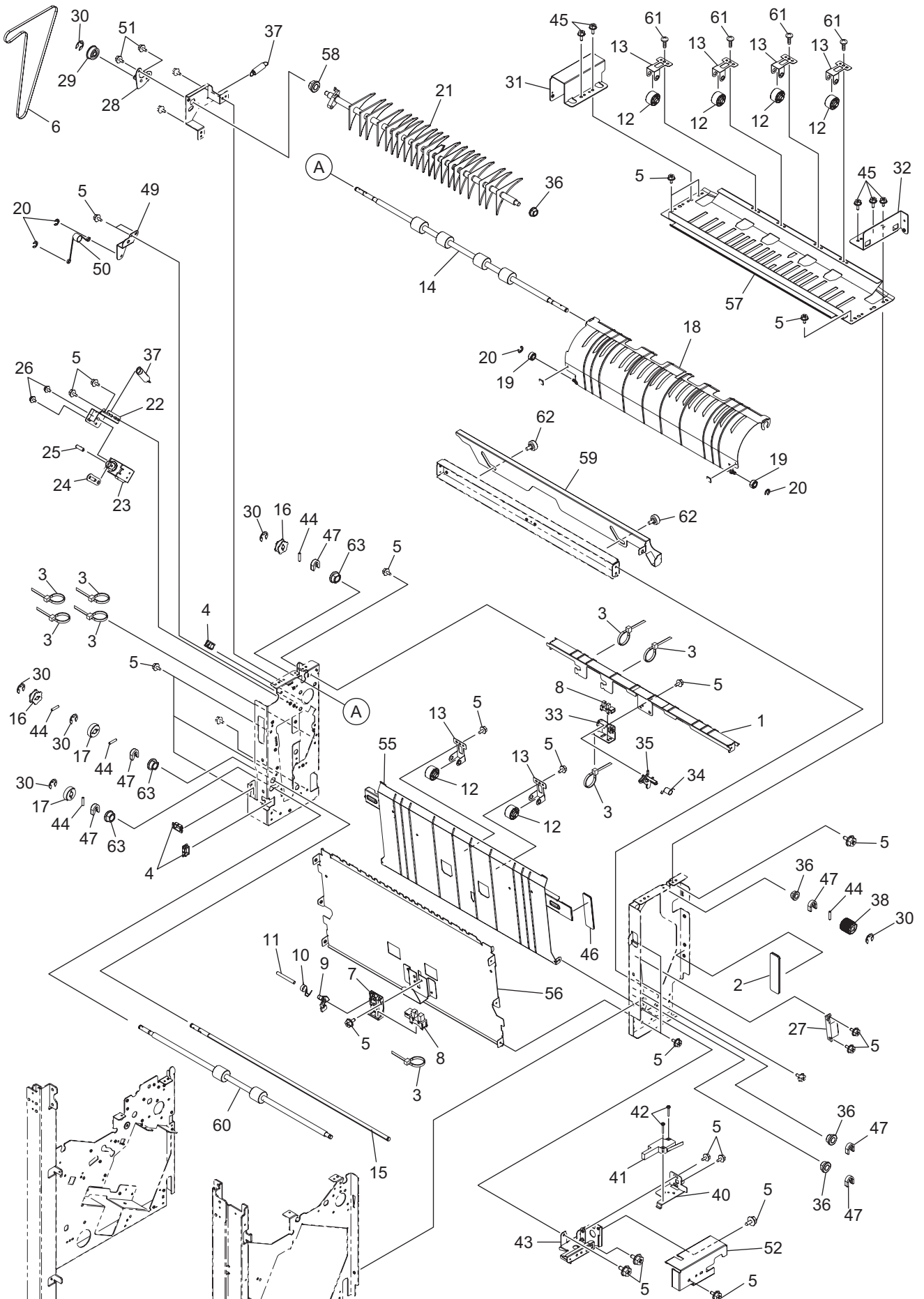
ITEM No.	PART No.	PART NAME	Q'TY / PAGE	Q'TY / PACK	REMARKS
1	6LB08418000	MOTR-HB42-5S15-SP	1	1/C	
2	6LB08620000	PLY-S3M20-GEAR-5S40	1	1/P	
3	6LB10460000	ASYS-PLT-PLY-STPL	1	1/P	
4	6LB08619000	PLY-CARR-STPL	1	1/P	
5	6LH80307000	ASYS-CARR-STPL-2	1	1/P	
6	6LB08804000	RLR-CARR-STPL	2	1/P	
7	6LB10450000	ASYS-S-CARRIER	1	1/P	
8	6LB10401000	BLT-60S3M-900-SP	1	1/P	
9	6LB10431000	PLATE-EARTH-STPL	1	1/P	
10	6LB10402000	SHAFT-CARR-STPL	1	1/P	
11	6LB10403000	PLATE-TURN-RAIL	1	1/P	
12	6LB10425000	ACTR-STPL	1	1/C	
13	6LB10420000	ASYS-BASE-STPL	1	1/P	
14	6LB08806000	RLR-SLIDE-STPL	1	1/P	
15	6LB08805000	RLR-BASE-STPL	2	1/P	
16	6LB09011000	SPG-ACRT-STPL	1	1/P	
17	6LB09006000	SPG-CARR-STPL	1	1/P	
18	6LB10412000	PLATE-TURN-STPL	1	1/P	
19	6LB12404000	PWA-SPR-101	1	1/C	
20	6LH79102000	STAPLE_EH-C590T2	1	1/C	
21	6LB12424000	HRNS-SPRCAR	1	1/P	
22	6LB10413000	PLATE-GID-HOLD-ARM	1	1/C	
23	6LB10404000	RUBR-STPL	3	5/P	
24	C0-10813000	GP1A73ARJ00F	2	1/P	
25	X0-00077000	S/PAN/SWWP-M3X8-NI	2	10/P	
26	X0-00059000	S/PAN/SWWS-M3X6-NI	4	10/P	
27	X0-02419000	S/TPS/FHEXM/R-3X6-ZU3	20	10/P	
28	X0-00964000	RR/E-3-SS	7	10/P	
29	F0-01286000	FCR-30	3	5/P	
30	F0-01493000	DS-02S	1	5/P	
31	F0-01248000	ESC-0912	1	10/P	
32	6LE49743000	STOP-RING-6-5-POM	2	5/P	
33	6LH83031000	LABEL-GREEN-1	1	5/P	
34	X0-02060000	S/TPS/PAN-3X16-ZU3	2	10/P	
35	6LB10480000	SHEET-FRM-FRT-ALIGN	1	1/KP	
36	F0-00521000	SKB-1	4	5/P	
37	6LB28468000	ASYS-MYLER-SPONGE-TOP-SDL	1	1/KP	
38	6LB30031000	GUID-MYLER-TOP-SDL	1	1/KP	
40	6LH80305000	PLT-GUIDE-SUPPT-SW-STAPLE	1	1/P	



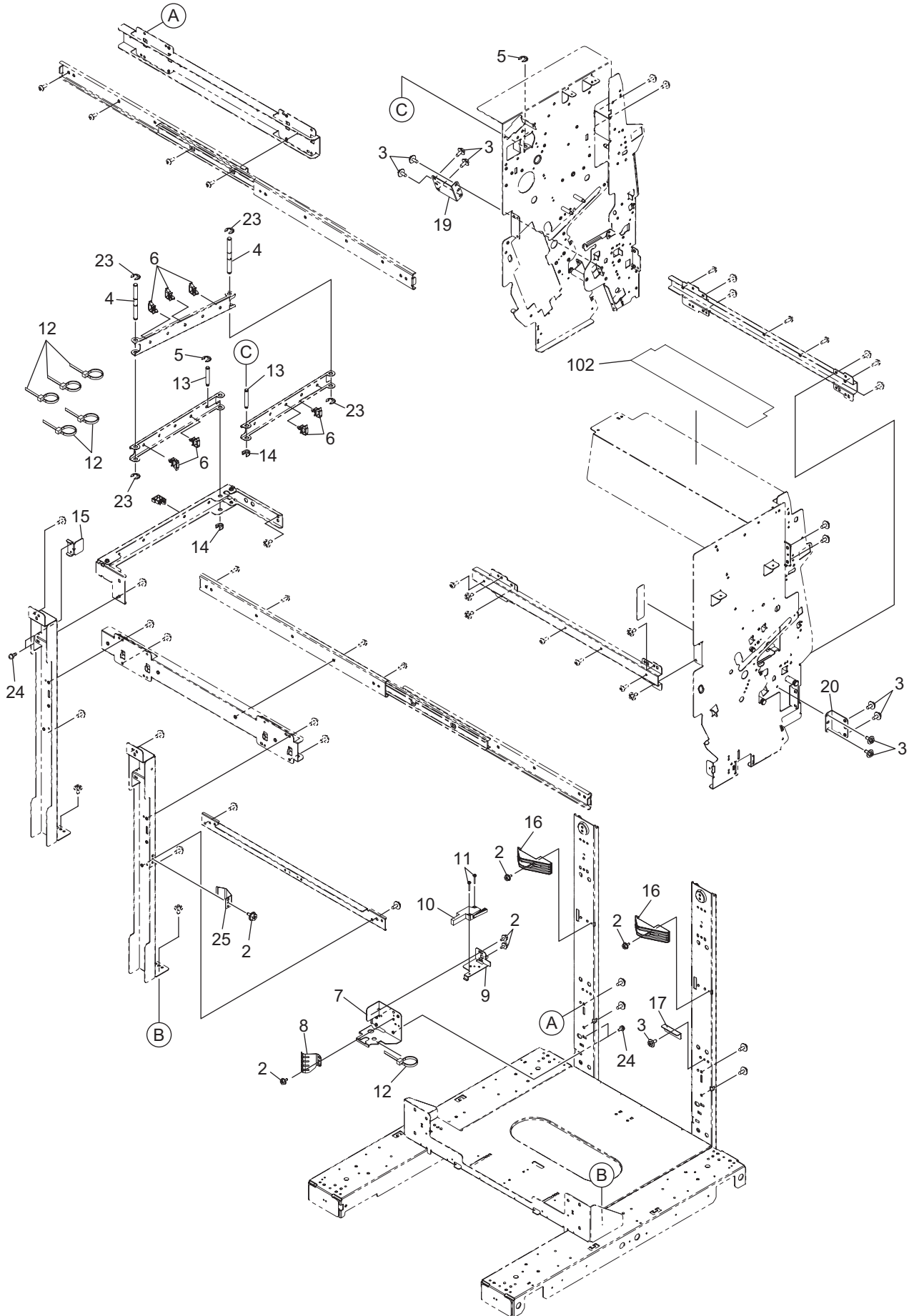
ITEM No.	PART No.	PART NAME	Q'TY / PAGE	Q'TY / PACK	REMARKS
2	C0-10813000	GP1A73ARJ00F	2	1/P	
3	6LB10801000	ACT-TRAY-BU-C	1	1/P	
4	F0-01485000	3382330-30250	1	5/P	
5	X0-02098000	S/PAN/SWWP-M3X30-NI	1	10/P	
6	6LB10850000	PLT-SPG-TRAY-CH-BU-C	2	1/P	
7	6LB10820000	LVR-PLT-SFT-BU-C	2	1/P	
8	6LB10828000	SPG-LVR-OPN-F-BU-C	1	1/P	
9	6LB10829000	SPG-LVR-OPN-R-BU-C	1	1/P	
10	6LB10802000	BUSH-LEVER-BU-C	2	5/P	
11	6LB10805000	LEVER-BU-C	2	1/P	
12	6LB10821000	PLATE-LINK-BU-C	2	1/P	
13	6LB41914000	LINK-TRAY-PIT-BU-C	2	1/P	
14	6LB10819000	LINK-TRAY-BU-C	2	1/P	
15	X0-02419000	S/TPS/FHEXM/R-3X6-ZU3	14	10/P	
16	F0-01484000	3382330-30090	4	5/P	
17	6LB12140000	PIN-5X20	4	1/P	
18	X0-02595000	S/TPD3/FHEXM-3X12-ZU3	4	10/P	
19	F0-00521000	SKB-1	5	5/P	
20	6LB10832000	SD-PIVOT-D-BU-C	2	1/P	
21	X0-00964000	RR/E-3-SS	2	10/P	
22	X0-00966000	RR/E-5-SS	7	10/P	
23	6LB10807000	LINK-COV-BTM-BU-C	2	1/P	
24	6LH80510000	STAY-BOX-GEAR-RBT	1	1/P	
25	6LH80509000	ASYS-DRV-MOTR-TRAY-RBT	1	1/C	
26	6LH53768000	BUSH-6-NU4	4	1/P	
27	6LB41524000	SHAFT-WORM-GEAR-PIT	1	1/P	
29	6LB39508000	BLT-60S2M130-PIT	1	1/P	
30	6LB41510000	CAP-WORM-PIT	1	1/P	
33	6LH80505000	BOX-GEAR-DRV-RBT	1	1/P	
34	6LB41509000	DISC-SNSR-TD-PIT	1	1/P	
35	6LB41508000	BOX-SNSR-DISC-TD-PIT	1	1/P	
36	6LB41525000	SHAFT-WORM-WHL-PIT	1	1/P	
39	6LB41523000	SHAFT-IDL-DRV-TRAY-PIT	1	1/P	
40	6LB39502000	GEAR-12R5S23-8-PIT	1	1/P	
41	6LB39500000	GEAR-12R5S33-8-PIT	1	1/P	
42	X0-02551000	S/PAN/SWWP-M3X6-ZU3	1	10/P	
43	X0-00968000	RR/E-7-SS	4	10/P	
44	X0-00980000	P/PRL/AH7-2X10-SS	2	10/P	
45	X0-01533000	P/PRL/AH7-2X16-SS	2	10/P	
46	X0-02351000	W/PL/SJ0-8-NI	2	5/P	
47	F0-01972000	CRT6-12-GV22	1	1/P	
48	6LB41507000	PLATE-BOX-G-R-PIT	1	1/P	
50	6LB39901000	SPG-DRV-TRAY-PIT	1	1/P	
51	6LB10806600	LEVER-TRAY-BU-C-LGFW	1	1/P	
52	6LB30114100	DAMPER-TRAY-BU-C-PIT	1	1/P	
53	6LH80507100	DAMPER-GEAR-BOX-TRAY-RBT	1	1/P	
54	6LB11024000	GEAR-12R5S21-6-TRAY	1	1/P	
56	6LB08624000	PULLY-S2M30-6-SF	1	1/P	
57	6LB11071000	RUBB-SPCR-TRAY	1	5/P	
58	6LB11037100	WORM-GEAR-TRAY2	1	1/P	
59	6LH80516000	WORM-WHEEL-10-6-TRAY	1	1/P	
60	X0-00077000	S/PAN/SWWP-M3X8-NI	8	10/P	
61	6LJ87000000	PULLY-METAL-S2M30-6-SF	1	1/P	
62	4400802080	BUSH-8	1	5/P	

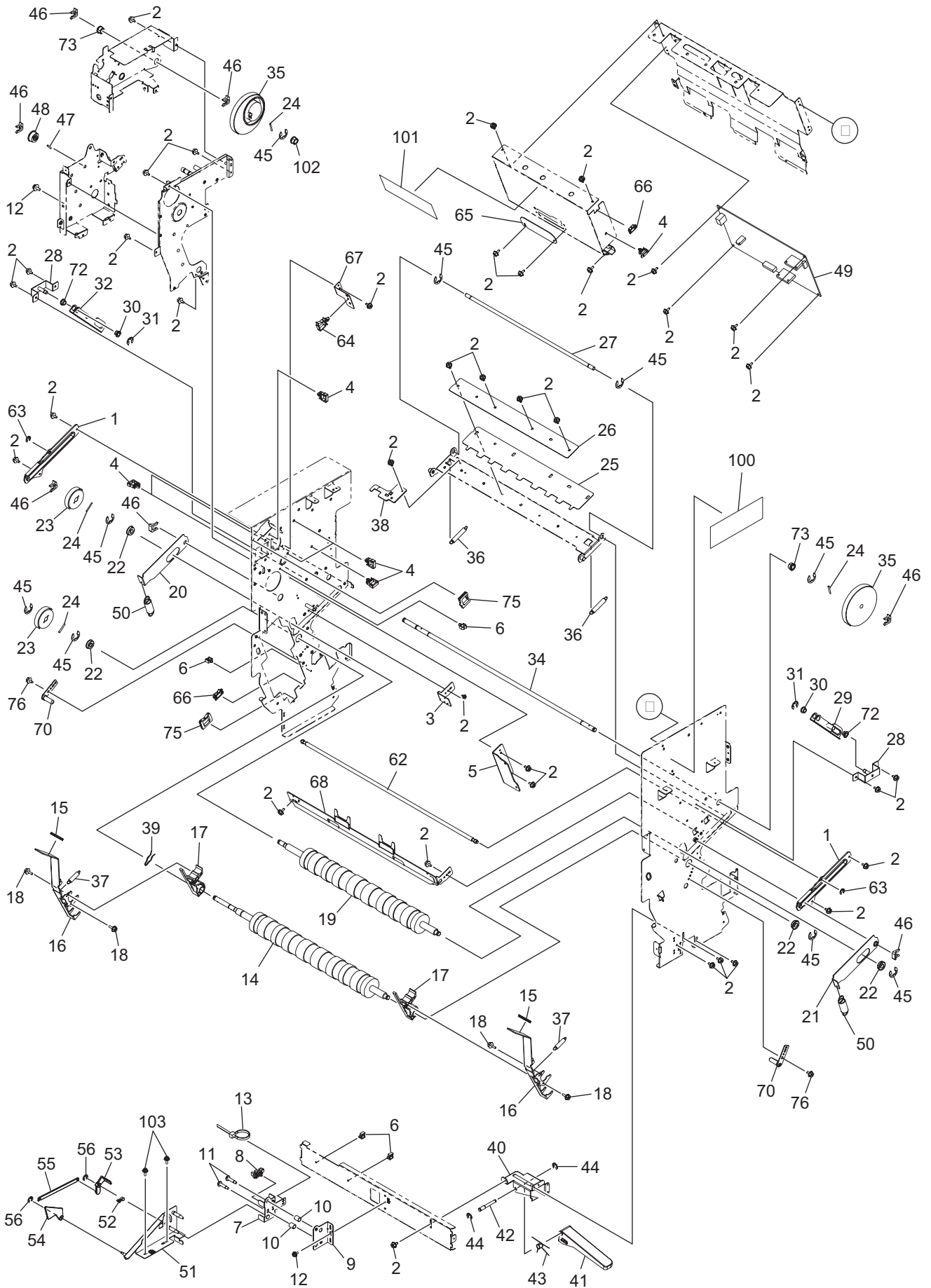




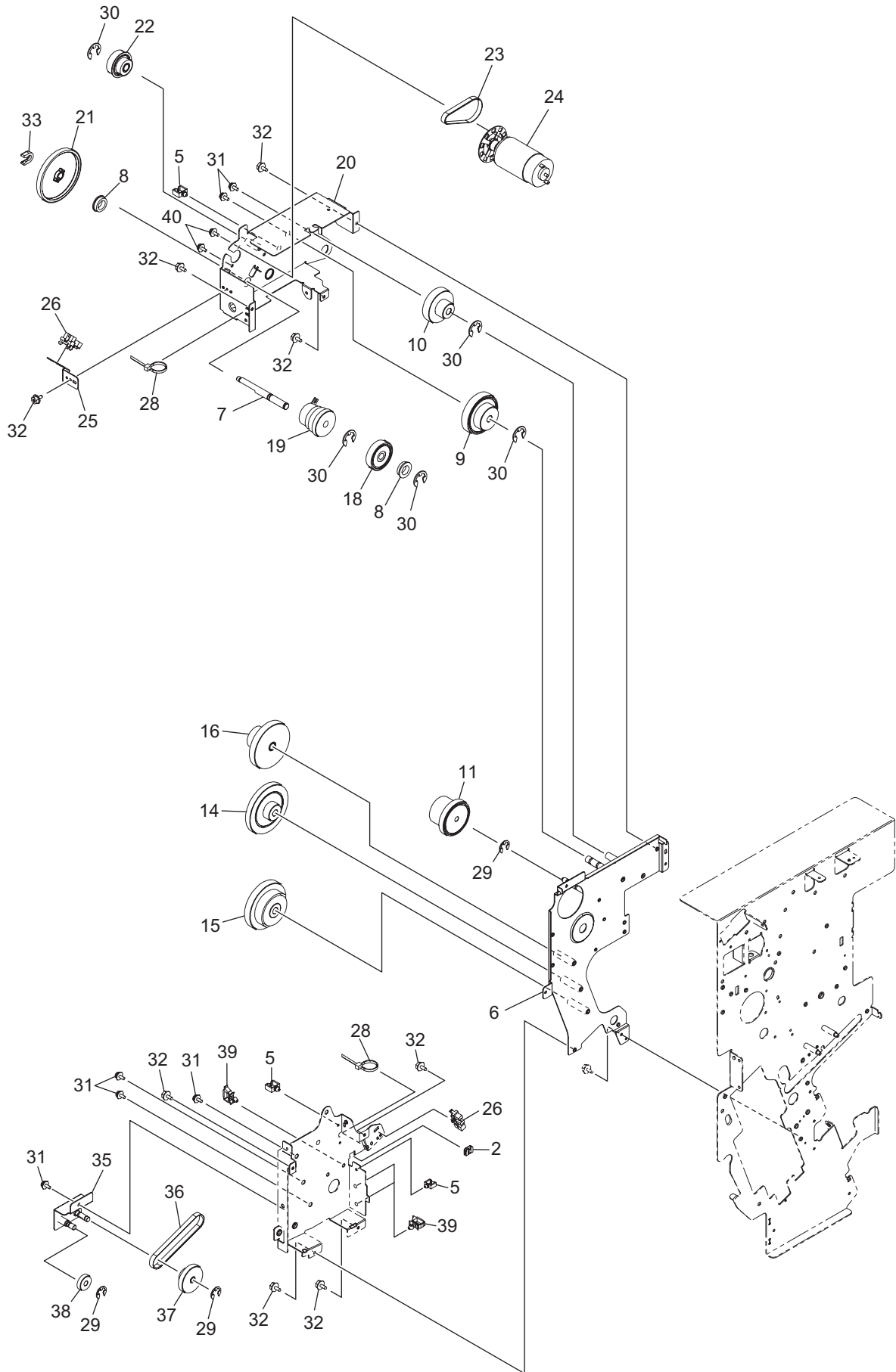


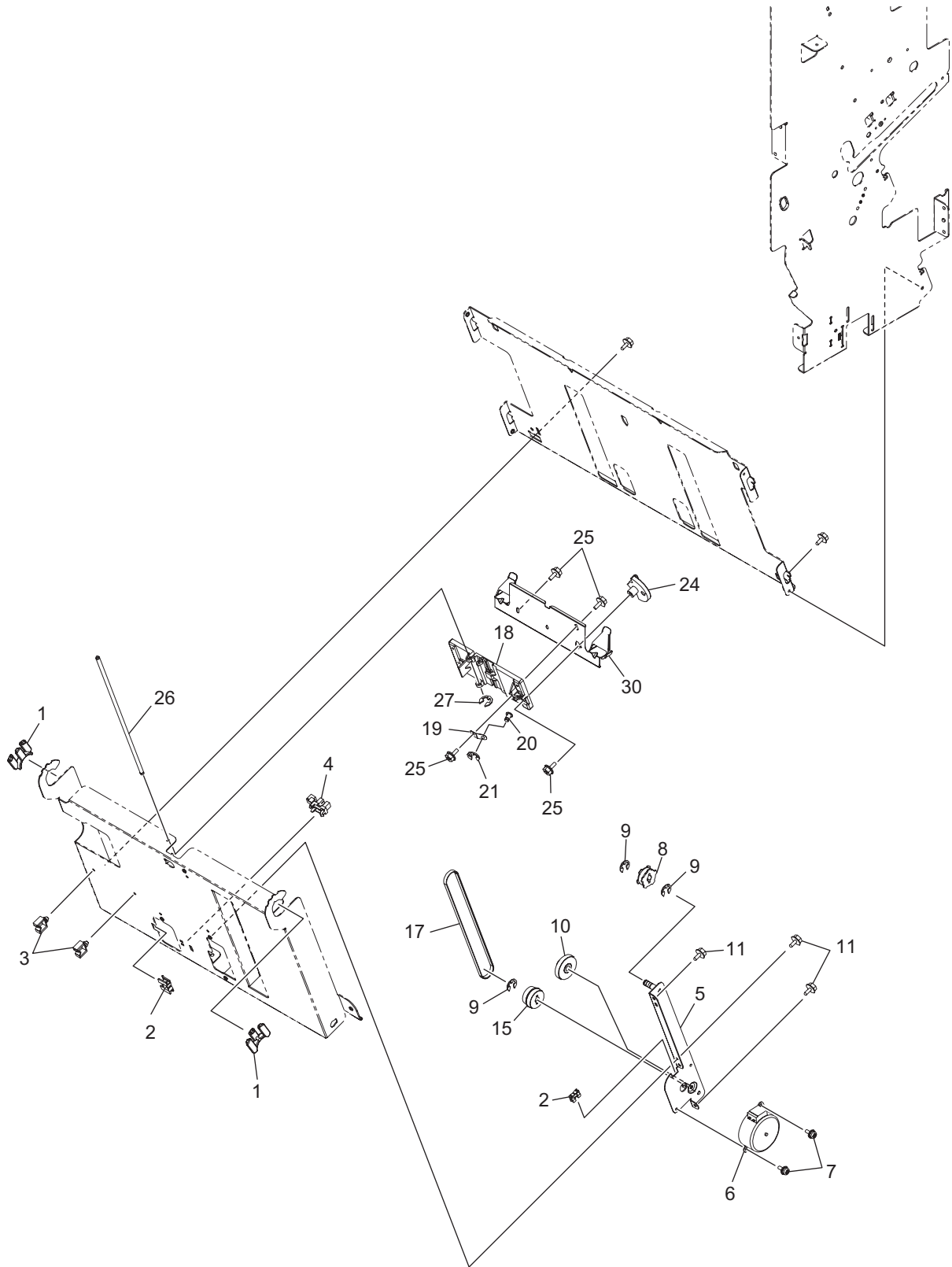
ITEM No.	PART No.	PART NAME	Q'TY / PAGE	Q'TY / PACK	REMARKS
1	6LH81309000	GUIDE-JCT-IN-L-RBT	1	1/P	
2	6LB42537000	SHEET-FRM-JCT-PIT	1	1/P	
3	F0-00521000	SKB-1	8	5/P	
4	F0-01248000	ESC-0912	3	10/P	
5	X0-02419000	S/TPS/FHEXM/R-3X6-ZU3	27	10/P	
6	6LB42527000	BLT-40S2M-520-JCT-PIT	1	1/P	
7	6LB10808000	PLT-SEN-A-BU-C	1	1/P	
8	C0-10813000	GP1A73ARJ00F	2	1/P	
9	6LB42542000	ACT-SENS-PIT	1	1/P	
10	6LB10824000	SPG-AC-BU-C	1	1/C	
11	X0-02380000	P/PRL/AH7-3X25-SS	1	10/P	
12	6LB29933000	RLR-D20XL11-SDL	6	1/P	
13	6LB42510000	PLATE-RLR-JB-PIT	6	1/P	
14	6LH78711000	RLR-FEED-1-JBP-RBT	1	1/KP	
15	6LB42526000	SHAFT-IDLE-JCT-PIT	1	1/P	
16	6LB08609000	PULLY-S2M30-6-5	2	1/P	
17	6LB08608000	GEAR-FEED-LOW-6	2	1/P	
18	6LB42521000	ASYS-GUIDE-F3-JB-PIT	1	1/KP	
19	6LB08805000	RLR-BASE-STPL	2	1/P	
20	X0-00964000	RR/E-3-SS	4	10/P	
21	6LB42524100	FLAP-JBP-PIT-F5330	1	1/KP	
22	6LB10893000	ASYS-BRKT-SOL-FLP-BU-C	1	1/P	
23	6LB08401000	SOL-10-SL-BUF	1	1/D	
24	6LB10846000	ASYS-SOL-LINK-BU-C	1	1/P	
25	X0-01016000	P/SPW/AW-3X10-SS	1	10/P	
26	X0-00050000	S/PAN/SWWP-M3X5-NI	2	10/P	
27	F0-01393000	CA-0124B	1	1/P	
28	6LB42515000	ASYS-TENS-JBP-PIT	1	1/P	
29	6LB08610000	PULLY-TEN-S2M30-6-5	1	1/P	
30	X0-00966000	RR/E-5-SS	6	10/P	
31	6LB42126000	BRKT-TOP-P-R	1	1/P	
32	6LB42127000	BRKT-TOP-P	1	1/P	
33	6LB10007000	BRKT-SNSR-RLR-1	1	1/P	
34	6LB09015000	SPG-FEED-SNSR-1	1	1/P	
35	6LB09602000	ACTR-SNSR-RLR-1	1	1/C	
36	44201492000	BUSH-6-POM	4	5/P	
37	6LB10826000	SPG-FLP-BU-C	2	1/P	
38	6LB42518100	KNOB-PIT2	1	1/P	
40	6LB11233000	PLT-TURN-SNSR	1	1/P	
41	E0-09409000	AM51632C731N	1	1/D	
42	X0-02060000	S/TPS/PAN-3X16-ZU3	2	10/P	
43	6LB11241000	BRKT-DOOR-SNSR	1	1/P	
44	X0-00980000	P/PRL/AH7-2X10-SS	5	10/P	
45	X0-02420000	S/TPS/FHEXM/R-3X8-ZU3	7	10/P	
46	6LH83033000	LABEL-GREEN-RBT	1	1/P	
47	6LE49743000	STOP-RING-6-5-POM	6	5/P	
49	6LB42555000	ASYS-HLD-SPG-FRM-PIT	1	1/P	
50	6LB42557000	SPG-CLOSE-JBP-RER	1	1/P	
51	X0-02551000	S/PAN/SWWP-M3X6-ZU3	2	10/P	
52	6LB42551000	PLT-F-SNSR-PIT	1	1/P	
55	6LH81320000	ASYS-GUIDE-F4-JB-RBT	1	1/D	
56	6LH81321000	ASYS-GUIDE-F5-JB-RBT	1	1/P	
57	6LJ87800000	ASYS-GUIDE-JCT-IN-U-RBT-2	1	1/D	
58	6LH53768000	BUSH-6-NU4	1	1/P	
59	6LH81313000	LEVER-LOCK-RBT	1	1/P	
60	6LH78712000	RLR-FEED-1-JBP-RBT2	1	1/KP	
61	X0-00426000	S/BID-M3X4-NI	4	10/P	
62	6LB09432000	SCREW-LEVER-M3_6	2	1/P	
63	6LE49739000	BUSH-6X10X6F-SBK	3	5/P	

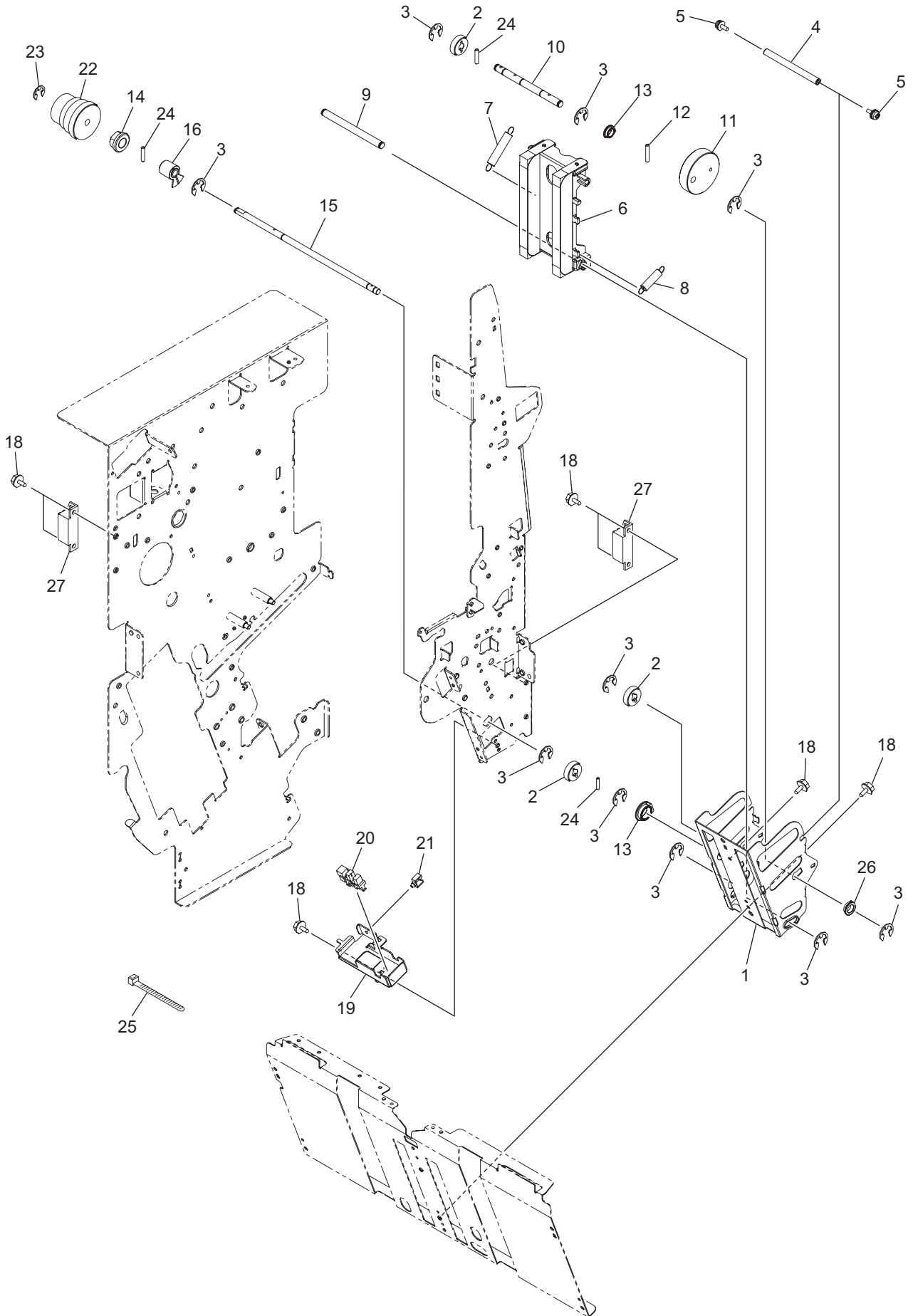


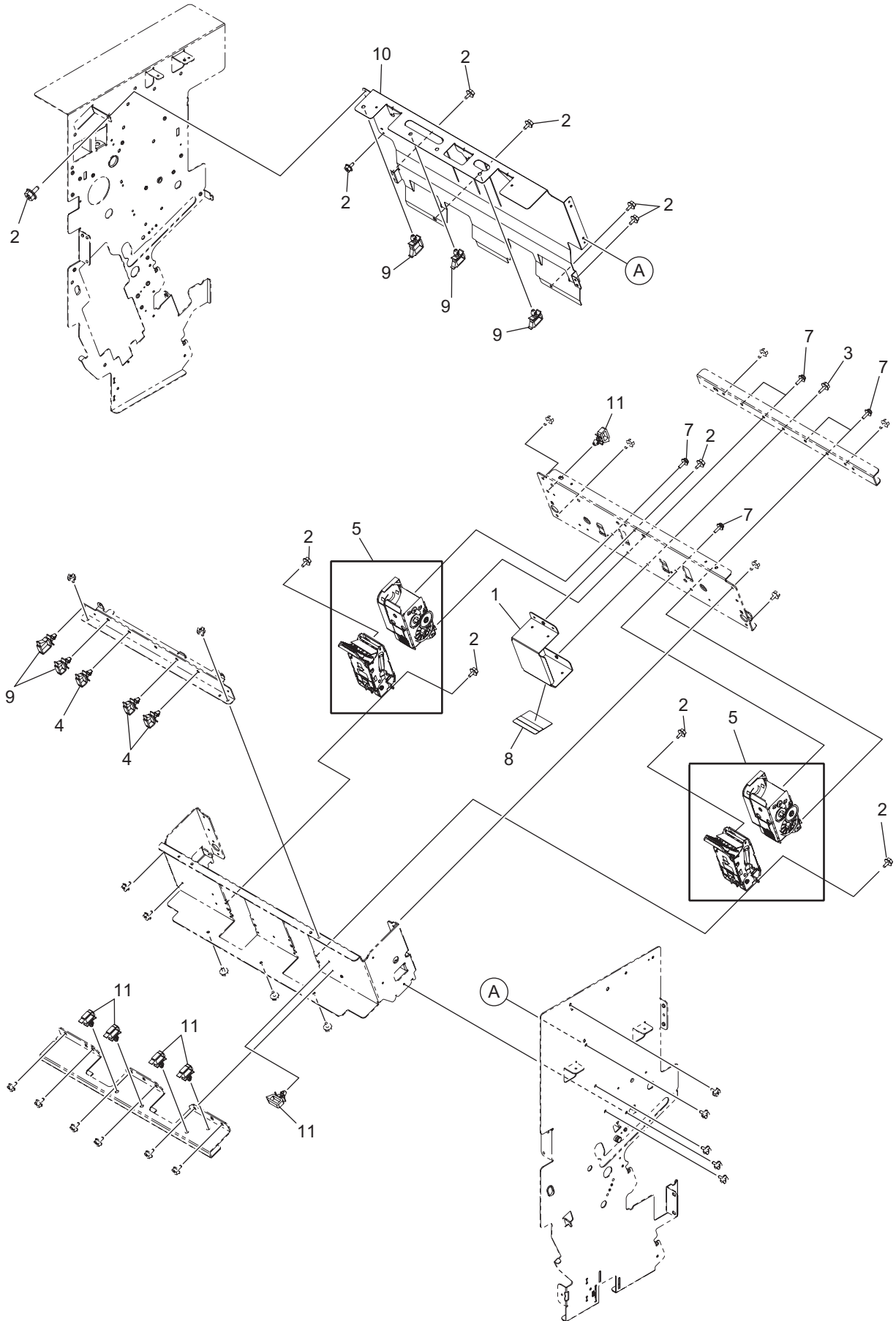


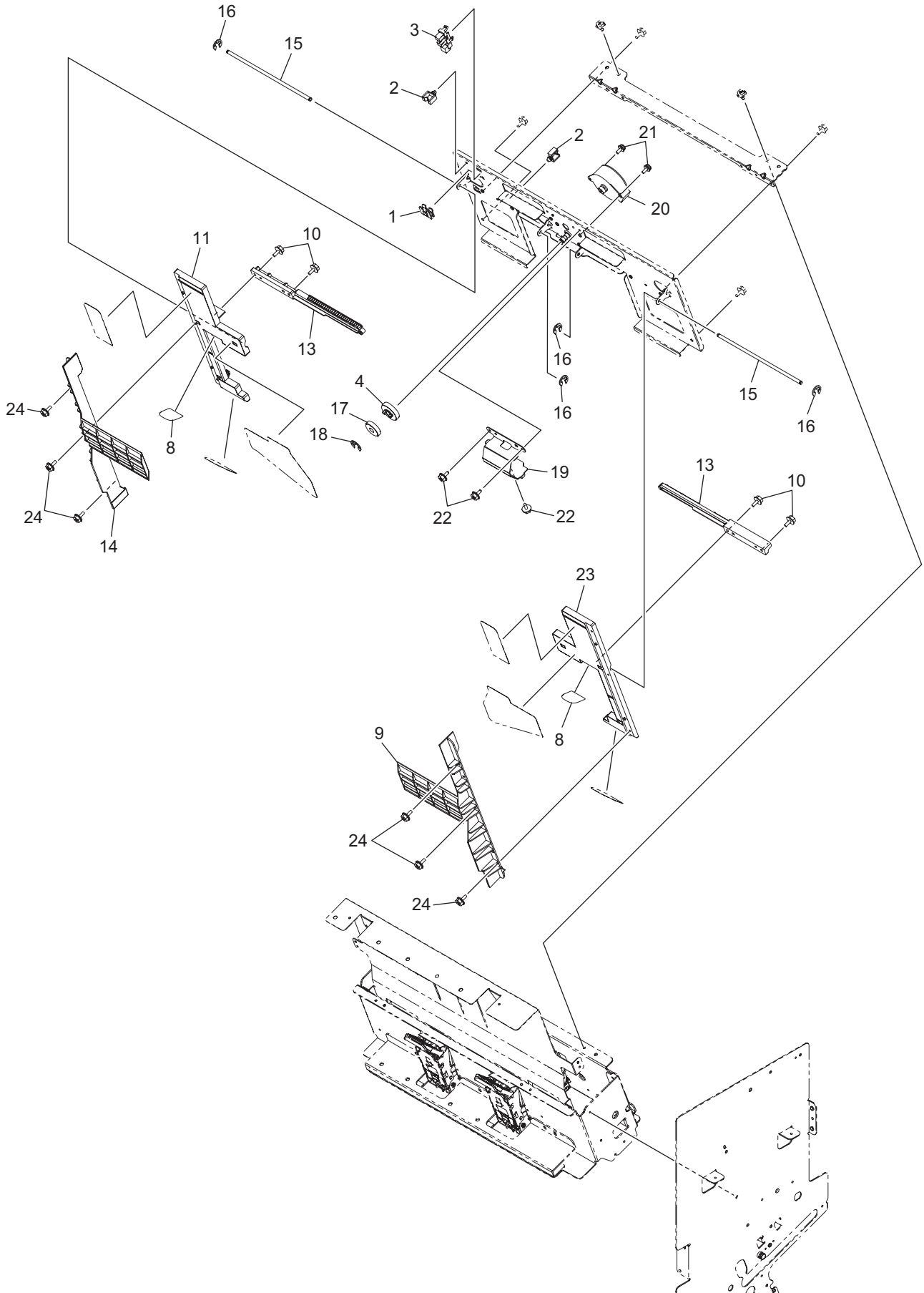
ITEM No.	PART No.	PART NAME	Q'TY / PAGE	Q'TY / PACK	REMARKS
1	6LB29917000	RAIL-BLADE-FD-R	2	1/P	
2	X0-02419000	S/TPS/FHEXM/R-3X6-ZU3	41	10/P	
3	6LB29901000	BRKT8-PLT-FOLD-SDL	1	1/P	
4	F0-01810000	LWS-0511S-V0	7	5/P	
5	6LB29603000	BLKT-STAPLE-MOUNT-SDL	1	1/P	
6	F0-00042000	UAMS-05S-2	4	5/P	
7	6LB30202000	PLT-SEN-SLIDE-SDL	1	1/P	
8	C0-11250000	LG248NL1	1	1/P	
9	6LB30203000	BRKT-SEN-STAY-SDL	1	1/P	
10	6LB30204000	SPG-ACTR-SLIDE-SDL	2	1/P	
11	4406343540	SCREW-SOCKET	2	1/P	
12	X0-02551000	S/PAN/SWWP-M3X6-ZU3	2	10/P	
13	F0-00521000	SKB-1	1	5/P	
14	6LH82124000	RLR-FOLD-MAIN-RBT-2	1	1/KP	
15	6LH83029000	LABEL-GREEN-2-SDL	2	1/P	
16	6LB29911000	ARM3-FOLD-ROL-SDL	2	1/P	
17	6LB29916000	LINK1-FOLD-ROL-SDL	2	1/P	
18	X0-02247000	S/TPP/FHEXM-3X8-NI	4	10/P	
19	6LH82125000	RLR-FOLD-UPR-RBT	1	1/KP	
20	6LB29903000	PLT1-FOLD-RER-SDL	1	1/P	
21	6LB29902000	PLT1-FOLD-FRT-SDL	1	1/P	
22	F0-01390000	LNR-1680HHRP0P15LY13	4	1/P	
23	6LB29927000	GEAR-25S16-8-SDL	2	1/P	
24	X0-01533000	P/PRL/AH7-2X16-SS	4	10/P	
25	6LH82123000	PLATE-BLADE-RBT	1	1/KP	
26	6LB29912000	PLATE-COV-BLADE	1	1/KP	
27	6LB30013000	SHAFT-BLADE-FOLD	1	1/P	
28	6LB29977000	ASYS-BRACKET5-SDL	2	1/P	
29	6LB29978000	ASYS-LINK-FOLD-FR-SDL	1	1/P	
30	6LH53768000	BUSH-6-NU4	2	1/P	
31	X0-00966000	RR/E-5-SS	2	10/P	
32	6LB29979000	ASYS-LINK-FOLD-RR-SDL	1	1/P	
34	6LB30041000	SHAFT-BLADE-CAM	1	1/P	
35	6LB29930000	CAM-BLADE-SDL	2	1/P	
36	6LB30044000	SPG-E-7R6XR6X42R-SDL2	2	1/P	
37	6LB12051000	SPG-HRG-P	2	1/P	
38	6LB29919100	PLT5-FOLD-SENS-SDL-L	1	1/P	
39	FGF-0003001	PIN ROUND HEAD EJECTOR	1	1/P	
40	6LB28416000	PLT-UNIT-SUPT-SDL	1	1/P	
41	6LB28426000	BRKT-UNIT-SUPT-SDL	1	1/P	
42	6LB28445000	SFT-UNIT-SUPT-SDL	1	1/P	
43	6LB28428000	SPG-UNIT-SUPT-SDL	1	1/P	
44	X0-00965000	RR/E-4-SS	2	10/P	
45	X0-00968000	RR/E-7-SS	9	10/P	
46	41306265000	STOP RING	7	1/P	
47	X0-01526000	P/PRL/AH7-2X12-SS	1	10/P	
48	6LB30234000	PULLY-S3M20-Y01-SDL	1	1/P	
49	6LJ89954000	ASY-SDL-574	1	1/SB	
50	6LB30043000	SPG-E-14X1R6X45R6R-SDL1	2	1/P	
51	6LB30227000	ASYS-ACTR-TRAY-SDL	1	1/P	
52	6LB30226000	SPG-TRAY-SEN-Y01-SDL	1	1/P	
53	6LB30223000	ACTR-TRAY-LINK-SDL	1	1/P	
54	6LB30224000	ACTR-EXT-TRAY-Y01-SDL	1	1/P	
55	6LB30225100	ARM-ACTR-TRAY-SDL-L	1	1/P	
56	X0-00963000	RR/E-2-SS	2	10/P	
62	6LB30082000	SFT-BARR-PLT-BLADE-SDL	1	1/P	
63	X0-00964000	RR/E-3-SS	2	10/P	
64	F0-01812000	LWS-1211S-V0	1	5/P	
65	6LB29623000	CVR-MAIN-PCB-SDL-1	1	1/P	
66	F0-01248000	ESC-0912	2	10/P	
67	6LB29604000	BRKT-GUIDE-STAPLE-SDL	1	1/P	
68	6LB30054000	ASYS-PLT-FOLD-RLR-SDL	1	1/KP	
70	6LB29980000	ASYS-BRKT-PJ-SDL	2	1/P	

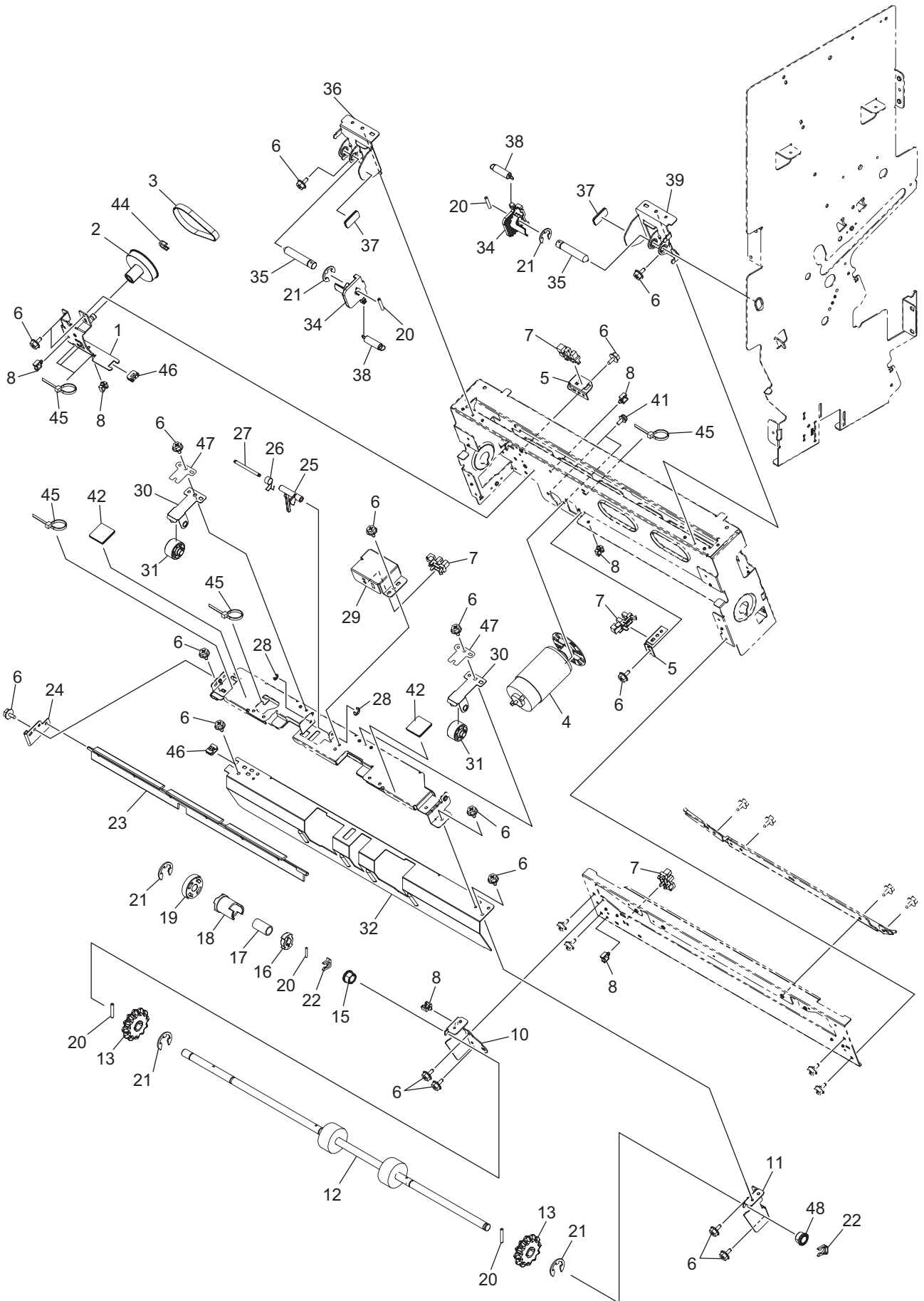




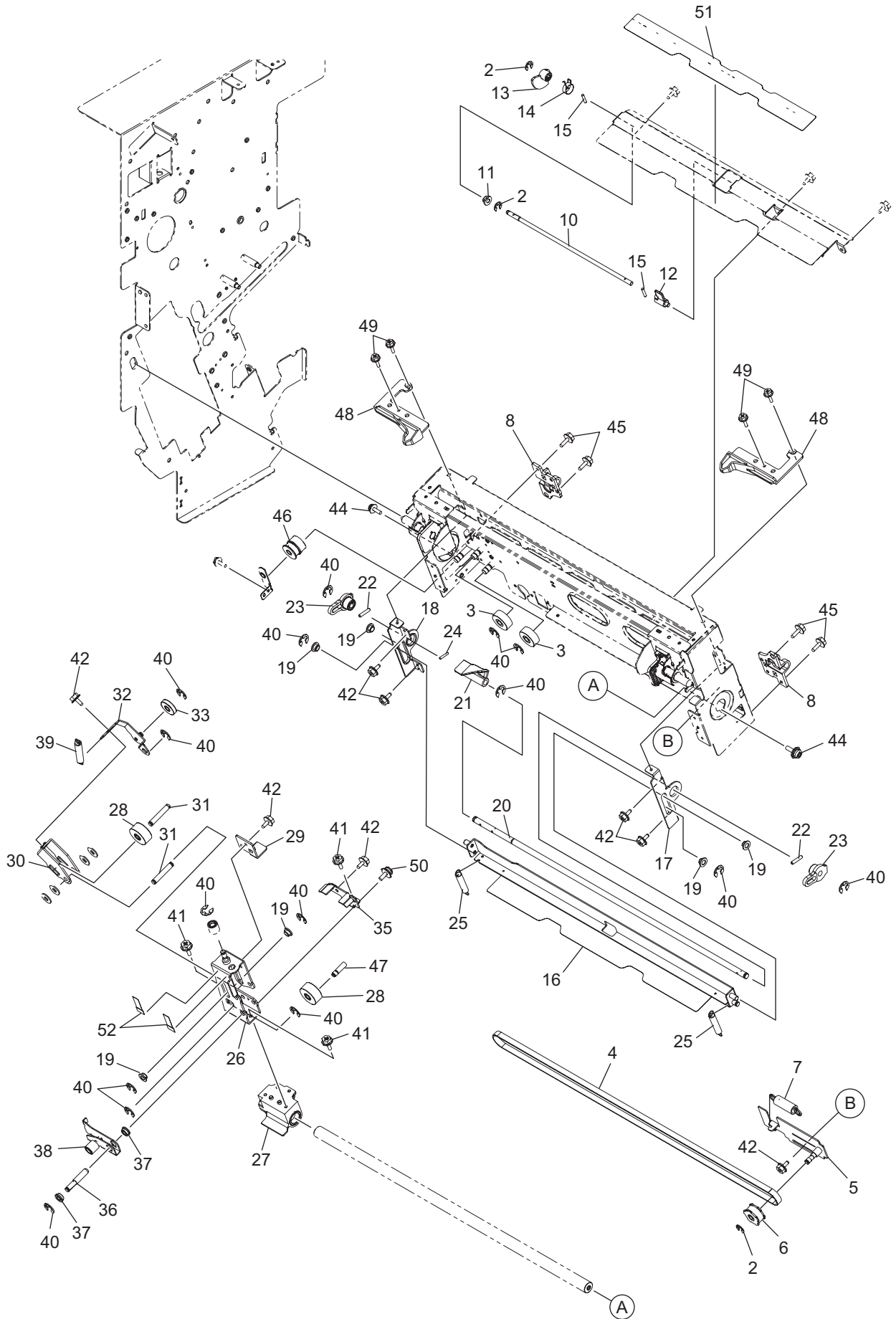




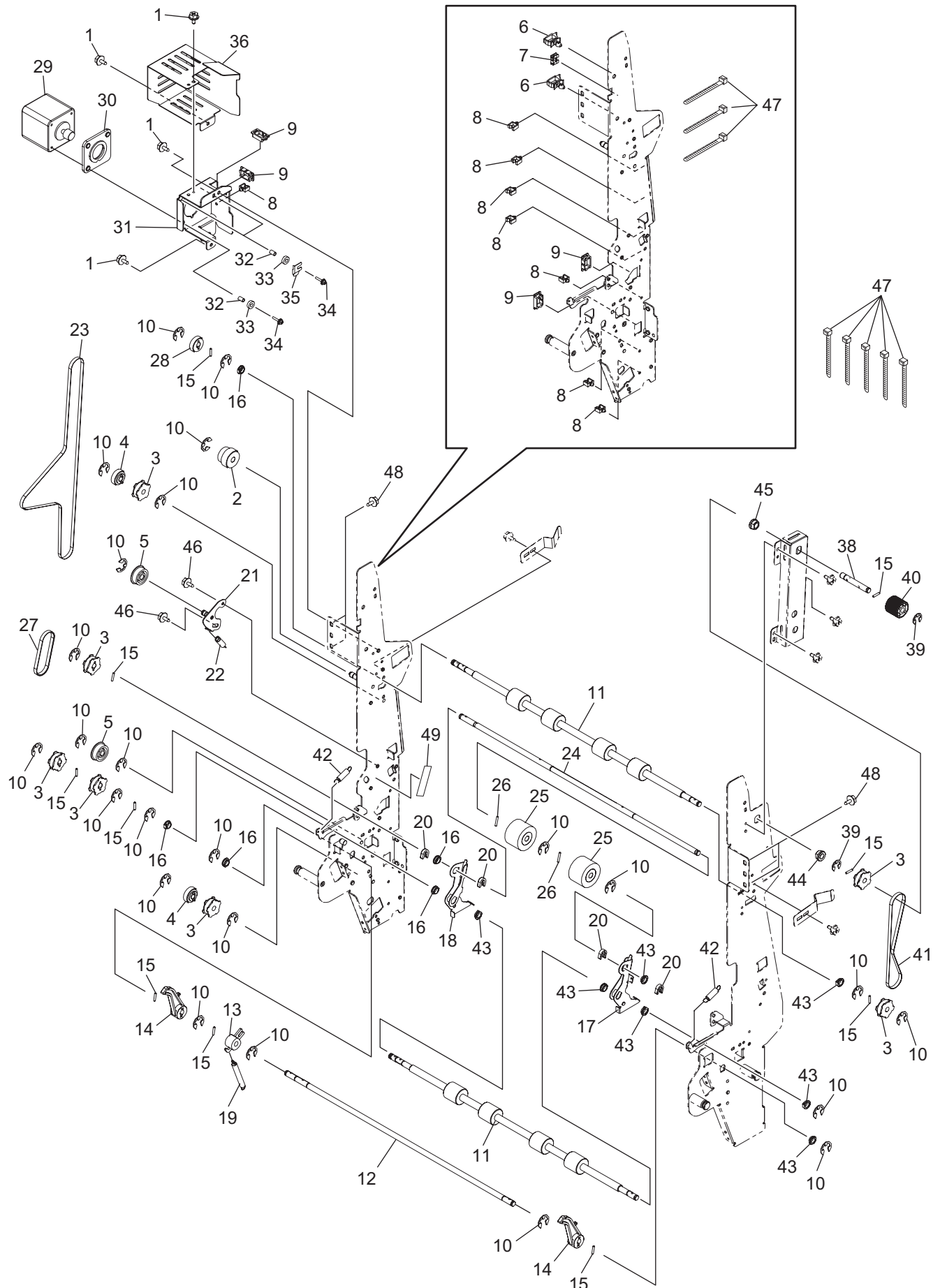




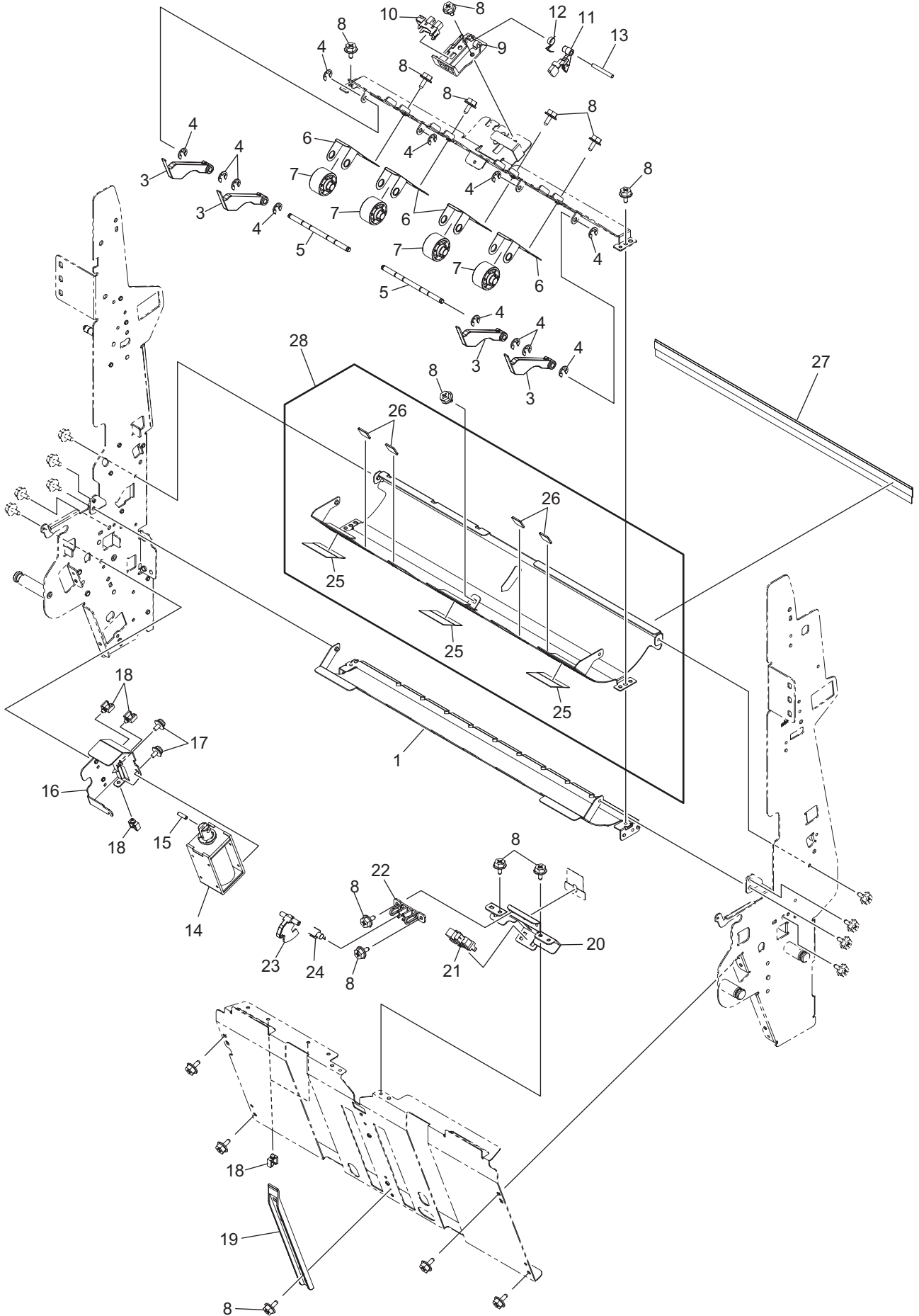
ITEM No.	PART No.	PART NAME	Q'TY / PAGE	Q'TY / PACK	REMARKS
1	6LB29993000	ASYS-BRKT7-EFS	1	1/P	
2	6LB29959000	GEAR-S2M60_5S24-6-EFS	1	1/P	
3	6LB30003000	BELT-60S2M-156-EFS	1	1/P	
4	6LB30062000	ASYS-MOTOR-EFS	1	1/C	
5	6LB29938000	BRKT6-EFS	2	1/P	
6	X0-02419000	S/TPS/FHEXM/R-3X6-ZU3	18	10/P	
7	C0-11250000	LG248NL1	4	1/P	
8	F0-00042000	UAMS-05S-2	6	5/P	
10	6LB30237000	BRKT-EX-F-RER-SDL	1	1/P	
11	6LB30236000	BRKT-EX-F-FRT-SDL	1	1/P	
12	6LH78708000	RLR-EX-F-SDL	1	1/KP	
13	6LH82200000	RLR-COL-EX-F-SDL-RBT	2	1/P	
15	6LH23442000	BUSH-8X12X8F-NU4	1	5/P	
16	6LB30233000	RCHT-STAY-EX-F-SDL	1	1/P	
17	6LB27804000	SPG-RCHT-EX-F-SDL	1	1/P	
18	6LB30232000	RCHT-SLIDE-EX-F-SDL	1	1/P	
19	6LB30235000	GEAR-RCHT-10S25-SDL	1	1/P	
20	X0-01526000	P/PRL/AH7-2X12-SS	5	10/P	
21	X0-00968000	RR/E-7-SS	5	10/P	
22	41306265000	STOP RING	2	1/P	
23	6LB30245100	BRIR-ROD-EX-F-SDL-F5330	1	1/KP	
24	6LB30244000	PLT-BURR-ROD-EX-F-SDL	1	1/P	
25	6LB30247000	ACTR-EX-F-SDL	1	1/P	
26	6LB30239000	SPG-ACTR-EX-F-SDL	1	1/P	
27	6LB30238000	SHAFT-ACTR-EX-F-SDL	1	1/P	
28	X0-00963000	RR/E-2-SS	2	10/P	
29	6LB30275000	PLT-SEN-EX-F-SDL_VE	1	1/P	
30	6LH81725000	PLATE-RLR-SDL-035	2	1/P	
31	6LH82126000	RLR-D20XL16-SDL	2	1/P	
32	6LB30246000	PLT-GID-LOW-EX-F-SDL	1	1/P	
34	6LB29968100	LEVER-PIVOT-SDL2	2	1/P	
35	6LB30010000	PIVOT-SDL	2	1/P	
36	6LB29954000	PLT7-ROD-RER-SDL	1	1/P	
37	6LH83031000	LABEL-GREEN-1	2	5/P	
38	6LB30063000	SPG-E-7R2XR6X26R4R-EFS7	2	1/P	
39	6LB29948000	PLT7-ROD-FRT-SDL	1	1/P	
41	X0-00050000	S/PAN/SWWP-M3X5-NI	2	10/P	
42	6LH83028000	LABEL-GREEN-1-SDL	2	1/P	
44	6LE49743000	STOP-RING-6-5-POM	1	5/P	
45	F0-00521000	SKB-1	6	5/P	
46	F0-01493000	DS-02S	2	5/P	
47	6LB30130000	PLATE-SUPT-RLR-SDL	2	1/P	
48	4400802080	BUSH-8	1	5/P	

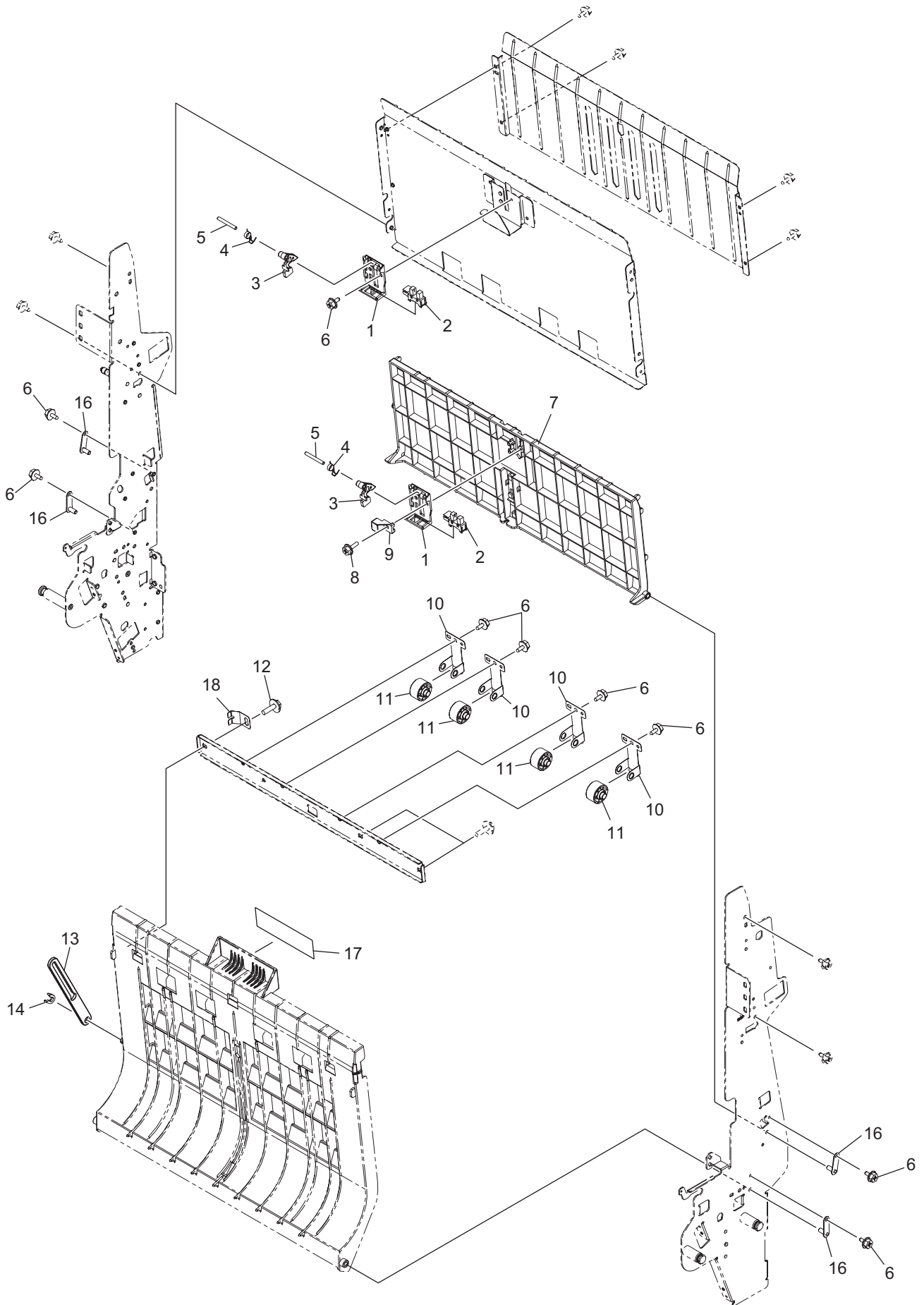


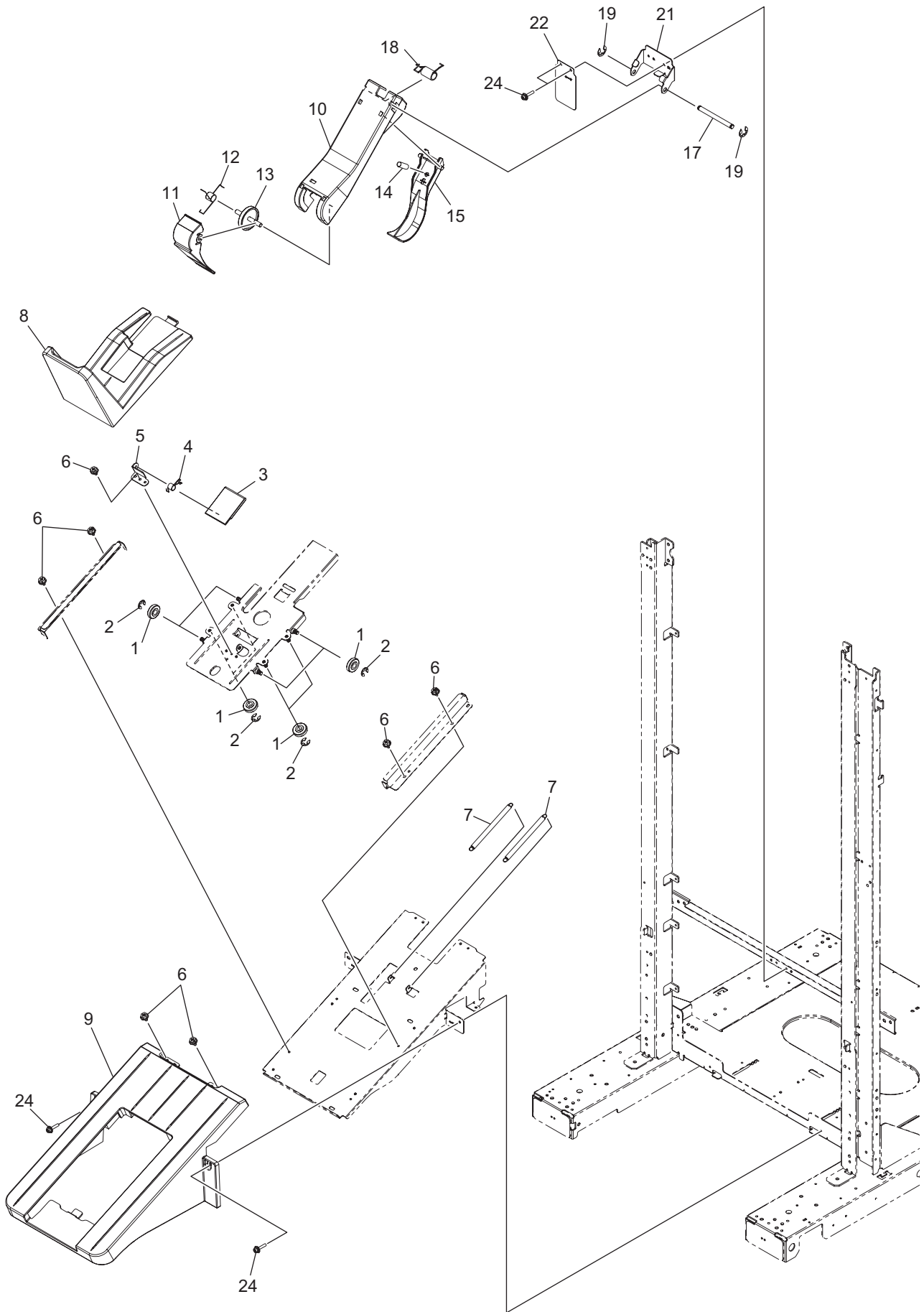
ITEM No.	PART No.	PART NAME	Q'TY / PAGE	Q'TY / PACK	REMARKS
2	X0-00964000	RR/E-3-SS	3	10/P	
3	6LB30074000	GEAR-5S34-6-EFS	2	1/P	
4	6LB30004000	BELT-60S3M-852-EFS	1	1/P	
5	6LB30037000	ASYS-PLT-PLY-EFS	1	1/P	
6	6LB08619000	PLY-CARR-STPL	1	1/P	
7	6LB09006000	SPG-CARR-STPL	1	1/P	
8	6LB29967000	BRKT11-PJ-SDL	2	1/P	
10	6LB30016000	SHAFT1-SENS-EFS	1	1/P	
11	6LA02920000	BUSH-0410-05F-M	1	5/P	
12	6LB29961000	ACTR1-EFS	1	1/P	
13	6LB29962000	ACTR2-EFS	1	1/P	
14	6LB30045000	SPG-T-11R5XR55X5R5L-SDL3	1	1/P	
15	X0-01164000	P/PRL/AH7-1.6X8-SS	2	10/P	
16	6LB30065000	ASYS-PLT3-FILM3-EFS	1	1/KP	
17	6LB29945000	BRKT10-FRT-EFS	1	1/P	
18	6LB29946000	BRKT10-RER-EFS	1	1/P	
19	6LA36807000	BUSH-05-07-03-F	6	1/P	
20	6LB30021000	SHAFT9-EFS	1	1/P	
21	6LB29960000	LEVER2-EFS	1	1/P	
22	X0-00980000	P/PRL/AH7-2X10-SS	2	10/P	
23	6LB29958000	LEVER1-EFS	2	1/P	
24	X0-01526000	P/PRL/AH7-2X12-SS	1	10/P	
25	6LB30046000	SPG-E-6R6XR5X23R7-EFS4	2	1/P	
26	6LB29985000	ASYS-FRAME3-CA-EFS	1	1/P	
27	6LB30040000	ASYS-CARRIER-EFS	1	1/P	
28	6LB29964000	ROLLER2-EFS	2	1/P	
29	6LB29942100	BRACKET1-EFS-GXKS	1	1/P	
30	6LB29944000	ARM1N-EFS	1	1/P	
31	6LB30014000	SHAFT1-EFS	2	1/P	
32	6LB29995000	ASYS-PLATE1-EFS	1	1/P	
33	6LB29963000	ROLLER1-EFS	1	1/P	
35	6LB29940000	PLATE2-EFS	1	1/P	
36	6LB30017000	SHAFT3-EFS	1	1/P	
37	6LH23440000	BUSH-5X8X4R2F-GCB-NU4	2	5/P	
38	6LB29998000	ASYS-ARM2-EFS	1	1/P	
39	6LB30047000	SPG-E-7X1X46R3R-EFS6	1	1/P	
40	X0-00965000	RR/E-4-SS	15	10/P	
41	X0-02247000	S/TPP/FHEXM-3X8-NI	3	10/P	
42	X0-02419000	S/TPS/FHEXM/R-3X6-ZU3	8	10/P	
44	X0-00077000	S/PAN/SWWP-M3X8-NI	2	10/P	
45	X0-02420000	S/TPS/FHEXM/R-3X8-ZU3	4	10/P	
46	6LB30075000	PLY-S3M20-GEAR-5S40-EFS	1	1/P	
47	6LB30018000	SHAFT4-EFS	1	1/P	
48	6LB30087000	RETAINER-EFS-SDL	2	1/P	
49	X0-02594000	S/TPD3/FHEXM-3X10-ZU3	4	10/P	
50	X0-02551000	S/PAN/SWWP-M3X6-ZU3	1	10/P	
51	6LB30007000	FILM4-EFS	1	1/KP	
52	6LB10645000	BURUSH-CVR-FRM-FR	2	1/KP	

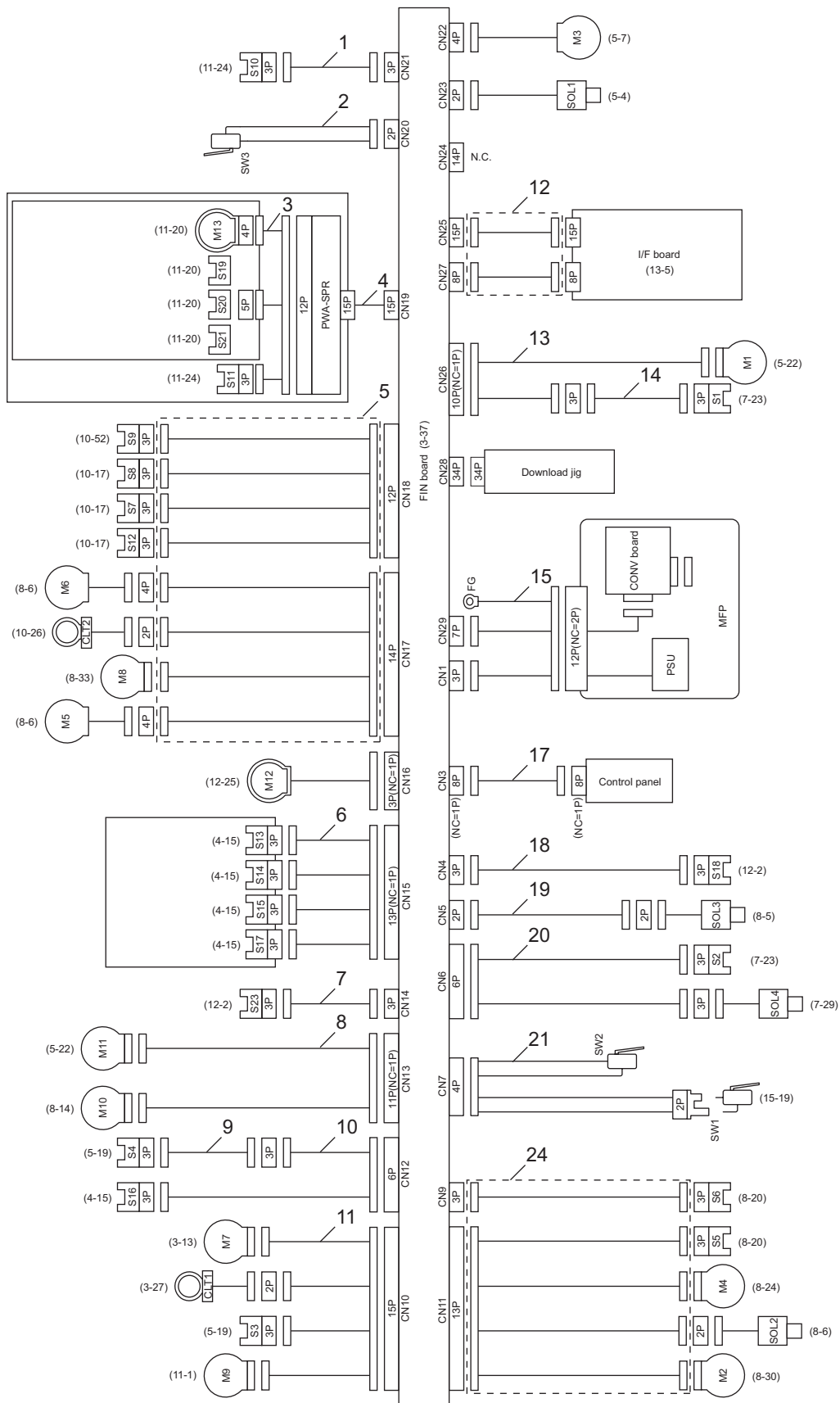


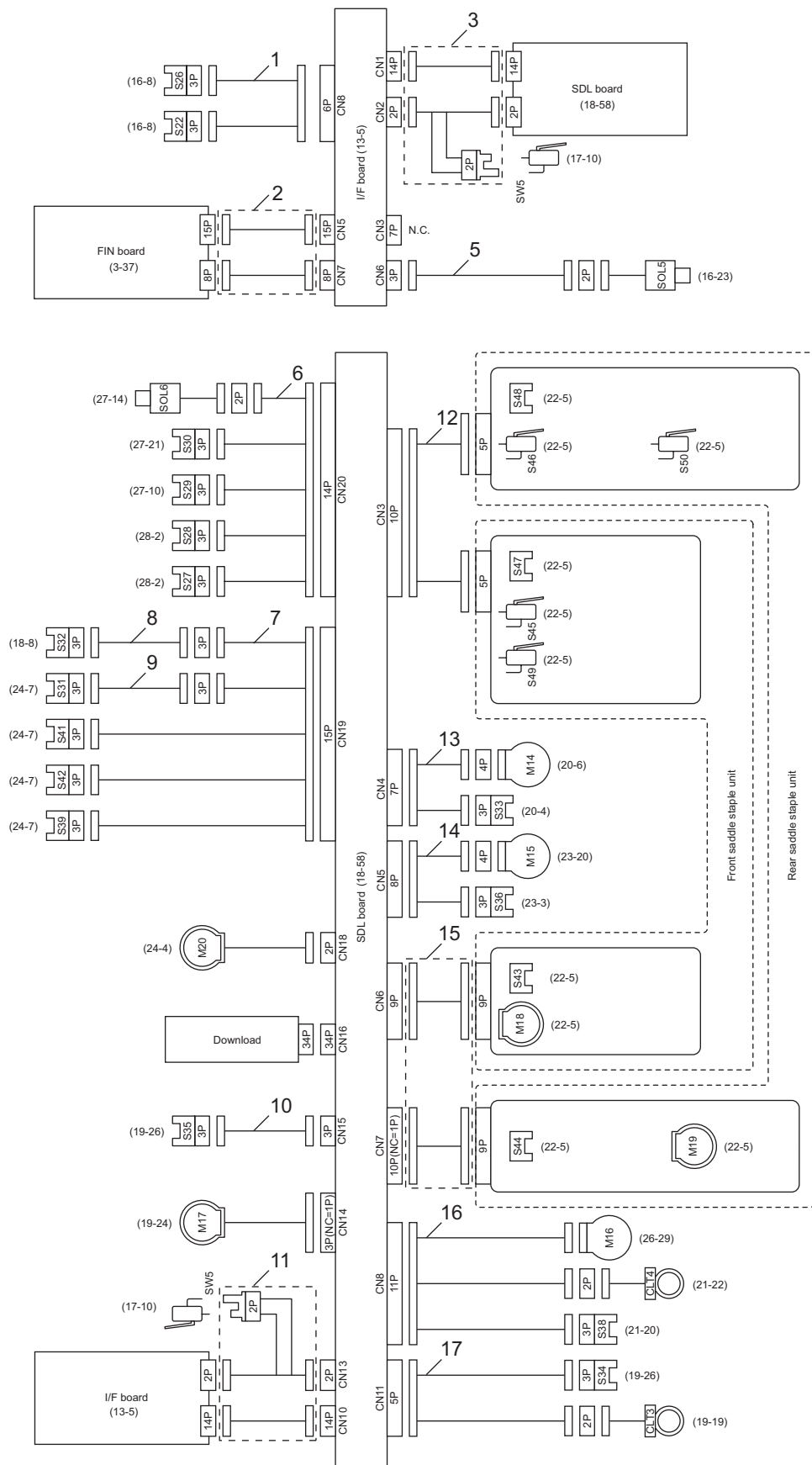
ITEM No.	PART No.	PART NAME	Q'TY / PAGE	Q'TY / PACK	REMARKS
1	X0-02419000	S/TPS/FHEXM/R-3X6-ZU3	4	10/P	
2	6LB08603000	GEAR-FEED-LOW-1	1	1/P	
3	6LB08609000	PULLY-S2M30-6-5	7	1/P	
4	6LB27203000	GEAR-FEED-SW-SDL	2	1/P	
5	6LB08610000	PULLY-TEN-S2M30-6-5	2	1/P	
6	F0-01810000	LWS-0511S-V0	2	5/P	
7	F0-01493000	DS-02S	1	5/P	
8	F0-00042000	UAMS-05S-2	8	5/P	
9	F0-01248000	ESC-0912	4	10/P	
10	X0-00966000	RR/E-5-SS	24	10/P	
11	6LH78710000	RLR-FEED-SWBK-SDL	2	1/KP	
12	6LB28737000	SFT-ASST-RLR-MG-SDL	1	1/P	
13	6LB28723000	PLT-AST-RLR-MG-SDL	1	1/P	
14	6LB28722000	PLT-AST-ARM-MG-SDL	2	1/P	
15	X0-00980000	P/PRL/AH7-2X10-SS	10	10/P	
16	PVB45-00701	CAM METAL	5	1/P	
17	6LB28749000	ASYS-AST-ARM-FRT-SDL	1	1/P	
18	6LB28748000	ASYS-AST-ARM-RER-SDL	1	1/P	
19	6LB28743000	SPG-AST-RLR-MG-SDL	1	1/P	
20	6LE49743000	STOP-RING-6-5-POM	4	5/P	
21	6LB42515000	ASYS-TENS-JBP-PIT	1	1/P	
22	6LB10826000	SPG-FLP-BU-C	1	1/P	
23	6LB28741000	BLT-40-S2M-630	1	1/P	
24	6LB28738000	SFT-AST-RLR-SWBK-SDL	1	1/P	
25	6LB28747000	ASYS-AST-RLR-SW-DG	2	1/P	
26	X0-01526000	P/PRL/AH7-2X12-SS	2	10/P	
27	6LB28740000	BLT-40-S2M-130	1	1/P	
28	6LB08608000	GEAR-FEED-LOW-6	1	1/P	
29	6LK01402000	MOTR-S-FEED-2	1	1/C	
30	6LB09850000	DUMPER MOTOR 4212	1	1/P	
31	6LB28708000	BRKT-FEED-MTR-SW-SDL	1	1/P	
32	F0-01634000	3382330-30065	3	5/P	
33	6LB09852000	DUMPER SCREW	3	5/P	
34	X0-02030000	S/PAN/SWWP-M3X12-NI	3	10/P	
35	6LB09885000	PLT-EARTH-MTR	1	1/P	
36	6LB28734000	COVER-FEED-MTR-SWBK	1	1/P	
38	6LB28739000	SFT-KNOB-SWBK-SDL	1	1/P	
39	X0-00965000	RR/E-4-SS	2	10/P	
40	6LB42518100	KNOB-PIT2	1	1/P	
41	6LB09614000	BLT-40-S2M-272	1	1/P	
42	6LB28742000	SPG-ASST-RLR-ARM-SDL	2	1/P	
43	6LH79100000	BUSH-6X8X3F-POM	7	1/P	
44	6LH53768000	BUSH-6-NU4	1	1/P	
45	44201492000	BUSH-6-POM	1	5/P	
46	X0-00059000	S/PAN/SWWS-M3X6-NI	2	10/P	
47	F0-00521000	SKB-1	8	5/P	
48	X0-02421000	S/TPS/FHEXM/R-4X8-ZU3	3	10/P	
49	6LB42537000	SHEET-FRM-JCT-PIT	1	1/P	

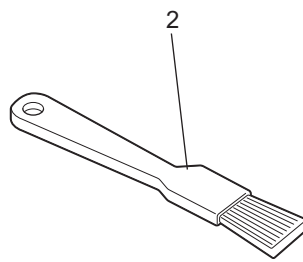
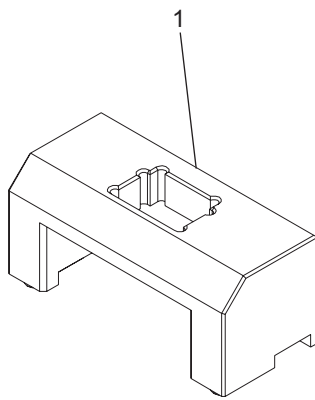












TOSHIBA

TOSHIBA TEC CORPORATION

1-11-1, OSAKI, SHINAGAWA-KU, TOKYO, 141-8562, JAPAN