

TOSHIBA

SERVICE PARTS LIST

FINISHER

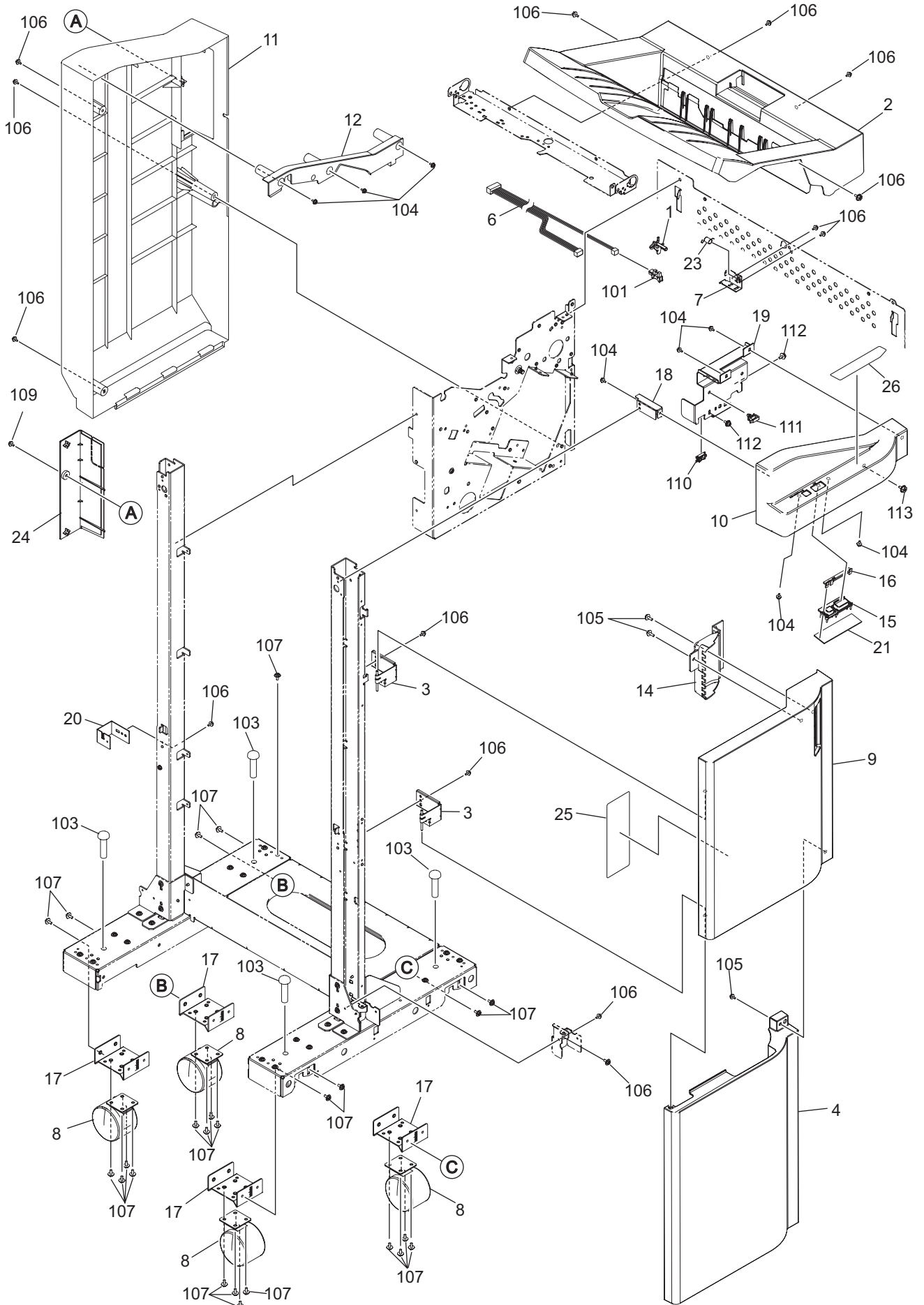
MJ-1107

© 2013 TOSHIBA TEC CORPORATION All rights reserved

Under the copyright laws, this manual cannot be reproduced in any form without prior written permission of TOSHIBA TEC CORPORATION. No patent liability is assumed, however, with respect to the use of the information contained herein.

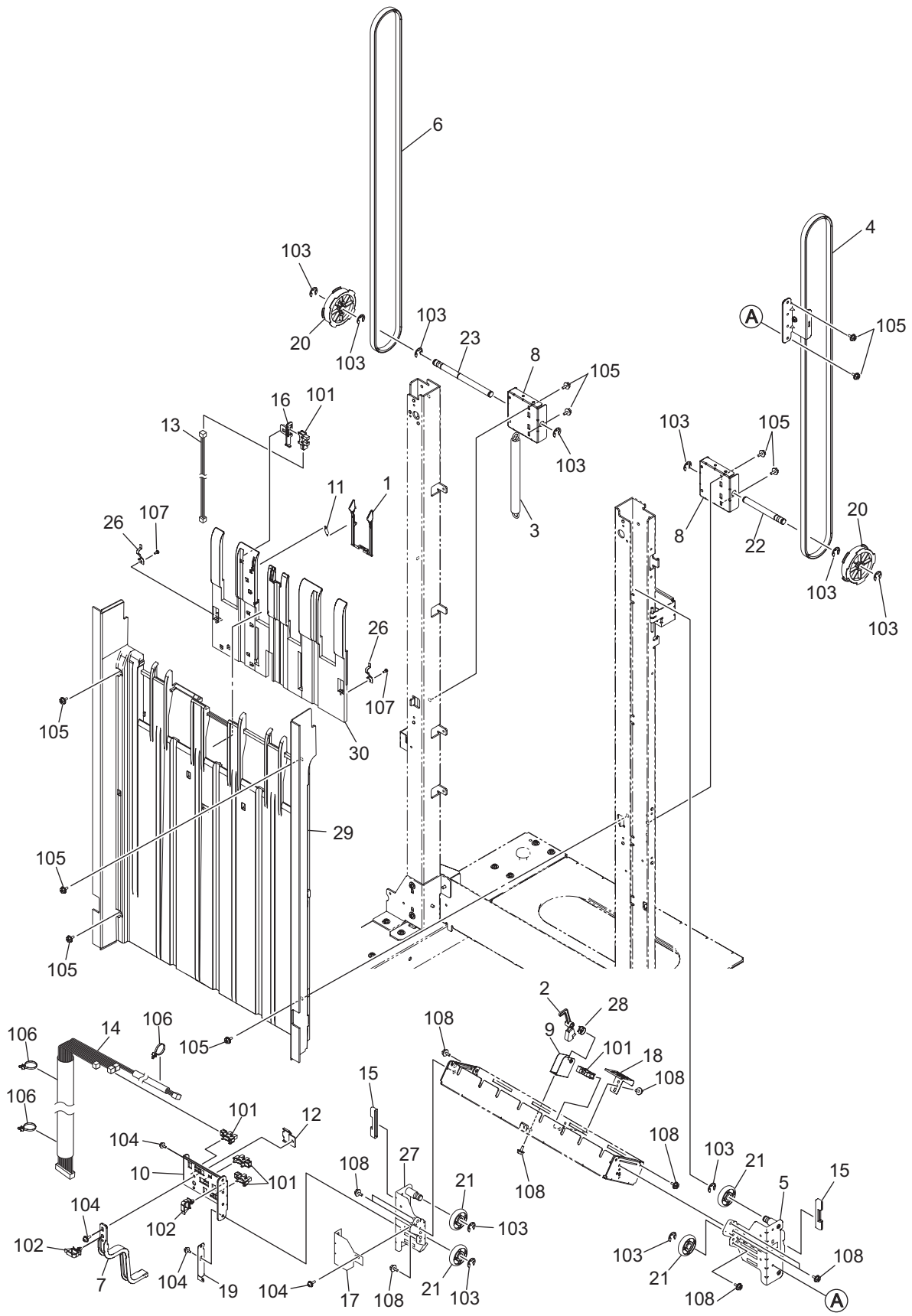
CONTENTS

BASE-FRAME-ASYB	1
GUIDE-P-SIDE-ASYB	2
FRAME-BASE-TRAY	3
FRAME-ALGIN-ASYB-1	4
FRAME-ALGIN-ASYB-2	5
STAPLE-ASYB	6
SORT-ASYB	7
BUFFER-1-ASYB	8
BUFFER-2-ASYB	9
BUFFER-3-ASYB	10
SORT-TRAY-ASYB	11
ACCESSORIES	12
JIG	20

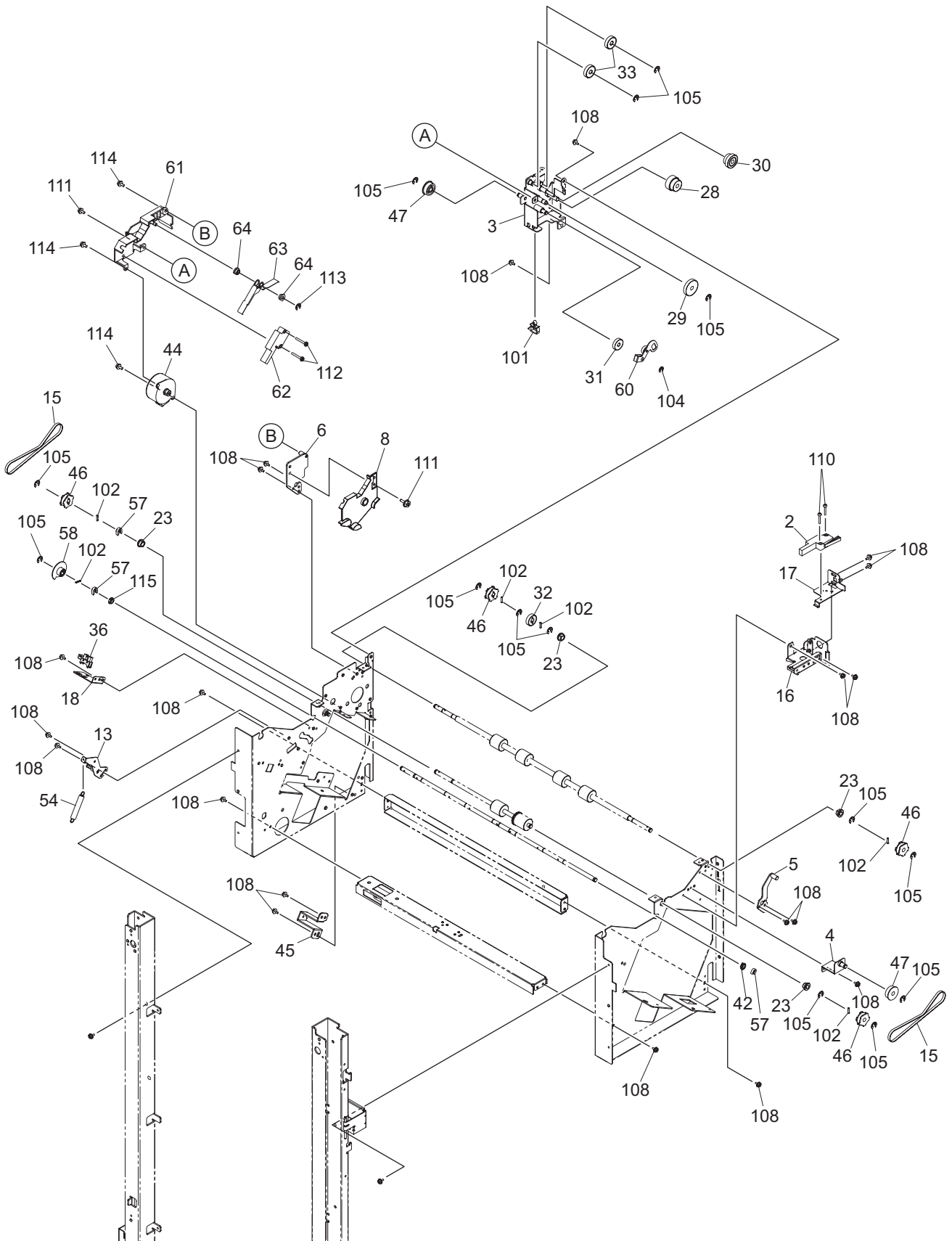


ITEM No.	PART No.	PART NAME	Q'TY / PAGE	Q'TY / PACK	REMARKS
1	6LB09602000	ACTR-SNSR-RLR-1	1	1/C	
2	6LK02800000	ASYB-TRAY-DBL-BU-C-VI-2	1	1/PP	
3	6LB11200000	ASYS-BRKT-DOOR-HNG	2	1/P	
4	6LB11203000	ASYS-COV-DOOR-BTM	1	1/PP	
6	6LB12417000	HRNS-INLET	1	1/P	
7	6LB10007000	BRKT-SNSR-RLR-1	1	1/P	
8	6LB09433000	CASTER-LZ-60P	4	1/D	
9	6LB11208000	COVER-DOOR-TOP-T	1	1/PP	
10	6LB11221000	COVER-FRONT-TOP-T	1	1/PP	
11	6LB11245000	COVER-REAR-T	1	1/PP	
12	6LB11224100	COVER-REAR-FRONT	1	1/PP	
14	6LB11216000	HNDL-DOOR-T	1	1/P	
15	6LB11226100	KEY-TOP-STPL-L	1	1/C	
16	6LB11251000	LED-TOP-2	1	1/D	
17	6LB09436000	PLT-CASTER-FOOT	4	1/P	
18	6LB11243000	PLT-SPCR-FRONT-L	1	1/P	
19	6LB11242000	PLT-SPCR-FRONT-R	1	1/D	
20	6LB11228000	PLT-SPCR-REAR-L-B	1	1/P	
21	6LB12405000	PWA-CPL-101	1	1/C	
23	6LB09015000	SPG-FEED-SNSR-1	1	1/P	
24	6LB11222000	COVER-OPTION	1	1/P	
25	6LH83023000	LABEL-STPL-MJ1106	1	1/KP	
26	6LB16435000	LBL-MNL-STPL-MJ-1101-EX	1	1/KP	
101	C0-10813000	GP1A73ARJ00F	1	1/P	
103	X0-02400000	S/PAN-M10X40-NI	4	10/P	
104	X0-02246000	S/TPP/FHEXM-3X6-NI	8	10/P	
105	X0-02252000	S/TPP/FHEXM-4X10-NI	3	10/P	
106	X0-02419000	S/TPS/FHEXM/R-3X6-ZU3	14	10/P	
107	X0-02421000	S/TPS/FHEXM/R-4X8-ZU3	24	10/P	
109	X0-02247000	S/TPP/FHEXM-3X8-NI	1	10/P	
110	F0-01248000	ESC-0912	1	10/P	
111	F0-01810000	LWS-0511S-V0	1	5/P	
112	X0-02551000	S/PAN/SWWP-M3X6-ZU3	2	10/P	
113	X0-02420000	S/TPS/FHEXM/R-3X8-ZU3	1	10/P	

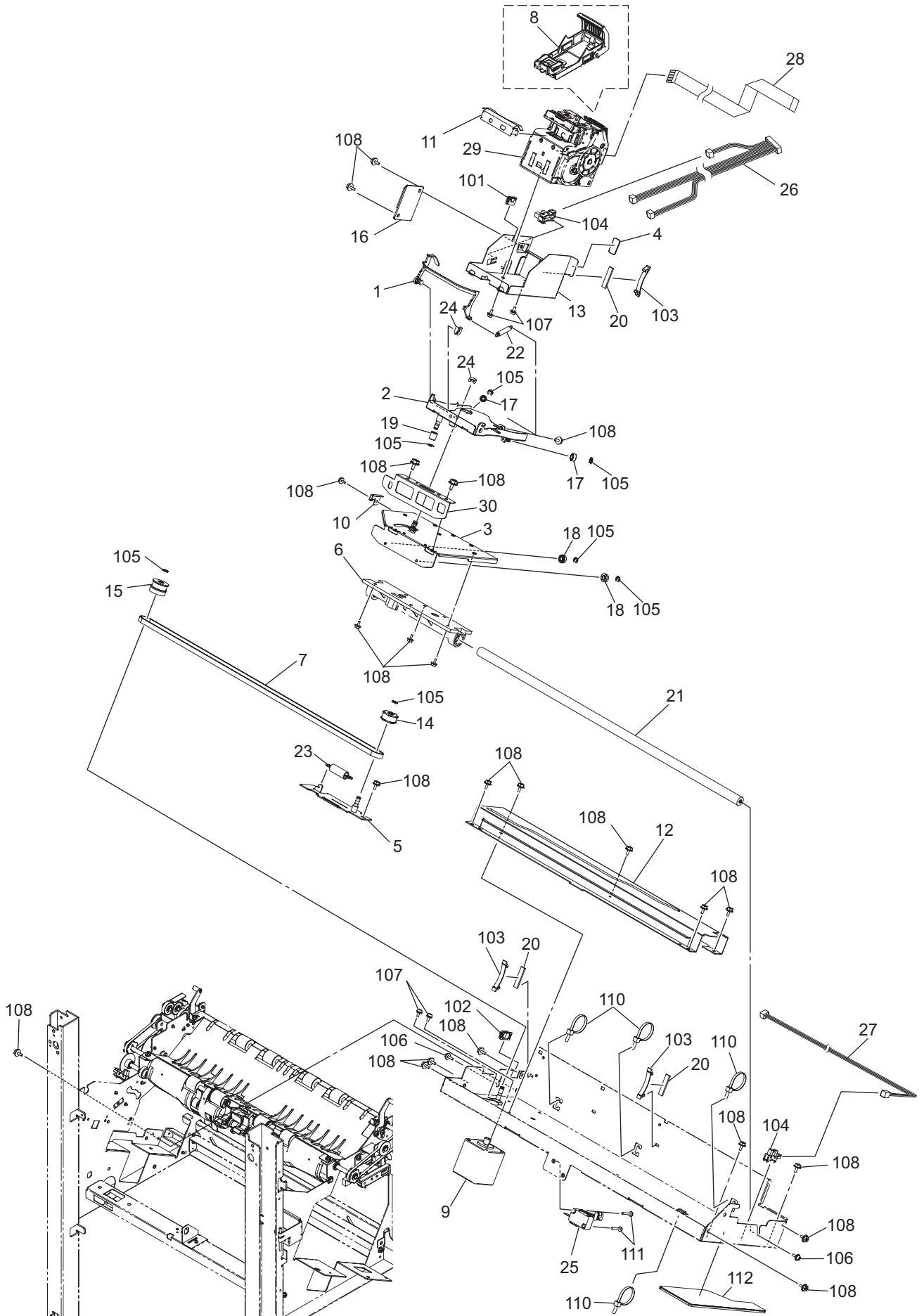
ITEM No.	PART No.	PART NAME	Q'TY / PAGE	Q'TY / PACK	REMARKS
2	FBHB0008901	BELT TENSION ROLLER	1	1/P	
3	6LB11045000	BELT-SHUT-S3M-TRAY	1	1/P	
4	6LB39511000	BLT-60S2M-344-SF	1	1/P	
5	6LB11040000	ASYS-BRKT-EL-CLUTCH-TRAY	1	1/P	
6	6LB10619000	BRKT-MOTR-VI	1	1/P	
7	6LB09885000	PLT-EARTH-MTR	1	1/P	
8	6LB11184000	BRUSH-EXIT-BU-C	1	1/KP	
9	6LB40551000	ASYS-MYLAR-FEED-IN-PIT	1	1/KP	
10	F0-01634000	3382330-30065	2	5/P	
11	6LH53768000	BUSH-6-NU4	4	1/P	
12	6LB09621000	ASYS-COVER-FEED-LOW-IN	1	1/P	
13	6LB11209100	COVER-FOOT	2	1/PP	
14	6LB11210100	COVER-FOOT-FRONT	1	1/PP	
16	6LB11213000	COVER-LEFT-TOP-T	1	1/PP	
17	6LK03963000	ASY-FIN-573	1	1/SB	
18	6LB11214000	COVER-RAIL-FRONT-T	1	1/PP	
19	6LB11215000	COVER-RAIL-REAR-T	1	1/PP	
20	6LH81324100	COVER-RIGHT-LGFW	1	1/P	
21	6LB09851000	DUMPER_MOTOR_4210	1	1/P	
22	6LB09852000	DUMPER_SCREW	2	5/P	
23	6LB11048000	EL-CLUTCH-SHUT-TRAY	1	1/D	
24	6LB11050000	GEAR-10S25-6-TRAY	2	1/P	
25	6LB08417000	MOTR-HB42K1-S2M20-VI	1	1/C	
27	6LH83024000	LBL-CAUTION-MJ-1106	1	1/KP	
28	6LB11232000	PLT-SPCR-REAR-L-T	1	1/P	
29	6LB39506000	PULLY-S2M21-6-SF-PIT	2	1/P	
30	6LB11052000	PULLY-S3M20-6-TRAY	1	1/P	
32	6LB11054000	SHAFT-DRV-SHUT-TRAY	1	1/P	
33	6LB11240100	COVER-REAR-BTM	1	1/PP	
34	6LE49743000	STOP-RING-6-5-POM	8	5/P	
35	6LB11053000	PULLY-S3M50-6-TRAY	1	1/P	
36	6LB09619000	ABSORBER-CVR-FEED-LOW-1	2	1/P	
37	6LB09620000	ABSORBER-CVR-FEED-LOW-2	1	1/KP	
38	44201492000	BUSH-6-POM	1	5/P	
101	C0-10813000	GP1A73ARJ00F	1	1/P	
102	F0-00736000	LWS-0711Z	7	5/P	
104	X0-01526000	P/PRL/AH7-2X12-SS	3	10/P	
105	X0-01533000	P/PRL/AH7-2X16-SS	1	10/P	
106	X0-00964000	RR/E-3-SS	1	10/P	
107	X0-00965000	RR/E-4-SS	1	10/P	
108	X0-02030000	S/PAN/SWWP-M3X12-NI	2	10/P	
112	X0-02419000	S/TPS/FHEXM/R-3X6-ZU3	48	10/P	
113	F0-01417000	NS-80	1	1/P	
114	F0-00521000	SKB-1	1	5/P	
115	6LA08935000	SCR-M3X6BISR-NI	1	10/P	
116	F0-01715000	LWS-3S-V0	1	5/P	



ITEM No.	PART No.	PART NAME	Q'TY / PAGE	Q'TY / PACK	REMARKS
1	6LB10008000	ARM-SOL-ALIGN	1	1/P	
2	6LB10060000	ASYS-PDL-DRP-OUT-72	2	1/C	
7	6LB10062000	MYLAR-GID-PDL-2	2	1/P	
9	6LH79532000	ASYS-GID-PDL-FRT	1	1/PP	
10	6LH79533000	ASYS-GID-PDL-RER	1	1/PP	
11	6LB10001000	ASYS-PDL-DRP-SID-VI	2	1/P	
12	6LB10002000	ASYS-PDL-DRP-VI	2	1/P	
14	6LB10072000	ASYS-ZIPPER-ALIGN-A	1	1/P	
19	6LB11046000	BRKT-SHAFT-SHUT-TRAY	1	1/P	
20	6LB10014000	BRKT-SOL-BASE	1	1/P	
21	6LB10038000	BRUSH-GID-PDL	2	1/KP	
23	6LH53768000	BUSH-6-NU4	1	1/P	
26	F0-01248000	ESC-0912	1	10/P	
35	6LB39507000		1		
37	6LB09617000	GUIDE-FEED-LOW	1	1/PP	
38	6LB09611000	GUIDE-FEED-LOW-RIB	2	1/D	
39	6LB09443000	STAY-LOCK-2	1	1/P	
40	6LB10018000	LEVER-SOL-ALIGN	1	1/P	
42	6LH79100000	BUSH-6X8X3F-POM	2	1/P	
43	6LK01403000	MOTR-S-FEED-VI-2	1	1/C	
48	6LB08810000	RLR-FEED-1	1	1/KP	
49	6LB08812000	RLR-FEED-2	1	1/KP	
50	6LB08811000	RLR-FEED-2-R	1	10/KP	
51	6LB09432000	SCREW-LEVER-M3_6	2	1/P	
52	6LB10019000	SHAFT-PDL-VI	1	1/P	
53	6LB08410000	SOL-08BM-51-VI	1	1/D	
55	6LB09002000	SPG-SOL-ALIGN	1	1/P	
56	6LB09003000	SPG-ZIPPER-ALIGN	1	1/P	
59	6LB10012000	ZIPPER-ALIGN-B	1	1/P	
60	6LB09441000	SLOPE-LOCK2	1	1/P	
61	6LB09437000	BRKT-HOOK-LOCK2	1	1/P	
62	6LB09442000	SPG-LOCK2	1	1/P	
101	F0-01810000	LWS-0511S-V0	1	5/P	
102	X0-00980000	P/PRL/AH7-2X10-SS	7	10/P	
103	X0-01009000	P/SPW/AW-2X10-SS	1	10/P	
105	X0-00966000	RR/E-5-SS	12	10/P	
107	X0-00050000	S/PAN/SWWP-M3X5-NI	2	10/P	
108	X0-02419000	S/TPS/FHEXM/R-3X6-ZU3	17	10/P	
109	X0-02551000	S/PAN/SWWP-M3X6-ZU3	8	10/P	
110	X0-02247000	S/TPP/FHEXM-3X8-NI	1	10/P	
112	6LH78503000	BLT-40-S2M-126	1	1/P	

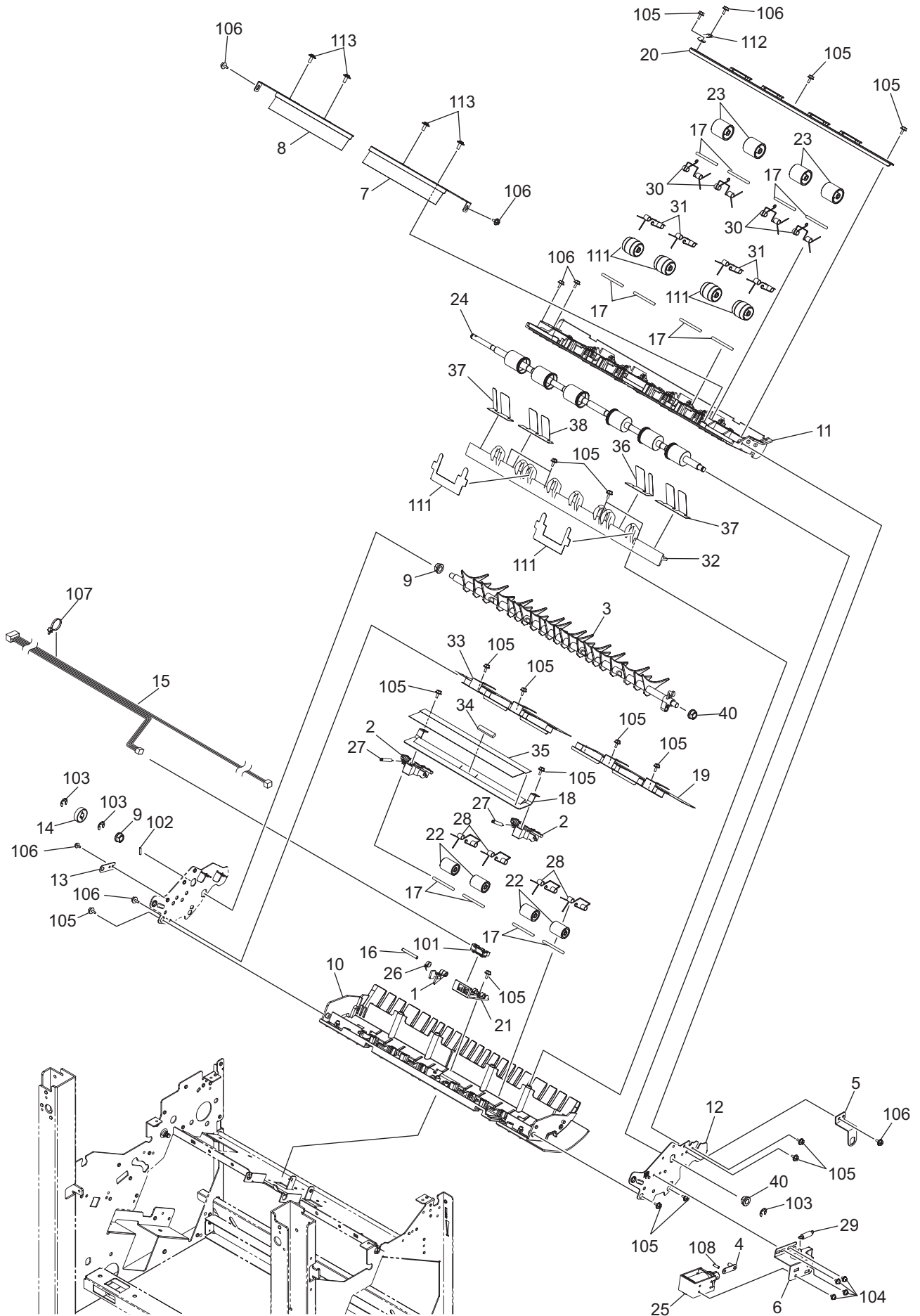


ITEM No.	PART No.	PART NAME	Q'TY / PAGE	Q'TY / PACK	REMARKS
2	E0-09409000	AM51632C731N	1	1/D	
3	6LB09600000	ASYS-BRKT-FEED-GEAR	1	1/P	
4	6LB10000000	ASYS-BRKT-TEN-RLR-F	1	1/P	
5	6LB10838000	ASYS-BRKT-TRY-F-BU-C	1	1/P	
6	6LB10086000	ASYS-BRKT-UPPER-TRAY-SW	1	1/P	
8	6LK01404000	CVR-UPPER-TRAY-SW-2	1	1/P	
13	6LB10606000	ASYS-PLATE-PLY-IDL-SF	1	1/P	
15	6LB09614000	BLT-40-S2M-272	2	1/P	
16	6LB11241000	BRKT-DOOR-SNSR	1	1/P	
17	6LB11233000	PLT-TURN-SNSR	1	1/P	
18	6LB10013000	BRKT-PDL-SNSR	1	1/P	
23	6LH53768000	BUSH-6-NU4	4	1/P	
28	6LB08603000	GEAR-FEED-LOW-1	1	1/P	
29	6LB08604000	GEAR-FEED-LOW-2	1	1/P	
30	6LB08605000	GEAR-FEED-LOW-3	1	1/P	
31	6LB08606000	GEAR-FEED-LOW-5	1	1/P	
32	6LB08608000	GEAR-FEED-LOW-6	1	1/P	
33	6LB08607000	GEAR-FEED-LOW-8	2	1/P	
36	C0-10813000	GP1A73ARJ00F	1	1/P	
42	6LH79100000	BUSH-6X8X3F-POM	1	1/P	
44	6LK01400000	MOTR-S-PDL-ALIGN-RBT-2	1	1/C	
45	6LB11231000	PLT-SPCR-REAR-R-B	1	1/P	
46	6LB08609000	PULLY-S2M30-6-5	4	1/P	
47	6LB08610000	PULLY-TEN-S2M30-6-5	2	1/P	
54	6LB09013000	SPG-BLT-TENS-SF	1	1/P	
57	6LE49743000	STOP-RING-6-5-POM	3	5/P	
58	6LB10020000	WHEEL-SNSR-PDL-VI	1	1/P	
60	6LB09601000	ASYS-GEAR-FEED-1	1	1/P	
61	6LB10084100	ASYS-HLDR-UPPER-TRAY-SW-F	1	1/P	
62	6LK03949000	HRNS-CVRSW-N-VI2	1	1/P	
63	6LB10080000	PLATE-UPPER-TRAY-SW	1	1/P	
64	6LA02920000	BUSH-0410-05F-M	2	5/P	
101	F0-01810000	LWS-0511S-V0	1	5/P	
102	X0-00980000	P/PRL/AH7-2X10-SS	5	10/P	
104	X0-00965000	RR/E-4-SS	1	10/P	
105	X0-00966000	RR/E-5-SS	14	10/P	
108	X0-02419000	S/TPS/FHEXM/R-3X6-ZU3	21	10/P	
110	X0-02060000	S/TPS/PAN-3X16-ZU3	2	10/P	
111	X0-02420000	S/TPS/FHEXM/R-3X8-ZU3	2	10/P	
112	X0-02127000	S/TPP/PAN-3X16-NI	2	10/P	
113	X0-00964000	RR/E-3-SS	1	10/P	
114	X0-00077000	S/PAN/SWWP-M3X8-NI	3	10/P	
115	PVB45-00701	CAM METAL	1	1/P	



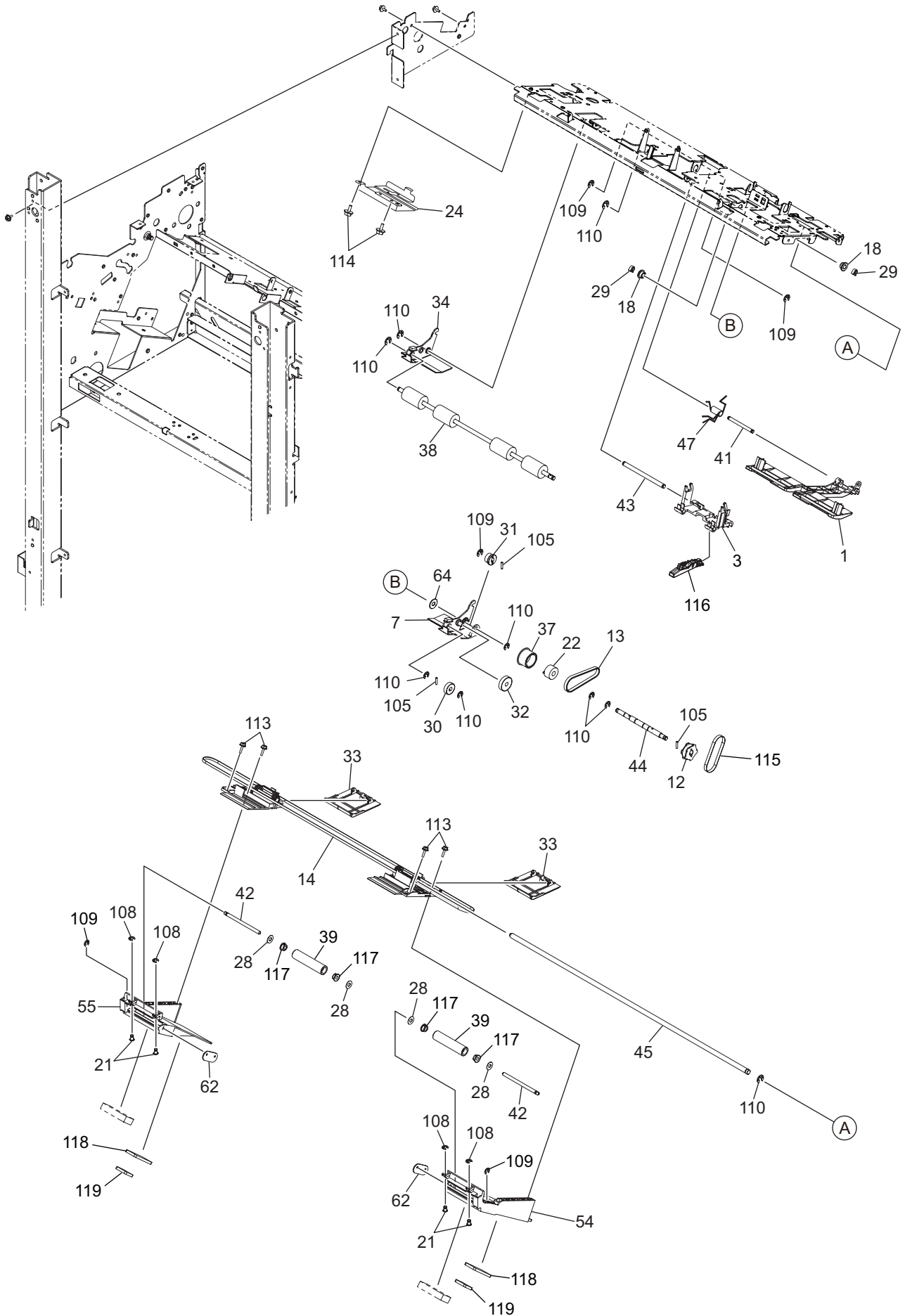
ITEM No.	PART No.	PART NAME	Q'TY / PAGE	Q'TY / PACK	REMARKS
1	6LB10425000	ACTR-STPL	1	1/C	
2	6LB10420000	ASYS-BASE-STPL	1	1/P	
3	6LH80307000	ASYS-CARR-STPL-2	1	1/P	
4	6LH83031000	LABEL-GREEN-1	1	5/P	
5	6LB10460000	ASYS-PLT-PLY-STPL	1	1/P	
6	6LB10450000	ASYS-S-CARRIER	1	1/P	
7	6LB10401000	BLT-60S3M-900-SP	1	1/P	
8	6LH80303000	EH-C590T2-CARTRIDGE	1	1/C	
9	6LB08418000	MOTR-HB42-5S15-SP	1	1/C	
10	6LB10431000	PLATE-EARTH-STPL	1	1/P	
11	6LB10413000	PLATE-GID-HOLD-ARM	1	1/C	
12	6LB10403000	PLATE-TURN-RAIL	1	1/P	
13	6LB10412000	PLATE-TURN-STPL	1	1/P	
14	6LB08619000	PLY-CARR-STPL	1	1/P	
15	6LB08620000	PLY-S3M20-GEAR-5S40	1	1/P	
16	6LB12404000	PWA-SPR-101	1	1/C	
17	6LB08805000	RLR-BASE-STPL	2	1/P	
18	6LB08804000	RLR-CARR-STPL	2	1/P	
19	6LB08806000	RLR-SLIDE-STPL	1	1/P	
20	6LB10404000	RUBR-STPL	3	5/P	
21	6LB10402000	SHAFT-CARR-STPL	1	1/P	
22	6LB09011000	SPG-ACRT-STPL	1	1/P	
23	6LB09006000	SPG-CARR-STPL	1	1/P	
24	6LE49743000	STOP-RING-6-5-POM	2	5/P	
25	6LK03950000	HRNS-SPRSFTSW-N-VI2	1	1/P	
26	6LB12424000	HRNS-SPRCAR	1	1/P	
27	6LB12425000	HRNS-SPRSFTHP	1	1/P	
28	6LB12423000	HRNS-SPRFFC	1	1/P	
29	6LH79102000	STAPLE_EH-C590T2	1	1/C	
30	6LH80305000	PLT-GUIDE-SUPPT-SW-STAPLE	1	1/P	
101	F0-01493000	DS-02S	1	5/P	
102	F0-01248000	ESC-0912	1	10/P	
103	F0-01286000	FCR-30	3	5/P	
104	C0-10813000	GP1A73ARJ00F	2	1/P	
105	X0-00964000	RR/E-3-SS	7	10/P	
106	X0-00077000	S/PAN/SWWP-M3X8-NI	2	10/P	
107	X0-00059000	S/PAN/SWWS-M3X6-NI	4	10/P	
108	X0-02419000	S/TPS/FHEXM/R-3X6-ZU3	22	10/P	
110	F0-00521000	SKB-1	4	5/P	
111	X0-02060000	S/TPS/PAN-3X16-ZU3	2	10/P	
112	6LB10480000	SHEET-FRM-FRT-ALIGN	1	1/KP	

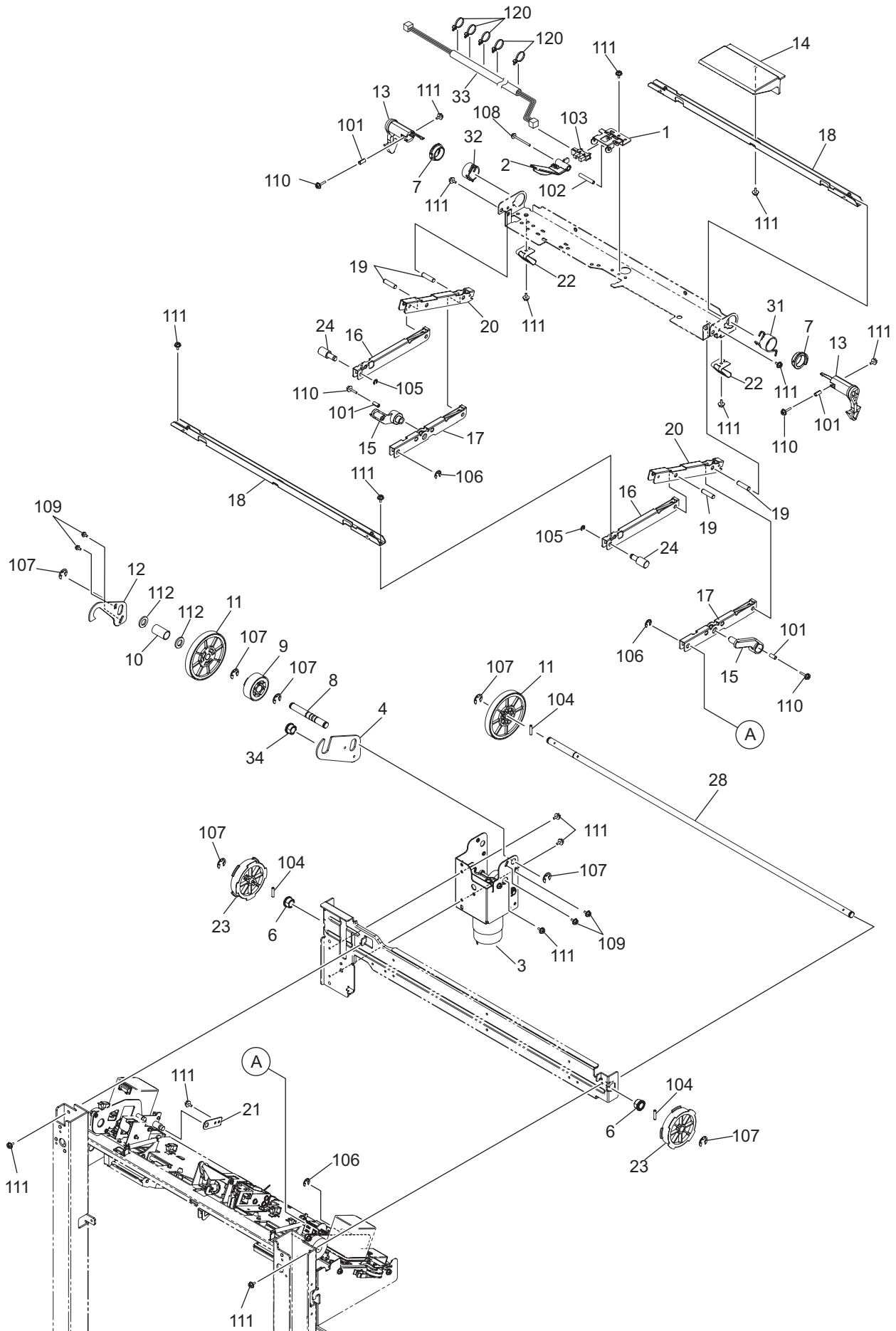
ITEM No.	PART No.	PART NAME	Q'TY / PAGE	Q'TY / PACK	REMARKS
1	6LK02003000	ASYB-SHEAF-FEED-RBT-2	1	1/C	
2	6LB10201000	ACTR-P-SNSR-SO	1	1/P	
4	6LB42948000	HRNS-FIN3-BC-PTJ	1	1/P	
5	6LB10226000	ASYB-BASE-BTM-PLATE	1	1/P	
7	6LB10214000	ASYB-BRKT-MOTR-SO	1	1/P	
9	6LB39706000	ASYB-RLR-SF-22R5	4	1/P	
10	6LB10615000	BLT-60S2M-134-SF	1	1/P	
12	6LH80102000	BRKT-MOTR-SF-RBT	1	1/P	
16	6LH80151000	ASYB-PLT-JOG-R-PR-TRAY	1	1/D	
17	6LB08406000	CLUCH-26G-6-10S30	1	1/D	
20	6LH80141000	PLT-JOG-F-PR-TRAY	1	1/P	
23	6LB08621000	GEAR-10S14-6-DV	1	1/P	
24	6LA29413000	GEAR-10S16-6	1	1/P	
25	6LB08600000	GEAR-10S16-6-SO	1	1/P	
29	6LB10625000	HLDR-SPG-SFAA	1	1/P	
31	6LH80101000	MOTR-HB42K4-S2M20-VI-RBT	1	1/C	
32	6LB08400000	MOTR-PM42-5S16-VI	2	1/C	
33	6LB10206000	MYLAR-P-PRESS-SO	2	1/KP	
34	6LB10222000	PLATE-EARTH-SO	2	1/C	
35	6LB10216000	PLATE-P-SNSR-SO	1	1/P	
36	6LB10207000	PLATE-STOP-RR-SIDE	2	1/P	
37	6LB39507000		1		
43	6LB10208000	RACK-GUIDE-P-SIDE-FR	1	1/P	
44	6LB10209000	RACK-GUIDE-P-SIDE-RR	1	1/KP	
47	6LB10217000	SHAFT-GUIDE-P-SIDE	2	1/P	
53	6LB09014000	SPG-SFFD-SUPT-SF	1	5/P	
54	6LE49743000	STOP-RING-6-5-POM	4	5/P	
55	6LH80128000	ASYB-TABLE-F-PR-TRAY-RBT	1	1/PP	
56	6LH80129000	ASYB-TABLE-R-PR-TRAY-RBT	1	1/PP	
58	6LB39505000	GEAR-5S40-10S16-6-PIT	2	1/P	
59	6LH80150000	ASYB-PLT-JOG-F-PR-TRAY	1	1/D	
101	F0-01493000	DS-02S	2	5/P	
102	C0-10813000	GP1A73ARJ00F	3	1/P	
103	F0-01810000	LWS-0511S-V0	5	5/P	
104	X0-00980000	P/PRL/AH7-2X10-SS	10	10/P	
106	X0-00964000	RR/E-3-SS	4	10/P	
107	X0-00965000	RR/E-4-SS	12	10/P	
108	X0-00059000	S/PAN/SWWS-M3X6-NI	4	10/P	
109	X0-02246000	S/TPP/FHEXM-3X6-NI	6	10/P	
110	X0-02419000	S/TPS/FHEXM/R-3X6-ZU3	12	10/P	
111	X0-02551000	S/PAN/SWWP-M3X6-ZU3	2	10/P	
112	C0-15544000	LG285D1	1	1/P	
113	6LB10609000	ASYB-RLR-SF	2	1/P	
114	6LB08624000	PULLY-S2M30-6-SF	1	1/P	
115	PVB45-00701	CAM METAL	8	1/P	
116	6LH53768000	BUSH-6-NU4	3	1/P	
117	6LB41108000	PLATE-SLIDE-GUIDE	2	1/P	



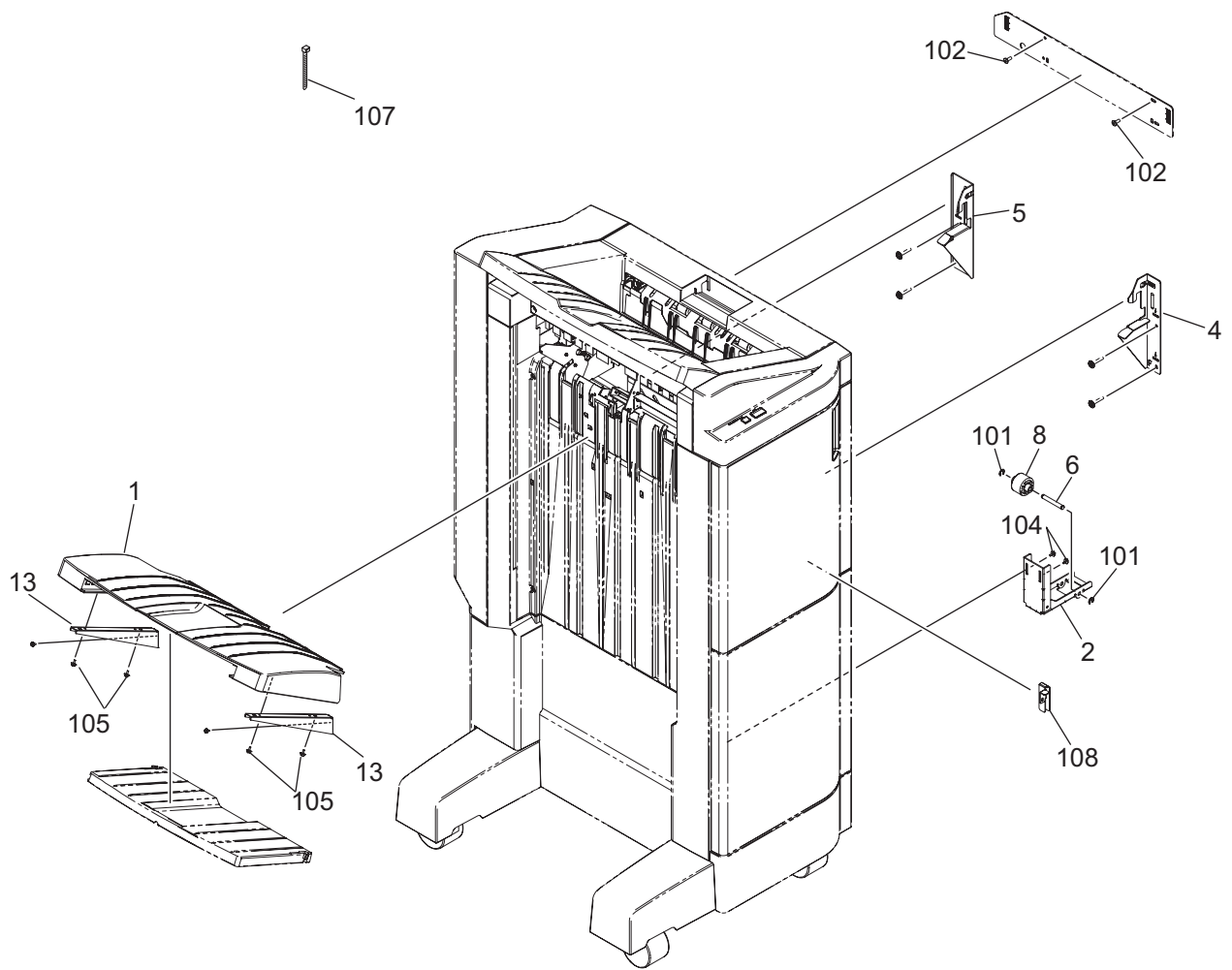
ITEM No.	PART No.	PART NAME	Q'TY / PAGE	Q'TY / PACK	REMARKS
1	6LB1080000	ACT-SEN-R2-BU-C	1	1/P	
2	6LB09815000	ARM-PAPER-PRESS-BUF	2	1/P	
3	6LB10842100	ASYS-FLAP-BU-C-F5330	1	1/D	
4	6LB10846000	ASYS-SOL-LINK-BU-C	1	1/P	
5	6LB10909000	BRKT-FLPA-BU-C	1	1/P	
6	6LB10893000	ASYS-BRKT-SOL-FLP-BU-C	1	1/P	
7	6LK01602000	BRUSH-TRAY-F-BU-C	1	1/KP	
8	6LK01603000	BRUSH-TRAY-R-BU-C	1	1/KP	
9	6LH53768000	BUSH-6-NU4	2	1/P	
10	6LB10910000	ASYS-CVR-BOTTOM-BU-C	1	1/PP	
11	6LK01600000	CVR-UPPER-BU-C-2	1	1/PP	
12	6LB10816000	FRM-SIDE-F-BU-C	1	1/P	
13	6LB10822000	PLT-SD-PIVOT-D-BU-C	1	1/P	
14	6LB08608000	GEAR-FEED-LOW-6	1	1/P	
15	6LB12408000	HRNS-FIN1-A	1	1/P	
16	X0-02380000	P/PRL/AH7-3X25-SS	1	10/P	
17	X0-02379000	P/PRL/AH7-3X35-SS	12	10/P	
18	6LB09952000	PLATE-AST-ARM-BUF	1	1/P	
20	6LB40719000	PLT-CVR-UPPER-BU-PIT	1	1/P	
21	6LB10808000	PLT-SEN-A-BU-C	1	1/P	
22	6LB10899000	RLR-D15XL20-BU-C	4	1/P	
23	6LB10810000	RLR-D20XL20-BU-C	4	1/P	
24	6LB08814000	RLR-FEED-TRY-BU-C	1	1/KP	
25	6LB08401000	SOL-10-SL-BUF	1	1/D	
26	6LB10824000	SPG-AC-BU-C	1	1/C	
27	6LB09947000	SPG-AST-ARM-BUF	2	1/P	
28	6LB10843000	SPG-BTM-BU-C	4	1/P	
29	6LB10826000	SPG-FLP-BU-C	1	1/P	
30	6LB10830000	SPG-UPR1-BU-C	4	1/P	
31	6LB10831000	SPG-UPR2-BU-C	4	1/P	
32	6LB10907100	TRAY-GUIDE-BU-C-F5330	1	1/PP	
34	6LB09889000	FELT-AST-ARM-BUF	1	5/P	
35	6LB40541000	BRUSH-AST-ARM-PIT	1	1/KP	
36	6LB10889000	FILM1-SUPT-TRAY-BU-C	1	1/C	
37	6LB10890000	FILM2-SUPT-TRAY-BU-C	2	1/C	
38	6LB10891000	FILM3-SUPT-TRAY-BU-C	1	1/C	
40	44201492000	BUSH-6-POM	2	5/P	
101	C0-10813000	GP1A73ARJ00F	1	1/P	
102	X0-00980000	P/PRL/AH7-2X10-SS	1	10/P	
103	X0-00966000	RR/E-5-SS	3	10/P	
104	X0-00050000	S/PAN/SWWP-M3X5-NI	4	10/P	
105	X0-02246000	S/TTP/FHEXM-3X6-NI	17	10/P	
106	X0-02419000	S/TPS/FHEXM/R-3X6-ZU3	8	10/P	
107	F0-00521000	SKB-1	1	5/P	
108	X0-01016000	P/SPW/AW-3X10-SS	1	10/P	
109	6LB10924000	RLR-EXIT-BU-C-GR-PLC	4	1/P	
110	6LB30112000	FILM-TRAY-GUIDE-F-PIT	1	1/C	
111	6LB30113000	FILM-TRAY-GUIDE-R-PIT	1	1/C	
112	6LB40718000	PLT-EARTH-FEED-U	1	1/P	
113	X0-02642000	S/TTP/FPAN-3X6-ZB3	4	10/P	

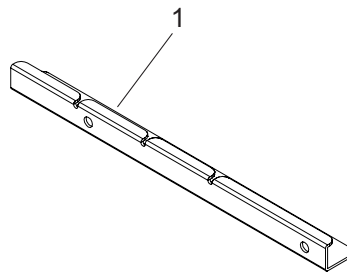
ITEM No.	PART No.	PART NAME	Q'TY / PAGE	Q'TY / PACK	REMARKS
2	6LB09805000	ARM-E-RLR-2-BUF	1	1/P	
5	6LB09897000	ASYS-HLDR-MOTR-BUF	1	1/P	
6	6LB40924000	ASYS-HLDR-TRAY-BUF-PIT2	1	1/P	
8	6LH79901000	MOTR-EXT-RLR-BUF-RBT	1	1/C	
9	6LK01808000	ASYS-MOTR-TRAY-BUF-RBT-2	1	1/C	
10	6LB09824000	ASYS-PLT-TENSSION-BUF	1	1/P	
11	6LB09863000	ASYS-SOL-10-SL-BUF	1	1/D	
16	6LB09829000	BRKT-SOL-BUF	1	1/P	
19	44201492000	BUSH-6-POM	2	5/P	
20	6LB09830000	CAM-SHAFT-BUF	1	1/D	
25	6LB10906000	DMPR-OWHF10-10NLS	1	1/D	
35	4401966400	PLY/T-2GT020-06	1	1/P	
40	6LB09837000	SEESAW-ARM-BUF	1	1/P	
46	6LB08403000	SOL-10LSA-BUF	1	1/D	
48	6LB09005000	SPG-EXT-BUF	2	1/P	
49	6LB09848000	SPG-SEESAW-ARM-BUF	2	1/P	
50	6LH79912000	SPG-TENSION-BUF-RBT	1	1/P	
52	6LB09884000	BRUSH-AST-ARM-BUF	1	1/C	
56	6LB10905000	DMPR-OWHF10-10NRS	1	1/D	
57	6LB09887000	GLOMET-6X8X11	1	5/P	
59	6LK03921000	HRNS-CPL-VI2	1	1/P	
60	6LB12410000	HRNS-FIN2	1	1/P	
61	6LB12420000	HRNS-MG3	1	1/P	
101	F0-01248000	ESC-0912	1	10/P	
102	C0-10813000	GP1A73ARJ00F	2	1/P	
103	F0-00736000	LWS-0711Z	2	5/P	
104	F0-00042000	UAMS-05S-2	2	5/P	
106	X0-01009000	P/SPW/AW-2X10-SS	2	10/P	
107	X0-01016000	P/SPW/AW-3X10-SS	1	10/P	
109	X0-00964000	RR/E-3-SS	1	10/P	
110	X0-00965000	RR/E-4-SS	3	10/P	
111	X0-02030000	S/PAN/SWWP-M3X12-NI	3	10/P	
112	X0-02551000	S/PAN/SWWP-M3X6-ZU3	4	10/P	
114	X0-02419000	S/TPS/FHEXM/R-3X6-ZU3	17	10/P	
116	F0-00199000	TSB-1909N	1	1/P	
117	X0-02420000	S/TPS/FHEXM/R-3X8-ZU3	4	10/P	
118	X0-00050000	S/PAN/SWWP-M3X5-NI	4	10/P	
119	F0-00257000	RSG-100	2	5/P	
120	F0-01810000	LWS-0511S-V0	4	5/P	
121	6LB40933000	FELT-SOL-BUF-PIT	1	5/P	
122	6LK01801000	GUIDE-HRNS-BUF	1	1/P	





ITEM No.	PART No.	PART NAME	Q'TY / PAGE	Q'TY / PACK	REMARKS
1	6LB10813000	ACT-PLT-BU-C	1	1/P	
2	6LB10801000	ACT-TRAY-BU-C	1	1/P	
3	6LK02404000	ASYB-BOX-GEAR-TRAY-2	1	1/D	
4	6LB11081000	PLT-GEAR-HOLD-FRT-TRAY	1	1/P	
6	6LH23442000	BUSH-8X12X8F-NU4	2	5/P	
7	6LB10802000	BUSH-LEVER-BU-C	2	5/P	
8	6LB11033000	SHAFT3-DRV-TRAY	1	1/P	
9	6LB11025000	GEAR-12R5S21-8-TRAY	1	1/P	
10	6LB11035000	SPG-DRV-TRAY	1	1/P	
11	6LB11026000	GEAR-12R5S51-8-TRAY	2	1/P	
12	6LB11082000	PLT-GEAR-HOLD-RER-TRAY	1	1/P	
13	6LB10805000	LEVER-BU-C	2	1/P	
14	6LB10806600	LEVER-TRAY-BU-C-LGFW	1	1/P	
15	6LB10807000	LINK-COV-BTM-BU-C	2	1/P	
16	6LB41914000	LINK-TRAY-PIT-BU-C	2	1/P	
17	6LB10819000	LINK-TRAY-BU-C	2	1/P	
18	6LB10820000	LVR-PLT-SFT-BU-C	2	1/P	
19	X0-01175000	P/PRL/BH7-5X20-SS	4	10/P	
20	6LB10821000	PLATE-LINK-BU-C	2	1/P	
22	6LB10850000	PLT-SPG-TRAY-CH-BU-C	2	1/P	
23	6LB11028000	PULLY-S5M32-8-TRAY	2	1/P	
24	6LB10832000	SD-PIVOT-D-BU-C	2	1/P	
28	6LB11034000	SHAFT4-DRV-TRAY	1	1/P	
31	6LB10828000	SPG-LVR-OPN-F-BU-C	1	1/P	
32	6LB10829000	SPG-LVR-OPN-R-BU-C	1	1/P	
33	6LB12409000	HRNS-FIN1-B	1	1/P	
34	4400802080	BUSH-8	1	5/P	
101	F0-01484000	3382330-30090	4	5/P	
102	F0-01485000	3382330-30250	1	5/P	
103	C0-10813000	GP1A73ARJ00F	1	1/P	
104	X0-01533000	P/PRL/AH7-2X16-SS	3	10/P	
105	X0-00964000	RR/E-3-SS	2	10/P	
106	X0-00966000	RR/E-5-SS	3	10/P	
107	X0-00968000	RR/E-7-SS	7	10/P	
108	X0-02098000	S/PAN/SWWP-M3X30-NI	1	10/P	
109	X0-00059000	S/PAN/SWWS-M3X6-NI	4	10/P	
110	X0-02595000	S/TPD3/FHEXM-3X12-ZU3	4	10/P	
111	X0-02419000	S/TPS/FHEXM/R-3X6-ZU3	16	10/P	
112	X0-02351000	W/PL/SJ0-8-NI	2	5/P	
120	F0-00521000	SKB-1	5	5/P	





TOSHIBA

TOSHIBA TEC CORPORATION

1-11-1, OSAKI, SHINAGAWA-KU, TOKYO, 141-8562, JAPAN