

TOSHIBA

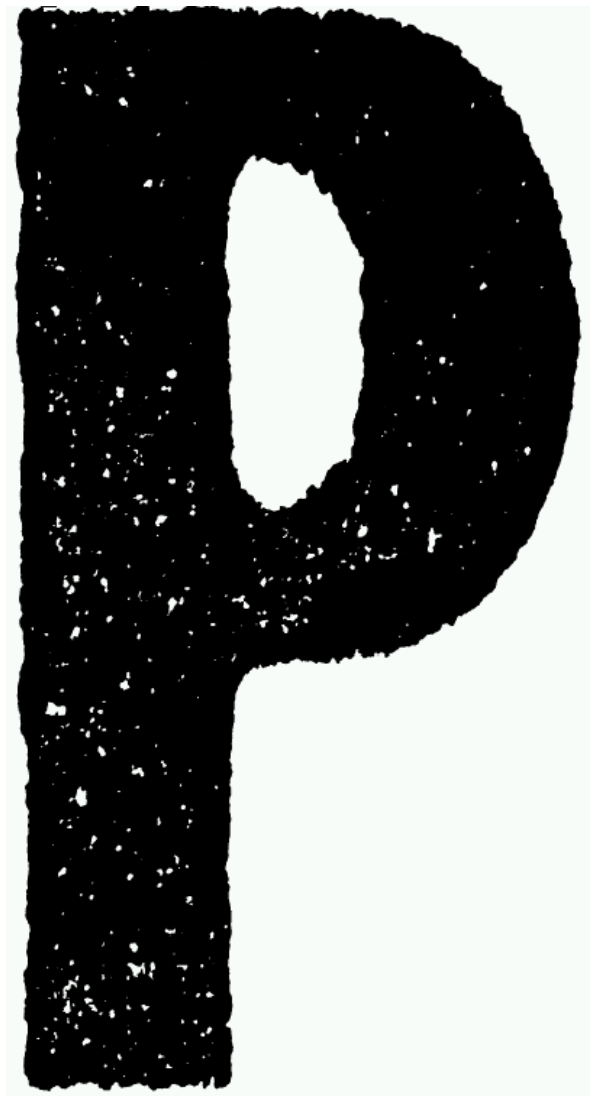
SERVICE PARTS LIST

FINISHER

MJ-1021

HOLE PUNCH UNIT

MJ-6003



Copyright 2002

TOSHIBA TEC CORPORATION

EXPLANATION OF SERVICE-PARTS LIST

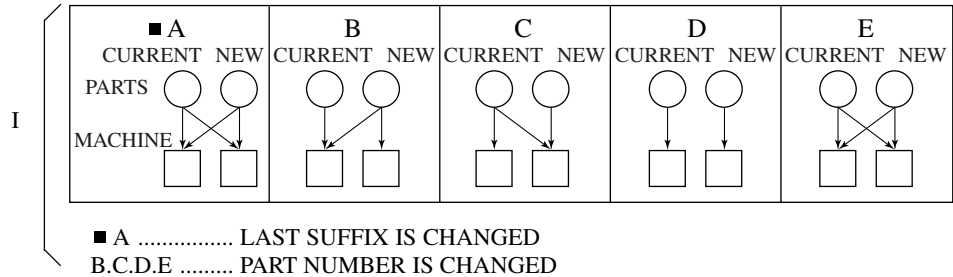
1. HOW TO READ THE PARTS LIST

- (1) Number of pieces
The number of pieces in the list denotes total pieces used per unit. But the numbers in the list for PACKING MATERIAL and ACCESSORY denote total pieces used per machine.
- (2) One pack of screws in the list includes 50 pieces.
- (3) ABBREVIATED CODES

QTY/PAC	QTY	one piece
	PAC	one pack
	1/P	one piece packed in polyethylene bag
	1/S	one piece packed in special pack
	1/C	one piece packed in carton box
	1/PP	one piece packed in paper and polyethylene bag
	1/KP	one piece packed in polyethylene bag with cardboard
	1/D	one piece packed in polyethylene-cushion bag
	1/SB	one piece packed in shielding bag
	N/A	not available

P	P	PURPOSE
	A	ADD
	B	DELETE
	C	CHANGE
	D	QTY, CHANGE
	E	MISENTRY
	F	OMISSION

I INTERCHANGEABILITY STATUS



2. HOW TO PLACE ORDER FOR PARTS

- (1) The parts handled as service parts are only those with their "QTY/PACK" column listed with a quantity other than "N/A****" or "SUPPLY".
Those parts with "N/A****" are listed only for the purpose of showing the mechanical construction, those listed with "SUPPLY" are handled only as a sales item, and therefore both types of parts are not supplied as service parts.
- (2) Orders for any parts which form a component of a semi-assembled unit are not acceptable.
Note: All the screws and nuts used are ISO standard.

3. REGION

NAD	115V/60Hz, UL & CSA
TWD	110V/60Hz, TAIWAN
SAD	127V/60Hz, SAUDI ARABIA
ASD	220V 50/60Hz, ASIA, etc.
AUD	240V/50Hz, AUSTRALIA
MJD	230-240V 50/60Hz, EUROPE
UKD	230-240V 50/60Hz, UNITED KINGDOM

NOTICE EXPLICATIVE DE LA LISTE DES PIÈCES DE RECHANGE

1. COMMENT UTILISER LA LISTE DES PIÈCES DE RECHANGE

(1) Nombre de pièces

Le nombre de pièces indiqué sur la liste est le nombre total de pièces utilisées pour chaque unité.

Toutefois, le nombre indiqué sur la liste EMBALLAGE ACCESSOIRES est le nombre total de pièces utilisées pour chaque machine.

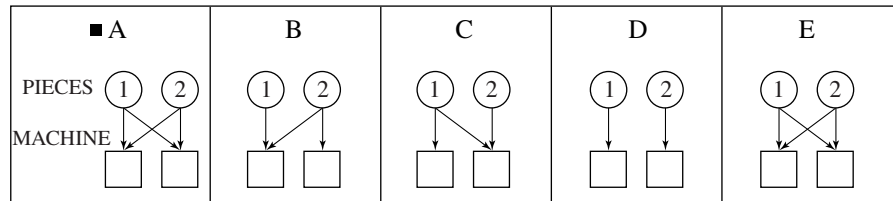
(2) Un paquet de vis indiqué sur la liste contient 50 vis.

(3) ABBREVIATIONS

	QTY	une pièce
	PAC	un paquet
QTY/PAC	1/P	une pièce emballée dans un sac en polyéthylène
	1/S	une pièce emballée dans un sac spécial
	1/C	une pièce emballée dans une boîte en carton
	1/PP	une pièce emballée dans un sac en papier et en polyéthylène
	1/KP	une pièce emballée dans un sac en polyéthylène avec carton
	1/D	une pièce emballée dans un sac rembourré en polyéthylène
	1/SB	une pièce emballée dans
	N/A***	non disponible

P	BUT
A	AJOUTER
B	SUPPRIMER
C	MODIFIER
D	CHANGEMENT DE QUANTITE
E	INSCRIPTION ERRONEE
F	OMISSION

I INTERCHANGEABILITE



① ACTUELLE ② NOUVELLE
 ■ A LE DERNIER SUFFIXE EST CHANGE
 B.C.D.E LE NOMBRE DE PIÈCES EST CHANGE

2. COMMENT COMMANDER LES PIÈCES

(1) Les pièces de rechange sont uniquement celles qui sont mentionnées dans la colonne "QTY/PACK" avec une quantité autre que "N/A***" ou "SUPPLY".

Les pièces dans la colonne "N/A***" sont mentionnées uniquement dans le but d'indiquer la construction mécanique. Les pièces dans la colonne "SUPPLY" sont destinées uniquement à la vente. Par conséquent, ces deux types de pièces ne sont pas fournies en tant que pièces de rechange.

(2) Les commandes de toute pièce formant un élément ou une unité semi-assemblée ne seront pas acceptées.

Nota: Toutes les vis et tours le écrous seront conformes au code ISO.

3. PAYS

NAD	115V/60Hz, UL & CSA
TWD	110V/60Hz, TAIWAN
SAD	127V/60Hz, ARABIE SAOUDITE
ASD	220V
	50/60Hz, ASIE, etc.
AUD	240V/50Hz, AUSTRALIE
MJD	230-240V
	50/60Hz, EUROPE
UKD	230-240V
	50/60Hz, ROYAUME-UNI

ERKLÄRUNG DES ERSATZTEIL-KATALOGES

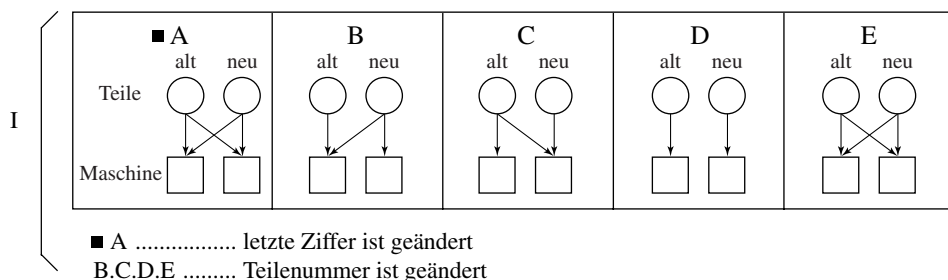
1. WIE LIEST MAN DIE TEILELISTE?

- (1) Die Teileanzahl
Die Anzahl der Teile in der Liste, drücken die gesamten Teile pro Verpackungseinheit aus. Aber die Zahl in der Liste "Packing" (Verpackung) und "Accessory" (Zubehör) beschreibt die gesamte Teileanzahl pro Maschine.
- (2) Eine Verpackungseinheit SCHRAUBEN enthält 50 Stück.
- (3) Abkürzungscode

QTY/PAC	QTY Stück PAC Packung 1/P ein Stück in einem Plastikbeutel 1/S ein Stück in einer Spezialverpackung 1/C ein Stück in einem Karton 1/PP ein Stück in Papier und einem Plastikbeutel 1/KP ein Stück in einem Plastikbeutel mit Pappdeckel 1/D ein Stück in einem gepolsterten Plastikbeutel N/A nicht lieferbar 1/SB ein Stück in einer Schutzhülle
---------	--

P	P Zweck A Zusätzlich B Entfernen C Ändern D Menge geändert E Fehlangebe F Weglassen
---	---

I Austauschbar untereinander



2. WIE WERDEN ERSATZTEILE BESTELLT?

- (1) Die Ersatzteile für den Service haben in der Spalte "QTY/PACK" eine Nummer.
Die Teile mit der Angabe "N/A***" sind nur aufgeführt, um die technische Konstruktion zu zeigen und sind einzeln nicht lieferbar.
Die Bezeichnung "SUPPLY" weist darauf hin, daß dieses Teil als Zubehör gehandelt wird und beim Verkauf bestellt werden muß.
- (2) Bestellungen für Einzelteile, die einer Baueinheit angehören können nicht akzeptiert werden.
Hinweis: Alle Schrauben und Muttern werden nach dem ISO-Standard hergestellt.

3. REGION

NAD 115V/60Hz, UL & CSA
TWD 110V/60Hz, TAIWAN
SAD 127V/60Hz, SAUDI-ARABIEN
ASD 220V 50/60Hz, ASIEN, usw.
AUD 240V/50Hz, AUSTRALIEN
MJD 230-240V 50/60Hz, EUROPA
UKD 230-240V 50/60Hz, GROSSBRITANNIEN

SPIEGAZIONE DELLA LISTA DEI PEZZI DI RICAMBIO

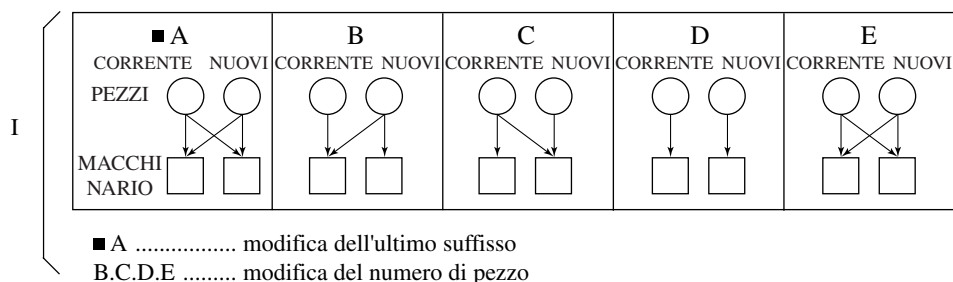
1. COME LEGGERE LA LISTA DEI PEZZI DI RICAMBIO

- (1) Numero dei pezzi
Il numero dei pezzi indica il totale dei pezzi per elemento. I numeri nella lista del materiale d'imballaggio e accessori indicano il totale dei pezzi per macchina.
- (2) Nella lista, un pacco di viti contiene 50 viti.
- (3) ABBREVIAZIONI

QTY/PAC	QTY un pezzo PAC un pacco 1/P un pezzo imballato in sacco di polietilene 1/S un pezzo imballato in pacco speciale 1/C un pezzo imballato in scatola di cartone 1/PP un pezzo imballato in sacco di polietilene e carta 1/KP un pezzo imballato in sacco di polietilene con cartone 1/D un pezzo imballato in sacco morbido di polietilene 1/SB un pezzo imballato in sacco di protezione N/A non disponibile
---------	---

P	P scopo A aggiunta B annullamento C modifica D modifica QTY E ingresso errato F omissione
---	---

I stato di intercambiabilità



2. ORDINAZIONE DEI PEZZI

- (1) I pezzi usati come pezzi di ricambio sono elencati nella colonna "QTY/PACK" con una quantità differente da "N/A***" o "SUPPLY".
I pezzi con "N/A***" sono elencati solamente per mostrare la costruzione meccanica e quelli con "SUPPLY" sono elencati solamente come articoli di vendita: ciò significa che questi due tipi di pezzi non sono forniti come pezzi di ricambio.
- (2) L'ordinazione dei pezzi non viene accettata quando questi pezzi formano un componente di un messo elemento.
Nota: Tuttle le viti e i dadi sono standard ISO.

3. NAZIONE

NAD	115V/60Hz, UL & CSA
TWD	110V/60Hz, TAIWAN
SAD	127V/60Hz, ARABIA SAUDITA
ASD	220V 50/60Hz, ASIA, ecc.
AUD	240V/50Hz, AUSTRALIA
MJD	230-240V 50/60Hz, EUROPA
UKD	230-240V 50/60Hz, GRAN BRETAGNA

EXPLICACION DE LA LISTA DE PIEZAS DE SERVICIO

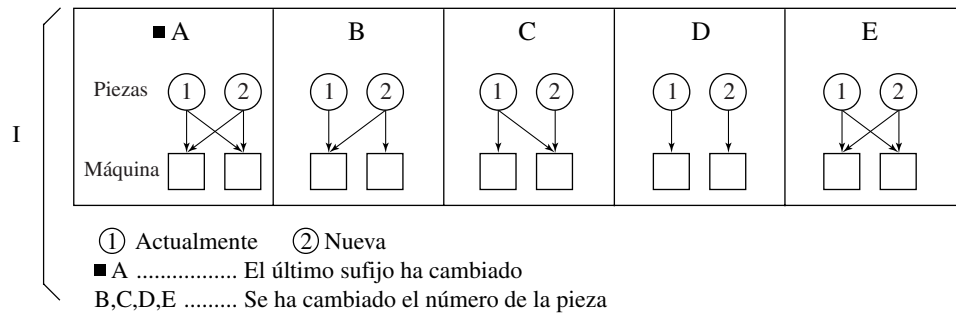
1. Cómo se lee la lista de piezas

- (1) El número de piezas
El número de piezas en la lista especifica las piezas totales usada pou unidad, mientras que el número en la lista para METERIAL DE EMBALAJE y ACCESORIOS especifica las piezas totales usadas por máquina.
- (2) En el paquete de tornillos se incluyen 50 unidades.
- (3) Códigos abreviados

QTY/PAC	{	QTY	una pieza
		PAC	una paquete
		1/P	una pieza empaquetada en la bolsa de politileno
		1/S	una pieza empaquetada en paquete especial
		1/C	una pieza empaquetada en caja de cartón
		1/PP	una pieza empaquetada en papel y bolsa de politileno
		1/KP	una pieza empaquetada en bolsa de politileno con cartón
		1/D	una pieza empaquetada en bolsa almohadillada de politileno
1/SB	una pieza empaquetada en una		
N/A	bolsa protegida		

P	{	P	PROPOSITO
		A	AÑADIR
		B	BORRAR
		C	CAMBIO
		D	CANTIDAD, CAMBIO
		E	ENTRADA ERRONEA
		F	OMISION

I SITUACION DE INTERCAMBIABILIDAD



2. Cómo realizar un pedido de piezas

- (1) Las piezas consideradas como piezas de servicio son sólo aquellas designadas con Q'TY/PACK y no las designadas con N/A ... o SUPPLY.
Aquellas piezas con N/A ... se ponen en lista sólo con el propósito de mostrar la construcción mecánica. Aquéllas piezas designadas bajo SUPPLY se consideran sólo como un artículo para ventas y por lo tanto ambos tipos de piezas no se consideran como piezas de servicio.
- (2) Los pedidos para cualquier pieza que forme un componente de la unidad semiensamblada no será aceptados.
NOTA: todos los tornillos y tuercas son del estandar ISO.

3. PAISES

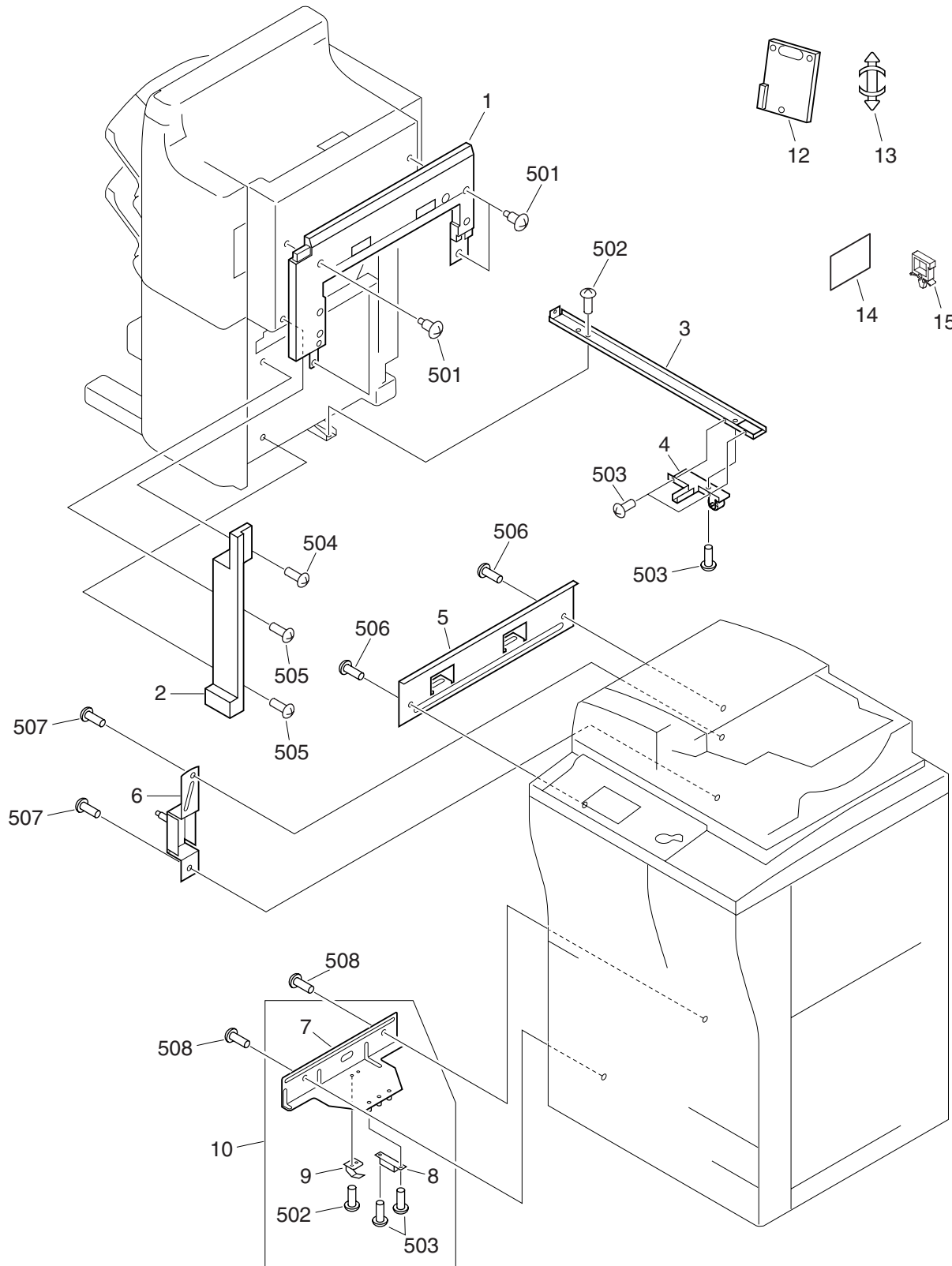
NAD	115V/60Hz, UL & CSA
TWD	110V/60Hz, TAIWAN
SAD	127V/60Hz, SAUDI ARABIA
ASD	220V
	50/60Hz, ASIA, etc.
AUD	240V/50Hz, AUSTRALIA
MJD	230-240V
	50/60Hz, EUROPA
UKD	230-240V
	50/60Hz, GRAN BRETAÑA

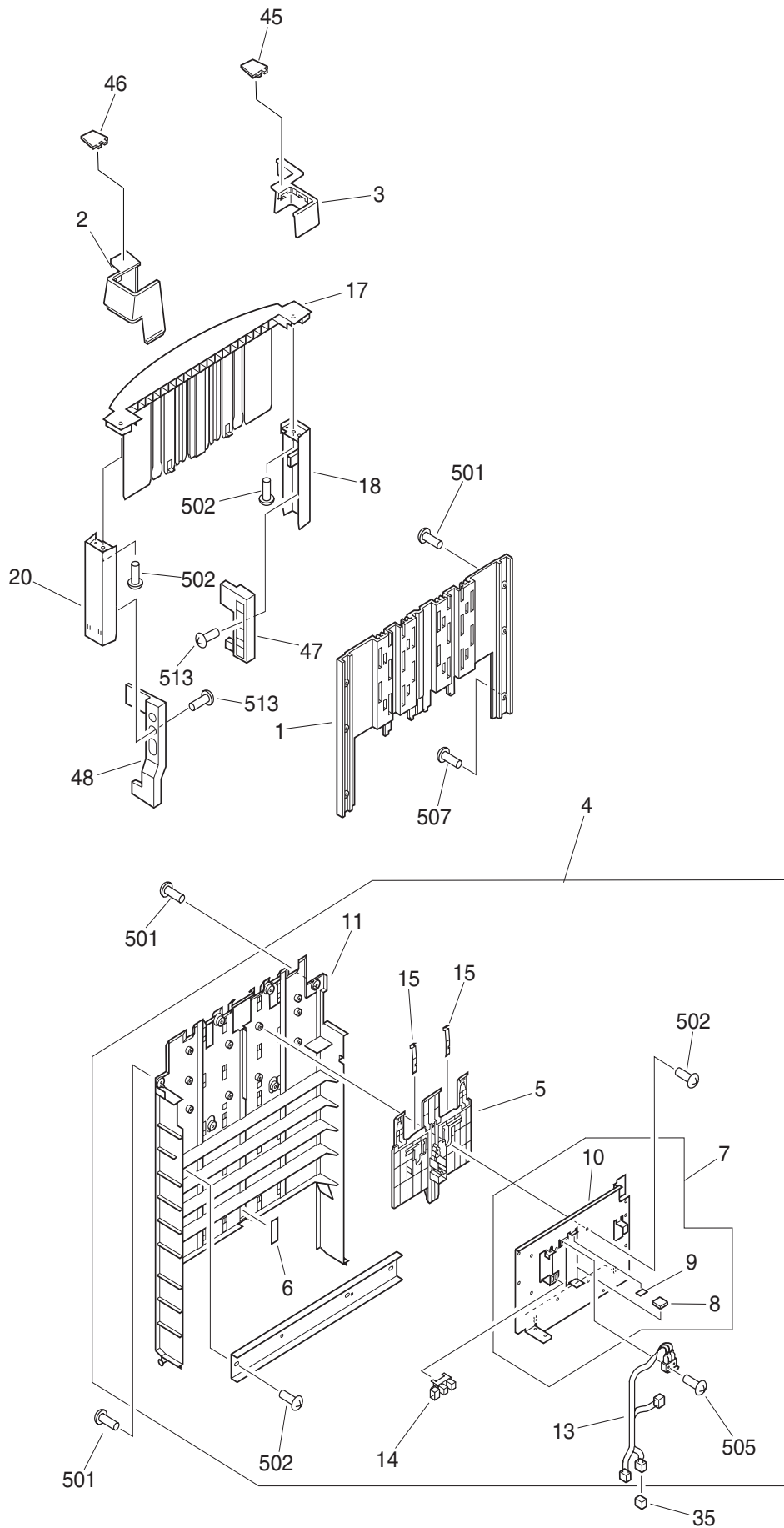
CONTENTS (MJ-1021)

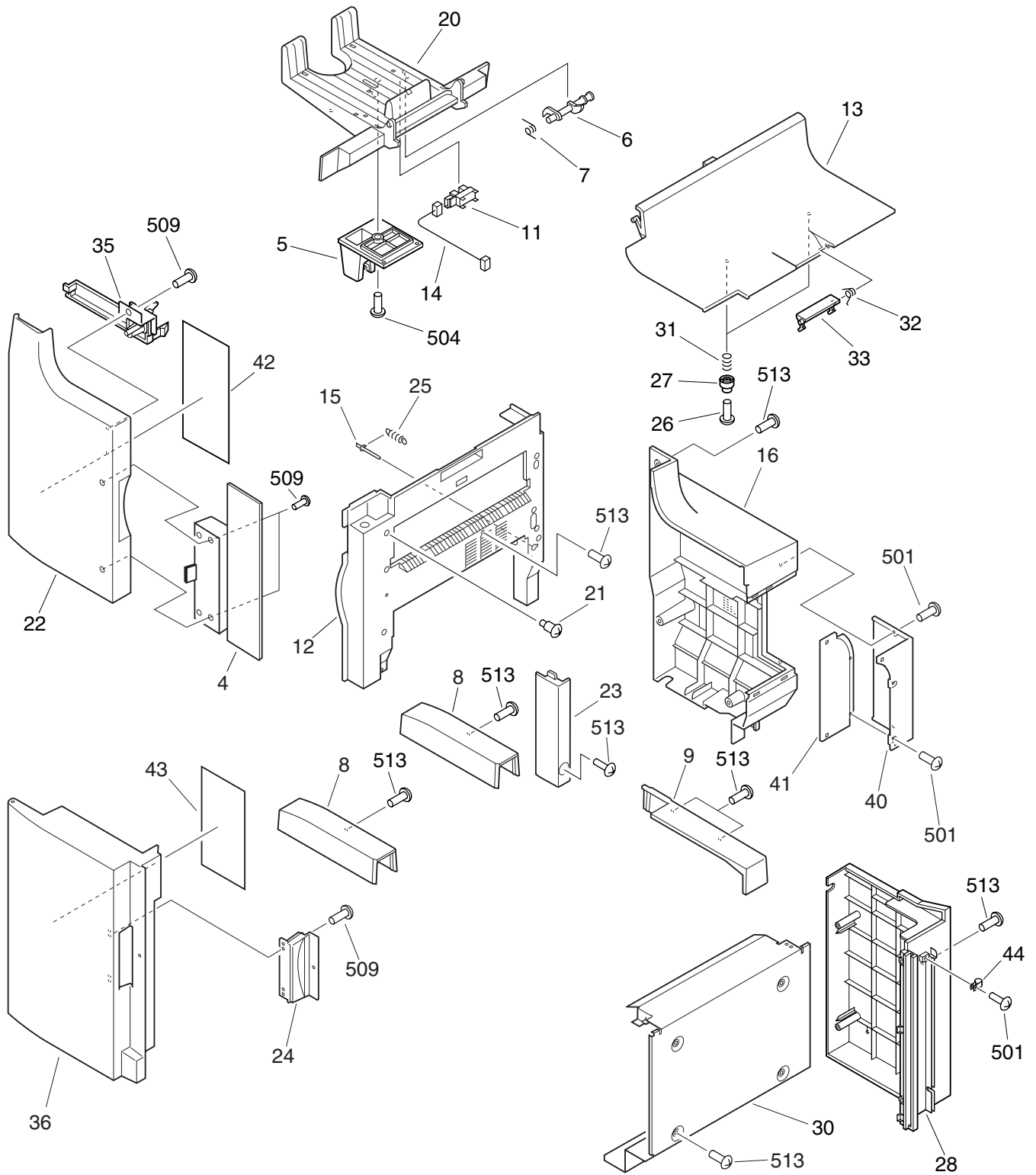
1. ATTACHMENT PARTS	1
2. EXTERNAL COVERS, PANELS, ETC. (1/2)	2
3. EXTERNAL COVERS, PANELS, ETC. (2/2)	3
4. FINISHER MAIN BODY (1/2)	4
5. FINISHER MAIN BODY (2/2)	5
6. CABLE MAIN BODY ASSEMBLY	6
7. UPPER TRAY ASSEMBLY	7
8. LOWER TRAY ASSEMBLY	8
9. FEEDER DRIVE ASSEMBLY	9
10. FEEDER ASSEMBLY (1/2)	10
11. FEEDER ASSEMBLY (2/2)	11
12. CENTER FEEDER ASSEMBLY	12
13. BUFFER UPPER GUIDE ASSEMBLY	13
14. INLET FEEDER ASSEMBLY	14
15. SWING ASSEMBLY	15
16. SWING GUIDE ASSEMBLY	16
17. STAPLER TRAY ASSEMBLY (1/2)	17
18. STAPLER TRAY ASSEMBLY (2/2)	18
19. STAPLER ASSEMBLY	19
20. SADDLE ASSEMBLY (1/3) (MJ-1018)	20
22. SADDLE ASSEMBLY (2/3) (MJ-1018)	22
23. SADDLE ASSEMBLY (3/3) (MJ-1018)	23
24. SADDLE GUIDE ASSEMBLY (MJ-1018)	24
25. STAPLER ASSEMBLY (MJ-1018)	25
26. PASS LOWER GUIDE ASSEMBLY (MJ-1018)	26
27. INNER SIDE PLATE ASSEMBLY (MJ-1018)	27
28. SADDLE DELIVERY ASSEMBLY (MJ-1018)	28
29. MOTOR MOUNT ASSEMBLY (MJ-1018)	29
30. LATCH ASSEMBLY	30
31. ACCESSORIES/SUPPLY	31

PARTS NUMBER INDEX

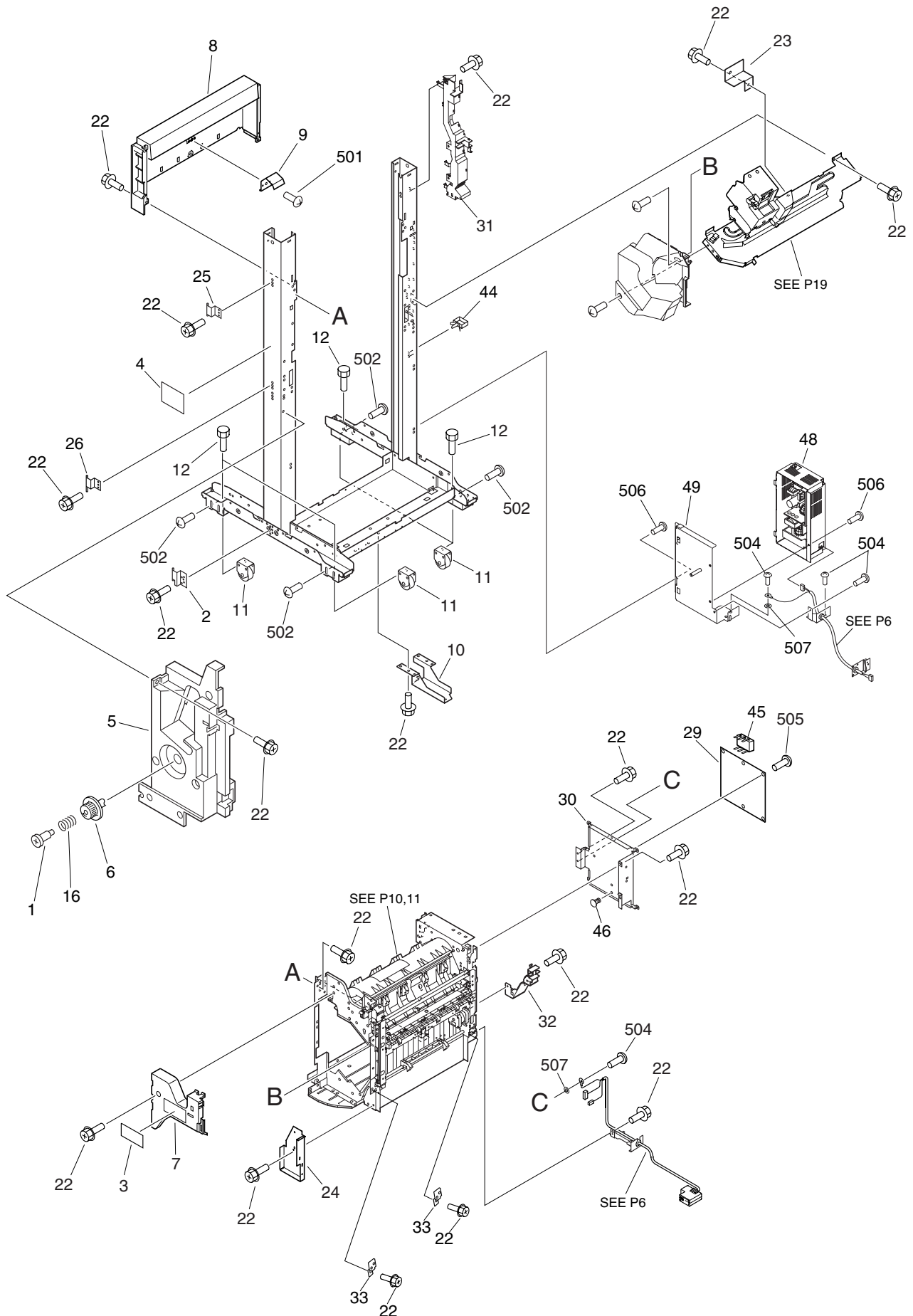
*Page 21 is blank.



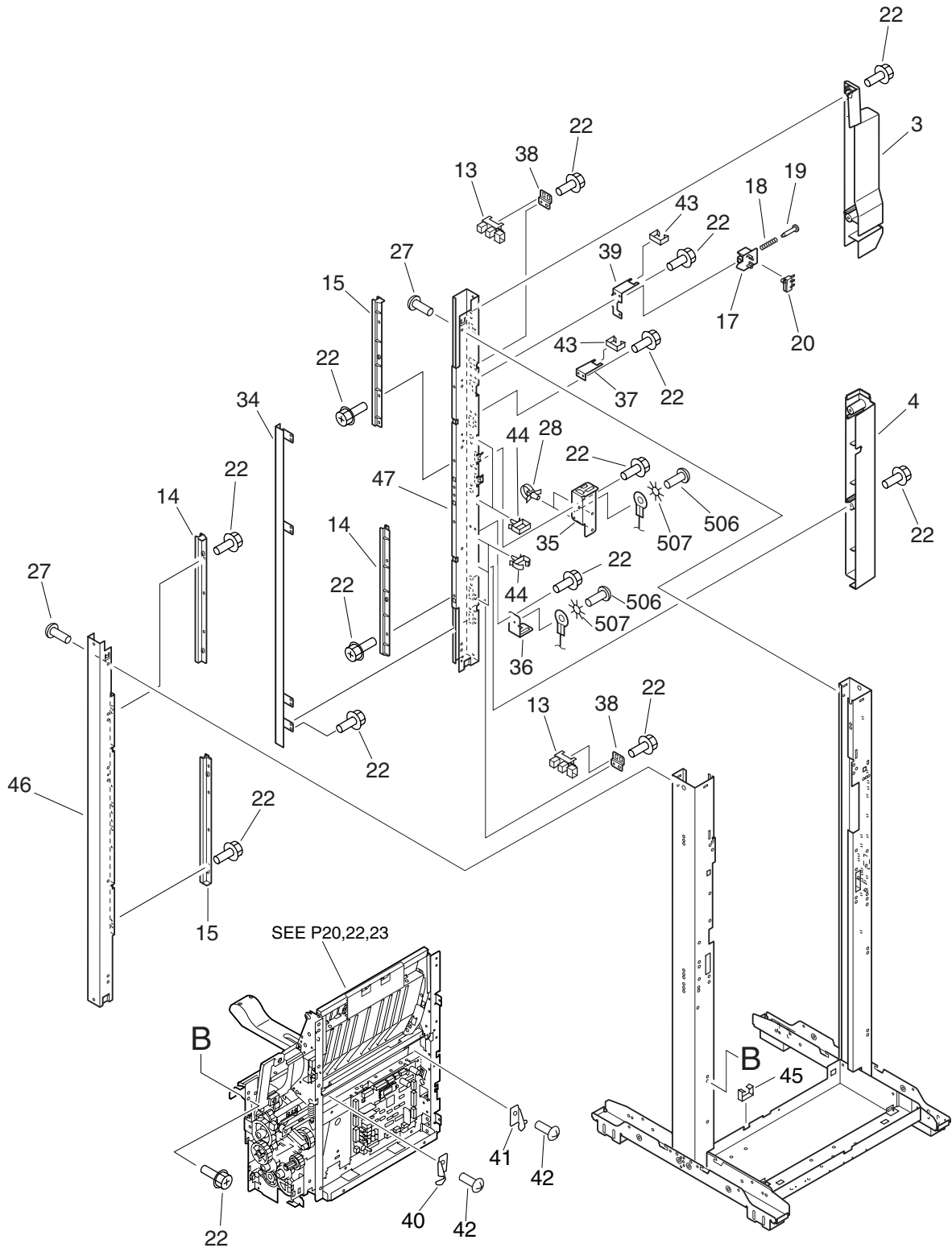


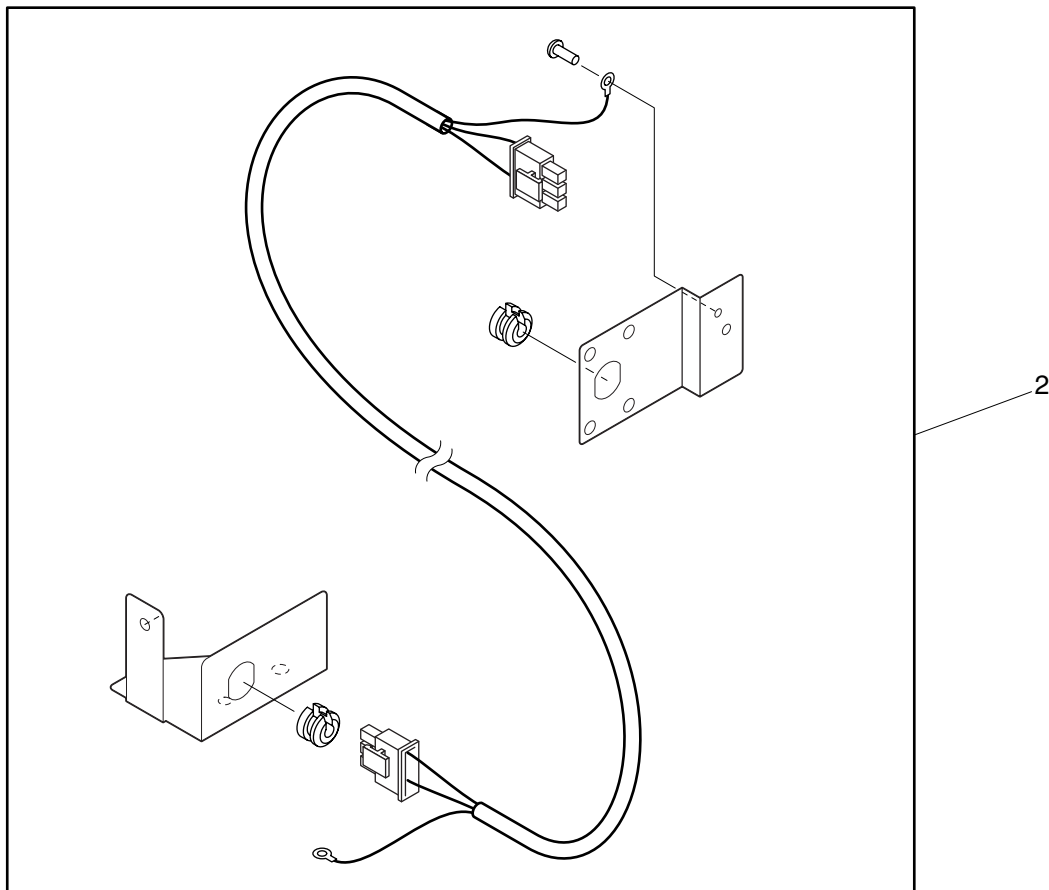
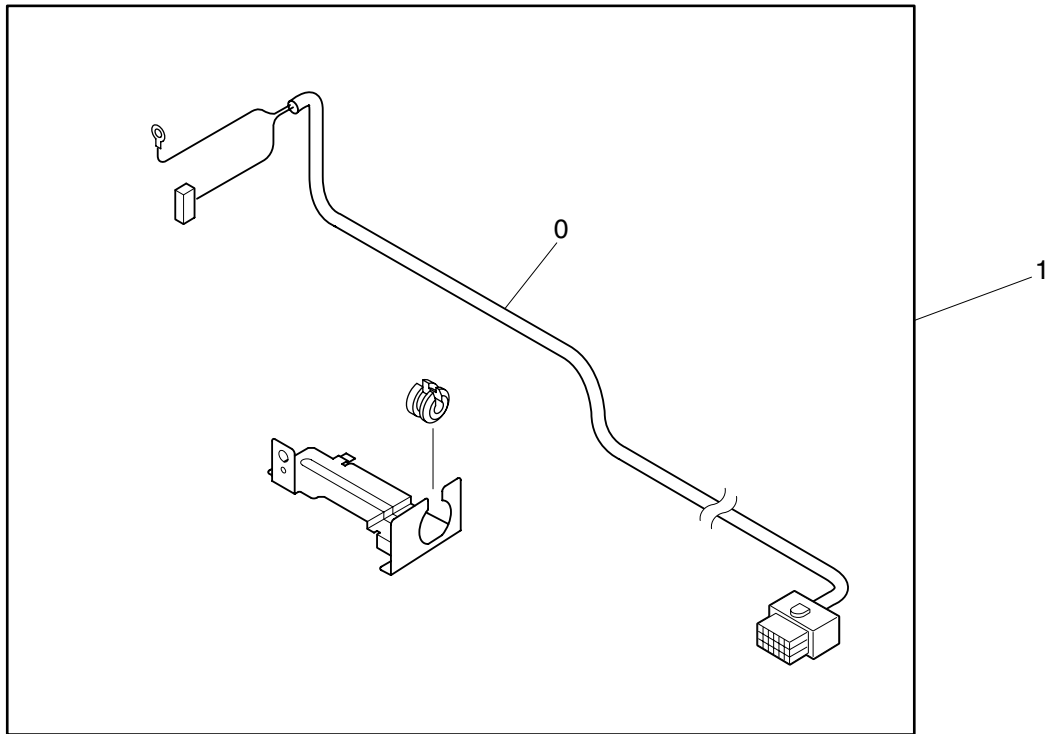


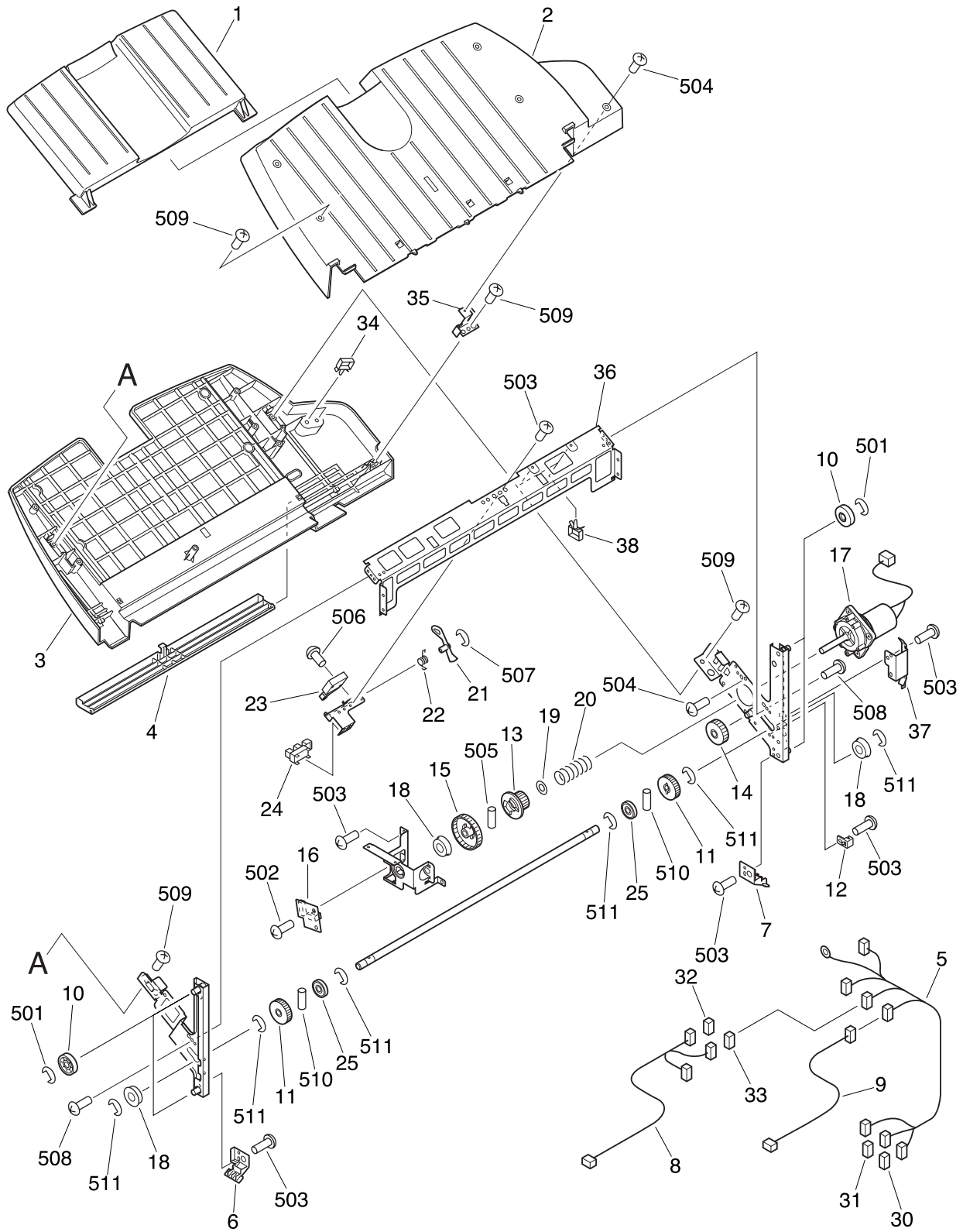
ITEM NO.	PARTS NO.	PARTS NAME	QTY / PAGE	QTY / PACK	PIR	BSI NO.	TO	FROM	SERIAL NO.	REMARKS	C
4	6LA54511000	COV-F-552	1	1/PP							
5	44209616000	COV-SENS-TRAY	1	1/P							
6	44209611000	LEVER-SENSOR	1	1/P							
7	4402966290	SPRING	1	5/P							
8	44209634000	COV-BOTTOM-A	2	1/P							
9	44209635000	COV-BOTTOM-B	1	1/PP							
11	4402962800	SCO-TLP1242 (C6)	1	1/C							
12	6LA54512000	GUID-R	1	1/PP							
13	6LA54513000	COV-TOP-552	1	1/PP							
14	44209663000	WIRE-HARNES	1	1/P							
15	44210701000	FLAG-SENSOR	1	1/P							
16	6LA54514000	COV-R-552	1	1/PP							
20	6LA54515000	TRAY-STACK	1	1/PP							
21	44209653000	SCREW-M4	4	10/P							
22	6LA54516000	COV-F-U	1	1/PP							
23	44209671000	COV-REAR-R-L	1	1/P							
24	44209600000	COV-LATCH-B	1	1/P							
25	4402349880	SPRING	1	5/P							
26	44209660000	SCREW	2	10/P							
27	4402960500	SPACER-795	2	5/P							
28	6LA58282000	COVER-REAR	1	1/PP							
30	4402966590	COVER-R-B	1	1/PP							
31	44209662000	SPC	2	5/P							
32	4402349630	SPRING	1	5/P							
33	44209630000	LATCH	1	1/P							
35	44209606000	PLATE	1	1/P							
36	44209673000	COV-F-L	1	1/PP							
40	44209596000	COV-CONNECT-1	1	1/PP							
41	44209597000	COV-CONNECT-2	1	1/P							
42	6LA58118000	LABEL-JAM-561	1	1/KP							
43	44209674000	LABEL-STAPLER	1	1/KP							
44	6LA58289000	CLIP	1	5/P							
501	4402352090	SCRW-XB47401207	6	50/P							
504	XO-01286000	S/BID-M4X8-NC	1	10/P							
509	4402961210	SCREW-M4*8	5	10/P							
513	4400792330	SCREW-RS-M4	25	50/P							



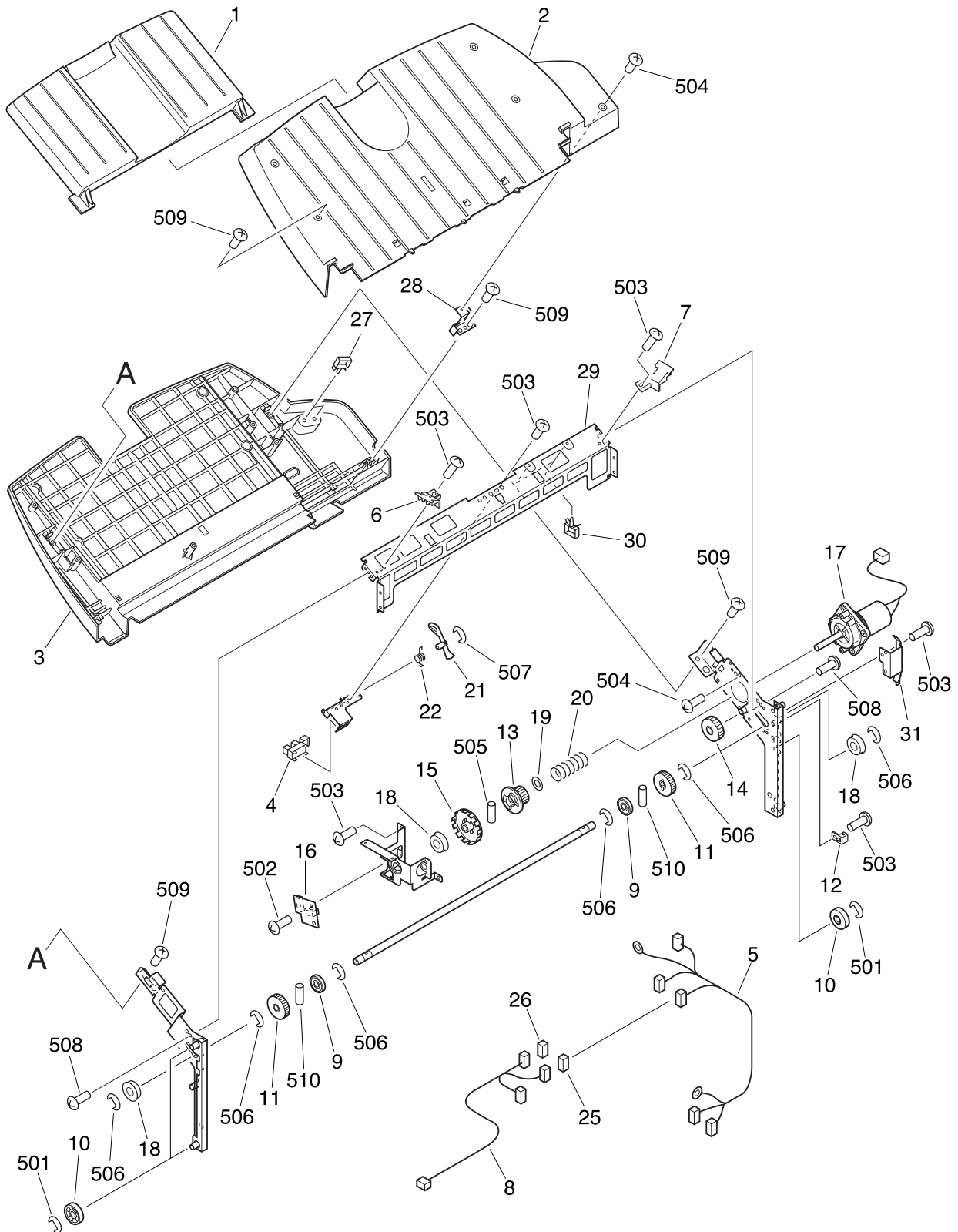
ITEM NO.	PARTS NO.	PARTS NAME	Q'TY / PAGE	Q'TY / PACK	P	I	R	BSI NO.	TO	T	FROM	SERIAL NO.	REMARKS	C
1	4402967010	SCREW-F502	1	10/P										
2	44209684000	PLATE-HINGE-L	1	1/P										
3	6LA58119000	LBL-CAUTION-561	1	1/KP										
4	6LA54799000	LBL-4B11053	1	1/P										
5	6LA54581000	COV-INNER	1	1/PP										
6	4402966840	HANDLE	1	1/P										
7	44209679000	COV-INNER	1	1/PP										
8	44209626000	BASE-SLIDE	1	1/PP										
9	44210735000	SPL	1	1/P										
10	44221071000	BRKT-FIN-548	1	1/P										
11	44221070000	CASTER-548	4	1/P										
12	44210738000	SCREW	4	10/P										
16	4402967020	SPRING	1	5/P										
21	4402966990	PLATE-COVER-B	1	1/P										
22	4400792330	SCREW-RS-M4	2	150/P										
23	6LA58283000	BRKT-STAPLE	1	1/P										
24	4402966980	PLATE-COVER-A	1	1/P										
25	44209682000	PLATE-HINGE-U	1	1/P										
26	44209683000	PLATE-HINGE-M	1	1/P										
29	6LA58120000	PWA-LGC-561	1	1/SB										
30	6LA58121000	BRKT-PCB-561	1	1/P										
31	6LA58122000	GUID-CABLE-561	1	1/P										
32	6LA54520000	GUID-CABLE-B	1	1/PP										
33	6LA54649000	PLATE-FINISHER	2	1/P										
43	6LA54527000	COV-BUN	1	1/PP										
44	6LA54620000	CLIP	1	5/P										
45	6LA58123000	PRA-561FIN-00	1	1/S										
46	4402961060	SPACER-PCB	4	10/P										
47	6LA58124000	COVER-STAPLER	1	1/PP										
48	6LA58125000	BOX-AC-561	1	1/C										
49	6LA58126000	STAY-AC-561	1	1/P										
501	44209690000	SCREW-M4*6	1	10/P										
502	4402015660	TPAN-XB67500609	4	10/P										
504	X0-01748000	S/BID-M4X4-ZB	4	10/P										
505	X0-00431000	S/BID-M3X6-ZB	5	10/P										
506	X0-00449000	S/BID-M4X6-NI	4	10/P										
507	7402204008	2TWAS040SSDG	2	50/P										



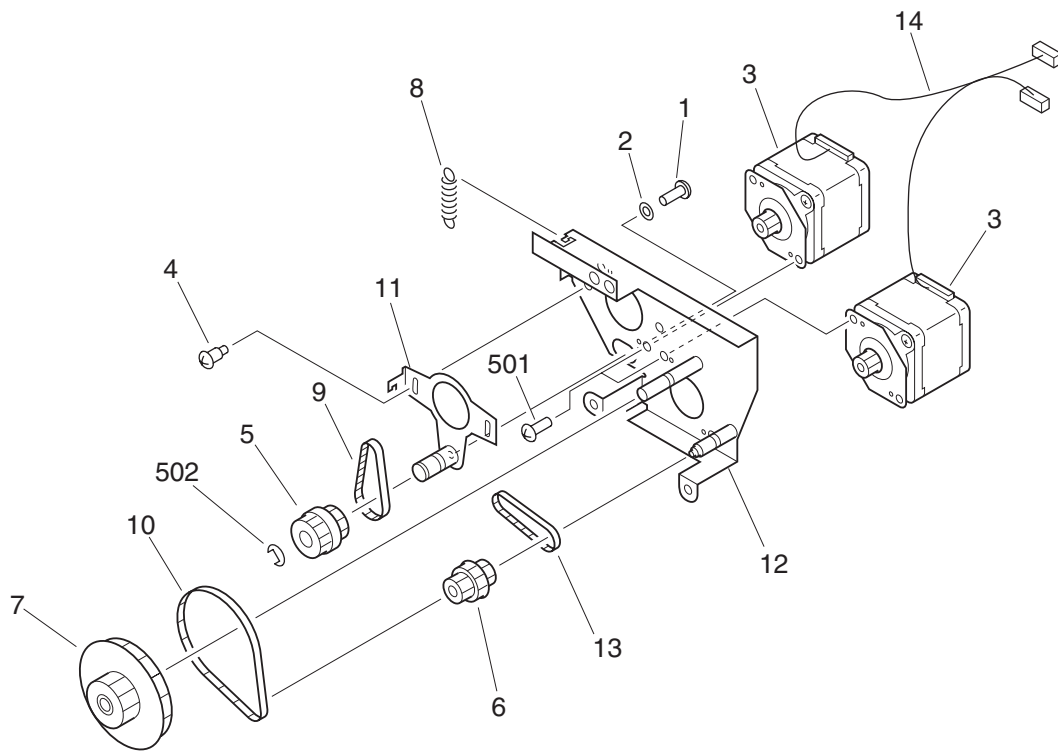




ITEM NO.	PARTS NO.	PARTS NAME	Q'TY / PAGE	Q'TY / PACK	P	I	R	BSI NO.	TO	T	FROM	SERIAL NO.	REMARKS	C
0	6LA54588000	ASY-TRAY	1	1									UPPER TRAY	
1	6LA54566000	TRAY-SUB	1	1										
2	6LA54567000	TRAY-U	1	1										
3	6LA54568000	TRAY-L	1	1										
4	6LA54589000	LEVER-TRAY	1	1										
5	6LA54590000	WIRE-HARNESS	1	1										
6	6LA54591000	COLLAR	1	5										
7	6LA54592000	COLLAR	1	5										
8	6LA54572000	WIRE-HARNESS	1	1										
9	6LA54593000	WIRE-HARNESS	1	1										
10	6LA54574000	COLLAR	1	4										
11	6LA54575000	GEAR-26T	2	1										
12	6LA54576000	SLIDER	1	1										
13	6LA54577000	GEAR-18T	1	1										
14	6LA54578000	GEAR-25T	1	1										
15	4402961380	CAM	1	1										
16	4402961390	PWA-SENSOR	1	1										
17	44209710000	MOTOR	1	1										
18	4402355800	BUSHING	3	5										
19	4402350690	WASHER	1	10										
20	4402350650	SPRING	1	5										
21	6LA54559000	LEVER	1	1										
22	6LA54560000	SPRING	1	5										
23	6LA54561000	MICROSWITCH	1	1										
24	44209666000	PHOTO INTERRUPTER	1	1										
25	6LA54562000	GEAR	2	1										
30	4402352940	CONNECTOR	1	1										
31	4402969300	CONNECTOR	1	1										
32	4402352940	CONNECTOR	1	1										
33	4402969300	CONNECTOR	1	1										
34	6LA54620000	CLIP	1	5										
35	6LA54621000	BRKT-HOLDER	1	1										
36	6LA54622000	BRKT-TRAY	1	1										
37	6LA54623000	BRKT-SENSOR-U	1	1										
38	4402346920	CLIP	1	5										
501	4402016800	ERRING-5	4	50										
502	X0-00431000	S/BID-M3X6-ZB	1	10										
503	X0-01747000	S/BID-M4X6-ZB	8	10										
504	X0-01815000	S/FPAN-M3X6-ZB	3	10										
505	7432201608	HPIN20/16SS	1	50										
506	X0-01745000	S/BID-M3X14-ZB	1	10										
507	6LA54563000	ERR-XD21100320	1	5										
508	6LA54564000	SCREW	6	10										
509	4402961720	SCREW-M4*12	8	10										
510	7432301608	HPIN30/16SS	2	50										
511	4402016830	ERRING-6.4	6	50										

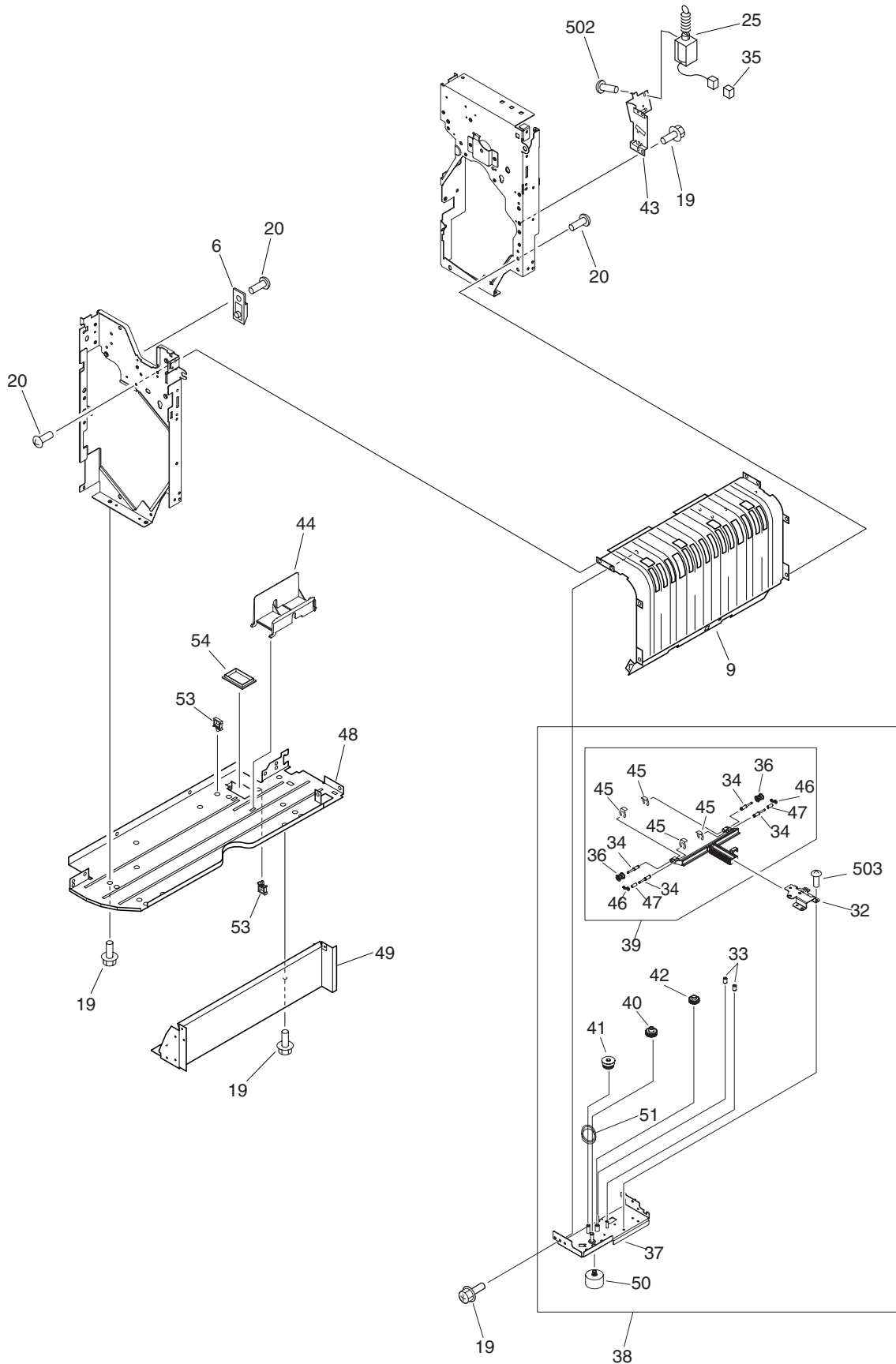


ITEM NO.	PARTS NO.	PARTS NAME	Q'TY / PAGE	Q'TY / PACK	P	I	R	BSI NO.	TO	T	FROM	SERIAL NO.	REMARKS	C
0	6LA54565000	ASY-TRAY	1	1									LOWER TRAY	
1	6LA54566000	TRAY-SUB	1	1										
2	6LA54567000	TRAY-U	1	1										
3	6LA54568000	TRAY-L	1	1										
4	44209666000	PHOTO INTERRUPTER	1	1										
5	6LA54569000	WIRE-HARNESS	1	1										
6	6LA54570000	COLLAR	1	5										
7	6LA54571000	COLLAR	1	5										
8	6LA54572000	WIRE-HARNESS	1	1										
9	6LA54562000	GEAR	2	1										
10	6LA54574000	COLLAR	4	5										
11	6LA54575000	GEAR-26T	2	1										
12	6LA54576000	SLIDER	1	1										
13	6LA54577000	GEAR-18T	1	1										
14	6LA54578000	GEAR-25T	1	1										
15	4402961380	CAM	1	1										
16	4402961390	PWA-SENSOR	1	1										
17	44209710000	MOTOR	1	1										
18	4402355800	BUSHING	3	5										
19	4402350690	WASHER	1	10										
20	4402350650	SPRING	1	5										
21	6LA54559000	LEVER	1	1										
22	6LA54560000	SPRING	1	5										
25	4402352940	CONNECTOR	1	1										
26	4402969300	CONNECTOR	1	1										
27	6LA54620000	CLIP	1	5										
28	6LA54621000	BRKT-HOLDER	1	1										
29	6LA54622000	BRKT-TRAY	1	1										
30	4402346920	CLIP	1	5										
31	6LA54624000	BRKT-SENSOR-D	1	1										
501	4402016800	ERRING-5	4	50										
502	X0-00431000	S/BID-M3X6-ZB	1	10										
503	X0-01747000	S/BID-M4X6-ZB	8	10										
504	X0-01815000	S/FPAN-M3X6-ZB	3	10										
505	7432201608	HPIN20/16SS	1	50										
506	4402016830	ERRING-6.4	6	50										
507	6LA54563000	ERR-XD21100320	1	5										
508	6LA54564000	SCREW	6	10										
509	4402961720	SCREW-M4*12	8	10										
510	7432301608	HPIN30/16SS	2	50										



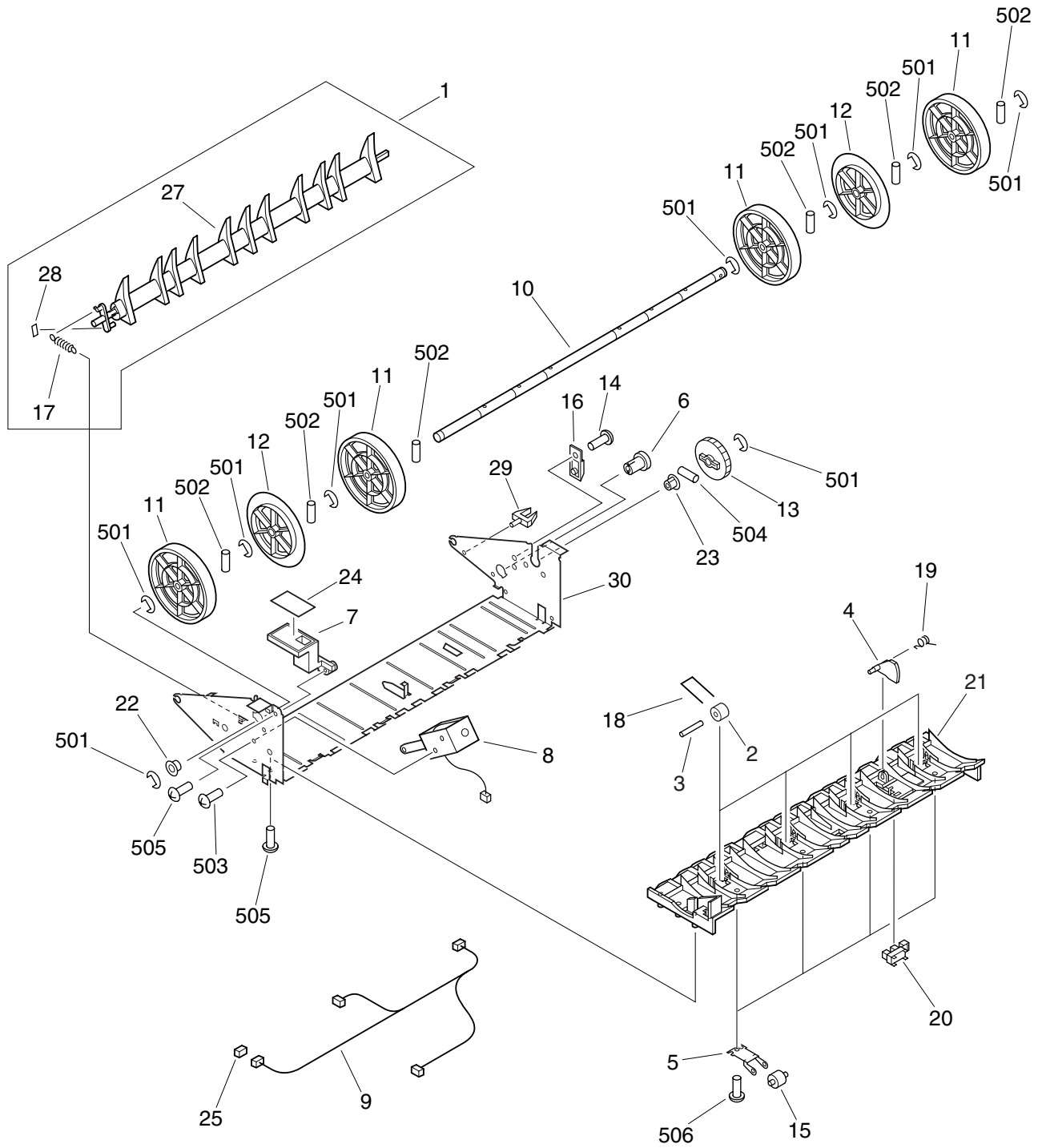
NOTE : This assembly is included in the assembly shown in P10, 11.

ITEM NO.	PARTS NO.	PARTS NAME	QTY / PAGE	QTY / PACK	PIR	BSI NO.	TO	FROM	SERIAL NO.	REMARKS	C
0	6LA54594000	ASM-DRIVE-FEED	1	1/C							
1	4402351470	SCREW	1	50/P							
2	44209713000	WASHER	1	10/P							
3	6LA54528000	MOTOR	2	1/C							
4	4407839560	SCREW-M3	2	50/P							
5	6LA54529000	GEAR	1	1/P							
6	6LA54530000	GEAR-3	1	1/P							
7	44209717000	GEAR-25T/P85T	1	1/P							
8	44209718000	SPE	1	5/P							
9	6LA54531000	BELT	1	1/P							
10	44209720000	BELT	1	1/P							
11	44209999000	K-BRKT-DRIVE	1	1/P							
12	44210000000	K-BRKT-MOT-DRIV	1	1/P							
13	6LA54532000	BELT	1	1/P							
14	6LA54533000	WIRE-HARNESS	1	1/P							
501	X0-00431000	S/BID-M3X6-ZB	4	10/P							
502	44209721000	ERR -XD21200642	1	10/P							

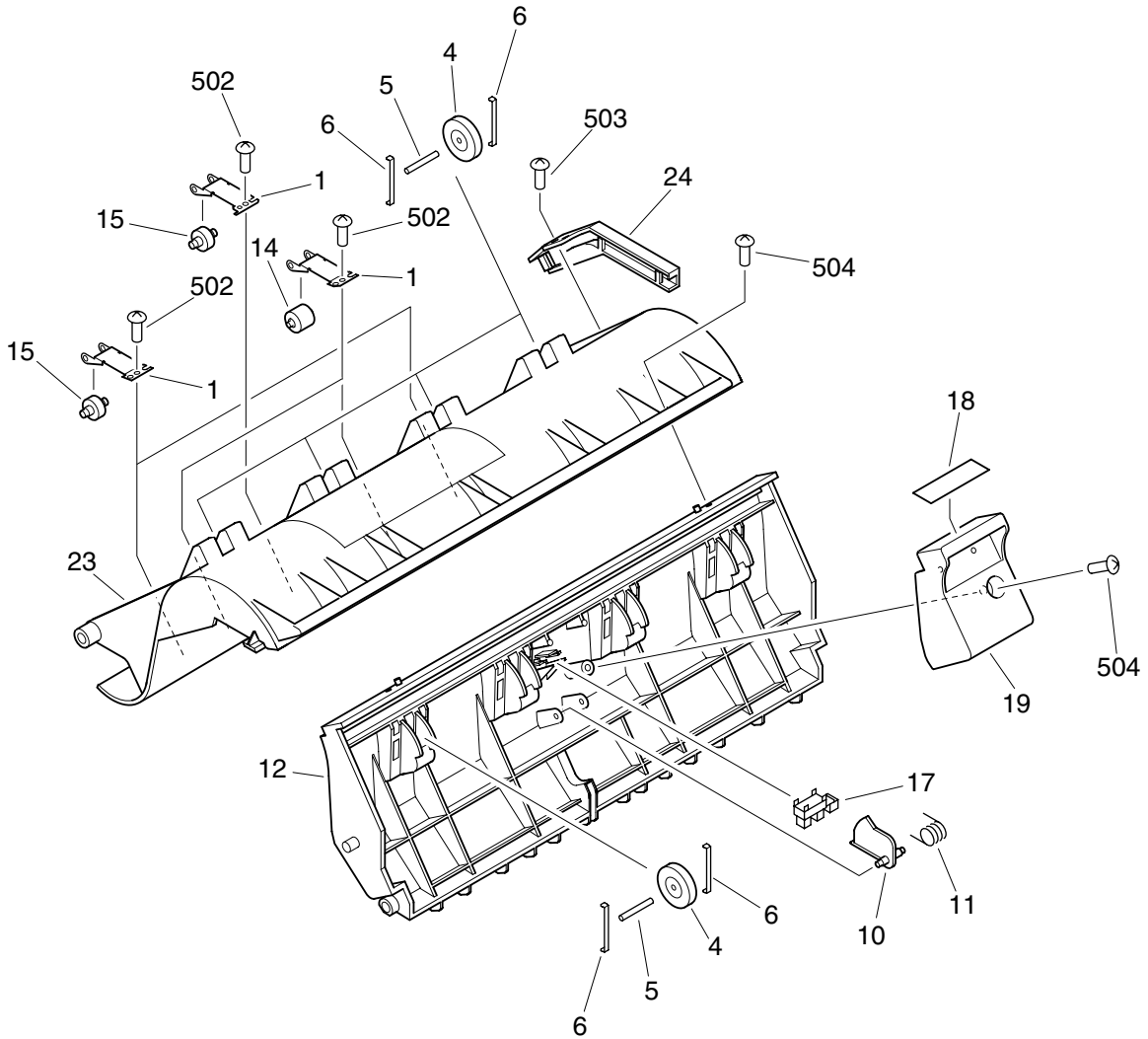


NOTE1 : This assembly includes the assemblies shown in P9, 12, 13, 14.

ITEM NO.	PARTS NO.	PARTS NAME	QTY / PAGE	QTY / PACK	P	I	R	BSI NO.	TO	T	FROM	SERIAL NO.	REMARKS	C
6	4402961100	GUIDE		11/P										
9	6LA58132000	GUIDE-CENTER		11/P										
19	4400792330	SCREW-RS-M4		850/P										
20	44209734000	SCREW-M4*4.5		810/P										
25	44209737000	SOLENOID		11/C										
31	6LA54601000	BRKT		11/P										
32	6LA58133000	BRKT-GEAR-RB		11/P										
33	6LA58134000	ROLLER-RB-A		21/P										
34	6LA58135000	SHAFT-RB		41/P										
35	4402352940	CONNECTOR		21/P										
36	6LA58136000	ROLLER-RB-B		21/P										
37	6LA58137000	BRKT-DRV-MOT		11/P										
38	6LA58138000	ASM-DRIVE-RB		11/C										
39	6LA58139000	ASM-ARM-RB		11/D										
40	6LA58140000	GEAR-RB-1		11/P										
41	6LA58141000	GEAR-RB-2		11/P										
42	6LA58142000	GEAR-RB-3		11/P										
43	6LA54534000	BKT-SOL		11/P										
44	6LA58143000	GUIDE-BELT		11/P										
45	6LA58144000	CLIP		45/P										
46	6LA58145000	GUIDE		21/P										
47	6LA58146000	ROLLER-LEVER		21/P										
48	6LA58147000	FRAM-BASE-MID		11/P										
49	44210003000	FRAM-MID-SUB		11/P										
50	6LA58148000	MOTR. D-RB		11/C										
51	44210760000	BELT		11/P										
53	4402345430	CLIP		25/P										
54	4402345350	BUSHING		15/P										
502	X0-01741000	S/BID-M3X4-ZB		410/P										
503	X0-00431000	S/BID-M3X6-ZB		110/P										



NOTE : This assembly is included in the assembly shown in P10, 11.

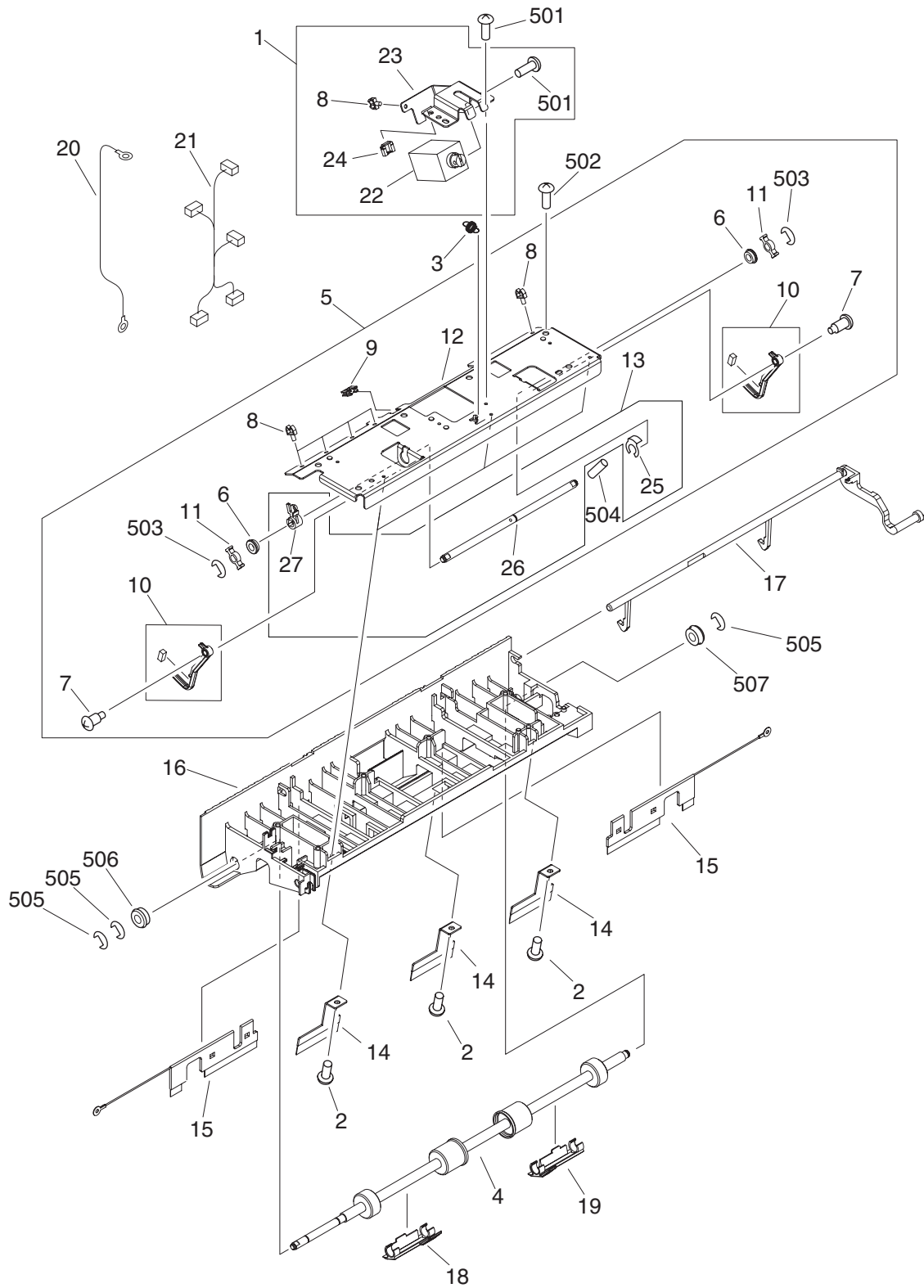


NOTE : This assembly is included in the assembly shown in P10, 11.

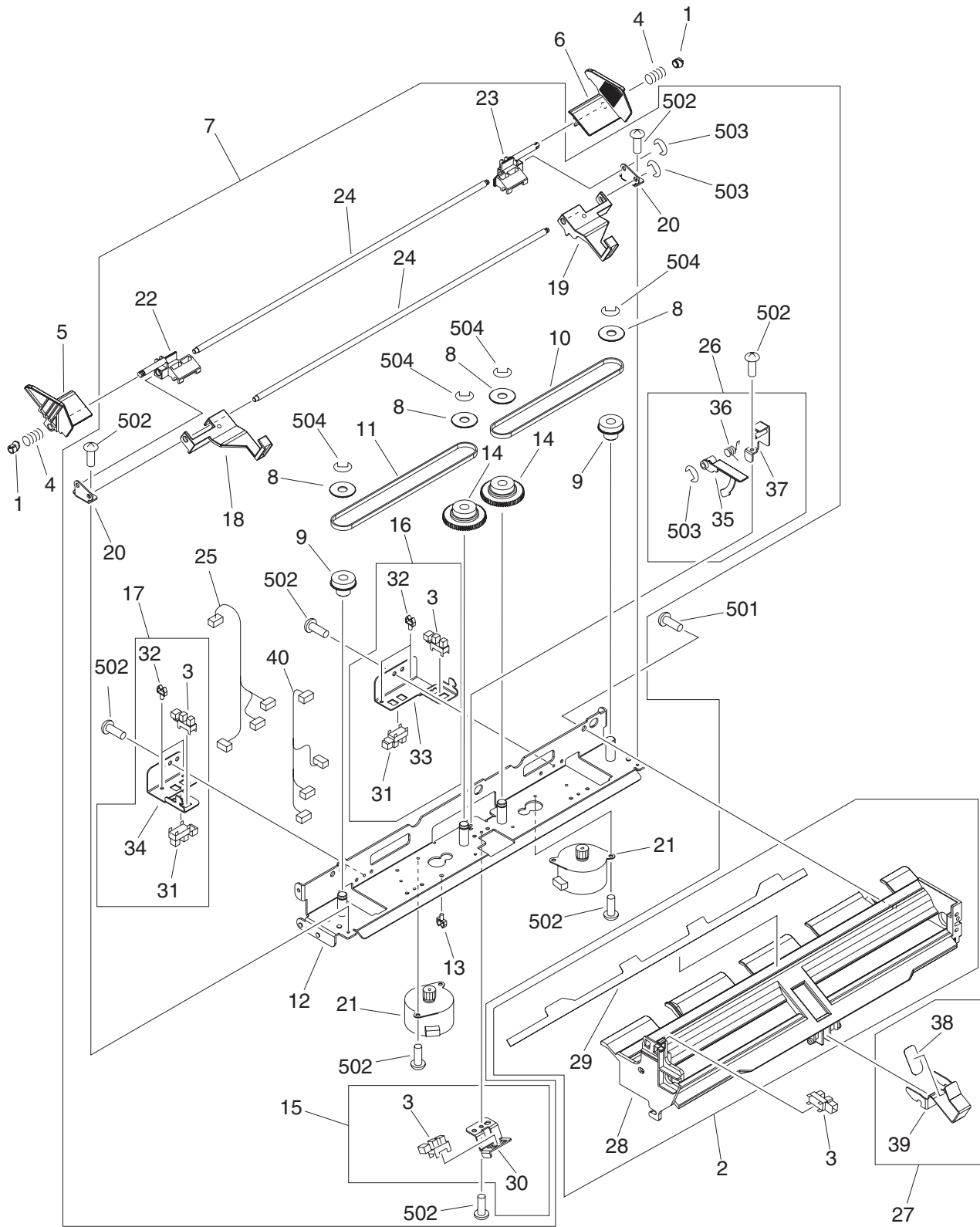
ITEM NO.	PARTS NO.	PARTS NAME	QTY / PAGE	QTY / PACK	PIR	BSI NO.	TO	FROM	SERIAL NO.	REMARKS	C
1	6LA58149000	SPL	5	1/P							
4	44209767000	ROLLER	8	1/P							
5	44209758000	SHAFT-ROLLER	8	1/P							
6	44209769000	SPL	16	1/P							
10	44209773000	FLAG-SENSOR	1	1/P							
11	44209774000	SPRING	1	5/P							
12	44209775000	GUIDE-U	1	1/P							
14	4402351520	ROLLER-C	2	1/P							
15	4402961920	ROLLER-D	3	1/P							
17	44209666000	PHOTO INTERRUPTER	1	1/C							
18	44209541000	LABEL-SENSOR	1	5/P							
19	44209618000	COV-SENSOR	1	1/P							
23	44209781000	GUIDE-U	1	1/PP							
24	44209782000	COV-WH	1	1/P							
502	4402015230	PAN-SCREW	5	50/P							
503	4402015290	PAN-XB47400609	1	50/P							
504	4402352300	SCRW-XB47401007	5	50/P							

ITEM NO.	PARTS NO.	PARTS NAME	Q' TY / PAGE	Q' TY / PACK	P	I	R	BSI NO.	TO	T	FROM	SERIAL NO.	REMARKS	C
1	44210628000	FRAME-ENT-F	1	1/P										
2	44210629000	FRAME-ENT-R	1	1/P										
3	44210630000	STAY-ENT-536	1	1/P										
4	44209675000	SPACER	1	5/P										
5	44210756000	ASM-SND-ENT-537	1	1/C										
6	44210637000	BRKT-SND-ENT	1	1/P										
7	44210643000	ROLLER	2	1/KP										
8	44209957000	SPL	1	1/P										
9	44210846000	GUIDE-FEED	1	1/P										
10	44210758000	GUIDE-FEED-L	1	1/P										
11	44210639000	FLAPPER	1	1/P										
12	4402967660	SPACER-R	1	1/P										
13	44221104000	SPRING	1	5/P										
14	4402967650	SPACER-F	1	1/P										
15	44209800000	BRKT-SENSOR	1	1/P										
16	44209666000	PHOTO INTERRUPT	2	1/C										
17	6LA58128000	MOTR. S-FEED	1	1/C										
18	44210644000	FLAG-SENSOR-ENT	1	1/P										
19	41321091000	SCREW-M3-STEP	1	10/P										
20	44210759000	SPRING	1	5/P										
21	44209735000	BEARING	4	1/P										
22	44210760000	BELT	1	1/P										
23	44210640000	PULLEY	1	1/P										
24	44210641000	PULLEY	1	1/P										
25	44210761000	BELT	1	1/P										
26	44210642000	BRKT-SENSOR	1	1/P										
27	4402347290	CLIP	2	1/P										
28	4402346920	CLIP	3	5/P										
29	4402963750	SPL-ROL-GUIDE	2	1/P										
30	44210762000	ROLLER	2	5/P										
31	44210631000	GUIDE-FEED-U	1	1/P										
32	44210763000	MAGNET	2	1/P										
33	44210634000	SPL	4	1/P										
34	4402351520	ROLLER-C	8	1/P										
35	44210764000	MYLAR	1	1/KP										
36	6LA58285000	HANDLE	1	1/P										
37	44210765000	WIRE-HARNESS	1	1/P										
38	4402967700	SCREW	2	10/P										
50	44210635000	SHEET-T1.5	4	5/P										
51	44210636000	SHEET-T2.0	2	5/P										
501	4400790620	SCREW-M4*6	14	50/P										
502	X0-01747000	S/BID-M4X6-ZB	6	10/P										
503	X0-01741000	S/BID-M3X4-ZB	4	10/P										
504	X0-00431000	S/BID-M3X6-ZB	2	10/P										
505	4402016800	ERRING-5	4	50/P										
506	4402016780	ERRING-4	2	50/P										

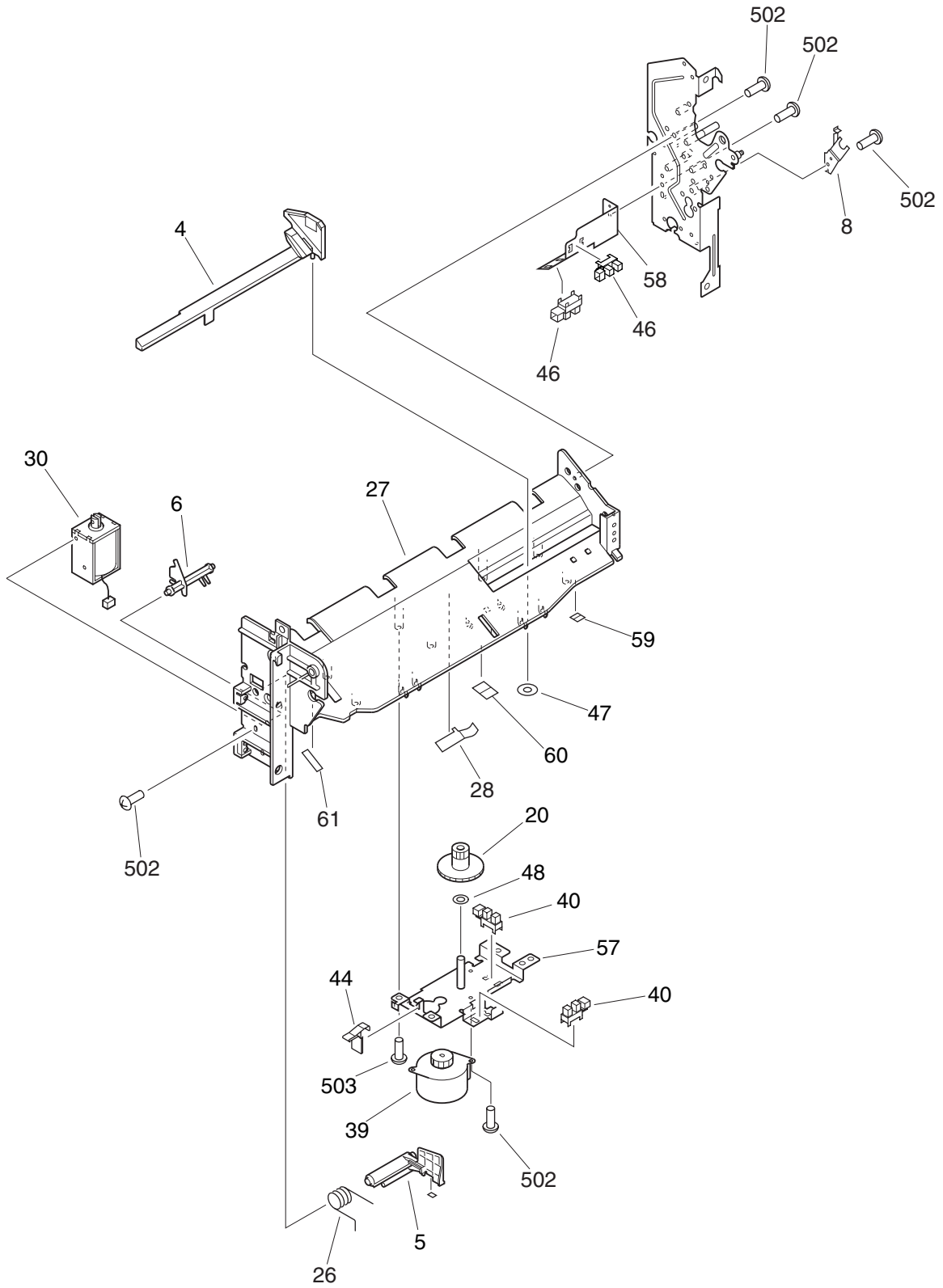
ITEM NO.	PARTS NO.	PARTS NAME	Q'TY / PAGE	Q'TY / PACK	PIR	BSI NO.	TO	FROM	SERIAL NO.	REMARKS	C
1	4402350530	CAM-SHUTTER	1	1/P							
2	44209801000	GUIDE-CABLE	1	1/P							
3	44209850000	PULLEY	1	1/P							
4	6LA58144000	CLIP	3	5/P							
5	6LA58151000	ASM-GUIDE-STPL	1	1/C							
6	6LA58156000	BRKT-SENS	1	1/P							
7	6LA58157000	ASM-FRAME-F	1	1/C							
8	6LA58167000	ASM-FRAME-R	1	1/C							
9	6LA58172000	CLIP	6	5/P							
10	6LA58173000	BRKT	1	1/P							
11	6LA58174000	PLATE	1	1/P							
12	6LA58175000	ROLLER	1	1/KP							
13	6LA58176000	ROLLER	1	1/KP							
14	6LA58177000	GEAR	1	1/P							
15	6LA58178000	GEAR	1	1/P							
16	6LA58179000	PULLEY	1	1/P							
17	6LA58180000	ASM-DRV-PDL	1	1/P							
18	6LA58186000	PLATE	1	1/P							
19	6LA58187000	GUIDE-ARM	1	1/P							
20	6LA58188000	SHAFT	1	1/P							
21	6LA58189000	BRKT-F	1	1/P							
22	6LA58190000	BRKT-R	1	1/P							
23	6LA58191000	LINK	1	1/P							
24	4402961220	BELT-PAPER-FEED	2	1/P							
25	6LA58276000	ASM-BRKT-SNS	1	1/D							
26	6LA58277000	WIRE-HARNESS	1	1/P							
27	44209805000	WIRE-HARNESS	1	1/C							
28	44209666000	PHOTO INTERRUPTER	2	1/C							
29	44210005000	BRKT-SWING	1	1/P							
30	4402961250	FLAG-SENSOR	1	1/P							
31	4402350490	SPRING	1	1/P							
32	6LA58152000	K-GUIDE-STPL	1	1/P							
33	6LA58153000	GUIDE-STAPLE	1	1/P							
34	6LA58154000	MYLAR	1	1/KP							
35	6LA58155000	CLIP	1	5/P							
36	6LA58158000	MOTR. D-DRIVE	1	1/C							
37	6LA58159000	FRAME-F	1	1/P							
38	44209735000	BEARING	2	1/P							
39	6LA58160000	PLATE-MOTOR	1	1/P							
40	6LA58161000	GEAR	1	1/P							
41	6LA58162000	PULLEY	1	1/P							
42	6LA58163000	GEAR	1	1/P							
43	6LA58164000	MOTR. D-PDL	1	1/C							
44	6LA58165000	K-PULLEY	1	1/P							
45	44209860000	GEAR-20T	2	1/P							
46	6LA58168000	K-GEAR	1	1/P							
47	6LA54544000	SPACER	1	5/P							
48	6LA54541000	GEAR	1	1/P							
49	4402351030	COLLAR-SPRING	1	5/P							
50	6LA58158000	MOTR. D-DRIVE	1	1/C							
51	6LA58169000	FRAME-R	1	1/P							
52	6LA58170000	GEAR	1	1/P							
53	6LA58171000	GEAR	1	1/P							
54	6LA58185000	PULLEY	1	1/P							
55	6LA58181000	SHAFT	1	1/P							
56	6LA58182000	FRANGE	1	1/P							
57	6LA58183000	BRKT	1	1/P							
58	6LA58184000	GEAR	1	1/P							
59	6LA58288000	K-PADLE-561	2	1/KP							
501	X0-00426000	S/BID-M3X4-NI	1	10/P							
502	4402352300	SCRW-XB47401007	4	50/P							
503	X0-00431000	S/BID-M3X6-ZB	2	10/P							
504	4402016800	ERRING-5	2	50/P							
505	X0-01741000	S/BID-M3X4-ZB	10	10/P							
506	4402016760	ERRING-3.2	1	50/P							
507	44209820000	SCREW-M2.3*14	2	10/P							
508	4402347320	CLIP	2	5/P							
509	X0-01747000	S/BID-M4X6-ZB	2	10/P							



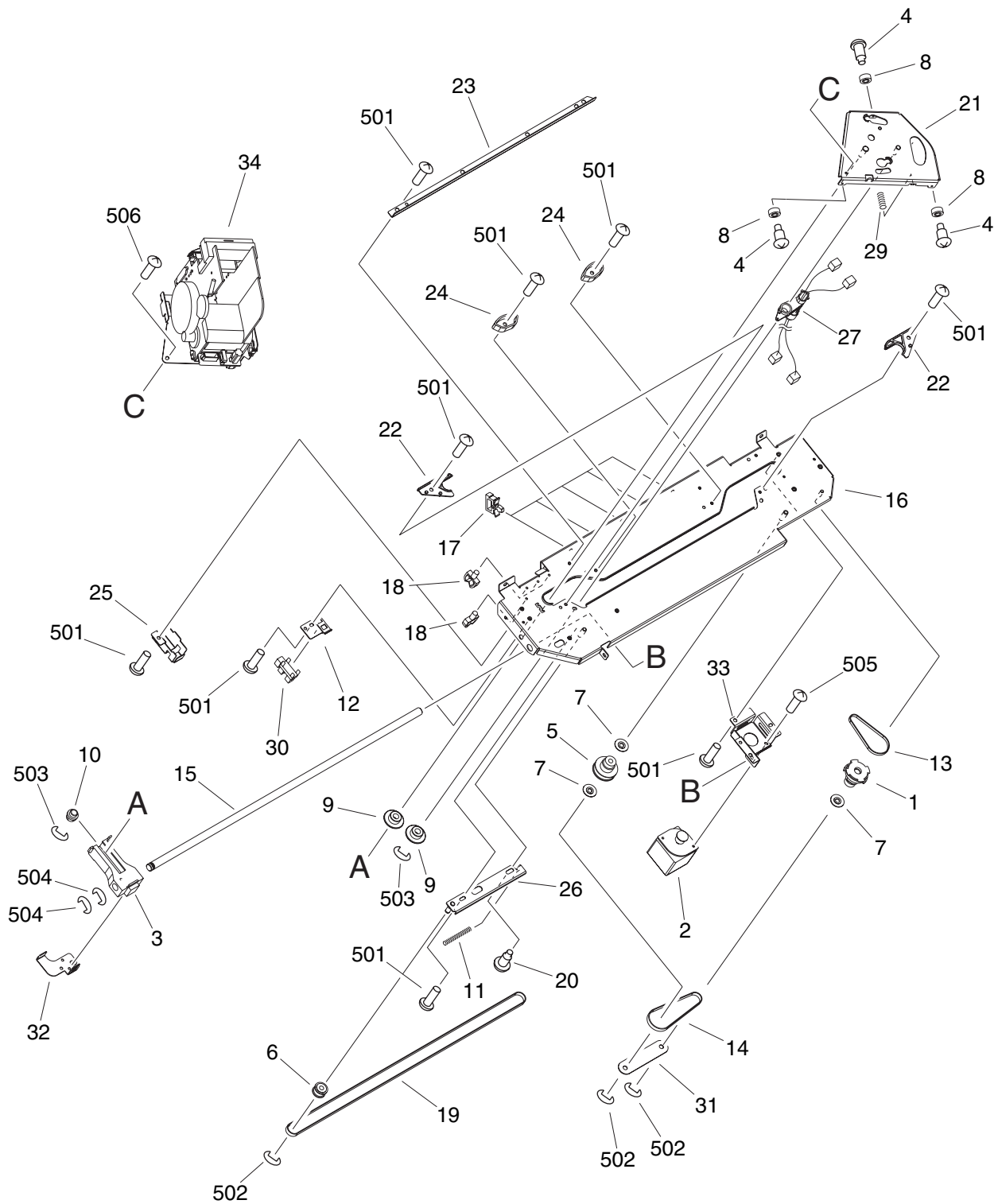
ITEM NO.	PARTS NO.	PARTS NAME	Q'TY / PAGE	Q'TY / PACK	P	I	R	BSI NO.	TO	T	FROM	SERIAL NO.	REMARKS	C
1	6LA58192000	ASM-SND-561		11/C										
2	6LA58195000	SCREW		310/P										
3	6LA58196000	SPRING		15/P										
4	6LA58197000	ROLLER		11/KP										
5	6LA58198000	ASM-STAY-SWING		11/C										
6	4402355810	BUSHING		25/P										
7	6LA58199000	SCREW		210/P										
8	4402346920	CLIP		65/P										
9	4402347320	CLIP		15/P										
10	6LA58200000	K-GUIDE		21/P										
11	6LA58203000	LINK		21/P										
12	6LA58204000	STAY-SWING		11/P										
13	6LA58205000	ASM-LINK-SND		11/P										
14	6LA58208000	BRUSH-1		31/KP										
15	6LA58209000	BRUSH-2		21/KP										
16	6LA58210000	GUIDE-SWING		11/P										
17	6LA58211000	STOPPER		11/P										
18	6LA58212000	GUIDE-ROL-F		11/P										
19	6LA58213000	GUIDE-ROL-R		11/P										
20	6LA58278000	WIRE-HARNESS		11/P										
21	6LA58279000	WIRE-HARNESS		11/P										
22	6LA58193000	SOLENOID		11/C										
23	6LA58194000	BRKT-SND		11/P										
24	4402347290	CLIP		11/P										
25	6LA58144000	CLIP		15/P										
26	6LA58206000	SHAFT		11/P										
27	6LA58207000	LINK-SND		11/P										
501	X0-01741000	S/BID-M3X4-ZB		410/P										
502	4402352300	SCRW-XB47401007		650/P										
503	4402016780	ERRING-4		250/P										
504	X0-00979000	P/PRL/AH7-2X8-SS		110/P										
505	4402016800	ERRING-5		350/P										
506	4402353000	BUSHING		11/P										
507	44209735000	BEARING		11/P										



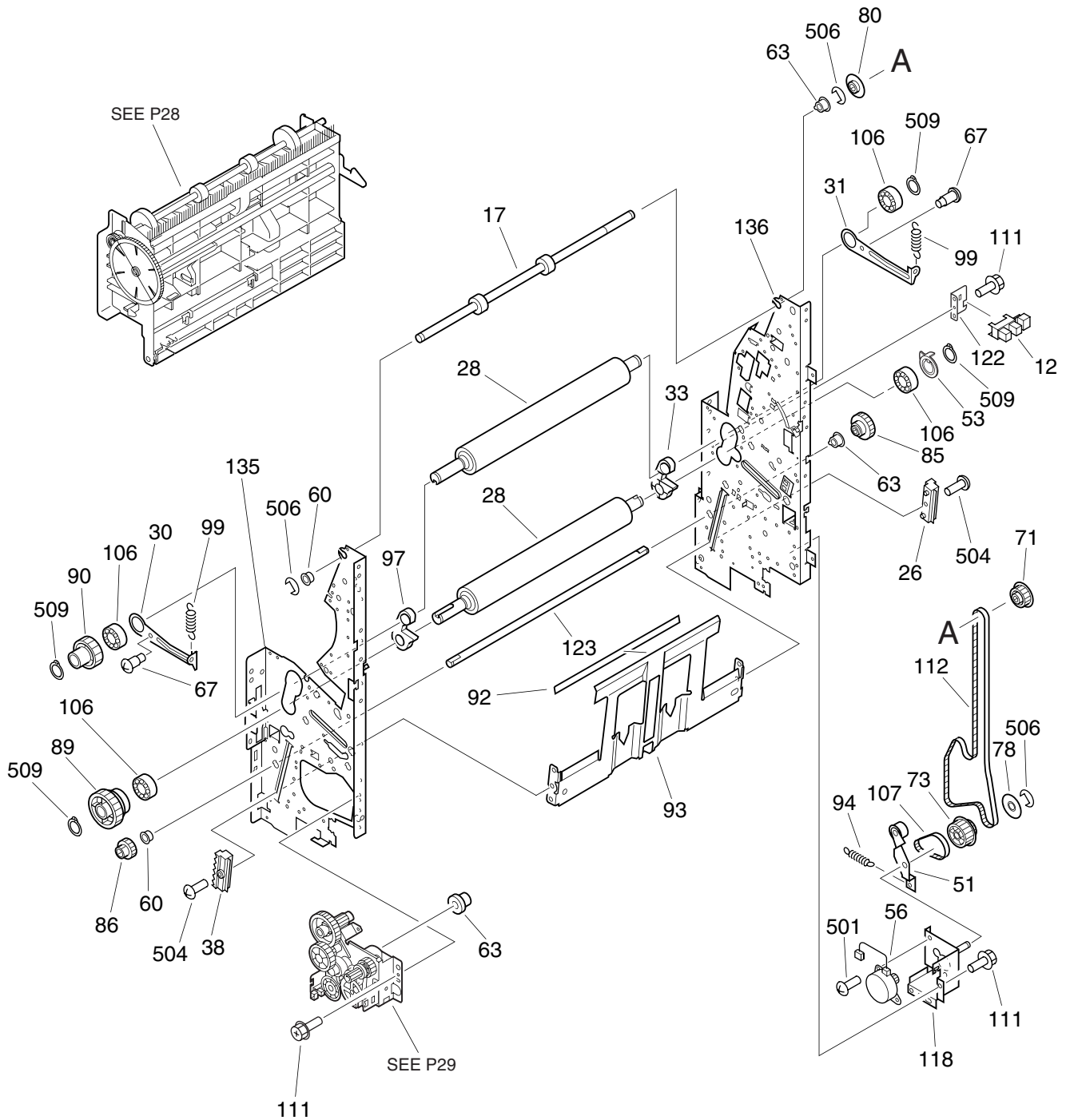
ITEM NO.	PARTS NO.	PARTS NAME	Q'TY / PAGE	Q'TY / PACK	P	I	R	BSI NO.	TO	T	FROM	SERIAL NO.	REMARKS	C
1	6LA58242000	STOPPER		21/P										
2	6LA58243000	ASM-TRAY-STPL		11/PP										
3	44209666000	PHOTO INTERRUPT		41/C										
4	6LA58246000	SPC		25/P										
5	6LA58247000	PLATE-SIDE-F		11/P										
6	6LA58248000	PLATE-SIDE-R		11/P										
7	6LA58249000	ASM-TRAY-U		11/C										
8	6LA58250000	SPACER		45/P										
9	6LA58251000	PULLEY-P32		21/P										
10	6LA58252000	BELT-S2M-328		11/P										
11	6LA58253000	BELT-S2M-360		11/P										
12	6LA58254000	STAY-STAPLE-L		11/P										
13	6LA58172000	CLIP		15/P										
14	6LA58255000	GEAR-Z60-P32		21/P										
15	6LA58256000	ASM-STPL-PHOTO		11/D										
16	6LA58258000	ASM-BRAKT-SENS		11/D										
17	6LA58260000	ASM-BKT-SENS-F		11/D										
18	6LA58262000	STOPPER-F		11/P										
19	6LA58263000	STOPPER-R		11/P										
20	6LA58264000	PLATE		21/P										
21	6LA58265000	MOTR. D-WALL		21/C										
22	6LA58266000	SLIDER-F		11/P										
23	6LA58267000	SLIDER-R		11/P										
24	6LA58268000	SHAFT		21/P										
25	6LA58280000	WIRE-HARNESS		11/P										
26	6LA58269000	ASM-LEVER		11/C										
27	6LA58273000	ASM-STOP-C		11/P										
28	6LA58244000	TRAY-STAPLE		11/PP										
29	6LA58245000	MYLAR-TRAY		11/KP										
30	6LA58257000	BRKT-STAPLE		11/P										
31	4402351390	PHOTO INTERRUPT		21/C										
32	4402346920	CLIP		45/P										
33	6LA58259000	BRKT-SENS-F		11/P										
34	6LA58261000	BRKT-SENS-R		11/P										
35	6LA58270000	FLAG-SENS-STPL		11/P										
36	6LA58271000	SPR-SENS-TRAY		15/P										
37	6LA58272000	BRKT-LEVER-STPL		11/P										
38	6LA58274000	MYLAR-STOP		11/KP										
39	6LA58275000	STOPPER-C		11/P										
40	6LA58281000	WIRE-HARNESS		11/P										
501	4402352300	SCRW-XB47401007		250/P										
502	XO-01741000	S/BID-M3X4-ZB		10,10/P										
503	6LA54563000	ERR-XD21100320		35/P										
504	4402016830	ERRING-6.4		450/P										



ITEM NO.	PARTS NO.	PARTS NAME	Q'TY / PAGE	Q'TY / PACK	P	I	R	BSI NO.	TO	T	FROM	SERIAL NO.	REMARKS	C
4	44209614000	GUIDE	1	1/P										
5	6LA54539000	SHUTTER-552	1	1/P										
6	4402351110	LEVER-SHUTTER	1	1/P										
8	44209845000	SPL	1	1/P										
20	4402351280	GEAR-12T/36T	1	1/P										
26	44209855000	SPRING	1	5/P										
27	6LA54540000	TRAY-STPL-552	1	1/P										
28	4402352030	PUSHER	1	1/P										
30	4402962760	SOLENOID	1	1/D										
39	4402351440	MOTOR-STEPPING	1	1/C										
40	44209666000	PHOTO INTERRUPTER	2	1/C										
44	44209866000	SPL	1	1/P										
46	4402351390	PHOTO INTERRUPTER	2	1/C										
47	4402351940	RING	1	10/P										
48	4402351460	WASHER	1	10/P										
57	44209873000	BRKT	1	1/P										
58	44210006000	BRKT-SENSOR	1	1/P										
59	4402961850	SHEET	1	5/P										
60	4402353580	SEAL	1	5/P										
61	4402352020	CUSHION	1	1/P										
502	X0-01741000	S/BID-M3X4-ZB	12	10/P										
503	4402015300	PAN-XB47400809	7	50/P										

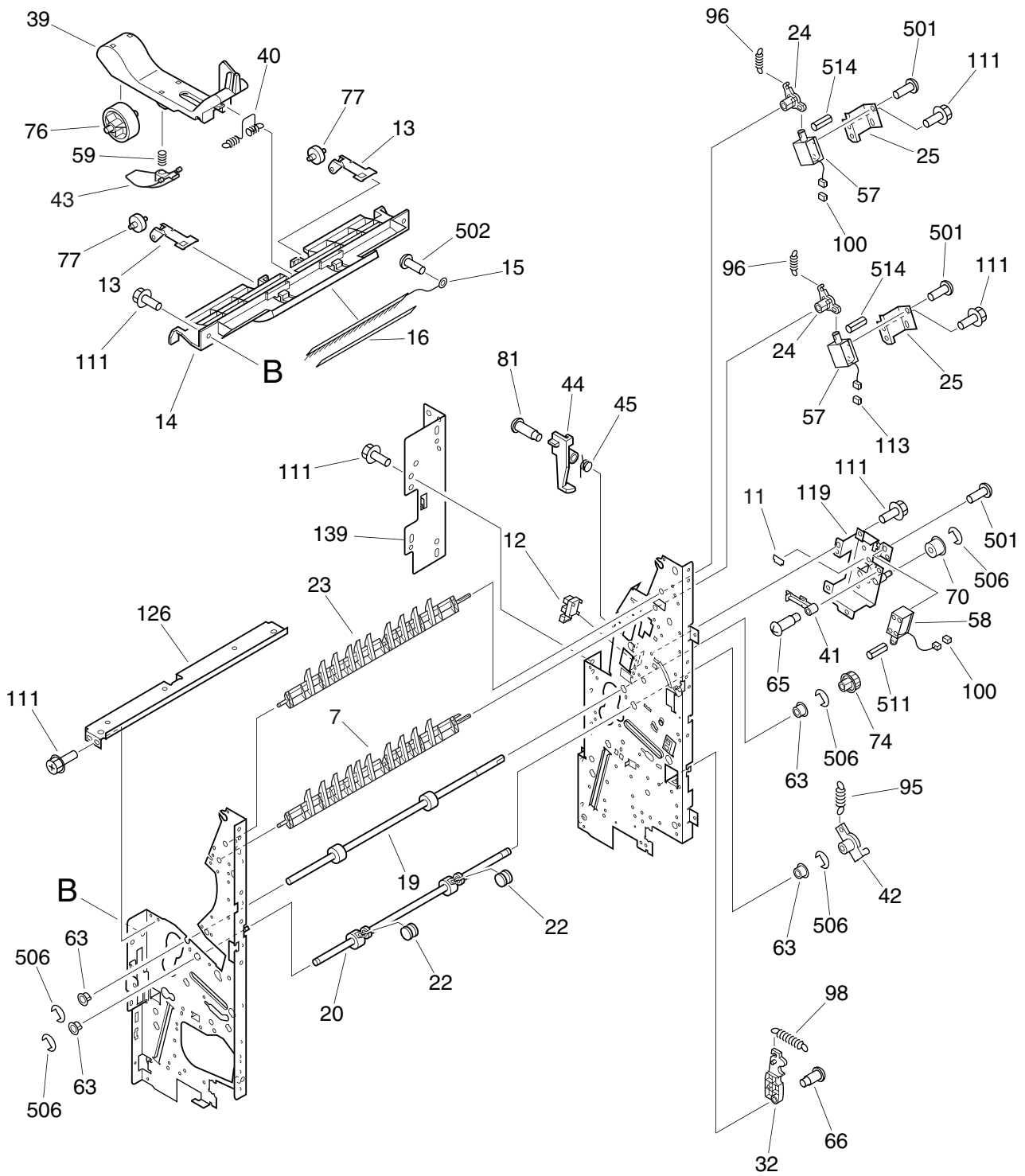


ITEM NO.	PARTS NO.	PARTS NAME	Q'TY / PAGE	Q'TY / PACK	P	I	R	BSI NO.	TO	T	FROM	SERIAL NO.	REMARKS	C
1	6LA58214000	PULLEY	1	1/P										
2	6LA58215000	MOTR. D-TRAY	1	1/C										
3	6LA58216000	SLIDER	1	1/P										
4	4407838280	SCREW-M3	3	50/P										
5	6LA58217000	PULLEY	1	1/P										
6	6LA58218000	PULLEY-16	1	1/P										
7	6LA58219000	ROLLER	3	1/P										
8	4402351880	ROLLER	3	1/P										
9	6LA58220000	ROLLER-IDLE	2	1/P										
10	6LA58221000	ROLLER-STAPLE	1	1/P										
11	6LA58222000	SPE	1	1/P										
12	6LA58223000	BRKT-SENS	1	1/P										
13	6LA58224000	BELT-S2M-160	1	1/P										
14	6LA58225000	BELT-S3M-210	1	1/P										
15	6LA58226000	SHAFT-STAPLE	1	1/P										
16	6LA58227000	TARY-ATAPLE-561	1	1/P										
17	4400790530	CLIP	5	5/P										
18	4402346920	CLIP	4	5/P										
19	6LA58228000	BELT	1	1/P										
20	6LA58240000	SCREW	1	10/P										
21	6LA58229000	BRKT-STAPLE	1	1/P										
22	6LA58230000	PLATE	2	1/P										
23	6LA58231000	PLATE-GUIDE	1	1/P										
24	6LA58232000	SPACER	2	1/P										
25	6LA58233000	COVER-SENS	1	1/P										
26	6LA58234000	BRKT-TENS	1	1/P										
27	6LA58241000	WIRE-HARNESS	1	1/P										
29	6LA58235000	SPR-HARNESS	1	1/P										
30	44209666000	PHOTO INTERRUPTER	1	1/C										
31	6LA58236000	BRKT-PLY	1	1/P										
32	6LA58237000	BRKT-BELT	1	1/P										
33	6LA58238000	BRKT-MOT	1	1/P										
34	6LA58239000	STAPLER	1	1/C										
501	4400790620	SCREW-M4*6	14	50/P										
502	4402016800	ERRING-5	3	50/P										
503	4402016830	ERRING-6.4	2	50/P										
504	4402016850	ERR-XD21100802	2	50/P										
505	X0-01741000	S/BID-M3X4-ZB	2	10/P										
506	X0-00449000	S/BID-M4X6-N1	1	10/P										

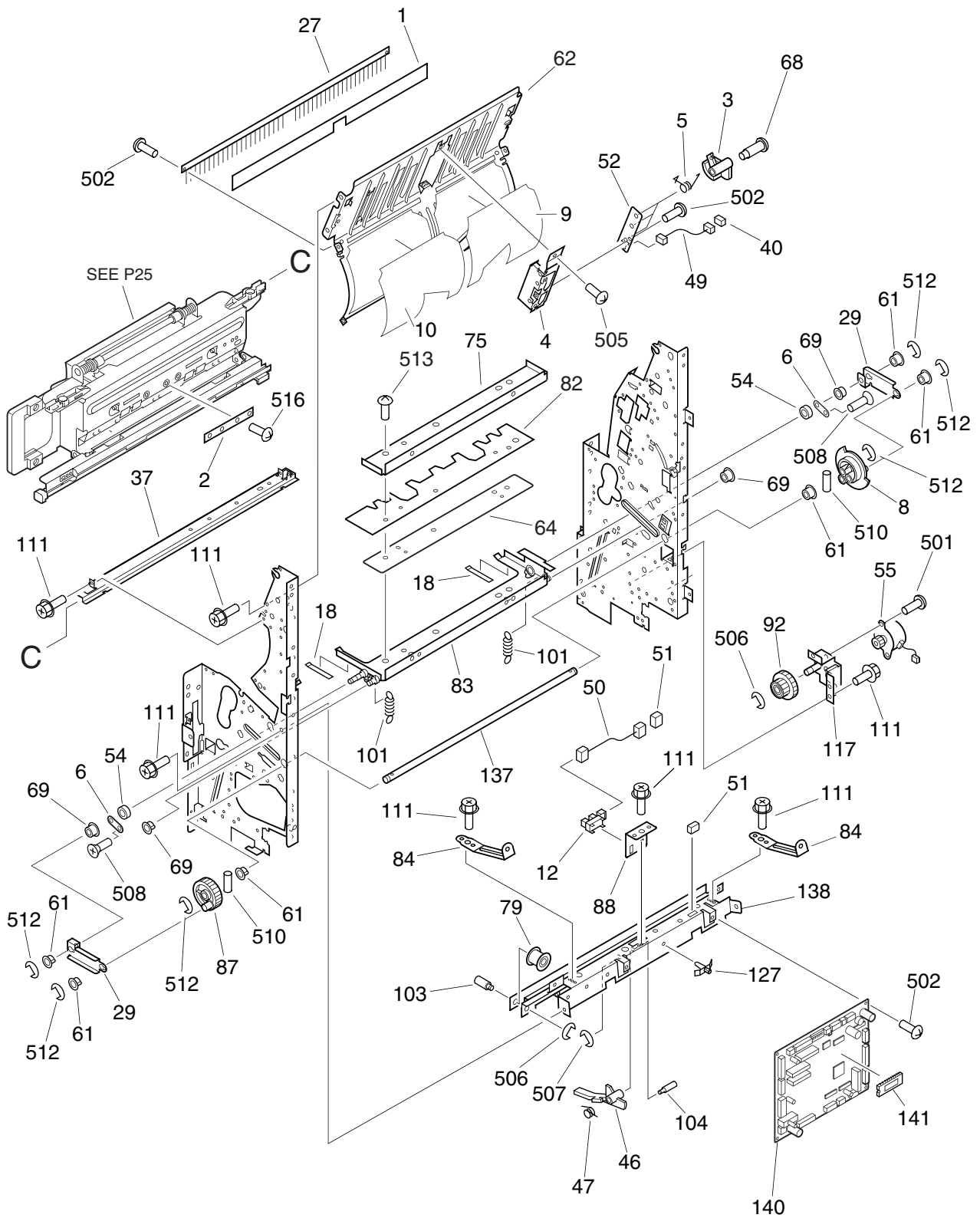


ITEM NO.	PARTS NO.	PARTS NAME	Q'TY / PAGE	Q'TY / PACK	P	I	R	BSI NO.	TO	T	FROM	SERIAL NO.	REMARKS	C
12B	4402962800	SCO-TLP1242 (C6)		11/C									MJ-1018	
17B	4402967940	ROL-INLET		11/KP									MJ-1018	
26B	4402968030	RACK-REAR		11/P									MJ-1018	
28B	44209891000	ROLLER		21/KP									MJ-1018	
30B	4402968070	PLATE-PRESS-F		11/P									MJ-1018	
31B	4402968080	PLATE-PRESS-R		11/P									MJ-1018	
33B	4402968100	ARM-REAR		11/P									MJ-1018	
38B	4402968150	RACK-FRONT		11/P									MJ-1018	
51B	4402968290	PLATE-TENSION		11/P									MJ-1018	
53B	44209894000	FLAG-SENSOR		11/P									MJ-1018	
56B	44221160000	MOTOR		11/C									MJ-1018	
60B	4408651130	BUSHING		25/P									MJ-1018	
63B	4407839330	BUSHING		45/P									MJ-1018	
67B	4407839350	SCREW-M4		250/P									MJ-1018	
71B	4402968410	PULLEY-30T		11/P									MJ-1018	
73B	4402968430	PULLEY-24T/28T		11/P									MJ-1018	
78B	4402968480	FLANGE		11/P									MJ-1018	
80B	4402968500	FLANGE		11/P									MJ-1018	
85B	4402968550	GEAR-16T/33T		11/P									MJ-1018	
86B	4402968560	GEAR-16T		11/P									MJ-1018	
89B	4402968590	GEAR-16T/56T		11/P									MJ-1018	
90B	4402968600	GEAR-16T		11/P									MJ-1018	
92B	4402968910	SHEET-ROL-GUIDE		11/KP									MJ-1018	
93B	4402968900	GUIDE-ROLLER		11/KP									MJ-1018	
94B	4402968640	SPRING		15/P									MJ-1018	
97B	4402968890	ARM-FRONT		11/P									MJ-1018	
99B	4402968690	SPRING		25/P									MJ-1018	
106B	44210838000	BEARING		41/P									MJ-1018	
107B	44210798000	BELT		11/P									MJ-1018	
111B	4400792330	SCREW-RS-M4		2550/P									MJ-1018	
112B	4402968810	BELT		11/P									MJ-1018	
118B	4402962870	K-BRKT-MOTOR		11/P									MJ-1018	
122B	4402967880	BRKT-SENSOR		11/P									MJ-1018	
123B	4402968040	SHAFT		11/P									MJ-1018	
135B	44210008000	FRAME-SADDLE-F		11/P									MJ-1018	
136B	44210009000	FRAME-SADDLE-R		11/P									MJ-1018	
501B	X0-01741000	S/BID-M3X4-ZB		210/P									MJ-1018	
504B	4842040810	BID30*08MSZN3L		250/P									MJ-1018	
506B	4402016800	ERRING-5		350/P									MJ-1018	
509B	4402963890	CRR -XD23100152		410/P									MJ-1018	

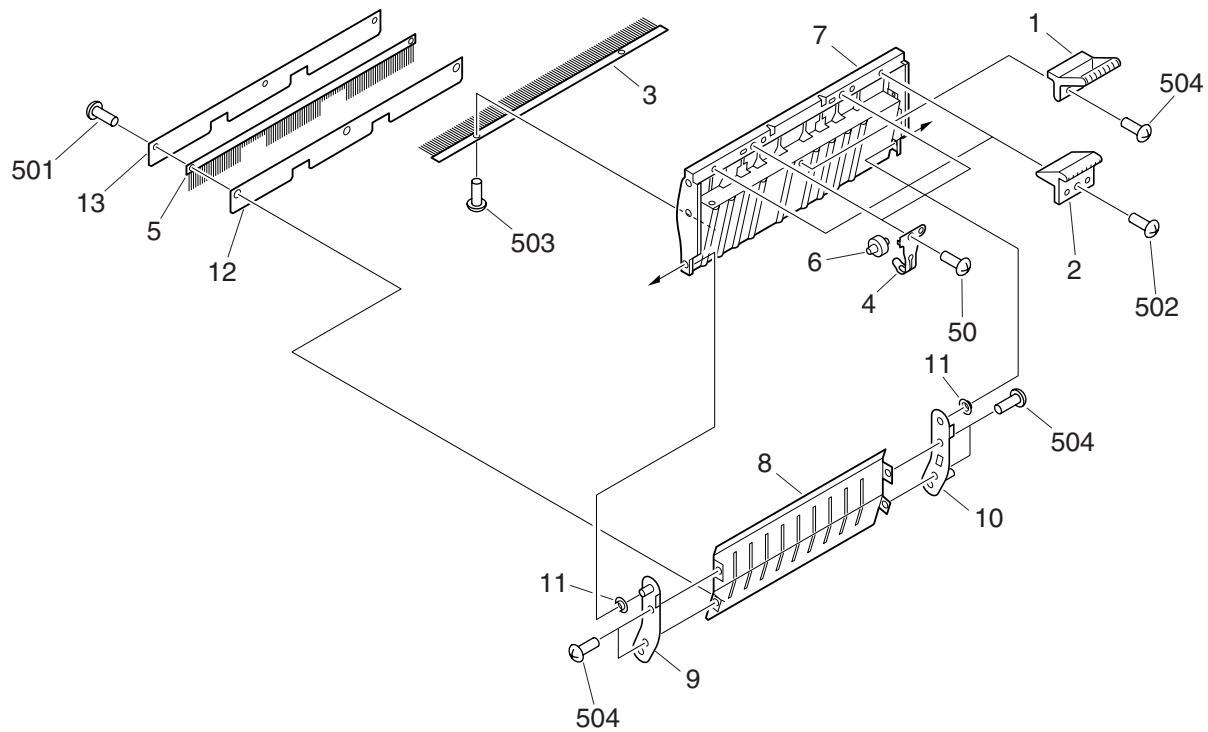
21-1	4402966910	PLATE
21-2	4402967780	HOLDER-SWITCH
21-9	4402968790	CONNECTOR
21-10	4402967860	BRKT-SWITCH
21-12	4402966330	PHOTOINTERRUPTER
21-15	4400790510	MICROSWITCH
21-16	4402967930	ROL-WOODRUFF
21-21	4402967980	FLAG-ROLLER
21-34	4402968110	GUIDE-SIDE-F
21-35	4402968120	GUIDE-SIDE-R
21-36	4402968130	BRKT-SENSOR
21-48	44209892000	WIRE-HARNESS
21-49	4402352940	CONNECTOR
21-60	4408651130	BUSHING
21-63	4407839330	BUSHING
21-72	4402968420	PULLEY-39T
21-91	4402968920	SCREW-M3*8
21-102	44209900000	SPE
21-105	4402968850	BRKT-SWITCH
21-109	44209902000	HOLDER-ROL
21-111	4400792330	SCREW-RS-M4
21-128	4402967920	SFT-ROLLER
21-129	44209908000	SHAFT
21-130	44209909000	PLATE
21-131	4402969130	BRKT
21-502	X0-00431000	S/BID-M3X6-ZB
21-503	4400595930	SCREW
21-504	4842040810	BID30*08MSZN3L
21-506	4402016800	ERRING-5
21-515	4402016740	ERR-XD21100242

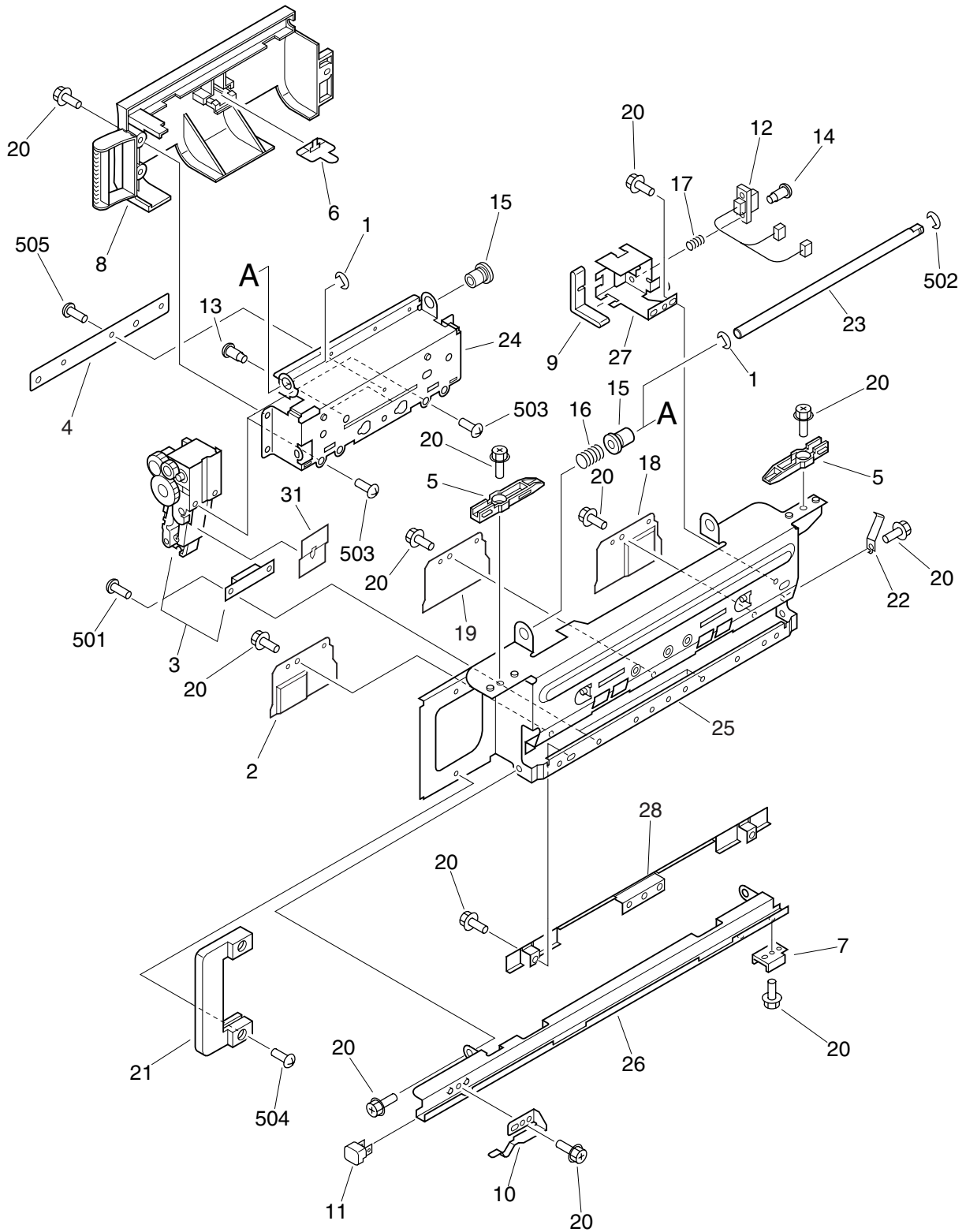


ITEM NO.	PARTS NO.	PARTS NAME	Q'TY / PAGE	Q'TY / PACK	P	I	R	BSI NO.	TO	T	FROM	SERIAL NO.	REMARKS	C
7	44209885000	FLAPPER		11/P										
11	44209886000	SHEET		15/P										
12	4402962800	SCO-TLP1242 (C6)		11/C										
13	44221170000	SPL		21/P										
14	6LA54545000	K-GUIDE-U-552		11/PP										
15	4402969000	BRUSH		11/KP										
16	4402969010	SHEET		11/KP										
19	44209889000	SHEET		15/P										
20	44209890000	SHAFT-CAM		11/P										
22	4402967990	ROL-BACK-UP		21/P										
23	4402968000	DEFLECTOR		11/KP										
24	4402968010	ARM-DEFLECTOR		21/P										
25	4402968020	BRKT-SOLEN0ID		21/P										
32	4402968090	LEVER-STOPPER		11/P										
39	44209628000	HOLDER-PAPER		11/P										
40	4402968180	SPRING		11/P										
41	4402968190	L INK-ROLLER-1		11/P										
42	4402968200	L INK-ROLLER-2		11/P										
43	44209620000	HOLDER-PAPER-1		11/P										
44	4402968220	FLAG-SENSOR		11/P										
45	4402968230	SPRING		15/P										
57	4402968350	SOLENOID		21/C										
58	4402968360	SOLENOID		11/C										
59	44209896000	SPC		11/P										
63	4407839330	BUSHING		45/P										
65	4402343550	SCREW-M4		110/P										
66	4407838830	SCREW-M4		150/P										
70	4402968400	PULLEY		11/P										
74	4402968440	PULLEY-24		11/P										
76	4402968460	ROLLER		11/P										
77	44221171000	ROLLER-EXIT		21/P										
81	4402968510	SCREW-M3		110/P										
95	44209899000	SPE		15/P										
96	4402968660	SPRING		25/P										
98	4402968680	SPRING		15/P										
100	4402350070	CONNECTOR		25/P										
111	4400792330	SCREW-RS-M4		750/P										
113	44209903000	CONNECTOR		11/P										
119	44209907000	BRKT-SND		11/P										
126	4402969090	STAY-UPPER		11/P										
139	6LA58150000	BRKT		11/P										
501	X0-01741000	S/BID-M3X4-ZB		310/P										
502	X0-01743000	S/BID-M3X8-ZB		110/P										
506	4402016800	ERRING-5		550/P										
511	X0-01016000	P/SPW/AW-3X10-SS		110/P										
514	X0-01893000	P/SPW/AW-3X8-SS		210/P										

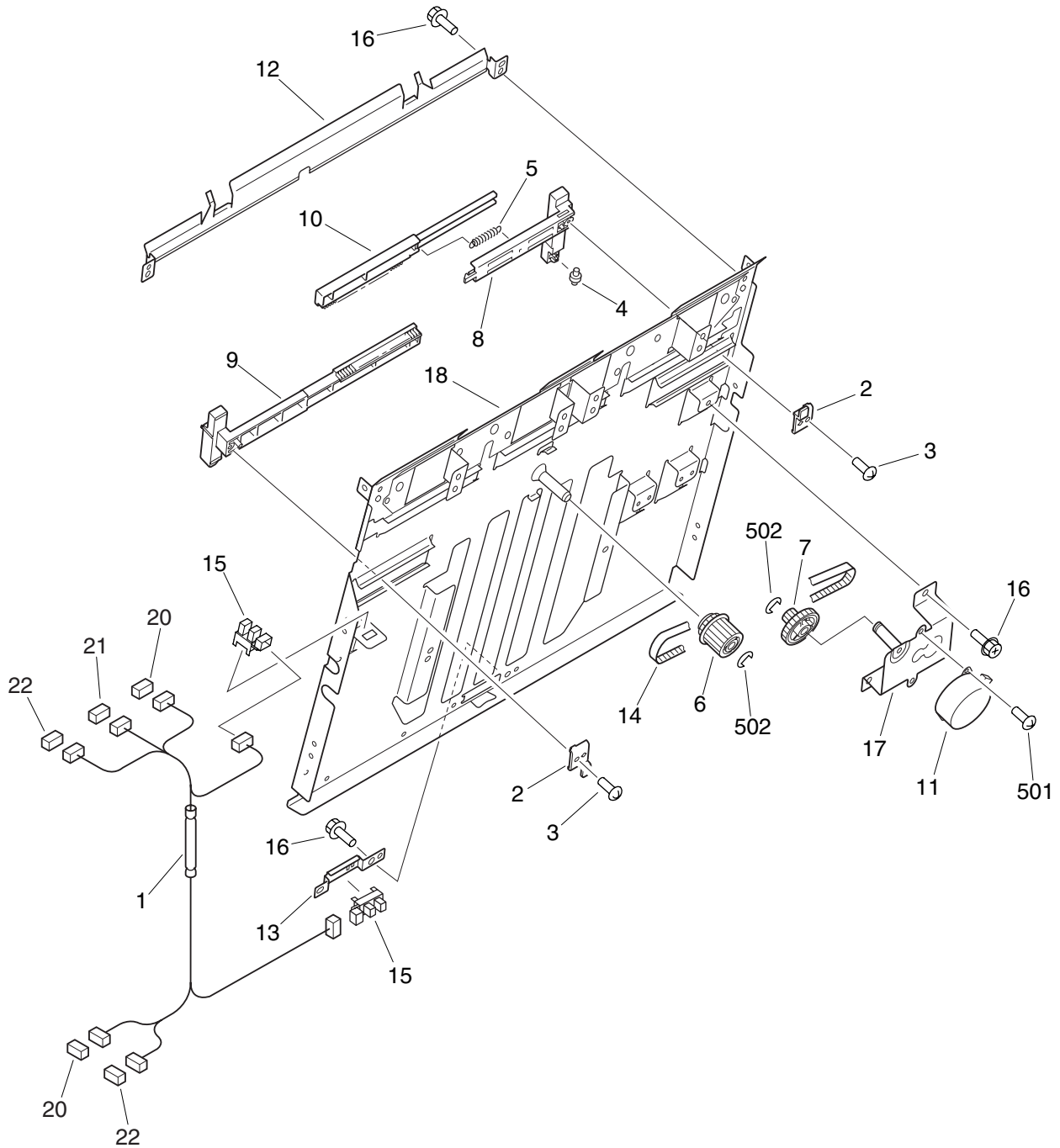


ITEM NO.	PARTS NO.	PARTS NAME	QTY / PAGE	QTY / PACK	PIR	BSI NO.	TO	FROM	SERIAL NO.	REMARKS	C
1	44210795000	SHEET-GUIDE	1	1/KP							
2	44210799000	PLATE-STPL-537	1	1/P							
3	4402967790	FLAG-SENSOR	3	1/P							
4	4402967800	BRKT-SENSOR	1	1/P							
5	4402967810	SPRING	3	1/P							
6	4402969110	PLATE-BACK-UP	2	1/P							
8	4402967840	PLATE	1	1/P							
9	44210796000	SHEET-GUIDE-U-1	1	1/KP							
10	44210797000	SHEET-GUIDE-U-2	1	1/KP							
12	4402962800	SCO-TLP1242 (C6)	1	1/C							
18	44209888000	SHEET	2	5/P							
27	4402968770	BRUSH	1	1/KP							
29	4402968060	PLATE	2	1/P							
37	4402968140	RAIL-SLIDE-U	1	1/P							
40	4402350080	CONNECTOR	1	5/P							
46	4402968240	FLAG-SENSOR	1	1/P							
47	4402968250	SPRING	1	5/P							
49	44209893000	WIRE-HARNESS	1	1/P							
50	4402968280	WIRE-HARNESS	1	1/P							
51	4402350100	CONNECTOR	1	5/P							
52	4402968300	PWA-PAPER-SENS	1	1/SB							
54	44209895000	FLANGE	2	1/P							
55	4402968330	MOTOR	1	1/C							
61	4400575620	BUSHING	6	5/P							
62	44209897000	GUIDE-SADDLE-U	1	1/P							
64	4402969120	SPACER	1	1/KP							
68	4402967690	SCREW	3	10/P							
69	4402968390	BUSHING	4	5/P							
75	4402968980	PLATE-HOLDER-2	1	1/P							
79	4402968490	ROLLER	1	1/P							
82	4402353400	PLATE	1	1/P							
83	4402968960	PLATE-HOLDER-1	1	1/P							
84	4402968950	PLATE-COVER	2	1/P							
87	4402968570	GEAR-44T	1	1/P							
88	4402968940	BRKT-SENSOR	1	1/P							
92	4402968620	GEAR-22T/48T	1	1/P							
101	4402968710	SPRING	2	5/P							
103	4402968730	SHAFT-ROLLER	1	1/P							
104	4402968740	SHAFT-BACK-UP	1	1/P							
111	4400792330	SCREW-RS-M4	7	50/P							
117	4402969070	IK-BRKT-MOTOR	1	1/P							
127	4402968780	SPACER-SUPPORT	1	5/P							
137	4402968040	SHAFT	1	1/P							
138	4402969080	RAIL-LOWER	1	1/P							
140	6LA54627000	PWA-LGC-553	1	1/SB							
141	6LA54769000	WR. ROM-T552FIN-040	1	1/S							
501	X0-01741000	S/BID-M3X4-ZB	2	10/P							
502	X0-00431000	S/BID-M3X6-ZB	5	10/P							
505	X0-01748000	S/BID-M4X4-ZB	1	10/P							
506	4402016800	ERRING-5	2	50/P							
507	4402016760	ERRING-3.2	1	50/P							
508	X0-00341000	S/GTS-M4X8-ZB	2	10/P							
510	7432302008	HPIN30/20SS	2	50/P							
512	4402016830	ERRING-6.4	6	50/P							
513	X0-01820000	S/FPAN-M4X6-ZB	3	10/P							
516	4402967000	SCREW-M3*6	1	10/P							

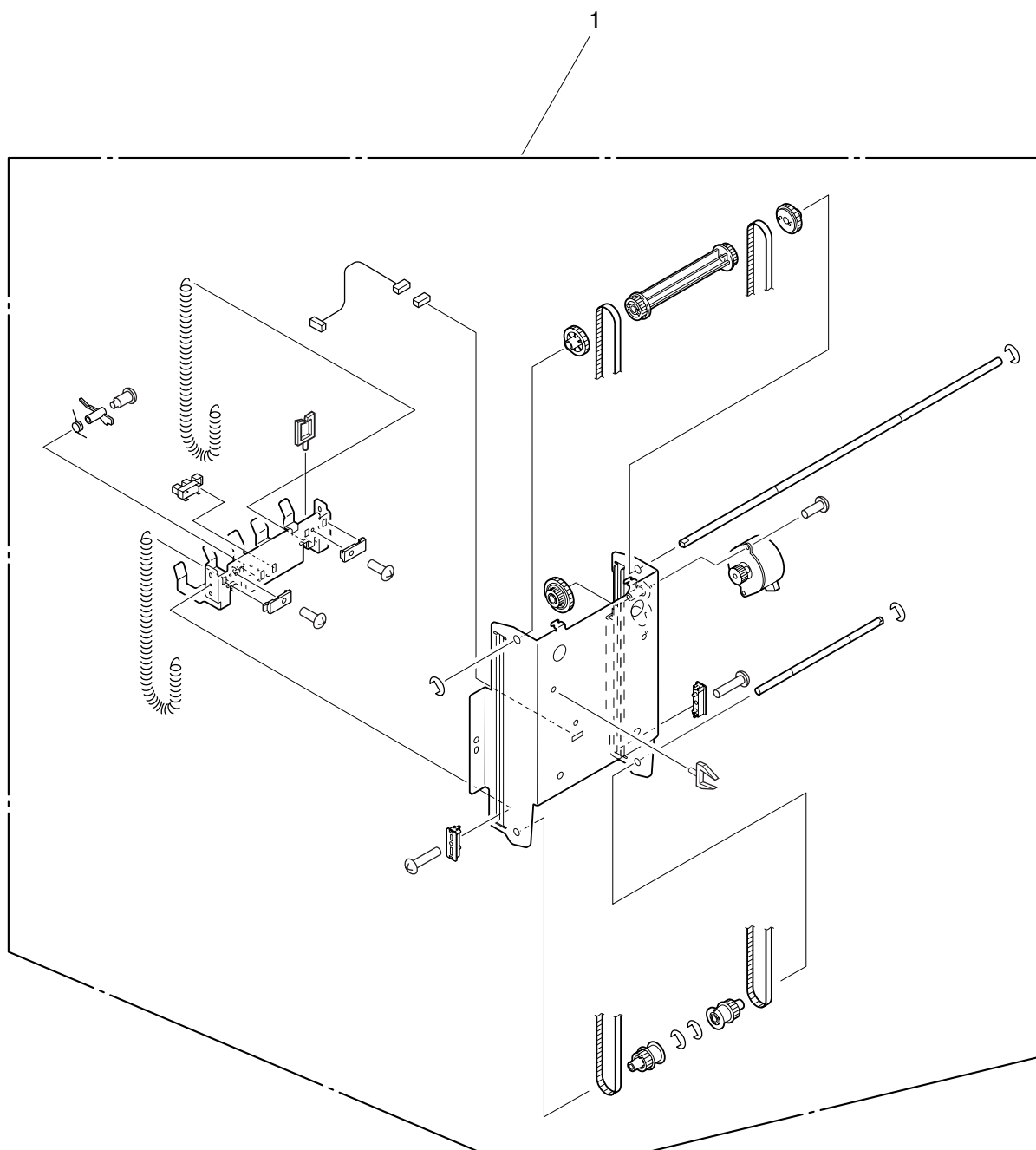




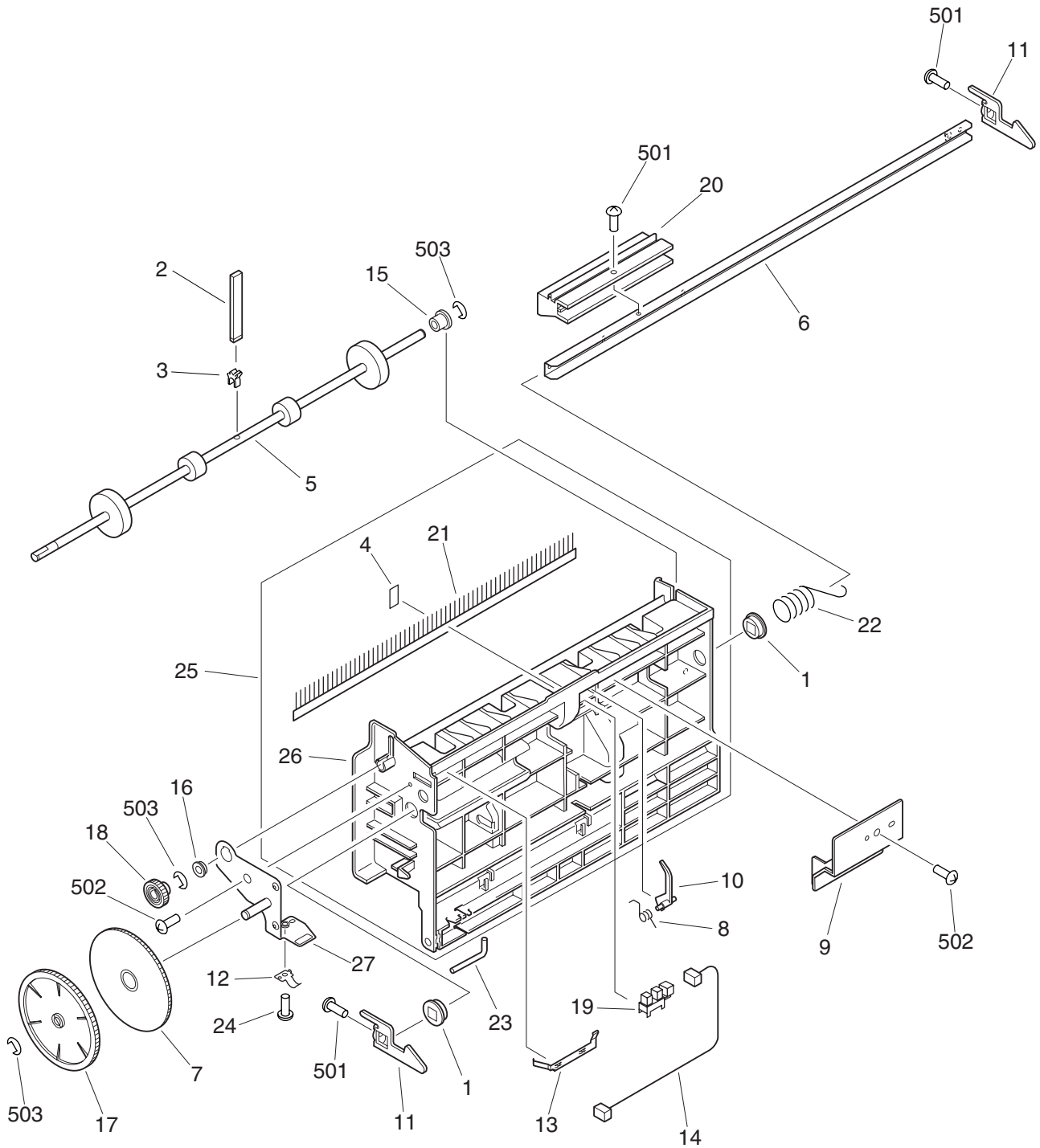
ITEM NO.	PARTS NO.	PARTS NAME	Q'TY / PAGE	Q'TY / PACK	P	I	R	BSI NO.	TO	T	FROM	SERIAL NO.	REMARKS	C
0	44210804000	ASM-STPL-SADDLE	1	1/C										
1	4402969610	WASHER	2	5/P										
2	44209920000	GUIDE-STPL-2	1	1/P										
3	4402969630	STAPLER-502	2	1/C										
4	4402969810	SPACER-STAPLER	1	5/P										
5	4402969650	SLIDER-UPPER	2	1/P										
6	4402969660	PLATE	1	1/P										
7	4402969670	SLIDER-LOWER	1	1/P										
8	4402969680	COVER-STAPLER	1	1/PP										
9	4402969690	COVER	1	1/P										
10	4402969700	SPL	1	1/P										
11	4402969710	COV-STAPLER	1	1/P										
12	44209923000	WIRE-HARNESS	1	1/P										
13	4407839350	SCREW-M4	2	50/P										
14	4402969740	SCREW-M3*13.6	2	10/P										
15	4402969750	BUSHING	2	1/P										
16	4402969760	SPRING	1	5/P										
17	4402969770	SPRING	2	5/P										
18	44209924000	GUIDE-STPL-3	1	1/P										
19	44209925000	GUIDE-STPL-1	1	1/P										
20	4400792330	SCREW-RS-M4	16	50/P										
21	4402969780	HANDLE	1	1/P										
22	4402969790	SPL	1	1/P										
23	4402969640	SHAFT	1	1/P										
24	4402969820	BASE-STPL-502	1	1/P										
25	4402969860	FRAME-STPL-502	1	1/P										
26	4402969850	GUIDE-STAPLER	1	1/P										
27	4402969830	STOPPER	1	1/P										
28	4402969840	GUIDE	1	1/P										
31	4402969800	SHEET-STAPLER	1	5/P										
501	X0-01821000	S/FPAN-M4X8-ZB	4	10/P										
502	4402016830	ERRING-6.4	1	50/P										
503	X0-01820000	S/FPAN-M4X6-ZB	6	10/P										
504	X0-01279000	S/BID-M4X10-NC	2	10/P										
505	X0-01748000	S/BID-M4X4-ZB	1	10/P										



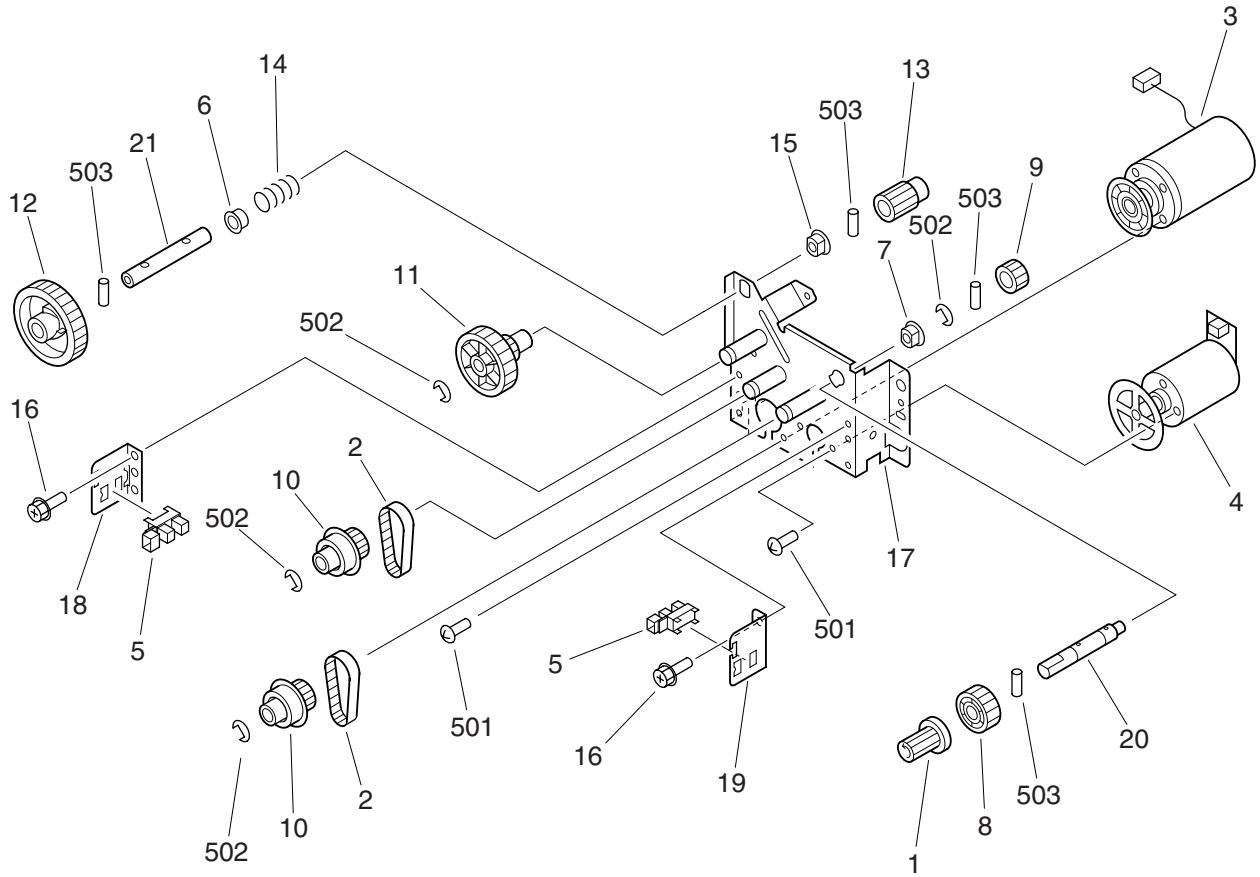
ITEM NO.	PARTS NO.	PARTS NAME	Q'TY / PAGE	Q'TY / PACK	P	I	R	BSI NO.	TO	T	FROM	SERIAL NO.	REMARKS	C
0B	44209926000	ASM-GUIDE-PASS	1	1/C									MJ-1018	
1B	44209927000	WIRE-HARNESS	1	1/P									MJ-1018	
2B	4402969160	BLOCK	2	1/P									MJ-1018	
3B	4402968920	SCREW-M3*8	2	10/P									MJ-1018	
4B	4402969180	ROLLER	1	1/P									MJ-1018	
5B	4402969190	SPRING	1	1/P									MJ-1018	
6B	4402969200	GEAR-16T/P32T	1	1/P									MJ-1018	
7B	4402969210	GEAR-32T/P16T	1	1/P									MJ-1018	
8B	4402969220	PLATE-RACK-REAR	1	1/P									MJ-1018	
9B	4402969230	PLATE-RACK-F	1	1/P									MJ-1018	
10B	4402969240	PLATE-RACK-R	1	1/P									MJ-1018	
11B	4402968330	MOTOR	1	1/C									MJ-1018	
12B	44209928000	GUIDE-ROL	1	1/P									MJ-1018	
13B	4402969270	BRKT-SENSOR	1	1/P									MJ-1018	
14B	4402969280	BELT	1	1/P									MJ-1018	
15B	4402962800	SCO-TLP1242 (C6)	2	1/C									MJ-1018	
16B	4400792330	SCREW-RS-M4	5	50/P									MJ-1018	
17B	4402969310	K-BRKT-MOTOR	1	1/P									MJ-1018	
18B	44209929000	GUIDE-L	1	1/P									MJ-1018	
20B	4402352940	CONNECTOR	2	1/P									MJ-1018	
21B	4402969300	CONNECTOR	1	1/P									MJ-1018	
22B	4402350100	CONNECTOR	2	5/P									MJ-1018	
501B	X0-01741000	S/BID-M3X4-ZB	2	10/P									MJ-1018	
502B	4402016800	ERRING-5	2	50/P									MJ-1018	

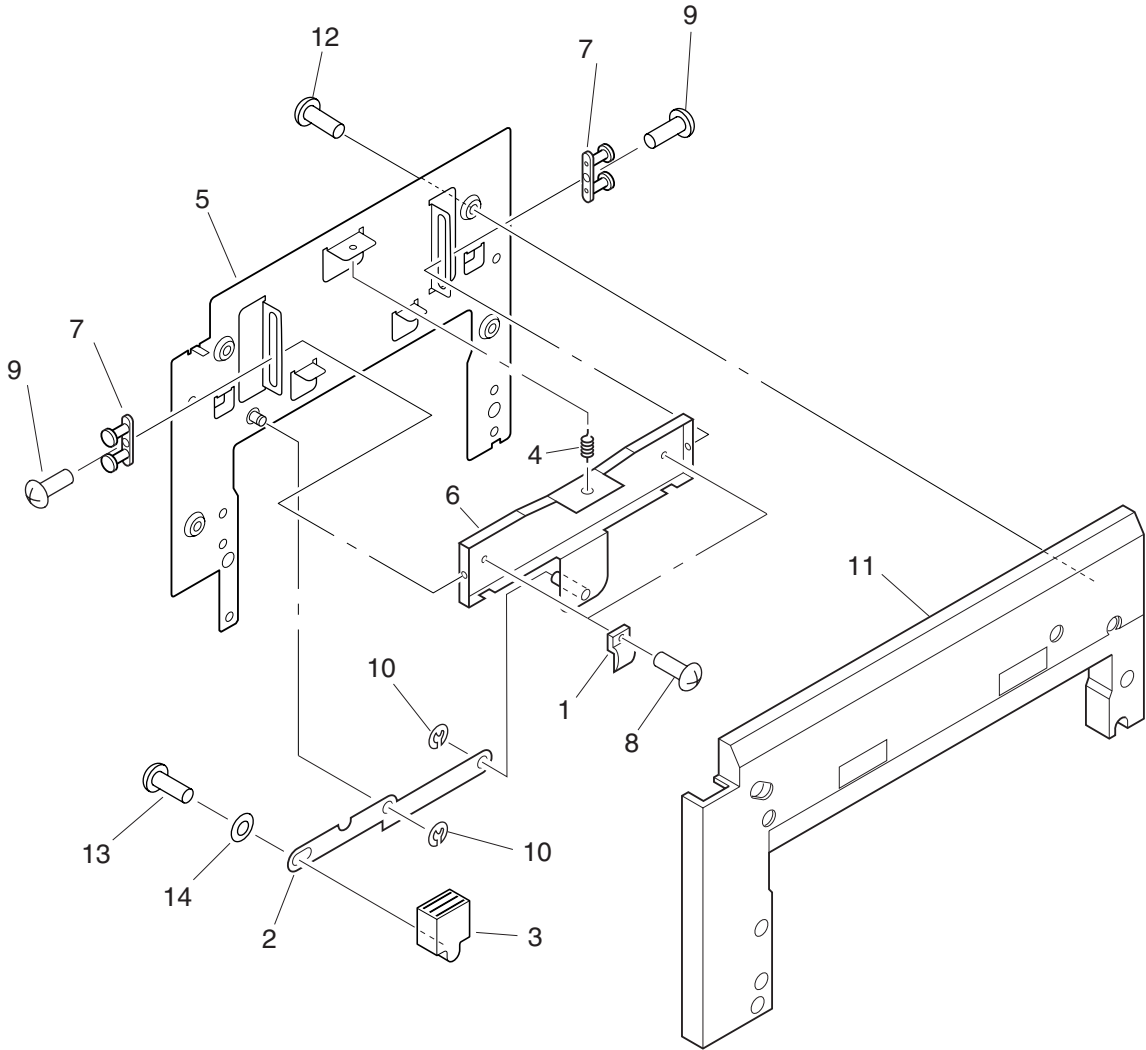


ITEM NO.	PARTS NO.	PARTS NAME	QTY / PAGE	QTY / PACK	PIR	BSI NO.	TO	T	FROM	SERIAL NO.	REMARKS	C
1B	44209930000	ASM-PLATE-IN	1	1/C							MJ-1018	

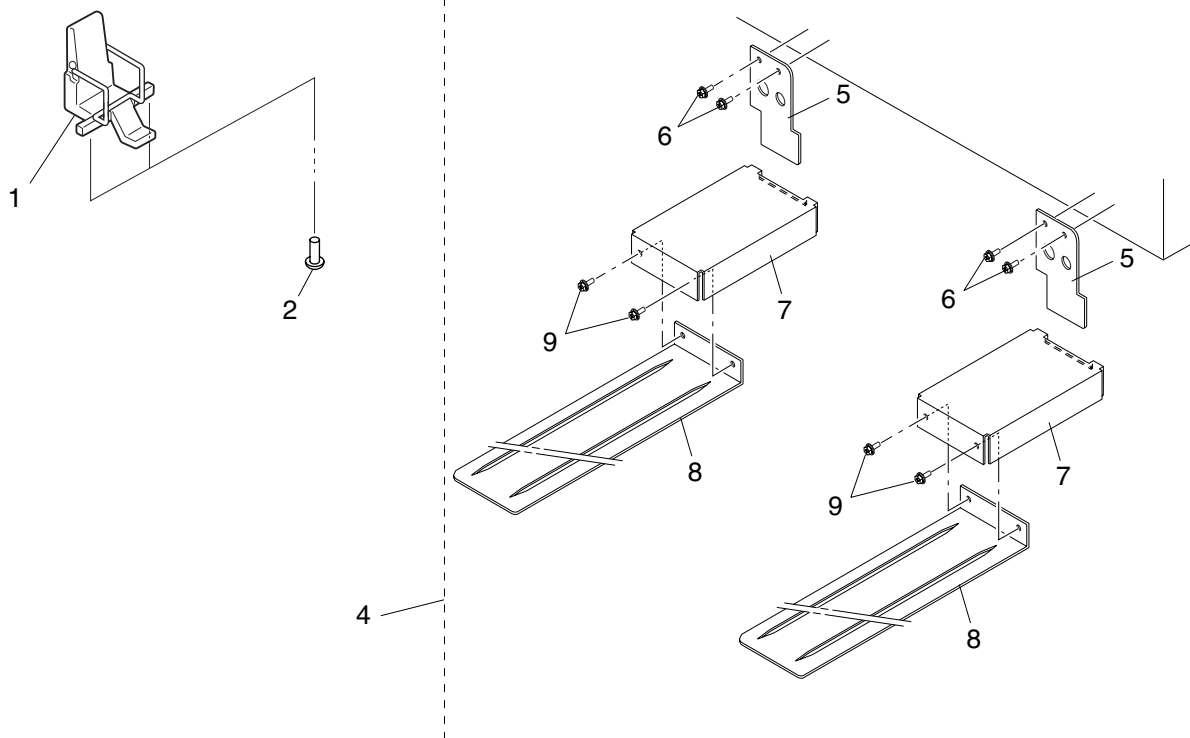


NOTE: This assembly does not include the part shown with item No. 23.





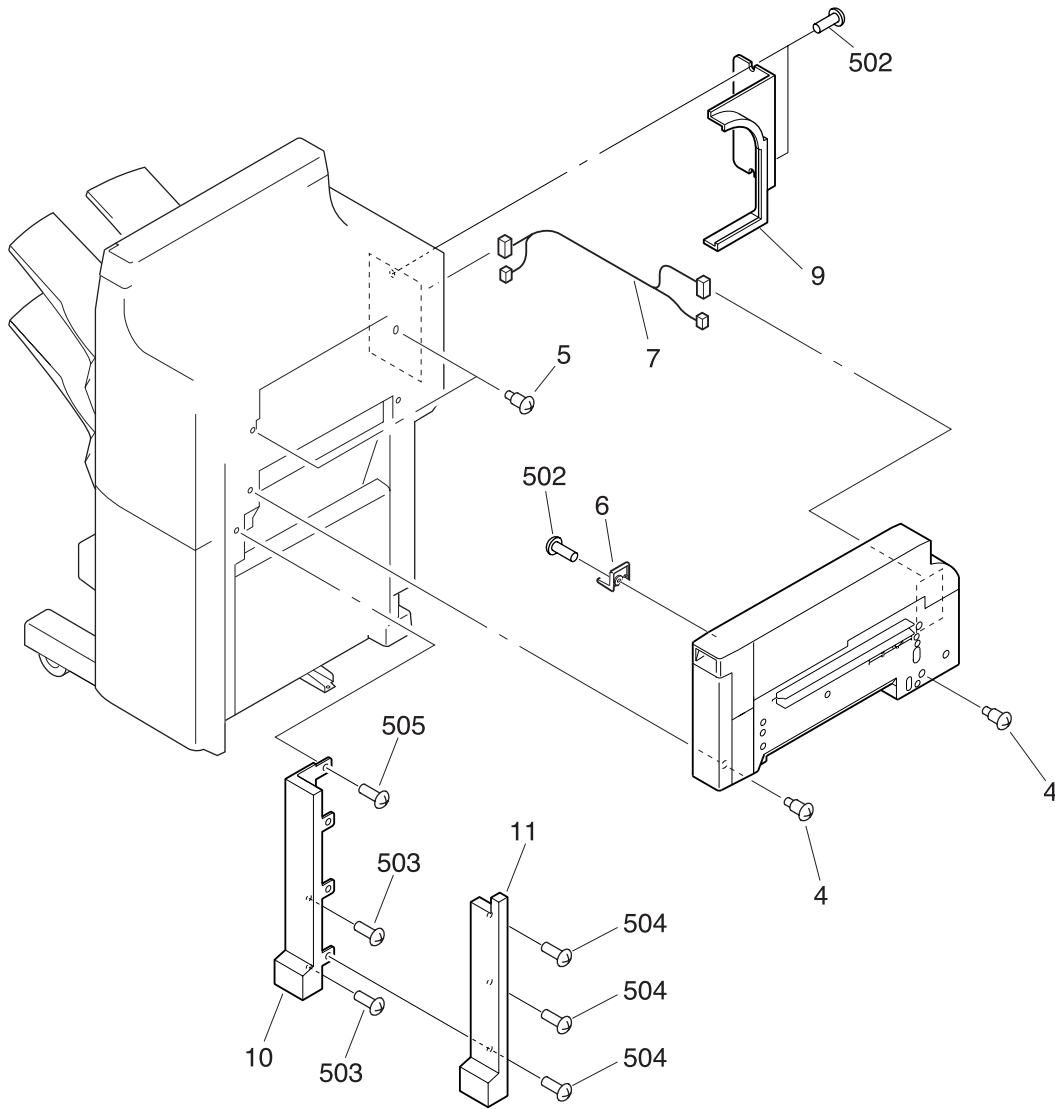
ITEM NO.	PARTS NO.	PARTS NAME	Q'TY / PAGE	Q'TY / PACK	P	I	R	BSI NO.	TO	FROM	SERIAL NO.	REMARKS	C
0	6LA54501000	ASY-LATCH-552	1	1/PP									
1	44209587000	CLAW-LATCH-516	2	1/P									
2	44209942000	ARM-LATCH	1	1/P									
3	44209591000	BUTTON-LATCH	1	1/P									
4	44209943000	SPE	1	5/P									
5	44210816000	COVER-LATCH-R	1	1/PP									
6	44209945000	BRKT-LATCH	1	1/P									
7	44209946000	BRKT-SLIDE	2	1/P									
8	X0-01815000	S/FPAN-M3X6-ZB	2	10/P									
9	X0-01741000	S/BID-M3X4-ZB	2	10/P									
10	4402016800	ERRING-5	2	50/P									
11	6LA54550000	COV-LATCH	1	1/PP									
12	4402015300	PAN-XB47400809	4	50/P									
13	4402015350	PAN-XB47401009	1	50/P									
14	4402016290	OWAS-XD11105235	1	10/P									

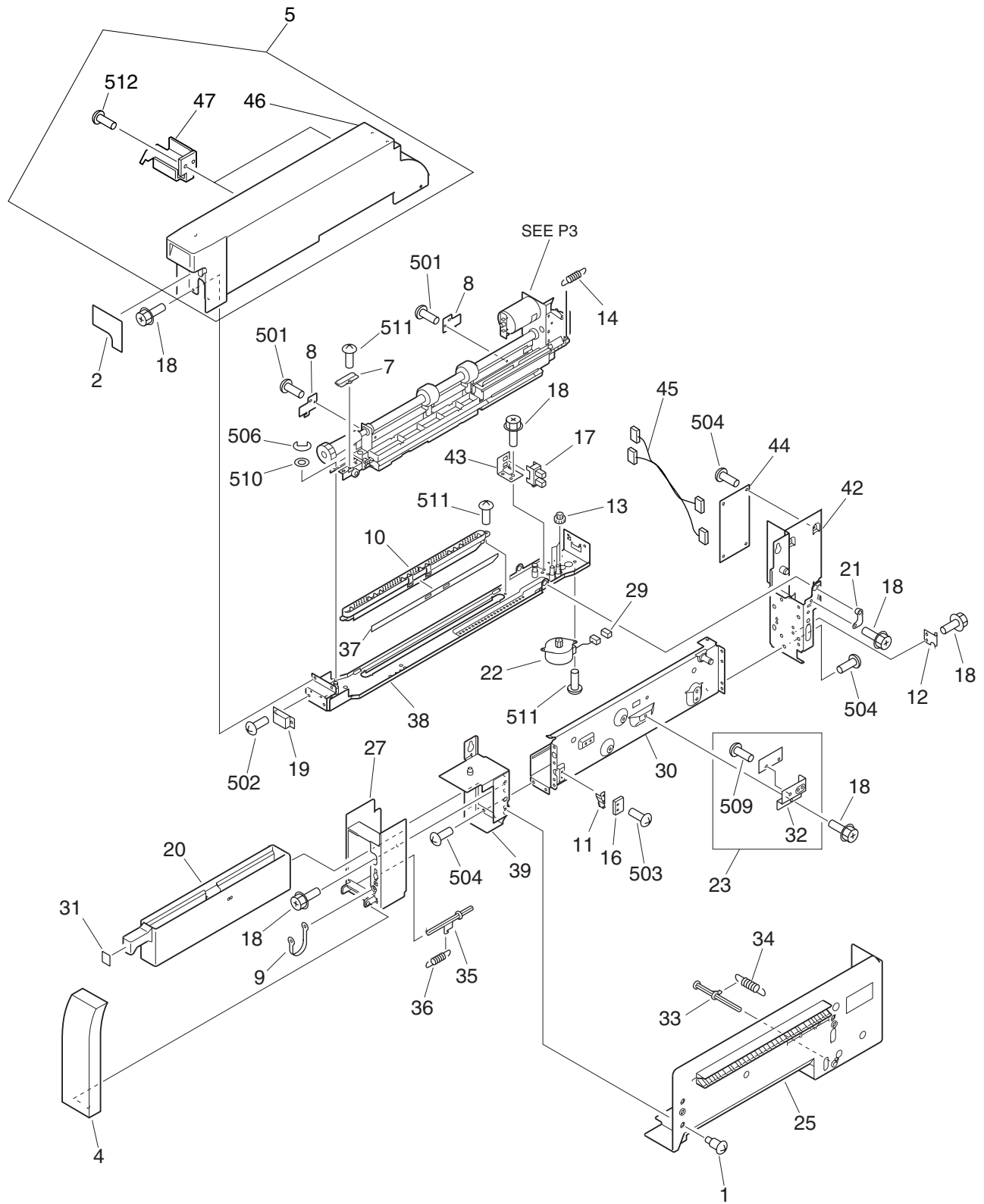


CONTENTS (MJ-6003)

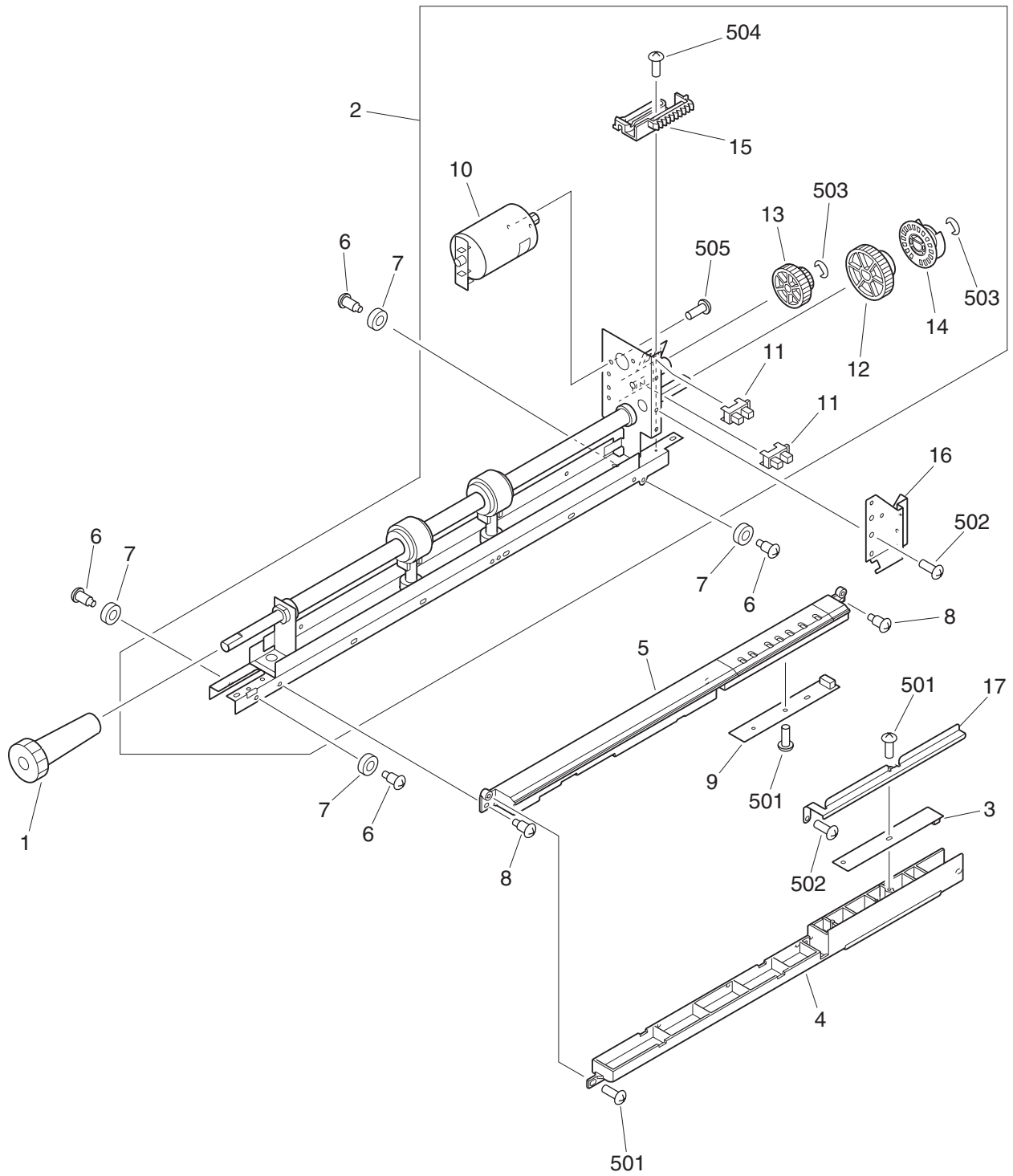
1. ATTACHMENT PARTS 1
2. PUNCH MAIN BODY 2
3. PUNCH SLIDE ASSEMBLY ... 3

PARTS NUMBER INDEX





ITEM NO.	PARTS NO.	PARTS NAME	Q'TY / PAGE	Q'TY / PACK	P	I	R	BSI NO.	TO	T	FROM	SERIAL NO.	REMARKS	C
1	44209653000	SCREW-M4	4	10/P										
2	44209549000	LBL-JAM-PUNCH	1	5/P										
4	6LA54554000	DOOR-PUNCH	1	1/P										
5	44210825000	COVER-TOP-538-T	1	1/P										
7	44209951000	PLATE	1	1/P										
8	44209952000	PLATE	2	1/P										
9	44210657000	TAPE-COV-538-F	1	1/P										
10A	44209954000	DUCT-PUNCH	1	1/P									MJ-6003E	
10B	44209955000	DUCT-PUNCH	1	1/P									MJ-6003N/F/S	
11	44209956000	SPL	1	1/P										
12	44209957000	SPL	1	1/P										
13	44209958000	GEAR-16T/25T	3	1/P										
14	44209959000	SPE	1	5/P										
16	4400790510	MICROSWITCH	1	1/D										
17	44209666000	PHOTO INTERRUPTER	1	1/C										
18	4400792330	SCREW-RS-M4	8	50/P										
19	4407837720	MAGNET-CATCH	1	1/P										
20	44209961000	BOX-DUST	1	1/P										
21	44209962000	PLATE-PUNCH	1	1/P										
22	44209963000	MOTOR	1	1/C										
23	44209964000	SZ-DUST-PUNCH	1	1/C										
25	6LA54555000	ASY-GUIDE-R	1	1/P										
27	6LA54556000	COV-PUNCH	1	1/P										
29	4402350100	CONNECTOR	1	5/P										
30	44210658000	BRKT-538	1	1/P										
31	44209548000	SEAL	1	5/P										
32	44209965000	HOLDER-SENSOR	1	1/P										
33	44209968000	ARM-SENSOR	1	1/P										
34	4402349880	SPRING	1	5/P										
35	44209971000	LEVER-DOOR-F	1	1/P										
36	4402349880	SPRING	1	5/P										
37	44210012000	SHEET-DUST	1	5/KP										
38	44210011000	FRAME-PUNCH	1	1/P										
39	44210013000	K-BRKT-PUNCH-F	1	1/P										
42	44210016000	BRKT-PUNCH-R	1	1/P										
43	44210017000	BRKT-SENSOR	1	1/P										
44	44210024000	PWA-F-LGC-518	1	1/SB										
45	44210841000	WIRE-HARNESS	1	1/P										
46	6LA54557000	COV-TOP	1	1/PP										
47	44210848000	BRKT-TOP-538	2	1/P										
501	44209973000	SCREW-TP-M3*4	2	10/P										
502	4402356860	SCREW	2	50/P										
503	4400595930	SCREW	1	50/P										
504	XO-01747000	S/BID-M4X6-ZB	1	110/P										
506	4402016800	ERRING-5	2	50/P										
509	4402015230	PAN-SCREW	1	50/P										
510	4402016440	OWAS-XD11106232	2	10/P										
511	XO-00431000	S/BID-M3X6-ZB	3	10/P										
512	4402352090	SCRW-XB47401207	2	50/P										



ITEM NO.	PARTS NO.	PARTS NAME	QTY / PAGE	QTY / PACK	PIR	BSI NO.	TO	FROM	SERIAL NO.	REMARKS	C
0A	44209975000	ASM-PUNCH-SLIDE	1	1/C						MJ-6003E	
0B	44209976000	ASM-PUNCH-SLIDE	1	1/C						MJ-6003N	
0C	44209977000	ASM-PUNCH-SLIDE	1	1/C						MJ-6003F	
0D	44209978000	ASM-PUNCH-SLIDE	1	1/C						MJ-6003S	
1	44209979000	KNOB-PUNCH	1	1/P							
2A	44209980000	UNIT-PUNCH-E	1	1/C						MJ-6003E	
2B	44209981000	UNIT-PUNCH-N	1	1/C						MJ-6003N	
2C	44209982000	UNIT-PUNCH-F	1	1/C						MJ-6003F	
2D	44209983000	UNIT-PUNCH-S	1	1/C						MJ-6003S	
3	44209989000	PCB	1	1/C							
4	44209990000	HOLDER-SENS-U	1	1/P							
5	44209991000	HOLDER-SENS-L	1	1/P							
6	4407838280	SCREW-M3	4	50/P							
7	4402351880	ROLLER	4	1/P							
8	44209992000	SCREW-M3	2	10/P							
9	44209993000	PCB	1	1/C							
10	44209984000	MOTOR	1	1/C							
11	44209985000	PHOTO INTERRUPTER	2	1/C							
12	44209986000	GEAR-47T	1	1/P							
13	44209987000	GEAR-19T/57T	1	1/P							
14	44209988000	ENCODER	1	1/P							
15	44210025000	RACK-SLIDE	1	1/P							
16	44210019000	GUIDE-HARNESS	1	1/P							
17	44210020000	PLATE-SENSOR	1	1/P							
501	4402015230	PAN-SCREW	4	50/P							
502	X0-00431000	S/BID-M3X6-ZB	5	10/P							
503	4402016800	ERRING-5	2	50/P							
504	44209994000	SCREW-M3*8	1	10/P							
505A	44209995000	SCREW-M3*10	2	10/P						MJ-6003E	
505B	44209995000	SCREW-M3*10	5	10/P						MJ-6003N	
505C	44209995000	SCREW-M3*10	4	10/P						MJ-6003F/6003S	

TOSHIBA

TOSHIBA TEC CORPORATION

1-1, KANDA NISHIKI-CHO, CHIYODA-KU, TOKYO, 101-8442, JAPAN