

TOSHIBA

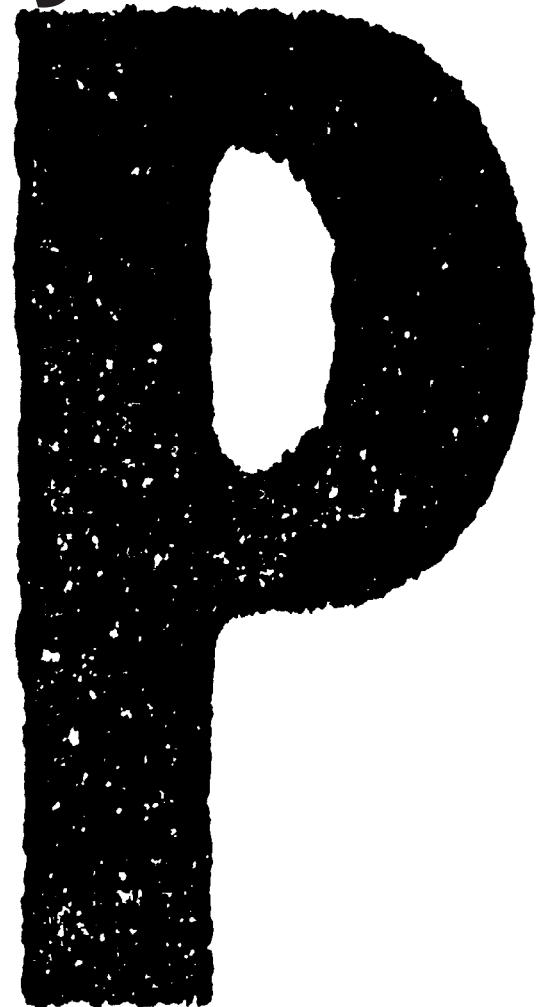
SERVICE PARTS LIST

FINISHER

MJ-1017/1018

HOLE PUNCH UNIT

MJ-6003



Copyright 2002

TOSHIBA TEC CORPORATION

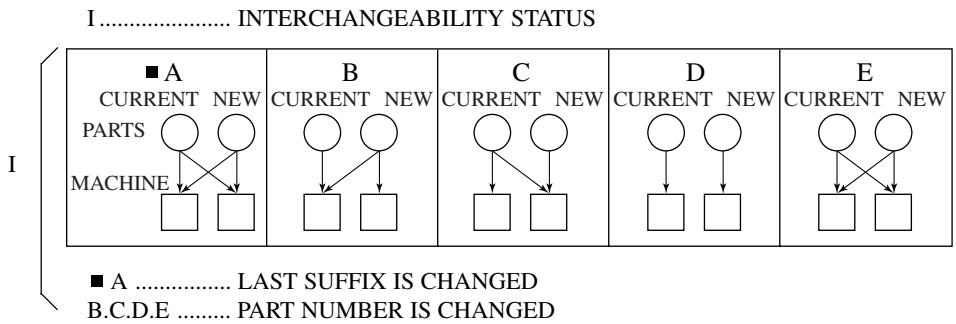
EXPLANATION OF SERVICE-PARTS LIST

1. HOW TO READ THE PARTS LIST

- (1) Number of pieces
The number of pieces in the list denotes total pieces used per unit. But the numbers in the list for PACKING MATERIAL and ACCESSORY denote total pieces used per machine.
- (2) One pack of screws in the list includes 50 pieces.
- (3) ABBREVIATED CODES

QTY/PAC	{	QTY	one piece
		PAC	one pack
		1/P	one piece packed in polyethylene bag
		1/S	one piece packed in special pack
		1/C	one piece packed in carton box
		1/PP	one piece packed in paper and polyethylene bag
		1/KP	one piece packed in polyethylene bag with cardboard
		1/D	one piece packed in polyethylene-cushion bag
		1/SB	one piece packed in shielding bag
N/A	not available		

P	{	P	PURPOSE
		A	ADD
		B	DELETE
		C	CHANGE
		D	QTY, CHANGE
		E	MISENTRY
		F	OMISSION



2. HOW TO PLACE ORDER FOR PARTS

- (1) The parts handled as service parts are only those with their "QTY/PACK" column listed with a quantity other than "N/A***" or "SUPPLY".
Those parts with "N/A***" are listed only for the purpose of showing the mechanical construction, those listed with "SUPPLY" are handled only as a sales item, and therefore both types of parts are not supplied as service parts.
- (2) Orders for any parts which form a component of a semi-assembled unit are not acceptable.
Note: All the screws and nuts used are ISO standard.

3. REGION

NAD	115V/60Hz, UL & CSA
TWD	110V/60Hz, TAIWAN
SAD	127V/60Hz, SAUDI ARABIA
ASD	220V
	50/60Hz, ASIA, etc.
AUD	240V/50Hz, AUSTRALIA
MJD	230-240V
	50/60Hz, EUROPE
UKD	230-240V
	50/60Hz, UNITED KINGDOM

NOTICE EXPLICATIVE DE LA LISTE DES PIECES DE RECHANGE

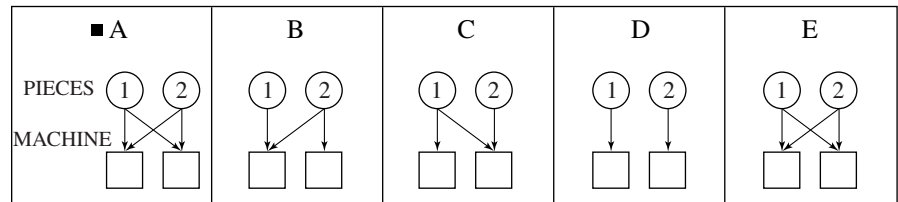
1. COMMENT UTILISER LA LISTE DES PIECES DE RECHANGE

- (1) Nombre de pièces
Le nombre de pièces indiqué sur la liste est le nombre total de pièces utilisées pour chaque unité.
Toutefois, le nombre indiqué sur la liste EMBALLAGE ACCESSOIRES est le nombre total de pièces utilisées pour chaque machine.
- (2) Un paquet de vis indiqué sur la liste contient 50 vis.
- (3) ABREVIATIONS

Q'TY/PAC	{	QTY une pièce
		PAC un paquet
		1/P une pièce emballée dans un sac en polyéthylène
		1/S une pièce emballée dans un sac spécial
		1/C une pièce emballée dans une boîte en carton
		1/PP une pièce emballée dans un sac en papier et en polyéthylène
		1/KP une pièce emballée dans un sac en polyéthylène avec carton
		1/D une pièce emballée dans un sac rembourré en polyéthylène
1/SB une pièce emballée dans		
N/A*** non disponible		

P	{	P BUT
		A AJOUTER
		B SUPPRIMER
		C MODIFIER
		D CHANGEMENT DE QUANTITE
		E INSCRIPTION ERRONEE
		F OMISSION

I INTERCHANGEABILITE



- ① ACTUELLE ② NOUVELLE
- A LE DERNIER SUFFIXE EST CHANGE
B.C.D.E LE NOMBRE DE PIECES EST CHANGE

2. COMMENT COMMANDER LES PIECES

- (1) Les pièces de rechange sont uniquement celles qui sont mentionnées dans la colonne "Q'TY/PACK" avec une quantité autre que "N/A***" ou "SUPPLY".
Les pièces dans la colonne "N/A***" sont mentionnées uniquement dans le but d'indiquer la construction mécanique. Les pièces dans la colonne "SUPPLY" sont destinées uniquement à la vente. Par conséquent, ces deux types de pièces ne sont pas fournies en tant que pièces de rechange.
- (2) Les commandes de toute pièce formant un élément ou une unité semi-assemblée ne seront pas acceptées.
Nota: Toutes les vis et tours le écrous seront conformes au code ISO.

3. PAYS

NAD	115V/60Hz, UL & CSA
TWD	110V/60Hz, TAIWAN
SAD	127V/60Hz, ARABIE SAOUDITE
ASD	220V
	50/60Hz, ASIE, etc.
AUD	240V/50Hz, AUSTRALIE
MJD	230-240V
	50/60Hz, EUROPE
UKD	230-240V
	50/60Hz, ROYAUME-UNI

ERKLÄRUNG DES ERSATZTEIL-KATALOGES

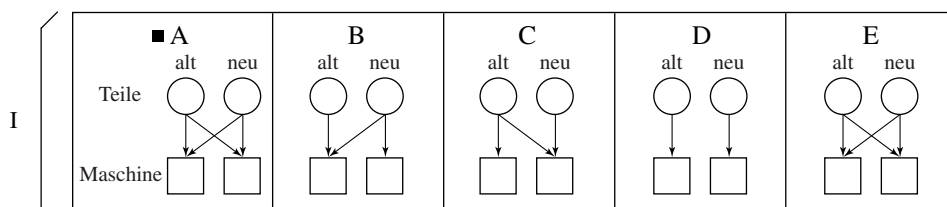
1. WIE LIEST MAN DIE TEILELISTE?

- (1) Die Teileanzahl
Die Anzahl der Teile in der Liste, drücken die gesamten Teile pro Verpackungseinheit aus. Aber die Zahl in der Liste "Packing" (Verpackung) und "Accessory" (Zubehör) beschreibt die gesamte Teileanzahl pro Maschine.
- (2) Eine Verpackungseinheit SCHRAUBEN enthält 50 Stück.
- (3) Abkürzungscode

QTY/PAC	{	QTY	Stück
		PAC	Packung
		1/P	ein Stück in einem Plastikbeutel
		1/S	ein Stück in einer Spezialverpackung
		1/C	ein Stück in einem Karton
		1/PP	ein Stück in Papier und einem Plastikbeutel
		1/KP	ein Stück in einem Plastikbeutel mit Pappdeckel
		1/D	ein Stück in einem gepolsterten Plastikbeutel
N/A	nicht lieferbar		
1/SB	ein Stück in einer Schutzhülle		

P	{	P	Zweck
		A	Zusätzlich
		B	Entfernen
		C	Ändern
		D	Menge geändert
		E	Fehlangabe
F	Weglassen		

I Austauschbar untereinander



- A letzte Ziffer ist geändert
- B.C.D.E Teilenummer ist geändert

2. WIE WERDEN ERSATZTEILE BESTELLT?

- (1) Die Ersatzteile für den Service haben in der Spalte "QTY/PACK" eine Nummer.
Die Teile mit der Angabe "N/A****" sind nur aufgeführt, um die technische Konstruktion zu zeigen und sind einzeln nicht lieferbar.
Die Bezeichnung "SUPPLY" weist darauf hin, daß dieses Teil als Zubehör gehandelt wird und beim Verkauf bestellt werden muß.
- (2) Bestellungen für Einzelteile, die einer Baueinheit angehören können nicht akzeptiert werden.
Hinweis: Alle Schrauben und Muttern werden nach dem ISO-Standard hergestellt.

3. REGION

NAD	115V/60Hz, UL & CSA
TWD	110V/60Hz, TAIWAN
SAD	127V/60Hz, SAUDI-ARABIEN
ASD	220V
	50/60Hz, ASIEN, usw.
AUD	240V/50Hz, AUSTRALIEN
MJD	230-240V
	50/60Hz, EUROPA
UKD	230-240V
	50/60Hz, GROSSBRITANNIEN

SPIEGAZIONE DELLA LISTA DEI PEZZI DI RICAMBIO

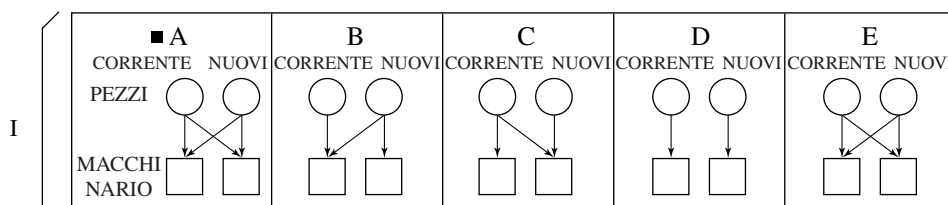
1. COME LEGGERE LA LISTA DEI PEZZI DI RICAMBIO

- (1) Numero dei pezzi
Il numero dei pezzi indica il totale dei pezzi per elemento. I numeri nella lista del materiale d'imballaggio e accessori indicano il totale dei pezzi per macchina.
- (2) Nella lista, un pacco di viti contiene 50 viti.
- (3) ABBREVIAZIONI

QTY/PAC	{	QTY	un pezzo
		PAC	un pacco
		1/P	un pezzo imballato in sacco di polietilene
		1/S	un pezzo imballato in pacco speciale
		1/C	un pezzo imballato in scatola di cartone
		1/PP	un pezzo imballato in sacco di polietilene e carta
		1/KP	un pezzo imballato in sacco di polietilene con cartone
		1/D	un pezzo imballato in sacco morbido di polietilene
	1/SB	un pezzo imballato in sacco di protezione	
	N/A	non disponibile	

P	{	P	scopo
		A	aggiunta
		B	annullamento
		C	modifica
		D	modifica QTY
		E	ingresso errato
		F	omissione

I stato di intercambiabilità



■ A modifica dell'ultimo suffisso
B.C.D.E modifica del numero di pezzo

2. ORDINAZIONE DEI PEZZI

- (1) I pezzi usati come pezzi di ricambio sono elencati nella colonna "QTY/PACK" con una quantità differente da "N/A***" o "SUPPLY".
I pezzi con "N/A***" sono elencati solamente per mostrare la costruzione meccanica e quelli con "SUPPLY" sono elencati solamente come articoli di vendita: ciò significa che questi due tipi di pezzi non sono forniti come pezzi di ricambio.
- (2) L'ordinazione dei pezzi non viene accettata quando questi pezzi formano un componente di un messo elemento.
Nota: Tuttle le viti e i dadi sono standard ISO.

3. NAZIONE

NAD	115V/60Hz, UL & CSA
TWD	110V/60Hz, TAIWAN
SAD	127V/60Hz, ARABIA SAUDITA
ASD	220V
	50/60Hz, ASIA, ecc.
AUD	240V/50Hz, AUSTRALIA
MJD	230-240V
	50/60Hz, EUROPA
UKD	230-240V
	50/60Hz, GRAN BRETAGNA

EXPLICACION DE LA LISTA DE PIEZAS DE SERVICIO

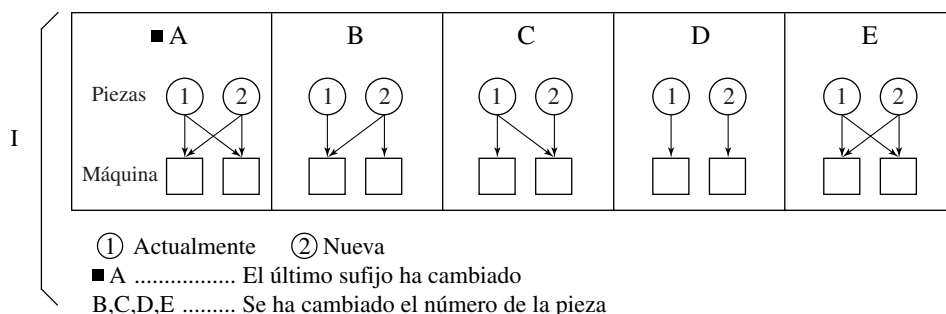
1. Cómo se lee la lista de piezas

- (1) El número de piezas
El número de piezas en la lista especifica las piezas totales usada pou unidad, mientras que el número en la lista para METERIAL DE EMBALAJE y ACCESORIOS especifica las piezas totales usadas por máquina.
- (2) En el paquete de tornillos se incluyen 50 unidades.
- (3) Códigos abreviados

QTY/PAC	{	QTY	una pieza
		PAC	una paquete
		1/P	una pieza empaquetada en la bolsa de politileno
		1/S	una pieza empaquetada en paquete especial
		1/C	una pieza empaquetada en caja de cartón
		1/PP	una pieza empaquetada en papel y bolsa de politileno
		1/KP	una pieza empaquetada en bolsa de politileno con cartón
		1/D	una pieza empaquetada en bolsa almohadillada de politileno
1/SB	una pieza empaquetada en una		
N/A	bolsa protegida		

P	{	P	PROPOSITO
		A	AÑADIR
		B	BORRAR
		C	CAMBIO
		D	CANTIDAD, CAMBIO
		E	ENTRADA ERRONEA
		F	OMISION

I SITUACION DE INTERCAMBIABILIDAD



2. Cómo realizar un pedido de piezas

- (1) Las piezas consideradas como piezas de servicio son sólo aquellas designadas con Q'TY/PACK y no las designadas con N/A ... o SUPPLY.
Aquellas piezas con N/A ... se ponen en lista sólo con el propósito de mostrar la construcción mecánlca. Aquéllas piezas designadas bajo SUPPLY se consideran sólo como un artículo para ventas y por lo tanto ambos tipos de piezas no se consideran como piezas de servicio.
- (2) Los pedidos para cualquier pieza que forme un componente de la unidad semiensamblada no será aceptados.
NOTA: todos los tornillos y tuercas son del estandar ISO.

3. PAISES

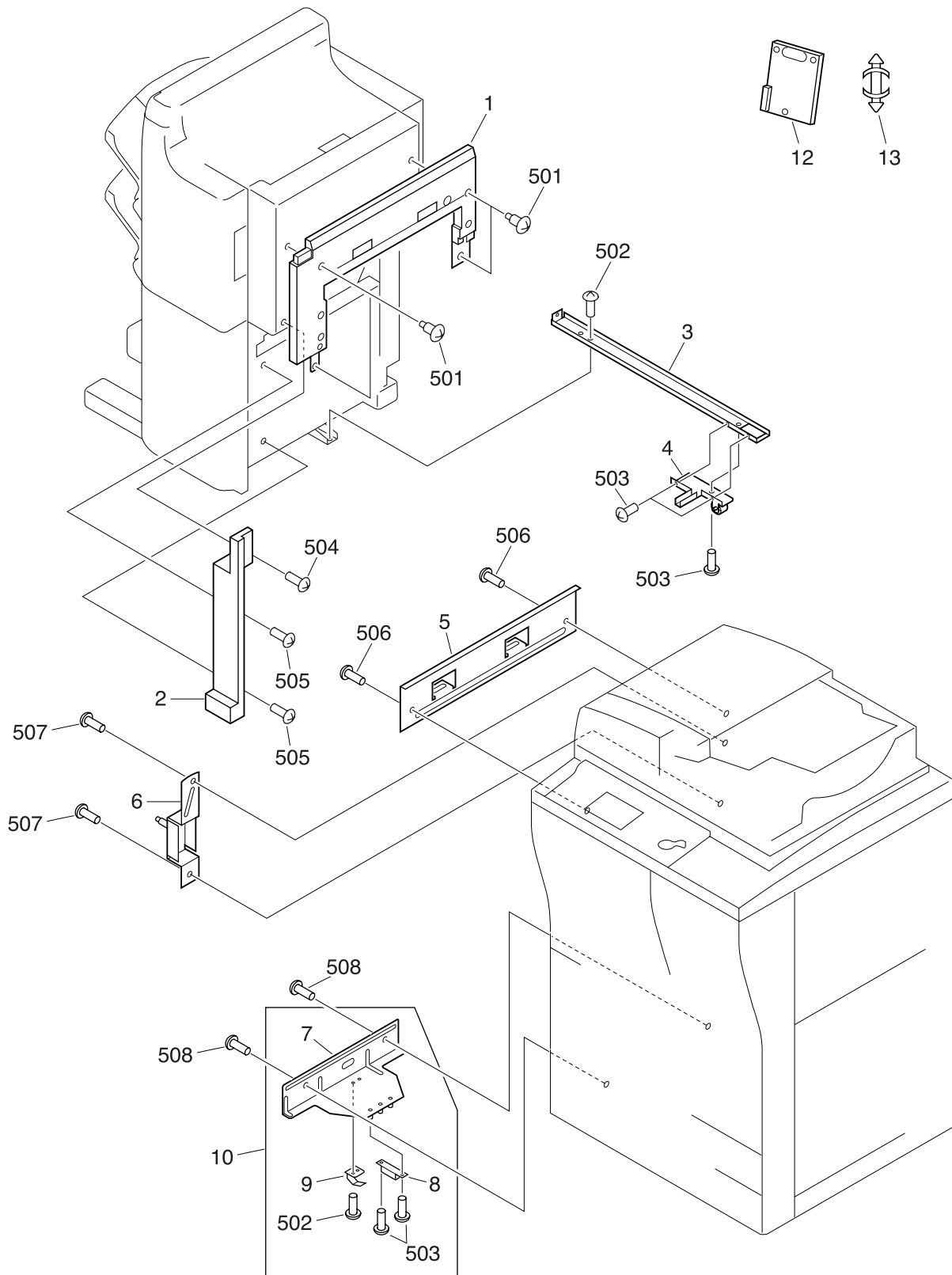
NAD	115V/60Hz, UL & CSA
TWD	110V/60Hz, TAIWAN
SAD	127V/60Hz, SAUDI ARABIA
ASD	220V
	50/60Hz, ASIA, etc.
AUD	240V/50Hz, AUSTRALIA
MJD	230-240V
	50/60Hz, EUROPA
UKD	230-240V
	50/60Hz, GRAN BRETAÑA

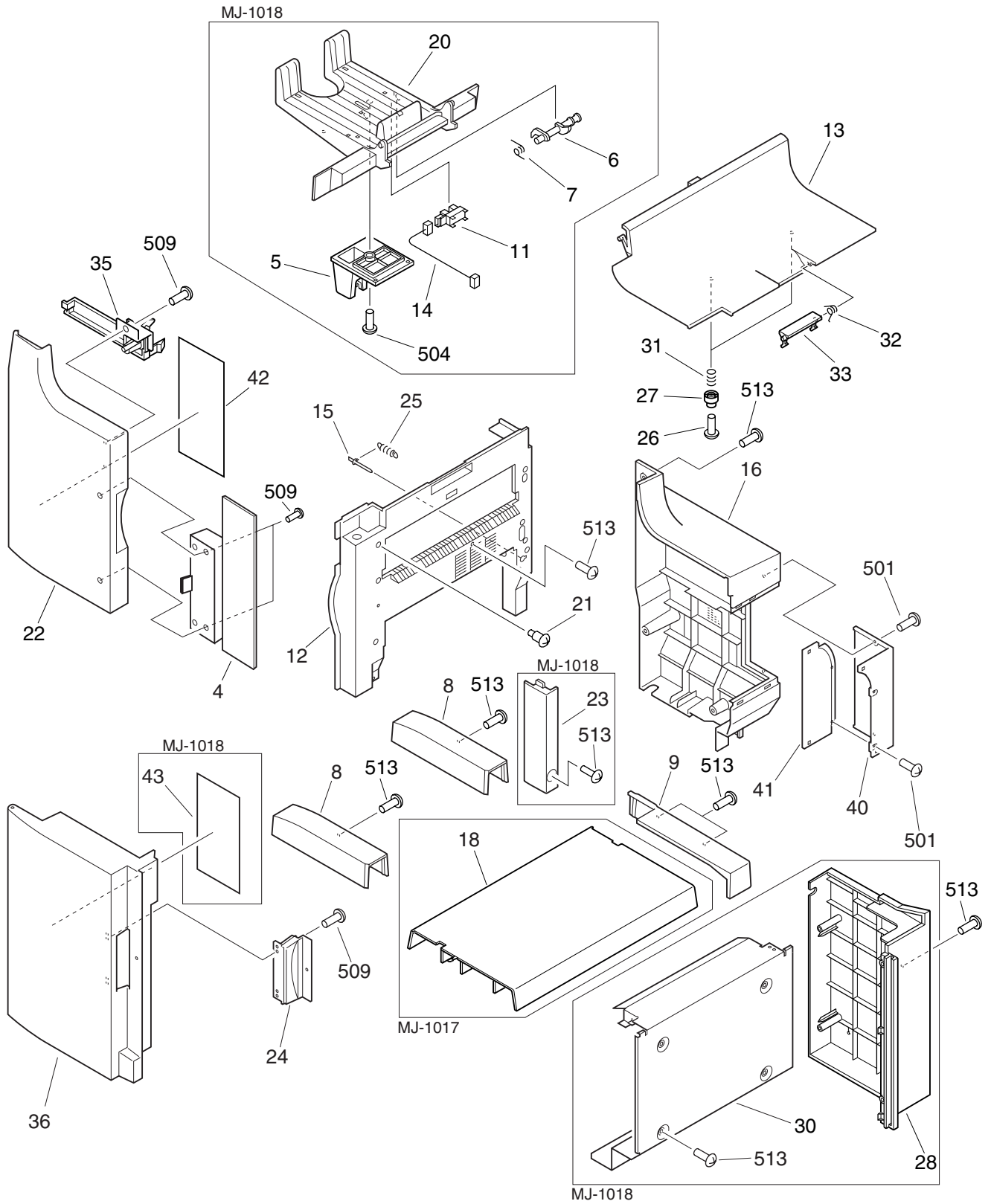
CONTENTS (MJ-1017/1018)

1. ATTACHMENT PARTS	1
2. EXTERNAL COVERS, PANELS, ETC. (1/2)	2
3. EXTERNAL COVERS, PANELS, ETC. (2/2)	3
4. FINISHER MAIN BODY (1/2)	4
5. FINISHER MAIN BODY (2/2)	5
6. CABLE MAIN BODY ASSEMBLY	6
7. UPPER TRAY ASSEMBLY	7
8. LOWER TRAY ASSEMBLY	8
9. FEEDER DRIVE ASSEMBLY	9
10. FEEDER ASSEMBLY (1/2)	10
11. FEEDER ASSEMBLY (2/2)	11
12. CENTER FEEDER ASSEMBLY	12
13. BUFFER UPPER GUIDE ASSEMBLY	13
14. INLET FEEDER ASSEMBLY	14
15. SWING ASSEMBLY	15
16. SWING GUIDE ASSEMBLY	16
17. STAPLER TRAY ASSEMBLY (1/2)	17
18. STAPLER TRAY ASSEMBLY (2/2)	18
19. STAPLER ASSEMBLY	19
20. SADDLE ASSEMBLY (1/3) (MJ-1018)	20
22. SADDLE ASSEMBLY (2/3) (MJ-1018)	22
23. SADDLE ASSEMBLY (3/3) (MJ-1018)	23
24. SADDLE GUIDE ASSEMBLY (MJ-1018)	24
25. STAPLER ASSEMBLY (MJ-1018)	25
26. PASS LOWER GUIDE ASSEMBLY (MJ-1018)	26
27. INNER SIDE PLATE ASSEMBLY (MJ-1018)	27
28. SADDLE DELIVERY ASSEMBLY (MJ-1018)	28
29. MOTOR MOUNT ASSEMBLY (MJ-1018)	29
30. LATCH ASSEMBLY	30
31. ACCESSORIES/SUPPLY	31

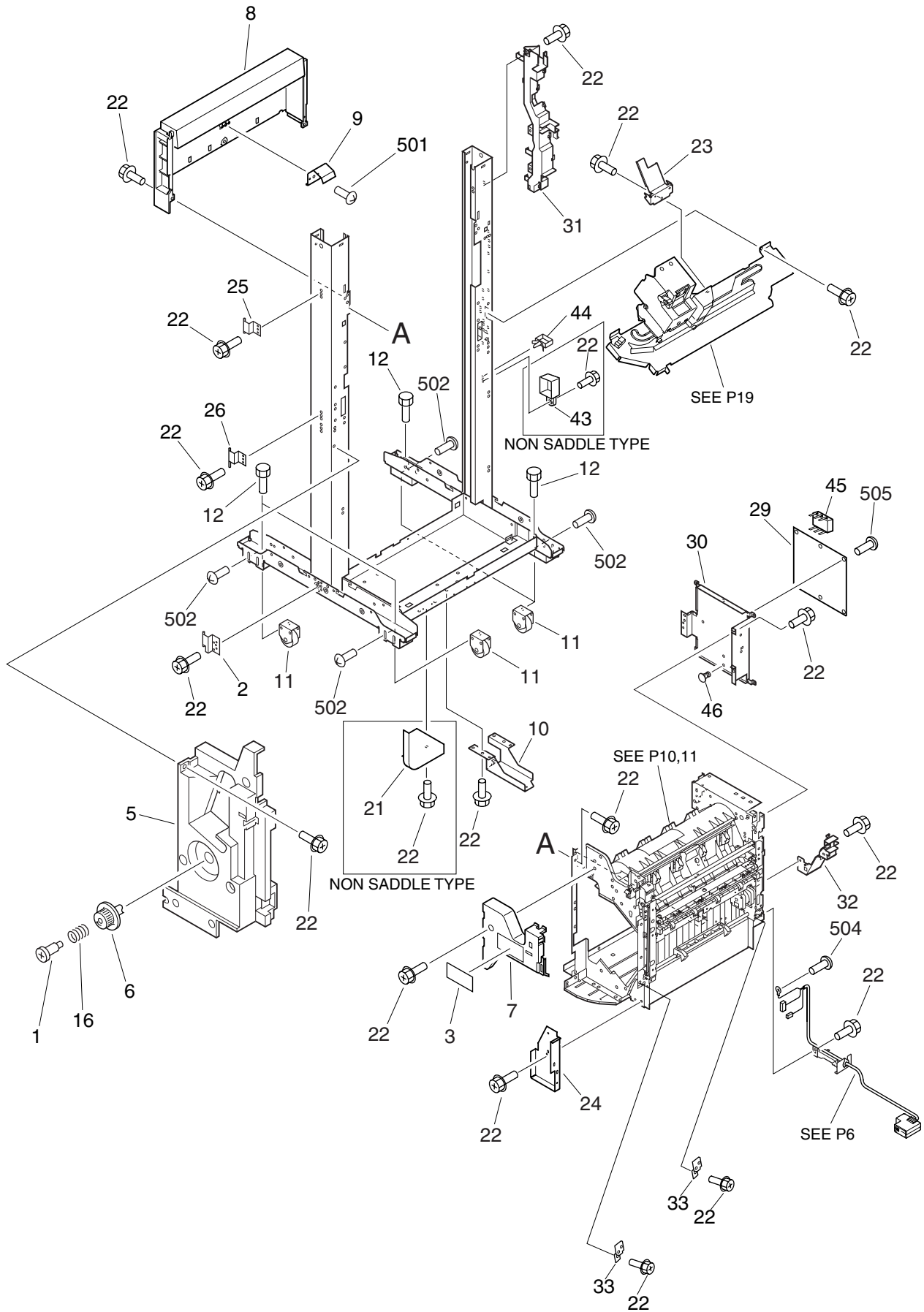
PARTS NUMBER INDEX

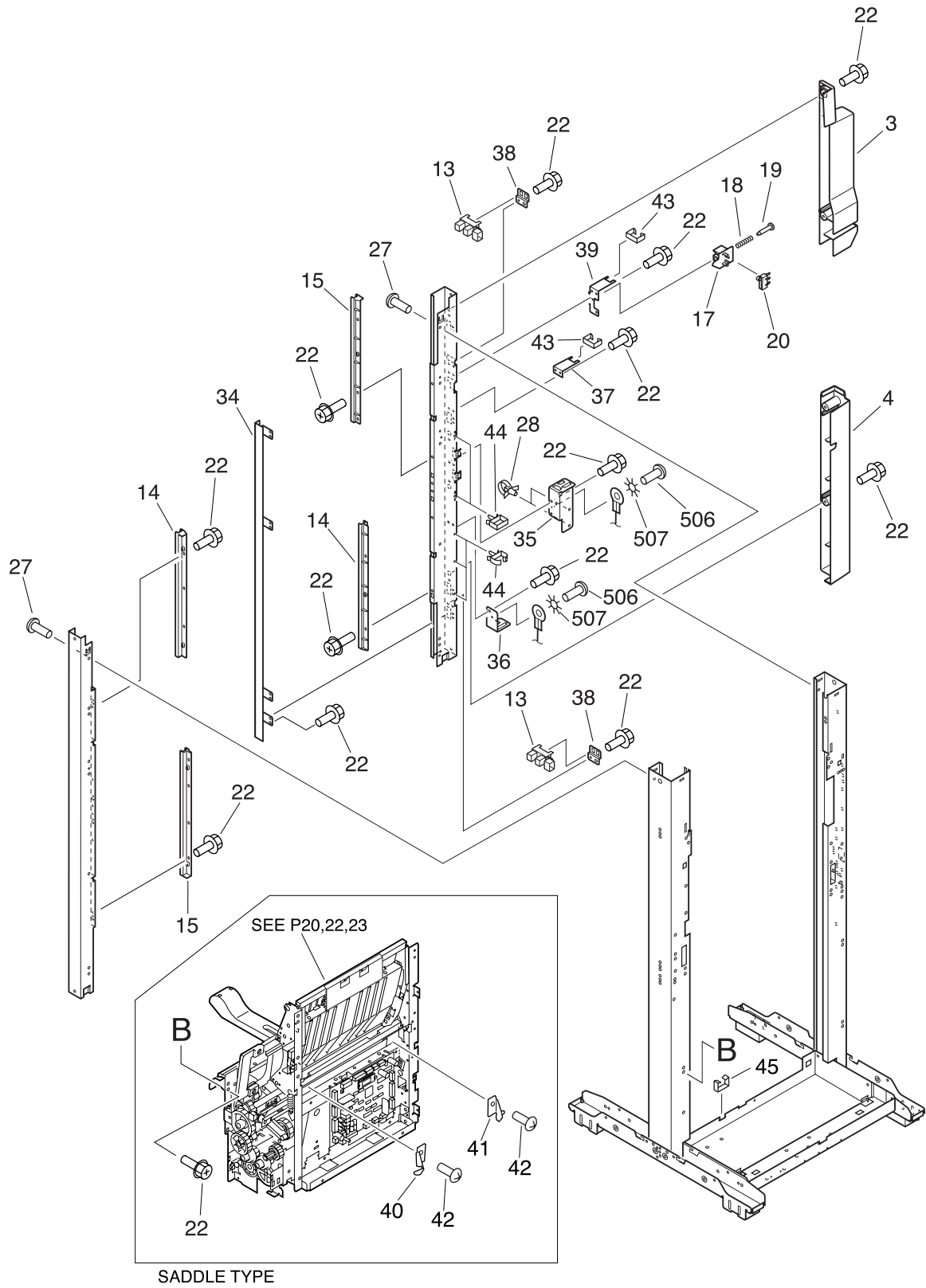
*Page 21 is blank.

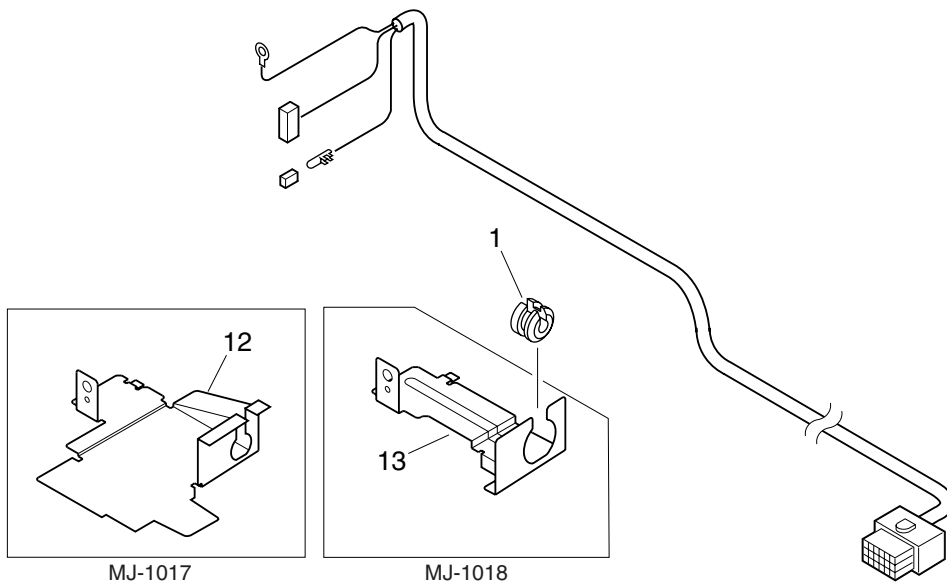


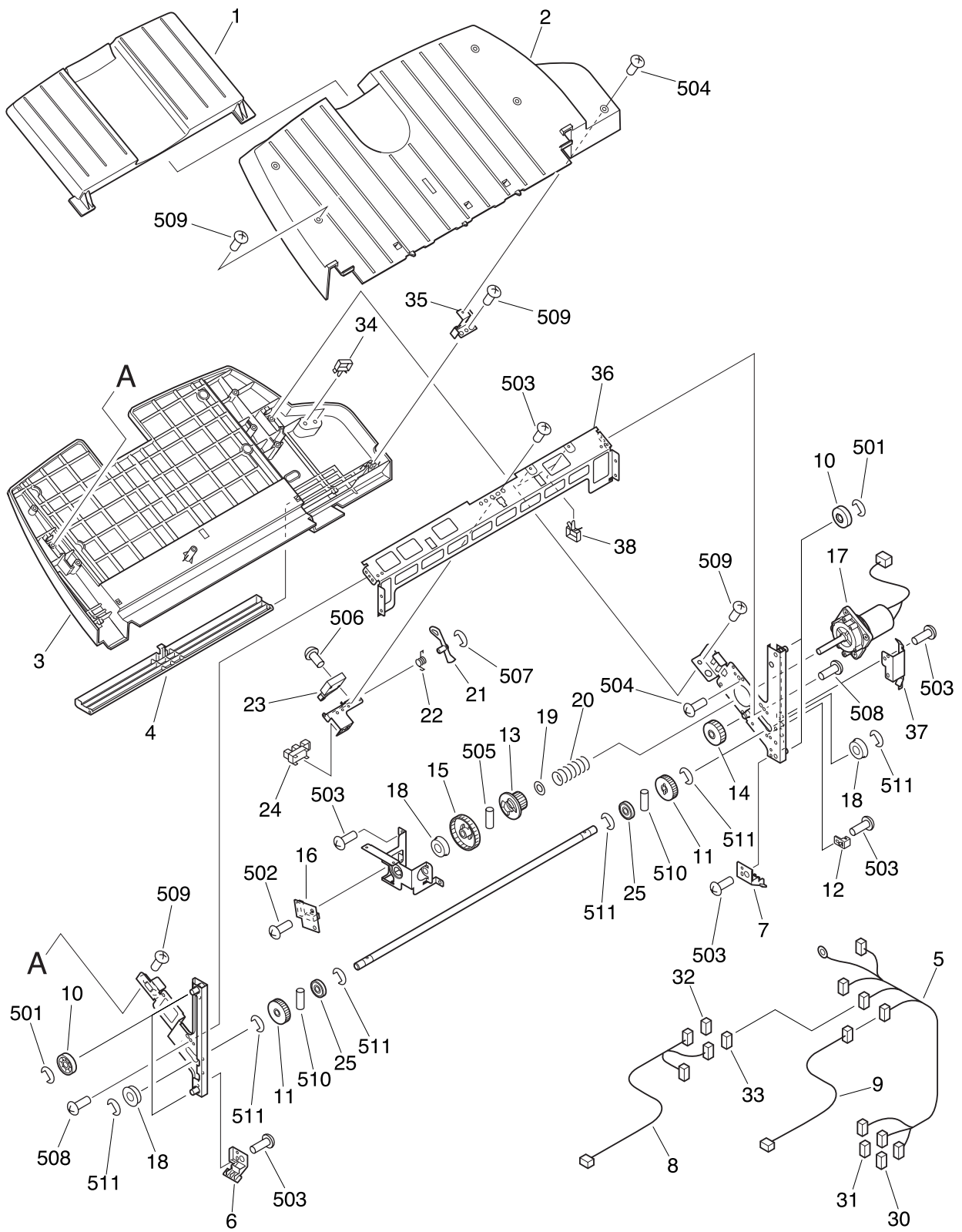


ITEM NO.	PARTS NO.	PARTS NAME	QTY / PAGE	QTY / PACK	P	I	R	BSI NO.	TO	FROM	SERIAL NO.	REMARKS	C
4	6LA54511000	COV-F-552	1	1/P									
5B	44209616000	COV-SENS-TRAY	1	1/P								MJ-1018	
6B	44209611000	LEVER-SENSOR	1	1/P								MJ-1018	
7B	4402966290	SPRING	1	5/P								MJ-1018	
8	44209634000	COV-BOTTOM-A	2	1/P									
9	44209635000	COV-BOTTOM-B	1	1/PP									
11B	4402962800	SCO-TLP1242 (C6)	1	1/C								MJ-1018	
12	6LA54512000	GUID-R	1	1/PP									
13	6LA54513000	COV-TOP-552	1	1/PP									
14B	44209663000	WIRE-HARNESS	1	1/P								MJ-1018	
15	44210701000	FLAG-SENSOR	1	1/P									
16	6LA54514000	COV-R-552	1	1/PP									
18A	44209581000	COVER-BOTTOM	1	1/PP								MJ-1017	
20B	6LA54515000	TRAY-STACK	1	1/PP								MJ-1018	
21	44209653000	SCREW-M4	4	10/P									
22	6LA54516000	COV-F-U	1	1/PP									
23B	44209671000	COV-REAR-R-L	1	1/P								MJ-1018	
24A	44209602000	COV-LATCH-A	1	1/P								MJ-1017	
24B	44209600000	COV-LATCH-B	1	1/P								MJ-1018	
25	4402349880	SPRING	1	5/P									
26	44209660000	SCREW	2	10/P									
27	4402960500	SPACER-795	2	5/P									
28B	44209593000	COVER-REAR	1	1/PP								MJ-1018	
30B	4402966590	COVER-R-B	1	1/PP								MJ-1018	
31	44209662000	SPC	2	5/P									
32	4402349630	SPRING	1	5/P									
33	44209630000	LATCH	1	1/P									
35	44209606000	PLATE	1	1/P									
36A	44209601000	COV-F-516	1	1/PP								MJ-1017	
36B	44209673000	COV-F-L	1	1/PP								MJ-1018	
40	44209596000	COV-CONNECT-1	1	1/P									
41	44209597000	COV-CONNECT-2	1	1/P									
42	44209540000	LABEL-JAM-516	1	1/KP									
43B	44209545000	LBL-JAM-SADDLE	1									MJ-1018	
501	4402352090	SCRW-XB47401207	5	50/P									
504	XO-01286000	S/BID-M4X8-NC	1	10/P									
509	4402961210	SCREW-M4*8	5	10/P									
513	4400792330	SCREW-RS-M4	25	50/P									

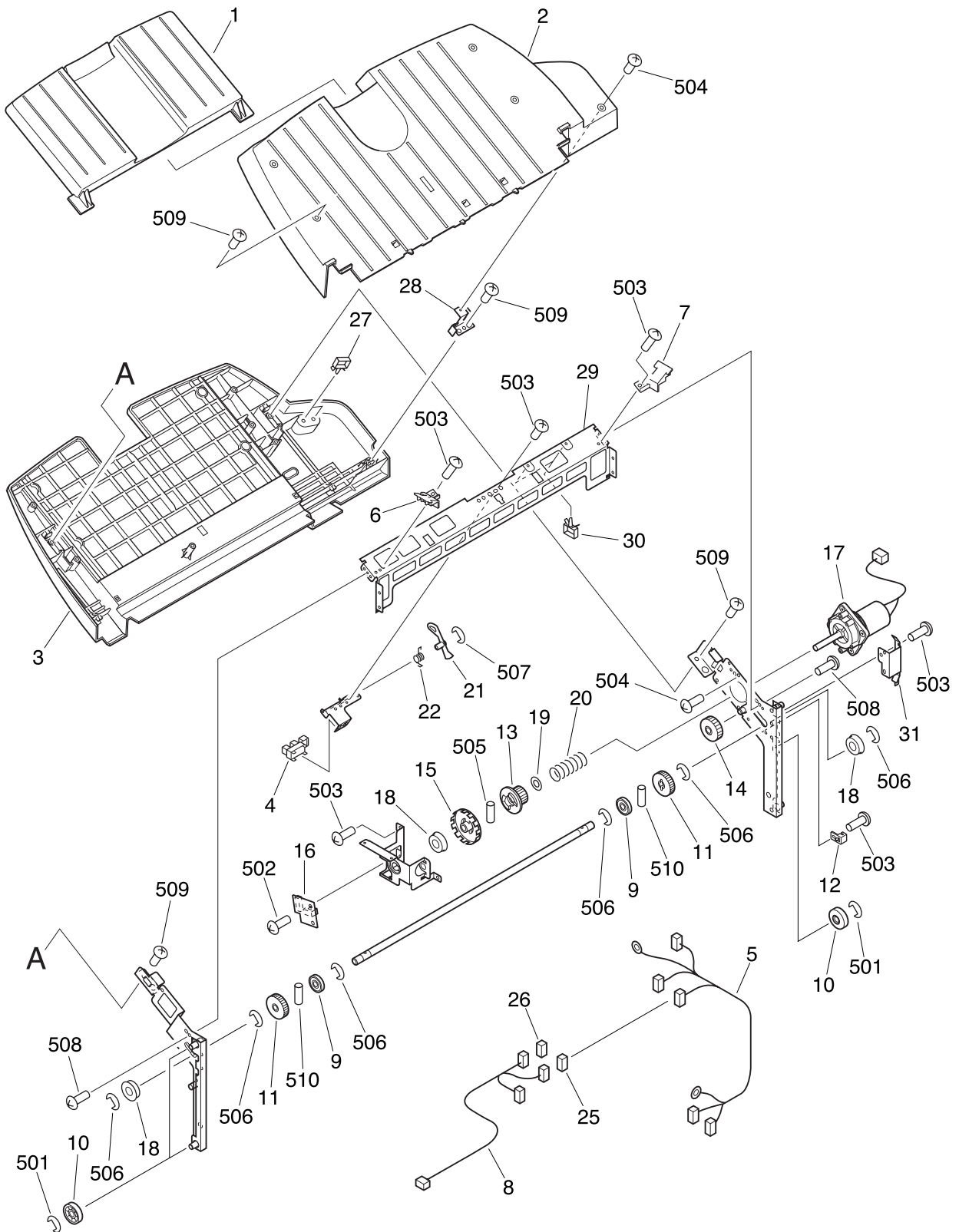




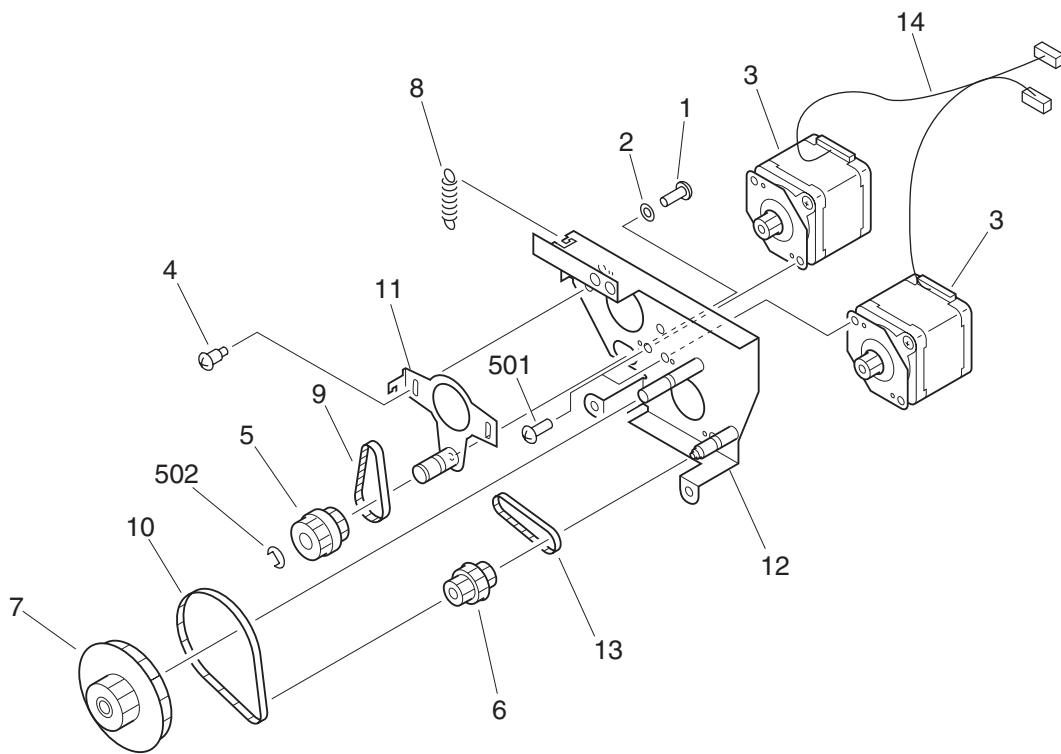




ITEM NO.	PARTS NO.	PARTS NAME	QTY / PAGE	QTY / PACK	PIR	BSI NO.	TO	FROM	SERIAL NO.	REMARKS	C
0	6LA54588000	ASY-TRAY	1	1/PP						UPPER TRAY	
1	6LA54566000	TRAY-SUB	1	1/PP							
2	6LA54567000	TRAY-U	1	1/PP							
3	6LA54568000	TRAY-L	1	1/PP							
4	6LA54589000	LEVER-TRAY	1	1/P							
5	6LA54590000	WIRE-HARNESS	1	1/P							
6	6LA54591000	COLLAR	1	5/P							
7	6LA54592000	COLLAR	1	5/P							
8	6LA54572000	WIRE-HARNESS	1	1/P							
9	6LA54593000	WIRE-HARNESS	1	1/P							
10	6LA54574000	COLLAR	4	5/P							
11	6LA54575000	GEAR-26T	2	1/P							
12	6LA54576000	SLIDER	1	1/P							
13	6LA54577000	GEAR-18T	1	1/P							
14	6LA54578000	GEAR-25T	1	1/P							
15	4402961380	CAM	1	1/P							
16	4402961390	PWA-SENSOR	1	1/C							
17	44209710000	MOTOR	1	1/C							
18	4402355800	BUSHING	3	5/P							
19	4402350690	WASHER	1	10/P							
20	4402350650	SPRING	1	5/P							
21	6LA54559000	LEVER	1	1/P							
22	6LA54560000	SPRING	1	5/P							
23	6LA54561000	MICROSWITCH	1	1/C							
24	44209666000	PHOTO INTERRUPTER	1	1/C							
25	6LA54562000	GEAR	2	1/P							
30	4402352940	CONNECTOR	1	1/P							
31	4402969300	CONNECTOR	1	1/P							
32	4402352940	CONNECTOR	1	1/P							
33	4402969300	CONNECTOR	1	1/P							
34	6LA54620000	CLIP	1	5/P							
35	6LA54621000	BRKT-HOLDER	1	1/P							
36	6LA54622000	BRKT-TRAY	1	1/P							
37	6LA54623000	BRKT-SENSOR-U	1	1/P							
38	4402346920	CLIP	1	5/P							
501	4402016800	ERRING-5	4	50/P							
502	X0-00431000	S/BID-M3X6-ZB	1	10/P							
503	X0-01747000	S/BID-M4X6-ZB	8	10/P							
504	X0-01815000	S/FPAN-M3X6-ZB	3	10/P							
505	7432201608	HPIN20/16SS	1	50/P							
506	X0-01745000	S/BID-M3X14-ZB	1	10/P							
507	6LA54563000	ERR-XD21100320	1	5/P							
508	6LA54564000	SCREW	6	10/P							
509	4402961720	SCREW-M4*12	8	10/P							
510	7432301608	HPIN30/16SS	2	50/P							
511	4402016830	ERRING-6.4	6	50/P							

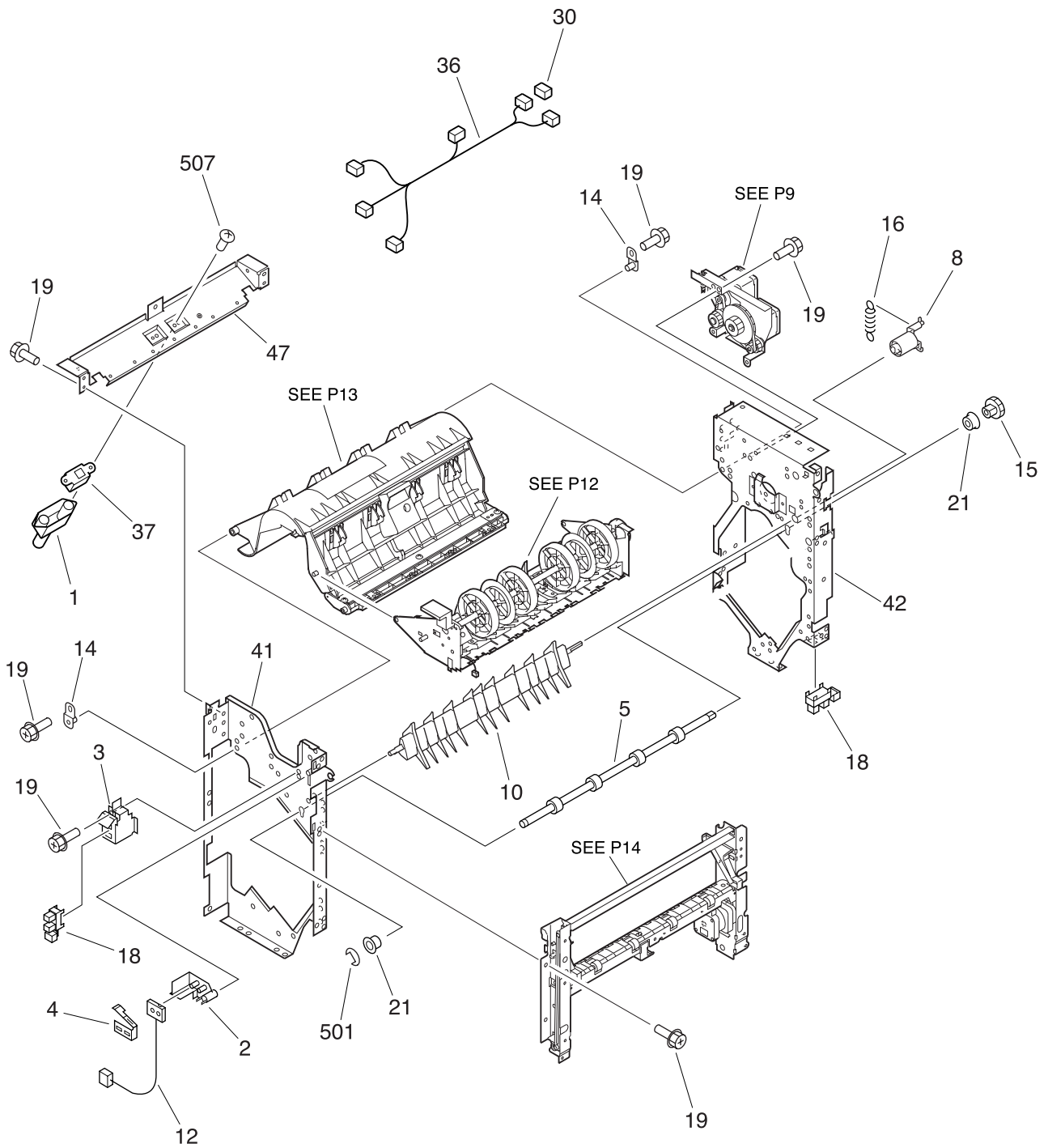


ITEM NO.	PARTS NO.	PARTS NAME	Q'TY / PAGE	Q'TY / PACK	P	I	R	BSI NO.	TO	FROM	SERIAL NO.	REMARKS	C
0	6LA54565000	ASY-TRAY	1	1/PP								LOWER TRAY	
1	6LA54566000	TRAY-SUB	1	1/PP									
2	6LA54567000	TRAY-U	1	1/PP									
3	6LA54568000	TRAY-L	1	1/PP									
4	44209666000	PHOTO INTERRUPT	1	1/C									
5	6LA54569000	WIRE-HARNESS	1	1/P									
6	6LA54570000	COLLAR	1	5/P									
7	6LA54571000	COLLAR	1	5/P									
8	6LA54572000	WIRE-HARNESS	1	1/P									
9	6LA54562000	GEAR	2	1/P									
10	6LA54574000	COLLAR	4	5/P									
11	6LA54575000	GEAR-26T	2	1/P									
12	6LA54576000	SLIDER	1	1/P									
13	6LA54577000	GEAR-18T	1	1/P									
14	6LA54578000	GEAR-25T	1	1/P									
15	4402961380	CAM	1	1/P									
16	4402961390	PWA-SENSOR	1	1/C									
17	44209710000	MOTOR	1	1/C									
18	4402355800	BUSHING	3	5/P									
19	4402350690	WASHER	1	10/P									
20	4402350650	SPRING	1	5/P									
21	6LA54559000	LEVER	1	1/P									
22	6LA54560000	SPRING	1	5/P									
25	4402352940	CONNECTOR	1	1/P									
26	4402969300	CONNECTOR	1	1/P									
27	6LA54620000	CLIP	1	5/P									
28	6LA54621000	BRKT-HOLDER	1	1/P									
29	6LA54622000	BRKT-TRAY	1	1/P									
30	4402346920	CLIP	1	5/P									
31	6LA54624000	BRKT-SENSOR-D	1	1/P									
501	4402016800	ERRING-5	4	50/P									
502	X0-00431000	S/BID-M3X6-ZB	1	10/P									
503	X0-01747000	S/BID-M4X6-ZB	8	10/P									
504	X0-01815000	S/FPAN-M3X6-ZB	3	10/P									
505	7432201608	HPIN20/16SS	1	50/P									
506	4402016830	ERRING-6.4	6	50/P									
507	6LA54563000	ERR-XD21100320	1	5/P									
508	6LA54564000	SCREW	6	10/P									
509	4402961720	SCREW-M4*12	8	10/P									
510	7432301608	HPIN30/16SS	2	50/P									



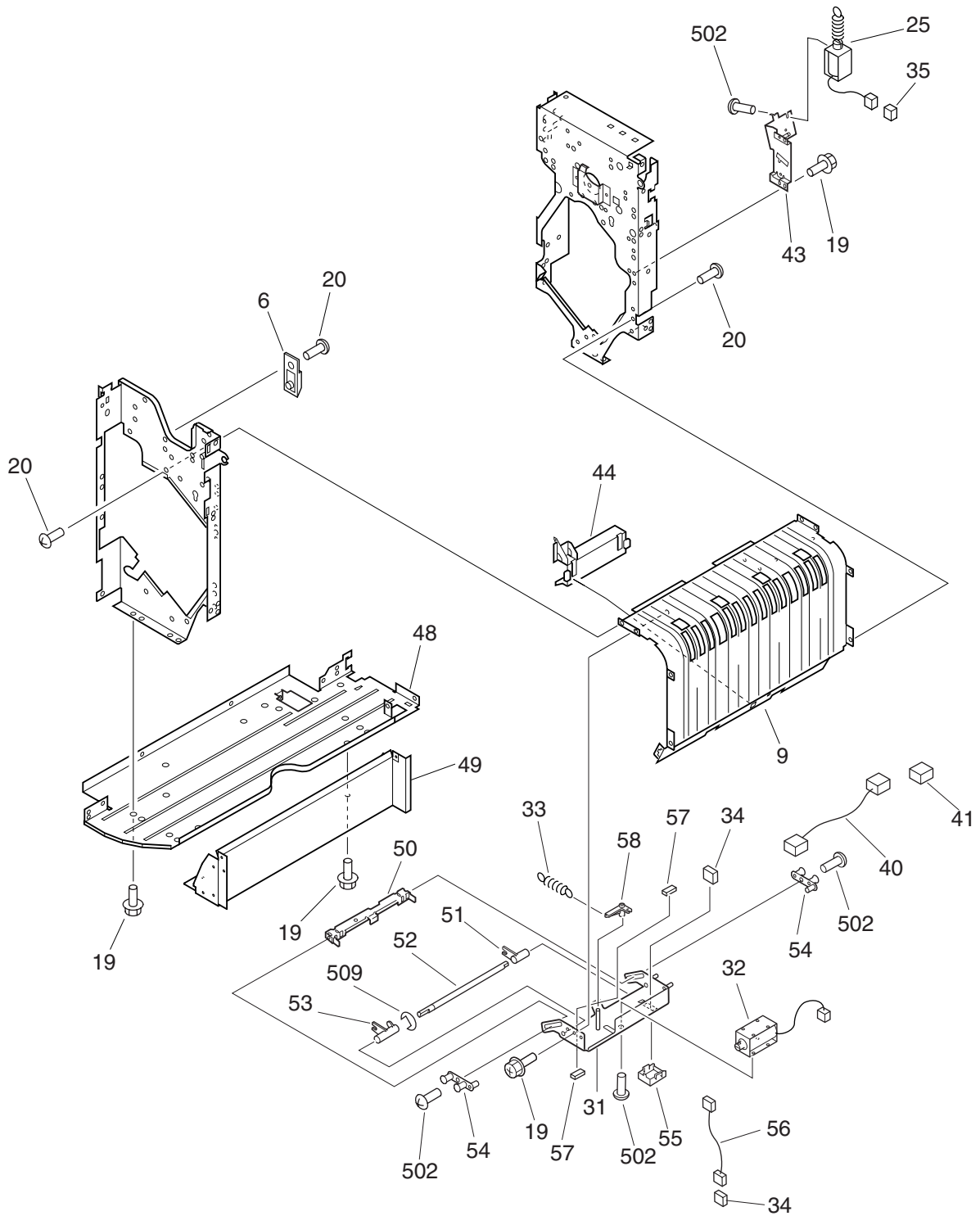
NOTE : This assembly is included in the assembly shown in P10, 11.

ITEM NO.	PARTS NO.	PARTS NAME	QTY / PAGE	QTY / PACK	P	I	R	BSI NO.	TO	FROM	SERIAL NO.	REMARKS	C
0	6LA54594000	ASM-DRIVE-FEED	1	1/C									
1	4402351470	SCREW	1	50/P									
2	44209713000	WASHER	1	10/P									
3	6LA54528000	MOTOR	2	1/C									
4	4407839560	SCREW-M3	2	50/P									
5	6LA54529000	GEAR	1	1/P									
6	6LA54530000	GEAR-3	1	1/P									
7	44209717000	GEAR-25T/P85T	1	1/P									
8	44209718000	SPE	1	5/P									
9	6LA54531000	BELT	1	1/P									
10	44209720000	BELT	1	1/P									
11	44209999000	K-BRKT-DRIVE	1	1/P									
12	44210000000	K-BRKT-MOT-DRIV	1	1/P									
13	6LA54532000	BELT	1	1/P									
14	6LA54533000	WIRE-HARNESS	1	1/P									
501	XO-00431000	S/BID-M3X6-ZB	4	10/P									
502	44209721000	ERR -XD21200642	1	10/P									

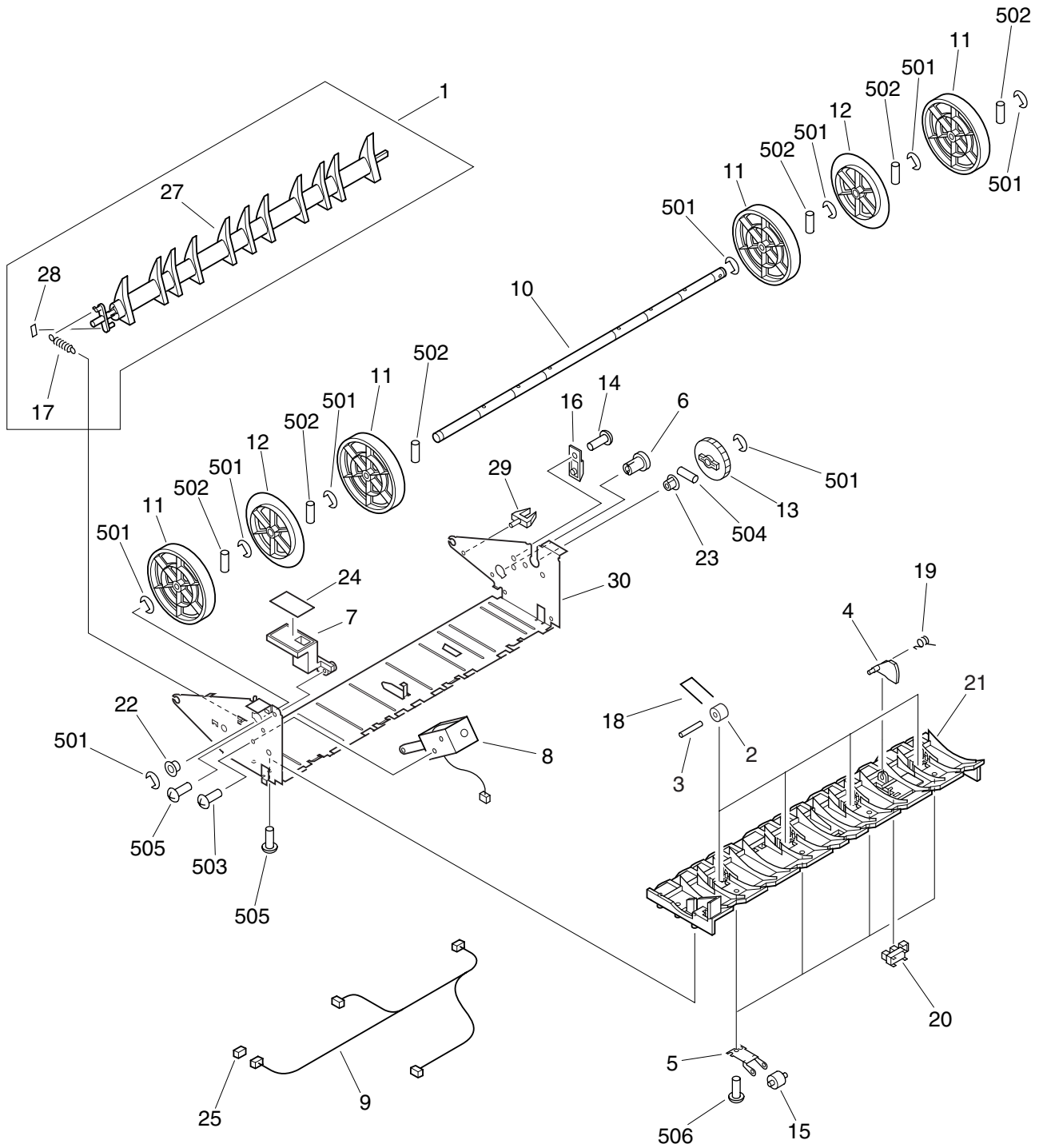


NOTE1 : This assembly includes the assemblies shown in P9, 12, 13, 14.

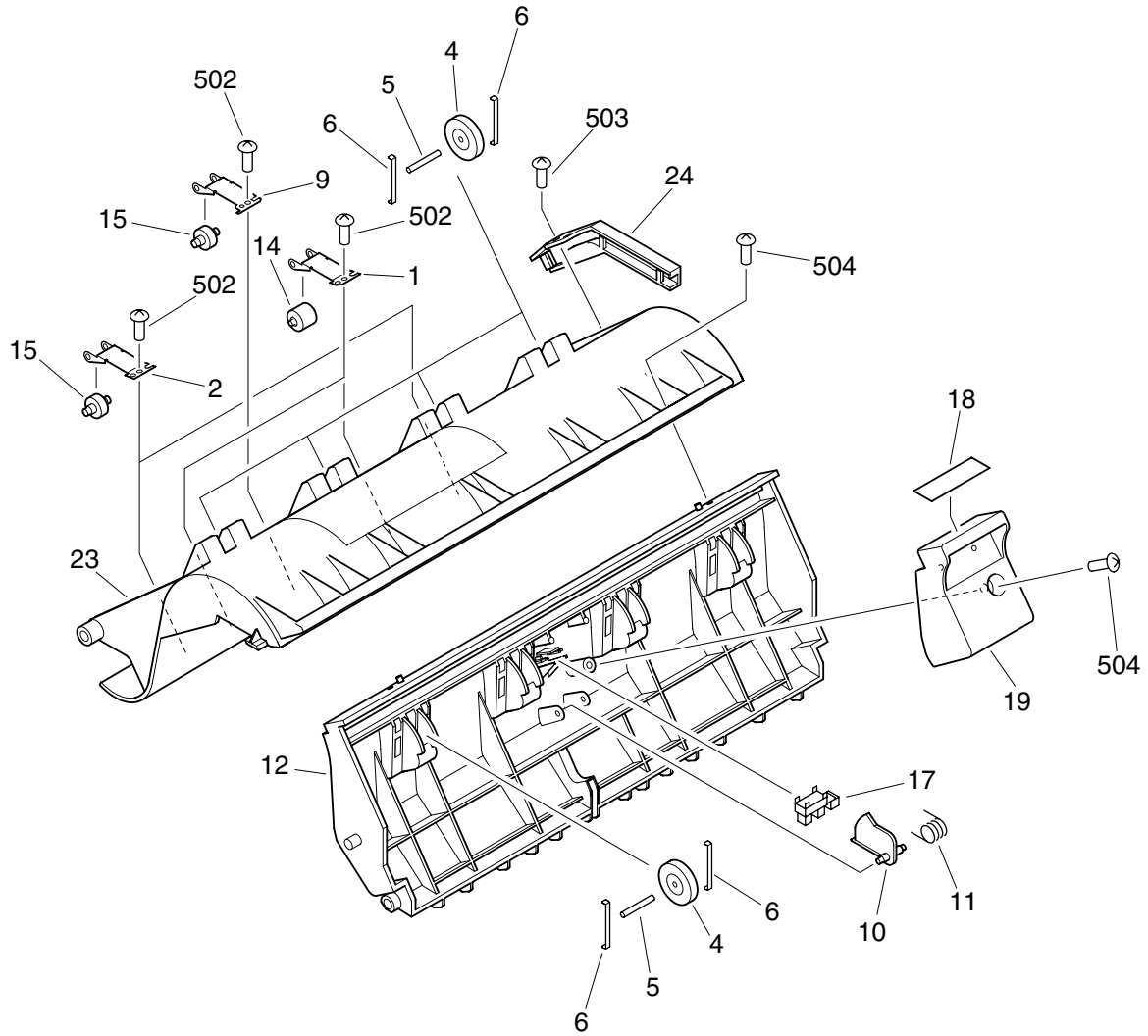
ITEM NO.	PARTS NO.	PARTS NAME	QTY / PAGE	QTY / PACK	P	I	R	BSI NO.	TO	FROM	SERIAL NO.	REMARKS	C
1	44209724000	DUCT-SENSOR	1	1/P									
2	4402960770	HOLDERSWITCH	1	1/P									
3	4402960930	BRKT-SENSOR	1	1/P									
4	4402960760	SPL	1	5/P									
5	4402960960	ROLLER-FEED	1	1/KP									
8	44209726000	SPCR-DEFLECTOR	1	1/P									
10	44209728000	FLAPPER	1	1/P									
12	44209730000	WIRE-HARNES	1	1/P									
14	44209732000	PLATE-PIN	2	1/P									
15	4402960800	GEAR-21T	1	1/P									
16	4402961040	SPE	2	5/P									
18	44209666000	PHOTOINTERRUPT	2	1/C									
19	4400792330	SCREW-RS-M4	17	50/P									
21	44209735000	BEARING	2	1/P									
30	4402350070	CONNECTOR	1	5/P									
36	44209746000	WIRE-HARNES	1	1/P									
37	4402350010	SENSOR	1	1/C									
41	44209749000	FRAME-F	1	1/P									
42	44210746000	FRAME-R	1	1/P									
47	44210745000	STAY-SENSOR	1	1/P									
501	4402016800	ERRING-5	1	50/P									
507	4402352080	SCREW	2	50/P									



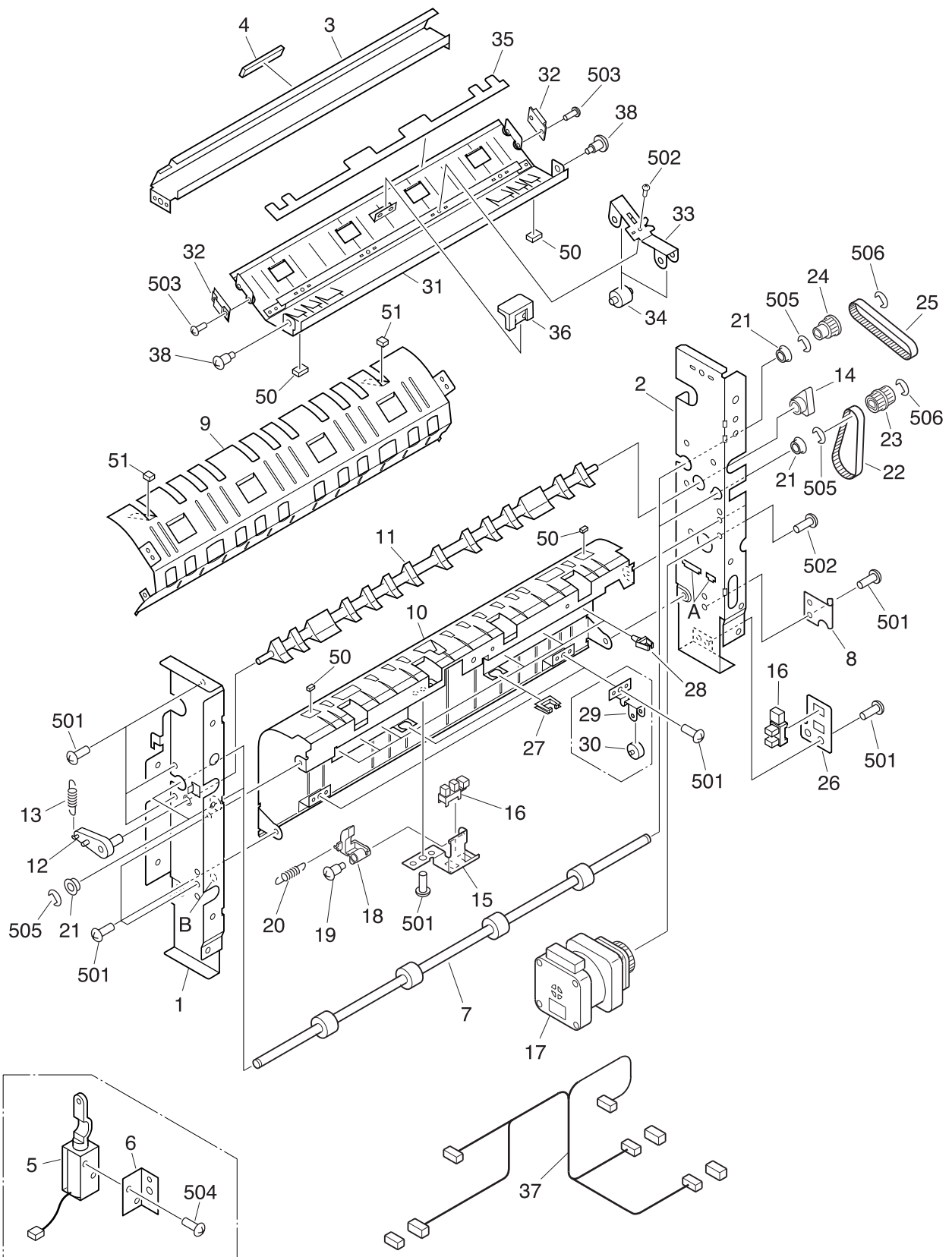
NOTE1 : This assembly includes the assemblies shown in P9, 12, 13, 14.



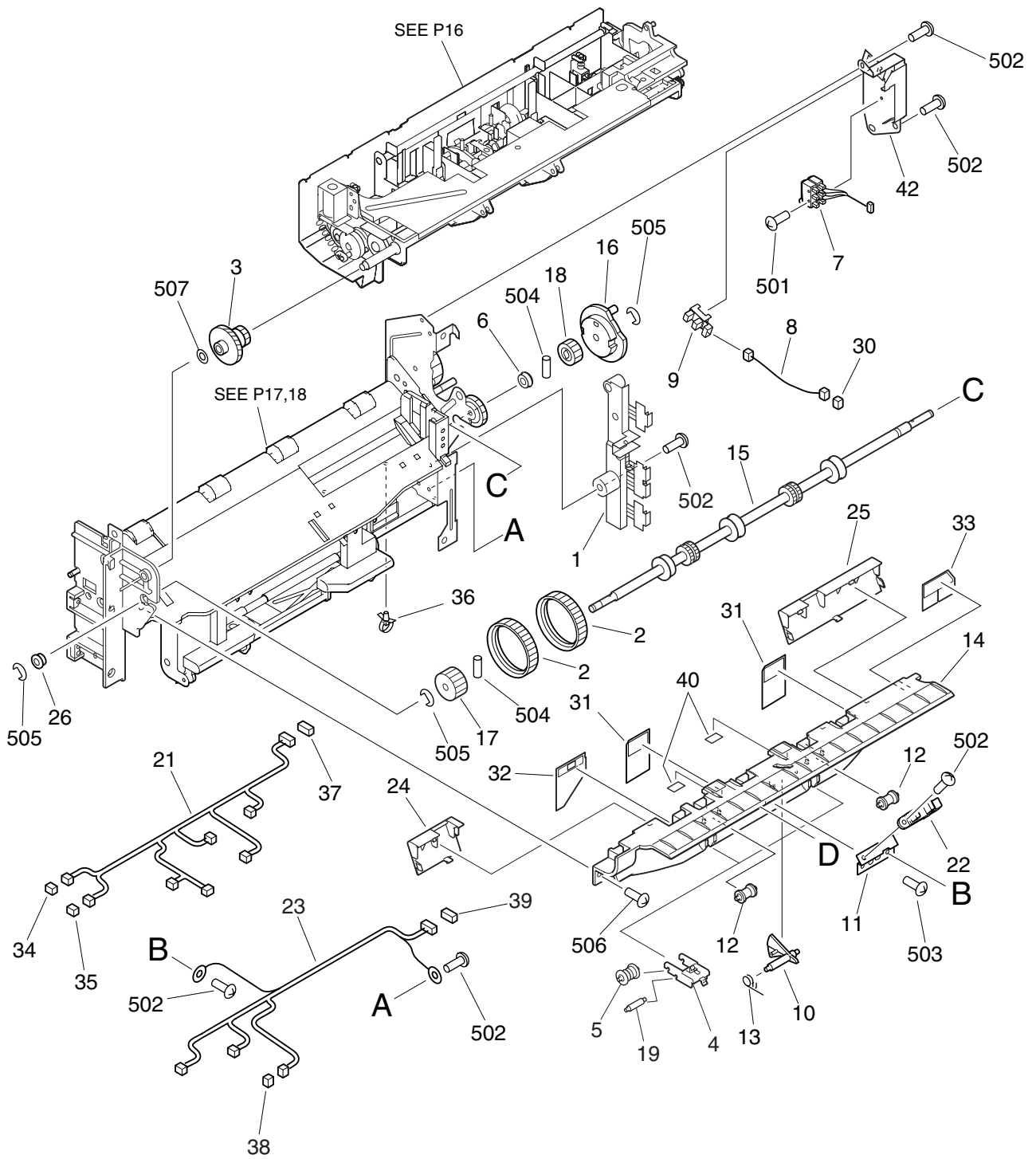
NOTE : This assembly is included in the assembly shown in P10, 11.



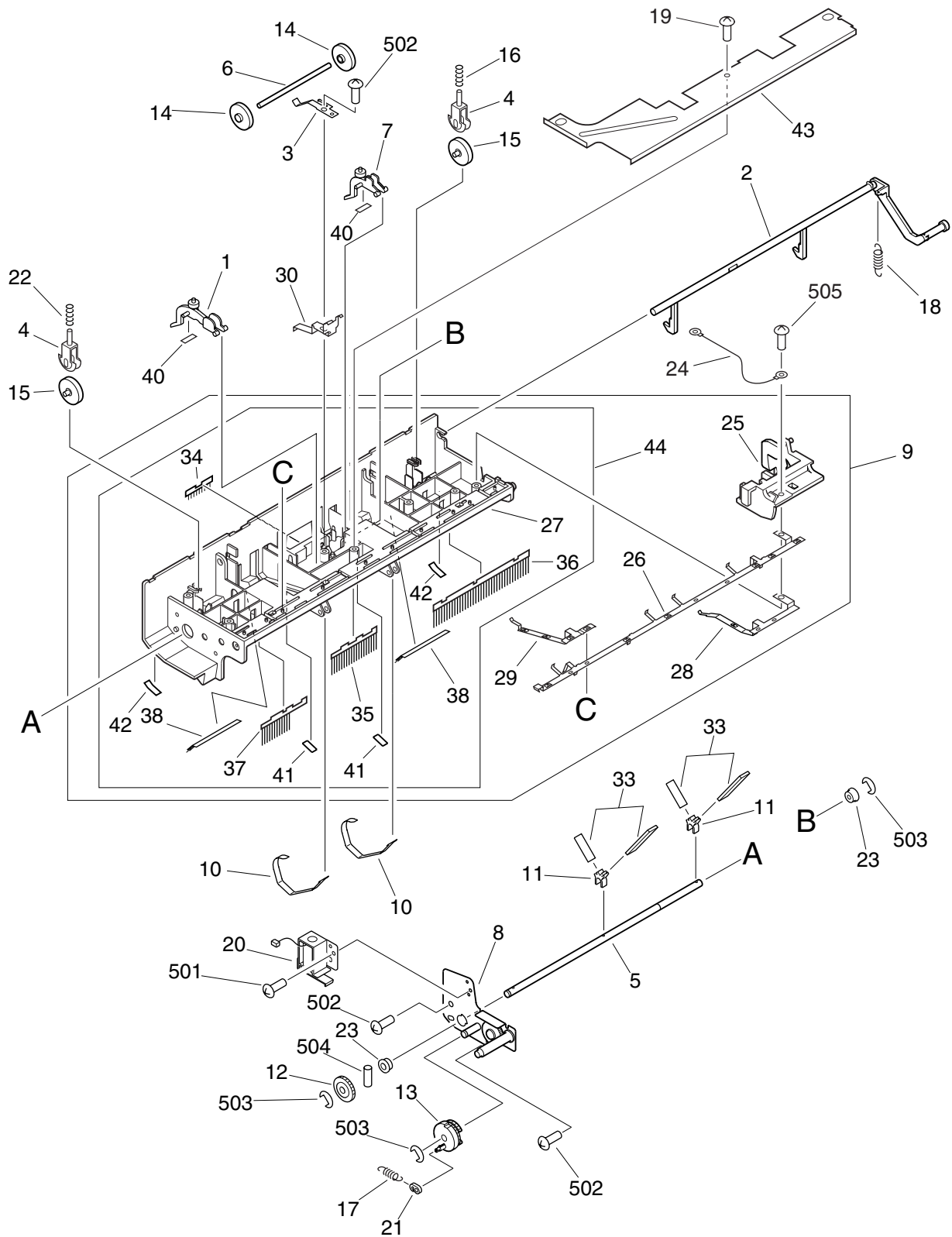
NOTE : This assembly is included in the assembly shown in P10, 11.

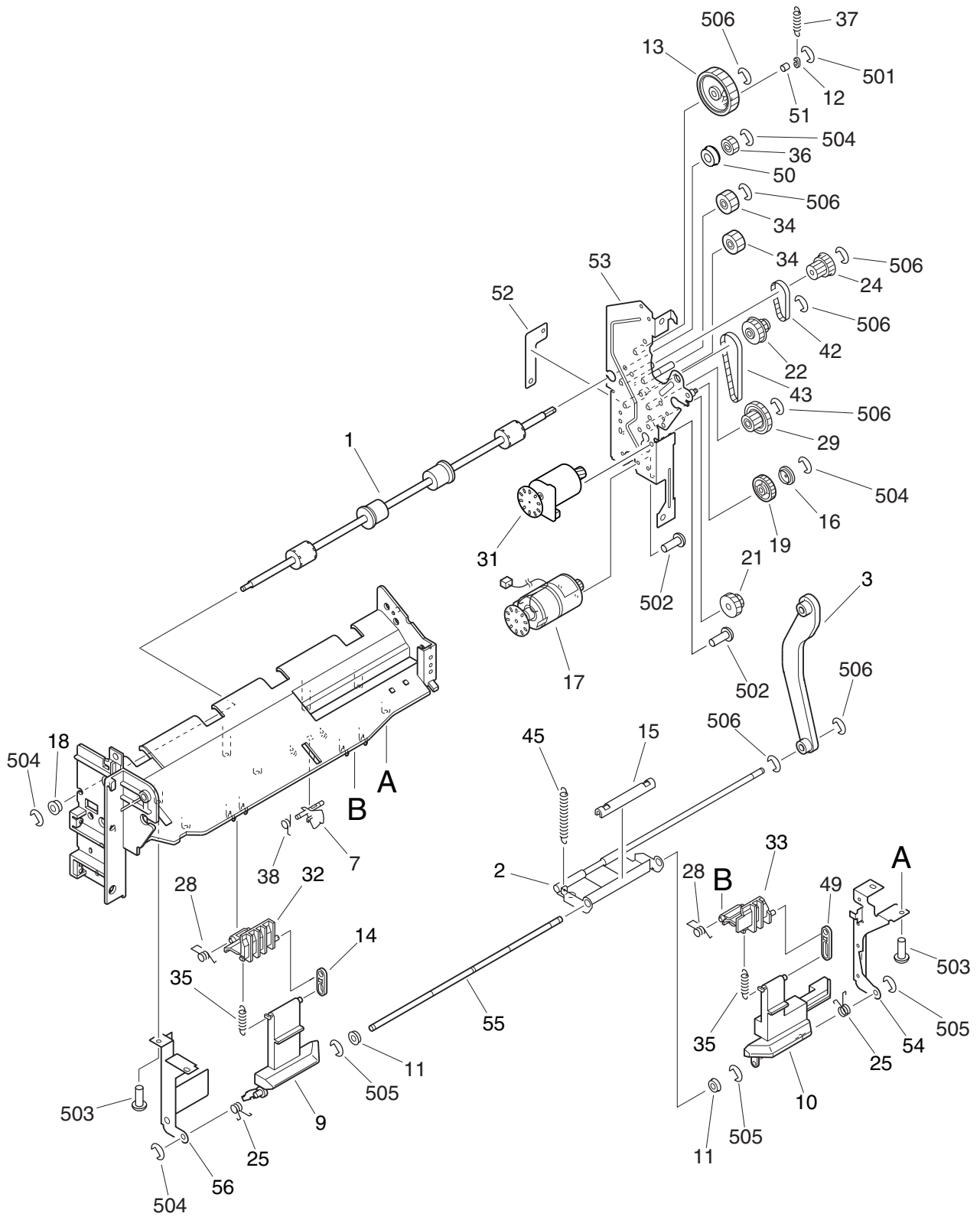


ITEM NO.	PARTS NO.	PARTS NAME	QTY / PAGE	QTY / PACK	P	I	R	BSI NO.	TO	FROM	SERIAL NO.	REMARKS	C
0	6LA54595000	ASM-ENT-552	1	1/P									
1	44210628000	FRAME-ENT-F	1	1/P									
2	44210629000	FRAME-ENT-R	1	1/P									
3	44210630000	STAY-ENT-536	1	1/P									
4	44209675000	SPACER	1	5/P									
5	44210756000	ASM-SND-ENT-537	1	1/C									
6	44210637000	BRKT-SND-ENT	1	1/P									
7	44210643000	ROLLER	2	1/KP									
8	44209957000	SPL	1	1/P									
9	44210846000	GUIDE-FEED	1	1/P									
10	44210758000	GUIDE-FEED-L	1	1/P									
11	44210639000	FLAPPER	1	1/P									
12	4402967660	SPACER-R	1	1/P									
13	44221104000	SPRING	1	5/P									
14	4402967650	SPACER-F	1	1/P									
15	44209800000	BRKT-SENSOR	1	1/P									
16	44209666000	PHOTO INTERRUPT	2	1/C									
17	6LA54537000	MOTOR	1	1/C									
18	44210644000	FLAG-SENSOR-ENT	1	1/P									
19	41321091000	SCREW-M3-STEP	1	10/P									
20	44210759000	SPRING	1	5/P									
21	44209735000	BEARING	4	1/P									
22	44210760000	BELT	1	1/P									
23	44210640000	PULLEY	1	1/P									
24	44210641000	PULLEY	1	1/P									
25	44210761000	BELT	1	1/P									
26	44210642000	BRKT-SENSOR	1	1/P									
27	4402347290	CLIP	2	1/P									
28A	4402346920	CLIP	6	5/P								MJ-1017	
28B	4402346920	CLIP	3	5/P								MJ-1018	
29	4402963750	SPL-ROL-GUIDE	2	1/P									
30	44210762000	ROLLER	2	5/P									
31	44210631000	GUIDE-FEED-U	1	1/P									
32	44210763000	MAGNET	2	1/P									
33	44210634000	SPL	4	1/P									
34	4402351520	ROLLER-C	8	1/P									
35	44210764000	MYLAR	1	1/KP									
36	41321122000	HANDLE-UP-GUIDE	1	1/P									
37	44210765000	WIRE-HARNES	1	1/P									
38	4402967700	SCREW	2	10/P									
50	44210635000	SHEET-T1.5	4	5/P									
51	44210636000	SHEET-T2.0	2	5/P									
501A	4400790620	SCREW-M4*6	16	50/P								MJ-1017	
501B	4400790620	SCREW-M4*6	14	50/P								MJ-1018	
502	X0-01747000	S/BID-M4X6-ZB	6	10/P									
503	X0-01741000	S/BID-M3X4-ZB	4	10/P									
504	X0-00431000	S/BID-M3X6-ZB	2	10/P									
505	4402016800	ERRING-5	4	50/P									
506	4402016780	ERRING-4	2	50/P									

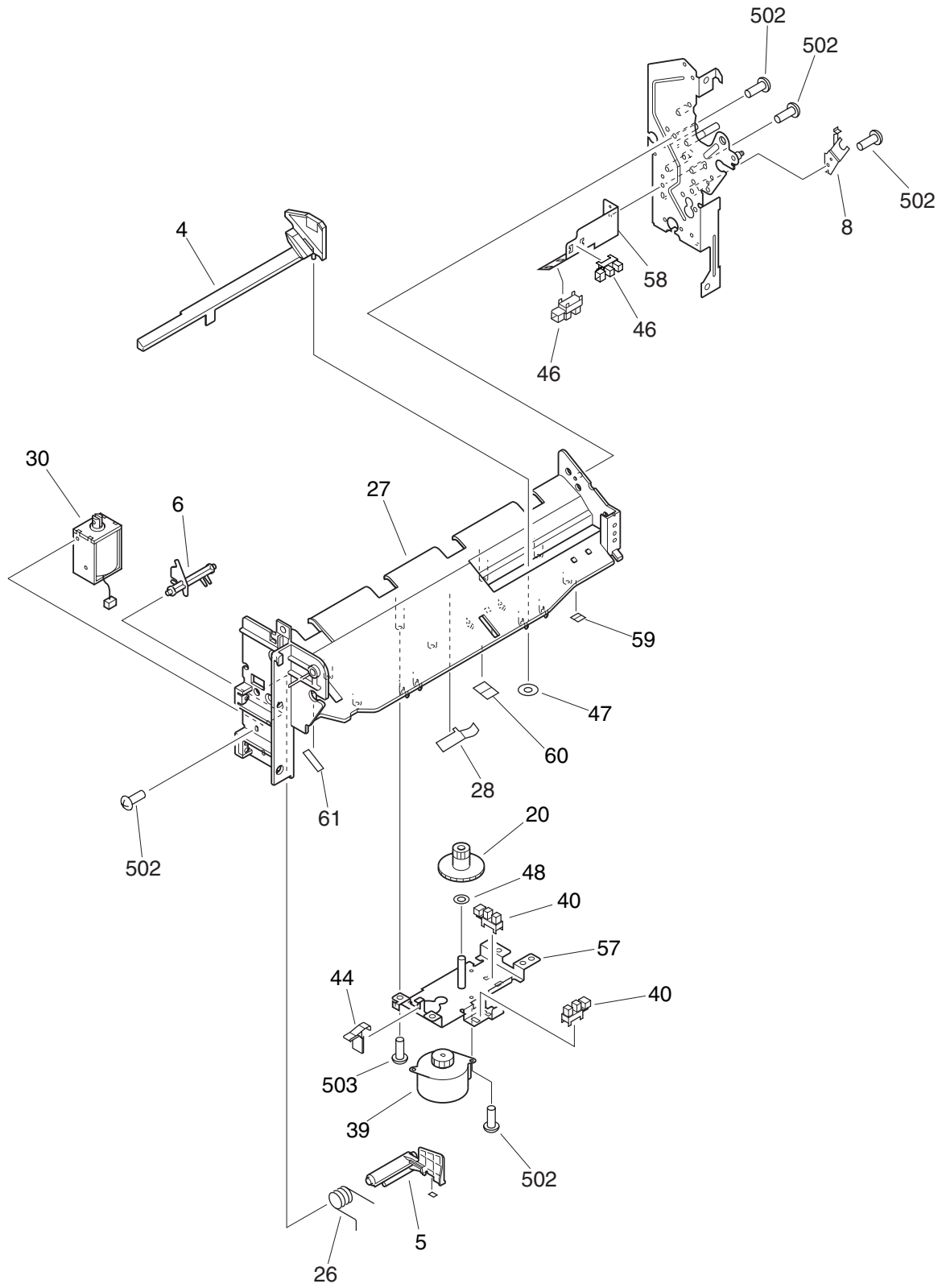


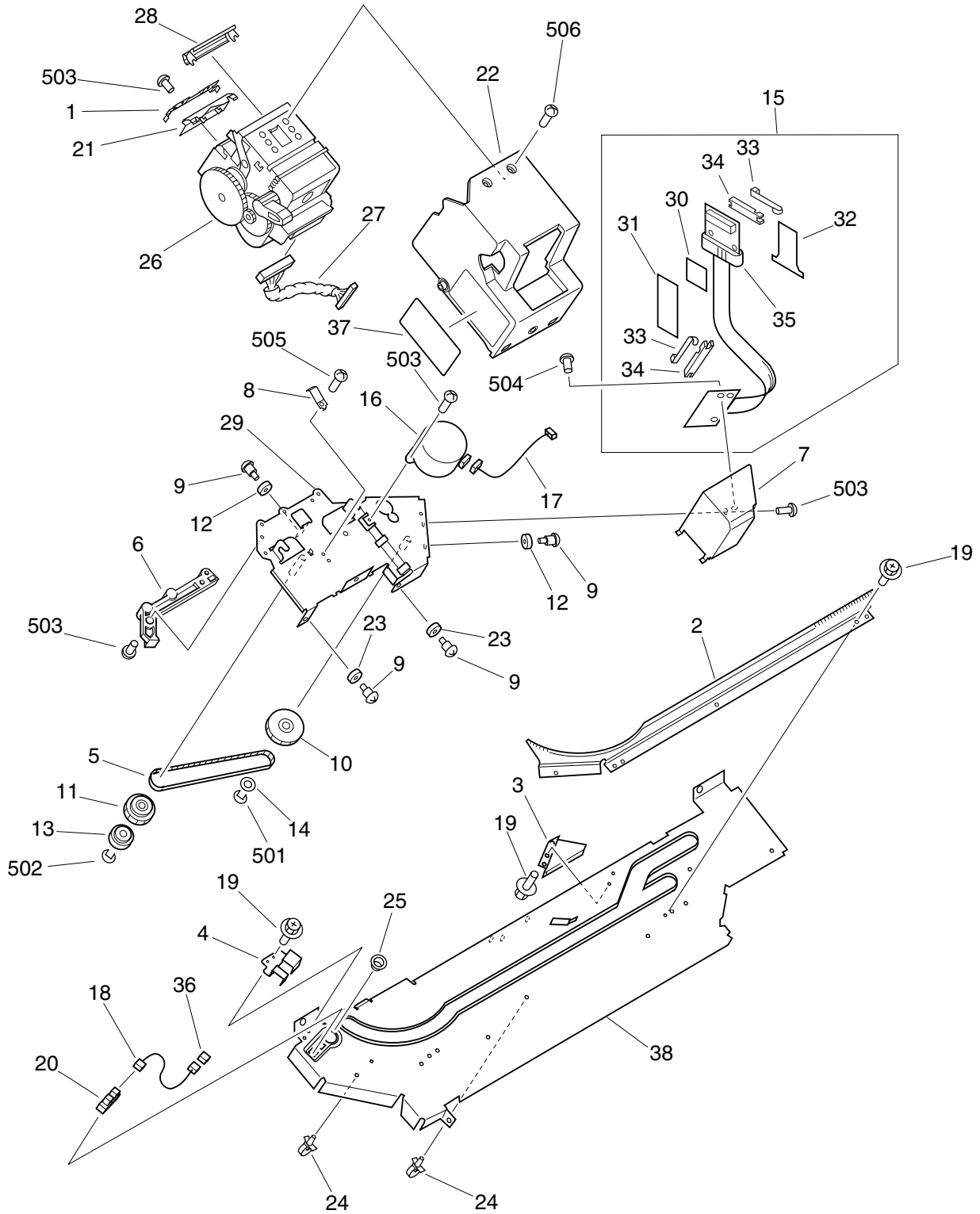
ITEM NO.	PARTS NO.	PARTS NAME	Q'TY / PAGE	Q'TY / PACK	P	I	R	BSI NO.	TO	T	FROM	SERIAL NO.	REMARKS	C
1	44209801000	GUIDE-CABLE		11/P										
2	4402961220	BELT-PAPER-FEED		21/P										
3	44209802000	GEAR-15T/31T		11/P										
4	44209803000	HOLDER-ROL		21/P										
5	44209804000	ROLLER		21/P										
6	4402347410	BEARING		11/P										
7	44209805000	WIRE-HARNES		11/P										
8	44209806000	WIRE-HARNES		11/P										
9	44209666000	PHOTOINTERRUPT		11/C										
10	4402961250	FLAG-SENSOR		11/P										
11	4402350480	BRKT-SENSOR		11/P										
12	44209807000	ROLLER		21/P										
13	4402350490	SPRING		11/P										
14	44210766000	GUIDE-STPL-536		11/P										
15	44209811000	ROLLER-EXIT		11/KP										
16	4402350530	CAM-SHUTTER		11/P										
17	44209812000	GEAR-23T		11/P										
18	4402350550	GEAR-18T		11/P										
21	44209814000	WIRE-HARNES		11/P										
22	4402350570	PHOTOINTERRUPT		11/C										
23	44209816000	WIRE-HARNES		11/P										
24	44209818000	GUIDE-F		11/P										
25	44209819000	GUIDE-R		11/P										
26	4407839330	BUSHING		15/P										
30	41321298000	CONNECTOR		11/P										
31	4402961280	SHEET-B		25/P										
32	44209809000	SHEET-F		11/P										
33	44209810000	SHEET-R		11/P										
34	4402350070	CONNECTOR		15/P										
35	4402352940	CONNECTOR		11/P										
36	4402961320	CLIP-CABLE		25/P										
37	44209815000	CONNECTOR		11/P										
38	4402350070	CONNECTOR		15/P										
39	44209817000	CONNECTOR		11/P										
40	44210832000	CUSHION		25/P										
42	44210005000	BRKT-SWING		11/P										
501	44209820000	SCREW-M2. 3*14		210/P										
502	X0-01741000	S/BID-M3X4-ZB		310/P										
504	7432200808	HPIN20/08SSDG		250/P										
505	4402016800	ERRING-5		350/P										
506	4402015350	PAN-XB47401009		250/P										
507	4402350590	WASHER		150/P										



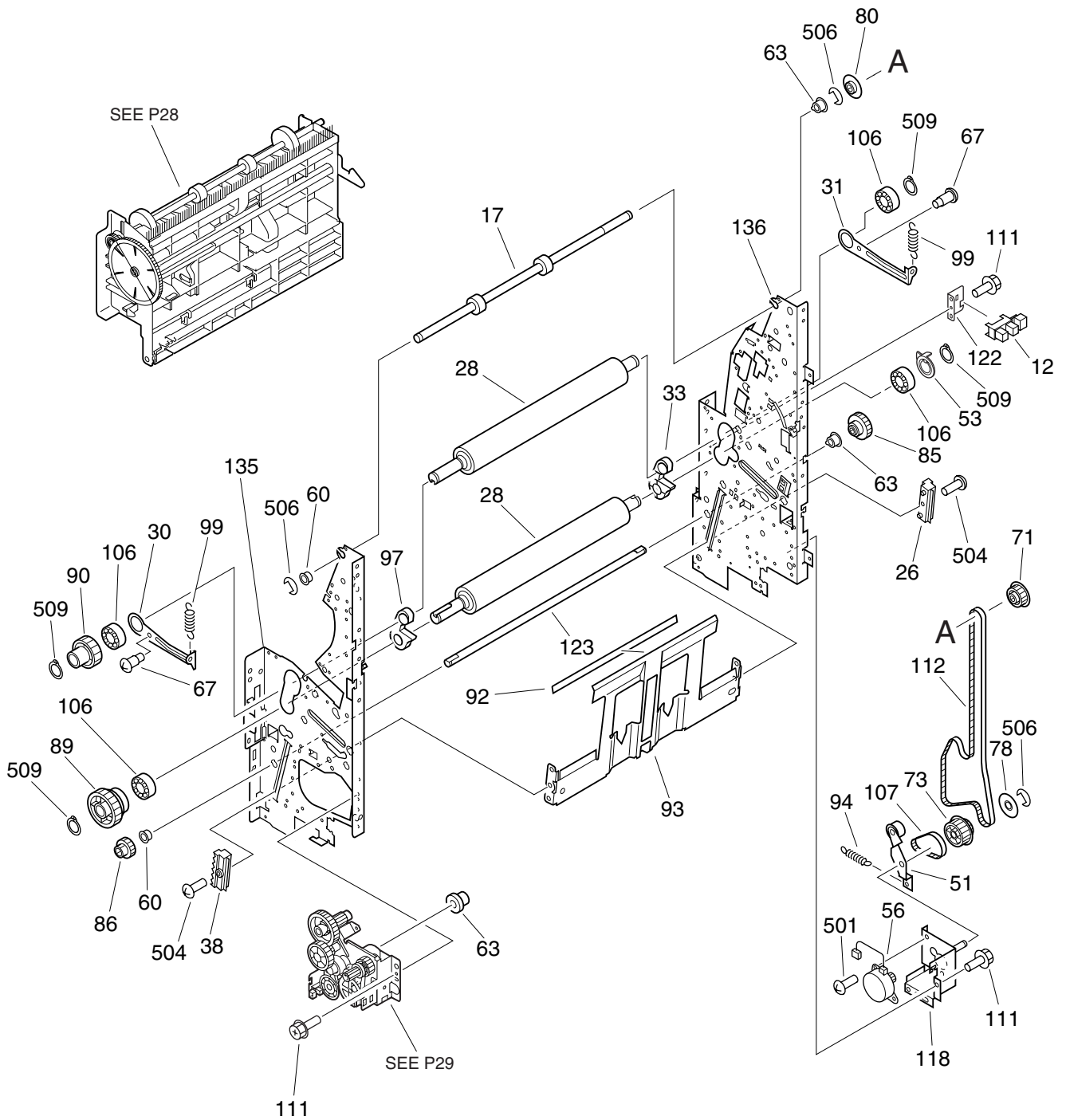


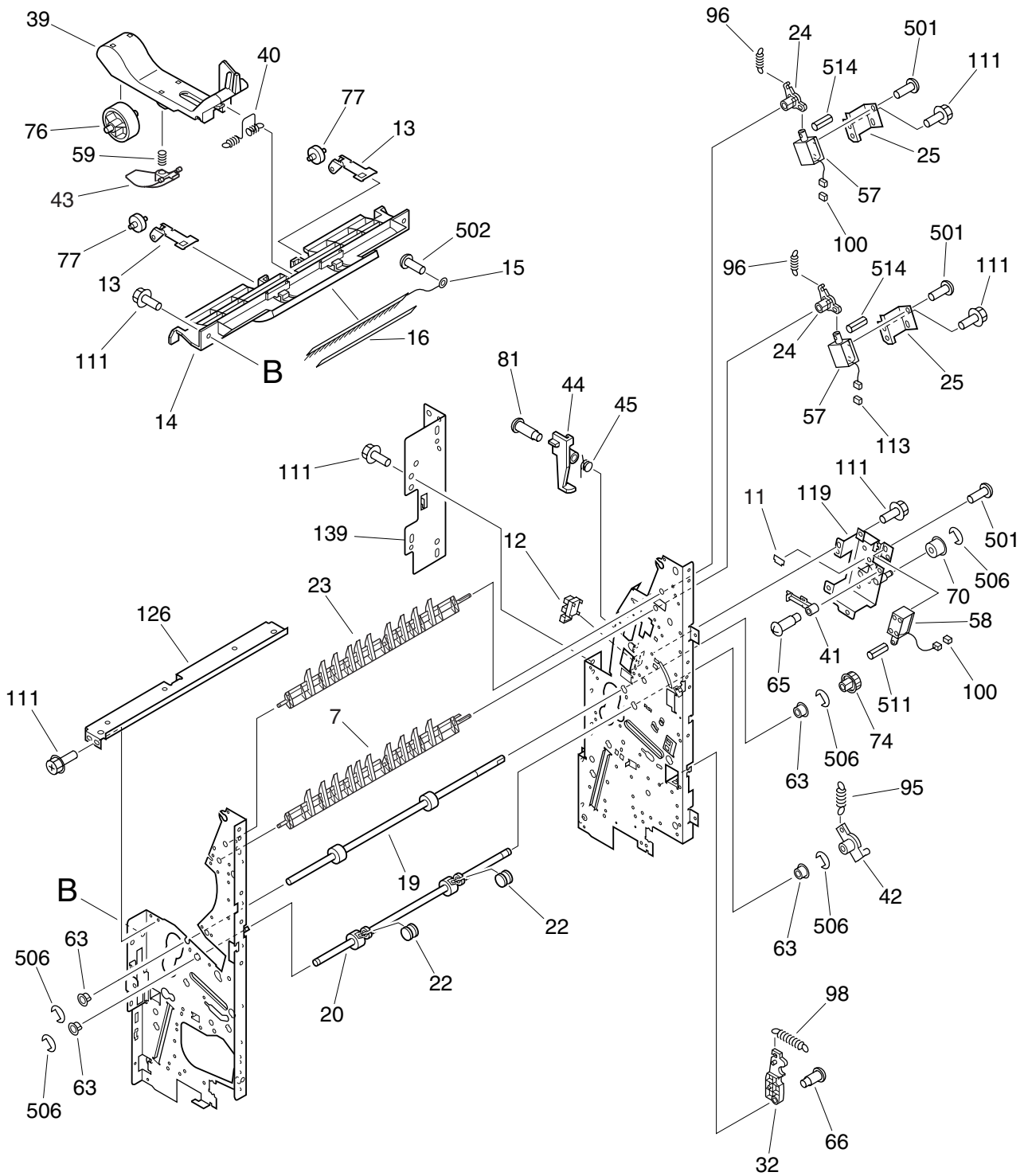
ITEM NO.	PARTS NO.	PARTS NAME	QTY / PAGE	QTY / PACK	P	I	R	BSI NO.	TO	FROM	SERIAL NO.	REMARKS	C
0	6LA54597000	ASM-STPL-TRAY	1	1	C								
1	44209842000	ROL-EXIT	1	1	P								
2	44209843000	LINK-SHUTTER	1	1	P								
3	4402351080	LINK-SHUTTER-B	1	1	P								
7	44209844000	FLAG-SENSOR	1	1	P								
9	4402961780	LEVER-STOP-F	1	1	P								
10	44209846000	LEVER-STOP-R	1	1	P								
11	44209847000	BUSHING	2	5	P								
12	4402351030	COLLAR-SPRING	1	5	P								
13	6LA54541000	GEAR	1	1	P								
14	4402961820	LINK	1	5	P								
15	44209849000	SPACER	1	1	P								
16	44209850000	PULLEY	1	1	P								
17	44209851000	MOTOR	1	1	C								
18	4402248100	BUSHING	1	5	P								
19	44209852000	GEAR-25T	1	1	P								
21	4402962890	GEAR-15T/23T	1	1	P								
22	6LA54542000	PULLEY	1	1	P								
24	44209854000	PLY-14T/30T	1	1	P								
25	4402351300	SPRING	2	1	P								
28	44209857000	SPRING	2	5	P								
29	44209858000	GEAR-15T/34T	1	1	P								
31	4402961870	MOTOR	1	1	C								
32	4402962580	HOLDER-STOP-F	1	1	P								
33	44209859000	STOPPER-R	1	1	P								
34	44209860000	GEAR-20T	2	1	P								
35	4402351400	SPRING	2	5	P								
36	44209861000	GEAR-15T	1	1	P								
37	44209862000	SPE	1	5	P								
38	44209863000	SPRING	1	5	P								
42	44209864000	BELT	1	1	P								
43	6LA54543000	BELT	1	1	P								
45	4402352930	SPRING	1	1	P								
49	44209867000	LINK	1	1	P								
50	4402347410	BEARING	1	1	P								
51	6LA54544000	SPACER	1	5	P								
52	4402961910	SHEET-M	1	1	P								
53	44209869000	FRAME-TRAY-R	1	1	P								
54	44209870000	PLATE-R	1	1	P								
55	44209871000	SHAFT-STOP	1	1	P								
56	44209872000	PLATE-F	1	1	P								
501	4402016740	ERR-XD21100242	1	50	P								
502	X0-01741000	S/BID-M3X4-ZB	4	10	P								
503	4402015300	PAN-XB47400809	2	50	P								
504	4402016760	ERRING-3.2	4	50	P								
505	4402016770	ERR-XD21100372	3	50	P								
506	4402016800	ERRING-5	7	50	P								

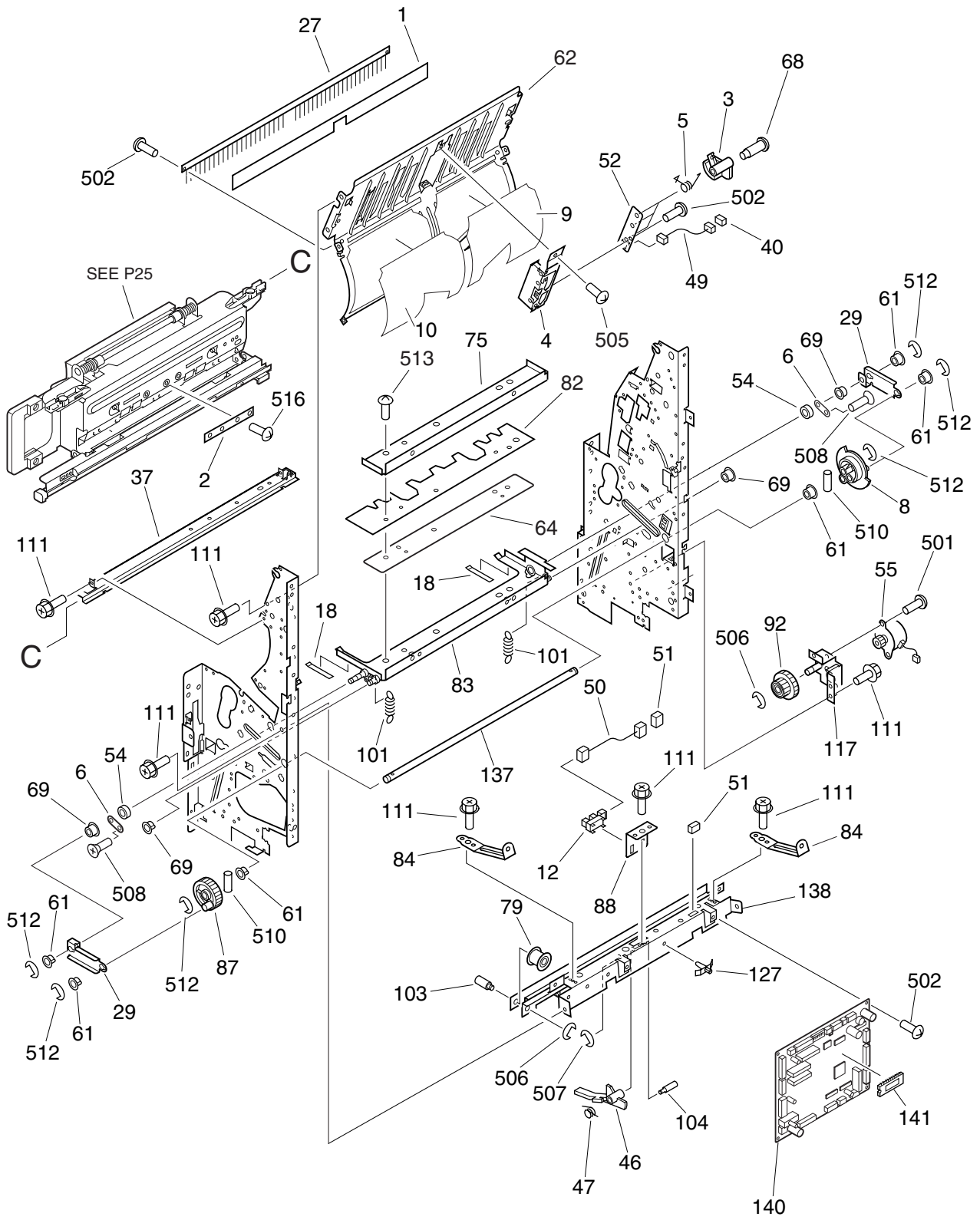




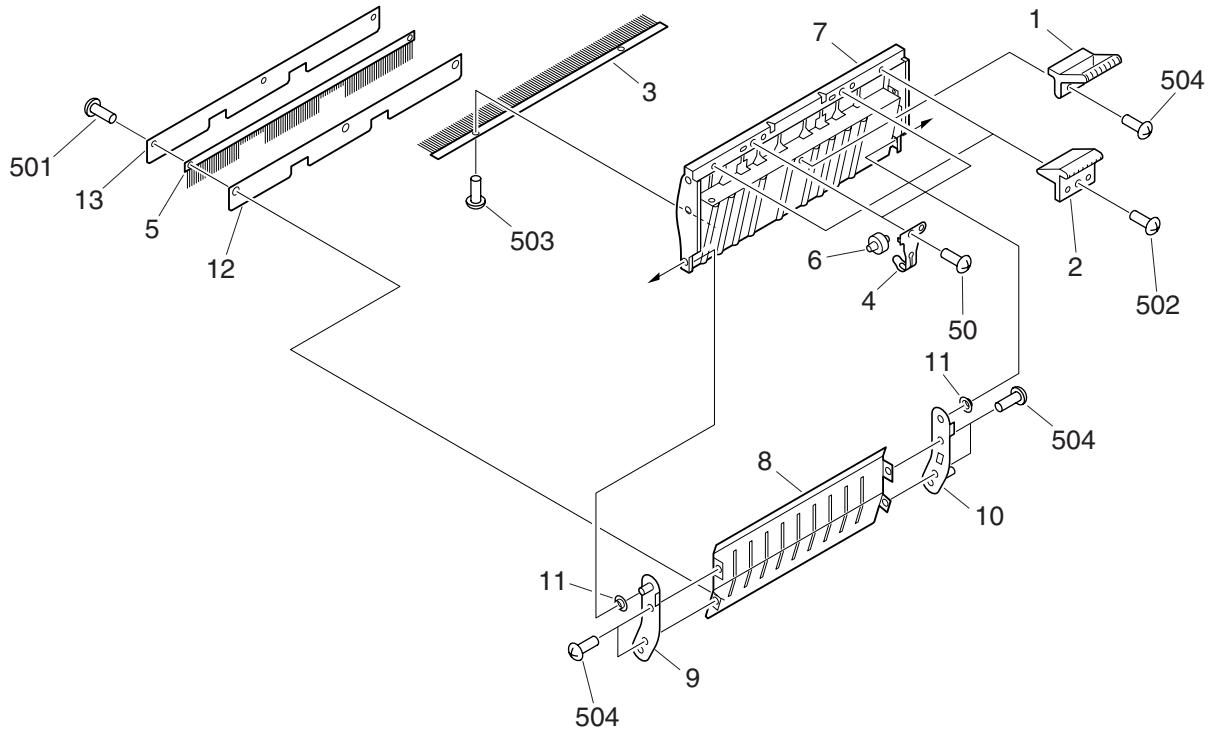
ITEM NO.	PARTS NO.	PARTS NAME	QTY / PAGE	QTY / PACK	P	I	R	BSI NO.	TO	FROM	SERIAL NO.	REMARKS	C
0	44209874000	ASM-STAPLE-516	1	1	C								
1	44210029000	PLATE-L	1	1	P								
2	4402351580	PLATE-RACK	1	1	P								
3	4402351590	PLATE-GUIDE	1	1	P								
4	4402351600	COVER-SENSOR	1	1	P								
5	4402351610	BELT	1	1	P								
6	4402351620	CAM-STOP	1	1	P								
7	44209876000	COVER-PCB	1	1	P								
8	44209877000	SPL-EARTH	1	1	P								
9	4407838280	SCREW-M3	4	50	P								
10	4402351640	GEAR-44T/P16T	1	1	P								
11	4402351650	GEAR-16T/P40T	1	1	P								
12	4402351660	ROLLER	2	1	P								
13	4402351670	ROLLER	1	1	P								
14	4402351680	FLANGE	1	5	P								
15	4402962280	ASM-WH-795	1	1	C								
16	4402351700	MOTOR-STEPPING	1	1	C								
17	44209879000	WIRE-HARNESS	1	1	P								
18	44209880000	WIRE-HARNESS	1	1	P								
19	4402351740	SCREW-RS-M3*6	6	50	P								
20	44209666000	PHOTOINTERRUPTER	1	1	C								
21	44209881000	PLATE-L	1	1	P								
22	44209882000	COVER-STPL	1	1	P								
23	4402351880	ROLLER	2	1	P								
24	4402351770	CLAMP-CABLE	2	5	P								
25	41321266000	GROMMET-CORD	1	1	P								
26	6LA54653000	STAPLE-516	1										
27	44209883000	WIRE-HARNESS	1	1	P								
28	44209884000	PLATE-U	1	1	P								
29	44210007000	BRKT-STAPLE	1	1	P								
30	4402962290	SHEET-A	1	1	P								
31	4402962300	SHEET-B	1	1	P								
32	4402962310	STOPPER	1	1	P								
33	4400590320	BAND	2	5	P								
34	4402962320	MOUNT-CABLE	2	1	P								
35	44209878000	CORE-FERRITE	1	1	P								
36	4402352940	CONNECTOR	1	1	P								
37	44209544000	LBL-WARNING	1	5	P								
38	4402351570	GUIDE-STAPLER	1	1	P								
501	4402016800	ERRING-5	1	50	P								
502	4402016830	ERRING-6. 4	1	50	P								
503	X0-00431000	S/BID-M3X6-ZB	5	10	P								
504	4402015240	PAN-XB47300809	4	50	P								
505	X0-01741000	S/BID-M3X4-ZB	1	10	P								
506	X0-00449000	S/BID-M4X6-NI	3	10	P								



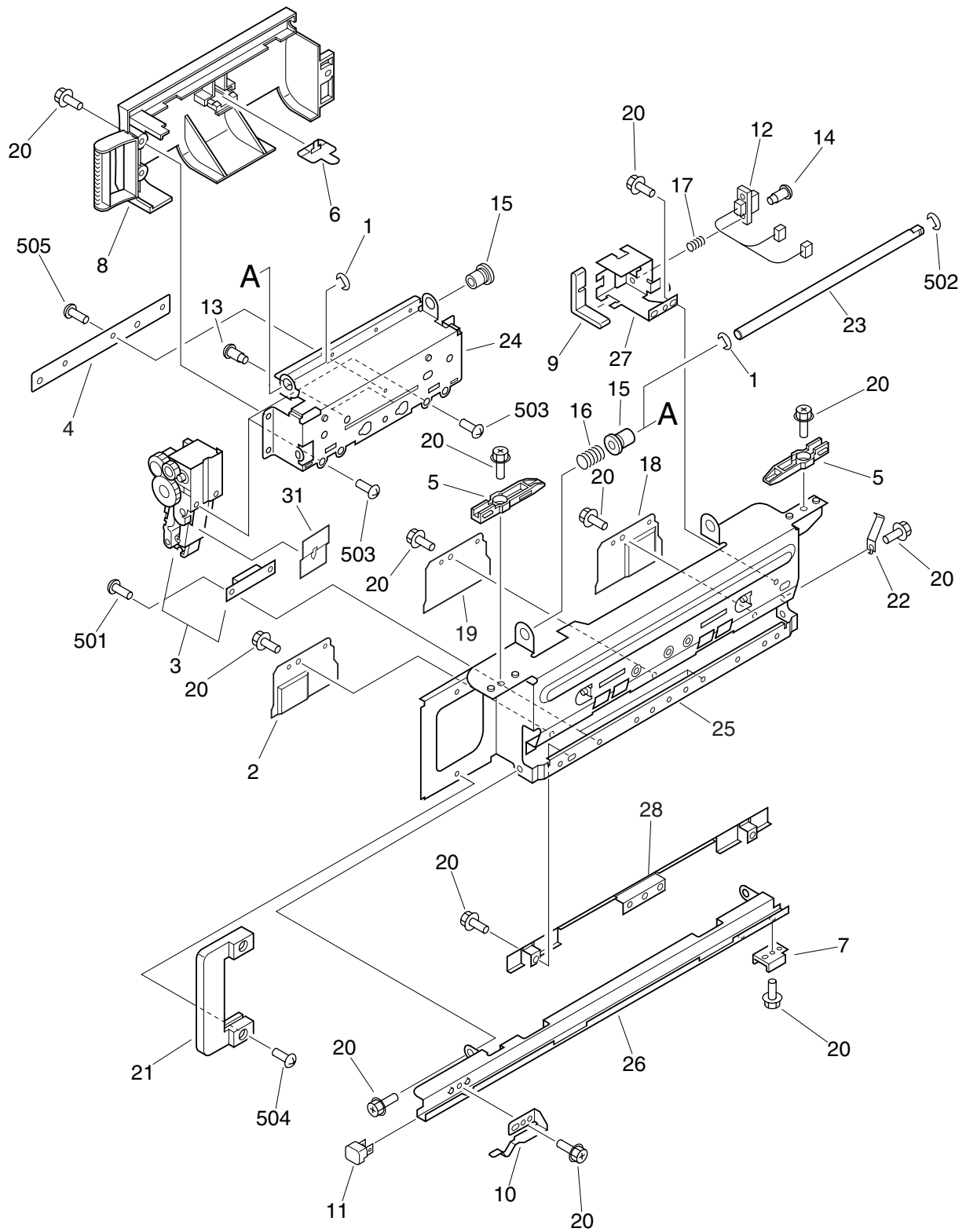




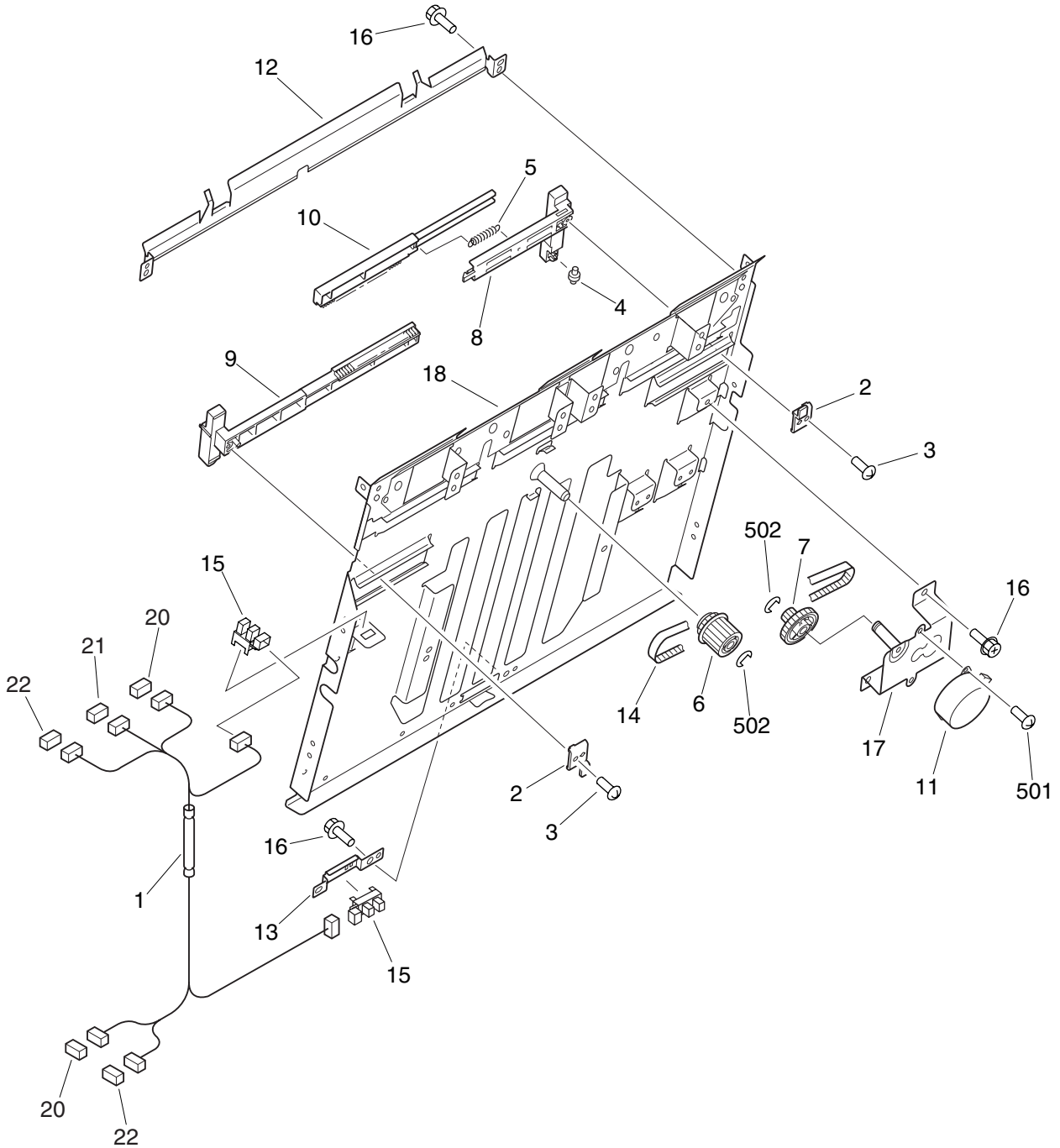
ITEM NO.	PARTS NO.	PARTS NAME	Q'TY / PAGE	Q'TY / PACK	PI	R	BSI NO.	TO	T	FROM	SERIAL NO.	REMARKS	C
1B	44210795000	SHEET-GUIDE	1	1/KP								MJ-1018	
2B	44210799000	PLATE-STPL-537	1	1/P								MJ-1018	
3B	4402967790	FLAG-SENSOR	3	1/P								MJ-1018	
4B	4402967800	BRKT-SENSOR	1	1/P								MJ-1018	
5B	4402967810	SPRING	3	1/P								MJ-1018	
6B	4402969110	PLATE-BACK-UP	2	1/P								MJ-1018	
8B	4402967840	PLATE	1	1/P								MJ-1018	
9B	44210796000	SHEET-GUIDE-U-1	1	1/KP								MJ-1018	
10B	44210797000	SHEET-GUIDE-U-2	1	1/KP								MJ-1018	
12B	4402962800	SCO-TLP1242 (G6)	1	1/C								MJ-1018	
18B	44209888000	SHEET	2	5/P								MJ-1018	
27B	4402968770	BRUSH	1	1/KP								MJ-1018	
29B	4402968060	PLATE	2	1/P								MJ-1018	
37B	4402968140	RAIL-SLIDE-U	1	1/P								MJ-1018	
40B	4402350080	CONNECTOR	1	5/P								MJ-1018	
46B	4402968240	FLAG-SENSOR	1	1/P								MJ-1018	
47B	4402968250	SPRING	1	5/P								MJ-1018	
49B	44209893000	WIRE-HARNES	1	1/P								MJ-1018	
50B	4402968280	WIRE-HARNES	1	1/P								MJ-1018	
51B	4402350100	CONNECTOR	1	5/P								MJ-1018	
52B	4402968300	PWA-PAPER-SENS	1	1/SB								MJ-1018	
54B	44209895000	FLANGE	2	1/P								MJ-1018	
55B	4402968330	MOTOR	1	1/C								MJ-1018	
61B	4400575620	BUSHING	6	5/P								MJ-1018	
62B	44209897000	GUIDE-SADDLE-U	1	1/P								MJ-1018	
64B	4402969120	SPACER	1	1/KP								MJ-1018	
68B	4402967690	SCREW	3	10/P								MJ-1018	
69B	4402968390	BUSHING	4	5/P								MJ-1018	
75B	4402968980	PLATE-HOLDER-2	1	1/P								MJ-1018	
79B	4402968490	ROLLER	1	1/P								MJ-1018	
82B	4402353400	PLATE	1	1/P								MJ-1018	
83B	4402968960	PLATE-HOLDER-1	1	1/P								MJ-1018	
84B	4402968950	PLATE-COVER	2	1/P								MJ-1018	
87B	4402968570	GEAR-44T	1	1/P								MJ-1018	
88B	4402968940	BRKT-SENSOR	1	1/P								MJ-1018	
92B	4402968620	GEAR-22T/48T	1	1/P								MJ-1018	
101B	4402968710	SPRING	2	5/P								MJ-1018	
103B	4402968730	SHAFT-ROLLER	1	1/P								MJ-1018	
104B	4402968740	SHAFT-BACK-UP	1	1/P								MJ-1018	
111B	4400792330	SCREW-RS-M4	7	50/P								MJ-1018	
117B	4402969070	K-BRKT-MOTOR	1	1/P								MJ-1018	
127B	4402968780	SPACER-SUPPORT	1	5/P								MJ-1018	
137B	4402968040	SHAFT	1	1/P								MJ-1018	
138B	4402969080	RAIL-LOWER	1	1/P								MJ-1018	
140B	6LA54627000	PWA-LGC-553	1	1/SB								MJ-1018	
141B	6LA54547000	PRA-553FIN-00	1	1/S								MJ-1018	
501B	X0-01741000	S/BID-M3X4-ZB	2	10/P								MJ-1018	
502B	X0-00431000	S/BID-M3X6-ZB	5	10/P								MJ-1018	
505B	X0-01748000	S/BID-M4X4-ZB	1	10/P								MJ-1018	
506B	4402016800	ERRING-5	2	50/P								MJ-1018	
507B	4402016760	ERRING-3.2	1	50/P								MJ-1018	
508B	X0-00341000	S/CTS-M4X8-ZB	2	10/P								MJ-1018	
510B	7432302008	HPIN30/20SS	2	50/P								MJ-1018	
512B	4402016830	ERRING-6.4	6	50/P								MJ-1018	
513B	X0-01820000	S/FPAN-M4X6-ZB	3	10/P								MJ-1018	
516B	4402967000	SCREW-M3*6	1	10/P								MJ-1018	

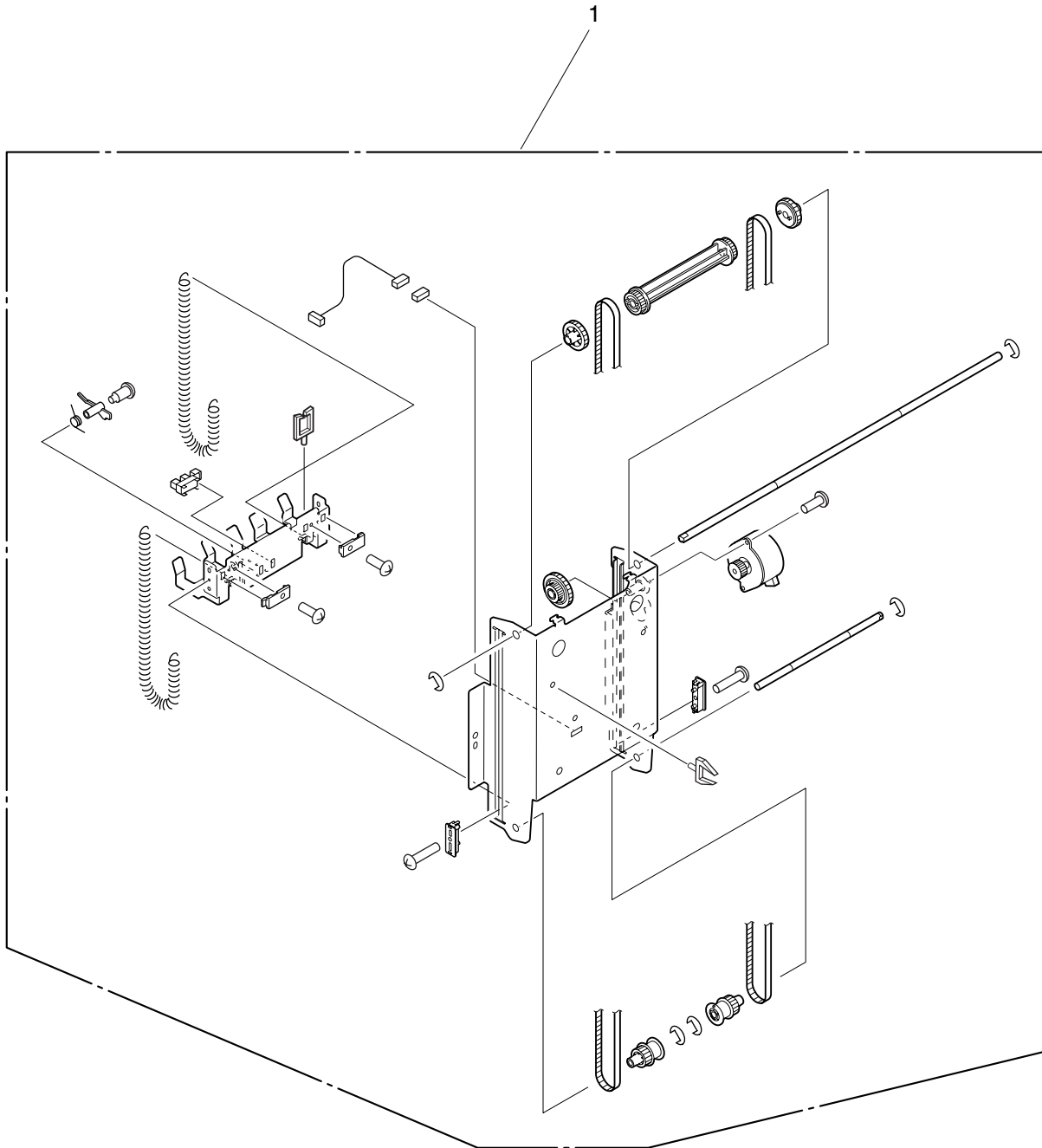


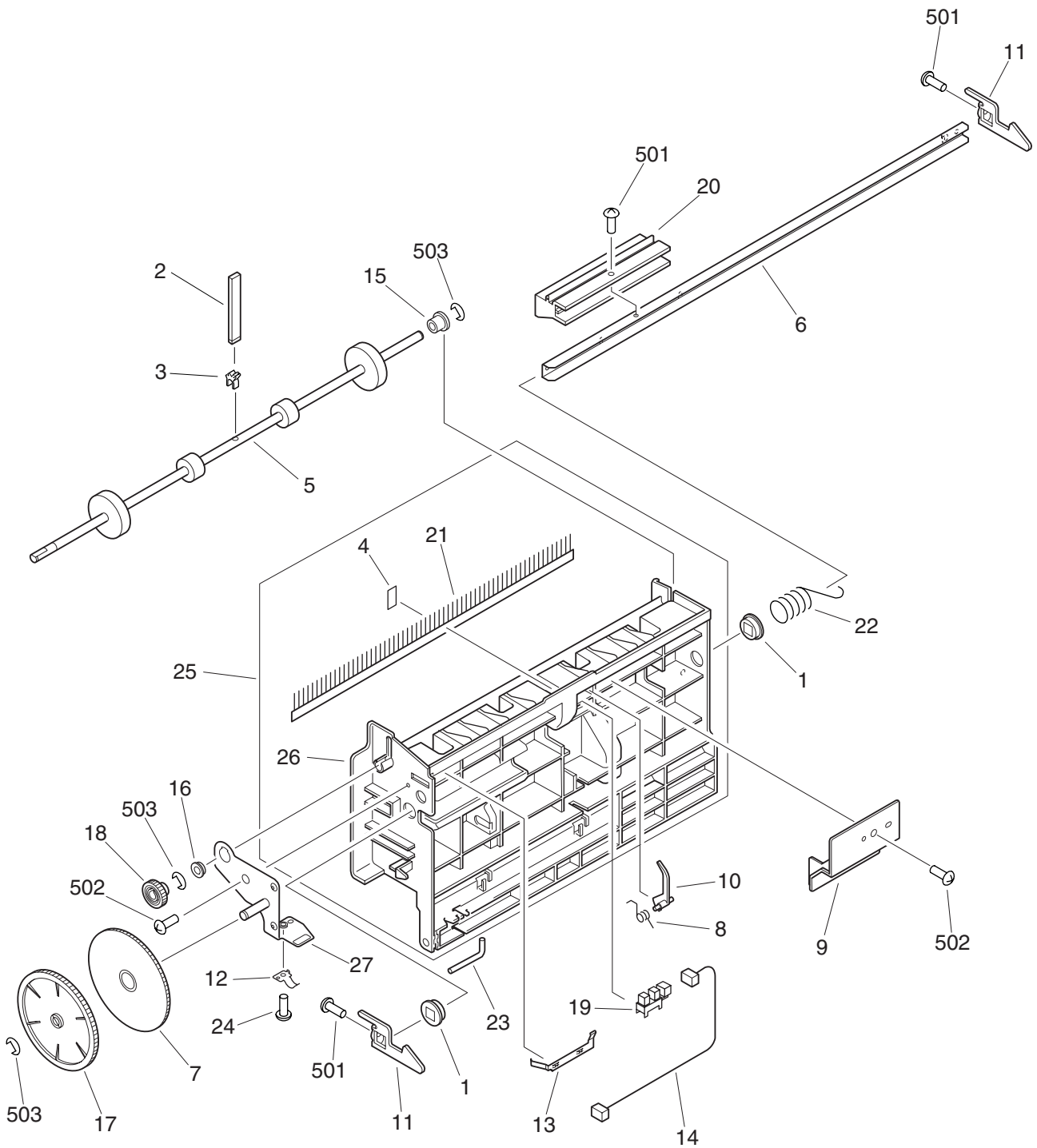
ITEM NO.	PARTS NO.	PARTS NAME	QTY / PAGE	QTY / PACK	P	I	R	BSI NO.	TO	T	FROM	SERIAL NO.	REMARKS	C
0B	6LA54598000	ASM-GUIDE-552	1	1/C									MJ-1018	
1B	44209582000	LEVER	1	1/P									MJ-1018	
2B	4402963780	GUIDE-COV-JAM	2	1/P									MJ-1018	
3B	4402968880	BRUSH	1	1/KP									MJ-1018	
4B	44221190000	SPL	2	1/P									MJ-1018	
5B	44209913000	BRUSH	1	1/KP									MJ-1018	
6B	44221191000	ROLLER-INLET	2	1/P									MJ-1018	
7B	44210623000	GUIDE-SADDLE-2	1	1/PP									MJ-1018	
8B	44210622000	GUIDE-SADDLE-1	1	1/PP									MJ-1018	
9B	44210801000	PLATE-GUIDE-F	1	1/P									MJ-1018	
10B	44210802000	PLATE-GUIDE-R	1	1/P									MJ-1018	
11B	44210803000	BUSHING	2	5/P									MJ-1018	
12B	44209914000	SHEET-1	1	1/KP									MJ-1018	
13B	44209915000	SHEET-2	1	1/KP									MJ-1018	
501B	X0-01741000	S/BID-M3X4-ZB	3	10/P									MJ-1018	
502B	X0-01747000	S/BID-M4X6-ZB	4	10/P									MJ-1018	
503B	44209734000	SCREW-M4*4.5	2	10/P									MJ-1018	
504B	4400790620	SCREW-M4*6	6	50/P									MJ-1018	



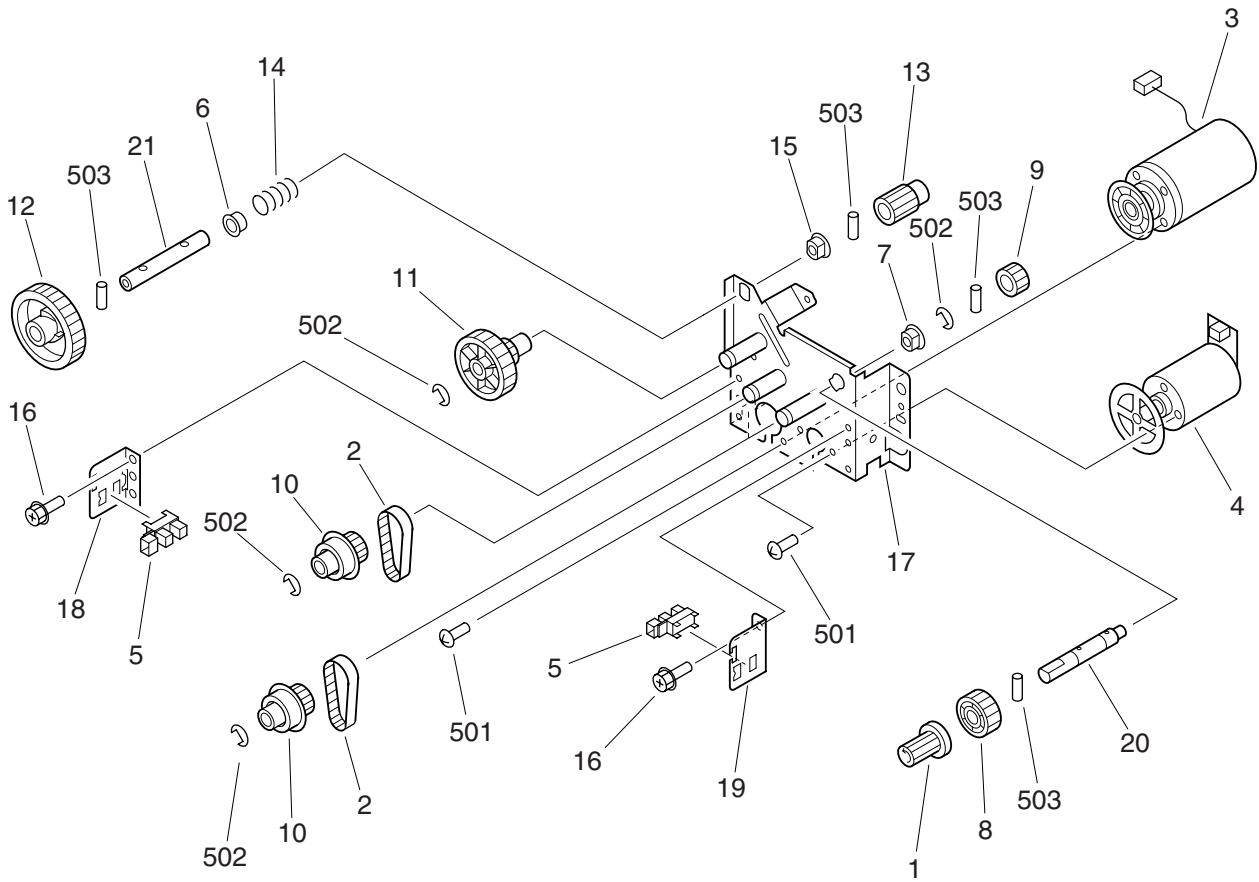
ITEM NO.	PARTS NO.	PARTS NAME	QTY / PAGE	QTY / PACK	PIR	BSI NO.	TO	FROM	SERIAL NO.	REMARKS	C
0B	44210804000	ASM-STPL-SADDLE	1	1/C						MJ-1018	
1B	4402969610	WASHER	2	5/P						MJ-1018	
2B	44209920000	GUIDE-STPL-2	1	1/P						MJ-1018	
3B	4402969630	STAPLER-502	2	1/C						MJ-1018	
4B	4402969810	SPACER-STAPLER	1	5/P						MJ-1018	
5B	4402969650	SLIDER-UPPER	2	1/P						MJ-1018	
6B	4402969660	PLATE	1	1/P						MJ-1018	
7B	4402969670	SLIDER-LOWER	1	1/P						MJ-1018	
8B	4402969680	COVER-STAPLER	1	1/PP						MJ-1018	
9B	4402969690	COVER	1	1/P						MJ-1018	
10B	4402969700	SPL	1	1/P						MJ-1018	
11B	4402969710	COV-STAPLER	1	1/P						MJ-1018	
12B	44209923000	WIRE-HARNESS	1	1/P						MJ-1018	
13B	4407839350	SCREW-M4	2	50/P						MJ-1018	
14B	4402969740	SCREW-M3*13.6	2	10/P						MJ-1018	
15B	4402969750	BUSHING	2	1/P						MJ-1018	
16B	4402969760	SPRING	1	5/P						MJ-1018	
17B	4402969770	SPRING	2	5/P						MJ-1018	
18B	44209924000	GUIDE-STPL-3	1	1/P						MJ-1018	
19B	44209925000	GUIDE-STPL-1	1	1/P						MJ-1018	
20B	4400792330	SCREW-RS-M4	16	50/P						MJ-1018	
21B	4402969780	HANDLE	1	1/P						MJ-1018	
22B	4402969790	SPL	1	1/P						MJ-1018	
23B	4402969640	SHAFT	1	1/P						MJ-1018	
24B	4402969820	BASE-STPL-502	1	1/P						MJ-1018	
25B	4402969860	FRAME-STPL-502	1	1/P						MJ-1018	
26B	4402969850	GUIDE-STAPLER	1	1/P						MJ-1018	
27B	4402969830	STOPPER	1	1/P						MJ-1018	
28B	4402969840	GUIDE	1	1/P						MJ-1018	
31B	4402969800	SHEET-STAPLER	1	5/P						MJ-1018	
501B	X0-01820000	S/FPAN-M4X6-ZB	7	10/P						MJ-1018	
502B	4402016830	ERRING-6.4	1	50/P						MJ-1018	
503B	X0-01821000	S/FPAN-M4X8-ZB	4	10/P						MJ-1018	
504B	X0-01279000	S/BID-M4X10-NC	2	10/P						MJ-1018	
505B	X0-01748000	S/BID-M4X4-ZB	1	10/P						MJ-1018	

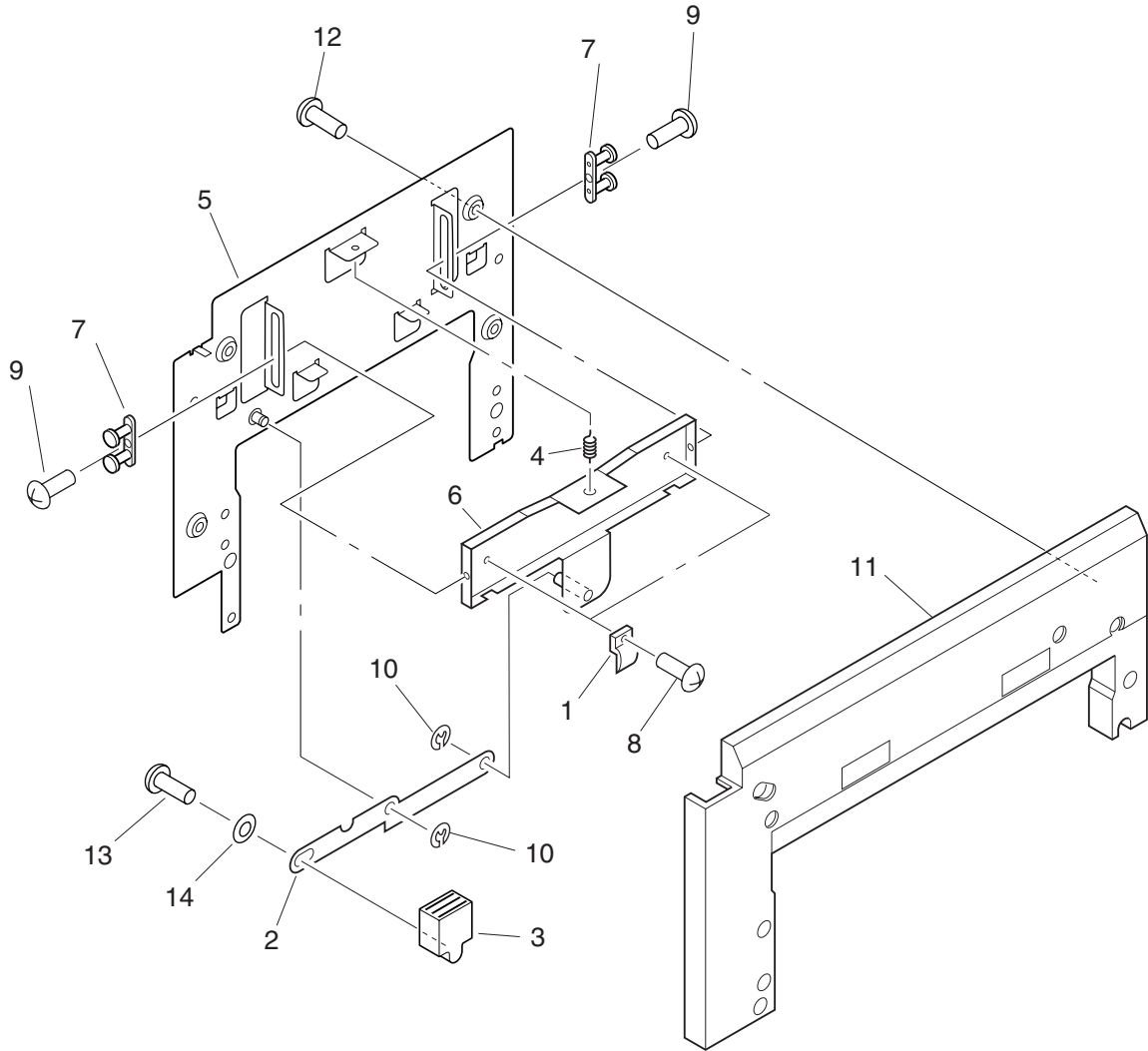




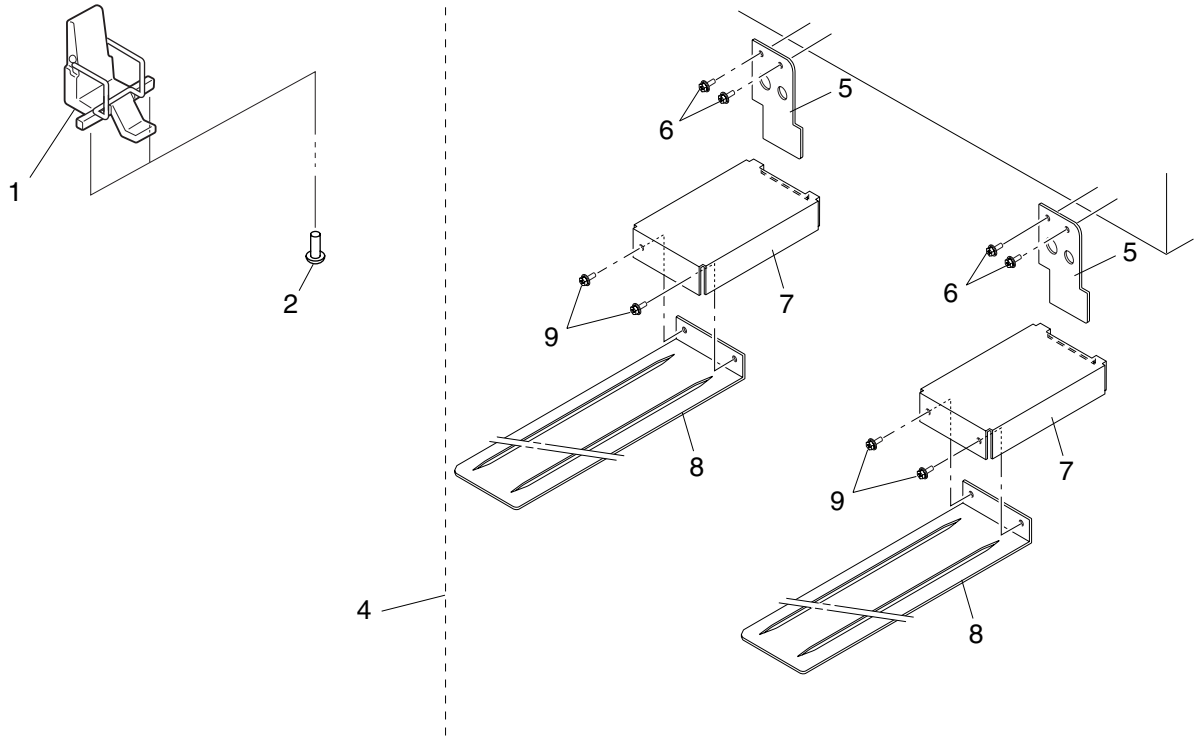


NOTE: This assembly does not include the part shown with item No. 23.





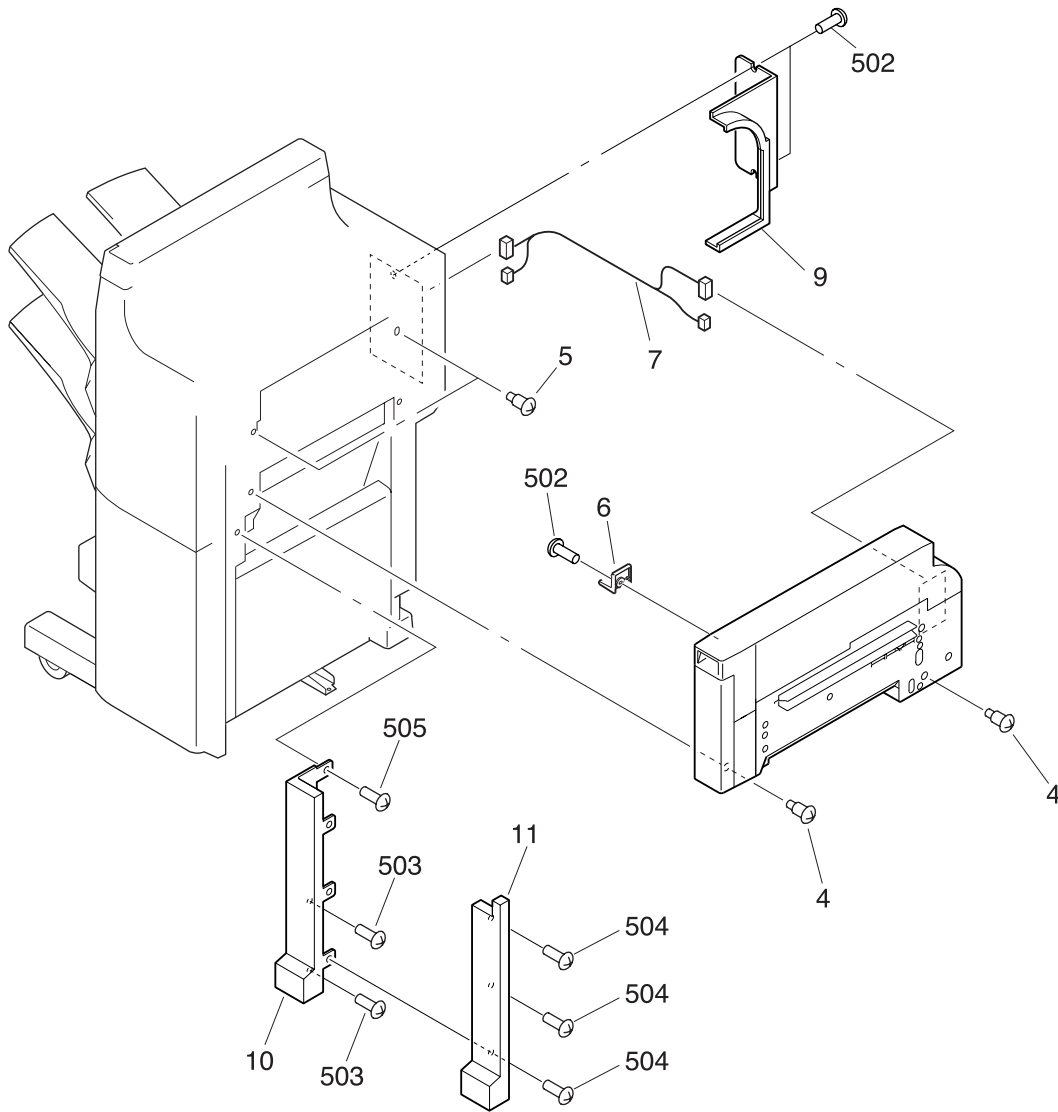
ITEM NO.	PARTS NO.	PARTS NAME	QTY / PAGE	QTY / PACK	P	I	R	BSI NO.	TO	FROM	SERIAL NO.	REMARKS	C
0	6LA54501000	ASY-LATCH-552	1	1/PP									
1	44209587000	CLAW-LATCH-516	2	1/P									
2	44209942000	ARM-LATCH	1	1/P									
3	44209591000	BUTTON-LATCH	1	1/P									
4	44209943000	SPE	1	5/P									
5	44210816000	COVER-LATCH-R	1	1/PP									
6	44209945000	BRKT-LATCH	1	1/P									
7	44209946000	BRKT-SLIDE	2	1/P									
8	X0-01815000	S/FPAN-M3X6-ZB	2	10/P									
9	X0-01741000	S/BID-M3X4-ZB	2	10/P									
10	4402016800	ERRING-5	2	50/P									
11	6LA54550000	COV-LATCH	1	1/PP									
12	4402015300	PAN-XB47400809	4	50/P									
13	4402015350	PAN-XB47401009	1	50/P									
14	4402016290	OWAS-XD11105235	1	10/P									

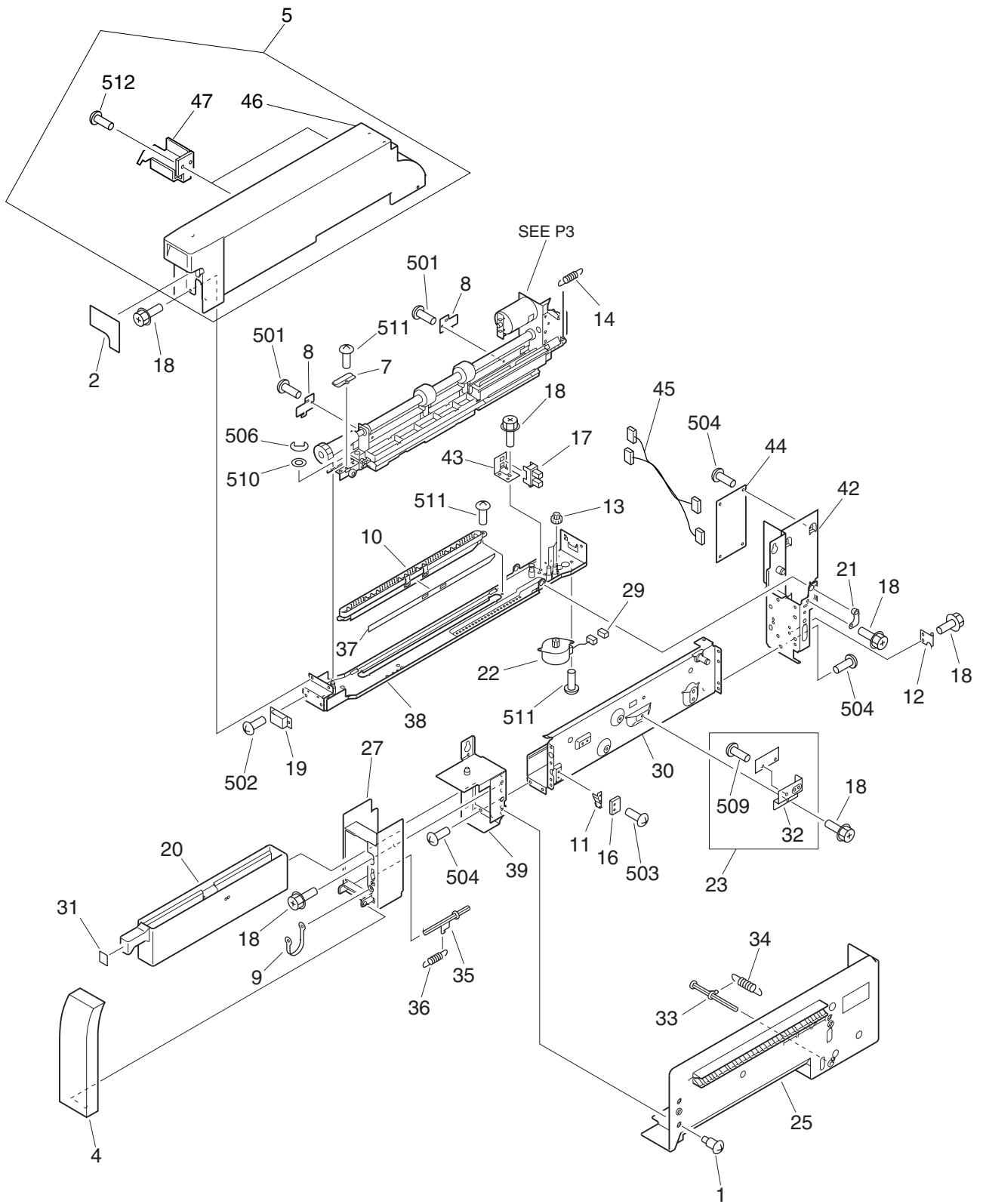


CONTENTS (MJ-6003)

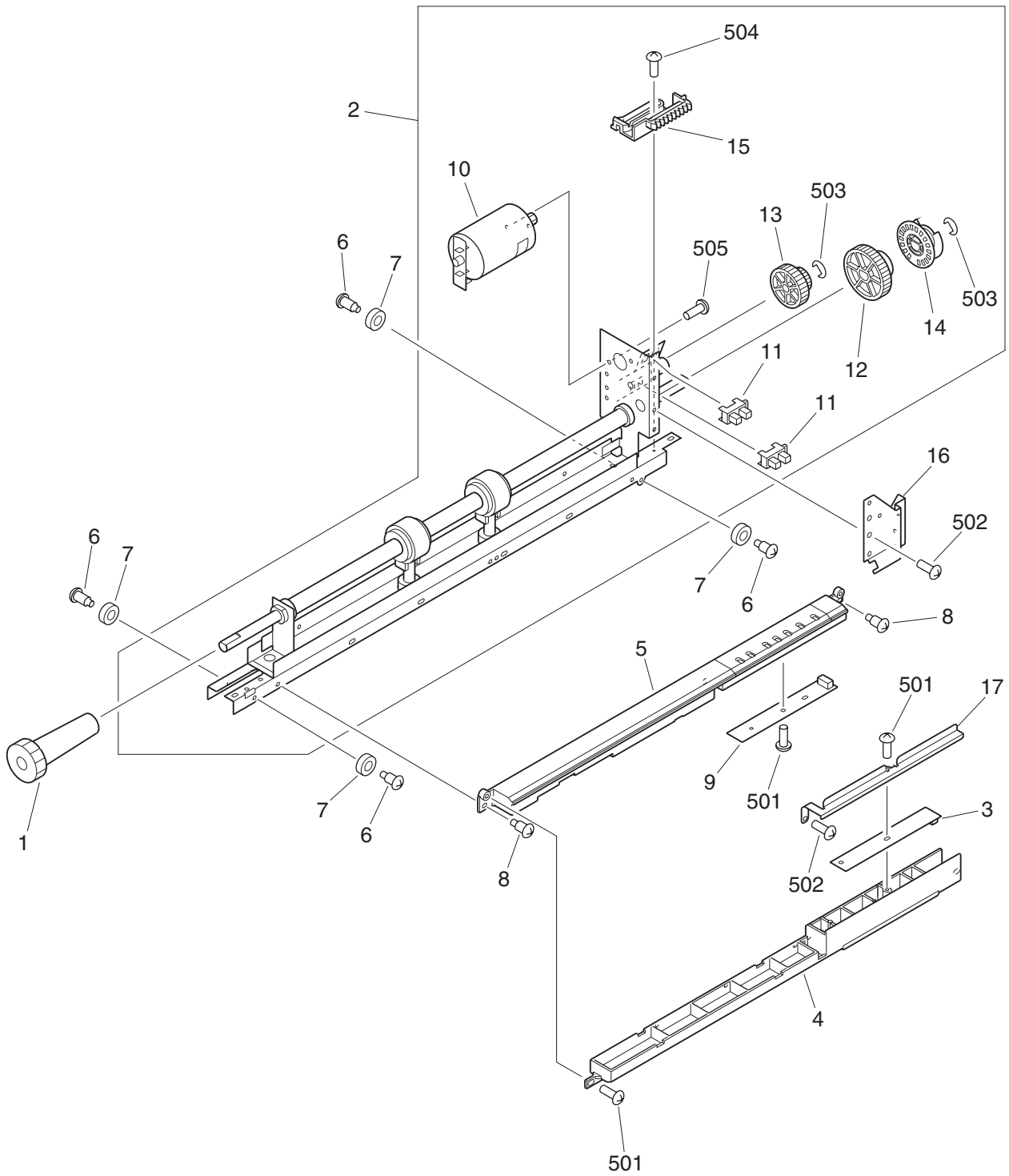
1. ATTACHMENT PARTS 1
 2. PUNCH MAIN BODY 2
 3. PUNCH SLIDE ASSEMBLY ... 3
-

PARTS NUMBER INDEX





ITEM NO.	PARTS NO.	PARTS NAME	Q'TY / PAGE	Q'TY / PACK	P	I	R	BSI NO.	TO	T	FROM	SERIAL NO.	REMARKS	C
1	44209653000	SCREW-M4	4	10/P										
2	44209549000	LBL-JAM-PUNCH	1	5/P										
4	6LA54554000	DOOR-PUNCH	1	1/P										
5	44210825000	COVER-TOP-538-T	1	1/P										
7	44209951000	PLATE	1	1/P										
8	44209952000	PLATE	2	1/P										
9	44210657000	TAPE-COV-538-F	1	1/P										
10A	44209954000	DUCT-PUNCH	1	1/P									MJ-6003E	
10B	44209955000	DUCT-PUNCH	1	1/P									MJ-6003N/F/S	
11	44209956000	SPL	1	1/P										
12	44209957000	SPL	1	1/P										
13	44209958000	GEAR-16T/25T	3	1/P										
14	44209959000	SPE	1	5/P										
16	4400790510	MICROSWITCH	1	1/D										
17	44209666000	PHOTO INTERRUPTER	1	1/C										
18	4400792330	SCREW-RS-M4	8	50/P										
19	4407837720	MAGNET-CATCH	1	1/P										
20	44209961000	BOX-DUST	1	1/P										
21	44209962000	PLATE-PUNCH	1	1/P										
22	44209963000	MOTOR	1	1/C										
23	44209964000	SZ-DUST-PUNCH	1	1/C										
25	6LA54555000	ASY-GUIDE-R	1	1/P										
27	6LA54556000	COV-PUNCH	1	1/P										
29	4402350100	CONNECTOR	1	5/P										
30	44210658000	BRKT-538	1	1/P										
31	44209548000	SEAL	1	5/P										
32	44209965000	HOLDER-SENSOR	1	1/P										
33	44209968000	ARM-SENSOR	1	1/P										
34	4402349880	SPRING	1	5/P										
35	44209971000	LEVER-DOOR-F	1	1/P										
36	4402349880	SPRING	1	5/P										
37	44210012000	SHEET-DUST	1	5/KP										
38	44210011000	FRAME-PUNCH	1	1/P										
39	44210013000	K-BRKT-PUNCH-F	1	1/P										
42	44210016000	BRKT-PUNCH-R	1	1/P										
43	44210017000	BRKT-SENSOR	1	1/P										
44	44210024000	PWA-F-LGC-518	1	1/SB										
45	44210841000	WIRE-HARNESS	1	1/P										
46	6LA54557000	COV-TOP	1	1/PP										
47	44210848000	BRKT-TOP-538	2	1/P										
501	44209973000	SCREW-TP-M3*4	2	10/P										
502	4402356860	SCREW	2	50/P										
503	4400595930	SCREW	1	50/P										
504	X0-01747000	S/BID-M4X6-ZB	1	10/P										
506	4402016800	ERRING-5	2	50/P										
509	4402015230	PAN-SCREW	1	50/P										
510	4402016440	OWAS-XD11106232	2	10/P										
511	X0-00431000	S/BID-M3X6-ZB	3	10/P										
512	4402352090	SCRW-XB47401207	2	50/P										



ITEM NO.	PARTS NO.	PARTS NAME	QTY / PAGE	QTY / PACK	PIR	BSI NO.	TO	FROM	SERIAL NO.	REMARKS	C
0A	44209975000	ASM-PUNCH-SLIDE	1	1/C						MJ-6003E	
0B	44209976000	ASM-PUNCH-SLIDE	1	1/C						MJ-6003N	
0C	44209977000	ASM-PUNCH-SLIDE	1	1/C						MJ-6003F	
0D	44209978000	ASM-PUNCH-SLIDE	1	1/C						MJ-6003S	
1	44209979000	KNOB-PUNCH	1	1/P							
2A	44209980000	UNIT-PUNCH-E	1	1/C						MJ-6003E	
2B	44209981000	UNIT-PUNCH-N	1	1/C						MJ-6003N	
2C	44209982000	UNIT-PUNCH-F	1	1/C						MJ-6003F	
2D	44209983000	UNIT-PUNCH-S	1	1/C						MJ-6003S	
3	44209989000	PCB	1	1/C							
4	44209990000	HOLDER-SENS-U	1	1/P							
5	44209991000	HOLDER-SENS-L	1	1/P							
6	4407838280	SCREW-M3	4	50/P							
7	4402351880	ROLLER	4	1/P							
8	44209992000	SCREW-M3	2	10/P							
9	44209993000	PCB	1	1/C							
10	44209984000	MOTOR	1	1/C							
11	44209985000	PHOTO INTERRUPT	2	1/C							
12	44209986000	GEAR-47T	1	1/P							
13	44209987000	GEAR-19T/57T	1	1/P							
14	44209988000	ENCODER	1	1/P							
15	44210025000	RACK-SLIDE	1	1/P							
16	44210019000	GUIDE-HARNESS	1	1/P							
17	44210020000	PLATE-SENSOR	1	1/P							
501	4402015230	PAN-SCREW	4	50/P							
502	X0-00431000	S/BID-M3X6-ZB	5	10/P							
503	4402016800	ERRING-5	2	50/P							
504	44209994000	SCREW-M3*8	1	10/P							
505A	44209995000	SCREW-M3*10	2	10/P						MJ-6003E	
505B	44209995000	SCREW-M3*10	5	10/P						MJ-6003N	
505C	44209995000	SCREW-M3*10	4	10/P						MJ-6003F/6003S	

TOSHIBA

TOSHIBA TEC CORPORATION

1-1, KANDA NISHIKI-CHO, CHIYODA-KU, TOKYO, 101-8442, JAPAN