

SERVICE PARTS LIST

LCIT

RT5040

P

LCIT RT5040 (D453)

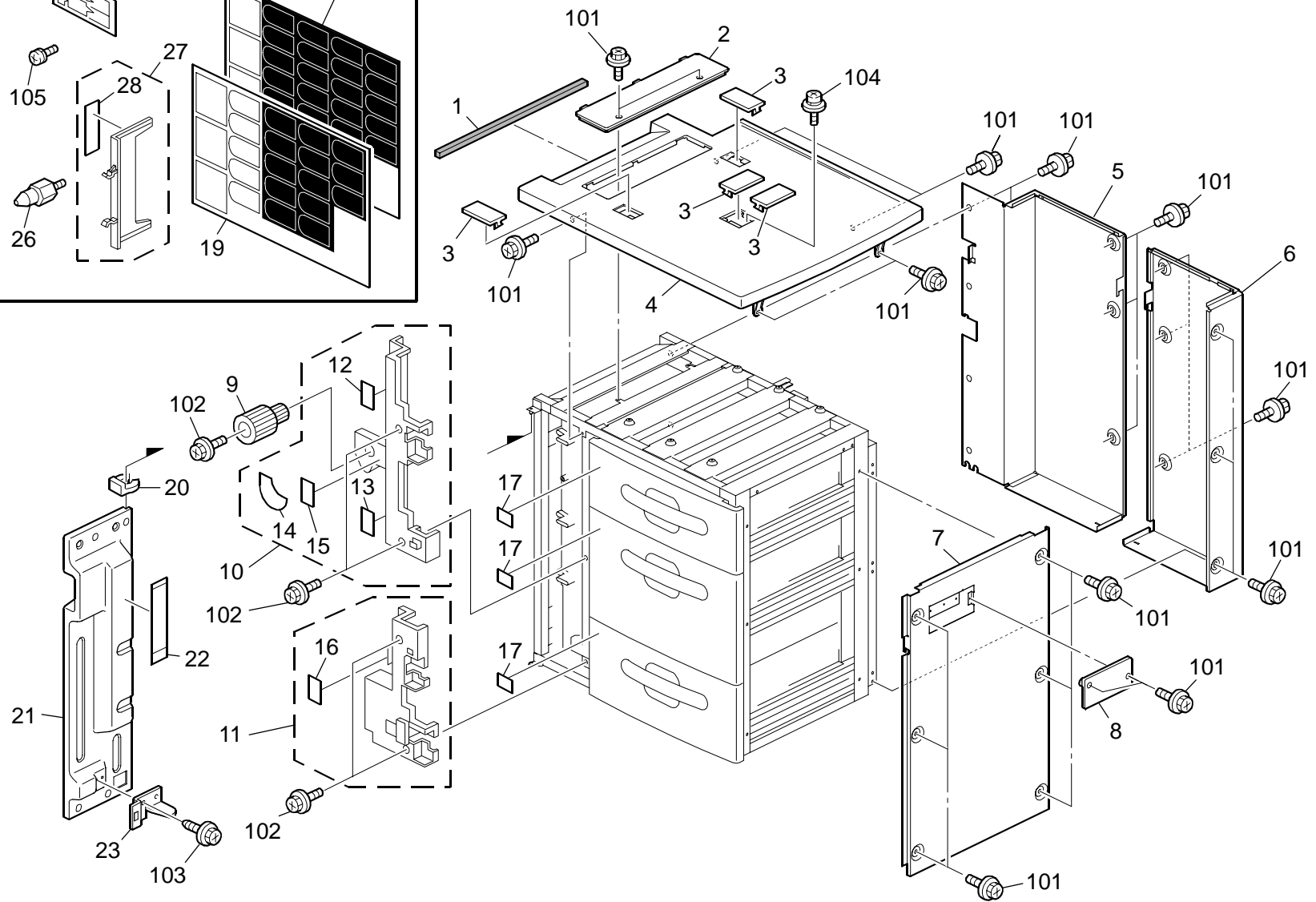
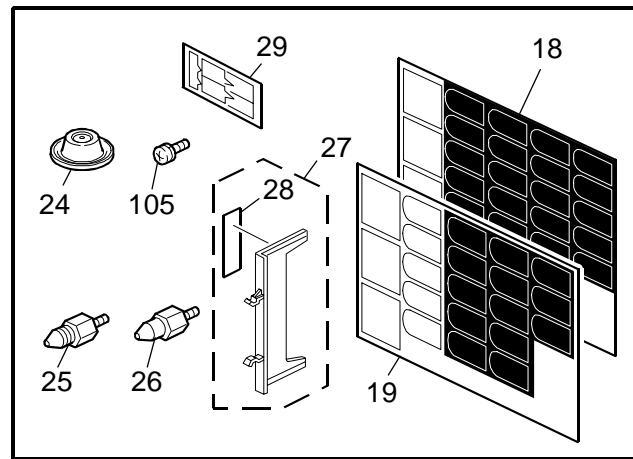
PARTS CATALOG

This catalog gives the numbers and names of parts on this machine.

1.Exterior (D453)	2	19.Paper Feed Unit 3 (D453).....	38
2.Tray 4/6 Unit 1 (D453)	4	20.Paper Transfer 1 (D453).....	40
3.Tray 4/6 Unit 2 (D453)	6	21.Paper Transfer 2 (D453).....	42
4.Tray 4/6 Unit 3 (D453)	8	22.Paper Transfer 3 (D453).....	44
5.Tray 4/6 Unit 4 (D453)	10	23.Paper Transfer 4 (D453).....	46
6.Tray 4/6 Unit 5 (D453)	12	24.Paper Transfer 5 (D453).....	48
7.Tray 4/6 Unit 6 (D453)	14	25.Paper Transfer 6 (D453).....	50
8.Tray 4/6 Unit 7 (D453)	16	26.Drive Section 1 (D453).....	52
9.Tray 5 Unit 1 (D453)	18	27.Drive Section 2 (D453).....	54
10.Tray 5 Unit 2 (D453)	20	28.Electrical Section (D453)	56
11.Tray 5 Unit 3 (D453)	22	29.Frame Section 1 (D453).....	58
12.Tray 5 Unit 4 (D453)	24	30.Frame Section 2 (D453).....	60
13.Tray 5 Unit 5 (D453)	26	Parts Index.....	64
14.Tray 5 Unit 6 (D453)	28		
15.Tray 5 Unit 7 (D453)	30		
16.Tray 5 Unit 8 (D453)	32		
17.Paper Feed Unit 1 (D453)	34		
18.Paper Feed Unit 2 (D453)	36		

July 20, 2010

1.Exterior (D453)

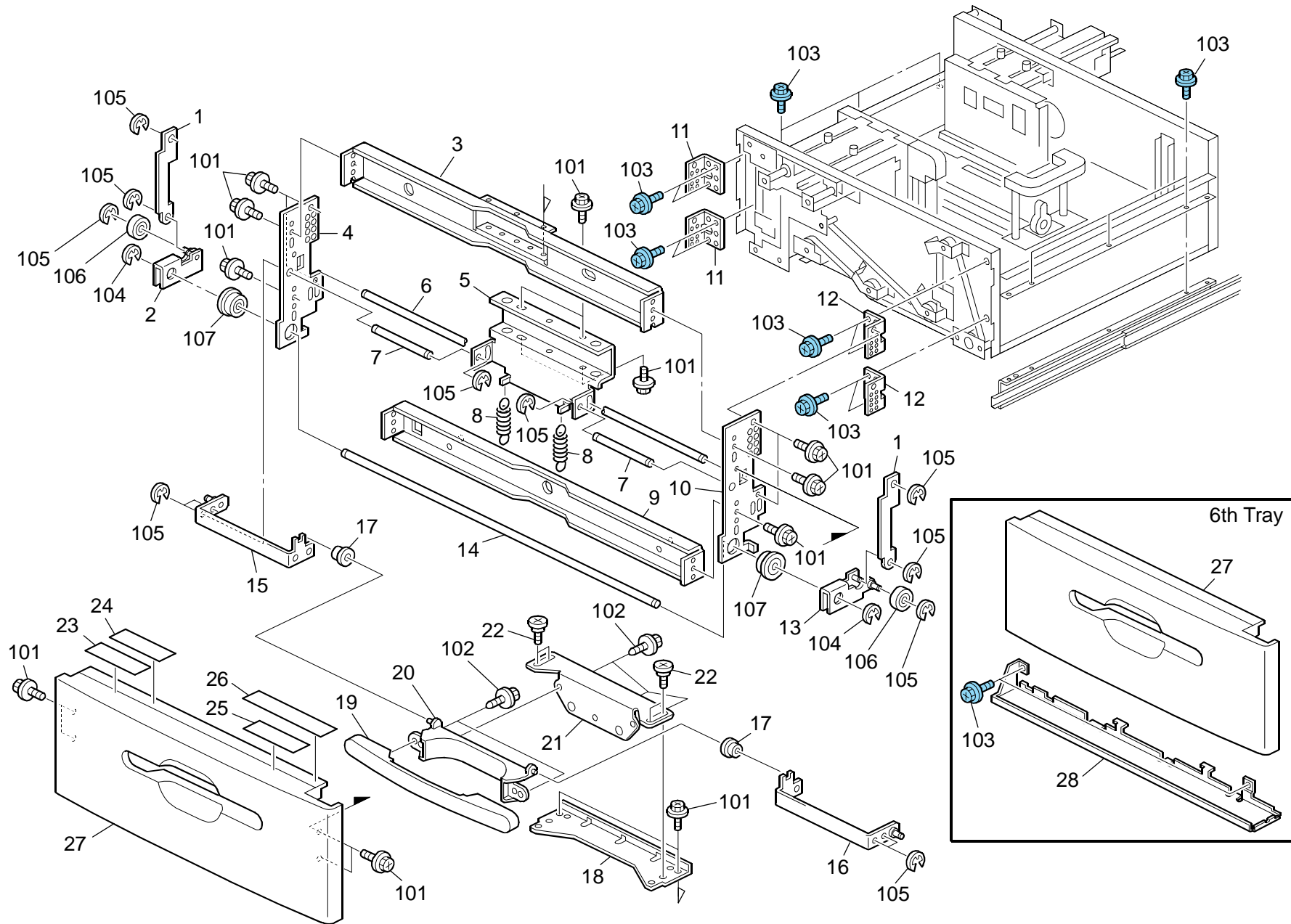


1.Exterior (D453)

Index No.	Part No.	Description	Q'ty Per Assembly
1	B832 1371	Spacer Cushion	1
2	B511 1378	Cover:Cover:Upper	1
3	B024 1365	Cap - 38x77	4
4	D453 1370	Cover:Upper	1
5	D453 1360	Cover:Rear:Left:Ass'y	1
6	B834 1376	Rear Cover - Right	1
7	B834 1385	Cover - Right	1
8	B511 1386	Cover:Right:Key Counter	1
9	AG05 0067	Knob - Transport Roller	1
10	D453 1331	Inner Cover:Paper Feed:Upper	1
11	D453 1341	Inner Cover:Paper Feed:Lower	1
12	B834 1331	Decal - Misfeed Removal (U1)	1
13	B832 1332	Decal - Misfeed Removal (U3)	1
14	B834 1333	Decal - Misfeed Removal (U7)	1
15	B834 1334	Decal - Misfeed Removal (U8)	1
16	B834 1319	Decal - Misfeed Removal (U5)	1
17	D452 1310	Decal:Paper Tray:LCT	1
18	D453 1309	Decal:Size Indication:Multi-language:2	1
19	D453 1308	Decal:Size Indication:Multi-language:1	1
20	5447 2681	Snap Ring	1
21	B834 1360	Cover - Left	1
22	B834 1309	Decal - Misfeed Removal	1
23	B834 1361	Magnet Catch	1
24	B132 1226	Holder:Stand	4
25	B832 1100	Positioning Pin - Upper	2
26	B832 1101	Positioning Pin - Lower	2
27	D355 2784	End Fence:Tab:Ass'y	1
28	D350 1322	Decal:End Fence:Tab	1
29	B070 1307	Decal:Paper Set Direction	1

Index No.	Part No.	Description	Q'ty Per Assembly
101	0454 4008N	Tapping Screw:Round Point:4x8	
102	0451 4008N	Tapping Screw:4x8	
103	0450 4008N	Tapping Screw - M4x8	
104	0951 4008N	Screw:Polished Round:M4x8	
105	0954 4010N	Screw:Polished Round/Spring:M4x10	

2.Tray 4/6 Unit 1 (D453)

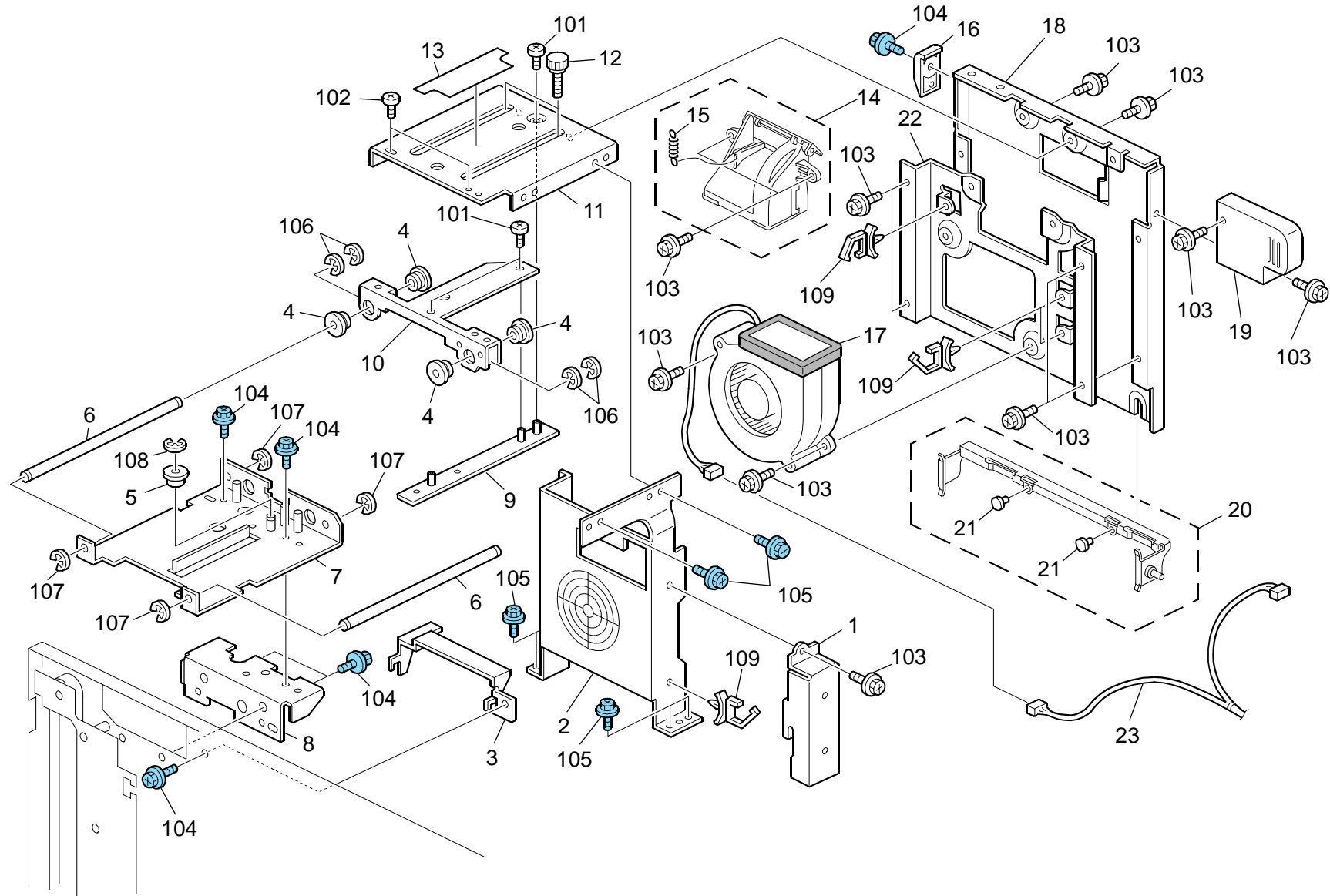


2.Tray 4/6 Unit 1 (D453)

Index No.	Part No.	Description	Q'ty Per Assembly
1	B834 3478	Link Handle	2
2	D453 3400	Guide:Stopper:Left	1
3	B834 3283	Stay:Main	1
4	B834 3480	Plate - Left	1
5	D453 3475	Bracket:Main	1
6	B834 3438	Link Shaft	1
7	B834 3384	Contact Point Shaft	2
8	H516 3666	Spring - 19.6mm	2
9	B834 3378	Stay	1
10	B834 3481	Plate - Right	1
11	B834 4892	Registration Side Plate - Left	2
12	B834 4891	Registration Side Plate - Right	2
13	D453 3425	Guide:Stopper:Right	1
14	D453 4449	Shaft:Link:Pierce	1
15	B834 3379	Arm:Swivel:Left:Peen	1
16	B834 3385	Arm - Right	1
17	B834 3312	Collar	2
18	B834 3376	Plate:Handle	1
19	D453 1384	Grip:Paper Tray:Front	1
20	D453 1389	Grip:Paper Tray:Rear	1
21	D453 2751	Plate:Grip:Joint	1
22	AA14 3852	Screw	4
23	D350 1313	Decal:Paper:Supply:Left	1
24	D453 1323	Decal:Side Fence:Postcard:1	1
25	D350 1312	Decal:Paper:Supply:Right	1
26	D453 1324	Decal:Side Fence:Postcard:2	1
27	D453 1381	Cover:Paper Tray:Upper	1
27	D453 1383	Cover:Paper Tray:Lower	1
28	D453 2719	Separation Plate:Drive Unit	1

Index No.	Part No.	Description	Q'ty Per Assembly
101	0451 4008N	Tapping Screw:4x8	
102	0450 4008N	Tapping Screw - M4x8	
103	0454 4008Q	Tapping Screw - M4x8	
104	0720 0060E	Retaining Ring - M6	
105	0720 0040E	Retaining Ring - M4	
106	0740 3506	Ball Bearing - 6x12x4 mm	
107	0742 3808	Ball Bearing - 8x16x5	

3.Tray 4/6 Unit 2 (D453)

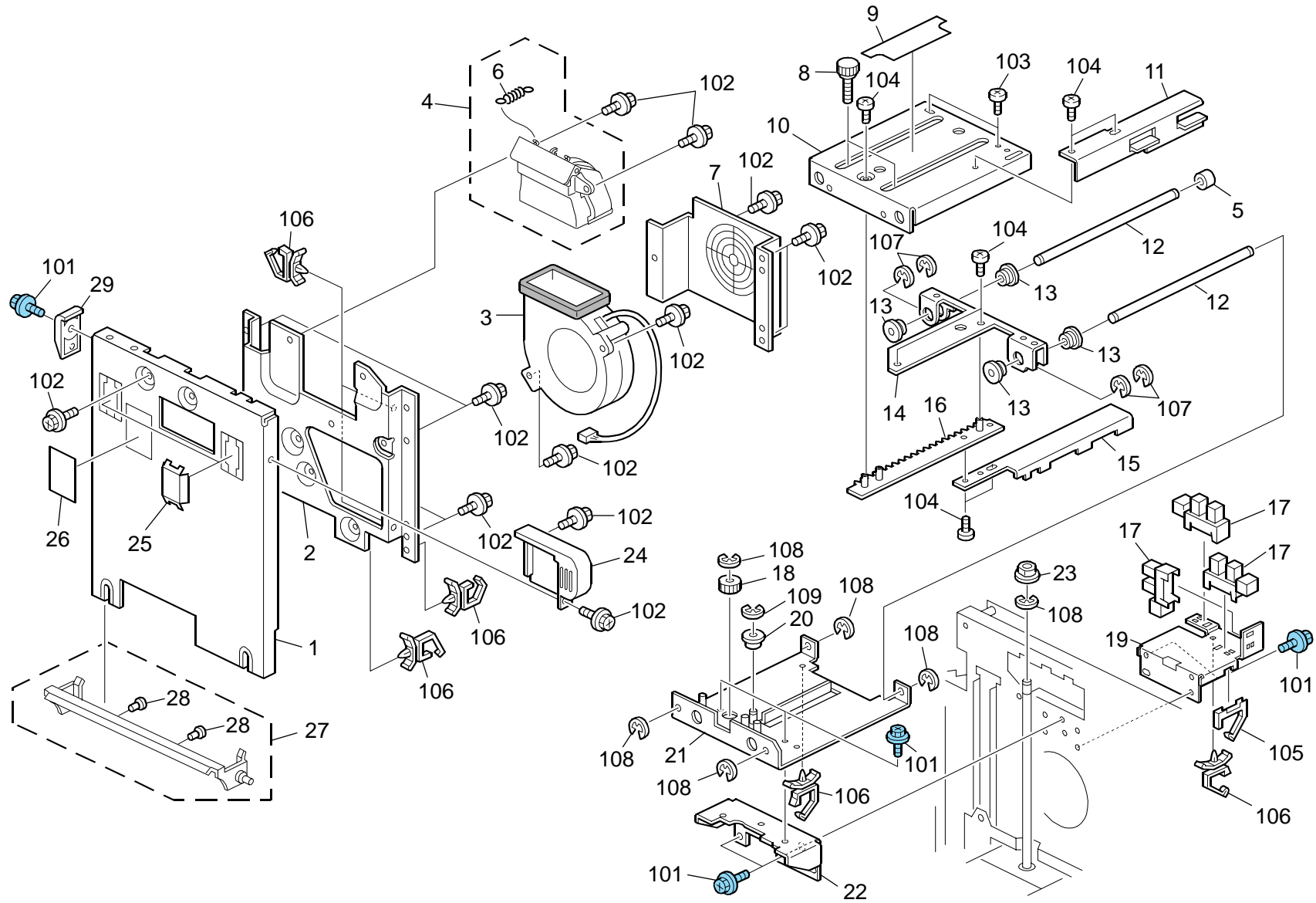


3.Tray 4/6 Unit 2 (D453)

Index No.	Part No.	Description	Q'ty Per Assembly
1	D453 3462	Cover:Blower:Harness	1
2	D453 3459	Guard:Blower:Front	1
3	D350 4517	Guard:Tray:Side Fence	1
4	B834 3350	Bushing - 6x10x6.5	4
5	B834 3312	Collar	1
6	B834 3368	Slide Shaft - Upper	2
7	B834 3323	Holder - Upper Front	1
8	B834 3353	Bracket:Upper Front:Side Fence	1
9	D350 3339	Rack:Upper Front:Peen	1
10	B834 3332	Guide - Upper Front	1
11	B834 3355	Cover:Upper Front	1
12	B832 2877	Knob Screw:Tray:Guide:Green	2
13	D355 1394	Decal:Side Fence:Scale:Front	1
14	D355 3365	Duct:Upper Front:Blower:Ass'y	1
15	AA06 0858	DC Solenoid Spring	1
16	D355 4654	Cover:Side Fence	1
17	D355 5515	Blower:Fan:DC24V 18.24W	1
18	D453 4654	Side Fence:Front	1
19	B834 4153	Side Fence Grip	1
20	D355 4630	Tray Bottom Plate - Support	1
21	D355 4608	Spacer:Side Fence:Push Rivet	2
22	D453 4652	Supporting Plate:Side Fence:Front	1
23	D453 5325	Harness:Dc Fan Motor:F1F3	1

Index No.	Part No.	Description	Q'ty Per Assembly
101	0453 3006N	Tapping Screw - M3x6	
102	0453 4006N	Binding Self Tapping Screw:4x6	
103	0451 4008N	Tapping Screw:4x8	
104	0454 4008Q	Tapping Screw - M4x8	
105	0454 4006Q	Tapping Screw:4x6	
106	0720 0080E	Retaining Ring - M8	
107	0720 0040E	Retaining Ring - M4	
108	0720 0030E	Retaining Ring - M3	
109	1105 0511	Harness Clamp - LWS-0306ZC	

4.Tray 4/6 Unit 3 (D453)

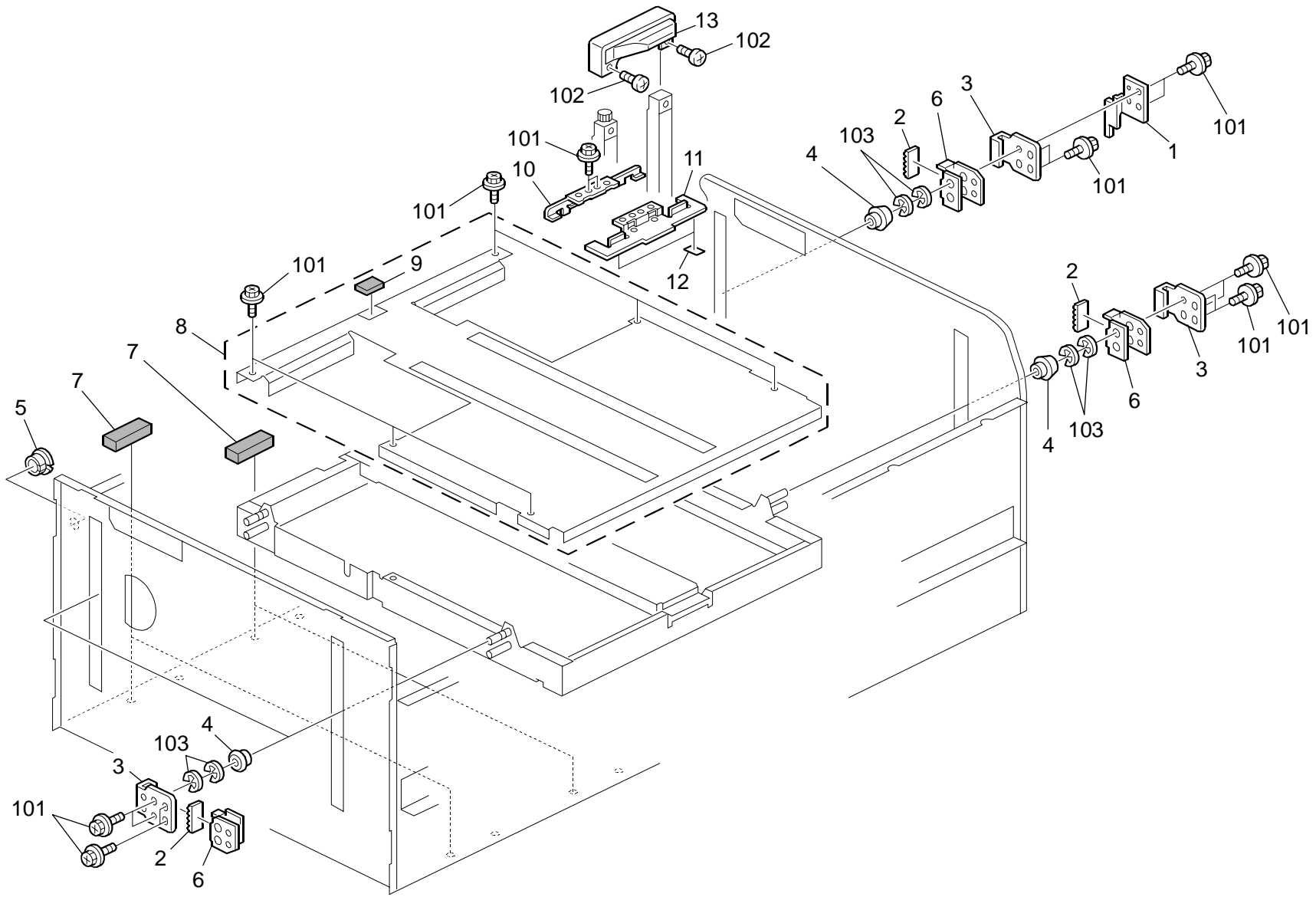


4.Tray 4/6 Unit 3 (D453)

Index No.	Part No.	Description	Q'ty Per Assembly
1	D453 4665	Side Fence:Rear	1
2	D453 4662	Supporting Plate:Side Fence:Rear	1
3	D355 5515	Blower:Fan:DC24V 18.24W	1
4	D355 3375	Duct:Upper Rear:Blower:Ass'y	1
5	C236 3237	Collar 6x11.2x1.5	1
6	AA06 0858	DC Solenoid Spring	1
7	D355 3461	Guard:Blower:Rear	1
8	B832 2877	Knob Screw:Tray:Guide:Green	2
9	D355 1395	Decal:Side Fence:Scale:Rear	1
10	B834 3356	Cover:Upper Rear	1
11	B834 4743	Feeler - Paper Size Sensor No.2	1
12	B834 3368	Slide Shaft - Upper	2
13	B834 3350	Bushing - 6x10x6.5	4
14	B834 3334	Guide - Upper Rear	1
15	B834 4742	Feeler - Paper Size Sensor No.1	1
16	B834 3349	Rack - Upper Rear	1
17	AW02 0160	Paper Feed Sensor	3
18	B834 3316	Gear - 13Z	1
19	B834 4741	Paper Size Sensor Bracket	1
20	B834 3312	Collar	1
21	B834 3329	Holder - Upper Rear	1
22	B834 3354	Bracket:Upper Rear:Side Fence	1
23	AA08 2101	Bushing - 6x10x6	1
24	B834 4163	Side Fence Grip - Rear	1
25	D453 2777	Plate:Auxiliary:Small:Adhesion	2
26	D355 2674	Decal - Paper Volume	1
27	D355 4630	Tray Bottom Plate - Support	1
28	D355 4608	Spacer:Side Fence:Push Rivet	2
29	D355 4654	Cover:Side Fence	1

Index No.	Part No.	Description	Q'ty Per Assembly
101	0454 4008Q	Tapping Screw - M4x8	
102	0451 4008N	Tapping Screw:4x8	
103	0453 4006N	Binding Self Tapping Screw:4x6	
104	0453 3006N	Tapping Screw - M3x6	
105	1105 0522	Edge Saddle - LES0510	
106	1105 0511	Harness Clamp - LWS-0306ZC	
107	0720 0080E	Retaining Ring - M8	
108	0720 0040E	Retaining Ring - M4	
109	0720 0030E	Retaining Ring - M3	

5.Tray 4/6 Unit 4 (D453)

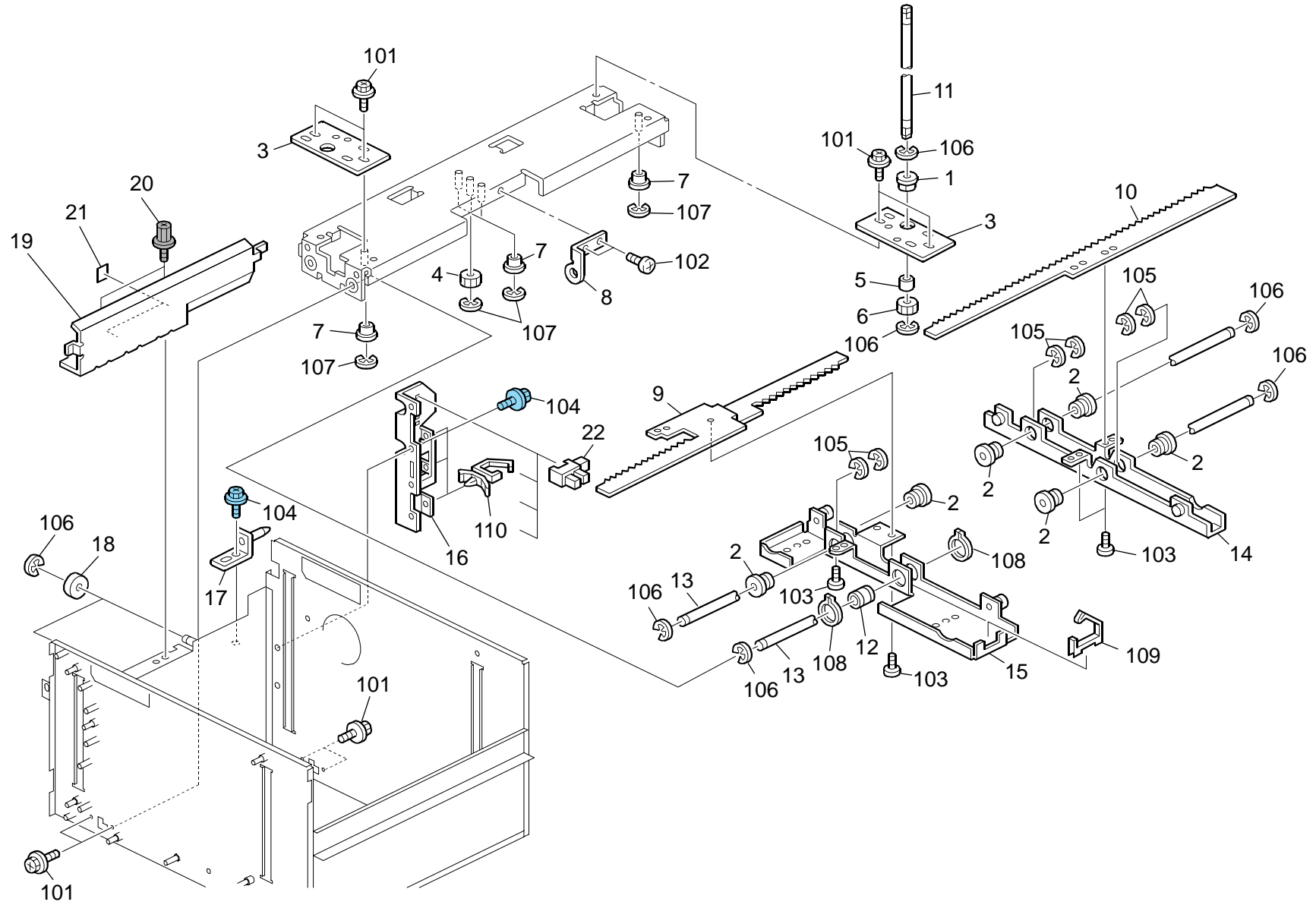


5.Tray 4/6 Unit 4 (D453)

Index No.	Part No.	Description	Q'ty Per Assembly
1	D453 4576	Feeler:Paper Volume Sensor	1
2	C563 3116	Belt Joint	4
3	D355 3232	Bracket:Timing Belt:Rear	4
4	A335 4351	Guide Roller	4
5	B234 6141	Positioning Sleeve - Inner Back	1
6	B834 3231	Timing Belt Holder - Rear	4
7	B834 4032	Cushion:Tray:No.1	4
8	D355 4620	Tray Bottom Plate:Adhesion	1
9	5201 2858	Friction Pad	1
10	D355 4579	Guide:End Fence:Left	1
11	D355 4578	Guide:End Fence:Right	1
12	B834 3490	Spacer - Side Fence	2
13	D355 4591	Grip:End Fence:Ass'y	1

Index No.	Part No.	Description	Q'ty Per Assembly
101	0451 4008N	Tapping Screw:4x8	
102	0453 4006N	Binding Self Tapping Screw:4x6	
103	0720 0060E	Retaining Ring - M6	

6.Tray 4/6 Unit 5 (D453)

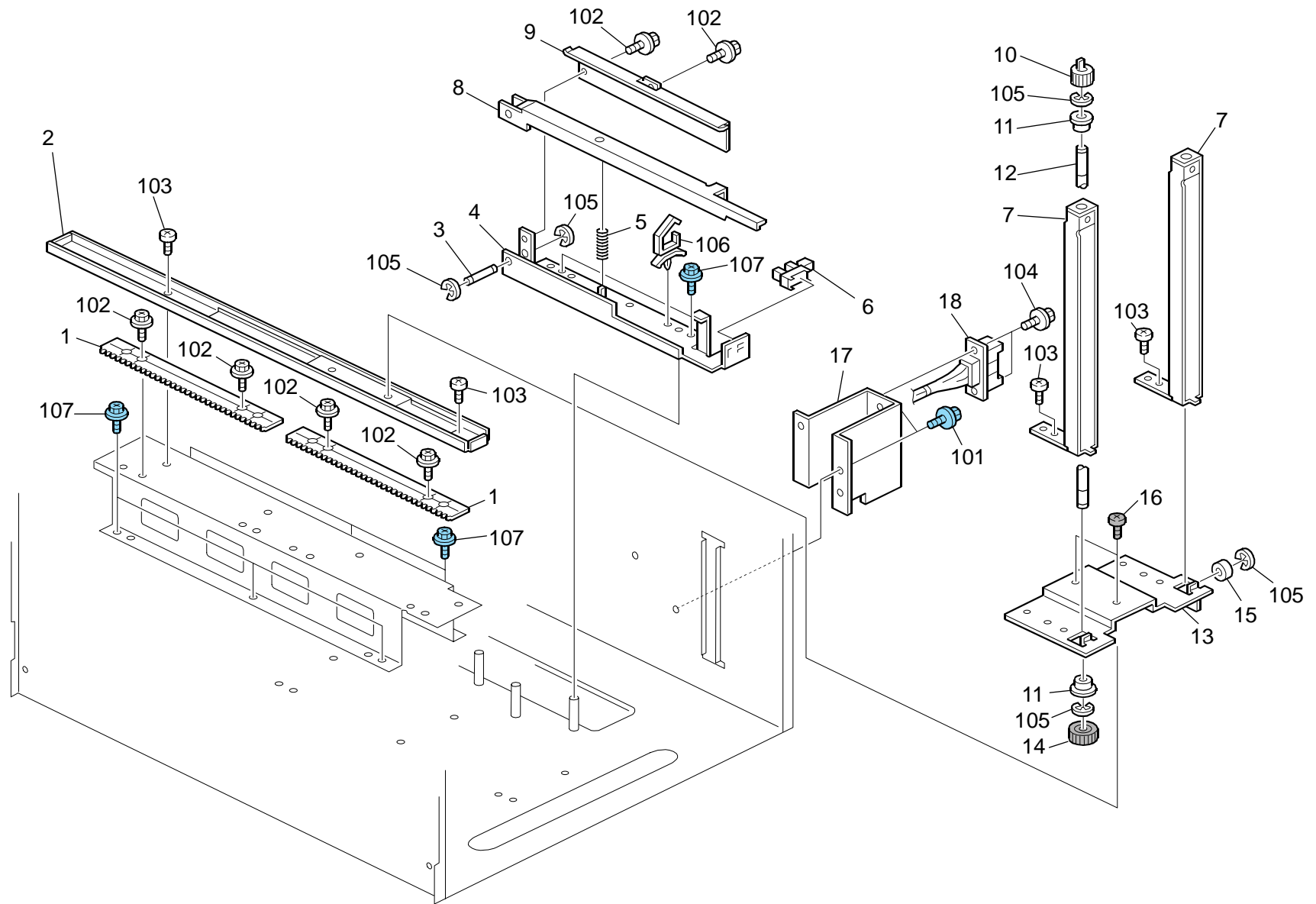


6.Tray 4/6 Unit 5 (D453)

Index No.	Part No.	Description	Q'ty Per Assembly
1	AA08 2101	Bushing - 6x10x6	1
2	B834 3350	Bushing - 6x10x6.5	6
3	B834 3318	Plate:Lower	2
4	B834 3315	Gear - 13Z	1
5	A376 1295	Spacer - M6x10x5	1
6	B834 3316	Gear - 13Z	1
7	B834 3312	Collar	4
8	B834 3314	Shaft Holder - Lower	1
9	B834 3313	Rack - Front:Lower	1
10	B834 4696	Rack - Rear Lower	1
11	B834 3471	Coupling Shaft - Rear	1
12	D355 4866	Ball Bearing:Slide:DIA6	1
13	B834 3111	Side Fence Shaft - Lower	2
14	B834 3309	Side Fence Bracket - Lower Rear	1
15	D355 3306	Bracket:Side Fence:Lower Front	1
16	D453 4598	Bracket:Paper Volume Sensor	1
17	B834 4027	Positioning Pin Bracket	1
18	6754 2866	Roller - Positioning Guide	2
19	D453 3439	Drum Stay:Paper Feed:Upper	1
20	B234 2390	Flanged Hexagonal Head Bolt:M4x8	2
21	D453 1335	Decal:TCRU	2
22	AW02 0160	Paper Feed Sensor	4

Index No.	Part No.	Description	Q'ty Per Assembly
101	0451 4008N	Tapping Screw:4x8	
102	0453 3006N	Tapping Screw - M3x6	
103	0453 4006N	Binding Self Tapping Screw:4x6	
104	0454 4008Q	Tapping Screw - M4x8	
105	0720 0080E	Retaining Ring - M8	
106	0720 0040E	Retaining Ring - M4	
107	0720 0030E	Retaining Ring - M3	
108	0725 0120E	Retaining Ring C - M12	
109	1105 0522	Edge Saddle - LES0510	
110	1105 0511	Harness Clamp - LWS-0306ZC	

7.Tray 4/6 Unit 6 (D453)

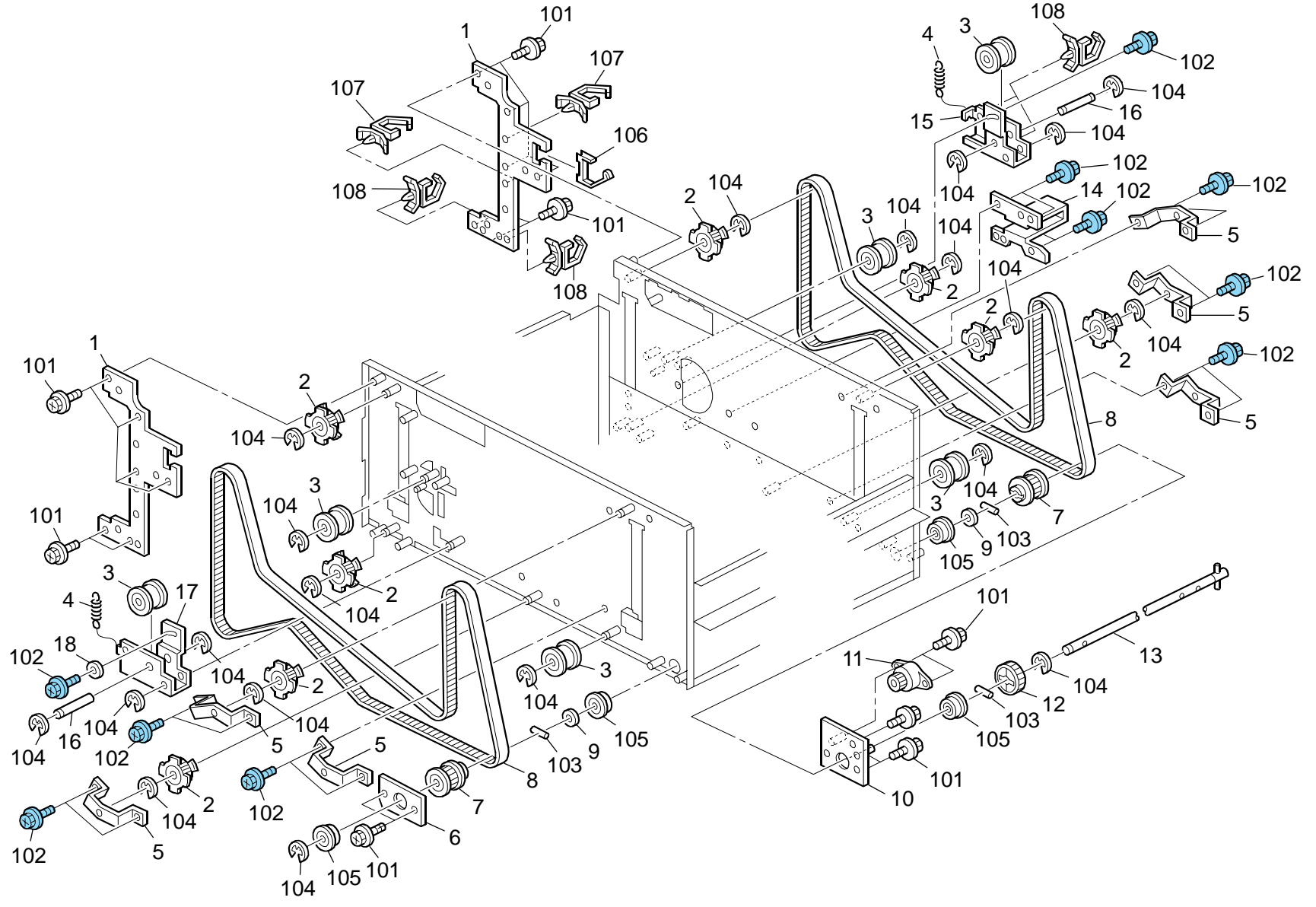


7.Tray 4/6 Unit 6 (D453)

Index No.	Part No.	Description	Q'ty Per Assembly
1	D355 4593	Rack:Base:End Fence	2
2	B834 3065	Slide Rail - End Fence	1
3	B834 4595	Contact Point Shaft - Long	1
4	D355 3168	Bracket:Paper Size Sensor:Long	1
5	G052 1518	Spring - Lock Lever	1
6	AW02 0160	Paper Feed Sensor	1
7	D453 4587	Stay:End Fence	2
8	D453 4591	Shielding Plate:Paper Size Sensor:Short	1
9	D355 3169	Plate:Paper Size Sensor	1
10	A294 4156	Gear - 23Z	1
11	H085 1109	Bushing - M6x5	2
12	D453 4597	Shaft:End Fence:Coupling	1
13	D453 4582	Bracket:End Fence	1
14	A228 3613	Gear - 20Z	1
15	D355 4598	Roller:Slider	1
16	D453 4581	Flat Screw:M4x4	2
17	D453 4881	Bracket:Drawer:Connector	1
18	D453 5328	Harness:Connecting:Tray:F1F3:Ass'y	1

Index No.	Part No.	Description	Q'ty Per Assembly
101	0454 4008Q	Tapping Screw - M4x8	
102	0451 4008N	Tapping Screw:4x8	
103	0453 4006N	Binding Self Tapping Screw:4x6	
104	0360 3008N	Screw:M3x8	
105	0720 0040E	Retaining Ring - M4	
106	1105 0516	Clamp	
107	0454 4006Q	Tapping Screw:4x6	

8.Tray 4/6 Unit 7 (D453)

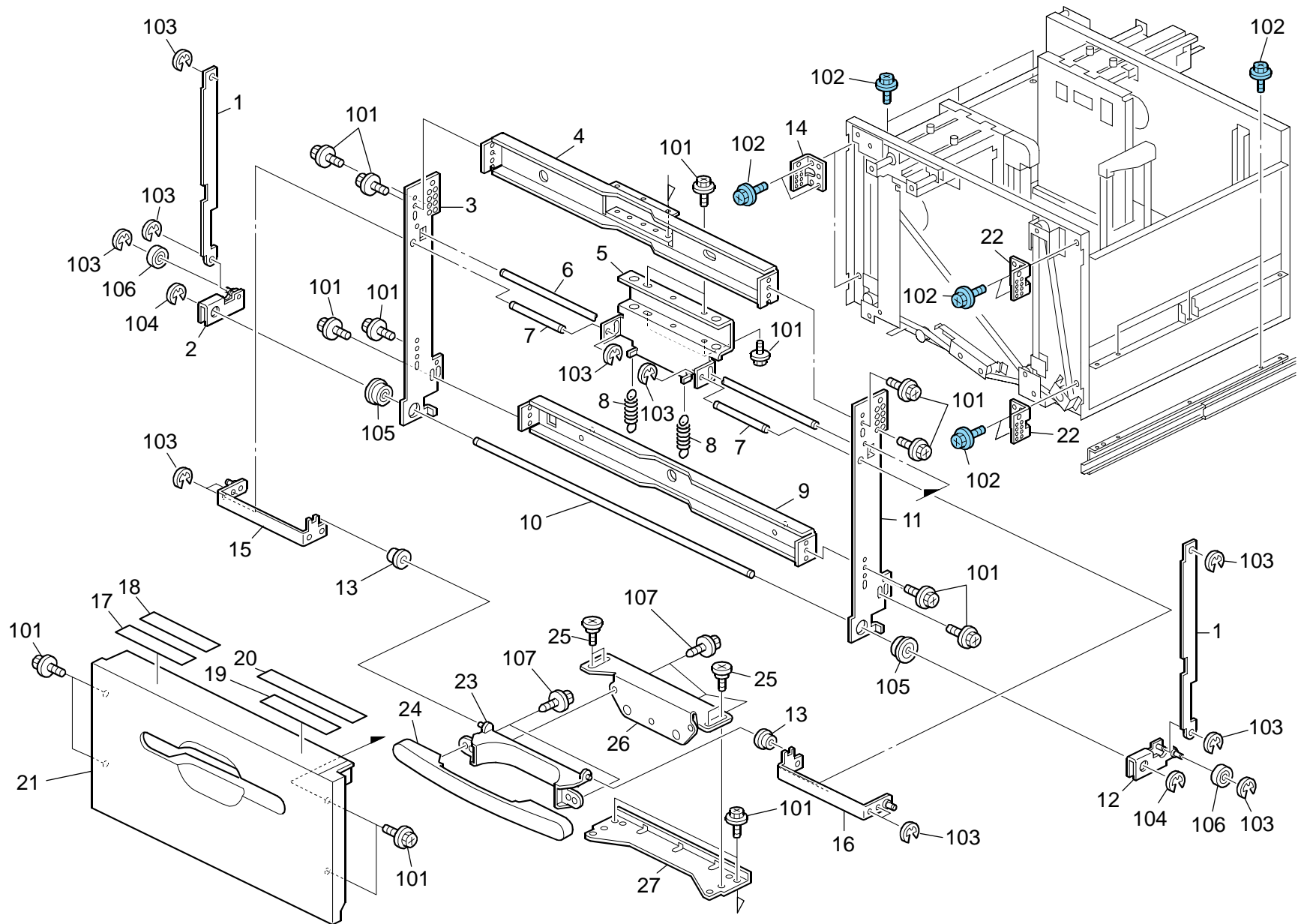


8.Tray 4/6 Unit 7 (D453)

Index No.	Part No.	Description	Q'ty Per Assembly
1	B834 4053	Plate	2
2	B834 4049	Idler Pulley	8
3	B834 4054	Tensioner	6
4	G417 3374	Tension Spring:Pulley:Idler	2
5	B834 3422	Idler Bracket - Lower Front	6
6	B834 4043	Bearing Plate - Front	1
7	AB03 0548	Pulley - 16T	2
8	B834 3402	Timing Belt - B100S5M1605	2
9	AA13 2142	Spacer - M8	2
10	B834 4046	Bearing Plate - Rear	1
11	B834 3424	Oil Damper:0.5kgf cm:No.1	1
12	AB01 4140	Gear - 24Z	1
13	B834 4041	Drive Shaft	1
14	B834 4872	Pressure Roller Bracket	1
15	D453 4055	Bracket:Tension:Rear:No.1	1
16	B834 4056	Tension Stud	2
17	B834 3423	Tension Bracket - Front	1
18	D002 5998	Washer:DIA4.5:DIA10	1

Index No.	Part No.	Description	Q'ty Per Assembly
101	0451 4008N	Tapping Screw:4x8	
102	0454 4008Q	Tapping Screw - M4x8	
103	0633 0140G	Parallel Pin - 3x14	
104	0720 0060E	Retaining Ring - M6	
105	0742 3808	Ball Bearing - 8x16x5	
106	1105 0518	Edge Saddle - LES-1010	
107	1105 0487	Harness Clamp	
108	1105 0511	Harness Clamp - LWS-0306ZC	

9.Tray 5 Unit 1 (D453)

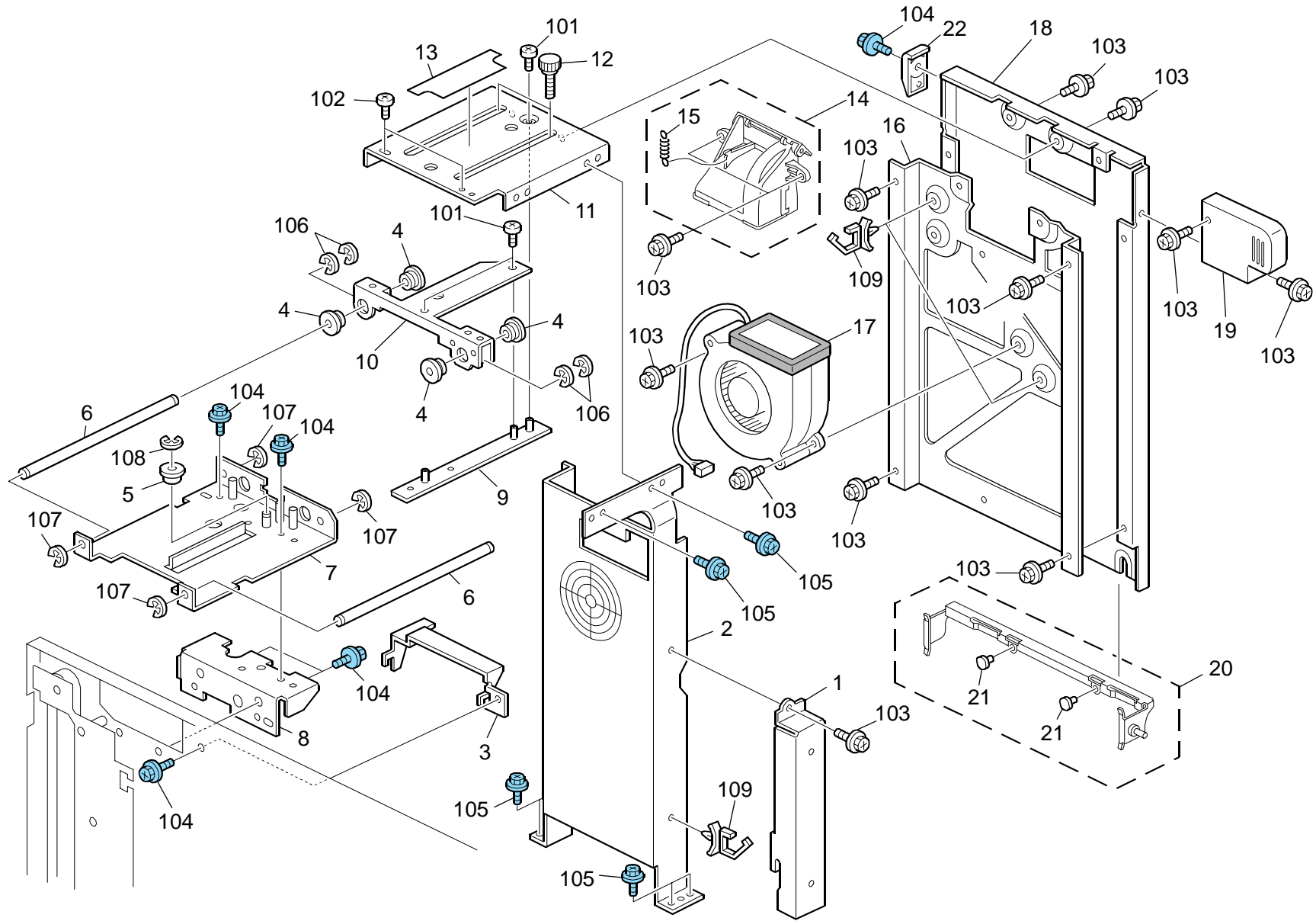


9.Tray 5 Unit 1 (D453)

Index No.	Part No.	Description	Q'ty Per Assembly
1	B834 3386	Link Handle	2
2	D453 3400	Guide:Stopper:Left	1
3	B834 3395	Plate - Left	1
4	B834 3283	Stay:Main	1
5	D453 3475	Bracket:Main	1
6	B834 3438	Link Shaft	1
7	B834 3384	Contact Point Shaft	2
8	H516 3666	Spring - 19.6mm	2
9	B834 3378	Stay	1
10	D453 4449	Shaft:Link:Pierce	1
11	B834 3396	Plate - Right	1
12	D453 3425	Guide:Stopper:Right	1
13	B834 3312	Collar	2
14	B834 4892	Registration Side Plate - Left	2
15	B834 3379	Arm:Swivel:Left:Peen	1
16	B834 3385	Arm - Right	1
17	D350 1313	Decal:Paper:Supply:Left	1
18	D453 1323	Decal:Side Fence:Postcard:1	1
19	D350 1312	Decal:Paper:Supply:Right	1
20	D453 1324	Decal:Side Fence:Postcard:2	1
21	D453 1382	Cover:Paper Tray:Middle	1
22	B834 4891	Registration Side Plate - Right	2
23	D453 1389	Grip:Paper Tray:Rear	1
24	D453 1384	Grip:Paper Tray:Front	1
25	AA14 3852	Screw	4
26	D453 2751	Plate:Grip:Joint	1
27	B834 3376	Plate:Handle	1

Index No.	Part No.	Description	Q'ty Per Assembly
101	0451 4008N	Tapping Screw:4x8	
102	0454 4008Q	Tapping Screw - M4x8	
103	0720 0040E	Retaining Ring - M4	
104	0720 0060E	Retaining Ring - M6	
105	0742 3808	Ball Bearing - 8x16x5	
106	0740 3506	Ball Bearing - 6x12x4 mm	
107	0450 4008N	Tapping Screw - M4x8	

10.Tray 5 Unit 2 (D453)

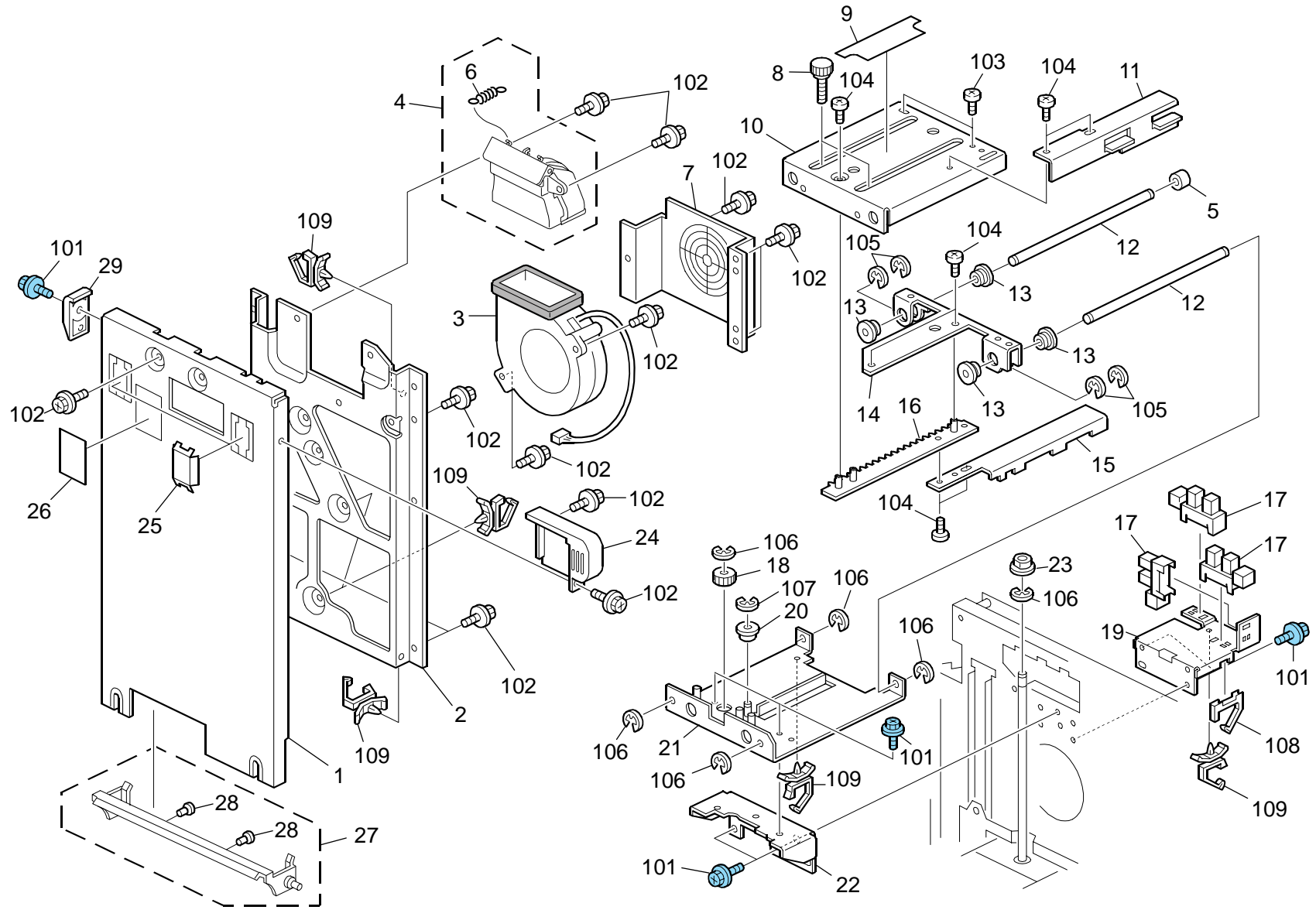


10.Tray 5 Unit 2 (D453)

Index No.	Part No.	Description	Q'ty Per Assembly
1	D355 3462	Cover:Blower:Harness	1
2	D355 3459	Guard:Blower:Front	1
3	D350 4517	Guard:Tray:Side Fence	1
4	B834 3350	Bushing - 6x10x6.5	4
5	B834 3312	Collar	1
6	B834 3368	Slide Shaft - Upper	2
7	B834 3323	Holder - :Upper Front	1
8	B834 3353	Bracket:Upper Front:Side Fence	1
9	D350 3339	Rack:Upper Front:Peen	1
10	B834 3332	Guide - Upper Front	1
11	B834 3355	Cover:Upper Front	1
12	B832 2877	Knob Screw:Tray:Guide:Green	2
13	D355 1394	Decal:Side Fence:Scale:Front	1
14	D355 3365	Duct:Upper Front:Blower:Ass'y	1
15	AA06 0858	DC Solenoid Spring	1
16	D355 4652	Supporting Plate:Side Fence:Front	1
17	D355 5515	Blower:Fan:DC24V 18.24W	1
18	D355 4656	Side Fence:Front	1
19	B834 4153	Side Fence Grip	1
20	D355 4630	Tray Bottom Plate - Support	1
21	D355 4608	Spacer:Side Fence:Push Rivet	2
22	D355 4654	Cover:Side Fence	1

Index No.	Part No.	Description	Q'ty Per Assembly
101	0453 3006N	Tapping Screw - M3x6	
102	0453 4006N	Binding Self Tapping Screw:4x6	
103	0451 4008N	Tapping Screw:4x8	
104	0454 4008Q	Tapping Screw - M4x8	
105	0454 4006Q	Tapping Screw:4x6	
106	0720 0080E	Retaining Ring - M8	
107	0720 0040E	Retaining Ring - M4	
108	0720 0030E	Retaining Ring - M3	
109	1105 0511	Harness Clamp - LWS-0306ZC	

11.Tray 5 Unit 3 (D453)

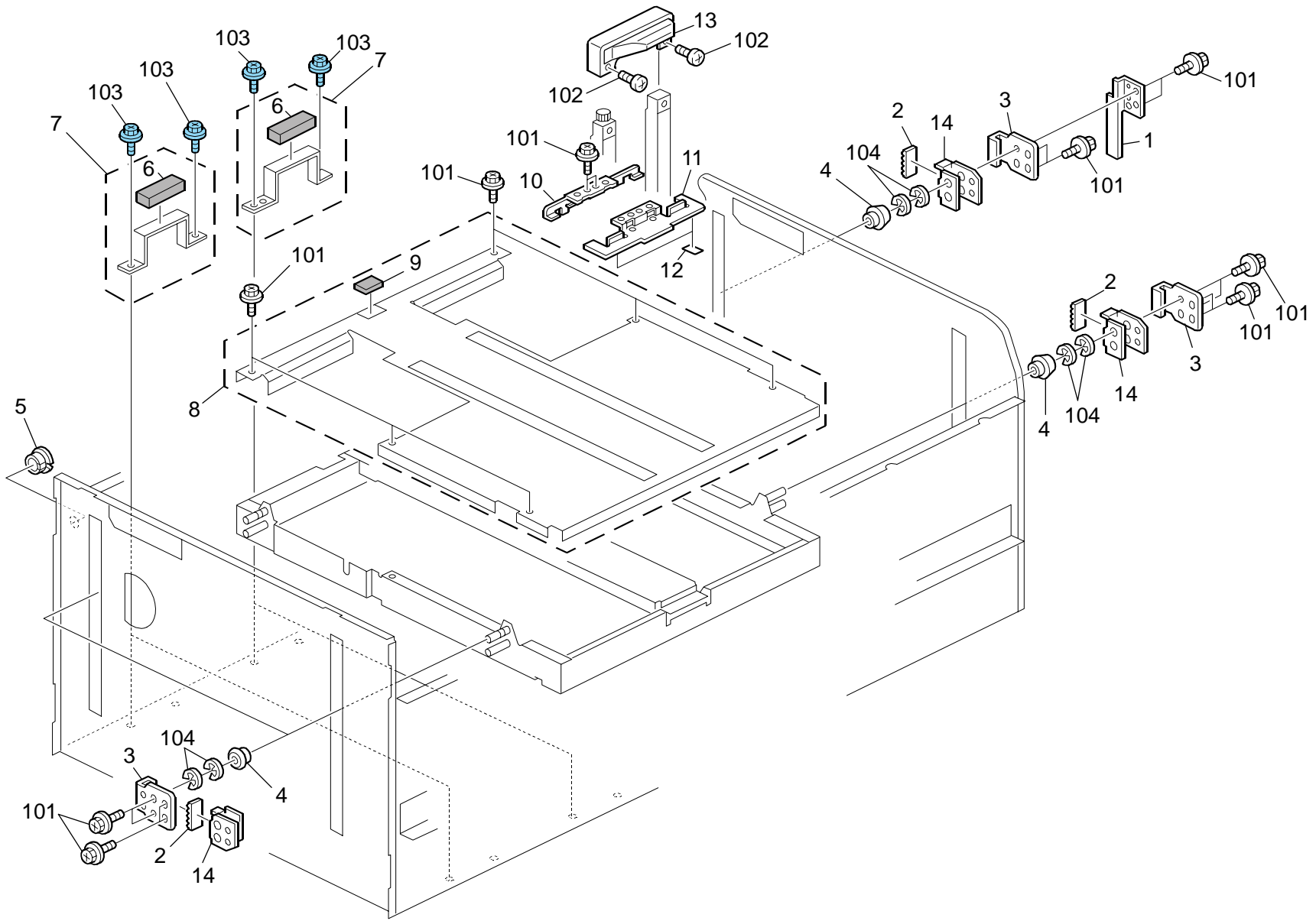


11.Tray 5 Unit 3 (D453)

Index No.	Part No.	Description	Q'ty Per Assembly
1	D355 4665	Side Fence:Rear	1
2	D355 4662	Supporting Plate:Side Fence:Rear	1
3	D355 5515	Blower:Fan:DC24V 18.24W	1
4	D355 3375	Duct:Upper Rear:Blower:Ass'y	1
5	C236 3237	Collar 6x11.2x1.5	1
6	AA06 0858	DC Solenoid Spring	1
7	D355 3461	Guard:Blower:Rear	1
8	B832 2877	Knob Screw:Tray:Guide:Green	2
9	D355 1395	Decal:Side Fence:Scale:Rear	1
10	B834 3356	Cover:Upper Rear	1
11	B834 4743	Feeler - Paper Size Sensor No.2	1
12	B834 3368	Slide Shaft - Upper	2
13	B834 3350	Bushing - 6x10x6.5	4
14	B834 3334	Guide - Upper Rear	1
15	B834 4742	Feeler - Paper Size Sensor No.1	1
16	B834 3349	Rack - Upper Rear	1
17	AW02 0160	Paper Feed Sensor	3
18	B834 3316	Gear - 13Z	1
19	B834 4741	Paper Size Sensor Bracket	1
20	B834 3312	Collar	1
21	B834 3329	Holder - Upper Rear	1
22	B834 3354	Bracket:Upper Rear:Side Fence	1
23	AA08 2101	Bushing - 6x10x6	1
24	B834 4163	Side Fence Grip - Rear	1
25	D453 2777	Plate:Auxiliary:Small:Adhesion	2
26	D355 2674	Decal - Paper Volume	1
27	D355 4630	Tray Bottom Plate - Support	1
28	D355 4608	Spacer:Side Fence:Push Rivet	2
29	D355 4654	Cover:Side Fence	1

Index No.	Part No.	Description	Q'ty Per Assembly
101	0454 4008Q	Tapping Screw - M4x8	
102	0451 4008N	Tapping Screw:4x8	
103	0453 4006N	Binding Self Tapping Screw:4x6	
104	0453 3006N	Tapping Screw - M3x6	
105	0720 0080E	Retaining Ring - M8	
106	0720 0040E	Retaining Ring - M4	
107	0720 0030E	Retaining Ring - M3	
108	1105 0522	Edge Saddle - LES0510	
109	1105 0511	Harness Clamp - LWS-0306ZC	

12.Tray 5 Unit 4 (D453)

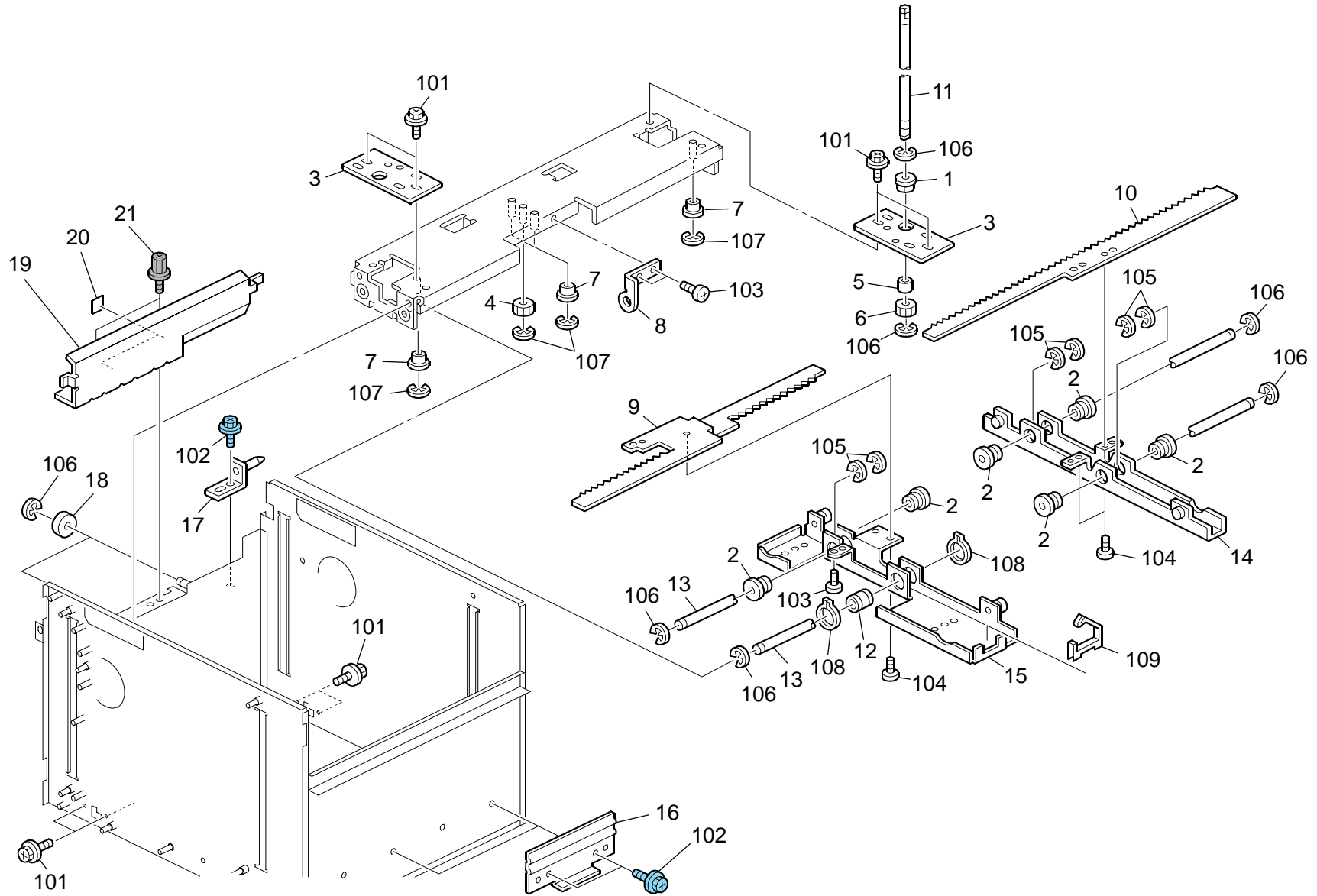


12.Tray 5 Unit 4 (D453)

Index No.	Part No.	Description	Q'ty Per Assembly
1	D355 4568	Feeler:Paper Volume Sensor	1
2	C563 3116	Belt Joint	4
3	D355 3232	Bracket:Timing Belt:Rear	4
4	A335 4351	Guide Roller	4
5	B234 6141	Positioning Sleeve - Inner Back	1
6	B834 4032	Cushion:Tray:No.1	4
7	B834 2715	Tray Cushion Holder	4
8	D355 4620	Tray Bottom Plate:Adhesion	1
9	5201 2858	Friction Pad	1
10	D355 4579	Guide:End Fence:Left	1
11	D355 4578	Guide:End Fence:Right	1
12	B834 3490	Spacer - Side Fence	2
13	D355 4591	Grip:End Fence:Ass'y	1
14	B834 3231	Timing Belt Holder - Rear	4

Index No.	Part No.	Description	Q'ty Per Assembly
101	0451 4008N	Tapping Screw:4x8	
102	0453 4006N	Binding Self Tapping Screw:4x6	
103	0454 4006Q	Tapping Screw:4x6	
104	0720 0060E	Retaining Ring - M6	

13.Tray 5 Unit 5 (D453)

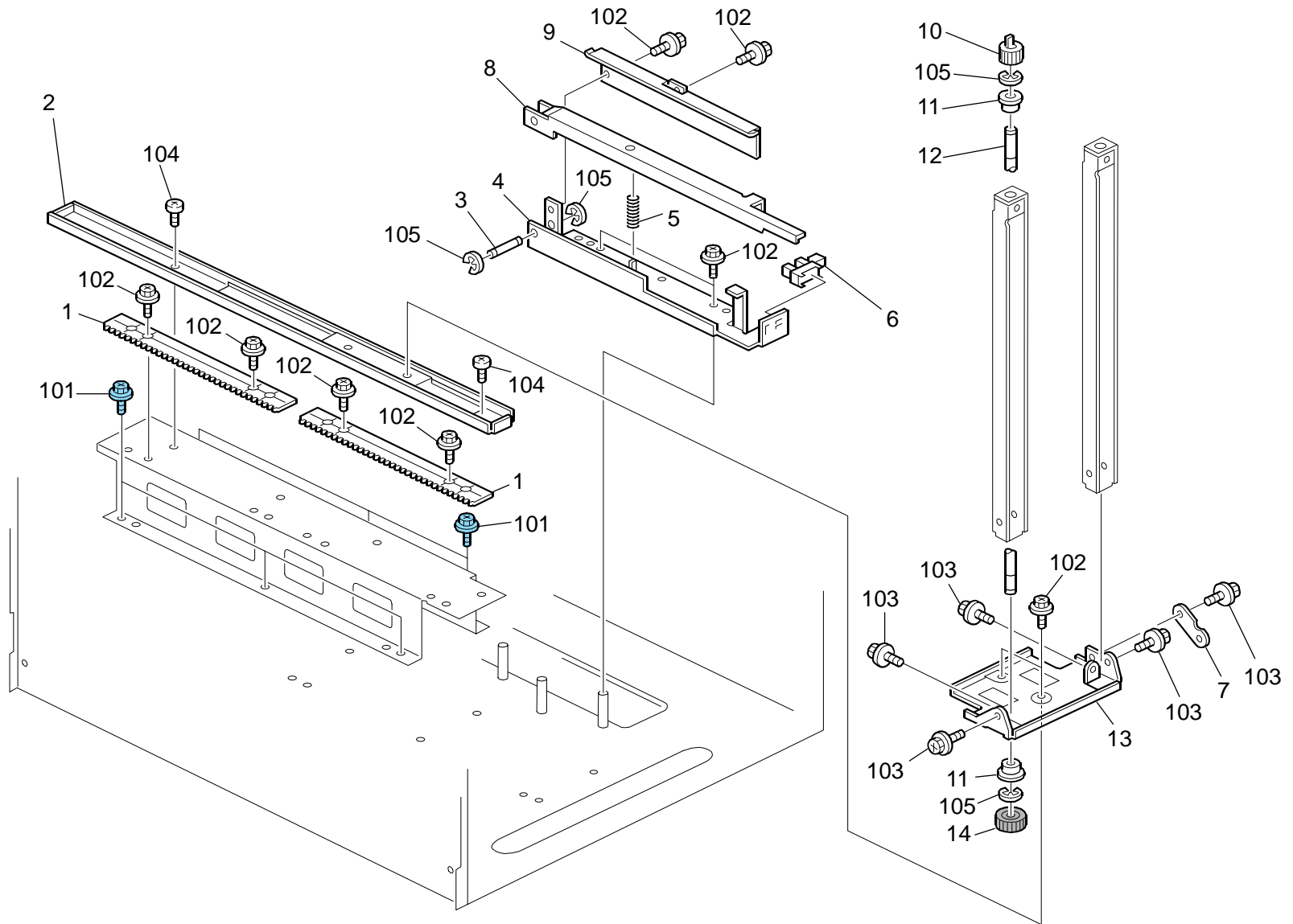


13.Tray 5 Unit 5 (D453)

Index No.	Part No.	Description	Q'ty Per Assembly
1	AA08 2101	Bushing - 6x10x6	1
2	B834 3350	Bushing - 6x10x6.5	6
3	B834 3318	Plate:Lower	2
4	B834 3315	Gear - 13Z	1
5	A376 1295	Spacer - M6x10x5	1
6	B834 3316	Gear - 13Z	1
7	B834 3312	Collar	4
8	B834 3314	Shaft Holder - Lower	1
9	B834 3313	Rack - Front:Lower	1
10	B834 4696	Rack - Rear Lower	1
11	B834 3346	Coupling Shaft - Rear	1
12	D355 4866	Ball Bearing:Slide:DIA6	1
13	B834 3111	Side Fence Shaft - Lower	2
14	B834 3309	Side Fence Bracket - Lower Rear	1
15	D355 3306	Bracket:Side Fence:Lower Front	1
16	B834 4533	Grip:Frame:Paper Tray	2
17	B834 4027	Positioning Pin Bracket	1
18	6754 2866	Roller - Positioning Guide	2
19	D453 3439	Drum Stay:Paper Feed:Upper	1
20	D453 1335	Decal:TCRU	2
21	B234 2390	Flanged Hexagonal Head Bolt:M4x8	2

Index No.	Part No.	Description	Q'ty Per Assembly
101	0451 4008N	Tapping Screw:4x8	
102	0454 4008Q	Tapping Screw - M4x8	
103	0453 3006N	Tapping Screw - M3x6	
104	0453 4006N	Binding Self Tapping Screw:4x6	
105	0720 0080E	Retaining Ring - M8	
106	0720 0040E	Retaining Ring - M4	
107	0720 0030E	Retaining Ring - M3	
108	0725 0120E	Retaining Ring C - M12	
109	1105 0522	Edge Saddle - LES0510	

14.Tray 5 Unit 6 (D453)

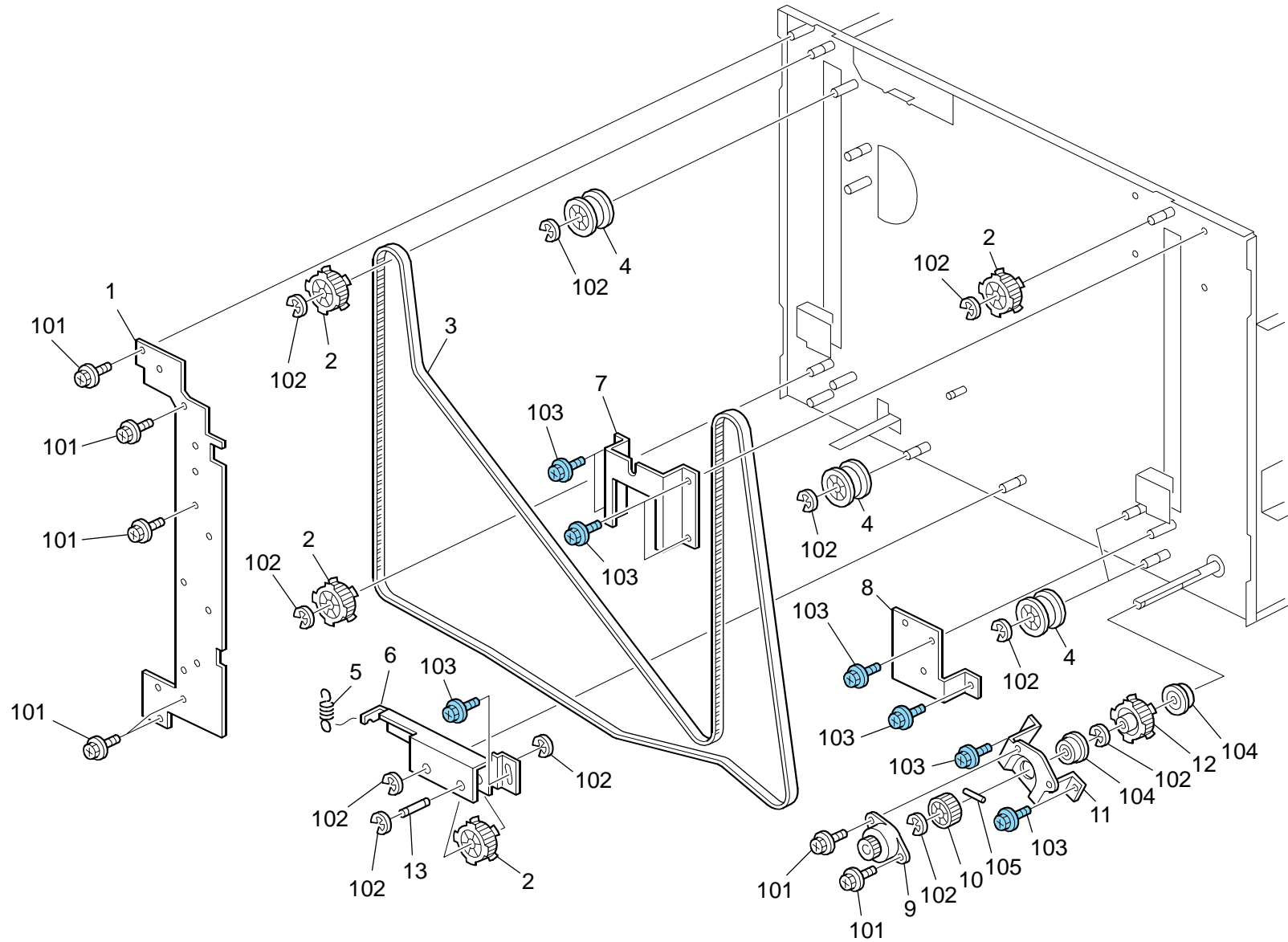


14.Tray 5 Unit 6 (D453)

Index No.	Part No.	Description	Q'ty Per Assembly
1	D355 4593	Rack:Base:End Fence	2
2	B834 3065	Slide Rail - End Fence	1
3	B834 4595	Contact Point Shaft - Long	1
4	D355 3168	Bracket:Paper Size Sensor:Long	1
5	G052 1518	Spring - Lock Lever	1
6	AW02 0160	Paper Feed Sensor	1
7	D355 4565	Bracket:Paper Size Sensor:Roller:Peen	1
8	B834 4594	Shielding Plate - Long	1
9	D355 3169	Plate:Paper Size Sensor	1
10	A294 4156	Gear - 23Z	1
11	H085 1109	Bushing - M6x5	2
12	D355 4597	Shaft:End Fence:Coupling	1
13	D355 4587	Bracket:End Fence	1
14	A228 3613	Gear - 20Z	1

Index No.	Part No.	Description	Q'ty Per Assembly
101	0454 4006Q	Tapping Screw:4x6	
102	0451 4008N	Tapping Screw:4x8	
103	0451 4006N	Tapping Screw - 4x6	
104	0453 4006N	Binding Self Tapping Screw:4x6	
105	0720 0040E	Retaining Ring - M4	

15.Tray 5 Unit 7 (D453)

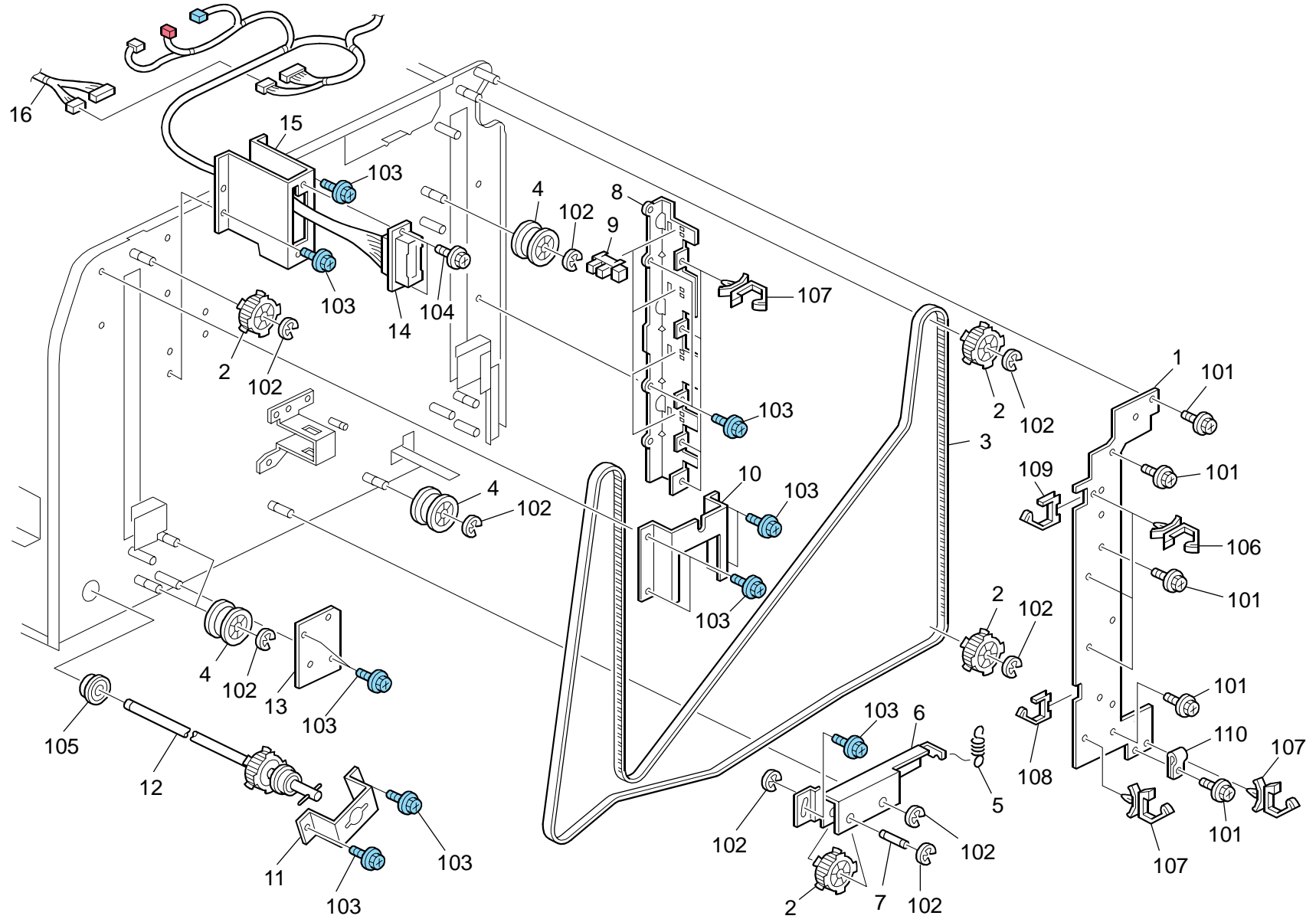


15.Tray 5 Unit 7 (D453)

Index No.	Part No.	Description	Q'ty Per Assembly
1	B834 4563	Plate	1
2	B834 4557	Timing Pulley:Drive:No.2:Ass'y	4
3	B834 4572	Timing Belt - B100S5M2000	1
4	B834 4559	Tensioner	4
5	AA06 0840	Pressure Spring - 29N	1
6	B834 3245	Tension Bracket No.2 - Front	1
7	B834 3237	Bracket - Front	1
8	B834 4564	Holder - Front	1
9	B834 3493	Oil Damper:0.2N	1
10	D355 4140	Gear - 24Z	1
11	D355 4564	Bracket:Drive:Front Lower	1
12	B834 4565	Timing Pulley - 20T	1
13	B834 4568	Stud	1

Index No.	Part No.	Description	Q'ty Per Assembly
101	0451 4008N	Tapping Screw:4x8	
102	0720 0060E	Retaining Ring - M6	
103	0454 4008Q	Tapping Screw - M4x8	
104	0742 3808	Ball Bearing - 8x16x5	
105	0633 0140G	Parallel Pin - 3x14	

16.Tray 5 Unit 8 (D453)

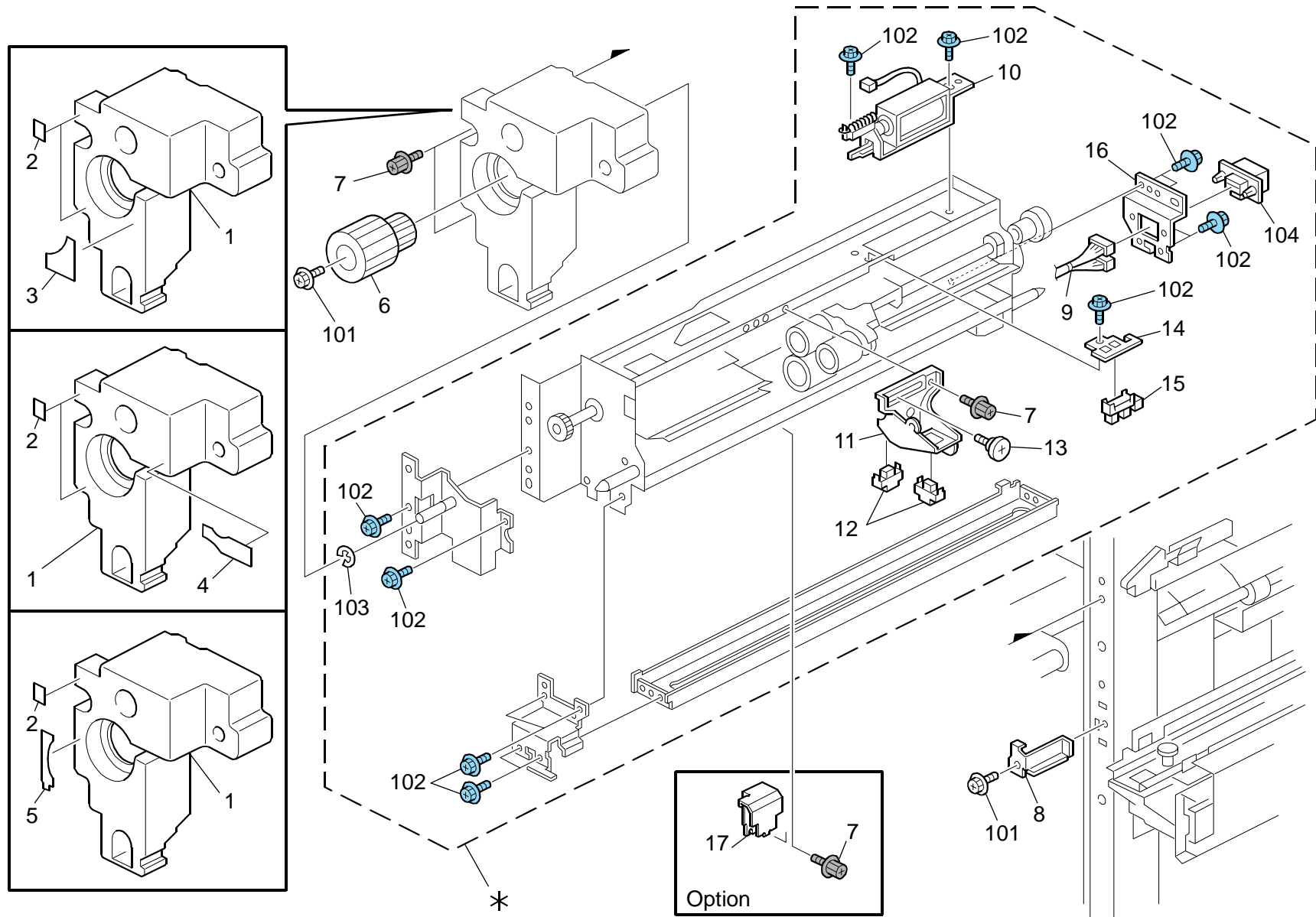


16.Tray 5 Unit 8 (D453)

Index No.	Part No.	Description	Q'ty Per Assembly
1	B834 4563	Plate	1
2	B834 4557	Timing Pulley:Drive:No.2:Ass'y	4
3	B834 4572	Timing Belt - B100S5M2000	1
4	B834 4559	Tensioner	4
5	AA06 0840	Pressure Spring - 29N	1
6	B834 4566	Tension Bracket No.2 - Rear	1
7	B834 4568	Stud	1
8	D355 4556	Bracket:Paper Volume Sensor	1
9	AW02 0160	Paper Feed Sensor	4
10	B834 3248	Bracket - Rear	1
11	D355 4563	Drive Bracket - Rear Lower	1
12	D355 4531	Shaft:Main:Drive	1
13	D355 4534	Holder:Driven:Rear	1
14	D453 5324	Harness:Connecting:Tray:F2	1
15	D453 4881	Bracket:Drawer:Connector	1
16	D355 5316	Harness:Fan	1

Index No.	Part No.	Description	Q'ty Per Assembly
101	0451 4008N	Tapping Screw:4x8	
102	0720 0060E	Retaining Ring - M6	
103	0454 4008Q	Tapping Screw - M4x8	
104	0360 3008N	Screw:M3x8	
105	0742 3808	Ball Bearing - 8x16x5	
106	1105 0487	Harness Clamp	
107	1105 0511	Harness Clamp - LWS-0306ZC	
108	1105 0522	Edge Saddle - LES0510	
109	1105 0518	Edge Saddle - LES-1010	
110	1105 0008	Nylon Clamp - 2N	

17. Paper Feed Unit 1 (D453)

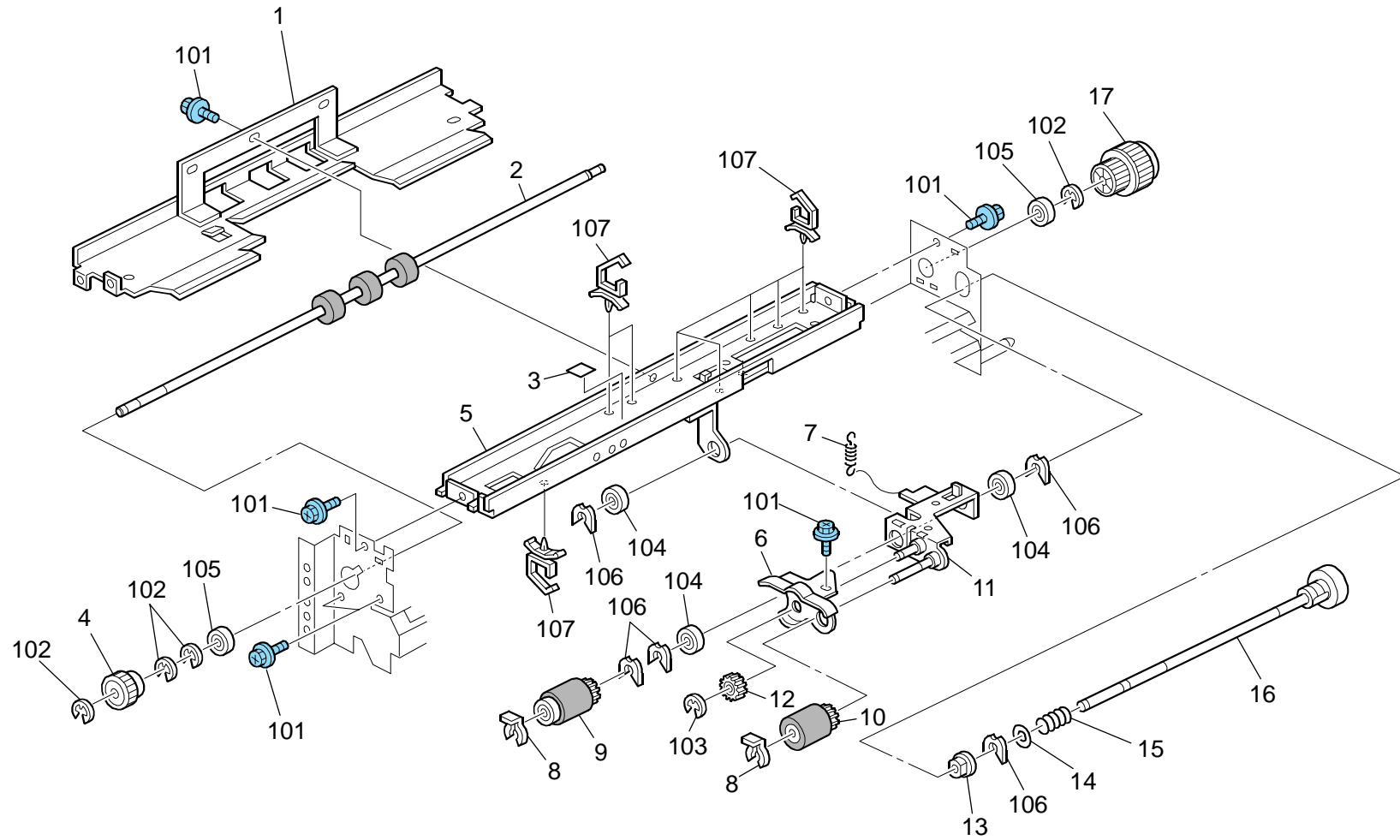


17.Paper Feed Unit 1 (D453)

Index No.	Part No.	Description	Q'ty Per Assembly
*	D453 2500	Paper Feed Unit:Ass'y	3
1	D453 1388	Inner Cover:Paper Feed Unit	3
2	D453 1335	Decal:TCRU	5
3	D453 1316	Decal:Knob:Rotation Direction:U2	1
4	D453 1318	Decal:Knob:Rotation Direction:U4	1
5	D453 1321	Decal:Knob:Rotation Direction:U6	1
6	AG05 0067	Knob - Transport Roller	3
7	B234 2390	Flanged Hexagonal Head Bolt:M4x8	12
8	D453 1079	Stopper:Paper Feed Unit	3
9	D453 5312	Harness:Paper Feed Unit	1
10	B832 2578	DC Solenoid 24V	1
11	D453 2577	Bracket:Sensor:Paper Feed	1
12	AW01 0122	Paper Feed Sensor	1
13	AA14 3812	Screw - Scale	1
14	B511 2677	Sensor Bracket	1
15	AW02 0145	Photointerruptor:Flat	1
16	D453 2612	Bracket:Side Plate:Rear:Paper Feed Unit	1
17	D453 2552	Guide Plate:Reverse	1

Index No.	Part No.	Description	Q'ty Per Assembly
101	0451 4008N	Tapping Screw:4x8	
102	0454 4008Q	Tapping Screw - M4x8	
103	0720 0060E	Retaining Ring - M6	
104	1102 9785	Connector:55949-1819	

18. Paper Feed Unit 2 (D453)

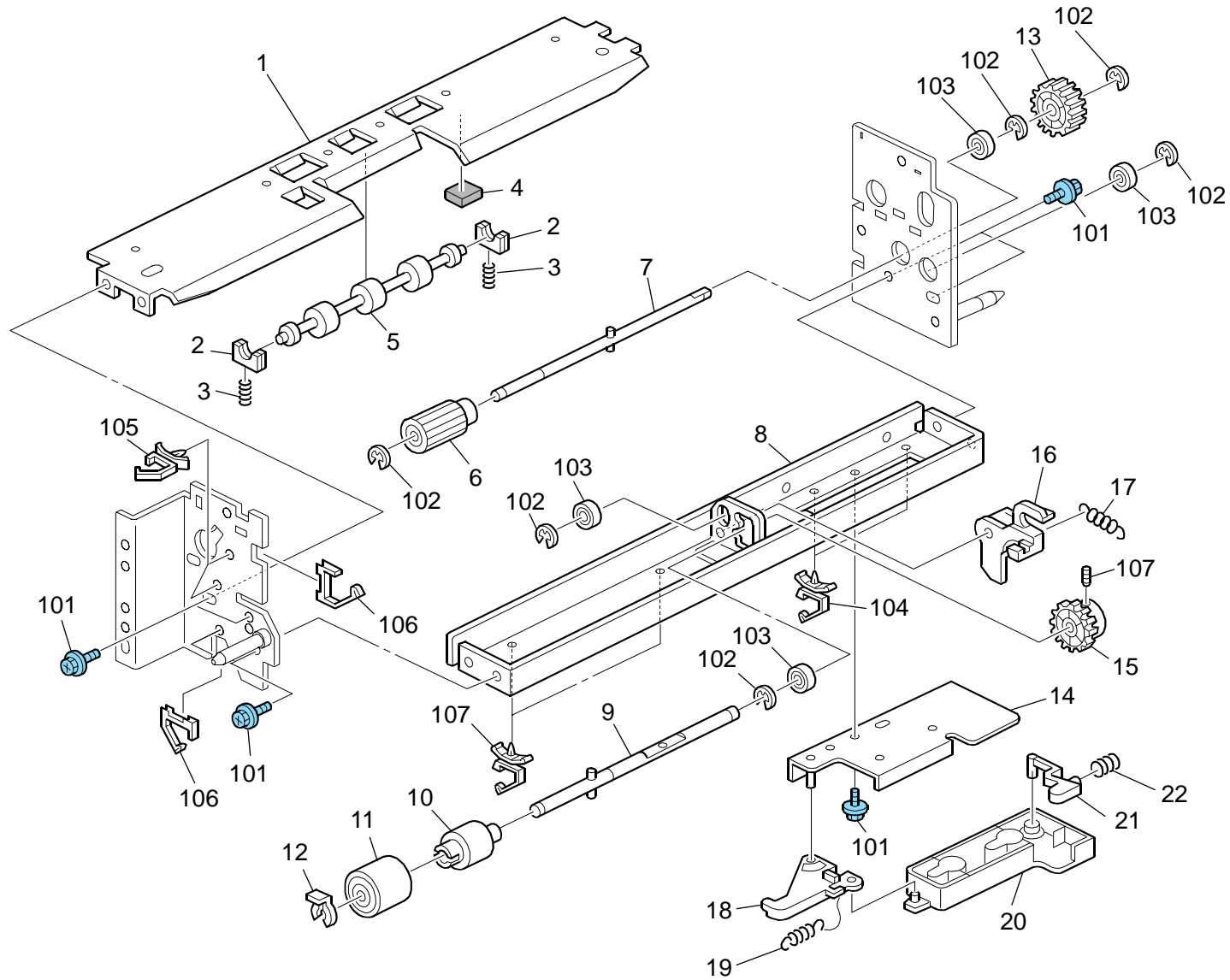


18.Paper Feed Unit 2 (D453)

Index No.	Part No.	Description	Q'ty Per Assembly
1	B834 2520	Feed Guide Plate	1
2	AF02 1410	Transport Roller	1
3	D453 1335	Decal:TCRU	1
4	AB01 1478	Gear - 18Z	1
5	B832 2569	Stay:Feed:Peen	1
6	D452 2573	Cover:Paper Feed Roller	1
7	AA06 6677	Tension Spring	1
8	D059 2620	Retaining Rings-C	2
9	AF03 1081	Paper Feed Roller:Feed:Manual Feed	1
10	AF03 0080	Paper Feed Roller:Pickup	1
11	D452 2574	Arm:Pickup	1
12	5447 2706	Gear - 15T	1
13	AA08 3015	Roller Clutch	1
14	B132 4119	Spacer:Gear:Idler	1
15	AA06 3204	Compression Spring	1
16	D453 2585	Shaft:Feed Roller:Ass'y	1
17	AB01 7724	Gear - 23Z/28Z	1

Index No.	Part No.	Description	Q'ty Per Assembly
101	0454 4008Q	Tapping Screw - M4x8	
102	0720 0060E	Retaining Ring - M6	
103	0720 0040E	Retaining Ring - M4	
104	0741 3708	Ball Bearing - 8x12x3.5mm	
105	0742 3808	Ball Bearing - 8x16x5	
106	0805 0088	Retaining Ring - M6	
107	1105 0511	Harness Clamp - LWS-0306ZC	

19.Paper Feed Unit 3 (D453)

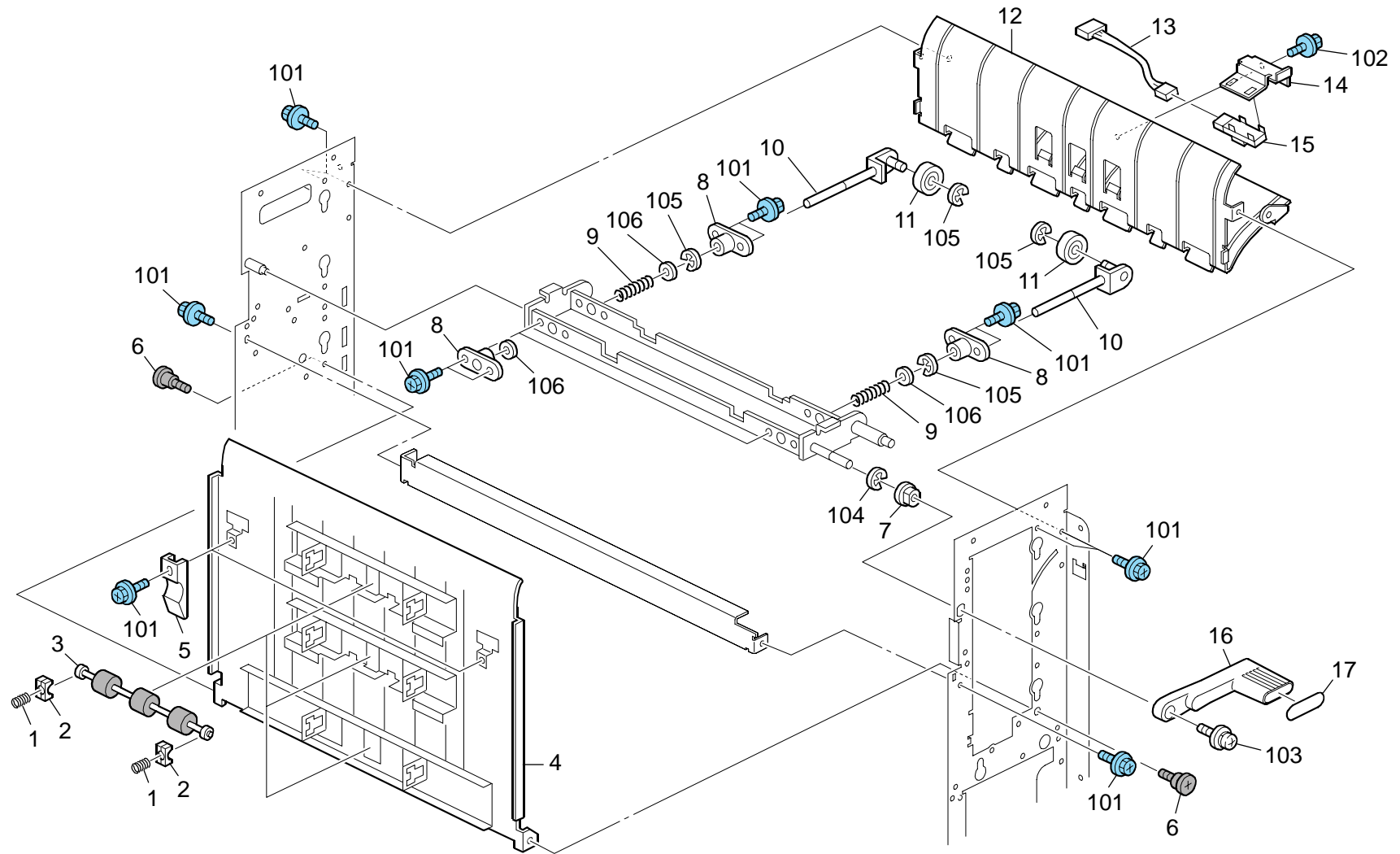


19.Paper Feed Unit 3 (D453)

Index No.	Part No.	Description	Q'ty Per Assembly
1	B832 2535	Reverse Guide Plate	1
2	AA08 4059	Ball Bearing Holder	2
3	B833 2565	Compression Spring	2
4	A229 2692	Damping Insulation	1
5	B834 2568	Transport Roller - Driven	1
6	AB01 1392	Drive Reverse Gear - 24Z	1
7	B234 6222	Reverse Drive Shaft	1
8	B832 2541	Stay	1
9	B234 6223	Driven Reverse Shaft	1
10	B234 6301	Torque Limiter:75mN m	1
11	AF03 2080	Paper Feed Roller:Separate	1
12	D059 2620	Retaining Rings-C	1
13	BB01 3008	Gear - 31Z	1
14	D355 2551	Bracket:Reverse:Release	1
15	AB01 1591	Gear:Reverse	1
16	B303 2556	Reverse Pressure Lever	1
17	B833 2567	Tension Spring	1
18	B303 2559	Lever:Pressure Release:Reverse	1
19	D355 2559	Tension Spring:Reverse	1
20	D355 2554	Hook:Reverse:Pressure	1
21	D355 2556	Lever:Reverse:Pressure:Swivel	1
22	D355 2563	Compression Spring:Reverse: Pressure:Auxiliary	1

Index No.	Part No.	Description	Q'ty Per Assembly
101	0454 4008Q	Tapping Screw - M4x8	
102	0720 0040E	Retaining Ring - M4	
103	0741 3506	Ball Bearing - 6x12x4 mm	
104	1105 0534	Clamp	
105	1105 0511	Harness Clamp - LWS-0306ZC	
106	1105 0522	Edge Saddle - LES0510	
107	0573 0030E	Hexagon Headless Set Screw - M3x3	

20.Paper Transfer 1 (D453)

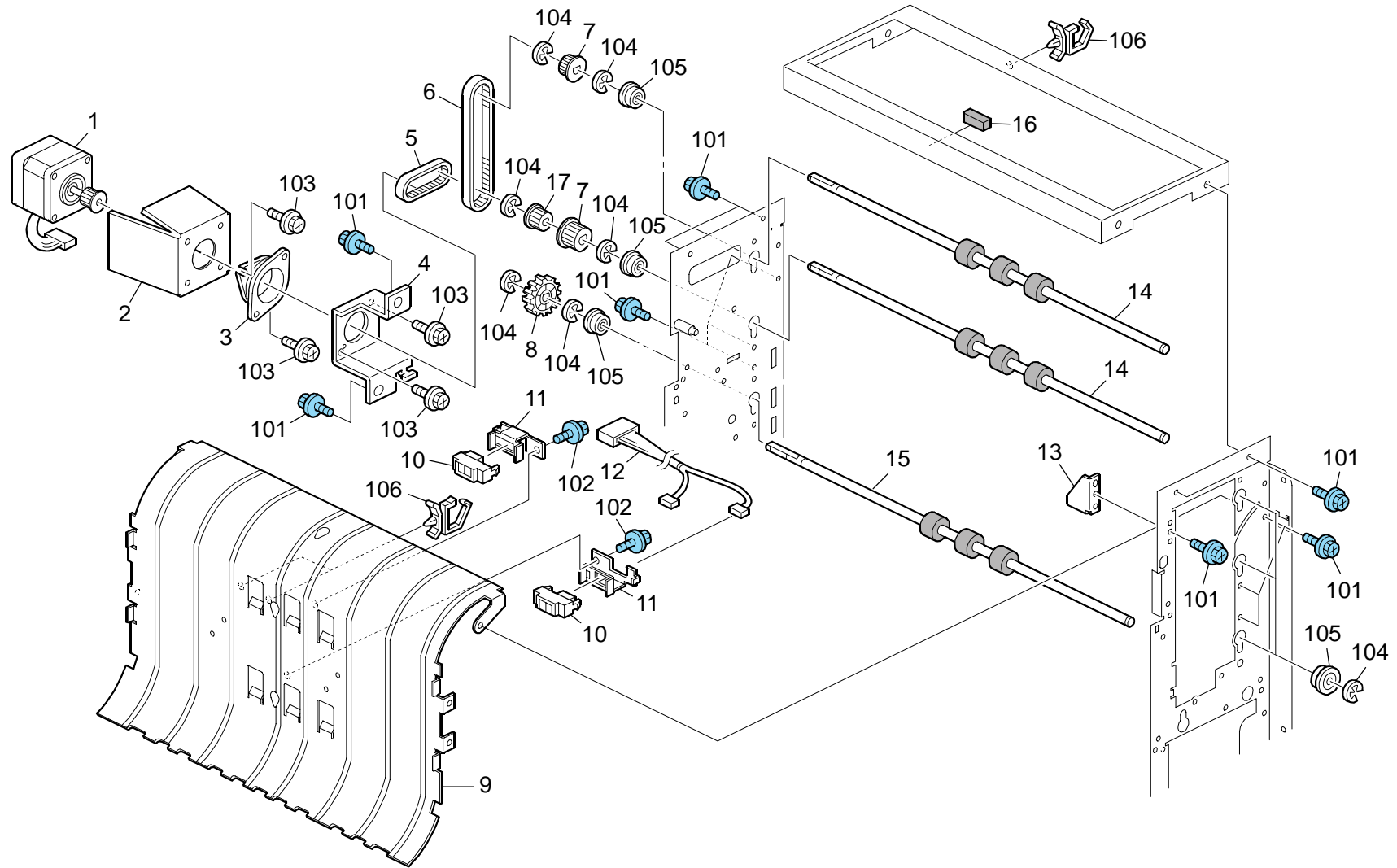


20.Paper Transfer 1 (D453)

Index No.	Part No.	Description	Q'ty Per Assembly
1	AA06 6675	Compression Spring	6
2	AA08 4059	Ball Bearing Holder	6
3	B834 2568	Transport Roller - Driven	3
4	D453 3620	Guide Plate:Upper	1
5	D355 3828	Holder:Stay:Guide Plate	2
6	D355 3897	Screw:M4:3M	2
7	AA08 2070	Bushing - 8x16x7	1
8	D355 3844	Shoe:Handle:Release	4
9	D355 3896	Compression Spring:Guide Plate:27N	2
10	D453 3818	Stud:Handle:Release:Peen	2
11	6754 2866	Roller - Positioning Guide	2
12	D453 3830	Guide Plate:Manual Feed:Right	1
13	D453 5354	Harness:Sensor:Connecting:F1F3	1
14	B834 3831	Paper Feed Sensor Bracket	1
15	AW01 0118	Paper Feed Sensor	1
16	B834 3899	Lever - Misfeed Removal	1
17	B303 1306	Decal - Instruction	1

Index No.	Part No.	Description	Q'ty Per Assembly
101	0454 4008Q	Tapping Screw - M4x8	
102	0454 4006Q	Tapping Screw:4x6	
103	0954 4010N	Screw:Polished Round/Spring:M4x10	
104	0720 0060E	Retaining Ring - M6	
105	0720 0040E	Retaining Ring - M4	
106	0708 0060N	Washer:DIA6	

21.Paper Transfer 2 (D453)

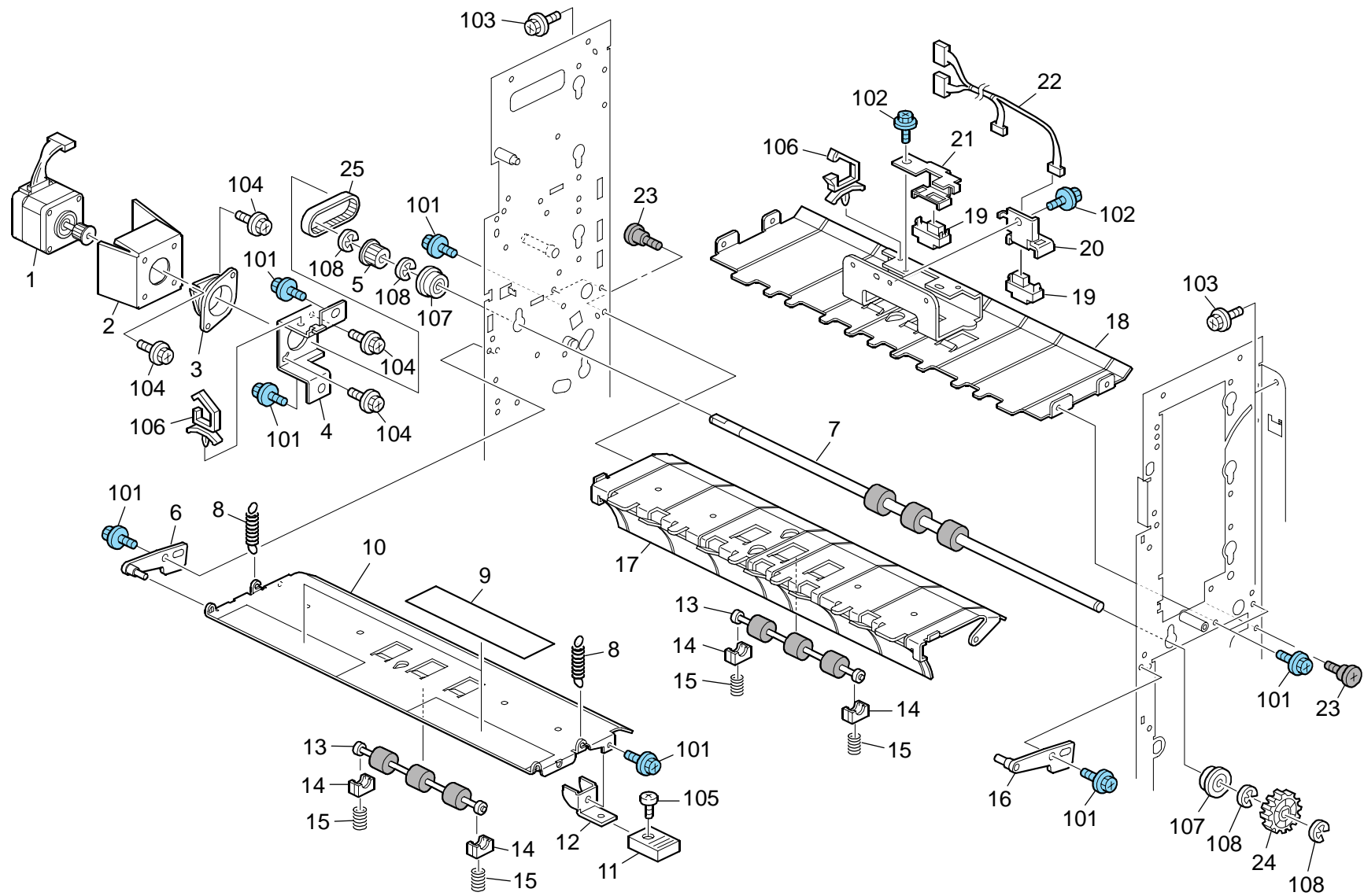


21.Paper Transfer 2 (D453)

Index No.	Part No.	Description	Q'ty Per Assembly
1	AX04 0158	Stepper Motor DC2.64V 6.3W	1
2	B832 3510	Heat Sink	1
3	A232 4666	Cushion - Stepper Motor	1
4	B835 3972	Stepper Motor Bracket	1
5	B834 1648	Timing Belt - B60S2M120	1
6	B834 1646	Timing Belt - B60S2M206	1
7	B234 6506	Timing Pulley - 30T	2
8	AB01 3654	Gear - 30Z	1
9	D453 3841	Guide Plate:Upper Right:Peen	1
10	AW01 0122	Paper Feed Sensor	2
11	B834 3883	Paper Feed Sensor Bracket	2
12	D453 5353	Harness:Sensor:F1:Upper Lower	1
13	D453 3836	Stopper:Stay:Front:Upper	1
14	B834 3803	Transport Drive Roller - CCW	2
15	B834 3806	Transport Drive Roller - No.4 CCW	1
16	B832 3909	Bracket Cushion	1
17	B234 6507	Timing Pulley - 25T	1

Index No.	Part No.	Description	Q'ty Per Assembly
101	0454 4008Q	Tapping Screw - M4x8	
102	0454 4006Q	Tapping Screw:4x6	
103	0360 3006N	Screw - M3x6	
104	0720 0060E	Retaining Ring - M6	
105	0742 3808	Ball Bearing - 8x16x5	
106	1105 0511	Harness Clamp - LWS-0306ZC	

22.Paper Transfer 3 (D453)

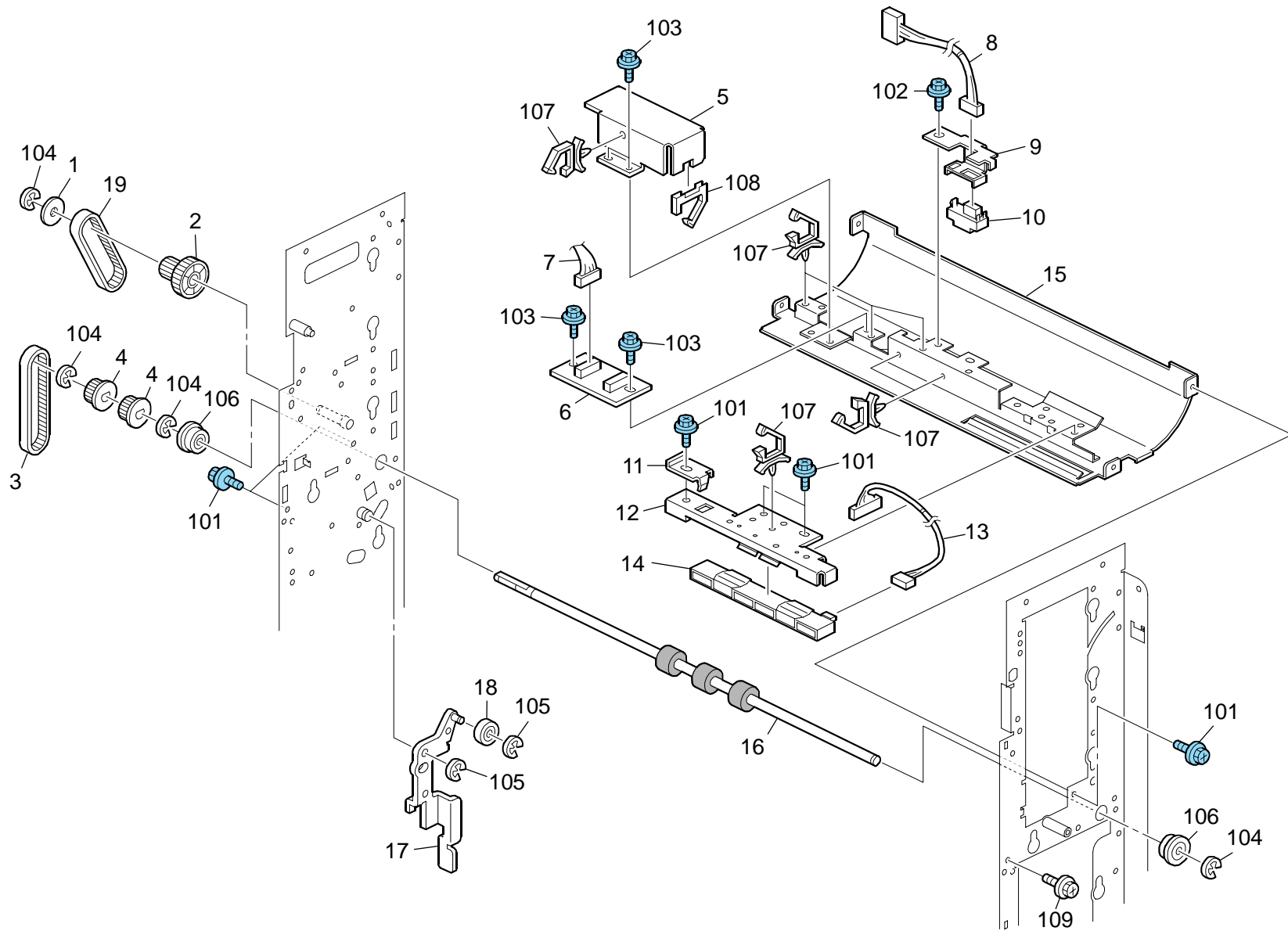


22.Paper Transfer 3 (D453)

Index No.	Part No.	Description	Q'ty Per Assembly
1	AX04 0158	Stepper Motor DC2.64V 6.3W	1
2	B832 3510	Heat Sink	1
3	A232 4666	Cushion - Stepper Motor	1
4	B835 3972	Stepper Motor Bracket	1
5	B234 6507	Timing Pulley - 25T	1
6	B834 3669	Contact Point Bracket - Rear	1
7	B834 3805	Transport Drive Roller - Exit	1
8	AA06 6680	Spring	2
9	B834 3867	Positioning Sensor Sheet	2
10	B834 3920	Guide Plate - Middle Lower	1
11	A353 2243	Lever Knob	1
12	B511 3637	Lever	1
13	B834 2568	Transport Roller - Driven	2
14	AA08 4059	Ball Bearing Holder	4
15	AA06 6675	Compression Spring	4
16	B834 3670	Contact Point Bracket	1
17	D453 3630	Guide Plate:Middle Lower	1
18	B834 3880	Entrance Guide Plate - Middle Upper	1
19	AW01 0122	Paper Feed Sensor	2
20	B834 3828	Paper Feed Sensor Bracket	1
21	B834 3883	Paper Feed Sensor Bracket	1
22	D453 5355	Harness:F2:Transport:Middle	1
23	D355 3897	Screw:M4:3M	2
24	AB01 4152	Gear - 32Z	1
25	B834 1648	Timing Belt - B60S2M120	1

Index No.	Part No.	Description	Q'ty Per Assembly
101	0454 4008Q	Tapping Screw - M4x8	
102	0454 4006Q	Tapping Screw:4x6	
103	0451 4008N	Tapping Screw:4x8	
104	0360 3006N	Screw - M3x6	
105	0313 0040N	Screw:M3x4	
106	1105 0511	Harness Clamp - LWS-0306ZC	
107	0742 3808	Ball Bearing - 8x16x5	
108	0720 0060E	Retaining Ring - M6	

23.Paper Transfer 4 (D453)

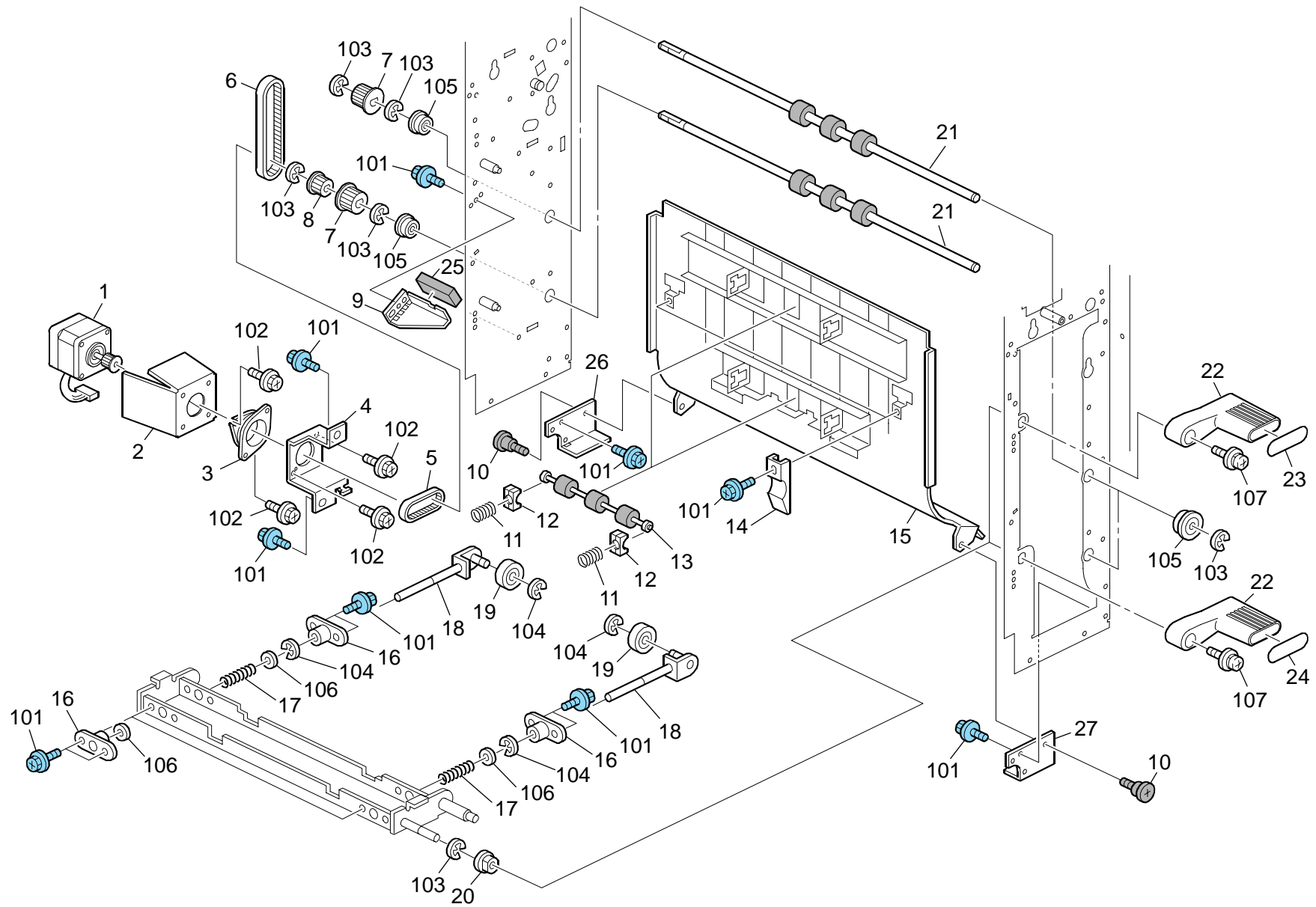


23.Paper Transfer 4 (D453)

Index No.	Part No.	Description	Q'ty Per Assembly
1	AA13 2205	Spacer - Timing Belt	1
2	B834 3885	Gear/Pulley - 31Z/31T	1
3	B834 1645	Timing Belt - B60S2M220	1
4	B234 6506	Timing Pulley - 30T	2
5	B834 3835	Cover - Positioning Sensor	1
6	B234 5280	PCB CRB	1
7	D453 5351	Harness:Interface:CRB	2
8	D453 5352	Harness:Sensor:Connecting:Exit	1
9	B834 3883	Paper Feed Sensor Bracket	1
10	AW01 0122	Paper Feed Sensor	1
11	B834 3675	Registration Sensor Holder Bracket	1
12	B832 3685	Sensor Bracket	1
13	D453 5359	Harness:Line Sensor	1
14	B234 2750	Contact Image Sensor	1
15	B834 3930	Guide Plate - Middle Upper	1
16	B834 3806	Transport Drive Roller - No.4 CCW	1
17	B834 3819	Link	1
18	6754 2866	Roller - Positioning Guide	1
19	B834 1646	Timing Belt - B60S2M206	1

Index No.	Part No.	Description	Q'ty Per Assembly
101	0454 4008Q	Tapping Screw - M4x8	
102	0454 4006Q	Tapping Screw:4x6	
103	0454 3006Q	Tapping Screw - M3x6	
104	0720 0060E	Retaining Ring - M6	
105	0720 0040E	Retaining Ring - M4	
106	0742 3808	Ball Bearing - 8x16x5	
107	1105 0511	Harness Clamp - LWS-0306ZC	
108	1105 0522	Edge Saddle - LES0510	
109	0451 4006N	Tapping Screw - 4x6	

24.Paper Transfer 5 (D453)

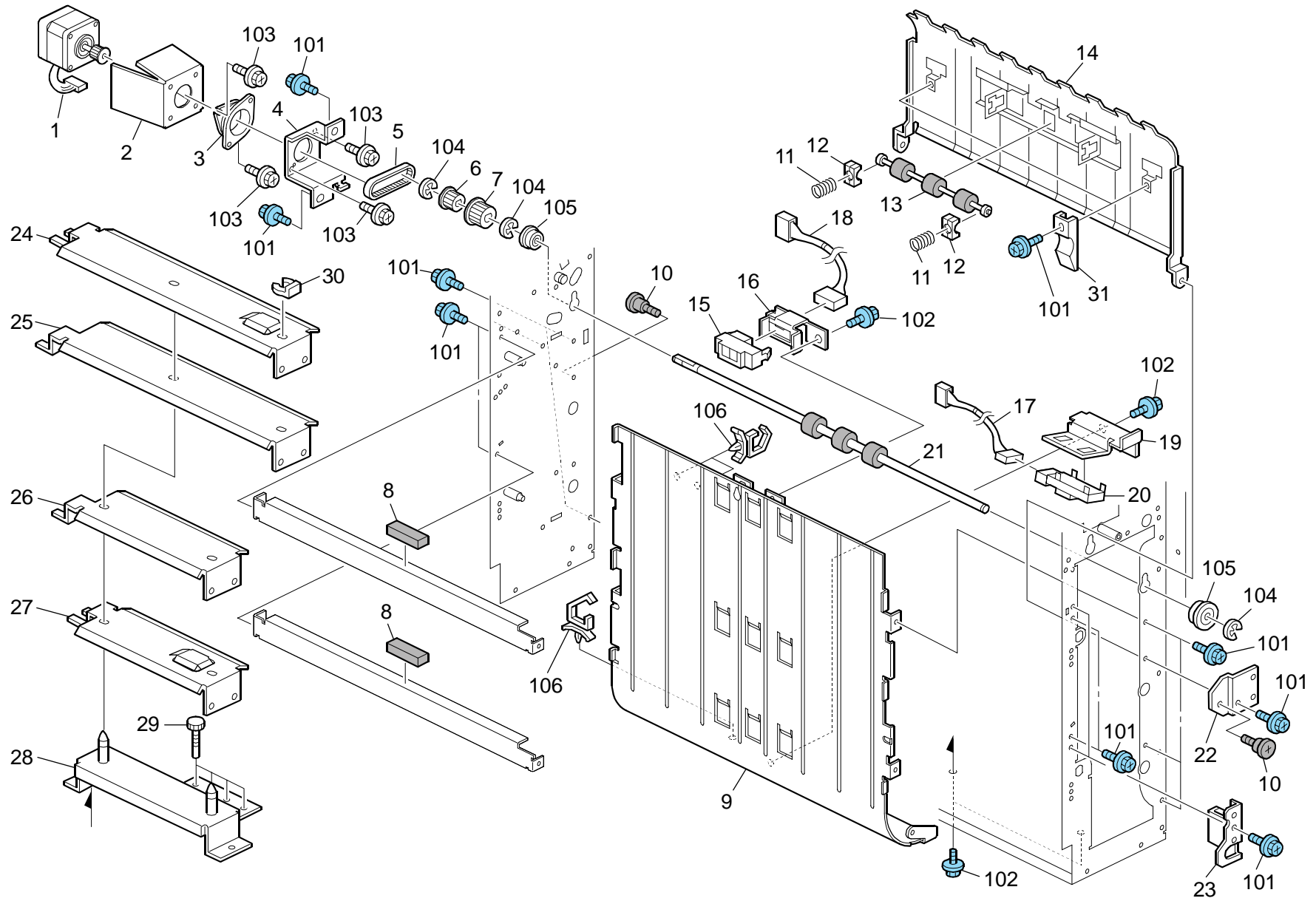


24.Paper Transfer 5 (D453)

Index No.	Part No.	Description	Q'ty Per Assembly
1	AX04 0158	Stepper Motor DC2.64V 6.3W	1
2	B832 3510	Heat Sink	1
3	A232 4666	Cushion - Stepper Motor	1
4	B835 3972	Stepper Motor Bracket	1
5	B834 1648	Timing Belt - B60S2M120	1
6	B834 1647	Timing Belt - B60S2M260	1
7	B234 6506	Timing Pulley - 30T	2
8	B234 6507	Timing Pulley - 25T	1
9	B834 3836	Stopper Stay	1
10	D355 3897	Screw:M4:3M	2
11	AA06 6675	Compression Spring	4
12	AA08 4059	Ball Bearing Holder	4
13	B834 2568	Transport Roller - Driven	2
14	D355 3828	Holder:Stay:Guide Plate	2
15	D453 3650	Guide Plate	1
16	D355 3844	Shoe:Handle:Release	8
17	D355 3896	Compression Spring:Guide Plate:27N	4
18	D453 3818	Stud:Handle:Release:Peen	4
19	6754 2866	Roller - Positioning Guide	4
20	AA08 2070	Bushing - 8x16x7	2
21	B834 3807	Transport Drive Roller - CW	2
22	B303 3682	Misfeed Removal Knob	2
23	B303 1307	Decal - Instruction	1
24	B834 1318	Decal - Display (U5)	1
25	B832 3909	Bracket Cushion	1
26	D453 3867	Bracket:Contact Point:Rear Lower	1
27	D453 3865	Bracket:Contact Point:Front Lower	1

Index No.	Part No.	Description	Q'ty Per Assembly
101	0454 4008Q	Tapping Screw - M4x8	
102	0360 3006N	Screw - M3x6	
103	0720 0060E	Retaining Ring - M6	
104	0720 0040E	Retaining Ring - M4	
105	0742 3808	Ball Bearing - 8x16x5	
106	0708 0060N	Washer:DIA6	
107	0954 4010N	Screw:Polished Round/Spring:M4x10	

25.Paper Transfer 6 (D453)

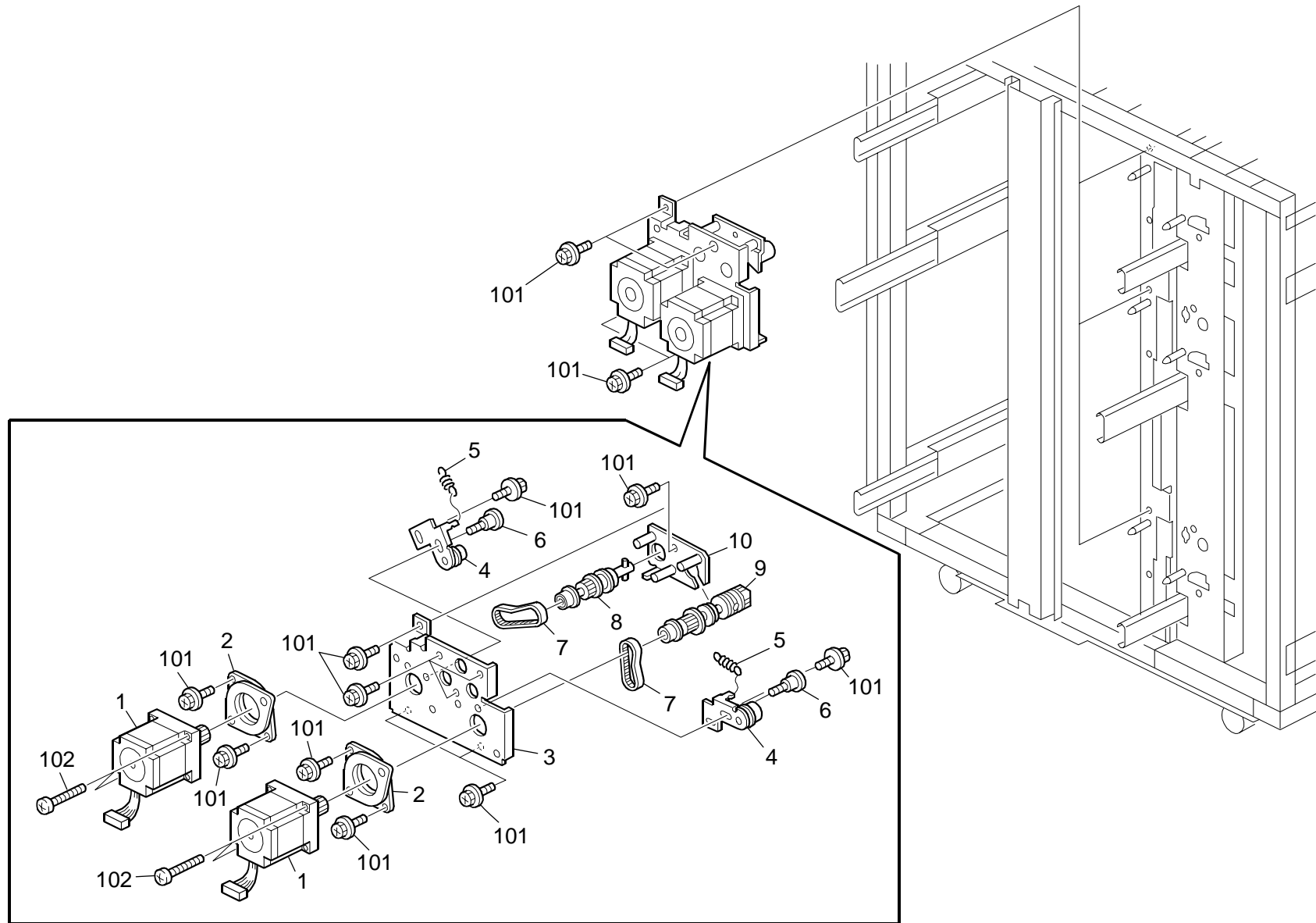


25.Paper Transfer 6 (D453)

Index No.	Part No.	Description	Q'ty Per Assembly
1	AX04 0158	Stepper Motor DC2.64V 6.3W	1
2	B832 3510	Heat Sink	1
3	A232 4666	Cushion - Stepper Motor	1
4	B835 3972	Stepper Motor Bracket	1
5	B834 1648	Timing Belt - B60S2M120	1
6	B234 6507	Timing Pulley - 25T	1
7	B234 6506	Timing Pulley - 30T	1
8	B832 3909	Bracket Cushion	2
9	D453 3842	Guide Plate:Lower Right	1
10	D355 3897	Screw:M4:3M	2
11	AA06 6675	Compression Spring	2
12	AA08 4059	Ball Bearing Holder	2
13	B834 2568	Transport Roller - Driven	1
14	D453 3640	Guide Plate:Lower:Left Upper	1
15	AW01 0122	Paper Feed Sensor	1
16	B834 3883	Paper Feed Sensor Bracket	1
17	D453 5356	Harness:Connecting:F3:Middle	1
18	D453 5354	Harness:Sensor:Connecting:F1F3	1
19	B834 3825	Paper Feed Sensor Bracket	1
20	AW01 0118	Paper Feed Sensor	1
21	B834 3807	Transport Drive Roller - CW	1
22	D453 3862	Bracket>Contact Point:Front	1
23	D453 3838	Stopper:Stay:Front:Lower	2
24	B834 2711	Bracket:Postcard:No.2:Rear	1
25	B834 2714	Bracket:Postcard:No.2:Front	1
26	B834 2712	Bracket:Postcard:No.1:Front	1
27	B834 2713	Bracket:Postcard:No.1:Rear	1
28	B834 2805	Bracket:Postcard:Stay:Peen	1
29	B832 2877	Knob Screw:Tray:Guide:Green	4
30	5215 2621	Snap Ring - M6	1
31	D355 3828	Holder:Stay:Guide Plate	2

Index No.	Part No.	Description	Q'ty Per Assembly
101	0454 4008Q	Tapping Screw - M4x8	
102	0454 4006Q	Tapping Screw:4x6	
103	0360 3006N	Screw - M3x6	
104	0720 0060E	Retaining Ring - M6	
105	0742 3808	Ball Bearing - 8x16x5	
106	1105 0511	Harness Clamp - LWS-0306ZC	

26. Drive Section 1 (D453)

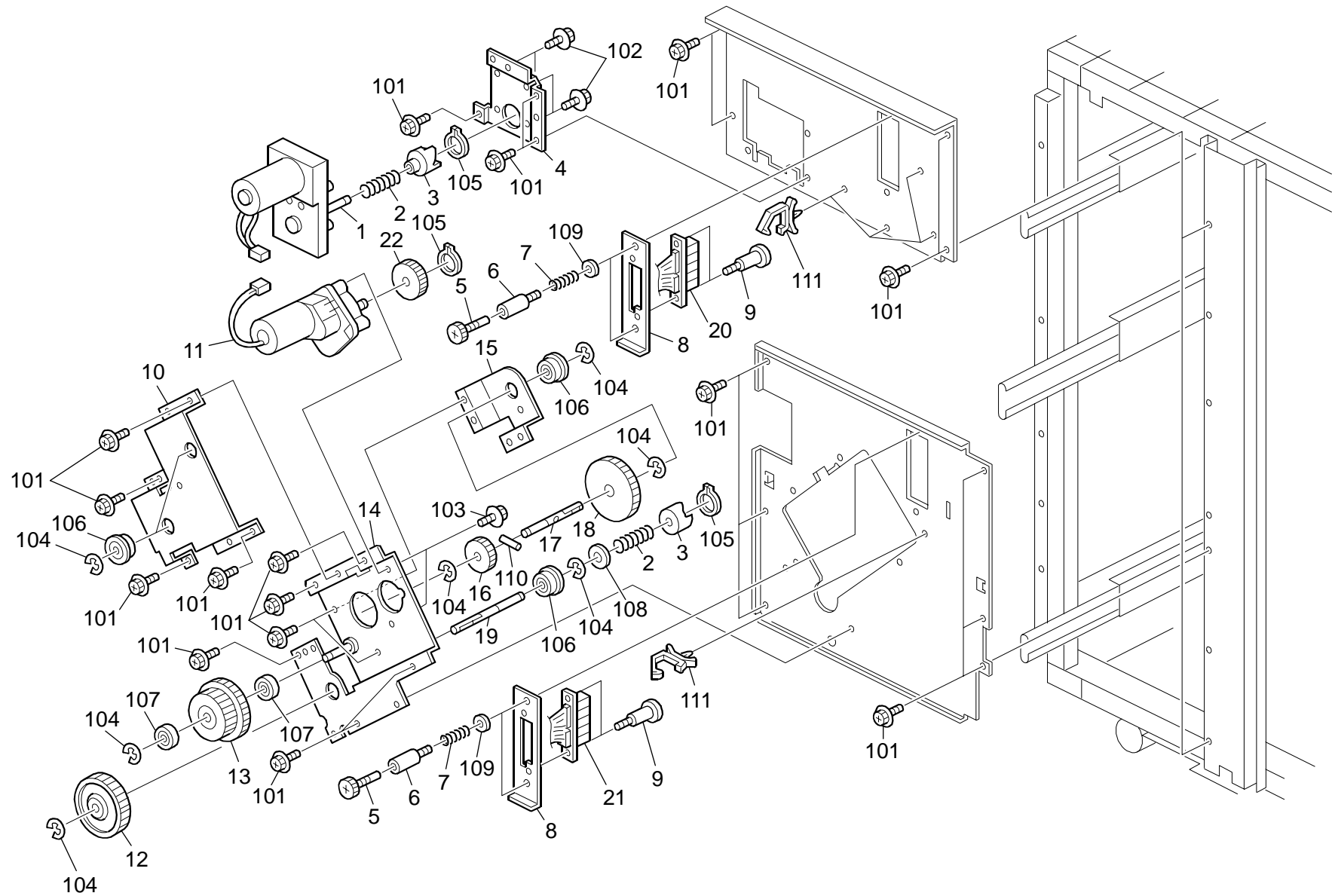


26. Drive Section 1 (D453)

Index No.	Part No.	Description	Q'ty Per Assembly
1	AX04 0157	Stepper Motor DC1.68V 6.7W	6
2	AA16 1122	Motor Cushion	6
3	B834 1725	Paper Feed Unit Drive Bracket	3
4	B832 1750	Tension Bracket	6
5	B234 6508	Tension Spring	6
6	AA14 3562	Screw:M4:DIA6x1.2	6
7	AA04 2550	Timing Belt - S2M138	6
8	B834 1740	Shaft	3
9	B834 1730	Grip Drive Shaft	3
10	B834 1718	Bracket	3

Index No.	Part No.	Description	Q'ty Per Assembly
101	0451 4008N	Tapping Screw:4x8	
102	0314 0080N	Philips Pan Head Screw - M4x8	

27. Drive Section 2 (D453)

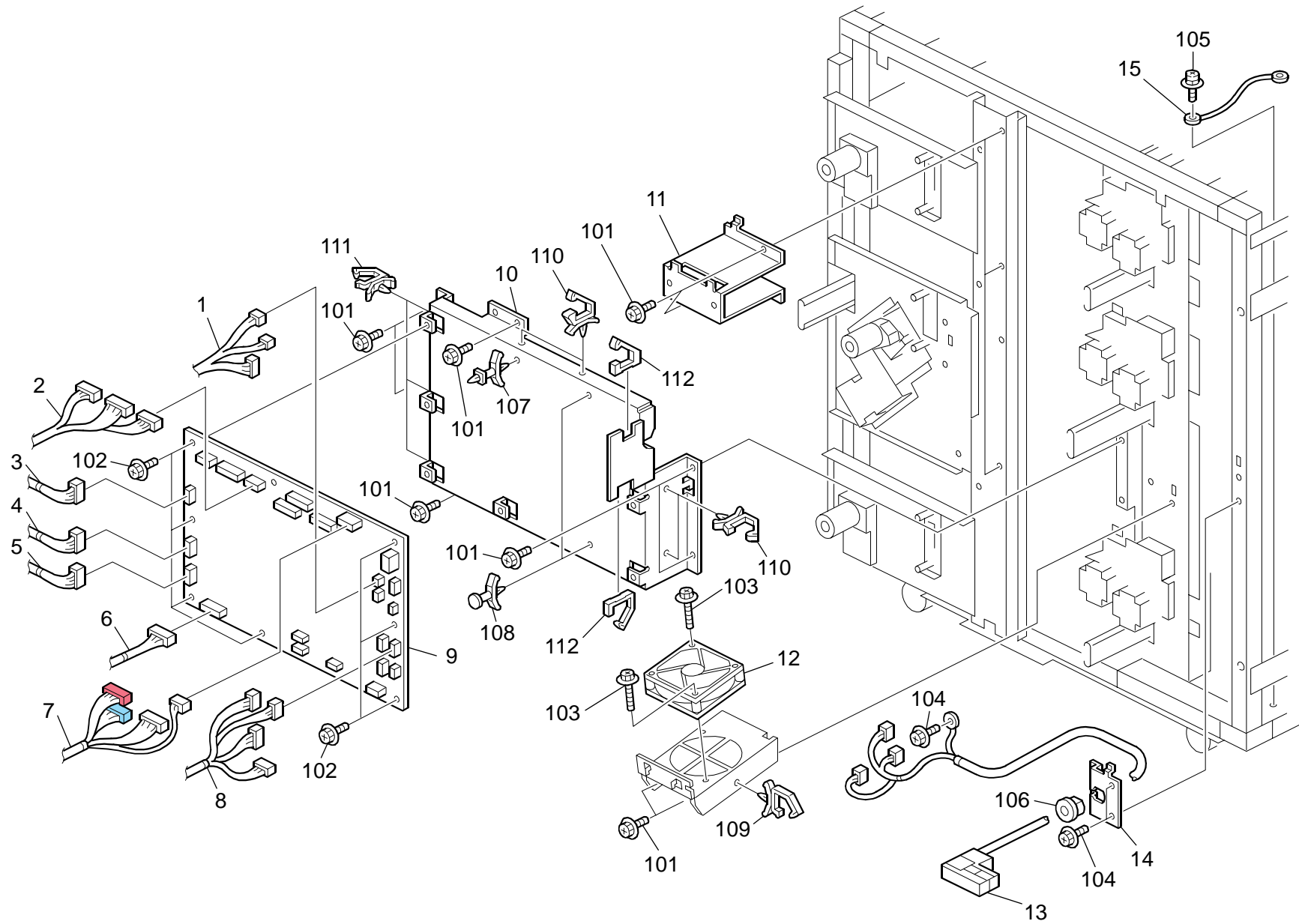


27. Drive Section 2 (D453)

Index No.	Part No.	Description	Q'ty Per Assembly
1	AX04 0231	DC Motor 24V 19.6W	2
2	B834 4388	Compression Spring	3
3	B303 1185	Metal Joint	3
4	B834 4387	Motor Bracket No.1	2
5	B834 1102	Screw:Drawer:Connector	6
6	B834 1101	Shaft:Drawer:Connector	6
7	D355 4875	Compression Spring	6
8	D453 4883	Bracket:Drawer:Connector:Rear	3
9	D453 4876	Screw:Drawer:Connector	6
10	D355 4934	Plate:Drive:Rear	1
11	AX04 0229	DC Motor 24V 21.6W	1
12	B834 3203	Gear - 48Z	1
13	B834 4547	Gear - 36Z/60Z	1
14	D355 4931	Plate:Drive:Middle	1
15	D355 4933	Plate:Drive:Front	1
16	B834 3214	Gear - 30Z	1
17	D355 4549	Shaft:Gear:Drive	1
18	B834 3217	Gear - 60Z	1
19	D355 4548	Shaft:Main:Drive	1
20	D453 5320	Harness:Interface:Paper Tray:F1	1
20	D453 5322	Harness:Interface:Paper Tray:F3	1
21	D453 5321	Harness:Interface:Paper Tray:F2	1
22	D355 3214	Gear - 30Z	1

Index No.	Part No.	Description	Q'ty Per Assembly
101	0451 4008N	Tapping Screw:4x8	
102	0451 4006N	Tapping Screw - 4x6	
103	0451 3006N	Tapping Screw - 3x6	
104	0720 0060E	Retaining Ring - M6	
105	0727 0080E	Retaining Ring - M8	
106	0742 3808	Ball Bearing - 8x16x5	
107	0740 3008	Ball Bearing - 8x22x7	
108	0708 0080N	Washer-DIA8	
109	0701 0060N	Washer DIA6	
110	0633 0140G	Parallel Pin - 3x14	
111	1105 0508	Harness Clamp - LWS-0711	

28. Electrical Section (D453)

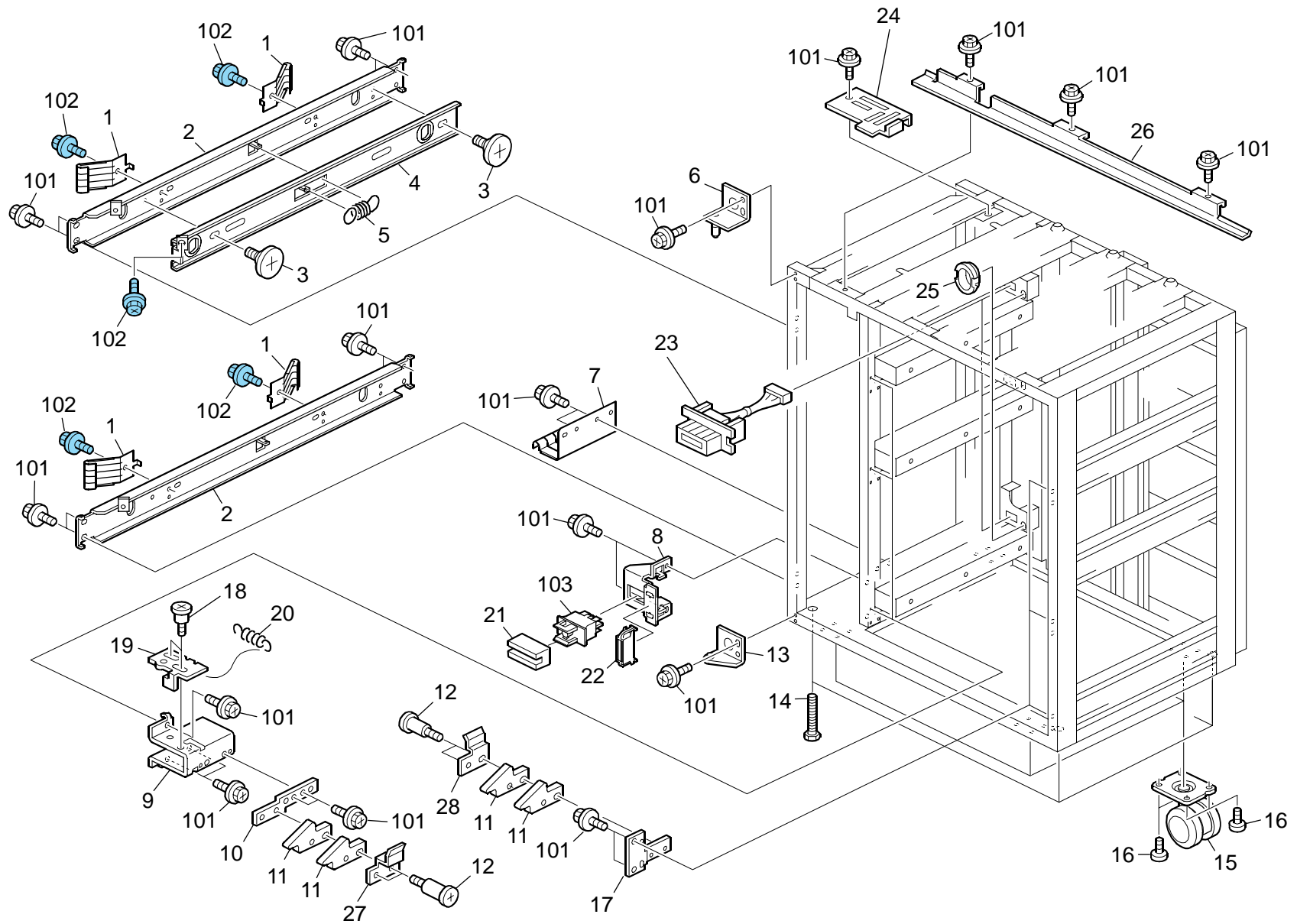


28.Electrical Section (D453)

Index No.	Part No.	Description	Q'ty Per Assembly
1	D453 5331	Harness:Safety Switch	1
2	D453 5300	Harness:DC Stepper Motor	1
3	D453 5302	Harness:DC Motor	1
4	D453 5320	Harness:Interface:Paper Tray:F1	1
5	D453 5321	Harness:Interface:Paper Tray:F2	1
6	D453 5322	Harness:Interface:Paper Tray:F3	1
7	D453 5332	Harness:Interface:Aleutian	1
8	D453 5350	Harness:Interface:Sensor	1
9	D453 5052	PCB:A3:Large Capacity Tray	3
10	D453 1087	Bracket:PWB	1
11	B834 1365	Rear Cover Bracket	1
12	GX64 0024	Fan Motor - DC 3.12W	1
13	D453 5333	Harness:Interface:Main	1
14	D355 1132	Bracket:Power Supply Cord	1
15	D453 5340	Harness:Earth:Ass'y	1

Index No.	Part No.	Description	Q'ty Per Assembly
101	0451 4008N	Tapping Screw:4x8	
102	0451 3006N	Tapping Screw - 3x6	
103	0451 4035N	Tapping Screw:4x35	
104	0453 4008N	Binding Self Tapping Screw:4x8	
105	0954 4010N	Screw:Polished Round/Spring:M4x10	
106	1105 0022	Cord Stopper - AWG 18/16 UL	
107	1105 0194	PCB Stud	
108	1105 0641	Clamp	
109	1105 0511	Harness Clamp - LWS-0306ZC	
110	1105 0489	Harness Clamp - LWS 1316	
111	1105 0508	Harness Clamp - LWS-0711	
112	1105 0521	Clamp - LES-1017	

29.Frame Section 1 (D453)

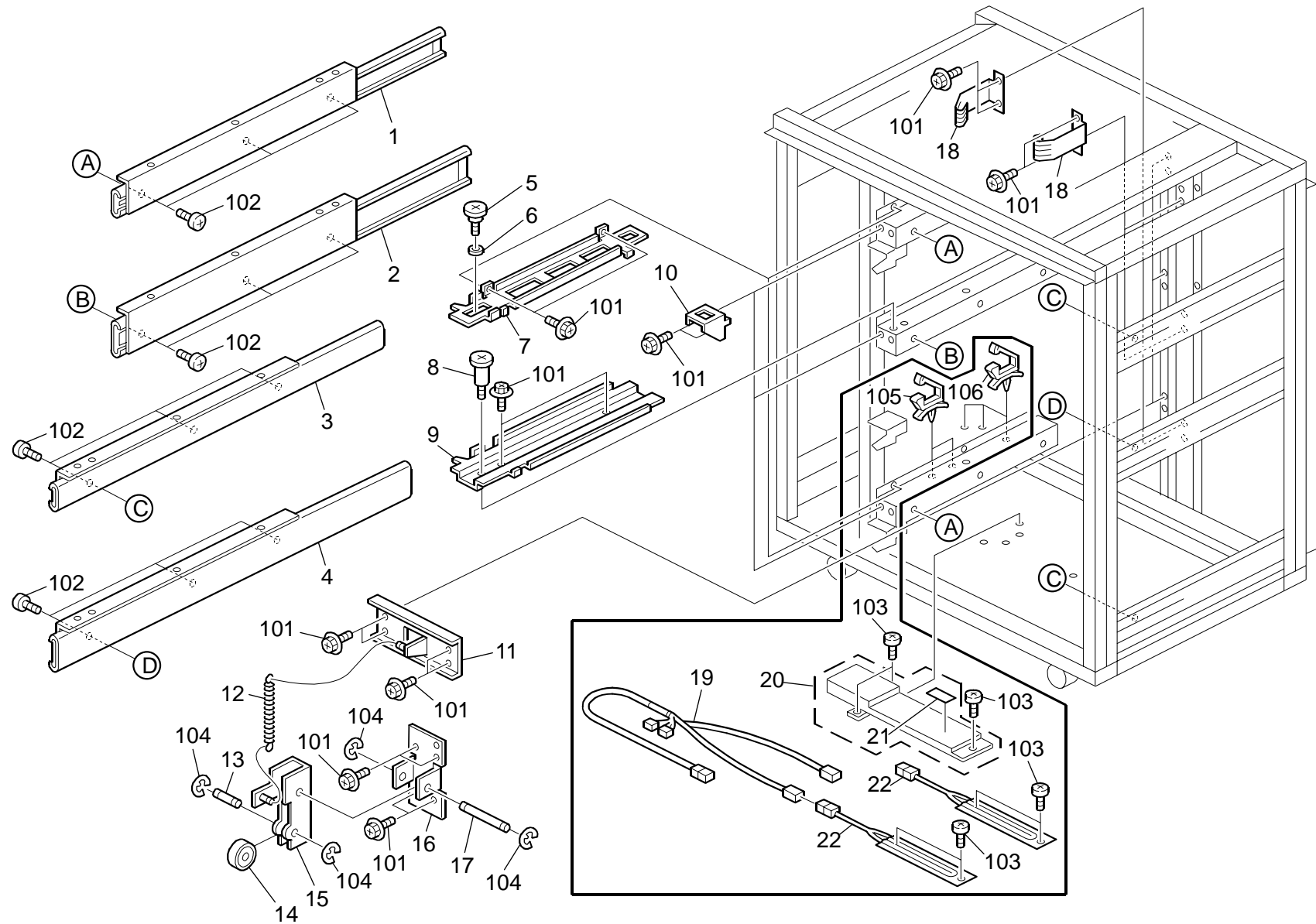


29.Frame Section 1 (D453)

Index No.	Part No.	Description	Q'ty Per Assembly
1	B303 1116	Grounding Plate	4
2	B834 1112	Lock Stay - Upper	2
3	AA14 0912	Screw - 8x14x2.8	2
4	B834 1114	Lock Slider	1
5	AA06 6671	Lock Spring	1
6	B834 1034	Cover Hinge - Upper	1
7	B834 1183	Ground Plate - Lower	1
8	B835 3996	Safety Switch Bracket	1
9	D453 1088	Bracket:Positioning:Tray	3
10	B834 3442	Stopper Holder - Left	3
11	B834 3443	Stopper Holder	6
12	B834 3460	Screw	12
13	B834 1355	Cover Hinge - Lower	1
14	B834 1089	Hexagonal Bolt - M12x50	4
15	AH01 2014	Caster - 60kgf	4
16	A507 1096	Philips Screw - M5x6	16
17	B834 4793	Stopper Bracket	3
18	AA14 3872	Screw:DIA6:M4	6
19	D453 1084	Plate:Lock:Tray	3
20	D453 1095	Tension Spring:Lock:Tray	3
21	D355 1325	Cover:Push Switch	1
22	AG07 1012	Magnet Catch:Ass'y	1
23	D452 5311	Harness:Connecting:Paper Feed Unit	3
24	B834 1165	Connector Bracket	1
25	B234 6141	Positioning Sleeve - Inner Back	3
26	B834 1373	Cover - Upper Front	1
27	B834 1056	Guide:Lock:Left:Tray	3
28	B834 1055	Guide:Lock:Right:Tray	3

Index No.	Part No.	Description	Q'ty Per Assembly
101	0451 4008N	Tapping Screw:4x8	
102	0454 4008Q	Tapping Screw - M4x8	
103	1204 2382	Interlock Switch - FA1L-CA22	

30.Frame Section 2 (D453)



30.Frame Section 2 (D453)

Index No.	Part No.	Description	Q'ty Per Assembly
1	B834 1125	Left Slide Rail - Upper Lower	2
2	B834 1145	Slide Rail - Left Middle	1
3	B834 1135	Right Slide Rail - Upper Lower	2
4	B834 1155	Slide Rail - Right Middle	1
5	C219 5073	Stepped Screw	2
6	D453 1075	Spacer:Screw	2
7	D453 1073	Guide:Paper Feed Unit	2
8	B706 1859	Screw:Slider:Lock	1
9	D453 1074	Guide:Paper Feed Unit:Middle	1
10	D453 1071	Bracket:Guide:Paper Feed Unit	3
11	B834 4834	Tension Spring Bracket - Rear	3
12	B834 3264	Spring	3
13	B834 3263	Pressure Roller Shaft	3
14	G070 6201	Roller - Transfer Roller	3
15	B834 4821	Cam	3
16	B834 4832	Pressure Roller Bracket - Rear	3
17	B834 3262	Contact Point Shaft	3
18	B834 4915	Earth Spring Plate	3
19	D453 5341	Harness:Heater:Interface	1
20	B834 3870	Cover:Dehumidifier:Heater:Adhesion	1
21	GA00 0036	Decal - (High Temperature) Left	1
22	AX40 0012	Heater - 230C/18W	2

Index No.	Part No.	Description	Q'ty Per Assembly
101	0451 4008N	Tapping Screw:4x8	
102	0453 4008N	Binding Self Tapping Screw:4x8	
103	0314 0060N	Screw - M4x6	
104	0720 0060E	Retaining Ring - M6	
105	1105 0515	Harness Clamp - RLWS-3T(VO)	
106	1105 0488	Harness Clamp	

Parts Index

Parts Index

Part No.	Description	Page and Index No.
D453 1071	Bracket:Guide:Paper Feed Unit	61 - 10
D453 1073	Guide:Paper Feed Unit	61 - 7
D453 1074	Guide:Paper Feed Unit:Middle	61 - 9
D453 1075	Spacer:Screw	61 - 6
D453 1079	Stopper:Paper Feed Unit	35 - 8
D453 1084	Plate:Lock:Tray	59 - 19
D453 1087	Bracket:PWB	57 - 10
D453 1088	Bracket:Positioning:Tray	59 - 9
D453 1095	Tension Spring:Lock:Tray	59 - 20
D453 1308	Decal:Size Indication:Multi-language:1	3 - 19
D453 1309	Decal:Size Indication:Multi-language:2	3 - 18
D453 1316	Decal:Knob:Rotation Direction:U2	35 - 3
D453 1318	Decal:Knob:Rotation Direction:U4	35 - 4
D453 1321	Decal:Knob:Rotation Direction:U6	35 - 5
D453 1323	Decal:Side Fence:Postcard:1	19 - 18
D453 1323	Decal:Side Fence:Postcard:1	5 - 24
D453 1324	Decal:Side Fence:Postcard:2	5 - 26
D453 1324	Decal:Side Fence:Postcard:2	19 - 20
D453 1331	Inner Cover:Paper Feed:Upper	3 - 10
D453 1335	Decal:TCRU	37 - 3
D453 1335	Decal:TCRU	35 - 2
D453 1335	Decal:TCRU	27 - 20
D453 1335	Decal:TCRU	13 - 21
D453 1341	Inner Cover:Paper Feed:Lower	3 - 11
D453 1360	Cover:Rear:Left:Ass'y	3 - 5
D453 1370	Cover:Upper	3 - 4
D453 1381	Cover:Paper Tray:Upper	5 - 27
D453 1382	Cover:Paper Tray:Middle	19 - 21
D453 1383	Cover:Paper Tray:Lower	5 - 27
D453 1384	Grip:Paper Tray:Front	5 - 19
D453 1384	Grip:Paper Tray:Front	19 - 24
D453 1388	Inner Cover:Paper Feed Unit	35 - 1
D453 1389	Grip:Paper Tray:Rear	19 - 23
D453 1389	Grip:Paper Tray:Rear	5 - 20
D453 2500	Paper Feed Unit:Ass'y	35 - *

Part No.	Description	Page and Index No.
D453 2552	Guide Plate:Reverse	35 - 17
D453 2577	Bracket:Sensor:Paper Feed	35 - 11
D453 2585	Shaft:Feed Roller:Ass'y	37 - 16
D453 2612	Bracket:Side Plate:Rear:Paper Feed Unit	35 - 16
D453 2719	Separation Plate:Drive Unit	5 - 28
D453 2751	Plate:Grip:Joint	5 - 21
D453 2751	Plate:Grip:Joint	19 - 26
D453 2777	Plate:Auxiliary:Small:Adhesion	23 - 25
D453 2777	Plate:Auxiliary:Small:Adhesion	9 - 25
D453 3400	Guide:Stopper:Left	5 - 2
D453 3400	Guide:Stopper:Left	19 - 2
D453 3425	Guide:Stopper:Right	5 - 13
D453 3425	Guide:Stopper:Right	19 - 12
D453 3439	Drum Stay:Paper Feed:Upper	13 - 19
D453 3439	Drum Stay:Paper Feed:Upper	27 - 19
D453 3459	Guard:Blower:Front	7 - 2
D453 3462	Cover:Blower:Harness	7 - 1
D453 3475	Bracket:Main	5 - 5
D453 3475	Bracket:Main	19 - 5
D453 3620	Guide Plate:Upper	41 - 4
D453 3630	Guide Plate:Middle Lower	45 - 17
D453 3640	Guide Plate:Lower:Left Upper	51 - 14
D453 3650	Guide Plate	49 - 15
D453 3818	Stud:Handle:Release:Peen	49 - 18
D453 3818	Stud:Handle:Release:Peen	41 - 10
D453 3830	Guide Plate:Manual Feed:Right	41 - 12
D453 3836	Stopper:Stay:Front:Upper	43 - 13
D453 3838	Stopper:Stay:Front:Lower	51 - 23
D453 3841	Guide Plate:Upper Right:Peen	43 - 9
D453 3842	Guide Plate:Lower Right	51 - 9
D453 3862	Bracket:Contact Point:Front	51 - 22
D453 3865	Bracket:Contact Point:Front Lower	49 - 27
D453 3867	Bracket:Contact Point:Rear Lower	49 - 26
D453 4055	Bracket:Tension:Rear:No.1	17 - 15
D453 4449	Shaft:Link:Pierce	5 - 14

Part No.	Description	Page and Index No.
D453 4449	Shaft:Link:Pierce	19 - 10
D453 4576	Feeler:Paper Volume Sensor	11 - 1
D453 4581	Flat Screw:M4x4	15 - 16
D453 4582	Bracket:End Fence	15 - 13
D453 4587	Stay:End Fence	15 - 7
D453 4591	Shielding Plate:Paper Size Sensor:Short	15 - 8
D453 4597	Shaft:End Fence:Coupling	15 - 12
D453 4598	Bracket:Paper Volume Sensor	13 - 16
D453 4652	Supporting Plate:Side Fence:Front	7 - 22
D453 4654	Side Fence:Front	7 - 18
D453 4662	Supporting Plate:Side Fence:Rear	9 - 2
D453 4665	Side Fence:Rear	9 - 1
D453 4876	Screw:Drawer:Connector	55 - 9
D453 4881	Bracket:Drawer:Connector	15 - 17
D453 4881	Bracket:Drawer:Connector	33 - 15
D453 4883	Bracket:Drawer:Connector:Rear	55 - 8
D453 5052	PCB:A3:Large Capacity Tray	57 - 9
D453 5300	Harness:DC Stepper Motor	57 - 2
D453 5302	Harness:DC Motor	57 - 3
D453 5312	Harness:Paper Feed Unit	35 - 9
D453 5320	Harness:Interface:Paper Tray:F1	55 - 20
D453 5320	Harness:Interface:Paper Tray:F1	57 - 4
D453 5321	Harness:Interface:Paper Tray:F2	57 - 5
D453 5321	Harness:Interface:Paper Tray:F2	55 - 21
D453 5322	Harness:Interface:Paper Tray:F3	57 - 6
D453 5322	Harness:Interface:Paper Tray:F3	55 - 20
D453 5324	Harness:Connecting:Tray:F2	33 - 14
D453 5325	Harness:Dc Fan Motor:F1F3	7 - 23
D453 5328	Harness:Connecting:Tray:F1F3:Ass'y	15 - 18
D453 5331	Harness:Safety Switch	57 - 1
D453 5332	Harness:Interface:Aleutian	57 - 7
D453 5333	Harness:Interface:Main	57 - 13
D453 5340	Harness:Earth:Ass'y	57 - 15
D453 5341	Harness:Heater:Interface	61 - 19
D453 5350	Harness:Interface:Sensor	57 - 8

Part No.	Description	Page and Index No.
D453 5351	Harness:Interface:CRB	47 - 7
D453 5352	Harness:Sensor:Connecting:Exit	47 - 8
D453 5353	Harness:Sensor:F1:Upper Lower	43 - 12
D453 5354	Harness:Sensor:Connecting:F1F3	51 - 18
D453 5354	Harness:Sensor:Connecting:F1F3	41 - 13
D453 5355	Harness:F2:Transport:Middle	45 - 22
D453 5356	Harness:Connecting:F3:Middle	51 - 17
D453 5359	Harness:Line Sensor	47 - 13

Part No.	Description	Page and Index No.
A228 3613	Gear - 20Z	29 - 14
A228 3613	Gear - 20Z	15 - 14
A229 2692	Damping Insulation	39 - 4
A232 4666	Cushion - Stepper Motor	49 - 3
A232 4666	Cushion - Stepper Motor	43 - 3
A232 4666	Cushion - Stepper Motor	51 - 3
A232 4666	Cushion - Stepper Motor	45 - 3
A294 4156	Gear - 23Z	29 - 10
A294 4156	Gear - 23Z	15 - 10
A335 4351	Guide Roller	25 - 4
A335 4351	Guide Roller	11 - 4
A353 2243	Lever Knob	45 - 11
A376 1295	Spacer - M6x10x5	13 - 5
A376 1295	Spacer - M6x10x5	27 - 5
A507 1096	Philips Screw - M5x6	59 - 16
B024 1365	Cap - 38x77	3 - 3
B070 1307	Decal:Paper Set Direction	3 - 29
B132 1226	Holder:Stand	3 - 24
B132 4119	Spacer:Gear:Idler	37 - 14
B234 2390	Flanged Hexagonal Head Bolt:M4x8	35 - 7
B234 2390	Flanged Hexagonal Head Bolt:M4x8	13 - 20
B234 2390	Flanged Hexagonal Head Bolt:M4x8	27 - 21
B234 2750	Contact Image Sensor	47 - 14
B234 5280	PCB CRB	47 - 6
B234 6141	Positioning Sleeve - Inner Back	11 - 5
B234 6141	Positioning Sleeve - Inner Back	25 - 5
B234 6141	Positioning Sleeve - Inner Back	59 - 25
B234 6222	Reverse Drive Shaft	39 - 7
B234 6223	Driven Reverse Shaft	39 - 9
B234 6301	Torque Limiter:75mN m	39 - 10
B234 6506	Timing Pulley - 30T	51 - 7
B234 6506	Timing Pulley - 30T	47 - 4
B234 6506	Timing Pulley - 30T	43 - 7
B234 6506	Timing Pulley - 30T	49 - 7
B234 6507	Timing Pulley - 25T	49 - 8

Part No.	Description	Page and Index No.
B234 6507	Timing Pulley - 25T	51 - 6
B234 6507	Timing Pulley - 25T	45 - 5
B234 6507	Timing Pulley - 25T	43 - 17
B234 6508	Tension Spring	53 - 5
B303 1116	Grounding Plate	59 - 1
B303 1185	Metal Joint	55 - 3
B303 1306	Decal - Instruction	41 - 17
B303 1307	Decal - Instruction	49 - 23
B303 2556	Reverse Pressure Lever	39 - 16
B303 2559	Lever:Pressure Release:Reverse	39 - 18
B303 3682	Misfeed Removal Knob	49 - 22
B511 1378	Cover:Cover:Upper	3 - 2
B511 1386	Cover:Right:Key Counter	3 - 8
B511 2677	Sensor Bracket	35 - 14
B511 3637	Lever	45 - 12
B706 1859	Screw:Slider:Lock	61 - 8
B832 1100	Positioning Pin - Upper	3 - 25
B832 1101	Positioning Pin - Lower	3 - 26
B832 1332	Decal - Misfeed Removal (U3)	3 - 13
B832 1371	Spacer Cushion	3 - 1
B832 1750	Tension Bracket	53 - 4
B832 2535	Reverse Guide Plate	39 - 1
B832 2541	Stay	39 - 8
B832 2569	Stay:Feed:Peen	37 - 5
B832 2578	DC Solenoid 24V	35 - 10
B832 2877	Knob Screw:Tray:Guide:Green	7 - 12
B832 2877	Knob Screw:Tray:Guide:Green	23 - 8
B832 2877	Knob Screw:Tray:Guide:Green	9 - 8
B832 2877	Knob Screw:Tray:Guide:Green	51 - 29
B832 2877	Knob Screw:Tray:Guide:Green	21 - 12
B832 3510	Heat Sink	51 - 2
B832 3510	Heat Sink	45 - 2
B832 3510	Heat Sink	43 - 2
B832 3510	Heat Sink	49 - 2
B832 3685	Sensor Bracket	47 - 12

Part No.	Description	Page and Index No.
B832 3909	Bracket Cushion	43 - 16
B832 3909	Bracket Cushion	49 - 25
B832 3909	Bracket Cushion	51 - 8
B833 2565	Compression Spring	39 - 3
B833 2567	Tension Spring	39 - 17
B834 1034	Cover Hinge - Upper	59 - 6
B834 1055	Guide:Lock:Right:Tray	59 - 28
B834 1056	Guide:Lock:Left:Tray	59 - 27
B834 1089	Hexagonal Bolt - M12x50	59 - 14
B834 1101	Shaft:Drawer:Connector	55 - 6
B834 1102	Screw:Drawer:Connector	55 - 5
B834 1112	Lock Stay - Upper	59 - 2
B834 1114	Lock Slider	59 - 4
B834 1125	Left Slide Rail - Upper Lower	61 - 1
B834 1135	Right Slide Rail - Upper Lower	61 - 3
B834 1145	Slide Rail - Left Middle	61 - 2
B834 1155	Slide Rail - Right Middle	61 - 4
B834 1165	Connector Bracket	59 - 24
B834 1183	Ground Plate - Lower	59 - 7
B834 1309	Decal - Misfeed Removal	3 - 22
B834 1318	Decal - Display (U5)	49 - 24
B834 1319	Decal - Misfeed Removal (U5)	3 - 16
B834 1331	Decal - Misfeed Removal (U1)	3 - 12
B834 1333	Decal - Misfeed Removal (U7)	3 - 14
B834 1334	Decal - Misfeed Removal (U8)	3 - 15
B834 1355	Cover Hinge - Lower	59 - 13
B834 1360	Cover - Left	3 - 21
B834 1361	Magnet Catch	3 - 23
B834 1365	Rear Cover Bracket	57 - 11
B834 1373	Cover - Upper Front	59 - 26
B834 1376	Rear Cover - Right	3 - 6
B834 1385	Cover - Right	3 - 7
B834 1645	Timing Belt - B60S2M220	47 - 3
B834 1646	Timing Belt - B60S2M206	47 - 19
B834 1646	Timing Belt - B60S2M206	43 - 6

Part No.	Description	Page and Index No.
B834 1647	Timing Belt - B60S2M260	49 - 6
B834 1648	Timing Belt - B60S2M120	49 - 5
B834 1648	Timing Belt - B60S2M120	45 - 25
B834 1648	Timing Belt - B60S2M120	43 - 5
B834 1648	Timing Belt - B60S2M120	51 - 5
B834 1718	Bracket	53 - 10
B834 1725	Paper Feed Unit Drive Bracket	53 - 3
B834 1730	Grip Drive Shaft	53 - 9
B834 1740	Shaft	53 - 8
B834 2520	Feed Guide Plate	37 - 1
B834 2568	Transport Roller - Driven	41 - 3
B834 2568	Transport Roller - Driven	49 - 13
B834 2568	Transport Roller - Driven	39 - 5
B834 2568	Transport Roller - Driven	45 - 13
B834 2568	Transport Roller - Driven	51 - 13
B834 2711	Bracket:Postcard:No.2:Rear	51 - 24
B834 2712	Bracket:Postcard:No.1:Front	51 - 26
B834 2713	Bracket:Postcard:No.1:Rear	51 - 27
B834 2714	Bracket:Postcard:No.2:Front	51 - 25
B834 2715	Tray Cushion Holder	25 - 7
B834 2805	Bracket:Postcard:Stay:Peen	51 - 28
B834 3065	Slide Rail - End Fence	15 - 2
B834 3065	Slide Rail - End Fence	29 - 2
B834 3111	Side Fence Shaft - Lower	27 - 13
B834 3111	Side Fence Shaft - Lower	13 - 13
B834 3203	Gear - 48Z	55 - 12
B834 3214	Gear - 30Z	55 - 16
B834 3217	Gear - 60Z	55 - 18
B834 3231	Timing Belt Holder - Rear	25 - 14
B834 3231	Timing Belt Holder - Rear	11 - 6
B834 3237	Bracket - Front	31 - 7
B834 3245	Tension Bracket No.2 - Front	31 - 6
B834 3248	Bracket - Rear	33 - 10
B834 3262	Contact Point Shaft	61 - 17
B834 3263	Pressure Roller Shaft	61 - 13

Part No.	Description	Page and Index No.
B834 3264	Spring	61 - 12
B834 3283	Stay:Main	5 - 3
B834 3283	Stay:Main	19 - 4
B834 3309	Side Fence Bracket - Lower Rear	13 - 14
B834 3309	Side Fence Bracket - Lower Rear	27 - 14
B834 3312	Collar	19 - 13
B834 3312	Collar	23 - 20
B834 3312	Collar	27 - 7
B834 3312	Collar	9 - 20
B834 3312	Collar	21 - 5
B834 3312	Collar	13 - 7
B834 3312	Collar	7 - 5
B834 3312	Collar	5 - 17
B834 3313	Rack - Front:Lower	13 - 9
B834 3313	Rack - Front:Lower	27 - 9
B834 3314	Shaft Holder - Lower	13 - 8
B834 3314	Shaft Holder - Lower	27 - 8
B834 3315	Gear - 13Z	27 - 4
B834 3315	Gear - 13Z	13 - 4
B834 3316	Gear - 13Z	9 - 18
B834 3316	Gear - 13Z	13 - 6
B834 3316	Gear - 13Z	27 - 6
B834 3316	Gear - 13Z	23 - 18
B834 3318	Plate:Lower	27 - 3
B834 3318	Plate:Lower	13 - 3
B834 3323	Holder - Upper Front	7 - 7
B834 3323	Holder - :Upper Front	21 - 7
B834 3329	Holder - Upper Rear	23 - 21
B834 3329	Holder - Upper Rear	9 - 21
B834 3332	Guide - Upper Front	7 - 10
B834 3332	Guide - Upper Front	21 - 10
B834 3334	Guide - Upper Rear	9 - 14
B834 3334	Guide - Upper Rear	23 - 14
B834 3346	Coupling Shaft - Rear	27 - 11
B834 3349	Rack - Upper Rear	9 - 16

Part No.	Description	Page and Index No.
B834 3349	Rack - Upper Rear	23 - 16
B834 3350	Bushing - 6x10x6.5	21 - 4
B834 3350	Bushing - 6x10x6.5	27 - 2
B834 3350	Bushing - 6x10x6.5	9 - 13
B834 3350	Bushing - 6x10x6.5	13 - 2
B834 3350	Bushing - 6x10x6.5	7 - 4
B834 3350	Bushing - 6x10x6.5	23 - 13
B834 3353	Bracket:Upper Front:Side Fence	7 - 8
B834 3353	Bracket:Upper Front:Side Fence	21 - 8
B834 3354	Bracket:Upper Rear:Side Fence	23 - 22
B834 3354	Bracket:Upper Rear:Side Fence	9 - 22
B834 3355	Cover:Upper Front	21 - 11
B834 3355	Cover:Upper Front	7 - 11
B834 3356	Cover:Upper Rear	9 - 10
B834 3356	Cover:Upper Rear	23 - 10
B834 3368	Slide Shaft - Upper	7 - 6
B834 3368	Slide Shaft - Upper	21 - 6
B834 3368	Slide Shaft - Upper	9 - 12
B834 3368	Slide Shaft - Upper	23 - 12
B834 3376	Plate:Handle	19 - 27
B834 3376	Plate:Handle	5 - 18
B834 3378	Stay	5 - 9
B834 3378	Stay	19 - 9
B834 3379	Arm:Swivel:Left:Peen	19 - 15
B834 3379	Arm:Swivel:Left:Peen	5 - 15
B834 3384	Contact Point Shaft	19 - 7
B834 3384	Contact Point Shaft	5 - 7
B834 3385	Arm - Right	5 - 16
B834 3385	Arm - Right	19 - 16
B834 3386	Link Handle	19 - 1
B834 3395	Plate - Left	19 - 3
B834 3396	Plate - Right	19 - 11
B834 3402	Timing Belt - B100S5M1605	17 - 8
B834 3422	Idler Bracket - Lower Front	17 - 5
B834 3423	Tension Bracket - Front	17 - 17

Part No.	Description	Page and Index No.
B834 3424	Oil Damper:0.5kgf cm:No.1	17 - 11
B834 3438	Link Shaft	19 - 6
B834 3438	Link Shaft	5 - 6
B834 3442	Stopper Holder - Left	59 - 10
B834 3443	Stopper Holder	59 - 11
B834 3460	Screw	59 - 12
B834 3471	Coupling Shaft - Rear	13 - 11
B834 3478	Link Handle	5 - 1
B834 3480	Plate - Left	5 - 4
B834 3481	Plate - Right	5 - 10
B834 3490	Spacer - Side Fence	11 - 12
B834 3490	Spacer - Side Fence	25 - 12
B834 3493	Oil Damper:0.2N	31 - 9
B834 3669	Contact Point Bracket - Rear	45 - 6
B834 3670	Contact Point Bracket	45 - 16
B834 3675	Registration Sensor Holder Bracket	47 - 11
B834 3803	Transport Drive Roller - CCW	43 - 14
B834 3805	Transport Drive Roller - Exit	45 - 7
B834 3806	Transport Drive Roller - No.4 CCW	43 - 15
B834 3806	Transport Drive Roller - No.4 CCW	47 - 16
B834 3807	Transport Drive Roller - CW	49 - 21
B834 3807	Transport Drive Roller - CW	51 - 21
B834 3819	Link	47 - 17
B834 3825	Paper Feed Sensor Bracket	51 - 19
B834 3828	Paper Feed Sensor Bracket	45 - 20
B834 3831	Paper Feed Sensor Bracket	41 - 14
B834 3835	Cover - Positioning Sensor	47 - 5
B834 3836	Stopper Stay	49 - 9
B834 3867	Positioning Sensor Sheet	45 - 9
B834 3870	Cover:Dehumidifier:Heater:Adhesion	61 - 20
B834 3880	Entrance Guide Plate - Middle Upper	45 - 18
B834 3883	Paper Feed Sensor Bracket	47 - 9
B834 3883	Paper Feed Sensor Bracket	43 - 11
B834 3883	Paper Feed Sensor Bracket	45 - 21
B834 3883	Paper Feed Sensor Bracket	51 - 16

Part No.	Description	Page and Index No.
B834 3885	Gear/Pulley - 31Z/31T	47 - 2
B834 3899	Lever - Misfeed Removal	41 - 16
B834 3920	Guide Plate - Middle Lower	45 - 10
B834 3930	Guide Plate - Middle Upper	47 - 15
B834 4027	Positioning Pin Bracket	13 - 17
B834 4027	Positioning Pin Bracket	27 - 17
B834 4032	Cushion:Tray:No.1	11 - 7
B834 4032	Cushion:Tray:No.1	25 - 6
B834 4041	Drive Shaft	17 - 13
B834 4043	Bearing Plate - Front	17 - 6
B834 4046	Bearing Plate - Rear	17 - 10
B834 4049	Idler Pulley	17 - 2
B834 4053	Plate	17 - 1
B834 4054	Tensioner	17 - 3
B834 4056	Tension Stud	17 - 16
B834 4153	Side Fence Grip	7 - 19
B834 4153	Side Fence Grip	21 - 19
B834 4163	Side Fence Grip - Rear	9 - 24
B834 4163	Side Fence Grip - Rear	23 - 24
B834 4387	Motor Bracket No.1	55 - 4
B834 4388	Compression Spring	55 - 2
B834 4533	Grip:Frame:Paper Tray	27 - 16
B834 4547	Gear - 36Z/60Z	55 - 13
B834 4557	Timing Pulley:Drive:No.2:Ass'y	31 - 2
B834 4557	Timing Pulley:Drive:No.2:Ass'y	33 - 2
B834 4559	Tensioner	33 - 4
B834 4559	Tensioner	31 - 4
B834 4563	Plate	31 - 1
B834 4563	Plate	33 - 1
B834 4564	Holder - Front	31 - 8
B834 4565	Timing Pulley - 20T	31 - 12
B834 4566	Tension Bracket No.2 - Rear	33 - 6
B834 4568	Stud	31 - 13
B834 4568	Stud	33 - 7
B834 4572	Timing Belt - B100S5M2000	33 - 3

Part No.	Description	Page and Index No.
B834 4572	Timing Belt - B100S5M2000	31 - 3
B834 4594	Shielding Plate - Long	29 - 8
B834 4595	Contact Point Shaft - Long	29 - 3
B834 4595	Contact Point Shaft - Long	15 - 3
B834 4696	Rack - Rear Lower	27 - 10
B834 4696	Rack - Rear Lower	13 - 10
B834 4741	Paper Size Sensor Bracket	9 - 19
B834 4741	Paper Size Sensor Bracket	23 - 19
B834 4742	Feeler - Paper Size Sensor No.1	9 - 15
B834 4742	Feeler - Paper Size Sensor No.1	23 - 15
B834 4743	Feeler - Paper Size Sensor No.2	9 - 11
B834 4743	Feeler - Paper Size Sensor No.2	23 - 11
B834 4793	Stopper Bracket	59 - 17
B834 4821	Cam	61 - 15
B834 4832	Pressure Roller Bracket - Rear	61 - 16
B834 4834	Tension Spring Bracket - Rear	61 - 11
B834 4872	Pressure Roller Bracket	17 - 14
B834 4891	Registration Side Plate - Right	5 - 12
B834 4891	Registration Side Plate - Right	19 - 22
B834 4892	Registration Side Plate - Left	19 - 14
B834 4892	Registration Side Plate - Left	5 - 11
B834 4915	Earth Spring Plate	61 - 18
B835 3972	Stepper Motor Bracket	45 - 4
B835 3972	Stepper Motor Bracket	49 - 4
B835 3972	Stepper Motor Bracket	51 - 4
B835 3972	Stepper Motor Bracket	43 - 4
B835 3996	Safety Switch Bracket	59 - 8
C219 5073	Stepped Screw	61 - 5
C236 3237	Collar 6x11.2x1.5	23 - 5
C236 3237	Collar 6x11.2x1.5	9 - 5
C563 3116	Belt Joint	25 - 2
C563 3116	Belt Joint	11 - 2
D002 5998	Washer:DIA4.5:DIA10	17 - 18
D059 2620	Retaining Rings-C	39 - 12
D059 2620	Retaining Rings-C	37 - 8

Part No.	Description	Page and Index No.
D350 1312	Decal:Paper:Supply:Right	19 - 19
D350 1312	Decal:Paper:Supply:Right	5 - 25
D350 1313	Decal:Paper:Supply:Left	19 - 17
D350 1313	Decal:Paper:Supply:Left	5 - 23
D350 1322	Decal:End Fence:Tab	3 - 28
D350 3339	Rack:Upper Front:Peen	7 - 9
D350 3339	Rack:Upper Front:Peen	21 - 9
D350 4517	Guard:Tray:Side Fence	7 - 3
D350 4517	Guard:Tray:Side Fence	21 - 3
D355 1132	Bracket:Power Supply Cord	57 - 14
D355 1325	Cover:Push Switch	59 - 21
D355 1394	Decal:Side Fence:Scale:Front	7 - 13
D355 1394	Decal:Side Fence:Scale:Front	21 - 13
D355 1395	Decal:Side Fence:Scale:Rear	23 - 9
D355 1395	Decal:Side Fence:Scale:Rear	9 - 9
D355 2551	Bracket:Reverse:Release	39 - 14
D355 2554	Hook:Reverse:Pressure	39 - 20
D355 2556	Lever:Reverse:Pressure:Swivel	39 - 21
D355 2559	Tension Spring:Reverse	39 - 19
D355 2563	Compression Spring:Reverse:Pressure:Auxiliary	39 - 22
D355 2674	Decal - Paper Volume	23 - 26
D355 2674	Decal - Paper Volume	9 - 26
D355 2784	End Fence:Tab:Ass'y	3 - 27
D355 3168	Bracket:Paper Size Sensor:Long	29 - 4
D355 3168	Bracket:Paper Size Sensor:Long	15 - 4
D355 3169	Plate:Paper Size Sensor	29 - 9
D355 3169	Plate:Paper Size Sensor	15 - 9
D355 3214	Gear - 30Z	55 - 22
D355 3232	Bracket:Timing Belt:Rear	25 - 3
D355 3232	Bracket:Timing Belt:Rear	11 - 3
D355 3306	Bracket:Side Fence:Lower Front	27 - 15
D355 3306	Bracket:Side Fence:Lower Front	13 - 15
D355 3365	Duct:Upper Front:Blower:Ass'y	21 - 14
D355 3365	Duct:Upper Front:Blower:Ass'y	7 - 14
D355 3375	Duct:Upper Rear:Blower:Ass'y	9 - 4

Part No.	Description	Page and Index No.
D355 3375	Duct:Upper Rear:Blower:Ass'y	23 - 4
D355 3459	Guard:Blower:Front	21 - 2
D355 3461	Guard:Blower:Rear	23 - 7
D355 3461	Guard:Blower:Rear	9 - 7
D355 3462	Cover:Blower:Harness	21 - 1
D355 3828	Holder:Stay:Guide Plate	41 - 5
D355 3828	Holder:Stay:Guide Plate	51 - 31
D355 3828	Holder:Stay:Guide Plate	49 - 14
D355 3844	Shoe:Handle:Release	49 - 16
D355 3844	Shoe:Handle:Release	41 - 8
D355 3896	Compression Spring:Guide Plate:27N	41 - 9
D355 3896	Compression Spring:Guide Plate:27N	49 - 17
D355 3897	Screw:M4:3M	51 - 10
D355 3897	Screw:M4:3M	45 - 23
D355 3897	Screw:M4:3M	49 - 10
D355 3897	Screw:M4:3M	41 - 6
D355 4140	Gear - 24Z	31 - 10
D355 4531	Shaft:Main:Drive	33 - 12
D355 4534	Holder:Driven:Rear	33 - 13
D355 4548	Shaft:Main:Drive	55 - 19
D355 4549	Shaft:Gear:Drive	55 - 17
D355 4556	Bracket:Paper Volume Sensor	33 - 8
D355 4563	Drive Bracket - Rear Lower	33 - 11
D355 4564	Bracket:Drive:Front Lower	31 - 11
D355 4565	Bracket:Paper Size Sensor:Roller:Peen	29 - 7
D355 4568	Feeler:Paper Volume Sensor	25 - 1
D355 4578	Guide:End Fence:Right	11 - 11
D355 4578	Guide:End Fence:Right	25 - 11
D355 4579	Guide:End Fence:Left	25 - 10
D355 4579	Guide:End Fence:Left	11 - 10
D355 4587	Bracket:End Fence	29 - 13
D355 4591	Grip:End Fence:Ass'y	25 - 13
D355 4591	Grip:End Fence:Ass'y	11 - 13
D355 4593	Rack:Base:End Fence	29 - 1
D355 4593	Rack:Base:End Fence	15 - 1

Part No.	Description	Page and Index No.
D355 4597	Shaft:End Fence:Coupling	29 - 12
D355 4598	Roller:Slider	15 - 15
D355 4608	Spacer:Side Fence:Push Rivet	7 - 21
D355 4608	Spacer:Side Fence:Push Rivet	9 - 28
D355 4608	Spacer:Side Fence:Push Rivet	21 - 21
D355 4608	Spacer:Side Fence:Push Rivet	23 - 28
D355 4620	Tray Bottom Plate:Adhesion	11 - 8
D355 4620	Tray Bottom Plate:Adhesion	25 - 8
D355 4630	Tray Bottom Plate - Support	7 - 20
D355 4630	Tray Bottom Plate - Support	23 - 27
D355 4630	Tray Bottom Plate - Support	9 - 27
D355 4630	Tray Bottom Plate - Support	21 - 20
D355 4652	Supporting Plate:Side Fence:Front	21 - 16
D355 4654	Cover:Side Fence	21 - 22
D355 4654	Cover:Side Fence	7 - 16
D355 4654	Cover:Side Fence	9 - 29
D355 4654	Cover:Side Fence	23 - 29
D355 4656	Side Fence:Front	21 - 18
D355 4662	Supporting Plate:Side Fence:Rear	23 - 2
D355 4665	Side Fence:Rear	23 - 1
D355 4866	Ball Bearing:Slide:DIA6	13 - 12
D355 4866	Ball Bearing:Slide:DIA6	27 - 12
D355 4875	Compression Spring	55 - 7
D355 4931	Plate:Drive:Middle	55 - 14
D355 4933	Plate:Drive:Front	55 - 15
D355 4934	Plate:Drive:Rear	55 - 10
D355 5316	Harness:Fan	33 - 16
D355 5515	Blower:Fan:DC24V 18.24W	23 - 3
D355 5515	Blower:Fan:DC24V 18.24W	9 - 3
D355 5515	Blower:Fan:DC24V 18.24W	7 - 17
D355 5515	Blower:Fan:DC24V 18.24W	21 - 17
D452 1310	Decal:Paper Tray:LCT	3 - 17
D452 2573	Cover:Paper Feed Roller	37 - 6
D452 2574	Arm:Pickup	37 - 11
D452 5311	Harness:Connecting:Paper Feed Unit	59 - 23

Part No.	Description	Page and Index No.
G052 1518	Spring - Lock Lever	15 - 5
G052 1518	Spring - Lock Lever	29 - 5
G070 6201	Roller - Transfer Roller	61 - 14
G417 3374	Tension Spring:Pulley:Idler	17 - 4
H085 1109	Bushing - M6x5	29 - 11
H085 1109	Bushing - M6x5	15 - 11
H516 3666	Spring - 19.6mm	19 - 8
H516 3666	Spring - 19.6mm	5 - 8

Part No.	Description	Page and Index No.
AA04 2550	Timing Belt - S2M138	53 - 7
AA06 0840	Pressure Spring - 29N	33 - 5
AA06 0840	Pressure Spring - 29N	31 - 5
AA06 0858	DC Solenoid Spring	23 - 6
AA06 0858	DC Solenoid Spring	7 - 15
AA06 0858	DC Solenoid Spring	9 - 6
AA06 0858	DC Solenoid Spring	21 - 15
AA06 3204	Compression Spring	37 - 15
AA06 6671	Lock Spring	59 - 5
AA06 6675	Compression Spring	45 - 15
AA06 6675	Compression Spring	49 - 11
AA06 6675	Compression Spring	41 - 1
AA06 6675	Compression Spring	51 - 11
AA06 6677	Tension Spring	37 - 7
AA06 6680	Spring	45 - 8
AA08 2070	Bushing - 8x16x7	49 - 20
AA08 2070	Bushing - 8x16x7	41 - 7
AA08 2101	Bushing - 6x10x6	23 - 23
AA08 2101	Bushing - 6x10x6	27 - 1
AA08 2101	Bushing - 6x10x6	9 - 23
AA08 2101	Bushing - 6x10x6	13 - 1
AA08 3015	Roller Clutch	37 - 13
AA08 4059	Ball Bearing Holder	41 - 2
AA08 4059	Ball Bearing Holder	49 - 12
AA08 4059	Ball Bearing Holder	39 - 2
AA08 4059	Ball Bearing Holder	45 - 14
AA08 4059	Ball Bearing Holder	51 - 12
AA13 2142	Spacer - M8	17 - 9
AA13 2205	Spacer - Timing Belt	47 - 1
AA14 0912	Screw - 8x14x2.8	59 - 3
AA14 3562	Screw:M4:DIA6x1.2	53 - 6
AA14 3812	Screw - Scale	35 - 13
AA14 3852	Screw	5 - 22
AA14 3852	Screw	19 - 25
AA14 3872	Screw:DIA6:M4	59 - 18

Part No.	Description	Page and Index No.
AA16 1122	Motor Cushion	53 - 2
AB01 1392	Drive Reverse Gear - 24Z	39 - 6
AB01 1478	Gear - 18Z	37 - 4
AB01 1591	Gear:Reverse	39 - 15
AB01 3654	Gear - 30Z	43 - 8
AB01 4140	Gear - 24Z	17 - 12
AB01 4152	Gear - 32Z	45 - 24
AB01 7724	Gear - 23Z/28Z	37 - 17
AB03 0548	Pulley - 16T	17 - 7
AF02 1410	Transport Roller	37 - 2
AF03 0080	Paper Feed Roller:Pickup	37 - 10
AF03 1081	Paper Feed Roller:Feed:Manual Feed	37 - 9
AF03 2080	Paper Feed Roller:Separate	39 - 11
AG05 0067	Knob - Transport Roller	3 - 9
AG05 0067	Knob - Transport Roller	35 - 6
AG07 1012	Magnet Catch:Ass'y	59 - 22
AH01 2014	Caster - 60kgf	59 - 15
AW01 0118	Paper Feed Sensor	41 - 15
AW01 0118	Paper Feed Sensor	51 - 20
AW01 0122	Paper Feed Sensor	45 - 19
AW01 0122	Paper Feed Sensor	43 - 10
AW01 0122	Paper Feed Sensor	47 - 10
AW01 0122	Paper Feed Sensor	35 - 12
AW01 0122	Paper Feed Sensor	51 - 15
AW02 0145	Photointerruptor:Flat	35 - 15
AW02 0160	Paper Feed Sensor	33 - 9
AW02 0160	Paper Feed Sensor	23 - 17
AW02 0160	Paper Feed Sensor	29 - 6
AW02 0160	Paper Feed Sensor	15 - 6
AW02 0160	Paper Feed Sensor	13 - 22
AW02 0160	Paper Feed Sensor	9 - 17
AX04 0157	Stepper Motor DC1.68V 6.7W	53 - 1
AX04 0158	Stepper Motor DC2.64V 6.3W	45 - 1
AX04 0158	Stepper Motor DC2.64V 6.3W	51 - 1
AX04 0158	Stepper Motor DC2.64V 6.3W	49 - 1

Part No.	Description	Page and Index No.
AX04 0158	Stepper Motor DC2.64V 6.3W	43 - 1
AX04 0229	DC Motor 24V 21.6W	55 - 11
AX04 0231	DC Motor 24V 19.6W	55 - 1
AX40 0012	Heater - 230C/18W	61 - 22
BB01 3008	Gear - 31Z	39 - 13
GA00 0036	Decal - (High Temperature) Left	61 - 21
GX64 0024	Fan Motor - DC 3.12W	57 - 12

Part No.	Description	Page and Index No.
0313 0040N	Screw:M3x4	45 - 105
0314 0060N	Screw - M4x6	61 - 103
0314 0080N	Philips Pan Head Screw - M4x8	53 - 102
0360 3006N	Screw - M3x6	43 - 103
0360 3006N	Screw - M3x6	51 - 103
0360 3006N	Screw - M3x6	45 - 104
0360 3006N	Screw - M3x6	49 - 102
0360 3008N	Screw:M3x8	15 - 104
0360 3008N	Screw:M3x8	33 - 104
0450 4008N	Tapping Screw - M4x8	3 - 103
0450 4008N	Tapping Screw - M4x8	5 - 102
0450 4008N	Tapping Screw - M4x8	19 - 107
0451 3006N	Tapping Screw - 3x6	57 - 102
0451 3006N	Tapping Screw - 3x6	55 - 103
0451 4006N	Tapping Screw - 4x6	55 - 102
0451 4006N	Tapping Screw - 4x6	29 - 103
0451 4006N	Tapping Screw - 4x6	47 - 109
0451 4008N	Tapping Screw:4x8	13 - 101
0451 4008N	Tapping Screw:4x8	57 - 101
0451 4008N	Tapping Screw:4x8	31 - 101
0451 4008N	Tapping Screw:4x8	11 - 101
0451 4008N	Tapping Screw:4x8	25 - 101
0451 4008N	Tapping Screw:4x8	45 - 103
0451 4008N	Tapping Screw:4x8	33 - 101
0451 4008N	Tapping Screw:4x8	17 - 101
0451 4008N	Tapping Screw:4x8	59 - 101
0451 4008N	Tapping Screw:4x8	15 - 102
0451 4008N	Tapping Screw:4x8	29 - 102
0451 4008N	Tapping Screw:4x8	9 - 102
0451 4008N	Tapping Screw:4x8	55 - 101
0451 4008N	Tapping Screw:4x8	61 - 101
0451 4008N	Tapping Screw:4x8	53 - 101
0451 4008N	Tapping Screw:4x8	35 - 101
0451 4008N	Tapping Screw:4x8	19 - 101
0451 4008N	Tapping Screw:4x8	23 - 102

Part No.	Description	Page and Index No.
0451 4008N	Tapping Screw:4x8	7 - 103
0451 4008N	Tapping Screw:4x8	21 - 103
0451 4008N	Tapping Screw:4x8	5 - 101
0451 4008N	Tapping Screw:4x8	27 - 101
0451 4008N	Tapping Screw:4x8	3 - 102
0451 4035N	Tapping Screw:4x35	57 - 103
0453 3006N	Tapping Screw - M3x6	27 - 103
0453 3006N	Tapping Screw - M3x6	21 - 101
0453 3006N	Tapping Screw - M3x6	13 - 102
0453 3006N	Tapping Screw - M3x6	7 - 101
0453 3006N	Tapping Screw - M3x6	23 - 104
0453 3006N	Tapping Screw - M3x6	9 - 104
0453 4006N	Binding Self Tapping Screw:4x6	13 - 103
0453 4006N	Binding Self Tapping Screw:4x6	27 - 104
0453 4006N	Binding Self Tapping Screw:4x6	7 - 102
0453 4006N	Binding Self Tapping Screw:4x6	9 - 103
0453 4006N	Binding Self Tapping Screw:4x6	25 - 102
0453 4006N	Binding Self Tapping Screw:4x6	11 - 102
0453 4006N	Binding Self Tapping Screw:4x6	23 - 103
0453 4006N	Binding Self Tapping Screw:4x6	29 - 104
0453 4006N	Binding Self Tapping Screw:4x6	21 - 102
0453 4006N	Binding Self Tapping Screw:4x6	15 - 103
0453 4008N	Binding Self Tapping Screw:4x8	57 - 104
0453 4008N	Binding Self Tapping Screw:4x8	61 - 102
0454 3006Q	Tapping Screw - M3x6	47 - 103
0454 4006Q	Tapping Screw:4x6	51 - 102
0454 4006Q	Tapping Screw:4x6	47 - 102
0454 4006Q	Tapping Screw:4x6	21 - 105
0454 4006Q	Tapping Screw:4x6	29 - 101
0454 4006Q	Tapping Screw:4x6	25 - 103
0454 4006Q	Tapping Screw:4x6	7 - 105
0454 4006Q	Tapping Screw:4x6	43 - 102
0454 4006Q	Tapping Screw:4x6	15 - 107
0454 4006Q	Tapping Screw:4x6	45 - 102
0454 4006Q	Tapping Screw:4x6	41 - 102

Part No.	Description	Page and Index No.
0454 4008N	Tapping Screw:Round Point:4x8	3 - 101
0454 4008Q	Tapping Screw - M4x8	27 - 102
0454 4008Q	Tapping Screw - M4x8	31 - 103
0454 4008Q	Tapping Screw - M4x8	41 - 101
0454 4008Q	Tapping Screw - M4x8	33 - 103
0454 4008Q	Tapping Screw - M4x8	35 - 102
0454 4008Q	Tapping Screw - M4x8	37 - 101
0454 4008Q	Tapping Screw - M4x8	39 - 101
0454 4008Q	Tapping Screw - M4x8	43 - 101
0454 4008Q	Tapping Screw - M4x8	51 - 101
0454 4008Q	Tapping Screw - M4x8	49 - 101
0454 4008Q	Tapping Screw - M4x8	17 - 102
0454 4008Q	Tapping Screw - M4x8	45 - 101
0454 4008Q	Tapping Screw - M4x8	19 - 102
0454 4008Q	Tapping Screw - M4x8	13 - 104
0454 4008Q	Tapping Screw - M4x8	59 - 102
0454 4008Q	Tapping Screw - M4x8	9 - 101
0454 4008Q	Tapping Screw - M4x8	15 - 101
0454 4008Q	Tapping Screw - M4x8	21 - 104
0454 4008Q	Tapping Screw - M4x8	7 - 104
0454 4008Q	Tapping Screw - M4x8	47 - 101
0454 4008Q	Tapping Screw - M4x8	23 - 101
0454 4008Q	Tapping Screw - M4x8	5 - 103
0573 0030E	Hexagon Headless Set Screw - M3x3	39 - 107
0633 0140G	Parallel Pin - 3x14	55 - 110
0633 0140G	Parallel Pin - 3x14	17 - 103
0633 0140G	Parallel Pin - 3x14	31 - 105
0701 0060N	Washer DIA6	55 - 109
0708 0060N	Washer:DIA6	41 - 106
0708 0060N	Washer:DIA6	49 - 106
0708 0080N	Washer-DIA8	55 - 108
0720 0030E	Retaining Ring - M3	7 - 108
0720 0030E	Retaining Ring - M3	9 - 109
0720 0030E	Retaining Ring - M3	13 - 107
0720 0030E	Retaining Ring - M3	23 - 107

Part No.	Description	Page and Index No.
0720 0030E	Retaining Ring - M3	27 - 107
0720 0030E	Retaining Ring - M3	21 - 108
0720 0040E	Retaining Ring - M4	29 - 105
0720 0040E	Retaining Ring - M4	23 - 106
0720 0040E	Retaining Ring - M4	37 - 103
0720 0040E	Retaining Ring - M4	39 - 102
0720 0040E	Retaining Ring - M4	5 - 105
0720 0040E	Retaining Ring - M4	49 - 104
0720 0040E	Retaining Ring - M4	21 - 107
0720 0040E	Retaining Ring - M4	47 - 105
0720 0040E	Retaining Ring - M4	15 - 105
0720 0040E	Retaining Ring - M4	41 - 105
0720 0040E	Retaining Ring - M4	7 - 107
0720 0040E	Retaining Ring - M4	19 - 103
0720 0040E	Retaining Ring - M4	9 - 108
0720 0040E	Retaining Ring - M4	27 - 106
0720 0040E	Retaining Ring - M4	13 - 106
0720 0060E	Retaining Ring - M6	43 - 104
0720 0060E	Retaining Ring - M6	45 - 108
0720 0060E	Retaining Ring - M6	41 - 104
0720 0060E	Retaining Ring - M6	49 - 103
0720 0060E	Retaining Ring - M6	47 - 104
0720 0060E	Retaining Ring - M6	37 - 102
0720 0060E	Retaining Ring - M6	61 - 104
0720 0060E	Retaining Ring - M6	35 - 103
0720 0060E	Retaining Ring - M6	51 - 104
0720 0060E	Retaining Ring - M6	5 - 104
0720 0060E	Retaining Ring - M6	33 - 102
0720 0060E	Retaining Ring - M6	31 - 102
0720 0060E	Retaining Ring - M6	11 - 103
0720 0060E	Retaining Ring - M6	25 - 104
0720 0060E	Retaining Ring - M6	55 - 104
0720 0060E	Retaining Ring - M6	17 - 104
0720 0060E	Retaining Ring - M6	19 - 104
0720 0080E	Retaining Ring - M8	21 - 106

Part No.	Description	Page and Index No.
0720 0080E	Retaining Ring - M8	9 - 107
0720 0080E	Retaining Ring - M8	13 - 105
0720 0080E	Retaining Ring - M8	7 - 106
0720 0080E	Retaining Ring - M8	23 - 105
0720 0080E	Retaining Ring - M8	27 - 105
0725 0120E	Retaining Ring C - M12	13 - 108
0725 0120E	Retaining Ring C - M12	27 - 108
0727 0080E	Retaining Ring - M8	55 - 105
0740 3008	Ball Bearing - 8x22x7	55 - 107
0740 3506	Ball Bearing - 6x12x4 mm	19 - 106
0740 3506	Ball Bearing - 6x12x4 mm	5 - 106
0741 3506	Ball Bearing - 6x12x4 mm	39 - 103
0741 3708	Ball Bearing - 8x12x3.5mm	37 - 104
0742 3808	Ball Bearing - 8x16x5	47 - 106
0742 3808	Ball Bearing - 8x16x5	51 - 105
0742 3808	Ball Bearing - 8x16x5	49 - 105
0742 3808	Ball Bearing - 8x16x5	55 - 106
0742 3808	Ball Bearing - 8x16x5	31 - 104
0742 3808	Ball Bearing - 8x16x5	43 - 105
0742 3808	Ball Bearing - 8x16x5	45 - 107
0742 3808	Ball Bearing - 8x16x5	19 - 105
0742 3808	Ball Bearing - 8x16x5	37 - 105
0742 3808	Ball Bearing - 8x16x5	17 - 105
0742 3808	Ball Bearing - 8x16x5	33 - 105
0742 3808	Ball Bearing - 8x16x5	5 - 107
0805 0088	Retaining Ring - M6	37 - 106
0951 4008N	Screw:Polished Round:M4x8	3 - 104
0954 4010N	Screw:Polished Round/Spring:M4x10	41 - 103
0954 4010N	Screw:Polished Round/Spring:M4x10	57 - 105
0954 4010N	Screw:Polished Round/Spring:M4x10	49 - 107
0954 4010N	Screw:Polished Round/Spring:M4x10	3 - 105
1102 9785	Connector:55949-1819	35 - 104
1105 0008	Nylon Clamp - 2N	33 - 110
1105 0022	Cord Stopper - AWG 18/16 UL	57 - 106
1105 0194	PCB Stud	57 - 107

Part No.	Description	Page and Index No.
1105 0487	Harness Clamp	17 - 107
1105 0487	Harness Clamp	33 - 106
1105 0488	Harness Clamp	61 - 106
1105 0489	Harness Clamp - LWS 1316	57 - 110
1105 0508	Harness Clamp - LWS-0711	57 - 111
1105 0508	Harness Clamp - LWS-0711	55 - 111
1105 0511	Harness Clamp - LWS-0306ZC	13 - 110
1105 0511	Harness Clamp - LWS-0306ZC	21 - 109
1105 0511	Harness Clamp - LWS-0306ZC	45 - 106
1105 0511	Harness Clamp - LWS-0306ZC	47 - 107
1105 0511	Harness Clamp - LWS-0306ZC	7 - 109
1105 0511	Harness Clamp - LWS-0306ZC	9 - 106
1105 0511	Harness Clamp - LWS-0306ZC	57 - 109
1105 0511	Harness Clamp - LWS-0306ZC	43 - 106
1105 0511	Harness Clamp - LWS-0306ZC	39 - 105
1105 0511	Harness Clamp - LWS-0306ZC	33 - 107
1105 0511	Harness Clamp - LWS-0306ZC	23 - 109
1105 0511	Harness Clamp - LWS-0306ZC	51 - 106
1105 0511	Harness Clamp - LWS-0306ZC	37 - 107
1105 0511	Harness Clamp - LWS-0306ZC	17 - 108
1105 0515	Harness Clamp - RLWS-3T(VO)	61 - 105
1105 0516	Clamp	15 - 106
1105 0518	Edge Saddle - LES-1010	33 - 109
1105 0518	Edge Saddle - LES-1010	17 - 106
1105 0521	Clamp - LES-1017	57 - 112
1105 0522	Edge Saddle - LES0510	39 - 106
1105 0522	Edge Saddle - LES0510	9 - 105
1105 0522	Edge Saddle - LES0510	23 - 108
1105 0522	Edge Saddle - LES0510	47 - 108
1105 0522	Edge Saddle - LES0510	27 - 109
1105 0522	Edge Saddle - LES0510	13 - 109
1105 0522	Edge Saddle - LES0510	33 - 108
1105 0534	Clamp	39 - 104
1105 0641	Clamp	57 - 108
1204 2382	Interlock Switch - FA1L-CA22	59 - 103

Part No.	Description	Page and Index No.
5201 2858	Friction Pad	11 - 9
5201 2858	Friction Pad	25 - 9
5215 2621	Snap Ring - M6	51 - 30
5447 2681	Snap Ring	3 - 20
5447 2706	Gear - 15T	37 - 12
6754 2866	Roller - Positioning Guide	13 - 18
6754 2866	Roller - Positioning Guide	27 - 18
6754 2866	Roller - Positioning Guide	41 - 11
6754 2866	Roller - Positioning Guide	47 - 18
6754 2866	Roller - Positioning Guide	49 - 19

Part No.	Description	Page and Index No.
----------	-------------	--------------------