

SERVICE PARTS LIST

LCIT

RT5030

P

LCIT RT5030 (D452)

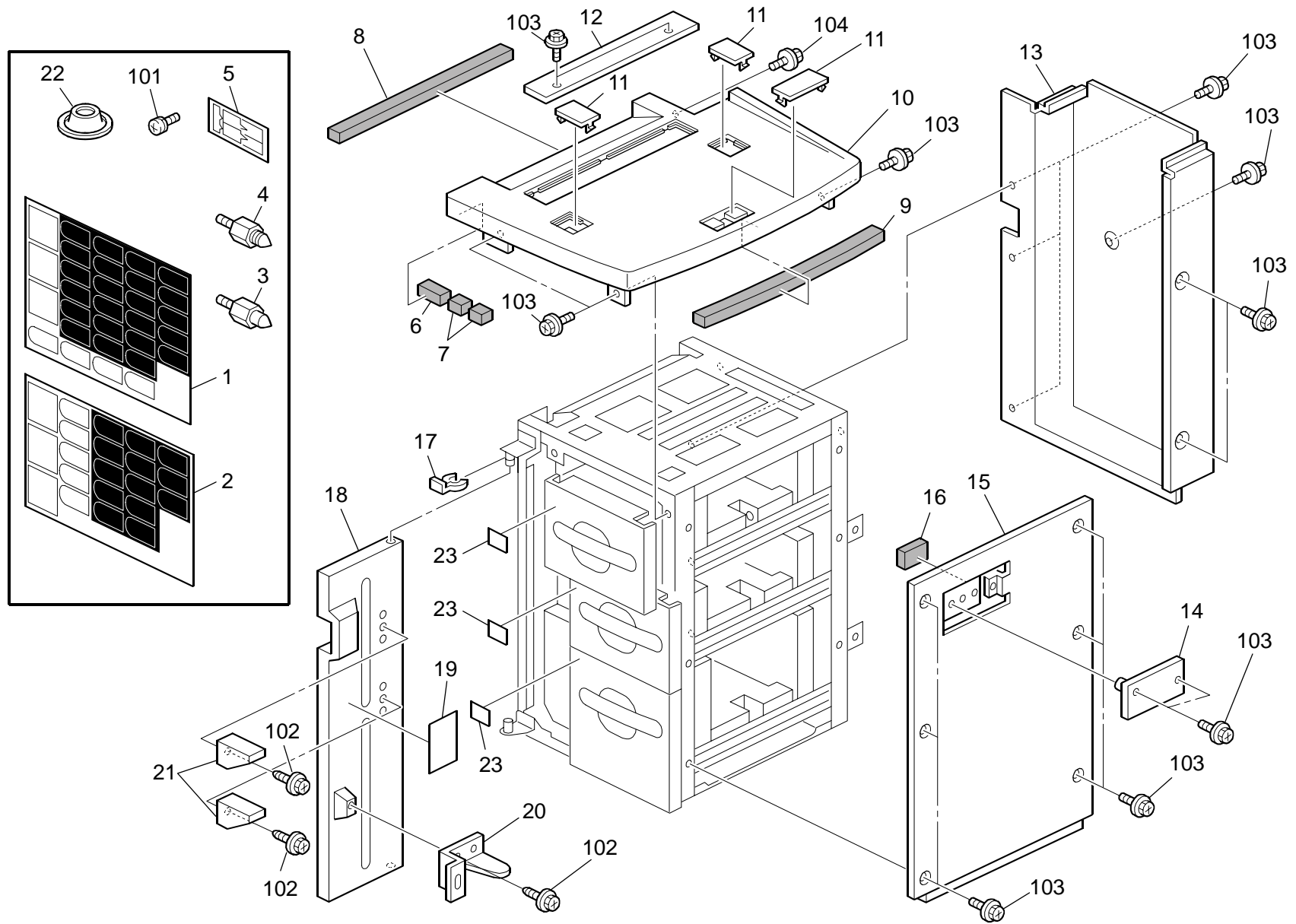
PARTS CATALOG

This catalog gives the numbers and names of parts on this machine.

1.Exterior 1 (D452)	2	19.Frame Section 1 (D452).....	38
2.Exterior 2 (D452)	4	20.Frame Section 2 (D452).....	40
3.Tray 4/5 Unit 1 (D452)	6	Parts Index.....	44
4.Tray 4/5 Unit 2 (D452)	8		
5.Tray 4/5 Unit 3 (D452)	10		
6.Tray 6 Unit 1 (D452)	12		
7.Tray 6 Unit 2 (D452)	14		
8.Tray 6 Unit 3 (D452)	16		
9.Paper Feed Unit 1 (D452)	18		
10.Paper Feed Unit 2 (D452)	20		
11.Paper Feed Unit 3 (D452)	22		
12.Paper Transfer 1 (D452).....	24		
13.Paper Transfer 2 (D452).....	26		
14.Paper Transfer 3 (D452).....	28		
15.Paper Transfer 4 (D452).....	30		
16.Drive Section (D452)	32		
17.Electrical Section 1 (D452)	34		
18.Electrical Section 2 (D452)	36		

July 20, 2010

1.Exterior 1 (D452)

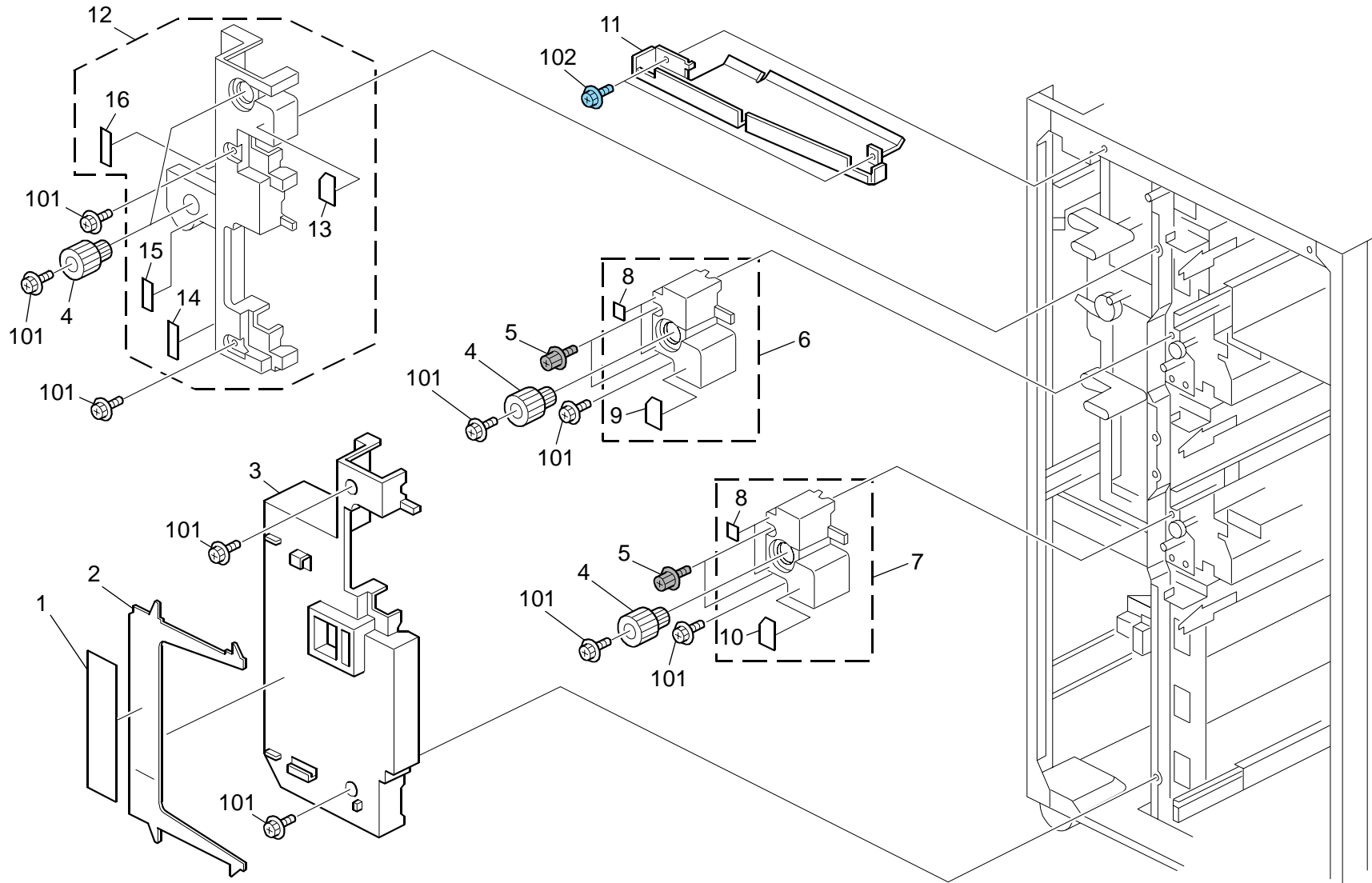


1.Exterior 1 (D452)

Index No.	Part No.	Description	Q'ty Per Assembly
1	D453 1309	Decal:Size Indication:Multi-language:2	1
2	D453 1308	Decal:Size Indication:Multi-language:1	1
3	B832 1101	Positioning Pin - Lower	2
4	B832 1100	Positioning Pin - Upper	2
5	B070 1307	Decal:Paper Set Direction	1
6	B832 1374	Cover Cushion - Front Left	1
7	B832 1376	Cover Cushion - Front Middle	2
8	B832 1371	Spacer Cushion	1
9	B832 1372	Cover Cushion - Right	1
10	B511 1370	Cover:Upper	1
11	B024 1365	Cap - 38x77	3
12	B511 1378	Cover:Cover:Upper	1
13	D452 1340	Cover:Rear:Ass'y	1
14	B511 1386	Cover:Right:Key Counter	1
15	B511 1385	Cover:Right	1
16	B832 2729	Tray Cushion	1
17	5447 2681	Snap Ring	1
18	B511 1360	Cover:Left	1
19	B832 1309	Decal - Misfeed Removal	1
20	B832 1368	Cover Magnet Catch - Left	1
21	B832 1595	Door Cover - Small	1
22	B132 1226	Holder:Stand	3
23	D452 1310	Decal:Paper Tray:LCT	1

Index No.	Part No.	Description	Q'ty Per Assembly
101	0954 4010N	Screw:Polished Round/Spring:M4x10	
102	0450 4008N	Tapping Screw - M4x8	
103	0454 4008N	Tapping Screw:Round Point:4x8	
104	0451 4012N	Tapping Screw:4x12	

2.Exterior 2 (D452)

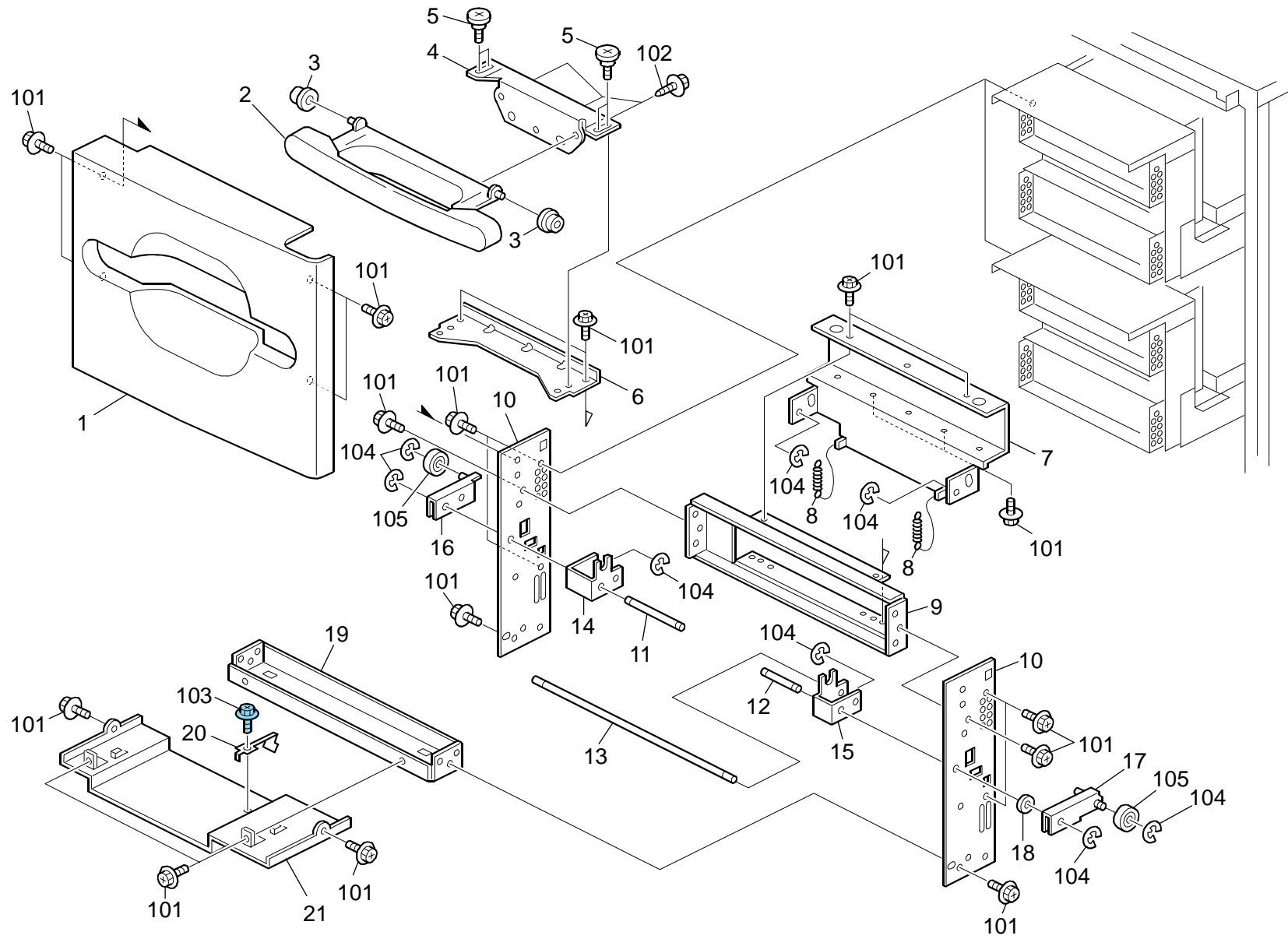


2.Exterior 2 (D452)

Index No.	Part No.	Description	Q'ty Per Assembly
1	D452 1344	Decal:End Fence:Tab	1
2	B511 2785	End Fence:Tab	1
3	D452 1391	Inner Cover:Paper Feed:Lower	1
4	AG05 0067	Knob - Transport Roller	4
5	B234 2390	Flanged Hexagonal Head Bolt:M4x8	4
6	D452 1394	Inner Cover:Paper Feed Unit:Upper	1
7	D452 1395	Inner Cover:Paper Feed Unit:Lower	1
8	D453 1335	Decal:TCRU	4
9	D452 1318	Decal:Knob:U4	1
10	D452 1319	Decal:Knob:U5	1
11	B832 1373	Cover - Upper Front	1
12	D452 1461	Inner Cover:Paper Feed:Upper	1
13	D452 1316	Decal:Knob:U2	1
14	B834 1331	Decal - Misfeed Removal (U1)	1
15	B832 1333	Decal - Misfeed Removal (U7)	1
16	D452 1332	Decal:Misfeed Removal:U3	1

Index No.	Part No.	Description	Q'ty Per Assembly
101	0451 4008N	Tapping Screw:4x8	
102	0454 4008Q	Tapping Screw - M4x8	

3.Tray 4/5 Unit 1 (D452)

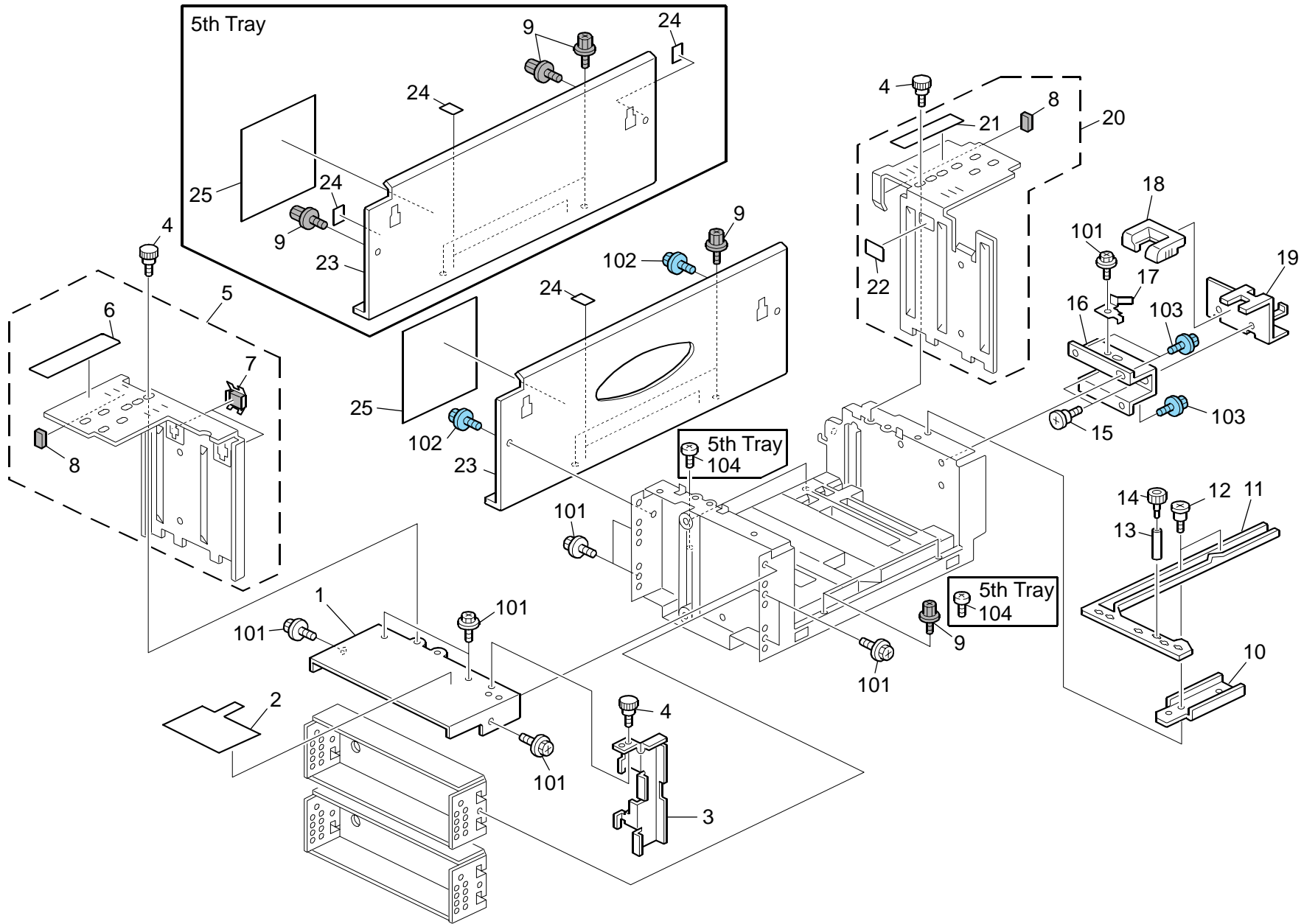


3.Tray 4/5 Unit 1 (D452)

Index No.	Part No.	Description	Q'ty Per Assembly
1	D452 1381	Cover:Tray:S	2
2	D452 1385	Grip:Paper Tray:Front Rear:Ass'y	2
3	B834 3312	Collar	4
4	D355 2751	Plate:Grip:Joint	2
5	AA14 3852	Screw	4
6	B834 3376	Plate:Handle	2
7	B834 3475	Bracket	2
8	H516 3666	Spring - 19.6mm	4
9	D452 3283	Stay:Main	2
10	D452 3495	Plate:Operation Sub-unit:No.4	4
11	D452 3382	Shaft:Contact Point:Left	2
12	D452 3383	Shaft:Contact Point:Right	2
13	D452 3438	Shaft:Link:Pierce	2
14	D452 3380	Arm:Swivel:Left	2
15	D452 3381	Arm:Swivel:Right	2
16	D452 3402	Guide:Stopper:Left:Peen	2
17	D452 3412	Guide:Stopper:Right:Peen	2
18	G178 4525	Washer:DIA5.5xDIA16x2	2
19	D452 3378	Stay:Auxiliary	2
20	B511 2896	Stopper:End Fence:No.5	2
21	D452 2826	Cover:Tray:Lower	2

Index No.	Part No.	Description	Q'ty Per Assembly
101	0451 4008N	Tapping Screw:4x8	
102	0450 4008N	Tapping Screw - M4x8	
103	0454 4008Q	Tapping Screw - M4x8	
104	0720 0040E	Retaining Ring - M4	
105	0740 3506	Ball Bearing - 6x12x4 mm	

4.Tray 4/5 Unit 2 (D452)

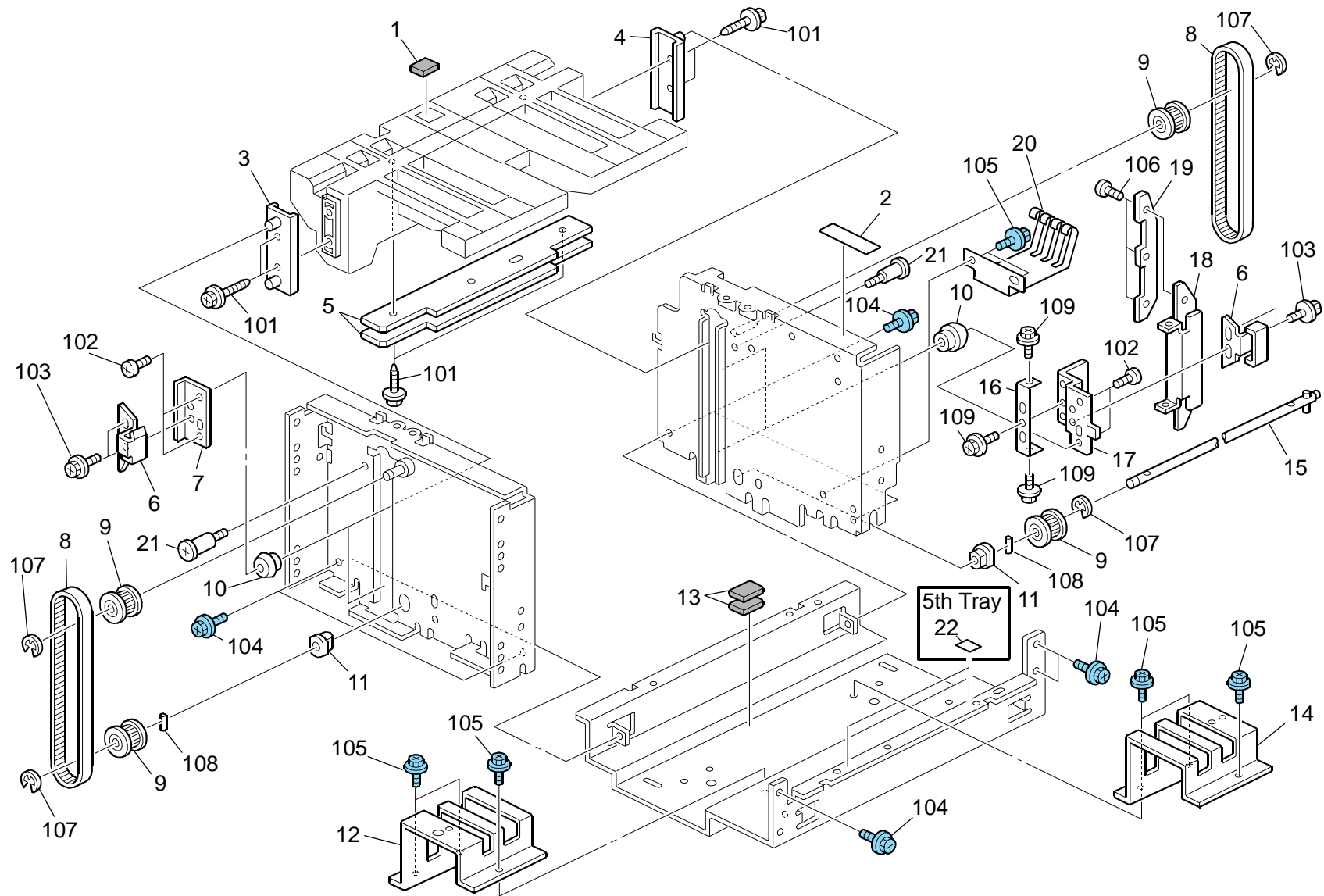


4.Tray 4/5 Unit 2 (D452)

Index No.	Part No.	Description	Q'ty Per Assembly
1	D452 2823	Cover:Tray:Upper	2
2	D452 1341	Decal:End Fence:Size Indication:4-5	2
3	B511 2852	End Fence:Front:1K	2
4	B832 2877	Knob Screw:Tray:Guide:Green	6
5	B303 2871	Side Fence:Front:No.1_2:Ass'y	2
6	B832 1304	Decal - Side Fence Front	2
7	B303 2777	Paper Guide Mylar	4
8	B303 2645	Noise Absorber Seal - 16.5x4.2x3	4
9	B234 2390	Flanged Hexagonal Head Bolt:M4x8	8
10	D452 2783	Bracket:End Fence	2
11	B832 2660	End Fence Slider	2
12	AA14 3857	Screw - M4x5	4
13	B511 2788	Silicone Tube:End Fence	2
14	B832 2787	Knob Screw:End Fence:Press Fit	2
15	AA14 3562	Screw:M4:DIA6x1.2	4
16	B511 2886	Sensor Bracket	2
17	B303 2898	Spring Plate	2
18	B832 2888	Grip:Paper Size Sensor Board	2
19	B511 2897	Paper Size Actuator	2
20	B511 2875	Side Fence:Rear:No.1_2:Ass'y	2
21	B832 1305	Decal - Side Fence Rear	2
22	B511 2674	Decal:Display:Paper Volume	2
23	D452 2821	Guide Plate:Front:Duplex Tray	1
23	D452 2831	Guide Plate:Front:Tray:No.5	1
24	D453 1335	Decal:TCRU	6
25	D452 1343	Decal:Paper:Supply:4-5	2

Index No.	Part No.	Description	Q'ty Per Assembly
101	0451 4008N	Tapping Screw:4x8	
102	0454 4008Q	Tapping Screw - M4x8	
103	0454 4006Q	Tapping Screw:4x6	
104	0453 4008N	Binding Self Tapping Screw:4x8	

5.Tray 4/5 Unit 3 (D452)

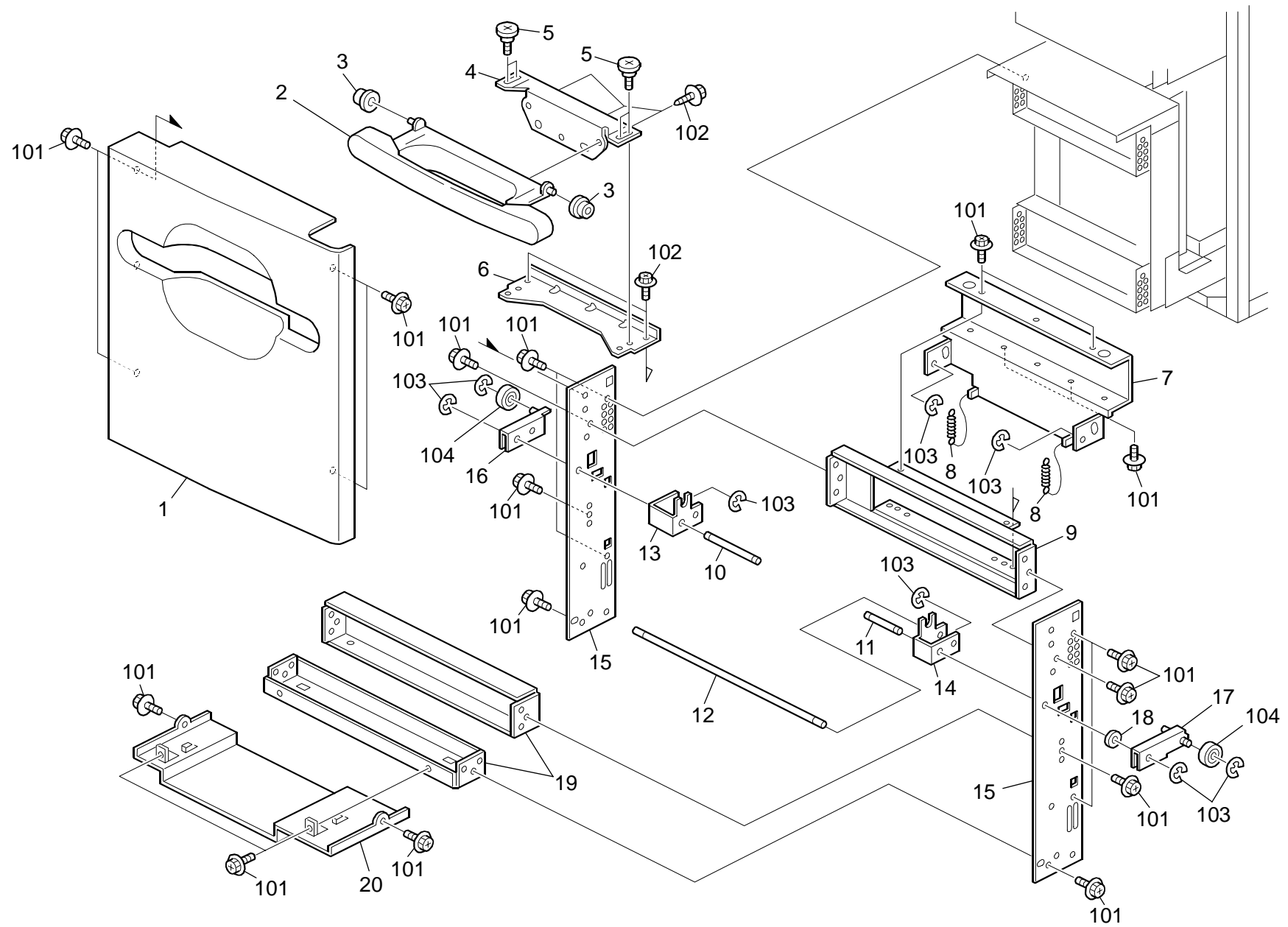


5.Tray 4/5 Unit 3 (D452)

Index No.	Part No.	Description	Q'ty Per Assembly
1	A667 2656	Friction Pad	2
2	B303 1303	Decal - Paper Size	2
3	B511 2439	Bracket:Paper Tray:Front	2
4	B511 2438	Bracket:Paper Tray:Rear	2
5	B511 2737	Weight Plate	4
6	B543 2660	Bracket:Fix:Belt	2
7	B511 2742	Bracket	2
8	AA04 3910	Timing Belt - B100S5M435	4
9	AB03 0548	Pulley - 16T	8
10	A335 4351	Guide Roller	8
11	AA08 2096	Bushing - 8x12x7	4
12	B511 2728	Side Fence Stay - Front	2
13	B832 2729	Tray Cushion	4
14	B511 2729	Side Fence Stay - Rear	2
15	B303 2851	Paper Lift Shaft - 1K	2
16	B832 2757	Spring Plate	2
17	B511 2752	Bracket	2
18	B511 2747	Paper Actuator	2
19	B303 2748	Actuator Cover	2
20	B303 2723	Grounding Plate	2
21	AA14 3139	Shoulder Screw - Pressure Arm	4
22	D453 1335	Decal:TCRU	4

Index No.	Part No.	Description	Q'ty Per Assembly
101	0450 4014N	Tapping Screw:4x14	
102	0354 0060N	Screw-M4x6	
103	0451 3008N	Tapping Screw - M3x8	
104	0454 4008Q	Tapping Screw - M4x8	
105	0454 4006Q	Tapping Screw:4x6	
106	0314 0040N	Pan Head Screw - M4x4	
107	0720 0060E	Retaining Ring - M6	
108	0633 0140G	Parallel Pin - 3x14	
109	0451 4008N	Tapping Screw:4x8	

6.Tray 6 Unit 1 (D452)

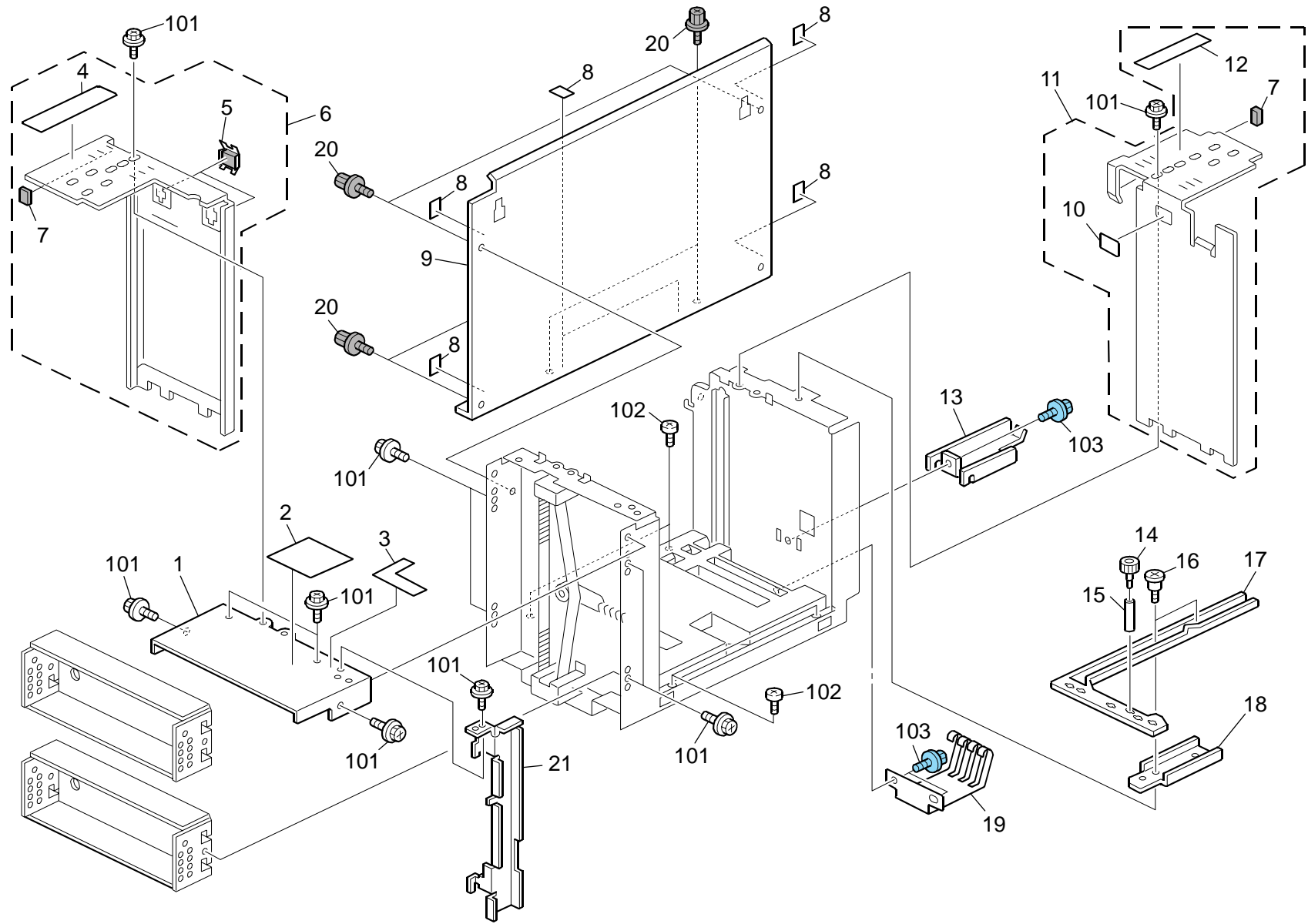


6.Tray 6 Unit 1 (D452)

Index No.	Part No.	Description	Q'ty Per Assembly
1	D452 1382	Cover:Tray:L	1
2	D452 1385	Grip:Paper Tray:Front Rear:Ass'y	1
3	B834 3312	Collar	2
4	D355 2751	Plate:Grip:Joint	1
5	AA14 3852	Screw	4
6	B834 3376	Plate:Handle	1
7	B834 3475	Bracket	1
8	H516 3666	Spring - 19.6mm	2
9	D452 3283	Stay:Main	1
10	D452 3382	Shaft:Contact Point:Left	1
11	D452 3383	Shaft:Contact Point:Right	1
12	D452 3438	Shaft:Link:Pierce	1
13	D452 3380	Arm:Swivel:Left	1
14	D452 3381	Arm:Swivel:Right	1
15	D452 3395	Plate:Operation Sub-unit:No.6	2
16	D452 3402	Guide:Stopper:Left:Peen	1
17	D452 3412	Guide:Stopper:Right:Peen	1
18	G178 4525	Washer:DIA5.5xDIA16x2	1
19	D452 3378	Stay:Auxiliary	2
20	D452 2826	Cover:Tray:Lower	1

Index No.	Part No.	Description	Q'ty Per Assembly
101	0451 4008N	Tapping Screw:4x8	
102	0450 4008N	Tapping Screw - M4x8	
103	0720 0040E	Retaining Ring - M4	
104	0740 3506	Ball Bearing - 6x12x4 mm	

7.Tray 6 Unit 2 (D452)

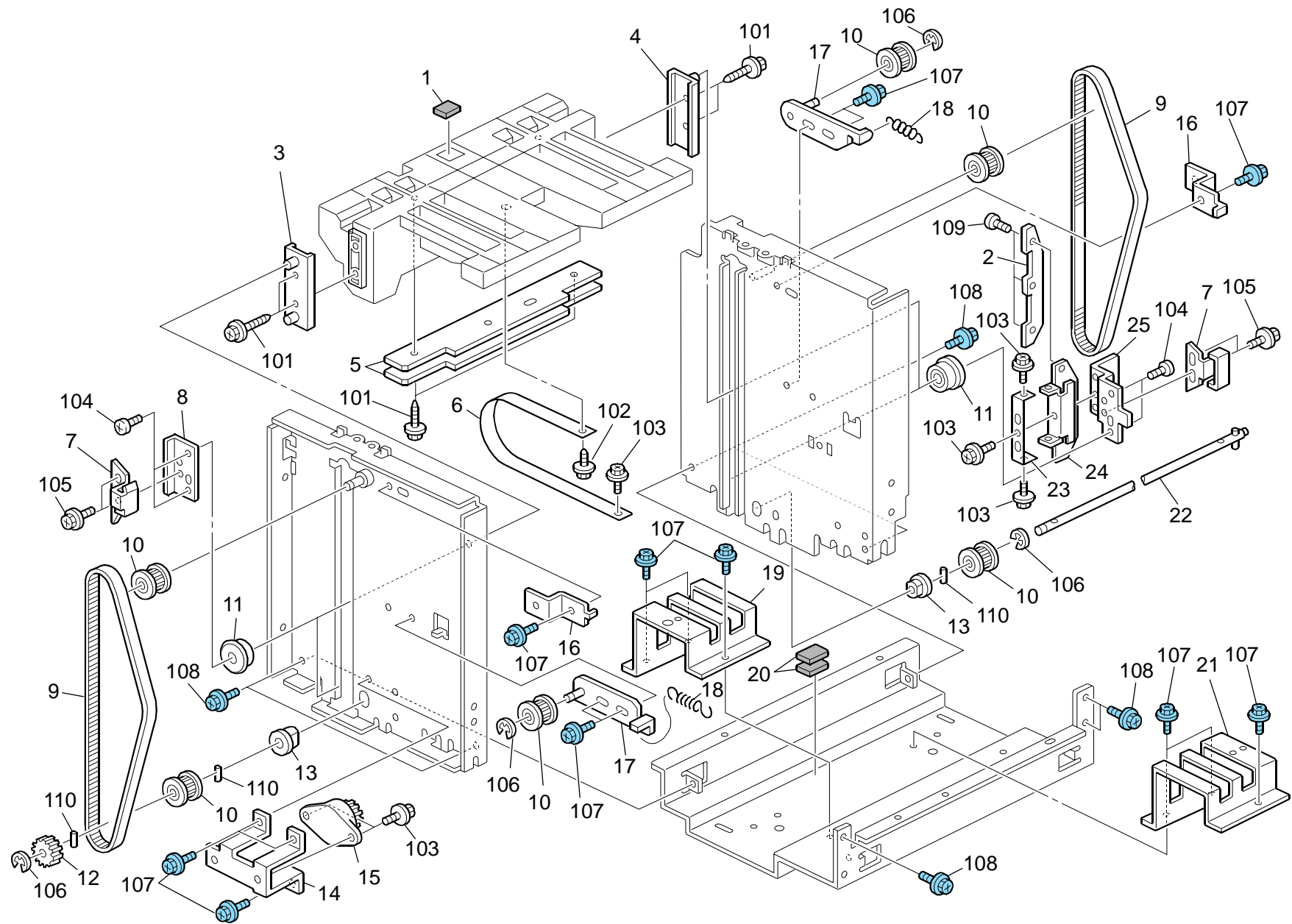


7.Tray 6 Unit 2 (D452)

Index No.	Part No.	Description	Q'ty Per Assembly
1	D452 2823	Cover:Tray:Upper	1
2	D452 1311	Decal:Paper:Supply:6	1
3	B511 1342	Decal - End Fence Size Indication 6	1
4	B832 1304	Decal - Side Fence Front	1
5	B303 2777	Paper Guide Mylar	2
6	B511 2769	Side Fence:Front:No.3:Ass'y	1
7	B303 2645	Noise Absorber Seal - 16.5x4.2x3	2
8	D453 1335	Decal:TCRU	6
9	D452 2721	Guide Plate:Front:Tray:No.6	1
10	B511 2674	Decal:Display:Paper Volume	1
11	B511 2774	Side Fence:Rear:No.3:Ass'y	1
12	B832 1305	Decal - Side Fence Rear	1
13	B511 2727	Sensor Bracket	1
14	B832 2787	Knob Screw:End Fence:Press Fit	1
15	B511 2788	Silicone Tube:End Fence	1
16	AA14 3857	Screw - M4x5	2
17	B832 2660	End Fence Slider	1
18	D452 2783	Bracket:End Fence	1
19	B303 2723	Grounding Plate	1
20	B234 2390	Flanged Hexagonal Head Bolt:M4x8	6
21	B511 2857	End Fence:Front:2.5K	1

Index No.	Part No.	Description	Q'ty Per Assembly
101	0451 4008N	Tapping Screw:4x8	
102	0453 4008N	Binding Self Tapping Screw:4x8	
103	0454 4006Q	Tapping Screw:4x6	

8.Tray 6 Unit 3 (D452)

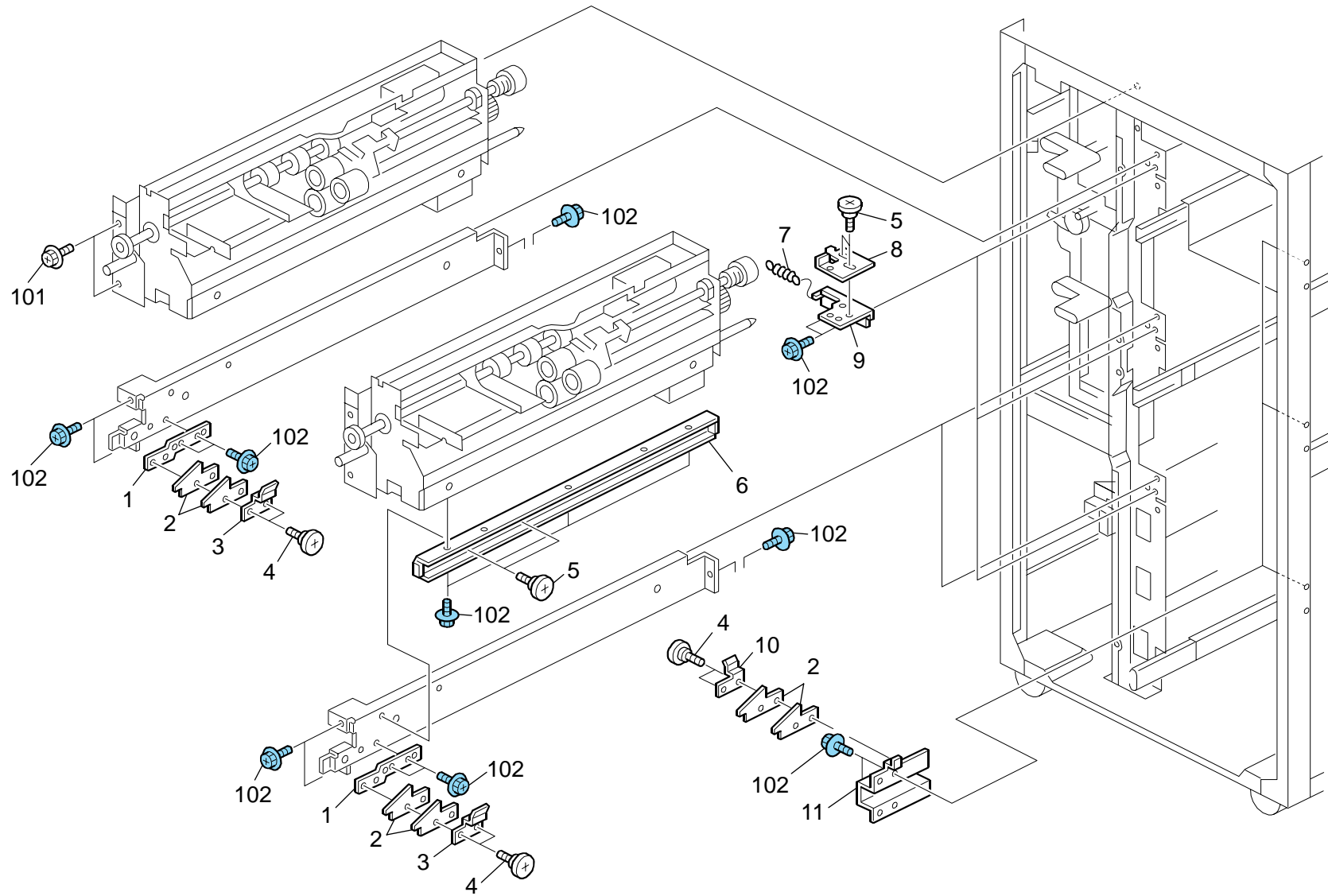


8.Tray 6 Unit 3 (D452)

Index No.	Part No.	Description	Q'ty Per Assembly
1	A667 2656	Friction Pad	1
2	B303 2748	Actuator Cover	1
3	B511 2439	Bracket:Paper Tray:Front	1
4	B511 2438	Bracket:Paper Tray:Rear	1
5	B511 2737	Weight Plate	2
6	B303 2734	Paper Stopper	1
7	B543 2660	Bracket:Fix:Belt	2
8	B511 2742	Bracket	1
9	AA04 3909	Timing Belt - B100S5M780	2
10	AB03 0548	Pulley - 16T	6
11	A335 4351	Guide Roller	2
12	AB01 4140	Gear - 24Z	1
13	AA08 2096	Bushing - 8x12x7	2
14	B511 2793	Oil Damper Bracket	1
15	B303 2791	Oil Dumper	1
16	B511 2736	Side Plate Bracket	2
17	B511 2761	Tightener Bracket	2
18	A267 2787	Tension Spring - Lock Lever	2
19	B511 2728	Side Fence Stay - Front	1
20	B832 2729	Tray Cushion	2
21	B511 2729	Side Fence Stay - Rear	1
22	B303 2751	Paper Lift Shaft - 2.5K	1
23	B832 2757	Spring Plate	1
24	B511 2747	Paper Actuator	1
25	B511 2752	Bracket	1

Index No.	Part No.	Description	Q'ty Per Assembly
101	0450 4014N	Tapping Screw:4x14	
102	0450 4010N	Tapping Screw:M4x10	
103	0451 4008N	Tapping Screw:4x8	
104	0354 0060N	Screw-M4x6	
105	0451 3008N	Tapping Screw - M3x8	
106	0720 0060E	Retaining Ring - M6	
107	0454 4006Q	Tapping Screw:4x6	
108	0454 4008Q	Tapping Screw - M4x8	
109	0314 0040N	Pan Head Screw - M4x4	
110	0633 0140G	Parallel Pin - 3x14	

9. Paper Feed Unit 1 (D452)

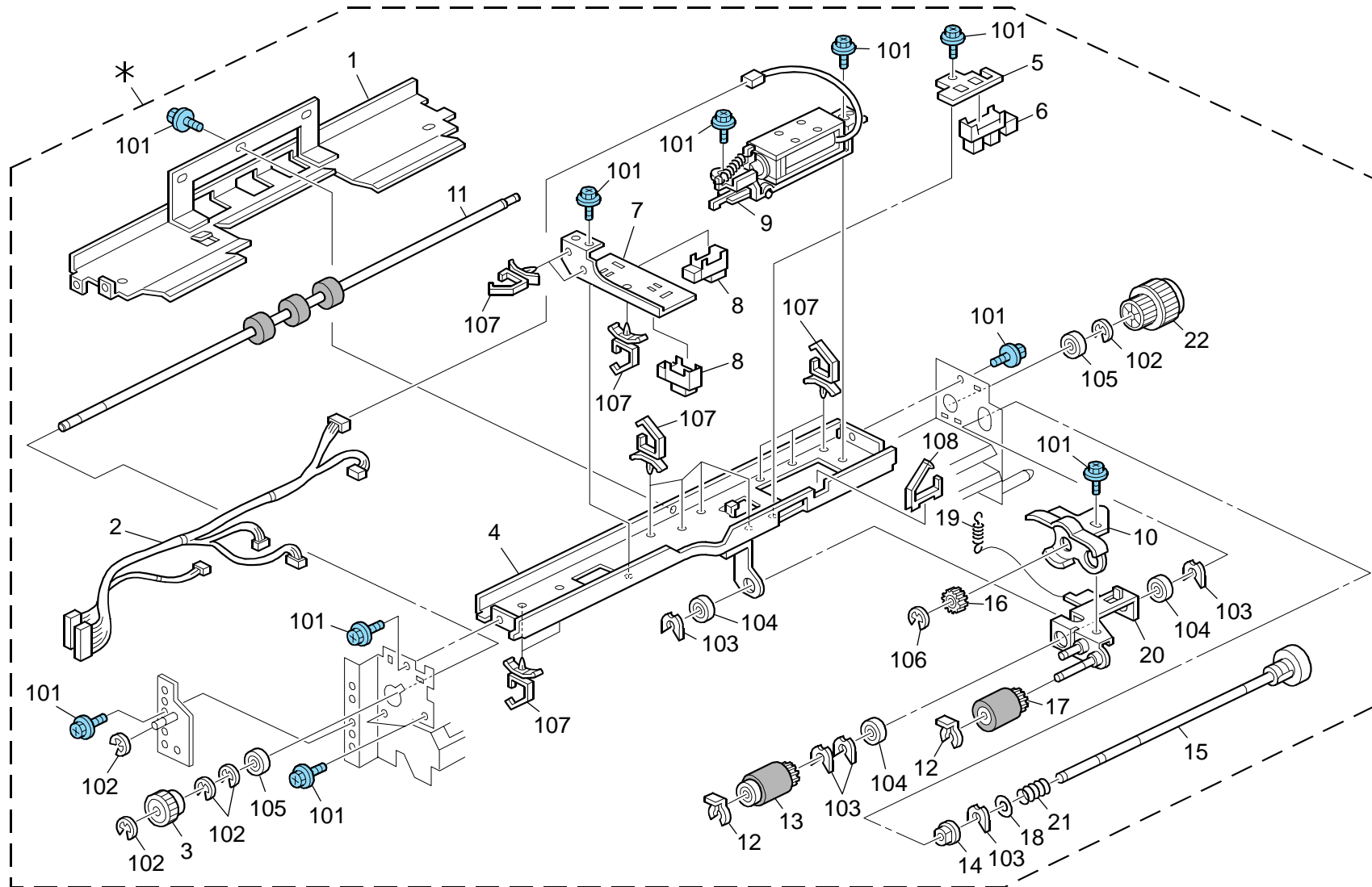


9.Paper Feed Unit 1 (D452)

Index No.	Part No.	Description	Q'ty Per Assembly
1	B834 3442	Stopper Holder - Left	3
2	B834 3443	Stopper Holder	12
3	B834 1056	Guide:Lock:Left:Tray	3
4	B834 3460	Screw	12
5	AA14 3560	Stepped Screw - M4	10
6	D452 2558	Bracket:Rail:Paper Feed Unit	2
7	D452 1094	Tension Spring:Lock:Tray	3
8	D452 1093	Plate:Lock:Tray	3
9	D452 1092	Stopper:Lock:Tray	3
10	B834 1055	Guide:Lock:Right:Tray	3
11	D452 1041	Bracket:Stopper:Tray:Right	3

Index No.	Part No.	Description	Q'ty Per Assembly
101	0451 4008N	Tapping Screw:4x8	
102	0454 4008Q	Tapping Screw - M4x8	

10.Paper Feed Unit 2 (D452)

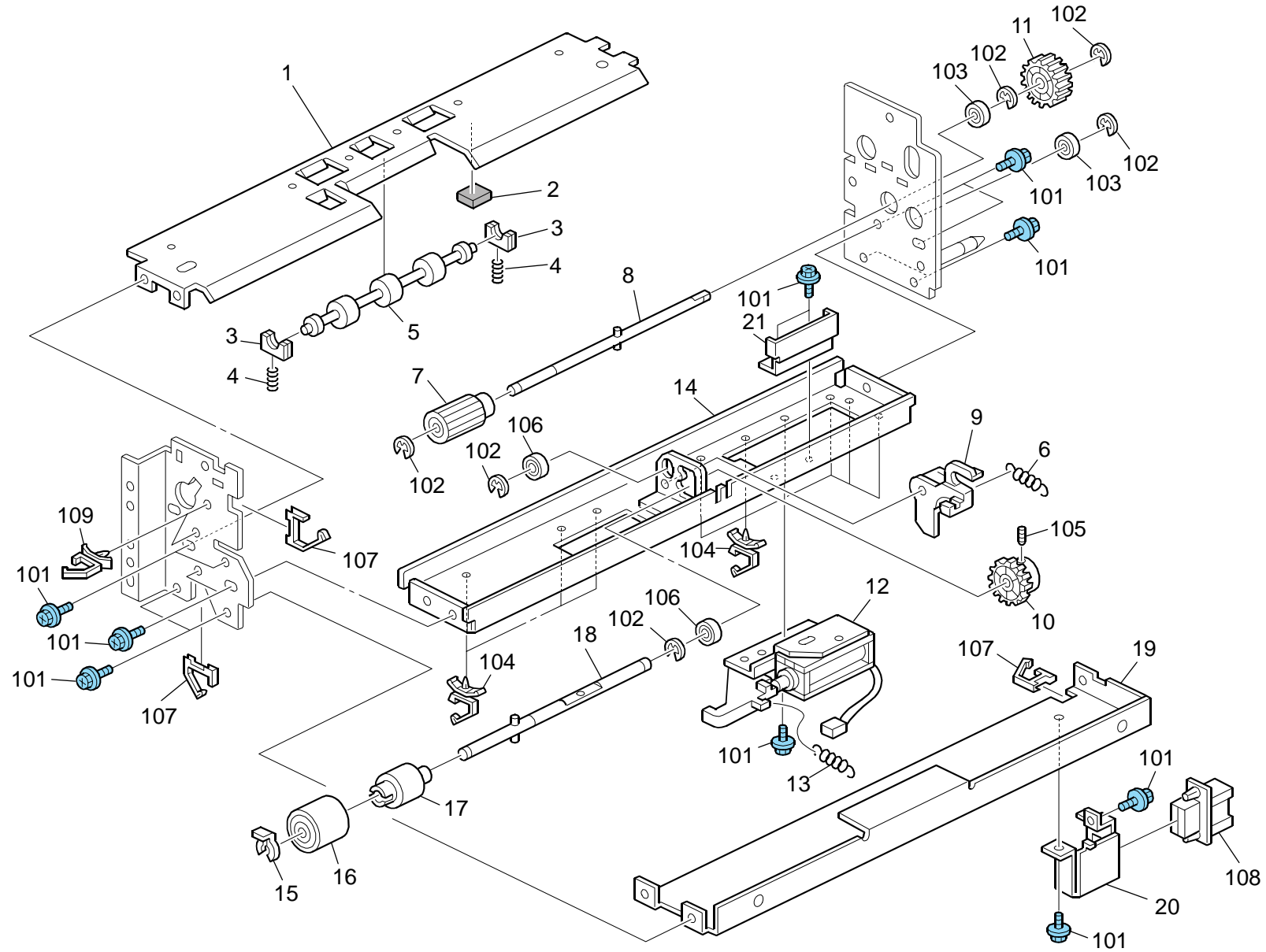


10.Paper Feed Unit 2 (D452)

Index No.	Part No.	Description	Q'ty Per Assembly
*	D452 2500	Paper Feed Unit:Ass'y	3
1	D452 2545	Guide Plate:Feed:Ass'y	1
2	D452 5313	Harness:Paper Feed Unit:Ass'y	1
3	AB01 1478	Gear - 18Z	1
4	D452 2530	Stay:Feed:Peen	1
5	B511 2677	Sensor Bracket	1
6	AW02 0145	Photointerruptor:Flat	1
7	D452 2579	Bracket:Photo Refiection Sensor	1
8	AW01 0107	Paper Feed Sensor	2
9	D452 2578	Swing Unit:Pickup Roller:Ass'y	1
10	D452 2573	Cover:Paper Feed Roller	1
11	AF02 1410	Transport Roller	1
12	D059 2620	Retaining Rings-C	2
13	AF03 1081	Paper Feed Roller:Feed:Manual Feed	1
14	AA08 3015	Roller Clutch	1
15	D453 2585	Shaft:Feed Roller:Ass'y	1
16	5447 2706	Gear - 15T	1
17	AF03 0080	Paper Feed Roller:Pickup	1
18	B132 4119	Spacer:Gear:Idler	1
19	AA06 6677	Tension Spring	1
20	D452 2574	Arm:Pickup	1
21	AA06 3204	Compression Spring	1
22	AB01 7724	Gear - 23Z/28Z	1

Index No.	Part No.	Description	Q'ty Per Assembly
101	0454 4008Q	Tapping Screw - M4x8	
102	0720 0060E	Retaining Ring - M6	
103	0805 0088	Retaining Ring - M6	
104	0741 3708	Ball Bearing - 8x12x3.5mm	
105	0742 3808	Ball Bearing - 8x16x5	
106	0720 0040E	Retaining Ring - M4	
107	1105 0511	Harness Clamp - LWS-0306ZC	
108	1105 0522	Edge Saddle - LES0510	

11.Paper Feed Unit 3 (D452)

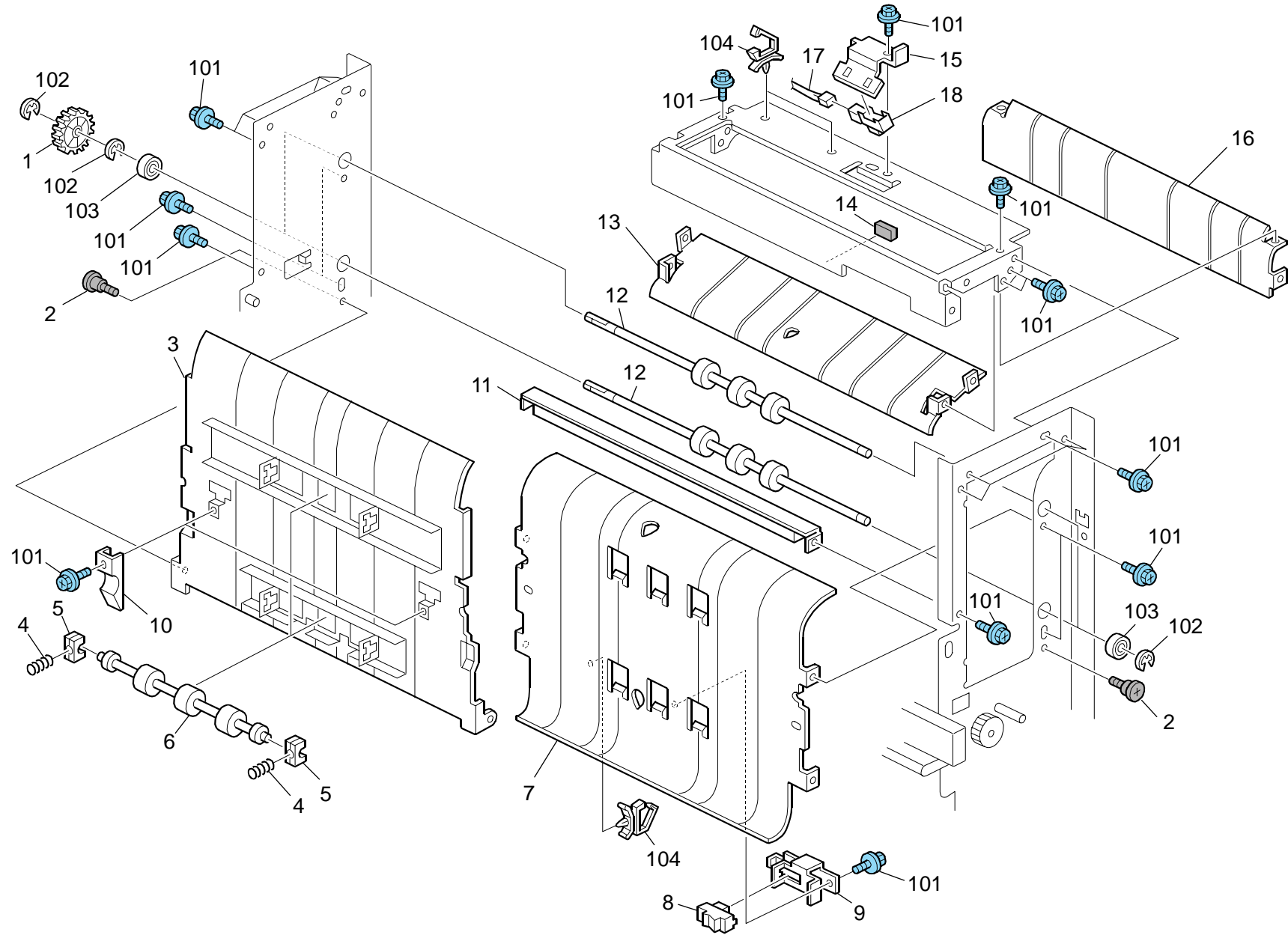


11.Paper Feed Unit 3 (D452)

Index No.	Part No.	Description	Q'ty Per Assembly
1	B832 2535	Reverse Guide Plate	1
2	A229 2692	Damping Insulation	1
3	AA08 4059	Ball Bearing Holder	2
4	B833 2565	Compression Spring	2
5	B834 2568	Transport Roller - Driven	1
6	B833 2567	Tension Spring	1
7	AB01 1392	Drive Reverse Gear - 24Z	1
8	B234 6222	Reverse Drive Shaft	1
9	B303 2556	Reverse Pressure Lever	1
10	AB01 1591	Gear:Reverse	1
11	BB01 3008	Gear - 31Z	1
12	B832 2558	DC Solenoid 24V	1
13	AA06 0575	Release Spring	1
14	B832 2541	Stay	1
15	D059 2620	Retaining Rings-C	1
16	AF03 2080	Paper Feed Roller:Separate	1
17	B234 6301	Torque Limiter:75mN m	1
18	B234 6223	Driven Reverse Shaft	1
19	D452 2557	Bracket:Guard:DC Solenoid:Reverse	1
20	D452 2555	Bracket:Drawer:Paper Feed Unit	1
21	D452 2549	Bracket:Guard:Gear:Reverse	1

Index No.	Part No.	Description	Q'ty Per Assembly
101	0454 4008Q	Tapping Screw - M4x8	
102	0720 0040E	Retaining Ring - M4	
103	0741 3706	Ball Bearing - 6x10x3	
104	1105 0534	Clamp	
105	0573 0030E	Hexagon Headless Set Screw - M3x3	
106	0741 3506	Ball Bearing - 6x12x4 mm	
107	1105 0522	Edge Saddle - LES0510	
108	1102 9785	Connector:55949-1819	
109	1105 0511	Harness Clamp - LWS-0306ZC	

12.Paper Transfer 1 (D452)

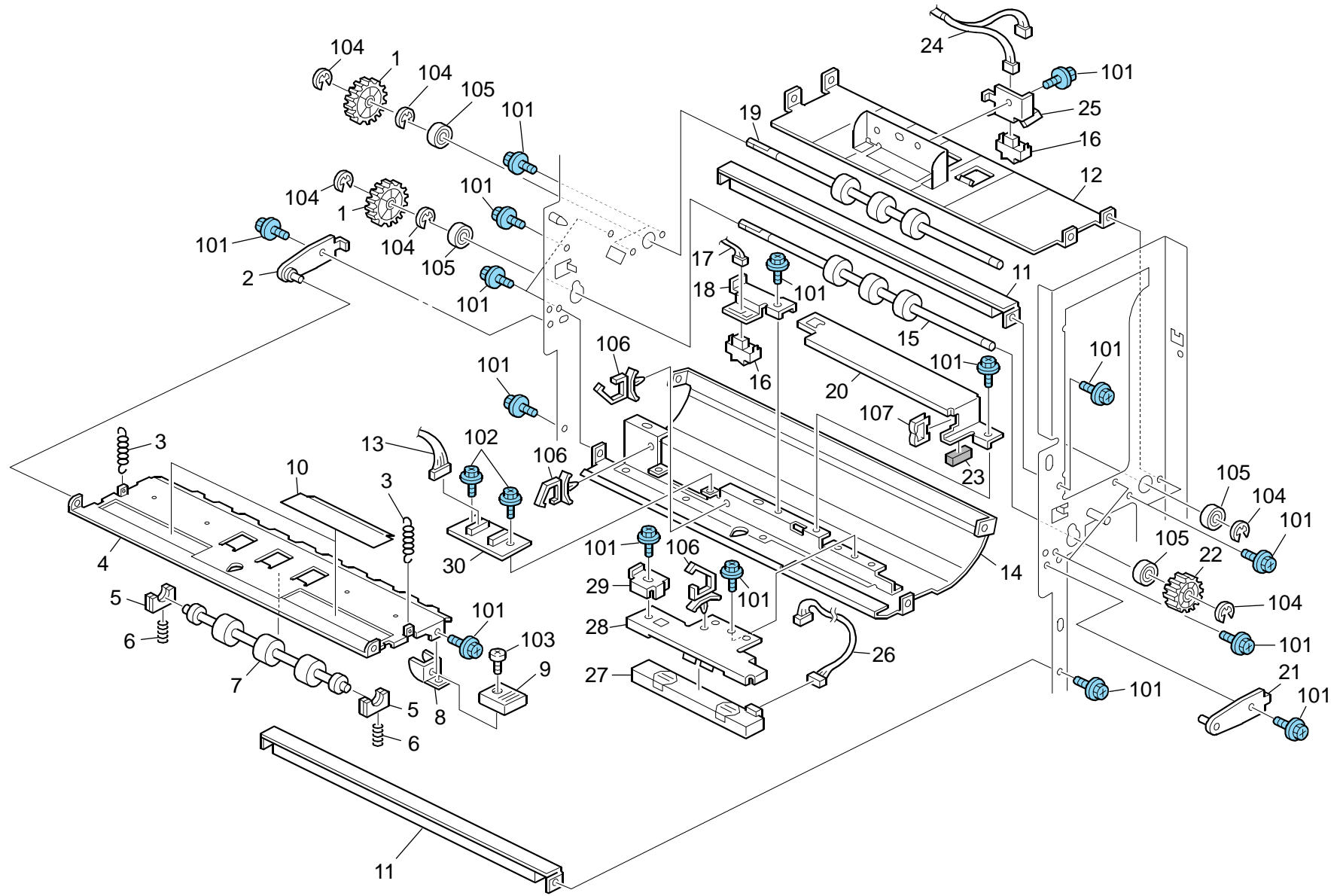


12.Paper Transfer 1 (D452)

Index No.	Part No.	Description	Q'ty Per Assembly
1	AB01 3654	Gear - 30Z	1
2	D355 3897	Screw:M4:3M	2
3	D452 3890	Guide Plate:Upper	1
4	AA06 6675	Compression Spring	4
5	AA08 4059	Ball Bearing Holder	4
6	B834 2568	Transport Roller - Driven	2
7	B832 3687	Guide Plate - Upper Right	1
8	AW01 0122	Paper Feed Sensor	1
9	B832 3883	Sensor Bracket	1
10	D355 3828	Holder:Stay:Guide Plate	2
11	B511 3817	Stay:Misfeed Removal:Stopper	1
12	AF02 1412	Drive Transport Roller - CW	2
13	B511 3302	Guide Plate - Lower	1
14	B832 3909	Bracket Cushion	1
15	B832 3656	Transport Sensor Bracket No.4	1
16	B511 3306	Guide Plate - 7	1
17	D452 5353	Harness:Sensor:F1:Transport:Ass'y	1
18	AW01 0118	Paper Feed Sensor	1

Index No.	Part No.	Description	Q'ty Per Assembly
101	0454 4008Q	Tapping Screw - M4x8	
102	0720 0060E	Retaining Ring - M6	
103	0742 3808	Ball Bearing - 8x16x5	
104	1105 0511	Harness Clamp - LWS-0306ZC	

13.Paper Transfer 2 (D452)

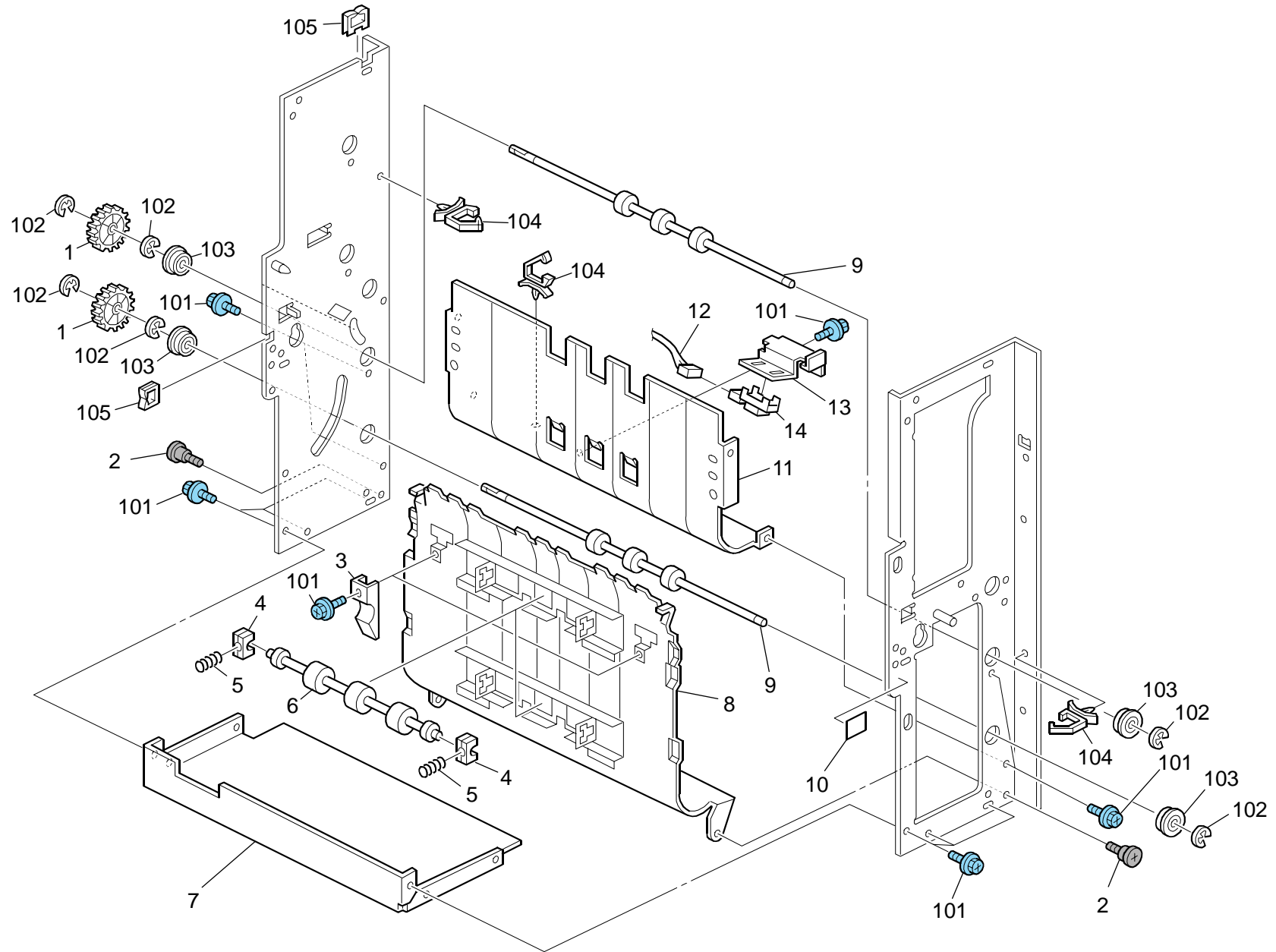


13.Paper Transfer 2 (D452)

Index No.	Part No.	Description	Q'ty Per Assembly
1	AB01 3654	Gear - 30Z	2
2	B832 3950	Contact Point Bracket - Rear	1
3	AA06 6680	Spring	2
4	B832 3920	Guide Plate - Lower	1
5	AA08 4059	Ball Bearing Holder	2
6	AA06 6675	Compression Spring	2
7	B834 2568	Transport Roller - Driven	1
8	B511 3637	Lever	1
9	A353 2243	Lever Knob	1
10	B832 3925	Sheet - Registration Sensor	2
11	B511 3817	Stay: Misfeed Removal: Stopper	1
12	B832 3688	Entrance Guide Plate - Middle Upper	1
13	D452 5351	Harness: Interface: CRB	1
14	B832 3930	Exit Guide Plate - Middle Upper	1
15	AF02 1413	Drive Transport Roller - Connecting	1
16	AW01 0122	Paper Feed Sensor	2
17	D452 5354	Harness: Sensor: Exit	1
18	B832 3915	Cover - Paper Feed Sensor	1
19	AF02 1412	Drive Transport Roller - CW	1
20	B832 3911	PCB Cover	1
21	B832 3940	Contact Point Bracket	1
22	AB01 4152	Gear - 32Z	1
23	B832 3909	Bracket Cushion	1
24	D452 5352	Harness: Sensor: Middle: Transport: Ass'y	1
25	B832 3654	Transport Sensor Stay - Entrance	1
26	D452 5359	Harness: Line Sensor	1
27	B234 2750	Contact Image Sensor	1
28	B832 3685	Sensor Bracket	1
29	B832 3745	Registration Sensor Bracket Holder	1
30	B234 5280	PCB CRB	1

Index No.	Part No.	Description	Q'ty Per Assembly
101	0454 4008Q	Tapping Screw - M4x8	
102	0454 3008Q	Tapping Screw: 3x8	
103	0313 0040N	Screw: M3x4	
104	0720 0060E	Retaining Ring - M6	
105	0742 3808	Ball Bearing - 8x16x5	
106	1105 0511	Harness Clamp - LWS-0306ZC	
107	1105 0692	Clamp: LES-0503	

14. Paper Transfer 3 (D452)

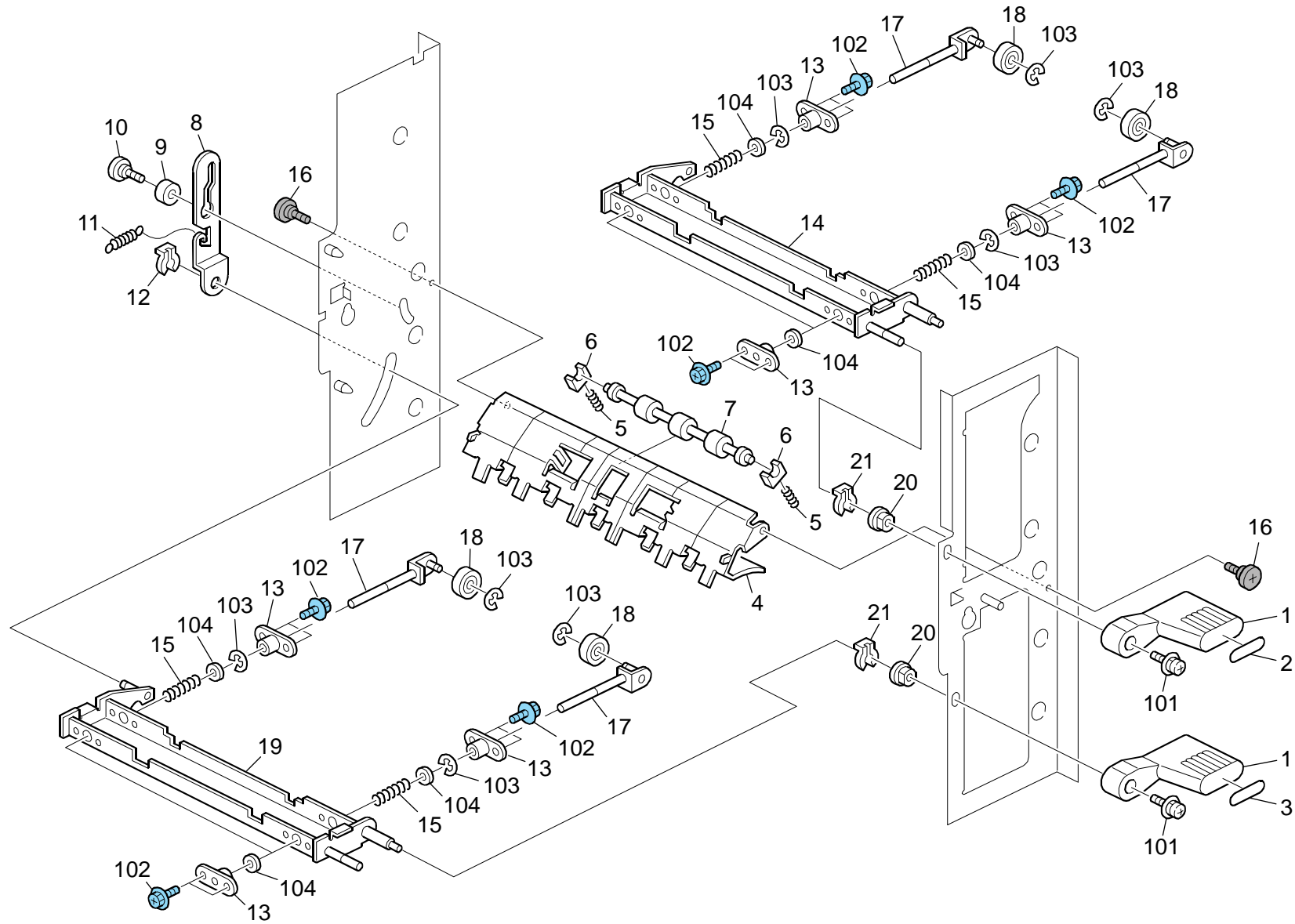


14.Paper Transfer 3 (D452)

Index No.	Part No.	Description	Q'ty Per Assembly
1	AB01 3654	Gear - 30Z	2
2	D355 3897	Screw:M4:3M	2
3	D355 3828	Holder:Stay:Guide Plate	2
4	AA08 4059	Ball Bearing Holder	4
5	AA06 6675	Compression Spring	4
6	B834 2568	Transport Roller - Driven	2
7	B303 3830	Upper Support Stay	1
8	D452 3894	Guide Plate:Lower Left	1
9	AF02 1411	Drive Transport Roller - CCW	2
10	B832 1320	Decal - Knob (U6)	1
11	B832 3689	Guide Plate - Lower Right	1
12	D452 5356	Harness:Sensor:F3:Transport	1
13	B832 3655	Transport Sensor Bracket No.6	1
14	AW01 0118	Paper Feed Sensor	1

Index No.	Part No.	Description	Q'ty Per Assembly
101	0454 4008Q	Tapping Screw - M4x8	
102	0720 0060E	Retaining Ring - M6	
103	0742 3808	Ball Bearing - 8x16x5	
104	1105 0511	Harness Clamp - LWS-0306ZC	
105	1105 0692	Clamp:LES-0503	

15.Paper Transfer 4 (D452)



15.Paper Transfer 4 (D452)

Index No.	Part No.	Description	Q'ty Per Assembly
1	B303 3682	Misfeed Removal Knob	2
2	B303 1306	Decal - Instruction	1
3	B303 1307	Decal - Instruction	1
4	B511 3621	Guide Plate - Link	1
5	AA06 6675	Compression Spring	2
6	AA08 4059	Ball Bearing Holder	2
7	B834 2568	Transport Roller - Driven	1
8	B511 3680	Linkage Bracket	1
9	B303 3685	Link Spacer	1
10	5408 2035	Stepped Screw - M4	1
11	AA06 6670	Tension Spring	1
12	5447 2681	Snap Ring	1
13	D355 3844	Shoe:Handle:Release	4
14	D452 3820	Stay:Handle:Release:Upper:Peen	1
15	D355 3896	Compression Spring:Guide Plate:27N	4
16	D355 3897	Screw:M4:3M	2
17	D453 3818	Stud:Handle:Release:Peen	4
18	6754 2866	Roller - Positioning Guide	4
19	D452 3822	Stay:Handle:Release:Lower:Peen	1
20	AA08 2070	Bushing - 8x16x7	2
21	5215 2621	Snap Ring - M6	2

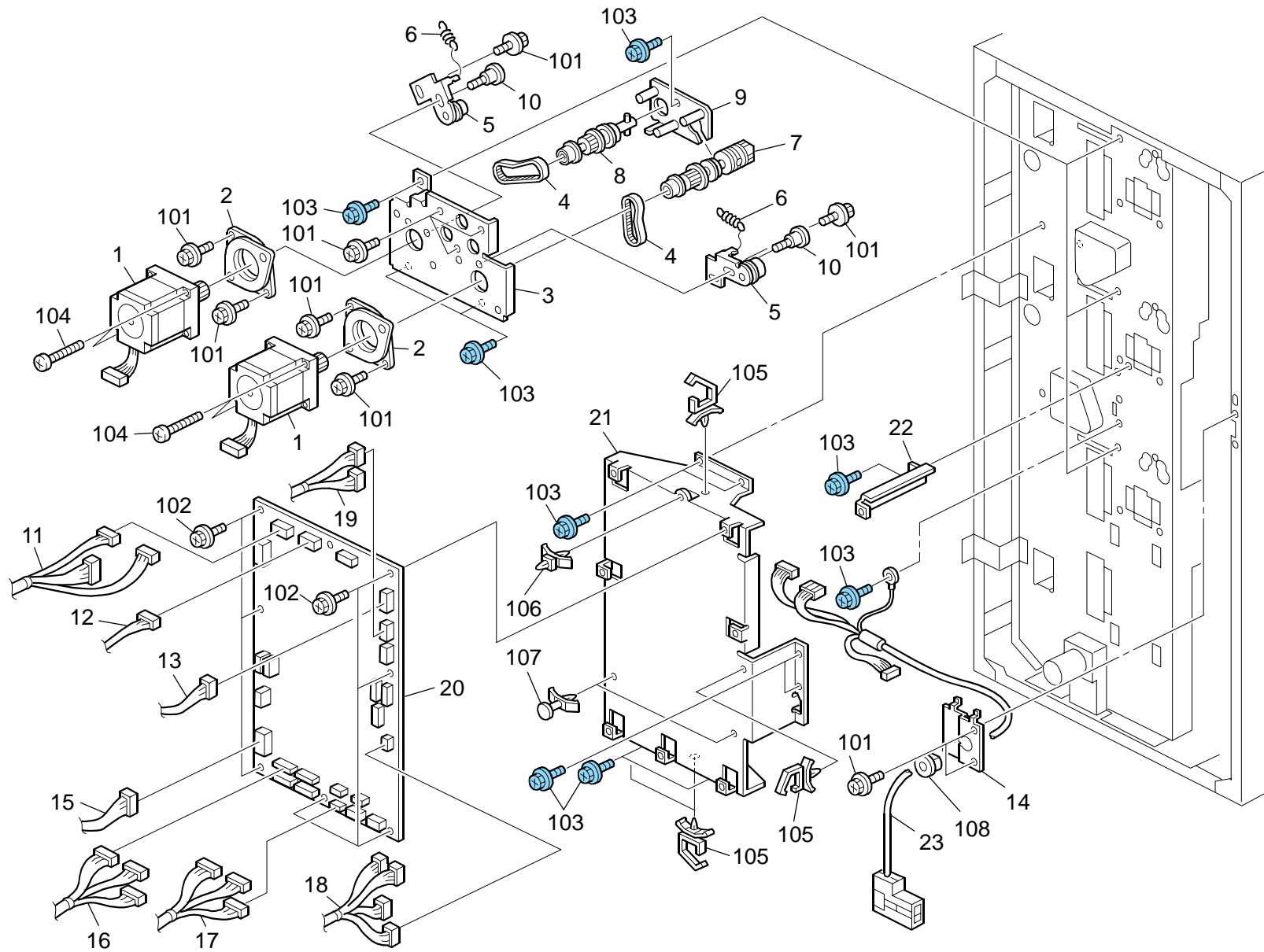
Index No.	Part No.	Description	Q'ty Per Assembly
101	0954 4010N	Screw:Polished Round/Spring:M4x10	
102	0454 4008Q	Tapping Screw - M4x8	
103	0720 0040E	Retaining Ring - M4	
104	0708 0060N	Washer:DIA6	

16. Drive Section (D452)

Index No.	Part No.	Description	Q'ty Per Assembly
1	AX04 0158	Stepper Motor DC2.64V 6.3W	4
2	B832 3510	Heat Sink	4
3	A232 4666	Cushion - Stepper Motor	4
4	AA14 3810	Development Cover Screw	6
5	B832 3585	Bracket:Drive:Upper:Peen	1
6	B832 3575	Drive Bracket - Entrance	1
7	B832 3595	Drive Bracket - Exit	1
8	B832 3565	Drive Bracket - Lower	1
9	AA04 2551	Timing Belt - S2M128	3
10	AB03 2725	Timing Pulley - 25T/30Z	5
11	B832 3775	Tension Bracket	2
12	AB03 0665	Idler Pulley - 18Z	4
13	B234 6508	Tension Spring	3
14	B832 3785	Tension Bracket - Lower	2
15	AA06 6670	Tension Spring	1
16	AA04 2552	Timing Belt - B60S2M176	1
17	AB03 2726	Gear - 30Z	1
18	D452 5358	Harness:Connecting:Sensor	1

Index No.	Part No.	Description	Q'ty Per Assembly
101	0720 0060E	Retaining Ring - M6	
102	0451 4008N	Tapping Screw:4x8	
103	0360 3006N	Screw - M3x6	
104	0454 4008Q	Tapping Screw - M4x8	
105	0454 4006Q	Tapping Screw:4x6	
106	1105 0511	Harness Clamp - LWS-0306ZC	

17.Electrical Section 1 (D452)

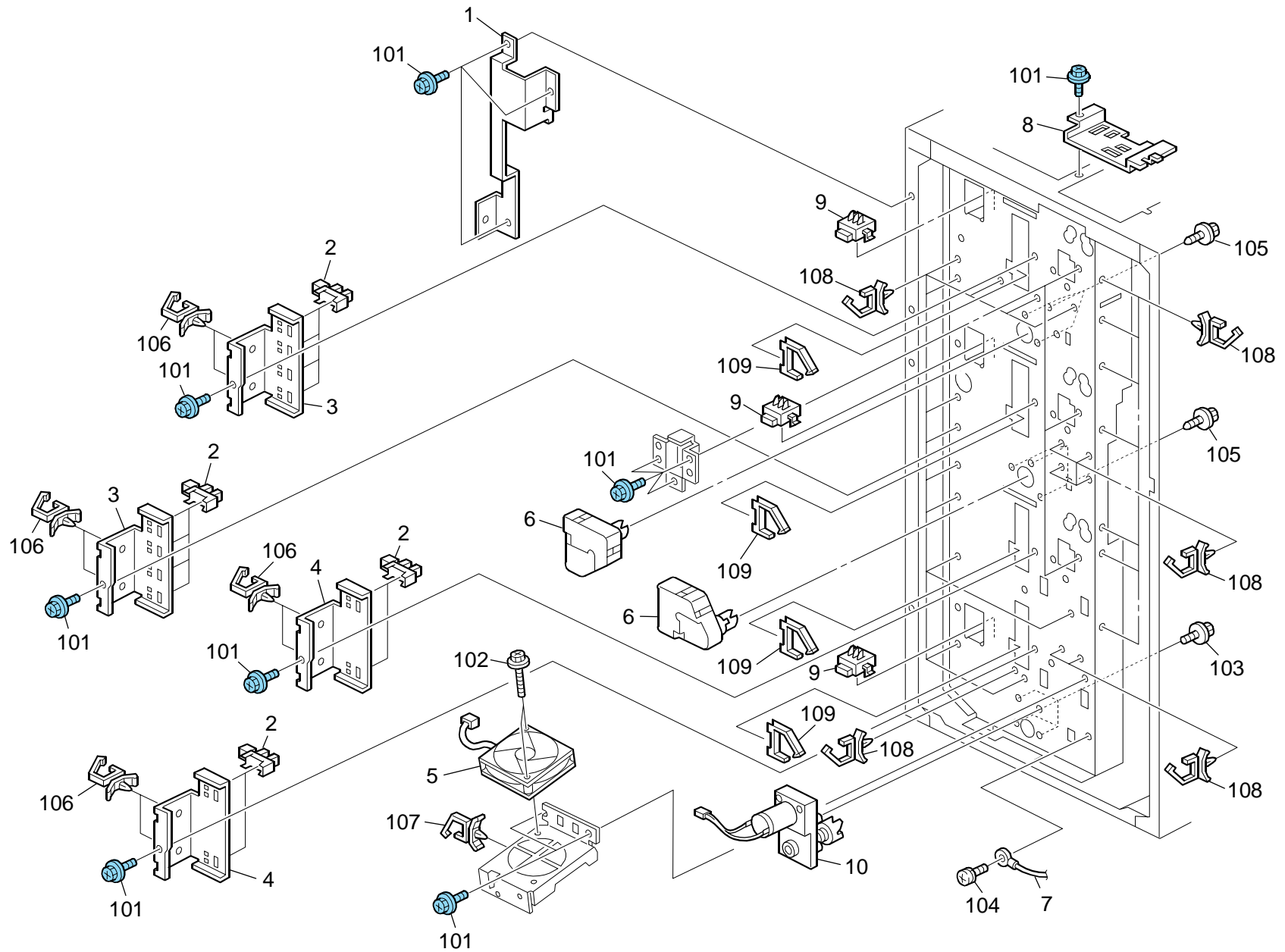


17.Electrical Section 1 (D452)

Index No.	Part No.	Description	Q'ty Per Assembly
1	AX04 0157	Stepper Motor DC1.68V 6.7W	6
2	AA16 1122	Motor Cushion	6
3	B832 1725	Drive Bracket - Paper Feed Unit	3
4	AA04 2550	Timing Belt - S2M138	6
5	B832 1750	Tension Bracket	6
6	B234 6508	Tension Spring	6
7	B832 1730	Drive Shaft - Grip	3
8	B832 1740	Drive Shaft - Paper Feed	3
9	B832 1718	Drive Bracket	3
10	AA14 3562	Screw:M4:DIA6x1.2	6
11	D452 5321	Harness:Paper Volume Sensor:F2F3	1
12	D452 5320	Harness:Paper Volume Sensor:F1	1
13	D452 5300	Harness:Dc Stepper Motor:F1	1
14	B832 1060	Bracket:Power Supply Cord	1
15	D452 5350	Harness:Interface:Sensor	1
16	D452 5310	Harness:Interface:Paper Feed Unit	1
17	D452 5331	Harness:Safety Switch	1
18	D452 5332	Harness:Interface:Aleutian	1
19	D452 5301	Harness:Dc Stepper Motor:F2F3	1
20	D452 5052	PCB:A4:Large Capacity Tray	1
21	D452 1089	Bracket:PWB	1
22	B511 1595	Stay:Cover:Rear	1
23	D452 5330	Harness:Interface:Main:Ass'y	1

Index No.	Part No.	Description	Q'ty Per Assembly
101	0451 4008N	Tapping Screw:4x8	
102	0451 3006N	Tapping Screw - 3x6	
103	0454 4008Q	Tapping Screw - M4x8	
104	0314 0080N	Philips Pan Head Screw - M4x8	
105	1105 0489	Harness Clamp - LWS 1316	
106	1105 0194	PCB Stud	
107	1105 0641	Clamp	
108	1106 0101	Cord Stopper (110/115V)	

18. Electrical Section 2 (D452)

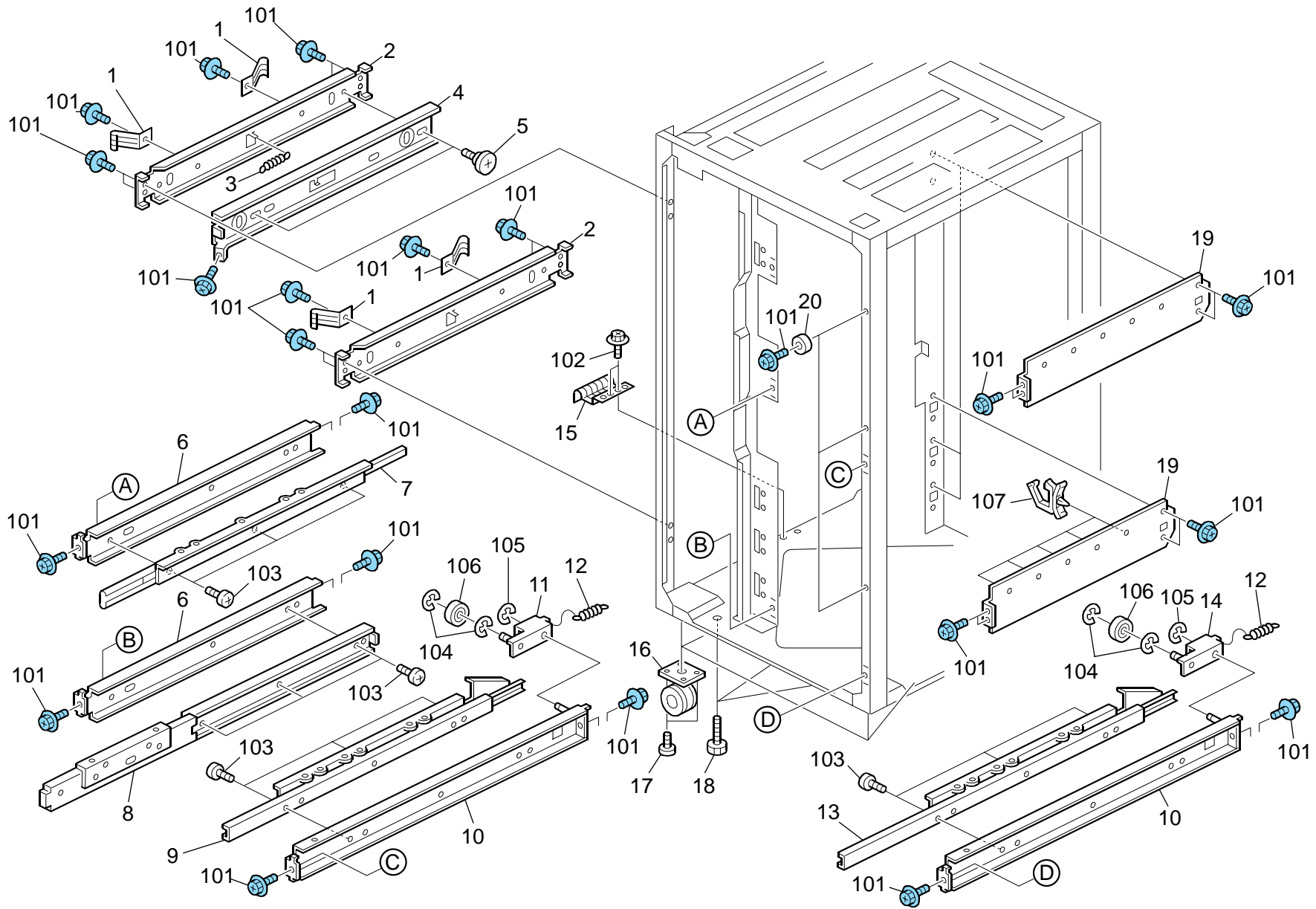


18.Electrical Section 2 (D452)

Index No.	Part No.	Description	Q'ty Per Assembly
1	D452 1047	Bracket:Guard:Base	1
2	AW02 0145	Photointerruptor:Flat	12
3	B303 1181	Sensor Bracket	2
4	B303 1182	Sensor Bracket	2
5	GX64 0024	Fan Motor - DC 3.12W	1
6	B132 6760	DC Motor 24V 19.6W	2
7	D453 5340	Harness:Earth:Ass'y	1
8	B832 1065	Connector Bracket	1
9	H515 5054	Paper Size Sensor	3
10	B832 1021	DC Motor 24V 19.6W	1

Index No.	Part No.	Description	Q'ty Per Assembly
101	0454 4008Q	Tapping Screw - M4x8	
102	0451 4035N	Tapping Screw:4x35	
103	0451 4008N	Tapping Screw:4x8	
104	0954 4010N	Screw:Polished Round/Spring:M4x10	
105	0450 4010N	Tapping Screw:M4x10	
106	1105 0508	Harness Clamp - LWS-0711	
107	1105 0511	Harness Clamp - LWS-0306ZC	
108	1105 0489	Harness Clamp - LWS 1316	
109	1105 0522	Edge Saddle - LES0510	

19.Frame Section 1 (D452)

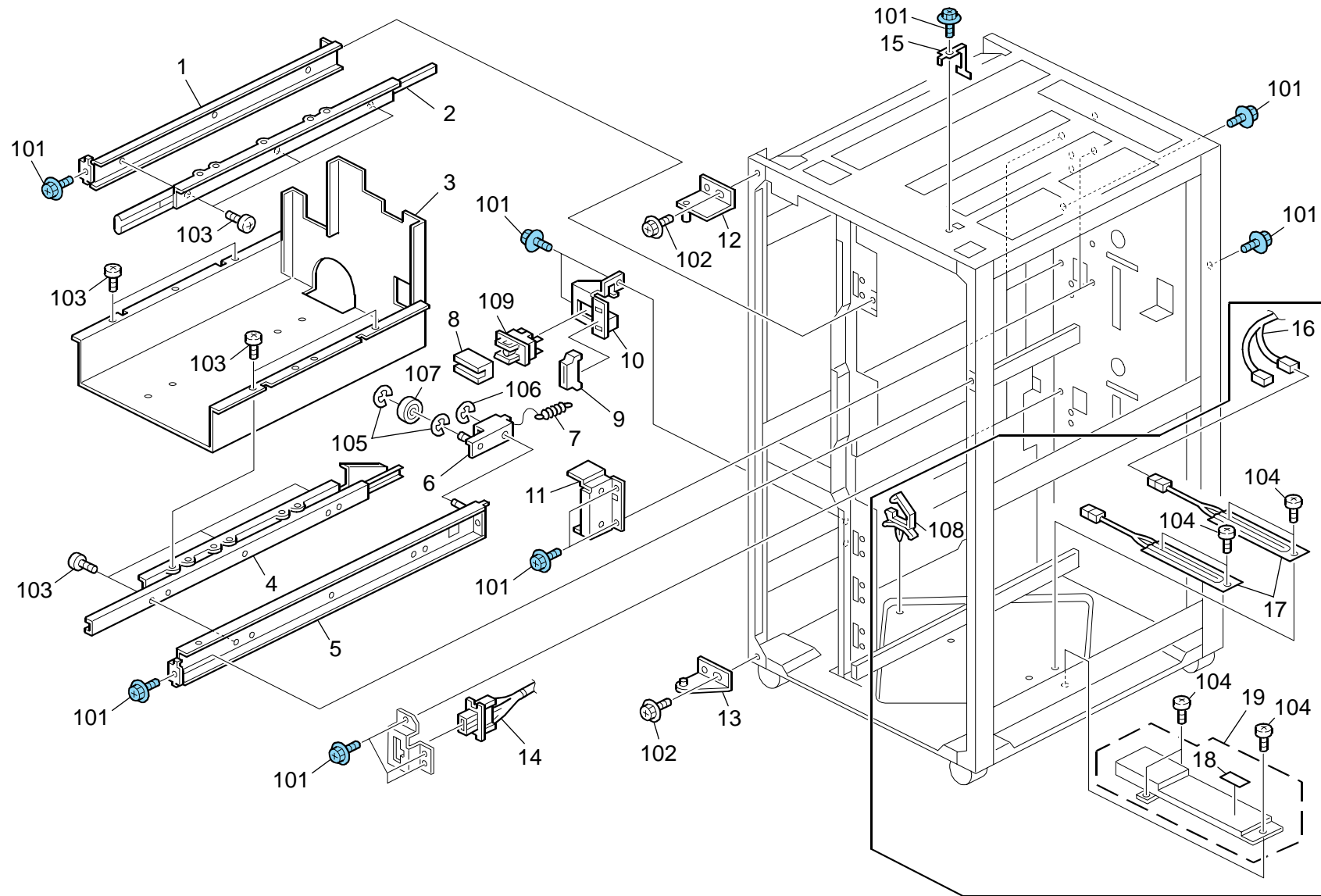


19.Frame Section 1 (D452)

Index No.	Part No.	Description	Q'ty Per Assembly
1	B303 1116	Grounding Plate	4
2	B511 1112	Support Stay	2
3	AA06 6671	Lock Spring	1
4	B511 1114	Support Stay	1
5	AA14 0912	Screw - 8x14x2.8	2
6	B511 1147	Support Stay	2
7	D452 1145	Slide Rail:Left Upper:Welding	1
8	D452 1165	Slide Rail:Left Lower:Welding	1
9	D452 1126	Slide Rail:Right Upper:Welding	1
10	B511 1137	Support Stay	2
11	B511 1132	Arm Lock Bracket	1
12	D452 1151	Tension Spring:Lock:Slide Rail	2
13	D452 1157	Slide Rail:Right Lower:Welding	1
14	B511 1139	Bracket:Arm:Lock:Right Lower:Ass'y	1
15	B832 1183	Ground Plate - Lower	1
16	AH01 2014	Caster - 60kgf	4
17	A507 1096	Philips Screw - M5x6	8
18	AA14 3798	Hexagonal Bolt:M12x35	3
19	D452 1045	Bracket:Guard:Vertical Transport	4
20	D452 1049	Cushion:Rubber	3

Index No.	Part No.	Description	Q'ty Per Assembly
101	0454 4008Q	Tapping Screw - M4x8	
102	0451 4008N	Tapping Screw:4x8	
103	0453 4008N	Binding Self Tapping Screw:4x8	
104	0720 0060E	Retaining Ring - M6	
105	0720 0040E	Retaining Ring - M4	
106	0740 3808	Ball Bearing - 8x16x5mm	
107	1105 0489	Harness Clamp - LWS 1316	

20.Frame Section 2 (D452)



20.Frame Section 2 (D452)

Index No.	Part No.	Description	Q'ty Per Assembly
1	B511 1147	Support Stay	1
2	D452 1181	Slide Rail:Left Upper:No.1:Welding	1
3	D452 1024	Bracket:Guard:Tray	1
4	D452 1133	Slide Rail:Right Upper:No.1:Welding	1
5	B511 1137	Support Stay	1
6	B511 1132	Arm Lock Bracket	1
7	D452 1151	Tension Spring:Lock:Slide Rail	1
8	D355 1325	Cover:Push Switch	1
9	AG07 1012	Magnet Catch:Ass'y	1
10	B832 1171	Safety Switch Bracket	1
11	D452 1062	Bracket:Safety:Rear	2
12	B511 1034	Hinge:Cover:Upper:Peen	1
13	B511 1355	Lower Hinge	1
14	D452 5311	Harness:Connecting:Paper Feed Unit	3
15	B511 2895	Stopper:End Fence:No.4	1
16	D452 5341	Harness:Heater:Connecting	1
17	AX40 0012	Heater - 230V/18W	2
18	GA00 0036	Decal - (High Temperature) Left	1
19	B834 3870	Cover:Dehumidifier:Heater:Adhesion	1

Index No.	Part No.	Description	Q'ty Per Assembly
101	0454 4008Q	Tapping Screw - M4x8	
102	0451 4008N	Tapping Screw:4x8	
103	0453 4008N	Binding Self Tapping Screw:4x8	
104	0314 0060N	Screw - M4x6	
105	0720 0060E	Retaining Ring - M6	
106	0720 0040E	Retaining Ring - M4	
107	0740 3808	Ball Bearing - 8x16x5mm	
108	1105 0488	Harness Clamp	
109	1204 2382	Interlock Switch - Fail-CA22	

Parts Index

Parts Index

Part No.	Description	Page and Index No.
D452 1024	Bracket:Guard:Tray	41 - 3
D452 1041	Bracket:Stopper:Tray:Right	19 - 11
D452 1045	Bracket:Guard:Vertical Transport	39 - 19
D452 1047	Bracket:Guard:Base	37 - 1
D452 1049	Cushion:Rubber	39 - 20
D452 1062	Bracket:Safety:Rear	41 - 11
D452 1089	Bracket:PWB	35 - 21
D452 1092	Stopper:Lock:Tray	19 - 9
D452 1093	Plate:Lock:Tray	19 - 8
D452 1094	Tension Spring:Lock:Tray	19 - 7
D452 1126	Slide Rail:Right Upper:Welding	39 - 9
D452 1133	Slide Rail:Right Upper:No.1:Welding	41 - 4
D452 1145	Slide Rail:Left Upper:Welding	39 - 7
D452 1151	Tension Spring:Lock:Slide Rail	39 - 12
D452 1151	Tension Spring:Lock:Slide Rail	41 - 7
D452 1157	Slide Rail:Right Lower:Welding	39 - 13
D452 1165	Slide Rail:Left Lower:Welding	39 - 8
D452 1181	Slide Rail:Left Upper:No.1:Welding	41 - 2
D452 1310	Decal:Paper Tray:LCT	3 - 23
D452 1311	Decal:Paper:Supply:6	15 - 2
D452 1316	Decal:Knob:U2	5 - 13
D452 1318	Decal:Knob:U4	5 - 9
D452 1319	Decal:Knob:U5	5 - 10
D452 1332	Decal:Misfeed Removal:U3	5 - 16
D452 1340	Cover:Rear:Ass'y	3 - 13
D452 1341	Decal:End Fence:Size Indication:4-5	9 - 2
D452 1343	Decal:Paper:Supply:4-5	9 - 25
D452 1344	Decal:End Fence:Tab	5 - 1
D452 1381	Cover:Tray:S	7 - 1
D452 1382	Cover:Tray:L	13 - 1
D452 1385	Grip:Paper Tray:Front Rear:Ass'y	13 - 2
D452 1385	Grip:Paper Tray:Front Rear:Ass'y	7 - 2
D452 1391	Inner Cover:Paper Feed:Lower	5 - 3
D452 1394	Inner Cover:Paper Feed Unit:Upper	5 - 6
D452 1395	Inner Cover:Paper Feed Unit:Lower	5 - 7

Part No.	Description	Page and Index No.
D452 1461	Inner Cover:Paper Feed:Upper	5 - 12
D452 2500	Paper Feed Unit:Ass'y	21 - *
D452 2530	Stay:Feed:Peen	21 - 4
D452 2545	Guide Plate:Feed:Ass'y	21 - 1
D452 2549	Bracket:Guard:Gear:Reverse	23 - 21
D452 2555	Bracket:Drawer:Paper Feed Unit	23 - 20
D452 2557	Bracket:Guard:DC Solenoid:Reverse	23 - 19
D452 2558	Bracket:Rail:Paper Feed Unit	19 - 6
D452 2573	Cover:Paper Feed Roller	21 - 10
D452 2574	Arm:Pickup	21 - 20
D452 2578	Swing Unit:Pickup Roller:Ass'y	21 - 9
D452 2579	Bracket:Photo Refiection Sensor	21 - 7
D452 2721	Guide Plate:Front:Tray:No.6	15 - 9
D452 2783	Bracket:End Fence	15 - 18
D452 2783	Bracket:End Fence	9 - 10
D452 2821	Guide Plate:Front:Duplex Tray	9 - 23
D452 2823	Cover:Tray:Upper	15 - 1
D452 2823	Cover:Tray:Upper	9 - 1
D452 2826	Cover:Tray:Lower	7 - 21
D452 2826	Cover:Tray:Lower	13 - 20
D452 2831	Guide Plate:Front:Tray:No.5	9 - 23
D452 3283	Stay:Main	7 - 9
D452 3283	Stay:Main	13 - 9
D452 3378	Stay:Auxiliary	13 - 19
D452 3378	Stay:Auxiliary	7 - 19
D452 3380	Arm:Swivel:Left	13 - 13
D452 3380	Arm:Swivel:Left	7 - 14
D452 3381	Arm:Swivel:Right	13 - 14
D452 3381	Arm:Swivel:Right	7 - 15
D452 3382	Shaft:Contact Point:Left	13 - 10
D452 3382	Shaft:Contact Point:Left	7 - 11
D452 3383	Shaft:Contact Point:Right	13 - 11
D452 3383	Shaft:Contact Point:Right	7 - 12
D452 3395	Plate:Operation Sub-unit:No.6	13 - 15
D452 3402	Guide:Stopper:Left:Peen	13 - 16

Part No.	Description	Page and Index No.
D452 3402	Guide:Stopper:Left:Peen	7 - 16
D452 3412	Guide:Stopper:Right:Peen	13 - 17
D452 3412	Guide:Stopper:Right:Peen	7 - 17
D452 3438	Shaft:Link:Pierce	7 - 13
D452 3438	Shaft:Link:Pierce	13 - 12
D452 3495	Plate:Operation Sub-unit:No.4	7 - 10
D452 3820	Stay:Handle:Release:Upper:Peen	31 - 14
D452 3822	Stay:Handle:Release:Lower:Peen	31 - 19
D452 3890	Guide Plate:Upper	25 - 3
D452 3894	Guide Plate:Lower Left	29 - 8
D452 5052	PCB:A4:Large Capacity Tray	35 - 20
D452 5300	Harness:Dc Stepper Motor:F1	35 - 13
D452 5301	Harness:Dc Stepper Motor:F2F3	35 - 19
D452 5310	Harness:Interface:Paper Feed Unit	35 - 16
D452 5311	Harness:Connecting:Paper Feed Unit	41 - 14
D452 5313	Harness:Paper Feed Unit:Ass'y	21 - 2
D452 5320	Harness:Paper Volume Sensor:F1	35 - 12
D452 5321	Harness:Paper Volume Sensor:F2F3	35 - 11
D452 5330	Harness:Interface:Main:Ass'y	35 - 23
D452 5331	Harness:Safety Switch	35 - 17
D452 5332	Harness:Interface:Aleutian	35 - 18
D452 5341	Harness:Heater:Connecting	41 - 16
D452 5350	Harness:Interface:Sensor	35 - 15
D452 5351	Harness:Interface:CRB	27 - 13
D452 5352	Harness:Sensor:Middle:Transport:Ass'y	27 - 24
D452 5353	Harness:Sensor:F1:Transport:Ass'y	25 - 17
D452 5354	Harness:Sensor:Exit	27 - 17
D452 5356	Harness:Sensor:F3:Transport	29 - 12
D452 5358	Harness:Connecting:Sensor	33 - 18
D452 5359	Harness:Line Sensor	27 - 26

Part No.	Description	Page and Index No.
A229 2692	Damping Insulation	23 - 2
A232 4666	Cushion - Stepper Motor	33 - 3
A267 2787	Tension Spring - Lock Lever	17 - 18
A335 4351	Guide Roller	11 - 10
A335 4351	Guide Roller	17 - 11
A353 2243	Lever Knob	27 - 9
A507 1096	Philips Screw - M5x6	39 - 17
A667 2656	Friction Pad	17 - 1
A667 2656	Friction Pad	11 - 1
B024 1365	Cap - 38x77	3 - 11
B070 1307	Decal:Paper Set Direction	3 - 5
B132 1226	Holder:Stand	3 - 22
B132 4119	Spacer:Gear:Idler	21 - 18
B132 6760	DC Motor 24V 19.6W	37 - 6
B234 2390	Flanged Hexagonal Head Bolt:M4x8	5 - 5
B234 2390	Flanged Hexagonal Head Bolt:M4x8	15 - 20
B234 2390	Flanged Hexagonal Head Bolt:M4x8	9 - 9
B234 2750	Contact Image Sensor	27 - 27
B234 5280	PCB CRB	27 - 30
B234 6222	Reverse Drive Shaft	23 - 8
B234 6223	Driven Reverse Shaft	23 - 18
B234 6301	Torque Limiter:75mN m	23 - 17
B234 6508	Tension Spring	33 - 13
B234 6508	Tension Spring	35 - 6
B303 1116	Grounding Plate	39 - 1
B303 1181	Sensor Bracket	37 - 3
B303 1182	Sensor Bracket	37 - 4
B303 1303	Decal - Paper Size	11 - 2
B303 1306	Decal - Instruction	31 - 2
B303 1307	Decal - Instruction	31 - 3
B303 2556	Reverse Pressure Lever	23 - 9
B303 2645	Noise Absorber Seal - 16.5x4.2x3	15 - 7
B303 2645	Noise Absorber Seal - 16.5x4.2x3	9 - 8
B303 2723	Grounding Plate	11 - 20
B303 2723	Grounding Plate	15 - 19

Part No.	Description	Page and Index No.
B303 2734	Paper Stopper	17 - 6
B303 2748	Actuator Cover	17 - 2
B303 2748	Actuator Cover	11 - 19
B303 2751	Paper Lift Shaft - 2.5K	17 - 22
B303 2777	Paper Guide Mylar	15 - 5
B303 2777	Paper Guide Mylar	9 - 7
B303 2791	Oil Dumper	17 - 15
B303 2851	Paper Lift Shaft - 1K	11 - 15
B303 2871	Side Fence:Front:No.1_2:Ass'y	9 - 5
B303 2898	Spring Plate	9 - 17
B303 3682	Misfeed Removal Knob	31 - 1
B303 3685	Link Spacer	31 - 9
B303 3830	Upper Support Stay	29 - 7
B511 1034	Hinge:Cover:Upper:Peen	41 - 12
B511 1112	Support Stay	39 - 2
B511 1114	Support Stay	39 - 4
B511 1132	Arm Lock Bracket	41 - 6
B511 1132	Arm Lock Bracket	39 - 11
B511 1137	Support Stay	39 - 10
B511 1137	Support Stay	41 - 5
B511 1139	Bracket:Arm:Lock:Right Lower:Ass'y	39 - 14
B511 1147	Support Stay	41 - 1
B511 1147	Support Stay	39 - 6
B511 1342	Decal - End Fence Size Indication 6	15 - 3
B511 1355	Lower Hinge	41 - 13
B511 1360	Cover:Left	3 - 18
B511 1370	Cover:Upper	3 - 10
B511 1378	Cover:Cover:Upper	3 - 12
B511 1385	Cover:Right	3 - 15
B511 1386	Cover:Right:Key Counter	3 - 14
B511 1595	Stay:Cover:Rear	35 - 22
B511 2438	Bracket:Paper Tray:Rear	17 - 4
B511 2438	Bracket:Paper Tray:Rear	11 - 4
B511 2439	Bracket:Paper Tray:Front	11 - 3
B511 2439	Bracket:Paper Tray:Front	17 - 3

Part No.	Description	Page and Index No.
B511 2674	Decal:Display:Paper Volume	9 - 22
B511 2674	Decal:Display:Paper Volume	15 - 10
B511 2677	Sensor Bracket	21 - 5
B511 2727	Sensor Bracket	15 - 13
B511 2728	Side Fence Stay - Front	11 - 12
B511 2728	Side Fence Stay - Front	17 - 19
B511 2729	Side Fence Stay - Rear	11 - 14
B511 2729	Side Fence Stay - Rear	17 - 21
B511 2736	Side Plate Bracket	17 - 16
B511 2737	Weight Plate	11 - 5
B511 2737	Weight Plate	17 - 5
B511 2742	Bracket	11 - 7
B511 2742	Bracket	17 - 8
B511 2747	Paper Actuator	17 - 24
B511 2747	Paper Actuator	11 - 18
B511 2752	Bracket	17 - 25
B511 2752	Bracket	11 - 17
B511 2761	Tightener Bracket	17 - 17
B511 2769	Side Fence:Front:No.3:Ass'y	15 - 6
B511 2774	Side Fence:Rear:No.3:Ass'y	15 - 11
B511 2785	End Fence:Tab	5 - 2
B511 2788	Silicone Tube:End Fence	9 - 13
B511 2788	Silicone Tube:End Fence	15 - 15
B511 2793	Oil Damper Bracket	17 - 14
B511 2852	End Fence:Front:1K	9 - 3
B511 2857	End Fence:Front:2.5K	15 - 21
B511 2875	Side Fence:Rear:No.1_2:Ass'y	9 - 20
B511 2886	Sensor Bracket	9 - 16
B511 2895	Stopper:End Fence:No.4	41 - 15
B511 2896	Stopper:End Fence:No.5	7 - 20
B511 2897	Paper Size Actuator	9 - 19
B511 3302	Guide Plate - Lower	25 - 13
B511 3306	Guide Plate - 7	25 - 16
B511 3621	Guide Plate - Link	31 - 4
B511 3637	Lever	27 - 8

Part No.	Description	Page and Index No.
B511 3680	Linkage Bracket	31 - 8
B511 3817	Stay: Misfeed Removal: Stopper	27 - 11
B511 3817	Stay: Misfeed Removal: Stopper	25 - 11
B543 2660	Bracket: Fix: Belt	11 - 6
B543 2660	Bracket: Fix: Belt	17 - 7
B832 1021	DC Motor 24V 19.6W	37 - 10
B832 1060	Bracket: Power Supply Cord	35 - 14
B832 1065	Connector Bracket	37 - 8
B832 1100	Positioning Pin - Upper	3 - 4
B832 1101	Positioning Pin - Lower	3 - 3
B832 1171	Safety Switch Bracket	41 - 10
B832 1183	Ground Plate - Lower	39 - 15
B832 1304	Decal - Side Fence Front	9 - 6
B832 1304	Decal - Side Fence Front	15 - 4
B832 1305	Decal - Side Fence Rear	15 - 12
B832 1305	Decal - Side Fence Rear	9 - 21
B832 1309	Decal - Misfeed Removal	3 - 19
B832 1320	Decal - Knob (U6)	29 - 10
B832 1333	Decal - Misfeed Removal (U7)	5 - 15
B832 1368	Cover Magnet Catch - Left	3 - 20
B832 1371	Spacer Cushion	3 - 8
B832 1372	Cover Cushion - Right	3 - 9
B832 1373	Cover - Upper Front	5 - 11
B832 1374	Cover Cushion - Front Left	3 - 6
B832 1376	Cover Cushion - Front Middle	3 - 7
B832 1595	Door Cover - Small	3 - 21
B832 1718	Drive Bracket	35 - 9
B832 1725	Drive Bracket - Paper Feed Unit	35 - 3
B832 1730	Drive Shaft - Grip	35 - 7
B832 1740	Drive Shaft - Paper Feed	35 - 8
B832 1750	Tension Bracket	35 - 5
B832 2535	Reverse Guide Plate	23 - 1
B832 2541	Stay	23 - 14
B832 2558	DC Solenoid 24V	23 - 12
B832 2660	End Fence Slider	9 - 11

Part No.	Description	Page and Index No.
B832 2660	End Fence Slider	15 - 17
B832 2729	Tray Cushion	17 - 20
B832 2729	Tray Cushion	3 - 16
B832 2729	Tray Cushion	11 - 13
B832 2757	Spring Plate	11 - 16
B832 2757	Spring Plate	17 - 23
B832 2787	Knob Screw: End Fence: Press Fit	15 - 14
B832 2787	Knob Screw: End Fence: Press Fit	9 - 14
B832 2877	Knob Screw: Tray: Guide: Green	9 - 4
B832 2888	Grip: Paper Size Sensor Board	9 - 18
B832 3510	Heat Sink	33 - 2
B832 3565	Drive Bracket - Lower	33 - 8
B832 3575	Drive Bracket - Entrance	33 - 6
B832 3585	Bracket: Drive: Upper: Peen	33 - 5
B832 3595	Drive Bracket - Exit	33 - 7
B832 3654	Transport Sensor Stay - Entrance	27 - 25
B832 3655	Transport Sensor Bracket No.6	29 - 13
B832 3656	Transport Sensor Bracket No.4	25 - 15
B832 3685	Sensor Bracket	27 - 28
B832 3687	Guide Plate - Upper Right	25 - 7
B832 3688	Entrance Guide Plate - Middle Upper	27 - 12
B832 3689	Guide Plate - Lower Right	29 - 11
B832 3745	Registration Sensor Bracket Holder	27 - 29
B832 3775	Tension Bracket	33 - 11
B832 3785	Tension Bracket - Lower	33 - 14
B832 3883	Sensor Bracket	25 - 9
B832 3909	Bracket Cushion	25 - 14
B832 3909	Bracket Cushion	27 - 23
B832 3911	PCB Cover	27 - 20
B832 3915	Cover - Paper Feed Sensor	27 - 18
B832 3920	Guide Plate - Lower	27 - 4
B832 3925	Sheet - Registration Sensor	27 - 10
B832 3930	Exit Guide Plate - Middle Upper	27 - 14
B832 3940	Contact Point Bracket	27 - 21
B832 3950	Contact Point Bracket - Rear	27 - 2

Part No.	Description	Page and Index No.
B833 2565	Compression Spring	23 - 4
B833 2567	Tension Spring	23 - 6
B834 1055	Guide:Lock:Right:Tray	19 - 10
B834 1056	Guide:Lock:Left:Tray	19 - 3
B834 1331	Decal - Misfeed Removal (U1)	5 - 14
B834 2568	Transport Roller - Driven	27 - 7
B834 2568	Transport Roller - Driven	25 - 6
B834 2568	Transport Roller - Driven	23 - 5
B834 2568	Transport Roller - Driven	29 - 6
B834 2568	Transport Roller - Driven	31 - 7
B834 3312	Collar	13 - 3
B834 3312	Collar	7 - 3
B834 3376	Plate:Handle	13 - 6
B834 3376	Plate:Handle	7 - 6
B834 3442	Stopper Holder - Left	19 - 1
B834 3443	Stopper Holder	19 - 2
B834 3460	Screw	19 - 4
B834 3475	Bracket	7 - 7
B834 3475	Bracket	13 - 7
B834 3870	Cover:Dehumidifier:Heater:Adhesion	41 - 19
D059 2620	Retaining Rings-C	23 - 15
D059 2620	Retaining Rings-C	21 - 12
D355 1325	Cover:Push Switch	41 - 8
D355 2751	Plate:Grip:Joint	13 - 4
D355 2751	Plate:Grip:Joint	7 - 4
D355 3828	Holder:Stay:Guide Plate	29 - 3
D355 3828	Holder:Stay:Guide Plate	25 - 10
D355 3844	Shoe:Handle:Release	31 - 13
D355 3896	Compression Spring:Guide Plate:27N	31 - 15
D355 3897	Screw:M4:3M	31 - 16
D355 3897	Screw:M4:3M	29 - 2
D355 3897	Screw:M4:3M	25 - 2
D453 1308	Decal:Size Indication:Multi-language:1	3 - 2
D453 1309	Decal:Size Indication:Multi-language:2	3 - 1
D453 1335	Decal:TCRU	15 - 8

Part No.	Description	Page and Index No.
D453 1335	Decal:TCRU	11 - 22
D453 1335	Decal:TCRU	9 - 24
D453 1335	Decal:TCRU	5 - 8
D453 2585	Shaft:Feed Roller:Ass'y	21 - 15
D453 3818	Stud:Handle:Release:Peen	31 - 17
D453 5340	Harness:Earth:Ass'y	37 - 7
G178 4525	Washer:DIA5.5xDIA16x2	13 - 18
G178 4525	Washer:DIA5.5xDIA16x2	7 - 18
H515 5054	Paper Size Sensor	37 - 9
H516 3666	Spring - 19.6mm	13 - 8
H516 3666	Spring - 19.6mm	7 - 8

Part No.	Description	Page and Index No.
AA04 2550	Timing Belt - S2M138	35 - 4
AA04 2551	Timing Belt - S2M128	33 - 9
AA04 2552	Timing Belt - B60S2M176	33 - 16
AA04 3909	Timing Belt - B100S5M780	17 - 9
AA04 3910	Timing Belt - B100S5M435	11 - 8
AA06 0575	Release Spring	23 - 13
AA06 3204	Compression Spring	21 - 21
AA06 6670	Tension Spring	31 - 11
AA06 6670	Tension Spring	33 - 15
AA06 6671	Lock Spring	39 - 3
AA06 6675	Compression Spring	31 - 5
AA06 6675	Compression Spring	25 - 4
AA06 6675	Compression Spring	27 - 6
AA06 6675	Compression Spring	29 - 5
AA06 6677	Tension Spring	21 - 19
AA06 6680	Spring	27 - 3
AA08 2070	Bushing - 8x16x7	31 - 20
AA08 2096	Bushing - 8x12x7	17 - 13
AA08 2096	Bushing - 8x12x7	11 - 11
AA08 3015	Roller Clutch	21 - 14
AA08 4059	Ball Bearing Holder	25 - 5
AA08 4059	Ball Bearing Holder	27 - 5
AA08 4059	Ball Bearing Holder	29 - 4
AA08 4059	Ball Bearing Holder	23 - 3
AA08 4059	Ball Bearing Holder	31 - 6
AA14 0912	Screw - 8x14x2.8	39 - 5
AA14 3139	Shoulder Screw - Pressure Arm	11 - 21
AA14 3560	Stepped Screw - M4	19 - 5
AA14 3562	Screw:M4:DIA6x1.2	9 - 15
AA14 3562	Screw:M4:DIA6x1.2	35 - 10
AA14 3798	Hexagonal Bolt:M12x35	39 - 18
AA14 3810	Development Cover Screw	33 - 4
AA14 3852	Screw	7 - 5
AA14 3852	Screw	13 - 5
AA14 3857	Screw - M4x5	9 - 12

Part No.	Description	Page and Index No.
AA14 3857	Screw - M4x5	15 - 16
AA16 1122	Motor Cushion	35 - 2
AB01 1392	Drive Reverse Gear - 24Z	23 - 7
AB01 1478	Gear - 18Z	21 - 3
AB01 1591	Gear:Reverse	23 - 10
AB01 3654	Gear - 30Z	27 - 1
AB01 3654	Gear - 30Z	25 - 1
AB01 3654	Gear - 30Z	29 - 1
AB01 4140	Gear - 24Z	17 - 12
AB01 4152	Gear - 32Z	27 - 22
AB01 7724	Gear - 23Z/28Z	21 - 22
AB03 0548	Pulley - 16T	17 - 10
AB03 0548	Pulley - 16T	11 - 9
AB03 0665	Idler Pulley - 18Z	33 - 12
AB03 2725	Timing Pulley - 25T/30Z	33 - 10
AB03 2726	Gear - 30Z	33 - 17
AF02 1410	Transport Roller	21 - 11
AF02 1411	Drive Transport Roller - CCW	29 - 9
AF02 1412	Drive Transport Roller - CW	27 - 19
AF02 1412	Drive Transport Roller - CW	25 - 12
AF02 1413	Drive Transport Roller - Connecting	27 - 15
AF03 0080	Paper Feed Roller:Pickup	21 - 17
AF03 1081	Paper Feed Roller:Feed:Manual Feed	21 - 13
AF03 2080	Paper Feed Roller:Separate	23 - 16
AG05 0067	Knob - Transport Roller	5 - 4
AG07 1012	Magnet Catch:Ass'y	41 - 9
AH01 2014	Caster - 60kgf	39 - 16
AW01 0107	Paper Feed Sensor	21 - 8
AW01 0118	Paper Feed Sensor	29 - 14
AW01 0118	Paper Feed Sensor	25 - 18
AW01 0122	Paper Feed Sensor	27 - 16
AW01 0122	Paper Feed Sensor	25 - 8
AW02 0145	Photointerruptor:Flat	37 - 2
AW02 0145	Photointerruptor:Flat	21 - 6
AX04 0157	Stepper Motor DC1.68V 6.7W	35 - 1

Part No.	Description	Page and Index No.
AX04 0158	Stepper Motor DC2.64V 6.3W	33 - 1
AX40 0012	Heater - 230V/18W	41 - 17
BB01 3008	Gear - 31Z	23 - 11
GA00 0036	Decal - (High Temperature) Left	41 - 18
GX64 0024	Fan Motor - DC 3.12W	37 - 5

Part No.	Description	Page and Index No.
0313 0040N	Screw:M3x4	27 - 103
0314 0040N	Pan Head Screw - M4x4	17 - 109
0314 0040N	Pan Head Screw - M4x4	11 - 106
0314 0060N	Screw - M4x6	41 - 104
0314 0080N	Philips Pan Head Screw - M4x8	35 - 104
0354 0060N	Screw-M4x6	17 - 104
0354 0060N	Screw-M4x6	11 - 102
0360 3006N	Screw - M3x6	33 - 103
0450 4008N	Tapping Screw - M4x8	3 - 102
0450 4008N	Tapping Screw - M4x8	7 - 102
0450 4008N	Tapping Screw - M4x8	13 - 102
0450 4010N	Tapping Screw:M4x10	17 - 102
0450 4010N	Tapping Screw:M4x10	37 - 105
0450 4014N	Tapping Screw:4x14	11 - 101
0450 4014N	Tapping Screw:4x14	17 - 101
0451 3006N	Tapping Screw - 3x6	35 - 102
0451 3008N	Tapping Screw - M3x8	11 - 103
0451 3008N	Tapping Screw - M3x8	17 - 105
0451 4008N	Tapping Screw:4x8	9 - 101
0451 4008N	Tapping Screw:4x8	7 - 101
0451 4008N	Tapping Screw:4x8	41 - 102
0451 4008N	Tapping Screw:4x8	5 - 101
0451 4008N	Tapping Screw:4x8	15 - 101
0451 4008N	Tapping Screw:4x8	35 - 101
0451 4008N	Tapping Screw:4x8	37 - 103
0451 4008N	Tapping Screw:4x8	17 - 103
0451 4008N	Tapping Screw:4x8	13 - 101
0451 4008N	Tapping Screw:4x8	11 - 109
0451 4008N	Tapping Screw:4x8	39 - 102
0451 4008N	Tapping Screw:4x8	19 - 101
0451 4008N	Tapping Screw:4x8	33 - 102
0451 4012N	Tapping Screw:4x12	3 - 104
0451 4035N	Tapping Screw:4x35	37 - 102
0453 4008N	Binding Self Tapping Screw:4x8	9 - 104
0453 4008N	Binding Self Tapping Screw:4x8	41 - 103

Part No.	Description	Page and Index No.
0453 4008N	Binding Self Tapping Screw:4x8	39 - 103
0453 4008N	Binding Self Tapping Screw:4x8	15 - 102
0454 3008Q	Tapping Screw:3x8	27 - 102
0454 4006Q	Tapping Screw:4x6	33 - 105
0454 4006Q	Tapping Screw:4x6	17 - 107
0454 4006Q	Tapping Screw:4x6	9 - 103
0454 4006Q	Tapping Screw:4x6	11 - 105
0454 4006Q	Tapping Screw:4x6	15 - 103
0454 4008N	Tapping Screw:Round Point:4x8	3 - 103
0454 4008Q	Tapping Screw - M4x8	27 - 101
0454 4008Q	Tapping Screw - M4x8	25 - 101
0454 4008Q	Tapping Screw - M4x8	39 - 101
0454 4008Q	Tapping Screw - M4x8	29 - 101
0454 4008Q	Tapping Screw - M4x8	41 - 101
0454 4008Q	Tapping Screw - M4x8	31 - 102
0454 4008Q	Tapping Screw - M4x8	33 - 104
0454 4008Q	Tapping Screw - M4x8	35 - 103
0454 4008Q	Tapping Screw - M4x8	37 - 101
0454 4008Q	Tapping Screw - M4x8	23 - 101
0454 4008Q	Tapping Screw - M4x8	21 - 101
0454 4008Q	Tapping Screw - M4x8	7 - 103
0454 4008Q	Tapping Screw - M4x8	9 - 102
0454 4008Q	Tapping Screw - M4x8	11 - 104
0454 4008Q	Tapping Screw - M4x8	17 - 108
0454 4008Q	Tapping Screw - M4x8	19 - 102
0454 4008Q	Tapping Screw - M4x8	5 - 102
0573 0030E	Hexagon Headless Set Screw - M3x3	23 - 105
0633 0140G	Parallel Pin - 3x14	11 - 108
0633 0140G	Parallel Pin - 3x14	17 - 110
0708 0060N	Washer:DIA6	31 - 104
0720 0040E	Retaining Ring - M4	41 - 106
0720 0040E	Retaining Ring - M4	7 - 104
0720 0040E	Retaining Ring - M4	39 - 105
0720 0040E	Retaining Ring - M4	13 - 103
0720 0040E	Retaining Ring - M4	31 - 103

Part No.	Description	Page and Index No.
0720 0040E	Retaining Ring - M4	23 - 102
0720 0040E	Retaining Ring - M4	21 - 106
0720 0060E	Retaining Ring - M6	41 - 105
0720 0060E	Retaining Ring - M6	29 - 102
0720 0060E	Retaining Ring - M6	21 - 102
0720 0060E	Retaining Ring - M6	39 - 104
0720 0060E	Retaining Ring - M6	25 - 102
0720 0060E	Retaining Ring - M6	11 - 107
0720 0060E	Retaining Ring - M6	27 - 104
0720 0060E	Retaining Ring - M6	33 - 101
0720 0060E	Retaining Ring - M6	17 - 106
0740 3506	Ball Bearing - 6x12x4 mm	7 - 105
0740 3506	Ball Bearing - 6x12x4 mm	13 - 104
0740 3808	Ball Bearing - 8x16x5mm	39 - 106
0740 3808	Ball Bearing - 8x16x5mm	41 - 107
0741 3506	Ball Bearing - 6x12x4 mm	23 - 106
0741 3706	Ball Bearing - 6x10x3	23 - 103
0741 3708	Ball Bearing - 8x12x3.5mm	21 - 104
0742 3808	Ball Bearing - 8x16x5	25 - 103
0742 3808	Ball Bearing - 8x16x5	21 - 105
0742 3808	Ball Bearing - 8x16x5	27 - 105
0742 3808	Ball Bearing - 8x16x5	29 - 103
0805 0088	Retaining Ring - M6	21 - 103
0954 4010N	Screw:Polished Round/Spring:M4x10	31 - 101
0954 4010N	Screw:Polished Round/Spring:M4x10	3 - 101
0954 4010N	Screw:Polished Round/Spring:M4x10	37 - 104
1102 9785	Connector:55949-1819	23 - 108
1105 0194	PCB Stud	35 - 106
1105 0488	Harness Clamp	41 - 108
1105 0489	Harness Clamp - LWS 1316	35 - 105
1105 0489	Harness Clamp - LWS 1316	39 - 107
1105 0489	Harness Clamp - LWS 1316	37 - 108
1105 0508	Harness Clamp - LWS-0711	37 - 106
1105 0511	Harness Clamp - LWS-0306ZC	23 - 109
1105 0511	Harness Clamp - LWS-0306ZC	37 - 107

Part No.	Description	Page and Index No.
1105 0511	Harness Clamp - LWS-0306ZC	33 - 106
1105 0511	Harness Clamp - LWS-0306ZC	29 - 104
1105 0511	Harness Clamp - LWS-0306ZC	27 - 106
1105 0511	Harness Clamp - LWS-0306ZC	25 - 104
1105 0511	Harness Clamp - LWS-0306ZC	21 - 107
1105 0522	Edge Saddle - LES0510	37 - 109
1105 0522	Edge Saddle - LES0510	23 - 107
1105 0522	Edge Saddle - LES0510	21 - 108
1105 0534	Clamp	23 - 104
1105 0641	Clamp	35 - 107
1105 0692	Clamp:LES-0503	29 - 105
1105 0692	Clamp:LES-0503	27 - 107
1106 0101	Cord Stopper (110/115V)	35 - 108
1204 2382	Interlock Switch - Fail-CA22	41 - 109

Part No.	Description	Page and Index No.
5215 2621	Snap Ring - M6	31 - 21
5408 2035	Stepped Screw - M4	31 - 10
5447 2681	Snap Ring	3 - 17
5447 2681	Snap Ring	31 - 12
5447 2706	Gear - 15T	21 - 16
6754 2866	Roller - Positioning Guide	31 - 18