

TOSHIBA

SERVICE PARTS LIST

LCIT RT5000

P

© 2006 TOSHIBA TEC CORPORATION All rights reserved

Under the copyright laws, this manual cannot be reproduced in any form without prior written permission of TOSHIBA TEC CORPORATION. No patent liability is assumed, however, with respect to the use of the information contained herein.

EXPLANATION OF SERVICE-PARTS LIST

1. HOW TO READ THE PARTS LIST

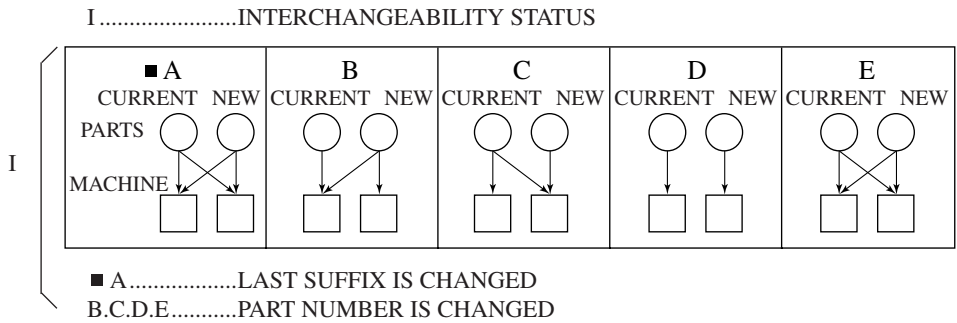
- (1) Number of pieces
The number of pieces in the list denotes total pieces used per unit. But the numbers in the list for PACKING MATERIAL and ACCESSORY denote total pieces used per machine.
- (2) One pack of screws in the list includes 50 pieces.
- (3) ABBREVIATED CODES

QTY/PAC

- QTY.....one piece
- PAC.....one pack
- 1/P.....one piece packed in polyethylene bag
- 1/S.....one piece packed in special pack
- 1/C.....one piece packed in carton box
- 1/PP.....one piece packed in paper and polyethylene bag
- 1/KP.....one piece packed in polyethylene bag with cardboard
- 1/D.....one piece packed in polyethylene-cushion bag
- 1/SB.....one piece packed in shielding bag
- N/A.....not available

P

- P.....PURPOSE
- A.....ADD
- B.....DELETE
- C.....CHANGE
- D.....QTY, CHANGE
- E.....MISENTRY
- F.....OMISSION



2. HOW TO PLACE ORDER FOR PARTS

- (1) The parts handled as service parts are only those with their "QTY/PACK" column listed with a quantity other than "N/A***" or "SUPPLY".
Those parts with "N/A***" are listed only for the purpose of showing the mechanical construction, those listed with "SUPPLY" are handled only as a sales item, and therefore both types of parts are not supplied as service parts.
- (2) Orders for any parts which form a component of a semi-assembled unit are not acceptable.
Note: All the screws and nuts used are ISO standard.

3. REGION

NAD.....115V
50/60Hz, NORTH AMERICA, SOUTH AMERICA

TWD.....110/220V
50/60Hz, TAIWAN

SAD.....127V/60Hz, SAUDI ARABIA

ASD.....220-240V
50/60Hz, ASIA, SOUTH AMERICA, etc.

ASU.....220-240V
50/60Hz, ASIA, etc.

AUD.....220-240V
50/60Hz, AUSTRALIA

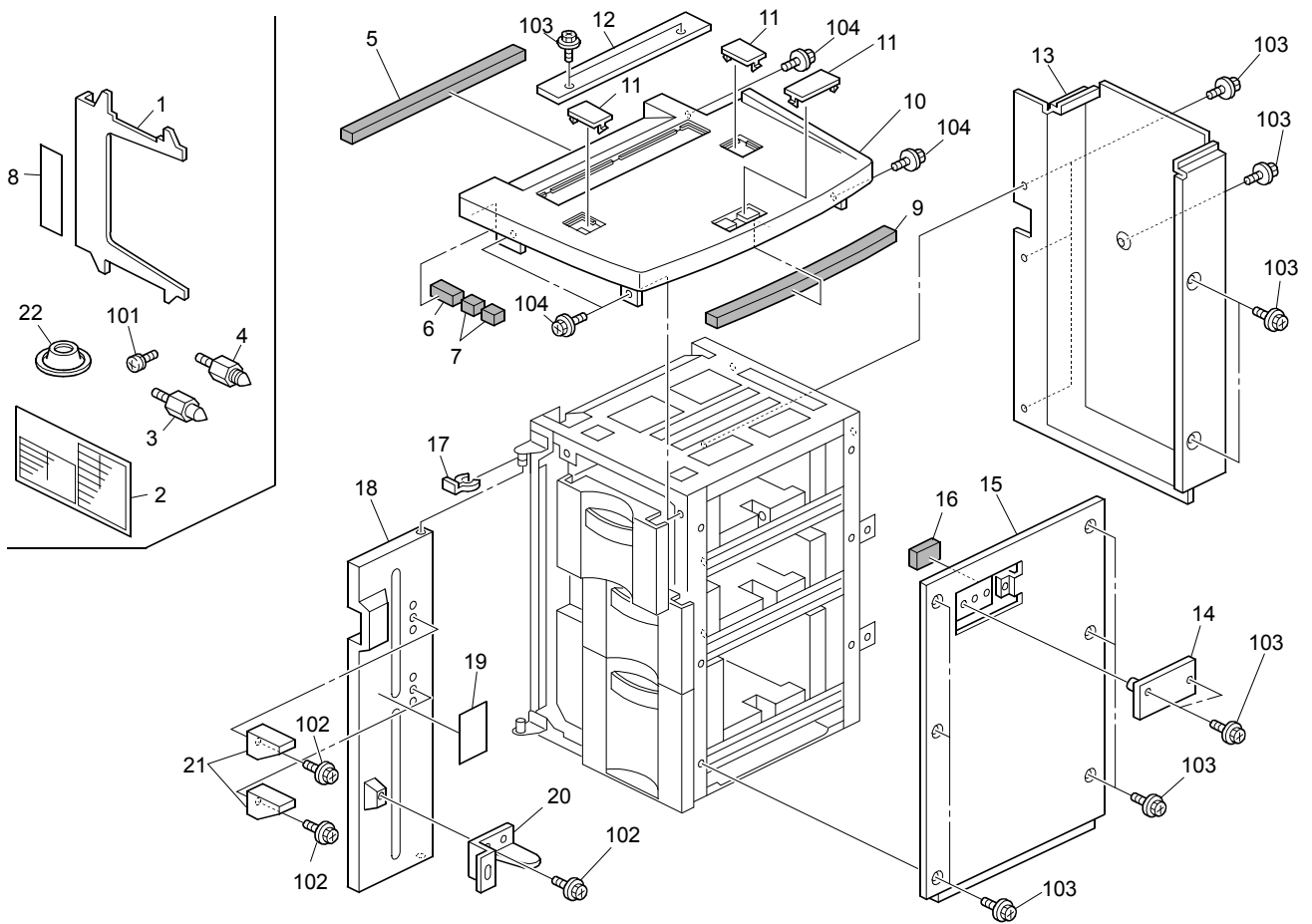
MJD.....220-240V
50/60Hz, EUROPE

CND.....220-240V
50/60Hz, CHINA

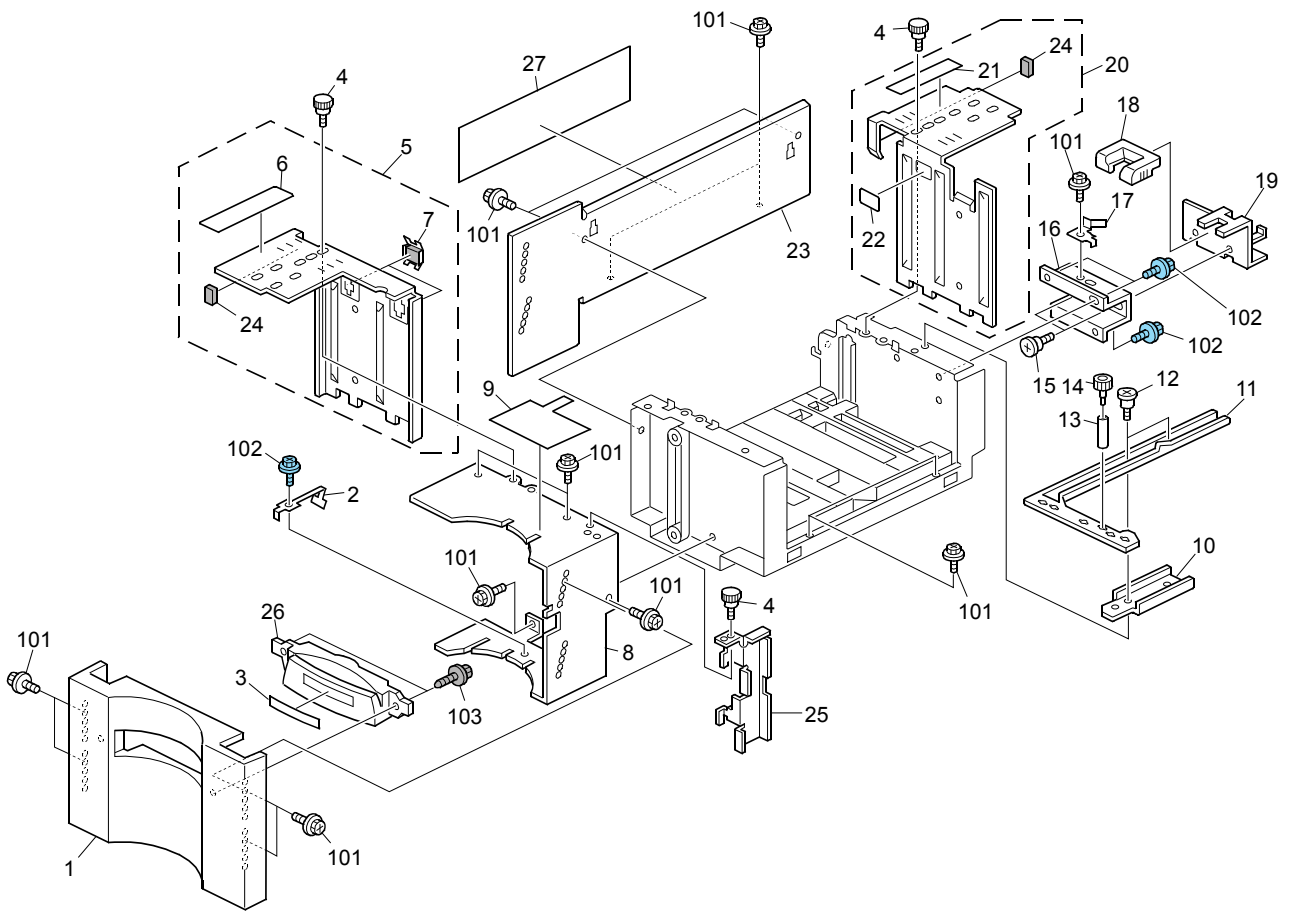
KRD.....220-240V
50/60Hz, KOREA

CONTENTS

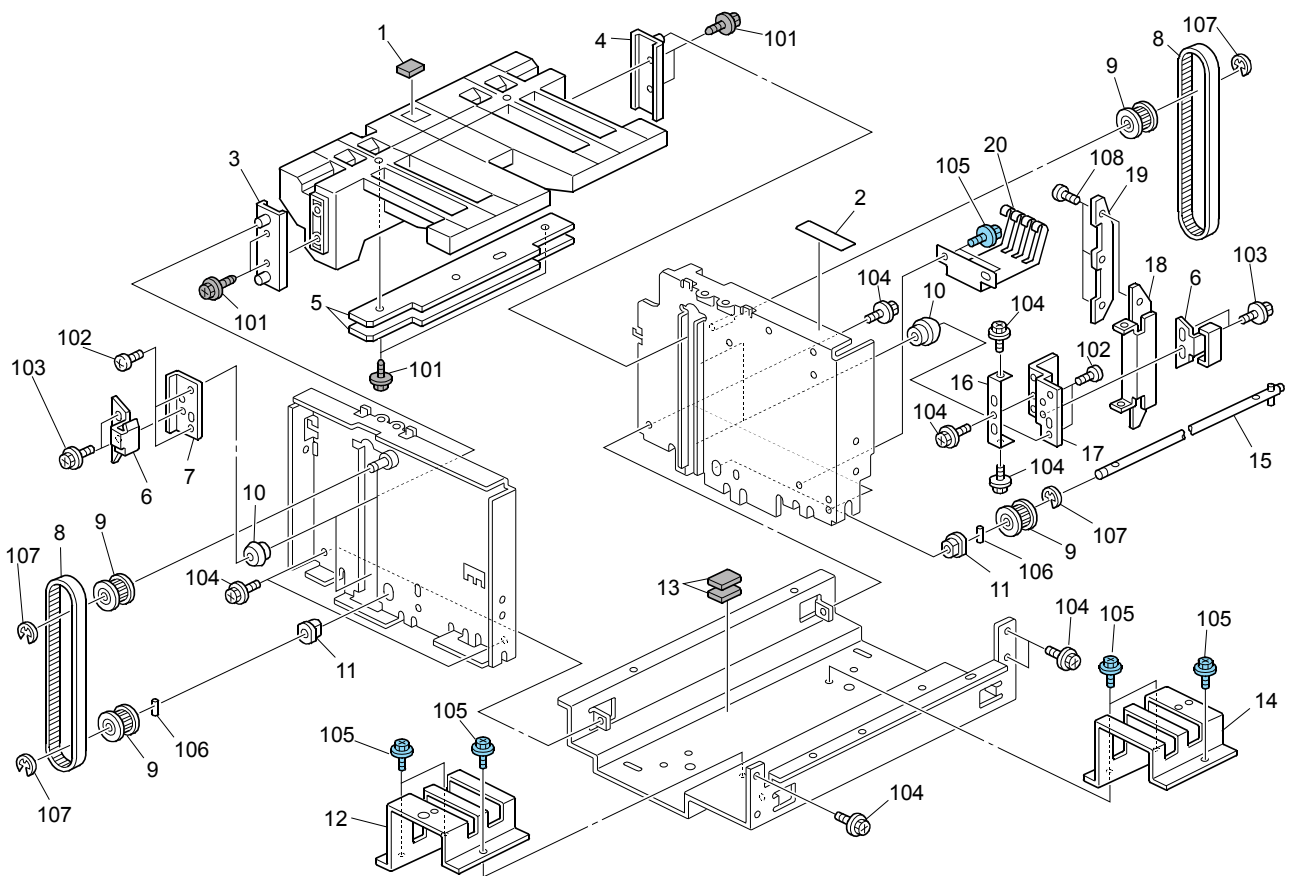
EXTERIOR	1
1ST/2ND TRAY UNIT 1	2
1ST/2ND TRAY UNIT 2	3
3RD TRAY UNIT 1	4
3RD TRAY UNIT 2	5
PAPER REGISTRATION 1	6
PAPER REGISTRATION 2	7
TRANSPORT SECTION 1	8
TRANSPORT SECTION 2	9
TRANSPORT SECTION 3	10
DRIVE SECTION	11
ELECTRICAL SECTION	12
FRAME 1	13
FRAME 2	14
FRAME 3	15
DECALS AND DOCUMENTS 1	16
DECALS AND DOCUMENTS 2	17



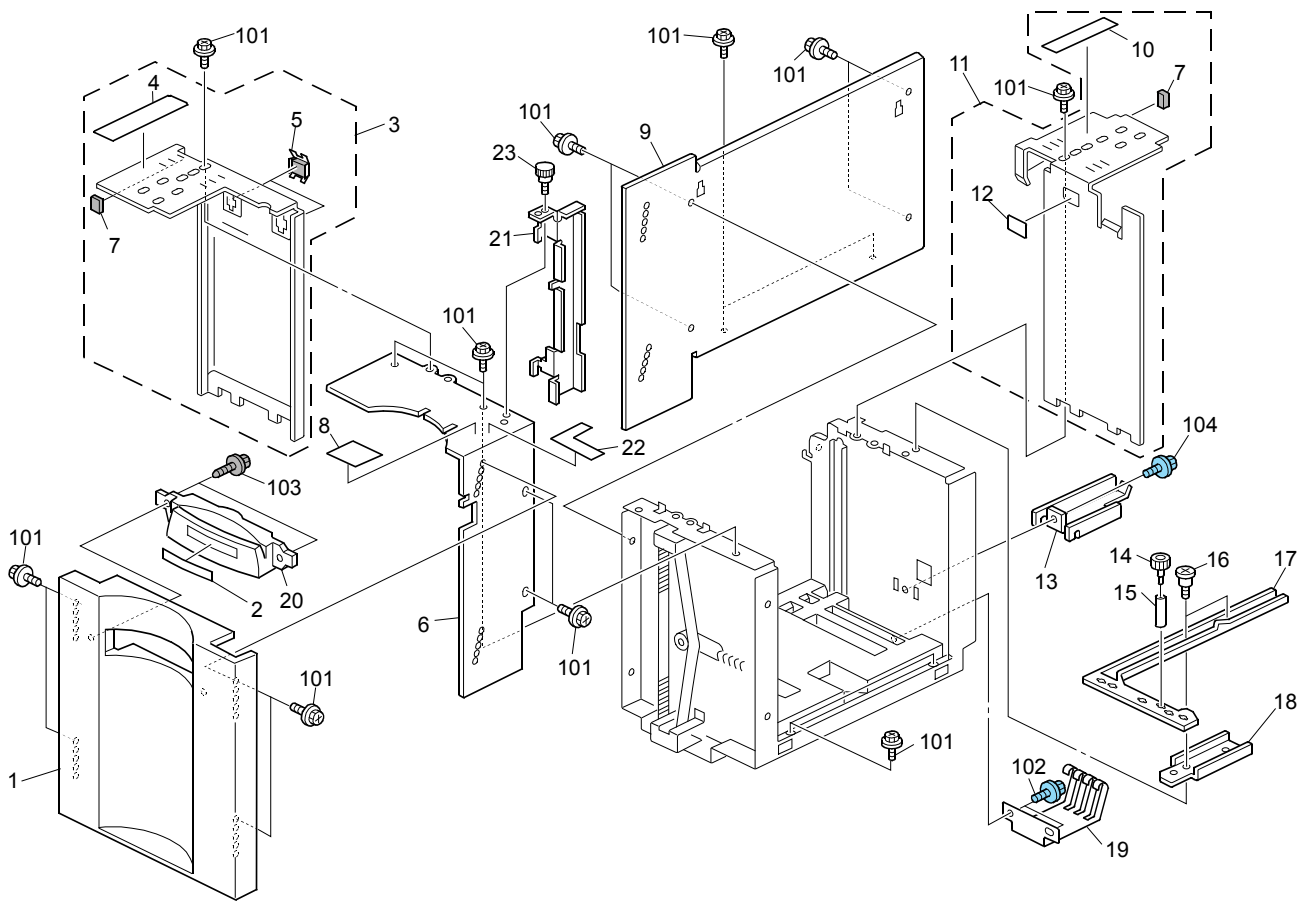
ITEM NO.	PARTS NO.	PARTS NAME	Q'TY / PAGE	Q'TY / PACK	P	I	R	BSI NO.	TO	T	FROM	SERIAL NO.	REMARKS	C
1	B5112785	End Fence:Tab	1											
2	B8321308	Decal - Paper Size	1											
3	B8321101	Positioning Pin - Lower	2											
4	B8321100	Positioning Pin - Upper	2											
5	B8321371	Spacer Cushion	1											
6	B8321374	Cover Cushion - Front Lef	1											
7	B8321376	Cover Cushion - Front Mid	2											
8	B8321344	Decal - End Fence Tab	1											
9	B8321372	Cover Cushion - Right	1											
10	B5111370	Cover:Upper	1											
11	B0241365	Cap - 38x77	3											
12	B5111378	Cover:Cover:Upper	1											
13	B5111379	Cover - Rear	1											
14	B5111386	Cover:Right:Key Counter	1											
15	B5111385	Cover:Right	1											
16	B8322729	Tray Cushion	1											
17	54472681	Snap Ring	1											
18	B5111360	Cover:Left	1											
19	B8321309	Decal - Misfeed Removal	1											
20	B8321368	Cover Magnet Catch - Left	1											
21	B8321595	Door Cover - Small	2											
22	B1321226	Holder:Stand	4											
101	0950008Z	Philips Truss Screw - M4x												
102	0450008N	Tapping Screw - M4x8												
103	0451008N	Tapping Screw:4x8												
104	0451012N	Tapping Screw:4x12												



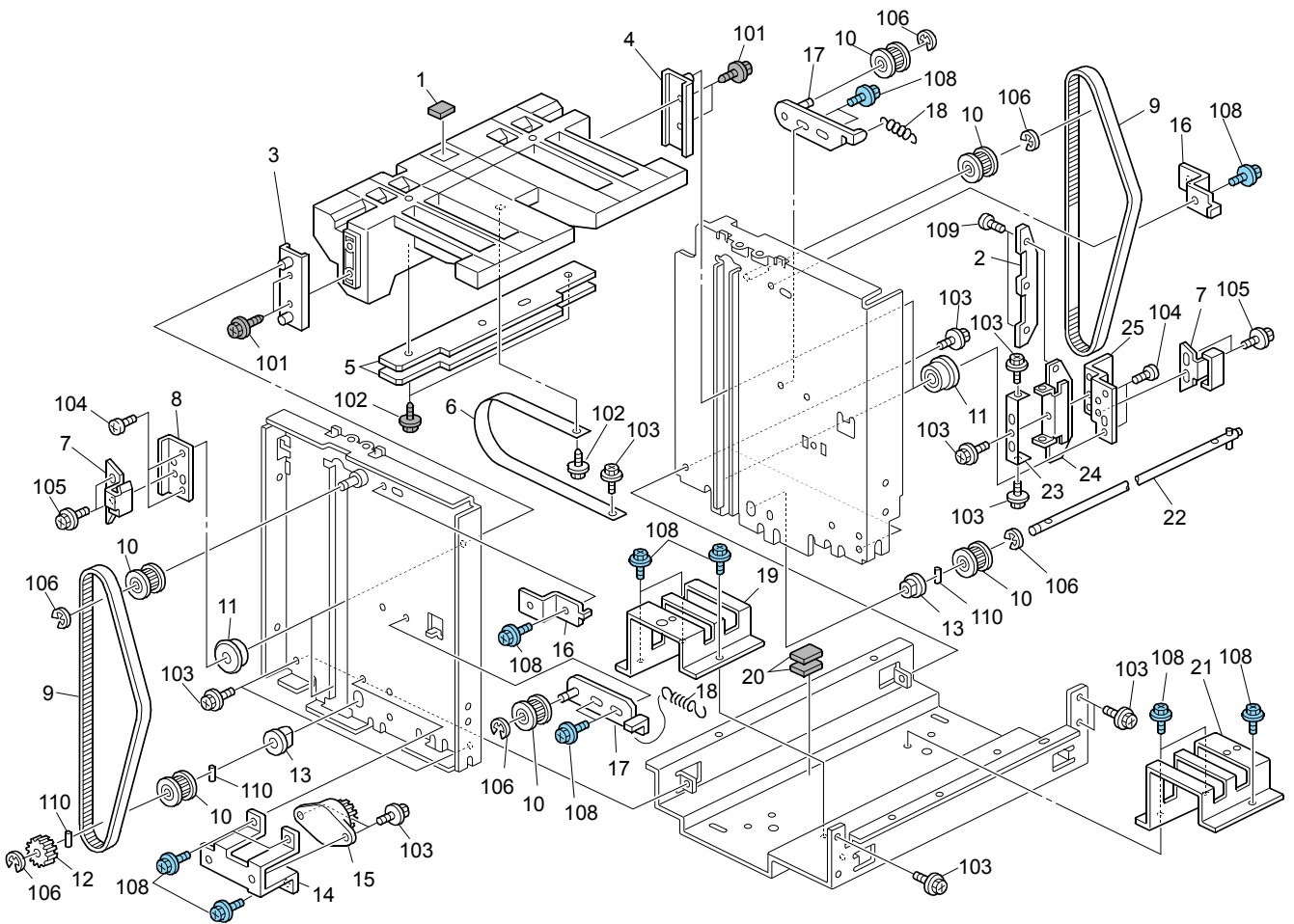
ITEM NO.	PARTS NO.	PARTS NAME	Q'TY / PAGE	Q'TY / PACK	P	I	R	B S I NO.	T O	T	F R O M	S E R I A L NO.	R E M A R K S	C
1	B8321380	Tray Cover (s)	1											
2A	B5112895	Stopper:End Fence:No.4	1											
2B	B5112896	Stopper:End Fence:No.5	1											
3A	B8321312	Decal - Display (4)	1											
3B	B8321313	Decal - Display (5)	1											
4	B8322877	Knob Screw:Tray:Guide:Gre	2											
5A	B8322871	No.1,2 Side Fence - Front	1											
5B	B3032871	Side Fence:Front:No.1,2:A	1											
6	B8321304	Decal - Side Fence Front	1											
7	B3032777	Paper Guide Mylar	2											
8	B8322823	Upper Cover - Duplex Tray	1											
9	B8321341	Decal - End Fence Size In	1											
10	B5112783	Guide Fence Bracket	1											
11	B5112660	Slider:End Fence	1											
12	AA143857	Screw - M4X5	2											
13	B5112788	Silicone Tube:End Fence	1											
14	B8322787	Knob Screw:End Fence:Pres	1											
15	AA143562	Screw:M4:Dia6x1.2	2											
16	B5112886	Sensor Bracket	1											
17	B3032898	Spring Plate	1											
18	B3032888	Paper Size Lever	1											
19	B5112897	Paper Size Actuator	1											
20A	B8322898	No.1,2 Side Fence - Rear	1											
20B	B5112875	Side Fence:Rear:No.1,2:As	1											
21	B8321305	Decal - Side Fence Rear	1											
22	B5112674	Decal:Display:Paper Volum	1											
23	B8322821	Guide Plate - Front	1											
24	B3032645	Noise Absorber Seal - 16.	2											
25	B5112852	End Fence:Front:1k	1											
26	B2476634	Grip - Paper Tray Cover	1											
27	B8321343	Decal - Paper Supply 4-5	1											
101	0451008N	Tapping Screw:4x8												
102	0454006Q	Tapping Screw - M3x6												
103	0450010N	Tapping Screw - M3x10												



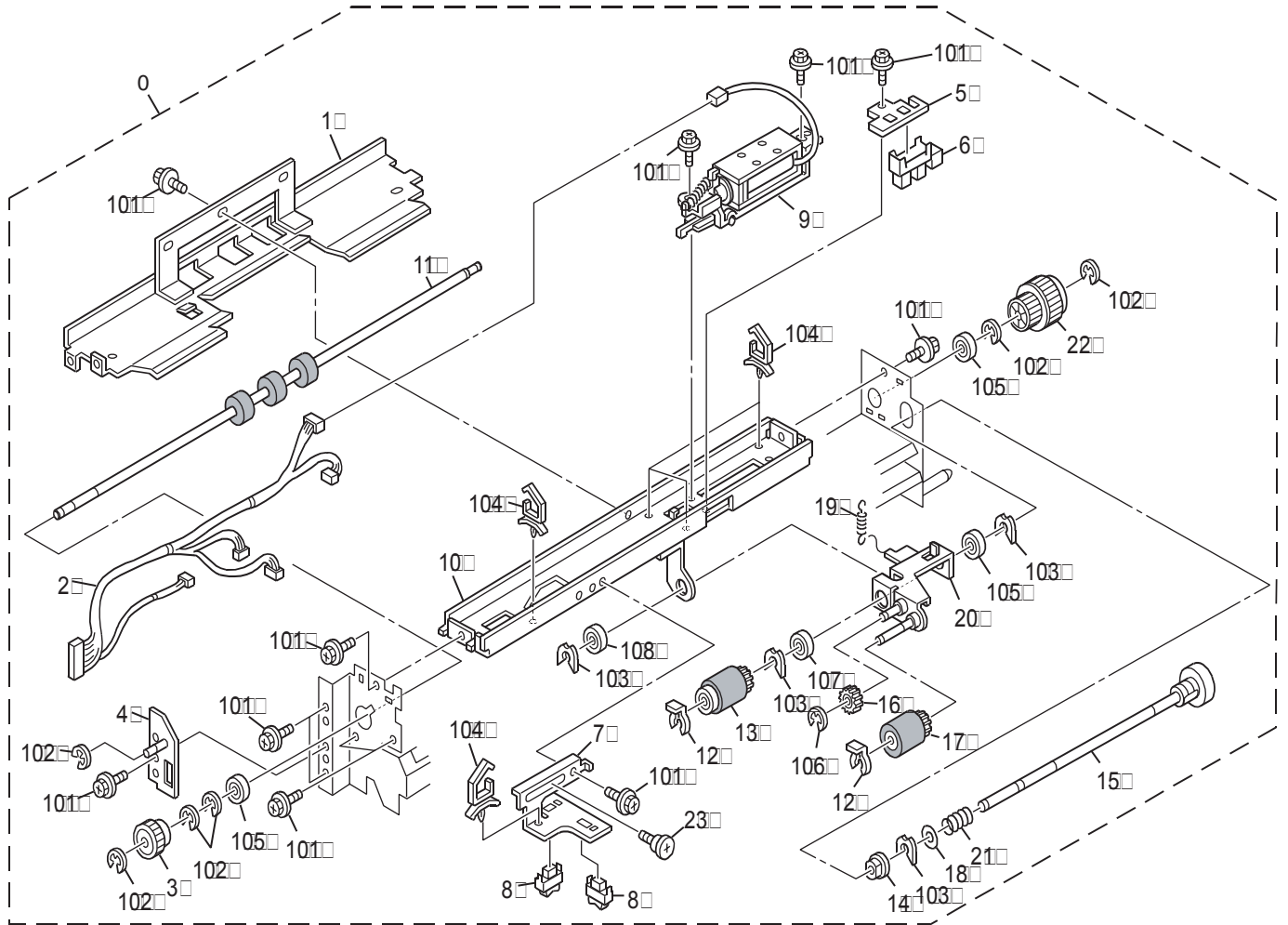
ITEM NO.	PARTS NO.	PARTS NAME	Q'TY / PAGE	Q'TY / PACK	P	I	R	B S I NO.	T O	T	F R O M	S E R I A L NO.	R E M A R K S	C
1	A6672656	Friction Pad	1											
2	B3031303	Decal - Paper Size	1											
3	B5112439	Bracket:Paper Tray:Front	1											
4	B5112438	Bracket:Paper Tray:Rear	1											
5	B5112737	Weight Plate	2											
6	B5432660	Belt Fix Bracket	2											
7	B5112742	Bracket	1											
8	AA043910	Timing Belt - B100S5M435	2											
9	AB030548	Pulley - 16T	4											
10	A3354351	Guide Roller	4											
11	AA082096	Bushing - 8x12x7	2											
12	B5112728	Side Fence Stay - Front	1											
13	B8322729	Tray Cushion	2											
14	B5112729	Side Fence Stay - Rear	1											
15	B3032851	Paper Lift Shaft - 1k	1											
16	B8322757	Spring Plate	1											
17	B5112752	Bracket	1											
18	B5112747	Paper Actuator	1											
19	B3032748	Actuator Cover	1											
20	B3032723	Grounding Plate	1											
101	0450014P	Tapping Screw - 4x14												
102	0354060N	Screw-m4x6												
103	0451008N	Tapping Screw:4x8												
104	0451008N	Tapping Screw:4x8												
105	0454006Q	Tapping Screw - M3x6												
106	0633140G	Parallel Pin - 3x14												
107	0720060E	Retaining Ring - M6												
108	0314040N	Pan Head Screw - M4x4												



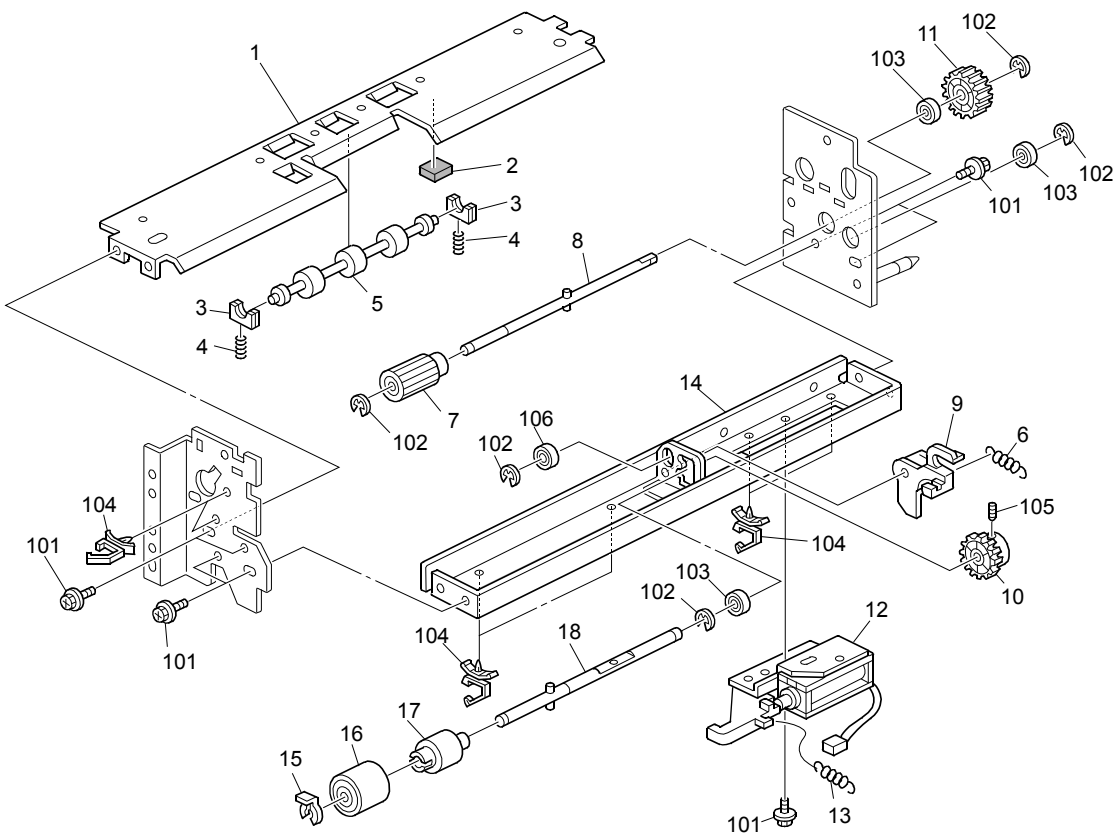
ITEM NO.	PARTS NO.	PARTS NAME	Q'TY / PAGE	Q'TY / PACK	P	I	R	B S I NO.	T O	T	F R O M	S E R I A L NO.	R E M A R K S	C
1	B8321381	Tray Cover (1)	1											
2	B8321314	Decal - Display (6)	1											
3	B5112769	Side Fence:Front:No.3:Ass	1											
4	B8321304	Decal - Side Fence Front	1											
5	B3032777	Paper Guide Mylar	2											
6	B8322723	Tray Cover - Upper	1											
7	B3032645	Noise Absorber Seal - 16.	2											
8	B8321311	Decal - Paper Supply (6)	1											
9	B8322721	Guide Plate - Front	1											
10	B8321305	Decal - Side Fence Rear	1											
11	B5112774	Side Fence:Rear:No.3:Ass'	1											
12	B5112674	Decal:Display:Paper Volum	1											
13	B5112727	Sensor Bracket	1											
14	B8322787	Knob Screw:End Fence:Pres	1											
15	B5112788	Silicone Tube:End Fence	1											
16	AA143857	Screw - M4X5	2											
17	B8322660	End Fence Slider	1											
18	B5112783	Guide Fence Bracket	1											
19	B3032723	Grounding Plate	1											
20	B2476634	Grip - Paper Tray Cover	1											
21	B5112857	End Fence:Front:2.5k	1											
22	B5111342	Decal - End Fence Size In	1											
23	B8322877	Knob Screw:Tray:Guide:Gre	1											
101	0451008N	Tapping Screw:4x8												
102	0454006Q	Tapping Screw - M3x6												
103	0450010N	Tapping Screw - M3x10												
104	0454008Q	Tapping Screw:3x8												



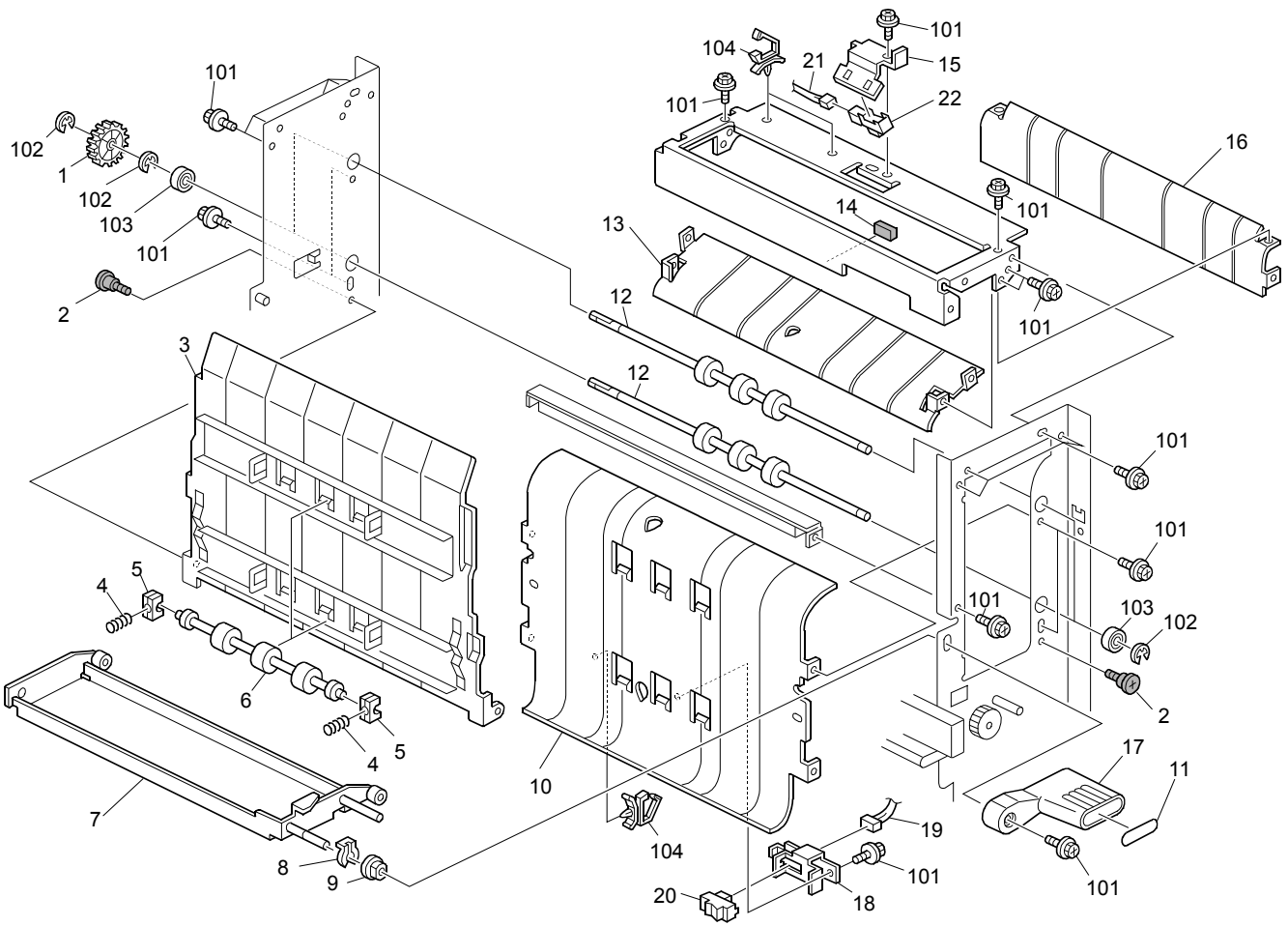
ITEM NO.	PARTS NO.	PARTS NAME	Q'TY / PAGE	Q'TY / PACK	P I R	B S I NO.	T O	T	F R O M	S E R I A L NO.	R E M A R K S	C
1	A6672656	Friction Pad	1									
2	B3032748	Actuator Cover	1									
3	B5112439	Bracket:Paper Tray:Front	1									
4	B5112438	Bracket:Paper Tray:Rear	1									
5	B5112737	Weight Plate	1									
6	B3032734	Paper Stopper	1									
7	B5432660	Belt Fix Bracket	2									
8	B5112742	Bracket	1									
9	AA043909	Timing Belt - B100S5M780	2									
10	AB030548	Pulley - 16T	6									
11	A3354351	Guide Roller	4									
12	AB014140	Gear - 24Z	1									
13	AA082096	Bushing - 8x12x7	2									
14	B5112793	Oil Damper Bracket	1									
15	B3032791	Oil Dumper	1									
16	B5112736	Side Plate Bracket	2									
17	B5112761	Tightener Bracket	2									
18	A2672787	Tension Spring - Lock Lev	2									
19	B5112728	Side Fence Stay - Front	1									
20	B8322729	Tray Cushion	2									
21	B5112729	Side Fence Stay - Rear	1									
22	B3032751	Paper Lift Shaft - 2.5k	1									
23	B8322757	Spring Plate	1									
24	B5112747	Paper Actuator	1									
25	B5112752	Bracket	1									
101	0450014P	Tapping Screw - 4x14										
102	0450010N	Tapping Screw - M3x10										
103	0451008N	Tapping Screw:4x8										
104	0354060N	Screw-m4x6										
105	0451008N	Tapping Screw:4x8										
106	0720060E	Retaining Ring - M6										
107	0454008Q	Tapping Screw:3x8										
108	0454006Q	Tapping Screw - M3x6										
109	0314040N	Pan Head Screw - M4x4										
110	0633140G	Parallel Pin - 3x14										



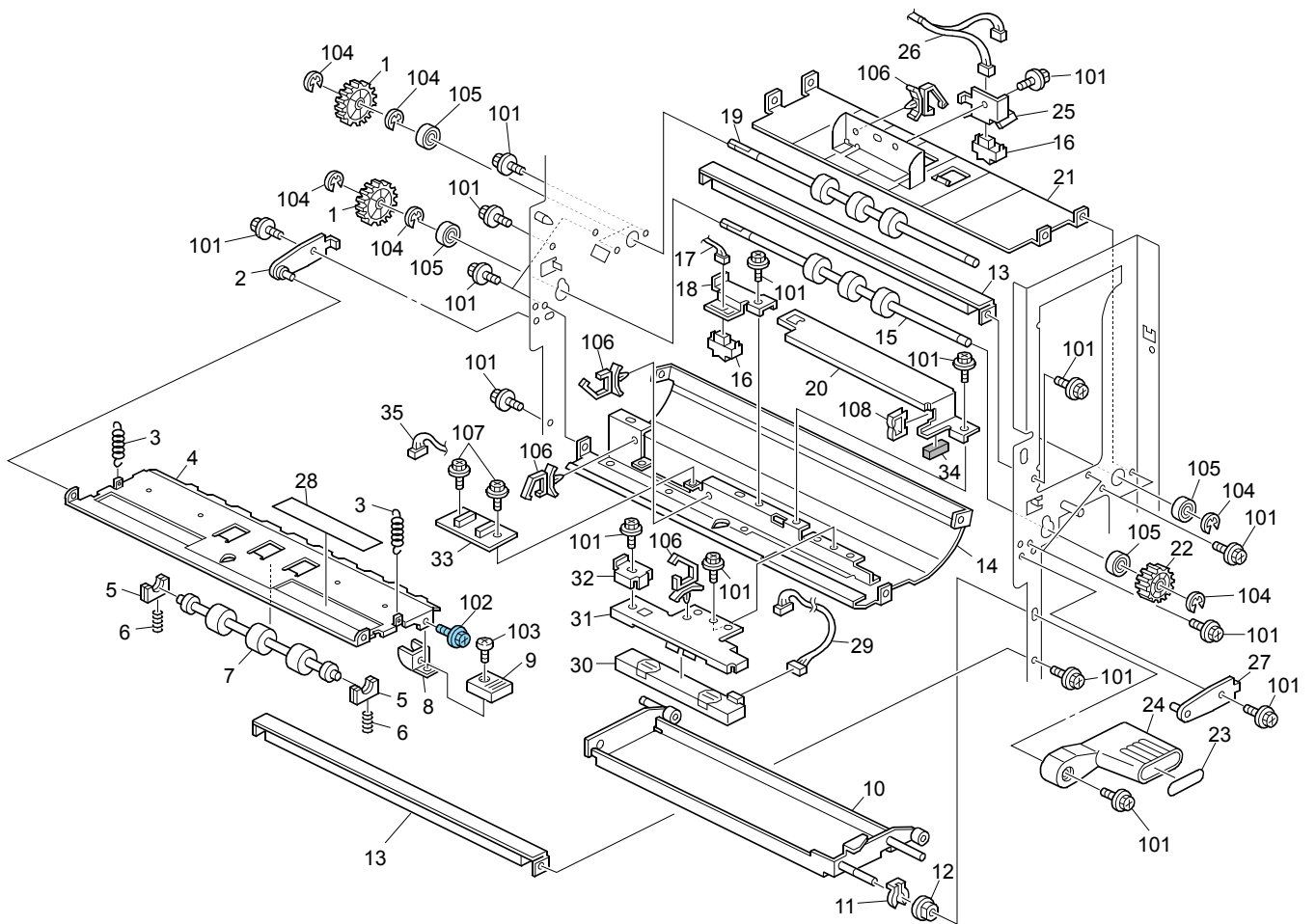
ITEM NO.	PARTS NO.	PARTS NAME	Q'TY / PAGE	Q'TY / PACK	P	I	R	B S I NO.	T O	T	F R O M	S E R I A L NO.	R E M A R K S	C
0	B8322500	Paper Feed Unit	1											
1	B8322520	Guide Plate - Feed	1											
2	B8325311	Harness - Paper Feed Unit	1											
3	AB011478	Gear - 18Z	1											
4	B8322631	Stay	2											
5	B5112677	Sensor Bracket	1											
6	AW020145	Photointerruptor:Flat	1											
7	B8322577	Paper Feed Sensor Bracket	1											
8	AW010122	Paper Feed Sensor	2											
9	B8322578	DC Solenoid 24V	1											
10	B8322571	Stay:Feed:Peen	1											
11	AF021410	Transport Roller	1											
12	AA100014	Retaining Ring C - Separa	2											
13	AF031081	Paper Feed Roller:Feed:Ma	1											
14	AA083015	Roller Clutch	2											
15	B8322585	Feed Roller Shaft	1											
16	54472706	Gear - 15T	1											
17	AF030080	Paper Feed Roller:Pickup	1											
18	B1324119	Spacer:Gear:Idler	1											
19	AA066677	Tension Spring	1											
20	B8322574	Pickup Arm	1											
21	AA063204	Compression Spring	1											
22	AB017724	Gear - 23Z/28Z	1											
23	AA143812	Screw - Scale	1											
101	0451008N	Tapping Screw:4x8												
102	0720060E	Retaining Ring - M6												
103	08050088	Retaining Ring - M6												
104	11050511	Harness Clamp - LWS-0306Z												
105	07423808	Ball Bearing - 8x16x5												
106	0720040E	Retaining Ring - M4												
107	07413708	Ball Bearing - 8x12x3.5mm												



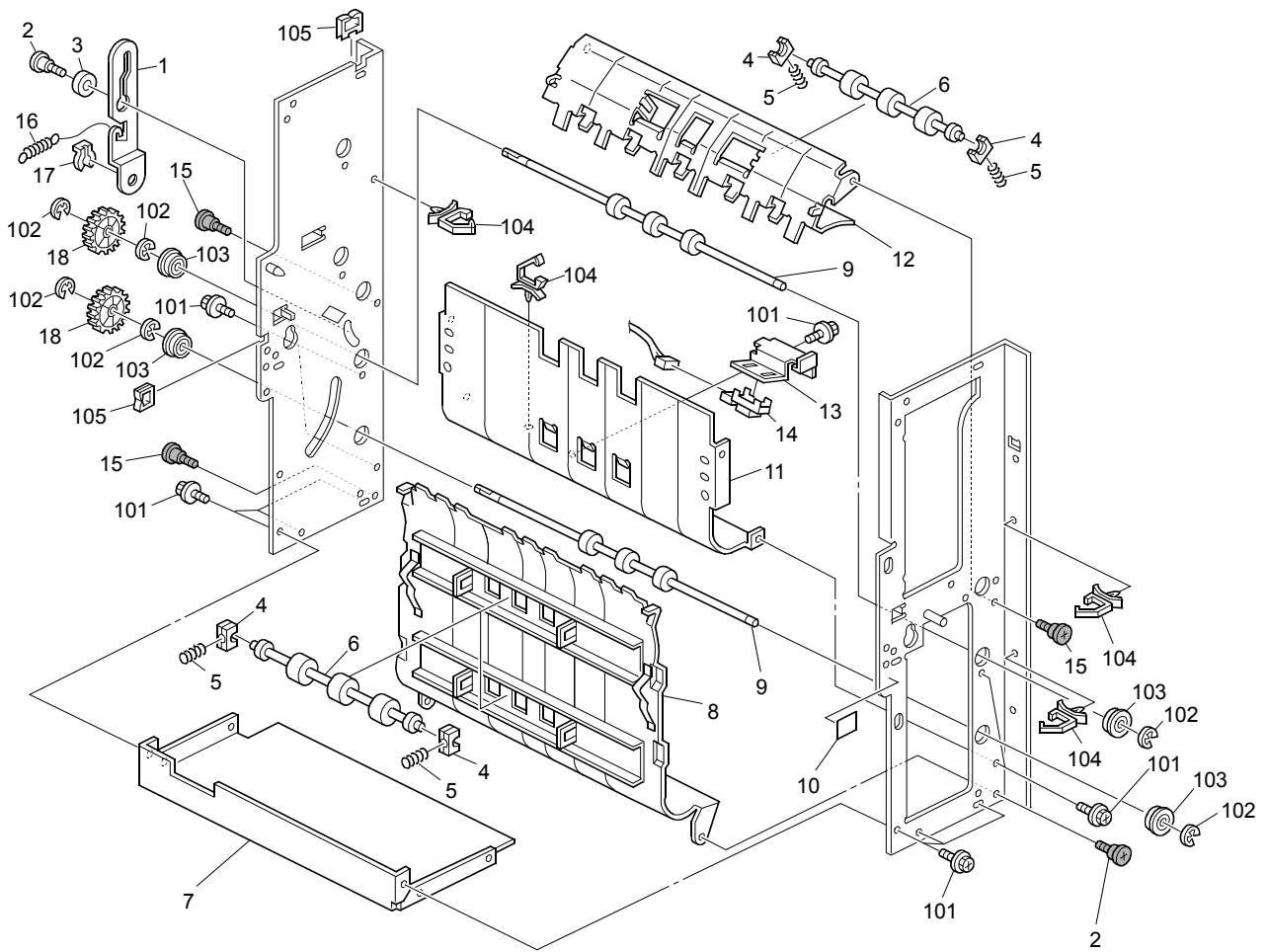
ITEM NO.	PARTS NO.	PARTS NAME	Q'TY / PAGE	Q'TY / PACK	P	I	R	BSI NO.	TO	T	FROM	SERIAL NO.	REMARKS	C
1	B8322535	Reverse Guide Plate	1											
2	A2292692	Damping Insulation	1											
3	AA084059	Ball Bearing Holder	2											
4	B8332565	Compression Spring	2											
5	B8342568	Transport Roller - Driven	1											
6	B8332567	Tension Spring	1											
7	AB011392	Drive Reverse Gear - 24z	1											
8	B2346222	Reverse Drive Shaft	1											
9	B3032556	Reverse Pressure Lever	1											
10	AB011591	Gear:Reverse	1											
11	BB013008	Gear - 31Z	1											
12	B8322558	DC Solenoid 24V	1											
13	AA060575	Release Spring	1											
14	B8322541	Stay	1											
15	AA100014	Retaining Ring C - Separat	1											
16	AF032080	Paper Feed Roller:Separat	1											
17	B2346300	Torque Limiter	1											
18	B2346223	Driven Reverse Shaft	1											
101	0451008N	Tapping Screw:4x8												
102	0720040E	Retaining Ring - M4												
103	07413706	Ball Bearing - 6x10x3												
104	11050511	Harness Clamp - LWS-0306Z												
105	0573030E	Hexagon Headless Set Scre												
106	07413506	Ball Bearing - 6x12x4mm												



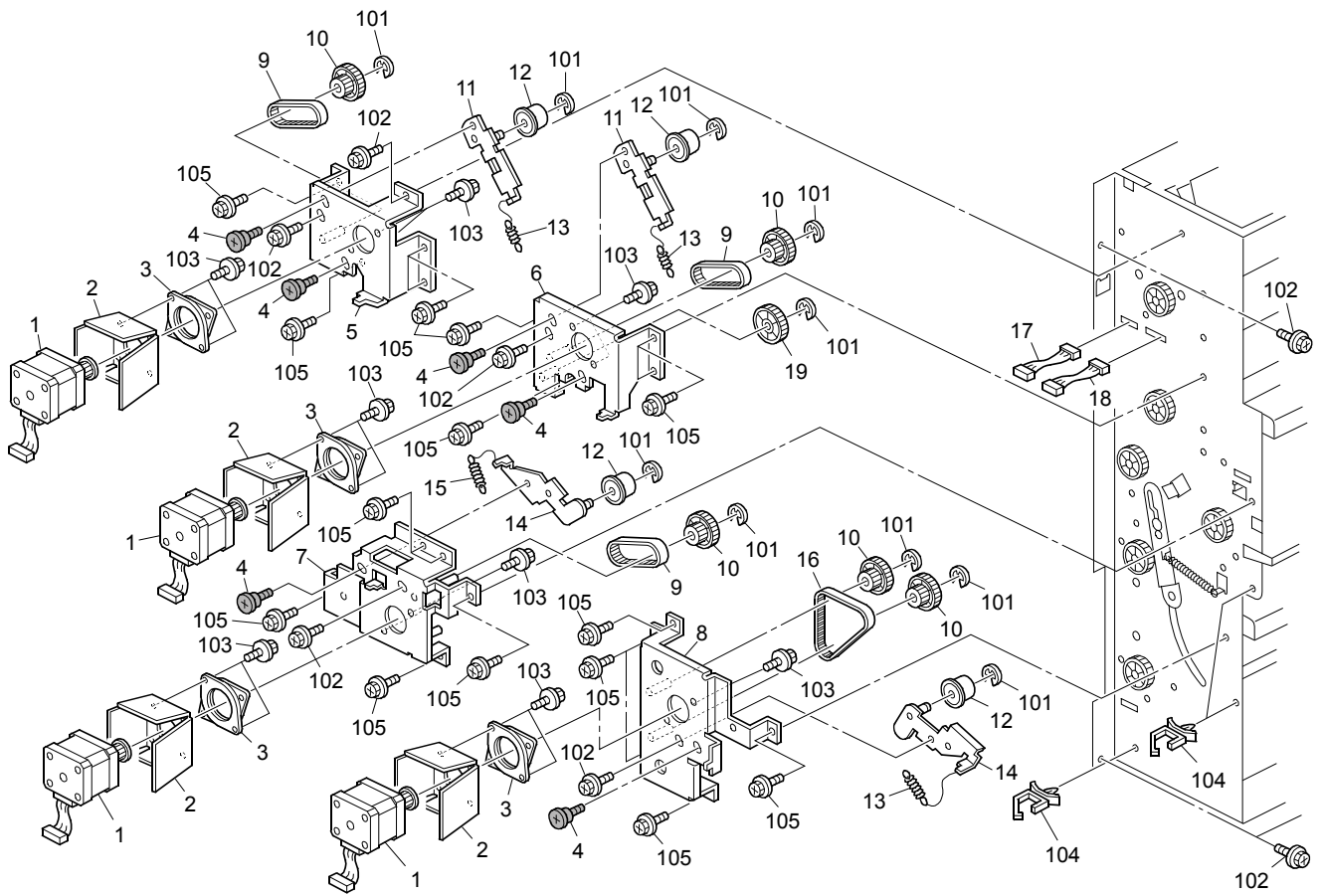
ITEM NO.	PARTS NO.	PARTS NAME	Q'TY / PAGE	Q'TY / PACK	P	I	R	B S I NO.	T O	T	F R O M	S E R I A L NO.	R E M A R K S	C
1	AB013654	Gear - 30Z	2											
2	AA143810	Development Cover Screw	2											
3	B8323615	Guide Plate - Upper	1											
4	AA066675	Compression Spring	4											
5	AA084059	Ball Bearing Holder	4											
6	B8342568	Transport Roller - Driven	2											
7	B5113751	Guide Plate Release Stay	1											
8	54472681	Snap Ring	1											
9	AA082070	Bushing - 8x16x7	1											
10	B8323687	Guide Plate - Upper Right	1											
11	B3031306	Decal - Instruction	1											
12	AF021411	Drive Transport Roller -	2											
13	B5113302	Guide Plate - Lower	1											
14	B8323909	Bracket Cushion	1											
15	B8323656	Transport Sensor Bracket	1											
16	B5113306	Guide Plate - 7	1											
17	B3033682	Misfeed Removal Knob	1											
18	B8323883	Sensor Bracket	1											
19	B8325330	Harness - Sensor 6	1											
20	AW010122	Paper Feed Sensor	1											
21	B8325301	Harness - Sensor Floor Way	1											
22	AW010118	Paper Feed Sensor	1											
101	0451008N	Tapping Screw:4x8												
102	0720060E	Retaining Ring - M6												
103	07423808	Ball Bearing - 8x16x5												
104	11050511	Harness Clamp - LWS-0306Z												



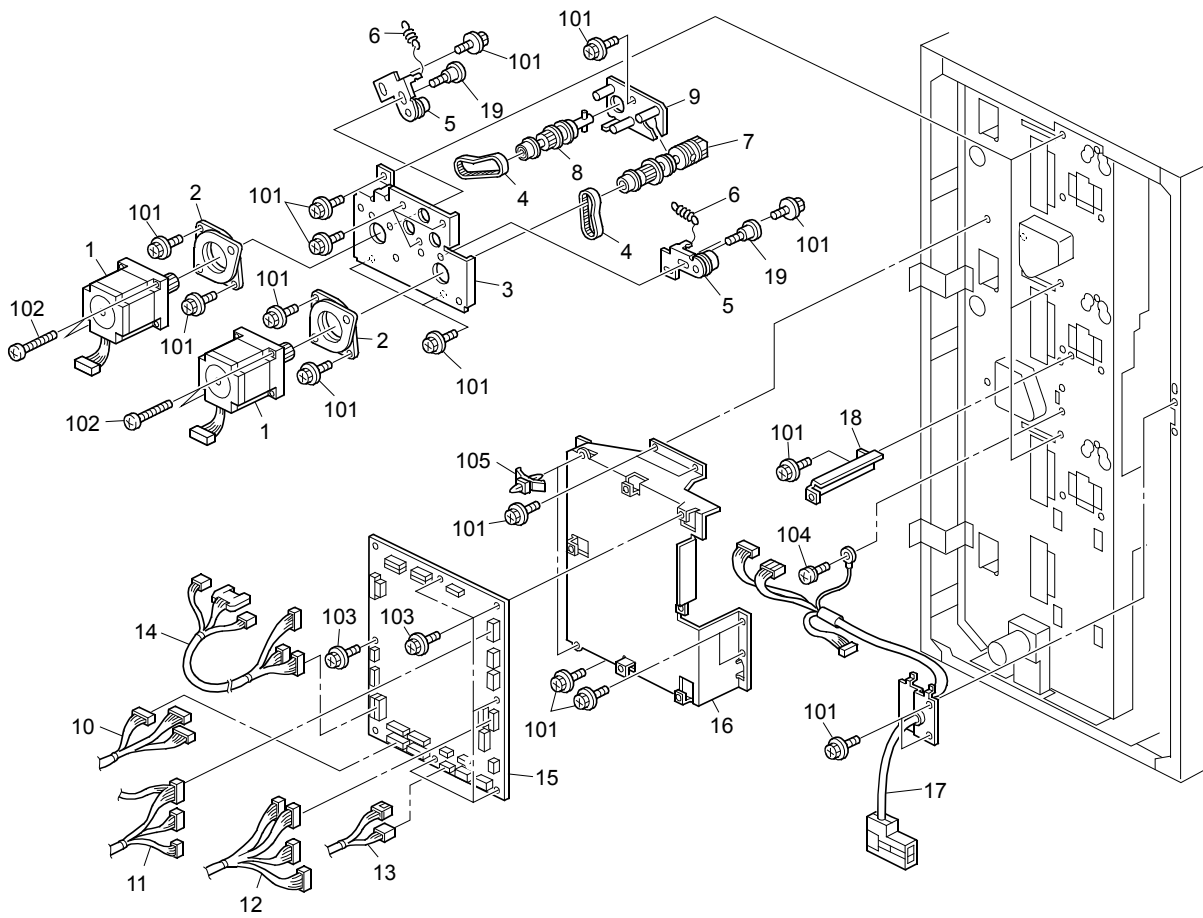
ITEM NO.	PARTS NO.	PARTS NAME	Q'TY / PAGE	Q'TY / PACK	P I R	B S I NO.	T O	T	F R O M	S E R I A L NO.	R E M A R K S	C
1	AB013654	Gear - 30Z	2									
2	B8323950	Contact Point Bracket - R	1									
3	AA066680	Spring	2									
4	B8323920	Guide Plate - Lower	1									
5	AA084059	Ball Bearing Holder	2									
6	AA066675	Compression Spring	2									
7	B8342568	Transport Roller - Driven	1									
8	B5113637	Lever	1									
9	A3532243	Lever Knob	1									
10	B5113761	Guide Plate Release Stay	1									
11	54472681	Snap Ring	1									
12	AA082070	Bushing - 8x16x7	1									
13	B5113817	Stay: Misfeed Removal: Stop	2									
14	B8323930	Exit Guide Plate - Middle	1									
15	AF021413	Drive Transport Roller -	1									
16	AW010122	Paper Feed Sensor	1									
17	B8325318	Harness - Sensor Exit	1									
18	B8323915	Cover - Paper Feed Sensor	1									
19	AF021412	Drive Transport Roller -	1									
20	B8323911	PCB Cover	1									
21	B8323688	Entrance Guide Plate - Mi	1									
22	AB014152	Gear - 32Z	1									
23	B3031307	Decal - Instruction	1									
24	B3033682	Misfeed Removal Knob	1									
25	B8323654	Transport Sensor Stay - E	1									
26	B8325302	Harness - Sensor Middle	1									
27	B8323940	Contact Point Bracket	1									
28	B8323925	Sheet - Registration Sens	1									
29	B8325340	Harness - Registration Se	1									
30	B2342750	Contact Image Sensor	1									
31	B8323685	Sensor Bracket	1									
32	B8323745	Registration Sensor Brack	1									
33	B2345280	PCB CRB	1									
34	B8323909	Bracket Cushion	1									
35	B8325317	Harness - Interface Crb	1									
101	0451008N	Tapping Screw: 4x8										
102	0454008Q	Tapping Screw: 3x8										
103	0313040N	Screw: M3x4										
104	0720060E	Retaining Ring - M6										
105	07423808	Ball Bearing - 8x16x5										
106	11050511	Harness Clamp - LWS-0306Z										
107	0451008N	Tapping Screw: 4x8										
108	11050358	Edge Saddle - EDS-0607M										



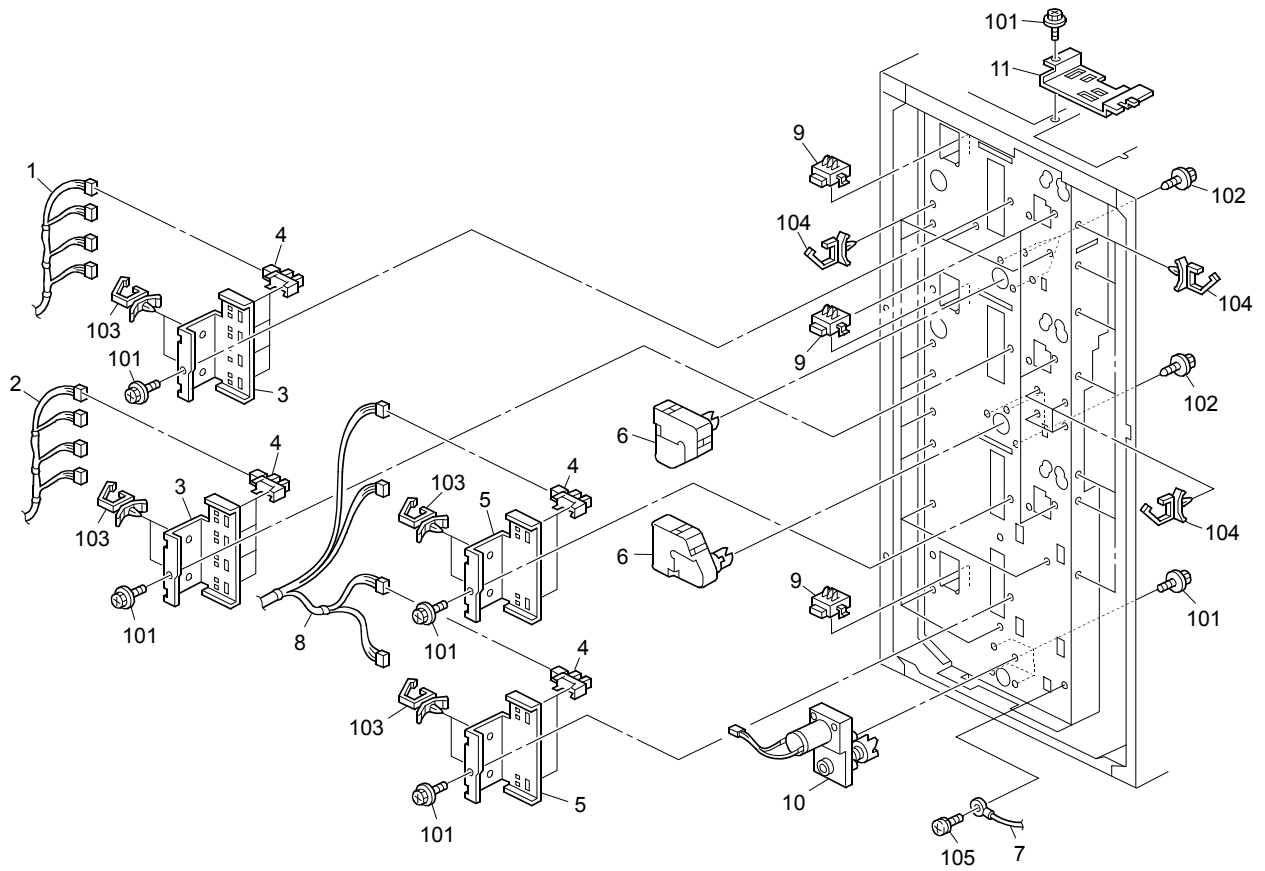
ITEM NO.	PARTS NO.	PARTS NAME	Q'TY / PAGE	Q'TY / PACK	P	I	R	BSI NO.	TO	T	FROM	SERIAL NO.	REMARKS	C
1	B5113680	Linkage Bracket	1											
2	54082035	Stepped Screw - M4	4											
3	B3033685	Link Spacer	4											
4	AA084059	Ball Bearing Holder	6											
5	AA066675	Compression Spring	6											
6	B8342568	Transport Roller - Driven	3											
7	B3033830	Upper Support Stay	1											
8	B8323694	Guide Plate - Lower Left	1											
9	AF021412	Drive Transport Roller -	2											
10	B8321320	Decal - Knob (u6)	1											
11	B8323689	Guide Plate - Lower Right	1											
12	B5113621	Guide Plate - Link	1											
13	B8323655	Transport Sensor Bracket	1											
14	AW010118	Paper Feed Sensor	1											
15	AA143810	Development Cover Screw	3											
16	AA066670	Tension Spring	1											
17	52152621	Snap Ring - M6	1											
18	AB013654	Gear - 30Z	2											
101	0451008N	Tapping Screw:4x8												
102	0720060E	Retaining Ring - M6												
103	07423808	Ball Bearing - 8x16x5												
104	11050511	Harness Clamp - LWS-0306Z												
105	11050358	Edge Saddle - EDS-0607M												



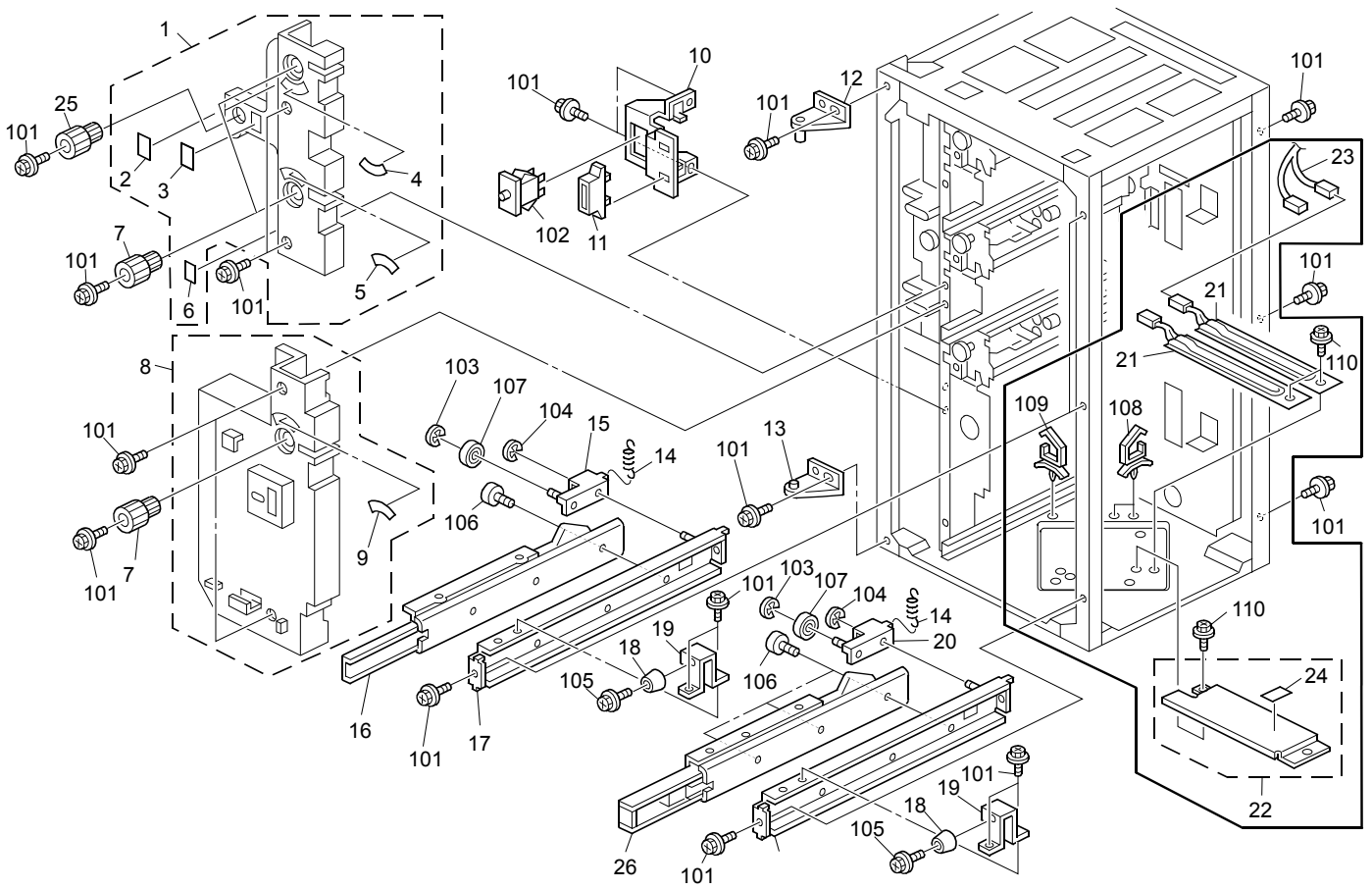
ITEM NO.	PARTS NO.	PARTS NAME	Q'TY / PAGE	Q'TY / PACK	P	I	R	B S I NO.	T O	T	F R O M	S E R I A L NO.	R E M A R K S	C
1	AX040158	Stepper Motor DC2.64V 6.3	3											
2	B8323510	Heat Sink	3											
3	A2324666	Cushion - Stepper Motor	3											
4	AA143810	Development Cover Screw	4											
5	B8323585	Bracket:Drive:Upper:Peen	1											
6	B8323575	Drive Bracket - Entrance	1											
7	B8323595	Drive Bracket - Exit	1											
8	B8323565	Drive Bracket - Lower	5											
9	AA042551	Timing Belt - S2M128	1											
10	AB032725	Timing Pulley - 25T/30Z	1											
11	B8323775	Tension Bracket	1											
12	AB030665	Idler Pulley - 18z	1											
13	B2346508	Tension Spring	3											
14	B8323785	Tension Bracket - Lower	1											
15	AA066670	Tension Spring	1											
16	AA042552	Timing Belt - B60S2M176	2											
17	B8325306	Harness - Sensor Transpor	1											
18	B8325305	Harness - Sensor Middle	1											
19	AB032726	Gear - 30Z	4											
101	0720060E	Retaining Ring - M6												
102	0451008N	Tapping Screw:4x8												
103	0451006N	Tapping Screw - 3x6												
104	11050511	Harness Clamp - LWS-0306Z												
105	0454006Q	Tapping Screw - M3x6												



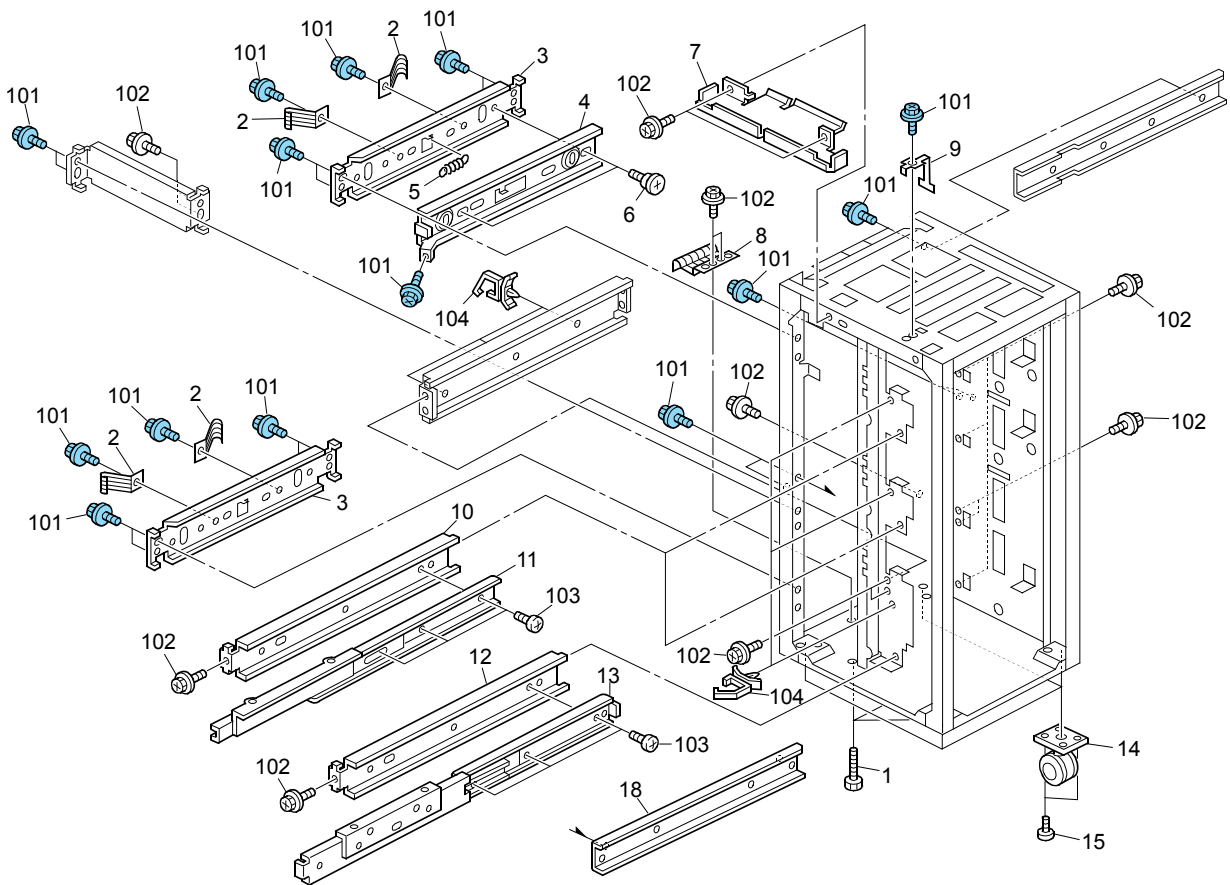
ITEM NO.	PARTS NO.	PARTS NAME	Q'TY / PAGE	Q'TY / PACK	P	I	R	B S I NO.	T O	T	F R O M	S E R I A L NO.	R E M A R K S	C
1	AX040157	Stepper Motor DC1.68V 6.7	2											
2	AA161122	Motor Cushion	2											
3	B8321725	Drive Bracket - Paper Fee	3											
4	AA042550	Timing Belt - S2M138	2											
5	B8321750	Tension Bracket	2											
6	B2346508	Tension Spring	2											
7	B8321730	Drive Shaft - Grip	1											
8	B8321740	Drive Shaft - Paper Feed	1											
9	B8321718	Drive Bracket	1											
10	B8325312	Harness - Paper Feed Unit	1											
11	B8325300	Harness - Stepper Motor	1											
12	B8325307	Harness - Interface	1											
13	B8325303	Harness - Safety Switch	1											
14	B8325313	Harness - Transport Senso	1											
15	B8325110	PCB A4 Large Capacity Tra	1											
16	B8321088	PWB Bracket	1											
17	B8325190	Harness - Interface	1											
18	B5111595	Stay:Cover:Rear	2											
19	AA143562	Screw:M4:Dia6x1.2	2											
101	0451008N	Tapping Screw:4x8												
102	0314080N	Philips Pan Head Screw -												
103	0451008N	Tapping Screw:4x8												
104	0950008Z	Philips Truss Screw - M4x												
105	11050194	PCB Stud												



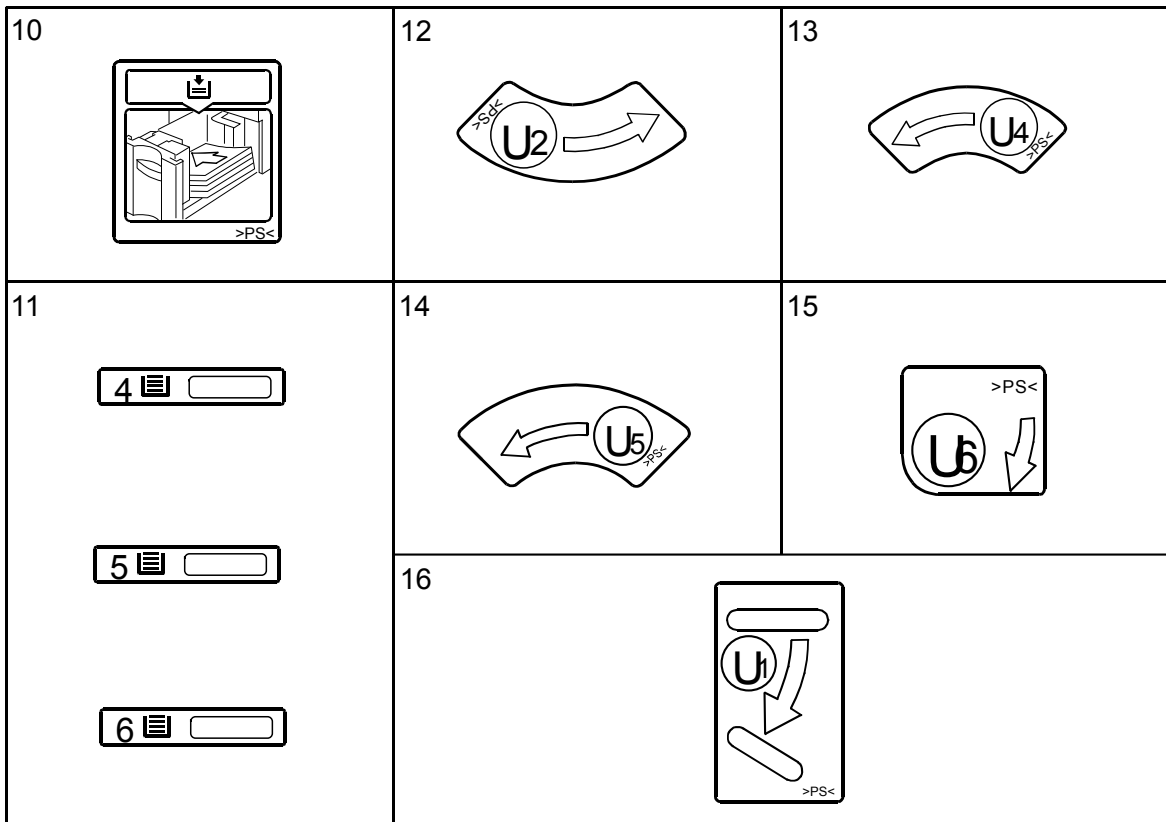
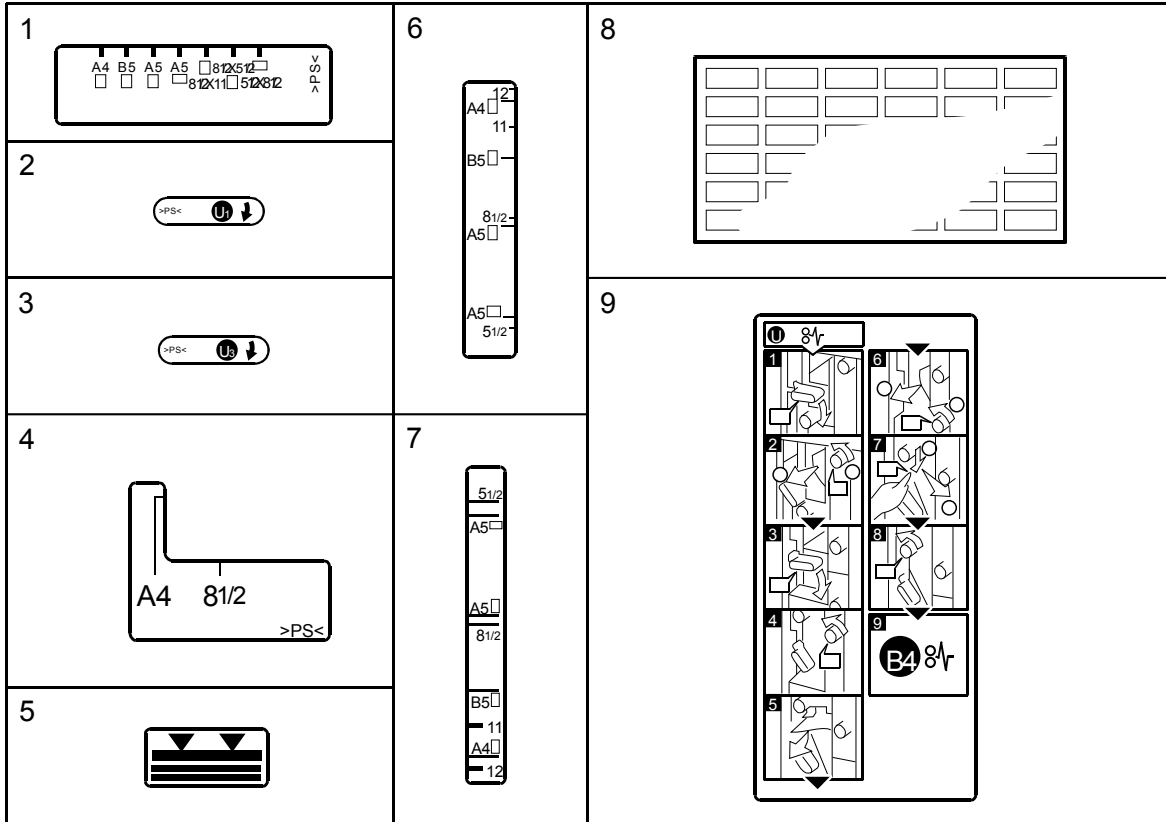
ITEM NO.	PARTS NO.	PARTS NAME	Q'TY / PAGE	Q'TY / PACK	P I R	B S I NO.	T O	T	F R O M	S E R I A L NO.	R E M A R K S	C
1	B8325308	Harness - Paper Volume Se	1									
2	B8325309	Harness - Paper Volume Se	1									
3	B3031181	Sensor Bracket	2									
4	AW020145	Photointerruptor:Flat	12									
5	B3031182	Sensor Bracket	2									
6	B1326760	DC Motor 24V 19.6W	2									
7	B8325315	Harness - Earth	1									
8	B8325310	Harness - Paper Volume Se	1									
9	H5155054	Paper Size Sensor	1									
10	B8321021	DC Motor 24V 19.6W	1									
11	B8321065	Connector Bracket	1									
101	0451008N	Tapping Screw:4x8										
102	0451010N	Tapping Screw:4x10										
103	11050508	Harness Clamp - LWS-0711										
104	11050488	Harness Clamp										
105	0950008Z	Philips Truss Screw - M4x										




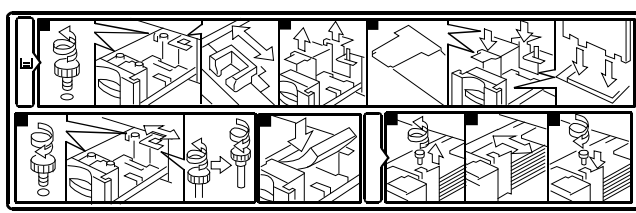

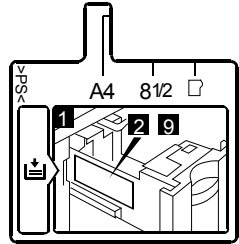
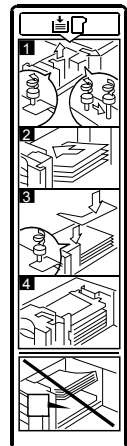
ITEM NO.	PARTS NO.	PARTS NAME	Q'TY / PAGE	Q'TY / PACK	P I R	B S I NO.	T O	T	F R O M	S E R I A L NO.	R E M A R K S	C
1	B8321461	Inner Cover - Upper	1									
2	B8321331	Decal - Misfeed Removal (2									
3	B8321333	Decal - Misfeed Removal (2									
4	B8321316	Decal - Knob (U2)	1									
5	B8321318	Decal - Knob (U4)	1									
6	B8321332	Decal - Misfeed Removal (4									
7	B8320067	Knob - Misfeed Removal	1									
8	B8321462	Inner Cover - Lower	1									
9	B8321319	Decal - Knob (U5)	1									
10	B8321171	Safety Switch Bracket	1									
11	AG071012	Magnet Catch:Ass'y	2									
12	B5111034	Hinge:Cover:Upper:Peen	1									
13	B5111355	Lower Hinge	1									
14	AA060814	Lock Spring	1									
15	B5111132	Arm Lock Bracket	3									
16	B3031125	Right Slide Rail	3									
17	B5111137	Support Stay	4									
18	54462560	Cushion - Paper Tray	16									
19	B5111136	Rail Bracket	1									
20	B5111139	Arm Lock Bracket	1									
21	AX400012	Heater - 230V/18W	1									
22	B8343870	Cover:Dehumidifier:Heater	1									
23	B8325316	Harness - Heater	1									
24	GA000036	Decal - (high Temperature	1									
25	AG050067	Knob - Transport Roller	1									
26	B3031155	Right Slide Rail	1									
101	0451008N	Tapping Screw:4x8										
102	12042382	Interlock Switch - Fail-c										
103	0720060E	Retaining Ring - M6										
104	0720040E	Retaining Ring - M4										
105	0451010N	Tapping Screw:4x10										
106	0453008N	Binding Self Tapping Scre										
107	07403808	Ball Bearing - 8x16x5mm										
108	11050310	Harness Clamp - LWS-1S										
109	11050292	Wire Saddle										
110	0314060N	Screw - M4x6										



ITEM NO.	PARTS NO.	PARTS NAME	Q'TY / PAGE	Q'TY / PACK	P I R	B S I NO.	T O	T	F R O M	S E R I A L NO.	R E M A R K S	C
1	AA143798	Hexagonal Bolt:M12x35	3									
2	B3031116	Grounding Plate	1									
3	B5111112	Support Stay	1									
4	B5111114	Support Stay	1									
5	AA066671	Lock Spring	1									
6	AA140912	Screw - 8X14X2.8	1									
7	B8321373	Cover - Upper Front	1									
8	B8321183	Ground Plate - Lower	1									
9	B5112895	Stopper:End Fence:No.4	1									
10	B5111147	Support Stay	1									
11	B3031145	Left Slide Rail	1									
12	B3031147	Support Stay	1									
13	B3031165	Left Slide Rail	1									
14	AH012014	Caster - 60kgf	4									
15	A5071096	Philips Screw - M5x6	8									
101	0454008Q	Tapping Screw:3x8										
102	0451008N	Tapping Screw:4x8										
103	0453008N	Binding Self Tapping Scre										
104	11050488	Harness Clamp										



ITEM NO.	PARTS NO.	PARTS NAME	Q'TY / PAGE	Q'TY / PACK	P I R	B S I NO.	T O	T	F R O M	S E R I A L NO.	R E M A R K S	C
1	B3031303	Decal - Paper Size										
2	B3031306	Decal - Instruction										
3	B3031307	Decal - Instruction										
4	B5111342	Decal - End Fence Size In										
5	B5112674	Decal:Display:Paper Volum										
6	B8321304	Decal - Side Fence Front										
7	B8321305	Decal - Side Fence Rear										
8	B8321308	Decal - Paper Size										
9	B8321309	Decal - Misfeed Removal										
10	B8321311	Decal - Paper Supply (6)										
11A	B8321312	Decal - Display (4)										
11B	B8321313	Decal - Display (5)										
11C	B8321314	Decal - Display (6)										
12	B8321316	Decal - Knob (U2)										
13	B8321318	Decal - Knob (U4)										
14	B8321319	Decal - Knob (U5)										
15	B8321320	Decal - Knob (u6)										
16	B8321331	Decal - Misfeed Removal (

<p>17</p> 	<p>20</p> 	
<p>18</p> 	<p>19</p> 	<p>21</p> 

ITEM NO.	PARTS NO.	PARTS NAME	Q'TY / PAGE	Q'TY / PACK	P I R	B S I NO.	T O	T	F R O M	S E R I A L NO.	R E M A R K S	C
17	B8321332	Decal - Misfeed Removal (
18	B8321333	Decal - Misfeed Removal (
19	B8321341	Decal - End Fence Size In										
20	B8321343	Decal - Paper Supply 4-5										
21	B8321344	Decal - End Fence Tab										

TOSHIBA

TOSHIBA TEC CORPORATION

2-17-2, HIGASHIGOTANDA, SHINAGAWA-KU, TOKYO, 141-8664, JAPAN