

TOSHIBA

SERVICE PARTS LIST

Bridge Unit

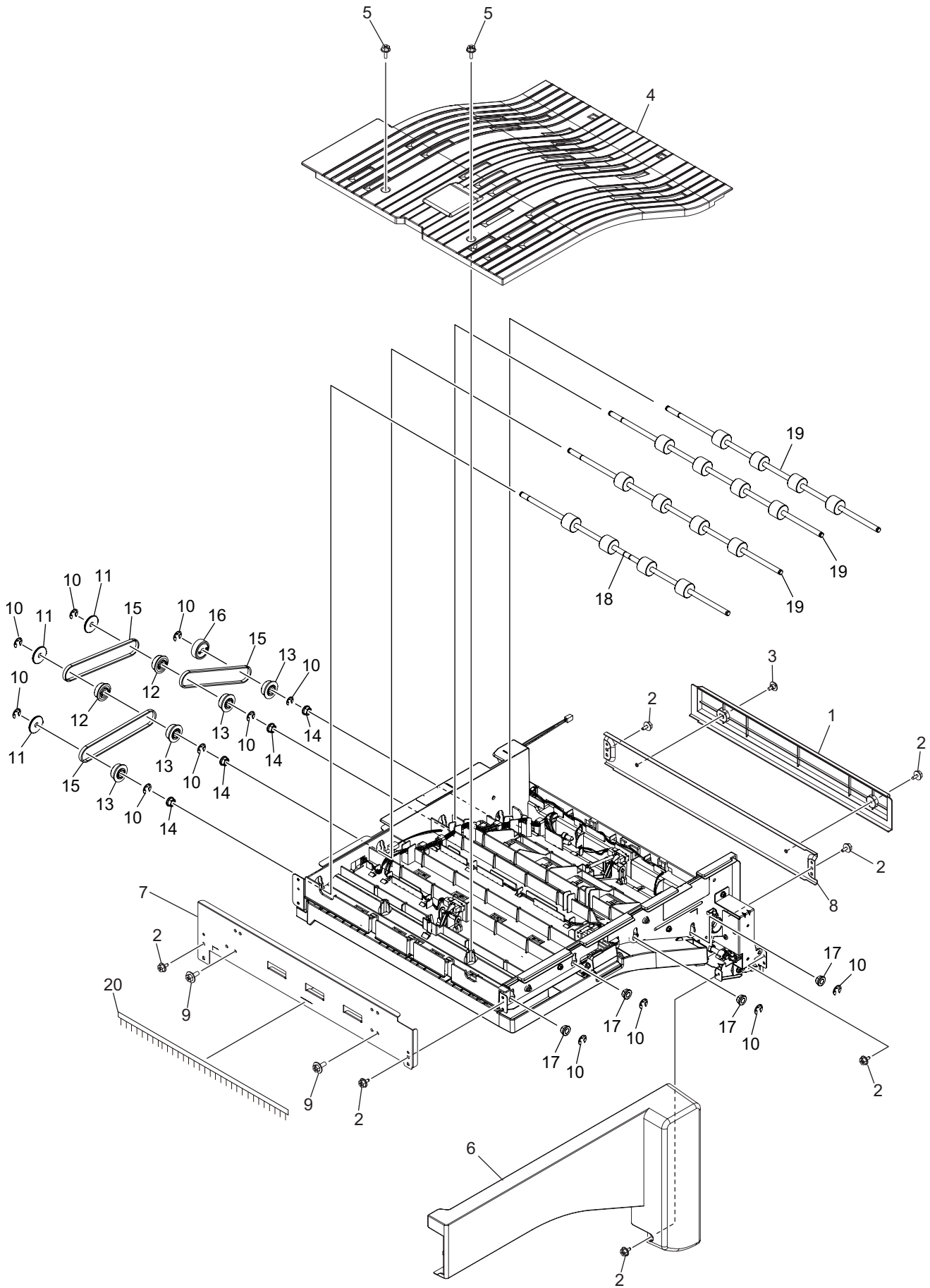
KN-5005

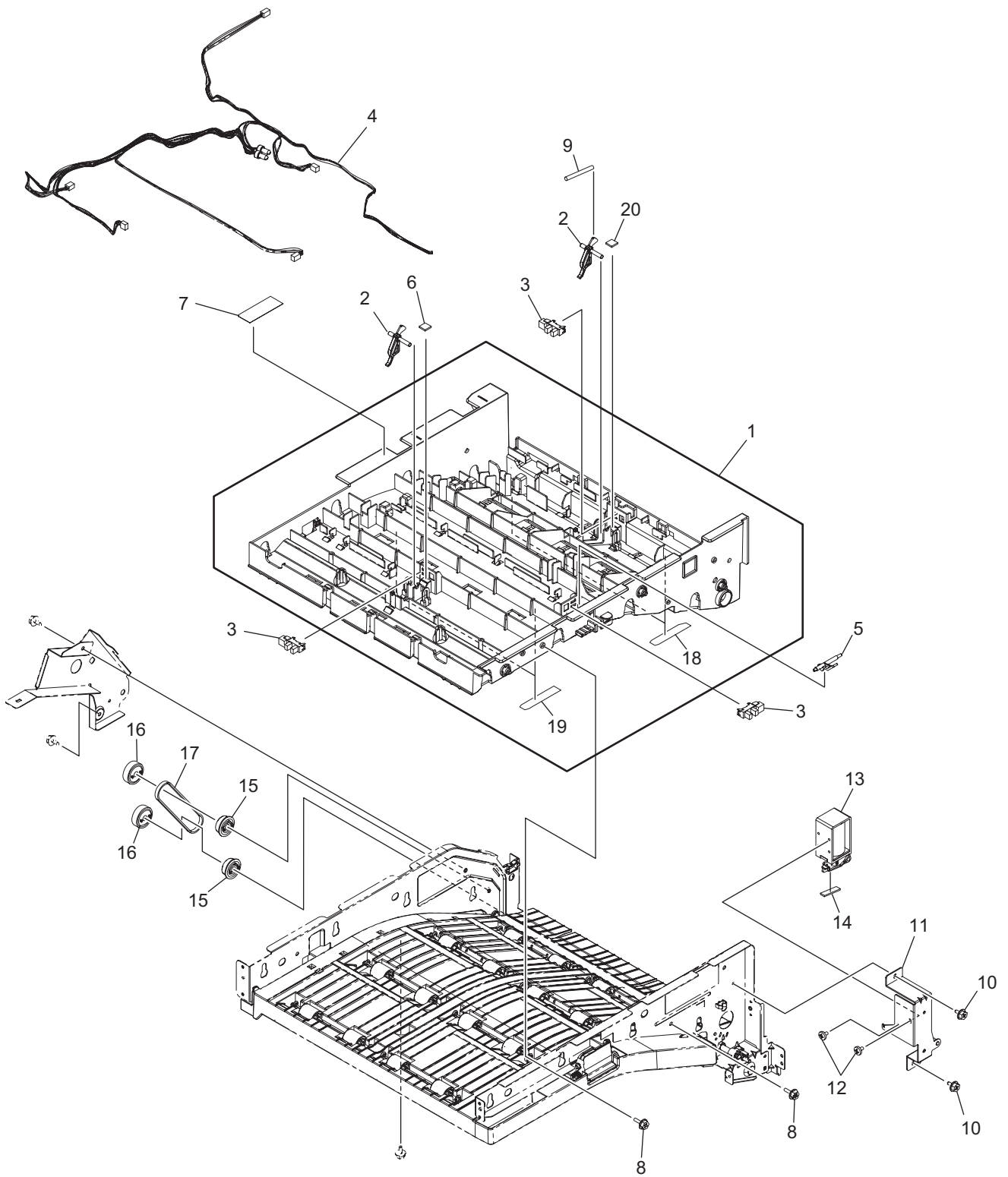
© 2016 TOSHIBA TEC CORPORATION All rights reserved

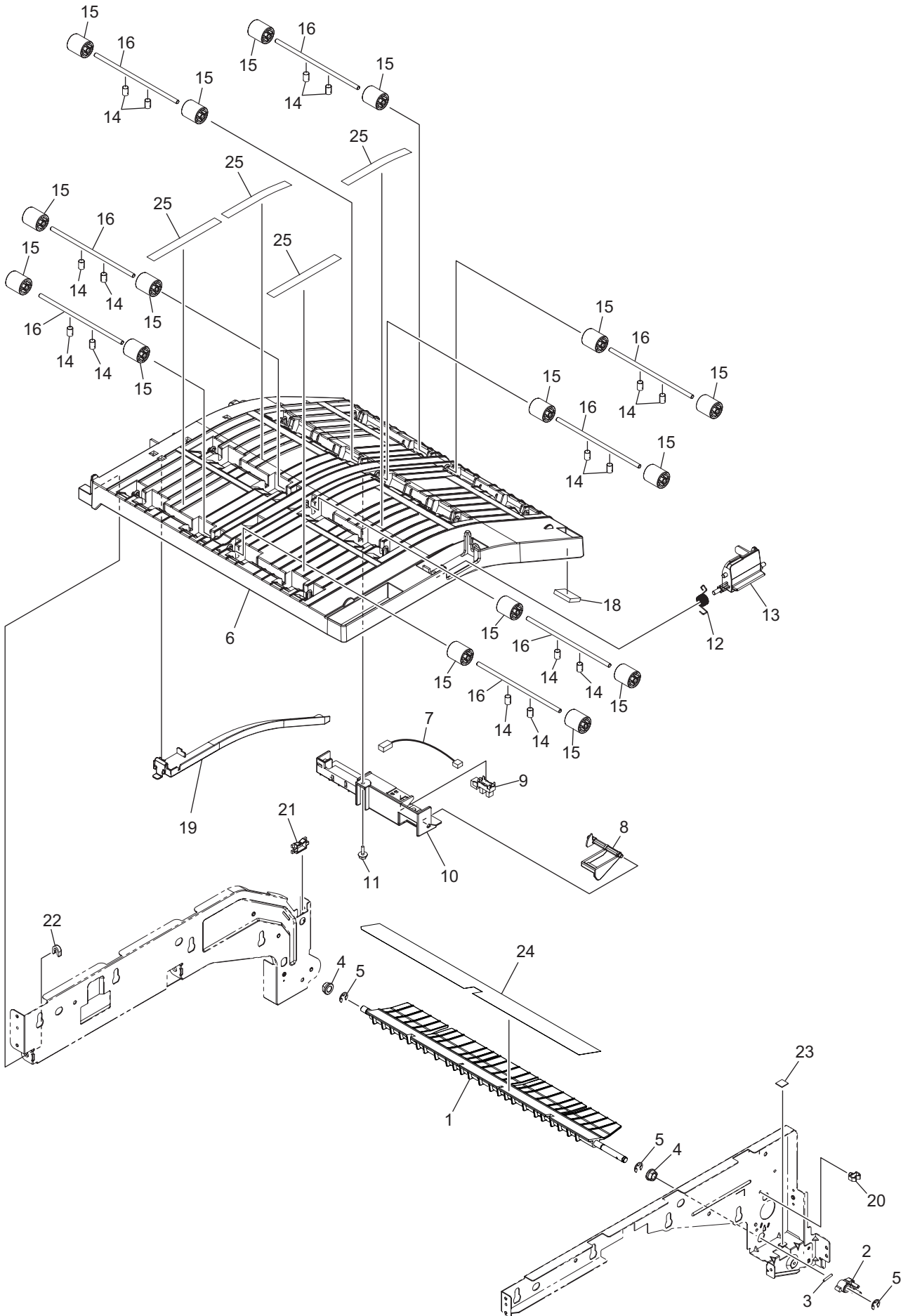
Under the copyright laws, this manual cannot be reproduced in any form without prior written permission of TOSHIBA TEC CORPORATION. No patent liability is assumed, however, with respect to the use of the information contained herein.

CONTENTS

BRIDGE-KIT-1.....	1
BRIDGE-KIT-2.....	2
BRIDGE-KIT-3.....	3







TOSHIBA

TOSHIBA TEC CORPORATION

1-11-1, OSAKI, SHINAGAWA-KU, TOKYO, 141-8562, JAPAN