

TOSHIBA

SERVICE PARTS LIST

Paper Feed Pedestal

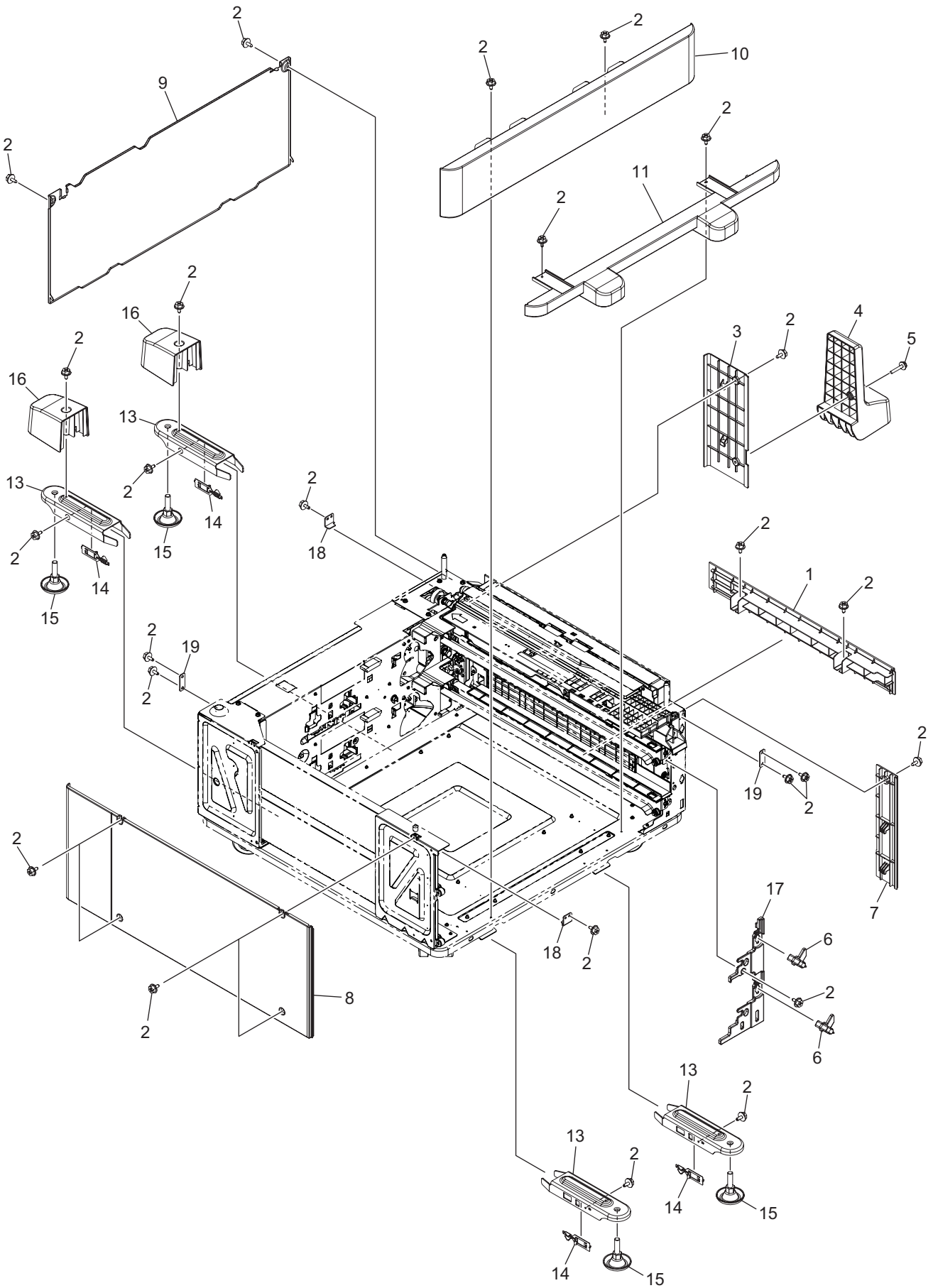
KD-1058

© 2016 TOSHIBA TEC CORPORATION All rights reserved

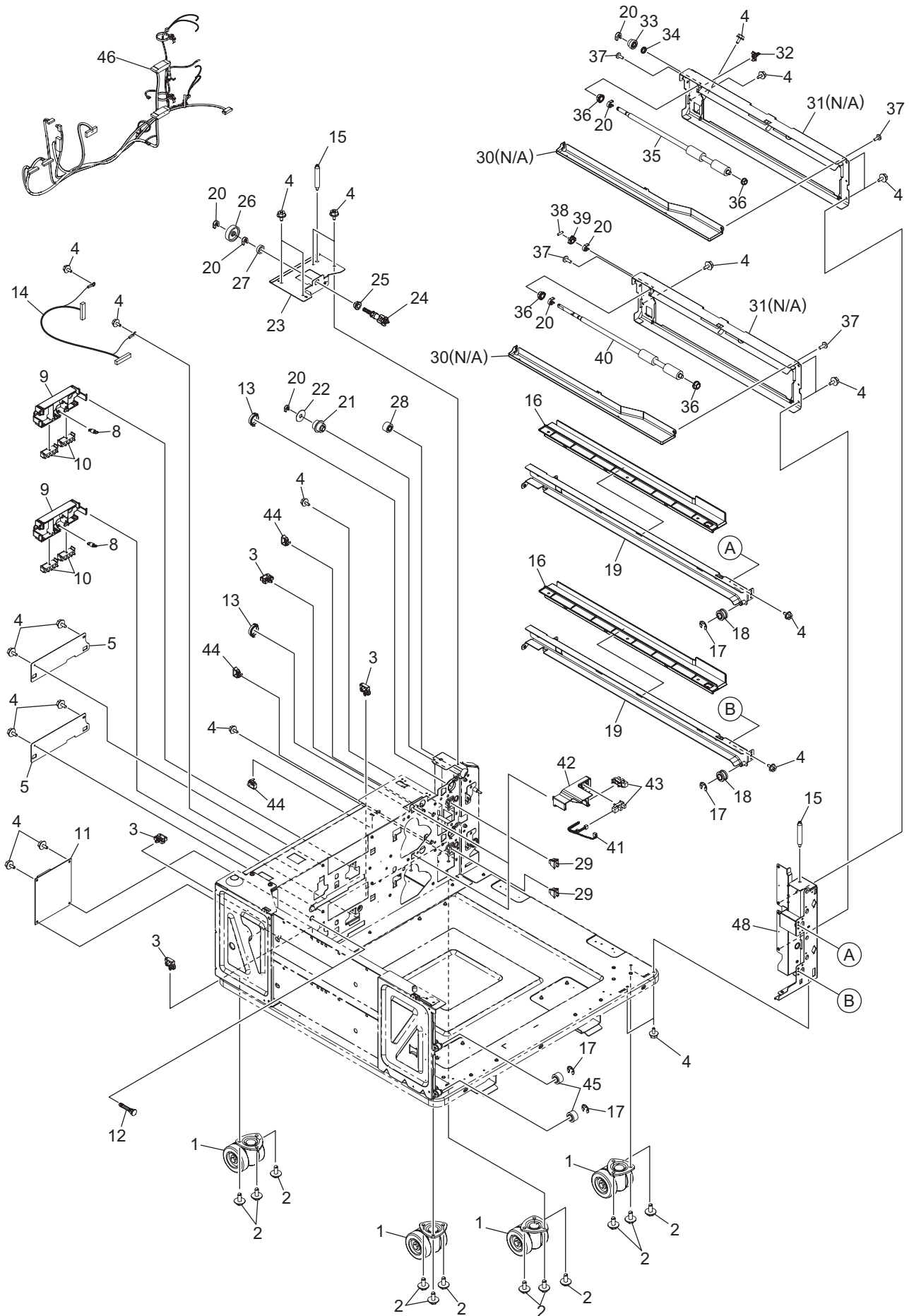
Under the copyright laws, this manual cannot be reproduced in any form without prior written permission of TOSHIBA TEC CORPORATION. No patent liability is assumed, however, with respect to the use of the information contained herein.

CONTENTS

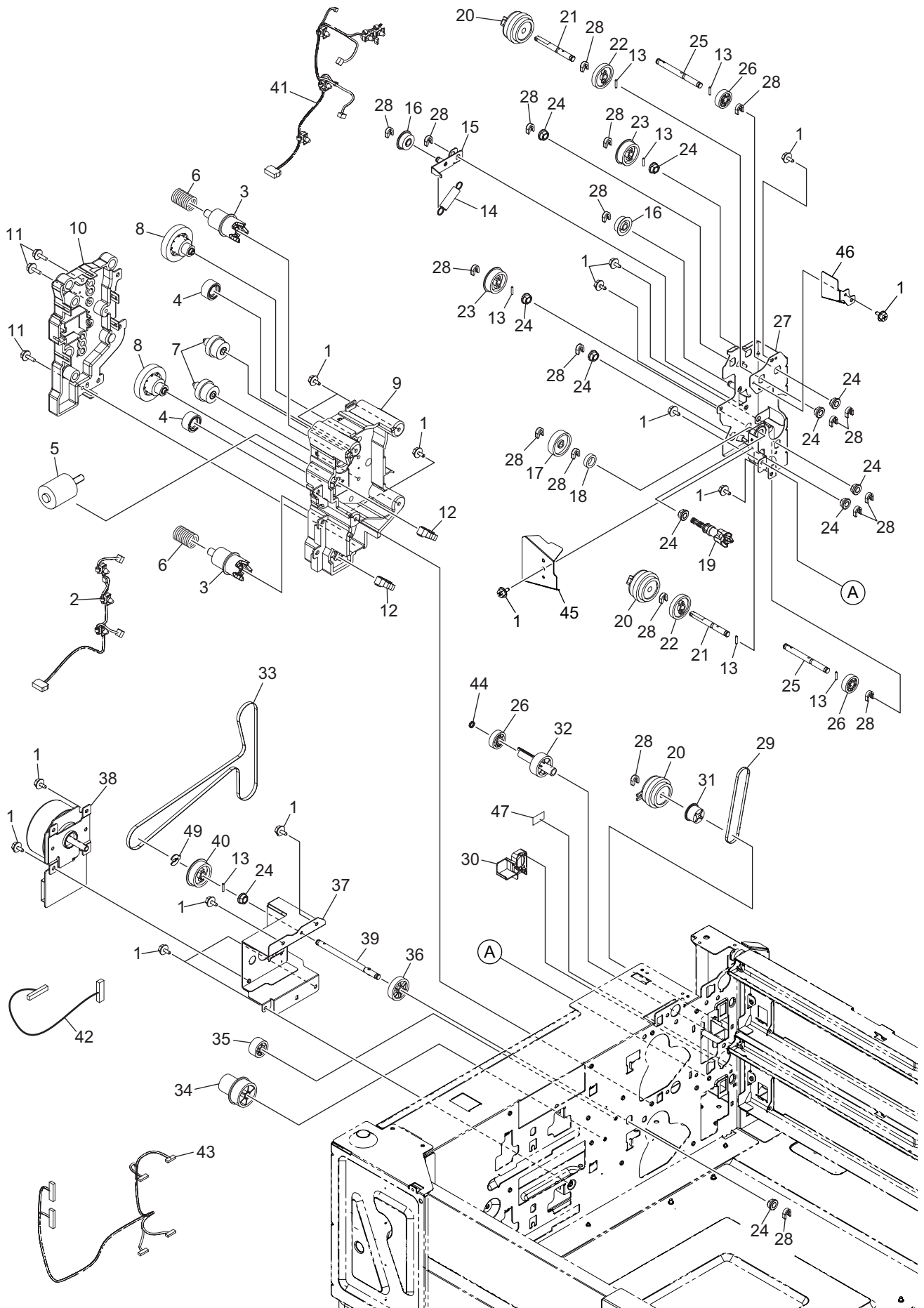
ASM-COVER	1
ASM-FRAME.....	2
ASM-DRIVE	3
ASM-COVER-GUIDE	4
FEED-ASY	5
DRAWER-ASM	6
ROL-KIT	10



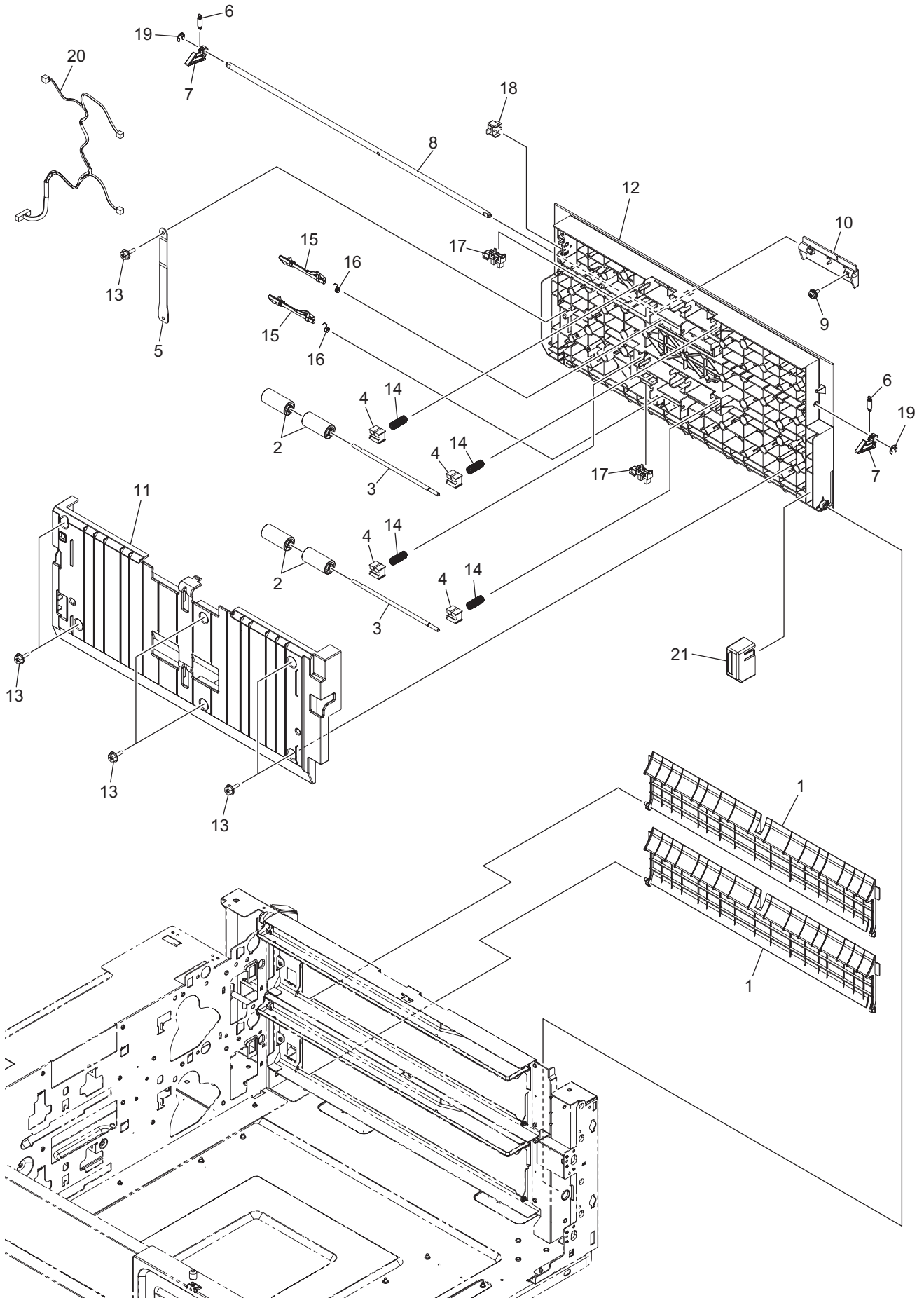
ITEM No.	PART No.	PART NAME	Q'TY / PAGE	Q'TY / PACK	REMARKS
1	6LH58094200	COVER-R-LOW-LOIREB	1	1/PP	
2	X0-02419000	S/TPS/FHEXM/R-3X6-ZU3	27	10/P	
3	6LH58091400	COVER-R-R_B	1	1/PP	
4	6LH58099400	FOOT-SIDE-PFP-RGT_B	1	1/PP	
5	X0-02673000	S/PAN/SWWP-M3X14-ZB3	1	5/P	
6	6LJ56274100	LEVER-FEED-UNIT-21X_HS	2	1/P	
7	6LJ66757200	COVER-R-F-PFP_B	1	1/PP	
8	6LJ66826200	COVER-LEFT-PFP_B	1	1/PP	
9	6LH58111000	COVER-RIGHT-REAR-PFP	1	1/P	
10	6LK51219000	COVER-F-L-PFP-H370	1	1/PP	
11	6LJ66758200	COVER-SCART-PFP_B	1	1/PP	
13	6LH58104000	BRKT-FOOT-M8-PFP-F47X	4	1/P	
14	6LH58041000	SPG-F-FOOT-PFP-F47X	4	1/P	
15	6LH58105000	ADJSTR-FOOT-M8-PFP-S	4	1/P	
16	6LH58086400	COVER-FOOT-B	2	1/PP	
17	6LJ66756100	COVER-FRT-PILLAR-R-PFP_S	1	1/PP	
18	6LH57937000	BRKT-JOINT-P-R	2	1/P	
19	6LH57948000	BRKT-JOINT-P-F-PFP	2	1/P	

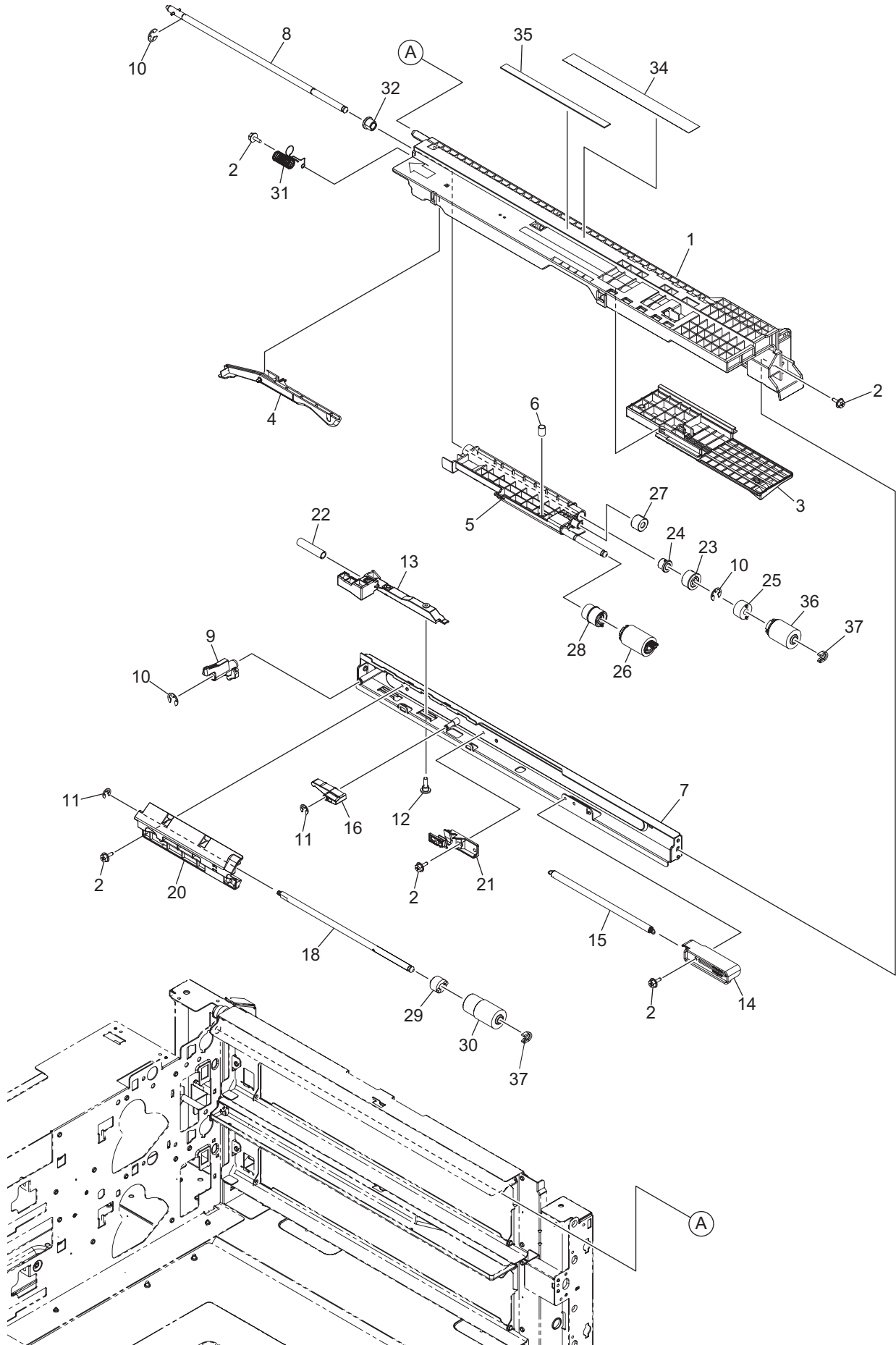


ITEM No.	PART No.	PART NAME	Q'TY / PAGE	Q'TY / PACK	REMARKS
1	6LH00856000	BWP-50N-CUSTOM	4	1/D	
2	X0-02421000	S/TPS/FHEXM/R-4X8-ZU3	12	10/P	
3	F0-01609000	RLWC-2SV0	7	5/P	
4	X0-02419000	S/TPS/FHEXM/R-3X6-ZU3	24	10/P	
5	6LJ66759000	PLATE-BLIND-PFP	2	1/P	
8	6LJ56887000	SPG-E-8R8XR9X19R9	2	1/P	
9	6LJ56818000	HOLDER-SNSR-CST-H21X	2	1/P	
10	E0-14485000	PS-42C02-F NS	4	1/C	
11	6LK45897000	PWA-H-PFP-552	1	1/SB	
12	F0-00221000	KGLS-24RTV0	2	5/P	
13	6LJ66712000	BUSH-CPL-FEED-PFU	2	1/P	
14	6LJ62008000	HRNS-PFP-552-2	1	1/P	
15	6LJ66780000	PIN-LOCAT-PFP	2	1/P	
16	6LK50704000	RAIL-FEED-UNIT-L-H373	2	1/PP	
17	X0-00966000	RR/E-5-SS	4	10/P	
18	6LJ69392000	ROLL-RAIL-CST-H21X-1	2	1/P	
19	6LK50737000	ASYS-RAIL-CST-RIGHT-H373	2	1/PP	
20	4407972860	STOP-RING-6-5	7	5/P	
21	6LH57975000	GEAR-10S16_P2GT27-6-L	1	1/P	
22	41319076000	HWAS-PFP-SUS	1	10/P	
23	6LJ66742000	PLATE-TOP-REAR-PFP	1	1/P	
24	6LJ66722000	CPL-DRV-L-PFP	1	1/P	
25	44201492000	BUSH-6-POM	1	5/P	
26	6LA62276000	GEAR-10S28-6-D	1	1/P	
27	6LJ66717000	CLR-CPL-PFP	1	1/P	
28	6LH57965000	GEAR-10S16-6-M	1	1/P	
29	E0-01853000	CS1A-B2CA	2	1/D	
30	6LJ66781000	RAIL-FEED-UNIT-U-PFP	2	N/A***	
31	6LJ66703000	GUIDE-TRNS-LEFT-U-PFP	2	N/A***	
32	6LH58116000	PUSH-IDL-PFP-N	1	1/P	
33	6LJ66715000	GEAR-10S16-06-PFP	1	1/P	
34	6LA32851000	COLAR-0602	1	5/P	
35	6LH58004000	ROL-TR-2	1	1/KP	
36	6LH53768000	BUSH-6-NU4	4	1/P	
37	X0-02069000	S/TPS/BID-3X6-ZU3	4	10/P	
38	X0-00979000	P/PRL/AH7-2X8-SS	1	10/P	
39	6LH58084000	CPG-ROL-PFP	1	1/P	
40	6LH58003000	ROL-TR-3	1	1/KP	
41	6LJ60558000	HRNS-PFP-EMP-552	2	1/P	
42	6LJ56265000	HOLDER-SNSR-FS-H21X_H	2	1/P	
43	C0-17839000	LG2A14BL1	4	1/C	
44	F0-01459000	RLWT-2V0	3	5/P	
45	6LJ69393000	ROLL-RAIL-CST-H21X-2	2	1/P	
46	6LJ60581000	HRNS-PFP-INSIDE-552	1	1/P	
48	6LJ66725000	ASYS-FRM-FRONT-RIGHT-PFP	1	1/D	

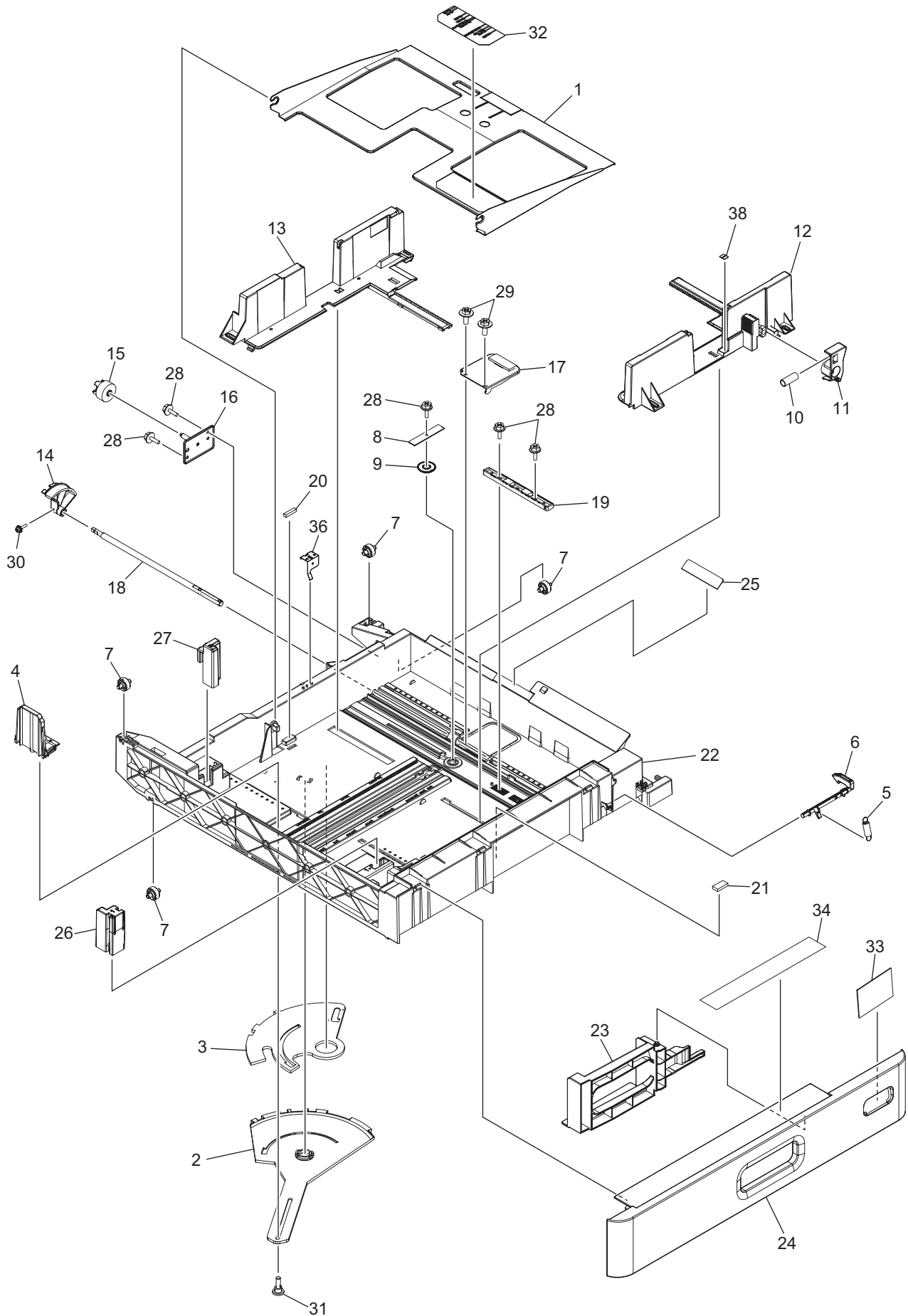


ITEM No.	PART No.	PART NAME	Q'TY / PAGE	Q'TY / PACK	REMARKS
1	X0-02419000	S/TPS/FHEXM/R-3X6-ZU3	17	10/P	
2	6LJ60582000	HRNS-PFP-NEMP-552	1	1/P	
3	6LJ56846000	GEAR-8S26-H21X	2	1/P	
4	6LH05707000	GEAR-8S25-10	2	1/P	
5	6LA56976000	MOTR.D-TRAY-CST	1	1/D	
6	4401966050	SPC172-100-3400	2	1/P	
7	44201854000	G05H-45/G05S-15	2	1/P	
8	44201853000	G06S-13-G05S-80	2	1/C	
9	6LJ66752100	CASE-TRAYUP-GEAR-F-PFP_S	1	1/P	
10	6LJ66753100	CASE-TRAYUP-GEAR-R-PFP_S	1	1/PP	
11	X0-02247000	S/TTP/FHEXM-3X8-NI	3	10/P	
12	C0-17839000	LG2A14BL1	2	1/C	
13	X0-00980000	P/PRL/AH7-2X10-SS	7	10/P	
14	6LJ66754000	SPG-E-TENS-PFP	1	1/P	
15	6LJ66706000	ASYS-BRKT-DRV-TENS-PFP	1	1/P	
16	6LJ66724000	PULLY-DRV-TENS-PFP	2	1/P	
17	6LA62276000	GEAR-10S28-6-D	1	1/P	
18	6LJ66717000	CLR-CPL-PFP	1	1/P	
19	6LJ66722000	CPL-DRV-L-PFP	1	1/P	
20	6LH51224000	CLUTCH-50C-G28-6	3	1/D	
21	6LJ66713000	SHAFT-DRV-1-PFP	2	1/P	
22	6LE59993000	GEAR-10S028	2	1/P	
23	6LH57972000	PULLY-S3M28-6-E	2	1/P	
24	44201492000	BUSH-6-POM	11	5/P	
25	6LJ66720000	SHAFT-DRV-2-PFP	2	1/P	
26	6LH57979000	GEAR-10S20-6-E	3	1/P	
27	6LJ66709000	ASYS-BRKT-DRV-PFP	1	1/D	
28	4407972860	STOP-RING-6-5	19	5/P	
29	6LJ66718000	BLT/T-202-2GT-3	1	1/P	
30	6LJ69412000	GUIDE-HRNS-SNSR-PFU	1	1/P	
31	6LH58085000	PULLY-2GT027-6	1	1/P	
32	6LJ66719000	GEAR-10S25-6	1	1/P	
33	6LJ66760000	BLT/T-633-S3M-4	1	1/P	
34	6LH58025000	GEAR-10S29_5H48-6-B	1	1/P	
35	6LH57954000	GEAR-10S20-6-C	1	1/P	
36	6LH57962000	GEAR-10S26-6-D	1	1/P	
37	6LJ66723000	BRKT-DRV-MOTOR-PFP	1	1/P	
38	6LH36234000	MOTR_D-FUSER-450	1	1/SB	
39	6LK54757000	ASYS-SHAFT-GEAR-MOT-PFP	1	1/P	
40	6LH57978000	PULLY-S3M30-6-D	1	1/P	
41	6LJ60583000	HRNS-PFP-CSTSW-552	1	1/P	
42	6LJ60559000	HRNS-PFP-MOT-552	1	1/P	
43	6LJ60560000	HRNS-PFP-PSIZE-552	1	1/P	
44	6LA32851000	COLAR-0602	1	5/P	
45	6LJ66806000	PLATE-GUARD-GEAR-PFP-LWR	1	1/P	
46	6LJ66805000	PLATE-GUARD-GEAR-PFP-UPR	1	1/P	
47	6LJ66820000	MYLAR-GUIDE-HRNS-SNSR	1	1/P	
49	6LH06812000	STOP-RING-3	1	5/P	

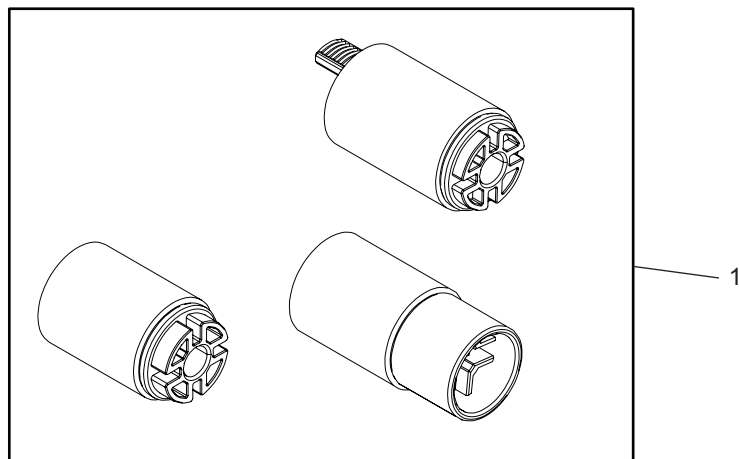




ITEM No.	PART No.	PART NAME	Q'TY / PAGE	Q'TY / PACK	REMARKS
1	6LK50705000	FRAME-FEED-H373	1	1/PP	
2	X0-02420000	S/TPS/FHEXM/R-3X8-ZU3	5	10/P	
3	6LJ56263100	GUIDE-FEED-UP-F-21X_HS	1	1/PP	
4	6LJ56248100	ACTR-EMPTY-CST-2X_HS	1	1/P	
5	6LJ56275000	ARM-PICK-H21X_H	1	1/PP	
6	6LJ56359000	SPG-C-PU-H21Y	1	1/P	
7	6LK50706000	ASYS-STAY-FEED-H373	1	1/P	
8	6LJ56276000	ASYS-SFT-ROL-FEED-H21X_H	1	1/P	
9	6LJ56250000	LEVER-PU-LINK-H21X_H	1	1/P	
10	X0-00966000	RR/E-5-SS	3	10/P	
11	X0-00964000	RR/E-3-SS	2	10/P	
12	6LH05511000	SCREW-M3X8-3.2-P	1	5/P	
13	6LK50754000	SLIDER-SPT-H21X_H	1	1/P	
14	6LJ56247100	HOLDER-SPE-SPT-21X_HS	1	1/P	
15	6LK51232000	SPG-E-SPT-H373	1	1/P	
16	6LJ56249000	ARM-SFT-SPT-H21X_H	1	1/P	
18	6LJ56279000	ASYS-SHAFT-ROL-SPT-H21X_H	1	1/P	
20	6LJ56264100	GUIDE-FEED-R-21X_HS	1	1/P	
21	6LJ56258000	GUIDE-SFT-SPT-H21X_H	1	1/P	
22	6LK50747000	SPG-C-SLIDER-H370	1	1/P	
23	6LJ56239000	ASYS-GEAR-5S30-6L	1	1/P	
24	6LJ56246000	BUSH-6X10X9F-POM	1	1/P	
25	4406584800	CLUTCH-6-08L2	1	1/P	
26	6LJ56242000	ASYS-ROLL-FEED-H21X_H	1	1/P	
27	6LJ56244000	GEAR-5S25-8	1	1/P	
28	6LJ56245000	GEAR-5S30-6	1	1/P	
29	6LJ56289000	TL-SEP-ORG-400	1	1/P	
30	6LK50742000	ASYS-ROLL-SPT-H373	1	1/P	
31	6LJ56267000	SPG-EARTH-FEED-UNIT	1	1/P	
32	6LA03977000	BUSH-F6-GCB	1	5/P	
34	6LJ56295000	MYLAR-SPACE-FEED	1	1/P	
35	6LJ56296000	RUBBER-SPACE-FEED	1	1/P	
36	6LK50739000	ASYS-ROLL-FEED-H373	1	1/P	
37	4407972860	STOP-RING-6-5	2	5/P	



ITEM No.	PART No.	PART NAME	Q'TY / PAGE	Q'TY / PACK	REMARKS
1	6LK51242000	ASYS-TRAY-CST-H-H21X	1	1/P	
2	6LK51260000	PUSHER-END-CST-F43X	1	1/PP	
3	6LH05721000	PUSHER-SIDE-CST-F43X	1	1/P	
4	6LJ56827100	WALL-END-CST-H-H21X_S	1	1/P	
5	6LJ56839000	SPG-E-8R9XR9X29R5	1	1/P	
6	6LJ56925000	LVR-CST2-H-H21X_E_SHAFT	1	1/P	
7	6LJ56845000	ROLL-CST-H21X	4	1/P	
8	6LK51241000	PLT-WALL-GEAR-H370	1	1/P	
9	6LE53717000	GEAR-10S18-8-TRAY	1	1/P	
10	6LA56695000	SPC-LVR-WALL-F	1	1/P	
11	6LJ56802100	LEVER-LOCK-WALL-H21X_S	1	1/P	
12	6LJ56957000	SLIDE-WALL-F-H21X-H	1	1/KP	
13	6LJ56872000	ASYS-SLIDE-WALL-R-H21X-H	1	1/PP	
14	6LJ56832100	GEAR-DRV-TRAYUP-SFT-H37X	1	1/P	
15	6LJ56847100	CPG-TRAY-UP-H37X	1	1/P	
16	6LJ56851000	ASYS-PLATE-DRV-CST-H21X	1	1/P	
17	6LH05746000	ASYS-LEVER-ELV-CST-F43X	1	1/P	
18	6LJ56910000	SHAFT-ELV-CST-H21X	1	1/P	
19	6LJ56815000	WALL-STOP-H21X	1	1/P	
20	6LH51643000	CHSH-CST-F47X	1	1/P	
21	6LH05741000	CUSH-CST-S	1	1/P	
22	6LJ56938000	CST-H21X-SR	1	1/PP	
23	6LJ56838200	HNDL-CST-H370	1	1/PP	
24	6LK51218000	COVER-CST-H373	1	1/PP	
25	6LJ66823000	SHEET-CST-H21X	1	1/P	
26	6LJ56833000	WALL-LONGPAPER-F-H-H21X	1	1/P	
27	6LJ56834000	WALL-LONGPAPER-R-H-H21X	1	1/P	
28	X0-02247000	S/TPP/FHEXM-3X8-NI	5	10/P	
29	X0-02235000	S/FHEXM-M4X8-NI	2	10/P	
30	X0-00094000	S/PAN/SWWP-M3X10-NI	1	10/P	
31	6LH05511000	SCREW-M3X8-3.2-P	1	5/P	
32	6LK51247000	LBL_P-SIZE-SRA3-H373	1	1/KP	
33 A	6LK51245000	SIZE-CST-37X-A4	1	1/KP	A4 size
33 B	6LK51245100	SIZE-CST-37X-LT	1	1/KP	LT size
34	6LK51249000	LBL_O-GUIDE-CST-H373	1	1/KP	
36	6LJ56943000	SPG-F-TRAY-CST-H21Y	1	1/C	
38	6LJ56953000	LBL_P-SIZE-REF-H21X	1	1/P	



ITEM No.	PART No.	PART NAME	Q'TY / PAGE	Q'TY / PACK	REMARKS
1	6LK50755000	ROL-KIT-FC30-U	1	1/S	

TOSHIBA

TOSHIBA TEC CORPORATION

1-11-1, OSAKI, SHINAGAWA-KU, TOKYO, 141-8562, JAPAN