

**TOSHIBA**

# **SERVICE PARTS LIST**

**Paper Feed Pedestal**

**KD-1039**

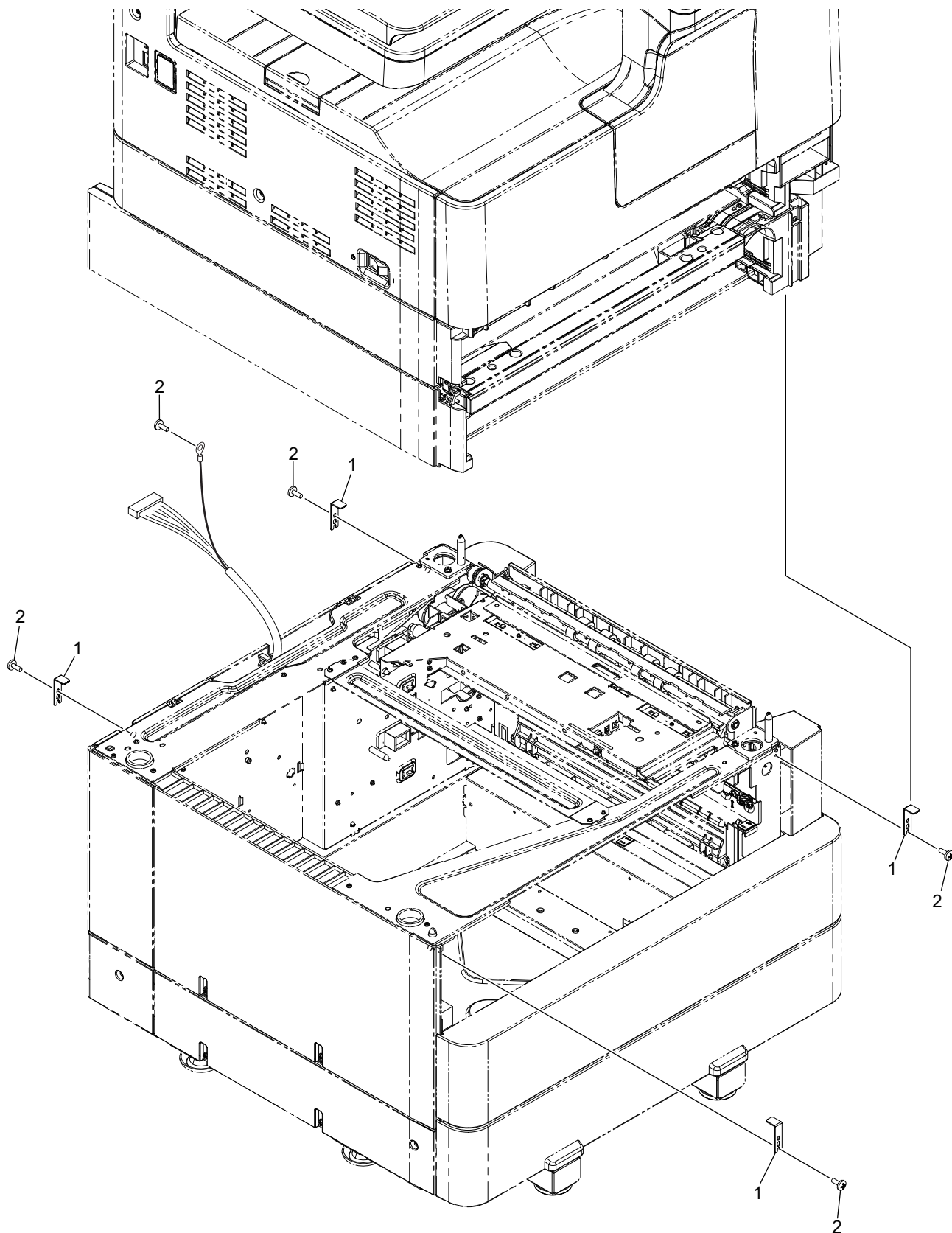
© 2013 TOSHIBA TEC CORPORATION All rights reserved

Under the copyright laws, this manual cannot be reproduced in any form without prior written permission of TOSHIBA TEC CORPORATION. No patent liability is assumed, however, with respect to the use of the information contained herein.

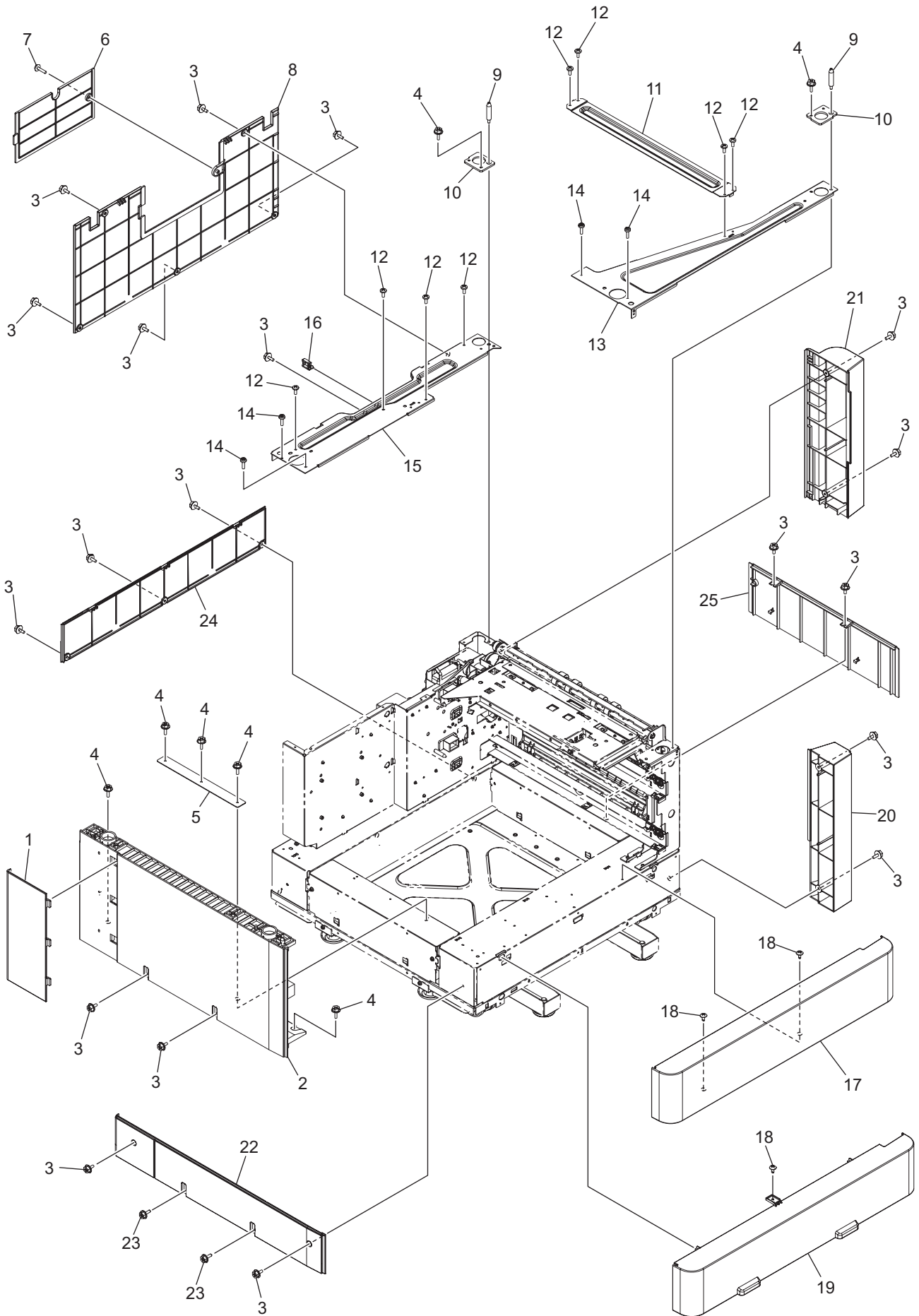
# CONTENTS

BRKT-ASY.....	1
COVER-ASY .....	2
DRIVE-ASY .....	3
FRAME-ASY .....	4
FEEDER-ASY .....	5
GUIDE-ASY.....	6
DRAWER-ASY .....	7



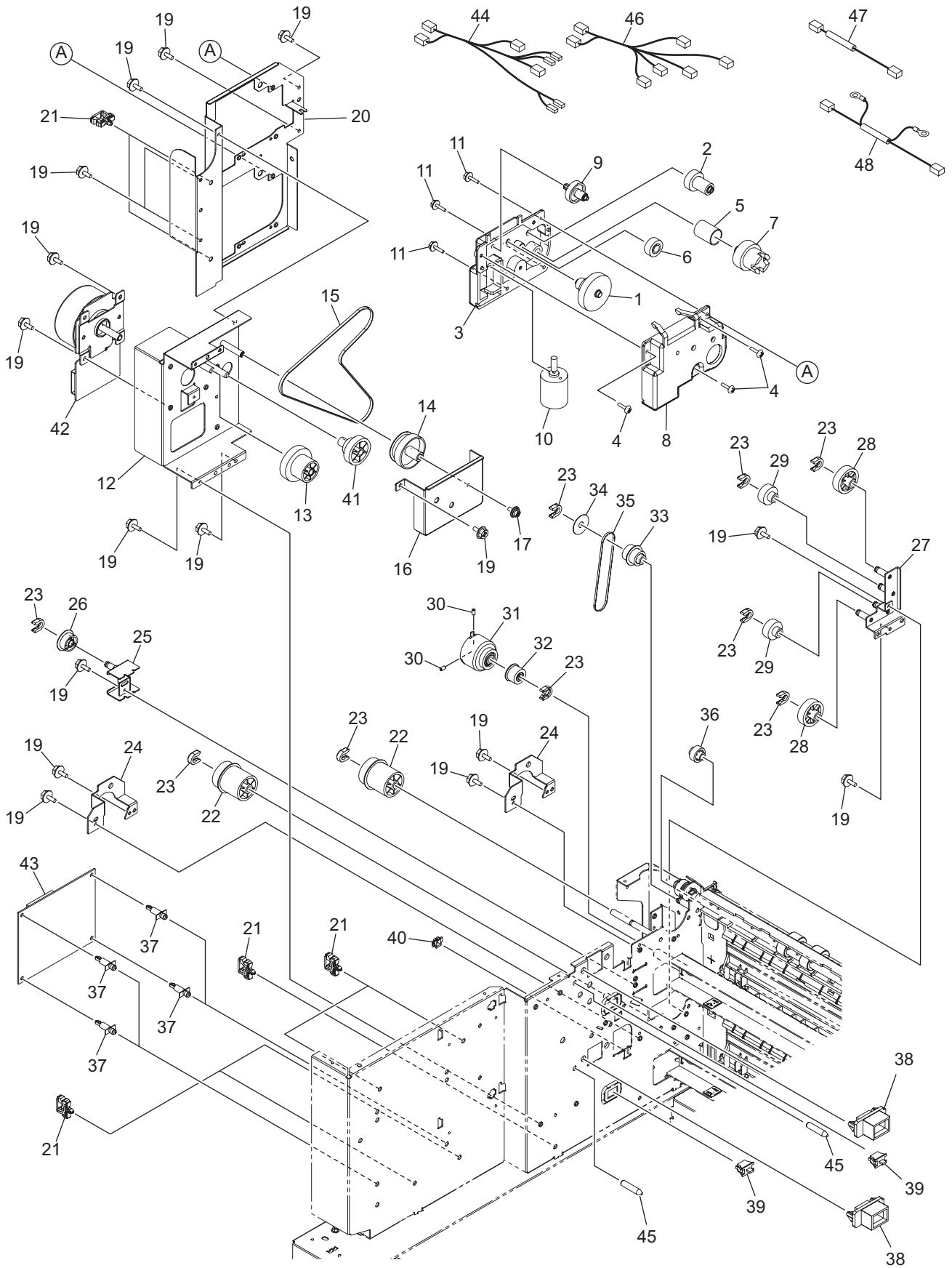


ITEM No.	PART No.	PART NAME	Q'TY / PAGE	Q'TY / PACK	REMARKS
1 2	6LE59605000 X0-02069000	BRKT-JOINT-LEX-PFP S/TPS/BID-3X6-ZU3	4 5	1/P 10/P	

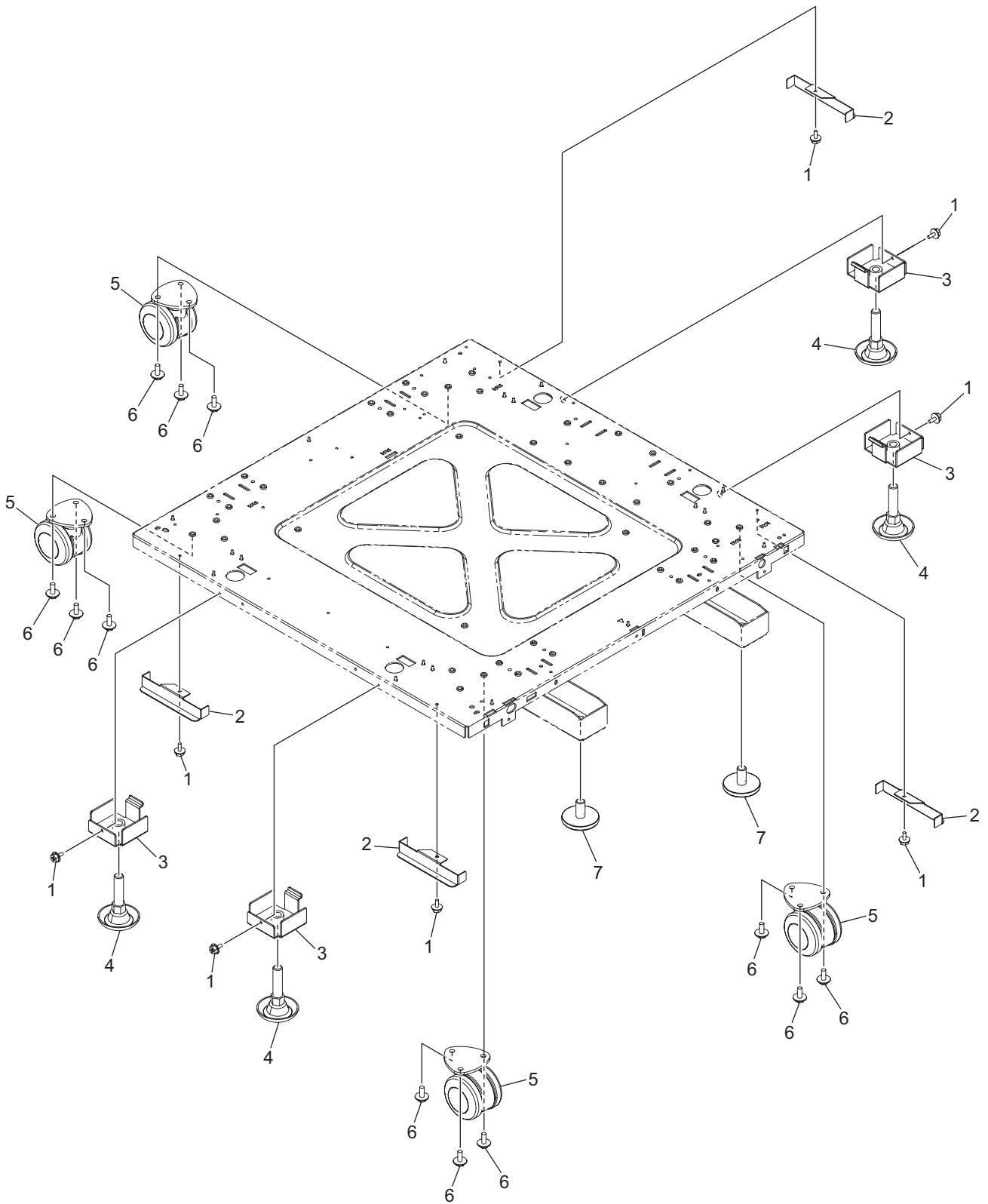


ITEM No.	PART No.	PART NAME	Q'TY / PAGE	Q'TY / PACK	REMARKS
1	6LA47886300	COVER-L-DSGN-H241	1	1/PP	
2	6LA47885300	COV-LEFT-PFP-H241	1	1/PP	
3	X0-02592000	S/TPD3/FHEXM-3X6-ZU3	19	10/P	
4	X0-02593000	S/TPD3/FHEXM-3X8-ZU3	7	10/P	
5	6LA47867000	PLT-FOOT-LOCK	1	1/P	
6	6LA47825300	COVER-REAR-CON-H241	1	1/PP	
7	X0-01581000	S/TPP/BRZ-3X10-NC	1	10/P	
8	6LA47883300	COVER-REAR-H241	1	1/PP	
9	6LA48055000	PIN-LOCAT-PFP	2	5/P	
10	41319163000	PLT-SPACER	2	1/P	
11	6LA47869000	STAY-TOP-SUP	1	1/P	
12	X0-00676000	S/TPS/BID-3X6-NI	8	10/P	
13	6LA47866000	STAY-TOP-F-PFP	1	1/P	
14	X0-00602000	S/TPP/PAN-3X8-NI	4	10/P	
15	6LA47865000	STAY-TOP-R-PFP	1	1/P	
16	F0-00338000	WS-2U	1	5/P	
17	6LJ78743000	COVER-CST-H241-DUMY	1	1/PP	
18	6LA08935000	SCR-M3X6BISR-NI	3	10/P	
19	6LJ78720000	COVER-FRONT-LOW-H241	1	1/PP	
20	6LJ78746000	COV-RI-FR-PFP-H241	1	1/PP	
21	6LJ78721000	COVER-R-R-H241	1	1/PP	
22	6LE60123100	COVER-LEFT-LOW-SW	1	1/PP	
23	X0-02420000	S/TPS/FHEXM/R-3X8-ZU3	2	10/P	
24	6LE60133100	COVER-REAR-LOW-SW	1	1/PP	
25	6LE60131100	COVER-R-LOW-SW	1	1/PP	

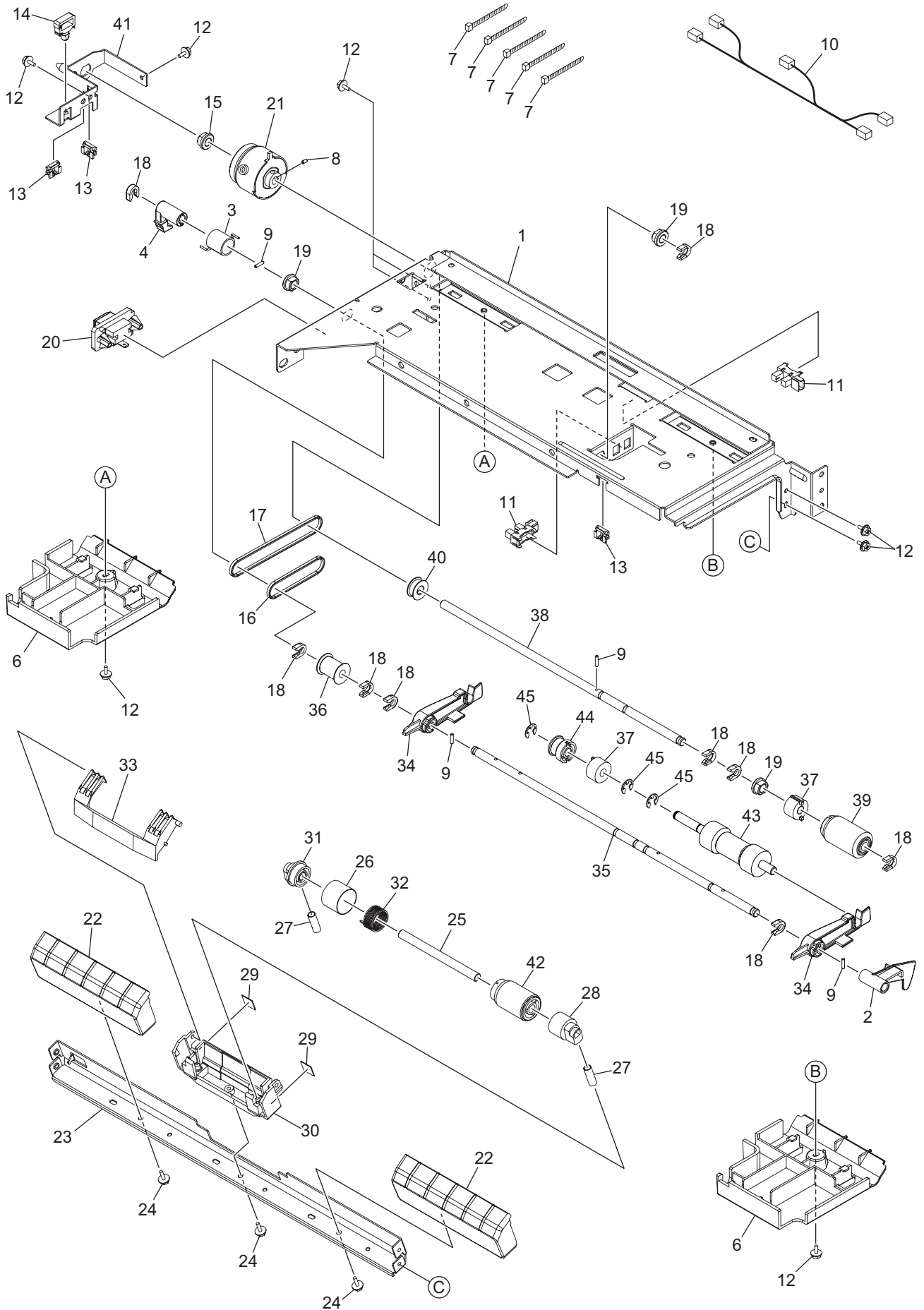




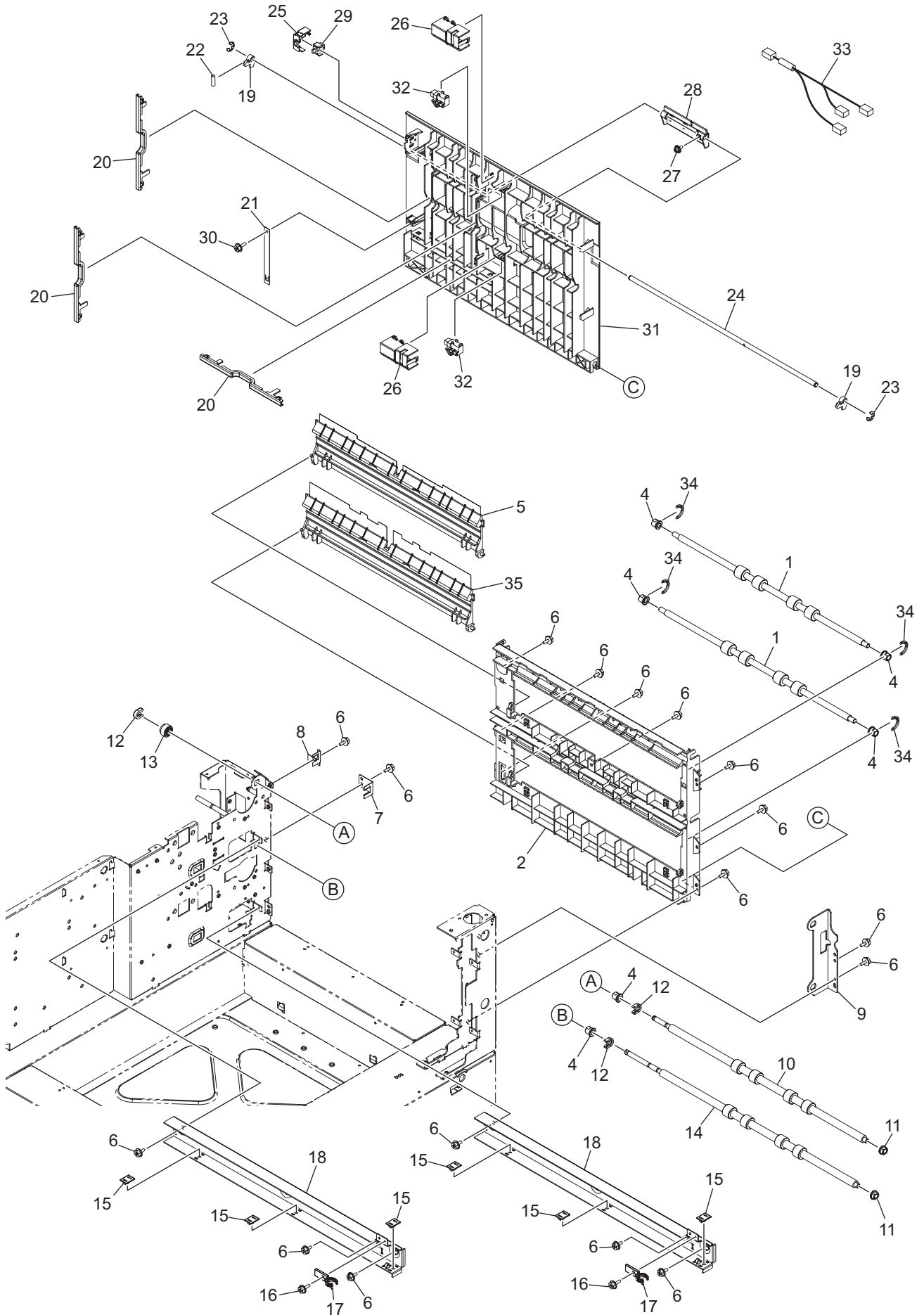
ITEM No.	PART No.	PART NAME	Q'TY / PAGE	Q'TY / PACK	REMARKS
1	41306023000	GER-TRAY-80-13	1	1/P	
2	41306024000	GER-TRAY-24-14	1	1/P	
3	41306026000	CASE-TRY-DEV-R	1	1/D	
4	X0-01581000	S/TPP/BRZ-3X10-NC	3	10/P	
5	41305502000	SPC-CPG-LIFT	1	1/P	
6	41306025000	GER-TRAY-21	1	1/P	
7	41306022000	CPG-LIFT-28	1	1/P	
8	41306027000	CASE-TRY-DEV-F	1	1/PP	
9	41306276000	G05H-45/G05S-15	1	1/P	
10	6LA56976000	MOTR.D-TRAY-CST	1	1/D	
11	X0-02594000	S/TPD3/FHEXM-3X10-ZU3	3	10/P	
12	6LE60154000	ASYS-BRKT-MOTOR	1	1/P	
13	6LH25343000	GEAR-10S24-05H070	1	1/P	
14	6LE60142000	GP-10S036-3GT031	1	1/P	
15	41319024000	BLT/T-480-3GT-6	1	1/P	
16	6LE60155000	BRKT-MTR-SUP	1	1/P	
17	X0-00060000	S/PAN/SWWP-M3X6-NI	1	10/P	
19	X0-02592000	S/TPD3/FHEXM-3X6-ZU3	17	10/P	
20	6LA47868000	BRKT-GEAR-BOX	1	1/P	
21	F0-01609000	RLWC-2SV0	7	5/P	
22	41319074000	GP10S028/3GT031	2	1/P	
23	4407972860	STOP-RING-6-5	9	5/P	
24	6LA47863000	BRKT-FED-LOC	2	1/P	
25	6LA47861000	ASYS-BRKT-TENS-1	1	1/P	
26	41319059000	PLY-TENSION	1	1/P	
27	6LA47852000	ASYS-BRKT-IDL-GEAR	1	1/P	
28	41319033000	GEAR-10S028-06	2	1/P	
29	41319034000	GEAR-10S020-06	2	1/P	
30	X0-00730000	S/SET/K-M3X4-B	2	10/P	
31	6LA47907000	CLUCH-33C-6-CCW-GEAR22	1	1/D	
32	41319156000	K-PLY-2GT027	1	1/P	
33	41319072000	GP10S016/2GT027	1	1/P	
34	41319076000	HWAS-PFP-SUS	1	10/P	
35	41319168000	BLT/T-202-2GT-6	1	1/P	
36	41319071000	GEAR-10S016-06	1	1/P	
37	F0-00343000	SPLSN-8U	4	5/P	
38	E0-08733000	55533-1219	2	5/P	
39	E0-01853000	CS1A-B2CA	2	1/D	
40	F0-00671000	EDS-0607M	1	5/P	
41	6LE60141000	GEAR-10S030-10S018	1	1/P	
42	6LH27410000	MOTR.D-MAIN-667-2	1	1/C	
43	6LJ81219000	PWA-H-PFP-584	1	1/SB	
44	6LA41758000	HRNS-PFP-FEDUNT-576	1	1/P	
45	41319169000	STUD-280	2	1/P	
46	6LH27715000	HRNS-PFP-TM-MM-667-2	1	1/P	
47	6LA71448000	HRNS-PFP-CV-576	1	1/P	
48	6LJ81919000	HRNS-MAIN-PFP-584	1	1/P	



ITEM No.	PART No.	PART NAME	Q'TY / PAGE	Q'TY / PACK	REMARKS
1	X0-02592000	S/TPD3/FHEXM-3X6-ZU3	8	10/P	
2	6LA47833000	BRKT-HANDRING	4	1/P	
3	6LA48009000	ASYS-BRKT-ADJ-PFP	4	1/P	
4	6LE82354000	FOOT-PFP-ADJ	4	1/P	
5	6LE27028000	CASTER-TKS-51	4	1/P	
6	X0-02589000	S/TPD3/FHEXM-4X8-ZU3	12	10/P	
7	6LA48052000	ADJ-FOOT-40	2	1/P	

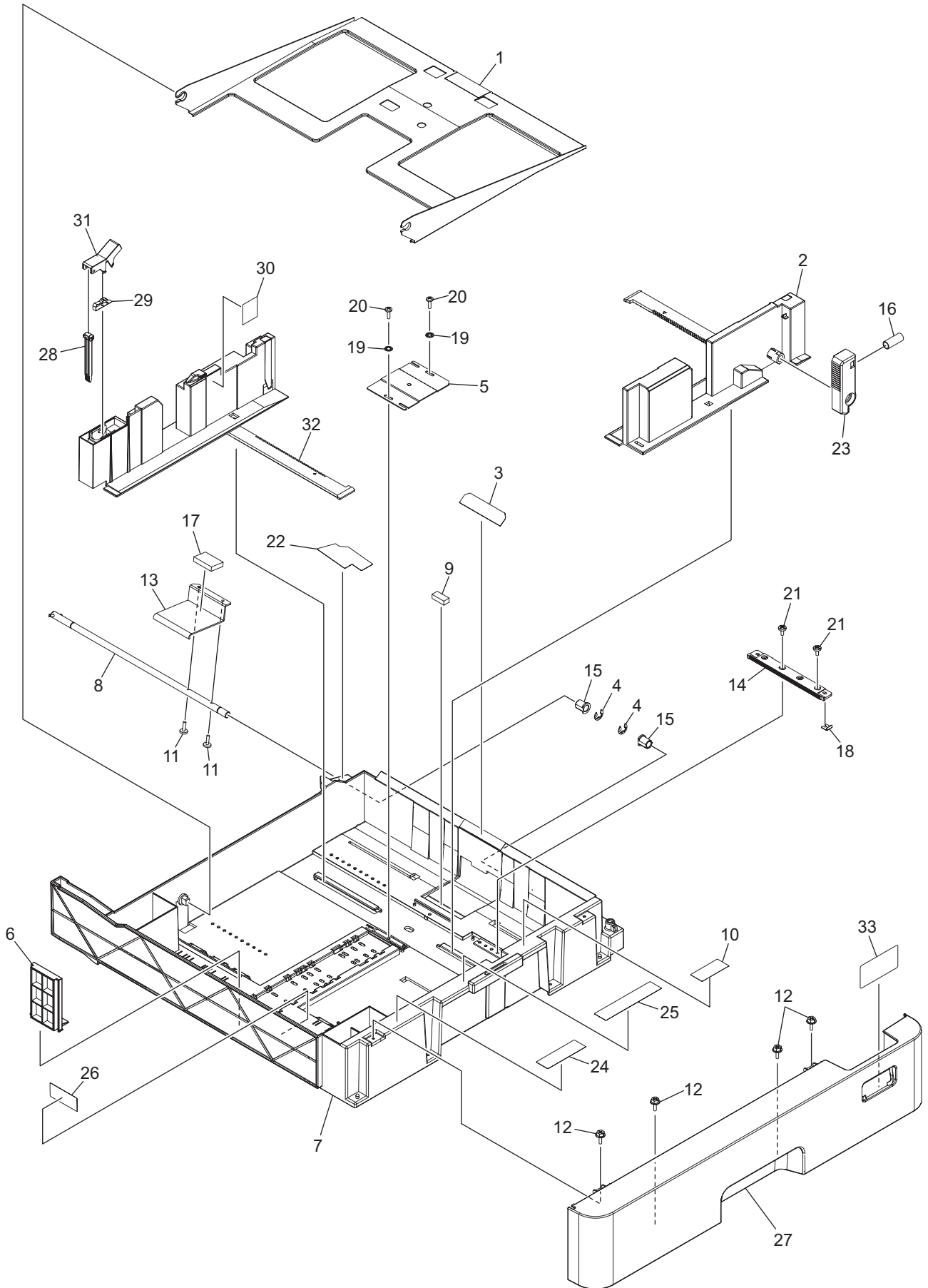


ITEM No.	PART No.	PART NAME	Q'TY / PAGE	Q'TY / PACK	REMARKS
1	6LA47892000	ASYS-BRKT-FEED-UNIT	1	1/PP	
2	41306012000	ACTR-EMPTY-PPR	1	1/P	
3	41305501000	SPR-LVR-PICK	1	1/P	
4	6LA47910000	LEVER-RLR-PICK	1	1/P	
6	6LA47908000	GUIDE-P-FEED	2	1/P	
7	F0-01012000	T18R	5	5/P	
8	X0-00730000	S/SET/K-M3X4-B	1	10/P	
9	X0-00979000	P/PRL/AH7-2X8-SS	4	10/P	
10	6LH27709000	HRNS-PFP-FED-UNIT-667	1	1/P	
11	C0-10813000	GP1A73ARJ00F	2	1/P	
12	X0-02592000	S/TPD3/FHEXM-3X6-ZU3	8	10/P	
13	F0-00671000	EDS-0607M	3	5/P	
14	F0-00235000	LWS-1S	1	5/P	
15	4407734980	BUSH-6-GCB	1	5/P	
16	41306502000	BLT/T-124-2GT-2	1	1/P	
17	41306504000	BLT/T-194-2GT-2	1	1/P	
18	4407972860	STOP-RING-6-5	9	5/P	
19	44201492000	BUSH-6-POM	3	5/P	
20	E0-08732000	54702-1219	1	5/P	
21	6LA31944000	CLUCH-33C-6-CW-GEAR	1	1/D	
22	41318623000	GUIDE-P-SEP	2	1/P	
23	6LA47898000	BRKT-ROL-SEP	1	1/P	
24	X0-02247000	S/TPP/FHEXM-3X8-NI	3	10/P	
25	41304506000	SFT-SEP-AT	1	1/P	
26	44201773000	COV-SPE/ARBOR	1	1/P	
27	6LA47909000	SPC055-045-01525	2	5/P	
28	41306279000	ARBOR-SPT-F	1	1/P	
29	41319491000	CHIP-HLDR-SEP	2	1/P	
30	44201805000	HLDR-SEP-ROL-DM	1	1/P	
31	41306278000	ARBOR-SPT-R	1	1/P	
32	44201817000	SPR-1.0-15.60RF	1	5/P	
33	44201810000	LEV-ROL-SEP-DM	1	1/P	
34	41306011000	ARM-RLR-PICK	2	1/P	
35	41318604000	SFT-DRV-PICK	1	1/P	
36	41306002000	PLY/T-PICK-20	1	1/P	
37	4406584800	CLUTCH-6-08L2	2	1/P	
38	41304508000	SFT-ROL-FEED	1	1/P	
39	41304048000	K-ROLL-FEED	1	1/P	
40	41306274000	PLY/T-20-ROL-2G	1	1/P	
41	6LA47895000	ASYS-BRKT-CLT	1	1/P	
42	6LH46302000	ASYS-ROLL-SPT	1	1/P	
43	6LE77312000	ROLLER-PICK-N	1	1/P	
44	41306275000	PLY/T-20-2GT	1	1/P	
45	X0-00966000	RR/E-5-SS	3	10/P	



ITEM No.	PART No.	PART NAME	Q'TY / PAGE	Q'TY / PACK	REMARKS
1	41319096000	ROL-TR-P	2	1/KP	
2	6LH37417000	GUIDE-PAPER-IN-MASH	1	1/KP	
4	4407976990	BUSH-D6-GCB	6	1/P	
5	6LA55250000	K-GUIDE-PAPER2-J	1	1/C	
6	X0-02592000	S/TPD3/FHEXM-3X6-ZU3	17	10/P	
7	41319069000	BRKT-GRD	1	1/P	
8	6LA47923000	BRKT-GRD-PFP-N	1	1/P	
9	6LA47870000	BRKT-ROLLER-PFP	1	1/P	
10	41319153000	ROL-TR-2	1	1/KP	
11	44201492000	BUSH-6-POM	2	5/P	
12	4407972860	STOP-RING-6-5	3	5/P	
13	41319157000	K-GEAR-10S16-06	1	1/P	
14	41319150000	ROL-TR-1	1	1/KP	
15	41306007000	SLIDER-CST	6	1/P	
16	X0-02593000	S/TPD3/FHEXM-3X8-ZU3	2	10/P	
17	6LA56341000	CATCH-CST-N2	2	1/P	
18	6LH37433000	RAIL-CASSETTE-MASH	2	1/P	
19	41319411000	HOOK-COVER	2	1/P	
20	41319086000	COVER-WIRING	3	1/P	
21	6LJ48888000	STOPPER-STRING	1	5/P	
22	6LJ78807000	SPG-HOOK-H24X	1	5/P	
23	X0-00965000	RR/E-4-SS	2	10/P	
24	41319082000	SHAFT-HOOK	1	1/P	
25	41319100000	COVER-D-SENSOR	1	1/P	
26	41319101000	COVER-P-SENSOR	2	1/P	
27	X0-00060000	S/PAN/SWWP-M3X6-NI	1	10/P	
28	6LA47880300	KNOB-COVER-H241	1	1/P	
29	4402859600	SP-CS3A-B2BA	1	1/D	
30	X0-02247000	S/TPP/FHEXM-3X8-NI	1	10/P	
31	6LH37436500	COVER-PAP-GUIDE-H241	1	1/PP	
32	6LH39911000	SNSR-PFP-FED-672	2	1/C	
33	6LA41757000	HRNS-PFP-FED-CV-576	1	1/P	
34	41319102000	SPRING-ROLLER	4	5/P	
35	6LE27032000	ASYS-GUIDE-PAPER-2	1	1/KP	





ITEM No.	PART No.	PART NAME	Q'TY / PAGE	Q'TY / PACK	REMARKS
1	6LA56688000	ASY-TRAY-CST-AT/DM	1	1/PP	
2	6LJ00503300	ASYS-WALL-SIDE-F-TECPW	1	1/KP	
3	41307599000	SHEET-CST	1	1/KP	
4	X0-00968000	RR/E-7-SS	2	10/P	
5	6LA56961000	ASYS-PL-PINION-TRY	1	1/P	
6	6LA29061100	WALL-CSSTT-END_G	1	1/P	
7	6LE84460100	CASE-CST-N_PW	1	1/PP	
8	41304004000	K-SFT-LIFT-TRAY	1	1/P	
9	41306614000	CUSH-LVR-LIFT	1	5/P	
11	X0-00434000	S/BID-M3X8-NI	2	10/P	
12	X0-02247000	S/TPP/FHEXM-3X8-NI	4	10/P	
13	6LA60307000	LEVER-LIFT-TRAY	1	1/P	
14	6LA56706400	PLATE-RACK-CSTPW	1	1/P	
15	41306028000	BUSH-SFT-LIFT	2	5/P	
16	6LA56695000	SPC-LVR-WALL-F	1	1/P	
17	41306517000	CUSH-TRAY-CST	1	1/P	
18	6LA56707000	SPACER-RACK-CST	1	1/P	
19	X0-02116000	W/TH/A-3-SS	2	10/P	
20	X0-01989000	S/TPP/BID-3X8-NI	2	10/P	
21	X0-01414000	S/TPP/BID-3X6-NC	2	10/P	
22	6LA60306000	MYLAR-CST-BK	1	1/KP	
23	6LH31915300	LVR-ADJUST-WALL-GG	1	1/P	
24	6LE40703000	LBL_O-PAPER-2	1	1/KP	
25	6LE40701000	LBL_O-GUIDE-2	1	1/KP	
26	6LE40700000	LBL_O-LD-2	1	1/KP	
27	6LJ78719000	COVER-CST-H241-PFP	1	1/PP	
28	6LH05748000	LOCK-WALL-R	1	1/P	
29	41305546000	SPL-LOCK-WALL-R	1	1/P	
30	41307701000	LBL/O-P-MAX	1	5/KP	
31	6LA29058100	LEVER-LOCK-WALL-RER_G	1	1/P	
32	6LE84464300	ASYS-WALL-SIDE-R-TECPW	1	1/PP	
33 A	6LH31900100	SIZE-CST-450-LT	1	1/KP	LT SIZE
33 B	6LH31900200	SIZE-CST-450-K	1	1/KP	A4 SIZE
33 C	6LH31900000	SIZE-CST-450-A4	1	1/KP	K SIZE



**TOSHIBA**

**TOSHIBA TEC CORPORATION**

1-11-1, OSAKI, SHINAGAWA-KU, TOKYO, 141-8562, JAPAN