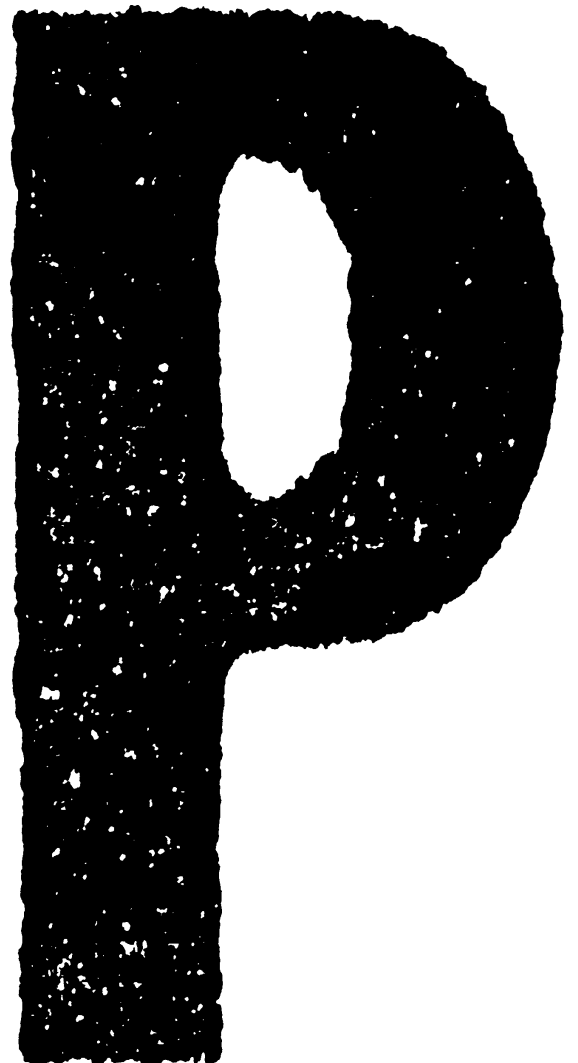


TOSHIBA

SERVICE PARTS LIST

Hole Punch Unit

MJ-6008

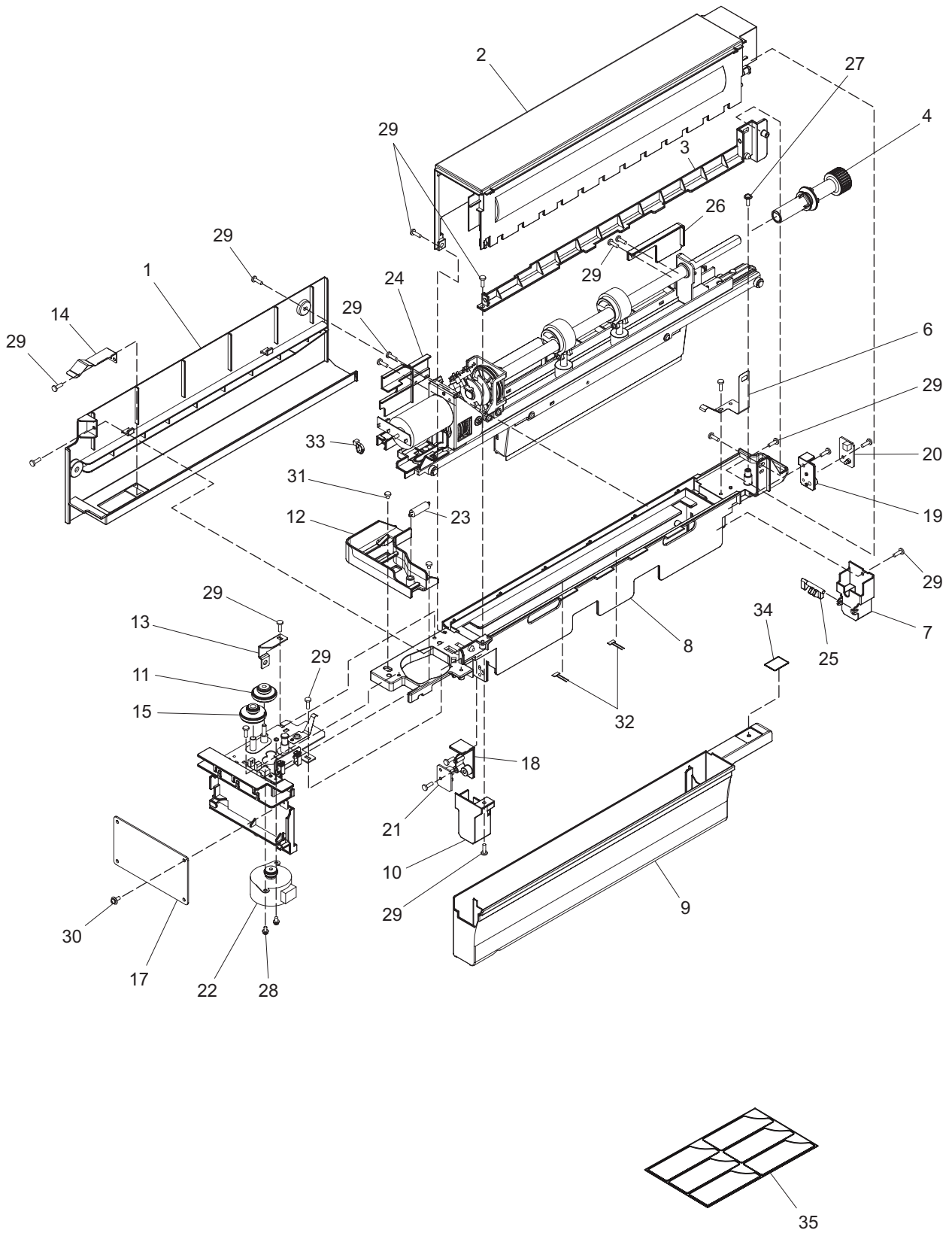


© 2012 TOSHIBA TEC CORPORATION All rights reserved

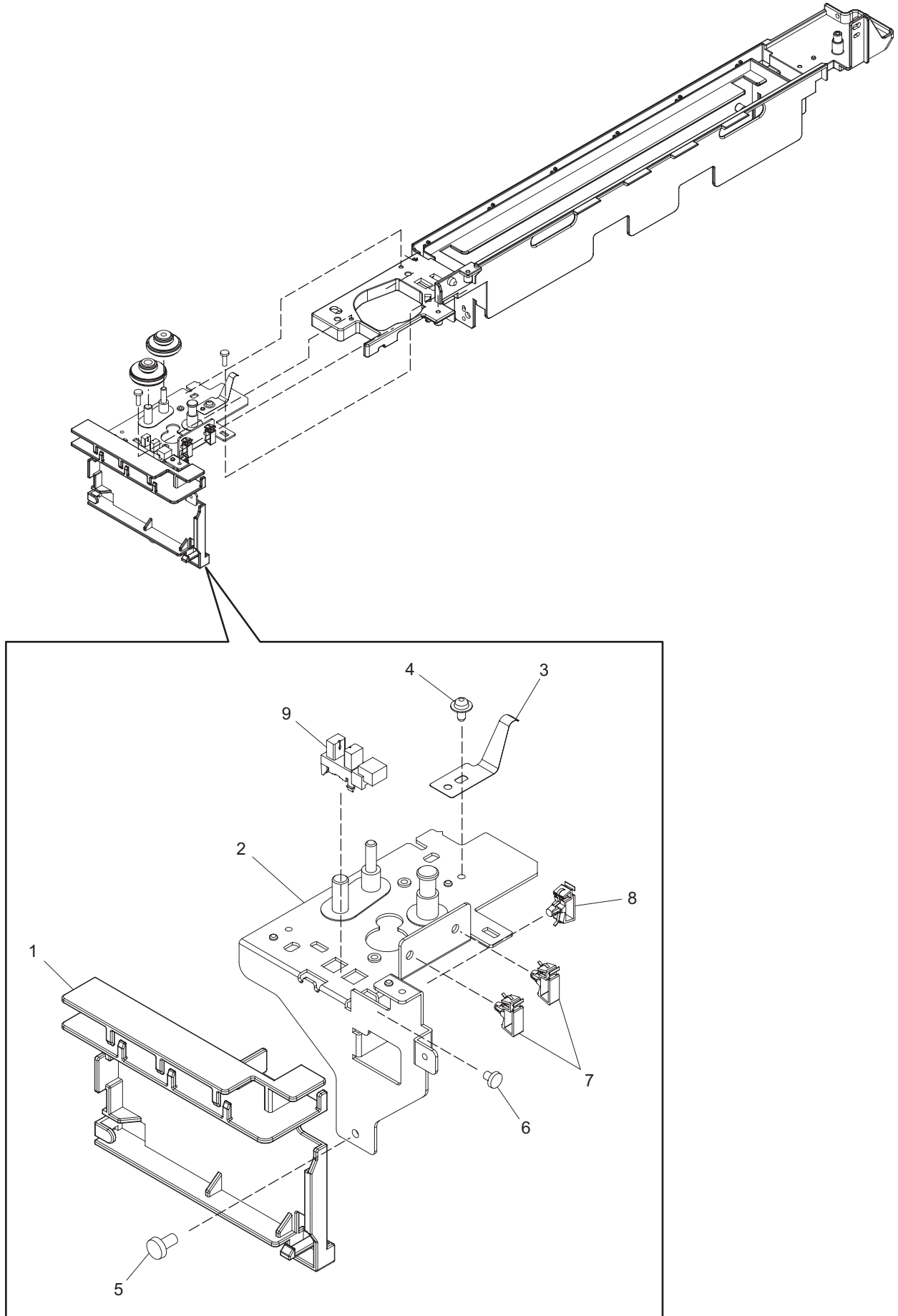
Under the copyright laws, this manual cannot be reproduced in any form without prior written permission of TOSHIBA TEC CORPORATION. No patent liability is assumed, however, with respect to the use of the information contained herein.

CONTENTS

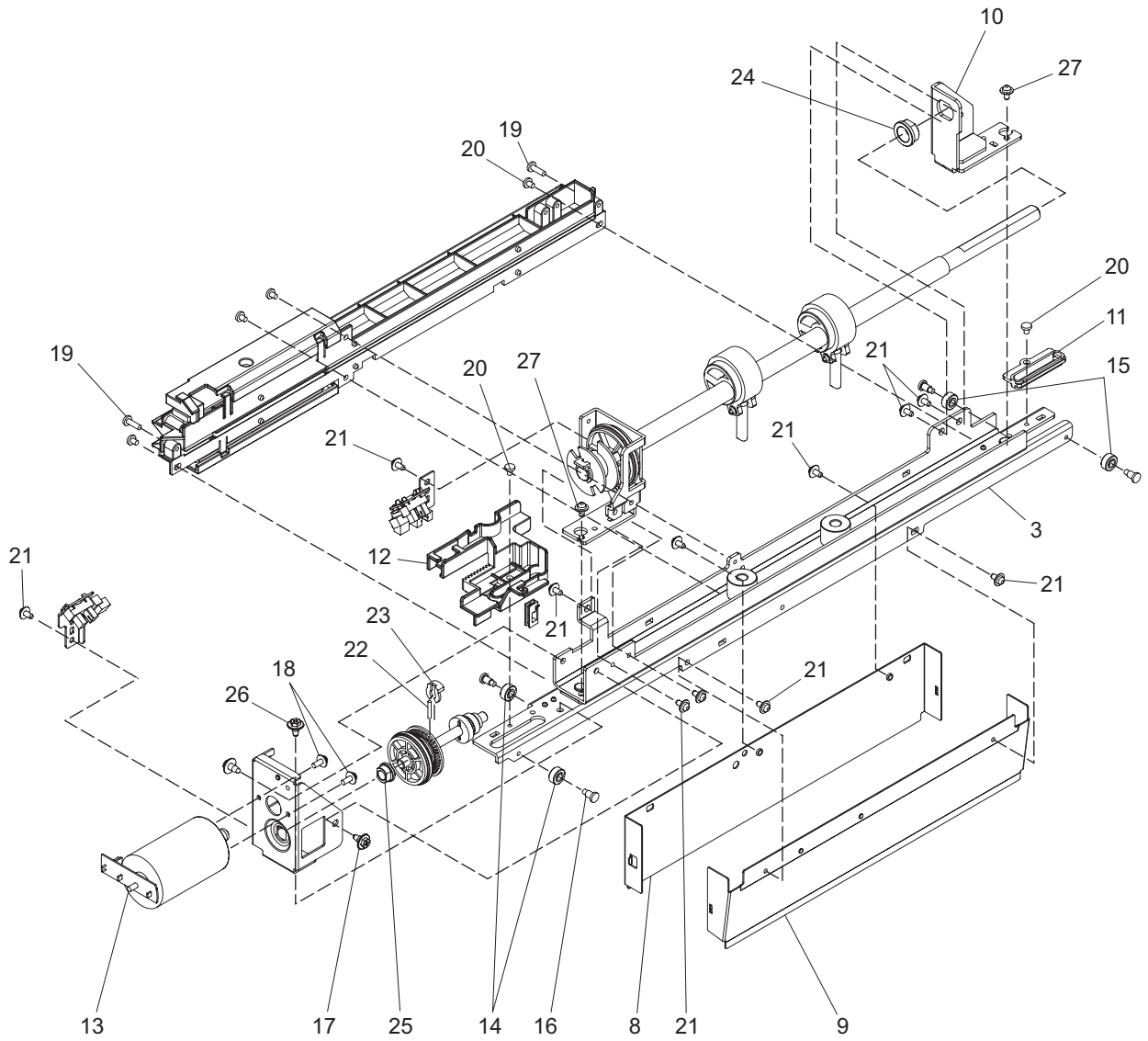
ASYB-PNC-UNIT	1
ASYB-SLIDE-MOT	2
ASYB-SLIDE-1	3
ASYB-SLIDE-2	4
ASYB-GUIDE-ENT	5
DOWNLOAD JIGS	51



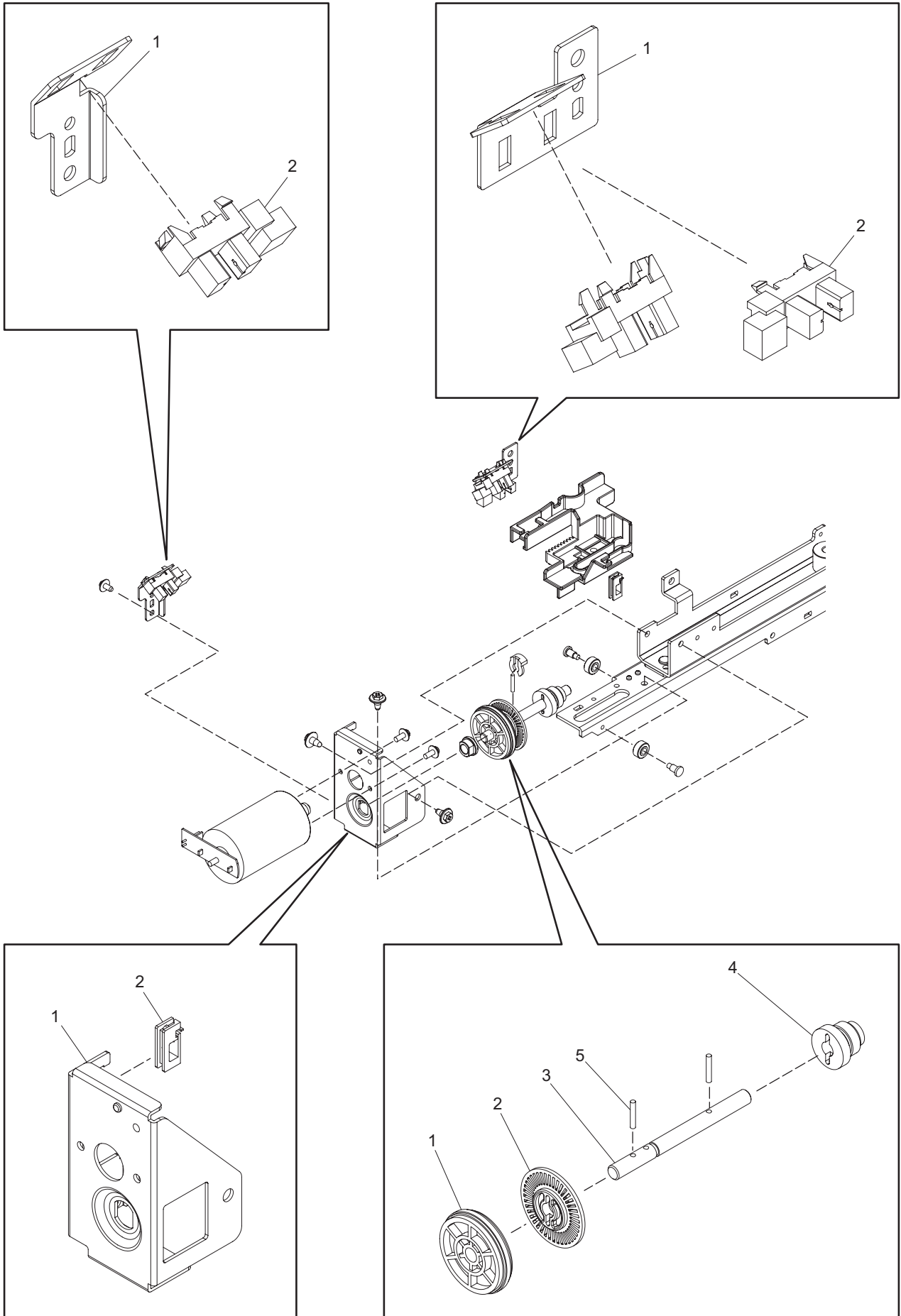
ITEM No.	PART No.	PART NAME	Q'TY / PAGE	Q'TY / PACK	REMARKS
1	6LJ20863000	BASE PC M 2 TT	1	1/PP	
2	6LJ19912000	COVER-PC-TOP-TT	1	1/PP	
3	6LJ20862000	BASE PC M 1 TT	1	1/P	
4	6LJ20858000	KNOB PC PNC JAM TT	1	1/P	
6	6LJ20743000	SP-PC-FLAT-F	1	1/P	
7	6LJ20767000	CVR-BS-DST-PCB-F	1	1/P	
8	6LJ20859000	BASE BS M TT	1	1/PP	
9	6LJ20761000	BOX-BS-DST	1	1/PP	
10	6LJ20759000	CVR-BS-DST-PCB	1	1/P	
11	6LJ20764000	GER-080-16-30	1	1/P	
12	6LJ20768000	DUCT-PC-PCB	1	1/P	
13	6LJ20742000	BKT-BS-EARTH	1	1/P	
14	6LJ20781000	SP-BASE-DST-UNDER	1	1/P	
15	6LJ20763000	GER-080-15-050-52	1	1/P	
17	6LJ20856000	ASSY PBA CONT	1	1/SB	
18	6LJ20766000	BASE-SEN-R	1	1/P	
19	6LJ20765000	BASE-SEN-F	1	1/P	
20	6LJ20855000	PBA DUSTPTR	1	1/SB	
21	6LJ20854000	PBA DUSTLED	1	1/SB	
22	6LJ20888000	MOT-PM42L-048-NSH8	1	1/C	
23	6LJ20779000	SP-BS-SLD-TS	1	1/P	
24	6LJ20861000	COVER PC INR R TT	1	1/P	
25	6LJ20769000	PLT-SEN-DST	1	1/P	
26	6LJ20860000	COVER PC INR TT	1	1/P	
27	6LJ20069000	SCR03T100-D	1	1/P	
28	6LJ19998000	SCR-030-060	2	1/P	
29	6LJ20071000	SCR03T100-W	21	1/P	
30	6LJ19997000	SCR-030-060NWS	1	1/P	
31	6LJ20691000	SCR030060FWBI	2	1/P	
32	6LJ20857000	BRUSH PC PUNCH	2	1/P	
33	6LJ20678000	KI-100M	1	1/P	



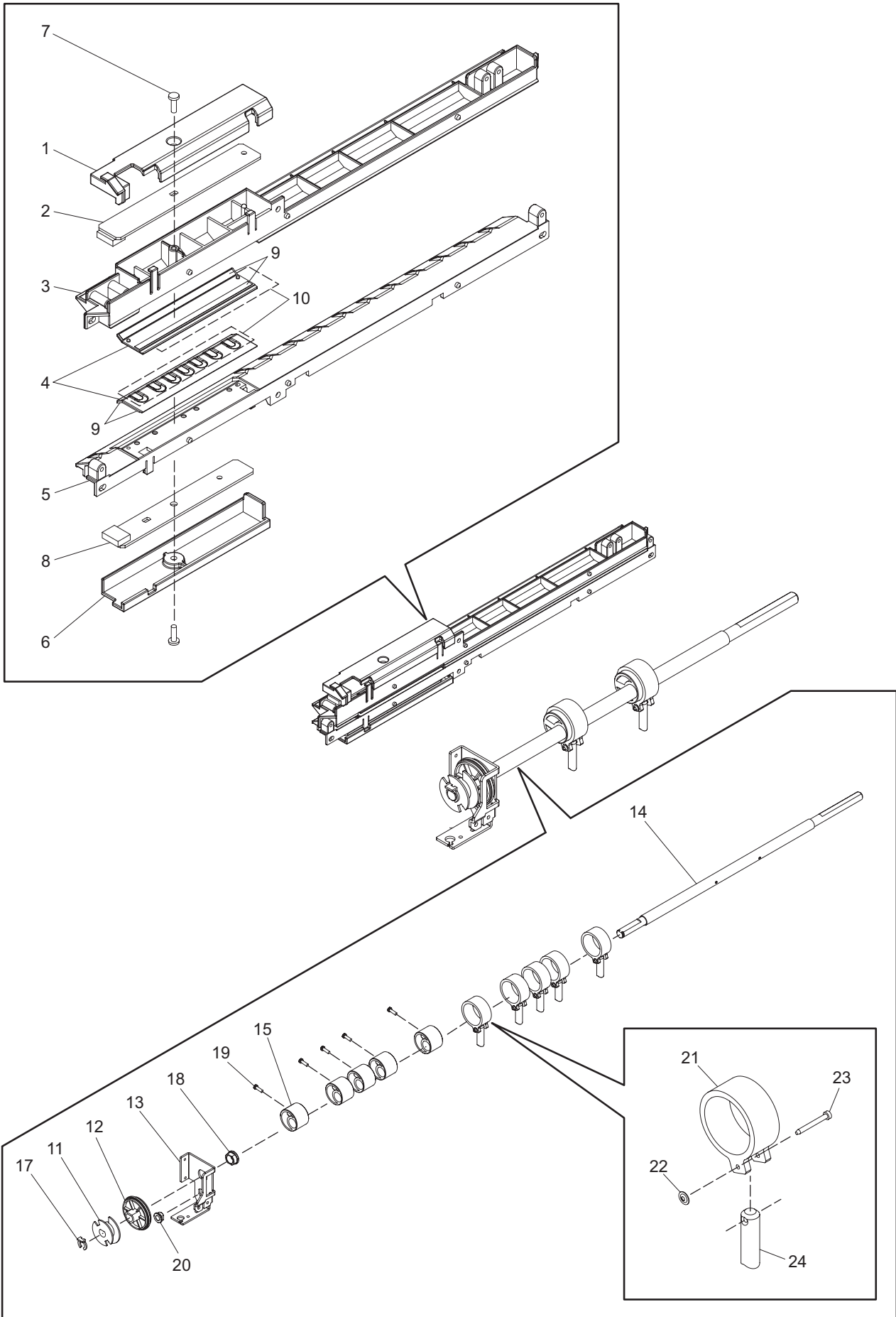
ITEM No.	PART No.	PART NAME	Q'TY / PAGE	Q'TY / PACK	REMARKS
1	6LJ20757000	BKT-BS-PCB	1	1/P	
2	6LJ20732000	K-BASE-BS-P	1	1/P	
3	6LJ20741000	SP-PC-FLAT-EARTH	1	1/P	
4	6LJ20064000	SCR03T060SR-W	1	1/P	
5	6LJ20693000	SCR-040-080	1	1/P	
6	6LJ20691000	SCR030060FWBI	1	1/P	
7	6LJ20013000	JCM-0404S	2	1/P	
8	6LJ20012000	JCM-0509S	1	1/P	
9	6LJ20675000	SG2481-NY	1	1/P	



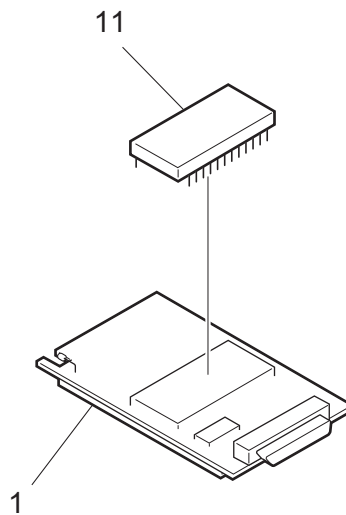
ITEM No.	PART No.	PART NAME	Q'TY / PAGE	Q'TY / PACK	REMARKS
3 A	6LJ20729000	ASY-PC-DIE-USA	1	1/P	USA FRN SWD
3 B	6LJ20730000	ASY-PC-DIE-FRN	1	1/P	
3 C	6LJ20731000	ASY-PC-DIE-SWD	1	1/P	
8	6LJ20744000	GID-PC-PNC-DST-R	1	1/P	
9	6LJ20740000	GID-PC-PNC-DST	1	1/P	
10	6LJ20738000	BKT-PC-FRM-F	1	1/P	
11	6LJ20760000	GID-PC-SLD	1	1/P	
12	6LJ20756000	RCK-PC-SLD	1	1/P	
13	6LJ20734000	MOT-PJN29ED24CH-ASY	1	1/C	
14	6LJ20778000	COL-PC-SLD-EARTH	2	1/P	
15	6LJ20752000	COL-PC-SLD	2	1/P	
16	6LJ20780000	SCR-COL-PC	4	1/P	
17	6LJ20068000	SCR04T080SR-W	2	1/P	
18	6LJ19998000	SCR-030-060	2	1/P	
19	6LJ20699000	M3X10	2	1/P	
20	6LJ20691000	SCR030060FWBI	6	1/P	
21	6LJ20064000	SCR03T060SR-W	11	1/P	
22	6LJ20713000	HP-020	1	1/P	
23	6LJ20055000	CLIP050140W	1	1/P	
24	6LJ20062000	METAL100070FC	1	1/P	
25	6LJ20060000	METAL060060FC	1	1/P	
26	6LJ20067000	SCR04T070SR-W	1	1/P	
27	6LJ20001000	SCR-030-100NWS	2	1/P	



ITEM No.	PART No.	PART NAME	Q'TY / PAGE	Q'TY / PACK	REMARKS
1	6LJ20751000	GER-HSB-050-63	1	1/P	
2	6LJ20748000	PLT-PC-PNC-CLK	1	1/P	
3	6LJ20777000	SFT-PC-PNC-CLK	1	1/P	
4	6LJ20750000	GER-HSB-080-14	1	1/P	
5	6LJ20713000	HP-020	2	1/P	
6	6LJ20735000	BKT-PC-PNC-MOT	1	1/P	
7	6LJ20684000	LES-0510	1	1/P	
8	6LJ20737000	BKT-PC-SNS-CLK	1	1/P	
9	6LJ20674000	LG248-NL1A	1	1/P	
10	6LJ20736000	BKT-PC-SNS-HP	1	1/P	
11	6LJ20675000	SG2481-NY	2	1/P	



ITEM No.	PART No.	PART NAME	Q'TY / PAGE	Q'TY / PACK	REMARKS
1	6LJ20758000	CVR-PC-GID-PCB	1	1/P	
2	6LJ20852000	PBA REGPTR	1	1/SB	
3	6LJ20754000	GID-PC-ENT-UP	1	1/PP	
4	6LJ20755000	CVR-PC-PASS-SNS	2	1/P	
5	6LJ20753000	GID-PC-ENT-DOWN	1	1/PP	
6	6LJ20762000	CVR-PC-GID-PCB-DOWN	1	1/P	
7	6LJ20699000	M3X10	2	1/P	
8	6LJ20853000	PBA REGLED	1	1/C	
9	6LJ20783000	WF-TAPE-PASS-SNS	4	1/P	
10	6LJ20784000	MLR-GID-ENT	2	1/P	
11	6LJ20747000	PLT-PC-PNC-HP	1	1/P	
12	6LJ20749000	GER-HSB-080-47	1	1/P	
13	6LJ20739000	BKT-PC-FRM-R	1	1/P	
14 A	6LJ20774000	SFT-PC-PNC-USA	1	1/P	USA
14 B	6LJ20775000	SFT-PC-PNC-FRN	1	1/P	FRN
14 C	6LJ20776000	SFT-PC-PNC-SWD	1	1/P	SWD
15 A	6LJ20746000	CAM-PC-PNC	5	1/P	USA
15 B	6LJ20746000	CAM-PC-PNC	4	1/P	FRN,SWD
17	6LJ20078000	CLIP080150W	1	1/P	
18	6LJ20062000	METAL100070FC	1	1/P	
19 A	6LJ20696000	SCR-030-100	5	1/P	USA
19 B	6LJ20696000	SCR-030-100	4	1/P	FRN,SWD
20	6LJ20060000	METAL060060FC	1	1/P	
21 A	6LJ20745000	CRNK-PC-CAM	5	1/P	USA
21 B	6LJ20745000	CRNK-PC-CAM	4	1/P	FRN,SWD
22 A	6LJ20782000	PUSH-NUT	5	1/P	USA
22 B	6LJ20782000	PUSH-NUT	4	1/P	FRN,SWD
23 A	6LJ20770000	PIN-PC-CRNK	5	1/P	USA
23 B	6LJ20770000	PIN-PC-CRNK	4	1/P	FRN,SWD
24 A	6LJ20772000	PNC-PC-080	5	1/P	USA
24 B	6LJ20771000	PNC-PC-065	4	1/P	FRN,SWD



TOSHIBA

TOSHIBA TEC CORPORATION

2-17-2, HIGASHIGOTANDA, SHINAGAWA-KU, TOKYO, 141-8664, JAPAN