

# **SERVICE PARTS LIST**

**Controller Options**

**GM-2240**

**P**

## **Controller Options**

### **PARTS CATALOG**

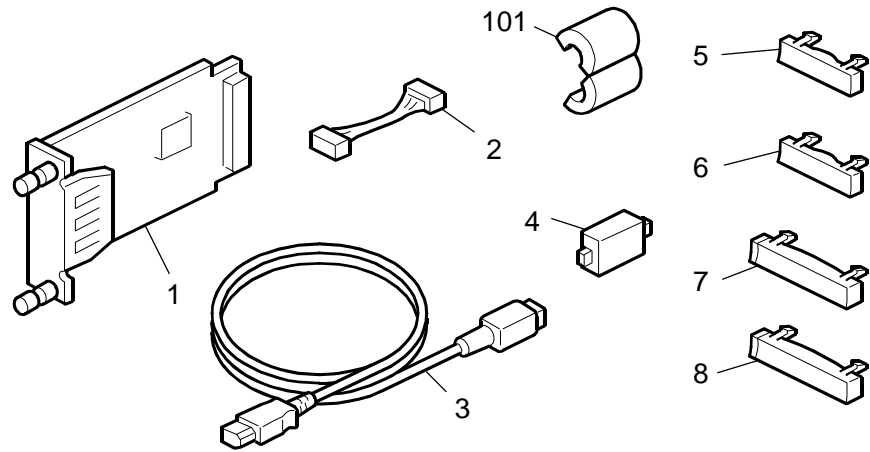
This catalog gives the numbers and names of parts on this machine.

1.Controller Options .....	2
<b>Parts Index .....</b>	<b>6</b>

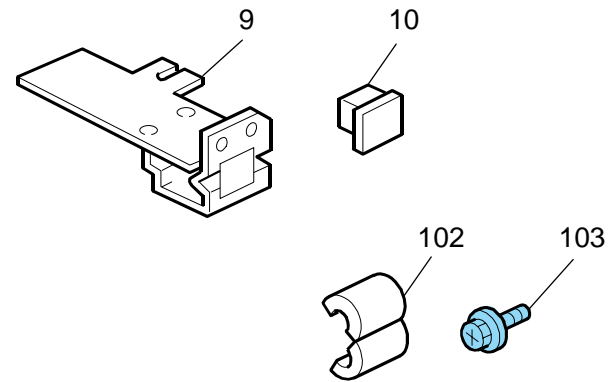
**July 20, 2010**

# 1.Controller Options

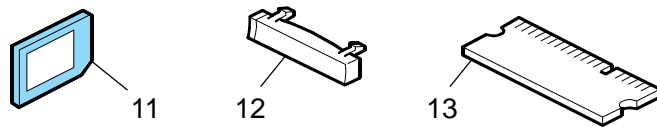
## Copy Connector Type 3260 (B328-11)



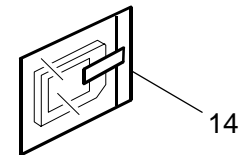
## Gigabit Ethernet Type B (D377-21)



## Printer/Scanner Unit GM-2240 (D451-19)



## DataOverwriteSecurity Unit Type H (D377-06)



## 1.Controller Options

Index No.	Part No.	Description	Q'ty Per Assembly
1	B328 5662	PCB:Coupling:PBF	2
2	B328 5500	Cable:Power:Repeater	2
3	B328 5503	Interface Cable	3
4	B140 5725	Hub:1394:Repeater	2
5	B223 1533	Keytop:Function:NA	2
5	B223 1539	Keytop:Function:EU	2
6	B234 1574	Keytop:KINO_MENU:NA	2
6	B234 1580	Keytop:KINO_MENU:EU	2
7	B132 7366	Keytop:MENU:NA	2
7	B132 7368	Keytop:MENU:EU	2
8	B132 7367	Keytop:PRN-MENU	2
8	B132 7369	Keytop:PRN-MENU:EU	2
9	G178 6033	PCB:Gigaethernet:Pcie	1
10	B129 5008	Cap - LAN Connector	1
11	D451 5003	SD-CARD:PRN/SCN:BELL-C4:TTEC:Ass'y	1
12	B234 1571	Keytop - Printer NA	1
12	B234 1572	Keytop - Scanner NA	1
13	G178 6072	PCB:PC4200:RAWCARD-A:1GB	1
14	D377 0581	SD-Card - Service	1

Index No.	Part No.	Description	Q'ty Per Assembly
101	1607 1715	Ferrite Core - RFC-5	
102	1607 1461	Ferrite Core	
103	0454 3006Q	Tapping Screw - M3x6	

# Parts Index

## Parts Index

Part No.	Description	Page and Index No.
B328 5500	Cable:Power:Repeater	3 - 2
B328 5503	Interface Cable	3 - 3
B328 5662	PCB:Coupling:PBF	3 - 1
D377 0581	SD-Card - Service	3 - 14
D451 5003	SD-CARD:PRN/SCN:BELL-C4:TTEC:Ass'y	3 - 11

Part No.	Description	Page and Index No.
B129 5008	Cap - LAN Connector	3 - 10
B132 7366	Keytop:MENU:NA	3 - 7
B132 7367	Keytop:PRN-MENU	3 - 8
B132 7368	Keytop:MENU:EU	3 - 7
B132 7369	Keytop:PRN-MENU:EU	3 - 8
B140 5725	Hub:1394:Repeater	3 - 4
B223 1533	Keytop:Function:NA	3 - 5
B223 1539	Keytop:Function:EU	3 - 5
B234 1571	Keytop - Printer NA	3 - 12
B234 1572	Keytop - Scanner NA	3 - 12
B234 1574	Keytop:KINO_MENU:NA	3 - 6
B234 1580	Keytop:KINO_MENU:EU	3 - 6
G178 6033	PCB:Gigaethernet:Pcie	3 - 9
G178 6072	PCB:PC4200:RAWCARD-A:1GB	3 - 13

Part No.	Description	Page and Index No.
0454 3006Q	Tapping Screw - M3x6	3 - 103
1607 1461	Ferrite Core	3 - 102
1607 1715	Ferrite Core - RFC-5	3 - 101

Part No.	Description	Page and Index No.