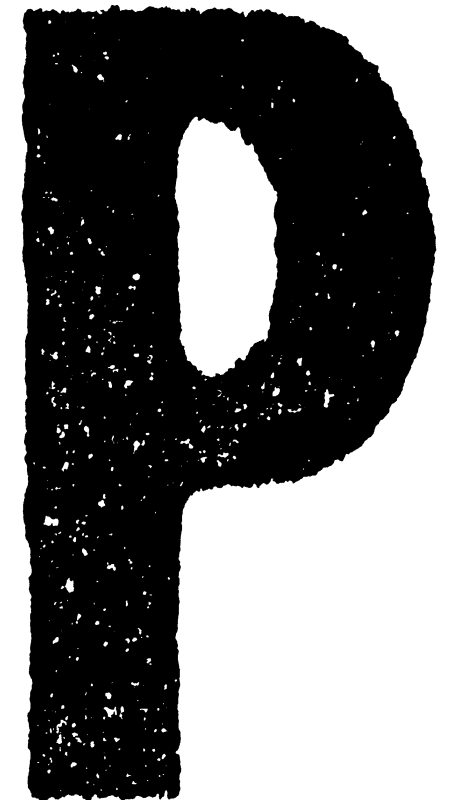


SERVICE PARTS LIST

Multi-Folding Unit

FD5000



Multi-Folding Unit FD5000 (D454)

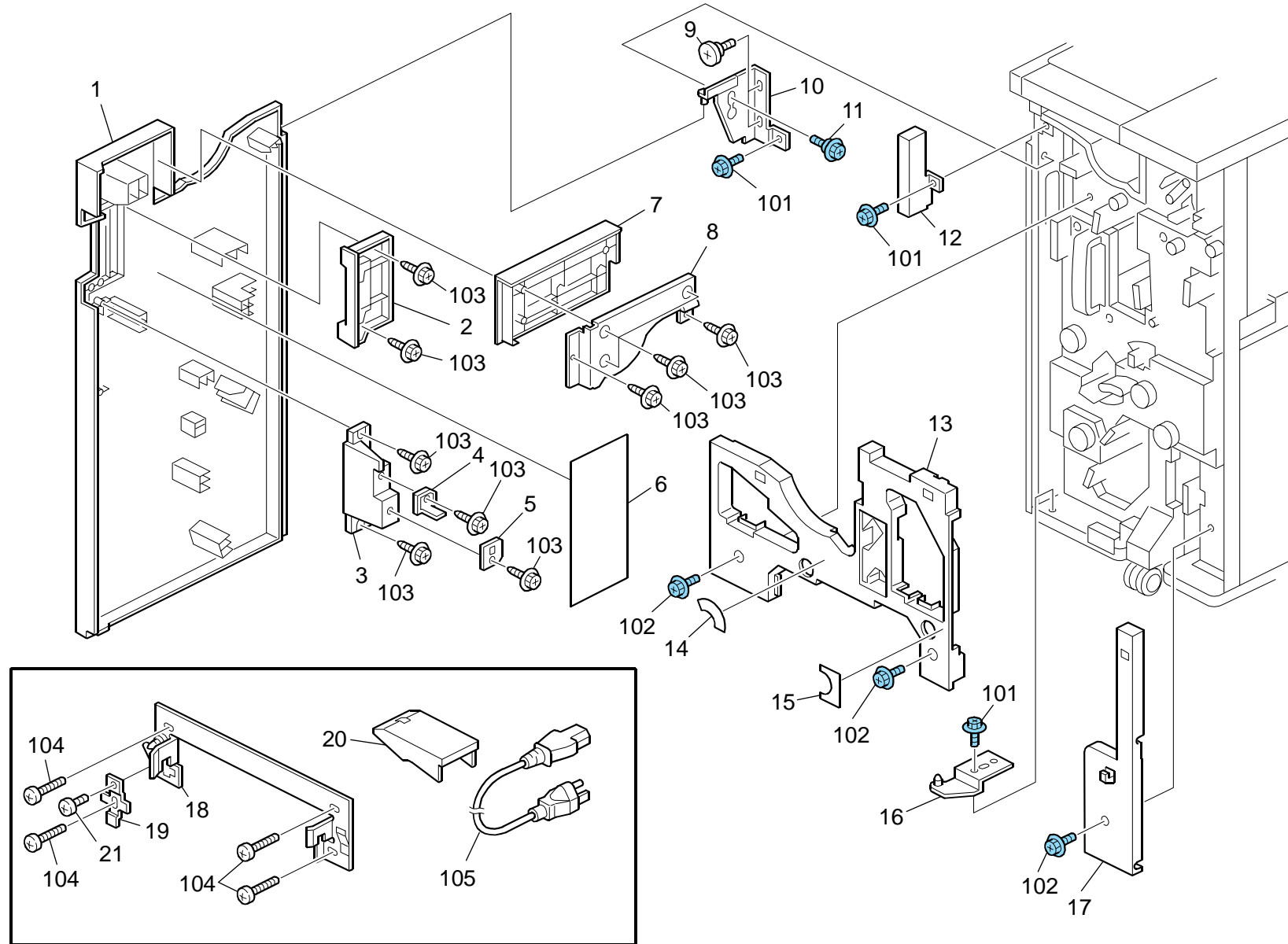
PARTS CATALOG

This catalog gives the numbers and names of parts on this machine.

1.Exterior 1 (D454)	2	19.Fold Unit 13 (D454).....	38
2.Exterior 2 (D454)	4	20.Fold Unit 14 (D454).....	40
3.Paper Transfer:Entrance (D454)	6	21.Fold Unit 15 (D454).....	42
4.Paper Transfer 1 (D454).....	8	22.Fold Unit 16 (D454).....	44
5.Paper Transfer 2 (D454).....	10	23.Fold Unit 17 (D454).....	46
6.Paper Transfer 3 (D454).....	12	24.Fold Unit 18 (D454).....	48
7.Fold Unit 1 (D454)	14	25.Fold Unit 19 (D454).....	50
8.Fold Unit 2 (D454)	16	26.Fold Unit 20 (D454).....	52
9.Fold Unit 3 (D454)	18	27.Fold Unit 21 (D454).....	54
10.Fold Unit 4 (D454)	20	28.Fold Unit 22 (D454).....	56
11.Fold Unit 5 (D454)	22	29.Paper Exit Section 1 (D454)	58
12.Fold Unit 6 (D454)	24	30.Paper Exit Section 2 (D454)	60
13.Fold Unit 7 (D454)	26	31.Paper Exit Section 3 (D454)	62
14.Fold Unit 8 (D454)	28	32.Drive Section (D454).....	64
15.Fold Unit 9 (D454)	30	33.Electrical Section (D454)	66
16.Fold Unit 10 (D454)	32	34.Frame Section (D454).....	68
17.Fold Unit 11 (D454)	34	Parts Index.....	72
18.Fold Unit 12 (D454)	36		

July 20, 2010

1.Exterior 1 (D454)

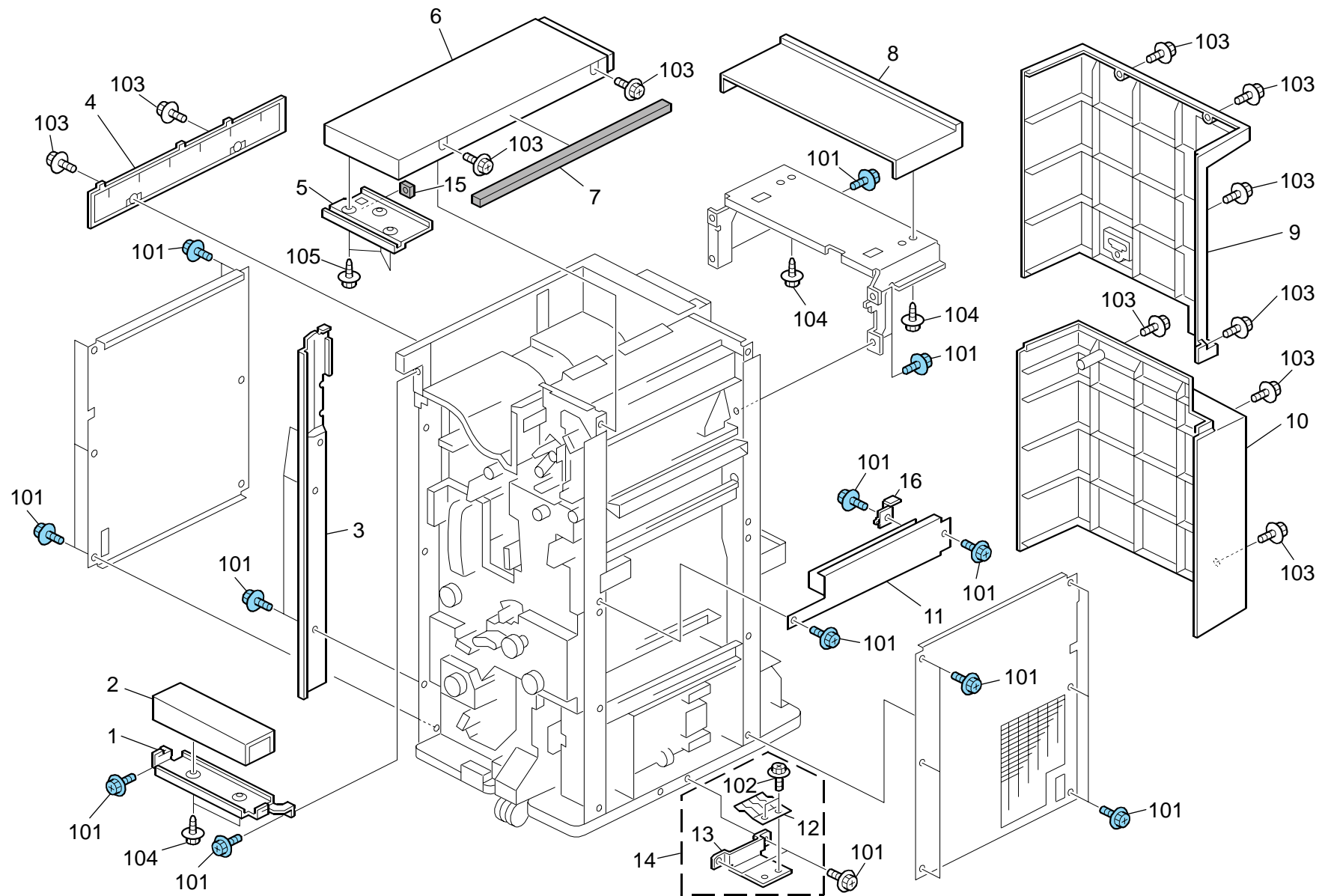


1.Exterior 1 (D454)

Index No.	Part No.	Description	Q'ty Per Assembly
1	D454 6312	Cover:Front	1
2	D454 6341	Cover:Front:Grip	1
3	D454 6321	Cover:Front:Small	1
4	B234 1293	Lever - Safety Switch	1
5	B234 1296	Plate:Magnet Catch	1
6	D454 7210	Decal:Misfeed Removal	1
7	D454 6331	Cover:Take Off:Front	1
8	D454 6332	Bracket:Cover:Take Off:Front	1
9	AA14 3807	Screw:A	2
10	D454 6360	Hinge:Door:Upper:Ass'y	1
11	B830 1135	Screw	1
12	D454 6351	Cover:Front:Left Upper	1
13	D454 6521	Inner Cover:Transport Sub-unit:Upper	1
14	D454 7105	Decal:Knob:N5	1
15	D454 7103	Decal:Knob:N3	1
16	D454 6370	Hinge:Door:Lower:Ass'y	1
17	D454 6531	Inner Cover:Right Lower	1
18	D434 1476	Bracket:Coupling:Main:Ass'y	1
19	B830 7536	Coupling Bracket - Correct	1
20	D454 7522	Tray:Auxiliary:Proof Tray	1
21	AA14 3396	Screw - M4x4	1

Index No.	Part No.	Description	Q'ty Per Assembly
101	0454 3006Q	Tapping Screw - M3x6	
102	0454 3008Q	Tapping Screw:3x8	
103	0450 4008N	Tapping Screw - M4x8	
104	0354 0140N	Screw M4x14	
105	1150 0373	Power Supply Code:125V 15A NA	

2.Exterior 2 (D454)

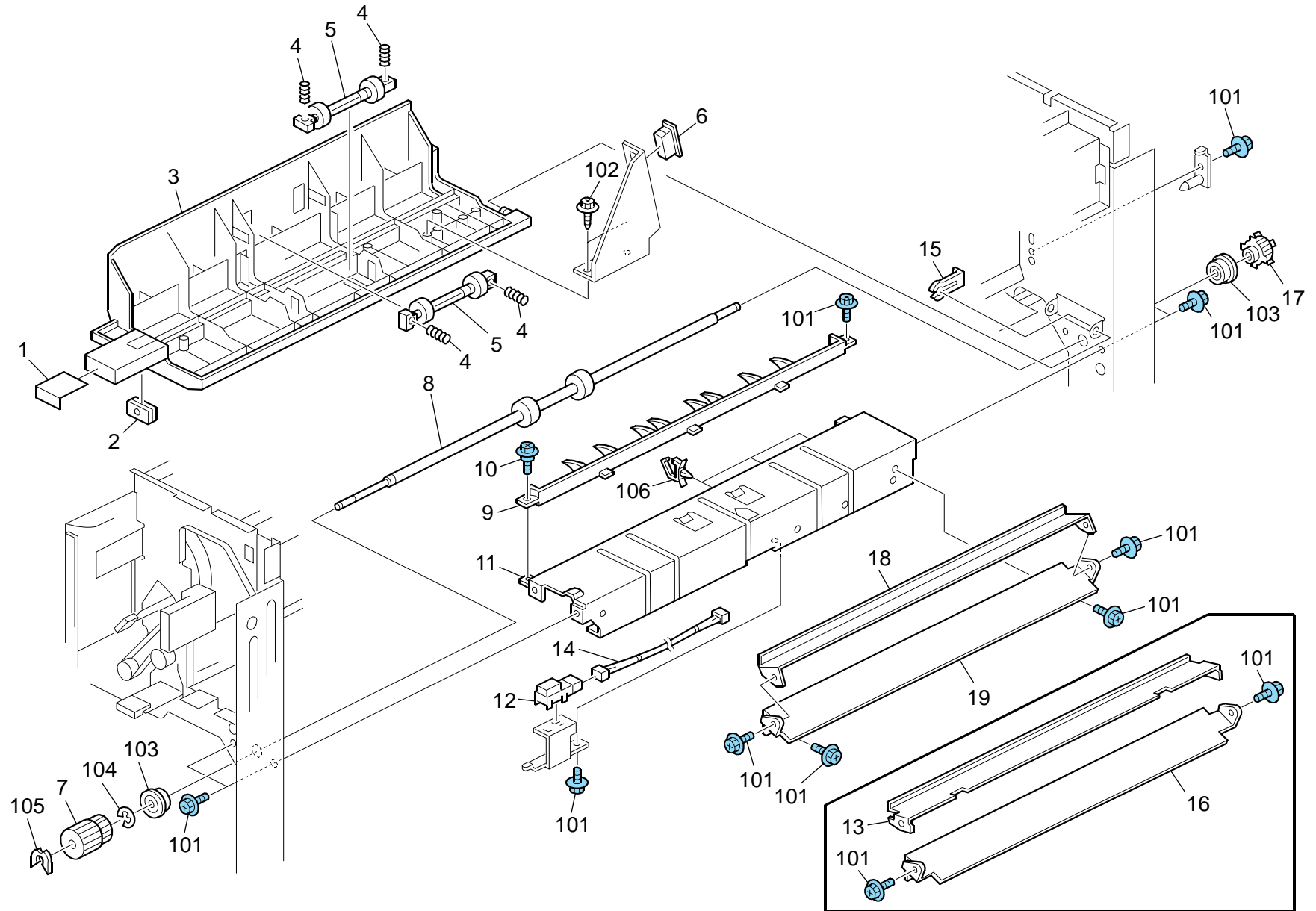


2.Exterior 2 (D454)

Index No.	Part No.	Description	Q'ty Per Assembly
1	D454 6252	Bracket:Cover:Take Off:Upper	1
2	D454 6253	Cover:Take Off:Upper	1
3	D454 6411	Cover:Left:Front	1
4	D454 6241	Cover:Upper Left	1
5	D454 6222	Cover:Behind:Upper Right	1
6	D454 6221	Cover:Upper Right	1
7	D447 7591	Cushion:Spacer:440mm	1
8	D454 6231	Cover:Upper Rear	1
9	D454 6610	Cover:Rear Upper	1
10	D454 6620	Cover:Rear Lower	1
11	D454 1450	Cover:Safety Switch:Ass'y	1
12	B302 1163	Grounding Plate	1
13	D434 1451	Bracket:Ground Plate	1
14	D434 1450	Bracket:Ground Plate:Ass'y	1
15	D454 6223	Cushion:Cover:Behind:Upper Right	1
16	D454 1453	Cover:Harness:Safety Switch:Rear	1

Index No.	Part No.	Description	Q'ty Per Assembly
101	0454 3006Q	Tapping Screw - M3x6	
102	0451 3006N	Tapping Screw - 3x6	
103	0451 3008N	Tapping Screw - M3x8	
104	0450 3008N	Tapping Screw - M3x8	
105	0450 4008N	Tapping Screw - M4x8	

3.Paper Transfer:Entrance (D454)

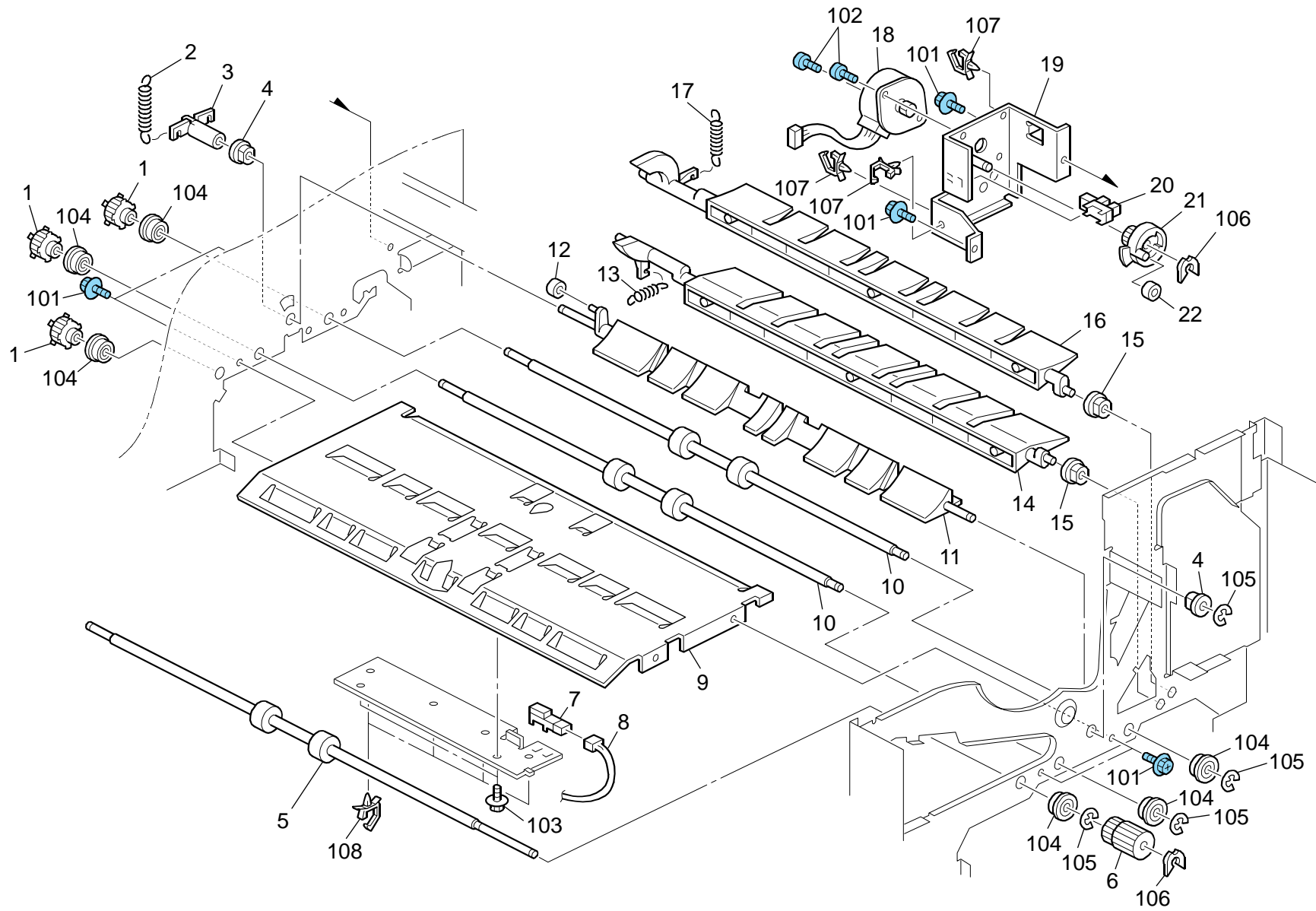


3.Paper Transfer:Entrance (D454)

Index No.	Part No.	Description	Q'ty Per Assembly
1	D454 7101	Decal:Guide Plate:N1	1
2	AG07 0514	Magnet Catch	1
3	D454 2472	Guide Plate:Entrance:Open And Close	1
4	D454 2436	Compression Spring:Driven:2.0N	4
5	AF02 2147	Driven Roller	2
6	AG07 0513	Magnet Catch	1
7	B302 4273	Stapler Unit Knob	1
8	D454 2101	Transport Roller:Horizontal:DIA20	1
9	D454 2413	Guide Plate:Entrance:Lower:Auxiliary	1
10	B830 1135	Screw	1
11	D454 2412	Guide Plate:Entrance:Lower	1
12	GW01 0007	Photo Reflection Sensor:Exit	1
13	D454 2196	Guide Plate:Connecting:Upper	1
14	D454 5222	Harness:Sensor:Fix:Entrance Sensor	1
15	C101 2360	Snap Ring	1
16	A697 2250	Lower Relay Guide	1
17	B352 1607	Timing Pulley - T20-S3M	1
18	B835 1188	Guide Plate - Upper	1
19	B830 7511	Connecting Guide Plate - Lower	1

Index No.	Part No.	Description	Q'ty Per Assembly
101	0454 3006Q	Tapping Screw - M3x6	
102	0450 3008N	Tapping Screw - M3x8	
103	0741 3506	Ball Bearing - 6x12x4 mm	
104	0720 0040E	Retaining Ring - M4	
105	0805 0089	Retaining Ring - M4	
106	1105 0623	Clamp - LBWS-0206S-V0	

4.Paper Transfer 1 (D454)

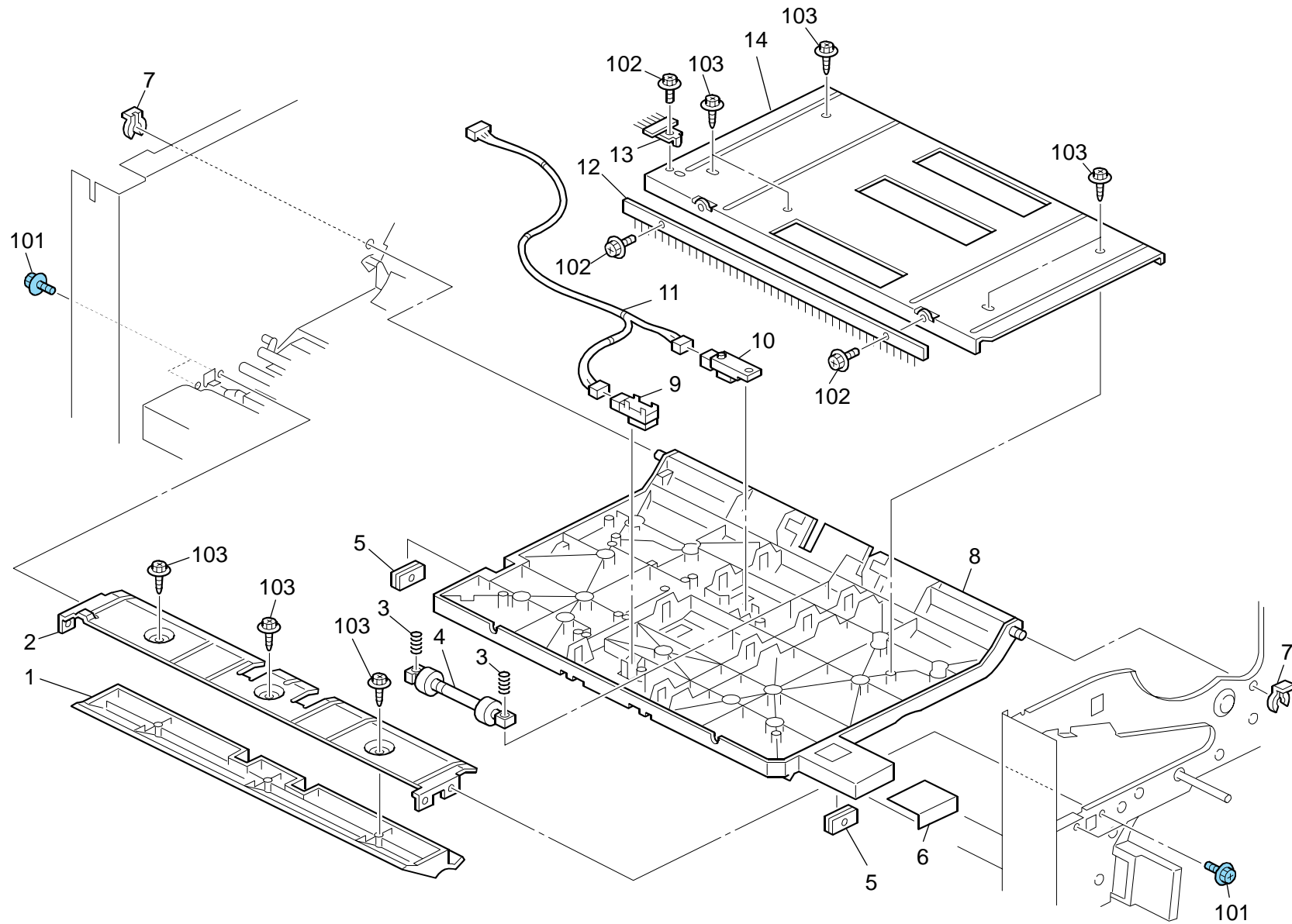


4.Paper Transfer 1 (D454)

Index No.	Part No.	Description	Q'ty Per Assembly
1	B352 1607	Timing Pulley - T20-S3M	3
2	D454 2207	Tension Spring:Exchange Pawl:Exit	1
3	D454 2206	Arm:Exchange Pawl:Exit	1
4	5053 0447	Bushing - 6mm	2
5	D454 2102	Transport Roller:Pick-up Paper Jam:DIA20	1
6	B302 4273	Stapler Unit Knob	1
7	GW01 0007	Photo Reflection Sensor:Exit	1
8	D454 5324	Harness:Sensor:Fix:St Sensor	1
9	D454 2421	Guide Plate:Proof Tray:Middle:Left	1
10	D454 2101	Transport Roller:Horizontal:DIA20	2
11	D454 2205	Exchange Pawl:Exit:Proof Tray	1
12	A458 2251	Cushion - Bin Solenoid Lever	1
13	D454 2159	Tension Spring:Exchange Pawl: Entrance:Lower	1
14	D454 2157	Exchange Pawl:Entrance:Lower	1
15	AA08 0346	Bushing:Flange Type:DIA6	2
16	D454 2156	Exchange Pawl:Entrance:Upper	1
17	D454 2158	Tension Spring:Exchange Pawl: Entrance:Upper	1
18	B700 5804	Stepper Motor:DIA42:Z17:Ass'y	1
19	D454 2151	Bracket:Motor:Exchange Pawl: Entrance:Ass'y	1
20	AW02 0141	Photointerruptor	1
21	D454 2154	Gear:Cam:Exchange Pawl:Entrance	1
22	B830 2751	Roller	1

Index No.	Part No.	Description	Q'ty Per Assembly
101	0454 3006Q	Tapping Screw - M3x6	
102	0802 5305	Tapping Screw - M3x6	
103	0451 3006N	Tapping Screw - 3x6	
104	0741 3506	Ball Bearing - 6x12x4 mm	
105	0720 0040E	Retaining Ring - M4	
106	0805 0089	Retaining Ring - M4	
107	1105 0516	Clamp	
108	1105 0623	Clamp - LBWS-0206S-V0	

5.Paper Transfer 2 (D454)

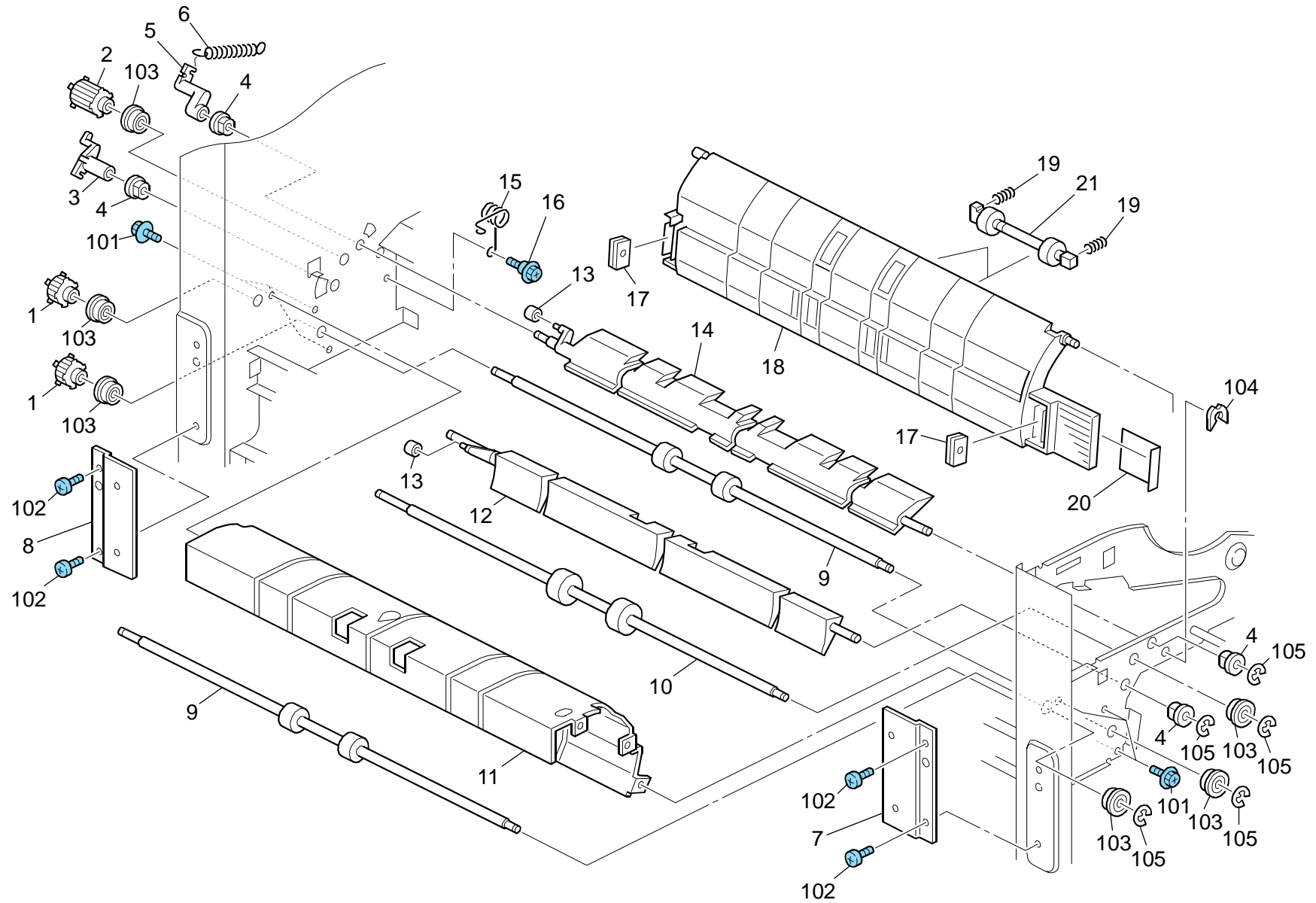


5.Paper Transfer 2 (D454)

Index No.	Part No.	Description	Q'ty Per Assembly
1	D454 2542	Guide Plate:Exit:Middle:Lower	1
2	D454 2442	Guide Plate:Exit:Middle:Upper	1
3	D454 2436	Compression Spring:Driven:2.0N	4
4	AF02 2147	Driven Roller	2
5	AG07 0514	Magnet Catch	2
6	D454 7104	Decal:Guide Plate:N4	1
7	5215 2621	Snap Ring - M6	2
8	D454 2452	Guide Plate:Horizontal:Rear	1
9	GW01 0007	Photo Reflection Sensor:Exit	1
10	AW01 0124	Photo Refiection Sensor:GP2A200LCS0F	1
11	D454 5238	Harness:Sensor:Fix:Guide Plate	1
12	B700 2317	Discharge Brush	1
13	AA12 0097	Antistatic Brush	1
14	D454 2456	Supporting Plate:Proof Tray:Middle:Left	1

Index No.	Part No.	Description	Q'ty Per Assembly
101	0454 3006Q	Tapping Screw - M3x6	
102	0451 3006N	Tapping Screw - 3x6	
103	0450 3008N	Tapping Screw - M3x8	

6.Paper Transfer 3 (D454)

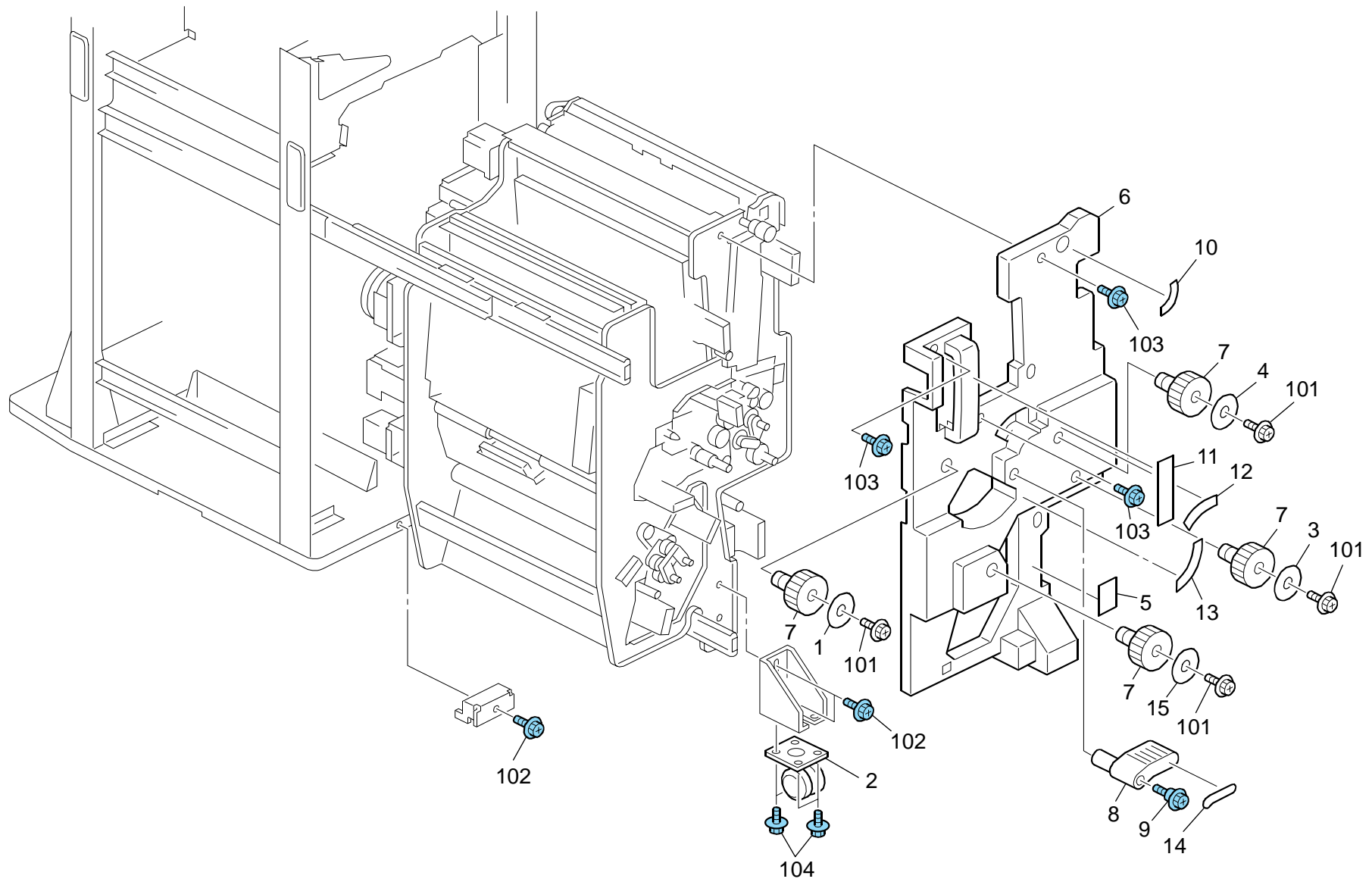


6.Paper Transfer 3 (D454)

Index No.	Part No.	Description	Q'ty Per Assembly
1	B352 1607	Timing Pulley - T20-S3M	2
2	D454 2617	Timing Pulley:S3M:T25:Long	1
3	D454 2305	Arm:Exchange Pawl:Exit	1
4	5053 0447	Bushing - 6mm	4
5	D454 2256	Arm:Exchange Pawl:Exit	1
6	D454 2257	Tension Spring:Exchange Pawl: Exit:Horizontal	1
7	D447 1143	Bracket:Connection:Front	1
8	D447 1153	Bracket:Connection:Rear	1
9	D454 2101	Transport Roller:Horizontal:DIA20	2
10	D454 2103	Transport Roller:Horizontal:DIA25	1
11	D454 2522	Guide Plate:Exit:Horizontal	1
12	D454 2306	Exchange Pawl:Exit	1
13	A458 2251	Cushion - Bin Solenoid Lever	2
14	D454 2255	Exchange Pawl:Exit:Horizontal	1
15	D454 2493	Torsion Spring:Guide Plate:Auxiliary	1
16	B830 1135	Screw	1
17	AG07 0514	Magnet Catch	2
18	D454 2532	Guide Plate:Exit:Proof Tray	1
19	D454 2436	Compression Spring:Driven:2.0N	4
20	D454 7107	Decal:Guide Plate:N7	1
21	AF02 2177	Roller:Driven:DIA20	2

Index No.	Part No.	Description	Q'ty Per Assembly
101	0454 3006Q	Tapping Screw - M3x6	
102	0802 5305	Tapping Screw - M3x6	
103	0741 3506	Ball Bearing - 6x12x4 mm	
104	0805 0089	Retaining Ring - M4	
105	0720 0040E	Retaining Ring - M4	

7.Fold Unit 1 (D454)

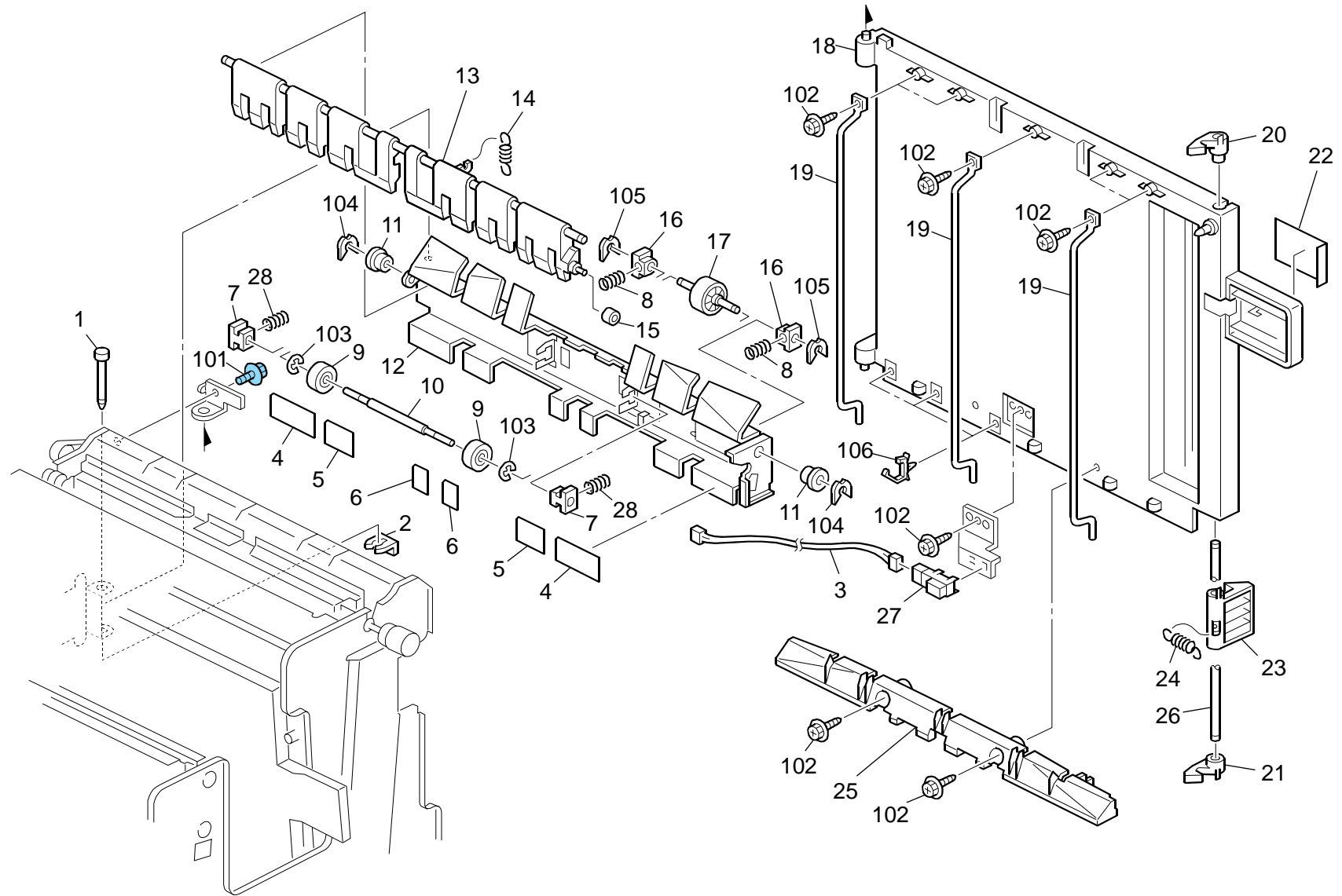


7.Fold Unit 1 (D454)

Index No.	Part No.	Description	Q'ty Per Assembly
1	D454 7119	Decal:Knob:N19	1
2	AH01 2014	Caster - 60kgf	1
3	D454 7108	Decal:Knob:N8	1
4	D454 7111	Decal:Knob:N11	1
5	D454 7128	Decal:Motor:Gathering Roller	1
6	D454 6511	Inner Cover:Paper Crimp Sub-unit	1
7	B468 4671	Knob	4
8	D454 4358	Handle:Cam:Paper Crimp:Pressure Release	1
9	B830 1135	Screw	1
10	D454 7106	Decal:Knob:N6	1
11	D454 7109	Decal:Grip:N9	1
12	D454 7124	Decal:Lever:Turn:N14	1
13	D454 7123	Decal:Lever:Turn:N13	1
14	D454 7113	Decal:Lever:N13	1
15	D454 7116	Decal:Knob:N16	1

Index No.	Part No.	Description	Q'ty Per Assembly
101	0451 3008N	Tapping Screw - M3x8	
102	0454 3006Q	Tapping Screw - M3x6	
103	0454 3008Q	Tapping Screw:3x8	
104	0454 4008Q	Tapping Screw - M4x8	

8.Fold Unit 2 (D454)

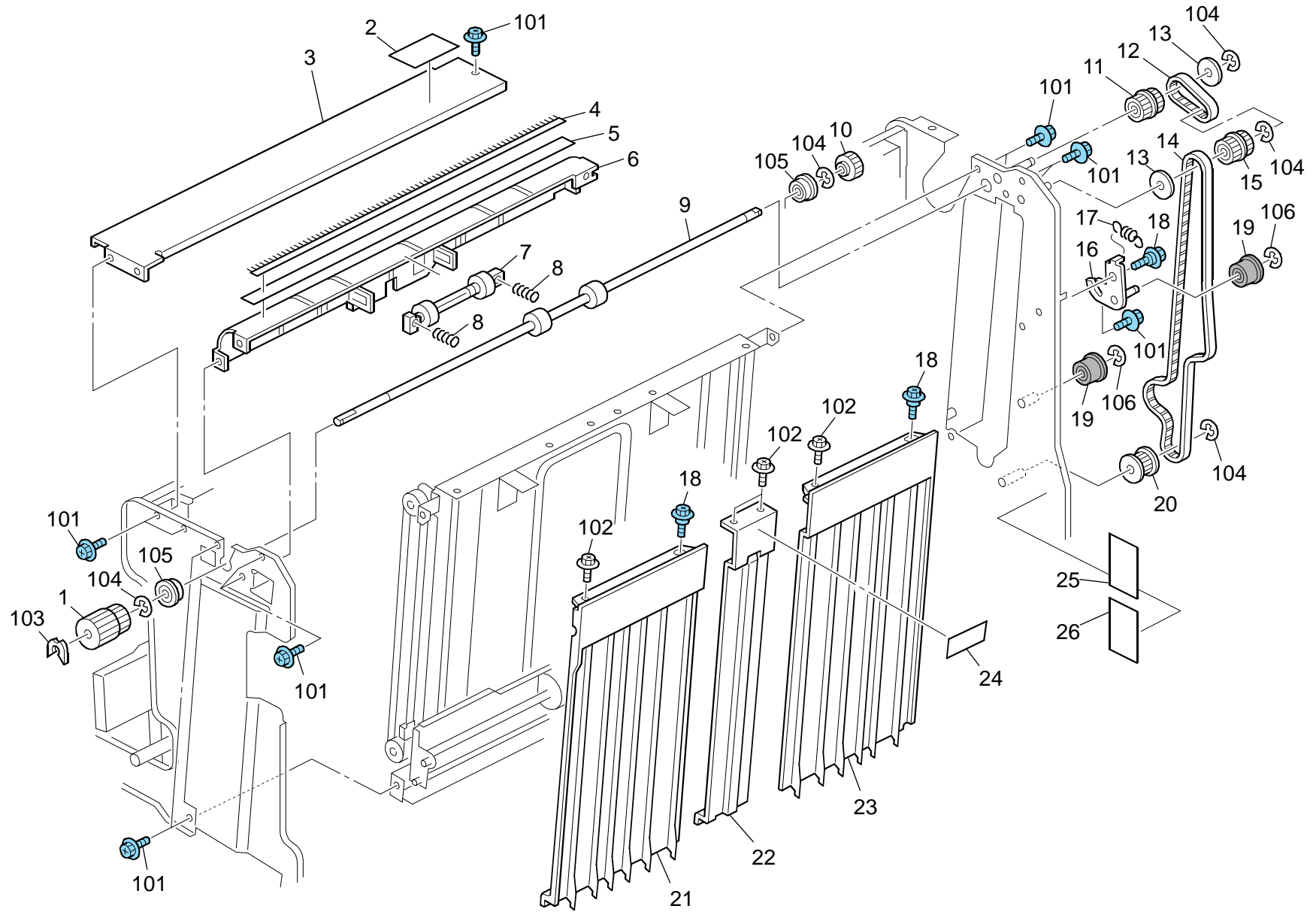


8.Fold Unit 2 (D454)

Index No.	Part No.	Description	Q'ty Per Assembly
1	D454 3477	Shaft:Contact Point:Guide Plate:Right Upper	1
2	5206 2686	Snap Ring	1
3	D454 5264	Harness:Sensor:Pull Out: Registration Sensor	1
4	D454 3436	Film:Guide:Middle	2
5	D454 3437	Film:Guide:Small	2
6	D454 3435	Film:Guide:Middle	2
7	D454 3434	Holder:Pressure:Roller	2
8	D454 2436	Compression Spring:Driven:2.0N	2
9	D454 3433	Roller:Driven	2
10	D454 3432	Shaft:Driven:Move	1
11	AA08 0072	Bushing - 6x10x3	2
12	D454 3417	Guide Plate:Move:Ass'y	1
13	D454 3442	Plate:Trailing Edge	1
14	D454 3443	Tension Spring:Plate:Trailing Edge	1
15	A458 2251	Cushion - Bin Solenoid Lever	1
16	B408 2175	Bushing - Roller Slide	2
17	D454 3446	Roller:Pressure	1
18	D454 3416	Guide Plate:Right Upper	1
19	D454 3412	Guide Rod	3
20	D454 3463	Lever:Lock:Upper	1
21	D454 3464	Lever:Lock:Lower	1
22	D454 7110	Decal:Guide Plate:N10	1
23	D454 3461	Grip:Guide Plate:Right Upper	1
24	D039 2676	Tension Spring:Registration	1
25	D454 3411	Guide:Right Upper	1
26	D454 3462	Shaft:Grip:Guide Plate:Right Upper	1
27	GW01 0007	Photo Reflection Sensor:Exit	1
28	D454 3438	Compression Spring:Driven:1.25N	2

Index No.	Part No.	Description	Q'ty Per Assembly
101	0454 3006Q	Tapping Screw - M3x6	
102	0450 3008N	Tapping Screw - M3x8	
103	0720 0030E	Retaining Ring - M3	
104	0805 0089	Retaining Ring - M4	
105	0805 0092	Retaining Ring - 3M	
106	1105 0623	Clamp - LBWS-0206S-V0	

9.Fold Unit 3 (D454)

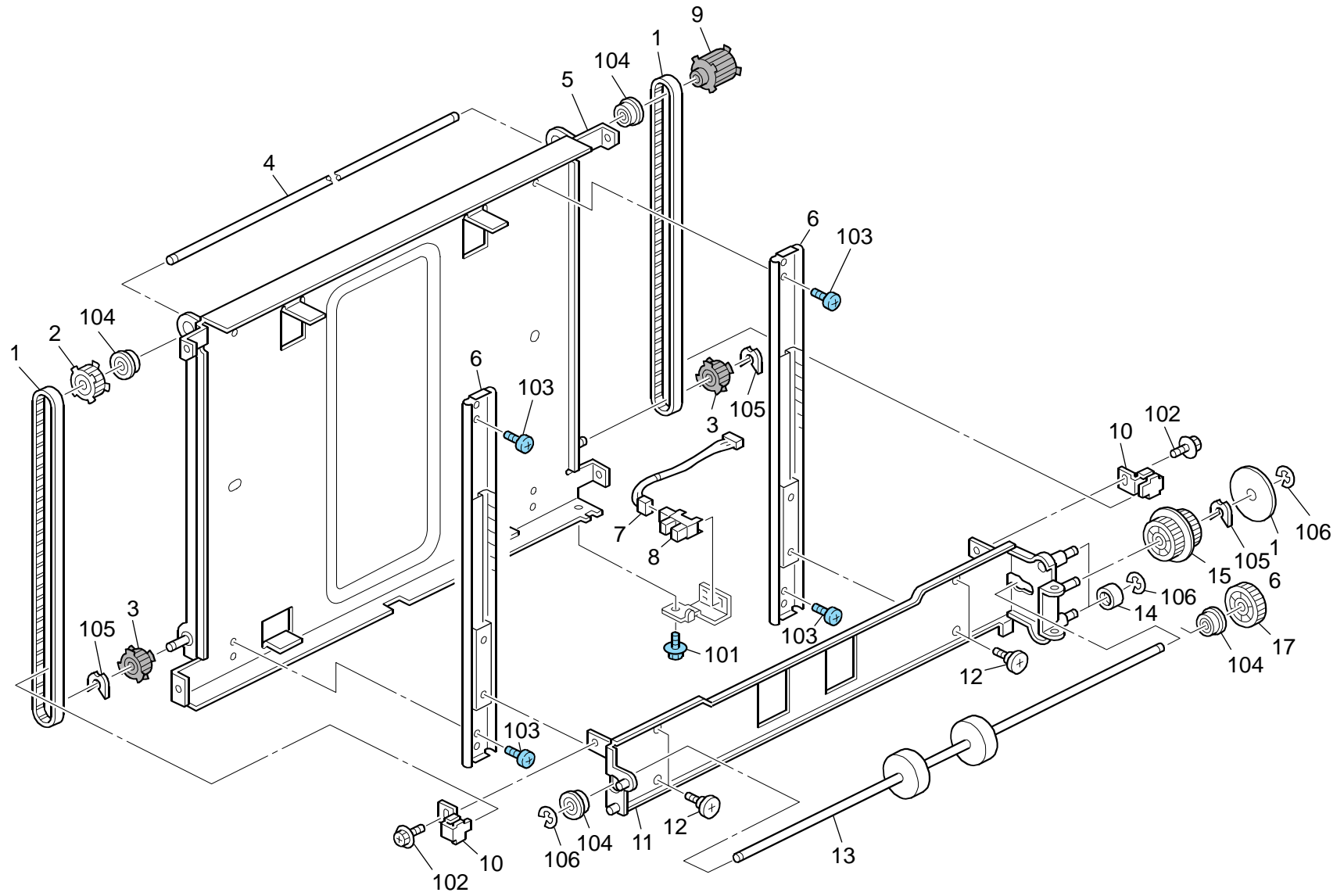


9.Fold Unit 3 (D454)

Index No.	Part No.	Description	Q'ty Per Assembly
1	B302 4273	Stapler Unit Knob	1
2	D454 7125	Decal:Motor:Upper	1
3	D454 3156	Cover:Paper Crimp Sub-unit:Upper	1
4	B477 2826	Discharge Brush:Exit	1
5	D454 3481	Guide:Turn:Entrance	1
6	D454 3471	Guide Plate:Turn:Entrance:Lower	1
7	AF02 2147	Driven Roller	1
8	D454 2436	Compression Spring:Driven:2.0N	2
9	D454 3362	Transport Roller:Vertical Transport	1
10	B065 3918	Toner Collection Gear Coil	1
11	D454 3525	Timing Pulley:T20/Z17	1
12	AA04 3331	Timing Belt:60S3M114	1
13	A300 3812	Spacer - 6x22x1.5	2
14	D454 3523	Timing Belt:60S3M624	1
15	D454 3524	Timing Pulley:T20/T20	1
16	D454 2612	Bracket:Tensioner	1
17	C639 3071	Tension Spring:Turn:Pressure Roller	1
18	B830 1135	Screw	2
19	A458 3281	Idler Roller	2
20	AB03 0755	Pulley:20T:S3M	1
21	D454 3312	Guide Plate:Right Upper:Front	1
22	D454 3351	Guide Plate:Right Upper:Middle	1
23	D454 3311	Guide Plate:Right Upper:Inner Back	1
24	D454 3355	Film:Guide:Upper	1
25	D454 7126	Decal:Motor:Pressure Release	1
26	D454 7127	Decal:Motor:Jogger	1

Index No.	Part No.	Description	Q'ty Per Assembly
101	0454 3006Q	Tapping Screw - M3x6	
102	0451 3006N	Tapping Screw - 3x6	
103	0805 0089	Retaining Ring - M4	
104	0720 0040E	Retaining Ring - M4	
105	0741 3506	Ball Bearing - 6x12x4 mm	
106	0720 0060E	Retaining Ring - M6	

10.Fold Unit 4 (D454)

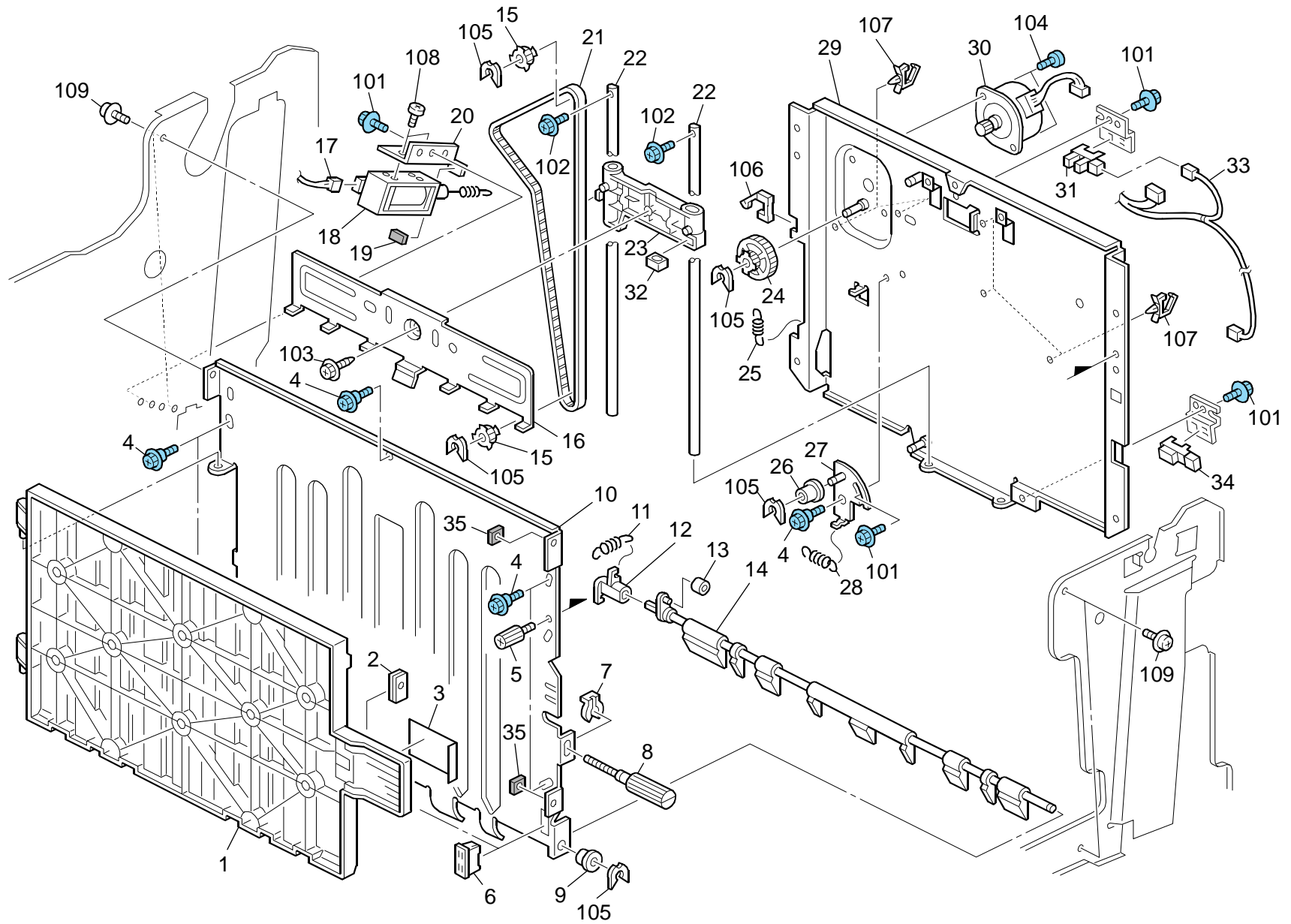


10.Fold Unit 4 (D454)

Index No.	Part No.	Description	Q'ty Per Assembly
1	D454 3317	Timing Belt:60S3M513	2
2	B352 1607	Timing Pulley - T20-S3M	2
3	AB03 0808	Timing Pulley - 20T	2
4	D454 3318	Shaft:Drive Sub-unit:Transport Roller:Move	1
5	D454 3321	Guide Plate:Drive Sub-unit:Transport Roller	1
6	D454 3371	Slide Rail:L=269	2
7	D454 5258	Harness:Sensor:Pull Out:Move:Sensor	1
8	AW02 0141	Photointerruptor	1
9	B700 1645	Timing Pulley:20T	1
10	D454 3336	Stay:Timing Belt	2
11	D454 3340	Base:Transport Roller:Move:Peen	1
12	B223 1317	Screw	4
13	D454 3335	Transport Roller:Move	1
14	D454 3349	Roller:DIA15:Press Fit	2
15	D454 3334	Gear:Pulley:Transport Roller:Move	1
16	D454 3521	Spacer:DIA36	1
17	D454 3333	Gear:Transport Roller:Move	1

Index No.	Part No.	Description	Q'ty Per Assembly
101	0454 3006Q	Tapping Screw - M3x6	
102	0451 3006N	Tapping Screw - 3x6	
103	0802 5305	Tapping Screw - M3x6	
104	0741 3506	Ball Bearing - 6x12x4 mm	
105	0805 0089	Retaining Ring - M4	
106	0720 0040E	Retaining Ring - M4	

11.Fold Unit 5 (D454)

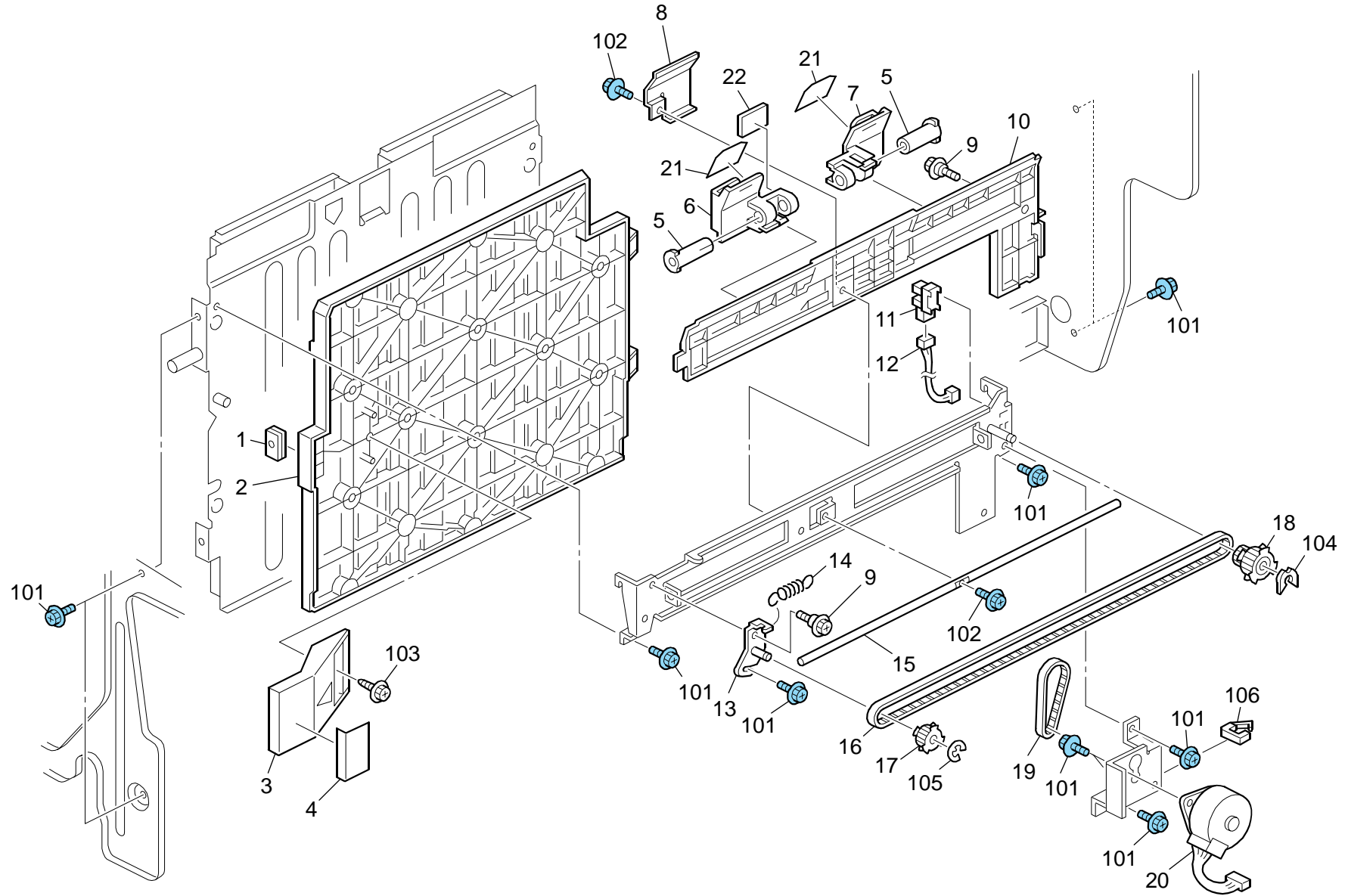


11.Fold Unit 5 (D454)

Index No.	Part No.	Description	Q'ty Per Assembly
1	D454 3741	Guide Plate:No.2	1
2	AG07 0514	Magnet Catch	1
3	D454 7115	Decal:Guide Plate:N15	1
4	D454 3619	Screw:Contact Point:M3	6
5	G104 5141	Knob Screw:M3	1
6	AG07 0515	Magnet Catch:13N	2
7	5447 2681	Snap Ring	1
8	D454 3614	Knob Screw:M3	1
9	AA08 0072	Bushing - 6x10x3	1
10	D454 3711	Guide Plate:No.2	1
11	D454 3921	Tension Spring:Gate Pawl	1
12	D454 3732	Arm:Guide:Leading Edge:Plate	1
13	A458 2251	Cushion - Bin Solenoid Lever	1
14	D454 3731	Guide:Leading Edge:Plate	1
15	D454 3637	Timing Pulley:T20	2
16	D454 3724	Stopper:Paper Crimp:No.2	1
17	D454 5316	Harness:Solenoid:Pull Out:Leading Edge: Gate Pawl	1
18	D454 3911	DC Solenoid:Guide:Leading Edge	1
19	D454 3914	Cushion:Solenoid	1
20	D454 3913	Bracket:Solenoid	1
21	D454 3725	Timing Belt:40S2M586	1
22	D454 3723	Shaft:Stopper:No.2	2
23	D454 3626	Slider:Stopper	1
24	B700 4855	Gear Pulley:71Z/20T	1
25	D454 3613	Tension Spring:Stopper:7N	1
26	D454 3634	Tightener:DIA10	1
27	D454 3631	Bracket:Tightener:Paper Crimp	1
28	D454 3635	Tension Spring:5N	1
29	D454 3721	Base:Stopper:No.2	1
30	B700 5804	Stepper Motor:DIA42:Z17:Ass'y	1
31	AW02 0141	Photointerruptor	1
32	D454 3643	Bushing:Slider:Stopper	1
33	D454 5256	Harness:Sensor:Pull Out:Stopper:No.2	1
34	GW01 0007	Photo Reflection Sensor:Exit	1

Index No.	Part No.	Description	Q'ty Per Assembly
35	D454 3712	Cushion:Guide Plate:No.2	2
101	0454 3006Q	Tapping Screw - M3x6	
102	0454 3008Q	Tapping Screw:3x8	
103	0450 3008N	Tapping Screw - M3x8	
104	0802 5305	Tapping Screw - M3x6	
105	0805 0089	Retaining Ring - M4	
106	1105 0522	Edge Saddle - LES0510	
107	1105 0623	Clamp - LBWS-0206S-V0	
108	0353 0040N	Screw - M3x4	
109	0951 3006N	Screw - M3x6	

12.Fold Unit 6 (D454)

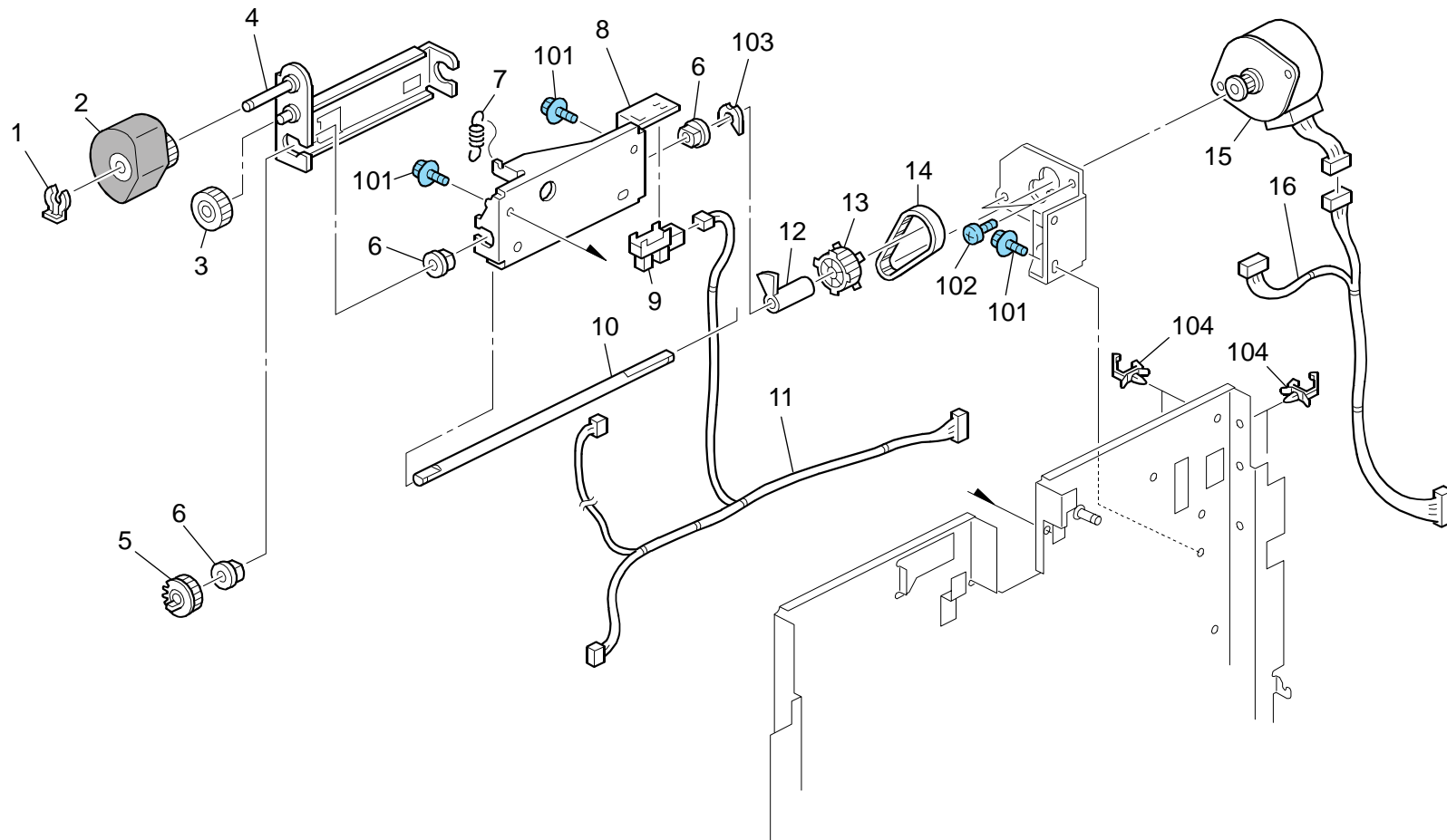


12.Fold Unit 6 (D454)

Index No.	Part No.	Description	Q'ty Per Assembly
1	AG07 0514	Magnet Catch	1
2	D454 3641	Guide Plate:No.1	1
3	B700 4877	Grip:Guide Plate	1
4	D454 7112	Decal:Guide Plate:N12	1
5	A681 4515	Bushing - 6mm	2
6	D454 3672	Jogger Fence:Front	1
7	D454 3691	Jogger Fence:Inner Back	1
8	D454 3679	Guide Plate:Jogger:Middle	1
9	AA14 3790	Screw:Contact Point	2
10	D454 3694	Guide Plate:Jogger:Slide	1
11	AW02 0141	Photointerruptor	1
12	D454 5250	Harness:Sensor:Pull Out:Jogger:Sensor	1
13	D454 3685	Bracket:Jogger:Tensioner	1
14	B700 1501	Tension Spring - Pressure	1
15	D454 3697	Shaft:Guide:Jogger	1
16	D454 3698	Timing Belt:40S2M726	1
17	D454 3689	Timing Pulley:Jogger:T23	1
18	D454 3688	Timing Pulley:T35:T23	1
19	B700 1802	Timing Belt:B40S2M134	1
20	B700 5805	Stepper Motor:Pm:S2m:T15:Ass'y	1
21	D454 3699	Guide:Jogger Fence	2
22	D454 3673	Pad:Sensor	1

Index No.	Part No.	Description	Q'ty Per Assembly
101	0454 3006Q	Tapping Screw - M3x6	
102	0454 3008Q	Tapping Screw:3x8	
103	0450 3008N	Tapping Screw - M3x8	
104	0805 0089	Retaining Ring - M4	
105	0720 0040E	Retaining Ring - M4	
106	1105 0522	Edge Saddle - LES0510	

13.Fold Unit 7 (D454)

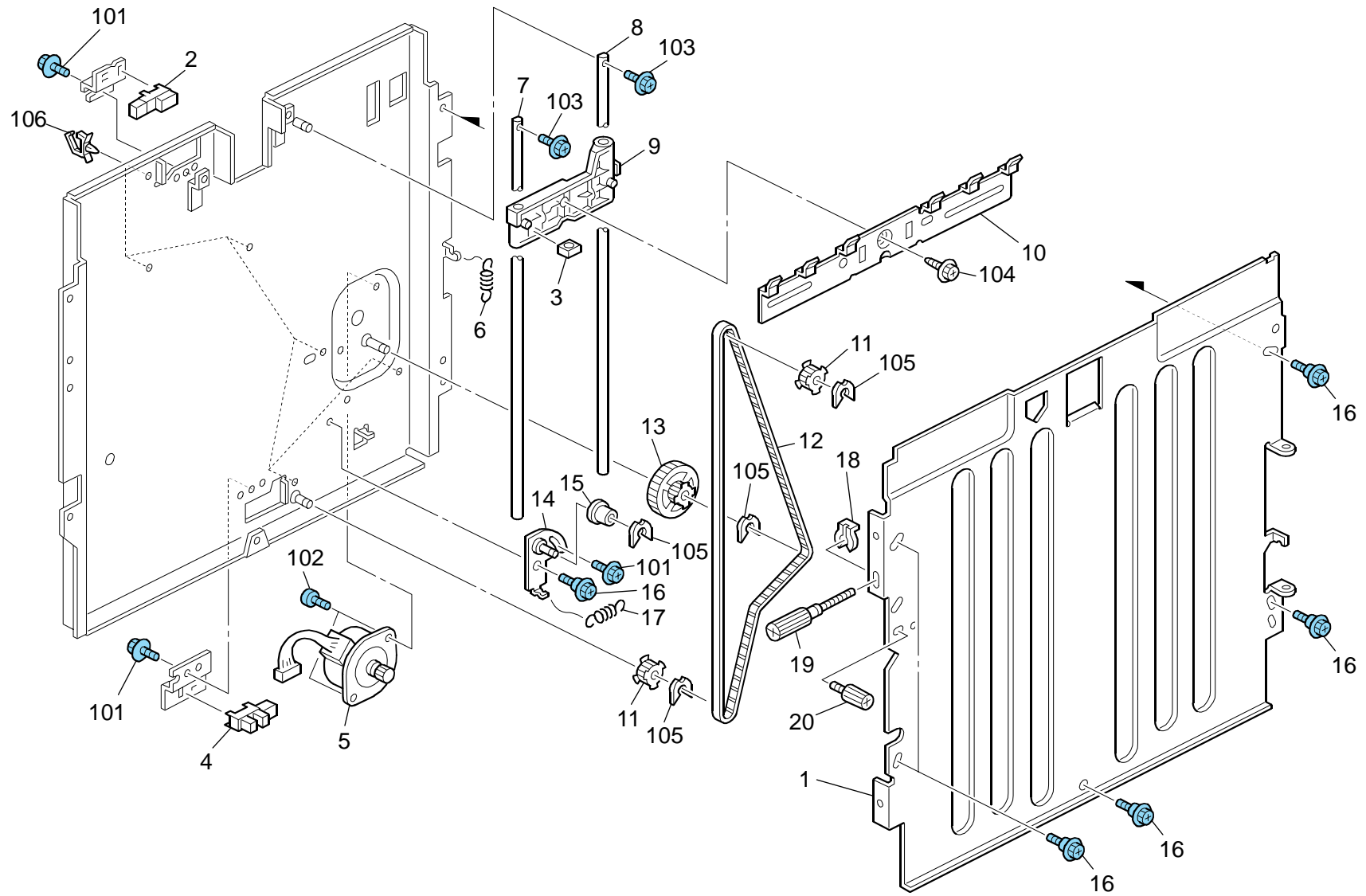


13.Fold Unit 7 (D454)

Index No.	Part No.	Description	Q'ty Per Assembly
1	5447 2681	Snap Ring	1
2	D454 3661	Gathering Roller	1
3	D454 3669	Gear:Gathering Roller:Middle	1
4	D454 3665	Arm:Gathering Roller	1
5	D454 3658	Gear:Gathering Roller	1
6	AA08 2101	Bushing - 6x10x6	3
7	D454 3659	Tension Spring:Gathering Roller	1
8	D454 3653	Base:Gathering Roller	1
9	AW02 0141	Photointerruptor	1
10	D454 3654	Shaft:Gathering Roller	1
11	D454 5248	Harness:Sensor:Pull Out:Gathering Roller	1
12	D454 3657	Feeler:Gathering Roller	1
13	AB03 0763	Pulley - 30Z	1
14	AA04 3604	Timing Belt:B40S2M110	1
15	B700 5805	Stepper Motor:PM:S2M:T15:Ass'y	1
16	D454 5298	Harness:Motor:Pull Out:Gathering Roller	1

Index No.	Part No.	Description	Q'ty Per Assembly
101	0454 3006Q	Tapping Screw - M3x6	
102	0802 5305	Tapping Screw - M3x6	
103	0805 0089	Retaining Ring - M4	
104	1105 0623	Clamp - LBWS-0206S-V0	

14.Fold Unit 8 (D454)

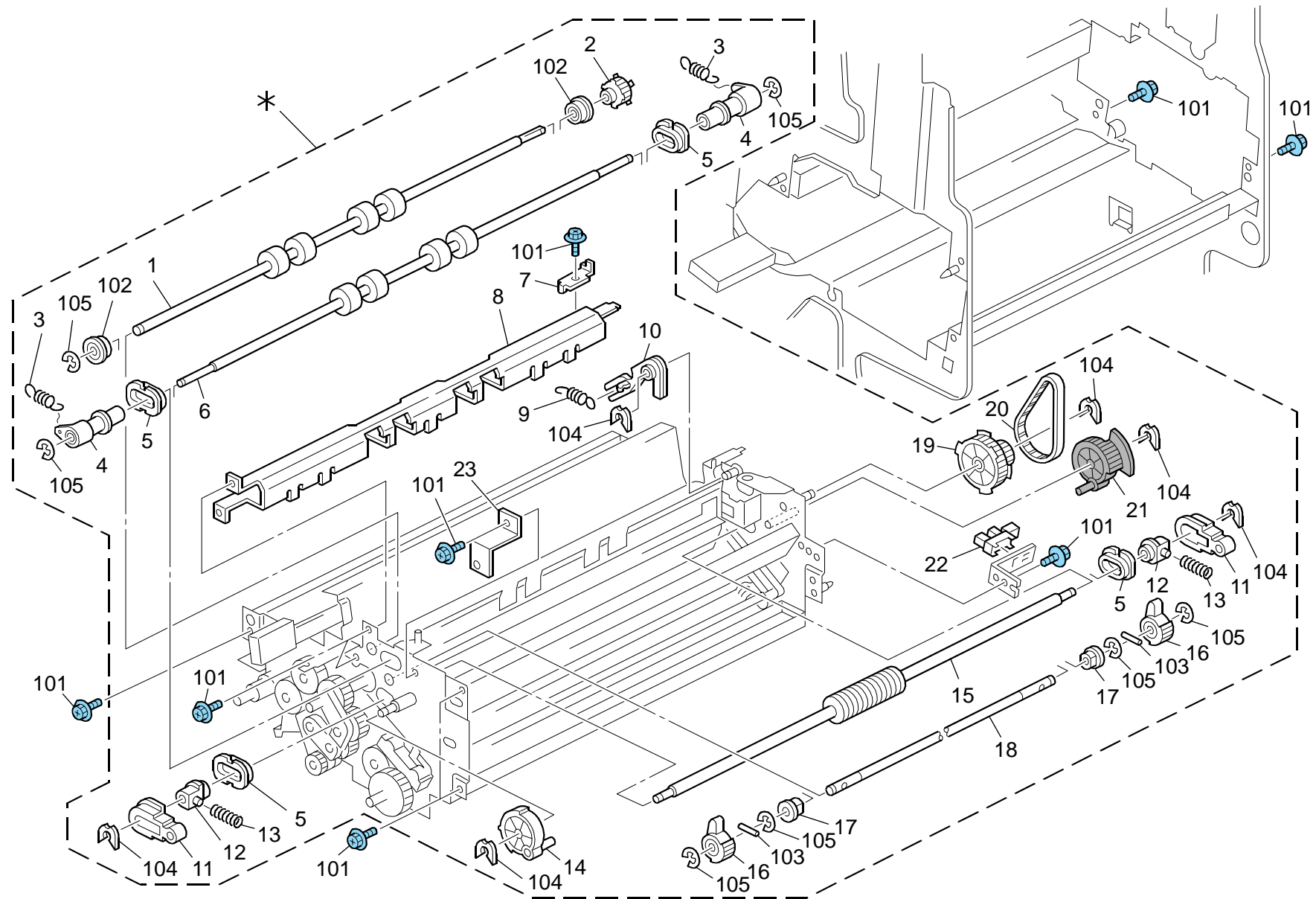


14.Fold Unit 8 (D454)

Index No.	Part No.	Description	Q'ty Per Assembly
1	D454 3615	Guide Plate:No.1	1
2	GW01 0007	Photo Reflection Sensor:Exit	1
3	D454 3643	Bushing:Slider:Stopper	1
4	AW02 0141	Photointerruptor	1
5	B700 5804	Stepper Motor:DIA42:Z17:Ass'y	1
6	D454 3613	Tension Spring:Stopper:7N	1
7	D454 3627	Shaft:Stopper:No.1:Front	1
8	D454 3628	Shaft:Stopper:No.1:Inner Back	1
9	D454 3626	Slider:Stopper	1
10	D454 3629	Stopper:Paper Crimp	1
11	D454 3637	Timing Pulley:T20	2
12	D454 3636	Timing Belt:40S2M672	1
13	B700 4855	Gear Pulley:71Z/20T	1
14	D454 3631	Bracket:Tightener:Paper Crimp	1
15	D454 3634	Tightener:DIA10	1
16	D454 3619	Screw:Contact Point:M3	6
17	D454 3635	Tension Spring:5N	1
18	5447 2681	Snap Ring	1
19	D454 3614	Knob Screw:M3	1
20	G104 5141	Knob Screw:M3	1

Index No.	Part No.	Description	Q'ty Per Assembly
101	0454 3006Q	Tapping Screw - M3x6	
102	0802 5305	Tapping Screw - M3x6	
103	0454 3008Q	Tapping Screw:3x8	
104	0450 3008N	Tapping Screw - M3x8	
105	0805 0089	Retaining Ring - M4	
106	1105 0623	Clamp - LBWS-0206S-V0	

15.Fold Unit 9 (D454)

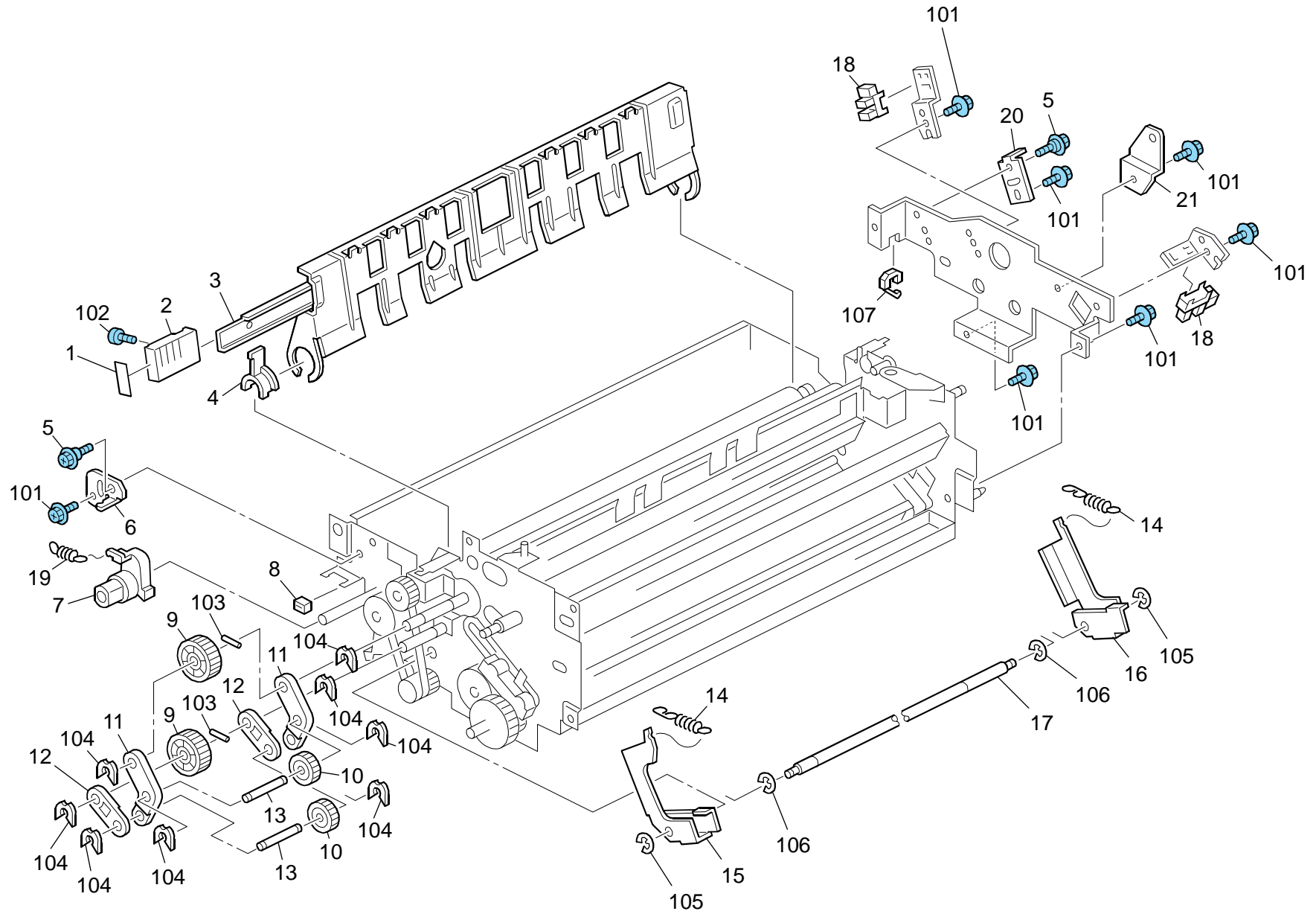


15.Fold Unit 9 (D454)

Index No.	Part No.	Description	Q'ty Per Assembly
*	D454 4105	Paper Crimp Sub-unit:No.1:Ass'y	1
1	D454 4312	Transport Roller:Registration	1
2	B352 1607	Timing Pulley - T20-S3M	1
3	D454 4316	Tension Spring:Registration Roller:Pressure	1
4	D454 4314	Slider:Driven Roller:Registration:Ass'y	2
5	D454 4293	Bushing:Driven Roller	4
6	D454 4315	Driven Roller:Registration	1
7	D454 4318	Bracket:Stopper:Shutter	1
8	D454 4317	Guide Plate:Registration	1
9	D454 4229	Tension Spring:3.5N	1
10	D454 4228	Lever:Shutter	1
11	D454 4333	Link:Transport Roller:Release	2
12	D454 4334	Slider:Driven Roller:Paper Crimp:Ass'y	2
13	D454 4339	Compression Spring:Transport:Pressure	2
14	D454 4332	Gear:Cam:Front:Z40	1
15	D454 4261	Driven Roller:Paper Crimp	1
16	D454 4337	Gear:Cam:Release	2
17	AA08 2101	Bushing - 6x10x6	2
18	D454 4336	Shaft:Cam:Release	1
19	D454 4338	Gear:Idler:T42/Z25	1
20	B652 1673	Timing Belt:B40S3M180	1
21	D454 4331	Gear:Cam:Rear:Z40	1
22	AW02 0141	Photointerruptor	1
23	D454 4297	Bracket:Stud:Pressure Release:Support	1

Index No.	Part No.	Description	Q'ty Per Assembly
101	0454 3006Q	Tapping Screw - M3x6	
102	0741 3506	Ball Bearing - 6x12x4 mm	
103	0633 0140G	Parallel Pin - 3x14	
104	0805 0089	Retaining Ring - M4	
105	0720 0040E	Retaining Ring - M4	

16.Fold Unit 10 (D454)

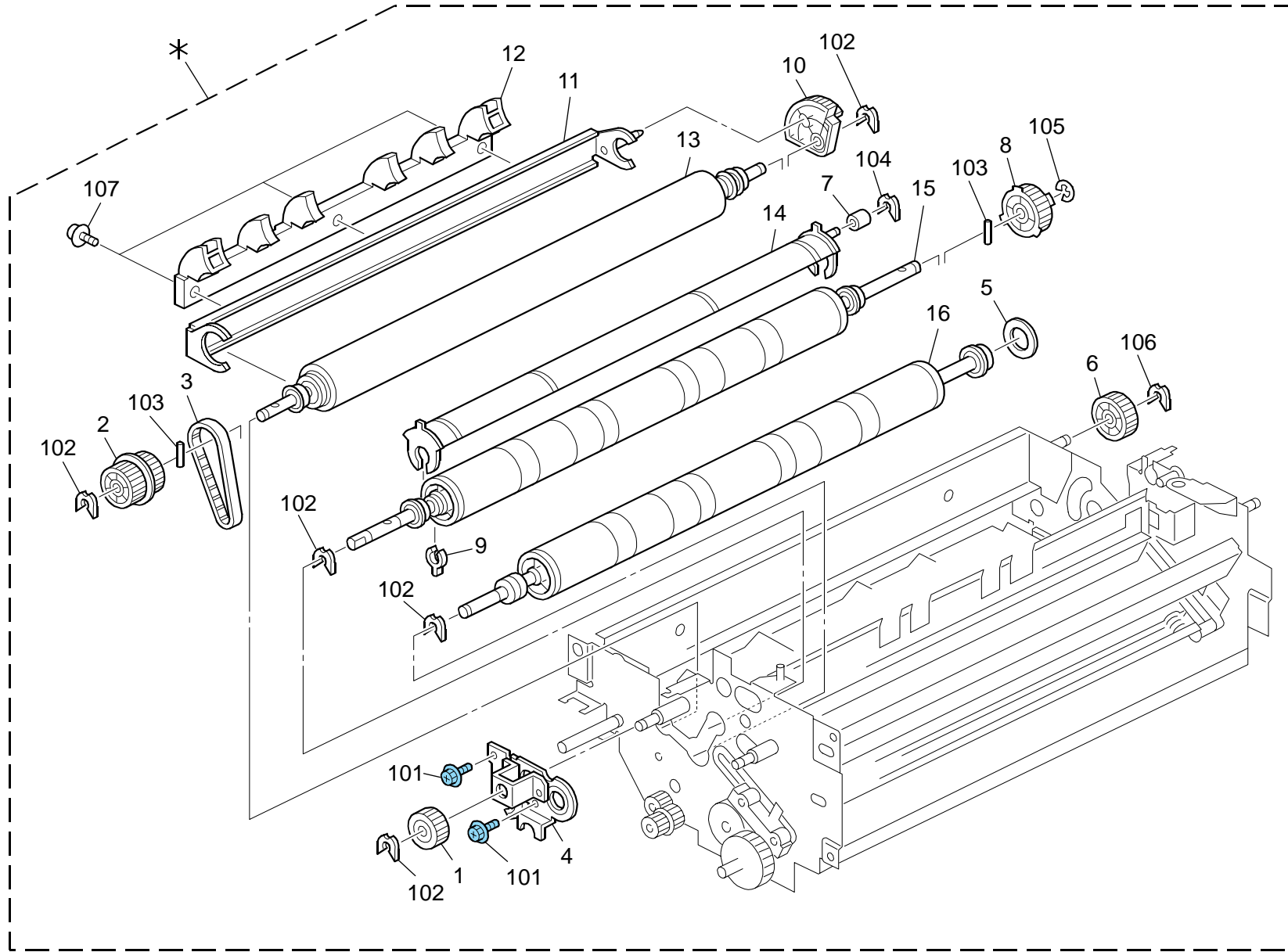


16.Fold Unit 10 (D454)

Index No.	Part No.	Description	Q'ty Per Assembly
1	D454 7114	Decal:Lever:N14	1
2	D454 4254	Grip:Guide Plate	1
3	D454 4251	Guide Plate:No.2:Entrance	1
4	D454 4243	Stopper:Guide Plate:Open And Close	1
5	B830 1135	Screw	2
6	D454 4355	Bracket:Tension Spring:Roller:Front	1
7	D454 4353	Cam:Paper Crimp:Pressure Release	1
8	A697 2102	Damper - Junction Gate Solenoid	1
9	D454 4186	Gear:Roller:Z22	2
10	D454 4187	Gear:Coupling:Roller:Z18	2
11	D454 4183	Link:Roller:Drive:Ass'y	2
12	D454 4184	Link:Roller:Driven:Ass'y	2
13	D454 4182	Shaft:Gear:Roller:Coupling	2
14	D454 4362	Tension Spring:Pressure:Roller:No.1	2
15	D454 4366	Bracket:Tensioner:Paper Crimp:Front	1
16	D454 4367	Bracket:Tensioner:Paper Crimp:Rear	1
17	D454 4354	Shaft:Paper Crimp:Pressure Release	1
18	AW02 0141	Photointerruptor	2
19	D454 4359	Tension Spring:Pressure Release:Return	1
20	D454 4356	Bracket:Tension Spring:Roller:Rear	1
21	D454 4296	Bracket:Stud:Support	1

Index No.	Part No.	Description	Q'ty Per Assembly
101	0454 3006Q	Tapping Screw - M3x6	
102	0802 5305	Tapping Screw - M3x6	
103	0633 0140G	Parallel Pin - 3x14	
104	0805 0088	Retaining Ring - M6	
105	0720 0040E	Retaining Ring - M4	
106	0720 0060E	Retaining Ring - M6	
107	1105 0692	Clamp:LES-0503	

17.Fold Unit 11 (D454)

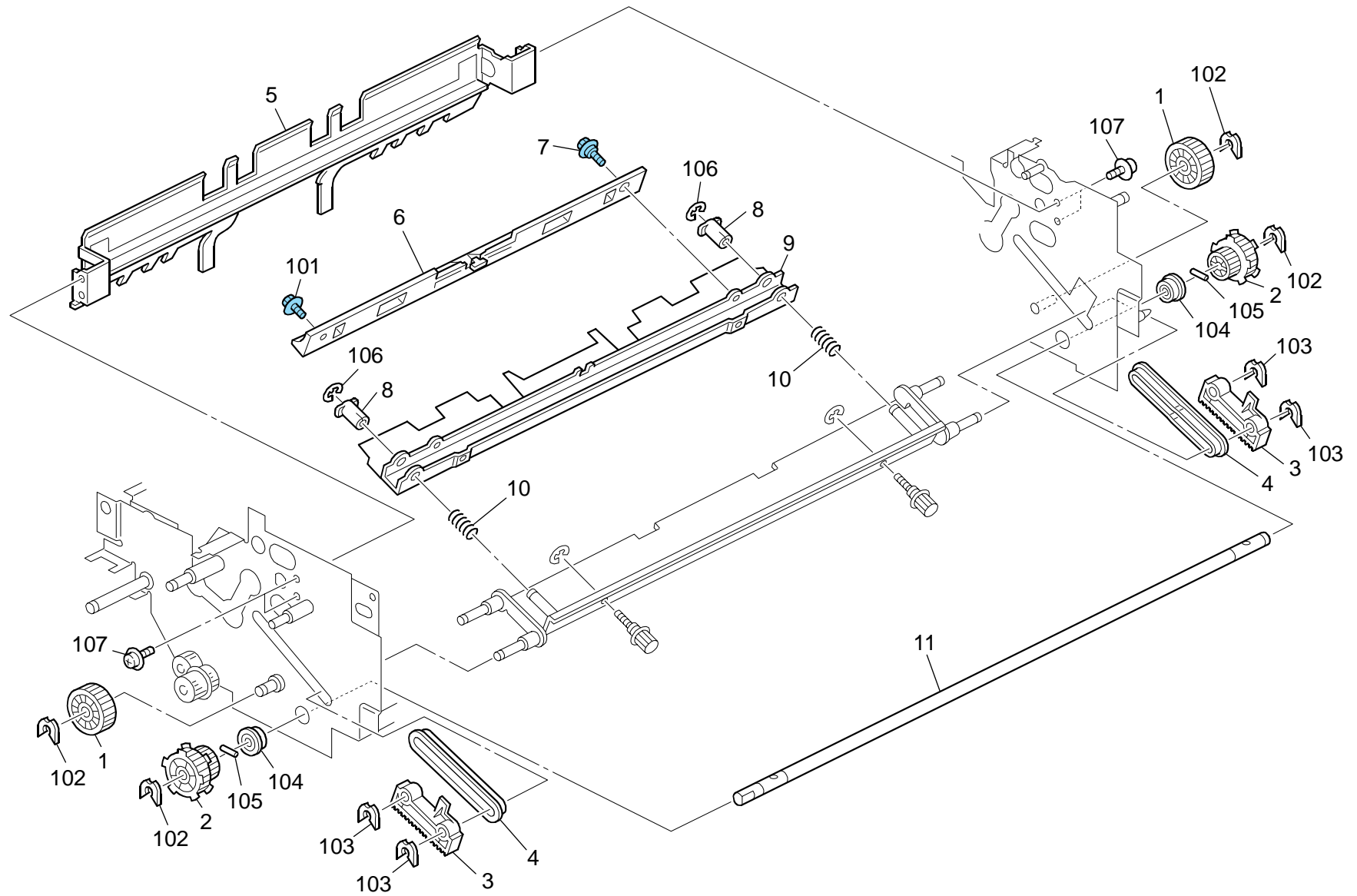


17.Fold Unit 11 (D454)

Index No.	Part No.	Description	Q'ty Per Assembly
*	D454 4105	Paper Crimp Sub-unit:No.1:Ass'y	1
1	D454 4372	Gear:Roller:Drive:Idler	1
2	D454 4245	Gear:Pulley:Z22/T32	1
3	D454 4361	Synchronous Belt:60S3M195	1
4	D454 4264	Plate:Bearing:Roller	1
5	D454 4232	Spacer:Roller:No.2	1
6	D454 4159	Gear:Z27	1
7	D454 4227	Roller:DIA6	1
8	D454 4212	Timing Pulley:S3M:T35	1
9	D454 4213	Stopper:Shutter:Roller	1
10	D454 4244	Gear:Link:Rear:Z68	1
11	D454 4256	Bracket:Exchange Pawl:Middle Upper	1
12	D454 4259	Exchange Pawl:Middle Upper	1
13	D454 4241	Roller:No.3:Ass'y	1
14	D454 4221	Shutter:Ass'y	1
15	D454 4211	Roller:No.1:Ass'y	1
16	D454 4231	Roller:No.2:Ass'y	1

Index No.	Part No.	Description	Q'ty Per Assembly
101	0454 3006Q	Tapping Screw - M3x6	
102	0805 0088	Retaining Ring - M6	
103	0633 0140G	Parallel Pin - 3x14	
104	0805 0092	Retaining Ring - 3M	
105	0720 0060E	Retaining Ring - M6	
106	0805 0089	Retaining Ring - M4	
107	0951 3006N	Screw - M3x6	

18.Fold Unit 12 (D454)

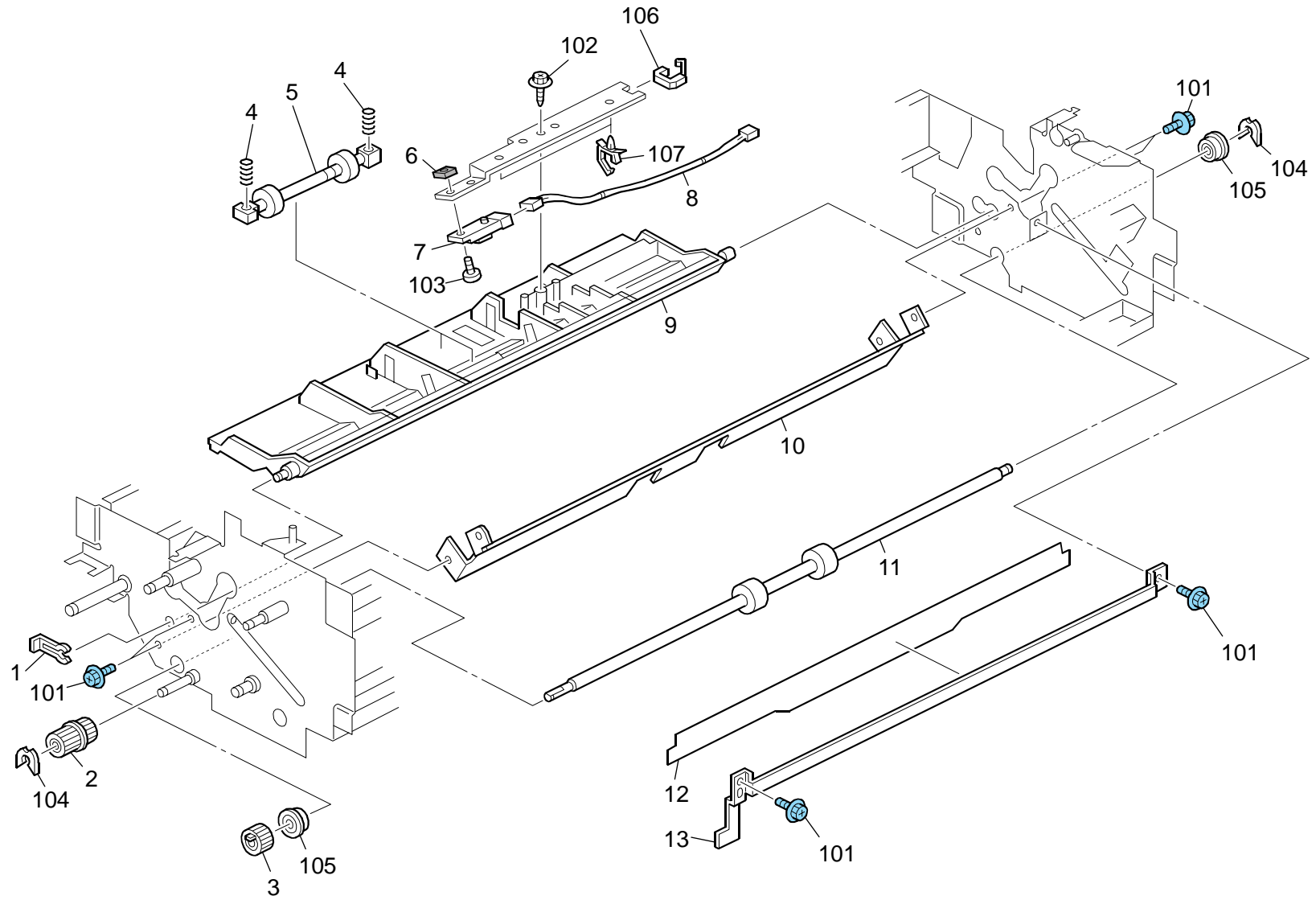


18.Fold Unit 12 (D454)

Index No.	Part No.	Description	Q'ty Per Assembly
1	D454 4152	Gear:Blade:Press Fit	2
2	D454 4153	Pulley:Gear:Blade	2
3	D454 4147	Rack:Blade	2
4	D454 4111	Slider:Blade	2
5	D454 4321	Guide Plate:Connecting:Right	1
6	D454 4145	Guide:Blade	1
7	B830 1135	Screw	1
8	D454 4144	Bushing:Blade	2
9	D454 4141	Blade:Paper Crimp Sub-unit	1
10	D454 4146	Compression Spring:8.5N	2
11	D454 4151	Shaft:Drive:Blade	1

Index No.	Part No.	Description	Q'ty Per Assembly
101	0454 3006Q	Tapping Screw - M3x6	
102	0805 0088	Retaining Ring - M6	
103	0805 0089	Retaining Ring - M4	
104	0741 3708	Ball Bearing - 8x12x3.5mm	
105	0633 0140G	Parallel Pin - 3x14	
106	0720 0040E	Retaining Ring - M4	
107	0951 3006N	Screw - M3x6	

19.Fold Unit 13 (D454)

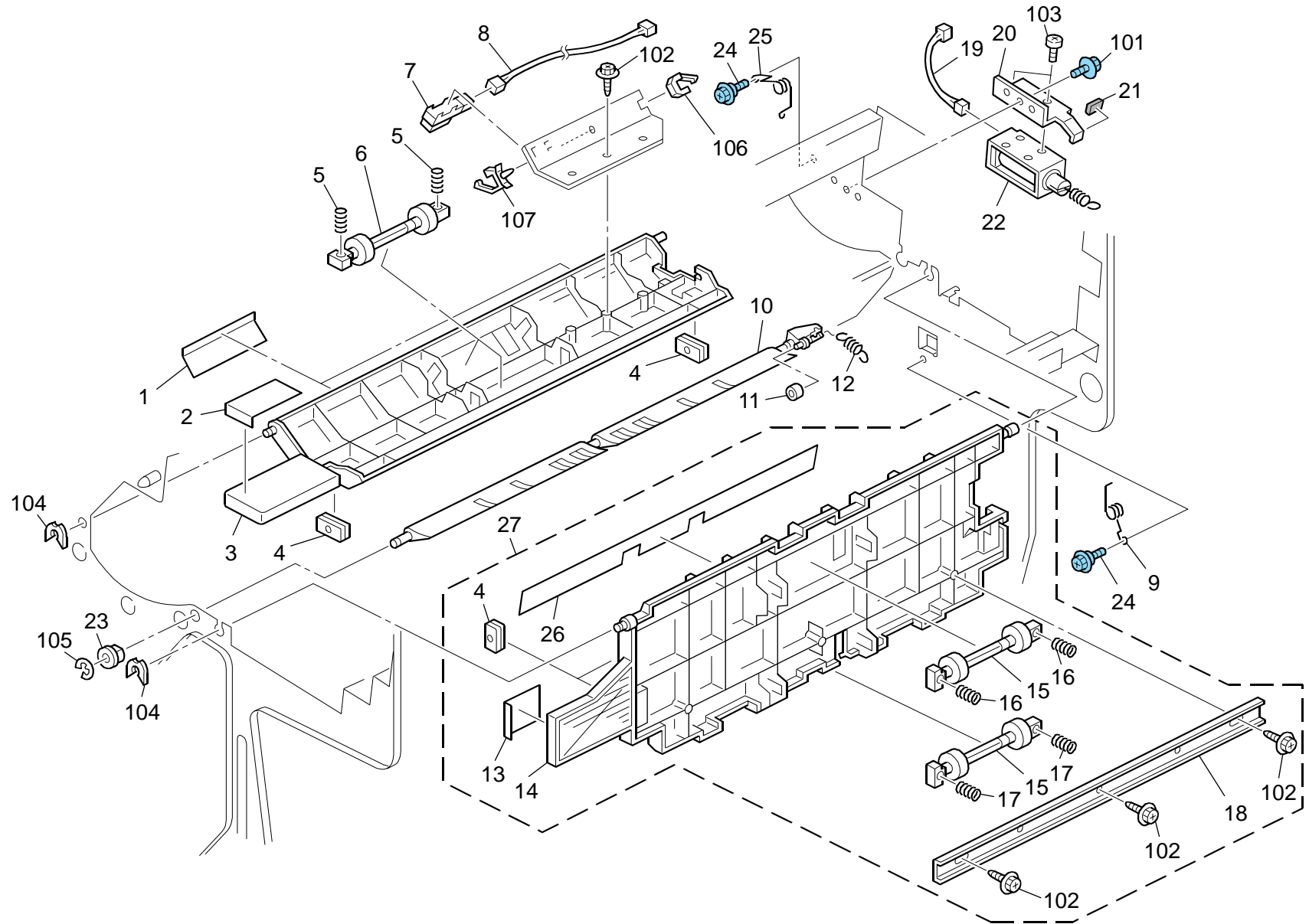


19.Fold Unit 13 (D454)

Index No.	Part No.	Description	Q'ty Per Assembly
1	C101 2360	Snap Ring	1
2	D454 4194	Gear:Idler:Transport:Paper Crimp:Ass'y	1
3	D454 4193	Gear:Transport Roller:Paper Crimp:Lower	1
4	D454 2436	Compression Spring:Driven:2.0N	4
5	AF02 2177	Roller:Driven:DIA20	2
6	D454 6223	Cushion:Cover:Behind:Upper Right	1
7	AW01 0124	Photo Refiection Sensor:GP2A200LCS0F	1
8	D454 5332	Harness:Sensor:Pull Out:By-pass:Front	1
9	D454 4199	Guide Plate:Middle:Gate	1
10	D454 4191	Guide Plate:Paper Crimp:No.1:Lower	1
11	D454 4192	Transport Roller:Paper Crimp:No.1:Lower	1
12	D454 4219	Sheet:Guide:No.1	1
13	D454 4218	Guide Plate:No.1:Entrance	1

Index No.	Part No.	Description	Q'ty Per Assembly
101	0454 3006Q	Tapping Screw - M3x6	
102	0450 3008N	Tapping Screw - M3x8	
103	0353 0080N	Screw:M3x8	
104	0805 0089	Retaining Ring - M4	
105	0741 3506	Ball Bearing - 6x12x4 mm	
106	1105 0692	Clamp:LES-0503	
107	1105 0623	Clamp - LBWS-0206S-V0	

20.Fold Unit 14 (D454)

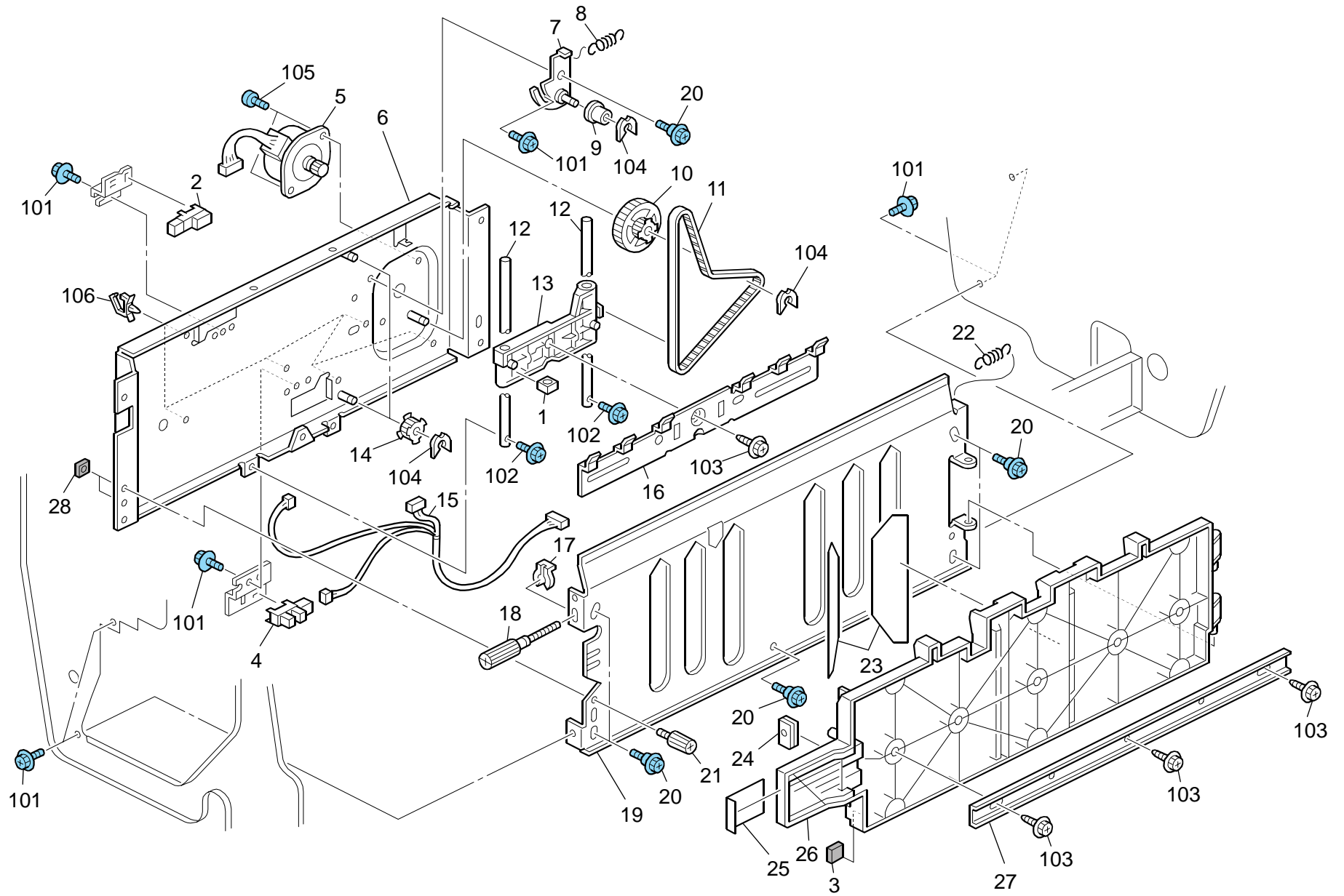


20.Fold Unit 14 (D454)

Index No.	Part No.	Description	Q'ty Per Assembly
1	D454 4673	Sheet:Guide Plate:Middle:Exit	2
2	D454 7121	Decal:Guide Plate:N21	1
3	D454 4672	Guide Plate:Middle:Exit	1
4	AG07 0514	Magnet Catch	4
5	D454 2436	Compression Spring:Driven:2.0N	4
6	AF02 2177	Roller:Driven:DIA20	2
7	GW01 0007	Photo Reflection Sensor:Exit	1
8	D454 5334	Harness:Sensor:Pull Out:By-pass:Rear	1
9	D454 4667	Torsion Spring:Guide Plate	1
10	D454 4621	Gate Pawl:Middle	1
11	A458 2251	Cushion - Bin Solenoid Lever	1
12	D454 3921	Tension Spring:Gate Pawl	1
13	D454 7117	Decal:Guide Plate:N17	1
14	D454 4674	Guide Plate:Left Lower:Entrance: Open And Close	1
15	AF02 2147	Driven Roller	2
16	D454 4659	Compression Spring:Driven:5.0N	2
17	D454 4652	Compression Spring:Driven:8.0N	2
18	D454 4657	Supporting Plate:Left Lower:Entrance: Open And Close	1
19	D454 5294	Harness:Solenoid:Pull Out:Crimp2	1
20	D454 3913	Bracket:Solenoid	1
21	D454 3914	Cushion:Solenoid	1
22	D454 4625	DC Solenoid:Gate Pawl:Middle:Ass'y	1
23	AA08 2101	Bushing - 6x10x6	1
24	B830 1135	Screw	2
25	D454 4685	Torsion Spring:Guide Plate:Middle:Auxiliary	1
26	D454 4675	Sheet:Plate:Roller	1
27	D454 4656	Guide Plate:Left Lower:Entrance: Open And Close:Ass'y	1

Index No.	Part No.	Description	Q'ty Per Assembly
101	0454 3006Q	Tapping Screw - M3x6	
102	0450 3008N	Tapping Screw - M3x8	
103	0353 0040N	Screw - M3x4	
104	0805 0089	Retaining Ring - M4	
105	0720 0040E	Retaining Ring - M4	
106	1105 0692	Clamp:LES-0503	
107	1105 0623	Clamp - LBWS-0206S-V0	

21.Fold Unit 15 (D454)

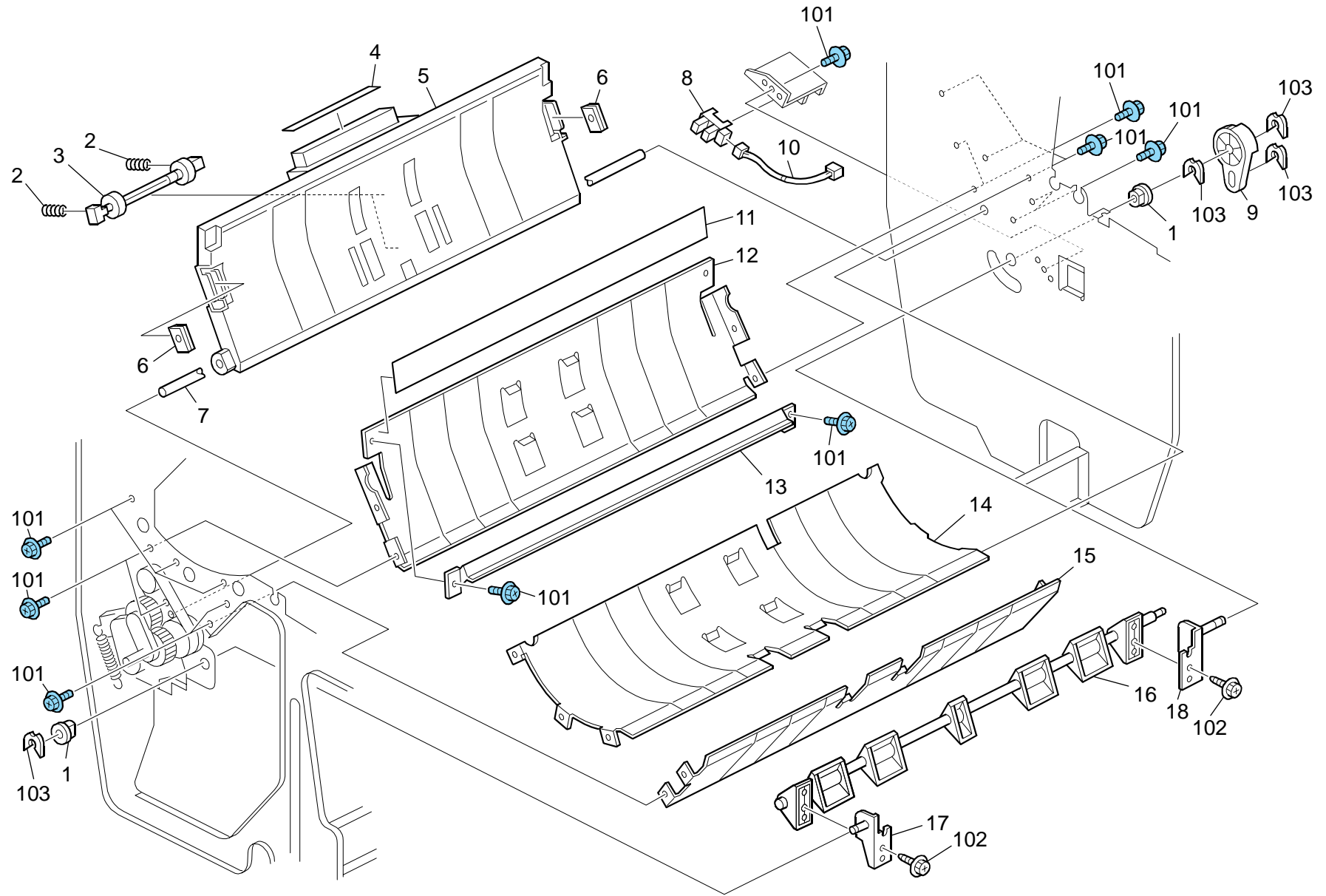


21.Fold Unit 15 (D454)

Index No.	Part No.	Description	Q'ty Per Assembly
1	D454 3643	Bushing:Slider:Stopper	1
2	GW01 0007	Photo Reflection Sensor:Exit	1
3	D454 3843	Cushion:Stopper:No.3	1
4	AW02 0141	Photointerruptor	1
5	B700 5804	Stepper Motor:DIA42:Z17:Ass'y	1
6	D454 3821	Base:Stopper:No.3:Welding	1
7	D454 3631	Bracket:Tightener:Paper Crimp	1
8	D454 3635	Tension Spring:5N	1
9	D454 3634	Tightener:DIA10	1
10	B700 4855	Gear Pulley:71Z/20T	1
11	D454 3824	Timing Belt:40S2M354	1
12	D454 3823	Shaft:Stopper:No.3	2
13	D454 3626	Slider:Stopper	1
14	D454 3637	Timing Pulley:T20	2
15	D454 5260	Harness:Sensor:Pull Out:Stopper:No.3	1
16	D454 3629	Stopper:Paper Crimp	1
17	5447 2681	Snap Ring	1
18	D454 3614	Knob Screw:M3	1
19	D454 3811	Guide Plate:No.3	1
20	D454 3619	Screw>Contact Point:M3	6
21	G104 5141	Knob Screw:M3	1
22	D454 3613	Tension Spring:Stopper:7n	1
23	D454 3842	Guide:Left Lower	2
24	AG07 0514	Magnet Catch	1
25	D454 7118	Decal:Guide Plate:N18	1
26	D454 3841	Guide Plate:No.3	1
27	D454 4657	Supporting Plate:Left Lower:Entrance: Open And Close	1
28	D454 6223	Cushion:Cover:Behind:Upper Right	2

Index No.	Part No.	Description	Q'ty Per Assembly
101	0454 3006Q	Tapping Screw - M3x6	
102	0454 3008Q	Tapping Screw:3x8	
103	0450 3008N	Tapping Screw - M3x8	
104	0805 0089	Retaining Ring - M4	
105	0802 5305	Tapping Screw - M3x6	
106	1105 0623	Clamp - LBWS-0206S-V0	

22.Fold Unit 16 (D454)

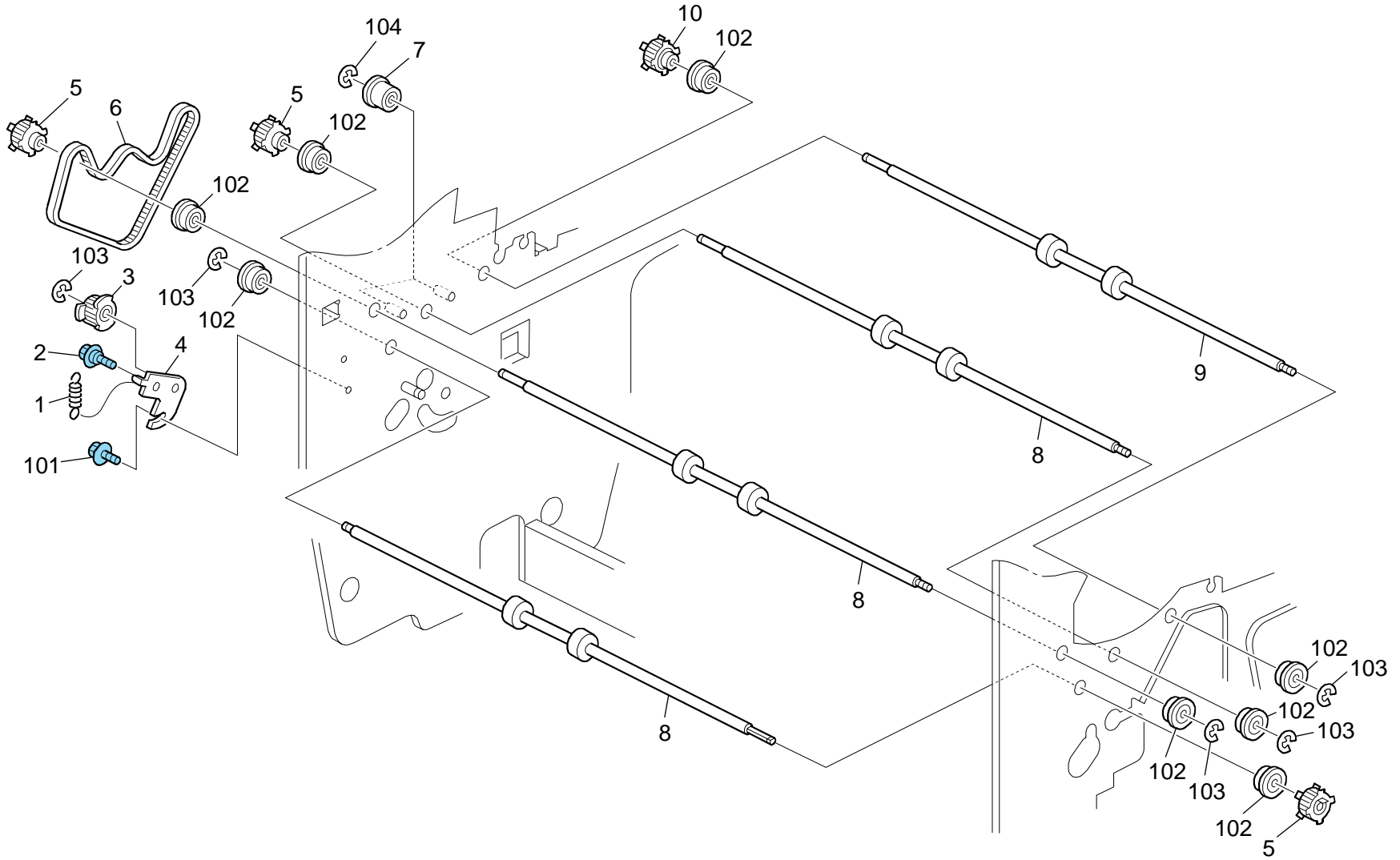


22.Fold Unit 16 (D454)

Index No.	Part No.	Description	Q'ty Per Assembly
1	AA08 2101	Bushing - 6x10x6	2
2	D454 2436	Compression Spring:Driven:2.0N	4
3	AF02 2177	Roller:Driven:Dia20	2
4	D454 7120	Decal:Guide Plate:N20	1
5	D454 4662	Guide Plate:Left Lower:Exit	1
6	AG07 0514	Magnet Catch	2
7	D454 4663	Shaft:Guide Plate:Entrance	1
8	AW02 0141	Photointerruptor	1
9	D454 4717	Cam:Guide:Paper Crimp Sub-unit:No.2:Rear	1
10	D454 5262	Harness:Sensor:Pull Out:Sensor	1
11	D454 4647	Sheet:Guide Plate:Auxiliary	1
12	D454 4646	Guide Plate:Middle:Lower:Exit	1
13	D454 4648	Guide Plate:Middle:Exit:Auxiliary	1
14	D454 4651	Guide Plate:Transport:Middle	1
15	D454 4641	Guide Plate:Middle:Lower:Entrance	1
16	D454 4710	Guide:Paper Crimp Sub-unit:No.2	1
17	D454 4711	Bracket:Paper Crimp Unit:No.2:Front	1
18	D454 4714	Bracket:Paper Crimp Unit:No.2:Rear	1

Index No.	Part No.	Description	Q'ty Per Assembly
101	0454 3006Q	Tapping Screw - M3x6	
102	0450 3008N	Tapping Screw - M3x8	
103	0805 0089	Retaining Ring - M4	

23.Fold Unit 17 (D454)

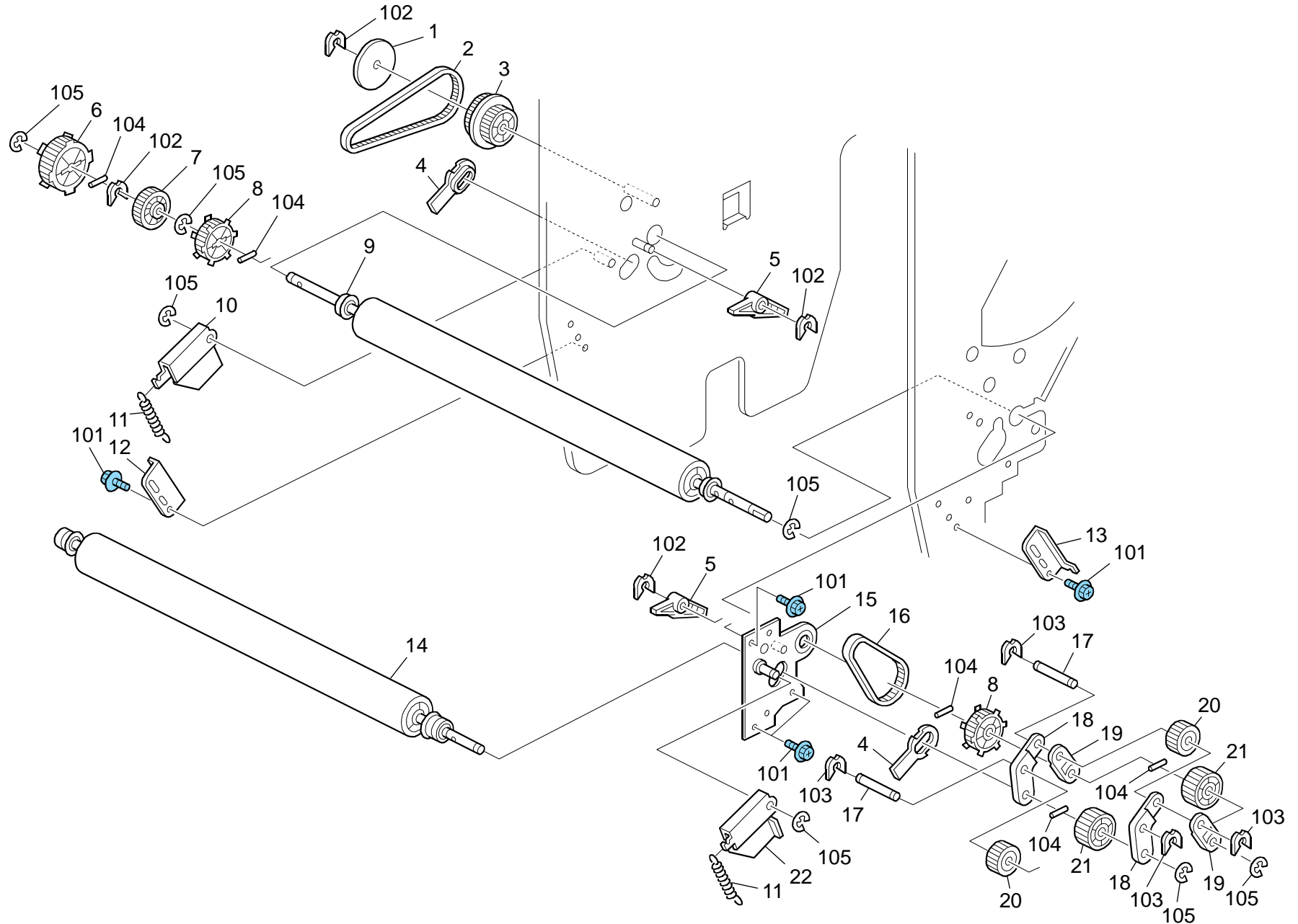


23.Fold Unit 17 (D454)

Index No.	Part No.	Description	Q'ty Per Assembly
1	D454 2614	Tension Spring:Tensioner:Horizontal	1
2	B830 1135	Screw	1
3	B302 1542	Timing Pulley - 20Z	1
4	D454 2632	Bracket:Tensioner	1
5	B352 1607	Timing Pulley - T20-S3M	3
6	D454 4682	Timing Belt:60S3M405	1
7	D454 2838	Pulley:Idler:DIA19:Press Fit	1
8	D454 2101	Transport Roller:Horizontal:DIA20	3
9	D454 4612	Transport Roller:Middle:DIA23	1
10	D454 4611	Timing Pulley:S3M:T23	1

Index No.	Part No.	Description	Q'ty Per Assembly
101	0454 3006Q	Tapping Screw - M3x6	
102	0741 3506	Ball Bearing - 6x12x4 mm	
103	0720 0040E	Retaining Ring - M4	
104	0720 0060E	Retaining Ring - M6	

24.Fold Unit 18 (D454)

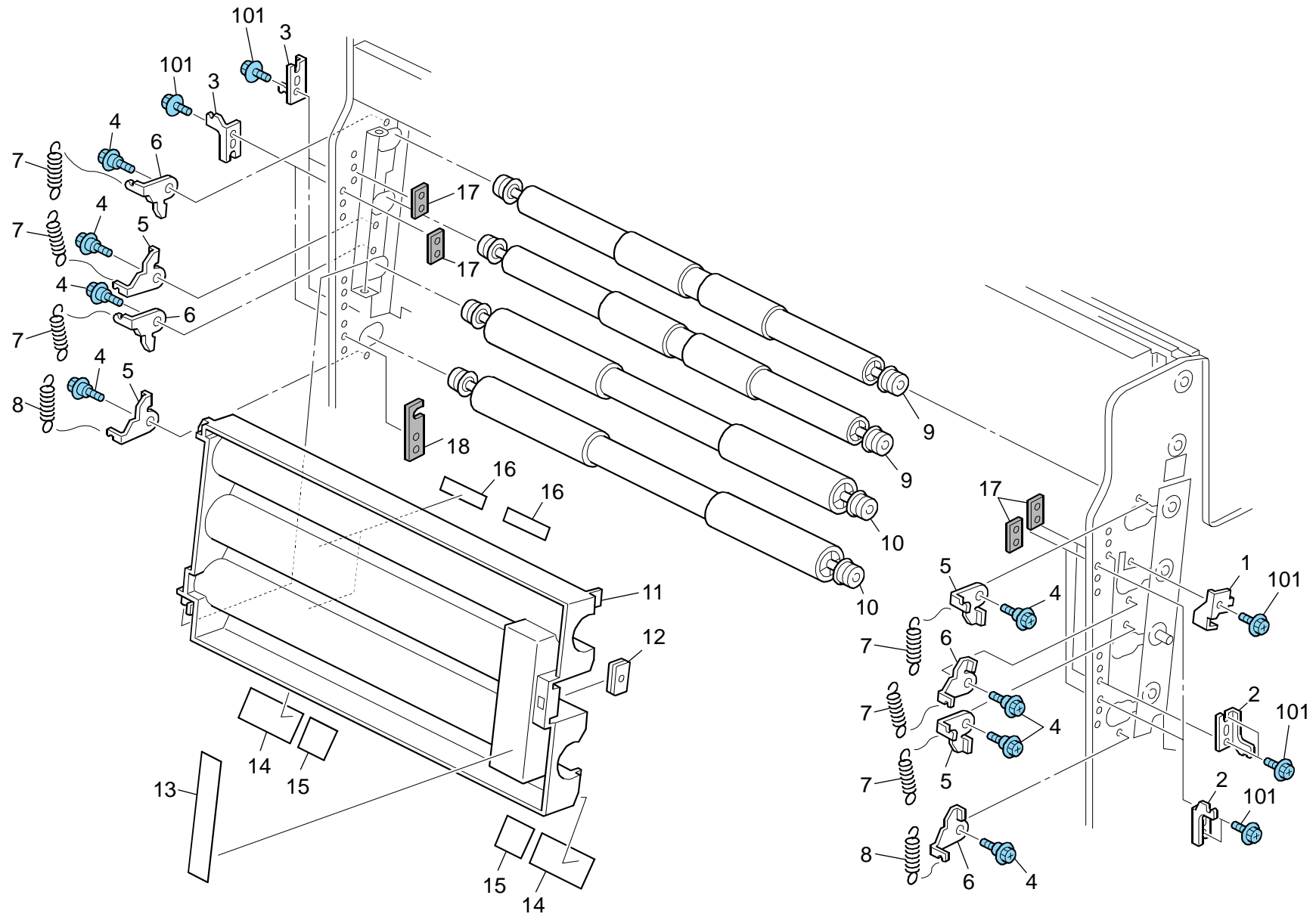


24.Fold Unit 18 (D454)

Index No.	Part No.	Description	Q'ty Per Assembly
1	D454 4757	Ring:Timing Pulley:DIA41.5	1
2	D454 4749	Timing Belt:40S3M270	1
3	D454 4752	Gear:Z27:T40	1
4	D454 3140	Slider:Roller:No.5	1
5	D454 4664	Lever:Pressure Release	2
6	D454 4512	Timing Pulley:S3M:T45	1
7	D454 4754	Gear:Idler:Z27	1
8	D454 4683	Timing Pulley:S3M:T32	2
9	D454 4531	Roller:No.4:Ass'y	1
10	D454 4562	Bracket:Tensioner:Paper Crimp:No.2:Rear	1
11	D454 4554	Tension Spring:Roller:No.2:9N	2
12	D454 4561	Hook:Tensioner:Paper Crimp Sub-unit: No.2:Rear	1
13	D454 4551	Hook:Tensioner:Paper Crimp Sub-unit: No.2:Front	1
14	D454 4532	Roller:No.5:Ass'y	1
15	D454 4541	Bracket:Paper Crimp:No.2:Front	1
16	AA04 3656	Timing Belt - 60S3M177	1
17	D454 4182	Shaft:Gear:Roller:Coupling	2
18	D454 4183	Link:Roller:Drive:Ass'y	1
19	D454 4184	Link:Roller:Driven:Ass'y	2
20	D454 4187	Gear:Coupling:Roller:Z18	2
21	D454 4186	Gear:Roller:Z22	2
22	D454 4552	Bracket:Tensioner:Paper Crimp:No.2:Front	1

Index No.	Part No.	Description	Q'ty Per Assembly
101	0454 3006Q	Tapping Screw - M3x6	
102	0805 0089	Retaining Ring - M4	
103	0805 0088	Retaining Ring - M6	
104	0633 0140G	Parallel Pin - 3x14	
105	0720 0060E	Retaining Ring - M6	

25.Fold Unit 19 (D454)

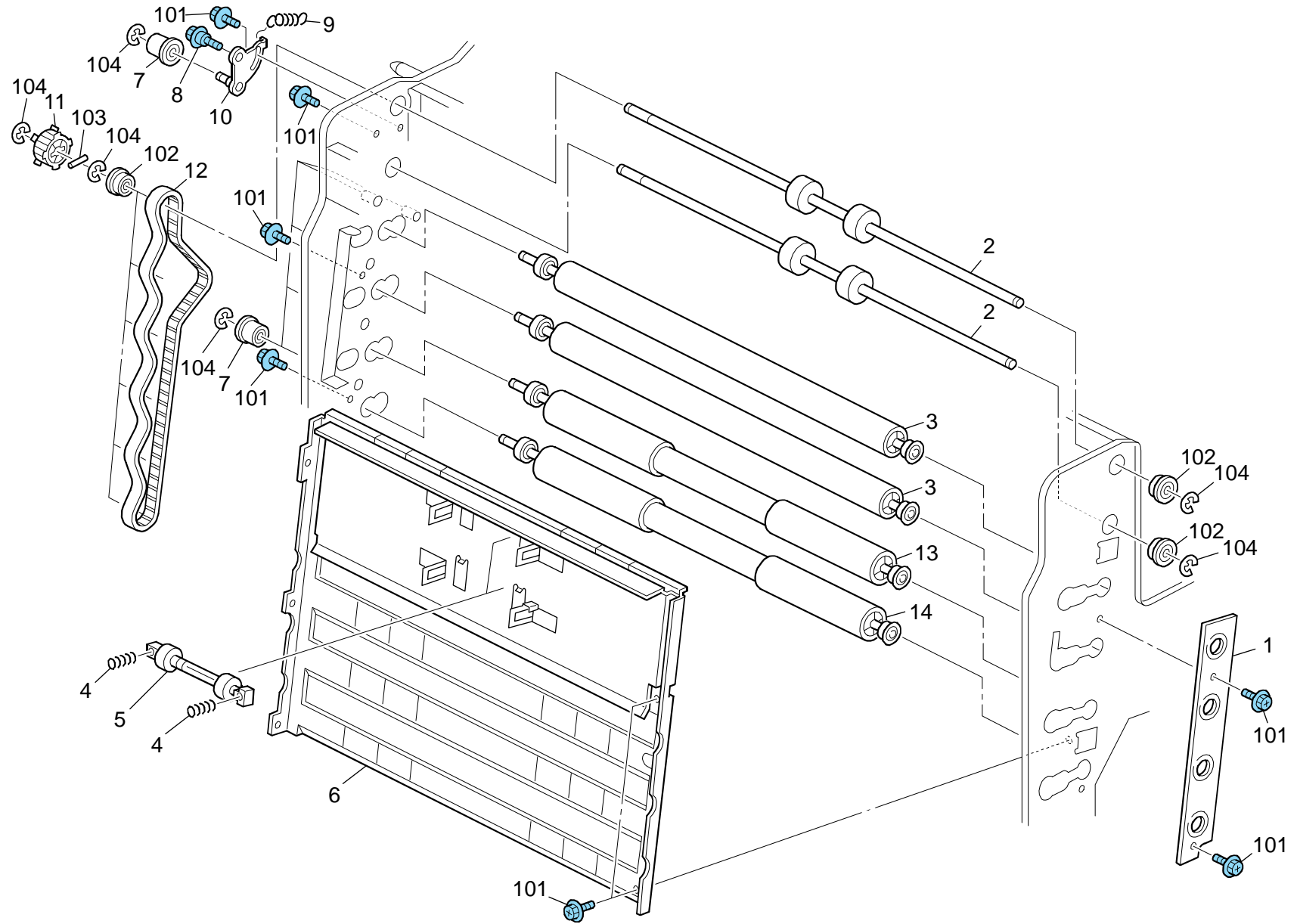


25.Fold Unit 19 (D454)

Index No.	Part No.	Description	Q'ty Per Assembly
1	D454 4991	Bracket:Magnetic:Left Upper	1
2	D454 4876	Hook:Tensioner:Pressure Roller:Front	4
3	D454 4883	Hook:Tensioner:Pressure Roller:Rear	4
4	B830 1135	Screw	8
5	D454 4878	Tensioner:Pressure Roller:Driven:B	4
6	D454 4880	Tensioner:Pressure Roller:Driven:A	4
7	D454 4885	Tension Spring:Pressure Roller:12.5N	6
8	D454 4884	Tension Spring:Pressure Roller:7.3N	2
9	D454 4855	Pressure Roller:Driven:No.1	2
10	D454 4864	Pressure Roller:Driven:No.2	2
11	D454 4899	Guide Plate:Left Upper:Lengthwise: Open And Close	1
12	AG07 0514	Magnet Catch	1
13	D454 7122	Decal:Guide Plate:N22	1
14	D454 4897	Sheet:Transport:Pressure Sub-unit:Large	2
15	D454 4898	Sheet:Transport:Pressure Sub-unit:Small	2
16	D454 4901	Sheet:Transport:Pressure Sub-unit:Upper	2
17	D454 3123	Cushion:Side Plate:Pull Out:Front	6
18	D454 3124	Cushion:Side Plate:Pull Out:Rear	1

Index No.	Part No.	Description	Q'ty Per Assembly
101	0454 3006Q	Tapping Screw - M3x6	

26.Fold Unit 20 (D454)

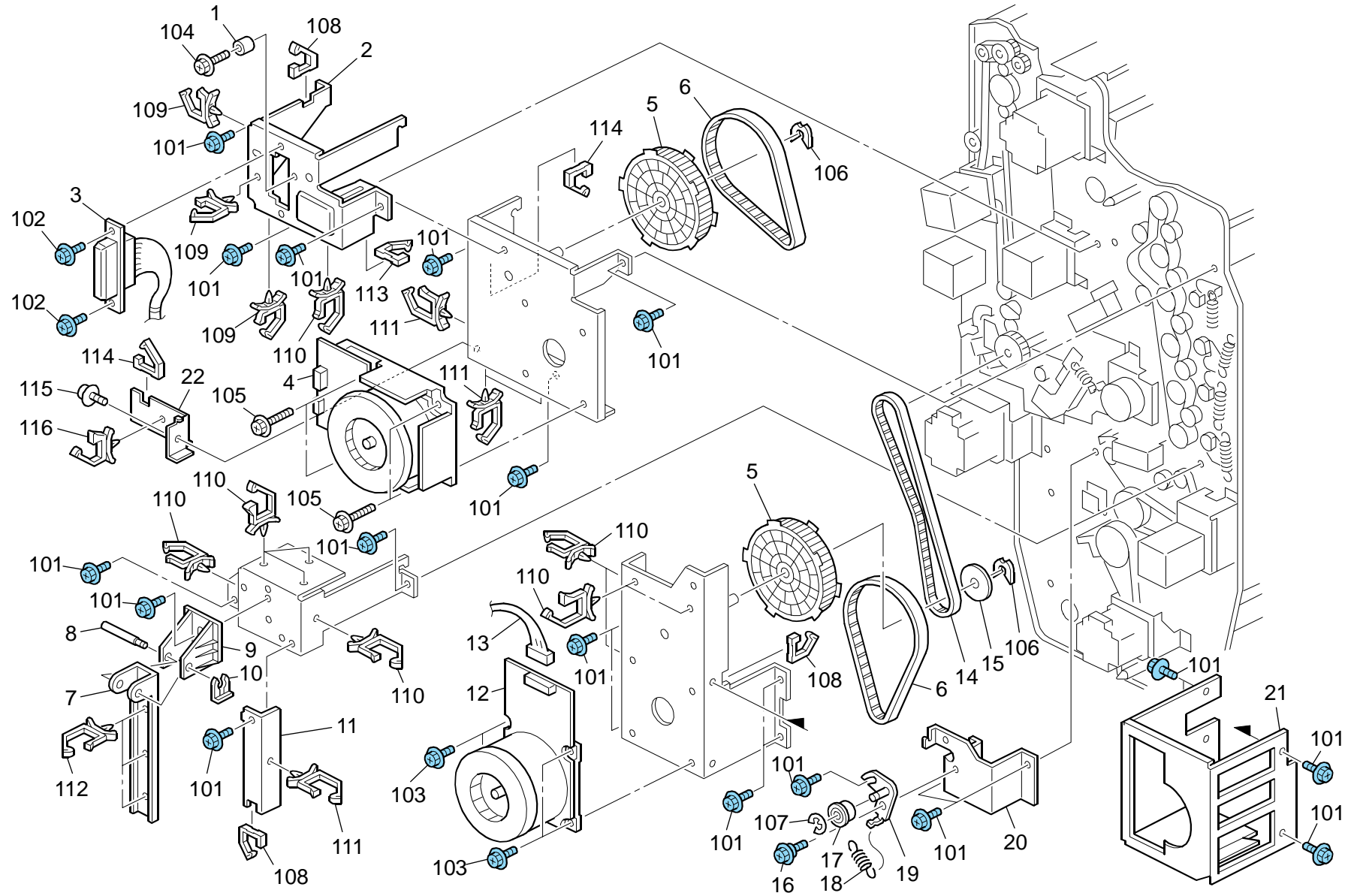


26.Fold Unit 20 (D454)

Index No.	Part No.	Description	Q'ty Per Assembly
1	D454 4861	Plate:Radial Ball Bearing:Pressure Roller	1
2	D454 4872	Transport Roller:Pressure Sub-unit	2
3	D454 4852	Pressure Roller:Drive	2
4	D454 2436	Compression Spring:Driven:2.0N	4
5	AF02 2147	Driven Roller	2
6	D454 4893	Guide Plate:Left Upper:Ass'y	1
7	D454 2838	Pulley:Idler:DIA19:Press Fit	6
8	B830 1135	Screw	1
9	A294 1756	Spring - Scanner Motor	1
10	D454 2831	Tensioner:Fold	1
11	D454 4820	Timing Pulley:S3M:T28	6
12	D454 4821	Timing Belt:100S3M633	1
13	D454 4862	Pressure Roller:Drive:Long	1
14	D454 4863	Pressure Roller:Drive:Lower	1

Index No.	Part No.	Description	Q'ty Per Assembly
101	0454 3006Q	Tapping Screw - M3x6	
102	0742 3808	Ball Bearing - 8x16x5	
103	0633 0140G	Parallel Pin - 3x14	
104	0720 0060E	Retaining Ring - M6	

27.Fold Unit 21 (D454)

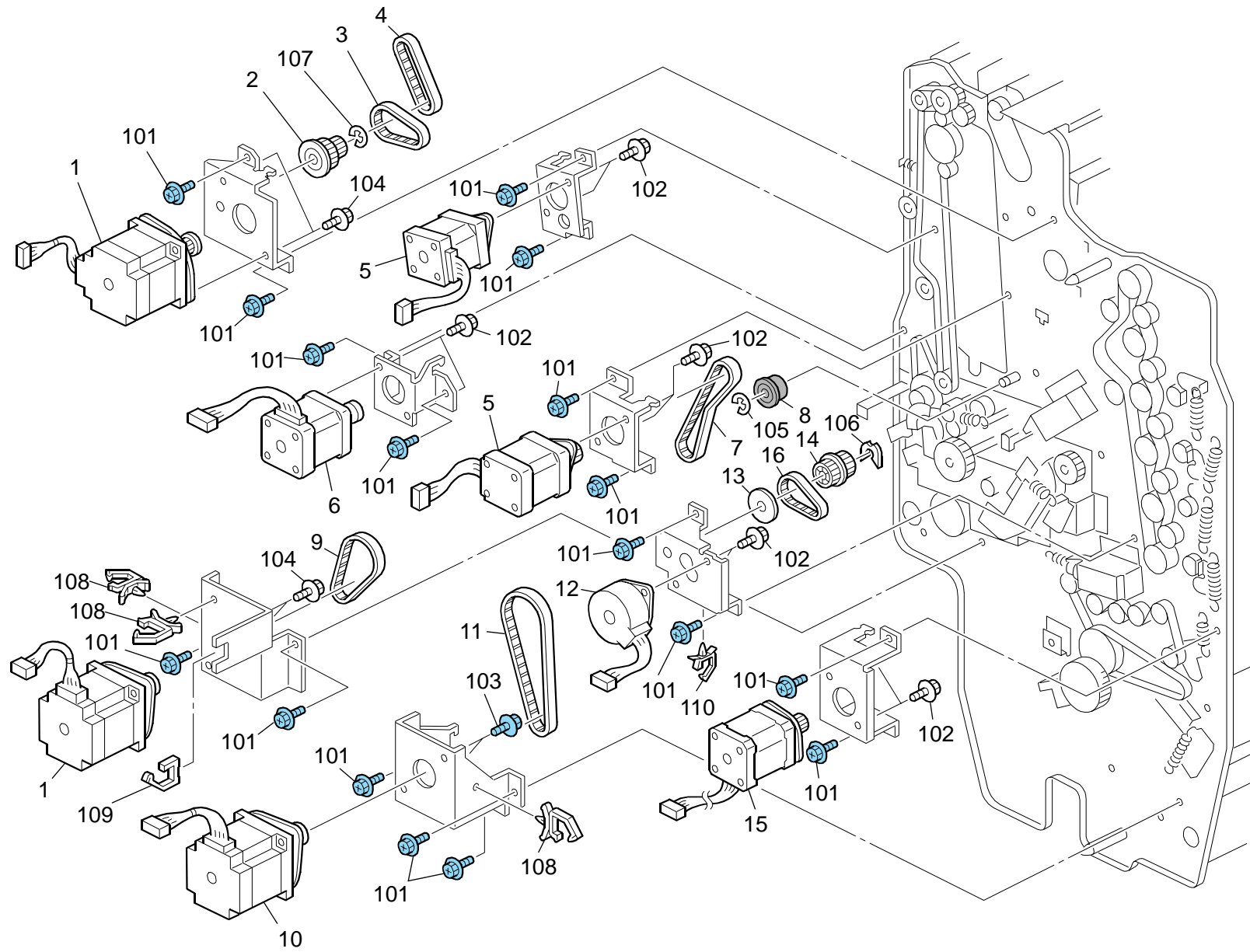


27.Fold Unit 21 (D454)

Index No.	Part No.	Description	Q'ty Per Assembly
1	H519 4902	Stand 20mm	1
2	D454 3211	Bracket:Connector:Paper Crimp Sub-unit	1
3	D454 5245	Harness:Sensor:Drawer:Pull Out:Sub-ass'y	1
4	D454 5832	DC Brushless Motor:DC24V:86.6W:Ass'y	1
5	D454 4416	Timing Pulley:S3M:T99:T35	2
6	D454 4415	Timing Belt:100S3M357	2
7	B700 4522	Arm:Harness:Stapler Unit	1
8	B700 4523	Pin:Fix:Arm	1
9	B700 4521	Holder:Arm:Harness	1
10	5206 2686	Snap Ring	1
11	D454 3223	Bracket:Fix:Harness	1
12	D454 5820	DC Motor:DIA85:DC24V:72.2W	1
13	D454 5307	Harness:Motor:Pull Out:Crimp 1	1
14	D434 4777	Timing Belt:60S3M459	1
15	D454 4417	Ring:Timing Pulley:DIA37	1
16	B830 1135	Screw	1
17	A458 3281	Idler Roller	1
18	D454 2614	Tension Spring:Tensioner:Horizontal	1
19	D454 2612	Bracket:Tensioner	1
20	D454 4421	Bracket:Tensioner:No.1	1
21	D454 4419	Cover:DC Motor:No.1	1
22	D454 1472	Bracket:Fix:Harness	1

Index No.	Part No.	Description	Q'ty Per Assembly
101	0454 3006Q	Tapping Screw - M3x6	
102	0454 3008Q	Tapping Screw:3x8	
103	0454 4008Q	Tapping Screw - M4x8	
104	0451 3010N	Tapping Screw:3x10	
105	0451 3012N	Tapping Screw:3x12	
106	0805 0088	Retaining Ring - M6	
107	0720 0060E	Retaining Ring - M6	
108	1105 0522	Edge Saddle - LES0510	
109	1105 0516	Clamp	
110	1105 0488	Harness Clamp	
111	1105 0517	Harness Clamp - LWS-2111Z	
112	1105 0490	Harness Clamp - IWS-2218	
113	1105 0518	Edge Saddle - LES-1010	
114	1105 0692	Clamp:LES-0503	
115	0451 3006N	Tapping Screw - 3x6	
116	1105 0623	Clamp - LBWS-0206S-V0	

28.Fold Unit 22 (D454)

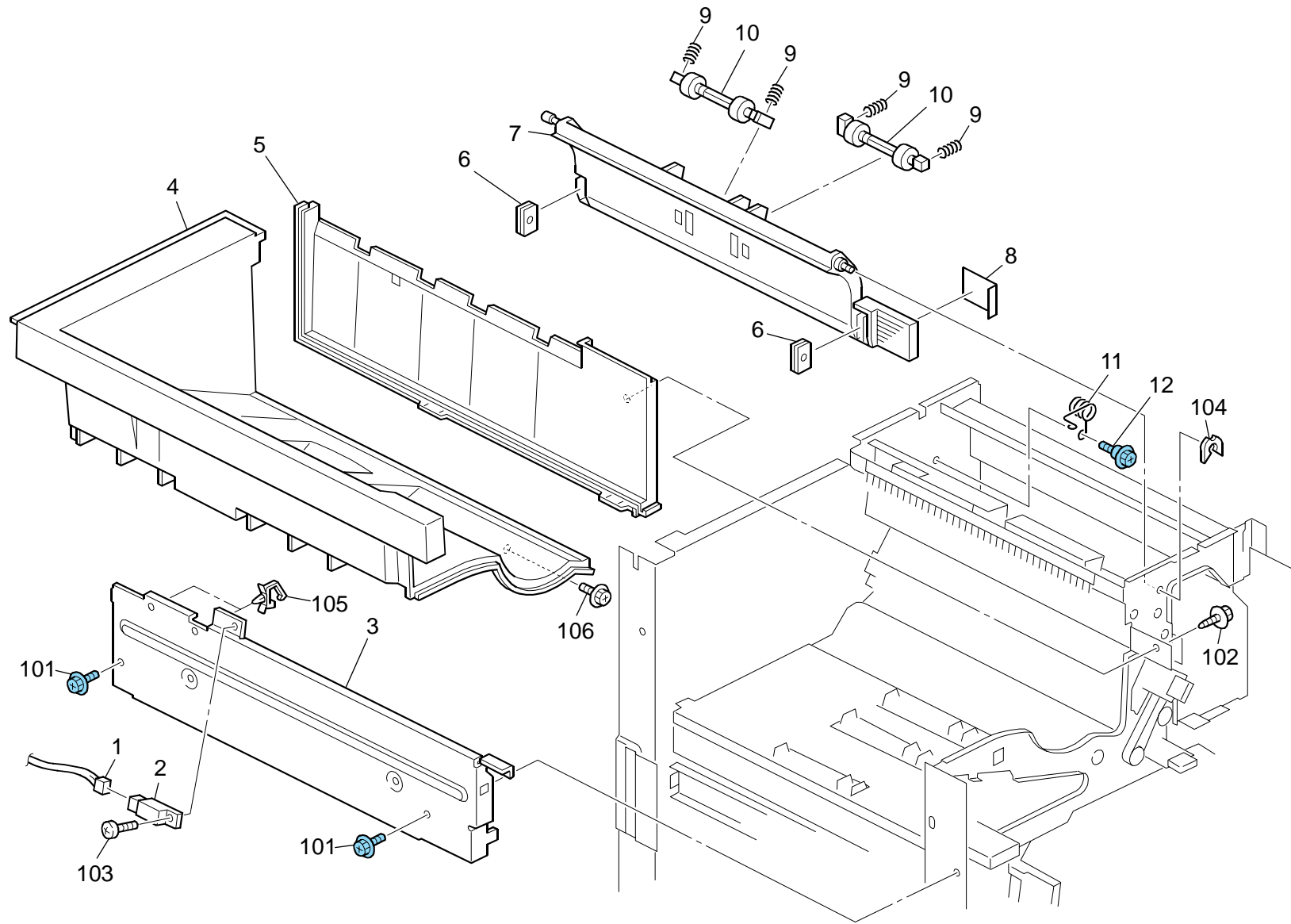


28.Fold Unit 22 (D454)

Index No.	Part No.	Description	Q'ty Per Assembly
1	D454 5800	Stepper Motor:MM56:Ass'y	2
2	D454 3512	Timing Pulley:Drive Sub-unit:Move	1
3	D454 3513	Timing Belt:60S3M120	1
4	D454 3518	Timing Belt:60S3M144	1
5	D454 5860	Stepper Motor:DC 4.4W	2
6	D454 5840	Stepper Motor:Transport:Release:Ass'y	1
7	B830 2141	Timing Belt - 60S3M237	1
8	A458 3281	Idler Roller	1
9	D454 4443	Timing Belt:60S3M159	1
10	D454 5850	DC Stepper Motor:MM56:No.2:Ass'y	1
11	B890 4244	Synchronous Belt:B60S3M270	1
12	B700 5805	Stepper Motor:PM:S2M:T15:Ass'y	1
13	D454 4453	Ring:Timing Pulley:DIA29	1
14	D454 4452	Gear:Z27:T40:S2M	1
15	D454 5810	Stepper Motor:MM42:Guide: Paper Crimp Unit	1
16	G894 2552	Timing Belt - 40S2M114	1

Index No.	Part No.	Description	Q'ty Per Assembly
101	0454 3006Q	Tapping Screw - M3x6	
102	0451 3006N	Tapping Screw - 3x6	
103	0454 4008Q	Tapping Screw - M4x8	
104	0451 4006N	Tapping Screw - 4x6	
105	0720 0060E	Retaining Ring - M6	
106	0805 0089	Retaining Ring - M4	
107	0720 0040E	Retaining Ring - M4	
108	1105 0516	Clamp	
109	1105 0518	Edge Saddle - LES-1010	
110	1105 0623	Clamp - LBWS-0206S-V0	

29. Paper Exit Section 1 (D454)

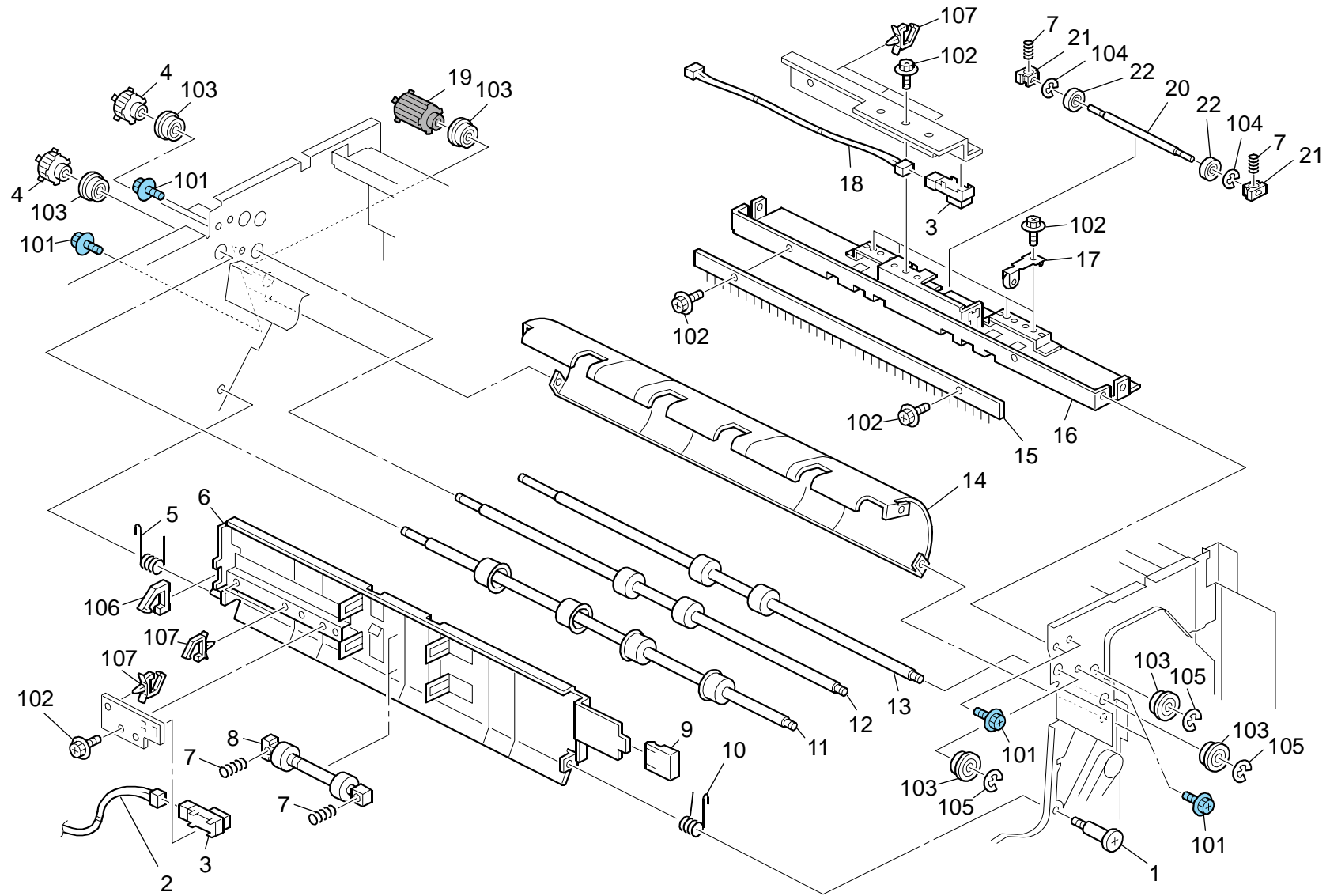


29.Paper Exit Section 1 (D454)

Index No.	Part No.	Description	Q'ty Per Assembly
1	D454 5236	Harness:Sensor:Fix:Overflow:Photo	1
2	B889 1354	Photointerruptor:Paper Crimp	1
3	D454 6242	Supporting Plate:Cover:Upper Left	1
4	D454 6152	Proof Tray	1
5	D454 6111	End Fence	1
6	AG07 0514	Magnet Catch	2
7	D454 2492	Guide Plate:Proof Tray:Right	1
8	D454 7102	Decal:Guide Plate:N2	1
9	D454 2436	Compression Spring:Driven:2.0N	4
10	AF02 2147	Driven Roller	2
11	D454 2493	Torsion Spring:Guide Plate:Auxiliary	1
12	B830 1135	Screw	1

Index No.	Part No.	Description	Q'ty Per Assembly
101	0454 3006Q	Tapping Screw - M3x6	
102	0450 4008N	Tapping Screw - M4x8	
103	0353 0060N	Bind Screw - M3x6	
104	0805 0089	Retaining Ring - M4	
105	1105 0623	Clamp - LBWS-0206S-V0	
106	0451 3008N	Tapping Screw - M3x8	

30.Paper Exit Section 2 (D454)

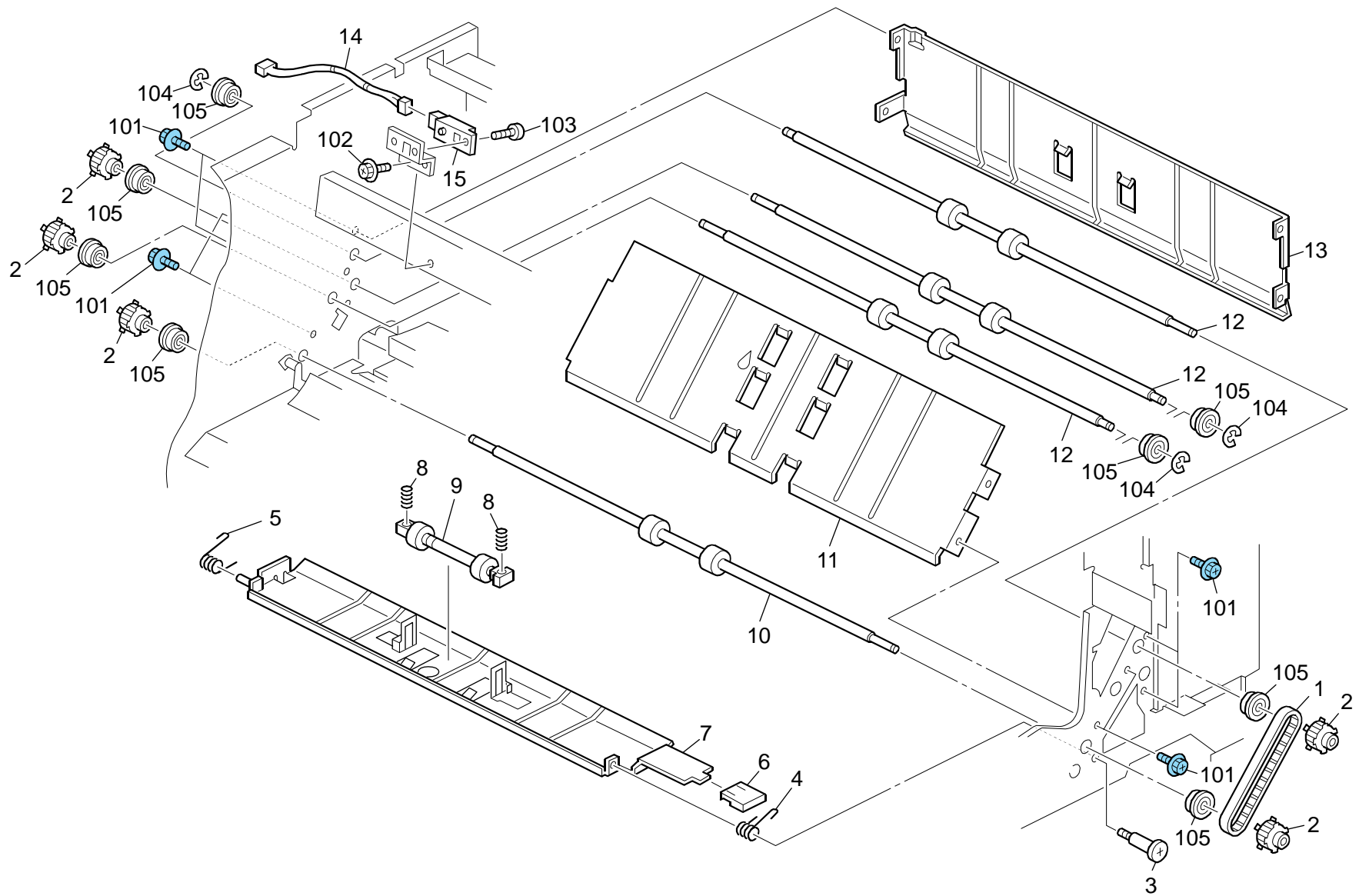


30.Paper Exit Section 2 (D454)

Index No.	Part No.	Description	Q'ty Per Assembly
1	AA14 3844	Screw:Cleaning Felt	1
2	D454 5224	Harness:Sensor:Fix:Tray:Transport Sensor	1
3	GW01 0007	Photo Reflection Sensor:Exit	2
4	B352 1607	Timing Pulley - T20-S3M	2
5	D454 2568	Torsion Spring:Exit:Inner Back	1
6	D454 2561	Guide Plate:Proof Tray:Left	1
7	D454 2436	Compression Spring:Driven:2.0N	6
8	AF02 2147	Driven Roller	2
9	D447 2564	Knob:Turn	1
10	D454 2569	Torsion Spring:Exit:Front	1
11	D434 2571	Exit Roller:Proof Tray	1
12	D454 2101	Transport Roller:Horizontal:DIA20	1
13	D454 2112	Transport Roller:380mm:Duplex Stack:Lower	1
14	D454 2483	Guide Plate:Proof Tray:Left Upper	1
15	B700 2317	Discharge Brush	1
16	D454 2515	Guide Plate:Proof Tray:Right Upper	1
17	D454 2535	Pressure Roller:Exit	4
18	D454 5226	Harness:Sensor:Paper Feed Sensor	1
19	B700 1645	Timing Pulley:20T	1
20	D454 2527	Shaft:Driven:Move	1
21	D454 3434	Holder:Pressure:Roller	2
22	D454 3433	Roller:Driven	2

Index No.	Part No.	Description	Q'ty Per Assembly
101	0454 3006Q	Tapping Screw - M3x6	
102	0451 3006N	Tapping Screw - 3x6	
103	0741 3506	Ball Bearing - 6x12x4 mm	
104	0720 0030E	Retaining Ring - M3	
105	0720 0040E	Retaining Ring - M4	
106	1105 0522	Edge Saddle - LES0510	
107	1105 0623	Clamp - LBWS-0206S-V0	

31.Paper Exit Section 3 (D454)

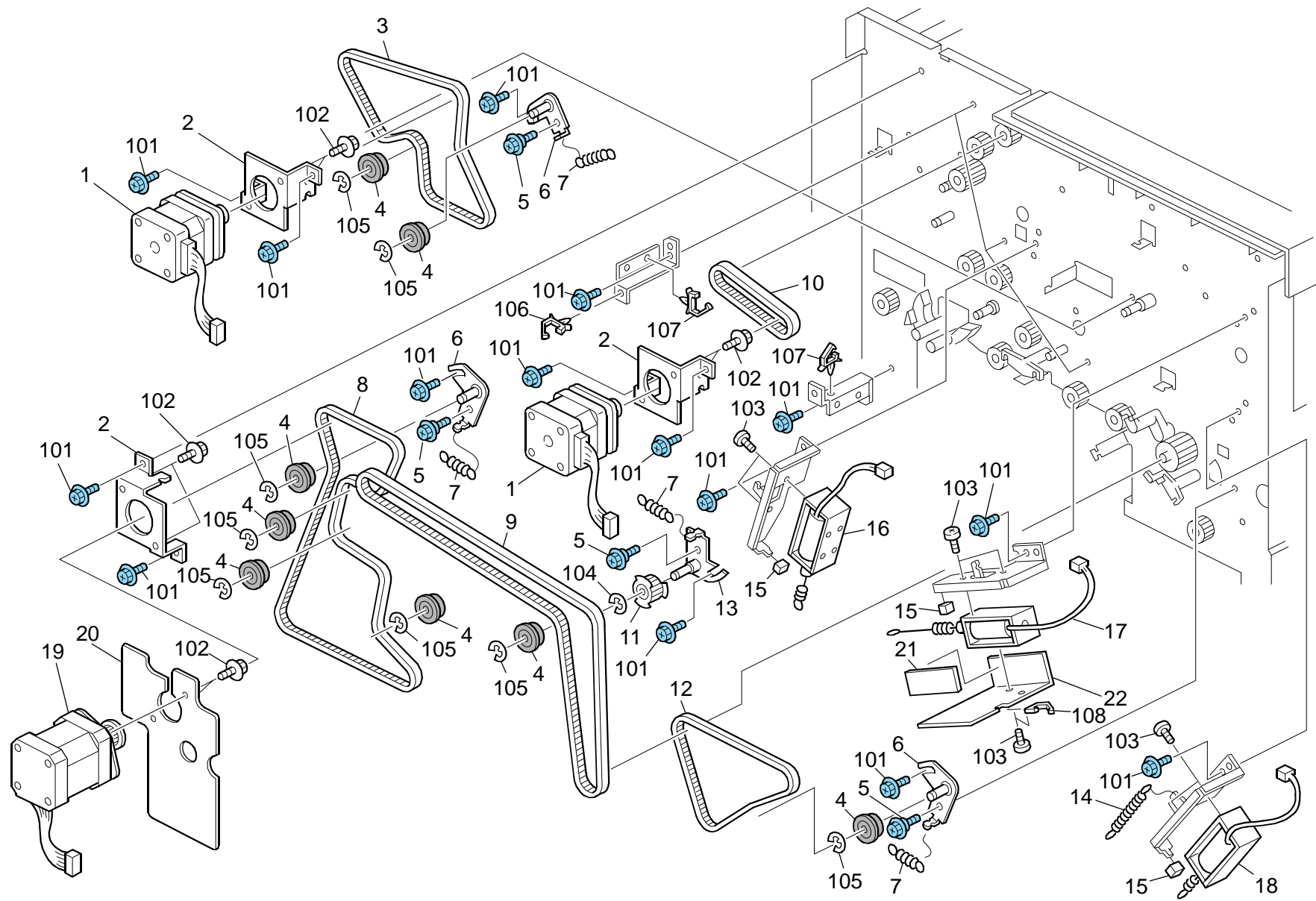


31.Paper Exit Section 3 (D454)

Index No.	Part No.	Description	Q'ty Per Assembly
1	D454 2647	Timing Belt:60S3M219	1
2	B352 1607	Timing Pulley - T20-S3M	5
3	AA14 3844	Screw:Cleaning Felt	1
4	D454 2438	Torsion Spring:Horizontal:Front	1
5	D454 2437	Torsion Spring:Horizontal:Inner Back	1
6	D447 2564	Knob:Turn	1
7	D454 2431	Guide Plate:Horizontal:Middle	1
8	D454 2436	Compression Spring:Driven:2.0N	2
9	AF02 2147	Driven Roller	1
10	D454 2111	Transport Roller:Proof Tray:Both Ends:DIA20	1
11	D454 2550	Guide Plate:Proof Tray:Middle:Left:Ass'y	1
12	D454 2101	Transport Roller:Horizontal:DIA20	3
13	D454 2462	Guide Plate:Proof Tray:Middle:Right	1
14	D454 5234	Harness:Sensor:Fix:Overflow:Radiate	1
15	B889 1354	Photointerruptor:Paper Crimp	1

Index No.	Part No.	Description	Q'ty Per Assembly
101	0454 3006Q	Tapping Screw - M3x6	
102	0451 3006N	Tapping Screw - 3x6	
103	0353 0060N	Bind Screw - M3x6	
104	0720 0040E	Retaining Ring - M4	
105	0741 3506	Ball Bearing - 6x12x4 mm	

32. Drive Section (D454)

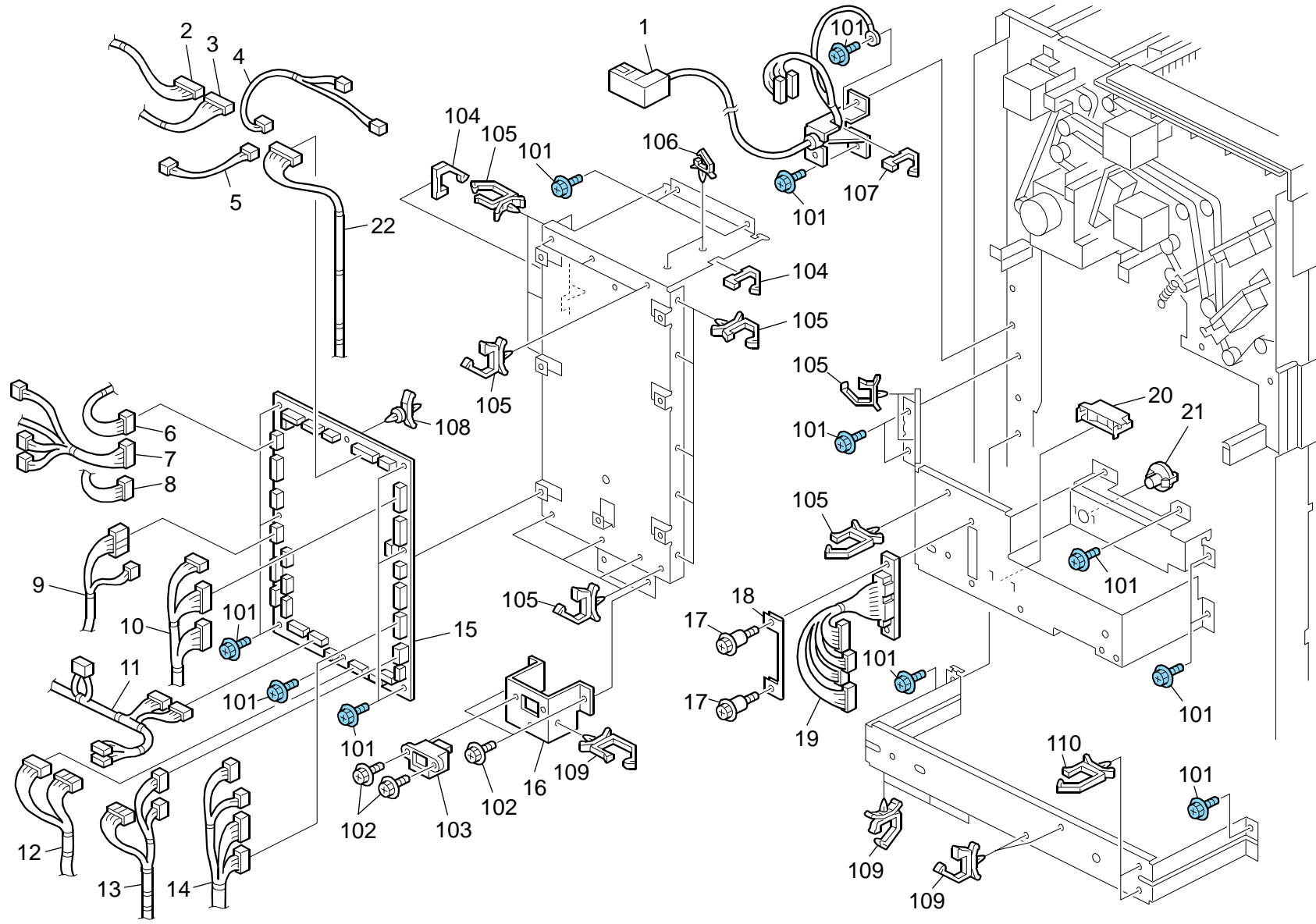


32. Drive Section (D454)

Index No.	Part No.	Description	Q'ty Per Assembly
1	D454 5860	Stepper Motor:DC 4.4W	2
2	B700 3205	Bracket:Stepper Motor:Exit	3
3	D454 2646	Timing Belt:60S3M420	1
4	A458 3281	Idler Roller	8
5	B830 1135	Screw	4
6	D454 2612	Bracket:Tensioner	3
7	D454 2614	Tension Spring:Tensioner:Horizontal	4
8	D454 2616	Timing Belt:60S3M672	1
9	B836 1913	Timing Belt - B60S3M699	1
10	D454 2656	Timing Belt:60S3M174	1
11	B302 1542	Timing Pulley - 20Z	1
12	D454 2636	Timing Belt:60S3M315	1
13	D454 2622	Tensioner:Horizontal:Middle	1
14	D454 2308	Tension Spring:Exchange Powl:Exit	1
15	A697 2102	Damper - Junction Gate Solenoid	3
16	D454 2202	DC Solenoid:Exchange Pawl:Exit	1
17	D454 2252	DC Solenoid:Exchange Pawl:Exit	1
18	D454 2302	DC Solenoid:Exchange Powl:Exit	1
19	D454 5870	Stepper Motor:MM42:Transport:Ass'y	1
20	D454 2618	Heat Sink:Motor:Transport:Horizontal	1
21	D454 2259	Sheet:Heat Sink:GP1-3.2	1
22	D454 2258	Heat Sink:Solenoid:1.00mm	1

Index No.	Part No.	Description	Q'ty Per Assembly
101	0454 3006Q	Tapping Screw - M3x6	
102	0451 3006N	Tapping Screw - 3x6	
103	0353 0040N	Screw - M3x4	
104	0720 0040E	Retaining Ring - M4	
105	0720 0060E	Retaining Ring - M6	
106	1105 0488	Harness Clamp	
107	1105 0623	Clamp - LBWS-0206S-V0	
108	1105 0692	Clamp:LES-0503	

33.Electrical Section (D454)

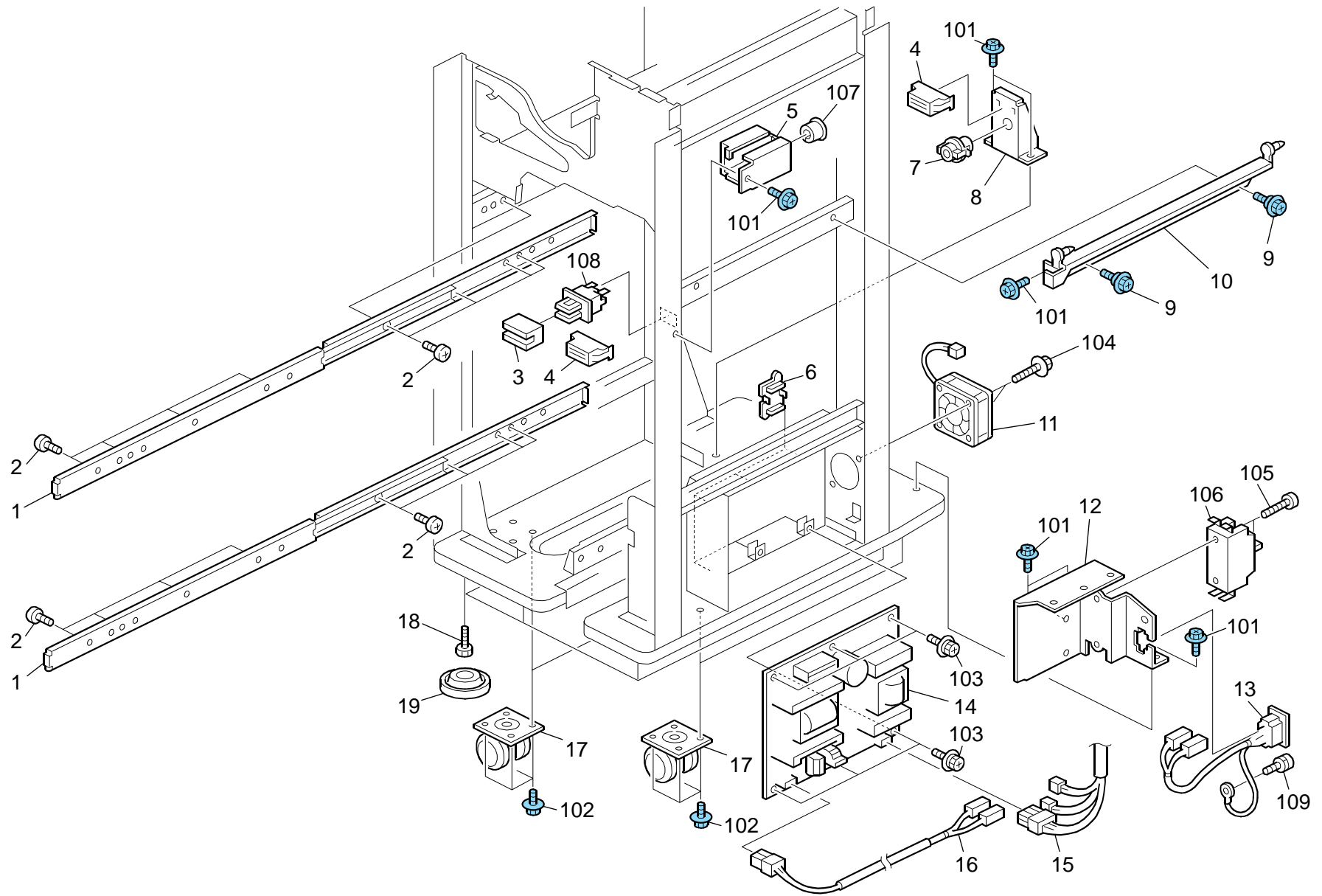


33.Electrical Section (D454)

Index No.	Part No.	Description	Q'ty Per Assembly
1	D454 5201	Harness:Interface	1
2	D454 5270	Harness:Motor:Fix:Gate Pawl:Transport	1
3	D454 5272	Harness:Motor:Fix:Exit	1
4	D454 5276	Harness:Solenoid:Gate Pawl:Exit	1
5	D454 5280	Harness:Solenoid:Fix:Gate Pawl:Tray	1
6	D454 5238	Harness:Sensor:Fix:Guide Plate	1
7	D454 5220	Harness:Sensor:Fix:Connecting	1
8	D454 5216	Harness:SW	1
9	D454 5214	Harness:Power Supply Unit:DC:Connecting	1
10	D454 5296	Harness:Motor:Pull Out:Right Lower	1
11	D454 5206	Harness:Interface:Connecting	1
12	D454 5304	Harness:Motor:Pull Out	1
13	D454 5301	Harness:Motor:Pull Out:Left Lower	1
14	D454 5291	Harness:Motor:Pull Out:Upper	1
15	D454 5501	PCB:Main Control:Ass'y	1
16	D454 5710	Bracket:Fix:Connector	1
17	D454 1386	Screw:Connector	2
18	D454 1385	Plate Spring:Drawer	1
19	D454 5242	Harness:Sensor:Drawer:Fix:Sub-ass'y	1
20	AG07 1012	Magnet Catch:Ass'y	1
21	B478 1174	Holder:Coupling:Upper	1
22	D454 5307	Harness:Motor:Pull Out:Crimp 1	1

Index No.	Part No.	Description	Q'ty Per Assembly
101	0454 3006Q	Tapping Screw - M3x6	
102	0451 3006N	Tapping Screw - 3x6	
103	1102 8502	Connector - 54679-1615	
104	1105 0522	Edge Saddle - LES0510	
105	1105 0488	Harness Clamp	
106	1105 0623	Clamp - LBWS-0206S-V0	
107	1105 0518	Edge Saddle - LES-1010	
108	1105 0193	Nylon Stud	
109	1105 0516	Clamp	
110	1105 0517	Harness Clamp - LWS-2111Z	

34.Frame Section (D454)



34.Frame Section (D454)

Index No.	Part No.	Description	Q'ty Per Assembly
1	D454 1362	Slide Rail:Pull Out	2
2	C685 6661	Tapping Screr:Exterior:KM	16
3	D355 1325	Cover:Push Switch	1
4	AG07 1012	Magnet Catch:Ass'y	2
5	D454 1441	Cover:SW	1
6	G060 5862	Cap - PSU	1
7	B478 1175	Holder:Coupling:Lower	1
8	B478 1172	Bracket:Coupling:Lower	1
9	B830 1135	Screw	2
10	B835 1181	Coupling Lever	1
11	AX64 0170	Fan Motor - MM60 DC24V	1
12	D434 5565	Bracket:Leak Breaker	1
13	D454 5209	Harness:Inlet	1
14	AZ25 0042	Power Supply Unit:COLUMBIA:600W:UNV-2	1
15	D454 5215	Harness:Power Supply Unit: DC Power Supply	1
16	D454 5212	Harness:Leak Breaker	1
17	AH01 2014	Caster - 60kgf	4
18	B706 1156	Hexagonal Bolt - M12x30	4
19	B132 1226	Holder:Stand	4

Index No.	Part No.	Description	Q'ty Per Assembly
101	0454 3006Q	Tapping Screw - M3x6	
102	0454 4008Q	Tapping Screw - M4x8	
103	0804 6123	Hexagonal Bolt:W/Washer:M3x8	
104	0451 3030N	Tapping Screw:3x30	
105	0354 0200N	Screw:M4x20	
106	1107 1280	Fuse:BJS1512F2	
107	1106 0241	Bushing - 6.7mm	
108	1204 2839	Switch:FA3L-CA23	
109	0954 4008N	Screw - M4x8	

Parts Index

Parts Index

Part No.	Description	Page and Index No.
D454 1362	Slide Rail:Pull Out	69 - 1
D454 1385	Plate Spring:Drawer	67 - 18
D454 1386	Screw:Connector	67 - 17
D454 1441	Cover:SW	69 - 5
D454 1450	Cover:Safety Switch:Ass'y	5 - 11
D454 1453	Cover:Harness:Safety Switch:Rear	5 - 16
D454 1472	Bracket:Fix:Harness	55 - 22
D454 2101	Transport Roller:Horizontal:DIA20	7 - 8
D454 2101	Transport Roller:Horizontal:DIA20	9 - 10
D454 2101	Transport Roller:Horizontal:DIA20	63 - 12
D454 2101	Transport Roller:Horizontal:DIA20	61 - 12
D454 2101	Transport Roller:Horizontal:DIA20	13 - 9
D454 2101	Transport Roller:Horizontal:DIA20	47 - 8
D454 2102	Transport Roller:Pick-up Paper Jam:DIA20	9 - 5
D454 2103	Transport Roller:Horizontal:DIA25	13 - 10
D454 2111	Transport Roller:Proof Tray:Both Ends:DIA20	63 - 10
D454 2112	Transport Roller:380mm:Duplex Stack:Lower	61 - 13
D454 2151	Bracket:Motor:Exchange Pawl:Entrance:Ass'y	9 - 19
D454 2154	Gear:Cam:Exchange Pawl:Entrance	9 - 21
D454 2156	Exchange Pawl:Entrance:Upper	9 - 16
D454 2157	Exchange Pawl:Entrance:Lower	9 - 14
D454 2158	Tension Spring:Exchange Pawl:Entrance:Upper	9 - 17
D454 2159	Tension Spring:Exchange Pawl:Entrance:Lower	9 - 13
D454 2196	Guide Plate:Connecting:Upper	7 - 13
D454 2202	DC Solenoid:Exchange Pawl:Exit	65 - 16
D454 2205	Exchange Pawl:Exit:Proof Tray	9 - 11
D454 2206	Arm:Exchange Pawl:Exit	9 - 3
D454 2207	Tension Spring:Exchange Pawl:Exit	9 - 2
D454 2252	DC Solenoid:Exchange Pawl:Exit	65 - 17
D454 2255	Exchange Pawl:Exit:Horizontal	13 - 14
D454 2256	Arm:Exchange Pawl:Exit	13 - 5
D454 2257	Tension Spring:Exchange Pawl:Exit:Horizontal	13 - 6
D454 2258	Heat Sink:Solenoid:1.00mm	65 - 22
D454 2259	Sheet:Heat Sink:GP1-3.2	65 - 21
D454 2302	DC Solenoid:Exchange Powl:Exit	65 - 18

Part No.	Description	Page and Index No.
D454 2305	Arm:Exchange Pawl:Exit	13 - 3
D454 2306	Exchange Pawl:Exit	13 - 12
D454 2308	Tension Spring:Exchange Powl:Exit	65 - 14
D454 2412	Guide Plate:Entrance:Lower	7 - 11
D454 2413	Guide Plate:Entrance:Lower:Auxiliary	7 - 9
D454 2421	Guide Plate:Proof Tray:Middle:Left	9 - 9
D454 2431	Guide Plate:Horizontal:Middle	63 - 7
D454 2436	Compression Spring:Driven:2.0N	13 - 19
D454 2436	Compression Spring:Driven:2.0N	61 - 7
D454 2436	Compression Spring:Driven:2.0N	19 - 8
D454 2436	Compression Spring:Driven:2.0N	59 - 9
D454 2436	Compression Spring:Driven:2.0N	45 - 2
D454 2436	Compression Spring:Driven:2.0N	41 - 5
D454 2436	Compression Spring:Driven:2.0N	39 - 4
D454 2436	Compression Spring:Driven:2.0N	17 - 8
D454 2436	Compression Spring:Driven:2.0N	53 - 4
D454 2436	Compression Spring:Driven:2.0N	63 - 8
D454 2436	Compression Spring:Driven:2.0N	7 - 4
D454 2436	Compression Spring:Driven:2.0N	11 - 3
D454 2437	Torsion Spring:Horizontal:Inner Back	63 - 5
D454 2438	Torsion Spring:Horizontal:Front	63 - 4
D454 2442	Guide Plate:Exit:Middle:Upper	11 - 2
D454 2452	Guide Plate:Horizontal:Rear	11 - 8
D454 2456	Supporting Plate:Proof Tray:Middle:Left	11 - 14
D454 2462	Guide Plate:Proof Tray:Middle:Right	63 - 13
D454 2472	Guide Plate:Entrance:Open And Close	7 - 3
D454 2483	Guide Plate:Proof Tray:Left Upper	61 - 14
D454 2492	Guide Plate:Proof Tray:Right	59 - 7
D454 2493	Torsion Spring:Guide Plate:Auxiliary	59 - 11
D454 2493	Torsion Spring:Guide Plate:Auxiliary	13 - 15
D454 2515	Guide Plate:Proof Tray:Right Upper	61 - 16
D454 2522	Guide Plate:Exit:Horizontal	13 - 11
D454 2527	Shaft:Driven:Move	61 - 20
D454 2532	Guide Plate:Exit:Proof Tray	13 - 18
D454 2535	Pressure Roller:Exit	61 - 17

Part No.	Description	Page and Index No.
D454 2542	Guide Plate:Exit:Middle:Lower	11 - 1
D454 2550	Guide Plate:Proof Tray:Middle:Left:Ass'y	63 - 11
D454 2561	Guide Plate:Proof Tray:Left	61 - 6
D454 2568	Torsion Spring:Exit:Inner Back	61 - 5
D454 2569	Torsion Spring:Exit:Front	61 - 10
D454 2612	Bracket:Tensioner	55 - 19
D454 2612	Bracket:Tensioner	19 - 16
D454 2612	Bracket:Tensioner	65 - 6
D454 2614	Tension Spring:Tensioner:Horizontal	55 - 18
D454 2614	Tension Spring:Tensioner:Horizontal	65 - 7
D454 2614	Tension Spring:Tensioner:Horizontal	47 - 1
D454 2616	Timing Belt:60S3M672	65 - 8
D454 2617	Timing Pulley:S3M:T25:Long	13 - 2
D454 2618	Heat Sink:Motor:Transport:Horizontal	65 - 20
D454 2622	Tensioner:Horizontal:Middle	65 - 13
D454 2632	Bracket:Tensioner	47 - 4
D454 2636	Timing Belt:60S3M315	65 - 12
D454 2646	Timing Belt:60S3M420	65 - 3
D454 2647	Timing Belt:60S3M219	63 - 1
D454 2656	Timing Belt:60S3M174	65 - 10
D454 2831	Tensioner:Fold	53 - 10
D454 2838	Pulley:Idler:DIA19:Press Fit	47 - 7
D454 2838	Pulley:Idler:DIA19:Press Fit	53 - 7
D454 3123	Cushion:Side Plate:Pull Out:Front	51 - 17
D454 3124	Cushion:Side Plate:Pull Out:Rear	51 - 18
D454 3140	Slider:Roller:No.5	49 - 4
D454 3156	Cover:Paper Crimp Sub-unit:Upper	19 - 3
D454 3211	Bracket:Connector:Paper Crimp Sub-unit	55 - 2
D454 3223	Bracket:Fix:Harness	55 - 11
D454 3311	Guide Plate:Right Upper:Inner Back	19 - 23
D454 3312	Guide Plate:Right Upper:Front	19 - 21
D454 3317	Timing Belt:60S3M513	21 - 1
D454 3318	Shaft:Drive Sub-unit:Transport Roller:Move	21 - 4
D454 3321	Guide Plate:Drive Sub-unit:Transport Roller	21 - 5
D454 3333	Gear:Transport Roller:Move	21 - 17

Part No.	Description	Page and Index No.
D454 3334	Gear:Pulley:Transport Roller:Move	21 - 15
D454 3335	Transport Roller:Move	21 - 13
D454 3336	Stay:Timing Belt	21 - 10
D454 3340	Base:Transport Roller:Move:Peen	21 - 11
D454 3349	Roller:DIA15:Press Fit	21 - 14
D454 3351	Guide Plate:Right Upper:Middle	19 - 22
D454 3355	Film:Guide:Upper	19 - 24
D454 3362	Transport Roller:Vertical Transport	19 - 9
D454 3371	Slide Rail:L=269	21 - 6
D454 3411	Guide:Right Upper	17 - 25
D454 3412	Guide Rod	17 - 19
D454 3416	Guide Plate:Right Upper	17 - 18
D454 3417	Guide Plate:Move:Ass'y	17 - 12
D454 3432	Shaft:Driven:Move	17 - 10
D454 3433	Roller:Driven	17 - 9
D454 3433	Roller:Driven	61 - 22
D454 3434	Holder:Pressure:Roller	61 - 21
D454 3434	Holder:Pressure:Roller	17 - 7
D454 3435	Film:Guide:Middle	17 - 6
D454 3436	Film:Guide:Middle	17 - 4
D454 3437	Film:Guide:Small	17 - 5
D454 3438	Compression Spring:Driven:1.25N	17 - 28
D454 3442	Plate:Trailing Edge	17 - 13
D454 3443	Tension Spring:Plate:Trailing Edge	17 - 14
D454 3446	Roller:Pressure	17 - 17
D454 3461	Grip:Guide Plate:Right Upper	17 - 23
D454 3462	Shaft:Grip:Guide Plate:Right Upper	17 - 26
D454 3463	Lever:Lock:Upper	17 - 20
D454 3464	Lever:Lock:Lower	17 - 21
D454 3471	Guide Plate:Turn:Entrance:Lower	19 - 6
D454 3477	Shaft:Contact Point:Guide Plate:Right Upper	17 - 1
D454 3481	Guide:Turn:Entrance	19 - 5
D454 3512	Timing Pulley:Drive Sub-unit:Move	57 - 2
D454 3513	Timing Belt:60S3M120	57 - 3
D454 3518	Timing Belt:60S3M144	57 - 4

Part No.	Description	Page and Index No.
D454 3521	Spacer:DIA36	21 - 16
D454 3523	Timing Belt:60S3M624	19 - 14
D454 3524	Timing Pulley:T20/T20	19 - 15
D454 3525	Timing Pulley:T20/Z17	19 - 11
D454 3613	Tension Spring:Stopper:7n	43 - 22
D454 3613	Tension Spring:Stopper:7N	23 - 25
D454 3613	Tension Spring:Stopper:7N	29 - 6
D454 3614	Knob Screw:M3	29 - 19
D454 3614	Knob Screw:M3	43 - 18
D454 3614	Knob Screw:M3	23 - 8
D454 3615	Guide Plate:No.1	29 - 1
D454 3619	Screw:Contact Point:M3	29 - 16
D454 3619	Screw:Contact Point:M3	23 - 4
D454 3619	Screw:Contact Point:M3	43 - 20
D454 3626	Slider:Stopper	23 - 23
D454 3626	Slider:Stopper	29 - 9
D454 3626	Slider:Stopper	43 - 13
D454 3627	Shaft:Stopper:No.1:Front	29 - 7
D454 3628	Shaft:Stopper:No.1:Inner Back	29 - 8
D454 3629	Stopper:Paper Crimp	29 - 10
D454 3629	Stopper:Paper Crimp	43 - 16
D454 3631	Bracket:Tightener:Paper Crimp	29 - 14
D454 3631	Bracket:Tightener:Paper Crimp	23 - 27
D454 3631	Bracket:Tightener:Paper Crimp	43 - 7
D454 3634	Tightener:DIA10	29 - 15
D454 3634	Tightener:DIA10	43 - 9
D454 3634	Tightener:DIA10	23 - 26
D454 3635	Tension Spring:5N	29 - 17
D454 3635	Tension Spring:5N	43 - 8
D454 3635	Tension Spring:5N	23 - 28
D454 3636	Timing Belt:40S2M672	29 - 12
D454 3637	Timing Pulley:T20	43 - 14
D454 3637	Timing Pulley:T20	29 - 11
D454 3637	Timing Pulley:T20	23 - 15
D454 3641	Guide Plate:No.1	25 - 2

Part No.	Description	Page and Index No.
D454 3643	Bushing:Slider:Stopper	29 - 3
D454 3643	Bushing:Slider:Stopper	43 - 1
D454 3643	Bushing:Slider:Stopper	23 - 32
D454 3653	Base:Gathering Roller	27 - 8
D454 3654	Shaft:Gathering Roller	27 - 10
D454 3657	Feeler:Gathering Roller	27 - 12
D454 3658	Gear:Gathering Roller	27 - 5
D454 3659	Tension Spring:Gathering Roller	27 - 7
D454 3661	Gathering Roller	27 - 2
D454 3665	Arm:Gathering Roller	27 - 4
D454 3669	Gear:Gathering Roller:Middle	27 - 3
D454 3672	Jogger Fence:Front	25 - 6
D454 3673	Pad:Sensor	25 - 22
D454 3679	Guide Plate:Jogger:Middle	25 - 8
D454 3685	Bracket:Jogger:Tensioner	25 - 13
D454 3688	Timing Pulley:T35:T23	25 - 18
D454 3689	Timing Pulley:Jogger:T23	25 - 17
D454 3691	Jogger Fence:Inner Back	25 - 7
D454 3694	Guide Plate:Jogger:Slide	25 - 10
D454 3697	Shaft:Guide:Jogger	25 - 15
D454 3698	Timing Belt:40S2M726	25 - 16
D454 3699	Guide:Jogger Fence	25 - 21
D454 3711	Guide Plate:No.2	23 - 10
D454 3712	Cushion:Guide Plate:No.2	23 - 35
D454 3721	Base:Stopper:No.2	23 - 29
D454 3723	Shaft:Stopper:No.2	23 - 22
D454 3724	Stopper:Paper Crimp:No.2	23 - 16
D454 3725	Timing Belt:40S2M586	23 - 21
D454 3731	Guide:Leading Edge:Plate	23 - 14
D454 3732	Arm:Guide:Leading Edge:Plate	23 - 12
D454 3741	Guide Plate:No.2	23 - 1
D454 3811	Guide Plate:No.3	43 - 19
D454 3821	Base:Stopper:No.3:Welding	43 - 6
D454 3823	Shaft:Stopper:No.3	43 - 12
D454 3824	Timing Belt:40S2M354	43 - 11

Part No.	Description	Page and Index No.
D454 3841	Guide Plate:No.3	43 - 26
D454 3842	Guide:Left Lower	43 - 23
D454 3843	Cushion:Stopper:No.3	43 - 3
D454 3911	DC Solenoid:Guide:Leading Edge	23 - 18
D454 3913	Bracket:Solenoid	23 - 20
D454 3913	Bracket:Solenoid	41 - 20
D454 3914	Cushion:Solenoid	23 - 19
D454 3914	Cushion:Solenoid	41 - 21
D454 3921	Tension Spring:Gate Pawl	23 - 11
D454 3921	Tension Spring:Gate Pawl	41 - 12
D454 4105	Paper Crimp Sub-unit:No.1:Ass'y	31 - *
D454 4105	Paper Crimp Sub-unit:No.1:Ass'y	35 - *
D454 4111	Slider:Blade	37 - 4
D454 4141	Blade:Paper Crimp Sub-unit	37 - 9
D454 4144	Bushing:Blade	37 - 8
D454 4145	Guide:Blade	37 - 6
D454 4146	Compression Spring:8.5N	37 - 10
D454 4147	Rack:Blade	37 - 3
D454 4151	Shaft:Drive:Blade	37 - 11
D454 4152	Gear:Blade:Press Fit	37 - 1
D454 4153	Pulley:Gear:Blade	37 - 2
D454 4159	Gear:Z27	35 - 6
D454 4182	Shaft:Gear:Roller:Coupling	49 - 17
D454 4182	Shaft:Gear:Roller:Coupling	33 - 13
D454 4183	Link:Roller:Drive:Ass'y	49 - 18
D454 4183	Link:Roller:Drive:Ass'y	33 - 11
D454 4184	Link:Roller:Driven:Ass'y	33 - 12
D454 4184	Link:Roller:Driven:Ass'y	49 - 19
D454 4186	Gear:Roller:Z22	33 - 9
D454 4186	Gear:Roller:Z22	49 - 21
D454 4187	Gear:Coupling:Roller:Z18	33 - 10
D454 4187	Gear:Coupling:Roller:Z18	49 - 20
D454 4191	Guide Plate:Paper Crimp:No.1:Lower	39 - 10
D454 4192	Transport Roller:Paper Crimp:No.1:Lower	39 - 11
D454 4193	Gear:Transport Roller:Paper Crimp:Lower	39 - 3

Part No.	Description	Page and Index No.
D454 4194	Gear:Idler:Transport:Paper Crimp:Ass'y	39 - 2
D454 4199	Guide Plate:Middle:Gate	39 - 9
D454 4211	Roller:No.1:Ass'y	35 - 15
D454 4212	Timing Pulley:S3M:T35	35 - 8
D454 4213	Stopper:Shutter:Roller	35 - 9
D454 4218	Guide Plate:No.1:Entrance	39 - 13
D454 4219	Sheet:Guide:No.1	39 - 12
D454 4221	Shutter:Ass'y	35 - 14
D454 4227	Roller:DIA6	35 - 7
D454 4228	Lever:Shutter	31 - 10
D454 4229	Tension Spring:3.5N	31 - 9
D454 4231	Roller:No.2:Ass'y	35 - 16
D454 4232	Spacer:Roller:No.2	35 - 5
D454 4241	Roller:No.3:Ass'y	35 - 13
D454 4243	Stopper:Guide Plate:Open And Close	33 - 4
D454 4244	Gear:Link:Rear:Z68	35 - 10
D454 4245	Gear:Pulley:Z22/T32	35 - 2
D454 4251	Guide Plate:No.2:Entrance	33 - 3
D454 4254	Grip:Guide Plate	33 - 2
D454 4256	Bracket:Exchange Pawl:Middle Upper	35 - 11
D454 4259	Exchange Pawl:Middle Upper	35 - 12
D454 4261	Driven Roller:Paper Crimp	31 - 15
D454 4264	Plate:Bearing:Roller	35 - 4
D454 4293	Bushing:Driven Roller	31 - 5
D454 4296	Bracket:Stud:Support	33 - 21
D454 4297	Bracket:Stud:Pressure Release:Support	31 - 23
D454 4312	Transport Roller:Registration	31 - 1
D454 4314	Slider:Driven Roller:Registration:Ass'y	31 - 4
D454 4315	Driven Roller:Registration	31 - 6
D454 4316	Tension Spring:Registration Roller:Pressure	31 - 3
D454 4317	Guide Plate:Registration	31 - 8
D454 4318	Bracket:Stopper:Shutter	31 - 7
D454 4321	Guide Plate:Connecting:Right	37 - 5
D454 4331	Gear:Cam:Rear:Z40	31 - 21
D454 4332	Gear:Cam:Front:Z40	31 - 14

Part No.	Description	Page and Index No.
D454 4333	Link:Transport Roller:Release	31 - 11
D454 4334	Slider:Driven Roller:Paper Crimp:Ass'y	31 - 12
D454 4336	Shaft:Cam:Release	31 - 18
D454 4337	Gear:Cam:Release	31 - 16
D454 4338	Gear:Idler:T42/Z25	31 - 19
D454 4339	Compression Spring:Transport:Pressure	31 - 13
D454 4353	Cam:Paper Crimp:Pressure Release	33 - 7
D454 4354	Shaft:Paper Crimp:Pressure Release	33 - 17
D454 4355	Bracket:Tension Spring:Roller:Front	33 - 6
D454 4356	Bracket:Tension Spring:Roller:Rear	33 - 20
D454 4358	Handle:Cam:Paper Crimp:Pressure Release	15 - 8
D454 4359	Tension Spring:Pressure Release:Return	33 - 19
D454 4361	Synchronous Belt:60S3M195	35 - 3
D454 4362	Tension Spring:Pressure:Roller:No.1	33 - 14
D454 4366	Bracket:Tensioner:Paper Crimp:Front	33 - 15
D454 4367	Bracket:Tensioner:Paper Crimp:Rear	33 - 16
D454 4372	Gear:Roller:Drive:Idler	35 - 1
D454 4415	Timing Belt:100S3M357	55 - 6
D454 4416	Timing Pulley:S3M:T99:T35	55 - 5
D454 4417	Ring:Timing Pulley:DIA37	55 - 15
D454 4419	Cover:DC Motor:No.1	55 - 21
D454 4421	Bracket:Tensioner:No.1	55 - 20
D454 4443	Timing Belt:60S3M159	57 - 9
D454 4452	Gear:Z27:T40:S2M	57 - 14
D454 4453	Ring:Timing Pulley:DIA29	57 - 13
D454 4512	Timing Pulley:S3M:T45	49 - 6
D454 4531	Roller:No.4:Ass'y	49 - 9
D454 4532	Roller:No.5:Ass'y	49 - 14
D454 4541	Bracket:Paper Crimp:No.2:Front	49 - 15
D454 4551	Hook:Tensioner:Paper Crimp Sub-unit: No.2:Front	49 - 13
D454 4552	Bracket:Tensioner:Paper Crimp:No.2:Front	49 - 22
D454 4554	Tension Spring:Roller:No.2:9N	49 - 11
D454 4561	Hook:Tensioner:Paper Crimp Sub-unit:No.2:Rear	49 - 12
D454 4562	Bracket:Tensioner:Paper Crimp:No.2:Rear	49 - 10

Part No.	Description	Page and Index No.
D454 4611	Timing Pulley:S3M:T23	47 - 10
D454 4612	Transport Roller:Middle:DIA23	47 - 9
D454 4621	Gate Pawl:Middle	41 - 10
D454 4625	DC Solenoid:Gate Pawl:Middle:Ass'y	41 - 22
D454 4641	Guide Plate:Middle:Lower:Entrance	45 - 15
D454 4646	Guide Plate:Middle:Lower:Exit	45 - 12
D454 4647	Sheet:Guide Plate:Auxiliary	45 - 11
D454 4648	Guide Plate:Middle:Exit:Auxiliary	45 - 13
D454 4651	Guide Plate:Transport:Middle	45 - 14
D454 4652	Compression Spring:Driven:8.0N	41 - 17
D454 4656	Guide Plate:Left Lower:Entrance: Open And Close:Ass'y	41 - 27
D454 4657	Supporting Plate:Left Lower:Entrance: Open And Close	41 - 18
D454 4657	Supporting Plate:Left Lower:Entrance: Open And Close	43 - 27
D454 4659	Compression Spring:Driven:5.0N	41 - 16
D454 4662	Guide Plate:Left Lower:Exit	45 - 5
D454 4663	Shaft:Guide Plate:Entrance	45 - 7
D454 4664	Lever:Pressure Release	49 - 5
D454 4667	Torsion Spring:Guide Plate	41 - 9
D454 4672	Guide Plate:Middle:Exit	41 - 3
D454 4673	Sheet:Guide Plate:Middle:Exit	41 - 1
D454 4674	Guide Plate:Left Lower:Entrance: Open And Close	41 - 14
D454 4675	Sheet:Plate:Roller	41 - 26
D454 4682	Timing Belt:60S3M405	47 - 6
D454 4683	Timing Pulley:S3M:T32	49 - 8
D454 4685	Torsion Spring:Guide Plate:Middle:Auxiliary	41 - 25
D454 4710	Guide:Paper Crimp Sub-unit:No.2	45 - 16
D454 4711	Bracket:Paper Crimp Unit:No.2:Front	45 - 17
D454 4714	Bracket:Paper Crimp Unit:No.2:Rear	45 - 18
D454 4717	Cam:Guide:Paper Crimp Sub-unit:No.2:Rear	45 - 9
D454 4749	Timing Belt:40S3M270	49 - 2
D454 4752	Gear:Z27:T40	49 - 3

Part No.	Description	Page and Index No.
D454 4754	Gear:Idler:Z27	49 - 7
D454 4757	Ring:Timing Pulley:DIA41.5	49 - 1
D454 4820	Timing Pulley:S3M:T28	53 - 11
D454 4821	Timing Belt:100S3M633	53 - 12
D454 4852	Pressure Roller:Drive	53 - 3
D454 4855	Pressure Roller:Driven:No.1	51 - 9
D454 4861	Plate:Radial Ball Bearing:Pressure Roller	53 - 1
D454 4862	Pressure Roller:Drive:Long	53 - 13
D454 4863	Pressure Roller:Drive:Lower	53 - 14
D454 4864	Pressure Roller:Driven:No.2	51 - 10
D454 4872	Transport Roller:Pressure Sub-unit	53 - 2
D454 4876	Hook:Tensioner:Pressure Roller:Front	51 - 2
D454 4878	Tensioner:Pressure Roller:Driven:B	51 - 5
D454 4880	Tensioner:Pressure Roller:Driven:A	51 - 6
D454 4883	Hook:Tensioner:Pressure Roller:Rear	51 - 3
D454 4884	Tension Spring:Pressure Roller:7.3N	51 - 8
D454 4885	Tension Spring:Pressure Roller:12.5N	51 - 7
D454 4893	Guide Plate:Left Upper:Ass'y	53 - 6
D454 4897	Sheet:Transport:Pressure Sub-unit:Large	51 - 14
D454 4898	Sheet:Transport:Pressure Sub-unit:Small	51 - 15
D454 4899	Guide Plate:Left Upper:Lengthwise: Open And Close	51 - 11
D454 4901	Sheet:Transport:Pressure Sub-unit:Upper	51 - 16
D454 4991	Bracket:Magnetic:Left Upper	51 - 1
D454 5201	Harness:Interface	67 - 1
D454 5206	Harness:Interface:Connecting	67 - 11
D454 5209	Harness:Inlet	69 - 13
D454 5212	Harness:Leak Breaker	69 - 16
D454 5214	Harness:Power Supply Unit:DC:Connecting	67 - 9
D454 5215	Harness:Power Supply Unit:DC Power Supply	69 - 15
D454 5216	Harness:SW	67 - 8
D454 5220	Harness:Sensor:Fix:Connecting	67 - 7
D454 5222	Harness:Sensor:Fix:Entrance Sensor	7 - 14
D454 5224	Harness:Sensor:Fix:Tray:Transport Sensor	61 - 2
D454 5226	Harness:Sensor:Paper Feed Sensor	61 - 18

Part No.	Description	Page and Index No.
D454 5234	Harness:Sensor:Fix:Overflow:Radiate	63 - 14
D454 5236	Harness:Sensor:Fix:Overflow:Photo	59 - 1
D454 5238	Harness:Sensor:Fix:Guide Plate	11 - 11
D454 5238	Harness:Sensor:Fix:Guide Plate	67 - 6
D454 5242	Harness:Sensor:Drawer:Fix:Sub-ass'y	67 - 19
D454 5245	Harness:Sensor:Drawer:Pull Out:Sub-ass'y	55 - 3
D454 5248	Harness:Sensor:Pull Out:Gathering Roller	27 - 11
D454 5250	Harness:Sensor:Pull Out:Jogger:Sensor	25 - 12
D454 5256	Harness:Sensor:Pull Out:Stopper:No.2	23 - 33
D454 5258	Harness:Sensor:Pull Out:Move:Sensor	21 - 7
D454 5260	Harness:Sensor:Pull Out:Stopper:No.3	43 - 15
D454 5262	Harness:Sensor:Pull Out:Sensor	45 - 10
D454 5264	Harness:Sensor:Pull Out:Registration Sensor	17 - 3
D454 5270	Harness:Motor:Fix:Gate Pawl:Transport	67 - 2
D454 5272	Harness:Motor:Fix:Exit	67 - 3
D454 5276	Harness:Solenoid:Gate Pawl:Exit	67 - 4
D454 5280	Harness:Solenoid:Fix:Gate Pawl:Tray	67 - 5
D454 5291	Harness:Motor:Pull Out:Upper	67 - 14
D454 5294	Harness:Solenoid:Pull Out:Crimp2	41 - 19
D454 5296	Harness:Motor:Pull Out:Right Lower	67 - 10
D454 5298	Harness:Motor:Pull Out:Gathering Roller	27 - 16
D454 5301	Harness:Motor:Pull Out:Left Lower	67 - 13
D454 5304	Harness:Motor:Pull Out	67 - 12
D454 5307	Harness:Motor:Pull Out:Crimp 1	55 - 13
D454 5307	Harness:Motor:Pull Out:Crimp 1	67 - 22
D454 5316	Harness:Solenoid:Pull Out:Leading Edge: Gate Pawl	23 - 17
D454 5324	Harness:Sensor:Fix:St Sensor	9 - 8
D454 5332	Harness:Sensor:Pull Out:By-pass:Front	39 - 8
D454 5334	Harness:Sensor:Pull Out:By-pass:Rear	41 - 8
D454 5501	PCB:Main Control:Ass'y	67 - 15
D454 5710	Bracket:Fix:Connector	67 - 16
D454 5800	Stepper Motor:MM56:Ass'y	57 - 1
D454 5810	Stepper Motor:MM42:Guide:Paper Crimp Unit	57 - 15
D454 5820	DC Motor:DIA85:DC24V:72.2W	55 - 12

Part No.	Description	Page and Index No.
D454 5832	DC Brushless Motor:DC24V:86.6W:Ass'y	55 - 4
D454 5840	Stepper Motor:Transport:Release:Ass'y	57 - 6
D454 5850	DC Stepper Motor:MM56:No.2:Ass'y	57 - 10
D454 5860	Stepper Motor:DC 4.4W	65 - 1
D454 5860	Stepper Motor:DC 4.4W	57 - 5
D454 5870	Stepper Motor:MM42:Transport:Ass'y	65 - 19
D454 6111	End Fence	59 - 5
D454 6152	Proof Tray	59 - 4
D454 6221	Cover:Upper Right	5 - 6
D454 6222	Cover:Behind:Upper Right	5 - 5
D454 6223	Cushion:Cover:Behind:Upper Right	39 - 6
D454 6223	Cushion:Cover:Behind:Upper Right	43 - 28
D454 6223	Cushion:Cover:Behind:Upper Right	5 - 15
D454 6231	Cover:Upper Rear	5 - 8
D454 6241	Cover:Upper Left	5 - 4
D454 6242	Supporting Plate:Cover:Upper Left	59 - 3
D454 6252	Bracket:Cover:Take Off:Upper	5 - 1
D454 6253	Cover:Take Off:Upper	5 - 2
D454 6312	Cover:Front	3 - 1
D454 6321	Cover:Front:Small	3 - 3
D454 6331	Cover:Take Off:Front	3 - 7
D454 6332	Bracket:Cover:Take Off:Front	3 - 8
D454 6341	Cover:Front:Grip	3 - 2
D454 6351	Cover:Front:Left Upper	3 - 12
D454 6360	Hinge:Door:Upper:Ass'y	3 - 10
D454 6370	Hinge:Door:Lower:Ass'y	3 - 16
D454 6411	Cover:Left:Front	5 - 3
D454 6511	Inner Cover:Paper Crimp Sub-unit	15 - 6
D454 6521	Inner Cover:Transport Sub-unit:Upper	3 - 13
D454 6531	Inner Cover:Right Lower	3 - 17
D454 6610	Cover:Rear Upper	5 - 9
D454 6620	Cover:Rear Lower	5 - 10
D454 7101	Decal:Guide Plate:N1	7 - 1
D454 7102	Decal:Guide Plate:N2	59 - 8
D454 7103	Decal:Knob:N3	3 - 15

Part No.	Description	Page and Index No.
D454 7104	Decal:Guide Plate:N4	11 - 6
D454 7105	Decal:Knob:N5	3 - 14
D454 7106	Decal:Knob:N6	15 - 10
D454 7107	Decal:Guide Plate:N7	13 - 20
D454 7108	Decal:Knob:N8	15 - 3
D454 7109	Decal:Grip:N9	15 - 11
D454 7110	Decal:Guide Plate:N10	17 - 22
D454 7111	Decal:Knob:N11	15 - 4
D454 7112	Decal:Guide Plate:N12	25 - 4
D454 7113	Decal:Lever:N13	15 - 14
D454 7114	Decal:Lever:N14	33 - 1
D454 7115	Decal:Guide Plate:N15	23 - 3
D454 7116	Decal:Knob:N16	15 - 15
D454 7117	Decal:Guide Plate:N17	41 - 13
D454 7118	Decal:Guide Plate:N18	43 - 25
D454 7119	Decal:Knob:N19	15 - 1
D454 7120	Decal:Guide Plate:N20	45 - 4
D454 7121	Decal:Guide Plate:N21	41 - 2
D454 7122	Decal:Guide Plate:N22	51 - 13
D454 7123	Decal:Lever:Turn:N13	15 - 13
D454 7124	Decal:Lever:Turn:N14	15 - 12
D454 7125	Decal:Motor:Upper	19 - 2
D454 7126	Decal:Motor:Pressure Release	19 - 25
D454 7127	Decal:Motor:Jogger	19 - 26
D454 7128	Decal:Motor:Gathering Roller	15 - 5
D454 7210	Decal:Misfeed Removal	3 - 6
D454 7522	Tray:Auxiliary:Proof Tray	3 - 20

Part No.	Description	Page and Index No.
A294 1756	Spring - Scanner Motor	53 - 9
A300 3812	Spacer - 6x22x1.5	19 - 13
A458 2251	Cushion - Bin Solenoid Lever	41 - 11
A458 2251	Cushion - Bin Solenoid Lever	17 - 15
A458 2251	Cushion - Bin Solenoid Lever	23 - 13
A458 2251	Cushion - Bin Solenoid Lever	9 - 12
A458 2251	Cushion - Bin Solenoid Lever	13 - 13
A458 3281	Idler Roller	55 - 17
A458 3281	Idler Roller	57 - 8
A458 3281	Idler Roller	19 - 19
A458 3281	Idler Roller	65 - 4
A681 4515	Bushing - 6mm	25 - 5
A697 2102	Damper - Junction Gate Solenoid	33 - 8
A697 2102	Damper - Junction Gate Solenoid	65 - 15
A697 2250	Lower Relay Guide	7 - 16
B065 3918	Toner Collection Gear Coil	19 - 10
B132 1226	Holder:Stand	69 - 19
B223 1317	Screw	21 - 12
B234 1293	Lever - Safety Switch	3 - 4
B234 1296	Plate:Magnet Catch	3 - 5
B302 1163	Grounding Plate	5 - 12
B302 1542	Timing Pulley - 20Z	65 - 11
B302 1542	Timing Pulley - 20Z	47 - 3
B302 4273	Stapler Unit Knob	19 - 1
B302 4273	Stapler Unit Knob	9 - 6
B302 4273	Stapler Unit Knob	7 - 7
B352 1607	Timing Pulley - T20-S3M	31 - 2
B352 1607	Timing Pulley - T20-S3M	21 - 2
B352 1607	Timing Pulley - T20-S3M	7 - 17
B352 1607	Timing Pulley - T20-S3M	61 - 4
B352 1607	Timing Pulley - T20-S3M	63 - 2
B352 1607	Timing Pulley - T20-S3M	47 - 5
B352 1607	Timing Pulley - T20-S3M	9 - 1
B352 1607	Timing Pulley - T20-S3M	13 - 1
B408 2175	Bushing - Roller Slide	17 - 16

Part No.	Description	Page and Index No.
B468 4671	Knob	15 - 7
B477 2826	Discharge Brush:Exit	19 - 4
B478 1172	Bracket:Coupling:Lower	69 - 8
B478 1174	Holder:Coupling:Upper	67 - 21
B478 1175	Holder:Coupling:Lower	69 - 7
B652 1673	Timing Belt:B40S3M180	31 - 20
B700 1501	Tension Spring - Pressure	25 - 14
B700 1645	Timing Pulley:20T	61 - 19
B700 1645	Timing Pulley:20T	21 - 9
B700 1802	Timing Belt:B40S2M134	25 - 19
B700 2317	Discharge Brush	61 - 15
B700 2317	Discharge Brush	11 - 12
B700 3205	Bracket:Stepper Motor:Exit	65 - 2
B700 4521	Holder:Arm:Harness	55 - 9
B700 4522	Arm:Harness:Stapler Unit	55 - 7
B700 4523	Pin:Fix:Arm	55 - 8
B700 4855	Gear Pulley:71Z/20T	29 - 13
B700 4855	Gear Pulley:71Z/20T	43 - 10
B700 4855	Gear Pulley:71Z/20T	23 - 24
B700 4877	Grip:Guide Plate	25 - 3
B700 5804	Stepper Motor:DIA42:Z17:Ass'y	43 - 5
B700 5804	Stepper Motor:DIA42:Z17:Ass'y	29 - 5
B700 5804	Stepper Motor:DIA42:Z17:Ass'y	23 - 30
B700 5804	Stepper Motor:DIA42:Z17:Ass'y	9 - 18
B700 5805	Stepper Motor:Pm:S2m:T15:Ass'y	25 - 20
B700 5805	Stepper Motor:PM:S2M:T15:Ass'y	57 - 12
B700 5805	Stepper Motor:PM:S2M:T15:Ass'y	27 - 15
B706 1156	Hexagonal Bolt - M12x30	69 - 18
B830 1135	Screw	13 - 16
B830 1135	Screw	59 - 12
B830 1135	Screw	37 - 7
B830 1135	Screw	55 - 16
B830 1135	Screw	3 - 11
B830 1135	Screw	65 - 5
B830 1135	Screw	7 - 10

Part No.	Description	Page and Index No.
B830 1135	Screw	15 - 9
B830 1135	Screw	19 - 18
B830 1135	Screw	53 - 8
B830 1135	Screw	51 - 4
B830 1135	Screw	47 - 2
B830 1135	Screw	69 - 9
B830 1135	Screw	33 - 5
B830 1135	Screw	41 - 24
B830 2141	Timing Belt - 60S3M237	57 - 7
B830 2751	Roller	9 - 22
B830 7511	Connecting Guide Plate - Lower	7 - 19
B830 7536	Coupling Bracket - Correct	3 - 19
B835 1181	Coupling Lever	69 - 10
B835 1188	Guide Plate - Upper	7 - 18
B836 1913	Timing Belt - B60S3M699	65 - 9
B889 1354	Photointerruptor:Paper Crimp	63 - 15
B889 1354	Photointerruptor:Paper Crimp	59 - 2
B890 4244	Synchronous Belt:B60S3M270	57 - 11
C101 2360	Snap Ring	39 - 1
C101 2360	Snap Ring	7 - 15
C639 3071	Tension Spring:Turn:Pressure Roller	19 - 17
C685 6661	Tapping Screr:Exterior:KM	69 - 2
D039 2676	Tension Spring:Registration	17 - 24
D355 1325	Cover:Push Switch	69 - 3
D434 1450	Bracket:Ground Plate:Ass'y	5 - 14
D434 1451	Bracket:Ground Plate	5 - 13
D434 1476	Bracket:Coupling:Main:Ass'y	3 - 18
D434 2571	Exit Roller:Proof Tray	61 - 11
D434 4777	Timing Belt:60S3M459	55 - 14
D434 5565	Bracket:Leak Breaker	69 - 12
D447 1143	Bracket:Connection:Front	13 - 7
D447 1153	Bracket:Connection:Rear	13 - 8
D447 2564	Knob:Turn	61 - 9
D447 2564	Knob:Turn	63 - 6
D447 7591	Cushion:Spacer:440mm	5 - 7

Part No.	Description	Page and Index No.
G060 5862	Cap - PSU	69 - 6
G104 5141	Knob Screw:M3	23 - 5
G104 5141	Knob Screw:M3	43 - 21
G104 5141	Knob Screw:M3	29 - 20
G894 2552	Timing Belt - 40S2M114	57 - 16
H519 4902	Stand 20mm	55 - 1

Part No.	Description	Page and Index No.
AA04 3331	Timing Belt:60S3M114	19 - 12
AA04 3604	Timing Belt:B40S2M110	27 - 14
AA04 3656	Timing Belt - 60S3M177	49 - 16
AA08 0072	Bushing - 6x10x3	23 - 9
AA08 0072	Bushing - 6x10x3	17 - 11
AA08 0346	Bushing:Flange Type:DIA6	9 - 15
AA08 2101	Bushing - 6x10x6	45 - 1
AA08 2101	Bushing - 6x10x6	41 - 23
AA08 2101	Bushing - 6x10x6	27 - 6
AA08 2101	Bushing - 6x10x6	31 - 17
AA12 0097	Antistatic Brush	11 - 13
AA14 3396	Screw - M4x4	3 - 21
AA14 3790	Screw:Contact Point	25 - 9
AA14 3807	Screw:A	3 - 9
AA14 3844	Screw:Cleaning Felt	61 - 1
AA14 3844	Screw:Cleaning Felt	63 - 3
AB03 0755	Pulley:20T:S3M	19 - 20
AB03 0763	Pulley - 30Z	27 - 13
AB03 0808	Timing Pulley - 20T	21 - 3
AF02 2147	Driven Roller	63 - 9
AF02 2147	Driven Roller	53 - 5
AF02 2147	Driven Roller	11 - 4
AF02 2147	Driven Roller	59 - 10
AF02 2147	Driven Roller	7 - 5
AF02 2147	Driven Roller	61 - 8
AF02 2147	Driven Roller	41 - 15
AF02 2147	Driven Roller	19 - 7
AF02 2177	Roller:Driven:DIA20	39 - 5
AF02 2177	Roller:Driven:Dia20	45 - 3
AF02 2177	Roller:Driven:DIA20	13 - 21
AF02 2177	Roller:Driven:DIA20	41 - 6
AG07 0513	Magnet Catch	7 - 6
AG07 0514	Magnet Catch	41 - 4
AG07 0514	Magnet Catch	43 - 24
AG07 0514	Magnet Catch	45 - 6

Part No.	Description	Page and Index No.
AG07 0514	Magnet Catch	51 - 12
AG07 0514	Magnet Catch	13 - 17
AG07 0514	Magnet Catch	11 - 5
AG07 0514	Magnet Catch	59 - 6
AG07 0514	Magnet Catch	23 - 2
AG07 0514	Magnet Catch	25 - 1
AG07 0514	Magnet Catch	7 - 2
AG07 0515	Magnet Catch:13N	23 - 6
AG07 1012	Magnet Catch:Ass'y	67 - 20
AG07 1012	Magnet Catch:Ass'y	69 - 4
AH01 2014	Caster - 60kgf	69 - 17
AH01 2014	Caster - 60kgf	15 - 2
AW01 0124	Photo Refiection Sensor:GP2A200LCS0F	39 - 7
AW01 0124	Photo Refiection Sensor:GP2A200LCS0F	11 - 10
AW02 0141	Photointerruptor	9 - 20
AW02 0141	Photointerruptor	23 - 31
AW02 0141	Photointerruptor	25 - 11
AW02 0141	Photointerruptor	21 - 8
AW02 0141	Photointerruptor	27 - 9
AW02 0141	Photointerruptor	29 - 4
AW02 0141	Photointerruptor	45 - 8
AW02 0141	Photointerruptor	31 - 22
AW02 0141	Photointerruptor	33 - 18
AW02 0141	Photointerruptor	43 - 4
AX64 0170	Fan Motor - MM60 DC24V	69 - 11
AZ25 0042	Power Supply Unit:COLUMBIA:600W:UNV-2	69 - 14
GW01 0007	Photo Reflection Sensor:Exit	17 - 27
GW01 0007	Photo Reflection Sensor:Exit	23 - 34
GW01 0007	Photo Reflection Sensor:Exit	41 - 7
GW01 0007	Photo Reflection Sensor:Exit	61 - 3
GW01 0007	Photo Reflection Sensor:Exit	11 - 9
GW01 0007	Photo Reflection Sensor:Exit	29 - 2
GW01 0007	Photo Reflection Sensor:Exit	7 - 12
GW01 0007	Photo Reflection Sensor:Exit	43 - 2
GW01 0007	Photo Reflection Sensor:Exit	9 - 7

Part No.	Description	Page and Index No.
0353 0040N	Screw - M3x4	23 - 108
0353 0040N	Screw - M3x4	41 - 103
0353 0040N	Screw - M3x4	65 - 103
0353 0060N	Bind Screw - M3x6	59 - 103
0353 0060N	Bind Screw - M3x6	63 - 103
0353 0080N	Screw:M3x8	39 - 103
0354 0140N	Screw M4x14	3 - 104
0354 0200N	Screw:M4x20	69 - 105
0450 3008N	Tapping Screw - M3x8	11 - 103
0450 3008N	Tapping Screw - M3x8	17 - 102
0450 3008N	Tapping Screw - M3x8	43 - 103
0450 3008N	Tapping Screw - M3x8	41 - 102
0450 3008N	Tapping Screw - M3x8	45 - 102
0450 3008N	Tapping Screw - M3x8	7 - 102
0450 3008N	Tapping Screw - M3x8	25 - 103
0450 3008N	Tapping Screw - M3x8	5 - 104
0450 3008N	Tapping Screw - M3x8	39 - 102
0450 3008N	Tapping Screw - M3x8	23 - 103
0450 3008N	Tapping Screw - M3x8	29 - 104
0450 4008N	Tapping Screw - M4x8	59 - 102
0450 4008N	Tapping Screw - M4x8	5 - 105
0450 4008N	Tapping Screw - M4x8	3 - 103
0451 3006N	Tapping Screw - 3x6	19 - 102
0451 3006N	Tapping Screw - 3x6	57 - 102
0451 3006N	Tapping Screw - 3x6	21 - 102
0451 3006N	Tapping Screw - 3x6	55 - 115
0451 3006N	Tapping Screw - 3x6	61 - 102
0451 3006N	Tapping Screw - 3x6	5 - 102
0451 3006N	Tapping Screw - 3x6	67 - 102
0451 3006N	Tapping Screw - 3x6	65 - 102
0451 3006N	Tapping Screw - 3x6	63 - 102
0451 3006N	Tapping Screw - 3x6	9 - 103
0451 3006N	Tapping Screw - 3x6	11 - 102
0451 3008N	Tapping Screw - M3x8	15 - 101
0451 3008N	Tapping Screw - M3x8	5 - 103

Part No.	Description	Page and Index No.
0451 3008N	Tapping Screw - M3x8	59 - 106
0451 3010N	Tapping Screw:3x10	55 - 104
0451 3012N	Tapping Screw:3x12	55 - 105
0451 3030N	Tapping Screw:3x30	69 - 104
0451 4006N	Tapping Screw - 4x6	57 - 104
0454 3006Q	Tapping Screw - M3x6	55 - 101
0454 3006Q	Tapping Screw - M3x6	25 - 101
0454 3006Q	Tapping Screw - M3x6	27 - 101
0454 3006Q	Tapping Screw - M3x6	29 - 101
0454 3006Q	Tapping Screw - M3x6	69 - 101
0454 3006Q	Tapping Screw - M3x6	31 - 101
0454 3006Q	Tapping Screw - M3x6	59 - 101
0454 3006Q	Tapping Screw - M3x6	33 - 101
0454 3006Q	Tapping Screw - M3x6	35 - 101
0454 3006Q	Tapping Screw - M3x6	37 - 101
0454 3006Q	Tapping Screw - M3x6	39 - 101
0454 3006Q	Tapping Screw - M3x6	51 - 101
0454 3006Q	Tapping Screw - M3x6	67 - 101
0454 3006Q	Tapping Screw - M3x6	41 - 101
0454 3006Q	Tapping Screw - M3x6	53 - 101
0454 3006Q	Tapping Screw - M3x6	65 - 101
0454 3006Q	Tapping Screw - M3x6	43 - 101
0454 3006Q	Tapping Screw - M3x6	57 - 101
0454 3006Q	Tapping Screw - M3x6	61 - 101
0454 3006Q	Tapping Screw - M3x6	45 - 101
0454 3006Q	Tapping Screw - M3x6	63 - 101
0454 3006Q	Tapping Screw - M3x6	47 - 101
0454 3006Q	Tapping Screw - M3x6	49 - 101
0454 3006Q	Tapping Screw - M3x6	3 - 101
0454 3006Q	Tapping Screw - M3x6	5 - 101
0454 3006Q	Tapping Screw - M3x6	7 - 101
0454 3006Q	Tapping Screw - M3x6	9 - 101
0454 3006Q	Tapping Screw - M3x6	11 - 101
0454 3006Q	Tapping Screw - M3x6	13 - 101
0454 3006Q	Tapping Screw - M3x6	15 - 102

Part No.	Description	Page and Index No.
0454 3006Q	Tapping Screw - M3x6	17 - 101
0454 3006Q	Tapping Screw - M3x6	19 - 101
0454 3006Q	Tapping Screw - M3x6	21 - 101
0454 3006Q	Tapping Screw - M3x6	23 - 101
0454 3008Q	Tapping Screw:3x8	23 - 102
0454 3008Q	Tapping Screw:3x8	3 - 102
0454 3008Q	Tapping Screw:3x8	15 - 103
0454 3008Q	Tapping Screw:3x8	55 - 102
0454 3008Q	Tapping Screw:3x8	43 - 102
0454 3008Q	Tapping Screw:3x8	25 - 102
0454 3008Q	Tapping Screw:3x8	29 - 103
0454 4008Q	Tapping Screw - M4x8	55 - 103
0454 4008Q	Tapping Screw - M4x8	15 - 104
0454 4008Q	Tapping Screw - M4x8	69 - 102
0454 4008Q	Tapping Screw - M4x8	57 - 103
0633 0140G	Parallel Pin - 3x14	31 - 103
0633 0140G	Parallel Pin - 3x14	37 - 105
0633 0140G	Parallel Pin - 3x14	33 - 103
0633 0140G	Parallel Pin - 3x14	53 - 103
0633 0140G	Parallel Pin - 3x14	49 - 104
0633 0140G	Parallel Pin - 3x14	35 - 103
0720 0030E	Retaining Ring - M3	17 - 103
0720 0030E	Retaining Ring - M3	61 - 104
0720 0040E	Retaining Ring - M4	7 - 104
0720 0040E	Retaining Ring - M4	57 - 107
0720 0040E	Retaining Ring - M4	37 - 106
0720 0040E	Retaining Ring - M4	65 - 104
0720 0040E	Retaining Ring - M4	9 - 105
0720 0040E	Retaining Ring - M4	19 - 104
0720 0040E	Retaining Ring - M4	41 - 105
0720 0040E	Retaining Ring - M4	25 - 105
0720 0040E	Retaining Ring - M4	63 - 104
0720 0040E	Retaining Ring - M4	21 - 106
0720 0040E	Retaining Ring - M4	47 - 103
0720 0040E	Retaining Ring - M4	13 - 105

Part No.	Description	Page and Index No.
0720 0040E	Retaining Ring - M4	61 - 105
0720 0040E	Retaining Ring - M4	33 - 105
0720 0040E	Retaining Ring - M4	31 - 105
0720 0060E	Retaining Ring - M6	19 - 106
0720 0060E	Retaining Ring - M6	47 - 104
0720 0060E	Retaining Ring - M6	57 - 105
0720 0060E	Retaining Ring - M6	49 - 105
0720 0060E	Retaining Ring - M6	53 - 104
0720 0060E	Retaining Ring - M6	55 - 107
0720 0060E	Retaining Ring - M6	33 - 106
0720 0060E	Retaining Ring - M6	35 - 105
0720 0060E	Retaining Ring - M6	65 - 105
0741 3506	Ball Bearing - 6x12x4 mm	47 - 102
0741 3506	Ball Bearing - 6x12x4 mm	19 - 105
0741 3506	Ball Bearing - 6x12x4 mm	31 - 102
0741 3506	Ball Bearing - 6x12x4 mm	13 - 103
0741 3506	Ball Bearing - 6x12x4 mm	7 - 103
0741 3506	Ball Bearing - 6x12x4 mm	9 - 104
0741 3506	Ball Bearing - 6x12x4 mm	39 - 105
0741 3506	Ball Bearing - 6x12x4 mm	63 - 105
0741 3506	Ball Bearing - 6x12x4 mm	21 - 104
0741 3506	Ball Bearing - 6x12x4 mm	61 - 103
0741 3708	Ball Bearing - 8x12x3.5mm	37 - 104
0742 3808	Ball Bearing - 8x16x5	53 - 102
0802 5305	Tapping Screw - M3x6	43 - 105
0802 5305	Tapping Screw - M3x6	23 - 104
0802 5305	Tapping Screw - M3x6	33 - 102
0802 5305	Tapping Screw - M3x6	29 - 102
0802 5305	Tapping Screw - M3x6	9 - 102
0802 5305	Tapping Screw - M3x6	21 - 103
0802 5305	Tapping Screw - M3x6	13 - 102
0802 5305	Tapping Screw - M3x6	27 - 102
0804 6123	Hexagonal Bolt:W/Washer:M3x8	69 - 103
0805 0088	Retaining Ring - M6	49 - 103
0805 0088	Retaining Ring - M6	33 - 104

Part No.	Description	Page and Index No.
0805 0088	Retaining Ring - M6	37 - 102
0805 0088	Retaining Ring - M6	55 - 106
0805 0088	Retaining Ring - M6	35 - 102
0805 0089	Retaining Ring - M4	25 - 104
0805 0089	Retaining Ring - M4	9 - 106
0805 0089	Retaining Ring - M4	59 - 104
0805 0089	Retaining Ring - M4	57 - 106
0805 0089	Retaining Ring - M4	7 - 105
0805 0089	Retaining Ring - M4	13 - 104
0805 0089	Retaining Ring - M4	27 - 103
0805 0089	Retaining Ring - M4	39 - 104
0805 0089	Retaining Ring - M4	19 - 103
0805 0089	Retaining Ring - M4	23 - 105
0805 0089	Retaining Ring - M4	41 - 104
0805 0089	Retaining Ring - M4	29 - 105
0805 0089	Retaining Ring - M4	45 - 103
0805 0089	Retaining Ring - M4	17 - 104
0805 0089	Retaining Ring - M4	49 - 102
0805 0089	Retaining Ring - M4	43 - 104
0805 0089	Retaining Ring - M4	21 - 105
0805 0089	Retaining Ring - M4	37 - 103
0805 0089	Retaining Ring - M4	35 - 106
0805 0089	Retaining Ring - M4	31 - 104
0805 0092	Retaining Ring - 3M	17 - 105
0805 0092	Retaining Ring - 3M	35 - 104
0951 3006N	Screw - M3x6	37 - 107
0951 3006N	Screw - M3x6	35 - 107
0951 3006N	Screw - M3x6	23 - 109
0954 4008N	Screw - M4x8	69 - 109
1102 8502	Connector - 54679-1615	67 - 103
1105 0193	Nylon Stud	67 - 108
1105 0488	Harness Clamp	67 - 105
1105 0488	Harness Clamp	55 - 110
1105 0488	Harness Clamp	65 - 106
1105 0490	Harness Clamp - IWS-2218	55 - 112

Part No.	Description	Page and Index No.
1105 0516	Clamp	55 - 109
1105 0516	Clamp	9 - 107
1105 0516	Clamp	67 - 109
1105 0516	Clamp	57 - 108
1105 0517	Harness Clamp - LWS-2111Z	55 - 111
1105 0517	Harness Clamp - LWS-2111Z	67 - 110
1105 0518	Edge Saddle - LES-1010	55 - 113
1105 0518	Edge Saddle - LES-1010	67 - 107
1105 0518	Edge Saddle - LES-1010	57 - 109
1105 0522	Edge Saddle - LES0510	25 - 106
1105 0522	Edge Saddle - LES0510	67 - 104
1105 0522	Edge Saddle - LES0510	23 - 106
1105 0522	Edge Saddle - LES0510	61 - 106
1105 0522	Edge Saddle - LES0510	55 - 108
1105 0623	Clamp - LBWS-0206S-V0	67 - 106
1105 0623	Clamp - LBWS-0206S-V0	29 - 106
1105 0623	Clamp - LBWS-0206S-V0	65 - 107
1105 0623	Clamp - LBWS-0206S-V0	23 - 107
1105 0623	Clamp - LBWS-0206S-V0	43 - 106
1105 0623	Clamp - LBWS-0206S-V0	55 - 116
1105 0623	Clamp - LBWS-0206S-V0	27 - 104
1105 0623	Clamp - LBWS-0206S-V0	7 - 106
1105 0623	Clamp - LBWS-0206S-V0	39 - 107
1105 0623	Clamp - LBWS-0206S-V0	17 - 106
1105 0623	Clamp - LBWS-0206S-V0	61 - 107
1105 0623	Clamp - LBWS-0206S-V0	9 - 108
1105 0623	Clamp - LBWS-0206S-V0	41 - 107
1105 0623	Clamp - LBWS-0206S-V0	57 - 110
1105 0623	Clamp - LBWS-0206S-V0	59 - 105
1105 0692	Clamp:LES-0503	55 - 114
1105 0692	Clamp:LES-0503	65 - 108
1105 0692	Clamp:LES-0503	33 - 107
1105 0692	Clamp:LES-0503	41 - 106
1105 0692	Clamp:LES-0503	39 - 106
1106 0241	Bushing - 6.7mm	69 - 107

Part No.	Description	Page and Index No.
1107 1280	Fuse:BJ51512F2	69 - 106
1150 0373	Power Supply Code:125V 15A NA	3 - 105
1204 2839	Switch:FA3L-CA23	69 - 108

Part No.	Description	Page and Index No.
5053 0447	Bushing - 6mm	9 - 4
5053 0447	Bushing - 6mm	13 - 4
5206 2686	Snap Ring	17 - 2
5206 2686	Snap Ring	55 - 10
5215 2621	Snap Ring - M6	11 - 7
5447 2681	Snap Ring	23 - 7
5447 2681	Snap Ring	27 - 1
5447 2681	Snap Ring	29 - 18
5447 2681	Snap Ring	43 - 17