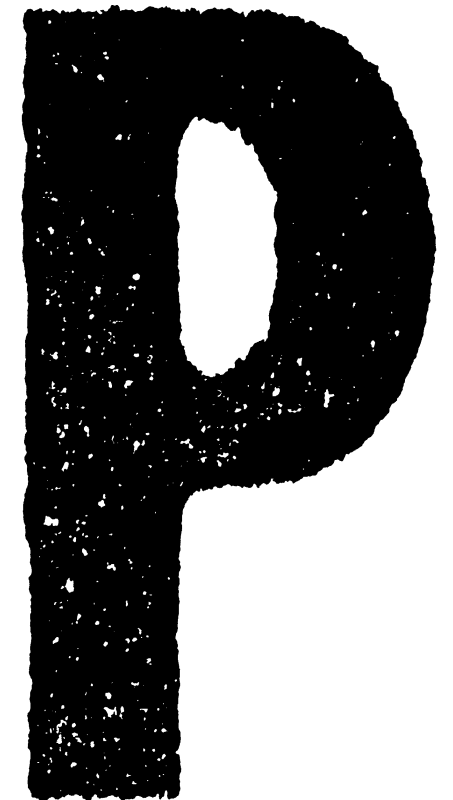


SERVICE PARTS LIST

Decurl Unit

DU5000



Decurl Unit DU5000 (D457)

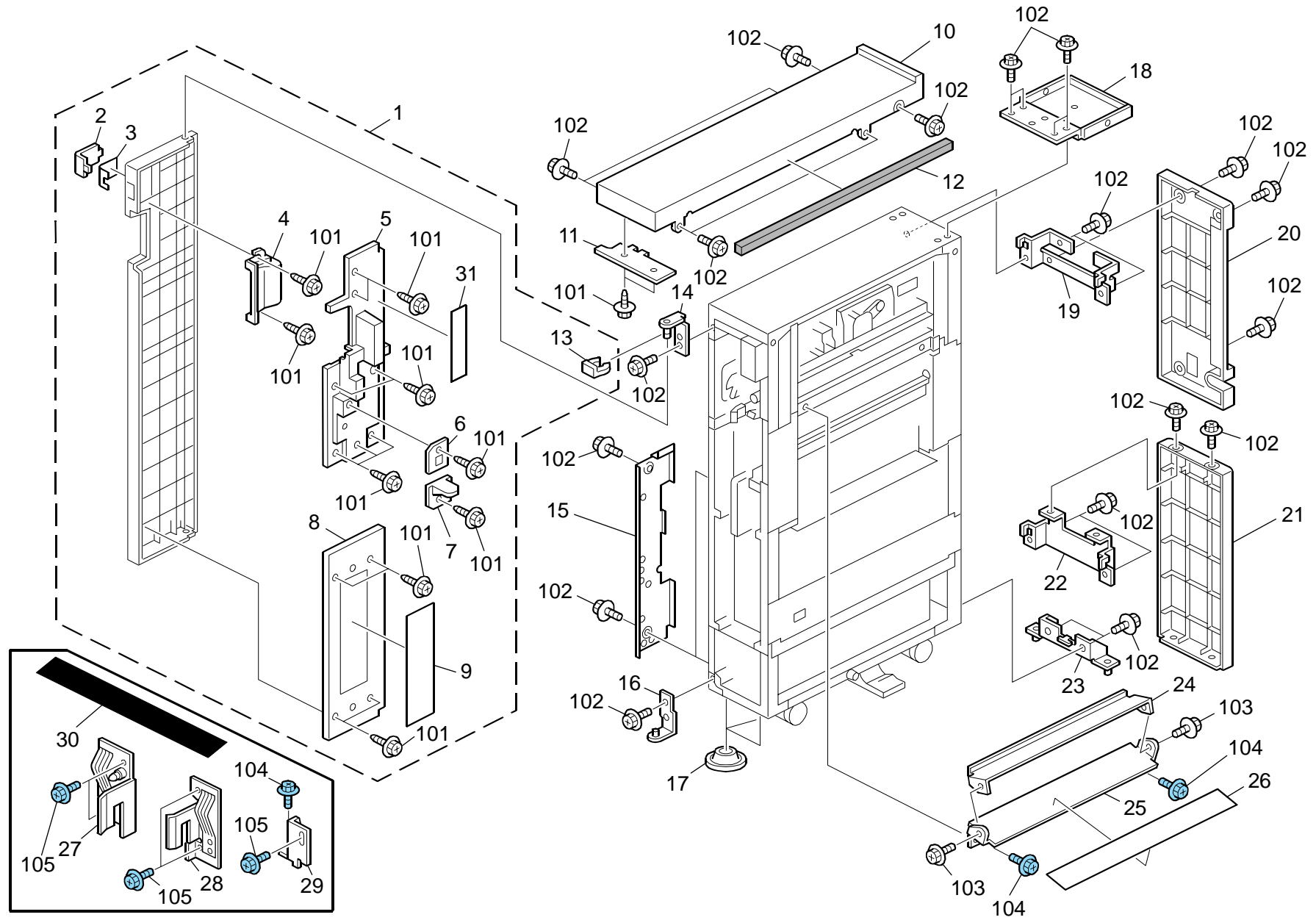
PARTS CATALOG

This catalog gives the numbers and names of parts on this machine.

1.Exterior 1 (D457).....	2
2.Exterior 2 (D457).....	4
3.Decurl Section 1 (D457).....	6
4.Decurl Section 2 (D457).....	8
5.Frame Section 1 (D457).....	10
6.Frame Section 2 (D457).....	12
Parts Index	16

July 20, 2010

1.Exterior 1 (D457)

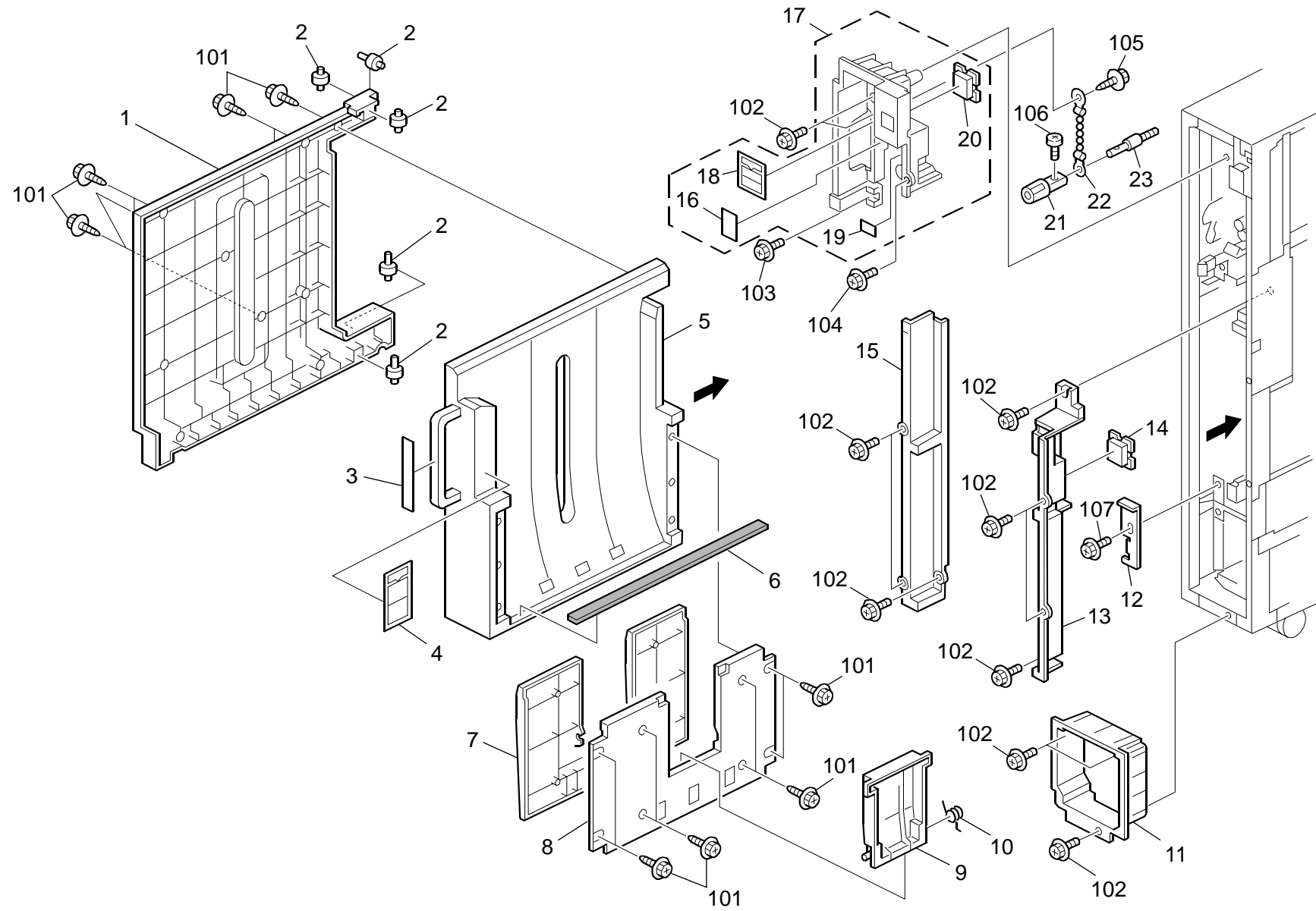


1.Exterior 1 (D457)

Index No.	Part No.	Description	Q'ty Per Assembly
1	D457 1221	Cover:Door:Ass'y	1
2	D457 1255	Cover:Door:LED	1
3	D457 1256	Sheet:Paper Jam	1
4	D457 1266	Cover:Front:Grip	1
5	D457 1254	Inner Cover:Cover:Front Upper	1
6	B234 1296	Plate:Magnet Catch	1
7	D355 1333	Shielding Plate:Safety Switch:Door	1
8	D457 1265	Inner Cover:Cover:Front Lower	1
9	D457 1257	Decal:Operate:Pick-up Paper Jam:Roller	1
10	D457 1252	Cover:Upper	1
11	B835 1278	Cap - Upper Cover	1
12	B706 7531	Cushion:Spacer	1
13	5447 2681	Snap Ring	1
14	B835 1098	Cover Hinge - Upper	1
15	D457 1251	Cover:Left	2
16	D457 1091	Hinge:Lower:Peen	1
17	B132 1226	Holder:Stand	3
18	D457 1061	Bracket:Cover:Upper	1
19	B835 1084	Stay:Rear Upper	1
20	B835 1261	Cover - Rear Upper	1
21	B835 1258	Cover - Front Lower	1
22	B835 1072	Stay:Cover:Front Middle	1
23	B835 1068	Stay Cover - Front Lower	1
24	B835 1188	Guide Plate - Upper	1
25	B830 7511	Connecting Guide Plate - Lower	1
26	D457 3961	Sheet:Guide Plate:Entrance	1
27	D457 1105	Bracket:Coupling:Rear	1
28	D457 1102	Bracket:Coupling:Front	1
29	D457 1099	Bracket:Coupling:Fix:2	1
30	B835 3998	Seal - Block Light	1
31	D457 1267	Decal:Operate:Roller	1

Index No.	Part No.	Description	Q'ty Per Assembly
101	0450 4008N	Tapping Screw - M4x8	
102	0451 4008N	Tapping Screw:4x8	
103	0451 3006N	Tapping Screw - 3x6	
104	0454 3006Q	Tapping Screw - M3x6	
105	0454 4008Q	Tapping Screw - M4x8	

2.Exterior 2 (D457)

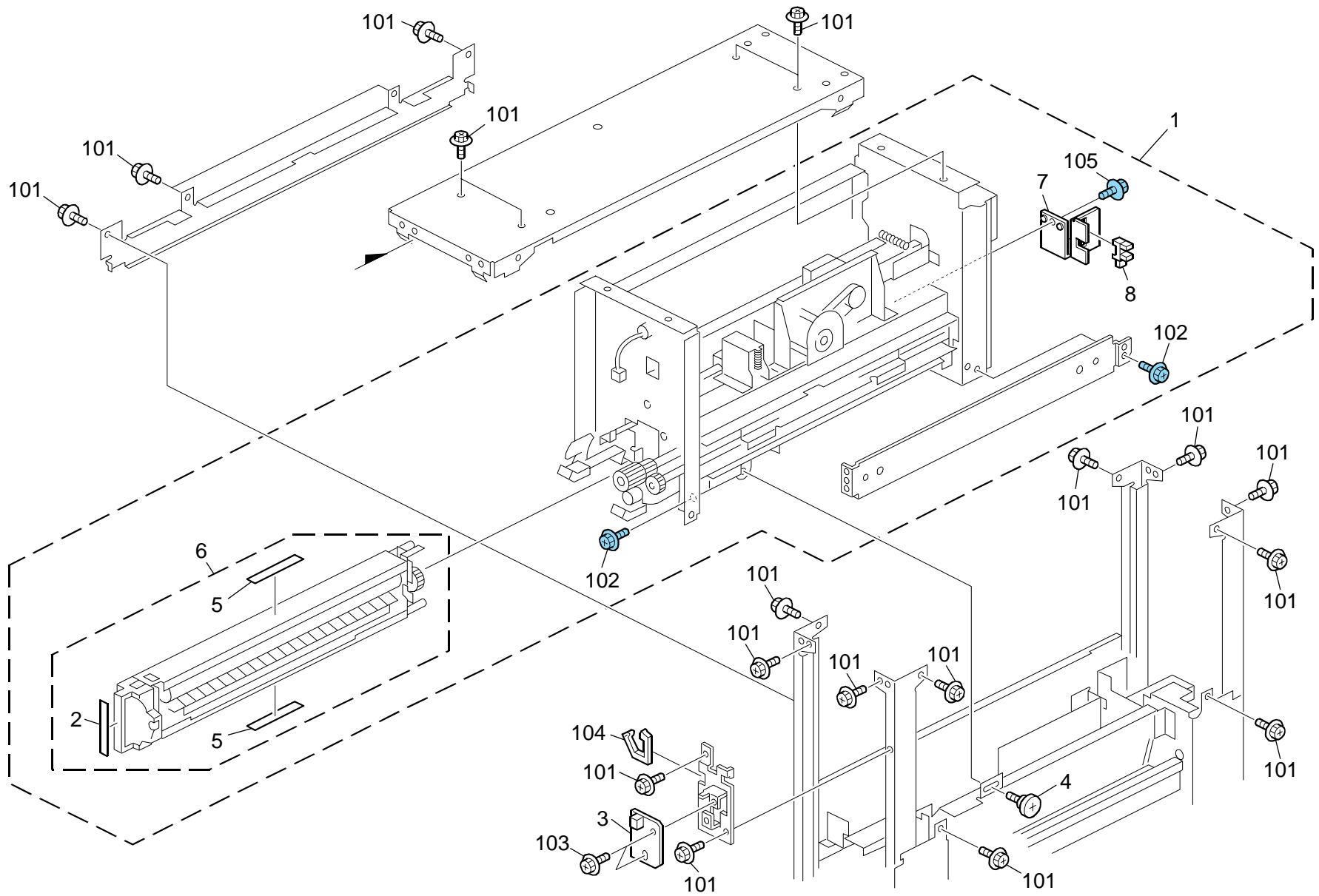


2.Exterior 2 (D457)

Index No.	Part No.	Description	Q'ty Per Assembly
1	D457 4452	Cover:Tray:Purge:Left	1
2	A232 2987	Roller - Paper Tray	5
3	D457 1285	Decal:Operate:K5	1
4	D457 4458	Decal:Operate:Pick-up Paper Jam:Tray	1
5	D457 4451	Tray:Purge	1
6	D457 4457	Cushion:Spacer:Tray	1
7	D457 4453	Cover:Tray:Purge:Middle	1
8	D457 4454	Cover:Tray:Purge:Right	1
9	D457 4455	Cover:Tray:Purge:Open And Close	1
10	D457 4456	Torsion Spring:Purge	1
11	D457 1261	Inner Cover:Lower	1
12	D457 1066	Stopper:Tray	1
13	D457 1263	Inner Cover:Right Lower	1
14	D457 1264	Cover:LED:Printing	1
15	D457 1262	Inner Cover:Lower Left	1
16	D457 1283	Decal:Operate:K3	1
17	D457 1231	Inner Cover:Upper:Sub-ass'y	1
18	D457 1286	Decal:Screw:Fix	1
19	D457 1281	Decal:Operate:K1	1
20	D457 1259	Cover:LED	1
21	D457 3959	Grip:Knob Screw	1
22	D457 3958	Joint:Chain:Knob Screw	1
23	D457 3604	Knob Screw	1

Index No.	Part No.	Description	Q'ty Per Assembly
101	0450 4010N	Tapping Screw:M4x10	
102	0451 4008N	Tapping Screw:4x8	
103	0454 4008N	Tapping Screw:Round Point:4x8	
104	0453 4008N	Binding Self Tapping Screw:4x8	
105	0450 4008N	Tapping Screw - M4x8	
106	0353 0060N	Bind Screw - M3x6	
107	0360 4008N	Screw - M4x8	

3.Decurl Section 1 (D457)

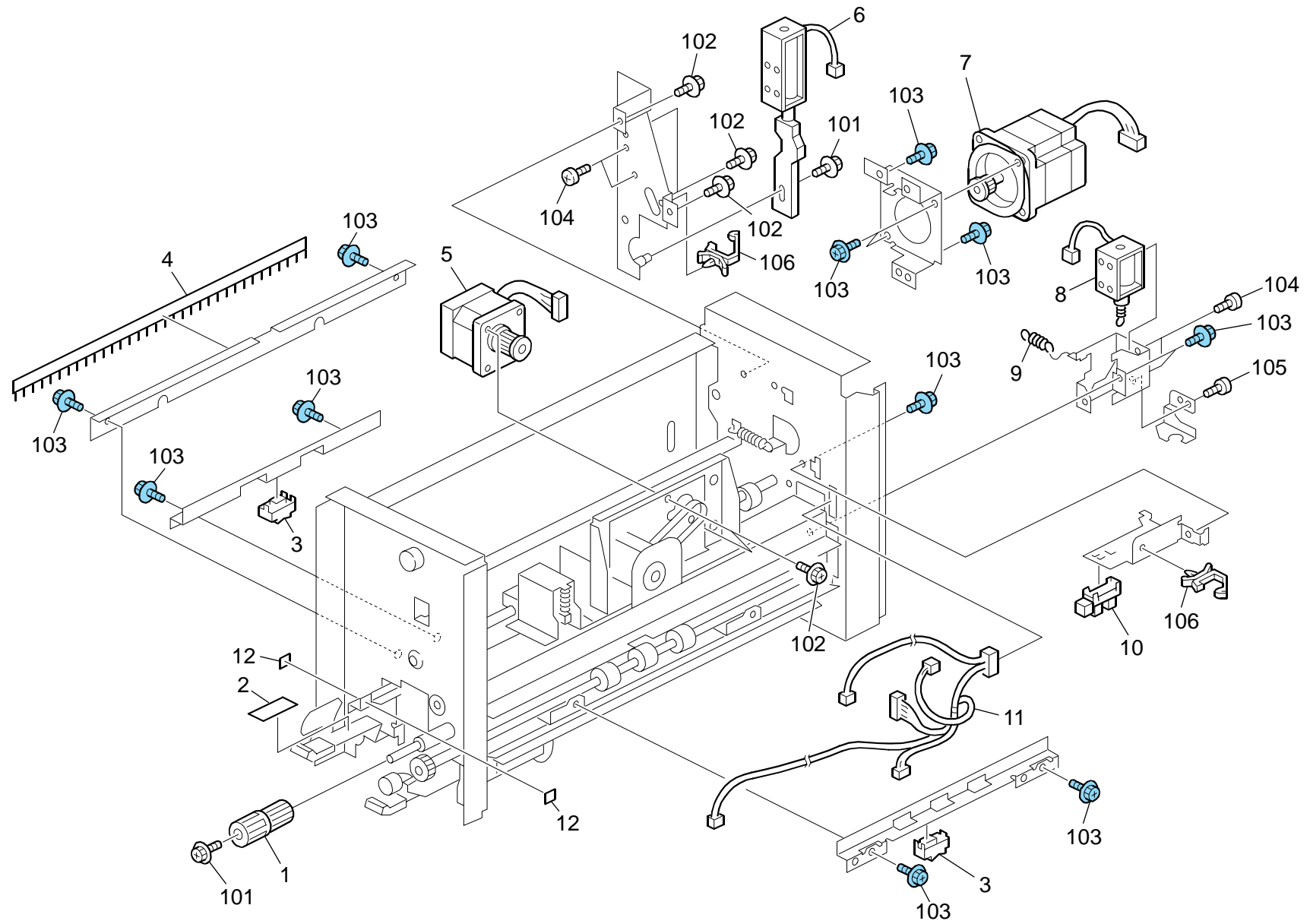


3.Decurl Section 1 (D457)

Index No.	Part No.	Description	Q'ty Per Assembly
1	D457 0191	Transport Section:Decura Unit	1
2	D457 3641	Decal:Operate:Roller:Upper Lower	1
3	D457 5273	PCB:JAB	1
4	C261 2844	Screw:Separation Unit	1
5	B065 6545	Decal - Positioning	2
6	D457 3501	Roller:Decura:Ass'y	1
7	D457 4233	Bracket:Sensor:Roller	1
8	AW02 0145	Photointerruptor:Flat	1

Index No.	Part No.	Description	Q'ty Per Assembly
101	0451 4008N	Tapping Screw:4x8	
102	0454 4008Q	Tapping Screw - M4x8	
103	0451 3006N	Tapping Screw - 3x6	
104	1105 0522	Edge Saddle - LES0510	
105	0454 3006Q	Tapping Screw - M3x6	

4.Decurl Section 2 (D457)

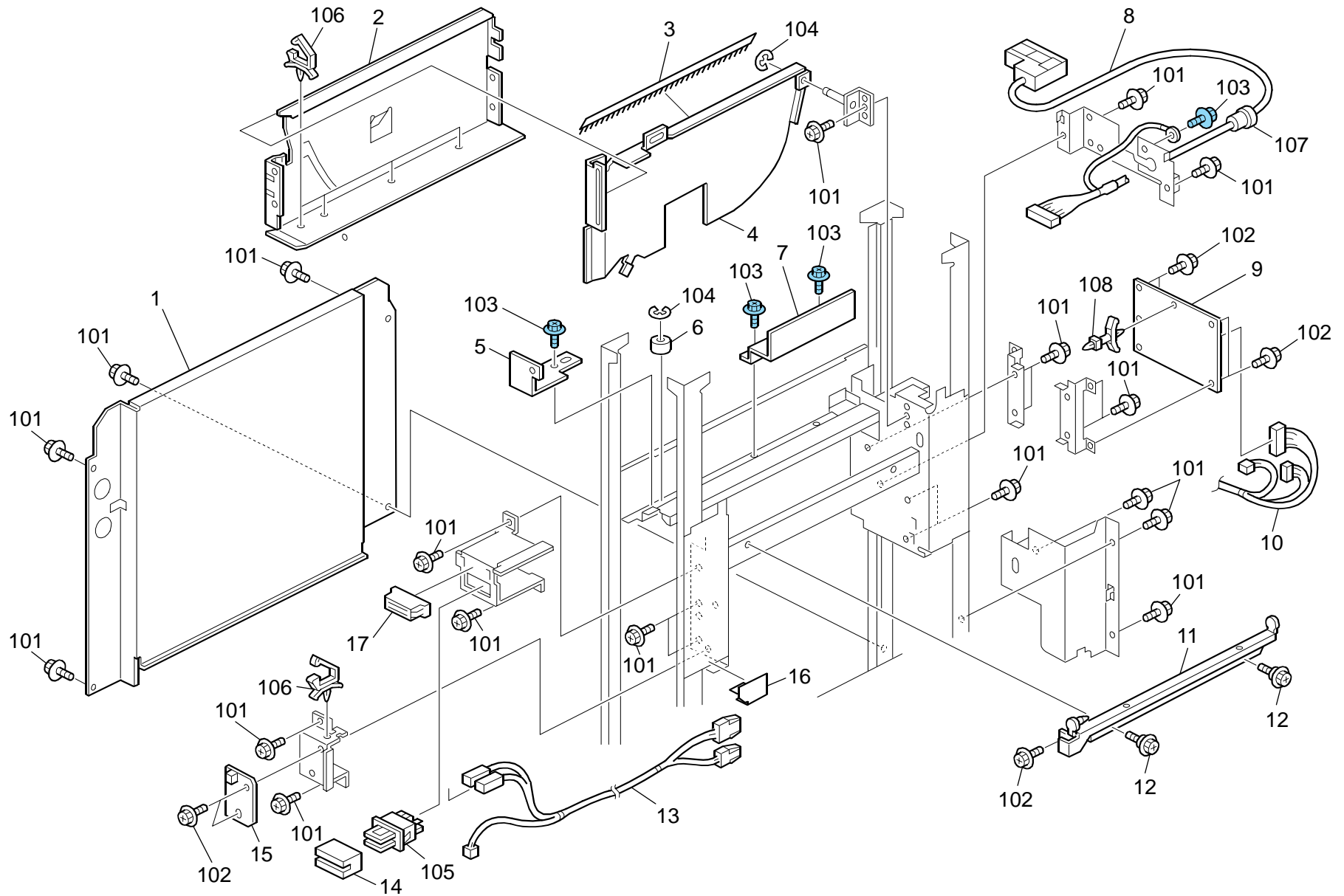


4.Decurl Section 2 (D457)

Index No.	Part No.	Description	Q'ty Per Assembly
1	D355 3846	Knob: Misfeed Removal	1
2	D457 1284	Decal: Operate: K4	1
3	AW01 0122	Paper Feed Sensor	2
4	AA12 0139	Discharge Brush: Exit	1
5	AX04 0176	Stepper Motor: DC 3.7W	1
6	D457 4107	DC Solenoid: Guide Plate: Link: Ass'y	1
7	D457 4110	DC Stepper Motor: DC 4.6W	1
8	D457 4102	DC Solenoid: Gate Pawl: Tension Spring: Ass'y	1
9	B387 2375	Pickup Spring	1
10	AW02 0145	Photointerruptor: Flat	1
11	D457 5285	Harness: Upper Middle	1
12	D457 3962	Seal: Operate: Lever	2

Index No.	Part No.	Description	Q'ty Per Assembly
101	0360 4006N	Screw - M4x6	
102	0360 3006N	Screw - M3x6	
103	0454 4008Q	Tapping Screw - M4x8	
104	0353 0040N	Screw - M3x4	
105	0353 0050N	Screw-M3x5	
106	1105 0511	Harness Clamp - LWS-0306ZC	

5.Frame Section 1 (D457)

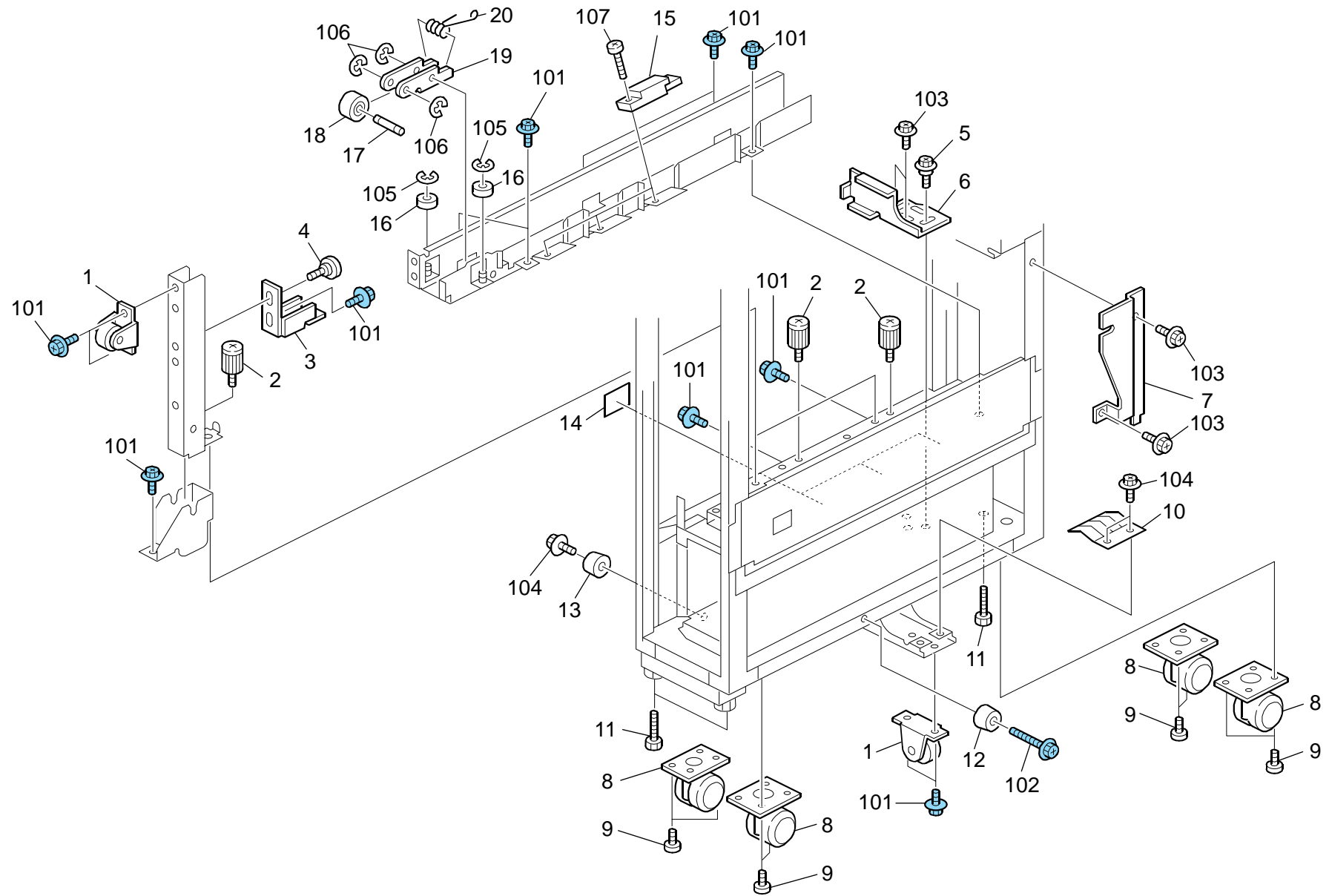


5.Frame Section 1 (D457)

Index No.	Part No.	Description	Q'ty Per Assembly
1	D457 1901	Cover:Frame:Decura	1
2	D457 1083	Guide Plate:Lower	1
3	B793 4808	Discharge Brush:Exit	1
4	D457 1084	Guide Plate:Front:Open And Close	1
5	D457 1087	Bracket:Inner Cover	1
6	G178 3516	Roller:Pressure	1
7	D457 1088	Guide Plate:Rear	1
8	D457 5289	Cable:Interface	1
9	D457 5271	PCB:DIB	1
10	D457 5283	Harness:Rear	1
11	B835 1181	Coupling Lever	1
12	AA14 3790	Screw:Contact Point	2
13	D457 5282	Harness:Lower Middle	1
14	D355 1325	Cover:Push Switch	1
15	D457 5273	PCB:JAB	1
16	D457 1904	Sheet:Side Plate:Block Light	1
17	AG07 1012	Magnet Catch:Ass'y	1

Index No.	Part No.	Description	Q'ty Per Assembly
101	0451 4008N	Tapping Screw:4x8	
102	0451 3006N	Tapping Screw - 3x6	
103	0454 4006Q	Tapping Screw:4x6	
104	0720 0040E	Retaining Ring - M4	
105	1204 2382	Interlock Switch - FA1L-CA22	
106	1105 0511	Harness Clamp - LWS-0306ZC	
107	1106 0250	Bushing:SR-6N-4	
108	1105 0289	Locking Support-KGLS-12S	

6.Frame Section 2 (D457)



6.Frame Section 2 (D457)

Index No.	Part No.	Description	Q'ty Per Assembly
1	D353 1092	Caster:DIA25H33	3
2	G568 6220	Fixing Screw	4
3	D457 1069	Bracket:Stay:Caster	2
4	C244 2451	Screw:Transfer/Separation	2
5	B700 4867	Screw:Contact Point:M3	1
6	D457 1045	Bracket:Coupling	1
7	D457 1903	Cover:Right:Side Plate:Rear	1
8	AH01 2014	Caster - 60KGF	4
9	A507 1096	Philips Screw - M5x6	8
10	B302 1163	Grounding Plate	1
11	AA14 3798	Hexagonal Bolt:M12x35	3
12	5446 2560	Cushion - Paper Tray	1
13	G024 1007	Rubber Foot - 23MM	1
14	D457 1074	Seal:Reflection Polarizing Plate	3
15	AW01 0127	Paper Feed Sensor	3
16	G178 3516	Roller:Pressure	2
17	G363 1105	Detent Roller Shaft	1
18	D355 1196	Roller:Detent	1
19	D355 1198	Bracket:Detent	1
20	D355 1195	Torsion Spring:Detent:8N	1

Index No.	Part No.	Description	Q'ty Per Assembly
101	0454 4006Q	Tapping Screw:4x6	
102	0454 4010Q	Tapping Screw:4x10	
103	0451 4008N	Tapping Screw:4x8	
104	0451 3006N	Tapping Screw - 3x6	
105	0720 0040E	Retaining Ring - M4	
106	0720 0030E	Retaining Ring - M3	
107	0353 0100N	Screw-M3x10	

Parts Index

Parts Index

Part No.	Description	Page and Index No.
D457 0191	Transport Section:Decura Unit	7 - 1
D457 1045	Bracket:Coupling	13 - 6
D457 1061	Bracket:Cover:Upper	3 - 18
D457 1066	Stopper:Tray	5 - 12
D457 1069	Bracket:Stay:Caster	13 - 3
D457 1074	Seal:Reflection Polarizing Plate	13 - 14
D457 1083	Guide Plate:Lower	11 - 2
D457 1084	Guide Plate:Front:Open And Close	11 - 4
D457 1087	Bracket:Inner Cover	11 - 5
D457 1088	Guide Plate:Rear	11 - 7
D457 1091	Hinge:Lower:Peen	3 - 16
D457 1099	Bracket:Coupling:Fix:2	3 - 29
D457 1102	Bracket:Coupling:Front	3 - 28
D457 1105	Bracket:Coupling:Rear	3 - 27
D457 1221	Cover:Door:Ass'y	3 - 1
D457 1231	Inner Cover:Upper:Sub-ass'y	5 - 17
D457 1251	Cover:Left	3 - 15
D457 1252	Cover:Upper	3 - 10
D457 1254	Inner Cover:Cover:Front Upper	3 - 5
D457 1255	Cover:Door:LED	3 - 2
D457 1256	Sheet:Paper Jam	3 - 3
D457 1257	Decal:Operate:Pick-up Paper Jam:Roller	3 - 9
D457 1259	Cover:LED	5 - 20
D457 1261	Inner Cover:Lower	5 - 11
D457 1262	Inner Cover:Lower Left	5 - 15
D457 1263	Inner Cover:Right Lower	5 - 13
D457 1264	Cover:LED:Printing	5 - 14
D457 1265	Inner Cover:Cover:Front Lower	3 - 8
D457 1266	Cover:Front:Grip	3 - 4
D457 1267	Decal:Operate:Roller	3 - 31
D457 1281	Decal:Operate:K1	5 - 19
D457 1283	Decal:Operate:K3	5 - 16
D457 1284	Decal:Operate:K4	9 - 2
D457 1285	Decal:Operate:K5	5 - 3
D457 1286	Decal:Screw:Fix	5 - 18

Part No.	Description	Page and Index No.
D457 1901	Cover:Frame:Decura	11 - 1
D457 1903	Cover:Right:Side Plate:Rear	13 - 7
D457 1904	Sheet:Side Plate:Block Light	11 - 16
D457 3501	Roller:Decura:Ass'y	7 - 6
D457 3604	Knob Screw	5 - 23
D457 3641	Decal:Operate:Roller:Upper Lower	7 - 2
D457 3958	Joint:Chain:Knob Screw	5 - 22
D457 3959	Grip:Knob Screw	5 - 21
D457 3961	Sheet:Guide Plate:Entrance	3 - 26
D457 3962	Seal:Operate:Lever	9 - 12
D457 4102	DC Solenoid:Gate Pawl:Tension Spring:Ass'y	9 - 8
D457 4107	DC Solenoid:Guide Plate:Link:Ass'y	9 - 6
D457 4110	DC Stepper Motor:DC 4.6W	9 - 7
D457 4233	Bracket:Sensor:Roller	7 - 7
D457 4451	Tray:Purge	5 - 5
D457 4452	Cover:Tray:Purge:Left	5 - 1
D457 4453	Cover:Tray:Purge:Middle	5 - 7
D457 4454	Cover:Tray:Purge:Right	5 - 8
D457 4455	Cover:Tray:Purge:Open And Close	5 - 9
D457 4456	Torsion Spring:Purge	5 - 10
D457 4457	Cushion:Spacer:Tray	5 - 6
D457 4458	Decal:Operate:Pick-up Paper Jam:Tray	5 - 4
D457 5271	PCB:DIB	11 - 9
D457 5273	PCB:JAB	11 - 15
D457 5273	PCB:JAB	7 - 3
D457 5282	Harness:Lower Middle	11 - 13
D457 5283	Harness:Rear	11 - 10
D457 5285	Harness:Upper Middle	9 - 11
D457 5289	Cable:Interface	11 - 8

Part No.	Description	Page and Index No.
A232 2987	Roller - Paper Tray	5 - 2
A507 1096	Philips Screw - M5x6	13 - 9
B065 6545	Decal - Positioning	7 - 5
B132 1226	Holder:Stand	3 - 17
B234 1296	Plate:Magnet Catch	3 - 6
B302 1163	Grounding Plate	13 - 10
B387 2375	Pickup Spring	9 - 9
B700 4867	Screw:Contact Point:M3	13 - 5
B706 7531	Cushion:Spacer	3 - 12
B793 4808	Discharge Brush:Exit	11 - 3
B830 7511	Connecting Guide Plate - Lower	3 - 25
B835 1068	Stay Cover - Front Lower	3 - 23
B835 1072	Stay:Cover:Front Middle	3 - 22
B835 1084	Stay:Rear Upper	3 - 19
B835 1098	Cover Hinge - Upper	3 - 14
B835 1181	Coupling Lever	11 - 11
B835 1188	Guide Plate - Upper	3 - 24
B835 1258	Cover - Front Lower	3 - 21
B835 1261	Cover - Rear Upper	3 - 20
B835 1278	Cap - Upper Cover	3 - 11
B835 3998	Seal - Block Light	3 - 30
C244 2451	Screw:Transfer/Separation	13 - 4
C261 2844	Screw:Separation Unit	7 - 4
D353 1092	Caster:DIA25H33	13 - 1
D355 1195	Torsion Spring:Detent:8N	13 - 20
D355 1196	Roller:Detent	13 - 18
D355 1198	Bracket:Detent	13 - 19
D355 1325	Cover:Push Switch	11 - 14
D355 1333	Shielding Plate:Safety Switch:Door	3 - 7
D355 3846	Knob:Misfeed Removal	9 - 1
G024 1007	Rubber Foot - 23MM	13 - 13
G178 3516	Roller:Pressure	11 - 6
G178 3516	Roller:Pressure	13 - 16
G363 1105	Detent Roller Shaft	13 - 17
G568 6220	Fixing Screw	13 - 2

Part No.	Description	Page and Index No.
AA12 0139	Discharge Brush:Exit	9 - 4
AA14 3790	Screw:Contact Point	11 - 12
AA14 3798	Hexagonal Bolt:M12x35	13 - 11
AG07 1012	Magnet Catch:Ass'y	11 - 17
AH01 2014	Caster - 60KGF	13 - 8
AW01 0122	Paper Feed Sensor	9 - 3
AW01 0127	Paper Feed Sensor	13 - 15
AW02 0145	Photointerruptor:Flat	7 - 8
AW02 0145	Photointerruptor:Flat	9 - 10
AX04 0176	Stepper Motor:DC 3.7W	9 - 5

Part No.	Description	Page and Index No.
0353 0040N	Screw - M3x4	9 - 104
0353 0050N	Screw-M3x5	9 - 105
0353 0060N	Bind Screw - M3x6	5 - 106
0353 0100N	Screw-M3x10	13 - 107
0360 3006N	Screw - M3x6	9 - 102
0360 4006N	Screw - M4x6	9 - 101
0360 4008N	Screw - M4x8	5 - 107
0450 4008N	Tapping Screw - M4x8	5 - 105
0450 4008N	Tapping Screw - M4x8	3 - 101
0450 4010N	Tapping Screw:M4x10	5 - 101
0451 3006N	Tapping Screw - 3x6	3 - 103
0451 3006N	Tapping Screw - 3x6	13 - 104
0451 3006N	Tapping Screw - 3x6	11 - 102
0451 3006N	Tapping Screw - 3x6	7 - 103
0451 4008N	Tapping Screw:4x8	13 - 103
0451 4008N	Tapping Screw:4x8	11 - 101
0451 4008N	Tapping Screw:4x8	5 - 102
0451 4008N	Tapping Screw:4x8	3 - 102
0451 4008N	Tapping Screw:4x8	7 - 101
0453 4008N	Binding Self Tapping Screw:4x8	5 - 104
0454 3006Q	Tapping Screw - M3x6	7 - 105
0454 3006Q	Tapping Screw - M3x6	3 - 104
0454 4006Q	Tapping Screw:4x6	11 - 103
0454 4006Q	Tapping Screw:4x6	13 - 101
0454 4008N	Tapping Screw:Round Point:4x8	5 - 103
0454 4008Q	Tapping Screw - M4x8	3 - 105
0454 4008Q	Tapping Screw - M4x8	7 - 102
0454 4008Q	Tapping Screw - M4x8	9 - 103
0454 4010Q	Tapping Screw:4x10	13 - 102
0720 0030E	Retaining Ring - M3	13 - 106
0720 0040E	Retaining Ring - M4	11 - 104
0720 0040E	Retaining Ring - M4	13 - 105
1105 0289	Locking Support-KGLS-12S	11 - 108
1105 0511	Harness Clamp - LWS-0306ZC	11 - 106
1105 0511	Harness Clamp - LWS-0306ZC	9 - 106

Part No.	Description	Page and Index No.
1105 0522	Edge Saddle - LES0510	7 - 104
1106 0250	Bushing:SR-6N-4	11 - 107
1204 2382	Interlock Switch - FA1L-CA22	11 - 105

Part No.	Description	Page and Index No.
5446 2560	Cushion - Paper Tray	13 - 12
5447 2681	Snap Ring	3 - 13

Part No.	Description	Page and Index No.