



**RICOH UNIVERSITY**

Learning ♦ Knowledge ♦ Performance



**G176/G177/G176L**  
**PARTS CATALOG**

003038MIU

*Gestetner* **LANIER RICOH SAVIN**





**G176/G177/G176L  
PARTS CATALOG**

*Gestetner*  
**LANIER**  
**RICOH**  
**SAVIN**





RICOH UNIVERSITY

Learning ♦ Knowledge ♦ Performance

# G176/G177/G176L PARTS CATALOG

003038MIU

*Gestetner* **LANIER RICOH SAVIN**



It is the reader's responsibility when discussing the information contained within this document to maintain a level of confidentiality that is in the best interest of Ricoh Corporation and its member companies.

**NO PART OF THIS DOCUMENT MAY BE REPRODUCED IN ANY  
FASHION AND DISTRIBUTED WITHOUT THE PRIOR  
PERMISSION OF RICOH CORPORATION.**

All product names, domain names or product illustrations, including desktop images, used in this document are trademarks, registered trademarks or the property of their respective companies.

They are used throughout this book in an informational or editorial fashion only and for the benefit of such companies. No such use, or the use of any trade name, or web site is intended to convey endorsement or other affiliation with Ricoh products.





# LEGEND

PRODUCT CODE	COMPANY			
	GESTETNER	LANIER	RICOH	SAVIN
G176	P7031n	LP131n	SP 4100N	MLP31n
G177	P7035n	LP136n	SP 4110N	MLP36n
G176L	P7031nL	LP131nL	Aficio SP 4100NL	MLP31nL
G362	Envelope Feeder Type 400			
G893	Duplex Unit AD1000			
G894	Paper Feed Unit TK1030			

# DOCUMENTATION HISTORY

REV. NO.	DATE	COMMENTS
*	03/2007	Original Printing
1	05/2008	G176L Addition



# G176/G177/G176L

## TABLE OF CONTENTS

### G176/G177/G176L PARTS LOCATION AND LIST

1. EXTERIOR 1 (G176/G177) .....	2
2. EXTERIOR 2 (G176/G177) .....	4
3. LD UNIT (G176/G177).....	6
4. PAPER TRAY (G176/G177).....	8
5. PAPER REGISTRATION 1 (G176/G177) .....	10
6. PAPER REGISTRATION 2 (G176/G177) .....	12
7. TRANSFER SECTION (G176/G177) .....	14
8. FUSING UNIT 1 (G176/G177) .....	16
9. FUSING UNIT 2 (G176/G177) .....	18
10. PAPER EXIT (G176/G177) .....	20
11. DRIVE SECTION (G176/G177) .....	22
12. ELECTRICAL SECTION 1 (G176/G177) .....	24
13. ELECTRICAL SECTION 2 (G176/G177) .....	26
14. MAIN CTRL BOARD (G176/G177) .....	28
15. ENGINE BOARD (120V) .....	42
16. ENGINE BOARD (230V) .....	48
17. DECALS AND DOCUMENTS (G176/G177) ....	54
18. SPECIAL TOOLS (G176/G177) .....	56

### G176/G177/G176L PARTS INDEX

PARTS INDEX .....	2
-------------------	---

### ENVELOPE FEEDER TYPE 400 G362 PARTS LOCATION AND LIST

1. ENVELOPE FEEDER (G362) .....	2
2. DECALS AND DOCUMENTS (G362) .....	4

### G362 PM PARTS INDEX .....

G362 PARTS INDEX.....	2
-----------------------	---

### DUPLEX UNIT AD 1000 G893 PARTS LOCATION AND LIST

1. DUPLEX UNIT 1 (G893).....	2
2. DUPLEX UNIT 2 (G893).....	4
3. DUPLEX UNIT 3 (G893).....	6
4. DUPLEX UNIT 4 (G893).....	8

### G893 PARTS INDEX.....

### PAPER FEED UNIT TK1030 G894 PARTS LOCATION AND LIST

1. PAPER TRAY (G894).....	2
2. PAPER FEED DRIVE (G894).....	4
3. FRAME SECTION (G894).....	6
4. DECALS AND DOCUMENTS (G894) .....	8

### G894 PM PARTS INDEX .....

G894 PM PARTS INDEX .....	2
---------------------------	---

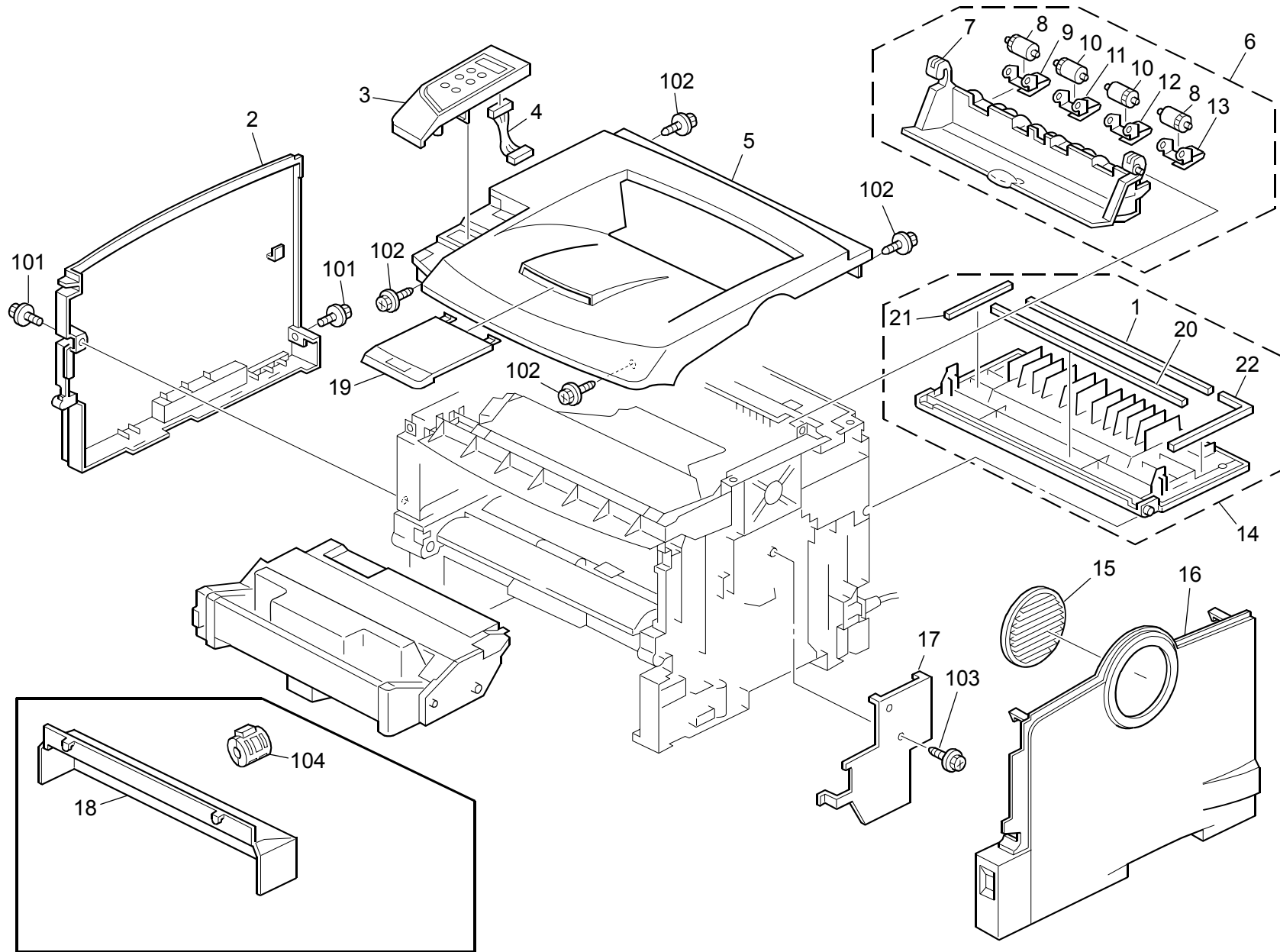


**G176/G177/G176L**  
**PARTS LOCATION AND LIST**



This section instructs you as to the numbers and names of parts on this machine.

# 1.Exterior 1 (G176/G177)



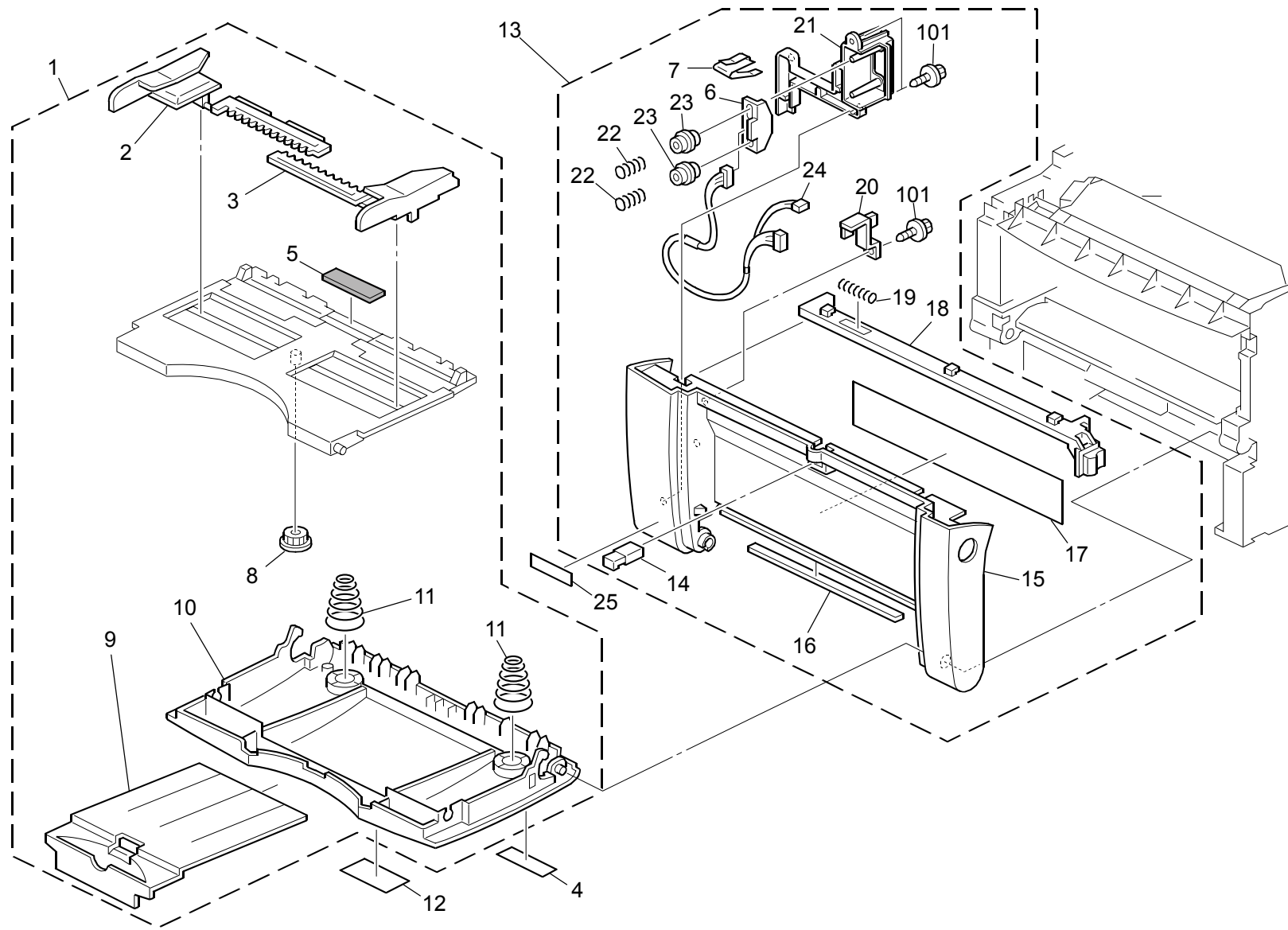


## 1.Exterior 1 (G176/G177)

Index No.	Part No.	Description	Q'ty Per Assembly
1	G175 1258	Upper Seal - Rear Cover	1
2	G175 1250	Left Cover - NA	1
2	G175 1253	Left Cover - EU	1
3	G175 1400	Operation Panel (G176/G177)	1
3	G175 1401	Operation Panel: English: L: Ass'y (G176L)	1
4	G175 5406	Operation Panelharness	1
5	G175 1452	Upper Cover	1
5	G175 1652	Upper Cover - EU	1
6	G096 1509	Paper Exit Sub-unit Ass'y	1
7	G096 1512	Exit Cover	1
8	G052 4875	Inner Exit Cover Roller	2
9	G052 4871	Left Holder - Exit Driven Roller	1
10	G052 4873	Outer Exit Cover Roller	2
11	G052 4876	Left Spring Plate	1
12	G052 4877	Right Spring Plate	1
13	G052 4872	Right Holder - Exit Driven Roller	1
14	G175 1219	Rear Cover	1
14	G175 1229	Rear Cover - EU	1
15	G175 1651	Louver	1
16	G175 1450	Right Cover	1
16	G175 1650	Right Cover - EU	1
17	G096 1257	Warning Cover (Electrical)	1
18	G096 3111	Cassette Cover	1
19	G175 1406	Slide Guide	1
20	G175 1255	Lower Seal - Rear Cover	1
21	G175 1256	Left Seal - Rear Cover	1
22	G175 1257	Right Seal - Rear Cover	1

Index No.	Part No.	Description	Q'ty Per Assembly
101	0451 3006N	Tapping Screw - 3x6	
102	0450 4010N	Tapping Screw: M4x10	
103	0450 3008N	Tapping Screw - M3x8	
104	1607 1715	Ferrite Core - RFC-5	

## 2.Exterior 2 (G176/G177)

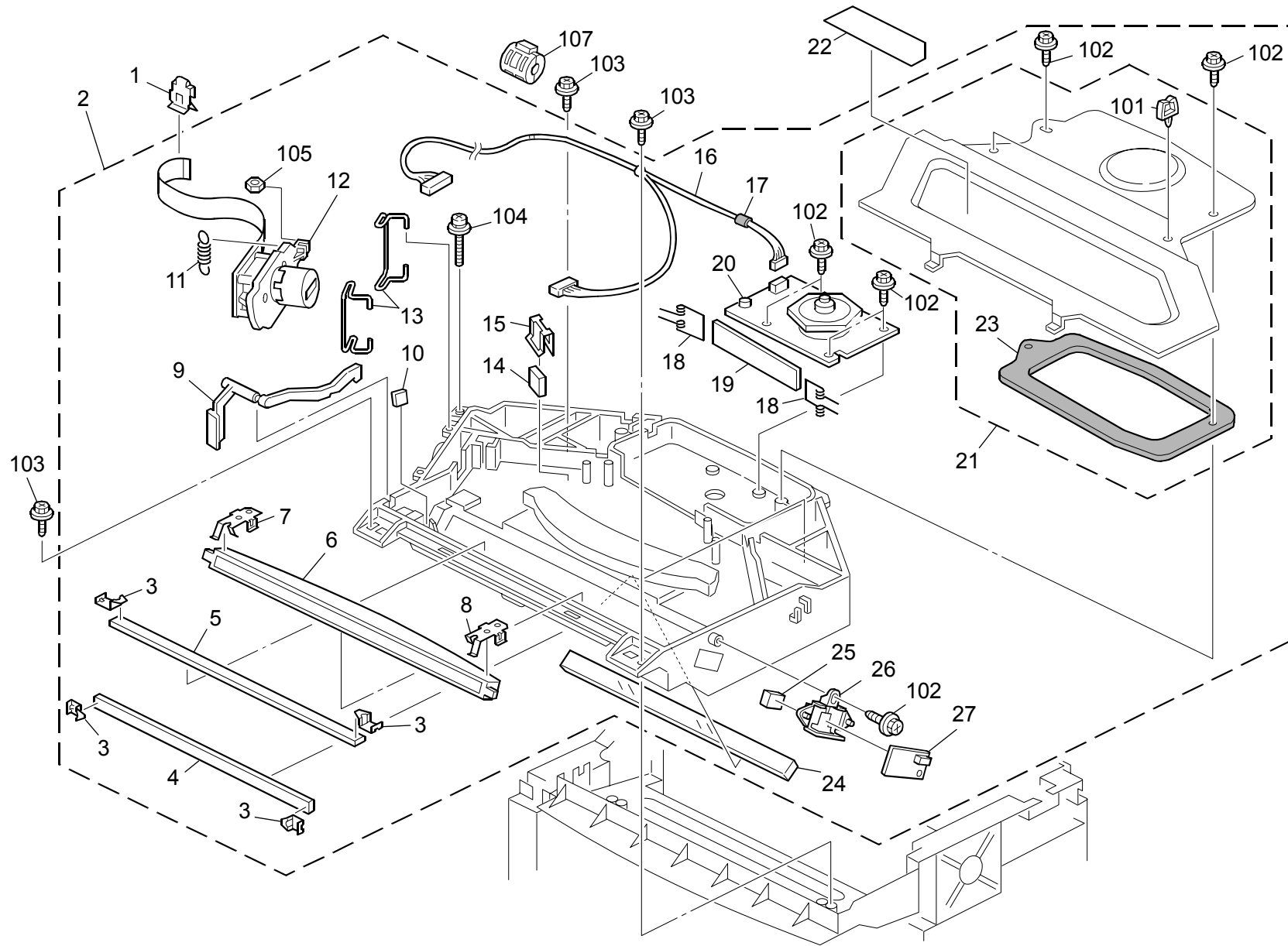


## 2.Exterior 2 (G176/G177)

Index No.	Part No.	Description	Q'ty Per Assembly
1	G175 3270	Table Unit - Manual Feed	1
1	G175 3271	Manual Feed Table: L: Ass'y (G176L)	1
2	G175 3277	Side Fence: Manual Feed: Left	1
3	G175 3276	Side Fence: Manual Feed: Right	1
4	GA00 0055	Decal: PS: PDF: E_Star	1
5	5215 2713	Bottom Plate Pad	1
6	G052 5362	Receptacle - 99RH144	1
7	G052 1544	Spring Plate - Receptacle	1
8	G800 3133	Side Fence Gear	1
9	G175 3341	Extension Tray: Manual Feed	1
9	G175 3342	Extension Tray: Manual Feed: L (G176L)	1
10	G175 3272	Cover: Manual Feed Table	1
11	G052 3278	Spring - Bypass	2
12	J007 1510	Logotype: Ricoh: TP-P1 (G176/G177)	1
12	J007 1511	Logotype: GES	1
12	J007 1512	Logotype: NSA	1
12	J007 1513	Logotype: REX	1
12	G139 2690	Plate - Logo RIC (G176/G177)	1
12	G190 0410	Logotype: Ricoh: P3 (G176L)	1
12	GA00 1051	Plate: Logo: SVN	1
12	GA00 1052	Plate: Logo: GES	1
12	GA00 1056	Plate: Logo: LAN	1
13	G175 1280	Door: Ass'y	1
13	G175 1260	Front Door - EU	1
14	AG07 1007	Latch - By Pass Feed Table	1
15	G175 1466	Door: Front	1
16	G052 3356	Sheet - Soundproof	1
17	G096 1551	Misfeed Removal Decal	1
18	G175 1516	Door Lever	1
19	G052 1518	Spring - Lock Lever	1
20	G096 1517	Shutter Feeler	1
21	G175 1251	Harness Cover	1
22	G052 1541	Spring - Receptacle	2
23	G052 1542	Collar - Receptacle	2
24	G175 3539	Thermistor- Transfer	1

Index No.	Part No.	Description	Q'ty Per Assembly
25	G176 1464	Modelname Plate - RIC (G176/G177)	1
25	G177 1464	Modelname Plate - RIC (G176/G177)	1
25	G176 1475	Name Plate: RIC: SP4100NL (G176L)	1
25	G176 1465	Model Name Decal - SVN (G176/G177)	1
25	G177 1465	Model Name Decal- SVN (G176/G177)	1
25	G176 1476	Name Plate: SVN: MLP31NL (G176L)	1
25	G176 1466	Model Name Decal -GES NA (G176/G177)	1
25	G177 1466	Model Name Decal- GES NA (G176/G177)	1
25	G176 1477	Name Plate: GES: P7031NL (G176L)	1
25	G176 1467	Model Name Decal- LAN NA (G176/G177)	1
25	G176 1471	Model Name Decal- LAN EU (G176/G177)	1
25	G177 1467	Model Name Decal- LAN NA (G176/G177)	1
25	G177 1471	Model Name Decal -LAN EU (G176/G177)	1
25	G176 1478	Name Plate: LAN: LP131NL (G176L)	1
25	G176 1482	Name Plate: LAN: SP4100NL (G176L)	1
25	G176 1468	Model Name Decal - NSA EU (G176/G177)	1
25	G177 1468	Model Name Decal- NSA (G176/G177)	1
25	G176 1480	Name Plate: NSA: SP4100NL (G176L)	1
25	G176 1469	Model Name Decal -REX (G176/G177)	1
25	G177 1469	Model Name Decal - REX (G176/G177)	1
25	G176 1481	Name Plate: REX: SP4100NL (G176L)	1
25	G176 1470	Model Name Decal-GESEU (G176/G177)	1
25	G177 1470	Model Name Decal- GES EU (G176/G177)	1
25	G176 1479	Name Plate: GES: SP4100NL (G176L)	1
101	0450 3008N	Tapping Screw - M3x8	

### 3.LD Unit (G176/G177)

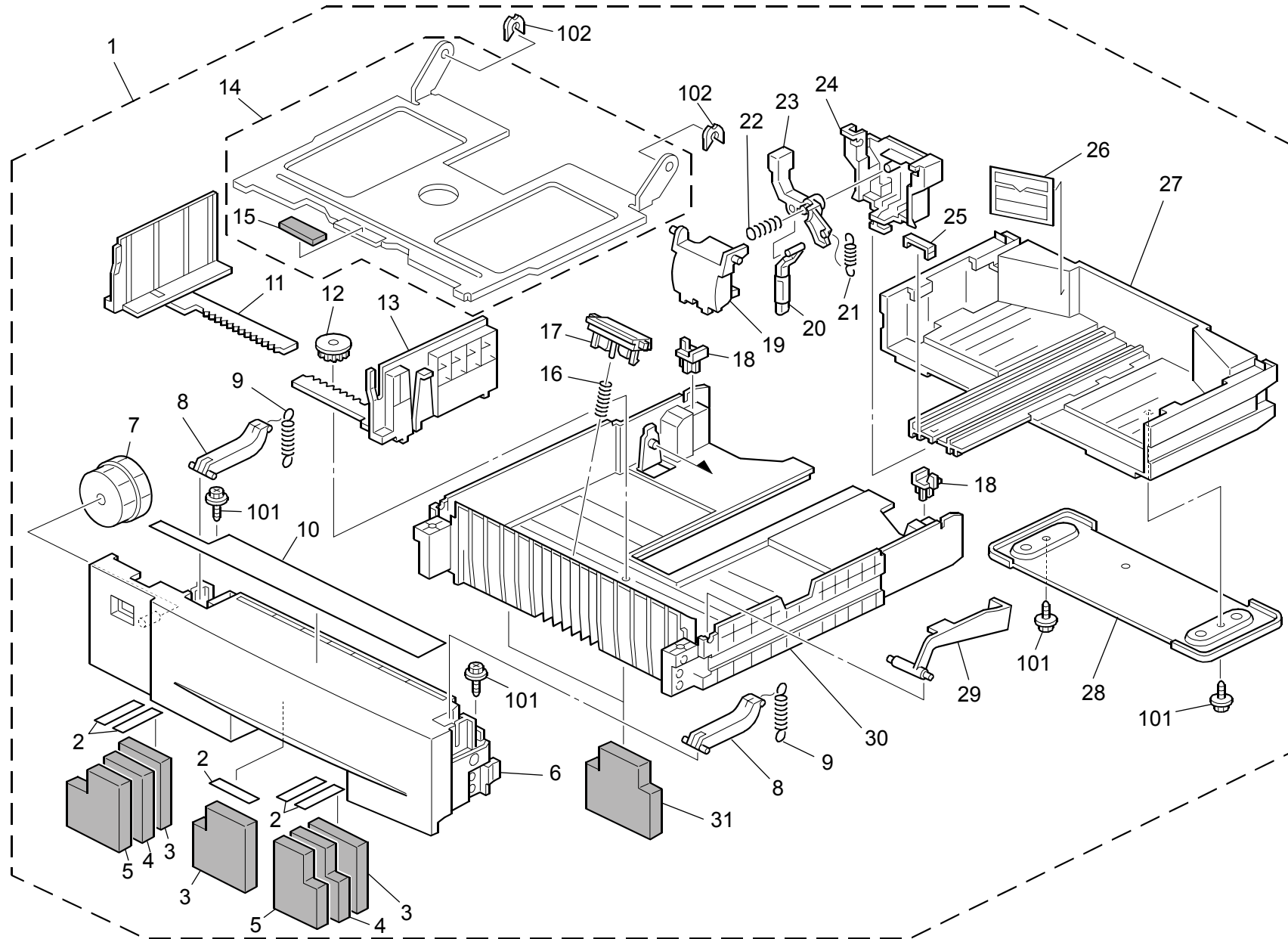


### 3.LD Unit (G176/G177)

Index No.	Part No.	Description	Q'ty Per Assembly
1	G052 1212	Clip	1
2	G175 1904	Imaging Unit	1
3	G052 2774	Mirror Clamp	4
4	GC03 0026	Mirror - 1	1
5	GC03 0027	Mirror - 2	1
6	GC02 5010	DTL	1
7	G052 2771	Right DTL Holder	1
8	G052 2772	Left DTL Holder	1
9	G052 2780	Shutter - LD	1
10	GC03 0028	Mirror - Sync Detector	1
11	G052 2764	Spring - LD Unit	1
12	G168 1915	Laser Diode Unit	1
13	G052 2763	LD Holder	2
14	GC02 5011	Cylindrical Lens	1
15	G052 2773	Cylindrical Lens Holder	1
16	G175 5403	Synchronize Detectorharness	1
17	G088 2775	Shield: Harness	1
18	G052 2777	Spring Holder - Shield Glass	2
19	GC01 5005	Shield Glass - Polygon Motor	1
20	GX06 0029	Polygon Scanner Motor: DC24V 24W	1
21	G088 2785	Cover: Optical Housing: Ass'y	1
22	G111 1910	Caution Decal - Laser	1
23	G088 2789	Shield: Cover: Polygon Scanner	1
24	G129 1902	Shield Glass	1
25	G029 1975	Cylindrical Lens	1
26	G168 1922	Holder: Sync Detector	1
27	G052 5060	Synchronization Detector	1

Index No.	Part No.	Description	Q'ty Per Assembly
101	1105 0229	Clamp	
102	0450 3008N	Tapping Screw - M3x8	
103	0450 3012N	Tapping Screw: 3x12	
104	0951 3016N	Screw: Polished Round: M3x16	
105	0712 0030N	Hexagonal Nut: M3	
107	1607 1714	Ferrite Core: RFC-6	

## 4. Paper Tray (G176/G177)

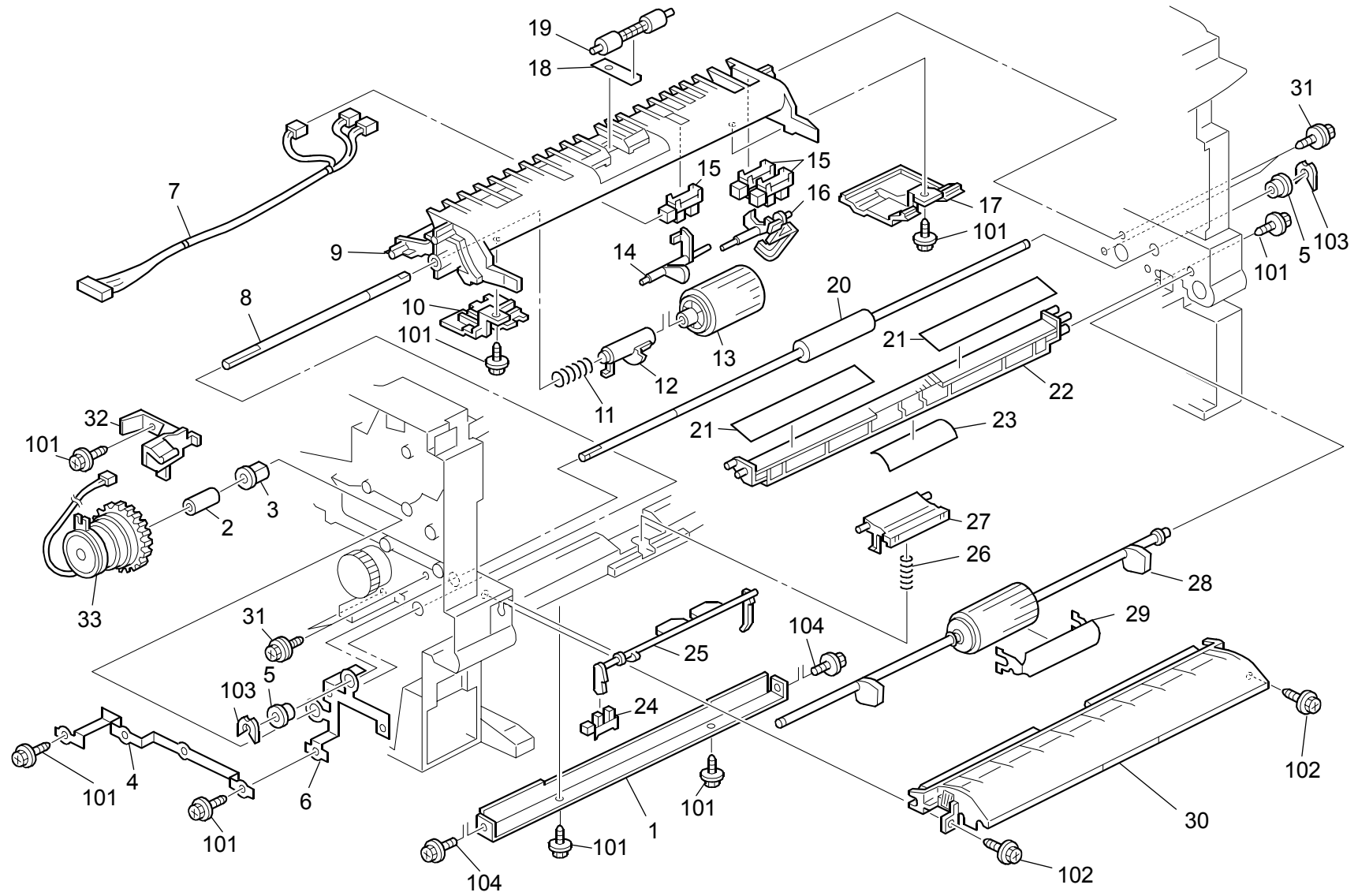


#### 4.Paper Tray (G176/G177)

Index No.	Part No.	Description	Q'ty Per Assembly
1	G175 3050	Paper Tray Unit	1
2	G096 3094	Tape - Sheet : Tray	5
3	G360 3091	Tray Sheet 1	3
4	G360 3092	Tray Sheet 2	2
5	G360 3093	Tray Sheet 3	2
6	G096 3052	Paper Tray Cover	1
7	G096 3075	Paper Size Sensor Board	1
8	G096 3071	Paper Tray Arm	2
9	G096 3083	Spring Tension	2
10	G096 3144	Paper Set Direction Label	1
11	G096 3055	Left Side Fence	1
12	A267 2869	Gear - 16Z	1
13	G096 3056	Right Side Fence	1
14	G175 2818	Tray Bottom Plate	1
15	G555 3069	Basepad	1
16	G096 3084	Separation Compression Spring	1
17	G096 3066	Friction Pad Adhesion	1
18	G029 2609	Cassette Protection	2
19	G096 3088	End Fence Pressure	1
20	G096 3087	End Fence Protection	1
21	G096 3090	End Fence Tension Spring 12N	1
22	G096 3089	End Fence Compression Spring 3.5N	1
23	G096 3086	End Fence Lever	1
24	G096 3085	End Fence	1
25	G096 3063	Paper Tray Cap	1
26	G096 3078	Protection Label	1
27	G096 3060	Rear Paper Tray	1
28	G096 3065	Paper Tray Supporting Plate	1
29	G096 3070	Paper Volume Sensor Board	1
30	G096 3051	Paper Tray	1
31	G175 3058	Traysheet	2

Index No.	Part No.	Description	Q'ty Per Assembly
101	0450 3008N	Tapping Screw - M3x8	
102	0805 0089	Retaining Ring - M4	

# 5.Paper Registration 1 (G176/G177)





## 5.Paper Registration 1 (G176/G177)

Index No.	Part No.	Description	Q'ty Per Assembly
1	G096 3301	Support Plate Stay : Bypass	1
2	G175 3138	Spacer - Paper Feed	1
3	AA08 2075	Bushing - M6	1
4	G096 3337	Auxiliary Ground Plate	1
5	AA08 2058	Bushing - 6x10x9mm	2
6	G096 3335	Paper Feed Ground Plate	1
7	G175 5400	Interface Harness - FST	1
8	G096 3101	Paper Feed Shaft	1
9	G096 3100	Paper Feed Stay	1
10	G096 3106	Left Stay Cover	1
11	G029 2657	Compression Spring	1
12	G052 3106	Bushing - Paper Feed Roller	1
13	G052 3103	Paper Feed Roller	1
14	G096 3104	Paper End Sensor Feeler	1
15	AW02 0141	Photointerruptor	3
16	G096 3105	Paper Volume Sensor Feeler	1
17	G096 3107	Right Stay Cover	1
18	G052 3304	Spring Plate - Paper Transport	1
19	G052 3303	Paper Transport Roller	1
20	G175 3332	Relay Roller	1
21	G096 3306	Connecting Guide Roller	2
22	G096 3294	Connecting Guide Plate	1
23	G052 3307	Transport Guide Mylar	1
24	AW02 0145	Photointerruptor: Flat	1
25	G175 3286	Manual Feed Feeler	1
26	G096 3292	Spring - Manual Feed	1
27	G175 3290	Friction Pad - Manual Feed	1
28	G129 2552	Paper Feed Roller: Manual Feed	1
29	G175 2767	Feed Roller Cover	1
30	G096 3280	Manual Feed Frame	1
31	G116 4159	Screw: M3x13	4
32	G175 3139	Magnetic Clutch Stopper	1
33	G175 2587	Paper Feed Clutch	1

Index No.	Part No.	Description	Q'ty Per Assembly
101	0450 3008N	Tapping Screw - M3x8	
102	0450 3010N	Tapping Screw - M3x10	
103	0805 0089	Retaining Ring - M4	
104	0451 3008N	Tapping Screw - M3x8	

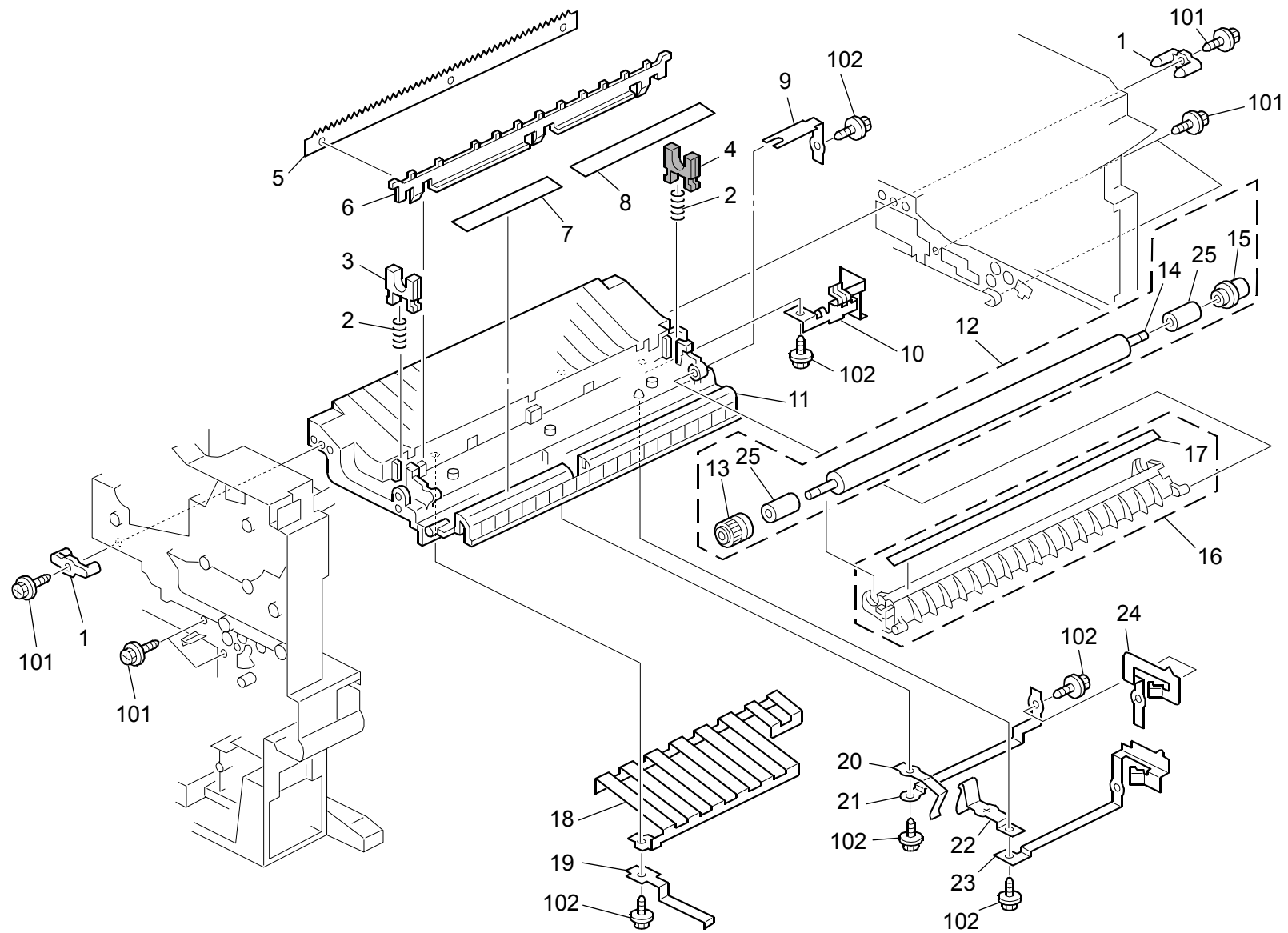


## 6.Paper Registration 2 (G176/G177)

Index No.	Part No.	Description	Q'ty Per Assembly
1	G052 3258	Left Bushing - Registration	1
2	AA06 3539	Spring - Registration Roller	2
3	G175 2585	Magnetic Clutch - Registration	1
4	AA08 2144	Bushing - 8x12x7	2
5	G096 3336	Registration Drive Ground Plate	1
6	G096 1087	Paper Tray Spring Plate Ass'y	1
7	G175 2551	Photosensor	1
8	G175 3268	Registration Sensor Bracket	1
9	G096 3315	Driven Registration Roller Mm14	1
10	G175 3267	Cleaner Film - Registration	1
11	G052 3257	Right Bushing - Registration	1
12	G175 5404	Harness - Toner End Sensor	1
13	G052 3390	Toner End Sensor	1
14	G052 3396	Spring - Toner End Sensor	1
15	G175 3266	Upper Guide Plate - Registration	1
16	G052 3351	Decal - Registration	1
17	G175 3316	Registration Roller - Drive	1

Index No.	Part No.	Description	Q'ty Per Assembly
101	0450 3008N	Tapping Screw - M3x8	
102	0805 0088	Retaining Ring - M6	

# 7.Transfer Section (G176/G177)

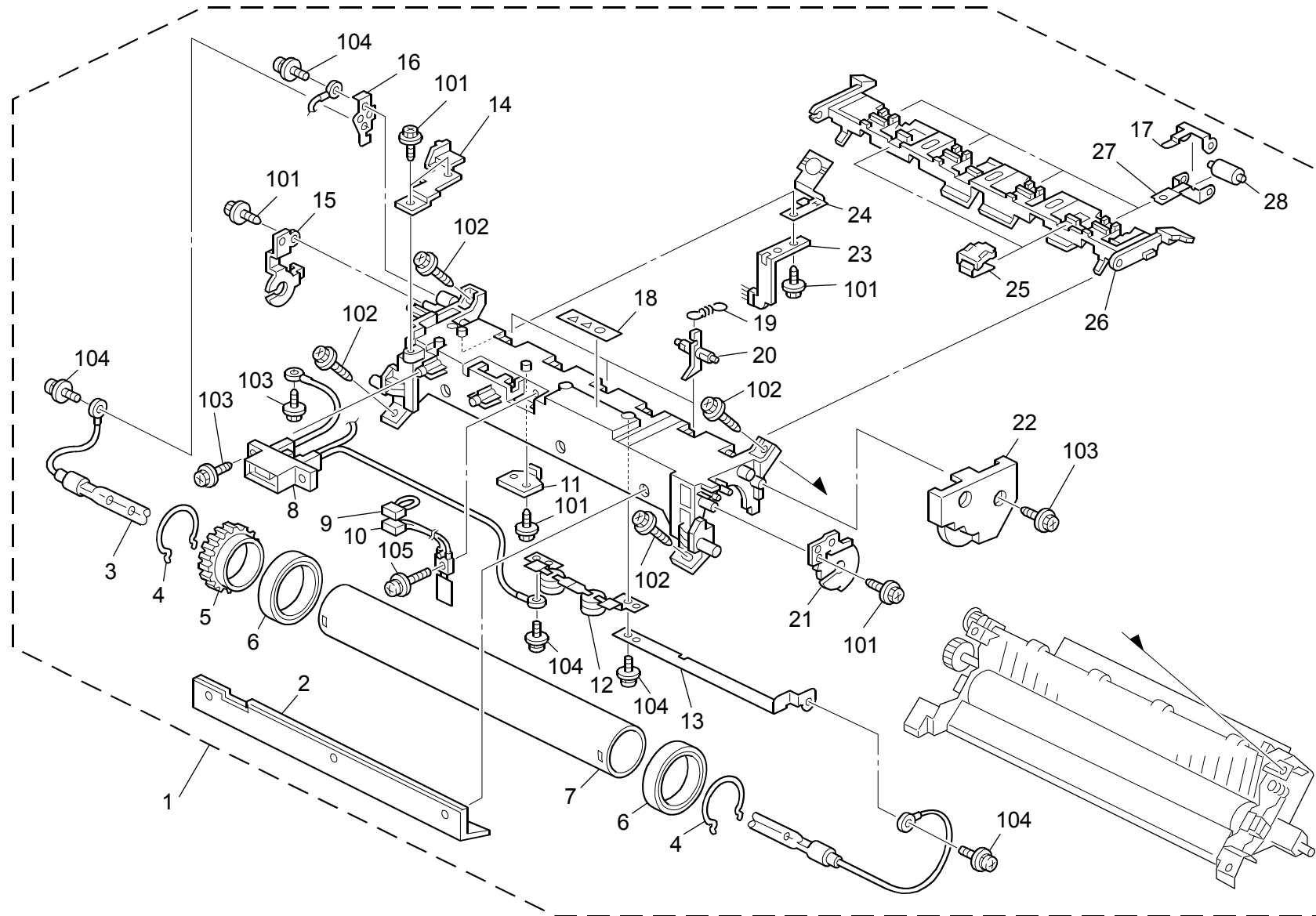


## 7. Transfer Section (G176/G177)

Index No.	Part No.	Description	Q'ty Per Assembly
1	G096 1019	Transport Guide Pin	2
2	G052 3627	Spring - Transfer	2
3	G052 3626	Left Bushing - Transfer	1
4	G052 3625	Right Bushing - Transfer	1
5	G096 3621	Separation Electrode Plate	1
6	G096 3622	Electrode Plate Cover	1
7	G096 3345	Registration Guide	1
8	G096 3346	Registration Guide Long	1
9	G052 3623	Transfer Terminal	1
10	G052 3624	Separation Terminal	1
11	G096 1018	Transport Guide	1
12	G129 6260	Transfer Roller Ass'y	1
13	G129 6252	Gear - Transfer Roller	1
14	G129 6257	Transfer Roller	1
15	G129 6251	Positioning Roller - Transfer	1
16	G096 3640	Transfer Guide Plate Ass'y	1
17	G096 3641	Transfer Guide Plate Sheet	1
18	G096 3628	Transport Guide Ground Plate	1
19	G096 3629	Transport Terminal Guide	1
20	G052 1255	Charge Terminal - High Voltage	1
21	G052 1254	Inner Terminal - Charge	1
22	G052 1256	Development Terminal - High Voltage	1
23	G052 1253	Development Terminal	1
24	G052 1251	Charge Terminal	1
25	G129 6255	Bushing	2

Index No.	Part No.	Description	Q'ty Per Assembly
101	0450 3012N	Tapping Screw: 3x12	
102	0450 3008N	Tapping Screw - M3x8	

## 8.Fusing Unit 1 (G176/G177)

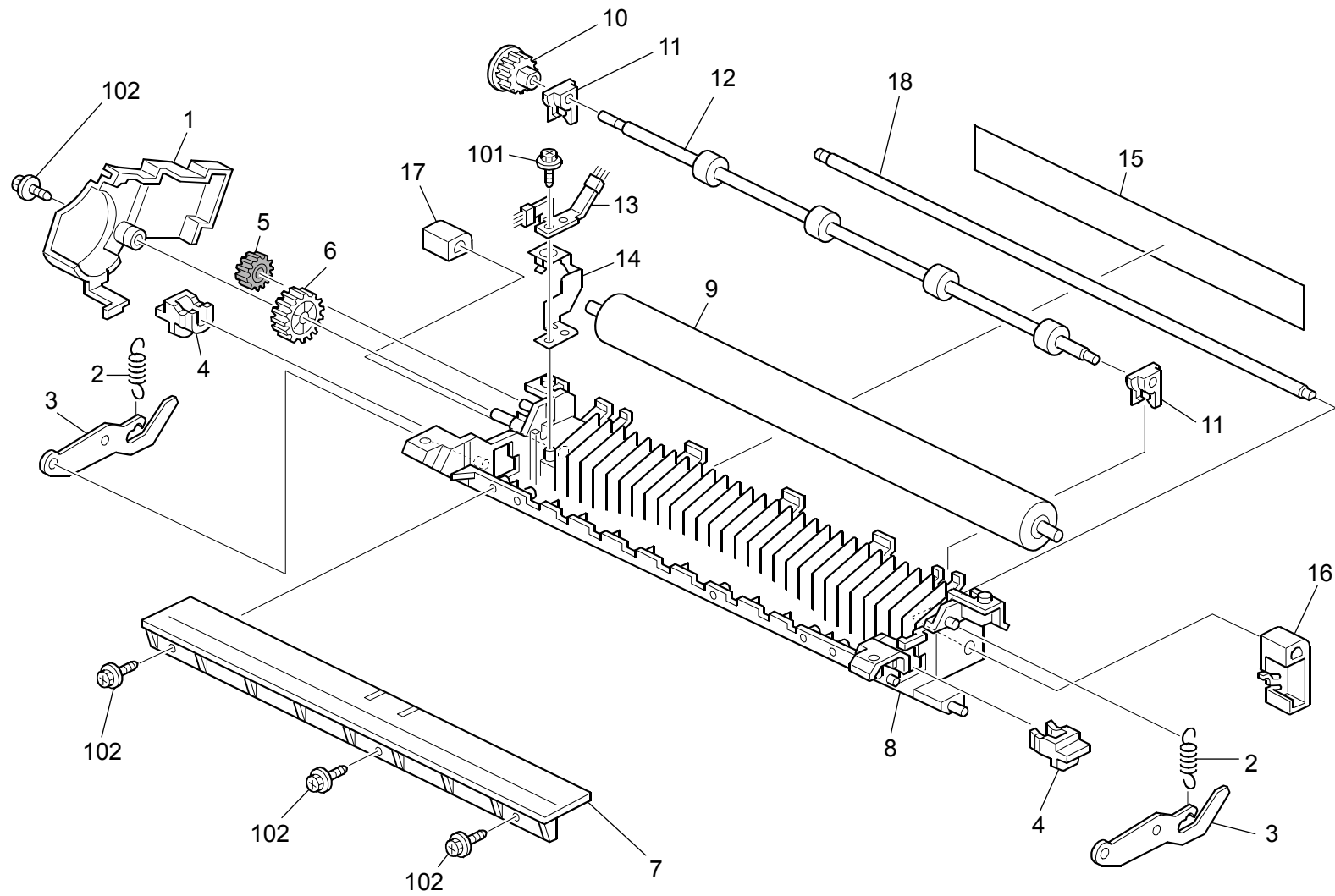


## 8.Fusing Unit 1 (G176/G177)

Index No.	Part No.	Description	Q'ty Per Assembly
1	G175 4118	Fusing Unit: NA: Ass'y	1
1	G175 4127	Fusing Unit: EU: Ass'y	1
2	G175 4644	Entrance Guide Plate - Upper	1
3	G175 0180	Heater - 765W 120V	1
3	G175 0179	Heater - 765W 230V	1
4	G052 4700	External Circlip	2
5	G175 4619	Gear - 41Z	1
6	G052 4618	Bearing 30x42x7	2
7	G175 4063	Hot Roller	1
8	G175 5500	Fusingdrawer - NA	1
8	G175 5510	Fusingdrawer - 230V	1
9	G175 5520	Harness - Fusing Unit Set 120V	1
9	G175 5521	Harness - Fusing Set 230V	1
10	G096 5501	Fusing Thermistor	1
11	G175 4625	Holder Plate - Fusing Harness	1
12	G096 4611	Thermostat Ass'y	1
13	G175 4602	Electrode Plate - Right	1
14	G096 4695	Upper Harness Plate	1
15	G096 4615	Left Fusing Lampbracket	1
16	G088 4618	Electrode: Heater	1
17	G096 4638	Exit Roller Supporting Plate	4
18	AA00 0301	Decal Warning (High Temperature)	1
19	G052 4622	Spring - Fusing Stripper	3
20	G052 4624	Hot Roller Stripper	3
21	G096 4616	Right Heater Bracket	1
22	G096 4692	Fusing Right Cover	1
23	G175 4642	Discharge Brush - Bearing	1
24	G175 4690	Ground Plate - Fusing	1
25	G052 4647	Spring Plate - Fusing Exit	2
26	G096 4635	Upper Fusing Exit Guide Plate	1
27	G052 4639	Exit Roller Holder	4
28	G800 4854	Exit Roller	4

Index No.	Part No.	Description	Q'ty Per Assembly
101	0450 3008N	Tapping Screw - M3x8	
102	0450 3012N	Tapping Screw: 3x12	
103	0450 3010N	Tapping Screw - M3x10	
104	0954 3008N	Screw - M3x8	
105	0954 3010N	Screw: Polished Round/Spring: M3x10	

## 9.Fusing Unit 2 (G176/G177)



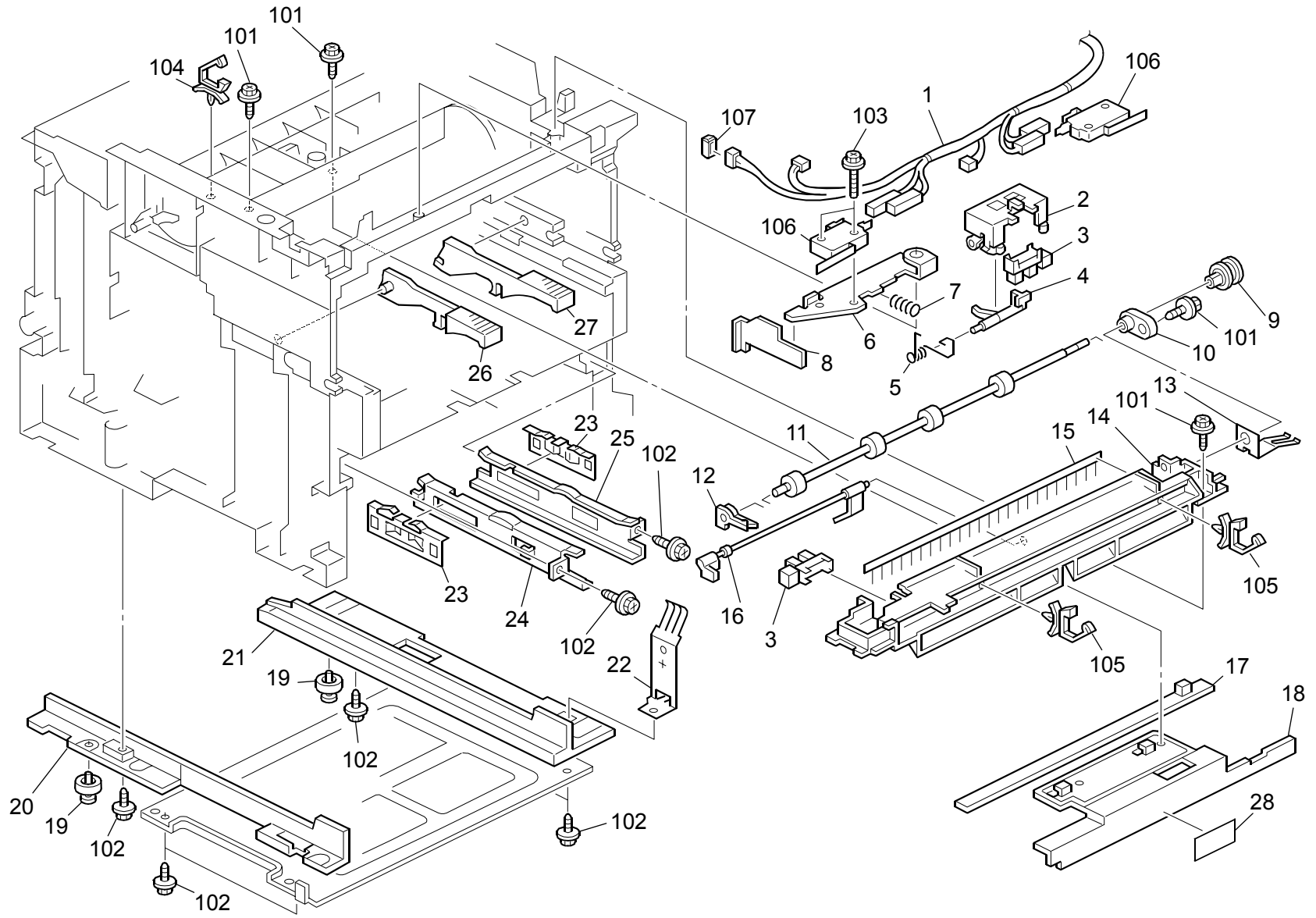


## 9.Fusing Unit 2 (G176/G177)

Index No.	Part No.	Description	Q'ty Per Assembly
1	G175 4698	Fusing Left Cover	1
2	G129 4102	Pressure Spring - Fusing	2
3	G175 4662	Pressure Roller Lever	2
4	G052 4665	Bushing - Pressure Roller	2
5	G052 4676	Gear - Fusing Idler	1
6	G052 4677	Gear - Fusing Idler	1
7	G175 4681	Fusing Entrance Guide Plate	1
8	G175 4650	Pressure Frame	1
9	G175 0126	Pressure Roller	1
10	G175 4673	Gear - 15Z	1
11	G800 4851	Bushing	2
12	G096 4674	Fusing Exit Roller	1
13	G052 4692	Discharge Brush - Pressure	1
14	G052 4691	Ground Plate - Fusing Pressure	1
15	G175 4693	Decal - High Temperature	1
16	G175 4183	Right Pressure Lever	1
17	G175 4182	Left Pressure Lever	1
18	G175 4181	Pressure Lever Shaft	1

Index No.	Part No.	Description	Q'ty Per Assembly
101	0450 3008N	Tapping Screw - M3x8	
102	0450 3010N	Tapping Screw - M3x10	

# 10. Paper Exit (G176/G177)

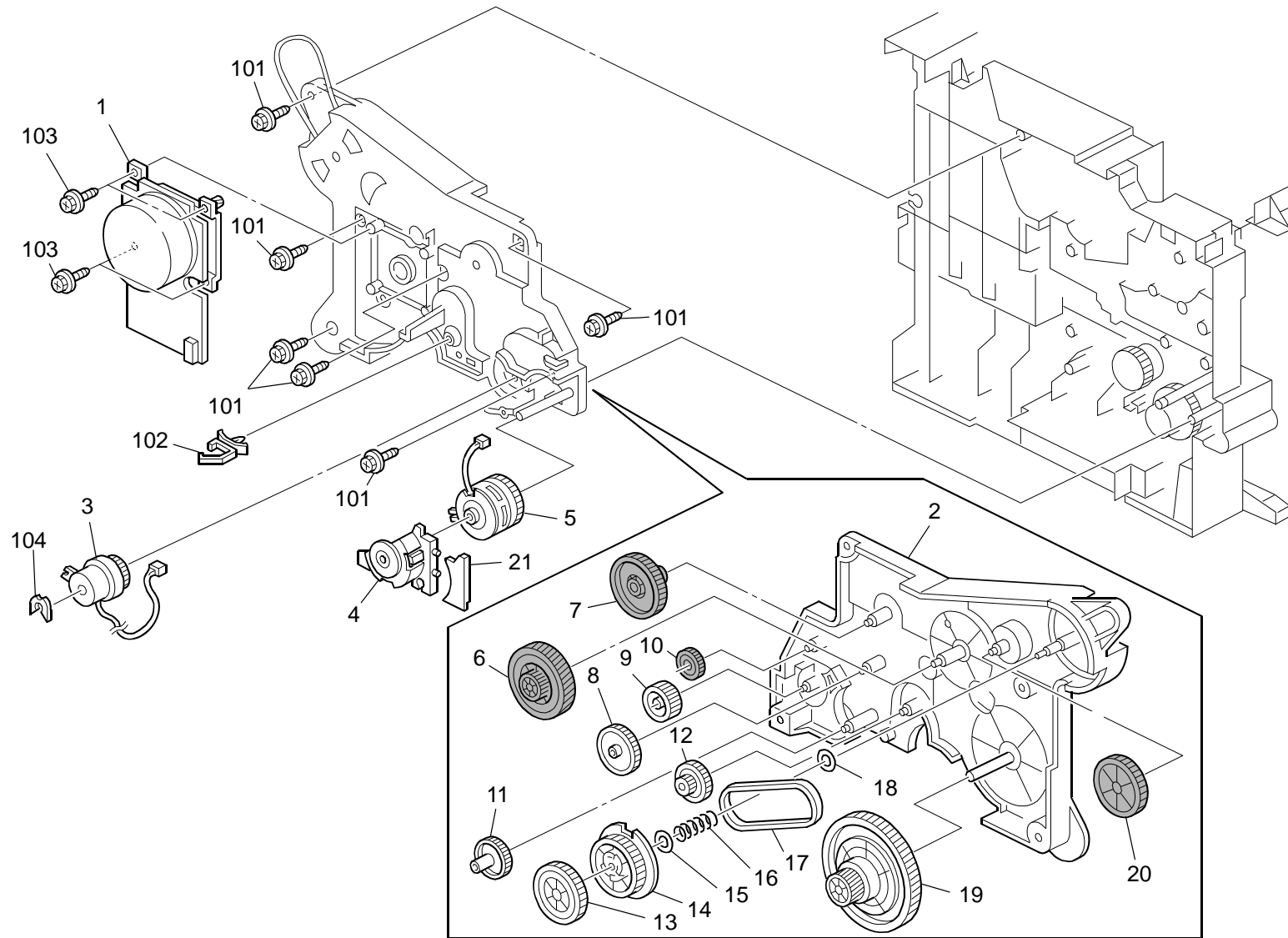


## 10.Paper Exit (G176/G177)

Index No.	Part No.	Description	Q'ty Per Assembly
1	G175 5413	Exit Sensorharness	1
2	G052 1044	Exit Feeler Holder	1
3	GW02 0020	Photointerruptor: LG248NL1	2
4	G052 1042	Fusing Exit Feeler	1
5	G052 1046	Spring - Fusing Exit Feeler	1
6	G052 1272	Rear Cover Sw Bracket	1
7	G052 1273	Spring - Micro Switch	1
8	G052 1274	Micro Switch Lever	1
9	G052 4855	Pulley - Paper Exit	1
10	G052 1049	Bushing - Paper Exit	1
11	G096 4850	Exit Roller	1
12	G800 4851	Bushing	1
13	G096 1262	Exit Roller Ground Plate	1
14	G096 1041	Exit Bracket	1
15	G096 4888	Exit Brush Discharge	1
16	G096 1043	Exhaust Sensor Feeler	1
17	G129 3522	Discharge Lamp: Cassis	1
18	G175 1032	Heat Insulating Plate - Front	1
19	GH01 0007	Rubber Foot - FF-006(P4070)N	2
20	G096 1081	Right Paper Tray Rail	1
21	G096 1082	Left Paper Tray Rail	1
22	G096 1085	Base Ground Plate	1
23	G052 1027	Spring Plate - Duplex Rail	2
24	G096 1021	Right Duplex Rail	1
25	G096 1022	Left Duplex Rail	1
26	G052 4696	Right Fusing Lock Lever	1
27	G052 4697	Left Fusing Lock Lever	1
28	G128 1151	Decal: Warning (High Temperature)	1

Index No.	Part No.	Description	Q'ty Per Assembly
101	0450 3008N	Tapping Screw - M3x8	
102	0450 3012N	Tapping Screw: 3x12	
103	0451 3014N	Tapping Screw: 3x14	
104	1105 0487	Harness Clamp	
105	1105 0516	Clamp	
106	1204 2521	Micro Switch	
107	1102 4559	Connector - 3P	

# 11. Drive Section (G176/G177)



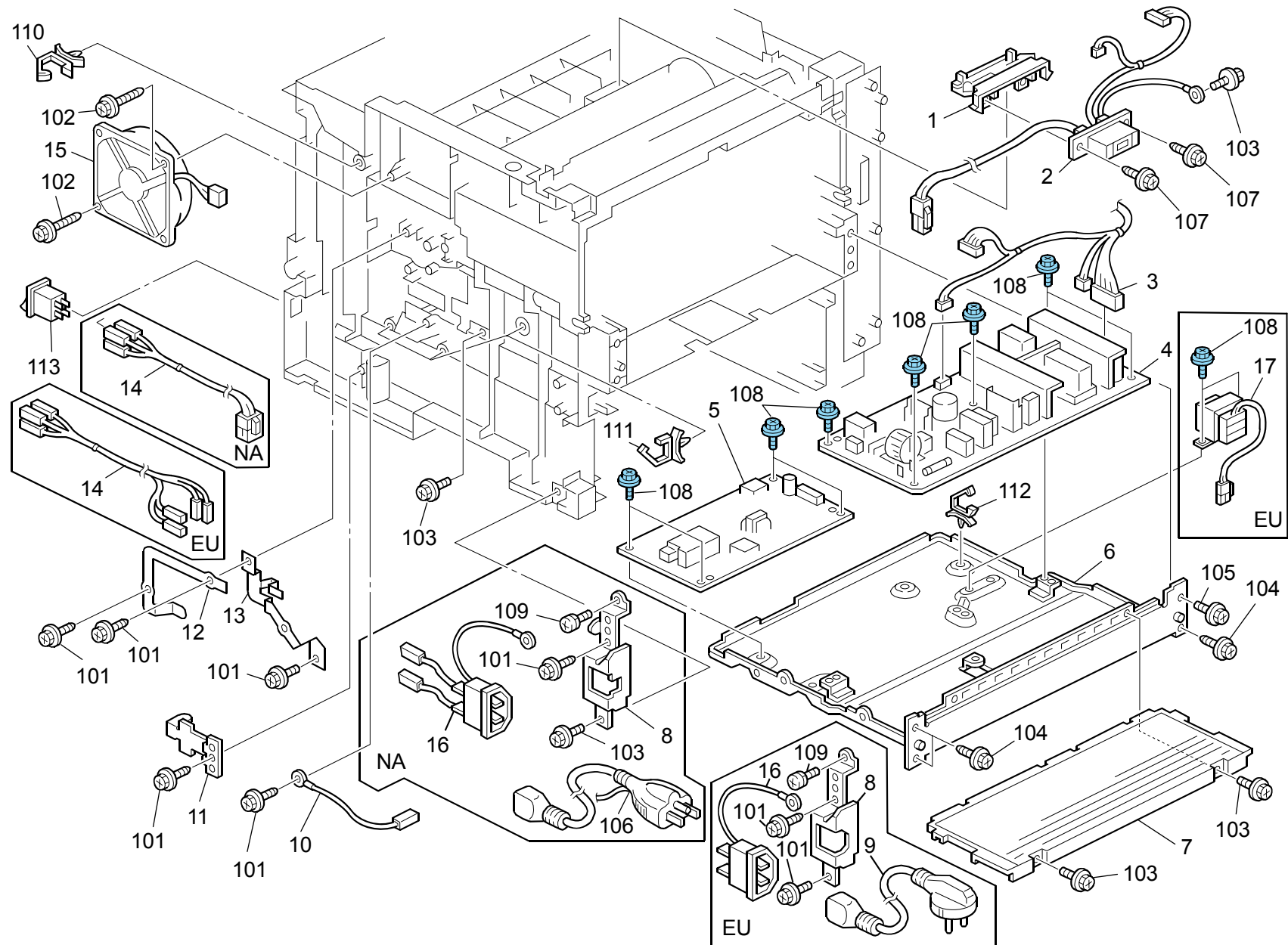
### 11. Drive Section (G176/G177)

Rev. 11/11/2008

Index No.	Part No.	Description	Q'ty Per Assembly
1	G175 1050	Brushless Motor - DC 31W	1
2	M001 1122	Drive Unit Bracket <b>[TSB#005]</b>	1
3	G175 3209	Magnetic Clutch	1
4	G175 2554	Spring Clutch Bracket	1
5	G129 2551	Magnetic Clutch: 1turn: Z41	1
6	G052 1104	Gear - Fusing 1	1
7	G052 1108	Gear - Paper Feed 1	1
8	G052 1109	Gear - Paper Feed 2	1
9	G052 1113	Gear - Paper Feed 6	1
10	G052 1112	Gear - Paper Feed 5	1
11	G052 1111	Gear - Paper Feed 4	1
12	G052 1110	Gear - Paper Feed 3	1
13	G175 1106	Gear - 45Z	1
14	G052 1107	Gear - Pulley - Fusing	1
15	5353 1803	Wave Washer	1
16	G052 1120	Spring - Paper Exit Release	1
17	G052 1121	Drive Belt	1
18	G052 1123	Spacer - Drive Unit	1
19	G088 1103	Gear: PCU	1
20	G052 1105	Gear - Fusing 2	1
21	G175 2555	Harness Holder	1

Index No.	Part No.	Description	Q'ty Per Assembly
101	0450 3010N	Tapping Screw - M3x10	
102	1105 0292	Wire Saddle	
103	0450 4010N	Tapping Screw: M4x10	
104	0805 0089	Retaining Ring - M4	

## 12. Electrical Section 1 (G176/G177)

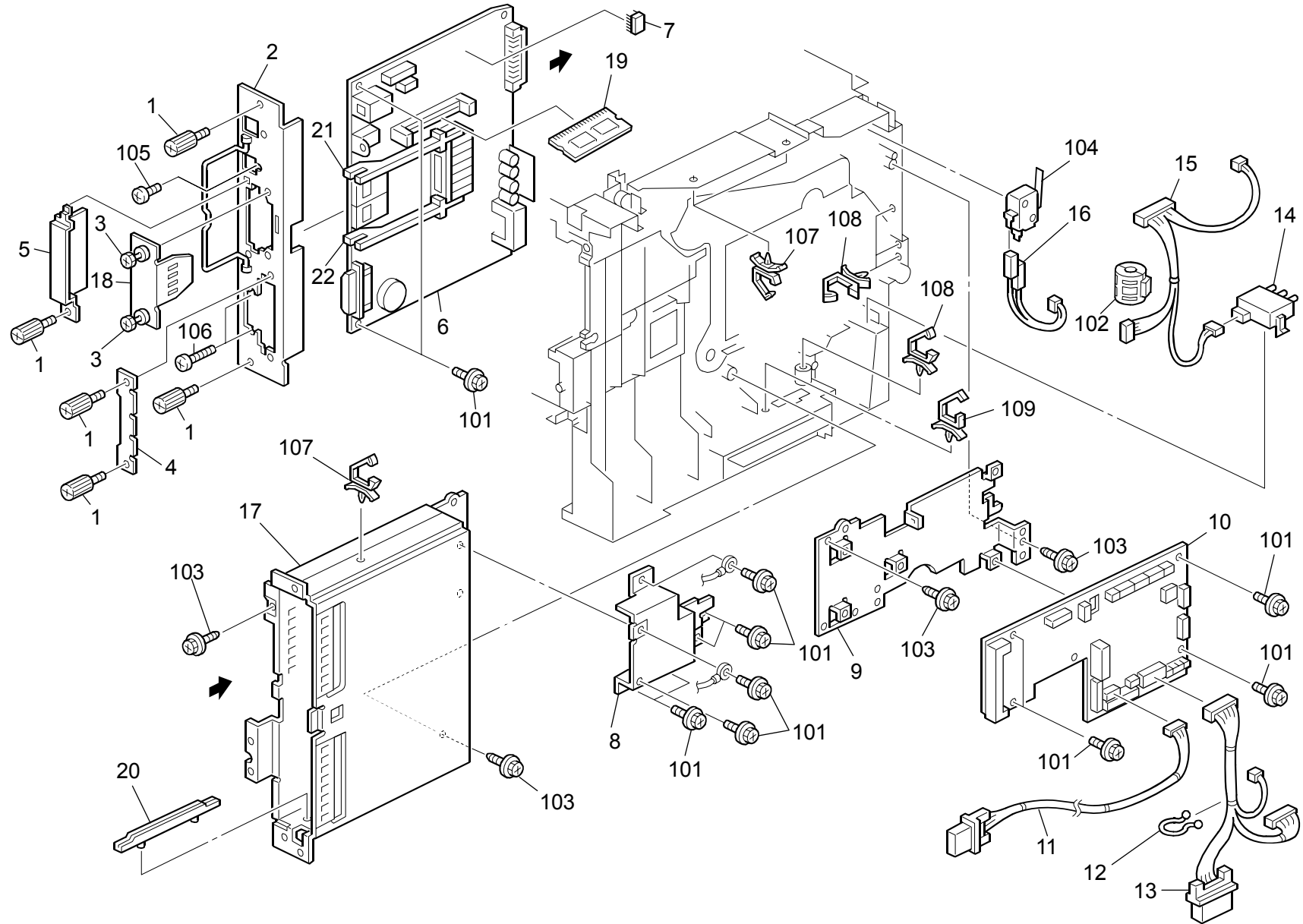


## 12.Electrical Section 1 (G176/G177)

Index No.	Part No.	Description	Q'ty Per Assembly
1	G175 1056	Drawer Bracket - Fusing	1
2	G175 5416	Harness - Fusing 120V	1
2	G175 5417	Fusing Harness - 230V	1
3	G175 5407	Harness- Power Source	1
4	G175 0019	Power Supply Unit - 120V	1
4	G175 0020	Power Supply Unit - 230V	1
5	G129 5300	Power Pack: Bct: Rohs	1
6	G096 1221	Power Supply Unit Bracket	1
7	G096 1031	Lower Fusing Heat Insulating Plate	1
8	G096 1271	Inlet Bracket	1
9	G102 5502	Power Supply Cord: EU	1
10	G111 5419	Harness - Power Pack	1
11	G096 1087	Paper Tray Spring Plate Ass'y	1
12	G096 3338	Ground Plate - Registration	1
13	G052 1252	Drum Terminal	1
14	G175 5409	Main Switch Harness - NA	1
14	G175 5411	Main Switch Harness - EU	1
15	G129 1051	Fan Motor Mm92: 24V	1
16	G110 5501	Inlet: JPN: Ass'y	1
16	G096 5506	Inlet - EU	1
17	G129 5205	Choke Coil	1

Index No.	Part No.	Description	Q'ty Per Assembly
101	0450 3008N	Tapping Screw - M3x8	
102	0450 3012N	Tapping Screw: 3x12	
103	0451 3006N	Tapping Screw - 3x6	
104	0450 3008N	Tapping Screw - M3x8	
105	0451 4006N	Tapping Screw - 4x6	
106	1150 0373	Power Supply Code: 125V 15A NA	
107	0450 4010N	Tapping Screw: M4x10	
108	0454 3006Q	Tapping Screw - M3x6	
109	0950 4006N	Screw - M4x6	
110	1105 0487	Harness Clamp	
111	1105 0292	Wire Saddle	
112	1105 0516	Clamp	
113	1204 2628	Switch 250V/10A	

# 13. Electrical Section 2 (G176/G177)





### 13.Electrical Section 2 (G176/G177)

Rev. 10/09/2008

Index No.	Part No.	Description	Q'ty Per Assembly
1	G104 5141	Knob Screw: M3	5
2	G175 5101	Control Board Panel	1
3	B622 5825	Panel Knob Screw	2
4	G056 6005	HDD Cover	1
5	G168 5115	SD-Cardcover	1
6	G177 5317	PCB: CTL: Sub-Ass'y (G176/G177)	1
6	G176 5318	PCB: CTL: Sub-Ass'y (G176L)	1
7	G176 9590	NVRAM - Zero Counter	1
8	G088 1216	Cover: EGB	1
9	G096 1211	Egb Bracket	1
10	G175 5603	Engine Board - LT (G176) <b>[TSB#003]</b>	1
10	G175 5602	Engine Board - LT (G177) <b>[TSB#003]</b>	1
10	G175 5606	PCB: EGB: NA: L (G176L) <b>[TSB#003]</b>	1
10	G175 5605	Engine Board - A/B (G176) (230v) <b>[TSB#003]</b>	1
10	G175 5604	Engine Board - A/B (G177) (230v) <b>[TSB#003]</b>	1
10	G175 5607	PCB: EGB: EU: L (G176L) (230v) <b>[TSB#003]</b>	1
11	G175 5414	Harness- Duplex	1
12	R013 1097	Clamp	1
13	G175 5412	Harness -Paper Feed	1
14	G800 3035	Push SW - Paper Size	1
15	G175 5401	Motor Sensor Harness	1
16	G175 5410	Safety Switch Harness	1
17	G096 1241	Control Board Bracket Ass'y	1
18	B132 5836	Panel - Interface	1
19	G330 5750	SDRAM-DIMM- 64MB	1
20	G111 1055	Supporter	1
21	G108 5107	Left Guide 1	1
22	G108 5108	Right Guide 1	1

Index No.	Part No.	Description	Q'ty Per Assembly
101	0451 3006N	Tapping Screw - 3x6	
102	1607 1714	Ferrite Core: RFC-6	
103	0450 3008N	Tapping Screw - M3x8	
104	1204 2521	Micro Switch	
105	0353 0040N	Screw - M3x4	
106	0352 5080N	Screw: M2.5x8	
107	1105 0487	Harness Clamp	
108	1105 0516	Clamp	
109	1105 0292	Wire Saddle	

## 14.Main CTRL Board (G176/G177)

### BAT

SYMBOL NO.	INDEX NO.
BAT1	113

### BZ

SYMBOL NO.	INDEX NO.
BZ1	154

### CAPACITOR

SYMBOL NO.	INDEX NO.
C1	169
C2	166
C3	170
C4	163
C5	163
C6	169
C7	170
C8	163
---	---
C10	172

SYMBOL NO.	INDEX NO.
C11	170
C12	170
C13	164
---	---
C15	169
C16	169
C17	166
C18	252
C19	252
C20	166

SYMBOL NO.	INDEX NO.
C21	175
C22	172
C23	175
C24	167
---	---
---	---
C27	169
C28	170
C29	169
C30	172

SYMBOL NO.	INDEX NO.
C31	162
C32	162
C33	184
C34	170
C35	169
C36	169
C37	170
C38	172
C39	169
C40	169

SYMBOL NO.	INDEX NO.
C41	172
---	---
C43	173
C44	170
C45	172
C46	169
C47	169
C48	180
C49	167
---	---

### CAPACITOR

SYMBOL NO.	INDEX NO.
C51	170
C52	170
---	---
C54	169
C55	170
C56	160
---	---
---	---
C59	170
---	---

SYMBOL NO.	INDEX NO.
---	---
---	---
C63	170
C64	170
---	---
C66	161
C67	161
C68	172
---	---
---	---

SYMBOL NO.	INDEX NO.
---	---
---	---
---	---
---	---
---	---
C76	160
C77	169
C78	169
C79	169
---	---

SYMBOL NO.	INDEX NO.
---	---
---	---
---	---
---	---
---	---
---	---
C87	172
C88	172
C89	253
C90	172

SYMBOL NO.	INDEX NO.
C91	172
C92	158
C93	253
C94	169
C95	170
C96	180
C97	180
C98	170
C99	253
C100	253

SYMBOL NO.	INDEX NO.
C101	253
C102	177
C103	177
C104	172
C105	172
---	---
---	---
---	---
C109	159
C110	159

SYMBOL NO.	INDEX NO.
C111	159
C112	159
---	---
C114	169
C115	169
C116	170
C117	158
C118	172
C119	172
C120	172

## 14.Main CTRL Board (G176/G177)

### CAPACITOR

SYMBOL NO.	INDEX NO.	SYMBOL NO.	INDEX NO.	SYMBOL NO.	INDEX NO.	SYMBOL NO.	INDEX NO.	SYMBOL NO.	INDEX NO.	SYMBOL NO.	INDEX NO.	SYMBOL NO.	INDEX NO.
C121	172	C131	170	C141	183	---	---	---	---	---	---	---	---
C122	160	C132	169	C142	172	C152	163	C162	172	C172	169	C182	169
C123	177	C133	160	C143	172	C153	169	C163	172	C173	169	C183	176
C124	177	C134	169	C144	172	C154	169	C164	253	C174	170	C184	169
C125	177	C135	171	C145	169	C155	172	C165	170	C175	169	C185	169
C126	170	C136	160	C146	167	C156	173	C166	170	---	---	C186	170
C127	169	---	---	C147	167	---	---	C167	170	---	---	---	---
C128	178	C138	171	C148	167	C158	172	C168	170	C178	170	C188	171
---	---	---	---	C149	167	C159	172	C169	169	C179	169	---	---
C130	253	---	---	C150	172	C160	163	C170	181	C180	170	C190	160

### CAPACITOR

SYMBOL NO.	INDEX NO.	SYMBOL NO.	INDEX NO.	SYMBOL NO.	INDEX NO.	SYMBOL NO.	INDEX NO.	SYMBOL NO.	INDEX NO.	SYMBOL NO.	INDEX NO.	SYMBOL NO.	INDEX NO.
---	---	C201	173	C211	169	C221	171	C231	170	C241	170	C251	170
---	---	C202	170	C212	174	---	---	---	---	C242	169	---	---
---	---	C203	170	C213	174	---	---	C233	171	C243	170	C253	169
---	---	C204	170	C214	251	C224	160	---	---	C244	169	C254	169
C195	171	C205	251	---	---	C225	160	C235	169	C245	170	---	---
C196	160	C206	169	C216	174	---	---	C236	169	---	---	C256	170
C197	170	C207	169	C217	174	C227	169	C237	169	C247	160	C257	184
C198	170	C208	169	---	---	---	---	C238	170	C248	172	C258	170
C199	170	C209	169	C219	171	C229	170	C239	170	---	---	C259	171
---	---	C210	169	---	---	C230	176	C240	169	C250	170	C260	169

## 14.Main CTRL Board (G176/G177)

### CAPACITOR

SYMBOL NO.	INDEX NO.	SYMBOL NO.	INDEX NO.	SYMBOL NO.	INDEX NO.	SYMBOL NO.	INDEX NO.	SYMBOL NO.	INDEX NO.	SYMBOL NO.	INDEX NO.	SYMBOL NO.	INDEX NO.
C261	160	---	---	C281	169	---	---	C301	169	C311	172	C321	184
C262	160	C272	169	C282	160	---	---	C302	169	C312	172	---	---
C263	171	C273	167	C283	169	---	---	C303	170	C313	172	C323	172
---	---	C274	170	C284	170	C294	169	C304	180	C314	172	C324	172
---	---	C275	170	C285	170	C295	251	C305	170	---	---	---	---
---	---	C276	169	---	---	C296	173	C306	172	---	---	C326	169
C267	170	C277	171	C287	169	C297	170	C307	169	C317	169	---	---
C268	169	C278	169	C288	170	C298	176	---	---	C318	170	---	---
C269	170	C279	169	C289	169	C299	169	C309	176	C319	172	C329	170
C270	180	C280	170	---	---	C300	170	C310	167	C320	172	---	---

### CAPACITOR

SYMBOL NO.	INDEX NO.	SYMBOL NO.	INDEX NO.	SYMBOL NO.	INDEX NO.	SYMBOL NO.	INDEX NO.	SYMBOL NO.	INDEX NO.	SYMBOL NO.	INDEX NO.	SYMBOL NO.	INDEX NO.
C331	168	---	---	---	---	---	---	C371	170	C381	163	C391	177
C332	173	---	---	---	---	C362	163	C372	169	C382	165	---	---
---	---	---	---	C353	170	C363	163	C373	170	C383	165	---	---
---	---	---	---	C354	169	C364	163	C374	169	C384	251	---	---
---	---	---	---	---	---	---	---	---	---	C385	251	C395	169
---	---	---	---	C356	169	---	---	C376	170	C386	251	---	---
---	---	---	---	---	---	---	---	---	---	C387	251	---	---
C338	176	---	---	---	---	---	---	---	---	C388	251	---	---
C339	184	C349	170	C359	163	C369	163	---	---	C389	253	---	---
C340	170	---	---	---	---	C370	163	---	---	C390	177	---	---

## 14.Main CTRL Board (G176/G177)

### CAPACITOR

SYMBOL NO.	INDEX NO.	SYMBOL NO.	INDEX NO.	SYMBOL NO.	INDEX NO.	SYMBOL NO.	INDEX NO.	SYMBOL NO.	INDEX NO.	SYMBOL NO.	INDEX NO.	SYMBOL NO.	INDEX NO.
---	---	---	---	---	---	C501	254	---	---	C1301	169	C1311	254
C402	169	---	---	---	---	C502	254	---	---	C1302	182	C1312	170
C403	169	---	---	---	---	C503	254	---	---	C1303	179	C1313	170
---	---	C414	169	---	---	C504	254	---	---	---	---	C1314	254
---	---	C415	170	---	---	C505	254	---	---	---	---	C1315	170
---	---	C416	169	---	---	C506	254	---	---	---	---	C1316	254
C407	170	C417	170	---	---	---	---	---	---	---	---	C1317	254
C408	170	C418	169	---	---	---	---	---	---	---	---	C1318	254
---	---	C419	170	---	---	---	---	---	---	---	---	C1319	254
---	---	---	---	C500	254	---	---	C1300	160	C1310	170	C1320	254

### CAPACITOR

SYMBOL NO.	INDEX NO.
C1321	254
C1322	254
C1323	254
C1324	254
C1325	170
C1326	254
C1327	254
C1328	254
C1329	254
C1330	254

SYMBOL NO.	INDEX NO.
C1331	254
C1332	254
C1333	170
C1334	254
C1335	254
C1336	254
C1337	254
C1338	170
C1339	254
C1340	254

### CONNECTOR

SYMBOL NO.	INDEX NO.
---	---
---	---
---	---
---	---
---	---
---	---
---	---
---	---
CN700	103

SYMBOL NO.	INDEX NO.
---	---
CN702	106
---	---
CN704	107
---	---
---	---
CN707	108
CN708	108
---	---
---	---

SYMBOL NO.	INDEX NO.
CN711	104
CN712	110
CN713	109
CN714	105
---	---
---	---
CN717	101
CN718	102

### DIONE

SYMBOL NO.	INDEX NO.
D1	116
---	---
---	---
D4	117
D5	118
D6	118

### FIL

SYMBOL NO.	INDEX NO.
FIL1	186
FIL2	186
FIL3	205
FIL4	204
---	---
FIL6	204
FIL7	185
FIL8	187
FIL9	187
---	---

## 14.Main CTRL Board (G176/G177)

### FIL

SYMBOL NO.	INDEX NO.
FIL11	205
FIL12	205
FIL13	205
FIL14	205
FIL15	205
FIL16	205
FIL17	205

### IC

SYMBOL NO.	INDEX NO.
IC1	133
IC2	134
IC3	256
IC4	255
IC5	142
IC6	143
IC7	256
IC8	255
IC9	1
IC10	256

SYMBOL NO.	INDEX NO.
IC11	138
IC12	132
IC13	122
IC14	256
---	---
IC16	111
IC16	145
---	---
---	---
IC19	140
IC20	144

SYMBOL NO.	INDEX NO.
IC21	139
IC22	124
IC23	153
---	---
---	---
---	---
IC28	124
IC29	149
IC30	150

SYMBOL NO.	INDEX NO.
IC31	151
IC32	148
IC33	123
---	---
IC35	126
---	---
IC36	124
IC37	129
---	---
IC39	131
IC40	127

SYMBOL NO.	INDEX NO.
IC41	147
---	---
---	---
---	---
IC45	130
---	---
IC46	152
IC47	130
---	---
---	---
---	---
---	---

SYMBOL NO.	INDEX NO.
---	---
IC52	139
IC53	125
---	---
---	---
---	---
IC56	135
IC57	120
---	---
---	---
---	---

### IC

SYMBOL NO.	INDEX NO.
---	---
---	---
IC63	135
---	---
---	---
IC66	141
IC67	136
IC68	121
IC69	128
IC70	146

SYMBOL NO.	INDEX NO.
IC71	137

### JP

SYMBOL NO.	INDEX NO.
JP1	203
JP2	203

### L

SYMBOL NO.	INDEX NO.
L1	188
L2	189

### LED

SYMBOL NO.	INDEX NO.
LED1	119

### OSC

SYMBOL NO.	INDEX NO.
---	---
OSC2	157
OSC3	156
OSC4	155

### Q

SYMBOL NO.	INDEX NO.
---	---
---	---
Q3	114
Q4	115
---	---
---	---
Q6	114

## 14.Main CTRL Board (G176/G177)

### RESISTOR

SYMBOL NO.	INDEX NO.	SYMBOL NO.	INDEX NO.	SYMBOL NO.	INDEX NO.	SYMBOL NO.	INDEX NO.	SYMBOL NO.	INDEX NO.	SYMBOL NO.	INDEX NO.	SYMBOL NO.	INDEX NO.
R1	229	R11	229	R21	203	---	---	---	---	R51	203	R61	224
R2	222	R12	203	R22	237	---	---	R42	213	R52	213	R62	241
R3	203	R13	233	R23	242	R32	224	R43	216	R53	224	R63	224
R4	203	R14	233	R24	243	R34	224	R44	224	R54	224	R64	224
---	---	R15	233	R25	224	R35	224	R45	230	---	---	R65	224
---	---	R16	233	R26	237	R36	213	---	---	R56	213	---	---
---	---	R17	247	R27	238	R37	213	---	---	---	---	R67	244
R8	229	R18	203	R28	224	R38	213	R48	212	R58	224	R68	244
R9	229	R19	216	R29	224	R39	221	R49	213	R59	212	R69	239
R10	229	R20	224	R30	238	R40	248	R50	232	R60	224	R70	246

### RESISTOR

SYMBOL NO.	INDEX NO.	SYMBOL NO.	INDEX NO.	SYMBOL NO.	INDEX NO.	SYMBOL NO.	INDEX NO.	SYMBOL NO.	INDEX NO.	SYMBOL NO.	INDEX NO.	SYMBOL NO.	INDEX NO.
R71	241	R81	221	---	---	---	---	R111	204	R121	213	---	---
---	---	---	---	R92	213	---	---	R112	223	---	---	---	---
---	---	R83	227	R93	224	---	---	R113	227	R123	213	---	---
---	---	---	---	R94	226	R104	224	R114	227	---	---	---	---
R75	213	R85	220	R95	226	R105	224	R115	227	R125	213	---	---
---	---	R86	227	R96	224	R106	213	R116	227	---	---	---	---
---	---	R87	227	R97	224	R107	213	R117	227	R127	213	---	---
R78	224	---	---	---	---	R108	213	R118	210	---	---	---	---
R79	213	R89	227	---	---	---	---	R119	210	---	---	R139	224
---	---	R90	212	---	---	R110	213	R120	210	R130	213	---	---

## 14.Main CTRL Board (G176/G177)

### RESISTOR

SYMBOL NO.	INDEX NO.	SYMBOL NO.	INDEX NO.	SYMBOL NO.	INDEX NO.	SYMBOL NO.	INDEX NO.	SYMBOL NO.	INDEX NO.	SYMBOL NO.	INDEX NO.	SYMBOL NO.	INDEX NO.
R141	213	R151	203	R161	203	---	---	---	---	---	---	R201	211
R142	224	---	---	R162	247	R172	212	---	---	R192	230	---	---
---	---	---	---	R163	227	R173	236	---	---	---	---	R203	203
R144	224	R154	212	R164	213	R174	236	---	---	---	---	R204	221
R145	231	R155	203	R165	224	R175	236	R185	212	---	---	---	---
R146	235	---	---	---	---	R176	236	R186	224	---	---	R206	213
R147	213	---	---	R167	203	R177	212	R187	224	---	---	R207	203
R148	235	---	---	---	---	R178	236	R188	224	R198	213	R208	222
R149	227	R159	213	---	---	R179	247	---	---	R199	213	R209	213
R150	235	R160	227	---	---	---	---	R190	236	R200	211	---	---

### RESISTOR

SYMBOL NO.	INDEX NO.	SYMBOL NO.	INDEX NO.	SYMBOL NO.	INDEX NO.	SYMBOL NO.	INDEX NO.	SYMBOL NO.	INDEX NO.	SYMBOL NO.	INDEX NO.	SYMBOL NO.	INDEX NO.
R211	211	R221	224	R231	203	R241	224	R261	213	R271	213	R281	205
R212	213	R222	213	R232	216	R252	247	R262	227	R272	247	---	---
---	---	---	---	---	---	R253	224	R263	213	R273	224	---	---
R214	213	R224	213	R234	213	R254	224	R264	213	R274	213	---	---
R215	213	---	---	R235	213	R255	224	R265	230	R275	213	---	---
R216	213	R226	224	R236	213	R256	224	R266	230	R276	213	R286	224
R217	224	R227	211	R237	203	R257	210	R267	241	R277	250	R287	224
R218	224	R228	224	R238	224	R258	210	R268	213	R278	213	R288	225
R219	213	R229	227	R239	224	R259	210	---	---	R279	213	---	---
---	---	R230	224	R240	224	R260	213	---	---	---	---	---	---



## 14.Main CTRL Board (G176/G177)

### RESISTOR

SYMBOL NO.	INDEX NO.	SYMBOL NO.	INDEX NO.	SYMBOL NO.	INDEX NO.	SYMBOL NO.	INDEX NO.	SYMBOL NO.	INDEX NO.	SYMBOL NO.	INDEX NO.	SYMBOL NO.	INDEX NO.
R291	224	R301	218	---	---	R321	226	R331	224	R341	227	---	---
R292	213	R302	218	R312	213	R322	226	---	---	R342	227	R352	227
---	---	R303	218	---	---	R323	224	---	---	R343	224	---	---
R294	228	R304	227	R314	224	R324	227	R334	224	R344	227	---	---
R295	216	R305	213	R315	227	R325	213	R335	224	R345	213	---	---
R296	216	R306	227	R316	224	---	---	R336	227	R346	213	---	---
R297	216	R307	224	---	---	---	---	---	---	R347	227	---	---
R298	240	---	---	R318	224	---	---	R338	227	---	---	---	---
R299	224	R309	227	R319	227	---	---	---	---	R349	213	---	---
---	---	R310	213	---	---	R330	224	R340	227	---	---	R360	213

### RESISTOR

SYMBOL NO.	INDEX NO.	SYMBOL NO.	INDEX NO.	SYMBOL NO.	INDEX NO.	SYMBOL NO.	INDEX NO.	SYMBOL NO.	INDEX NO.	SYMBOL NO.	INDEX NO.	SYMBOL NO.	INDEX NO.
---	---	R371	226	R381	224	---	---	---	---	---	---	R421	212
R362	227	R372	224	R382	224	---	---	---	---	---	---	---	---
---	---	R373	224	---	---	---	---	---	---	R413	214	R423	211
R364	227	---	---	---	---	R394	227	---	---	---	---	---	---
R365	227	R375	224	R385	227	R395	213	---	---	---	---	---	---
R366	227	R376	224	R386	213	---	---	---	---	R416	214	---	---
R367	213	R377	224	R387	212	R397	210	R407	202	R417	214	R427	212
R368	215	R378	224	R388	213	---	---	R408	202	R418	213	R428	227
R369	215	---	---	R389	213	---	---	R409	201	R419	204	---	---
R370	247	R380	211	---	---	R400	249	R410	212	R420	213	R430	212

## 14.Main CTRL Board (G176/G177)

### RESISTOR

SYMBOL NO.	INDEX NO.	SYMBOL NO.	INDEX NO.	SYMBOL NO.	INDEX NO.	SYMBOL NO.	INDEX NO.	SYMBOL NO.	INDEX NO.	SYMBOL NO.	INDEX NO.	SYMBOL NO.	INDEX NO.
---	---	---	---	R451	224	---	---	R471	205	R481	214	R491	207
---	---	R442	214	R452	224	---	---	---	---	---	---	R492	207
R433	227	R443	213	---	---	R463	205	---	---	---	---	R493	207
---	---	---	---	R454	212	R464	205	R474	205	R484	213	R494	207
---	---	---	---	---	---	---	---	R475	213	---	---	---	---
R436	227	---	---	---	---	---	---	R476	224	R486	209	---	---
---	---	---	---	R457	224	R467	205	R477	226	R487	209	R497	208
---	---	---	---	---	---	R468	205	R478	247	---	---	---	---
R439	212	---	---	R459	212	R469	205	---	---	---	---	R499	224
R440	213	R450	227	---	---	R470	205	---	---	R490	208	R500	224

### RESISTOR

SYMBOL NO.	INDEX NO.	SYMBOL NO.	INDEX NO.	SYMBOL NO.	INDEX NO.	SYMBOL NO.	INDEX NO.	SYMBOL NO.	INDEX NO.	SYMBOL NO.	INDEX NO.	SYMBOL NO.	INDEX NO.
R501	224	---	---	R521	212	R531	205	R541	224	R551	212	---	---
R502	213	---	---	---	---	R532	213	R542	213	R552	214	---	---
---	---	---	---	R523	247	R533	230	R543	213	R553	217	R563	231
R504	224	R514	211	---	---	R534	219	R544	213	---	---	R564	224
R505	213	R515	211	R525	213	R535	219	R545	213	R555	212	---	---
---	---	---	---	---	---	R536	219	R546	230	R556	224	---	---
---	---	---	---	R526	224	R537	219	R547	227	---	---	R567	224
R508	209	---	---	R527	206	R538	219	R548	247	R558	245	R568	213
R509	213	---	---	---	---	R539	219	R549	224	---	---	---	---
R510	212	---	---	R529	206	R540	224	R550	234	---	---	---	---

## 14.Main CTRL Board (G176/G177)

### RESISTOR

SYMBOL NO.	INDEX NO.	SYMBOL NO.	INDEX NO.	SYMBOL NO.	INDEX NO.	SYMBOL NO.	INDEX NO.	SYMBOL NO.	INDEX NO.	SYMBOL NO.	INDEX NO.	SYMBOL NO.	INDEX NO.
---	---	---	---	---	---	---	---	R611	247	---	---	R1301	205
---	---	---	---	---	---	---	---	R612	247	---	---	R1302	205
R573	213	R583	226	---	---	---	---	---	---	---	---	R1303	205
---	---	R584	226	---	---	R604	214	---	---	---	---	---	---
---	---	R585	226	---	---	---	---	---	---	---	---	---	---
R576	234	R586	247	---	---	R606	213	---	---	---	---	---	---
R577	224	---	---	---	---	R607	247	---	---	---	---	---	---
---	---	R588	247	R598	213	R608	203	---	---	---	---	---	---
R579	213	---	---	R599	213	R609	213	---	---	---	---	---	---
R580	204	---	---	---	---	R610	212	---	---	R1300	205	---	---

### RESISTOR

SYMBOL NO.	INDEX NO.	SYMBOL NO.	INDEX NO.	SYMBOL NO.	INDEX NO.	SYMBOL NO.	INDEX NO.	SYMBOL NO.	INDEX NO.	SYMBOL NO.	INDEX NO.	SYMBOL NO.	INDEX NO.
R1501	219	R1511	219	R1521	219	R1531	219	R1541	207	---	---	RN1	197
R1502	219	R1512	219	R1522	219	R1532	219	R1542	207	---	---	RN2	191
R1503	219	R1513	219	R1523	219	R1533	230	R1543	207	---	---	RN3	200
R1504	219	R1514	219	R1524	219	R1534	230	R1544	207	---	---	RN4	200
R1505	219	R1515	219	R1525	219	R1535	230	---	---	---	---	RN5	195
R1506	219	R1516	219	R1526	219	R1536	230	---	---	---	---	RN6	196
R1507	219	R1517	219	R1527	219	---	---	---	---	---	---	RN7	191
R1508	219	R1518	219	R1528	219	---	---	---	---	---	---	RN8	196
R1509	219	R1519	219	R1529	219	---	---	---	---	R1608	226	RN9	192
R1510	219	R1520	219	R1530	219	R1540	207	---	---	R1609	226	RN10	191

### RN

## 14.Main CTRL Board (G176/G177)

### RN

SYMBOL NO.	INDEX NO.	SYMBOL NO.	INDEX NO.	SYMBOL NO.	INDEX NO.	SYMBOL NO.	INDEX NO.	SYMBOL NO.	INDEX NO.	SYMBOL NO.	INDEX NO.	SYMBOL NO.	INDEX NO.
RN11	192	RN21	194	RN31	190	RN41	198	RN51	191	---	---	RN71	193
RN12	194	RN22	194	RN32	190	RN42	196	RN52	191	RN62	191	RN72	193
RN13	196	RN23	190	RN33	192	RN43	196	RN53	191	RN63	191	---	---
RN14	194	RN24	192	---	---	RN44	194	RN54	195	RN64	196	---	---
RN15	196	RN25	199	---	---	RN45	197	RN55	197	RN65	192	---	---
RN16	196	RN26	196	RN36	195	RN46	197	RN56	196	RN66	192	RN76	197
RN17	194	RN27	191	RN37	191	RN47	191	RN57	196	RN67	191	RN77	197
RN18	190	RN28	196	---	---	RN48	191	---	---	RN68	194	RN78	197
RN19	190	RN29	196	RN39	196	RN49	197	RN59	191	RN69	193	RN79	197
RN20	190	---	---	RN40	198	RN50	191	RN60	191	RN70	193		

### SWITCH

SYMBOL NO.	INDEX NO.
SW2	112

## 14.Main CTRL Board (G176/G177)

Index No.	Part No.	Description	Q'ty Per Assembly
*	G177 5317	PCB: CTL: Sincere-P1C: Sub-Ass'y (G176/G177)	1
*	G176 5318	PCB: CTL: Sincere-P1C: Sub-Ass'y (G176L)	1
1	B229 7180	Asic: Charango	1

Index No.	Part No.	Description	Q'ty Per Assembly
101	1102 4203	CT Header - 4P	
102	1102 7615	Connector - B8B-XH-A	
103	1102 7625	Connector - TX24-80R-LT-N1	
104	1102 8329	Connector - USB - UBB-4R-D14C	
105	1102 8356	Connector - FX2MAB-44P	
106	1102 8832	Connector - DM-3D4-B3210	
107	1102 9079	Connector - RHM-88PL-SDK11-1	
108	1102 9336	Connector: FPS009-2300-0	
109	1102 9650	Connector - DHA-RAA36-R21VN	
110	1102 9890	Connector: 5-1605706-2	
111	1104 0821	IC Socket: 16008-B0A0020N	
112	1204 2756	Dip Switch: NDI-04H-V	
113	1206 0112	Primary Lithium Cell: CR1632/1F2	
114	1401 1228	Fet: SI3433DV-E3	
115	1401 1296	Fet: TPC8115	
116	1402 1664	Diode - HSU83	
117	1402 1909	Diode: SDB310D	
118	1402 1911	Diode - SDS511	
119	1403 1131	LED: SML-311UT	
120	1407 4919	IC - 74VHCT244 TSSOP	
121	1407 5140	IC: TC74VHCT14AF	
122	1407 5300	CMOS Logic - 74LVC16244A TSSOP	
123	1407 5344	IC - SN74LV02APW	
124	1407 5351	IC - SN74LV14APW	
125	1407 5369	IC - SN74AHCT32PW	
126	1407 5469	IC - SN74LV07APW	
127	1407 5482	IC - SN74LVC07APW	
128	1407 5508	IC - SN74LV125APW	
129	1407 5511	IC - SN74LVC14APW	
130	1407 5520	IC - SN74LVC125APW	
131	1407 5523	ROM - I2C SOP 3V	
132	1407 5604	IC - SN74LVC16245ADGG	
133	1407 5868	Ethernet Cont LSI - DP83847ALQA56A	
134	1407 5960	IC - SN74LVCZ161284ADGG	
135	1407 6100	IC: SN74LVC1G04DCK	

Index No.	Part No.	Description	Q'ty Per Assembly
136	1407 6123	IC SN74LVC2G125DCU	
137	1407 6132	IC: SN74LVC1G08DCK	
138	1407 6145	IC: SN74LVC373APW	
139	1407 6187	CMOS Logic - SN74LVC1G07DCK	
140	1407 6203	CMOS Logic - SN74LVC3G07DCT	
141	1407 6205	CMOS Logic - SN74LVC1G06DCK	
142	1407 6265	Real Time Clock: R2025S	
143	1407 6305	CPU - RM5231A-400L	
144	1407 6400	Clock Generator - ICS960013BFLF	
145	1407 6465	RAM: FM25I256-PG(REV.AG)	
146	1407 6468	CMOS Logic: SN74AHCT1G126DCK	
147	1407 6562	IC - SN74LVC1G126DCK	
148	1408 1778	IC: R3112Q101A	
149	1408 1815	IC - R3112Q151A	
150	1408 1826	IC - R3112Q421A	
151	1408 2053	IC: R3112Q291A-FA	
152	1408 2096	IC - BD9103FVM	
153	1408 2213	DC/DC Converter - H8D3214	
154	1502 0063	Buzzer: PKM22EPPH4002-B0	
155	1503 0842	Oscillator - 14.31818MHz	
156	1503 1138	Crystal Oscillator - 48MHz	
157	1503 1309	Crystal Oscillator - 25MHz	
158	1604 4728	Capacitor - 100 $\mu$ F $\pm$ 20% 16V	
159	1604 5135	Capacitor - 1000 $\mu$ F $\pm$ 20% 10V	
160	1605 1124	Capacitor - 4.7 $\mu$ F+80 -20% 10V	
161	1605 1194	Capacitor: 3pF: $\pm$ 0.25pF: 50V	
162	1605 1199	Capacitor - 8pF $\pm$ 0.5pF 50V	
163	1605 1200	Capacitor - 10pF $\pm$ 0.5pF 50V	
164	1605 1204	Capacitor-pF50V	
165	1605 1205	Capacitor - 33pF $\pm$ 5% 50V	
166	1605 1208	Capacitor: 100pF: $\pm$ 5%: 50V	
167	1605 1211	Capacitor - 220pF $\pm$ 10% 50V	
168	1605 1212	Capacitor - 470pF $\pm$ 10% 50V	
169	1605 1214	Capacitor - 1000pF $\pm$ 10% 50V	
170	1605 1221	Capacitor - 0.1 $\mu$ F+80-20%16V	

Index No.	Part No.	Description	Q'ty Per Assembly
171	1605 1240	Capacitor - 0.01 $\mu$ F $\pm$ 10% 25V	
172	1605 1289	Capacitor - 0.1 $\mu$ F $\pm$ 10% 10V	
173	1605 1295	Capacitor: 10 $\mu$ F: +80-20%: 10V	
174	1605 1296	Capacitor - 330pF $\pm$ 10% 50V	
175	1605 1303	Capacitor - 0.01 $\mu$ F+80-20% 50V	
176	1605 1305	Capacitor - 1 $\mu$ F+80-20% 6.3V	
177	1605 1306	Capacitor - 1 $\mu$ F $\pm$ 10% 10V	
178	1605 1307	Capacitor - 2.2 $\mu$ F+80-20% 11V	
179	1605 1344	Capacitor - 33pF $\pm$ 5% 50V	
180	1605 1391	Capacitor - 22 $\mu$ F: $\pm$ 20%: 6.3V	
181	1605 1406	Capacitor - 10 $\mu$ F $\pm$ 10% 6.3V	
182	1605 1447	Resistor - 470pF $\pm$ 5% 50V	
183	1605 1474	Capacitor - 47 $\mu$ F $\pm$ 20% 6.3V	
184	1605 1597	Capacitor: 2.2 $\mu$ F: +80-20%: 50V	
185	1607 0978	Inductor - BLM21P300SPB	
186	1607 1051	Filter -FBMJ2125HS420	
187	1607 1061	Filter - BLM11P300SPB	
188	1607 1362	Coil - ACM3225-800-2P	
189	1607 1477	Inductor - RLF7030-4R7M3R4	
190	1609 0005	Resistor: 33 $\Omega$ : $\pm$ 5%: 1/16W	
191	1609 0006	Resistor: 10K $\Omega$ : $\pm$ 5%: 1/16W	
192	1609 0011	Resistor: 22 $\Omega$ : $\pm$ 5%: 1/16W	
193	1609 0016	Resistor: 56 $\Omega$ : $\pm$ 5%: 1/16W	
194	1609 0026	Resistor - 47 $\Omega$ $\pm$ 5% 1/16W	
195	1609 0096	Resistor Array: 10K $\Omega$ : $\pm$ 5%: 1/16W: 4Number	
196	1609 0098	Resistor Array: 33 $\Omega$ : $\pm$ 5%: 1/16W: 4Number	
197	1609 0101	Resistor Array: 47 $\Omega$ : $\pm$ 5%: 1/16W: 4Number	
198	1609 0110	Resistor Array: 10 $\Omega$ : $\pm$ 5%: 1/16W: 4Number	
199	1609 0111	Resistor Array: 1k $\Omega$ : $\pm$ 5%: 1/16W: 4Number	
200	1609 0114	Resistor Array: 68 $\Omega$ : $\pm$ 5%: 1/16W: 4Number	
201	1610 1377	Resistor - 0.1 $\Omega$ $\pm$ 2% 1/2W	
202	1610 1871	Resistor - 0.22 $\Omega$ $\pm$ 1%	
203	1632 0000	Resistor - 0 $\Omega$ 1/8W	
204	1633 0000	Resistor - 0 $\Omega$ 1/10W	
205	1634 0000	Resistor - 0 $\Omega$ 1/16W	

Index No.	Part No.	Description	Q'ty Per Assembly
206	1650 4102	Resistor - 1K $\Omega$ $\pm$ 5% 1/10W	
207	1650 4220	Chip Resistor - 22 $\Omega$ $\pm$ 5% 1/10W	
208	1650 4330	Chip Resistor - 33 $\Omega$ $\pm$ 5% 1/10W	
209	1650 4470	Resistor - 47 $\Omega$ $\pm$ 5%1/10W	
210	1650 5100	Chip Resistor - 10 $\Omega$ $\pm$ 5%1/16W	
211	1650 5101	Chip Resistor - 100 $\Omega$ $\pm$ 5%1/16W	
212	1650 5102	Chip Resistor - 1K $\Omega$ $\pm$ 5%1/16W	
213	1650 5103	Chip Resistor - 10K $\Omega$ $\pm$ 5%1/16W	
214	1650 5104	Chip Resistor - 100K $\Omega$ $\pm$ 5%1/16W	
215	1650 5109	Chip Resistor 1 $\Omega$ $\pm$ 5% 1/16W	
216	1650 5122	Chip Resistor - 1.2K $\Omega$ $\pm$ 5%1/16W	
217	1650 5182	Chip Resistor - 1.8K $\Omega$ $\pm$ 5%1/16W	
218	1650 5203	Resistor - 20K $\Omega$ $\pm$ 5% 1/16W	
219	1650 5220	Resistor - 22 $\Omega$ $\pm$ 5% 1/16W	
220	1650 5221	Chip Resistor - 220 $\Omega$ $\pm$ 5%1/16W	
221	1650 5222	Resistor - 2.2K $\Omega$ $\pm$ 5% 1/16W	
222	1650 5271	Chip Resistor 270 $\Omega$ $\pm$ 5% 1/16w	
223	1650 5272	Chip Resistor: 2.7K $\Omega$ : $\pm$ 5%: 1/16W	
224	1650 5330	Chip Resistor - 33 $\Omega$ $\pm$ 5%1/16W	
225	1650 5332	Resistor - 3.3K $\Omega$ $\pm$ 5% 1/16W	
226	1650 5470	Chip Resistor 47 $\Omega$ $\pm$ 5% 1/16w	
227	1650 5472	Chip Resistor: 4.7K $\Omega$ : $\pm$ 5%: 1/16W	
228	1650 5473	Chip Resistor - 47K $\Omega$ $\pm$ 5% 1/16W	
229	1650 5512	Chip Resistor 5.1k $\Omega$ $\pm$ 5% 1/16w	
230	1650 5560	Chip Resistor 56 $\Omega$ $\pm$ 5% 1/16W	
231	1650 5562	Chip Resistor: 5.6K $\Omega$ : $\pm$ 5%: 1/16W	
232	1650 5621	Chip Resistor 620 $\Omega$ $\pm$ 5% 1/16w	
233	1650 5680	Resistor - 68 $\Omega$ $\pm$ 5% 1/16W	
234	1650 5683	Chip Resistor 68K $\Omega$ $\pm$ 5% 1/16W	
235	1650 5820	Chip Resistor: 82 $\Omega$ : $\pm$ 5%: 1/16W	
236	1650 5822	Chip Resistor: 8.2K $\Omega$ : $\pm$ 5%: 1/16W	
237	1653 4999	Resistor - 49.9 $\Omega$ $\pm$ 1% 1/8W	
238	1653 5499	Resistor - 54.9 $\Omega$ $\pm$ 1% 1/8W	
239	1654 1004	Chip Resistor - 1M $\Omega$ $\pm$ 1% 1/10W	
240	1654 1102	Resistor - 11K $\Omega$ $\pm$ 1%1/10W	

Index No.	Part No.	Description	Q'ty Per Assembly
241	1654 1501	Resistor - 1.5K $\Omega$ $\pm$ 1% 1/10W 1608	
242	1654 1502	Resistor - 15K $\Omega$ $\pm$ 1% 1/10W	
243	1654 3002	Resistor - 30K $\Omega$ $\pm$ 1%1/10W	
244	1654 3909	Resistor - 39 $\Omega$ $\pm$ 1%1/10W	
245	1654 5101	Resistor - 5.1K $\Omega$ $\pm$ 1% 1/10W	
246	1654 6800	Resistor - 680 $\Omega$ $\pm$ 1% 1/10W	
247	1655 0000	Chip Resistor - 0 $\Omega$ $\pm$ 0%1/16W	
248	1655 1002	Chip Resistor - 10K $\Omega$ $\pm$ 1%1/16W	
249	1655 1502	Resistor - 15K $\Omega$ $\pm$ 1% 1/16W	
250	1655 1651	Resistor: 1.65k $\Omega$ : $\pm$ 1%: 1/16W: 1005	
251	1660 2471	Capacitor - 470pF - $\pm$ 5% - 50V	
252	1660 4472	Capacitor - 4700pF $\pm$ 10% 50V	
253	1660 6103	Capacitor - 10000pF - +80%-20%50V	
254	1660 8104	Capacitor - 0.1 $\mu$ F $\pm$ 20% 25V	
255	1906 0105	Flash Memory: S29GL128N10TFI020	
256	1907 0013	SDRAM: 256m: 4mx16x4: 133MHz: G1	

## 15.Engine Board (G176/G177)

### CAPACITOR

SYMBOL NO.	INDEX NO.	SYMBOL NO.	INDEX NO.	SYMBOL NO.	INDEX NO.	SYMBOL NO.	INDEX NO.	SYMBOL NO.	INDEX NO.	SYMBOL NO.	INDEX NO.	SYMBOL NO.	INDEX NO.
C1	145	C11	199	C21	192	C31	195	C41	155	C51	150	---	---
---	---	C12	149	C22	192	C32	195	C42	155	C52	150	C62	154
C3	146	---	---	C23	195	C33	195	C43	155	C53	150	C63	199
C4	146	C14	188	C24	153	C34	153	C44	155	C54	150	C64	199
---	---	C15	188	C25	153	C35	195	C45	155	C55	199	C65	199
C6	152	C16	189	C26	190	C36	155	C46	155	C56	149	---	---
C7	156	C17	190	C27	194	C37	155	C47	155	C57	195	C67	199
C8	156	C18	190	C28	153	C38	155	C48	155	C58	199	C68	199
C9	156	C19	190	---	---	---	---	C49	155	C59	199	---	---
C10	156	C20	151	---	---	C40	155	C50	198	---	---	C70	199

### CAPACITOR

SYMBOL NO.	INDEX NO.	SYMBOL NO.	INDEX NO.	SYMBOL NO.	INDEX NO.	SYMBOL NO.	INDEX NO.	SYMBOL NO.	INDEX NO.	SYMBOL NO.	INDEX NO.	SYMBOL NO.	INDEX NO.
---	---	C81	199	C91	195	---	---	---	---	C121	199	C131	149
C72	199	C82	199	C92	199	---	---	---	---	C122	199	---	---
C73	154	C83	154	---	---	---	---	C113	195	---	---	C133	149
C74	154	C84	199	C94	199	---	---	C114	196	---	---	---	---
C75	199	C85	154	C95	199	C105	155	C115	196	C125	146	C135	154
C76	154	C86	195	C96	199	C106	154	C116	195	---	---	C136	191
C77	199	C87	195	C97	199	---	---	C117	199	---	---	C137	197
C78	199	C88	195	C98	154	C108	199	C118	195	C128	149	C138	153
C79	199	C89	199	---	---	C109	155	C119	199	---	---	C139	154
C80	199	C90	199	C100	155	C110	195	---	---	---	---	C140	147



## 15.Engine Board (G176/G177)

### CAPACITOR

SYMBOL NO.	INDEX NO.
C141	195
C142	199
---	---
---	---
C145	153
---	---
C147	153
---	---
C149	199
C150	195

SYMBOL NO.	INDEX NO.
C151	199
C152	195
C153	149
C154	195
C155	199
---	---
C156	199
C157	198
C158	193
---	---
---	---

SYMBOL NO.	INDEX NO.
C161	155
C162	155
C163	195
---	---
C165	191
---	---
C166	191
C167	191
C168	190
C169	190
---	---

SYMBOL NO.	INDEX NO.
C171	150
C172	148

### CONNECTOR

SYMBOL NO.	INDEX NO.
CN1	111
CN2	119
CN3	115
CN4	114
CN5	110
---	---
CN6	120
CN7	106
CN8	107
CN9	109
CN10	101

SYMBOL NO.	INDEX NO.
CN11	102
CN12	103
CN13	104
CN14	101
CN15	118
---	---
CN16	116
CN17	117
CN18	102
---	---
CN20	113

SYMBOL NO.	INDEX NO.
CN21	105
CN22	112

### DIONE

SYMBOL NO.	INDEX NO.
---	---
D2	130
D3	130
D4	129

### FIL

SYMBOL NO.	INDEX NO.
---	---
---	---
---	---
---	---
---	---
---	---
FIL6	161
FIL7	158
FIL8	160
FIL9	160
---	---

SYMBOL NO.	INDEX NO.
---	---
FIL12	160
---	---
---	---
---	---
---	---
FIL16	157

### FUSE

SYMBOL NO.	INDEX NO.
FU1	122

### IC

SYMBOL NO.	INDEX NO.
IC1	132
IC2	1
IC3	2
IC4	200
IC5	121
IC5	135
---	---
---	---
IC8	132
IC9	138
IC10	134

### JP

SYMBOL NO.	INDEX NO.
---	---
---	---
---	---
---	---
---	---
---	---
JP27	165
---	---
JP29	165
---	---

SYMBOL NO.	INDEX NO.
JP31	165
---	---
---	---
JP34	165
---	---
---	---
JP36	165
---	---
---	---
JP39	165
---	---

## 15.Engine Board (G176/G177)

### JP

SYMBOL NO.	INDEX NO.
---	---
---	---
---	---
JP44	165

### L

SYMBOL NO.	INDEX NO.
L1	159

### OSC

SYMBOL NO.	INDEX NO.
OSC1	139

### Q

SYMBOL NO.	INDEX NO.
Q1	133
---	---
---	---
Q4	128
---	---
Q6	126
Q7	126
Q8	125
Q9	127
Q10	125

### RESISTOR

SYMBOL NO.	INDEX NO.
Q11	125
Q12	125
Q13	125
---	---
Q15	124

SYMBOL NO.	INDEX NO.
R1	164
R2	164
R3	167
R4	167
R5	167
R6	167
R7	167
R8	167
R9	167
R10	167

SYMBOL NO.	INDEX NO.
R11	167
R12	167
R13	167
R14	168
---	---
R16	168
R17	168
R18	168
R19	168
R20	168

### RESISTOR

SYMBOL NO.	INDEX NO.
R21	174
R22	168
R23	168
R24	168
R25	168
R26	168
R27	168
R28	168
R29	168
R30	168

SYMBOL NO.	INDEX NO.
R31	168
R32	168
R33	168
R34	168
R35	168
R36	168
---	---
---	---
---	---
---	---
---	---

SYMBOL NO.	INDEX NO.
---	---
---	---
R43	169
---	---
---	---
---	---
---	---
R49	169
R50	169

SYMBOL NO.	INDEX NO.
R51	185
R52	169
R53	169
R54	169
R55	169
---	---
---	---
---	---
---	---
---	---

SYMBOL NO.	INDEX NO.
R61	171
R62	172
R63	172
R64	172
R65	173
R66	173
R67	173
R68	173
R69	173
R70	173

SYMBOL NO.	INDEX NO.
R71	168
R72	175
R73	168
R74	167
R75	167
R76	167
---	---
---	---
---	---
R79	177
---	---

SYMBOL NO.	INDEX NO.
R81	179
R82	179
R83	179
R84	179
---	---
---	---
R87	179
R88	179
R89	179
R90	168

## 15.Engine Board (G176/G177)

### RESISTOR

SYMBOL NO.	INDEX NO.	SYMBOL NO.	INDEX NO.	SYMBOL NO.	INDEX NO.	SYMBOL NO.	INDEX NO.	SYMBOL NO.	INDEX NO.	SYMBOL NO.	INDEX NO.	SYMBOL NO.	INDEX NO.
R91	184	R101	173	R111	163	R121	176	---	---	R141	169	R151	176
R92	184	R102	171	R112	162	R122	176	---	---	---	---	---	---
---	---	R103	168	---	---	---	---	---	---	R143	168	---	---
---	---	R104	169	R114	166	---	---	R134	167	---	---	---	---
R95	183	---	---	R115	166	R125	165	---	---	R145	168	---	---
---	---	---	---	R116	166	---	---	R136	173	---	---	---	---
R97	178	R107	167	R117	166	R127	181	R137	169	R147	168	---	---
R98	186	R108	168	R118	176	---	---	R138	169	R148	180	R158	168
R99	187	R109	169	R119	176	R129	181	---	---	---	---	R159	173
R100	187	R110	169	R120	176	R130	170	---	---	---	---	R160	172

### RESISTOR

SYMBOL NO.	INDEX NO.	SYMBOL NO.	INDEX NO.	SYMBOL NO.	INDEX NO.	SYMBOL NO.	INDEX NO.	SYMBOL NO.	INDEX NO.	SYMBOL NO.	INDEX NO.	SYMBOL NO.	INDEX NO.
R161	183	---	---	R181	167	---	---	RN1	140	RN11	141	RN21	143
R162	183	---	---	R182	176	---	---	RN2	140	---	---	RN22	143
R163	169	R173	168	R183	167	---	---	RN3	140	---	---	RN23	143
---	---	R174	168	R184	167	---	---	RN4	140	---	---	RN24	144
R165	169	---	---	R185	176	---	---	---	---	RN15	142	RN25	144
R166	170	---	---	R186	176	---	---	RN6	140	RN16	142	RN26	144
R167	182	---	---	---	---	---	---	RN7	140	RN17	142	RN27	144
R168	168	R178	176	---	---	---	---	RN8	140	RN18	142	RN28	144
R169	168	R179	176	---	---	---	---	RN9	141	RN19	142	RN29	144
R170	168	R180	167	---	---	---	---	RN10	141	RN20	142	RN30	144

### REG

SYMBOL NO.	INDEX NO.
REG1	137
REG2	136

### RN

SYMBOL NO.	INDEX NO.	SYMBOL NO.	INDEX NO.	SYMBOL NO.	INDEX NO.	SYMBOL NO.	INDEX NO.
RN1	140	RN11	141	RN21	143	RN22	143
RN2	140	---	---	RN23	143	RN24	144
RN3	140	---	---	RN25	144	---	---
RN4	140	---	---	---	---	RN26	144
---	---	RN15	142	RN27	144	RN28	144
RN6	140	RN16	142	RN29	144	RN30	144
RN7	140	RN17	142	---	---	---	---
RN8	140	RN18	142	---	---	---	---
RN9	141	RN19	142	---	---	---	---
RN10	141	RN20	142	---	---	---	---

## 15.Engine Board (G176/G177)

### RN

SYMBOL NO.	INDEX NO.
RN31	144
RN32	144
RN33	144

### SWITCH

SYMBOL NO.	INDEX NO.
SW1	123

### TB

SYMBOL NO.	INDEX NO.
TB1	108

### ZD

SYMBOL NO.	INDEX NO.
ZD1	131

## 15.Engine Board (G176/G177)

Index No.	Part No.	Description	Q'ty Per Assembly
*	G175 5603	Engine Board - LT (G176/G177)	1
*	G175 5602	Engine Board - LT (G176/G177)	1
*	G175 5606	PCB: EGB: NA: L (G176L)	1
*	G175 5605	Engine Board - A/B (G176/G177)	1
*	G175 5604	Engine Board - A/B (G176/G177)	1
*	G175 5607	PCB: EGB: EU: L (G176L)	1
1	G088 5353	IC: RL5C580	1
2	GY20 0012	IC: E-MAC2	1


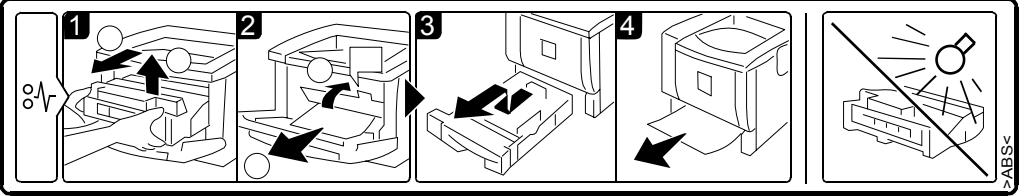

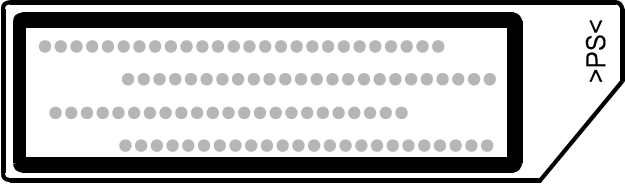
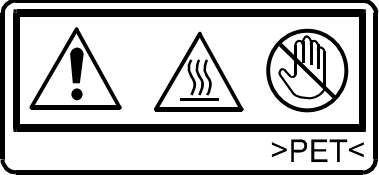
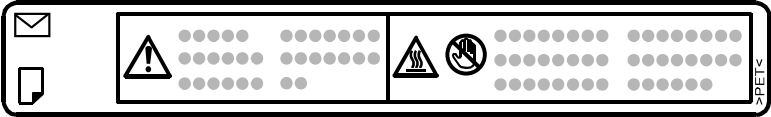

Index No.	Part No.	Description	Q'ty Per Assembly
101	1102 4201	Connector - 2P	
102	1102 4202	Connector - 3P	
103	1102 4203	CT Header - 4P	
104	1102 4205	CT Header - 6P	
105	1102 4207	Connector - 8P	
106	1102 4631	CT Connector - 2P	
107	1102 4643	CT Connector - 2P	
108	1102 5943	Connector - 2P	
109	1102 6295	Connector - 2P	
110	1102 6306	Connector - 13P	
111	1102 6592	Connector - 8P	
112	1102 7626	Connector - TX25-80P-LT-N1	
113	1103 3849	Connector: 52610-1015	
114	1103 3983	Connector	
115	1103 3987	Connector	
116	1103 3988	Connector	
117	1103 3989	Connector	
118	1103 3990	Connector	
119	1103 3999	Connector	
120	1103 4002	Connector	
121	1104 0764	IC Socket - 8 PIN	
122	1109 0039	Circuit Protector - ICP-S2.3	
123	1204 1541	Dip Switch	
124	1400 0571	Transistor - 2SA1577	
125	1400 0688	Transistor -DTC143ZUA	
126	1400 0767	Transistor: DTA114EUA	
127	1400 0801	Transistor - DTC113ZUA	
128	1401 0972	Transistor-2SB1260	
129	1402 0545	Diode - 1SS244	
130	1402 1336	Diode - 1SS355	
131	1402 1511	Zenerdiode - MTZJ13B	
132	1407 2187	TTLIC - SN74LS07NS	
133	1407 2219	IC - TD62003AP	
134	1407 5161	CPU- HD64F2633WF25	
135	1407 5271	Eeprom - M24C02-BN6	



Index No.	Part No.	Description	Q'ty Per Assembly
136	1408 1770	Series Regulator - R5323N013A	
137	1408 1834	IC - R5510H011N	
138	1408 1911	Comparator - LM2903PW	
139	1503 0697	Crystal Oscillator MA-406 20MHz	
140	1601 7752	Resistor Array - 10K $\Omega$ $\pm$ 5%	
141	1601 7791	Resistor Array - 1K $\Omega$ $\pm$ 5%	
142	1601 7866	Resistor Array - 150 $\Omega$ $\pm$ 5%	
143	1601 7871	Resistor - 68 $\Omega$ $\pm$ 5% 1/16W	
144	1601 7898	Resistor Array	
145	1604 4730	Capacitor - 47 $\mu$ F $\pm$ 20% 50V	
146	1604 4733	Capacitor - 100 $\mu$ F $\pm$ 20% 10V	
147	1604 4955	Capacitor - 10 $\mu$ F $\pm$ 20% 16V	
148	1604 5065	Capacitor 10 $\mu$ F: $\pm$ 20%: 50V	
149	1605 0976	Capacitor - 1 $\mu$ F+80% -20% 10V	
150	1605 1148	Capacitor - 0.1 $\mu$ F+80-20% 50V	
151	1605 1163	Ceramic Capacitor - 560pF: $\pm$ 5%: 50V	
152	1605 1190	Resistor - 0.022 $\mu$ F $\pm$ 10% 50V	
153	1605 1214	Capacitor - 1000pF $\pm$ 10% 50V	
154	1605 1221	Capacitor - 0.1 $\mu$ F+80-20%16V	
155	1605 1303	Capacitor - 0.01 $\mu$ F+80-20% 50V	
156	1605 1353	Capacitor - 0.1 $\mu$ F $\pm$ 10% 25V	
157	1607 0810	Filter - BK2125HS121	
158	1607 1076	Filter - MMZ1608Y152B	
159	1607 1196	Inductor -220UH $\pm$ 20% 0.33A	
160	1607 1241	Filter - MMZ1608R102C	
161	1607 1489	Filter - MMZ1608B301C	
162	1610 1409	Chip Resistor - 6.8 $\Omega$ $\pm$ 5%	
163	1610 1732	Resistor: 270 $\Omega$ : $\pm$ 5%: 1W: 6332	
164	1611 8472	Resistor - 4.7K $\Omega$	
165	1634 0000	Resistor - 0 $\Omega$ 1/16W	
166	1650 4100	Resistor - 10 $\Omega$ $\pm$ 5% 1/10W	
167	1650 4101	Resistor - 100 $\Omega$ $\pm$ 5%1/10W	
168	1650 4102	Resistor - 1K $\Omega$ $\pm$ 5% 1/10W	
169	1650 4103	Resistor - 10K $\Omega$ $\pm$ 5% 1/10W	
170	1650 4122	Resistor - 1.2K $\Omega$ $\pm$ 5% 1/10W	



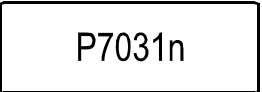

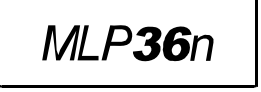
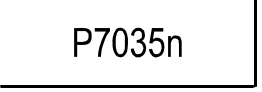

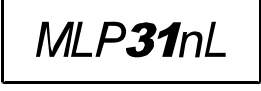
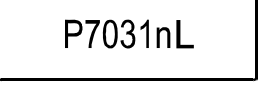
Index No.	Part No.	Description	Q'ty Per Assembly
171	1650 4153	Resistor - 15K $\Omega$ $\pm$ 5% 1/10W	
172	1650 4201	Resistor - 200 $\Omega$ $\pm$ 5%1/10W	
173	1650 4222	Resistor - 2.2K $\Omega$ $\pm$ 5%1/10W	
174	1650 4300	Resistor - 30 $\Omega$ $\pm$ 5%1/10W	
175	1650 4302	Resistor - 3K $\Omega$ $\pm$ 5%1/10W	
176	1650 4330	Chip Resistor - 33 $\Omega$ $\pm$ 5% 1/10W	
177	1650 4431	Resistor - 430 $\Omega$ $\pm$ 5% 1/10W	
178	1650 4471	Resistor - 470 $\Omega$ $\pm$ 5%1/10W	
179	1650 4472	Resistor - 4.7K $\Omega$ $\pm$ 5% 1/10W	
180	1650 4473	Resistor - 47K $\Omega$ $\pm$ 5%1/10W	
181	1650 4563	Resistor - 56K $\Omega$ $\pm$ 5%1/10W	
182	1650 4622	Resistor: 6.2K $\Omega$ : $\pm$ 5%: 1/10W	
183	1650 4680	Resistor - 68 $\Omega$ $\pm$ 5%1/10W	
184	1650 4681	Resistor - 680 $\Omega$ $\pm$ 5% 1/10W	
185	1654 1002	Resistor - 10K $\Omega$ $\pm$ 5%1/10W	
186	1654 4301	Resistor - 4.3K $\Omega$ $\pm$ 1%1/10W	
187	1654 6801	Resistor - 6.8K $\Omega$ $\pm$ 1% 1/10W	
188	1660 0100	Capacitor - 10pF $\pm$ 0.5pF 50V	
189	1660 2101	Capacitor - 100pF - $\pm$ 10% - 50V	
190	1660 2220	Capacitor - 22pF $\pm$ 20% 35V	
191	1660 2221	Capacitor - 220pF +80-20% 50V	
192	1660 2330	Capacitor - 33pF - $\pm$ 5% - 50V	
193	1660 2391	Capacitor - 390pF $\pm$ 5% 50V	
194	1660 2471	Capacitor - 470pF - $\pm$ 5% - 50V	
195	1660 4102	Capacitor - 1000pF $\pm$ 10% 50V	
196	1660 4103	Capacitor - 10000pF - $\pm$ 10% - 50V	
197	1660 4222	Capacitor - 2200pF - $\pm$ 10% - 50V	
198	1660 4332	Capacitor - 3300pF - $\pm$ 10% - 50V	
199	1660 8104	Capacitor - 0.1 $\mu$ F $\pm$ 20% 25V	
200	1902 0056	RAM - 256K X870NS G14	

# 16. Decals and Documents (G176/G177)

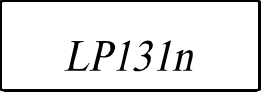
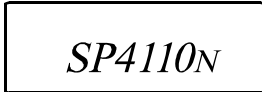
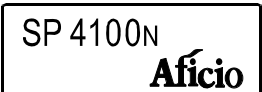
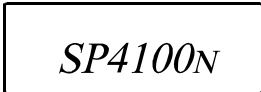
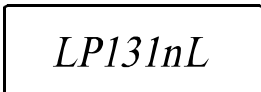
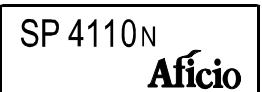
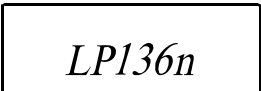
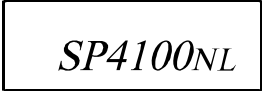

<p>1</p> 	<p>3</p> 
<p>2</p> 	
<p>4</p> 	<p>5</p> 
<p>6</p> 	<p>7</p> 






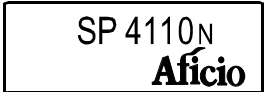
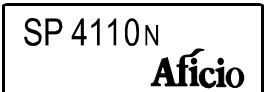




## 16. Decals and Documents (G176/G177)

8 	11 	14 
9 	12 	15 
10 	13 	16 







## 16.Decals and Documents (G176/G177)

17 	20 	23 
18 	21 	24 
19 	22 	25 

## 16.Decals and Documents (G176/G177)

26 	29 	32 
27 	30 	33 
28 	31 	34 

16.Decals and Documents (G176/G177)

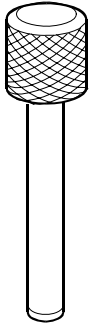
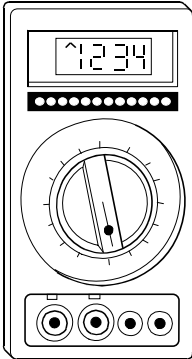
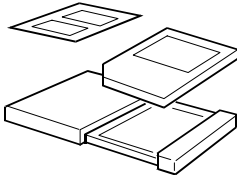
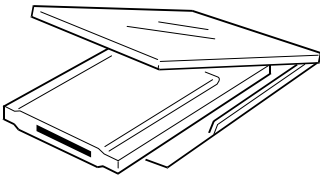
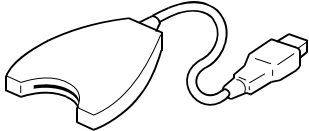
35 	38 	
36 	39 	
37 	40 	

## 16.Decals and Documents (G176/G177)

Index No.	Part No.	Description	Q'ty Per Assembly
1	AA00 0301	Decal Warning (High Temperature)	1
2	G052 3351	Decal - Registration	1
3	G096 1551	Misfeed Removal Decal	1
4	G111 1910	Caution Decal - Laser	1
5	G128 1151	Decal: Warning (High Temperature)	1
6	G175 4693	Decal - High Temperature	1
7	GA00 0055	Decal: PS: PDF: E_Star	1
8	G176 1464	Modelname Plate - RIC (G176/G177)	1
9	G177 1464	Modelname Plate - RIC (G176/G177)	1
10	G176 1475	Name Plate: RIC: SP4100NL (G176L)	1
11	G176 1465	Model Name Decal - SVN (G176/G177)	1
12	G177 1465	Model Name Decal- SVN (G176/G177)	1
13	G176 1476	Name Plate: SVN: MLP31NL (G176L)	1
14	G176 1466	Model Name Decal -GES NA (G176/G177)	1
15	G177 1466	Model Name Decal- GES NA (G176/G177)	1
16	G176 1477	Name Plate: GES: P7031NL (G176L)	1
17	G176 1467	Model Name Decal- LAN NA (G176/G177)	1
18	G176 1471	Model Name Decal- LAN EU (G176/G177)	1
19	G177 1467	Model Name Decal- LAN NA (G176/G177)	1
20	G177 1471	Model Name Decal -LAN EU (G176/G177)	1
21	G176 1478	Name Plate: LAN: LP131NL (G176L)	1
22	G176 1482	Name Plate: LAN: SP4100NL (G176L)	1
23	G176 1468	Model Name Decal - NSA EU (G176/G177)	1
24	G177 1468	Model Name Decal- NSA (G176/G177)	1
25	G176 1480	Name Plate: NSA: SP4100NL (G176L)	1
26	G176 1469	Model Name Decal -REX (G176/G177)	1
27	G177 1469	Model Name Decal - REX (G176/G177)	1
28	G176 1481	Name Plate: REX: SP4100NL (G176L)	1
29	G176 1470	Model Name Decal-GESEU (G176/G177)	1
30	G177 1470	Model Name Decal- GES EU (G176/G177)	1
31	G176 1479	Name Plate: GES: SP4100NL (G176L)	1
32	G139 2690	Plate - Logo RIC (G176/G177)	1
33	G190 0410	Logotype: Ricoh: P3 (G176L)	1
34	GA00 1051	Plate: Logo: SVN	1
35	GA00 1052	Plate: Logo: GES	1

Index No.	Part No.	Description	Q'ty Per Assembly
36	GA00 1056	Plate: Logo: LAN	1
37	J007 1510	Logotype: Ricoh: TP-P1 (G176/G177)	1
38	J007 1511	Logotype: GES	1
39	J007 1512	Logotype: NSA	1
40	J007 1513	Logotype: REX	1

## 17.Special Tools (G176/G177)

<p><b>1</b></p> 	<p><b>2</b></p> 	<p><b>3</b></p> 
<p><b>4</b></p> 	<p><b>5</b></p> 	

### 17.Special Tools (G176/G177)

Index No.	Part No.	Description	Q'ty Per Assembly
1	A006 9104	Adjusting Scanner Pin (4pcs/set)	1
2	VSSM 9000	Digital Multimeter - FLUKE 187	1
3	B645 5010	SD-Card: Ass'y	1
4	B645 6700	SD-Card: Adapter: BN-SDAA2	1
5	B645 6800	SD-Card: USB: Writer: BN-SDCE2	1

Index No.	Part No.	Description	Q'ty Per Assembly





**G176/G177/G176L**  
**PARTS INDEX**



This section instructs you as to the numbers and names of parts on this machine.

## Parts Index

Part No.	Description	Page and Index No.
G176 1464	Modelname Plate - RIC (G176L)	5 - 25
G176 1464	Modelname Plate - RIC (G176L)	53 - 8
G176 1465	Model Name Decal - SVN (G176L)	5 - 25
G176 1465	Model Name Decal - SVN (G176L)	53 - 11
G176 1466	Model Name Decal -GES NA (G176L)	53 - 14
G176 1466	Model Name Decal -GES NA (G176L)	5 - 25
G176 1467	Model Name Decal- LAN NA (G176L)	5 - 25
G176 1467	Model Name Decal- LAN NA (G176L)	53 - 17
G176 1468	Model Name Decal - NSA EU (G176L)	53 - 23
G176 1468	Model Name Decal - NSA EU (G176L)	5 - 25
G176 1469	Model Name Decal -REX (G176L)	53 - 26
G176 1469	Model Name Decal -REX (G176L)	5 - 25
G176 1470	Model Name Decal-GESEU (G176L)	5 - 25
G176 1470	Model Name Decal-GESEU (G176L)	53 - 29
G176 1471	Model Name Decal- LAN EU (G176L)	5 - 25
G176 1471	Model Name Decal- LAN EU (G176L)	53 - 18
G176 1475	Name Plate: RIC: SP4100NL (G176L)	53 - 10
G176 1475	Name Plate: RIC: SP4100NL (G176L)	5 - 25
G176 1476	Name Plate: SVN: MLP31NL (G176L)	53 - 13
G176 1476	Name Plate: SVN: MLP31NL (G176L)	5 - 25
G176 1477	Name Plate: GES: P7031NL (G176L)	53 - 16
G176 1477	Name Plate: GES: P7031NL (G176L)	5 - 25
G176 1478	Name Plate: LAN: LP131NL (G176L)	5 - 25
G176 1478	Name Plate: LAN: LP131NL (G176L)	53 - 21
G176 1479	Name Plate: GES: SP4100NL (G176L)	53 - 31
G176 1479	Name Plate: GES: SP4100NL (G176L)	5 - 25
G176 1480	Name Plate: NSA: SP4100NL (G176L)	53 - 25
G176 1480	Name Plate: NSA: SP4100NL (G176L)	5 - 25
G176 1481	Name Plate: REX: SP4100NL (G176L)	5 - 25
G176 1481	Name Plate: REX: SP4100NL (G176L)	53 - 28
G176 1482	Name Plate: LAN: SP4100NL (G176L)	53 - 22
G176 1482	Name Plate: LAN: SP4100NL (G176L)	5 - 25
G176 5318	PCB: CTL: Sincere-P1C: Sub-Ass'y (G176L)	27 - 6
G176 5318	PCB: CTL: Sincere-P1C: Sub-Ass'y (G176L)	39 - *
G176 9590	NVRAM - Zero Counter	27 - 7

Part No.	Description	Page and Index No.
G177 1464	Modelname Plate - RIC (G176L)	53 - 9
G177 1464	Modelname Plate - RIC (G176L)	5 - 25
G177 1465	Model Name Decal- SVN (G176L)	5 - 25
G177 1465	Model Name Decal- SVN (G176L)	53 - 12
G177 1466	Model Name Decal- GES NA (G176L)	53 - 15
G177 1466	Model Name Decal- GES NA (G176L)	5 - 25
G177 1467	Model Name Decal- LAN NA (G176L)	53 - 19
G177 1467	Model Name Decal- LAN NA (G176L)	5 - 25
G177 1468	Model Name Decal- NSA (G176L)	5 - 25
G177 1468	Model Name Decal- NSA (G176L)	53 - 24
G177 1469	Model Name Decal - REX (G176L)	53 - 27
G177 1469	Model Name Decal - REX (G176L)	5 - 25
G177 1470	Model Name Decal- GES EU (G176L)	5 - 25
G177 1470	Model Name Decal- GES EU (G176L)	53 - 30
G177 1471	Model Name Decal -LAN EU (G176L)	5 - 25
G177 1471	Model Name Decal -LAN EU (G176L)	53 - 20
G177 5317	PCB: CTL: Sincere-P1C: Sub-Ass'y (G176L)	39 - *
G177 5317	PCB: CTL: Sincere-P1C: Sub-Ass'y (G176L)	27 - 6

Part No.	Description	Page and Index No.
A006 9104	Adjusting Scanner Pin (4pcs/set)	55 - 1
A267 2869	Gear - 16Z	9 - 12
B132 5836	Panel - Interface	27 - 18
B229 7180	Asic: Charango	39 - 1
B622 5825	Panel Knob Screw	27 - 3
B645 5010	SD-Card: Ass'y	55 - 3
B645 6700	SD-Card: Adapter: BN-SDAA2	55 - 4
B645 6800	SD-Card: USB: Writer: BN-SDCE2	55 - 5
G029 1975	Cylindrical Lens	7 - 25
G029 2609	Cassette Protection	9 - 18
G029 2657	Compression Spring	11 - 11
G052 1027	Spring Plate - Duplex Rail	21 - 23
G052 1042	Fusing Exit Feeler	21 - 4
G052 1044	Exit Feeler Holder	21 - 2
G052 1046	Spring - Fusing Exit Feeler	21 - 5
G052 1049	Bushing - Paper Exit	21 - 10
G052 1102	Drive Unit Bracket	23 - 2
G052 1104	Gear - Fusing 1	23 - 6
G052 1105	Gear - Fusing 2	23 - 20
G052 1107	Gear - Pulley - Fusing	23 - 14
G052 1108	Gear - Paper Feed 1	23 - 7
G052 1109	Gear - Paper Feed 2	23 - 8
G052 1110	Gear - Paper Feed 3	23 - 12
G052 1111	Gear - Paper Feed 4	23 - 11
G052 1112	Gear - Paper Feed 5	23 - 10
G052 1113	Gear - Paper Feed 6	23 - 9
G052 1120	Spring - Paper Exit Release	23 - 16
G052 1121	Drive Belt	23 - 17
G052 1123	Spacer - Drive Unit	23 - 18
G052 1212	Clip	7 - 1
G052 1251	Charge Terminal	15 - 24
G052 1252	Drum Terminal	25 - 13
G052 1253	Development Terminal	15 - 23
G052 1254	Inner Terminal - Charge	15 - 21
G052 1255	Charge Terminal - High Voltage	15 - 20

Part No.	Description	Page and Index No.
G052 1256	Development Terminal - High Voltage	15 - 22
G052 1272	Rear Cover Sw Bracket	21 - 6
G052 1273	Spring - Micro Switch	21 - 7
G052 1274	Micro Switch Lever	21 - 8
G052 1518	Spring - Lock Lever	5 - 19
G052 1541	Spring - Receptacle	5 - 22
G052 1542	Collar - Receptacle	5 - 23
G052 1544	Spring Plate - Receptacle	5 - 7
G052 2763	LD Holder	7 - 13
G052 2764	Spring - LD Unit	7 - 11
G052 2771	Right DTL Holder	7 - 7
G052 2772	Left DTL Holder	7 - 8
G052 2773	Cylindrical Lens Holder	7 - 15
G052 2774	Mirror Clamp	7 - 3
G052 2777	Spring Holder - Shield Glass	7 - 18
G052 2780	Shutter - LD	7 - 9
G052 3103	Paper Feed Roller	11 - 13
G052 3106	Bushing - Paper Feed Roller	11 - 12
G052 3257	Right Bushing - Registration	13 - 11
G052 3258	Left Bushing - Registration	13 - 1
G052 3278	Spring - Bypass	5 - 11
G052 3303	Paper Transport Roller	11 - 19
G052 3304	Spring Plate - Paper Transport	11 - 18
G052 3307	Transport Guide Mylar	11 - 23
G052 3351	Decal - Registration	13 - 16
G052 3351	Decal - Registration	53 - 2
G052 3356	Sheet - Soundproof	5 - 16
G052 3390	Toner End Sensor	13 - 13
G052 3396	Spring - Toner End Sensor	13 - 14
G052 3623	Transfer Terminal	15 - 9
G052 3624	Separation Terminal	15 - 10
G052 3625	Right Bushing - Transfer	15 - 4
G052 3626	Left Bushing - Transfer	15 - 3
G052 3627	Spring - Transfer	15 - 2
G052 4618	Bearing 30x42x7	17 - 6

Part No.	Description	Page and Index No.
G052 4622	Spring - Fusing Stripper	17 - 19
G052 4624	Hot Roller Stripper	17 - 20
G052 4639	Exit Roller Holder	17 - 27
G052 4647	Spring Plate - Fusing Exit	17 - 25
G052 4665	Bushing - Pressure Roller	19 - 4
G052 4676	Gear - Fusing Idler	19 - 5
G052 4677	Gear - Fusing Idler	19 - 6
G052 4691	Ground Plate - Fusing Pressure	19 - 14
G052 4692	Discharge Brush - Pressure	19 - 13
G052 4696	Right Fusing Lock Lever	21 - 26
G052 4697	Left Fusing Lock Lever	21 - 27
G052 4700	External Circlip	17 - 4
G052 4855	Pulley - Paper Exit	21 - 9
G052 4871	Left Holder - Exit Driven Roller	3 - 9
G052 4872	Right Holder - Exit Driven Roller	3 - 13
G052 4873	Outer Exit Cover Roller	3 - 10
G052 4875	Inner Exit Cover Roller	3 - 8
G052 4876	Left Spring Plate	3 - 11
G052 4877	Right Spring Plate	3 - 12
G052 5060	Synchronization Detector	7 - 27
G052 5362	Receptacle - 99RH144	5 - 6
G056 6005	HDD Cover	27 - 4
G088 1103	Gear: PCU	23 - 19
G088 1216	Cover: EGB	27 - 8
G088 2775	Shield: Harness	7 - 17
G088 2785	Cover: Optical Housing: Ass'y	7 - 21
G088 2789	Shield: Cover: Polygon Scanner	7 - 23
G088 4618	Electrode: Heater	17 - 16
G088 5353	IC: RL5C580	47 - 1
G096 1018	Transport Guide	15 - 11
G096 1019	Transport Guide Pin	15 - 1
G096 1021	Right Duplex Rail	21 - 24
G096 1022	Left Duplex Rail	21 - 25
G096 1031	Lower Fusing Heat Insulating Plate	25 - 7
G096 1041	Exit Bracket	21 - 14

Part No.	Description	Page and Index No.
G096 1043	Exhaust Sensor Feeler	21 - 16
G096 1081	Right Paper Tray Rail	21 - 20
G096 1082	Left Paper Tray Rail	21 - 21
G096 1085	Base Ground Plate	21 - 22
G096 1087	Paper Tray Spring Plate Ass'y	25 - 11
G096 1087	Paper Tray Spring Plate Ass'y	13 - 6
G096 1211	Egb Bracket	27 - 9
G096 1221	Power Supply Unit Bracket	25 - 6
G096 1241	Control Board Bracket Ass'y	27 - 17
G096 1257	Warning Cover (Electrical)	3 - 17
G096 1262	Exit Roller Ground Plate	21 - 13
G096 1271	Inlet Bracket	25 - 8
G096 1509	Paper Exit Sub-unit Ass'y	3 - 6
G096 1512	Exit Cover	3 - 7
G096 1517	Shutter Feeler	5 - 20
G096 1551	Misfeed Removal Decal	53 - 3
G096 1551	Misfeed Removal Decal	5 - 17
G096 3051	Paper Tray	9 - 30
G096 3052	Paper Tray Cover	9 - 6
G096 3055	Left Side Fence	9 - 11
G096 3056	Right Side Fence	9 - 13
G096 3060	Rear Paper Tray	9 - 27
G096 3063	Paper Tray Cap	9 - 25
G096 3065	Paper Tray Supporting Plate	9 - 28
G096 3066	Friction Pad Adhesion	9 - 17
G096 3070	Paper Volume Sensor Board	9 - 29
G096 3071	Paper Tray Arm	9 - 8
G096 3075	Paper Size Sensor Board	9 - 7
G096 3078	Protection Label	9 - 26
G096 3083	Spring Tension	9 - 9
G096 3084	Separation Compression Spring	9 - 16
G096 3085	End Fence	9 - 24
G096 3086	End Fence Lever	9 - 23
G096 3087	End Fence Protection	9 - 20
G096 3088	End Fence Pressure	9 - 19

Part No.	Description	Page and Index No.
G096 3089	End Fence Compression Spring 3.5N	9 - 22
G096 3090	End Fence Tension Spring 12N	9 - 21
G096 3094	Tape - Sheet : Tray	9 - 2
G096 3100	Paper Feed Stay	11 - 9
G096 3101	Paper Feed Shaft	11 - 8
G096 3104	Paper End Sensor Feeler	11 - 14
G096 3105	Paper Volume Sensor Feeler	11 - 16
G096 3106	Left Stay Cover	11 - 10
G096 3107	Right Stay Cover	11 - 17
G096 3111	Cassette Cover	3 - 18
G096 3144	Paper Set Direction Label	9 - 10
G096 3280	Manual Feed Frame	11 - 30
G096 3292	Spring - Manual Feed	11 - 26
G096 3294	Connecting Guide Plate	11 - 22
G096 3301	Support Plate Stay : Bypass	11 - 1
G096 3306	Connecting Guide Roller	11 - 21
G096 3315	Driven Registration Roller Mm14	13 - 9
G096 3335	Paper Feed Ground Plate	11 - 6
G096 3336	Registration Drive Ground Plate	13 - 5
G096 3337	Auxiliary Ground Plate	11 - 4
G096 3338	Ground Plate - Registration	25 - 12
G096 3345	Registration Guide	15 - 7
G096 3346	Registration Guide Long	15 - 8
G096 3621	Separation Electrode Plate	15 - 5
G096 3622	Electrode Plate Cover	15 - 6
G096 3628	Transport Guide Ground Plate	15 - 18
G096 3629	Transport Terminal Guide	15 - 19
G096 3640	Transfer Guide Plate Ass'y	15 - 16
G096 3641	Transfer Guide Plate Sheet	15 - 17
G096 4611	Thermostat Ass'y	17 - 12
G096 4615	Left Fusing Lampbracket	17 - 15
G096 4616	Right Heater Bracket	17 - 21
G096 4635	Upper Fusing Exit Guide Plate	17 - 26
G096 4638	Exit Roller Supporting Plate	17 - 17
G096 4674	Fusing Exit Roller	19 - 12

Part No.	Description	Page and Index No.
G096 4692	Fusing Right Cover	17 - 22
G096 4695	Upper Harness Plate	17 - 14
G096 4850	Exit Roller	21 - 11
G096 4888	Exit Brush Discharge	21 - 15
G096 5501	Fusing Thermistor	17 - 10
G096 5506	Inlet - EU	25 - 16
G102 5502	Power Supply Cord: EU	25 - 9
G104 5141	Knob Screw: M3	27 - 1
G108 5107	Left Guide 1	27 - 21
G108 5108	Right Guide 1	27 - 22
G110 5501	Inlet: JPN: Ass'y	25 - 16
G111 1055	Supporter	27 - 20
G111 1910	Caution Decal - Laser	7 - 22
G111 1910	Caution Decal - Laser	53 - 4
G111 5419	Harness - Power Pack	25 - 10
G116 4159	Screw: M3x13	11 - 31
G128 1151	Decal: Warning (High Temperature)	21 - 28
G128 1151	Decal: Warning (High Temperature)	53 - 5
G129 1051	Fan Motor Mm92: 24V	25 - 15
G129 1902	Shield Glass	7 - 24
G129 2551	Magnetic Clutch: 1turn: Z41	23 - 5
G129 2552	Paper Feed Roller: Manual Feed	11 - 28
G129 3522	Discharge Lamp: Cassis	21 - 17
G129 4102	Pressure Spring - Fusing	19 - 2
G129 5205	Choke Coil	25 - 17
G129 5300	Power Pack: Bct: Rohs	25 - 5
G129 6251	Positioning Roller - Transfer	15 - 15
G129 6252	Gear - Transfer Roller	15 - 13
G129 6255	Bushing	15 - 25
G129 6257	Transfer Roller	15 - 14
G129 6260	Transfer Roller Ass'y	15 - 12
G139 2690	Plate - Logo RIC (G176L)	5 - 12
G139 2690	Plate - Logo RIC (G176L)	53 - 32
G168 1915	Laser Diode Unit	7 - 12
G168 1922	Holder: Sync Detector	7 - 26

Part No.	Description	Page and Index No.
G168 5115	SD-Cardcover	27 - 5
G175 0019	Power Supply Unit - 120V	25 - 4
G175 0020	Power Supply Unit - 230V	25 - 4
G175 0126	Pressure Roller	19 - 9
G175 0179	Heater - 765W 230V	17 - 3
G175 0180	Heater - 765W 120V	17 - 3
G175 1032	Heat Insulating Plate - Front	21 - 18
G175 1050	Brushless Motor - DC 31W	23 - 1
G175 1056	Drawer Bracket - Fusing	25 - 1
G175 1106	Gear - 45Z	23 - 13
G175 1219	Rear Cover	3 - 14
G175 1229	Rear Cover - EU	3 - 14
G175 1250	Left Cover - NA	3 - 2
G175 1251	Harness Cover	5 - 21
G175 1253	Left Cover - EU	3 - 2
G175 1255	Lower Seal - Rear Cover	3 - 20
G175 1256	Left Seal - Rear Cover	3 - 21
G175 1257	Right Seal - Rear Cover	3 - 22
G175 1258	Upper Seal - Rear Cover	3 - 1
G175 1260	Front Door - EU	5 - 13
G175 1280	Door: Ass'y	5 - 13
G175 1400	Operation Panel (G176L)	3 - 3
G175 1401	Operation Panel: English: L: Ass'y (G176L)	3 - 3
G175 1406	Slide Guide	3 - 19
G175 1450	Right Cover	3 - 16
G175 1452	Upper Cover	3 - 5
G175 1466	Door: Front	5 - 15
G175 1516	Door Lever	5 - 18
G175 1650	Right Cover - EU	3 - 16
G175 1651	Louver	3 - 15
G175 1652	Upper Cover - EU	3 - 5
G175 1904	Imaging Unit	7 - 2
G175 2551	Photosensor	13 - 7
G175 2554	Spring Clutch Bracket	23 - 4
G175 2555	Harness Holder	23 - 21

Part No.	Description	Page and Index No.
G175 2585	Magnetic Clutch - Registration	13 - 3
G175 2587	Paper Feed Clutch	11 - 33
G175 2767	Feed Roller Cover	11 - 29
G175 2818	Tray Bottom Plate	9 - 14
G175 3050	Paper Tray Unit	9 - 1
G175 3058	Traysheet	9 - 31
G175 3138	Spacer - Paper Feed	11 - 2
G175 3139	Magnetic Clutch Stopper	11 - 32
G175 3209	Magnetic Clutch	23 - 3
G175 3266	Upper Guide Plate - Registration	13 - 15
G175 3267	Cleaner Film - Registration	13 - 10
G175 3268	Registration Sensor Bracket	13 - 8
G175 3270	Table Unit - Manual Feed	5 - 1
G175 3271	Manual Feed Table: L: Ass'y (G176L)	5 - 1
G175 3272	Cover: Manual Feed Table	5 - 10
G175 3276	Side Fence: Manual Feed: Right	5 - 3
G175 3277	Side Fence: Manual Feed: Left	5 - 2
G175 3286	Manual Feed Feeler	11 - 25
G175 3290	Friction Pad - Manual Feed	11 - 27
G175 3316	Registration Roller - Drive	13 - 17
G175 3332	Relay Roller	11 - 20
G175 3341	Extension Tray: Manual Feed	5 - 9
G175 3342	Extension Tray: Manual Feed: L (G176L)	5 - 9
G175 3539	Thermistor- Transfer	5 - 24
G175 4063	Hot Roller	17 - 7
G175 4118	Fusing Unit: NA: Ass'y	17 - 1
G175 4127	Fusing Unit: EU: Ass'y	17 - 1
G175 4181	Pressure Lever Shaft	19 - 18
G175 4182	Left Pressure Lever	19 - 17
G175 4183	Right Pressure Lever	19 - 16
G175 4602	Electrode Plate - Right	17 - 13
G175 4619	Gear - 41Z	17 - 5
G175 4625	Holder Plate - Fusing Harness	17 - 11
G175 4642	Discharge Brush - Bearing	17 - 23
G175 4644	Entrance Guide Plate - Upper	17 - 2



Part No.	Description	Page and Index No.
G175 4650	Pressure Frame	19 - 8
G175 4662	Pressure Roller Lever	19 - 3
G175 4673	Gear - 15Z	19 - 10
G175 4681	Fusing Entrance Guide Plate	19 - 7
G175 4690	Ground Plate - Fusing	17 - 24
G175 4693	Decal - High Temperature	19 - 15
G175 4693	Decal - High Temperature	53 - 6
G175 4698	Fusing Left Cover	19 - 1
G175 5101	Control Board Panel	27 - 2
G175 5400	Interface Harness - FST	11 - 7
G175 5401	Motor Sensor Harness	27 - 15
G175 5403	Synchronize Detectorharness	7 - 16
G175 5404	Harness - Toner End Sensor	13 - 12
G175 5406	Operation Panelharness	3 - 4
G175 5407	Harness- Power Source	25 - 3
G175 5409	Main Switch Harness - NA	25 - 14
G175 5410	Safety Switch Harness	27 - 16
G175 5411	Main Switch Harness - EU	25 - 14
G175 5412	Harness -Paper Feed	27 - 13
G175 5413	Exit Sensorharness	21 - 1
G175 5414	Harness- Duplex	27 - 11
G175 5416	Harness - Fusing 120V	25 - 2
G175 5417	Fusing Harness - 230V	25 - 2
G175 5500	Fusingdrawer - NA	17 - 8
G175 5510	Fusingdrawer - 230V	17 - 8
G175 5520	Harness - Fusing Unit Set 120V	17 - 9
G175 5521	Harness - Fusing Set 230V	17 - 9
G175 5602	Engine Board - LT (G176L)	47 - *
G175 5602	Engine Board - LT (G176L)	27 - 10
G175 5603	Engine Board - LT (G176L)	27 - 10
G175 5603	Engine Board - LT (G176L)	47 - *
G175 5604	Engine Board - A/B (G176L)	27 - 10
G175 5604	Engine Board - A/B (G176L)	47 - *
G175 5605	Engine Board - A/B (G176L)	27 - 10
G175 5605	Engine Board - A/B (G176L)	47 - *

Part No.	Description	Page and Index No.
G175 5606	PCB: EGB: NA: L (G176L)	27 - 10
G175 5606	PCB: EGB: NA: L (G176L)	47 - *
G175 5607	PCB: EGB: EU: L (G176L)	47 - *
G175 5607	PCB: EGB: EU: L (G176L)	27 - 10
G190 0410	Logotype: Ricoh: P3 (G176L)	5 - 12
G190 0410	Logotype: Ricoh: P3 (G176L)	53 - 33
G330 5750	SDRAM-DIMM- 64MB	27 - 19
G360 3091	Tray Sheet 1	9 - 3
G360 3092	Tray Sheet 2	9 - 4
G360 3093	Tray Sheet 3	9 - 5
G555 3069	Basepad	9 - 15
G800 3035	Push SW - Paper Size	27 - 14
G800 3133	Side Fence Gear	5 - 8
G800 4851	Bushing	21 - 12
G800 4851	Bushing	19 - 11
G800 4854	Exit Roller	17 - 28
J007 1510	Logotype: Ricoh: TP-P1 (G176L)	53 - 37
J007 1510	Logotype: Ricoh: TP-P1 (G176L)	5 - 12
J007 1511	Logotype: GES	53 - 38
J007 1511	Logotype: GES	5 - 12
J007 1512	Logotype: NSA	5 - 12
J007 1512	Logotype: NSA	53 - 39
J007 1513	Logotype: REX	5 - 12
J007 1513	Logotype: REX	53 - 40

Part No.	Description	Page and Index No.
R013 1097	Clamp	27 - 12

Part No.	Description	Page and Index No.
AA00 0301	Decal Warning (High Temperature)	53 - 1
AA00 0301	Decal Warning (High Temperature)	17 - 18
AA06 3539	Spring - Registration Roller	13 - 2
AA08 2058	Bushing - 6x10x9mm	11 - 5
AA08 2075	Bushing - M6	11 - 3
AA08 2144	Bushing - 8x12x7	13 - 4
AG07 1007	Latch - By Pass Feed Table	5 - 14
AW02 0141	Photointerruptor	11 - 15
AW02 0145	Photointerruptor: Flat	11 - 24
GA00 0055	Decal: PS: PDF: E_Star	53 - 7
GA00 0055	Decal: PS: PDF: E_Star	5 - 4
GA00 1051	Plate: Logo: SVN	5 - 12
GA00 1051	Plate: Logo: SVN	53 - 34
GA00 1052	Plate: Logo: GES	5 - 12
GA00 1052	Plate: Logo: GES	53 - 35
GA00 1056	Plate: Logo: LAN	5 - 12
GA00 1056	Plate: Logo: LAN	53 - 36
GC01 5005	Shield Glass - Polygon Motor	7 - 19
GC02 5010	DTL	7 - 6
GC02 5011	Cylindrical Lens	7 - 14
GC03 0026	Mirror - 1	7 - 4
GC03 0027	Mirror - 2	7 - 5
GC03 0028	Mirror - Sync Detector	7 - 10
GH01 0007	Rubber Foot - FF-006(P4070)N	21 - 19
GW02 0020	Photointerruptor: LG248NL1	21 - 3
GX06 0029	Polygon Scanner Motor: DC24V 24W	7 - 20
GY20 0012	IC: E-MAC2	47 - 2

Part No.	Description	Page and Index No.
VSSM 9000	Digital Multimeter - FLUKE 187	55 - 2

Part No.	Description	Page and Index No.
0352 5080N	Screw: M2.5x8	27 - 106
0353 0040N	Screw - M3x4	27 - 105
0450 3008N	Tapping Screw - M3x8	27 - 103
0450 3008N	Tapping Screw - M3x8	17 - 101
0450 3008N	Tapping Screw - M3x8	15 - 102
0450 3008N	Tapping Screw - M3x8	21 - 101
0450 3008N	Tapping Screw - M3x8	13 - 101
0450 3008N	Tapping Screw - M3x8	11 - 101
0450 3008N	Tapping Screw - M3x8	9 - 101
0450 3008N	Tapping Screw - M3x8	19 - 101
0450 3008N	Tapping Screw - M3x8	7 - 102
0450 3008N	Tapping Screw - M3x8	25 - 101
0450 3008N	Tapping Screw - M3x8	5 - 101
0450 3008N	Tapping Screw - M3x8	3 - 103
0450 3008N	Tapping Screw - M3x8	25 - 104
0450 3010N	Tapping Screw - M3x10	23 - 101
0450 3010N	Tapping Screw - M3x10	11 - 102
0450 3010N	Tapping Screw - M3x10	17 - 103
0450 3010N	Tapping Screw - M3x10	19 - 102
0450 3012N	Tapping Screw: 3x12	7 - 103
0450 3012N	Tapping Screw: 3x12	21 - 102
0450 3012N	Tapping Screw: 3x12	25 - 102
0450 3012N	Tapping Screw: 3x12	15 - 101
0450 3012N	Tapping Screw: 3x12	17 - 102
0450 4010N	Tapping Screw: M4x10	23 - 103
0450 4010N	Tapping Screw: M4x10	25 - 107
0450 4010N	Tapping Screw: M4x10	3 - 102
0451 3006N	Tapping Screw - 3x6	25 - 103
0451 3006N	Tapping Screw - 3x6	3 - 101
0451 3006N	Tapping Screw - 3x6	27 - 101
0451 3008N	Tapping Screw - M3x8	11 - 104
0451 3014N	Tapping Screw: 3x14	21 - 103
0451 4006N	Tapping Screw - 4x6	25 - 105
0454 3006Q	Tapping Screw - M3x6	25 - 108
0712 0030N	Hexagonal Nut: M3	7 - 105

Part No.	Description	Page and Index No.
0805 0088	Retaining Ring - M6	13 - 102
0805 0089	Retaining Ring - M4	9 - 102
0805 0089	Retaining Ring - M4	23 - 104
0805 0089	Retaining Ring - M4	11 - 103
0950 4006N	Screw - M4x6	25 - 109
0951 3016N	Screw: Polished Round: M3x16	7 - 104
0954 3008N	Screw - M3x8	17 - 104
0954 3010N	Screw: Polished Round/Spring: M3x10	17 - 105
1102 4201	Connector - 2P	47 - 101
1102 4202	Connector - 3P	47 - 102
1102 4203	CT Header - 4P	39 - 101
1102 4203	CT Header - 4P	47 - 103
1102 4205	CT Header - 6P	47 - 104
1102 4207	Connector - 8P	47 - 105
1102 4559	Connector - 3P	21 - 107
1102 4631	CT Connector - 2P	47 - 106
1102 4643	CT Connector - 2P	47 - 107
1102 5943	Connector - 2P	47 - 108
1102 6295	Connector - 2P	47 - 109
1102 6306	Connector - 13P	47 - 110
1102 6592	Connector - 8P	47 - 111
1102 7615	Connector - B8B-XH-A	39 - 102
1102 7625	Connector - TX24-80R-LT-N1	39 - 103
1102 7626	Connector - TX25-80P-LT-N1	47 - 112
1102 8329	Connector - USB - UBB-4R-D14C	39 - 104
1102 8356	Connector - FX2MAB-44P	39 - 105
1102 8832	Connector - DM-3D4-B3210	39 - 106
1102 9079	Connector - RHM-88PL-SDK11-1	39 - 107
1102 9336	Connector: FPS009-2300-0	39 - 108
1102 9650	Connector - DHA-RAA36-R21VN	39 - 109
1102 9890	Connector: 5-1605706-2	39 - 110
1103 3849	Connector: 52610-1015	47 - 113
1103 3983	Connector	47 - 114
1103 3987	Connector	47 - 115
1103 3988	Connector	47 - 116

Part No.	Description	Page and Index No.
1103 3989	Connector	47 - 117
1103 3990	Connector	47 - 118
1103 3999	Connector	47 - 119
1103 4002	Connector	47 - 120
1104 0764	IC Socket - 8 PIN	47 - 121
1104 0821	IC Socket: 16008-B0A0020N	39 - 111
1105 0229	Clamp	7 - 101
1105 0292	Wire Saddle	27 - 109
1105 0292	Wire Saddle	23 - 102
1105 0292	Wire Saddle	25 - 111
1105 0487	Harness Clamp	21 - 104
1105 0487	Harness Clamp	27 - 107
1105 0487	Harness Clamp	25 - 110
1105 0516	Clamp	27 - 108
1105 0516	Clamp	21 - 105
1105 0516	Clamp	25 - 112
1109 0039	Circuit Protector - ICP-S2.3	47 - 122
1150 0373	Power Supply Code: 125V 15A NA	25 - 106
1204 1541	Dip Switch	47 - 123
1204 2521	Micro Switch	27 - 104
1204 2521	Micro Switch	21 - 106
1204 2628	Switch 250V/10A	25 - 113
1204 2756	Dip Switch: NDI-04H-V	39 - 112
1206 0112	Primary Lithium Cell: CR1632/1F2	39 - 113
1400 0571	Transistor - 2SA1577	47 - 124
1400 0688	Transistor -DTC143ZUA	47 - 125
1400 0767	Transistor: DTA114EUA	47 - 126
1400 0801	Transistor - DTC113ZUA	47 - 127
1401 0972	Transistor-2SB1260	47 - 128
1401 1228	Fet: SI3433DV-E3	39 - 114
1401 1296	Fet: TPC8115	39 - 115
1402 0545	Diode - 1SS244	47 - 129
1402 1336	Diode - 1SS355	47 - 130
1402 1511	Zenerdiode - MTZJ13B	47 - 131
1402 1664	Diode - HSU83	39 - 116

Part No.	Description	Page and Index No.
1402 1909	Diode: SDB310D	39 - 117
1402 1911	Diode - SDS511	39 - 118
1403 1131	LED: SML-311UT	39 - 119
1407 2187	TTLIC - SN74LS07NS	47 - 132
1407 2219	IC - TD62003AP	47 - 133
1407 4919	IC - 74VHCT244 TSSOP	39 - 120
1407 5140	IC: TC74VHCT14AF	39 - 121
1407 5161	CPU- HD64F2633WF25	47 - 134
1407 5271	Eeprom - M24C02-BN6	47 - 135
1407 5300	CMOS Logic - 74LVC16244A TSSOP	39 - 122
1407 5344	IC - SN74LV02APW	39 - 123
1407 5351	IC - SN74LV14APW	39 - 124
1407 5369	IC - SN74AHCT32PW	39 - 125
1407 5469	IC - SN74LV07APW	39 - 126
1407 5482	IC - SN74LVC07APW	39 - 127
1407 5508	IC - SN74LV125APW	39 - 128
1407 5511	IC - SN74LVC14APW	39 - 129
1407 5520	IC - SN74LVC125APW	39 - 130
1407 5523	ROM - I2C SOP 3V	39 - 131
1407 5604	IC - SN74LVC16245ADGG	39 - 132
1407 5868	Ethernet Cont LSI - DP83847ALQA56A	39 - 133
1407 5960	IC - SN74LVCZ161284ADGG	39 - 134
1407 6100	IC: SN74LVC1G04DCK	39 - 135
1407 6123	IC SN74LVC2G125DCU	39 - 136
1407 6132	IC: SN74LVC1G08DCK	39 - 137
1407 6145	IC: SN74LVC373APW	39 - 138
1407 6187	CMOS Logic - SN74LVC1G07DCK	39 - 139
1407 6203	CMOS Logic - SN74LVC3G07DCT	39 - 140
1407 6205	CMOS Logic - SN74LVC1G06DCK	39 - 141
1407 6265	Real Time Clock: R2025S	39 - 142
1407 6305	CPU - RM5231A-400L	39 - 143
1407 6400	Clock Generator - ICS960013BFLF	39 - 144
1407 6465	RAM: FM25I256-PG(REV.AG)	39 - 145
1407 6468	CMOS Logic: SN74AHCT1G126DCK	39 - 146
1407 6562	IC - SN74LVC1G126DCK	39 - 147

Part No.	Description	Page and Index No.
1408 1770	Series Regulator - R5323N013A	47 - 136
1408 1778	IC: R3112Q101A	39 - 148
1408 1815	IC - R3112Q151A	39 - 149
1408 1826	IC - R3112Q421A	39 - 150
1408 1834	IC - R5510H011N	47 - 137
1408 1911	Comparator - LM2903PW	47 - 138
1408 2053	IC: R3112Q291A-FA	39 - 151
1408 2096	IC - BD9103FVM	39 - 152
1408 2213	DC/DC Converter - H8D3214	39 - 153
1502 0063	Buzzer: PKM22EPPH4002-B0	39 - 154
1503 0697	Crystal Oscillator MA-406 20MHz	47 - 139
1503 0842	Oscillator - 14.31818MHz	39 - 155
1503 1138	Crystal Oscillator - 48MHz	39 - 156
1503 1309	Crystal Oscillator - 25MHz	39 - 157
1601 7752	Resistor Array - 10K $\Omega$ $\pm$ 5%	47 - 140
1601 7791	Resistor Array - 1K $\Omega$ $\pm$ 5%	47 - 141
1601 7866	Resistor Array - 150 $\Omega$ $\pm$ 5%	47 - 142
1601 7871	Resistor - 68 $\Omega$ $\pm$ 5% 1/16W	47 - 143
1601 7898	Resistor Array	47 - 144
1604 4728	Capacitor - 100 $\mu$ F $\pm$ 20% 16V	39 - 158
1604 4730	Capacitor - 47 $\mu$ F $\pm$ 20% 50V	47 - 145
1604 4733	Capacitor - 100 $\mu$ F $\pm$ 20% 10V	47 - 146
1604 4955	Capacitor - 10 $\mu$ F $\pm$ 20% 16V	47 - 147
1604 5065	Capacitor 10 $\mu$ F: $\pm$ 20%: 50V	47 - 148
1604 5135	Capacitor - 1000 $\mu$ F $\pm$ 20% 10V	39 - 159
1605 0976	Capacitor - 1 $\mu$ F +80% -20% 10V	47 - 149
1605 1124	Capacitor - 4.7 $\mu$ F +80 -20% 10V	39 - 160
1605 1148	Capacitor - 0.1 $\mu$ F +80-20% 50V	47 - 150
1605 1163	Ceramic Capacitor - 560PF: $\pm$ 5%: 50V	47 - 151
1605 1190	Resistor - 0.022 $\mu$ F $\pm$ 10% 50V	47 - 152
1605 1194	Capacitor: 3pF: $\pm$ 0.25PF: 50V	39 - 161
1605 1199	Capacitor - 8pF $\pm$ 0.5pF 50V	39 - 162
1605 1200	Capacitor - 10pF $\pm$ 0.5pF 50V	39 - 163
1605 1204	Capacitor-pF50V	39 - 164
1605 1205	Capacitor - 33pF $\pm$ 5% 50V	39 - 165

Part No.	Description	Page and Index No.
1605 1208	Capacitor: 100pF: ±5%: 50V	39 - 166
1605 1211	Capacitor - 220pF ±10% 50V	39 - 167
1605 1212	Capacitor - 470pF ±10% 50V	39 - 168
1605 1214	Capacitor - 1000pF ±10% 50V	47 - 153
1605 1214	Capacitor - 1000pF ±10% 50V	39 - 169
1605 1221	Capacitor - 0.1 μF+80-20%16V	47 - 154
1605 1221	Capacitor - 0.1 μF+80-20%16V	39 - 170
1605 1240	Capacitor - 0.01μF ±10% 25V	39 - 171
1605 1289	Capacitor - 0.1μF ±10% 10V	39 - 172
1605 1295	Capacitor: 10μF: +80-20%: 10V	39 - 173
1605 1296	Capacitor - 330pF ±10% 50V	39 - 174
1605 1303	Capacitor - 0.01μF +80-20% 50V	39 - 175
1605 1303	Capacitor - 0.01μF +80-20% 50V	47 - 155
1605 1305	Capacitor - 1μF +80-20% 6.3V	39 - 176
1605 1306	Capacitor - 1μF ±10% 10V	39 - 177
1605 1307	Capacitor - 2.2μF +80-20% 11V	39 - 178
1605 1344	Capacitor - 33pF ±5% 50V	39 - 179
1605 1353	Capacitor - 0.1μF ±10% 25V	47 - 156
1605 1391	Capacitor - 22μF: ±20%: 6.3V	39 - 180
1605 1406	Capacitor - 10μF ±10% 6.3V	39 - 181
1605 1447	Resistor - 470pF ±5% 50V	39 - 182
1605 1474	Capacitor - 47μF ±20% 6.3V	39 - 183
1605 1597	Capacitor: 2.2μF: +80-20%: 50V	39 - 184
1607 0810	Filter - BK2125HS121	47 - 157
1607 0978	Inductor - BLM21P300SPB	39 - 185
1607 1051	Filter -FBMJ2125HS420	39 - 186
1607 1061	Filter - BLM11P300SPB	39 - 187
1607 1076	Filter - MMZ1608Y152B	47 - 158
1607 1196	Inductor -220UH ±20% 0.33A	47 - 159
1607 1241	Filter - MMZ1608R102C	47 - 160
1607 1362	Coil - ACM3225-800-2P	39 - 188
1607 1477	Inductor - RLF7030-4R7M3R4	39 - 189
1607 1489	Filter - MMZ1608B301C	47 - 161
1607 1714	Ferrite Core: RFC-6	27 - 102
1607 1714	Ferrite Core: RFC-6	7 - 107

Part No.	Description	Page and Index No.
1607 1715	Ferrite Core - RFC-5	3 - 104
1609 0005	Resistor: 33 Ω: ±5%: 1/16W	39 - 190
1609 0006	Resistor: 10K Ω: ±5%: 1/16W	39 - 191
1609 0011	Resistor: 22Ω: ±5%: 1/16W	39 - 192
1609 0016	Resistor: 56 Ω: ±5%: 1/16W	39 - 193
1609 0026	Resistor - 47Ω ±5% 1/16W	39 - 194
1609 0096	Resistor Array: 10KΩ: ±5%: 1/16W: 4Number	39 - 195
1609 0098	Resistor Array: 33Ω: ±5%: 1/16W: 4Number	39 - 196
1609 0101	Resistor Array: 47Ω: ±5%: 1/16W: 4Number	39 - 197
1609 0110	Resistor Array: 10 Ω: ±5%: 1/16W: 4Number	39 - 198
1609 0111	Resistor Array: 1kΩ: ±5%: 1/16W: 4Number	39 - 199
1609 0114	Resistor Array: 68Ω: ±5%: 1/16W: 4Number	39 - 200
1610 1377	Resistor - 0.1 Ω ±2% 1/2W	39 - 201
1610 1409	Chip Resistor - 6.8Ω ±5%	47 - 162
1610 1732	Resistor: 270 Ω: ±5%: 1W: 6332	47 - 163
1610 1871	Resistor - 0.22 Ω ±1%	39 - 202
1611 8472	Resistor - 4.7K Ω	47 - 164
1632 0000	Resistor - 0 Ω 1/8W	39 - 203
1633 0000	Resistor - 0 Ω 1/10W	39 - 204
1634 0000	Resistor - 0 Ω 1/16W	39 - 205
1634 0000	Resistor - 0 Ω 1/16W	47 - 165
1650 4100	Resistor - 10Ω ±5% 1/10W	47 - 166
1650 4101	Resistor - 100Ω±5%1/10W	47 - 167
1650 4102	Resistor - 1KΩ ±5% 1/10W	39 - 206
1650 4102	Resistor - 1KΩ ±5% 1/10W	47 - 168
1650 4103	Resistor - 10KΩ ±5% 1/10W	47 - 169
1650 4122	Resistor - 1.2KΩ ±5% 1/10W	47 - 170
1650 4153	Resistor - 15K Ω ±5% 1/10W	47 - 171
1650 4201	Resistor - 200Ω±5%1/10W	47 - 172
1650 4220	Chip Resistor - 22Ω ±5% 1/10W	39 - 207
1650 4222	Resistor - 2.2KΩ±5%1/10W	47 - 173
1650 4300	Resistor - 30Ω±5%1/10W	47 - 174
1650 4302	Resistor - 3KΩ±5%1/10W	47 - 175
1650 4330	Chip Resistor - 33Ω ±5% 1/10W	39 - 208
1650 4330	Chip Resistor - 33Ω ±5% 1/10W	47 - 176

Part No.	Description	Page and Index No.
1650 4431	Resistor - 430Ω±5% 1/10W	47 - 177
1650 4470	Resistor - 47Ω±5% 1/10W	39 - 209
1650 4471	Resistor - 470Ω±5% 1/10W	47 - 178
1650 4472	Resistor - 4.7KΩ ±5% 1/10W	47 - 179
1650 4473	Resistor - 47KΩ±5% 1/10W	47 - 180
1650 4563	Resistor - 56KΩ±5% 1/10W	47 - 181
1650 4622	Resistor: 6.2KΩ: ±5%: 1/10W	47 - 182
1650 4680	Resistor - 68Ω±5% 1/10W	47 - 183
1650 4681	Resistor - 680Ω ±5% 1/10W	47 - 184
1650 5100	Chip Resistor - 10 Ω±5% 1/16W	39 - 210
1650 5101	Chip Resistor - 100 Ω±5% 1/16W	39 - 211
1650 5102	Chip Resistor - 1KΩ±5% 1/16W	39 - 212
1650 5103	Chip Resistor - 10KΩ±5% 1/16W	39 - 213
1650 5104	Chip Resistor - 100KΩ±5% 1/16W	39 - 214
1650 5109	Chip Resistor 1Ω ±5% 1/16W	39 - 215
1650 5122	Chip Resistor - 1.2KΩ±5% 1/16W	39 - 216
1650 5182	Chip Resistor - 1.8KΩ±5% 1/16W	39 - 217
1650 5203	Resistor - 20KΩ ±5% 1/16W	39 - 218
1650 5220	Resistor - 22Ω ±5% 1/16W	39 - 219
1650 5221	Chip Resistor - 220Ω±5% 1/16W	39 - 220
1650 5222	Resistor - 2.2KΩ ±5% 1/16W	39 - 221
1650 5271	Chip Resistor 270Ω ±5% 1/16w	39 - 222
1650 5272	Chip Resistor: 2.7KΩ: ±5%: 1/16W	39 - 223
1650 5330	Chip Resistor - 33Ω±5% 1/16W	39 - 224
1650 5332	Resistor - 3.3KΩ ±5% 1/16W	39 - 225
1650 5470	Chip Resistor 47Ω ±5% 1/16w	39 - 226
1650 5472	Chip Resistor: 4.7KΩ: ±5%: 1/16W	39 - 227
1650 5473	Chip Resistor - 47KΩ ±5% 1/16W	39 - 228
1650 5512	Chip Resistor 5.1kΩ ±5% 1/16w	39 - 229
1650 5560	Chip Resistor 56Ω ±5% 1/16W	39 - 230
1650 5562	Chip Resistor: 5.6KΩ: ±5%: 1/16W	39 - 231
1650 5621	Chip Resistor 620Ω ±5% 1/16w	39 - 232
1650 5680	Resistor - 68Ω ±5% 1/16W	39 - 233
1650 5683	Chip Resistor 68KΩ ±5% 1/16W	39 - 234
1650 5820	Chip Resistor: 82Ω: ±5%: 1/16W	39 - 235

Part No.	Description	Page and Index No.
1650 5822	Chip Resistor: 8.2KΩ: ±5%: 1/16W	39 - 236
1653 4999	Resistor - 49.9Ω ±1% 1/8W	39 - 237
1653 5499	Resistor - 54.9Ω ±1% 1/8W	39 - 238
1654 1002	Resistor - 10KΩ±5% 1/10W	47 - 185
1654 1004	Chip Resistor - 1MΩ ±1% 1/10W	39 - 239
1654 1102	Resistor - 11KΩ±1% 1/10W	39 - 240
1654 1501	Resistor - 1.5K Ω ±1% 1/10W 1608	39 - 241
1654 1502	Resistor - 15KΩ±1% 1/10W	39 - 242
1654 3002	Resistor - 30KΩ±1% 1/10W	39 - 243
1654 3909	Resistor - 39Ω±1% 1/10W	39 - 244
1654 4301	Resistor - 4.3KΩ±1% 1/10W	47 - 186
1654 5101	Resistor - 5.1KΩ±1% 1/10W	39 - 245
1654 6800	Resistor - 680 Ω ±1% 1/10W	39 - 246
1654 6801	Resistor - 6.8KΩ±1% 1/10W	47 - 187
1655 0000	Chip Resistor - 0Ω±0% 1/16W	39 - 247
1655 1002	Chip Resistor - 10KΩ±1% 1/16W	39 - 248
1655 1502	Resistor - 15KΩ ±1% 1/16W	39 - 249
1655 1651	Resistor: 1.65K Ω: ±1%: 1/16W: 1005	39 - 250
1660 0100	Capacitor - 10pF ±0.5pF 50V	47 - 188
1660 2101	Capacitor - 100pF - ±10% - 50V	47 - 189
1660 2220	Capacitor - 22pF ±20% 35V	47 - 190
1660 2221	Capacitor - 220pF +80-20% 50V	47 - 191
1660 2330	Capacitor - 33pF - ±5% - 50V	47 - 192
1660 2391	Capacitor - 390pF ±5% 50V	47 - 193
1660 2471	Capacitor - 470pF - ±5% - 50V	39 - 251
1660 2471	Capacitor - 470pF - ±5% - 50V	47 - 194
1660 4102	Capacitor - 1000pF ±10% 50V	47 - 195
1660 4103	Capacitor - 10000pF - ±10% - 50V	47 - 196
1660 4222	Capacitor - 2200pF - ±10% - 50V	47 - 197
1660 4332	Capacitor - 3300pF - ±10% - 50V	47 - 198
1660 4472	Capacitor - 4700pF±10% 50V	39 - 252
1660 6103	Capacitor - 10000pF - +80%-20% 50V	39 - 253
1660 8104	Capacitor - 0.1μF ±20% 25V	39 - 254
1660 8104	Capacitor - 0.1μF ±20% 25V	47 - 199
1902 0056	RAM - 256K X870NS G14	47 - 200

Part No.	Description	Page and Index No.
1906 0105 1907 0013	Flash Memory: S29GL128N10TFI020 SDRAM: 256m: 4mx16x4: 133MHz: G1	39 - 255 39 - 256
5215 2713 5353 1803	Bottom Plate Pad Wave Washer	5 - 5 23 - 15

Part No.	Description	Page and Index No.



